




2502907

EN	19" 60V Self-propelled Lawn Mower	USER'S MANUAL	1
DE	19" 60V Rasenmäher mit Eigenantrieb	BEDIENUNGSANLEITUNG	8
ES	Cortacésped Auto-propulsado 19" 60V	MANUAL DE UTILIZACIÓN	15
IT	Tosaerba semovente da 46 cm (19") 60V	MANUALE D'USO	22
FR	Tondeuse à traction de 19" 60 V	MANUEL D'UTILISATION	29
PT	Corta relva auto propulsado 19" 60V	MANUAL DE UTILIZAÇÃO	36
NL	19" 60V zelfrijdende grasmaaimachine	GEbruikersHANDLEIDING	43
RU	Самостоятельная газонокосилка 19 дюймов 60 В	РУКОВОДСТВО ПО ЭКСПЛУАТАЦИИ	50
FI	19" 60V itsevetävä ruohonleikkuri	KÄYTTÄJÄN KÄSIKIRJA	57
SV	19-tums 60 V självgående gräsklippare	INSTRUKTIONSBOK	64
NO	19-tommers 60V selvgående gressklipper	BRUKSANVISNING	71
DA	19" 60V Selvkørende plæneklipper	BRUGERVEJLEDNING	78
PL	Samojedna kosiarka 19" 60 V	PODRECZNIK OBSZUGI	85
CS	Sekačka na trávu s pojezdem 19" 60V	NÁVOD K OBSLUZE	92
SK	19" 60 V samohybná kosačka	NÁVOD NA POUŽITIE	99
SL	19" 60-voltna kosilnica s funkcijo samozaganjanja	UPORABNI KI PRIROČNIK	106
HR	19" samopomična kosilica od 60V	KORISNIČKI PRIRUČNIK	113
HU	19" 60V Őnjáró fűnyíró	HASZNÁLATI ÚTMUTATÓ	120
RO	Mașină de tuns iarba auto-propulsată de 19" la 60V	MANUAL DE UTILIZARE	127
BG	19" косачка за трева с автоматично придвижване, 60 V	РЪКОВОДСТВО ЗА УПОТРЕБА	134
EL	Μηχανή κοπέματος γρασίδιου με αυτόματη ώθηση 19" 60V	ΕΓΧΕΙΡΙΔΙΟ ΧΡΗΣΗΣ	142
AR	19" تلو ف 60 فوق ب ي ت اذ ل ع خ د ل ا ب ش ا ش ح ز ج ذ ل ا	دخستس ل ل ا ل ي ل د	149
TR	19" 60V Kendinden Tahrikli Çim Biçme Makinesi	KULLANICI KILAVUZU	156
HE	תימצע הענהב טלוו 60 וניא' 19 אשד תחסכ	מדריך למשתמש	163
LT	19 col. 60 V savaeigė vejapjovė	NAUDOJIMO VADOVAS	169
LV	19" 60V Pašgājējs zāles pļāvējs	LIETOTĀJA ROKASGRĀMATA	176
ET	Isevedav muruniiduk 60 V, 19"	KASUTAJAJUHEND	183



English (Original Instructions)

SPECIFICATIONS

Lawn mower	2502907
Width of cut	46 cm
Height of cut	25 mm - 80 mm
No-load speed	2800 rpm
Self propelled speed	0.5-1.5 m/s
Sound pressure level	LpA :73 dB(A), K:3.0
Measured sound power level	LwA :85.5 dB(A)
Maximum vibration	<2.5 m/s ² , K=1.5
Grassbox capacity	52 L
Net weight	28 kg
Spare Blade	2920407
Battery	Lithium-ion
Model number	2918307 / 2918407
Battery charger	
Model number	2918507
Double-insulated construction	

20. Blade
21. Motor shaft
22. Fan
23. Blade bolt
24. Blade posts
25. Battery release button
26. Mulching plug
27. Side discharge deflector
28. Side discharge door
29. Block of wood (not included)
30. Wrench (not included)
31. Battery key
32. Self propel lever
33. Self-Propel speed controls

WARNING

Use of any other battery packs may result in a risk of fire, electric shock, or injury to persons.

KNOW YOUR LAWN MOWER

See *figure 1*.

The safe use of the product requires an understanding of the information on the tool and in this operator's manual as well as a knowledge of the project you are attempting. Before use of this product, familiarize yourself with all operating features and safety rules.

BATTERY METER

The battery meter measures the amount of charge remaining in the battery.

GRASSBOX

The grassbox collects grass clippings and prevents them from being discharged across your lawn as you mow.

HEIGHT ADJUSTMENT LEVER

The height adjustment lever provides cutting height adjustments.

MOTOR CONTROL CABLE

The motor control cable, located on the upper handle of the mower, engages and disengages the motor and blade.

MULCHING PLUG

Your mower is equipped with a mulching plug that covers the rear discharge opening, which allows the mower blade to cut and recut for finer clippings.

DESCRIPTION

1. Power lever
2. Motor control cable
3. Start button
4. Upper handle
5. Lower handle
6. Height adjustment lever
7. Battery door
8. Front wheel
9. Rear wheel
10. Grassbox
11. Battery (not included)
12. Handle knob
13. Knob
14. Bolt
15. Grassbox handle
16. Rear door
17. Rear discharge opening
18. Door rod
19. Hooks

English (Original Instructions)

SIDE DISCHARGE DEFLECTOR

Use the side discharge deflector on your mower when the grass is too high to mulch or when side discharging is preferred. The grass clippings produced when using the side discharge deflector are noticeably larger than those produced when using the mulching plug and side mulching plate.

SIDE DISCHARGE DOOR

Your mower is equipped with a door that covers the side discharge opening, which allows the mower blade to cut and recut the grass for finer clippings if the mulching plug is engaged, or otherwise sends the grass clippings to the collection bag.

ASSEMBLY

UNPACKING

This product requires assembly.

- Carefully remove the product and any accessories from the box. Make sure that all items listed in the packing list are included.

WARNING

Do not use this product if any parts on the packing list are already assembled to your product when you unpack it. Parts on this list are not assembled to the product by the manufacturer and require customer installation. Use of a product that may have been improperly assembled could result in serious personal injury.

- Inspect the product carefully to make sure no breakage or damage occurred during shipping.
- Do not discard the packing material until you have carefully inspected and satisfactorily operated the product.
- If any parts are damaged or missing, please call your Greenworks tools service centre for assistance.

PACKING LIST

- Lawn mower
- Battery key
- Grassbox
- Mulching plug
- Side discharge deflector
- Operator's manual
- Knobs
- Bolts

WARNING

If any parts are damaged or missing do not operate this product until the parts are replaced. Using a product with damaged or missing parts could result in serious personal injury.

WARNING

Do not attempt to modify this product or create accessories not recommended for use with this product. Any such alteration or modification is misuse and could result in a hazardous condition leading to possible serious personal injury.

WARNING

Do not insert battery key until assembly is complete and you are ready to mow. Failure to comply could result in accidental starting and possible serious personal injury.

WARNING

To prevent accidental starting that could cause serious personal injury, always remove the battery pack from the product when assembling parts.

WARNING

Never operate the mower without the proper safety devices in place and working. Never operate the mower with damaged safety devices. Operation of this product with damaged or missing parts could result in serious personal injury.

UNFOLDING AND ADJUSTING LOWER HANDLE

See figure 2.

- Pull and rotate the handle knobs 90° on both sides to loosen the lower handles on both sides.
- Move the lower handles to the operating position. You may raise or lower the handle to a position comfortable for you. There are 3 positions for you to choose. Release the handle knobs to lock the lower handle into position.

NOTE: Ensure both sides are set at the same position for proper assembly.

INSTALLING THE UPPER HANDLE

See figure 3.

- Align the mounting holes on the upper handle and the lower handle. Insert the carriage bolts and use the knobs to tighten them. Repeat the operation on the

English (Original Instructions)

other side.

INSTALLING THE GRASSBOX

See figure 4.

- Lift the rear discharge door.
- Lift the grass catcher by its handle and place under the rear discharge door so that the hooks on the grass catcher are seated on the door rod.
- Release the rear discharge door. When installed correctly, the hooks on the grass catcher will extend through the openings on the rear discharge door.

INSTALLING THE MULCHING PLUG

See figure 5.

- Lift and hold up the rear discharge door.
- Grasp the mulching plug by its handle and insert it at a slight angle, as shown.
- Push the mulching plug securely into place.
- Lower the rear discharge door.

INSTALLING SIDE DISCHARGE DEFLECTOR

See figure 6.

NOTE: When using the side discharge deflector, do not install the grassbox. The mulching plug should remain installed.

- Lift the side discharge door.
- Align the hooks on the deflector with the hinge rod on the underside of the door.
- Lower the deflector until the hooks are secured on the mulch door hinge rod.
- Release the deflector and side discharge door.

SETTING BLADE HEIGHT

See figure 7.

When shipped, the wheels on the mower are set to a low-cutting position. Before using the mower for the first time, adjust the cutting position to the height best suited for your lawn. The average lawn should be between 38 mm and 51 mm during cool months and between 51 mm and 70 mm during hot months.

To adjust the blade height

- To raise the blade height, grasp the height adjustment lever and move it toward the back of the mower.
- To lower the blade height, grasp the height adjustment lever and move it toward the front of the mower.

OPERATION

⚠ WARNING

Do not allow familiarity with products to make you careless. Remember that a careless fraction of a second is sufficient to inflict serious injury.

⚠ WARNING

Always wear eye protection. Failure to do so could result in objects being thrown into your eyes resulting in possible serious injury.

⚠ WARNING

Do not use any attachments or accessories not recommended by the manufacturer of this product. The use of attachments or accessories not recommended can result in serious personal injury.

⚠ WARNING

Always inspect mower for missing or damaged parts and blade for damage, uneven, or excessive wear prior to use. Using a product with damaged or missing parts could result in serious personal injury.

- Do not tilt the lawn mower when starting the engine or switching on the motor, unless the lawn mower has to be tilted for starting. In this case, do not tilt it more than absolutely necessary and lift only the part which is away from the operator.
- Do not start the engine when standing in front of the discharge chute.
- Do not put hands or feet near or under rotating parts. Always keep clear of the discharge opening.

For complete charging instructions, refer to the operator's manual for the battery packs and chargers listed in the specifications section.

TO INSTALL BATTERY PACK

See figure 8.

- Lift and hold up the battery door.
- Align the battery with the mower's battery port.
- Make sure the battery release button snaps in place and that battery is fully seated and secure in the mower before beginning operation.
- Insert the battery key.
- If the machine is not going to be used immediately, do not insert the battery key.

English (Original Instructions)

- Close the door.

TO REMOVE BATTERY PACK

See figure 8.

- Release the power lever to stop the product.
- Open the battery door to access the battery compartment.
- Remove the battery key.
- Press the battery release button on the mower. This will cause the battery to raise out of the tool slightly.
- Remove battery pack from the product.

STARTING/STOPPING THE MOWER

See figure 9.

- Press and hold the safety ock-out button.
- Pull the power lever upward to the handle to start the mower and release the safety lock-out button.
- To stop the mower, release the power lever.

NOTE: A high-pitched noise and sparking may occur as the electric motor decelerates. This is normal.

SELF-PROPELLED MOWING

See Figure 9

To engage the self-propelled feature:

- Open the battery door.
- Insert the battery.
- Insert the battery key.
- Pull the self propel lever upward to meet the handle.

To disengage the self-propelled feature:

- Release the self propel lever.

To adjust the speed of self-propelled feature:

- Pull the variable speed control lever towards the Rabbit Symbol to increase speed.
- Push the variable speed control lever towards the Turtle Symbol to decrease speed.

MOWING TIPS

- Make sure the lawn is clear of stones, sticks, wires, and other objects that could damage the lawn mower blades or motor. Do not mow over property stakes or other metal posts. Such objects could be accidentally thrown by the mower in any direction and cause serious personal injury to the operator and others.
- For a healthy lawn, always cut off one-third or less of the total length of the grass.
- Do not cut wet grass, it will stick to the underside of the deck and prevent proper bagging or mulching of

grass clippings.

- New or thick grass may require a narrower cut or a higher cutting height.
- Clean the underside of the mower deck after each use to remove grass clippings, leaves, dirt, and any other accumulated debris.
- When cutting long grass, reduce walking speed to allow for more effective cutting and a proper discharge of the clippings.

NOTE: Always stop mower, allow blades to completely stop, and remove the battery key before cleaning underneath the mower.

SLOPE OPERATION

⚠ WARNING

Slopes are a major factor related to slip and fall accidents that can result in severe injury. Operation on slopes requires extra caution. If you feel uneasy on a slope, do not mow it. For your safety, do not attempt to mow slopes greater than 15 degrees.

⚠ WARNING

Please keep self-propelled at low speed when mowing up to a slope.

- Mow across the face of slopes, never up and down. Exercise extreme caution when changing direction on slopes.
- Watch for holes, ruts, rocks, hidden objects, or bumps which can cause you to slip or trip. Tall grass can hide obstacles. Remove all objects such as rocks, tree limbs, etc., which could be tripped over or thrown by the blade.
- Always be sure of your footing. A slip and fall can cause serious personal injury. If you feel you are losing your balance, release the power lever immediately.
- Do not mow near drop-offs, ditches, or embankments; you could lose your footing or balance.

EMPTYING THE GRASSBOX

See figure 10.

- Stop mower, allow blade to completely stop, and remove battery key.
- Lift the rear door.
- Lift the grassbox by its handle to remove from mower.
- Empty grass clippings.
- Lift the rear door and reinstall the grassbox as described earlier in this manual.

English (Original Instructions)

MAINTENANCE

WARNING

Before performing any maintenance, make sure the mower battery and battery key are removed to avoid accidental starting and possible serious personal injury.

WARNING

To prevent accidental start-up or unauthorized use, the cordless lawn mower is equipped with a removable safety key. To completely disable the mower, the safety key should be removed and kept in a place away from the mower and out of the reach of children.

WARNING

When servicing, use only authorised replacement parts. Use of any other parts may create a hazard or cause product damage.

WARNING

Keep the motor and battery compartments free from grass, leaves or excessive grease. This will help reduce the risk of fire.

GENERAL MAINTENANCE

Before each use, inspect the entire product for damaged, missing, or loose parts such as screws, nuts, bolts, caps, etc.

Tighten securely all fasteners and caps and do not operate this product until all missing or damaged parts are replaced. Please call Greenworks tools customer service for assistance. Avoid using solvents when cleaning plastic parts. Most plastics are susceptible to damage from various types of commercial solvents and may be damaged by their use. Use clean cloths to remove dirt, dust, oil, grease, etc.

WARNING

To reduce the risk of damage and danger, never clean the tool with pressure washer or under running water.

WARNING

Keep the motor and battery compartments free from grass, leaves or excessive grease. This will help reduce the risk of fire.

WARNING

Do not at any time let brake fluids, gasoline, petroleum-based products, penetrating oils, etc., come in contact with plastic parts. Chemicals can damage, weaken, or destroy plastic which may result in serious personal injury.

Periodically check all nuts and bolts for proper tightness to ensure safe operation of the mower.

Wipe the mower clean with a dry cloth occasionally. Do not use water.

LUBRICATION

All of the bearings in this product are lubricated with a sufficient amount of high grade lubricant for the life of the unit under normal operating conditions. Therefore, no further bearing lubrication is required.

WARNING

Always protect hands by wearing heavy gloves and/or wrapping the cutting edges of the blade with rags and other material when performing blade maintenance. Contact with the blade could result in serious personal injury.

WARNING

Do not lubricate any of the wheel components. Lubrication may cause the wheel components to fail during use, which could result in serious personal injury to the operator and/or mower or property damage.

REPLACING THE CUTTING BLADE

See figure 11-12.

NOTE: Only use authorised replacement blades. Replace worn or damaged blades and bolts in sets to preserve balance.

- Stop the motor and remove the battery key. Allow blade to come to a complete stop.
- Remove the battery pack.
- Turn the mower on its side.
- Wedge a block of wood between the blade and mower deck to prevent the blade from turning.
- Loosen the blade bolt by turning it counterclockwise (as viewed from bottom of mower) using a 27 mm wrench or socket (not provided).
- Remove the blade bolt and blade.

English (Original Instructions)

- Place the new blade on the shaft. Ensure blade is properly seated with shaft going through center blade hole and the two blade posts on the fan inserted into their respective holes on the blade. Make sure it is installed with the curved ends pointing up toward the mower deck and not down toward the ground. When seated properly, the blade should be flat against the fan.
- Thread the blade bolt on the shaft and finger tighten.
- Torque the blade bolt down clockwise using a torque wrench (not provided) to ensure the bolt is properly tightened. The recommended torque for the blade bolt is 62.5~71.5 kgfcm (350-400 in.-lb.).

ENVIRONMENTAL PROTECTION

- Environmental protection should be a priority of considerable importance when using the machine, for the benefit of both social coexistence and the environment in which we live. Try not to cause any disturbance to the surrounding area.
- Scrupulously comply with local regulations for the disposal of packaging, deteriorated parts or any elements with a strong environmental impact; this waste must not be disposed of as normal waste, it must be separated and taken to specified waste disposal centres where the material will be recycled.
- Scrupulously comply with local regulations for the disposal of waste materials after mowing.
- At the time of decommissioning, do not pollute the environment with the machine, but hand it over to a disposal centre, in accordance with the local laws in force.

English (Original Instructions)


TROUBLESHOOTING

Problem	Possible cause	Solution
Handle is not in position.	Carriage bolts are not seated properly.	Adjust the height of the handle and make sure the carriage bolts are seated properly.
Mower is not starting.	Battery is low in charge.	Charge the battery.
	Battery is either inoperable or will not take a charge.	Replace the battery.
	The battery key is not inserted.	Insert the battery key.
Mower is cutting grass unevenly.	Lawn is rough or uneven or cutting height not set properly.	Move the wheels to a higher position. All wheels must be placed in the same cutting height for the mower to cut evenly.
Mower is not mulching properly.	Wet grass clippings are sticking to the underside of the deck.	Wait until the grass dries before mowing.
Mower is hard to push.	High grass, rear of mower housing and blade are dragging in heavy grass, or cutting height too low.	Raise the cutting height.
Mower is not bagging properly.	Cutting height is set too low.	Raise the cutting height.
Mower is vibrating at higher speed.	Blade is unbalanced, excessively or unevenly worn.	Replace the blade.
	Motor shaft is bent.	Stop the motor, remove isolator key and battery, disconnect the power source, and inspect for damage. Have it repaired by an authorised service center before restarting.
Motor stops while cutting.	Cutting height is set too low.	Raise the cutting height.
	Battery has no power.	Charge the battery.

If these solutions do not solve the problem contact your authorised service dealer.

Deutsch (Übersetzung der originalen Anleitungen)

TECHNISCHE DATEN

Rasenmäher	2502907
Fräsbreite	46 cm
Schnitthöhe	25 mm - 80 mm
Leerlaufgeschwindigkeit	2800 rpm
Antriebsgeschwindigkeit	0.5-1.5 m/s
Schalldruckpegel	LpA :73 dB(A), K:3.0
Gemessener Schalleistungspegel	LwA :85.5 dB(A)
Vibrationspegel	<2.5 m/s ² , K=1.5
Grasfangkorvvolumen	52 L
Nettogewicht	28 kg
Ersatzklinge	2920407
Akku	Lithium-ion
Modellnummer	2918307 / 2918407
Akkuladegerät	
Modellnummer	2918507
Doppeltisolierte Konstruktion	

18. Klappenscharnier
19. Haken
20. Sägeblatt
21. Motorschaft
22. Lüfter
23. Messerschraube
24. Messeraufnahme
25. Knopf zum Lösen des Akkus
26. Mulchadapter
27. Seitlicher Auswurfabweiser
28. Seitliche Auswurfklappe
29. Holzklötz (nicht im Lieferumfang enthalten)
30. Bedienungsschlüssel (nicht im Lieferumfang enthalten)
31. Akkuschlüssel
32. Hebel für Eigenantrieb
33. Geschwindigkeitsregelung des Eigenantriebs

⚠️ WARNUNG

Die Verwendung anderer Akkus kann zu Feuergefahr, Stromschlägen oder Verletzungen führen.

MACHEN SIE SICH MIT IHREM RASENMÄHER VERTRAUT

Siehe Abbildung 1.

Die sichere Verwendung dieses Produkts erfordert ein Verständnis der in dieser Gebrauchsanweisung enthaltenen Informationen über das Werkzeug sowie Kenntnisse über die Arbeiten, die Sie in Angriff nehmen. Machen Sie sich vor der Benutzung dieses Produkts mit allen Betriebsfunktionen und Sicherheitsregeln vertraut.

LADEZUSTANDSANZEIGE

Die Ladezustandsanzeige zeigt die restliche Ladung des Akkus an.

GRASFANGKORB

Der Grasfangkorb sammelt Schnittgut und verhindert, dass es während des Mähens auf dem Rasen verteilt wird.

HÖHENEINSTELLUNGSHABEL

Der Hebel zur Höhenverstellung ermöglicht die Einstellung der Schnitthöhe.

MOTOR-STEUERKABEL

Das Motor-Steuerkabel an dem oberen Griffbügel des Mähers aktiviert und deaktiviert den Motor und das

BESCHREIBUNG

1. Startbügel
2. Motor-Steuerkabel
3. Starterknopf
4. Oberer Griffbügel
5. Unterer Handgriff
6. Höheneinstellungshebel
7. Akkuklappe
8. Vorderrad
9. Hinterrad
10. Grasfangkorb
11. Akku (nicht im L lieferumfang enthalten)
12. Griffknopf
13. Knopf
14. Bolzen
15. Grasfangkorbgriff
16. Hintere Klappe
17. Hintere Auswurföffnung

Deutsch (Übersetzung der originalen Anleitungen)

Messer.

SCHALTSCHLÜSSEL

Der Schaltschlüssel muss eingesteckt sein, bevor der Rasenmäher gestartet werden kann.

MULCHADAPTER

Ihr Mäher ist mit einem Mulchadapter ausgestattet der die hintere Auswurföffnung abdeckt, wodurch das Messer das Schnittgut immer wieder schneidet und feineres Schnittgut produziert.

SEITLICHER AUSWURFABWEISER

Benutzen Sie den seitlichen Auswurfabweiser an Ihrem Mäher, wenn das Gras zu hoch zum Mulchen ist oder der Auswurf an der Seite bevorzugt ist. Das Schnittgut das entsteht, wenn der seitliche Auswurfabweiser benutzt wird, ist merklich größer als das mit dem Mulchadapter und der seitlichen Mulcherplatte entstandene.

SEITLICHE AUSWURFKLAPPE

Ihr Mäher ist mit eine Klappe ausgestattet die die seitliche Auswurföffnung abdeckt, wodurch das Messer das Gras immer wieder schneidet und feineres Schnittgut produziert falls der Mulchadapter montiert ist, oder sonst das Schnittgut in den Grasfangkorb befördert.

- Sollten Teile beschädigt sein oder fehlen, wenden Sie sich bitte an den Greenworks tools-Kundendienst.

PACKLISTE

- Rasenmäher
- Akkuschlüssel
- Grasfangkorb
- Mulchadapter
- Seitlicher auswurfabweiser
- Bedienungsanleitung
- Knöpfe
- Schrauben

⚠ WARNUNG

Falls Teile fehlen oder beschädigt sind sollte das Gerät nicht in Betrieb genommen werden bevor alles korrekt ersetzt wurde. Die Verwendung eines Produkts mit beschädigten oder fehlenden Teilen kann zu schweren Verletzungen führen.

⚠ WARNUNG

Versuchen Sie nicht, dieses Gerät zu verändern oder Zubehör zu erstellen, das für dieses Gerät nicht empfohlen ist. Sollten Sie während Wartungsarbeiten andere nicht geeignete Teile benutzen, so könnten dies schwere Personen- und Sachschäden mit sich bringen.

MONTAGE

AUSPACKEN

Dieses Produkt muss vor der ersten Benutzung zusammengesetzt werden.

- Entfernen Sie vorsichtig das Produkt und alles Zubehör aus dem Karton. Prüfen Sie, ob alle Gegenstände, die in der Packliste aufgeführt sind, vorhanden sind.

⚠ WARNUNG

Verwenden Sie dieses Produkt nicht, falls auf der Packliste aufgeführte Teile bereits an Ihr Produkt montiert sind, wenn Sie es auspacken. Die Teile auf dieser Liste wurden nicht durch den Hersteller am Produkt vormontiert und müssen vom Kunden montiert werden. Die Verwendung eines Produkts, das nicht ordnungsgemäß montiert wurde, kann zu schweren Verletzungen führen.

⚠ WARNUNG

Stecken Sie den Sicherheitsschlüssel nicht ein, bis der Zusammenbau abgeschlossen ist und Sie zum Mähen bereit sind. Nichtbeachtung kann zu einem unbeabsichtigten Einschalten und möglicherweise schweren Verletzungen führen.

⚠ WARNUNG

Entfernen Sie beim Anschließen von Teilen immer das Akkupack aus dem Produkt um ein versehentliches Einschalten, das schwere Personenschäden verursachen könnte, zu vermeiden.

- Untersuchen Sie das Produkt sorgfältig und vergewissern Sie sich, dass während des Transports keine Beschädigungen aufgetreten sind.
- Entsorgen Sie nicht die Verpackung, bis Sie das Produkt sorgfältig inspiziert und zu Ihrer Zufriedenheit benutzt haben.

Deutsch (Übersetzung der originalen Anleitungen)

⚠ WARNUNG

Betreiben Sie den Mäher niemals ohne montierte und funktionierende Schutzvorrichtungen. Bedienen Sie die Rasenmäher nicht wenn irgendwelcher Sachschaden an den Sicherheitsmerkmalen der Maschine entstanden ist. Sollten sie diese warnung nicht berücksichtigen, kann dies schwere Personenschaden hervorrufen.

AUFKLAPPEN UND EINSTELLEN DES UNTEREN GRIFFS

Siehe Abbildung 2.

- Ziehen und drehen Sie die Griffknöpfe 90° auf beiden Seiten, um die unteren Griffe auf beiden Seiten zu lösen.
- Bewegen Sie die unteren Griffe in die Betriebsposition. Sie können den Griff auf eine bequeme Position heben oder senken. Sie können aus 3 Positionen (3= auswählen. Lassen Sie die Griffknöpfe los, um den unteren Griff zu verriegeln.

HINWEIS: Stellen Sie für die richtige Montage sicher, dass beide Seiten sich in der gleichen Position befinden.

DIE INSTALLATION DES OBEREN GRIFFS

Siehe Abbildung 3.

- Richten Sie die Befestigungslöcher des oberen und unteren Griffs aus. Stecken Sie die Schlossschrauben durch und ziehen sie mit den Knöpfen fest. Wiederholen Sie den Vorgang auf der anderen Seite.

MONTAGE DES GRASFANGKORBES

Siehe Abbildung 4.

- Öffnen Sie die Hecktüre zum Entleeren.
- Heben Sie den Grasfänger am Griff hoch und setzen ihn unter die hintere Auswurfklappe, so dass die Haken des Grasfängers auf der Stange der Klappe sitzen.
- Lassen Sie die hintere Auswurfklappe los. Bei richtiger Montage reichen die Haken des Grasfängers durch die Öffnungen der hinteren Auswurfklappe.

MONTAGE DES MULCHADAPTERS

Siehe Abbildung 5.

- Heben Sie die hintere Auswurfklappe an und halten sie hoch.
- Greifen Sie den Mulchadapter am Handgriff und setzen ihn wie gezeigt in einem kleinen Winkel ein.
- Schieben Sie den Mulchadapter fest an seinen Platz.
- Lassen Sie die hintere Auswurfklappe herunter.

MONTAGE DES SEITLICHEN AUSWURFABWEISERS

Siehe Abbildung 6.

HINWEIS: Montieren Sie nicht den Grasfangkorb, wenn Sie den seitlichen Auswurfabweiser benutzen. Der Mulchadapter sollte montiert bleiben.

- Heben Sie die seitliche Auswurfklappe an.
- Richten Sie die Haken an dem Abweiser mit der Scharnierstange an der Unterseite der Tür aus.
- Lassen Sie den Abweiser herunter bis die Haken an der Scharnierstange der Mulcherklappe einrasten.
- Lösen Sie den Abweiser und die seitliche Auswurfklappe.

EINSTELLEN DER MESSERHÖHE

Siehe Abbildung 7.

Bei der Verschiffung des Rasenmähers sind die Räder auf eine kleine Messerhöhe eingestellt. Bevor Sie den Rasenmäher zum ersten Mal benutzen, stellen Sie bitten die Messerhöhe ein, die am besten zu Ihnen passt. Der durchschnittliche Rasen sollte 38 mm bis 51 mm in der kühlen Jahreszeit und zwischen 51 mm bis 70 mm in der warmen Jahreszeit betragen.

Zum Einstellen der Messerhöhe.

- Um die Messerhöhe zu erhöhen, betätigen Sie den Höhenregler und ziehen Sie ihn zum hinteren Teil des Rasenmähers.
- Um die Messerhöhe zu reduzieren, betätigen Sie den Höhenregler und ziehen Sie ihn zum vorderen Teil des Rasenmähers.

VERWENDUNG

⚠ WARNUNG

Blieben Sie stets wachsam, auch nachdem Sie sich mit Ihrem Gerät vertraut gemacht haben. Denken Sie daran, dass eine sekundenlange Unkonzentriertheit genügen kann, um eine schwere Verletzung zu verursachen.

⚠ WARNUNG

Tragen Sie immer einen Augenschutz. Die Missachtung dieser Anweisung kann dazu führen, dass Fremdkörper in Ihre Augen spritzen und schwere Augenverletzungen verursachen.

Deutsch (Übersetzung der originalen Anleitungen)

⚠ WARNUNG

Verwenden Sie nur vom Hersteller empfohlene Komponenten oder Zubehörteile für dieses Gerät. Die Verwendung von nicht empfohlenen Komponenten oder Zubehörteilen kann zu schweren Verletzungen führen.

- Kippen Sie den Mäher nicht, wenn Sie den Motor starten oder den Motor anschalten, außer der Mäher muss zu Starten gekippt werden. Kippen Sie in diesem Fall das Gerät nicht mehr als notwendig und heben Sie nur die Teile die vom Benutzer entfernt sind.
- Starten Sie den Motor nie, wenn Sie vor einem Grasabwurfschacht stehen sollten.
- Halten Sie Ihre Hände oder Füße nicht in die Nähe von oder unter rotierende Teile. Halten Sie sich immer von der Auswurföffnung fern.

⚠ WARNUNG

Kontrollieren Sie Ihren Rasenmäher vor der Benutzung immer auf fehlende oder beschädigte Teile und die Messer auf Beschädigung, ungleiche oder übermäßige Abnutzung. Die Verwendung eines Produkts mit beschädigten oder fehlenden Teilen kann zu schweren Verletzungen führen.

Für vollständige Ladeanweisungen lesen Sie bitte die Bedienungsanleitung für die Akkus und Ladegeräte, die im Abschnitt Technische Daten aufgeführt wird.

EINSETZEN DES AKKUS

Siehe Abbildung 8.

- Heben Sie die Akkuabdeckung an und halten sie hoch.
- Richten Sie den Akku mit der Akkuhalterung aus.
- Vergewissern Sie sich, dass der Entriegelungsknopf des Akkus eingerastet ist, und dass der Akku richtig und sicher in dem Rasenmäher sitzt, bevor Sie mit der Arbeit beginnen.
- Stecken Sie den Akkuschlüssel ein.
- Wenn die Maschine nicht sofort benutzt werden soll, stecken Sie den Akkuschlüssel nicht ein.
- Schließen Sie die Klappe.

ENTNEHMEN DES AKKUS

Siehe Abbildung 8.

- Lösen sie den startbügel um das produkt anzuhalten.
- Öffnen Sie den Akkufachdeckel, um Zugang zu dem Akkufach zu bekommen.

- Entfernen Sie den Akkuschlüssel.
- Drücken Sie den Entriegelungsknopf des Akkus an dem Rasenmäher. Dadurch wird der Akku etwas aus dem Werkzeug gedrückt.
- Entfernen sie den akku aus dem produkt.

START/STOPP DES RASENMÄHERS

Siehe Abbildung 9.

- Drücken und halten Sie die Auslösesperre.
- Ziehen Sie den Gashebel nach oben in Richtung Griff, um den Rasenmäher zu starten und lassen die Auslösesperre los.
- Lassen Sie den Auslöser los, um den Rasenmäher auszuschalten.

HINWEIS: Ein hohes Geräusch und Funken können auftreten während der elektrische Motor langsamer wird. Das ist normal.

RASENMÄHEN MIT EIGENANTRIEB

Siehe Abbildung 9

Zum Anschalten des Eigenantriebs:

- Öffnen Sie das Batteriefach.
- Legen Sie den Akku ein.
- Stecken Sie den Akkuschlüssel ein.
- Ziehen Sie den Hebel für den Eigenantrieb nach oben an den Griff.

Zum Ausschalten des Eigenantriebs:

- Lassen Sie den Hebel für den Eigenantrieb los.

Zum Einstellen der Geschwindigkeit des Eigenantriebs:

- Ziehen Sie den Hebel zur Geschwindigkeitsregelung des Eigenantriebs in Richtung Hasen-Symbol, um die Geschwindigkeit zu erhöhen.
- Ziehen Sie den Hebel zur Geschwindigkeitsregelung des Eigenantriebs in Richtung Schildkröten-Symbol, um die Geschwindigkeit zu verringern.

TIPS ZUM RASENMÄHEN

- Vergewissern Sie sich, dass der Rasen frei von Steinen, Stöcken, Drähten oder anderen Objekten ist die die Messer oder dem Motor des Mähers beschädigen könnten. Mähen Sie nicht über Grundstücksmarkierungen oder andere Metallpfosten. Diese Objekte könnten vom Rasenmäher zum Benutzen gewirbelt werden und schwere Personenschäden entstehen lassen.
- Schneiden Sie für einen gesunden Rasen immer ein Drittel oder weniger der Grashöhe ab.
- Schneiden Sie kein nasses Grass, es könnte an der

Deutsch (Übersetzung der originalen Anleitungen)

Unterseite des Rasenmähers stecken bleiben und großen Schaden anrichten.

- Neues oder schweres Gras kann einen schmaleren Schnitt oder größere Schnitthöhe erfordern.
- Säubern Sie die untere Seite des Rasenmähers nach jedem Gebrauch um Grassreste, Blätter, Schmutz und anderen Abfall aus dem Gerät zu entfernen.
- Sollten Sie hohes Grass mähen, reduzieren Sie ihre Geschwindigkeit um das beste Arbeitsergebnis zu erhalten.

HINWEIS: Stoppen Sie immer den Rasenmäher, lassen die Klingen vollständig zum Stillstand kommen und entfernen den zum Akkuschlüssel, bevor Sie die Unterseite des Rasenmähers reinigen.

BETRIEB BEI GEFÄLLE

⚠️ WARNUNG

Bei Gefällen besteht hohe Rutschgefahr, was schweren Personenschaden verursachen kann. Wenn Sie bei Gefällen Rasen mähen ist Vorsicht geboten. Wenn Sie sich bei einem Gefälle unsicher fühlen sollten Sie in keinem Fall Rasen mähen. Zu Ihrer Sicherheit sollten Sie bei Gefällen mit einem Winkel größer als 15° nicht Rasen mähen.

⚠️ WARNUNG

Benutzen Sie bitte den Eigenantrieb bei niedriger Geschwindigkeit, wenn Sie einen Hang hinauf mähen.

- Mähen Sie immer quer und niemals von oben nach unten. Es könnte schwerer Schaden entstehen, wenn dies nicht eingehalten wird.
- Passen Sie auf bei Löchern, Kurven, Steinen und versteckten Objekte oder Hügeln, sie bergen Rutschgefahr. Hohes Gras kann Hindernisse bergen. Entfernen Sie alle Objekte, wie zum Beispiel Steine und Äste, welche von den Schneideelementen in die Luft geworfen werden können.
- Achten Sie immer auf sicheren Stand. Ein Ausrutscher oder Fall kann schweren Personenschaden entstehen lassen. Lassen Sie den Startbügel sofort los, wenn Sie merken, dass Sie das Gleichgewicht verlieren.
- Benutzen Sie das Gerät nicht in der Nähe von Klippen, Gräben und Böschungen; Sie könnten Ihr Gleichgewicht verlieren.

LEEREN DES GRASFANGKORBES

Siehe Abbildung 10.

- Zum Stoppen des Rasenmähers, lassen Sie die Klinge vollständig anhalten und entfernen den Akkuschlüssel.

- Heben Sie die hintere Klappe an.
- Heben Sie den Grasfangkorb am Handgriff an um ihn aus dem Mäher zu entfernen.
- Leeren Sie den Sack.
- Heben Sie die hintere Klappe an und setzen den Grasfangkorb wie oben beschrieben wieder ein.

WARTUNG UND PFLEGE

⚠️ WARNUNG

Bevor Sie irgendwelche Wartungsarbeiten durchführen, stellen Sie sicher, dass der Rasenmäherakku und der Akkuschlüssel entfernt sind, um versehentliches Starten und schwere Verletzungen zu vermeiden.

⚠️ WARNUNG

Damit versehentliches Starten und unautorisierte Benutzung verhindert werden, ist der kabellose Rasenmäher mit einem entfernbaren Sicherheitsschlüssel ausgestattet. Damit der Rasenmäher vollständig deaktiviert ist, sollte der Sicherheitsschlüssel entfernt sein und an einem anderen Ort als der Rasenmäher und außer Reichweite von Kindern aufbewahrt werden.

⚠️ WARNUNG

Verwenden Sie für die Wartung nur autorisiert Ersatzteile. Die Benutzung ungeigneter Ersatzteile könnte schweren Sachschaden entstehen lassen.

⚠️ WARNUNG

Halten Sie den Motor und das Akkufach frei von Gras, Blättern oder zu viel Fett. Dadurch wird das Feuerrisiko verringert.

GENERELLE WARTUNGSARBEITEN

Überprüfen Sie das gesamte Produkt vor jeder Benutzung auf beschädigte, fehlende oder lose Teile, wie Schrauben, Bolzen, Muttern, Deckel usw.

Schrauben Sie alle Befestigungen und Deckel fest und verwenden Sie dieses Produkt nicht, bis alle fehlenden oder beschädigten Teile ersetzt wurden. Bitte wenden Sie sich für weitere Hilfe an den Greenworks tools-Kundendienst. Vermeiden Sie beim Reinigen der Plastikteile den Einsatz von Lösungsmitteln. Die meisten Plastikteile können durch den Gebrauch der handelsüblichen Solventien beschädigt werden, was sich auch auf ihre Leistung auswirken kann.

Deutsch (Übersetzung der originalen Anleitungen)

Verwenden Sie saubere Tücher um Verunreinigungen wie Staub, Öl, Schmierstoffe usw. zu entfernen.

⚠️ WARNUNG

Um das Risiko von Beschädigungen und Gefahren zu verringern, reinigen Sie das Gerät niemals mit einem Hochdruckreiniger oder unter fließendem Wasser.

⚠️ WARNUNG

Nur in geschlossenen Räumen lagern. Entfernen Sie zum Reinigen oder Lagern immer die Batterie aus dem Mäher und dem Ladegerät.

⚠️ WARNUNG

Lassen Sie niemals Brems üssigkeiten, Benzine, Produkte auf Erdölbasis, Rostlöser usw. mit den Plastikteilen in Kontakt geraten. Chemikalien können Plastik beschädigen, aufweichen oder zerstören, was zu schweren Verletzungen führen kann.

Überprüfen Sie immer wieder alle Schrauben und Bolzen auf ihre Festigkeit um eine sicherer Handhabung des Rasenmähers zu gewährleisten.

Wischen Sie den Rasenmäher mit einem feuchten Tuch ab. Benutzen Sie kein Wasser.

SCHMIERÖL

Alle Elemente, welche Schmieröl benötigen, sind mit hochgradigem Schmieröl für leistungsstarke Ergebnisse ausgestattet. Daher brauchen Sie kein weiteres Schmieröl.

⚠️ WARNUNG

Schützen Sie Ihre Hände immer mit dicken Handschuhen wenn Sie die Schneideelemente auswechseln müssen. Kontakt mit dem Messer könnte zu schweren Verletzungen führen.

⚠️ WARNUNG

Bitte benutzen Sie kein Schmieröl für die Räder. Schmierung kann dazu führen, dass Teile der Räder beim Einsatz versagen, wodurch schwere Verletzungen des Bedieners und/oder Schäden am Mäher oder Eigentum entstehen können.

AUSTAUSCH DER SCHNEIDELEMENTE

Siehe Abbildung 11-12.

HINWEIS: Verwenden Sie nur autorisierte Ersatzmesser. Ersetzen Sie abgenutzte oder beschädigte Messer und

Bolzen als Satz um die Balance zu erhalten.

- Stoppen Sie den Motor und entfernen den Akkuschlüssel. Lassen Sie das Messer vollständig anhalten.
- Entnehmen Sie den Akku.
- Legen Sie den Rasenmäher auf die eine Seite.
- Stecken Sie ein Stück Holz zwischen dem Schneideblatt und dem Gehäuse um die Schneideelemente zu fixieren.
- Lockern sie die Messerschraube, indem Sie Sie mit einem 27 mm Schraubenschlüssel oder Nuss (nicht enthalten) gegen den Uhrzeigersinn drehen (von der Unterseite des Mähers gesehen).
- Entfernen Sie die Messerschraube und das Messer.
- Setzen Sie das neue Messer auf den Schaft. Stellen Sie sicher, dass das Messer richtig auf dem Schaft sitzt, mit dem Schaft in dem Mittelloch und die beiden Messerstifte an dem Lüfter in den jeweiligen Löchern in dem Messer. Stellen Sie sicher, dass es mit den gebogenen Enden nach oben montiert ist, und nicht in Richtung Boden. Wenn sie richtig sitzt, sollte das Messer flach an dem Lüfter sitzen.
- Schrauben Sie die Messerschraube handfest an den Schaft.
- Ziehen Sie die Mutter im Uhrzeigersinn mit einem Drehmomentschlüssel (nicht im Lieferumfang) an um sicherzugehen, dass der Bolzen fest sitzt. Das empfohlene Anziehdrehmoment der Messermutter ist 62.5~71.5 kgf cm.

UMWELTSCHUTZ

- Der Umweltschutz muss ein wesentlicher und vorrangiger Aspekt bei der Verwendung der Maschine sein, zum Vorteil des zivilen Zusammenlebens und unserer Umgebung. Vermeiden Sie es, ein Störelement Ihrer Nachbarschaft darzustellen.
- Halten Sie sich strikt an die örtlichen Vorschriften für die Entsorgung von Verpackungen, Öl, Benzin, Filter, beschädigten Teilen oder sämtlichen weiteren umweltschädlichen Stoffen. Diese Stoffe dürfen nicht zusammen mit dem Hausmüll entsorgt werden, sondern müssen getrennt gesammelt und zum Wertstoffhof gebracht werden, der für die Wiederverwendung der Stoffe sorgt.
- Halten Sie sich strikt an die örtlichen Vorschriften für die Entsorgung der Schneidreste.
- Bei Außerbetriebnahme darf die Maschine nicht einfach in der Umwelt abgestellt werden, sondern muss gemäß der örtlichen Vorschriften an einen Wertstoffhof übergeben werden.

Deutsch (Übersetzung der originalen Anleitungen)


FEHLERBEHEBUNG

Problem	Mögliche ursache	Lösung
Handgriff ist nicht in Position.	Schlossschrauben sitzen nicht richtig.	Stellen Sie die Griffhöhe ein und stellen sicher, dass die Schlossschrauben richtig sitzen.
Mäher startet nicht.	Akkuladung ist niedrig.	Laden Sie den Akku.
	Akku ist entweder nicht funktionsfähig oder kann nicht aufgeladen werden.	Ersetzen Sie den Akku.
	Der Akkuschlüssel ist nicht eingesteckt.	Stecken Sie den Akkuschlüssel ein.
Mäher schneidet das Gras ungleichmäßig.	Rasen ist rau oder uneben oder Schnitthöhe ist nicht richtig eingestellt.	Stellen Sie die Räder auf eine höhere Position. Alle Räder müssen auf dieselbe Schnitthöhe gestellt werden, damit der Mäher gleichmäßig schneidet.
Mäher mulcht nicht richtig.	Nasses Schnittgut kann an dem Unterboden anhaften.	Warten Sie vor dem Mähen bis das Gras getrocknet ist.
Mäher ist schwer zu schieben.	Hohes Gras, dichtes Gras hat sich im Mähergehäuse und in den Schneideelementen festgesetzt, oder	Vergrößern Sie die Schnitthöhe.
Mäher fängt das Gras nicht richtig.	Schnitthöhe ist zu niedrig.	Vergrößern Sie die Schnitthöhe.
Rasenmäher vibriert bei hoher Geschwindigkeit	Messer ist unbalanciert, übermäßig oder ungleichmäßig abgenutzt.	Ersetzen Sie das Messer.
	Motorschaft ist verbogen.	Schalten Sie den Motor aus, entfernen den Sicherheitsschlüssel und Akku, trennen die Stromversorgung und untersuchen auf Beschädigungen. Lassen Sie den Schaden von einem Techniker beheben, bevor Sie den Motor erneut starten.
Motor schaltet beim Mähen aus.	Schnitthöhe ist zu niedrig.	Vergrößern Sie die Schnitthöhe.
	Akku ist leer.	Laden Sie den Akku.

Falls diese Lösungen das Problem nicht klären, kontaktieren Sie Ihren autorisierten Kundendienst.

Español (Traducción de las instrucciones originales)

CARACTERÍSTICAS TÉCNICAS

Cortacésped	2502907
Anchura de fresado	46 cm
Altura del corte	25 mm - 80 mm
Velocidad sin carga	2800 rpm
Velocidad autopropulsada	0.5-1.5 m/s
Nivel de presión sonora	LpA :73 dB(A), K:3.0
Nivel de potencia acústica medido	LwA :85.5 dB(A)
Nivel de vibración	<2.5 m/s ² , K=1.5
Capacidad de la caja de la hierba	52 L
Peso neto	28 kg
Cuchilla Adicional	2920407
Batería	Lón-litio
Número de modelo	2907407 / 2907507
Cargador de pilas	
Número de modelo	2918507
Construcción con doble aislamiento	

17. Apertura trasera de descarga
18. Barra de la puerta
19. Ganchos
20. Hoja
21. Eje del motor
22. Abanico
23. Perno de la cuchilla
24. Postes de la hoja
25. Botón de liberación de la batería
26. Conector de triturado
27. Deflector de descarga lateral
28. Puerta de descarga lateral
29. Bloque de madera (no incluida)
30. Llave de servicio (no incluida)
31. Llave de la batería.
32. Palanca de autopropulsión
33. Controles de velocidad Auto-propulsada

ADVERTENCIA

El uso de cualquier otra batería puede resultar en un riesgo de incendio, descargas eléctricas o lesiones personales.

CONOZCA SU CORTACÉSPED

Ver figura 1.

El uso seguro de este producto requiere la comprensión de la información de la herramienta y del manual de usuario, así como el conocimiento del proyecto que intenta realizar. Antes de utilizar este producto, familiarícese con las características de funcionamiento y normas de seguridad.

MEDIDOR DE LA CARGA DE LA BATERÍA

El medidor de la batería mide la cantidad de carga restante en la batería.

CAJA DE LA HIERBA

La caja de hierba recoge la hierba cortada e impide que se descargue en el césped a medida que usted lo corta.

PALANCA DE AJUSTE DE ALTURA

La palanca de ajuste de altura permite ajustar la altura de corte.

CABLE DE CONTROL DEL MOTOR

El cable de control del motor, situado en la empuñadura superior del cortacésped, activa y desactiva el motor y la

1. Palanca de arranque
2. Cable de control del motor
3. Botón de arranque
4. Asa superior
5. Baje el mango
6. Palanca de ajuste de altura
7. Tapa de la batería
8. Rueda delantera
9. Rueda trasera
10. Caja de la hierba
11. Batería (no incluida)
12. Perilla de la empuñadura
13. Botón
14. Cerrojo
15. Mango de la caja de la hierba
16. Puerta trasera

Español (Traducción de las instrucciones originales)

hoja.

LLAVE DE SEGURIDAD

La llave de seguridad debe insertarse antes de arrancar el cortacésped.

ACCESSOIRE DE PAILLAGE

Votre tondeuse est équipée d'un accessoire de paillage qui recouvre l'ouverture d'évacuation arrière, ce qui lui permet de couper et de recouper l'herbe afin d'obtenir des brins plus fins.

DÉFLECTEUR D'ÉVACUATION LATÉRALE

Utilisez le panneau d'évacuation latéral avec la tondeuse lorsque l'herbe est trop haute pour être paillée ou lorsque vous préférez une évacuation par le côté. La taille des brins d'herbe produits lors de l'utilisation du déflecteur d'évacuation latérale est sensiblement supérieure à celle des brins produits lors de l'utilisation de l'accessoire de paillage et du panneau latéral de paillage.

TRAPPE D'ÉVACUATION LATÉRALE

Votre tondeuse est équipée d'une trappe qui recouvre l'ouverture d'évacuation latérale, ce qui permet à sa lame de couper et de recouper plus nettement les brins d'herbe lorsque l'accessoire de paillage est en place, ou d'évacuer l'herbe vers le panier.

- Si cualquier pieza está dañada llame al centro de servicio autorizado Greenworks tools de su localidad.

LISTA DE EMBALAJE

- Cortacésped
- Llave de la batería.
- Caja de la hierba
- Accessoire de paillage
- Déflecteur d'évacuation latérale
- Manual de instrucciones
- Botones
- Tornillos

ADVERTENCIA

En caso de que se dañe o falte alguna pieza, no utilice este producto hasta que se hayan reemplazado las piezas. El uso de un producto al que le faltan piezas o cuyas piezas están dañadas, puede producir lesiones personales graves.

ADVERTENCIA

No intente modificar este producto o crear accesorios que no fueron recomendados para usar con este producto. Cualquier alteración o modificación se considerará como mal uso y podrá resultar en una condición peligrosa que conducirá a posibles lesiones personales serias.

MONTAJE

DESEMBALAJE

Es necesario montar este producto.

- Retire con cuidado el producto y los accesorios de la caja. Asegúrese de que están incluidos todos los elementos que figuran en la lista del paquete de embalaje.

ADVERTENCIA

No utilice este producto si ya está montado en el producto algún elemento de la lista del paquete de embalaje cuando lo desembale. El fabricante no ha montado los elementos de esta lista en el producto y requieren de la instalación del cliente. Usar un producto que puede haber sido mal montado podría provocar graves daños personales.

ADVERTENCIA

No inserte la llave de la batería hasta que el montaje sea completo y la unidad esté lista para cortar. Si la máquina está mal montada, podría arrancar accidentalmente y provocar graves daños personales.

ADVERTENCIA

Para evitar un arranque accidental que podría causar lesiones corporales serias, retire siempre la batería del producto al ensamblar las piezas.

- Revise el producto con atención para asegurarse de que no se produjeron daños o roturas durante el transporte.
- No tire el material de embalaje hasta que haya revisado con atención y haya utilizado el producto de manera satisfactoria.

Español (Traducción de las instrucciones originales)

⚠ ADVERTENCIA

No utilice nunca el cortacésped sin los dispositivos de seguridad adecuados en su lugar y en perfectas condiciones. Nunca use el cortacésped con dispositivos de seguridad dañados. La utilización de este producto con piezas dañadas o faltantes podrá causar lesiones personales serias.

DESPLIEGUE Y AJUSTE DEL MANGO INFERIOR

Ver figura 2.

- Tire de las perillas del mango y gírelas 90° a ambos lados para aflojar los mangos inferiores.
- Mueva los mangos inferiores hasta la posición de funcionamiento. Puede subir o bajar el mango hasta la posición que le resulte más cómoda. Dispone de 3 posiciones (3) para elegir. Suelte las perillas del mango para bloquear el mango inferior en su posición.

NOTA: Asegúrese de que ambos lados se fijan en la misma posición para un montaje adecuado.

LA INSTALACIÓN DEL MANGO SUPERIOR

Ver figura 3.

- Alinee los orificios de montaje del mango superior y del mango inferior. Inserte los pernos y utilice las perillas para apretarlos. Repita la operación en el otro lado.

INSTALACIÓN DE LA CAJA DE LA HIERBA

Ver figura 4.

- Levante la puerta de descarga trasera.
- Levante el colector de césped sujetándolo por el mango y colóquelo debajo de la puerta trasera de descarga para que los ganchos del colector de césped queden asentados en la barra de la puerta.
- Suelte la puerta trasera de descarga. Cuando se instala correctamente, los ganchos del colector de césped se extienden a través de las aberturas de la puerta de descarga trasera.

INSTALACIÓN DEL ADAPTADOR DE TRITURADO

Ver figura 5.

- Levante y mantenga la puerta de descarga trasera abierta.
- Sujete el adaptador de triturado por su asa e insértelo a un ángulo poco elevado, como se muestra.
- Empuje el adaptador para triturado en su lugar.
- Baje la puerta de descarga trasera.

INSTALACIÓN DEL DEFLECTOR DE DESCARGA LATERAL

Ver figura 6.

OBSERVACIÓN: Cuando utilice el de ector de descarga lateral, no instale la caja de hierba. El adaptador para triturado debe permanecer instalado.

- Levante la puerta de descarga lateral.
- Alinee los ganchos del de ector con la barra articulada situada en la parte inferior de la puerta.
- Baje el de ector hasta que los ganchos se enen en la barra articulada de la puerta de triturado.
- Suelte el de ector y la puerta de descarga lateral.

AJUSTE DE LA ALTURA DE LA CUCHILLA

Ver figura 7.

Al enviarse el aparato, las ruedas en el cortacésped se ajustan a una posición de corte bajo. Antes de usar el cortacésped por primera vez, ajuste la posición del corte a la altura más adecuada para su cortacésped. El césped promedio debería medir entre 38 mm y 51 mm durante los meses fríos y entre 51 mm y 70 mm durante los meses cálidos.

Para ajustar la altura de la hoja

- Para subir la altura de la cuchilla, agarre la palanca de ajuste de altura y muévela hacia atrás del cortacésped.
- Para bajar la altura de la cuchilla, agarre la palanca de ajuste de altura y muévela hacia delante del cortacésped.

UTILIZACIÓN

⚠ ADVERTENCIA

Aun cuando esté familiarizado con el aparato no deje de estar atento. No olvide nunca que basta con un segundo de inatención para herirse gravemente.

⚠ ADVERTENCIA

Utilice siempre dispositivos de protección ocular. Si incumple esta instrucción, pueden proyectarse cuerpos extraños a sus ojos y provocarle graves lesiones oculares.

⚠ ADVERTENCIA

Utilice exclusivamente las piezas y accesorios recomendados por el fabricante. El uso de cualquier pieza o accesorio no recomendado puede ocasionar heridas graves.

Español (Traducción de las instrucciones originales)

⚠ ADVERTENCIA

Revise siempre la unidad por si faltasen piezas o si están dañadas y la hoja por si estuviese dañada, desigual, o tuviese un desgaste excesivo antes de su uso. El uso de un producto al que le faltan piezas o cuyas piezas están dañadas, puede producir lesiones personales graves.

- No incline la cortacésped al arrancar el motor o al encenderlo, a menos que la cortacésped se tenga que inclinar para el arranque. En este caso, no incline la herramienta más de lo absolutamente necesario y levante solamente la parte más alejada de usted.
- No arranque el motor al estar parado delante del conducto de descarga.
- No coloque las manos o los pies cerca o debajo de las piezas giratorias. Siempre manténganse lejos de la abertura de descarga.

Para unas instrucciones completas de carga completa, consulte el Manual del Usuario para las baterías y cargadores que fi guran en la sección de Especificaciones.

INSTALAR LA BATERÍA

Ver figura 8.

- Levante y mantenga la cubierta de la batería abierta.
- Alinee la batería con el puerto de la batería del cortacésped.
- Asegúrese de que el botón de liberación de la batería queda bien colocado en su lugar y que la batería está completamente asentada y segura en el cortacésped antes de comenzar a utilizarlo.
- Inserte la llave de la batería.
- Si la máquina no va a utilizarse inmediatamente, no inserte la llave de la batería.
- Cierre la puerta.

EXTRAER LA BATERÍA

Ver figura 8.

- Suelte la palanca de arranque para detener el producto.
- Abra la compuerta de la batería para tener acceso a la batería.
- Retire la llave de la batería.
- Pulse el botón de liberación de la batería en el cortacésped. Esto hará que la batería salga del aparato ligeramente.
- Retire la batería del producto.

ARRANQUE Y DETENCIÓN DEL CORTACÉSPED

Ver figura 9.

- Mantenga pulsado el botón de bloqueo de seguridad.
- Tire la palanca de arranque hacia arriba, hacia el mango, para arrancar el cortacésped y suelte el botón de bloqueo de seguridad.
- Para apagar la podadora, suelte la palanca de control del interruptor.

NOTA: Puede haber un sonido agudo y chispeo mientras el motor eléctrico desacelera. Esto es normal.

CORTE AUTOPROPULSADO

véase la Figura 9

Para activar la función autopropulsión:

- Abra la puerta del compartimiento de la batería.
- Introduzca la batería.
- Inserte la llave de la batería.
- Tire la palanca de autopropulsión hacia arriba para encontrar el mango.

Para desactivar la función autopropulsión:

- Suelte la palanca de autopropulsión.

Para ajustar la velocidad de la función autopropulsión:

- Tire la palanca de control de velocidad variable hacia el símbolo del conejo para aumentar la velocidad.
- Empuje la palanca de control de velocidad variable hacia el símbolo de la tortuga para disminuir la velocidad.

CONSEJOS PARA EL CORTACÉSPED

- Asegúrese de que el césped está libre de piedras, palos, alambres u otros objetos que puedan dañar las hojas o el motor del cortacésped. No corte sobre estacas de propiedad u otros postes metálicos. Tales objetos podrán arrojar accidentalmente por el cortacésped en cualquier dirección y causar lesiones personales serias al operario y a los demás.
- Para un césped sano, corte siempre un tercio o menos de la longitud total del césped.
- No corte césped mojado, se pegará a la parte inferior de la plataforma y evitará el embolsado apropiado o descarga de los recortes de césped.
- La hierba nueva o gruesa puede requerir un corte más estrecho o una mayor altura de corte.
- Limpie la parte inferior de la plataforma del cortacésped después de cada uso para retirar los recortes de césped, hojas, suciedad y cualquier otro desecho acumulado.
- Al cortar césped alto, reduzca la velocidad de

Español (Traducción de las instrucciones originales)

caminata para permitir un corte más efectivo y descargar apropiadamente los recortes.

NOTA: Apague siempre el cortacésped y deje que las hojas se detengan completamente, retire la llave de la batería antes de limpiar por debajo.

MANEJO DE LAS CUESTAS

⚠ ADVERTENCIA

Las cuestas son un factor principal relacionado a los accidentes por resbalones y caídas que pueden causar lesiones severas. El manejo de equipo en cuestas requiere tener mucho cuidado. Si se siente inseguro en una cuesta, no use el cortacésped. Por su seguridad, no trate de cortar en cuestas mayores de 15 grados.

⚠ ADVERTENCIA

Por favor, mantenga la autopropulsión a baja velocidad cuando se corte en un declive.

- Siempre corte a través de las superficies de las cuestas, nunca de arriba hacia abajo. Tenga mucho cuidado cuando cambie de dirección en las cuestas.
- Observe si hay agujeros, surcos, piedras, objetos ocultos o resaltes que puedan hacerle resbalar o tropezar. El césped alto puede ocultar obstáculos. Retire todos los objetos tales como piedras, ramas de árboles y otros que podrían salir disparados o arrojados por la cuchilla.
- Asegúrese siempre de que está en equilibrio, en una superficie estable. Un resbalón o caída puede causar lesiones personales serias. Si cree que va a perder el equilibrio, suelte la palanca de encendido de inmediato.
- No corte cerca de bajadas escarpadas, cunetas o terraplenes; podrá perder su pisada o equilibrio.

VACIADO DE LA CAJA DE LA HIERBA

Ver figura 10.

- Detenga el cortacésped, deje que la hoja se detenga completamente y retire la llave de la batería.
- Levante la puerta trasera.
- Levante la caja de la hierba por el mango para retirarla del cortacésped.
- Elimine los recortes de césped.
- Levante la puerta trasera y vuelva a colocar la caja de la hierba como se ha descrito anteriormente en este manual.

MANTENIMIENTO

⚠ ADVERTENCIA

Antes de realizar cualquier operación de mantenimiento, asegúrese de que la batería del cortacésped y la llave de la batería no se encuentran en el cortacésped para evitar un arranque accidental y posibles lesiones personales graves.

⚠ ADVERTENCIA

El cortacésped inalámbrico está equipado con una llave de seguridad para prevenir una puesta en marcha accidental o su posible uso no autorizado. Para desactivar totalmente el cortacésped, retire la llave de seguridad y manténgala alejada del cortacésped y de los niños.

⚠ ADVERTENCIA

Utilice sólo piezas de recambio autorizadas en la herramienta. El uso de cualquier otra pieza puede crear un riesgo o causar daño al producto.

⚠ ADVERTENCIA

Mantenga el motor y los compartimentos de la batería libres de hierba, hojas o grasa excesiva. Esto ayudará a reducir el riesgo de incendio.

MANTENIMIENTO GENERAL

Antes de cada uso, inspeccione todo el producto para comprobar si hay piezas dañadas, extraviadas o sueltas como tornillos, tuercas, pernos, tapas, etc.

Apriete bien todos los tornillos y las tapas y no haga funcionar el producto hasta que todas las partes que faltan o dañadas sean reemplazadas. Llame al Servicio de atención al Cliente de Greenworks tools para recibir asistencia. Evite el uso de disolventes para limpiar las piezas de plástico. La mayoría de los plásticos son susceptibles a daños de varios tipos de solventes comerciales y pueden dañarse por su uso. Use un paño limpio para limpiar la suciedad, polvo, aceite, grasa, etc. de la herramienta.

⚠ ADVERTENCIA

Para reducir en lo posible los riesgos de provocar daños o crear situaciones de peligro, nunca limpie la herramienta con una hidrolimpiadora o bajo el chorro de una manguera.

Español (Traducción de las instrucciones originales)

⚠ ADVERTENCIA

Almacene únicamente la herramienta en interiores. Cuando vaya a limpiarlo o almacenar el cortacésped, asegúrese siempre de retirar el acumulador tanto de este como del cargador.

⚠ ADVERTENCIA

No permita en ningún momento que las piezas de plástico entren en contacto con líquido de frenos, gasolina, productos derivados del petróleo, aceites penetrantes, etc. Los productos químicos pueden dañar, destruir o debilitar el plástico, lo que puede ocasionar graves daños personales.

Periódicamente verifique que si todas las tuercas y pernos tienen el ajuste apropiado para garantizar el funcionamiento seguro del cortacésped.

Limpie el cortacésped de vez en cuando con un paño seco. No use agua.

LUBRICACIÓN

Todos los cojinetes en este producto se lubrican con una cantidad suficiente de lubricante de alta calidad para la vida útil de la unidad bajo condiciones operativas normales. Por consiguiente, no se requiere más lubricación de los cojinetes.

⚠ ADVERTENCIA

Siempre proteja sus manos al usar guantes resistentes y/o al envolver los bordes cortantes de la cuchilla con trapos y otros materiales al realizar el mantenimiento de la cuchilla. Si entra en contacto con la hoja se pueden producir lesiones personales graves.

⚠ ADVERTENCIA

No lubrique ninguno de los componentes de las ruedas. La lubricación puede causar que los componentes de la rueda fallen durante su uso, lo que podría resultar en lesiones personales graves al operador y/o del cortacésped, u otros daños materiales.

REEMPLAZO DE LA CUCHILLA CORTANTE

Ver figura 11-12.

OBSERVACIÓN: Sólo utilice hojas de recambio autorizadas. Reemplace las hojas y tornillos desgastados o dañados en grupos para preservar el equilibrio.

- Detenga el motor y retire la llave de la batería. Deje que la hoja se detenga por completo.
- Extraiga la batería.

- Vire al cortacésped sobre su lado.
- Acúfite un bloque de madera entre la cuchilla y la plataforma del cortacésped para evitar que la cuchilla se devuelva.
- Afloje el tornillo de la hoja girándola en sentido antihorario (visto desde la parte inferior del cortacésped) utilizando una llave o toma de corriente de 27 mm (no incluidos).
- Retire el perno de la cuchilla y la cuchilla.
- Coloque la nueva cuchilla en el eje. Asegúrese de que la hoja está bien colocada con el eje colocado a través del orificio central de la hoja y de que los dos postes de la hoja del ventilador se han insertado en sus respectivos orificios en la hoja. Asegúrese de que está instalada con los extremos curvos apuntando hacia la plataforma de corte y no hacia el suelo. Cuando esté correctamente asentada, la hoja debe estar plana sobre el ventilador.
- Enrosque el perno de la cuchilla en el eje y apriételo con el dedo.
- Apriete la tuerca de la hoja hacia abajo y hacia la derecha con una llave de torsión (no incluida) para asegurar que el tornillo esté bien apretado. El par recomendado para la tuerca de la hoja es de 62.5~71.5 kgf cm (350-400 in. lb).

TUTELA DEL MEDIO AMBIENTE

- La protección del ambiente debe ser un aspecto relevante y prioritario en el uso de la máquina, a beneficio de la convivencia civil y del ambiente en el que vivimos. Evitar ser un elemento de disturbio para los vecinos.
- Siga escrupulosamente las normas locales para la eliminación de embalajes, aceites, gasolina, filtros, partes deterioradas o cualquier elemento de fuerte impacto ambiental; estos residuos deben separarse y entregarse a los especiales centros de recogida que proveerán al reciclaje de los materiales.
- Respetar escrupulosamente las normas locales sobre la eliminación de los materiales después del corte.
- En el momento de la puesta fuera de servicio, no abandone la máquina en el ambiente, deberá contactar un centro de recogida, según las normas locales vigentes.

Español (Traducción de las instrucciones originales)


RESOLUCIÓN DE PROBLEMAS

Problema	Causa posible	Solución
El mango no está en su posición.	Los pernos de transporte no están instalados correctamente.	Ajuste la altura del mango y asegúrese de que los pernos de transporte estén instalados correctamente.
El cortacésped no arranca.	La batería no tiene una carga baja.	Cargue la batería.
	La batería no funciona o no tiene carga.	Sustituya la batería.
	La llave de la batería no está insertada.	Inserte la llave de la batería.
El cortacésped corta la hierba de forma desigual.	El césped es grueso o desigual o la altura de corte no es la correcta.	Mueva las ruedas a una posición más alta. Todas las ruedas deben ser colocadas a la misma altura de corte del cortacésped para cortar de manera uniforme.
El cortacésped no tritura hierba correctamente.	Los recortes de hierba húmeda se quedan pegados a la parte inferior de la plataforma.	Espere hasta que se seque la hierba antes de cortarla.
El cortacésped es difícil de empujar.	Césped alto, la parte posterior de la envoltura y cuchilla del cortacésped están tapados de mucho césped o la altura del.	Aumente la altura de corte.
La bolsa del cortacésped no se ha colocado correctamente.	La altura de corte es demasiado baja.	Aumente la altura de corte.
El cortacésped vibra a una velocidad más alta.	La hoja está desequilibrada, excesivamente desgastada o gastada de forma desigual.	Vuelva a colocar la hoja.
	El eje del motor está doblado.	Detenga el motor, retire la llave de aislamiento y la batería, desconecte la herramienta de la fuente de alimentación y compruebe si hay daños. Haga que el equipo se repare por un centro de servicio autorizado antes de volverla a arrancar.
El motor se detiene durante el corte.	La altura de corte es demasiado baja.	Aumente la altura de corte.
	La batería no tiene carga.	Cargue la batería.

Si estas soluciones no resuelven el problema póngase en contacto con su proveedor de servicio autorizado.

Italiano (Traduzione dalle istruzioni originali)

CARATTERISTICHE TECNICHE

Tosaerba	2502907
Larghezza di fresatura	46 cm
Altezza del taglio	25 mm - 80 mm
Velocità senza carico	2800 rpm
Velocità funzione semovente	0.5-1.5 m/s
Livello di pressione sonora	LpA :73 dB(A), K:3.0
Livello di potenza sonora misurata	LwA :85.5 dB(A)
Livello di vibrazioni	<2.5 m/s ² , K=1.5
Capacità scatola di raccolta erba	52 L
Peso netto	28 kg
Lama di ricambio	2920407
Batteria	Ioni di litio
Numero modello	2918307 / 2918407
Caricatore batteria	
Numero modello	2918507
Costruzione a doppio isofresento	

16. Vano posteriore
17. Aperetura posteriore scarico
18. Asta porta
19. Ganci
20. Lama
21. Albero motore
22. Ventola
23. Bullone lama
24. Aste lama
25. Tasto di rilascio batteria
26. Presa dispositivo di triturazione
27. Deflettore laterale di scarico
28. Sportello laterale di scarico
29. Blocco di legno (non inclusa)
30. Chiave di servizio (non inclusa)
31. Chiave batteria
32. Leva funzione semovente
33. Comandi velocità funzione semovente

AVVERTENZA

L'utilizzo di gruppi batteria doversi da quello indicato potrà causare rischi di incendi, scosse elettriche o lesioni alla persona.

FAMILIARIZZARE CON IL TOSAERBA

Vedere la figura 1.

L'utilizzo sicuro del prodotto richiede una comprensione delle informazioni sull'utensile contenute in questo manuale d'istruzioni come pure una certa familiarità con il lavoro che si sta svolgendo. Prima di utilizzare questo prodotto, familiarizzare con tutte le caratteristiche di funzionamento e le norme di sicurezza.

INDICATORE CARICA BATTERIA

L'indicatore di carica misura la quantità di carica rimanente nella batteria.

SCATOLA DI RACCOLTA ERBA

La scatola di raccolta erba raccoglie i ritagli d'erba ed evita che vengano scaricati sul prato man mano che si procede con le operazioni di taglio.

LEVA REGOLAZIONE ALTEZZA

La leva di regolazione altezza permette di regolare l'altezza di taglio.

DESCRIZIONE

1. Leva alimentazione
2. Cavo di controllo motore
3. Tasto di avvio
4. Manico superiore
5. Abbassare il manico
6. Leva regolazione altezza
7. Vano batterie
8. Ruote anteriori
9. Ruote posteriori
10. Scatola di raccolta erba
11. Batteria (non inclusa)
12. Manopola impugnatura
13. Manopola
14. Bullone
15. Manico scatola di raccolta erba

Italiano (Traduzione dalle istruzioni originali)

CAVO DI CONTROLLO MOTORE

Il cavo di controllo del motore, situato sul manico superiore del tosaerba, blocca e sblocca il motore e la lama.

CHIAVE INTERRUETTORE

La chiave interruttore deve essere inserita prima che il decespugliatore venga avviato.

PRESA DISPOSITIVO DI TRITURAZIONE

Il tosaerba è dotato di un dispositivo di triturazione che copre le aperture di scarico posteriori che permette alla lama del tosaerba di tagliare e ritagliare l'erba in parti ancora più piccole.

DEFLETTORE LATERALE DI SCARICO

Utilizzare il deflettore laterale di scarico con questo tosaerba quando l'erba è troppo alta per essere triturata o quando si preferisce scaricare lateralmente i detriti. L'erba tagliata prodotta quando si utilizza il deflettore di scarico laterale è di solito meno sminuzzata di quella che si ottiene quando si utilizzano il dispositivo di triturazione e la piastra laterale di triturazione.

SPORTELLO LATERALE DI SCARICO

Il tosaerba è dotato di uno sportello che copre le uscite di scarico laterali e che permette alla lama del tosaerba di tagliare e ritagliare l'erba in parti ancora più piccole nel caso in cui il dispositivo di triturazione sia bloccato o di inviare i ritagli d'erba direttamente al sacchetto di raccolta.

MONTAGGIO

RIMUOVERE L'INVOLUCRO

Questo prodotto deve essere montato.

- Rimuovere il prodotto e gli accessori dalla scatola facendo sempre attenzione. Assicurarsi che tutte le voci indicate nella lista siano incluse.

⚠ AVVERTENZA

Non utilizzare il prodotto se una volta rimosso l'imballo alcune parti indicate nella Lista Parti risultino già montate. Le parti nella presente lista non sono montate sul prodotto dalla ditta produttrice e devono essere installate dall'operatore. Utilizzare un prodotto non montato correttamente potrà causare gravi lesioni personali.

- Controllare attentamente il prodotto assicurandosi che nessuna parte si sia rotta o danneggiata durante il trasporto.
- Non smaltire il materiale dell'imballo fino a che non sia stato attentamente controllato e fino a che il prodotto

non sia stato messo correttamente in funzione.

- Nel caso in cui alcune parti siano danneggiate o mancanti, chiamare il centro servizi Greenworks tools per ricevere assistenza.

PACKING LIST

- Tosaerba
- Chiave batteria
- Scatola di raccolta erba
- Presa dispositivo di triturazione
- Deflettore laterale di scarico
- Manuale dell'operatore
- Manopole
- Bulloni

⚠ AVVERTENZA

Nel caso in cui un componente manchi o sia danneggiato, non tentare di utilizzare l'apparecchio prima di averlo sostituito. L'utilizzo di un prodotto con parti danneggiate o mancanti potrà causare gravi lesioni personali.

⚠ AVVERTENZA

Non tentare di modificare questo utensile o di creare accessori non raccomandati per l'utilizzo con questo prodotto. Tali modifiche equivalgono a un utilizzo non consentito e possono causare situazioni pericolose in grado di provocare gravi lesioni fisiche.

⚠ AVVERTENZA

Non inserire la chiave della batteria fino a che il gruppo chiave non sia completo e non si sia pronti a tagliare l'erba. La mancata osservanza di questa norma potrà causare avvii accidentali e probabili lesioni alla persona.

⚠ AVVERTENZA

Per prevenire l'avvio accidentale che potrà causare gravi lesioni alla persona, rimuovere sempre il gruppo batterie dal prodotto quando si montano le parti.

Italiano (Traduzione dalle istruzioni originali)

⚠ AVVERTENZA

Non mettere in funzione il tosaerba senza i dispositivi di sicurezza correttamente inseriti e funzionanti. Non mettere mai in funzione il tosaerba con dispositivi di sicurezza danneggiati. La mancata osservanza di questa avvertenza può provocare gravi lesioni fisiche.

APRIRE E REGOLARE IL MANICO INFERIORE

Vedere la figura 2.

- Tirare e ruotare le manopole del manico di 90° su entrambi i lati per allentare i manici inferiori su entrambi i lati.
- Spostare i manici inferiori nella posizione di funzionamento. Si potranno dover alzare o abbassare i manici in una posizione comoda per l'operatore. E' possibile scegliere tra 3 posizioni. Rilasciare le manopole del manico per bloccare il manico inferiore nella posizione corretta.

NOTE: Assicurarsi che entrambi i lati siano regolati nella stessa posizione per un montaggio corretto.

INSTALLAZIONE DEL MANICO SUPERIORE

Vedere la figura 3.

- Allineare i fori di supporto sul manico superiore e sul manico inferiore. Inserire i bulloni del carrello e utilizzare le manopole per serrarli. Ripetere le operazioni sull'altro lato.

MONTAGGIO SCATOLA DI RACCOLTA ERBA

Vedere la figura 4.

- Alzare lo sportello di scarico posteriore.
- Alzare il sacchetto raccogliherba dal manico e posizionarlo sotto lo sportello di scarico posteriore in modo che i ganci sul sacchetto di raccolta siano correttamente agganciati sull'asta dello sportello.
- Rilasciare la porta di scarico posteriore. Se installati correttamente i ganci sul sacchetto raccogliherba si estenderanno attraverso le aperture nello sportello di scarico posteriore.

INSTALLARE LA SPINA DEL DISPOSITIVO DI TRITURAZIONE

Vedere la figura 5.

- Alzare e reggere lo sportello posteriore di scarico.
- Prendere la spina del dispositivo di triturazione e inserirla inclinandola leggermente, come indicato.
- Spingere la presa del dispositivo di triturazione al suo posto.
- Abbassare lo sportello di scarico posteriore.

INSTALLARE IL DEFLETTORE DI SCARICO LATERALE

Vedere la figura 6.

NOTA: Quando si utilizza il deflettore di scarico, non installare la scatola di raccolta erba. Il dispositivo di triturazione deve rimanere installato.

- Alzare lo sportello di scarico laterale.
- Allineare tutti i ganci sul deflettore con l'asta della cerniera sulla parte interna del vano batterie.
- Abbassare il deflettore fino a che i ganci non siano assicurati sull'asta del cardine dello sportello di triturazione.
- Rilasciare il deflettore e lo sportello del vano di scarico laterale.

REGOLAZIONE ALTEZZA TAGLIO

Vedere la figura 7.

Quando si rimuove dall'imballo, le ruote dell'utensile sono fissate a un'altezza di taglio bassa. Prima di utilizzare il tosaerba per la prima volta regolare la posizione di taglio all'altezza che meglio si adatta alla zona di lavoro. La lunghezza media dell'erba da tagliare dovrà essere compresa tra i 38mm e i 51mm durante i mesi freddi e tra i 51mm e i 70mm durante i mesi caldi.

Per regolare l'altezza della lama

- Per alzare l'altezza della lama, spostare la leva di regolazione altezza verso la parte posteriore del tosaerba.
- Per abbassare l'altezza della lama, spostare la leva di regolazione altezza verso la parte anteriore del tosaerba.

UTILIZZO

⚠ AVVERTENZE

Fare sempre attenzione, anche dopo avere acquisito dimestichezza con l'apparecchio. Non dimenticare mai che basta un secondo di distrazione per ferirsi in modo grave.

⚠ AVVERTENZE

Indossare sempre occhiali di protezione. La mancata osservanza di questa norma, nel caso di proiezione di corpi estranei, potrebbe causare gravi lesioni oculari.

Italiano (Traduzione dalle istruzioni originali)

⚠ AVVERTENZE

Non utilizzare componenti o accessori diversi da quelli raccomandati dal produttore per questo apparecchio. L'impiego di componenti o accessori non raccomandati può comportare il rischio di gravi lesioni.

⚠ AVVERTENZE

Prima dell'utilizzo controllare sempre che il tosaerba non presenti parti mancanti o danneggiate e che la lama non sia danneggiata o usurata in maniera eccessiva o irregolare. L'utilizzo di un prodotto con parti danneggiate o mancanti potrà causare gravi lesioni personali.

- Non inclinare l'utensile mentre si avvia il motore o accende il motore a meno che il tosaerba non debba essere inclinato per venire avviato. In questo caso non inclinarlo a meno che non sia assolutamente necessario farlo e alzare solo la parte più lontana dall'operatore.
- Non avviare il motore posizionandosi davanti al tubo di scarico.
- Tenere mani e piedi lontani dalle parti rotanti. Tenersi sempre lontani dalle griglie di scarico.

PER INSTALLARE IL GRUPPO BATTERIE

Vedere la figura 8.

- Alzare e reggere il coperchio del vano batterie.
- Allineare la batteria con la porta della batteria del decespugliatore.
- Assicurarsi che il tasto di rilascio batteria scatti al suo posto e che la batteria sia correttamente inserita e assicurare il tutto nel decespugliatore prima di iniziare le operazioni.
- Inserire la chiave della batteria.
- Se l'utensile non dovrà essere utilizzato immediatamente, non inserire la chiave della batteria.
- Chiudere lo sportello.

PER RIMUOVERE IL GRUPPO BATTERIE

Vedere la figura 8.

- Rilasciare la leva di alimentazione per arrestare il prodotto.
- Aprire il vano di accesso al vano batteria.
- Rimuovere la chiave della batteria.
- Premere il tasto di rilascio batteria sul decespugliatore. Ciò farà fuoriuscire di poco la batteria dall'utensile.

- Rimuovere la batteria dal prodotto.

RIEMPIMENTO DEL SERBATOIO

Vedere la figura 9.

- Premere e tenere premuto il tasto di sicurezza.
- Estrarre la leva di avvio verso l'alto fino all'impugnatura per avviare il tagliaerba e rilasciare il tasto di sicurezza blocco.
- Per arrestare il decespugliatore, rilasciare la leva di controllo interruttore.

NOTE: Si potrà verificare un rumore piuttosto alto e delle scintille quando il motore elettrico decelera. Ciò è normale.

OPERAZIONI DI TOSATURA CON FUNZIONE SEMOVENTE

Vedere la Figura 9

Per attivare la funzione semovente:

- Aprire il vano batterie.
- Inserire la batteria.
- Inserire la chiave della batteria.
- Estrarre la leva funzione semovente verso l'alto per fare in modo che venga bloccata dalla maniglia.

Per disattivare la funzione semovente:

- Rilasciare la leva semovente.

Per regolare la velocità della funzione semovente:

- Spingere la leva di controllo velocità variabile verso il Simbolo Lepre per aumentare la velocità.
- Spingere la leva di controllo della velocità verso il Simbolo Tartaruga per diminuire la velocità.

CONSIGLI DI TAGLIO

- Assicurarsi che non vi siano pietre, rami, cavi e altri oggetti che potranno danneggiare l'utensile o il suo motore. Non passare il tosaerba su staccionate o aste metalliche. Tali oggetti potranno, entrando in contatto con le lame, rimbalzare colpendo l'operatore, causando gravi lesioni personali all'operatore e ad altri eventuali osservatori.
- Per un prato perfetto, ridurre sempre i fili d'erba di un terzo della lunghezza totale.
- Non tagliare l'erba bagnata, l'erba bagnata potrà ingolfare la parte inferiore della macchina rimanendo ad essa incollata invece di finire correttamente nel cestello o nello scarico.
- Erba nuova o spessa potrà aver bisogno di un taglio più stretto o di un'altezza di taglio più alta.
- Pulire la parte interna della macchina dopo ogni utilizzo per rimuovere scarti d'erba, foglie, sporco ed

Italiano (Traduzione dalle istruzioni originali)

altri materiali accumulatisi.

- Quando si taglia erba alta, ridurre la propria velocità per permettere un taglio più efficace e una raccolta migliore degli scarti.

NOTA: Arrestare sempre il tagliaerba, lasciare che le lame si arrestino completamente e rimuovere la chiave della batteria prima di svolgere le operazioni di pulizia sotto il tagliaerba.

FUNZIONAMENTO SU PENDII

⚠ AVVERTENZE

Lavorare sui pendii è una delle principali cause di incidenti che possono risultare in gravi lesioni personali. Lavorare su pendii richiede un'attenzione maggiore. Se non ci si sente a proprio agio nello svolgere tali operazioni, evitarle. Per la propria incolumità non tentare di lavorare su zone con una pendenza di oltre 15°.

⚠ AVVERTENZE

Mantenere la funzione semovente a bassa velocità quando si lavora su un pendio.

- Operare un taglio obliquo sui pendii, non tagliare mai passando il tosaerba in su e in giù. Fare estrema attenzione quando si cambia direzione sui pendii.
- Evitare buchi, solchi, rocce, oggetti nascosti o irregolarità nel terreno che possono causare scivolate o cadute. L'erba alta può nascondere ostacoli. Rimuovere tutti gli oggetti come rocce, rami, ecc. che potrebbero incastrarsi tra le lame ed essere scagliati verso l'operatore.
- Mantenere sempre l'equilibrio. Si potranno riportare gravi lesioni personali scivolando e cadendo. Nel caso in cui si stia per perdere l'equilibrio, rilasciare la leva dell'alimentazione immediatamente.
- Non utilizzare il tosaerba nei pressi di pendii, solchi o rive; in caso contrario sarà facile perdere l'equilibrio.

SVUOTARE LA SCATOLA DI RACCOLTA POLVERE

Vedere la figura 10.

- Arrestare il tagliaerba, attendere che la lama si sia arrestata e rimuovere la chiave della batteria.
- Alzare lo sportello posteriore.
- Alzare la scatola di raccolta erba dal manico e rimuoverla dal tosaerba.
- Svuotare il cestello.
- Alzare lo sportello posteriore e reinstallare la scatola di raccolta erba come descritto precedentemente nel

presente manuale.

MANUTENZIONE

⚠ AVVERTENZA

Prima di svolgere le operazioni di manutenzione, assicurarsi che la batteria del tagliaerba e la chiave della batteria siano state rimosse per evitare l'avvio accidentale e gravi lesioni alla persona.

⚠ AVVERTENZA

Per evitare avvio accidentale o utilizzo non autorizzato, il tagliaerba senza cavo è dotato di una chiave di sicurezza rimovibile. Per disattivare completamente il tagliaerba, la chiave di sicurezza dovrebbe essere rimossa e tenuta lontana dal tagliaerba e lontano dalla portata dei bambini.

⚠ AVVERTENZA

Durante le operazioni di manutenzione, utilizzare solo parti di ricambio autorizzate. Utilizzare parti di ricambio diverse potrà causare rischi o danneggiare il prodotto.

⚠ AVVERTENZA

Rimuovere olio, foglie o grasso eccessivo dal motore e dal vano batterie. Ciò aiuterà a ridurre il rischio d'incendio.

MANUTENZIONE GENERALE

Prima dell'uso controllare il prodotto per individuare danni, parti mancanti o allentate come viti, dadi, bulloni, coperchi, ecc.

Serrare tutti i dispositivi di chiusura e i coperchi e non mettere il funzione il prodotto fin non a che tutte le parti mancanti o danneggiate non siano state sostituite. Chiamare il Servizio Assistenza Clienti Greenworks tools per ricevere assistenza. Evitare di utilizzare solventi quando si puliscono le parti in plastica. La maggior parte dei materiali plastici è soggetta a danni di vario tipo da solventi commerciali e può essere danneggiata dal contatto con gli stessi. Utilizzare un panno pulito per rimuovere tracce di sporco, polvere, olio, grasso ecc.

⚠ AVVERTENZA

Per ridurre il rischio di danni e pericoli, non pulire l'apparecchio con idropultrici o sotto l'acqua corrente.

Italiano (Traduzione dalle istruzioni originali)

⚠ AVVERTENZA

Riporre in interni. Rimuovere la batteria dal tosaerba e dal caricabatteria durante la pulizia o prima di stoccare l'apparecchio.

⚠ AVVERTENZA

Evitare che sostanze come sostanze per freni, benzina, prodotti a base di petrolio, oli penetranti, ecc. entrino in contatto con parti in plastica. Le sostanze chimiche potranno danneggiare, indebolire o distruggere la plastica, il che potrà risultare in gravi lesioni personali.

Controllare periodicamente tutte le viti e i bulloni per assicurarsi il corretto funzionamento dell'utensile.

Pulire occasionalmente con un panno asciutto. Non utilizzare acqua.

LUBRIFICAZIONE

Tutti i cuscinetti di questo utensile sono stati lubrificati con una quantità sufficiente di olio che garantisce una lunga durata all'apparecchio nelle normali condizioni d'uso. Non si necessita quindi di alcuna ulteriore lubrificazione.

⚠ AVVERTENZA

Proteggere sempre le mani indossando guanti da lavoro spessi e/o avvolgendo le punte delle lame in un panno o in un materiale di protezione quando si svolgono le operazioni di manutenzione sull'utensile. Il contatto con la lama potrà causare gravi lesioni personali.

⚠ AVVERTENZE

Non lubrificare i componenti delle ruote. La lubrificazione potrà impedire ai componenti della ruota di funzionare correttamente durante l'uso, il che potrà causare gravi lesioni personali all'operatore e/o all'utensile o a cose.

SOSTITUZIONE DELLA LAMA DI TAGLIO

Vedere la figura 11-12.

NOTA: Utilizzare solo lame di ricambio autorizzate. Sostituire le lame usurate o danneggiate e i bulloni tutti assieme per mantenere l'equilibrio.

- Arrestare il motore e rimuovere la chiave della batteria. Attendere che le lame si arrestino completamente.
- Rimuovere il gruppo batterie.
- Posizionare il tosaerba su un fi anco.
- Infilare quindi cunei di legno tra la lama e il piatto di taglio per evitare che la lama giri.

- Allentare il bullone della lama girandolo in senso anti-orario (come indicato nella parte inferiore del decespugliatore) utilizzando una chiave da 27 mm o una presa (non inclusa).
- Rimuovere il bullone della lama e la lama.
- Posizionare la nuova lama sull'asta. Assicurarsi che la lama sia correttamente montata con l'albero che passa attraverso il foro centrale della lama e le due aste della lama sulla ventola inserite nei rispettivi fori sulla lama. Assicurarsi che la lama sia installata con le estremità curve rivolte verso la sede del decespugliatore e non verso il terreno. Se montata correttamente la lama sarà piatta contro la ventola.
- Avvitare il bullone della lama sull'albero e serrare con le dita.
- Girare il dado della lama in senso orario utilizzando una chiave (non fornita) per assicurarsi che il bullone sia stato completamente serrato. La torsione raccomandata per il dado della lama è di 62.5-71.5 kgf cm (350-400 in. lb).

TUTELA AMBIENTALE

- La tutela dell'ambiente deve essere un aspetto rilevante e prioritario nell'uso della macchina, a beneficio della convivenza civile e dell'ambiente in cui viviamo. Evitare di essere un elemento di disturbo nei confronti del vicinato.
- Seguire scrupolosamente le norme locali per lo smaltimento di imballi, olii, benzina, filtri, parti deteriorate o qualsiasi elemento a forte impatto ambientale; questi rifiuti non devono essere gettati nella spazzatura, ma devono essere separati e conferiti agli appositi centri di raccolta, che provvederanno al riciclaggio dei materiali.
- Seguire scrupolosamente le norme locali per lo smaltimento dei materiali di risulta dopo il taglio.
- Al momento della messa fuori servizio, non abbandonare la macchina nell'ambiente, ma rivolgersi a un centro di raccolta, secondo le norme locali vigenti.

Italiano (Traduzione dalle istruzioni originali)


RISOLUZIONE DEI PROBLEMI

PROBLEMA	CAUSA	SOLUZIONE
Il manico non è in posizione corretta.	I bulloni dell'utensile non sono inseriti correttamente.	Regolare l'altezza dei manici e assicurarsi che i dadi siano stati correttamente serrati.
Il tosaerba non si avvia.	Batteria con carica bassa.	Caricare la batteria.
	La batteria non è utilizzabile oppure non si ricarica.	Sostituire le batterie.
	La chiave della batteria non è stata inserita.	Inserire la chiave della batteria.
Il tosaerba taglia l'erba in maniera non uniforme.	Il prato è incolto, irregolare o l'altezza di taglio non è stata correttamente impostata.	Spostare le ruote a una posizione più alta. Le quattro ruote dovranno essere posizionate alla stessa altezza per fare in modo che l'utensile possa svolgere operazioni di taglio precise.
Il tosaerba non tritura correttamente il materiale.	L'erba bagnata potrà rimanere incollata alla parte interna del tosaerba.	Attendere che l'erba si sia completamente asciugata prima di procedere con le operazioni di taglio.
Il tosaerba è difficile da spingere.	Erba alta, sede posteriore del tosaerba e lame immerse nell'erba alta o altezza di taglio troppo bassa.	Alzare l'altezza di taglio.
Il sacchetto per l'erba non riesce a contenere correttamente il materiale.	L'altezza di taglio è troppo bassa.	Alzare l'altezza di taglio.
Il tosaerba vibra ad alta velocità.	La lama non è ben equilibrata, è eccessivamente usurata o usurata in maniera non uniforme.	Sostituire la lama consumata in modo o danneggiata.
	L'albero del motore è piegato.	Arrestare il motore, rimuovere la chiave dell'isolatore e la batteria, scollegare dalla fonte di alimentazione e controllare i danni. Far riparare il tosaerba da un centro servizi autorizzato prima di utilizzare di nuovo l'utensile.
Il motore si blocca durante le operazioni di taglio.	L'altezza di taglio è troppo bassa.	Alzare l'altezza di taglio.
	La batteria è scarica.	Caricare la batteria.

Nel caso in cui queste soluzioni non risolvano il problema contattare il proprio rivenditore autorizzato.

Français (Traduction à partir du mode d'emploi d'origine)

CARACTÉRISTIQUES TECHNIQUES

Tondeuse à gazon	2502907
Largeur de fraisage	46 cm
Hauteur de coupe	25 mm - 80 mm
Vitesse de rotation	2800 rpm
Vitesse auto tracté	0.5-1.5 m/s
Niveau de pression sonore	LpA :73 dB(A), K:3.0
Niveau de puissance sonore mesuré	LwA :85.5 dB(A)
Niveau de vibrations	<2.5 m/s ² , K=1.5
Contenance du panier	52 L
Poids net	28 kg
Lame de remplacement	2920407
Batterie	Lithium-ion
Numéro de modèle	2918307 / 2918407
Chargeur de batterie	
Numéro de modèle	2918507
Construction à double isolation	

19. Crochets
20. Lame
21. Arbre moteur
22. Ventilateur
23. Boulon de lame
24. Pions de centrage de lame
25. Déclencheur de pile
26. Accessoire de paillage
27. Déflecteur d'évacuation latérale
28. Trappe d'évacuation latérale
29. Bloc de bois (non compris)
30. Clé de service (non compris)
31. Clé de la batterie
32. Levier de traction
33. Commutateurs de réglage de la vitesse pour la traction

AVERTISSEMENT

L'utilisation de tout autre pack batterie peut entraîner un incendie, une décharge électrique, ou des blessures.

APPRENEZ À CONNAÎTRE VOTRE TONDEUSE À GAZON

Voir figure 1.

L'utilisation en toute sécurité de ce produit nécessite de bien comprendre les informations apposées sur l'outil et présentes dans ce mode d'emploi, ainsi que de bien connaître le travail à effectuer. Avant d'utiliser cet appareil, familiarisez-vous avec toutes ses fonctionnalités et règles de sécurité.

JAUGE DE BATTERIE

La jauge de batterie mesure la quantité de charge restant dans la batterie.

PANIER

Le panier collecte l'herbe coupée et l'empêche d'être répandue sur votre gazon pendant la tonte.

LEVIER DE RÉGLAGE DE HAUTEUR DE COUPE

Le levier de réglage de hauteur permet d'ajuster la hauteur de coupe.

CÂBLE DE COMMANDE DU MOTEUR

Le câble de commande moteur, situé sur le guidon supérieur de la tondeuse, embraye et débraye la lame sur le moteur.

DESCRIPTION

1. Levier d'alimentation
2. Câble de commande du moteur
3. Bouton de mise en marche
4. Poignée supérieure
5. Poignée inférieure
6. Levier de réglage de hauteur de coupe
7. Trappe de la batterie
8. Roue avant
9. Roue arrière
10. Panier
11. Batterie
12. Bouton de poignée
13. Bouton
14. Verrou
15. Poignée du panier
16. Trappe arrière
17. Ouverture d'évacuation arrière
18. Axe de trappe

Français (Traduction à partir du mode d'emploi d'origine)

CLÉ DE SÉCURITÉ

La clé de sécurité doit être insérée avant que la tondeuse à gazon peut être démarrée.

ACCESSOIRE DE PAILLAGE

Votre tondeuse est équipée d'un accessoire de paillage qui recouvre l'ouverture d'évacuation arrière, ce qui lui permet de couper et de recouper l'herbe afin d'obtenir des brins plus fins.

DÉFLECTEUR D'ÉVACUATION LATÉRALE

Utilisez le panneau d'évacuation latéral avec la tondeuse lorsque l'herbe est trop haute pour être paillée ou lorsque vous préférez une évacuation par le côté. La taille des brins d'herbe produits lors de l'utilisation du déflecteur d'évacuation latérale est sensiblement supérieure à celle des brins produits lors de l'utilisation de l'accessoire de paillage et du panneau latéral de paillage.

TRAPPE D'ÉVACUATION LATÉRALE

Votre tondeuse est équipée d'une trappe qui recouvre l'ouverture d'évacuation latérale, ce qui permet à sa lame de couper et de recouper plus nement les brins d'herbe lorsque l'accessoire de paillage est en place, ou d'évacuer l'herbe vers le panier.

MONTAGE

DÉBALLAGE

Cet appareil doit être assemblé.

- Sortez délicatement le produit ainsi que tous ses accessoires de l'emballage. Assurez-vous que tous les éléments listés sont bien présents.

⚠ AVERTISSEMENT

N'utilisez pas cet appareil si une des pièces présentes dans la liste y est déjà montée lorsque vous le déballez. Les pièces présentes sur la liste ne sont pas montées sur l'appareil par le fabricant et doivent l'être par l'utilisateur. L'utilisation d'un appareil qui aurait pu être mal monté est susceptible d'entraîner de graves blessures.

- Vérifiez le produit avec soin afin de vous assurer qu'il n'a pas été cassé ou endommagé durant le transport.
- Ne jetez pas les emballages avant d'avoir vérifié et utilisé avec succès le produit.
- Si une pièce quelconque est manquante ou abîmée, veuillez appeler le service clientèle Greenworks tools pour obtenir de l'aide.

CONTENU DE L'EMBALLAGE

- Tondeuse à gazon
- Clé de la batterie
- Panier
- Accessoire de paillage
- Déflecteur d'évacuation latérale
- Manuel utilisateur
- Commandes de réglage
- Boulons

⚠ AVERTISSEMENT

Si une quelconque pièce ou partie de cette tondeuse est manquante ou endommagée, ne l'utilisez pas avant d'avoir changé la pièce. L'utilisation d'un produit ayant des pièces manquantes ou abîmées peut entraîner de graves blessures.

⚠ AVERTISSEMENT

Ne tentez pas de modifier cet appareil ou de fabriquer des accessoires non recommandés pour l'utilisation avec ce produit. Toute altération ou modification de ce type constitue un mésusage et peut entraîner des dangers susceptibles de provoquer des blessures graves.

⚠ AVERTISSEMENT

N'insérez pas la clé de la batterie avant la fin de l'assemblage et avant d'avoir terminé de préparer la tondeuse pour la tonte. Ne pas respecter cet avertissement peut causer un démarrage accidentel ou de graves blessures.

⚠ AVERTISSEMENT

Pour éviter toute mise en route accidentelle qui pourrait entraîner de graves blessures, retirez toujours le batterie du produit lorsque vous-y montez des accessoires.

⚠ AVERTISSEMENT

Ne faites jamais fonctionner la tondeuse sans que ses dispositifs de sécurité soient en place et opérationnels. N'utilisez jamais de tondeuse dont les éléments de sécurité sont endommagés. L'utilisation d'une tondeuse dont des pièces sont manquantes ou endommagées peut entraîner de graves blessures.

Français (Traduction à partir du mode d'emploi d'origine)

DEPLIAGE ET REGLAGE DE LA POIGNEE INFERIEURE

Voir figure 2.

- Tirez les boutons de poignée et les tournez à 90° sur les deux côtés pour desserrer les poignées inférieures.
- Déplacez les poignées inférieures vers la position d'exploitation. Vous pouvez monter or baisser la poignée à une position qui vous convient. Il y a 3 positions pour vous à choisir. Relâchez les boutons de poignée afin de verrouiller la poignée inférieure dans sa position.

NOTE: Assurez que les deux côtés sont réglés à la même position pour l'assemblage correct.

LE FAIT D'INSTALLER LA POIGNÉE SUPÉRIEURE

Voir figure 3.

- Alignez les trous de montage sur la poignée supérieure et la poignée inférieure. Insérez les boulons à carrosserie et utilisez les boutons pour les serrer. Répétez l'opération à l'autre côté.

MISE EN PLACE DU PANIER

Voir figure 4.

- Soulevez la trappe arrière d'éjection.
- Relevez le sac à herbe par sa poignée et le placez sous le couvercle de décharge arrière afin que les crochets du sac à herbe sont enfoncés sur la tige de couvercle.
- Relâchez le couvercle arrière de décharge. Une fois installée correctement, les crochets du sac à herbe s'étendent à travers des ouvertures sur le couvercle arrière de décharge.

MISE EN PLACE DE L'ACCESSOIRE DE PAILLAGE

Voir figure 5.

- Soulevez et maintenez la trappe d'éjection arrière.
- Saisissez l'accessoire de paillage par sa poignée et insérez-le avec un léger angle, comme illustré.
- Poussez fermement sur l'accessoire de paillage pour le mettre en place.
- Abaissez la trappe d'éjection arrière.

MONTAGE DE LA SORTIE D'ÉVACUATION LATÉRALE

Voir figure 6.

REMARQUE: Lorsque vous utilisez le dé ecteur d'évacuation latérale, n'installez pas le panier. L'accessoire de paillage doit rester en place.

- Soulevez la trappe du dé ecteur latéral.
- Alignez les crochets du dé ecteur avec l'axe de la charnière à l'intérieur de la trappe.
- Abaissez le dé ecteur jusqu'à ce que les crochets soient en place sur l'axe de la charnière de la trappe de paillage.

- Relâchez le dé ecteur et la trappe d'évacuation arrière.

RÉGLAGE DE LA HAUTEUR DE COUPE

Voir figure 7.

La tondeuse est livrée avec un réglage de hauteur de coupe en position basse. Avant de l'utiliser pour la première fois votre tondeuse, réglez la hauteur de coupe de façon optimale pour votre pelouse. La hauteur du gazon doit être comprise entre 38mm et 51mm pendant les mois froids et entre 51mm et 70mm les mois chauds.

Réglage de la hauteur de lame

- Pour augmenter la hauteur de coupe, saisissez le levier de réglage et déplacez-le vers l'arrière de la tondeuse.
- Pour diminuer la hauteur de coupe, saisissez le levier de réglage et déplacez-le vers l'avant de la tondeuse.

UTILISATION

⚠ AVERTISSEMENT

Ne relâchez pas votre vigilance une fois familiarisé avec votre appareil. N'oubliez jamais qu'il suffi t d'une seconde d'inattention pour vous blesser gravement.

⚠ AVERTISSEMENT

Portez toujours une protection oculaire. Le non-respect de cette consigne peut entraîner la projection de corps étrangers dans vos yeux et provoquer des lésions oculaires graves.

⚠ AVERTISSEMENT

N'utilisez pas de pièces ou accessoires autres que ceux recommandés par le fabricant pour cet appareil. L'utilisation de pièces ou accessoires non recommandés peut entraîner des risques de blessures graves.

⚠ AVERTISSEMENT

Vérifi ez toujours la tondeuse pour vous assurer qu'aucune pièce n'est manquante et que la lame n'est pas déséquilibrée, endommagée, ou usée de façon excessive. L'utilisation d'un produit ayant des pièces manquantes ou abîmées peut entraîner de graves blessures.

- Ne basculez pas la tondeuse lorsque vous démarrez le moteur ou que vous le mettez en marche, à moins que la tondeuse à gazon ne doive être inclinée pour démarrer. Dans ce cas, ne la basculez pas plus qu'il est absolument nécessaire et ne soulevez que la partie la plus éloignée de l'utilisateur.

Français (Traduction à partir du mode d'emploi d'origine)

- Ne vous tenez pas en face de la trappe d'éjection lorsque vous démarrez la tondeuse.
- Ne mettez pas vos pieds ou vos mains sous les pièces en rotation ou à leur proximité. Tenez-vous toujours à l'écart de la sortie d'évacuation.

Pour des instructions complètes concernant la charge, reportez-vous au Manuel Utilisateur des packs batterie et des chargeurs listés dans le chapitre des caractéristiques.

MISE EN PLACE DU PACK BATTERIE

Voir figure 8.

- Soulevez et maintenez le couvercle batterie.
- Alignez la pile avec la prise pile de la tondeuse à gazon.
- Assurez-vous que le déclencheur de pile s'enclenche et que la pile est bien située et sécurisée dans la tondeuse à gazon avant de commencer l'exploitation.
- Insérez la clé de la batterie.
- Si vous pensez ne pas utiliser la batterie sous peu, n'insérez pas la clé de la batterie
- Fermez la trappe.

RETRAIT DU PACK BATTERIE

Voir figure 8.

- Relâchez le levier d'alimentation pour arrêter le produit.
- Ouvrez la porte du compartiment à batterie pour accéder au compartiment batterie.
- Retirez la clé de la batterie.
- Appuyez le déclencheur de pile (3) sur la tondeuse à gazon. Ceci fera la pile levée un peu de l'outil.
- Retirez le pack batterie du produit.

DÉMARRAGE/ARRÊT DE LA TONDEUSE

Voir figure 9.

- Pressez et maintenez enfoncé le bouton de verrouillage de sécurité.
- Soulevez le levier de puissance en direction de la poignée pour démarrer la tondeuse et relâchez le bouton.
- Pour arrêter la tondeuse, relâchez le levier d'alimentation.

REMARQUE: Il peut y avoir un bruit aigu et des étincelles quand le moteur électrique décélère. Ceci est normal.

TONDEUSE À TRACTION

Voir figure 9.

Pour activer la fonction de traction :

- Ouvrez le couvercle de la batterie.
- Insérez la batterie.

- Insérez la clé de la batterie.
- Positionnez le levier de traction vers le haut pour que celui-ci s'aligne avec la poignée.

Pour désactiver la fonction de traction :

- Relâchez le levier de traction.

Pour régler la vitesse de la traction :

- Positionnez le levier de réglage de la vitesse vers l'avant sur le symbole du lapin pour accélérer.
- Positionnez le levier de réglage de la vitesse vers l'avant sur le symbole de la tortue pour ralentir.

CONSEILS DE TONTE

- Assurez-vous que la pelouse est libre de pierres, bâtons, câbles, et autres objets susceptibles d'endommager les lames ou le moteur de la tondeuse. Ne tondez pas au niveau des poteaux de propriétés ou autres poteaux métalliques. De tels objets pourraient être accidentellement projetés dans n'importe quelle direction et causer de graves blessures à l'opérateur ou à d'autres personnes.
- Pour la santé du gazon, coupez toujours un tiers de la hauteur totale de l'herbe ou moins.
- Ne tondez pas d'herbe mouillée, elle se collerait à l'intérieur du carter de lame et ne s'éjecterait pas correctement à travers la trappe d'éjection ou dans le bac de ramassage.
- L'herbe épaisse ou les nouvelles pousses peuvent nécessiter une largeur de coupe moins importante ou une hauteur de coupe plus importante.
- Nettoyez la partie inférieure de la tondeuse après chaque utilisation afin de retirer les déchets de l'herbe, les feuilles, la saleté et tout autre accumulation de débris.
- Lorsque vous coupez de l'herbe haute, réduisez la vitesse de déplacement pour permettre une coupe plus efficace et une évacuation optimale des déchets.

REMARQUE : Arrêtez la tondeuse, laissez les lames s'arrêter entièrement puis retirez la clé de la batterie avant de nettoyer la partie inférieure de la tondeuse.

TONTE D'UN TERRAIN EN PENTE

AVERTISSEMENT

Les terrains en pente sont source de glissades, de chutes, et d'accidents pouvant provoquer de graves blessures. La tonte d'un terrain pentu demande des précautions supplémentaires. Si vous ne vous sentez pas en confiance sur un terrain en pente, ne le tondez pas. Pour votre sécurité, ne tenez pas de tondre un terrain présentant une pente supérieure à 15 degrés.

Français (Traduction à partir du mode d'emploi d'origine)

⚠ AVERTISSEMENT

Maintenez le fonctionnement auto-tractionné à basse vitesse lorsque vous montez une pente.

- Tondez transversalement par rapport à la pente, jamais en la remontant ou en la descendant. Redoublez de vigilance lorsque vous changez de direction sur une pente.
- Prenez garde aux trous, racines, pierres, objets cachés, ou buttes qui peuvent vous faire glisser ou trébucher. Les herbes hautes peuvent masquer les obstacles. Retirez tous les objets tels que pierres, branches, etc. qui pourraient vous faire trébucher ou être projetés par la lame.
- Gardez toujours un bon appui sur vos jambes. Une glissade suivie d'une chute peut être la cause de graves blessures. Si vous sentez que vous perdez l'équilibre, relâchez immédiatement le levier d'alimentation.
- Ne tondez pas à proximité de contrebas, de caniveaux ou de digues. Vous pourriez perdre votre appui et votre équilibre.

VIDAGE DU PANIER

Voir figure 10.

- Arrêtez la tondeuse, laissez la lame s'arrêter entièrement puis retirez la clé de la batterie.
- Soulevez la trappe arrière.
- Soulevez le panier par sa poignée pour le retirer de la tondeuse.
- Videz l'herbe du bac.
- Soulevez la trappe arrière et remettez le panier en place comme décrit plus haut dans ce manuel.

ENTRETIEN

⚠ AVERTISSEMENT

Avant tout entretien, assurez-vous que la batterie de la tondeuse et la clé de la batterie sont retirés afin de prévenir tout démarrage accidentel ou blessure corporelle.

⚠ AVERTISSEMENT

Pour prévenir tout démarrage accidentel ou utilisation non autorisée, la tondeuse sans fil est dotée d'une clé de sécurité amovible. Pour entièrement désarmer la tondeuse, la clé de sécurité doit être retirée et conservée dans un endroit situé à l'écart de la tondeuse et hors de la portée des enfants.

⚠ AVERTISSEMENT

N'effectuez les réparations qu'en utilisant des pièces détachées agréées. L'utilisation de toute autre pièce peut être dangereuse et entraîner des dommages matériels.

⚠ AVERTISSEMENT

Gardez le moteur et le compartiment batterie exempts d'herbe, de feuilles et d'excès de graisse. Cela réduira les risques d'incendie.

ENTRETIEN GÉNÉRAL

Avant chaque utilisation, vérifiez qu'aucun élément du produit tel que vis, écrous, boulons, couvercles, etc. n'est endommagé, manquant ou desserré.

Serrez fermement toutes les attaches et tous les bouchons et n'utilisez pas ce produit tant que tous ses éléments manquant ou endommagés n'ont pas été remplacés. Veuillez appeler le Service Clientèle Greenworks tools pour obtenir de l'aide. Évitez d'utiliser des solvants pour nettoyer les parties en plastique. La plupart des plastiques sont susceptibles d'être endommagés par un grand nombre de solvants du commerce. Utilisez des chiffons propres pour retirer la saleté, les poussières, l'huile, la graisse, etc.

⚠ AVERTISSEMENT

Afin de réduire les risques de dommages et autres dangers, ne nettoyez en aucun cas l'outil sous le robinet ou avec un nettoyeur à haute pression.

⚠ AVERTISSEMENT

Rangement en intérieur seulement. Enlevez toujours la batterie de la tondeuse et du chargeur avant de nettoyer ou ranger l'outil.

⚠ AVERTISSEMENT

Ne laissez jamais du liquide de frein, de l'essence, des produits pétroliers, des huiles pénétrantes, etc. entrer en contact avec les parties en plastique. Les produits chimiques peuvent endommager, affaiblir ou détruire les plastiques, ce qui pourrait entraîner de graves blessures.

Vérifiez régulièrement le bon serrage des boulons et écrous pour assurer la sécurité d'utilisation de la tondeuse.

Nettoyez de temps en temps la tondeuse à l'aide d'un chiffon sec. N'utilisez pas d'eau.

Français (Traduction à partir du mode d'emploi d'origine)

LUBRIFICATION

Tous les roulements de cette tondeuse sont déjà lubrifiés à l'aide d'une quantité de graisse saine pour toute sa durée de vie dans des conditions normales d'utilisation. Aucune autre lubrification des roulements n'est donc nécessaire.

⚠ AVERTISSEMENT

Protégez-vous toujours les mains à l'aide de gants épais et/ou en enroulant les bords coupants de la lame dans des chiffons ou autres matériaux de protection lorsque vous entretenez la lame. Le contact avec la lame peut entraîner de graves blessures.

⚠ AVERTISSEMENT

Ne lubrifiez aucun élément des roues. Une lubrification pourrait causer une rupture des composants des roues en cours d'utilisation, ce qui pourrait entraîner de graves blessures et/ou des dommages à la tondeuse ou à la propriété d'autrui.

- Serrez l'écrou de lame dans le sens des aiguilles d'une montre à l'aide d'une clé dynamométrique (non fournie) afin de vous assurer que l'écrou est serré de façon correcte. Le couple de serrage recommandé pour la lame est de 62.5~71.5 kgf cm (350~400 in. lb).

PROTECTION DE L'ENVIRONNEMENT

- La protection de l'environnement doit être un aspect important et prioritaire dans l'utilisation de la machine, au profit de la société civile et de l'environnement dans lequel nous vivons. Éviter de déranger le voisinage.
- Suivre scrupuleusement les normes locales pour l'élimination des emballages, des huiles, de l'essence, des pièces détachées ou de tout élément ayant un effet important sur l'environnement; ces déchets ne doivent pas être jetés à la poubelle, mais doivent être séparés et confiés aux centres de collecte prévus, qui procéderont au recyclage des matériaux.
- Suivre scrupuleusement les normes locales pour l'élimination des déchets après la coupe.
- Au moment de la mise hors service, ne pas abandonner la machine dans la nature, mais contacter un centre de collecte, selon les normes locales en vigueur.

REMPACEMENT DE LA LAME DE COUPE

Voir figure 11-12.

REMARQUE: N'utilisez que des lames de rechange agréées. Remplacez toujours les lames usées ou endommagées ainsi que les boulons dans leur ensemble pour conserver l'équilibre.

- Arrêtez le moteur et retirez la clé de la batterie. Laissez la lame s'arrêter complètement.
- Retirez le pack batterie.
- Mettez la tondeuse sur le côté.
- Coincez un bloc de bois entre la lame et son carter pour l'empêcher de tourner.
- Desserrez le boulon de lame en tournant dans le sens antihoraire (comme vue du bas de tondeuse à herbe) en employant un tourne-à-gauche 27 mm ou une prise (non fourni).
- Enlevez le boulon de lame et la lame.
- Positionnez la nouvelle lame sur la manche. Assurez-vous que la lame est positionnée correctement en traversant la manche par le trou centrale de lame et deux postes de lame sur le ventilateur inséré dans leurs trous respectifs sur la lame. Assurez-vous qu'elle est installée avec les extrémités courbées pointant vers le carter de tondeuse et non pas vers le sol. Quand installée correctement, la lame doit être plate contre le ventilateur.
- Filetez le boulon de lame sur la manche et le serrez à main.

Français (Traduction à partir du mode d'emploi d'origine)


GUIDE DE DÉPANNAGE

Problème	Cause possible	Solution
Le guidon n'est pas en position.	Les boulons du chariot ne sont pas bien en place.	Ajustez la hauteur de la poignée et assurez-vous que les boulons du chariot sont bien en place.
La tondeuse ne démarre pas.	La batterie est faiblement chargée	Chargez la batterie.
	La batterie est soit hors service ou n'accepte pas la charge.	Changez la batterie.
	La clé de la batterie n'est pas insérée.	Insérez la clé de la batterie.
La tonte se fait de façon inégale.	La pelouse est dense ou inégale ou la hauteur de coupe n'a pas été réglée de façon correcte.	Réglez les roues en position plus haute. Toutes les roues doivent être réglées à la même hauteur de coupe pour que la tonte se fasse de façon uniforme.
Le paillage se fait mal.	De l'herbe humide coupée s'est agglutinée sous le carter.	Attendez que l'herbe ait séché avant de la tondre.
La tondeuse est difficile à pousser.	Herbes hautes, arrière du carter de la tondeuse et lame agglutinés d'herbe, ou hauteur de coupe trop faible.	Augmentez la hauteur de coupe.
Le ramassage de fait mal.	La hauteur de coupe est réglée trop bas.	Augmentez la hauteur de coupe.
La tondeuse vibre à haut régime.	La lame est déséquilibrée, usée de façon excessive ou usée de façon inégale.	Remplacez la lame.
	L'arbre moteur est tordu.	Arrêtez le moteur, retirez la clé de sécurité et la batterie, débranchez la source d'alimentation, et vérifiez les dommages éventuels. Faites effectuer les réparations par un service après-vente agréé avant de vous resservir de la tondeuse.
Le moteur s'arrête en cours de tonte.	La hauteur de coupe est réglée trop bas.	Augmentez la hauteur de coupe.
	La batterie est déchargée.	Chargez la batterie.

Si ces solutions ne résolvent pas le problème, contactez votre service après-vente agréé.

Portugues (Tradução das instruções originais)

CARACTERÍSTICAS TÉCNICAS

Cortador de relva	2502907
Largura de fresagem	46 cm
Altura de corte	25 mm - 80 mm
Velocidade sem carga	2800 rpm
Velocidade autopropulsionada	0.5-1.5 m/s
Nível de pressão sonora	LpA :73 dB(A), K:3.0
Nível de potência sonora medido	LwA :85.5 dB(A)
Nível de vibração	<2.5 m/s ² , K=1.5
Capacidade da caixa de relva	52 L
Peso líquido	28 kg
Lâmina adicional	2920407
Bateria	Iões de lítio
Número do modelo	2918307 / 2918407
Carregador da bateria	
Número do modelo	2918507
Construção com duplo isolamento	

16. Porta traseira
17. Abertura traseira de descarga
18. Haste da porta
19. Ganchos
20. Lâmina
21. Eixo do motor
22. Ventilador
23. Parafuso da lâmina
24. Pinos da lâmina
25. Botão de libertação da bateria
26. Tomada de "mulching"
27. Deflector de descarga lateral
28. Porta de descarga lateral
29. Bloco de madeira (não incluída)
30. Chave de serviço (não incluída)
31. Chave da bateria
32. Alavanca de autopropulsão
33. Controlos de velocidade autopropulsionado

ADVERTÊNCIA

O uso de qualquer outra bateria pod resultar num risco de incêndio, choque eléctrico ou danos corporais.

FAMILIARIZE-SE COM O CORTADOR DE RELVA

Ver figura 1.

O uso seguro deste aparelho requer uma compreensão das informações na ferramenta e neste manual do utilizador, bem como um conhecimento do projecto que está a preparar. Antes do uso deste aparelho, familiarizese com todas as características operacionais e regras de segurança.

MEDIDOR DA BATERIA

O medidor da bateria mede a quantidade de carga restante na bateria.

CAIXA DE RELVA

O depósito recolhe a erva cortada e impede que se descarregue na relva à medida que a corta.

ALAVANCA REGULADORA DA ALTURA

A alavanca de ajuste de altura proporciona ajustes da altura de corte.

DESCRIÇÃO

1. Alavanca de arranque
2. Cabo de controlo do motor
3. Botão de arranque
4. Pega superior
5. Pega inferior
6. Alavanca reguladora da altura
7. Porta da bateria
8. Roda frontal
9. Roda traseira
10. Caixa de relva
11. Bateria
12. Manipulo da pega
13. Botão
14. Parafusos
15. Pega da caixa de relva

Portugues (Tradução das instruções originais)

CABO DE CONTROLO DO MOTOR

O cabo de controlo do motor, situado na parte superior da braçadeira do cortador de relva, activa e desactiva o motor e a lâmina.

CHAVE DO INTERRUPTOR

A chave do interruptor deve inserir-se antes de arrancar o cortador de relva.

TOMADA DE "MULCHING"

O seu cortador de relva está equipado com um adaptador para triturar que cobre a abertura de descarga traseira, que permite que a lâmina corte e recorte para obter cortes mais finos.

DEFLECTOR DE DESCARGA LATERAL

Utilize o deflector de descarga lateral do cortador de relva quando a erva for demasiado alta para triturar ou quando for preferível a descarga lateral. A erva cortada resultante ao usar o deflector de descarga lateral é notavelmente maior à que se produz ao usar o adaptador para triturar e a placa lateral de trituração.

PORTA DE DESCARGA LATERAL

O seu cortador de relva está equipado com uma porta que cobre a abertura de descarga lateral, que permite que a lâmina corte e recorte a erva, fazendo recortes mais finos se colocar o adaptador para triturar ou para enviar os recortes da erva para o depósito de recolha.

MONTAGEM

DESEMBALAGEM

Este produto requer montagem.

- Remova cuidadosamente o produto e quaisquer acessórios da caixa. Assegure-se de que todos os elementos referidos na lista da embalagem estão incluídos.

ADVERTÊNCIA

Não use este produto caso alguma das peças na Lista da embalagem já se encontre montada no seu produto ao desembalar. As peças nesta lista não são montadas no produto pelo fabricante e requerem a instalação por parte do cliente. O uso de um aparelho que tenha sido montado de forma inadequada poderá causar lesões pessoais graves.

- Inspeccione o produto cuidadosamente para se certificar que não houve quebra ou danos durante o transporte.
- Não deite fora o material da embalagem até ter

inspeccionado cuidadosamente o produto e o ter posto a trabalhar.

- Caso falte alguma peça ou alguma peça esteja danificada, por favor contacte o seu centro de serviço Greenworks tools para ter assistência.

LISTA DE EMBALAGEM

- Cortador de relva
- Chave da bateria
- Caixa de relva
- Tomada de "mulching"
- Deflector de descarga lateral
- Manual do operador
- Botões
- Parafusos

ADVERTÊNCIA

Se qualquer peça estiver danificada ou em falta, não utilize este produto até as peças serem repostas. O uso de um produto com peças em falta ou cujas peças estejam danificadas, pode produzir lesões pessoais graves.

ADVERTÊNCIA

Não tente modificar este produto ou criar acessórios não recomendados para o uso com este produto. Quaisquer destas alterações ou modificações representam um uso indevido e pode resultar em condições perigosas ocasionando eventuais ferimentos graves pessoais.

ADVERTÊNCIA

Não insira a chave da bateria até que a montagem esteja completa e você esteja preparado para cortar. A inobservância desta instrução pode resultar em arranque acidental e possíveis lesões pessoais graves.

ADVERTÊNCIA

Não insira a chave de isolamento até que a montagem esteja completa e você esteja preparado para cortar. A inobservância desta instrução pode resultar em arranque acidental e possíveis lesões pessoais graves.

Portugues (Tradução das instruções originais)

⚠ ADVERTÊNCIA

Para evitar um arranque acidental que poderia causar lesões corporais sérias, retire sempre a bateria do produto a juntar as peças.

DESDOBRAR E AJUSTAR O CABO INFERIOR

Ver Figura 2.

- Puxe e rode as maçanetas do cabo e rode-as 90° para ambos os lados para desapertar os cabos inferiores.
- Mova os cabos inferiores até à posição de funcionamento. Pode subir ou baixar o cabo até à posição que for mais cómoda. Dispõe de 3 posições à escolha. Solte as maçanetas do cabo para bloquear o cabo inferior na sua posição.

NOTA: Assegure-se que ambos os lados se fixam na mesma posição para uma montagem adequada.

INSTALAR O MANÍPULO SUPERIOR

Ver Figura 3.

- Alinhe os orifícios de montagem do cabo superior e do cabo inferior. Insira os parafusos e utilize as maçanetas para apertá-los. Repita a operação no outro lado.

INSTALAÇÃO DA CAIXA DE RELVA

Ver Figura 4.

- Lift the rear discharge door.
- Levante o coletor de relva pelo cabo e coloque-o debaixo da porta traseira de descarga para que os ganchos do coletor de relva fiquem assentes na vareta da porta.
- Solte a porta traseira de descarga. Quando se instalar corretamente, os ganchos do coletor de relva estendem-se através das aberturas da porta de descarga traseira.

INSTALAÇÃO DA TAMPA DE MULCHING

Ver Figura 5.

- Levante e mantenha a porta de descarga traseira.
- Agarre na tampa de mulching pelas pegas e insira-a num pequeno ângulo, conforme apresentado.
- Empurre o adaptador para colocá-lo no seu lugar.
- Baixe a porta de descarga traseira.

INSTALAÇÃO DO DEFLECTOR DE DESCARGA LATERAL

Ver Figura 6.

NOTA: Quando utilizar o def lector de descarga lateral, não instale o depósito. O adaptador para trituração deve

permanecer instalado.

- Levante a porta de descarga lateral.
- Alinhe os ganchos do def lector com o tirante de articulação na parte de baixo da porta.
- Baixe o def lector antes que os ganchos estejam fixos no tirante de articulação de mistura.
- Solte o def lector e a porta de descarga lateral.

DEFINIR A ALTURA DA LÂMINA

Ver Figura 7.

Quando enviadas, as rodas no corta relva estão ajustadas para uma posição de corte baixo. Antes de usar o corta relva pela primeira vez, ajuste a posição de corte à altura que melhor se adequa ao seu relvado. O cortador de relva médio deveria medir entre 38 mm e 51 mm durante os meses frios e entre 51 mm y 70 mm durante os meses quentes.

Para ajustar a altura da folha

- Para subir a altura da lâmina, agarre a alavanca de ajuste da altura e desloque-a para a parte traseira doncorta relva.
- Para baixar a altura da lâmina, agarre a alavanca de ajuste da altura e desloque-a para a parte dianteira do corta relva.

UTILIZAÇÃO

⚠ ADVERTÊNCIA

Não diminua a sua vigilância mesmo depois de se ter familiarizado com o seu aparelho. Nunca se esqueça que basta um segundo de falta de atenção para se ferir gravemente.

⚠ ADVERTÊNCIA

Use sempre protecção para os olhos. A falta de cumprimento desta instrução pode ocasionar a projecção de corpos estranhos para os olhos e provocar lesões oculares graves.

⚠ WARNING

Não utilize peças nem acessórios diferentes dos recomendados pelo fabricante para este aparelho. A utilização de peças ou acessórios não recomendados pode ocasionar riscos de ferimentos graves.

Portugues (Tradução das instruções originais)

WARNING

Inspeccione sempre o cortador de relva para ver se existem peças danifi cadas ou em falta e se a lâmina está danifi cada, torta ou se há um desgaste excessivo antes de a utilizar. O uso de um produto com peças em falta ou cujas peças estejam danifi cadas, pode produzir lesões pessoais graves.

- Não incline o cortador de relva quando fizer arrancar o motor ou ligar o motor, excepto se o cortador tiver de ser inclinado para arrancar. Neste caso, não incline mais do que o absolutamente necessário e levante apenas a parte que está afastada do operador.
- Não ligue o motor quando se encontra em frente da rampa de descarga.
- Não coloque as mãos ou os pés próximo das peças rotativas. Mantenha a abertura de descarga sempre desobstruída.

Para instruções completas sobre o carregamento, consulte o Manual do Utilizador das baterias e carregadores listados na secção de especi fi cações.

PARA INSTALAR A BATERIA

Ver Figura 8.

- Lift and hold up the battery door.
- Alinhe a bateria com a porta da bateria do corta-relva.
- Assegure-se que o botão de libertação da bateria fica bem colocado no seu sítio e que a bateria está completamente assente e segura no corta-relva antes de começar a utilizá-lo.
- Insira a chave da bateria.
- Se o cortador não for utilizado imediatamente, não insira a chave da bateria.
- Feche a porta.

PARA RETIRAR A BATERIA

Ver Figura 8.

- Solte a alavanca de arranque para deter o produto.
- Abra a porta do compartimento da bateria para aceder à bateria.
- Retire a chave da bateria.
- Pressione o botão de libertação no corta-relva. Isto fará com que a bateria saia ligeiramente da ferramenta.
- Remova a bateria do produto.

ABASTECER O DEPÓSITO

Ver Figura 9.

- Mantenha premido o botão de bloqueio de segurança.
- Puxe para cima a alavanca de arranque para a braçadeira e solte o botão de bloqueio de segurança para fazer arrancar o cortador de relva.
- Para parar o cortador de relva, solte a alavanca do controlo do interruptor.

NOTA: Um barulho estridente e algumas faíscas podem ocorrer quando o motor elétrico desacelera. Isto é normal.

CORTE AUTOPROPULSIONADO

Ver Figura 9

Para ativar a função de autopropulsão:

- Abra a porta do compartimento da bateria.
- Introduzir a bateria.
- Insira a chave da bateria.
- Puxe a alavanca de autopropulsão para cima à pega.

Para desativar a função de autopropulsão:

- Liberte a alavanca de autopropulsão.

Para ajustar a velocidade da função de autopropulsão:

- Puxe a alavanca de controlo de velocidade variável no sentido do Símbolo do Coelho para aumentar a velocidade.
- Empurre a alavanca de controlo de velocidade variável no sentido do Símbolo da Tartaruga para reduzir a velocidade.

DICAS PARA CORTAR A RELVA

- Certifique-se que a relva não contém pedras, paus, fios e outros objectos que possam danificar as lâminas ou motor do cortador de relva. Não corte em cima de estacas ou outros postos de metal. Esses objectos poderiam ser acidentalmente atirados pelo corta relva em qualquer direcção e causar graves lesões pessoais ao operador e a outros.
- Para obter um relvado saudável, corte sempre um terço ou menos do comprimento total de relva.
- Não corte relva molhada, irá colar-se ao lado inferior da plataforma e impedirá o ensaque ou descarga apropriada das aparas de relva.
- A relva nova ou densa pode requerer uma altura de corte superior ou estreita.
- Limpe o lado inferior da plataforma do corta relva depois de cada utilização para remover aparas, folhas, sujidade e quaisquer outros detritos acumulados.
- Ao cortar relva longa, reduza a velocidade de passo para permitir um corte mais eficaz e uma descarga apropriada das aparas.

NOTA: Pare sempre o cortador de relva, deixe as lâminas pararem completamente e retire a chave da bateria antes

Portugues (Tradução das instruções originais)

de limpar por baixo do cortador de relva.

OPERAÇÃO EM DECLIVES

⚠ ADVERTÊNCIA

As inclinações são um dos principais factores que podem causar acidentes que se escorrega e cai e que podem resultar em lesões graves. A operação em inclinações requer um cuidado extra. Se não se sentir equilibrado numa inclinação, não a corte. Para sua segurança, não tente cortar relva em inclinações com mais de 15 graus.

⚠ ADVERTÊNCIA

Por favor, mantenha a autopropulsão a baixa velocidade quando estiver a cortar numa inclinação.

- Corte a relva transversalmente nas inclinações, nunca para cima e para baixo. Tenha extrema cautela ao mudar de direcção nas inclinações.
- Tenha cuidado com os buracos, raízes, objectos escondidos ou solavancos que podem fazer com que escorregue ou tropece. A relva alta pode esconder obstáculos. Remova todos os objectos tais como pedras, ramos de árvore, etc. nos quais poderia tropeçar ou serem atirados pela lâmina.
- Assegure-se sempre do seu equilíbrio. Escorregar e cair pode causar graves lesões pessoais. Se sentir está a perder o seu equilíbrio, solte a alavanca de alimentação imediatamente.
- Não corte perto de declives, valas ou aterros; poderia perder o seu apoio ou equilíbrio.

ESVAZIAMENTO DA CAIXA DE RELVA

Ver Figura 10.

- Pare o cortador de relva, deixe que a lâmina pare completamente e retire a chave da bateria.
- Levante a porta traseira.
- Levante a caixa de relva pelas pegadas para retirá-la do cortador de relva.
- Esvazie as aparas de relva.
- Levante a porta traseira e reinstale a caixa de relva conforme descrito anteriormente neste manual.

MANUTENÇÃO

⚠ ADVERTÊNCIA

Antes de realizar qualquer operação de manutenção, certifique-se que a bateria do cortador de relva e a chave da bateria foram retiradas de forma a evitar um arranque acidental e eventuais lesões corporais graves.

⚠ ADVERTÊNCIA

Para evitar o arranque acidental ou o uso não autorizado, o corta-relva sem fios está equipado com uma chave de segurança removível. Para desativar completamente o corta-relva, a chave de segurança deve ser removida e guardada num local afastado do corta-relva e fora do alcance das crianças.

⚠ ADVERTÊNCIA

Ao realizar serviços de manutenção, use apenas peças de substituição autorizadas. O uso de quaisquer outras peças pode criar perigo ou causar danos ao aparelho.

⚠ ADVERTÊNCIA

Mantenha os compartimentos do motor e da bateria livres de relva, folhas ou gordura excessiva. Isto ajudará a reduzir o risco de incêndio.

MANUTENÇÃO GERAL

Antes de cada utilização, verifique que todo o aparelho de forma a ver se existem peças danificadas, em falta ou soltas, tais como parafusos, porcas, cavilhas, tampas, etc.

Aperte firmemente todos os grampos e tampas e não utilize o aparelho até que as peças danificadas ou em falta sejam substituídas. Por favor, contacte o Serviço de Assistência ao Cliente da Greenworks tools. Evite usar solventes ao limpar as peças de plástico. A maioria dos plásticos é susceptível de sofrer danos de vários tipos de solventes comerciais e podem ser danificados pelo seu uso. Use panos limpos para remover a sujidade, a poeira, o óleo, a gordura, etc.

⚠ ADVERTÊNCIA

Para reduzir o risco de danos e de perigo, nunca limpe a ferramenta com máquinas limpezas de pressão ou com água corrente.

Portugues (Tradução das instruções originais)

⚠ ADVERTÊNCIA

Guarde apenas no interior. Retire sempre a bateria da máquina de cortar relva e do carregador quando efetuar a limpeza ou guardar a ferramenta.

⚠ ADVERTÊNCIA

Nunca, em qualquer momento, deixe que fluidos de travagem, gasolina, produtos petrolíferos, óleos de perfuração, etc., entrem em contacto com as peças de plástico. Os produtos químicos podem danifi car, enfraquecer ou destruir o plástico, o que pode resultar em ferimentos graves.

Verifi que periodicamente todas as porcas e parafusos para assegurar a tensão adequada e garantir um funcionamento seguro do corta relva.

Limpe o corta relva com um pano seco ocasionalmente. Não utilize água.

LUBRIFICAÇÃO

Todos os rolamentos deste produto estão lubrifi cados com um montante sufi ciente de lubrifi cante de elevado nível, de acordo com a duração de vida da unidade em condições normais de funcionamento. Logo, não é necessária mais lubrifi cação para as engrenagens.

⚠ ADVERTÊNCIA

Proteja sempre as mãos usando luvas pesadas e/ou envolvendo as extremidades cortantes da lâmina com panos e outro material ao realizar a manutenção das lâminas. O contacto com a lâmina pode resultar em graves danos corporais.

⚠ ADVERTÊNCIA

Não lubrifi car quaisquer componentes da roda. A lubrifi cação pode fazer com que os componentes da roda falhem durante a utilização, que poderá provocar em graves danos corporais no operador e/ou no cortador de relva ou danos na propriedade.

SUBSTITUIR A LÂMINA DE CORTE

Ver Figura 11-12.

NOTA : Utilize apenas lâminas de substituição autorizadas. Substitua lâminas e parafusos desgastados em conjunto de modo a preservar o equilíbrio.

- Pare o motor e retire a chave da bateria. Deixe a lâmina parar completamente.

- Retire a bateria.
- Rode o corta relva pelo seu lado.
- Fixe um bloco de madeira entre a lâmina e a plataforma do corta relva para impedir que a lâmina gire.
- Desaperte o parafuso da lâmina girando no sentido contrário ao dos ponteiros do relógio (conforme visualizado desde baixo do cortador de relva) utilizando uma chave ou ranhura de 27 mm (não fornecida).
- Retire o parafuso da lâmina e a lâmina.
- Coloque a nova lâmina no eixo. Certifique-se que a lâmina está bem assente num eixo através do orifício da lâmina central e os dois pinos da lâmina inseridos nos seus respetivos orifícios na lâmina. Assegure-se que está instalada com os extremos curvos a apontar para a plataforma de corte e não para o solo. Quando estiver corretamente assente, a lâmina deve estar plana sobre o ventilador.
- Enrosque o parafuso da lâmina no eixo e aperte-o com o dedo.
- Aperte o parafuso da lâmina para baixo e para a direita com uma chave de torção (não incluída) para assegurar que o parafuso está bem apertado. A torção recomendada para o parafuso da lâmina é de 62.5~71.5 kgf cm (350-400 in. lb).

PROTEÇÃO DO MEIO AMBIENTE

- A proteção do ambiente deve ser um aspecto relevante e prioritário no uso da máquina, para o benefício da convivência civil e do ambiente no qual vivemos. Evite ser um elemento de incómodo para com a vizinhança.
- Siga rigorosamente as normas locais para a eliminação de embalagens, óleos, gasolina, filtros, partes deterioradas ou qualquer elemento com forte impacto ambiental; estes resíduos não devem ser jogados no lixo, mas devem ser separados e entregues nos centros de coleta apropriados, que providenciarão a reciclagem dos materiais.
- Siga rigorosamente as normas locais para a eliminação dos materiais residuais depois do corte.
- No momento da desativação, não abandone a máquina no meio ambiente, mas contate um centro de recolha, em conformidade com as normas locais vigentes.

Portugues (Tradução das instruções originais)


RESOLUÇÃO DE PROBLEMAS

PROBLEMA	POSSÍVEL CAUSA	SOLUÇÃO
A pega não está em posição.	Os parafusos da carroçaria não estão encaixados correctamente.	Ajuste a altura da pega e certifique que os parafusos da carroçaria estão correctamente encaixados.
O cortador de relva não arranca.	A bateria tem pouca carga.	Carregar a bateria.
	A bateria está inoperável ou não carrega.	Substitua a bateria.
	A chave da bateria não está inserida.	Insira a chave da bateria.
O cortador de relva corta a relva de forma irregular.	O relvado está áspero ou irregular ou a altura de corte não está correctamente definida.	Mova as rodas até uma posição mais elevada. Todas as rodas devem encontrar-se na mesma altura de corte para que o cortador de relva corte de forma uniforme.
O cortador de relva não mistura adequadamente.	Os recortes de erva húmida ficam colados à parte inferior da plataforma.	Espere que a erva seque antes de cortar.
O cortador de relva é difícil de empurrar.	Relva alta, parte traseira da estrutura do corta relva e lâmina a arrastarem em relva pesada ou a cortar a uma altura demasiado baixa.	Eleve a altura de corte.
O cortador de relva não ensaca adequadamente.	A definição da altura de corte está demasiado baixa.	Eleve a altura de corte.
O corta relva está a vibrar a uma velocidade superior.	A lâmina não está equilibrada, está excessivamente ou irregularmente gasta.	Volte a colocar a lâmina.
	O eixo do motor está torto.	Pare o motor, retire a chave de isolamento e a bateria, desligue a fonte de alimentação e verifique se há danos. Leve o aparelho para ser reparado num centro de assistência autorizado antes de reiniciar..
O motor pára enquanto corta.	A definição da altura de corte está demasiado baixa.	Eleve a altura de corte.
	A bateria não tem carga.	Carregar a bateria.

Se estas soluções não resolverem o problema, contacte o seu revendedor autorizado de assistência.

Nederlands (Vertaling van de originele instructies)

TECHNISCHE GEGEVENS

Grasmaaier	2502907
Freesbreedte	46 cm
Hoogte van de snede	25 mm - 80 mm
Snelheid zonder lading	2800 rpm
Zelfaangedreven snelheid	0.5-1.5 m/s
Geluidsdrukniveau	LpA :73 dB(A), K:3.0
Gemeten geluidsdrukniveau	LwA :85.5 dB(A)
Trillingsniveau	<2.5 m/s ² , K=1.5
Capaciteit grasopvangbak	52 L
Netto gewicht	28 kg
Reservemaaiblad	2920407
Accu	Lithium-ion
Modelnummer	2918307 / 2918407
Acculader	
Modelnummer	2918507
Dubbel-geïsoleerde constructie	

18. Deurstaaf
19. Haken
20. Zaagblad
21. Motoras
22. Ventilator
23. Bladbout
24. Maaibladsteunen
25. Batterijontgrendelknop
26. Mulchplug
27. Zijdelingse uitlaatdeflector
28. Zijdelingse uitlaatdeur
29. Houtblok (niet inbegrepen)
30. Speciale sleutel (niet inbegrepen)
31. Batterijsleutel
32. Aandrijvingshendel
33. Snelheidsregelaars

WAARSCHUWING

Het gebruik van een ander accupack kan leiden tot risico op brand, elektrische schok of lichamelijke letsels.

KEN UW GRASMAAIER

Zie afbeelding 1.

Het veilig gebruik van het product vereist dat u de informatie op het werktuig en in deze gebruiksaanwijzing begrijpt en kennis heeft over het project dat u probeert uit te voeren. Voor u dit product gebruikt, dient u zichzelf bekend te maken met alle werkende eigenschappen en veiligheidsvoorschriften.

ACCUMETER

De accumeter meet de laadhoeveelheid die in de accu overblijft.

GRASOPVANGBAK

De grasopvangbak verzamelt grasafval en voorkomt dat het over uw gazon wordt verspreid terwijl u maait.

HOOGTEAFSTELLINGSHENDEL

De hoogteafstellingshendel maakt het mogelijk om de hoogte af te stellen.

MOTORBESTURINGSKABEL

De motorbesturingskabel die zich op de bovenste handgreep op de grasmaaier bevindt, koppelt en ontkoppelt de motor en het maaiblad.

VERKLARING

1. Aan/uit-hendel
2. Motorbesturingskabel
3. Startknop
4. Bovenste handvat
5. Onderste handgreep
6. Hoogteafstellingshendel
7. Accudeur
8. Voorwiel
9. Achterwiel
10. Grasopvangbak
11. Accu
12. Handvatknop
13. Knop
14. Bout
15. Handgreep grasopvangbak
16. Achterdeur
17. Achterste uitlaatopening

Nederlands (Vertaling van de originele instructies)

SCHAKELAARSLEUTEL

De schakelaarsleutel moet worden ingebracht voor de grasmaaimachine kan worden gestart.

MULCHING PLUG

Uw grasmaaier is uitgerust met een mulching plug die de achterste uitlaatopening afdekt, wat het maaiblad toelaat het gras te maaien en opnieuw te maaien voor f ijner afval.

ZIJDELINGSE UITLAATDEFLECTOR

Gebruik de zijdelingse uitlaatdeflector op uw maaier wanneer het gras te hoog is om te mulchen of wanneer zijdelingse afvoer aangewezen is. Het grasafval dat wordt geproduceerd wanneer de zijdelingse uitlaatdeflectoren worden gebruikt zijn merkbaar groter dan deze die worden geproduceerd wanneer de mulching plug en zijdelingse mulchingplaat worden gebruikt.

ZIJDELINGSE UITLAATDEUR

Uw grasmaaier is uitgerust met een deur die de zijdelingse uitlaatopening afdekt, wat het maaiblad toelaat het gras te maaien en opnieuw te maaien voor jner afval als de mulching plug is geactiveerd of stuurt het grasafval anders naar de opvangzak.

MONTAGE

UITPAKKEN

Dit product vereist montage.

- Neem het product en de accessoires voorzichtig uit de doos. Zorg ervoor dat alle opgelijste items op de verpakkinglijst zijn inbegrepen.

⚠ WAARSCHUWING

Gebruik dit product niet als er onderdelen op de verpakkinglijst al op uw product zijn gemonteerd wanneer u dit uitpakt. Onderdelen op deze lijst zijn door de fabrikant niet op het product gemonteerd en moeten door de klant worden geïnstalleerd. Het gebruik van een product dat onjuist is gemonteerd kan leiden tot ernstige letsels.

- Inspecteer het product nauwkeurig om zeker te zijn dat er geen defect is opgetreden of het geen schade heeft opgelopen tijdens het verzenden.
- Gooi het verpakkingsmateriaal niet weg tot u het product zorgvuldig heeft geïnspecteerd en met succes heeft gebruikt.
- Als er onderdelen beschadigd zijn of ontbreken, neem dan contact op met uw Greenworks tools onderhoudscentrum voor hulp.

VERPAKKINGSLIJST

- Grasmaaier
- Batterijsleutel
- Grasopvangbak
- Mulching plug
- Zijdelingse uitlaatdeflector
- Gebruiksaanwijzing
- Knoppen
- Bouten

⚠ WAARSCHUWING

Als er onderdelen zijn beschadigd of ontbreken, gebruik dan het toestel niet vooraleer de onderdelen werden vervangen. Gebruik van dit product met beschadigde of ontbrekende onderdelen kan leiden tot ernstige letsels.

⚠ WAARSCHUWING

Probeer het toestel niet aan te passen of toebehoren te creëren waarvan het gebruik in combinatie met dit toestel niet is aangewezen. Een dergelijke aanpassing of wijziging wordt als misbruik beschouwd en kan leiden tot gevaarlijke situaties die ernstige verwondingen kunnen veroorzaken.

⚠ WAARSCHUWING

Plaats de batterijsleutel niet tot de montage voltooid is en u klaar bent om te maaien. Wanneer u dit niet doet, kan dit leiden tot ongewild starten en mogelijks ernstige verwondingen.

⚠ WAARSCHUWING

Om te voorkomen dat de machine per ongeluk start, wat ernstige letsels kan veroorzaken, verwijdert u het accupack altijd van het product wanneer u onderdelen monteert.

⚠ WAARSCHUWING

Gebruik de maaier nooit wanneer de aangepaste veiligheidsvoorzieningen niet zijn geïnstalleerd en niet werken. Bedien de grasmaaier nooit met beschadigde veiligheidsvoorzieningen. Wanneer u het toestel met beschadigde of ontbrekende onderdelen gebruikt, kan dit mogelijks ernstige letsels veroorzaken.

ONDERSTE HANDVAT ONTVOUWEN EN AFSTELLEN

Zie afbeelding 2.

Nederlands (Vertaling van de originele instructies)

- Trek en draai de aan beide zijden handvatknoppen 90° om de onderste havatten aan beide zijden los te maken.
- Beweeg de onderste handvatten in de bedrijfspositie. U kunt het handvat hoger of lager afstellen in een comfortabele positie. Er zijn 3 posities waaruit u kunt kiezen. Laat de handvatknoppen los om het onderste handvat op zijn plaats te vergrendelen.

OPMERKING: Voor een goede montage, zorgt u ervoor dat beide zijden in dezelfde positie zijn afgesteld.

INSTALLEREN VAN DE BOVENSTE HANDGREEP

Zie afbeelding 3.

- Lijn de montage-openingen op het bovenste handvat en het onderste handvat af. Plaats de bouten en gebruik de knoppen om ze aan te spannen. Herhaal deze procedure aan de andere zijde.

INSTALAÇÃO DA CAIXA DE RELVA

Zie afbeelding 4.

- Levante a porta traseira da descarga.
- Hef de grasvanger aan het handvat op en plaats dit onder de achterste uitlaatdeur zodat de haken op de grasvanger op de deurspil rusten.
- Laat de achterste uitlaatdeur los. Indien correct geïnstalleerd, zullen de haken van de grasvanger door de openingen op de achterste uitlaatdeur uitsteken.

MULCHING PLUG INSTALLEREN

Zie afbeelding 5.

- Hef de achterste uitlaatdeur op en houd deze vast.
- Neem de mulching plug aan de handgreep vast en breng deze in een kleine hoek in, zoals getoond.
- Druk de mulching plug stevig op haar plaats.
- Laat de achterste uitlaatdeur naar beneden.

ZIJDELINGSE UITLAATDEFLECTOR INSTALLEREN

Zie afbeelding 6.

OPMERKING: Wanneer u de zijdelingse uitlaatdeur gebruikt mag u de grasopvangbak niet installeren. De mulching plug moet geïnstalleerd blijven.

- Hef de zijdelingse uitlaatdeur op.
- Lijn de haken op de de ector af met de scharnierstang aan de onderkant van de deur.
- Laat de de ector naar beneden tot de haken aan de scharnierstaaf van de mulchdeur zijn vastgemaakt.
- Ontgrendel de de ector en de zijdelingse uitlaatdeur.

SNIJBLADHOOGTE INSTELLEN

Zie afbeelding 7.

Wanneer de grasmaaier wordt verscheept, zijn de wielen op een lage maaipositie ingesteld. Vooral eer u de maaier voor het eerst gebruikt, stelt u de maaipositie af volgens de hoogte die voor uw gazon het best geschikt is. Het gemiddelde gazon moet tussen de 38 mm en 51 mm tijdens koude en tussen de 51 mm en 70 mm tijdens warme maanden bedragen.

Maaibladhoogte afstellen

- Om de snijbladhoogte te verhogen, neemt u de hoogteafstellingshendel en beweegt u die naar de achterkant van de grasmaaier.
- Om de snijbladhoogte te verminderen, neemt u de hoogteafstellingshendel en beweegt u die naar de voorkant van de grasmaaier.

BEDIENING

⚠ WAARSCHUWING

Laat uw waakzaamheid niet verslappen als u eenmaal vertrouwd bent geraakt met het apparaat. Vergeet niet dat één seconde onoplettendheid voldoende is om ernstig letsel te veroorzaken.

⚠ WAARSCHUWING

Draag altijd gehoorbescherming. Er kunnen wegsplattende deeltjes in uw ogen komen en ernstig oogletsel veroorzaken als u zich hier niet aan houdt.

⚠ WAARSCHUWING

Gebruik geen andere onderdelen of accessoires dan die door de fabrikant voor dit apparaat zijn aanbevolen. Bij gebruik van niet aanbevolen onderdelen of accessoires bestaat gevaar voor ernstig lichamelijk letsel.

⚠ WAARSCHUWING

Inspecteer voor gebruik de grasmaaier altijd op ontbrekende of beschadigde onderdelen en het maaiblad op schade, ongelijke of overdreven slijtage. Gebruik van dit product met beschadigde of ontbrekende onderdelen kan leiden tot ernstige letsels.

- Kantel de grasmaaier niet wanneer u de motor start of inschakelt, tenzij de grasmaaier voor het starten moet worden gekanteld. In dit geval mag u niet meer dan absoluut noodzakelijk kantelen en alleen het onderdeel opheffen dat van de bediener is weggericht.
- Start de motor niet wanneer u voor de uitlaat staat.
- Steek uw handen of voeten niet in de buurt van

Nederlands (Vertaling van de originele instructies)

of onder ronddraaiende onderdelen. Houd de uitlaatopening altijd vrij.

Voor volledige laad instructies, verwijzen wij naar de gebruiksaanwijzing voor het accupack en de laders, opgelijst in de specifi caties.

ACCUPACK INSTALLEREN

Zie afbeelding 8.

- Hef het accudeksel op en houd het omhoog.
- Lijn de batterij met de batterijpoort van de maaier af.
- Zorg ervoor dat de batterijontgrendelknop op zijn plaats klikt en dat de batterij volledig op zijn plaats zit en beveiligd de grasmaaimachine voor u ermee begint te werken.
- Plaats de batterijsleutel.
- Als de machine niet onmiddellijk wordt gebruikt, plaatst u de batterijsleutel niet.
- Sluit de deur.

ACCUPACK VERWIJDEREN

Zie afbeelding 8.

- Laat de aan/uit-hendel los om het product te stoppen.
- Open de batterijdeur om toegang te krijgen tot het batterijcompartiment.
- Verwijder de batterijsleutel.
- Druk op de batterijontgrendelknop op de grasmaaimachine. Dit zorgt ervoor dat de batterij lichtjes uit de machine uitsteekt.
- Verwijder het accupack van het product.

GRASMAAIMACHINE STARTEN/STOPPEN

Zie afbeelding 9.

- Druk op de veiligheidsvergrendelknop en houd deze ingedrukt.
- Trek de aan-/uithendel omhoog in de richting van het handvat om de grasmaaimachine te starten en laat de veiligheidsvergrendelknop los.
- Om de grasmaaimachine stil te leggen, laat u de schakelaarcontrolehendel los.

OPMERKING : Er kan een hoog geluid weerklinken en er kunnen vonken zijn als de elektrische motor vertraagt. Dit is normaal.

ZELFRIJDEND MAAIEN

Zie afbeelding 9

Zelfrijdende eigenschap activeren:

- Open de batterijdeur.
- Installeer de batterij.

- Breng de batterijsleutel in.
- Trek de aandrijvingshendel omhoog tot deze het handvat raakt.

Zelfrijdende eigenschap deactiveren:

- Laat de aandrijvingshendel los.

Snelheid van de zelfrijdende eigenschap aanpassen:

- Trek de variabele snelheidscontrolehendel in de richting van het haassymbool om de snelheid te verhogen.
- Druk de variabele snelheidscontrolehendel in de richting van het schildpadsymbool om de snelheid te verlagen.

MAAITIPS

- Zorg ervoor dat het gazon vrij is van stenen, stokken, kabels en andere voorwerpen die de maaibladeren of motor van de grasmaaier zouden kunnen beschadigen. Maai niet over palen of andere metalen palen. Zulke voorwerpen kunnen per ongeluk door de grasmaaier in gelijk welke richting worden opgeworpen en ernstige verwondingen bij de bediener en anderen veroorzaken.
- Voor een gezond gazon maait u altijd een derde of minder van de totale lengte van het gras.
- Maai geen nat gras, het zal aan de onderkant van de behuizing blijven vasthangen en voorkomen dat het grasafval goed in de graszak terecht komt of wordt uitgelaten.
- Bij nieuw of dik gras kan een smallere maaibreedte of een hogere maaihogte nodig zijn.
- Reinig de onderkant van de behuizing na elk gebruik om grasafval, bladeren, vuil en andere opgehoopt puin te verwijderen.
- Wanneer u lang gras maait, stapt u best trager om efficiënter maaien toe te laten en ervoor te zorgen dat het afval goed wegraakt.

OPMERKING: Leg de grasmaaimachine altijd stil, laat de maaibladeren volledig stilvallen en verwijder de batterijsleutel voor u onder de grasmaaimachine schoonmaakt.

BEDIENING OP HELLINGEN

WAARSCHUWING

Hellingen zijn een belangrijke factor verbonden met wegglijden en vallen, wat kan leiden tot ernstige letsels. Werken op hellingen veronderstelt bijzondere voorzichtigheid. Indien u zich op een helling ongemakkelijk voelt, maai deze dan niet. Probeer voor uw eigen veiligheid geen hellingen te maaien van meer dan 15 graden.

Nederlands (Vertaling van de originele instructies)

⚠ WAARSCHUWING

Houd met de zelf-aangedreven machine een lage snelheid aan wanneer u een helling op loopt.

- Maai dwars langs hellingen, nooit op en neer. Wees uiterst voorzichtig wanneer u op een helling van richting verandert.
- Kijk uit voor gaten, sporen, stenen, verborgen voorwerpen of obstakels die ervoor kunnen zorgen dat u struikelt of wegglijdt. Lang gras kan hindernissen verbergen. Verwijder alle voorwerpen, zoals stenen, takken, enz. waarover u kunt vallen of die door het snijblad kunnen worden weggeslingerd.
- Wees altijd zeker de manier waarop u staat. Wegglijden of vallen kan ernstige letsels veroorzaken. Als u voelt dat u het evenwicht verliest, laat u de aan/uit-handel onmiddellijk los.
- Maai niet in de buurt van afronden, grachten of oevers; u kunt uw evenwicht of vaste ondergrond verliezen.

GRASOPVANGBAK LEEGMAKEN

Zie afbeelding 10.

- Leg de grasmaaimachine stil, laat de maaibladeren volledig stilvallen en verwijder de batterijsleutel.
- Hef de achterste deur op.
- Houd de grasopvangbak aan de handgreep vast om deze van de grasmaaier te verwijderen.
- Verwijder het grasafval.
- Hef de achterste deur op en herinstalleer de grasopvangbak, zoals eerder in deze gebruiksaanwijzing beschreven.

ONDERHOUD

⚠ WAARSCHUWING

Voor u onderhoudswerken uitvoert, dient u te verzekeren dat de batterij van de grasmaaimachine en de batterijsleutel verwijderd zijn om ongewild starten en mogelijks ernstige verwondingen te voorkomen..

⚠ WAARSCHUWING

Om ongewild starten of niet-geautoriseerd gebruik te voorkomen is de snoerloze grasmaaimachine met een verwijderbare veiligheidsleutel uitgerust. Om de grasmaaimachine stil te leggen, moet de veiligheidsleutel worden verwijderd en op een plaats weg van de grasmaaimachine en buiten het bereik van kinderen worden bewaard.

⚠ WAARSCHUWING

Wanneer u onderhoud uitvoert mag u uitsluitend geautoriseerde vervangonderdelen gebruiken. Het gebruik van enige andere onderdelen kan gevaarlijk zijn of schade aan het toestel veroorzaken.

⚠ WAARSCHUWING

Houd de motor en accucompartimenten vrij van gras, bladeren en overdeven vet. Dit zal het risico op brand verminderen.

ALGEMEEN ONDERHOUD

Voor elk gebruik dient u het gehele product te controleren om beschadigde, ontbrekende of losse onderdelen, zoals schroeven, moeren, bouten, doppen, etc.

Maak alle binders en doppen stevig vast en gebruik dit product niet tot alle ontbrekende of beschadigde onderdelen vervangen zijn. Bel de Greenworks tools klantendienst voor hulp. Vermijd het gebruik van oplosmiddelen wanneer u kunststof onderdelen schoonmaakt. De meeste soorten plastic zijn gevoelig voor schade, veroorzaakt door verschillende soorten commerciële oplosmiddelen en kunnen door hun gebruik worden beschadigd. Gebruik schone doeken om vuil, stof, olie, vet, etc. te verwijderen.

⚠ WAARSCHUWING

Om het risico op schade en gevaar te reduceren, mag u het gereedschap nooit met een hogedrukreiniger of onder stromend water reinigen.

⚠ WAARSCHUWING

Alleen in binnenshuis opbergen. Verwijder de accu altijd uit de grasmaaier en lader als u het gereedschap reinigt of opslaat.

Nederlands (Vertaling van de originele instructies)

⚠ WAARSCHUWING

Laat op geen elk moment remvloeistoffen, benzine, producten op petroleumbasis, penetrerende oliën, etc. in contact komen met kunststof onderdelen. Chemicaliën kunnen kunststof beschadigen, verzwakken of vernietigen, wat kan leiden tot ernstige letsels.

Controleer regelmatig of alle moeren en bouten nog goed vast zitten om het veilig gebruik van de grasmaaier te verzekeren.

Wrijf de grasmaaier regelmatig met een droog doek schoon. Gebruik geen water.

SMERING

Alle lagers in dit toestel werden met voldoende smeermiddel van hoge kwaliteit gesmeerd, wat zou moeten volstaan voor de volledige levensduur van het toestel onder normale gebruiksomstandigheden. Aanvullende smering is dus niet nodig.

⚠ WAARSCHUWING

Bescherm altijd uw handen door veiligheidshandschoenen te dragen en/of de snijranden van het snijblad met doeken en ander materiaal in te pakken wanneer u onderhoudswerken aan het snijblad uitvoert. Contact met het maaiblad kan leiden tot ernstige letsels.

⚠ WAARSCHUWING

Smeer geen enkel onderdeel van de wielen. Smering kan ertoe leiden dat de wielonderdelen falen tijdens het gebruik, wat kan leiden tot ernstige letsels voor de gebruiker en/of grasmaaier of materiële schade.

SNIJBLAD VERVANGEN

Zie afbeelding 11-12.

OPMERKING: Gebruik uitsluitend geautoriseerde vervangmaaijbladen. Vervang versleten of beschadigde maaibladen en moeren in paren om het evenwicht te bewaren.

- Leg de motor stil en verwijder de batterijsleutel.
- Accupack verwijderen.
- Kantel de grasmaaier op zijn kant.
- Stop een blok hout tussen het snijblad en de behuizing van de grasmaaier om te voorkomen dat het snijblad draait.
- Maak de bladbout los door deze tegen de richting van de wijzers van de klok te draaien (zoals gezien vanaf

de onderkant van de grasmaaimachine) met een 27 mm-sleutel of dop (niet meegeleverd).

- Verwijder de bladbout en het blad.
- Plaats het nieuwe blad op de schacht. Zorg ervoor dat het blad stevig vast zit, waarbij de schacht door de middenste bladopening gaat en de twee bladpennen op de ventilator door hun respectievelijke openingen op het blad uitsteken. Zorg ervoor dat het is geïnstalleerd met de gebogen uiteinden naar boven is gericht in de richting van het maaidek en niet naar de grond. Wanneer goed geïnstalleerd, moet het blad vlak tegen de ventilator rusten.
- Draad de bladbout op de schacht en span handvast aan.
- Verminder het draaimoment van de maaibladmoer door deze in de richting van de wijzers van de klok te draaien met behulp van een momentsleutel (niet ingebrepen) om ervoor te zorgen dat de bout stevig is vastgemaakt. Het aangewezen draaimoment voor de maaibladmoer is 62.5-71.5 kgf cm (350-400 in. lb).

MILIEUBESCHERMING

- De milieubescherming moet een belangrijk en prioritair aspect vormen voor het gebruik van de machine, ten gunste van de civiele samenleving en de omgeving waarin we leven. Wees geen storend element voor uw bureu.
- Volg nauwgezet de plaatselijke normen voor het verwerken van de verpakking, olie, benzine, filters, versleten delen of eender welk element met een sterke invloed op de omgeving; dit afval mag niet met de huisafval weggeworpen worden, maar moet gescheiden worden en aan speciale verzamelcentra toevertrouwd worden, die de recyclage van de materialen zullen verzorgen.
- Volg nauwkeurig de lokale normen op voor de afdanking van het snijafval.
- Bij het buiten bedrijf stellen van de machine, mag deze nooit in het milieu achtergelaten worden maar moet ze naar een opvangcentrum gebracht worden, volgens de geldende plaatselijke normen.

Nederlands (Vertaling van de originele instructies)


MOPLOSSEN

PROBLEEM	MOGELIJKE OORZAAK	OPLOSSING
Handgreep is niet op zijn plaats.	De slotbouten zijn niet goed geplaatst.	Stel de hoogte van het handgreep af en zorg ervoor dat de slotbouten goed zijn vastgemaakt.
Grasmaaier start niet.	Accustand is laag.	Laad de accu op.
	Accu functioneert niet of kan niet worden opgeladen.	Vervang de accu.
	Batterijsleutel niet geïnstalleerd.	Batterijsleutel inbrengen.
Maaiër maait het gras oneven.	Het gazon is ruw of oneffen of de maaihoogte is niet juist ingesteld.	Breng de wielen in een hogere positie. Alle wielen moeten op dezelfde maaihoogte worden ingesteld om ervoor te zorgen dat de grasmaaier even maait.
Grasmaaier mulcht niet goed.	Nat grasafval blijft aan de onderkant van het dek kleven.	Wacht tot het gras droog is voor het maaien.
Grasmaaier kan moeilijk worden voortgeduwd.	Hoog gras, achterkant van de grasmaaier-behuizing en het snijblad slepen in hoog gras of de snijhoogte is te laag.	Verhoog de maaihoogte.
Grasmaaier vangt het gras niet goed op.	Maaihoogte is te laag ingesteld.	Verhoog de maaihoogte.
Motor trilt bij hogere snelheid.	Maaiblad is ongelijk, overdreven of ongelijk versleten.	Vervang het maaiblad.
	Motoras is gebogen.	Stop de motor, verwijder de isolatorsleutel en de accu, ontkoppel de stroomvoorziening en controleer op schade. Laat herstellingen door een erkende onderhoudsdienst uitvoeren vooraleer u herstart.
Motor stopt tijdens het maaien.	Maaihoogte is te laag ingesteld.	Verhoog de maaihoogte.
	Accu staat niet onder stroom.	Laad de accu op.

Als deze oplossingen het probleem niet verhelpen, neemt u contact op met uw geautoriseerde onderhoudsverdeler.

Русский (Перевод из первоначальных инструкций)

ТЕХНИЧЕСКИЕ ХАРАКТЕРИСТИКИ

Газонокосилка	2502907
Ширина фрезеровки	46 см
Высота стрижки	25 mm - 80 mm
Холостая скорость	2800 rpm
Скорость самоходного движения	0.5-1.5 m/s
Измеренный уровень звуковой мощности	LpA :73 dB(A), K:3.0
уровень звукового давления	LwA :85.5 dB(A)
Уровень вибрации	<2.5 m/s ² , K=1.5
Вместимость контейнера для травы	52 L
Вес нетто	28 kg
Запасное лезвие	2920407
Аккумулятор	Литий-ионных
Номер модели	2918307 / 2918407
Зарядное устройство	
Номер модели	2918507
Конструкция с двойной изоляцией	

16. Задняя дверца
17. Заднее разгрузочное отверстие
18. Дверной стержень
19. Скобы
20. Пильное полотно
21. Вал двигателя
22. Вентилятор
23. Болт пильного диска
24. Основание режущего лезвия
25. Кнопка фиксатора батареи
26. Заглушка для мульчирования
27. Боковой разгрузочный отрагатель
28. Боковая разгрузочная дверца
29. Деревянный брусок (в комплект не входит)
30. Гаечный ключ (в комплект не входит)
31. Предохранительный ключ
32. Рычаг самоходного движения
33. Регуляторы скорости самоходного движения

▲ ОСТОРОЖНО

Использование аккумуляторных батарей другого типа может привести к возгоранию, поражению электрическим током или телесным повреждениям.

ЗНАКОМСТВО С ГАЗОНОКОСИЛКОЙ

См. рис. 1.

Безопасное использование устройства требует понимания информации, нанесенной на устройство и приведенной в данном руководстве по эксплуатации, а также знания выполняемой работы. Перед использованием данного устройства ознакомьтесь со всеми режимами работы и правилами техники безопасности.

БАТАРЕЙНЫЙ СЧЕТЧИК

Батарейный счетчик показывает уровень остаточного заряда аккумуляторной батареи.

КОНТЕЙНЕР ДЛЯ ТРАВЫ

В контейнере для травы собираются обрезки травы, что предотвращает их разбрасывание по газону во время стрижки.

РЫЧАГ РЕГУЛИРОВАНИЯ ВЫСОТЫ

Рычаг регулировки высоты позволяет производить регулировку высоты стрижки.

ОПИСАНИЕ

1. Рычаг управления стартером
2. Управляющий кабель двигателя
3. Кнопка запуска
4. Верхняя ручка
5. Нижняя ручка
6. Рычаг регулирования высоты
7. Дверца отсека батареи
8. Переднее колесо
9. Заднее колесо
10. Контейнер для травы
11. Аккумулятор
12. Фиксатор ручки
13. Фиксатор
14. болта
15. Ручка контейнера для травы

Русский (Перевод из первоначальных инструкций)

УПРАВЛЯЮЩИЙ КАБЕЛЬ ДВИГАТЕЛЯ

С помощью управляющего кабеля двигателя, подключенного к верхней рукоятке газонокосилки, производится включение и выключение двигателя и режущего лезвия.

КЛЮЧ ПУСКА

Ключ пуска должен быть вставлен перед запуском газонокосилки.

БОКОВОЙ РАЗГРУЗОЧНЫЙ ОТРАЖАТЕЛЬ

Когда трава слишком высокая для выполнения мульчирования или предпочтительно выполнение боковой разгрузки, используйте боковой разгрузочный отражатель на газонокосилке. Обрезки травы, получающиеся при использовании бокового разгрузочного отражателя, значительно длиннее травы, получающейся при использовании заглушки для мульчирования и боковой мульчирующей пластины.

БОКОВАЯ РАЗГРУЗОЧНАЯ ДВЕРЦА

На газонокосилке имеется дверца, закрывающая боковое разгрузочное отверстие, что позволяет режущему лезвию производить многократную стрижку травы для получения более мелких обрезков, если используется заглушка для мульчирования; в противном случае обрезки травы направляются в мешок для сбора.

выполните тщательный осмотр и не убедитесь в нормальной работе устройства.

- Если какая-либо деталь повреждена или отсутствует, обратитесь в службу работы с клиентами компании Greenworks tools за помощью.

УПАКОВОЧНЫЙ ЛИСТ

- Газонокосилка
- Предохранительный ключ
- Контейнер для травы
- Заглушка для мульчирования
- Боковой разгрузочный отражатель
- Руководство пользователя
- Фиксаторы
- Болты

⚠ ОСТОРОЖНО

Если любые части повреждены, или отсутствуют не использовать это изделие, пока части не заменены. Использование устройства с поврежденными деталями или без установки таких деталей может привести к получению тяжелых травм.

⚠ ОСТОРОЖНО

Не пытайтесь изменять это изделие или создавать принадлежности, не рекомендуемые для использования с этим изделием. Любое такое изменение или модификация - неправильное употребление и могут кончатся опасным состоянием, ведущим к возможному серьезному персональному ущербу.

СБОРКА

РАСПАКОВЫВАНИЕ

Данное устройство требует сборки.

- Осторожно извлеките устройство и все приспособления из коробки. Проверьте наличие всех деталей, перечисленных в упаковочном листе.

⚠ ОСТОРОЖНО

Не пользуйтесь устройством, если при его распаковке обнаружится, что какие-либо детали из упаковочного листа уже смонтированы на устройстве. Детали из данного списка не монтируются на устройстве изготовителем, они должны устанавливаться покупателем. Использование неправильно собранного устройства может привести к серьезной травме.

- Внимательно осмотрите устройство на наличие дефектов или повреждений, возникших при транспортировке.
- Не выбрасывайте материал упаковки, пока не

⚠ ОСТОРОЖНО

Не вставляйте предохранительный ключ до окончания сборки и до момента, когда вы будете готовы начать скашивание. Несоблюдение этого правила может привести к случайному запуску и серьезным травмам.

⚠ ОСТОРОЖНО

Чтобы предотвратить случайный запуск, который может стать причиной серьезного травмирования, всякий раз извлекайте аккумуляторную батарею из устройства, когда собираетесь демонтировать его узлы.

Русский (Перевод из первоначальных инструкций)**⚠ ОСТОРОЖНО**

Никогда не работайте с газонокосилкой без установленных и исправных устройствах защиты. Никогда не используйте косилку с поврежденными устройствами безопасности. Действие этого изделия с поврежденными или отсутствующими частями может кончиться серьезным персональным ущербом.

РАСКРЫВАНИЕ И РЕГУЛИРОВКА НИЖНЕЙ РУЧКИ

См. рис. 2.

- Потяните и поверните фиксаторы ручки на 90° по обоим сторонам, чтобы ослабить нижние ручки с обеих сторон.
- Переместите нижние ручки в рабочее положение. Вы можете поднять или опустить ручку в удобное для вас положение. Вы можете выбрать одну из 3 позиций. Освободите фиксаторы ручки, чтобы нижняя ручка встала на свое место.

ПРИМЕЧАНИЕ. Убедитесь, что обе стороны находятся в одинаковом положении для правильной сборки.

УСТАНОВКА ВЕРХНЕЙ РУЧКИ

См. рис. 3.

- Совместите монтажные отверстия в верхней и нижней ручке. Вставьте болты с квадратным подголовком затяните их с помощью фиксаторов. Повторите эти действия на другой стороне.

УСТАНОВКА КОНТЕЙНЕРА ДЛЯ ТРАВЫ

См. рис. 4.

- Снять тыловую дверь разгрузки.
- Поднимите травосборник за ручку и установите его под заднюю разгрузочную дверцу так, чтобы крючки на травосборнике сидели на стержне дверцы.
- Освободите заднюю разгрузочную дверцу. При правильной установке крючки на травосборнике пройдут через отверстия на задней разгрузочной дверце.

УСТАНОВКА ЗАГЛУШКИ ДЛЯ МУЛЬЧИРОВАНИЯ

См. рис. 5.

- Поднимите и придержите заднюю разгрузочную дверцу.
- Возьмите заглушку для мульчирования за ручку и установите под небольшим углом, как показано на рисунке.
- Надежно задвиньте заглушку для мульчирования на место.
- Опустите заднюю разгрузочную дверцу.

УСТАНОВКА БОКОВОГО РАЗ ГРУЗОЧНОГО ОТРАЖА ТЕЛЯ

См. рис. 6.

ПРИМЕЧАНИЕ: При использовании бокового разгрузочного отражателя не устанавливайте контейнер для травы. Заглушка для мульчирования должна оставаться на своем месте.

- Поднимите боковую разгрузочную дверцу.
- Совместите скобы отражателя со стержнем петли с обратной стороны дверцы.
- Опустите отражатель, чтобы скобы зафиксировались на стержне петли дверцы для мульчирования.
- Опустите отражатель и боковую разгрузочную дверцу

УРЕГУЛИРОВАНИЕ ВЫСОТЫ ЛЕЗВИЯ

См. рис. 7.

Когда отправлено, колеса на косилке установлены в низко сокращающее положение. Перед использованием косилки впервые, регулировать сокращающее положение к высоте, лучше всего удовлетворенной для вашей лужайки. Средняя высота газона должна составлять от 38 до 51 мм в холодное время года и от 51 до 70 мм в теплое время года.

Для настройки высоты режущего лезвия

- Чтобы поднимать высоту лезвия, схватить рычаг регулирования высоты, и переместить его к задней части косилки.
- Чтобы понизить высоту лезвия, схватить рычаг регулирования высоты, и переместить его к фронту косилки.

ЭКСПЛУАТАЦИЯ**⚠ ОСТОРОЖНО**

Овладев зарядным устройством, не теряйте бдительности. Помните, что достаточно секунды невнимания, чтобы получить тяжелую травму.

⚠ ОСТОРОЖНО

Всегда надевайте средства защиты зрения. При несоблюдении этого правила техники безопасности посторонние предметы могут попасть в глаза и вызвать тяжелые глазные травмы.

Русский (Перевод из первоначальных инструкций)**▲ ОСТОРОЖНО**

Пользуйтесь только рекомендованными изготовителем деталями и аксессуарами. Использование других деталей и аксессуаров ведет к тяжелым травмам.

▲ ОСТОРОЖНО

Перед использованием всегда проверяйте газонокосилку на комплектность оснащения и наличие поврежденных деталей, а также проверяйте режущее лезвие на наличие повреждений, искривления или чрезмерного износа. Использование устройства с поврежденными деталями или без установки таких деталей может привести к получению тяжелых травм.

- Не наклоняйте газонокосилку во время запуска двигателя, за исключением тех случаев, когда это оязательно требуется при запуске устройства. В этом случае не наклоняйте устройство больше, чем это необходимо, и поднимите только дальнюю от оператора часть.
- Не начать двигатель, когда стоите перед разгрузочным желобом.
- Не держите руки или ноги вблизи вращающихся деталей или под ними. Всегда очищайте разгрузочное отверстие.

Для получения полных сведений о зарядке обращайтесь к разделу технических характеристик Руководства пользователя, где приведен перечень аккумуляторных батарей и зарядных устройств.

УСТАНОВКА АККУМУЛЯТОРНОЙ БАТАРЕИ

См. рис. 8.

- Поднимите и придержите крышку аккумуляторной батареи.
- Совместите батарею со входом в батарейный отсек на газонокосилке.
- Убедитесь, что кнопка фиксатора батареи на своем месте, и что батарея надежно установлена и правильно закреплена в газонокосилке перед началом работы.
- Вставьте предохранительный ключ.
- Не вставляйте предохранительный ключ, если вы не собираетесь сразу начать работу с устройством.
- Закройте дверцу.

ИЗВЛЕЧЕНИЕ АККУМУЛЯТОРНОЙ БАТАРЕИ

См. рис. 8.

- Отпустите рычаг управления стартером, чтобы остановить устройство.

- Откройте дверцу батарейного отсека, чтобы получить доступ к батарейному отсеку.
- Извлеките предохранительный ключ.
- Нажмите кнопку фиксатора батареи на газонокосилке. Это приведет к тому, что батарея будет слегка выступать из устройства.
- Remove battery pack from the product.

СТАРТ/ОСТАНОВКА КОСИЛКИ

См. рис. 9.

- Нажмите и удерживайте кнопку блокировки.
- Потяните рычаг управления двигателем вверх к ручке, чтобы запустить газонокосилку и отпустите кнопку блокировки.
- Чтобы остановить газонокосилку, отпустите рычаг управления.

ПРИМЕЧАНИЕ. Во время торможения электрического двигателя могут возникнуть высокочастотный шум и искрение. Это нормально.

СКАШИВАНИЕ ПРИ САМОХОДНОМ ДВИЖЕНИИ

См. рис. 9.

Включение самоходного движения:

- Откройте дверцу батарейного отсека.
- Установите батарею.
- Вставьте предохранительный ключ.
- Потяните рычаг самоходного движения вверх к ручке.

Выключение самоходного движения:

- Отпустите рычаг самоходного движения.
- Регулировка скорости самоходного движения:**
- Потяните рычаг регулировки скорости в сторону значка с изображением кролика, чтобы увеличить скорость.
 - Толкните рычаг регулировки скорости в сторону значка с изображением черепахи, чтобы уменьшить скорость.

СКОС ВЕРХУШЕК

- Убедитесь, что на газоне нет камней, палок, проволоки и других предметов, которые могли бы привести к повреждению режущих лезвий газонокосилки или двигателя. Не производите стрижку около разделительных столбов землевладения и других металлических стоек. Такие объекты могут быть случайно брошены косилкой в любом направлении и причинить серьезный персональный ущерб оператору и другим.
- Для получения красивого газона срезают одну треть от общей высоты травы или меньше.
- Не сократите влажную траву, она будет

Русский (Перевод из первоначальных инструкций)

придерживаться нижней стороны палубы, и претод вращать надлежащее помещение в мешкиили разгрузку травы отсечения.

- Для стрижки свежей или густой травы может потребоваться уменьшение ширины или увеличение высоты стрижки.
- Чистить нижнюю сторону палубы косилки после каждого использования, чтобы удалить траву отсечения, листья, грязь, и любые другие накопленные развалины.
- При сокращении длинной травы, уменьшить скорость, чтобы учесть более эффективное сокращение и надлежащую разгрузку отсечения.

ПРИМЕЧАНИЕ. Обязательно остановите газонокосилку, дождитесь полной остановки лезвия и извлеките предохранительный ключ перед чисткой нижней части газонокосилки.

НАКЛОННОЕ ДЕЙСТВИЕ

⚠ ОСТОРОЖНО

Наклоны - главный фактор, приводящий к промахам и падению, которые могут кончатся серьезным ущербом. Действие на наклонах требует дополнительного предостережения. Если Вы чувствуете себя неловко на наклоне, не косите. Для вашей безопасности, не пытайтесь косить наклоны большее чем 15 градусов.

⚠ ОСТОРОЖНО

Когда скашивание выполняется при самоходном движении вверх по склону, скорость движения должна быть низкой.

- Не косить поперек наклонов, никогда вверх и вниз. Осуществлять чрезвычайное предостережение при изменении направления на наклоне.
- Осмотреть на наличие отверстий, колея, камней, скрытых объектов, или ударов, которые могут заставлять Вас скользить или спотыкаться. Высокая трава может скрывать препятствия. Удалить все объекты типа камней, ветвей дерева, и т.д., который могут быть захвачены, закончены или брошены лезвием.
- Сохраняйте устойчивость во время работы. Промах и падение могут причинять серьезный персональный ущерб. Если вы чувствуете, что теряете равновесие, сразу же отпустите рычаг управления стартером.
- Не косить около выбоин, канав, или набережных; Вы можете терять вашу опору или баланс.

ОПОРОЖНЕНИЕ КОНТЕЙНЕРА ДЛЯ ТРАВЫ

См. рис. 10.

- Остановите газонокосилку, дождитесь полной остановки лезвия и извлеките изолирующий ключ.
- Поднимите заднюю дверцу.
- Поднимите контейнер для травы за ручку и выньте из газонокосилки.
- Опустошить отсечения травы.
- Поднимите заднюю дверцу и установите контейнер для травы на место, как было описано ранее в данном руководстве.

ТЕХНИЧЕСКОЕ ОБСЛУЖИВАНИЕ

⚠ ОСТОРОЖНО

Перед проведением технического обслуживания убедитесь, что батарея газонокосилки и предохранительный ключ извлечены во избежание случайного запуска и серьезных травм.

⚠ ОСТОРОЖНО

Для предотвращения случайного пуска или несанкционированного использования беспроводная газонокосилка оснащена съемным предохранительным ключом. Чтобы полностью выключить газонокосилку, необходимо извлечь предохранительный ключ и хранить его вдали от газонокосилки в недоступном для детей месте.

⚠ ОСТОРОЖНО

При проведении технического обслуживания используйте только рекомендованные запчасти. Использование любых других частей может создавать опасность или причинять повреждение изделия.

⚠ ОСТОРОЖНО

Очищайте двигатель и отсек аккумуляторной батареи от травы, листьев и лишней смазки. Это поможет снизить опасность возгорания.

ОБЩЕЕ ОБСЛУЖИВАНИЕ

Перед каждым использованием проверьте инструмент на отсутствие повреждений, недостающих или ослабших деталей (винты, гайки, болты, крышки и т.п.

Надежно затяните все крепления и крышки и не пользуйтесь инструментом до замены всех утерянных или поврежденных деталей. За консультацией

Русский (Перевод из первоначальных инструкций)

обращаться в службу поддержки компании Greenworks tools. При очистке пластмассовых деталей не допускается использовать растворители. Большинство пластмасс восприимчиво, чтобы повредиться от различных типов коммерческих растворителей и может быть повреждено их использованием. Для очистки от грязи, пыли, масла, смазки и т.п. используйте протирочную тряпку.

⚠ ОСТОРОЖНО

Чтобы снизить риск повреждения и возникновения опасной ситуации, никогда не очищайте устройство водой под давлением или под проточной водой.

⚠ ОСТОРОЖНО

Хранить только в помещении. Всегда извлекайте аккумулятор из газонокосилки и зарядного устройства перед очисткой и хранением инструмента.

⚠ ОСТОРОЖНО

Не допускайте взаимодействия тормозных жидкостей, бензина, нефтепродуктов, пропиточных масел и т.п. с пластмассовыми деталями. Химикаты могут повредить, ослабить или разрушить пластмассу, что может привести к тяжелым телесным повреждениям.

Периодически проверять все болты и задвижки для надлежащей плотности, чтобы гарантировать безопасное действие косилки.

Вытирать косилку, чистой и сухой тканью иногда. Не использовать воду.

СМАЗЫВАНИЕ

Все отношения в этом изделии - смазаны достаточным количеством смазки высшего качества для жизни единицы под нормальными эксплуатационными режимами. Поэтому, никакая дальнейшая смазка отношения, не требуется.

⚠ ОСТОРОЖНО

Не смазывать никакой из компонентов колеса. Смазка может привести к сбою в работе компонентов колеса во время стрижки, что может привести к серьезной травме оператора и/или повреждению газонокосилки или другого имущества.

ЗАМЕНА СОКРАЩАЮЩЕГО ЛЕЗВИЯ

См. рис. 11-12.

ПРИМЕЧАНИЕ: Используйте только разрешенные

запасные режущие лезвия. Замените изношенные или поврежденные режущие лезвия и болты в комплекте, чтобы обеспечить балансировку.

- Остановите двигатель и извлеките предохранительный ключ. Дождитесь полного останова режущего лезвия.
- Снимите аккумуляторную батарею.
- Повернуть косилку на ее сторону.
- Втиснуть блок древесины между лезвием и палубой косилки, чтобы предотвратить лезвие от превращения.
- Используя ключ на 27 мм (не входит в комплект поставки), ослабьте болт пильного диска поворотом против часовой стрелки, если смотреть с нижней части газонокосилки.
- Снимите болт пильного диска и сам диск.
- Установите новый пильный диск на вал. Убедитесь, что пильный диск правильно сидит на валу, проходящем через центральное отверстие пильного диска, и два штыря на вентиляторе вставлены в соответствующие отверстия на пильном диске. Убедитесь, что он установлен с загнутыми концами вверх в сторону основания газонокосилки, а не вниз к земле. При правильном размещении напротив вентилятора должна находиться плоская часть диска.
- Наживите болт пильного диска на вал и затяните пальцами.
- Затяните гайку режущего лезвия гаечным ключом (не прилагаются), вращая по часовой стрелке, чтобы обеспечить надлежащую затяжку болта. Рекомендуемый крутящий момент при затягивании гайки режущего лезвия составляет 62,5-71,5 кгс·см (350-400 дюйм/фунт).

ОХРАНА ОКРУЖАЮЩЕЙ СРЕДЫ

- Охрана окружающей среды должна являться существенным и первоочередным аспектом при использовании машины, во благо человеческого общества и окружающей среды, в которой мы живем. Старайтесь не беспокоить окружающих.
- Строго соблюдайте местные нормы по утилизации упаковки, масел, бензина, фильтров, поврежденных частей или любых элементов со значительным влиянием на окружающую среду; эти отходы не должны выбрасываться с бытовым мусором, а собираться отдельно и передаваться в специальные центры сбора отходов, выполняющие их переработку.
- Строго соблюдайте действующие на местном уровне правила по вывозу отходов работы.
- После завершения срока службы машины не выбрасывайте ее, а обратитесь в центр сбора отходов в соответствии с действующим местным законодательством.

Русский (Перевод из первоначальных инструкций)


ПОИСК НЕИСПРАВНОСТЕЙ

Проблема	Возможные причины	Решение
Рукоятка не в нужном положении.	Болты с квадратным подголовком сидят ненадлежащим образом.	Отрегулируйте высоту рукоятки и убедитесь, что болты с квадратным подголовком сидят правильно.
Газонокосилка не запускается.	Низкий уровень заряда батареи.	Зарядите батарею.
	Батарея неисправная или не может заряжаться.	Замените аккумуляторную батарею.
	Предохранительный ключ не вставлен.	Вставьте предохранительный ключ.
Газонокосилка неровно стрижет траву.	Трава газона жесткая или неровная либо неправильно выбрана высота стрижки.	Переместите колеса в более высокое положение. Для обеспечения ровной стрижки все четыре колеса газонокосилки должны быть установлены на одной высоте стрижки.
Газонокосилка производит мульчирование ненадлежащим образом.	Обрезки мокрой травы прилипают с нижней стороны основания газонокосилки.	Прежде чем стричь траву, дождитесь ее высыхания.
Газонокосилка с трудом перемещается при толкании.	Высокая трава, тыл размещения косилки и лезвия, притягивающего тяжелую траву, или высота среза слишком низкие.	Увеличьте высоту стрижки.
Газонокосилка производит упаковку в мешки ненадлежащим образом.	Установленная высота стрижки слишком маленькая.	Увеличьте высоту стрижки.
Косилка, вибрирует на более высокой скорости.	Режущее лезвие разбалансировалось, чрезмерно износилось или износ его неравномерный.	Замените режущее лезвие.
	Вал двигателя погнулся.	Остановите двигатель, выньте ключ зажигания, снимите аккумуляторную батарею, отсоедините устройство от источника питания и проверьте на наличие повреждений. Восстановить в уполномоченном центре обслуживания перед стартом.
Двигатель останавливается во время стрижки.	Установленная высота стрижки слишком маленькая.	Увеличьте высоту стрижки.
	Батарея разрядилась.	Зарядите батарею.

Если предлагаемые меры не приводят к устранению неисправности, обращайтесь в уполномоченный сервисный центр.

Suomi (Alkuperäisten ohjeiden käännös)

TEKNISET TIEDOT

Ruohonleikkurit	2502907
Jyrsintäleveys	46 cm
Leikkukorkeus	25 mm - 80 mm
Nopeus ilman kuormaa	2800 rpm
Nopeus itsevedolla	0.5-1.5 m/s
äänipaineen taso	LpA :73 dB(A), K:3.0
Mitattu äänenteho	LwA :85.5 dB(A)
Tärinätaso	<2.5 m/s ² , K=1.5
Ruoholaatikon tilavuus	52 L
Kokonaispaino	28 kg
Varaterä	2920407
Akku	Litiumioni
Mallinumero	2918307 / 2918407
Akkulaturi	
Mallinumero	2918507
Kaksoiseristysrakenne	

KUVAUS

1. Kaasuvipu
2. Moottorin ohjauskaapeli
3. Käynnistyspainike
4. Yläkahva
5. Alakädensija
6. Korkeudensäätövipu
7. Akkutilan kansi
8. Etupyörä
9. Takapyörä
10. Ruoholaatikko
11. Akku
12. Kahvan nuppi
13. Nuppi
14. Ruuvi
15. Ruoholaatikon kädensija
16. Takaluukku
17. Taempi purkaukko
18. Luukun tappi

19. Koukut
20. Terä
21. Moottorina akseli
22. Tuuletin
23. Terän pultti
24. Terän tapit
25. Akun vapautuspainike
26. Takapyörän suojus
27. Taka-akseli
28. Silppuripistoke
29. Puupalikka (ei mukana)
30. Säätöavain (ei mukana)
31. Akun avain
32. Itsevetovipu
33. Itsevedon nopeussäätö

VAROITUS

Muiden akkujen käyttö voi johtaa tulipaloon, sähköiskuun tai loukkaantumiseen.

TUNNE RUOHONLEIKKURISII

Katso kuvaa 1.

Laitteen turvallinen käyttö edellyttää, että käyttäjä ymmärtää sen sekä tämän käsikirjan tiedot sekä suoritettavan tehtävän. Tutustu kaikkiin ominaisuuksiin ja turvallisuusääntöihin ennen laitteen käyttämistä.

AKKUMITTARI

Akkumittari mittaa akussa jäljellä olevan latauksen määrää.

RUOHOLAATIKKO

Ruoholaatikko kerää ruoholeikkujätteet ja estää niitä levimästä nurmikolle leikkaamisen aikana.

KORKEUDENSÄÄTÖVIPU

Leikkukorkeutta voidaan säätää korkeudensäätöivulla.

MOOTTORIN OHJAUSKAPELI

Ruohonleikkurin yläkädensijassa sijaitseva moottorin ohjauskaapeli kytkee moottorin ja terän päälle ja pois.

AVAINKYTKIN

Avainkytkin on asetettava lukkoon, ennen kuin ruohonleikkuri voidaan käynnistää.

SILPPURIPISTOKE

Ruohonleikkurissa on silppuripistoke, joka peittää takana olevan poistoaukon, jolla leikkuri voi leikata ruohoa toistuvasti pienemmäksi silpuksi.

Suomi (Alkuperäisten ohjeiden käännös)

SIVULLA OLEVA POISTO-OHJAIN

Käytä ruohonleikkurin sivulla olevaa poisto-ohjainta, kun ruoho on liian pitkää silputtavaksi tai kun haluat purkaa leikkuujätteet sivulle. Sivussa olevaa poistoohjainta käytettäessä syntymät ruoholeikkuujäte ovat huomattavasti suurempia kuin silppuripistokeella ja sivusilppurilevyllä syntyvät.

SIVULLA OLEVA POISTOLUUKKU

Ruohonleikkurissa on luukku, joka peittää sivussa olevan poistoaukon, jonka ansiosta leikkurin terä voi leikata ruohoa toistuvasti pienemmäksi silpuksi, kun käytetään silppuripistoketta; muussa tapauksessa se ohjaa leikkuujätteen keräyspussiin.

KOKOONPANO

PAKKAUKSEN PURKAMINEN

Tämä laite on koottava.

- Ota tuote ja lisälaitteet varoen ulos laatikosta. Tarkista, että laatikko sisältää kaikki pakkauslistan osat.

⚠ VAROITUS

Älä käytä laitetta, jos jokin pakkauslistan osista on jo asennettu laitteeseen pakkausta purettaessa. Valmistaja ei asenna listan osia tuotteeseen, vaan käyttäjän on hoidettava niiden asennus. Jos laite kootaan virheellisesti, sen käyttö voi johtaa vakaviin vammoihin.

- Tarkista tuote huolella ja varmista, että se ei ole vioittunut kuljetuksen aikana.
- Älä hävitä pakkausmateriaaleja, ennen kuin olet tarkastanut tuotteen ja käyttänyt sitä tyydyttävästi.
- Jos jokin osa on vioittunut tai puuttuu, soita Greenworks tools asiakaspalveluun ja pyydä apua.

LÄHETYSLUETTELO

- Ruohonleikkurit
- Akun avain
- Ruoholaatikko
- Silppuripistoke
- Sivulla oleva poisto-ohjain
- Käyttöohjeet
- Nupit
- Pultit

⚠ VAROITUS

Jos osia puuttuu, älä käytä työkalua ennen, kuin olet hankkinut puuttuvan osan. Jos tuotetta käytetään osan puuttuessa tai ollessa viallisia, käyttäjä voi loukkaantua vakavasti.

⚠ VAROITUS

Älä yritä tehdä muutoksia työkaluun tai liittää siihen lisävarusteita, joita ei suositella käytettäväksi tämän tuotteen kanssa. Jokainen sellainen muutos tai korjaus on väärinkäyttöä ja voi johtaa vaarallisiin, vakaviin loukkaantumisiin johtaviin tilanteisiin.

⚠ VAROITUS

Älä kytke akun avainta, ennen kuin laite on täysin koottu ja olet valmis leikkaamaan ruohoa. Muutoin se voi käynnistyä tahattomasti, mikä saattaa aiheuttaa vakavan vamman.

⚠ VAROITUS

Jotta välttyisit vahinkokäynnistymisiltä, jotka voivat aiheuttaa vakavan loukkaantumisen, poista akku tuotteesta aina kun asennat osia..

⚠ VAROITUS

Älä koskaan käytä ruohonleikkuria ilman, että asianmukaiset suojalaitteet ovat paikoillaan ja toimivat. Älä koskaan käytä leikkuria, jos turvalaitteet ovat viallisia. Tämän tuotteen käyttö silloin, kun osat ovat viallisia tai niitä puuttuu, voi johtaa vakavaan loukkaantumiseen.

ALEMMAN KAHVAN AVAAMINEN JA SÄÄTÖ

Katso kuvaa 2.

- Vedä molemman puolen kahvan nuppeja ja kierrä niitä 90° löysentääksesi alempia kahvoja molemmin puolin.
- Siirrä alemmat kahvat käyttöasentoon. Voit nostaa tai laskea kahvan mukavaan asentoon. Valittavia asentoja on kolme (3). Vapauta kahvan nupit lukitaksesi alemman kahvan paikoilleen.

HUOMAUTUS: Varmista, että molemmat puolet ovat samassa asennossa.

ASENTAMINEN YLÄ-KAHVA

Katso kuvaa 3.

- Kohdista ylemmän ja alemman kahvan asennusreiät. Aseta lukkopultit paikoilleen ja kiristä ne nupuilla.

Suomi (Alkuperäisten ohjeiden käännös)

Toista toisella puolella.

RUOHOLAATIKON ASENTAMINEN

Katso kuvaa 4.

- Nosta taka poistoaukko
- Nosta ruohonkeräintä kahvasta ja aseta taemman purkuluukun alle siten, että ruohonkeräimen koudut istuvat luukun tangossa.
- Vapauta taempi purkuluukku alas. Oikein asennettuna ruohonkeräimen koudut kulkevat taemman purkuluukun aukkojen läpi.

SILPPURIPISTOKKEEN ASENTAMINEN

Katso kuvaa 5.

- Pidä taempaa purkuluukku ylhäällä.
- Ota kiinni silppurin pistokkeen kahvasta ja asenna se kuvan mukaisesti lievässä kulmassa.
- Työnä silppuripistoke tukevasti paikoilleen.
- Laske taempi purkuluukku alas.

SIVULLA OLEVAN POISTO-OHJAIMEN ASENTAMINEN

Katso kuvaa 6.

HUOMAUTUS: Kun käytät sivulla olevaa poisto-ohjainta, älä asenna ruoholaatikkoa. Silppuripistokkeen tulee pysyä asennettuna.

- Nosta sivulla olevaa purkuluukku.
- Kohdista ruohonohjaimen koudut luukun alapuolella olevan saranatapin kanssa.
- Laske ohjainta, kunnes sen koudut lukittuvat silppurin luukun saranatappiin.
- Vapauta ruohonohjain ja sivulla oleva purkuluukku.

TERÄN KORKEUDEN SÄÄTÄMINEN

Katso kuvaa 7.

Ruohonleikkurin leikkuukorkeus on asetettu matalaksi kuljetuksen ajaksi. Säädä leikkuukorkeus nurmikolle parhaiten sopivaksi ennen ensimmäistä käyttökertaa. Nurmikon tulee tavallisesti olla pituudeltaan 38-51 mm viileinä kuukausina ja 51-70 mm kuumina kuukausina.

Terän korkeuden säätäminen

- Nosta terää siirtämällä korkeudensäätövipua leikkurin takaosaa kohti.
- Laske terää siirtämällä korkeudensäätövipua leikkurin etuosaa kohti.

KÄYTTÖ

⚠ VAROITUS

Älä unohda valppautta kun olet oppinut laitteen käytön. Muista aina, että hetken kestävä huolimattomuus voi johtaa vakavaan loukkaantumiseen.

⚠ VAROITUS

Käytä aina suojalaseja. Tämän ohjeen laiminlyönti voi aiheuttaa roskien sinkoutumista silmiin käytön aikana ja aiheuttaa täten vakavia silmävammoja.

⚠ VAROITUS

Älä käytä muita, kuin valmistajan tälle laitteelle suosittelemia varaosia ja lisävarusteita. Muiden, kuin suositeltujen varaosien ja lisävarusteiden käyttö voi aiheuttaa vakavaa loukkaantumisvaaraa.

⚠ VAROITUS

Tarkista ruohonleikkuri aina puuttuvien ja vioittuneiden osien ja terän vaurioiden, epätasaisuuden ja liiallisen kulumisen varalta. Jos tuotetta käytetään osan puuttuessa tai ollessa viallisia, käyttäjä voi loukkaantua vakavasti.

- Älä kallista ruohonleikkuria moottoria käynnistäessäsi, ellei ruohonleikkuria ole kallistettava, jotta se käynnistyisi. Älä tällöin kallista laitetta enemmän kuin on täysin välttämätöntä, ja nosta ainoastaan sitä osaa, joka on pois päin käyttäjästä.
- Älä käynnistä moottoria silloin, kun seisot ruohonkeruuaikon edessä.
- Älä laita käsiä tai jalkoja lähelle pyöriä osia tai niiden alle. Pysy aina kaukana purkuaukosta..

Täydet latausohjeet on teknisissä tiedoissa luettujen akkujen ja laturien käyttöohjeissa.

AKUN ASENTAMINEN

Katso kuvaa 8.

- Pidä akun suojusta ylhäällä.
- Kohdista akku ruohonleikkurin akkutilaan.
- Varmista ennen käyttöä, että akun vapautuspainike napsahtaa paikoilleen ja että akku istuu asianmukaisesti ja tukevasti leikkurissa.
- Aseta akun avain paikoilleen.
- Jos laitetta ei käytetä heti, älä aseta akun avainta paikoilleen.
- Sulje luukku.

AKUN IRROTTAMINEN

Katso kuvaa 8.

- Sammuta laite vapauttamalla kaasuvipua.
- Avaa akkutilan luukku päästäksesi käsiksi akkutilaan.
- Irrota akun avain.

Suomi (Alkuperäisten ohjeiden käännös)

- Paina ruohonleikkurin akun vapautuspainiketta. Tällöin akku tulee hieman ulos laitteesta.
- Poista akku tuotteesta.

RUOHONLEIKKURIN KÄYNNISTÄMINEN/SAMMUTUS

Katso kuvaa 9.

- Paina turvalukituspainiketta ja pidä se pohjassa.
- Käynnistä ruohonleikkuri vetämällä tehovipu kädensijaa vasten ja vapauttamalla turvalukituspainike.
- Sammuta ruohonleikkuri vapauttamalla kytkimen hallintavipu.

HUOMAUTUS: Sähkömoottorin hidastuessa saattaa kuulua kimeää ääntä ja ilmetä kipinöitä. Tämä on normaalia.

ITSEVETOLEIKKUU

Katso kuvaa 9

Itsevedon kytkeminen päälle:

- Avaa akkukansi.
- Aseta akku paikoilleen.
- Aseta akun avain paikoilleen.
- Vedä itsevetovipu ylös kahvaa vasten.

Itsevedon kytkeminen pois päältä:

- Vapauta itsevetovipu.

Itsevedon nopeuden säätö:

- Vedä nopeussäätövipua jäniksen symbolia kohden lisätäksesi nopeutta.
- Työnä nopeussäätövipua kilpikonnaan symbolia kohden pienentääksesi nopeutta.

LEIKKUUUVINKKEJÄ

- Varmista, että nurmikolla ei ole kiviä, tikkuja, lankoja tai muita vierasesineitä, jotka voisivat vioittaa ruohonleikkurin teriä tai moottoria. Älä leikkaa ruohoa rajapyykkien tai metallipylväiden päällä. Tämän kaltaiset esteet saattavat vahingossa sinkoutua leikkurista mihin tahansa suuntaan ja aiheuttaa leikkurin käyttäjän ja muiden henkilöiden vakaviin loukkaantumisiin.
- Jotta nurmikko pysyisi terveenä, leikkaa aina enintään kolmasosa ruohon pituudesta.
- Älä leikkaa märkää ruohoa, se tarkkuu leikkurin pohjaan ja estää ruohon saantia säkkiin ja poistumista leikkurista.
- Uusi tai paksu ruoho voi edellyttää kapeampaa leikkuuaukua tai suurempaa leikkuukorkeutta.
- Puhdista leikkurin pohjasta ruoho, lehdet, liika ja kaikki muu sinne kertynyt jokaisen käyttökerran jälkeen.
- Pitkää ruohoa leikatessasi, kulje hitaammin ja tehosta näin leikkuuta ja ruohon poistumista leikkurista.

HUOMAUTUS: Pysäytä ruohonleikkuri, anna terien pysähtyä täysin ja irrota akun avain aina, ennen kuin puhdistat ruohonleikkurin alaosaa.

RINTEESSÄ TOIMIMINEN

⚠ VAROITUS

Rinteet ovat merkittävä syy tasapainon menettämiseen ja kaatumiseen, joka saattaa johtaa vakavaan loukkaantumiseen. Rinteessä toimiminen vaatii erityistä varovaisuutta. Jos sinua huolestuttaa rinteessä, älä leikkaa sitä. Oman turvallisuutesi vuoksi, älä yritä leikata rinteitä, joiden kaltevuussuhde on yli 15 astetta.

⚠ VAROITUS

Aja hitaasti leikatessasi ruohoa ylämäkeen.

- Leikkaa ruoho rinteissä poikittain eikä koskaan ylös alas. Ole erityisen varovainen vaihtaessasi suuntaa rinteessä.
- Vältä koloja, uria, kiviä, piilossa olevia esteitä ja möykkyjä, joihin saatat kompastua. Korkeassa nurmikossa saattaa olla piilossa esteitä. Poista kaikki esteet kuten kivet, kepit, ja muut esineet, joihin saatat kompastua tai jotka voivat sinkoutua terästä.
- Seiso aina tukevasti. Kompastuminen ja kaatuminen saattaa johtaa vakavaan loukkaantumiseen. Jos tunnet menettäväsi tasapainon, vapauta kaasuvipu välittömästi.
- Älä leikkaa ruohoa jyrkänteiden, ojien tai pengerten vierestä, jossa saatat menettää jalansijan tai tasapainosi.

RUOHOLAATIKON TYHJENTÄMINEN

Katso kuvaa 10.

- Pysäytä ruohonleikkuri, anna terien pysähtyä täysin ja irrota akun avain. Anna terien pysähtyä täysin ja irrota virta-avain.
- Nosta takaluukkua.
- Irrota ruoholaatikko ruohonleikkurista nostamalla kahvoista.
- Tyhjennä säkki.
- Nosta takaluukkua ja asenna ruoholaatikko tässä käsikirjassa aiemmin kuvatulla tavalla.

HUOLTO

⚠ VAROITUS

Ennen kuin huollat laitetta, varmista että sen akku ja akun avain on irrotettu, jotta sitä ei voi käynnistää vahingossa, sillä siitä voisi koitua vakava vamma.

Suomi (Alkuperäisten ohjeiden käännös)

VAROITUS

Tahattoman käynnistyksen ja luvattoman käytön estämiseksi johdottomassa ruohonleikkurissa on irrotettava turva-avain. Ruohonleikkurin käyttö voidaan estää täysin irrottamalla turva-avain ja säilyttämällä se etäällä leikkurista poissa lasten ulottuvilta.

VAROITUS

Tuotteen huollossa tulee käyttää ainoastaan valtuutettuja varaosia. Muunlaisten varaosien käyttö voi osoittautua vaaralliseksi ja vaurioittaa tuotetta.

VAROITUS

Pidä moottori ja akkukotelot puhtaina ruohosta, lehdistä ja liiallisesta rasvasta. Tämä auttaa vähentämään tulipalon vaaraa.

YLEISHUOLTO

Tarkista koko tuote aina ennen käyttöä vaurioiden ja puuttuvien ja löysien osien – kuten ruuvien, muttereiden, pulttien, tulppien jne.– varalta.

Kiristä kaikki liittimet ja tulpat; älä käytä tuotetta, ennen kuin kaikki puuttuvat ja vioittuneet osat on vaihdettu. Soita Greenworks tools asiakaspalveluun ja pyydä apua. Älä puhdista muoviosia liuottimilla. Suurin osa muoveista ei siedä markkinoilla olevia määrättyjä liuotteita, jotka vahingoittavat niitä. Poista lika, pöly, öljy, rasva tms. puhtailla rievuilla.

VAROITUS

Älä puhdista työkalua painevedellä tai juoksevan veden alla vaurioitumisen ja vaarojen välttämiseksi.

VAROITUS

Säilytä vain sisätiloissa. Irrota akku ruohonleikkurista ja laturista työkalun puhdistuksen ja säilytyksen ajaksi.

VAROITUS

Älä koskaan päästä jarrunesteitä, bensiiniä, öljytuotteita, lämpäiseviä öljyjä tms. kosketuksiin muoviosien kanssa. Kemikaalit voivat vioittaa, heikentää ja tuhota muovia, mikä saattaa aiheuttaa vakavan loukkaantumisen.

Varmista aina, että ruuvit ja mutterit ovat tiukasti kiinni, jotta leikkuri olisi aina turvallinen ja käyttövalmis.

Pyöhi leikkuri silloin tällöin puhtaaksi kuivalla rätillä. Älä käytä vettä.

VOITELU

Kaikki tämän tuotteen laakerit on voideltu siten, että niitä ei tarvitse voidella uudelleen koko tuotteen käyttöajan aikana, mikäli tuotetta käytetään normaaliolosuhteissa. Täten käyttäjän ei tarvitse huolehtia laakereiden voitelemisesta.

VAROITUS

Käytä suojakäsineitä ja/tai kääri terän ympärille kangasta huoltaessasi terää. Terän koskettaminen voi aiheuttaa vakavan vamman.

VAROITUS

Älä voitele pyörän osia. Voitelu voi saada pyöräkomponentit rikkoutumaan, mikä voi aiheuttaa vakavan vamman käyttäjälle tai vaurion ruohonleikkurille tai muulle omaisuudelle.

LEIKKUUTERÄN VAIHTAMINEN

Katso kuvaa 11-12.

HUOMAUTUS : Käytä ainoastaan valtuutettuja vaihtoteriä. Vaihda kuluneet tai vioittuneet terät ja pultit sarjoina säilyttääksesi tasapainon.

- Sammuta moottori ja irrota akun avain. Anna terän pysähtyä täysin.
- Irrota akku laitteesta.
- Käännä leikkuri kyljelleen.
- Työnnä puupala terän ja leikkurin väliin siten, että terä ei pääse pyörimään.
- Löysennä terän pulttia kiertämällä sitä vastapäivään (ruohonleikkurin pohjalta katsottuna) 27 mm kiinto- tai holkkiavaimella (ei mukana).
- Irrota terän pultti ja terä.
- Aseta uusi terä akselille. Varmista, että terä istuu asianmukaisesti siten, että sen keskellä olevan reiän läpi kulkee akseli ja sen reiässä on kaksi tappia. Varmista, että se on asennettu siten, että kaareva pää osoittaa yölspäin ruohonleikkurin runkoa kohden, ei maata kohden. Terän tulee oikein asetettuna istua tasaisesti puhallinta vasten.
- Kierrä terän pultti akseliin ja kiristä sormenpäillä.
- Kiristä terän mutteria kiertämällä sitä myötäpäivään momenttiavaimella (ei mukana), jotta pultti tulee oikealle kireydelle. Terän mutterin suositeltu vääntömomentti on 62.5~71.5 kgf cm (350-400 in. lb).

Suomi (Alkuperäisten ohjeiden käännös)

YMPÄRISTÖNSUOJELU

- Ympäristönsuojelun tulee olla keskeisellä sijalla käytettäessä laitetta. Vältä aiheuttamasta häiriötä naapureille.
- Noudata tarkasti paikallisia säädöksiä, koskien pakkausten, öljyn, bensiinin, suodattimien, kuluneiden osien tai minkä tahansa ongelmajätteen hävitystä. Näitä jätteitä ei saa heittää tavallisen sekajätteen joukkoon, vaan ne on kerättävä talteen erikseen ja vietävä niitä varten olevaan erilliseen jätteiden keräyspaikkaan, jossa niiden kierrätyksestä huolehditaan.
- Noudata tarkasti paikallisia säädöksiä, koskien leikkausjätteiden hävitystä.
- Kun laite otetaan pois käytöstä, älä hylkää sitä luontoon vaan vie se jätekeräykseen paikallisia ja voimassa olevia säädöksiä noudattaen.

Suomi (Alkuperäisten ohjeiden käännös)

VIANHAKU

Ongelma	Mahdollinen syy	Ratkaisu
Kädensija ei ole oikeassa asennossa.	Lukkopultit eivät istu asianmukaisesti.	Säädä kädensijan korkeus ja varmista, että pultit on asennettu asianmukaisesti.
Ruohonleikkuri ei käynnisty.	Akun varaus on vähissä.	Lataa akku.
	Akku on joki viallinen tai ei hyväksy latausta.	Vaihda akku.
	Akun avain ei ole paikoillaan.	Aseta akun avain paikoilleen.
Ruohonleikkuri leikkaa ruohoa epätasaisesti.	Nurmikko on karkeaa tai epätasaisesti tai leikkuukorkeutta ei ole asetettu asianmukaisesti.	Siirrä pyörät korkeampaan asentoon. Kaikki pyörät tulee asettaa samalle leikkuukorkeudelle, jotta ruohonleikkuri leikkaisi tasaisesti.
Ruohonleikkuri ei silppua asianmukaisesti.	Märät ruoholeikkujätteet tarttuvat ruohonleikkurin alapuolelle.	Anna ruohon kuivua ennen leikkuuta.
Ruohonleikkuria on vaikea työntää.	Ruoho on pitkää, leikkuri ja terä laahautuvat paksua ruohoa leikatessa tai leikkuukorkeus on liian matala.	Nosta leikkuukorkeutta.
Ruohonleikkuri ei pussita ruohoa asianmukaisesti.	Leikkuukorkeus on asetettu liian matalaksi.	Nosta leikkuukorkeutta.
Ruohonleikkuri tärisee korkeimmilla nopeuksilla.	Terä on epätasapainossa, liian kulunut tai kulunut epätasaisesti	Vaihda terä.
	Moottorin akseli on taipunut.	Sammuta moottori, irrota virtaavain ja akku, irrota virtalähde ja tarkista vahingot. Korjauta pätevässä huoltoliikkeessä ennen kuin käynnistät leikkurin uudelleen.
Moottori sammuu leikkuun aikana.	Leikkuukorkeus on asetettu liian matalaksi.	Nosta leikkuukorkeutta.
	Akussa ei ole virtaa.	Lataa akku.

Jos nämä ratkaisut eivät ratkaise ongelmaa, ota yhteys valtuutettuun huoltoon.

Svenska (Översättning från originalinstruktioner)

TEKNISKA DATA

Gräsklippare	2502907
Fräsbredd	46 cm
Klipphöjd	25 mm - 80 mm
Hastighet utan belastning	2800 rpm
Hastighet vid egen drif	0.5-1.5 m/s
Ijudytrycksnivå	LpA :73 dB(A), K:3.0
Uppmätt ljudeffekt	LwA :85.5 dB(A)
Vibrationsnivå	<2.5 m/s ² , K=1.5
Kapacitet för gräslåda	52 L
Nettovikt	28 kg
Reservblad	2920407
Batteri	Litiumjon
Modellnummer	2918307 / 2918407
Batteriladdare	
Modellnummer	2918507
Dubbelsolerad konstruktion	

BESKRIVNING

1. Strömspak
2. Motorkontrollkabel
3. Startknapp
4. Övre handtag
5. Sänk handtaget
6. Höjjusteringsspak
7. Batterilucka
8. Framhjul
9. Bakhjul
10. Gräslåda
11. Batteri
12. Handtagsvred
13. Vred
14. Bult
15. Gräslådehandtag
16. Bakre lucka
17. Bakre utkast
18. Dörrstag

31. Batterinyckel
32. Reglage för självdrift
33. Hastighetsreglage för självdrift

⚠ VARNING

Om du använder några andra batteripaket så kan det leda till brand, elektriska stötar eller personsador.

BEKANTA DIG MED DIN GRÄSKLIPPARE

Se bild 1.

För att använda den här produkten på ett säkert sätt krävs en förståelse av informationen på produkten och i den här användarhandboken samt kunskap om arbetet som du ska utföra. Innan du använder den här produkten ska du bekanta dig med alla funktioner och säkerhetsanvisningar.

BATTERIMÄTARE

Batterimätaren mäter hur mycket laddning som finns kvar i batteriet.

GRÄSLÅDA

Gräslådan samlar upp gräsklippen och förhindrar att det sprids ut på gräsmattan när du klipper gräset.

HÖJDJUSTERINGSSPAK

Spaken för höjjustering används för att justera klipphöjden.

MOTORKONTROLLKABEL

Motorkontrollkabeln, som sitter på det övre handtaget på klipparen, används för att koppla in och ur motorn och kniven.

TÄNDNYCKEL

Tändnyckeln måste sättas i innan gräsklipparen kan startas.

KOMPOSTERINGSPLUGG

Din klippare är utrustad med en så kallad komposteringsplugg som täcker det bakre utkastet; detta gör att klipparkniven kan klippa gräset flera gånger för ett finare gräsklipp.

SIDOUTKASTDEFLEKTOR

Använd sidoutkastdeflektorn på klipparen när gräset är för högt för att fördela för kompostering eller när du föredrar att använda sidoutkastet. Den volym av gräsklipp som produceras när du använder sidoutkastdeflektorn är betydligt större än den som produceras när du använder komposteringspluggen och sidopattan för kompostering.

Svenska (Översättning från originalinstruktioner)

SIDOUTKASTETS LUCKA

Din klippare är utrustad med en lucka som täcker över sidoutkastet; detta gör att klipparkniven kan klippa gräset era gånger till näre gräsklipp om den så kallade komposteringspluggen är aktiverad; annars skickas gräsklipppet till uppsamlarpåsen.

MONTERING

UPPACKNING

Den här produkten kräver montering.

- Ta försiktigt ur produkten och tillbehören ur kartongen. Kontrollera att alla föremål som står med på packsedeln finns med.

⚠ VARNING

Använd inte maskinen om någon del på packsedeln redan är monterad på maskinen när du plockar upp den ur förpackningen. Delarna på denna lista monteras inte av fabriken och kräver användarmontering. Om du använder en produkt som kan ha monterats felaktigt kan det resultera i allvariga personskador.

- Undersök produkten noggrant och se till att inga skador har uppstått under frakten.
- Kasta inte bort förpackningsmaterialet förrän du har kontrollerat och provat produkten.
- Ring Greenworks tools servicecenter för hjälp om några delar är skadade eller saknas.

PACKLISTA

- Gräsklippare
- Batterinyckel
- Gräslåda
- Komposteringsplugg
- Sidoutkastdeflektor
- Användarhandbok
- Vred
- Boltar

⚠ VARNING

Om några delar är skadade eller saknas, använd inte denna produkt innan delarna har bytts ut. Användning av en produkt med skadade eller saknade delar kan leda till allvariga personskador.

⚠ VARNING

Försök inte att modifiera denna produkt eller skapa tillbehör till den som inte är rekommenderade för denna produkt. Sådana modifieringar anses som felanvändning och det kan resultera i en farlig situation som kan leda till allvarig personskada.

⚠ VARNING

Sätt inte batterinyckeln förrän hopsättningen är klar och du är klar att använda gräsklipparen. Underlåtenhet att följa anvisningarna kan resultera i startproblem och allvarig personskada.

⚠ VARNING

Ta alltid bort batteripaketet från produkten då du monterar delar; detta minskar risken för oavsiktliga starter som kan leda till allvariga personskador.

⚠ VARNING

Använd aldrig gräsklipparen förrän lämpliga säkerhetsanordningar har installerats och är i fungerande skick. Använd aldrig gräsklipparen med skadade säkerhetsanordningar. Användning av denna produkt med skadade eller saknade delar kan resultera i allvarig personskada.

UPPVIK OCH INSTÄLLNING AV NEDRE HANDTAG

Se bild 2.

- Dra och rotera handtagsvreden 90° på båda sidorna för att lossa de nedre handtagen på sidorna.
- Placera de nedre handtagen i användningsläge. Du kan höja eller sänka handtaget till ett läge som passar dig. Det finns tre lägen att välja på. Lossa handtagsvreden för att låsa nedre handtagen i läge.

OBS! Se till att båda sidorna är i samma läge för att monteringen ska bli korrekt.

INSTALLERA ÖVRE HANDTAGET

Se bild 3.

- Råta in monteringshålen på övre handtaget med hålen på nedre handtaget. Sätt i vagnmuttrarna och dra åt dem med vreden. Upprepa på andra sidan.

INSTALLERA GRÄSLÅDAN

Se bild 4.

- Lyft upp den bakre utkastningsdörren.
- Lyft gräsuppsamlaren i handtaget och placera den under bakre utkastluckan så att krokarna på

Svenska (Översättning från originalinstruktioner)

gräsuppsamlaren vilar på luckans stav.

- Lossa den bakre utkastluckan. När den installerats korrekt sträcker sig gräsuppsamlarens krok genom hålen på bakre utkastluckan.

INSTALLERA KOMPOSTERINGSPLUGGEN

Se bild 5.

- Lyft upp och håll fast den bakre utkastluckan.
- Greppa komposteringspluggen i handtaget och stoppa in den genom att vinkla den något enligt anvisningarna på bilden.
- Tryck in komposteringspluggen ordentligt.
- Sänk ner den bakre utkastluckan.

INSTALLERA SIDOUTKASTDEFLEKTORN

Se bild 6.

ANMÄRKNING: Installera inte gräslådan när du använder sidoutkastdeflektorn. Komposteringspluggen ska sitta kvar på sin plats.

- Lyft upp sidoutkastets lucka.
- Passa ihop hakarna på de ektorn med gångjärnsstaget på undersidan av luckan.
- Sänk de ektorn tills hakarna fastnar på gångjärnsstaget på komposteringsluckan.
- Lossa de ektorn och sidoutkastets lucka.

STÄLL IN BLADHÖJD

Se bild 7.

Vid leverans är hjulen på gräsklipparen inställda i en låg klippningsposition. Justera klippningspositionen till en som bäst passar din gräsmatta innan första användningen. Gräset på en normal gräsmatta bör vara cirka 38-51 mm högt under de kalla månaderna och mellan 51-70 mm under de heta månaderna.

För att justera knivhöjden

- Greppa höjdjusteringsspaken och flytta den mot bakre delen av gräsklipparen för att höja bladhöjden.
- Greppa höjdjusteringsspaken och flytta den mot den främre delen av gräsklipparen för att sänka bladhöjden.

ANVÄNDNING

⚠ VARNING

Fortsätt att vara på din vakt även när du blivit van vid din apparat. Glöm inte att om du är ouppmärksam bara bräkdelen av en sekund kan du skada dig allvarligt.

⚠ VARNING

Bär alltid ögonskydd. Underlåtenhet att följa denna föreskrift kan leda till att främmande partiklar slungas mot ögonen och framkallar allvarliga ögonskador.

⚠ VARNING

Använd inga andra delar eller tillbehör än sådana som rekommenderas av tillverkaren för detta verktyg. Användning av icke rekommenderade delar eller tillbehör kan medföra risker för allvarliga skador.

⚠ VARNING

Besiktiga alltid gräsklipparen innan användning för att kontrollera om det fattas delar eller om några delar är skadade eller utslitna. Användning av en produkt med skadade eller saknade delar kan leda till allvarliga personskador.

- Luta inte gräsklipparen när du startar motorn eller slår på motorn, om inte gräsklipparen måste lutas för att starta. I detta fall bör du inte luta den mer än vad som är absolut nödvändigt och lyfta endast den del som är vänd bort från användaren.
 - Starta inte motorn när du står framför utkastluckan.
 - Placera inte händerna eller fötterna nära eller under roterande delar. Håll dig alltid borta från utkastet.
- Se bruksanvisningen till batteripaketet och batteriladdarna nedan för fullständiga laddningsinstruktioner.

SÅ HÄR INSTALLERAR DU BATTERIPAKETET

Se bil 8.

- Lyft upp och håll fast batteriluckan.
- Råta in batteriet med gräsklipparens batterilucka.
- Se till att batteriets lås knapp "snäpper" på plats och att batteriet sitter säkert fast i gräsklipparen innan du börjar använda den.
- Sätt i batterinyckeln.
- Om inte gräsklipparen ska användas omedelbart, sätt inte i batterinyckeln.
- Stäng luckan.

SÅ HÄR TAR DU BORT BATTERIPAKETET

Se bil 8.

- Släpp strömspaken för att stanna produkten.
- Öppna batteriluckan för att komma åt batteriutrymmet.
- Ta ur batterinyckeln.
- Tryck på lås knappen på gräsklipparen. Det gör att batteriet skjuts ut något från maskinen.
- Remove battery pack from the product.

STARTA/STANNA GRÄSKLIPPAREN

Se bil 9.

- Tryck ned och håll säkerhetsavstängningsknappen nedtryckt.
- Dra handtaget till kopplingsboxen uppåt mot handtaget

Svenska (Översättning från originalinstruktioner)

för att starta gräsklipparen och släpp knappen.

- Stoppa klipparen genom att släppa reglagespärren.

OBS! Ett ljud med hög tom och gnistbildning kan synas när den elektriska motorn bromsas in. Det är helt normalt.

SJÄLVDRIVEN GRÄSKLIPPARE

Se bil 9

Aktivera självdriftsfunktionen:

- Öppna batteriluckan.
- Sätt i batteriet.
- Sätt i batterinyckeln.
- Dra reglaget för självdrift uppåt tills det når handtaget.

Avaktivera självdriftsfunktionen:

- Släpp reglaget för självdrift.

Ställa in hastighet för självdrift:

- Dra hastighetsreglaget mot kaninen för att öka hastigheten.
- Dra hastighetsreglaget mot sköldpaddan för att sänka hastigheten.

GRÄSKLIPNINGSTIPS

- Se till att gräsmattan är fri från stenar, pinnar, strängar och andra föremål som skulle kunna skada gräsklipparens kniv eller motorn. Kör inte klipparen över tomtgränspinnar eller metallstolpar. Sådana föremål kan oavsiktligt kastas iväg av gräsklipparen i vilken riktning som helst och orsaka allvarlig personskada på användaren eller andra.
- Klipp alltid maximalt en tredjedel av grässets totala längd eller mindre för en frisk och fräsch gräsmatta.
- Klipp inte blött gräs, det kommer att fastna på undersidan av gräsklipparen och förhindra ordentlig uppsamling eller utkastning av gräset.
- Nytt eller tjockt gräs kan kräva att man klipper en smalare rand åt gången eller använder en högre klipphöjd.
- Rengör undersidan av gräsklipparen efter varje användning för att ta bort gräsrester, löv, smuts och annat ansamlat skräp.
- Minska gånghastigheten vid klippning av långt gräs för att öka klippningsprestandan och för att få ordentligt utkast av gräset.

OBS! Stanna alltid gräsklipparen och låt bladen sluta rotera helt och ta sedan ur batterinyckeln innan gräsklipparen rengörs på undersidan.

SLUTTINGSANVÄNDNING

⚠ VARNING

Slutningar är en stor bidragande orsak vid halkolyckor och kan resultera i allvarlig skada. Användning i slutningar kräver extra försiktighet. Klipp inte en sluttning om du känner dig osäker. För din säkerhets skull, försök inte att klippa sluttningar med en vinkel överstigande 15 grader.

⚠ VARNING

Håll låg hastighet på självgåendet i uppförslutning.

- Klipp längst med slutningar, aldrig uppåt eller nedåt. Var extremt försiktig när du byter riktning i en sluttning.
- Var uppmärksam på hål, hjulspår, dolda föremål och ojämnheter som kan få dig att halka eller ramla. Högt gräs kan dölja hinder. Ta bort alla föremål, såsom stenar, trädgrenar, etc. som du kan snubbla på eller som kan kastas iväg av bladet.
- Var försiktig med balansen när du klipper. En halkolycka kan orsaka allvarlig skada. Om du känner att du håller på att förlora balansen släpper du strömspaken omedelbart.
- Klipp inte i närheten av stup, diken eller vallar. Du kan tappa fotfästet eller balansen.

TÖMNING AV GRÄSLÅDAN

Se bild 10.

- Stanna gräsklipparen, låt bladen sluta rotera helt och ta sedan ur batterinyckeln. låt knivarna stanna helt och ta sedan bort tändningsnyckeln.
- Lyft upp den bakre luckan.
- Lyft upp gräslådan i handtagen för att ta bort den från klipparen.
- Töm ut gräsresterna.
- Lyft upp den bakre luckan och sätt tillbaka gräslådan enligt beskrivningarna tidigare i denna användarhandbok.

UNDERHÅLL

⚠ VARNING

Innan du påbörjar underhåll, kontrollera att batterinyckeln har tagits ur för att undvika oavsiktlig start av maskinen och därmed allvarliga personsador.

Svenska (Översättning från originalinstruktioner)

⚠ VARNING

För att undvika oavsiktlig start eller ej tillåten användning är gräsklipparen försedd med en urtagbar säkerhetsnyckel. För att helt inaktivera gräsklipparen ska säkerhetsnyckeln tas ur gräsklipparen och förvaras på en säker plats och utom räckhåll för barn.

⚠ VARNING

Vid service ska endast auktoriserade reservdelar användas. Användning av andra delar kan skapa en fara eller orsaka produktskada.

⚠ VARNING

Håll motorn och batterifacken fria från gräs, löv och allför mycket fett. Detta hjälper till att minska risken för brand.

GENERELLT UNDERHÅLL

Innan varje användning måste du besiktiga hela produkten för att kontrollera om det finns skador, om det saknas delar eller om delar sitter löst - som t.ex. skruvar, muttrar, bultar, lock och så vidare.

Dra åt alla fästansordningar och lock ordentligt och använd inte denna produkt förrän alla delar som saknas eller som är skadade har ersatts. Kontakta Greenworks tools kundservice för hjälp. Undvik att använda lösningsmedel vid rengöring av plastdelar. De flesta plasterna är mottagliga för skador från olika varianter av kommersiella lösningsmedel och kan skadas om sådana används. Använd en ren och torr trasa för att avlägsna smuts, damm, olja, fett, osv.

⚠ VARNING

För att minska risken för skador och fara, får du aldrig rengöra redskapet med högtryckstvätt eller under rinnande vatten.

⚠ VARNING

Får enbart förvaras inomhus. Ta alltid bort batteriet ur gräsklipparen och laddaren vid rengöring eller förvaring av redskapet.

⚠ VARNING

Låt aldrig bromsvätska, bensin, bensinbaserade produkter, penetrerande oljor, etc., komma i kontakt med plastdelarna. Kemikalier kan skada, försvaga eller förstöra plastdelarna och det kan leda till allvariga personskador.

Kontrollera regelbundet alla muttrar och bultar så att de är ordentligt åtdragna för att säkerställa säker användning av gräsklipparen.

Torka rent gräsklipparen med en torr trasa då och då. Använd inte vatten.

SMÖRJNING

Alla lager i denna produkt är smörjda med en tillräcklig mängd högkvalitativt smörjmedel för att räcka hela dess livstid under normala användningsförhållanden. Därför krävs ingen extra lagersmörjning.

⚠ VARNING

Skydda alltid händerna genom att använda kraftiga handskar och/eller genom att linda in de vassa delarna av bladet med en trasa och andra material vid bladunderhåll. Om du kommer i kontakt med kniven när den är i rörelse kan du bli allvarigt skadad.

⚠ VARNING

Smörj inte några av hjuldelarna. Smörjningen kan få hjulkomponenterna att falla under användningen vilket kan leda till allvarliga personskador på användaren och eller materiella skador på klipparen eller andra föremål.

BYTA UT KLIPPNINGSBLADET

Se bild 11-12.

ANMÄRKNING: Använd endast auktoriserade utbytesknivar. Byt ut utslitna eller skadade knivar och bultar i par för att bibehålla balansen.

- Stanna motorn och plocka ur tändningsnyckeln. Låt kniven stanna helt.
- Ta bort batteripacket.
- Lägg gräsklipparen på dess sida.
- Tryck in en träbit mellan bladet och gräsklippardäcket för att förhindra att bladen rör sig.
- Lossa bladmuttern genom att dra den moturs (sett från undersidan på klipparen) med en 27 mm nyckel (medföljer inte).
- Ta bort bladmuttern och bladet.
- Sätt på det nya bladet på skafet. Se till att bladet sitter säkert med skafet genom skafets centrumhål och de två bladstaverna på fläkten i sina respektive hål på bladet. Kontrollera att det installeras med de böjda ändarna pekande uppåt mot gräsklipparen och inte nedåt mot marken. När det är ordentligt på plats ska bladet ligga platt an mot fläkten.

Svenska (Översättning från originalinstruktioner)

- Sätt fast bladmuttern på skafet och dra åt för hand.
- Dra åt knivmuttern genom att vrida den medsols med hjälp av en skiftnyckel (medföljer ej) för att försäkra dig om att mutter sitter fast ordentligt. Det rekommenderade vridmomentet för knivmuttern är 62,5-71,5 kgf cm.

MILJÖSKYDD

- Miljöskyddet ska vara en betydande aspekt och prioritet vid användningen av maskinen, till fördel för den civila samlevnaden och miljön i vilken vi lever. Undvik att störa grannskapet.
- Följ lokala bestämmelser noggrant för bortskaffande av olja, bensen, batterier, filter, trasiga delar och andra enheter som kan förstöra miljön. Dessa avfall får inte kastas i soporna utan skall separeras och överlämnas till insamlingscentraler som återvinner materialen.
- Följ noggrant lokala bestämmelser för bortskaffande av material som finns kvar efter klippningen.
- När maskinen tas ur drift, lämna inte maskinen i miljön, utan kontakta en insamlingscentral enligt gällande lokala förordningar.

Svenska (Översättning från originalinstruktioner)


FELSÖKNING

Problem	Möjlig orsak	Lösning
Handtaget är inte i position.	Höjdjusteringsbultarna sitter inte fast ordentligt.	Justera handtagshöjden och försäkra dig om att höjdjusteringsbultarna är ordentligt åtdragna.
Klipparen startar inte.	Batteriets laddningsnivå är låg.	Ladda batteriet.
	Batteriet är antingen inoperabelt eller kan inte ta emot någon laddning.	Byt ut batteriet.
	Batterinyckeln är inte isatt.	Sätt i batterinyckeln.
Klipparen klipper gräset ojämnt.	Gräsmattan är vildvuxen eller ojämn eller klipphöjden är inte korrekt inställd.	Flyttar hjulen till en högre position. Alla fyra hjul måste befina sig på samma klipphöjd för att gräsklipparen ska klippa jämnt.
Klipparen felfördelar inte klippet ordentligt.	Vätt gräsklipp har fastnat på undersidan av klippaggregatet.	Vänta tills gräset har torkat innan du klipper.
Klipparen är trög att skjuta på.	Högt gräs, bakre delen av gräsklipparhuset och bladet dras i högt gräs, eller klippningshöjden är för låg.	Höj klipphöjden.
Klipparen samlar inte upp ordentligt.	Klipphöjden är för låg.	Höj klipphöjden.
Gräsklipparen vibrerar vid högre hastigheter.	Kniven är obalanserad eller mycket eller ojämnt sliten.	Byt ut kniven.
	Motoraxeln är krökt.	Stanna motorn, ta ur tändningsnyckeln och batteriet, koppla bort strömkällan och besiktiga enheten för att upptäcka skador. Låt den repareras av ett auktoriserat servicecenter innan du startar den igen.
Motorn stannar medan du klipper.	Klipphöjden är för låg.	Höj klipphöjden.
	Batteriet är helt urladdat.	Ladda batteriet.

Kontakta din auktoriserade serviceagent om dessa lösningar inte åtgärdar problemet.

Norsk (Oversettelse av original bruksanvisning)

TEKNISKE EGENSKAPER

Gressklipper	2502907
Fresebredde	46 cm
Klippehøyde	25 mm - 80 mm
Tomgangshastighet	2800 rpm
Selvdrevet hastighet	0.5-1.5 m/s
lydtryknivå	LpA :73 dB(A), K:3.0
Målt lydeffektnivå	LwA :85.5 dB(A)
Vibrasjonsnivå	<2.5 m/s ² , K=1.5
Gressbokskapasitet	52 L
Nettovekt	28 kg
Reservekniv	2920407
Batteri	Lithium-ion
Modellnummer	2918307 / 2918407
Batterilader	
Modellnummer	2918507
Dobbeltisolert konstruksjon	

BESKRIVELSE

1. Driftsbøylen
2. Motor kontrollkabel
3. Startknapp
4. Øvre håndtak
5. Nedre håndtak
6. Høydeinnstiller
7. Batteridør
8. Forhjul
9. Bakhjul
10. Gressboks
11. Batteri
12. Håndtakknott
13. Knott
14. Bolt
15. Gressbokshåndtak
16. Bakdør
17. Bakre utkaståpning
18. Dørstang

19. Kroker
20. Blad
21. Motoraksel
22. Vifte
23. Knivbolt
24. Knivstøtter
25. Utløserknapp for batteri
26. Bakhjulsskjerm
27. Bakaksel
28. Mull-plugg
29. Blokk av tre (ikke inkludert)
30. Skrunøkkel (ikke inkludert)
31. Batterinøkkel
32. Spak for selvgåing
33. Hastighetskontroll for selvgåing

ADVARSEL

Bruk av noe annet batteri kan føre til risiko for brann, elektrisk støt eller personskade.

KJENN DIN GRESSKLIPPER

Se *figure 1*.

Trygg bruk av dette produktet krever forståelse av informasjonen om produktet og dets brukermanual og kunnskap om den jobben som skal utføres. Før du tar i bruk gressklipperen må du gjøre deg kjent med alle bruksfunksjoner og sikkerhetsregler.

BATTERIMÅLER

Batterimåleren viser batteriets gjenværende effekt.

GRESSBOKS

Gressboksen samler opp avklippet gress og hindrer at det spres ut over plenen etter hvert som du klipper.

HØYDEINNSTILLER

Høydejusteringsspaken sørger for justering av klippehøyden.

MOTOR KONTROLLKABEL

Motorens kontrollkabel, som bef inner seg på det øvre håndtaket til gressklipperen, kobler motoren og kniven inn og ut.

BRYTERNØKKEL

Bryternøkkel må settes inn før gressklipperen kan startes.

Norsk (Oversettelse av original bruksanvisning)

MULL-PLUGG

Din gressklipper er utstyrt med en mull-plugg som dekker den bakre utkaståpningen, som gjør det mulig for kniven å klippe gresset to ganger og dermed oppnå en finere oppdeling.

AVVISER FOR SIDEUTKAST

Bruk sideutkastavviseren på klipperen når gresset er for høyt til å bli formullet eller når sideutkast foretrekkes. Avklippet gress ved bruk av sideutkast er påtagelig større en gress som klippes med mull-pluggen og sidemullplaten.

DØR FOR SIDEUTKAST

Din gressklipper er utstyrt med en dør som dekker sideutkaståpningen, som gjør det mulig for kniven å klippe og re-klippe gresset for en nere oppdeling dersom mullpluggen er satt inn, i motsatt fall vil gresset sendes til oppsamlingsposen.

MONTERING

OPPAKKING

Dette produktet krever montering.

- Ta forsiktig produktet og eventuelt annet utstyr til av esken. Påse at alt som er ført opp på pakklisten befinner seg i esken.

⚠ ADVARSEL

Ikke bruk produktet dersom noen del på Pakklisten allerede er montert når du pakker opp produktet. Deler på denne listen er ikke montert på produktet ved fabrikk og krever montering av kunden. Bruk av et produkt som ikke er korrekt montert kan føre til alvorlig personskade.

- Inspiser innholdet grundig og påse at det ikke har oppstått skader under transporten.
- Ikke kast emballasjen før det er foretatt en grundig inspeksjon og gjennomført en tilfredsstillende prøve av produktet.
- Hvis noen del er skadet eller mangler, vennligst kontakt Greenworks tools Kundeservice for hjelp.

PAKKELISTE

- Gressklipper
- Batterinøkkel
- Gressboks
- Mull-plugg
- Avviser for sideutkast
- Brukermanual
- Knotter

- Bolter

⚠ ADVARSEL

Om noen deler er skadet eller mangler ikke bruk dette produktet før det er reparert eller erstattet. Bruk av dette produktet med skadede eller manglende deler kan føre til alvorlig personskade.

⚠ ADVARSEL

Ikke forsøk å modifisere dette produktet eller Alle slike forandringer eller modif ikasjoner er feil. Hvilken som helst forandring eller modif ikasjon eller feilaktig bruk kan resultere i farlige forhold som leder til mulig alvorlig personskade.

⚠ ADVARSEL

Ikke sett inn batterinøkkelen før monteringen er fullført og du er klar til å klippe. Unnlattelse av å gjøre dette kan resultere i utilsiktet start og mulig alvorlig personskade.

⚠ ADVARSEL

Fjern batteripakken fra klipperen når du skal montere deler for å unngå utilsiktet start med tilhørende alvorlig personskade.

⚠ ADVARSEL

Bruk aldri gressklipperen uten korrekt sikkerhetsutstyr i orden og på plass. Bruk aldri klipperen dersom sikkerhetsenheter er defekte. Dersom produktet brukes med defekte eller manglende deler kan det føre til alvorlige personskader.

UTFELLING OG JUSTERING AV NEDRE HÅNDTAK

Se *figure 2*.

- Trekk og roter håndtakknottene 90° på begge sider for å løse det nedre håndtaket på begge sider.
- Flytt det nedre håndtaket til driftsposisjonen. Du kan senke eller heve håndtaket til en posisjon som er komfortabel for deg. Du kan velge mellom tre (3) posisjoner. Frigjør håndtakknottene for å låse det nedre håndtaket i posisjon.

MERK: Påse at begge sidene er satt til samme posisjon for korrekt sammensetting.

MONTERING AV ØVRE HÅNDTAK

Se *figure 3*.

- Tilpass monteringshullene på det øvre håndtaket til

Norsk (Oversettelse av original bruksanvisning)

hullene på det nedre håndtaket. Sett inn låseboltene og bruk knottene for å stramme dem. Gjenta operasjonen på den andre siden.

INSTALLERING AV GRESSBOKSEN

Se *figure 4*.

- Løft opp bakre tømmedeksel.
- Løft gressoppsamlere i håndtaket og plasser den under bakre utkastdør slik at krokene på gressoppsamlere hviler på dørstangen.
- Frigjør den bakre utkastdøren. Når gressoppsamlere er korrekt montert vil krokene på oppsamleren gå gjennom åpningen på den bakre utkastdøren.

INSTALLERING AV MULL-PLUGGEN

Se *figur 5*.

- Løft og hold åpen den bakre utkastdøren.
- Ta tak i mull-pluggens håndtak og sett den inn med en svak vinkel som vist.
- Skyv mull-pluggen forsvarlig på plass.
- Senk den bakre utkastdøren.

INSTALLER SIDEUTKASTAVVISEREN

Se *figur 6*.

MERK: Når du bruker sideutkastavviseren skal ikke gressboksen monteres. Mull-pluggen må forbli installert.

- Løft døren for sideutkastet.
- Tilpass krokene på avviseren med hengselakslen på undersiden av døren.
- Senk avviseren inntil krokene er festet på hengselstangen til mull-døren.
- Løs ut avviseren og døren for sideutkast.

STILLE BLADHØYDEN

Se *figure 7*.

Ved forsendelse blir hjulene på gressklipperen stilt på en lav klippehøyde. Før du tar i bruk gressklipperen for første dag, bør du justere kutte høyden slik at den passer dine behov. En gjennomsnittlig plen skal være mellom 38 mm og 51 mm i kjølige måneder og mellom 51 mm og 70 mm i varme måneder.

For å justere knivhøyden

- For å øke blad høyden, ta justeringsspaken og flytt den mot gressklipperens bakdel.
- For å senke blad høyden, ta justeringsspaken og flytt den mot gressklipperens front.

BETJENING

ADVARSEL

Vær alltid like forsiktig, selv når du er blitt kjent med apparatet. Husk at uforsiktighet i en brøkdel av et sekund er nok til at du kan skade deg selv alvorlig.

ADVARSEL

Bruk alltid øyebeskyttelse. Hvis denne forskriften ikke overholdes, kan det forårsake utslynging av fremmedlegemer i øynene dine og alvorlige øyenskader.

ADVARSEL

Bruk ikke andre deler eller tilbehør enn de som anbefales av fabrikanten til dette apparatet. Bruken av deler eller tilbehør som ikke anbefales kan medføre fare for alvorlige personskader.

ADVARSEL

Inspiser alltid gressklipperen for skadede eller manglende deler og skader eller ujevn eller overdreven slitasje på kniven før bruk. Bruk av dette produktet med skadede eller manglende deler kan føre til alvorlig personskade.

- Ikke vipp gressklipperen når du starter motoren eller slår motoren på dersom ikke gressklipperen må vippes for å kunne starte. I dette tilfellet må gressklipperen ikke vippes mer enn høyst nødvendig og det er kun deler som vender vekk fra brukeren som kan vippes opp.
- Ikke start motore n dersom du står foran utladingsåpningen.
- Ikke plasser hender eller føtter under roterende deler. Hold deg alltid vekke fra utkaståpningen.

For fullstendige ladeinstruksjoner, se brukermanualen for batteripakken og ladere ført opp i spesi fi ksjonsseksjonen.

FOR Å INSTALLERE BATTERIPAKKEN

Se *figure 8*.

- Løft opp og hold åpent batteridekslet.
- Tilpass batteriet til gressklipperens batteriport.
- Påse at låsehakene på begge sider av batteripakken er i inngrep og at batteripakken er sikret i laderen før bruken påbegynnes.
- Sett inn batterinøkkel.
- Hvis maskinen ikke skal brukes umiddelbart må ikke batterinøkkelens settes inn
- Steng døren.

Norsk (Oversettelse av original bruksanvisning)

FOR Å FJERNE BATTERIPAKKEN

Se *figure 8*.

- Frigjør driftsbøylen for å stanse gressklipperen.
- Åpne batteridøren for å få tilgang til batterirommet.
- Fjern batterinøkkelen.
- Trykk inn batteriets utløserknapp på gressklipperen. Det vil føre til at batteriet stikker litt utenfor verktøyet
- Fjern batteripakken fra produktet.

STARTE/STANSE KLIPPEREN

Se *figure 9*.

- Trykk og hold sikkerhetslåseknappen.
- Trekk effektspaken oppover mot håndtaket for å starte gressklipperen og frigjør sikkerhetslåseknappen.
- For å stoppe gressklipperen slippes bryterens kontrollspak.

MERK : En høy, skingrende lyd og gnister kan merkes når den elektriske motoren bremses ned. Dette er normalt.

SELVGÅENDE GRESSKLIPPER

Se *figure 9*.

For å koble inn selvgåingsfunksjonen

- Åpne batteridøren.
- Sett inn batteriet.
- Sett inn batterinøkkelen.
- Trekk selvgåingsspaken oppover til den treffer håndtaket.

For å koble fra selvgåingsfunksjonen

- Frigjør selvgåingsspaken.

For å justere hastigheten på selvgåingsfunksjonen:

- Trekk spaken for variabel hastighetskontroll mot kaninsymbolet for å øke hastigheten.
- Skyv spaken for variabel hastighetskontroll mot skilpaddesymbolet for å senke hastigheten.

GRESSKLIPPINGSRÅD

- Påse at gressklipperen ikke kommer i kontakt med steiner, pinner, ståltråd eller andre gjenstander som kan skade gressklipperens kniver eller motor. Ikke kjør gressklipperen over eiendomsmarkeringer eller metallstolper. Slike gjenstander kan bli slengt opp fra klipperen i enhver retning og forårsake alvorlige personskader på både operatør og tilskuere.
- For å sikre god helse i plenen bør alltid 1/3-del eller mindre av gressets totale lengde klippes.
- Ikke klipp vått gress, det vil feste seg til undersiden av lokket og hindre at gresset samles opp i bagen eller

sprutes ut riktig.

- Nytt eller tykt gress kan kreve større klippehøyde.
- Undersiden på gressklipperen skal rengjøres etter hvert bruk for å fjerne gresskutt, blader, smuss og annet som har samlet seg.
- Når du kutter høyt gress, senk hastigheten på gange for å få en mer effektiv klipping og riktig utslipp av klippet gress.

MERK: Stopp alltid gressklipperen, la knivene stoppe helt og fjern batterinøkkelen før det foretas rengjøring under gressklipperen.

BRUK PÅ SKRÅNING

⚠ ADVARSEL

I skråninger er hovedproblemet at man lett kan miste fotfeste der fallulykker kan føre til alvorlige personskader. Ved bruk i skråninger må man være spesielt oppmerksom. Dersom du føler deg utrygg i en skråning, bør du ikke gjøre gressklippingen der. For din egen sikkerhet, ikke prøv å klippe gress på skråninger med en helling større enn 15 grader.

⚠ ADVARSEL

Hold den selvgående klipperen på lav hastighet når du begynner på en skråning.

- Klipp gresset på tvers av skråninger, aldri opp og ned. Vær meget forsiktig når du skifter retning i en skråning.
- Se opp for hull, hjulspor, humper, steiner og andre skjulte gjenstander som kan føre til snubling og fall. Fjern alle gjenstander som steiner, trær, grener osv. som du kan snuble i eller som bladene kan slenge opp i luften.
- Sørg alltid for godt fotfeste. Fallulykker kan føre til alvorlige personskader. Slipp driftsbøylen umiddelbart dersom du føler at du er i ferd med å tape balansen.

TØMMING AV GRESSBOKSEN

Se *figure 10*.

- Stopp gressklipperen, la kniven stoppe helt og fjern batterinøkkelen.
- Løft bakkdøren.
- Løft gressboksen i håndtakene for å fjerne den fra gressklipperen.
- Tøm ut oppsamlet gress.
- Løft opp bakkdøren og sett gressboksen tilbake på plass som beskrevet tidligere i denne manualen.

Norsk (Oversettelse av original bruksanvisning)

VEDLIKEHOLD

⚠ ADVARSEL

Før det foretas noen form for vedlikehold må det påses at batteriet og batterinøkkelen er fjernet for å unngå utilsikket start og mulig alvorlig personskade.

⚠ ADVARSEL

For å hindre utilsikket start og uautorisert bruk er den batteridrevne gressklipperen utstyrt med en sikkerhetsnøkkel som kan fjernes. For å deaktivere gressklipperen fullstendig må sikkerhetsnøkkelen fjernes og oppbevares vekke fra gressklipperen og utenfor barns rekkevidde.

⚠ ADVARSEL

Bruk kun originale reservedeler tilsvarende dem som skiftes ved service- og vedlikeholdsarbeider. Bruk av deler som ikke er originale kan føre til personskade eller feil på produktet.

⚠ ADVARSEL

Hold motor og batterirom rent for gress, blader og overdrevne mengder fett. Det vil bidra til å redusere faren for brann.

GENERELT VEDLIKEHOLD

Før hver gangs bruk, inspiser hele saken for skader, manglende eller skadede deler er skiftet. Kontakt Greenworks tools kundeservice for hjelp. Unngå bruk av løsemidlenår du rengjør plastdelene. De fleste plastikkstoffene vil bli skadet dersom forskjellige tilgjengelige løsemiddel brukes på gressklipperen. Bruk rene kluter til å fjerne skitt, støv, olje og fett, etc.

⚠ ADVARSEL

For å redusere risikoen for skader og farer, skal verktøyet aldri vaskes med høytrykksspyler, eller under rennende vann.

⚠ ADVARSEL

Skal bare lagres innendørs. Batteriet skal alltid tas ut av klipperen og laderen ved rengjøring eller lagring av verktøyet.

⚠ ADVARSEL

Ikke på noe tidspunkt må du la bremsevæske, bensin, petroleumbaserte produkter, rustoppløsende oljer og lignende komme i kontakt med plastdelene. Kjemikalierne kan skade, svekke eller ødelegge plast, som i sin tur kan føre til alvorlig personskade.

Kontroller all mutter, bolter og skruer med jevne mellomrom at de er skrudd fast for å sikre at klipperen er i driftssikker stand.

Tørk over klipperen av og til med en tør klut. Ikke bruk vann.

SMØRING

Alle lager i dette produktet er smurt med tilstrekkelig mengde fi nere smøring for å holde livslengden ved normalt bruk. Derfor er det ikke behov for ytterligere smøring av lager.

⚠ ADVARSEL

Beskytt alltid hendene ved å bruke arbeidshansker og / eller rull fi ller rund kuttebladets kanter når vedlikehold utføres. Kontakt med kniven kan føre til alvorlig personskade.

⚠ ADVARSEL

Du må ikke smøre noen av hjuledelene. Smøring kan føre til at hjulkomponentene ikke virker under bruk, som kan resultere i alvorlig personskade på brukeren, på gressklipperen eller annen tingskade.

SKIFTE KUTTEBLADET

Se *figure 11-12*.

MERK: Bruk bare autoriserte erstatningskniver. Skift slitte og/eller skadede kniver og bolter i sett for å ivareta balansen.

- Stopp maskinen og fjern batteripakken. Sørg for at kniven har stoppet helt.
- Fjern batteripakken.
- Bikk gressklipperen over på siden.
- Klem et trestykke mellom bladet og gressklipperdekslet for å hindre at bladet snurrer rundt.

Norsk (Oversettelse av original bruksanvisning)

- Løsne knivbolten ved å dreie den mot venstre (sett fra bunnen av gressklipperen) med en 27 mm fastnøkkel eller pipenøkkel (medfølger ikke).
- Fjern knivbolten og kniven.
- Plasser den nye kniven på skaftet. Påse at kniven er korrekt festet ved at skaftet går gjennom knivens senterhull og de to bladstolpene på viften er satt inn i sine respektive hull på bladet. Påse at den er installert slik at de buede endene peker opp mot klipperdekslet og ikke ned mot bakken. Når den er korrekt plassert skal kniven være flatt mot viften.
- Skru inn knivbolten på håndtaket og stram til med fingrene.
- Trekk til mutteren mot venstre med momentnøkkel (medfølger ikke) for å sikre at bolten blir forsvarlig tilstrammet. Anbefalt tilstrammingsmoment for knivmutteren er 62,5~71,5 kgf cm (350-400 fotpund).

MILJØVERN

- Miljøvern må være førsteprioritet ved bruk av maskinen, til fordel for samholdet og miljøet der vi bor. Unngå å forstyrre nabolaget.
- Følg nøye de kommunale bestemmelsene for kasting av emballasje, oljer, bensin, filter, forringede deler eller deler som er sterkt forurensende. Dette avfallet må ikke kastes med husholdningsavfallet, men kildesorteres og kastes i konteinerne for resirkulering.
- Følg nøye de kommunale bestemmelsene for kasting av klippeavfallet.
- Når maskinen ikke skal brukes lenger, må den ikke kastes i naturen, men leveres inn til et innsamlingscenter i henhold til gjeldende kommunale bestemmelser.

Norsk (Oversettelse av original bruksanvisning)


FEILSØKING

Problem	Mulig årsak	Løsning
Håndtaket er ikke i posisjon.	Låseboltene er ikke korrekt festet.	Juster høyden på håndtaket og påse at låseboltene er korrekt plasserte.
Gressklipperen starter ikke.	Batteriet har lav ladestatus.	Lad batteriet.
	Batteriet er ikke anvendelig eller vil ikke ta lading.	Erstatt batteriet.
	Batterinøkkelen er ikke satt inn.	Sett inn batterinøkkelen.
Gressklipperen klipper gresset ujevnt.	Plenen er grov og ujevn eller klippehøyden er ikke korrekt innstilt.	Flytt hjulene til en høyere posisjon. Alle hjul må være innstilt på samme klippehøyde for at gressklipperen skal kunne klippe jevnt.
Gressklipperen mullklipper ikke korrekt.	Wet grass clippings are sticking to the underside of the deck.	Wait until the grass dries before mowing.
Gressklipperen er tung å skyve.	Vått gress har festet seg til undersiden av gressklipperdekslet.	Vent til gresset har tørket før du starter klipping.
Gressklipperen fyller ikke gressposen korrekt.	Klippehøyden er satt for lavt.	Hev klippehøyden.
Klipperen vibrerer ved høy hastighet.	Kniven er ubalansert, overdrevent eller ujevnt slitt.	Erstatt kniven.
	Motor shaft is bent.	Stopp motoren, fjern isolatornøkkelen og batteriet, trekk ut strømkontakten og undersøk for eventuelle skader. Lever hos et autorisert verksted for reparasjon før restart.
Motoren stopper mens den klipper.	Klippehøyden er satt for lavt.	Hev klippehøyden.
	Batteriet har ikke strøm.	Lad batteriet.

Dersom ikke disse løsningene løser problemet må et autorisert servicesenter kontaktes.

Dansk (Oversættelse fra original brugsanvisning)

TEKNISKE SPECIFIKATIONER

Plæneklipper	2502907
Fræsebredde	46 cm
Klippehøjde	25 mm - 80 mm
Tomgangshastighed	2800 rpm
Selvkørende hastighed	0.5-1.5 m/s
lydryksniveau	LpA :73 dB(A), K:3.0
Målt lydeffektniveau	LwA :85.5 dB(A)
Vibrationsniveau	<2.5 m/s ² , K=1.5
Græsbokskapacitet	52 L
Nettovægt	28 kg
Reserveklinge	2920407
Batteri	Lithium-ion
Modelnummer	2918307 / 2918407
Batterioplader	
Modelnummer	2918507
Dobbeltisoleret	

19. Kroge
20. Klinge
21. Motoraksel
22. Vifte
23. Blad bolt
24. Knivbjælker
25. Batteri frigivelsesknop
26. Bioklip-prop
27. Sideudkast-spredeplade
28. Sideudkastdør
29. Træblok (medfølger ikke)
30. Servicenøgle (medfølger ikke)
31. Batterinøgle
32. Greb til selvkørende funktion
33. Hastighedskontrol til selvkørende funktion

ADVARSEL

Brug af andre batterier kan medføre fare for brand, elektrisk stød eller personskader.

LÆR DIN PLÆNEKLIPPER AT KENDE

Se figur 1.

Sikker brug af produktet kræver forståelse af informationerne på værktøjet og i denne brugsanvisning samt kendskab til den forestående arbejdsopgave. Inden produktet tages i brug, skal man gøre sig fortløbig med alle produktets funktioner og sikkerhedsregler.

BATTERIMÅLER

Batterimåleren måler den resterende ladning i batteriet.

GRÆSBOKS

Græsboksen opsamlers det afklippede græs og forhindrer, at det kastes ud over hele plænen under klipningen.

HØJDEINDSTILLINGSSTANG

Med højdejusteringshåndtaget kan man indstille klippehøjden.

MOTORSTYREKABEL

Motorstyrekalet, der findes på plæneklipperens øverste håndtag, til- og frakobler motoren og kniven.

TÆNDINGSNØGLE

Nøglen skal sættes i før plæneklipperen kan startes.

BESKRIVELSE

1. Gashåndtag
2. Motorstyrekaabel
3. Startknop
4. Øverste håndtag
5. Sænk håndtag
65. Højdeindstillingsstang
7. Batteridør
8. Forhjul
9. Baghjul
10. Græsboks
11. Batteri
12. Håndtag greb
13. Greb
14. Bolt
15. Græsbokshåndtag
16. Bagdør
17. Bagudkast-åbning
18. Dørstang

Dansk (Oversættelse fra original brugsanvisning)

BIOKLIP-PROP

Plæneklipperen har en bioklip-prop, som afskærmer bagudkast-åbningen, hvilket gør det muligt for kniven at klippe og gen-klippe for f i nere afklip.

SIDEUDKAST-SPREDEPLADE

Brug sideudkast-spredepladen på plæneklipperen, når græsset er for højt til bioklip, eller når sideudkast fortrækkes. Mængden af afklippet græs, der produceres ved anvendelse af sideudkast-spredepladen, er betydeligt større end den, der produceres ved hjælp af bioklippropen og side-bioklippladen.

SIDEUDKASTDØR

Plæneklipperen har en dør, som afskærmer sideudkaståbningen, som gør det muligt for kniven at klippe og gen-klippe græsset for nere afklip, hvis bioklippropen anvendes, eller - i modsat fald - at sende det afklippede græs til opsamlingsboksen.

- Sideudkast-spredeplade
- Brugsanvisning
- Dupper
- Bolte

⚠ ADVARSEL

Hvis dele enten er beskadiget eller mangler, så anvend ikke produktet før disse dele er udskiftet. Brug af et produkt med beskadigede eller manglende dele kan medføre alvorlige personskader.

⚠ ADVARSEL

Forsøg ikke at modificere denne enhed eller at anvende tilbehør som ikke er beregnet til denne enhed. Sådanne ændringer eller modificeringer betegnes som værende misbrug og kan føre til farlige situationer og potentielt alvorlige personlige skader.

MONTERING

UDPAKNING

Dette produkt skal samles.

- Tag forsigtigt produktet og alt tilbehøret ud af boksen. Kontrollér, at alle delene på paklisten er indeholdt i leveringen.

⚠ ADVARSEL

Produktet må ikke tages i brug, hvis nogen af delene på paklisten allerede er monteret på produktet ved udpakningen. Delene på denne liste er ikke formonteret på produktet af producenten og skal monteres af kunden selv. Bug af et produkt, der evt. er samlet forkert, kan medføre alvorlig personskade.

- Inspicér produktet omhyggeligt for evt. brud eller skader opstået under transporten.
- Bortskaf ikke indpakningsmaterialet, før du har inspiceret produktet omhyggeligt og anvendt produktet med tilfredsstillende resultat.
- I tilfælde af beskadigede eller manglende dele kontaktes Greenworks tools-servicecenter for assistance.

PAKKELISTE

- Plæneklipper
- Batterinøgle
- Græsboks
- Bioklip-prop

⚠ ADVARSEL

Indsæt ikke batterinøglen før du er færdig med at samle enheden og du er klar til at slå græs. Manglende overholdelse kan medføre utilsigtet start og eventuel alvorlig personskade.

⚠ ADVARSEL

For at forhindre utilsigtet start, der kan medføre alvorlige personskader, skal man altid tage batteriet ud af produktet, mens der monteres dele.

⚠ ADVARSEL

Brug kun plæneklipperen, når alt sikkerhedsudstyr er monteret og funktionsdygtigt. Anvend aldrig græsslåmaskinen med beskadigede sikkerhedsdele. Anvendelse af denne enhed med beskadigede eller manglende dele kan føre til alvorlige personlige skader.

UNFOLDE OG INDSTILLE DET NEDERSTE HÅNDTAG

Se figur 2.

- Træk og drej håndtagets greb 90° på begge sider for at løsne de nederste håndtag på begge sider.
- Flyt de nederste håndtag til driftspositionen. Du kan hæve eller sænke håndtaget, til en position der er behagelig for dig. Du kan vælge mellem 3 positions. Løsn håndtagets greb for at låse det nederste håndtag fast i positionen.

Dansk (Oversættelse fra original brugsanvisning)

BEMÆRK: Sørg for at begge sider er i samme position for korrekt samling.

INSTALLERE DET ØVERSTE HÅNDTAG

Se figur 3.

- Indstil monteringshullerne på det øverste og nederste håndtag. Indsæt brædeboltene og brug grebene til at stramme dem. Gentag samme handling på den anden side.

ISÆTNING AF GRÆSBOKSEN

Se figur 4.

- Løft op i lugen bag på græsslåmaskinen.
- Løft græsopsamleren i håndtaget og placer den under den bagerste udledningsdør, så krogene på græsopsamlern griber ind i dørstangen.
- Frigiv den bagerste udledningsdør. Når den er monteret korrekt, vil krogene på græsopsamlern række frem gennem åbningerne på den bagerste udledningsdør.

ISÆTNING AF BIOKLIP-PROP

Se figur 5.

- Løft bagudkastdøren, og hold den oppe.
- Tag bioklip-proppen i håndtaget, og indsæt den let vinklet, som vist.
- Pres bioklip-proppen ind, så den sidder fast.
- Luk bagudkastdøren ned.

ISÆTNING AF SIDEUDKAST-SPREDEPLADEN

Se figur 6.

BEMÆRK: Når man bruger sideudkast-spredepladen, må man ikke montere græsboksen. Bioklip-proppen bør altid være monteret.

- Løft sideudkastdøren.
- Tilpas krogene på spredepladen i forhold til hængselsstangen på undersiden af døren.
- Sænk spredepladen, til krogene griber ind i bioklipdørens hængselsstang.
- Løsn spredepladen og sideudkastdøren.

INDSTIL HØJDEN PÅ SKÆREBLADET

Se figur 7.

Når græsslåmaskinen forsendes, så er hjulene indstillet til en lav skæreposition. Før græsslåmaskinen anvendes for første gang, så indstil skærepositionen til den højde der passer bedst til din græsplæne. Den gennemsnitlige plænegræshøjde bør være mellem 38 mm og 51 mm i kolde måneder og mellem 51 mm og 70 mm i varme måneder.

Sådan justeres knivhøjden

- For at hæve skærebladet, så tag fat i højdeindstillingsstangen og før det mod bagenden af græsslåmaskinen.
- For at sænke skærebladet, så tag fat i højdeindstillingsstangen og før det mod forenden af græsslåmaskinen.

VEKSELSTRØM

⚠ ADVARSEL

Der skal stadig udvises forsigtighed, selv om man er blevet fortrolig med apparatet. Glem aldrig, at man blot skal være uopmærksom en brøkdel af et sekund for at komme alvorligt til skade.

⚠ ADVARSEL

Brug altid øjenværn. Hvis denne regel ikke overholdes, kan man få slyngtet fremmedlegemer i øjnene og komme alvorligt til skade.

⚠ ADVARSEL

Brug ikke andre dele eller tilbehørsdele end dem, fabrikanten anbefaler til dette apparat. Hvis der anvendes ikke anbefalede dele eller tilbehørsdele, kan man komme alvorligt til skade.

⚠ ADVARSEL

Inden ibrugtagning skal man altid inspicere plæneklipperen for manglende eller beskadigede dele samt skader på kniven, ujævn eller kraftig slitage. Brug af et produkt med beskadigede eller manglende dele kan medføre alvorlige personskader.

- Vip ikke plæneklipperen, når maskinen startes eller motoren tændes; med mindre man er nødt til at vippe plæneklipperen, for at den kan starte. I så fald må man ikke vippe den mere end absolut nødvendigt, og kun løfte den del der vender bort fra operatøren.
- Start ikke motoren mens du står foran udstødningen.
- Anbring aldrig hænder eller fødder i nærheden af eller under roterende dele. Hold altid afstand til udkaståbningen.

For fuldstændig opladningsvejledning henvises til brugsanvisningen for batterierne og opladerne i afsnittet med specifikationer.

Dansk (Oversættelse fra original brugsanvisning)

SÅDAN INDSÆTTES BATTERIET

Se figur 8.

- Løft og hold batteridækslet oppe.
- Indstil batteriet til græsslåmaskinens batteriport.
- Kontroller, at batteri frigivelsesknappen klikker på plads og batteriet er helt og sikkert indsat i græsslåmaskinen, før den tages i brug.
- Indsæt batterinøgle.
- Hvis maskinen ikke skal bruges straks, skal du ikke indsætte batterinøglen
- Luk døren.

SÅDAN UDTAGES BATTERIET

Se figur 8.

- Slip gashåndtaget for at stoppe produktet.
- Åbn batteridækslet for at få adgang til batterirummet.
- Fjern batterinøglen.
- Tryk på batteri frigivelsesknappen på græsslåmaskinen. Dette vil skubbe batteriet lidt ud af græsslåmaskinen.
- Tag batteriet ud af produktet.

START/STOP GRÆSSLÅMASKINEN

Se figur 9.

- Tryk og hold sikkerheds lockout-knappen nede.
- Træk effektarmen opad på håndtaget for at starte plæneklipperen og slip sikkerheds lockout-knappen.
- For at stoppe plæneklipperen, slip kontakt kontrolarmen.

BEMÆRK: En høj lyd og gnistdannelse kan opstå, når den elektriske motor sænker hastigheden. Dette er normalt.

SELVKØRENDE GRÆSSLÅNING

Se figur 9.

Sådan aktiveres den selvkørende funktion:

- Åbn batterilågen.
- Indsæt batteriet.
- Indsæt batterinøglen.
- Træk grebet til den selvkørende funktion opad indtil det møder håndtaget.

Sådan deaktiveres den selvkørende funktion:

- Slip grebet til den selvkørende funktion.

Sådan justeres hastigheden for den selvkørende funktion:

- Træk styregrebet til variabel hastighed mod kaninsymbolet for at øge hastigheden.

- Træk styregrebet til variabel hastighed mod skildpaddesymbolet for at sænke hastigheden.

TIPS TIL GRÆSSLÅNING

- Kontrollér, at plænen er fri for sten, pinde, ledninger og andre genstande, som kan skade plæneklipperens knive eller motor. Kør ikke plæneklipperen hen over hegnsplæ eller andre metalplæe. Sådanne genstande kan blive skudt væk fra græsslåmaskinen i en vilkårlig retning og forårsage alvorlige personlige skader på brugeren og andre personer.
- For at få en sund græsplæne skal man altid klippe en tredjedel eller mindre af græssets længde.
- Forsøg ikke at klippe vådt græs, vådt græs sætter sig fast på undersiden af græsslåmaskinen og forhindrer således græsset at komme ned i græsbeholderen.
- Nyt eller tykt græs kan nødvendiggøre eller smallere klippebane en højere klippehøjde.
- Rengør undersiden af græsslåmaskinen efter hver anvendelse og fjern græsstykker, blade og andet opsamlet skidt.
- Når langt græs klippes, så gå langsommere frem med græsslåmaskinen, så græsset kan klippes mere effektivt.

BEMÆRK: Stop altid plæneklipperen, tillad klinger at stoppe helt og fjern batterinøglen før rengøring under plæneklipperen.

ANVENDELSE PÅ BAKKER

ADVARSEL

Bakker er en væsentlig faktor relateret til snubleog faldulykker som kan føre til alvorlige ulykker. Anvendelse på bakker kræver ekstra forsigtighed. Hvis du føler dig usikker i at slå græs på bakker, så bør du ikke anvende græsslåmaskinen dertil. For din egen sikkerheds skyld, så anvend ikke græsslåmaskinen på bakker stejlere end 15 grader.

ADVARSEL

Oprethold selvkørende lav hastighed, når du kører op ad en skråning.

- Slå græsset på tværs af bakker, aldrig op og ned. Udvis stor forsigtighed når græsslåmaskinen vendes på bakker.
- Hold øje med huller, riller, sten, buler, eller andre ting, som kan få dig til at snuble eller falde. Højt græs kan genne genstande. Fjern alle ting såsom sten, træstykker osv., som enten kan faldes over eller blive skudt væk fra græsslåmaskinen.

Dansk (Oversættelse fra original brugsanvisning)

- Sørg altid for at have godt fodfæste. Faldes eller snubles der kan det føre til alvorlige personlige skader. Hvis man føler, man kommer ud af balance, skal man straks slippe gashåndtaget.
- Slå ikke græs nær volde, afgrunde eller lignende; du kan let tabe balancen.

TØMNING AF GRÆSBOKSEN

Se figur 10.

- Stop plæneklipperen, lad klingen stoppe helt og fjern batterinøglen.
- Løft bagdøren.
- Løft græsboksen i håndtaget, og tag den ud af plæneklipperen.
- Tøm græsset ud.
- Løft bagdøren, og indsæt græsboksen som beskrevet tidligere i denne brugsanvisning.

Spænd alle fastspændingsdele og dæksler til, og tag ikke produktet i brug, før alle manglende eller beskadigede dele er monteret. Kontakt venligst Greenworks tools kundeservice for assistance. Undgå brug af opløsningsmidler til rengøring af plastdele. De fleste typer plastic kan tage skade ved brug af forskellige opløsemidler. Snavs, støv, olie, fedt, mv., fjernes med rene klude.

VEDLIGEHOJDELSE

⚠ ADVARSEL

Før du udfører enhver vedligeholdelse skal du kontrollere, at plæneklipperens batteri og batterinøglen er fjernet for at undgå utilsigtet start og eventuel alvorlig personskade.

⚠ ADVARSEL

For at forhindre utilsigtet start eller uautoriseret brug, er den trådløs plæneklipper udstyret med en aftagelig sikkerhedsnøgle. Du kan deaktivere plæneklipperen helt, sikkerhedsnøglen skal fjernes og opbevares på et sted væk fra plæneklipperen og utilgængeligt for børn.

⚠ ADVARSEL

I forbindelse med servicearbejde må der kun bruges godkendte reservedele. Anvendelse af andre dele kan føre til fare eller beskadigelse af produktet.

⚠ ADVARSEL

Hold motor- og batterirum fri for græs, løv eller overskydende fedt. Dette vil bidrage til at begrænse faren for brand.

GENEREL VEDLIGEHOJDELSE

Inden hver ibrugtagning skal man inspicere hele produktet for skader, manglende eller løse dele såsom skruer, møtrikker, bolte, dæksler, osv.

⚠ ADVARSEL

For at reducere risikoen for skader og fare, må værktøjet aldrig renses med højtryksrensere eller under rindende vand.

⚠ ADVARSEL

Må kun opbevares indendørs. Fjern altid batteriet fra plæneklipper og oplader ved rengøring eller opbevaring af værktøjet.

⚠ ADVARSEL

Sørg for, at bremsevæske, benzin, petroleumsbaserede produkter, penetreringsolie, mv., aldrig kommer i kontakt med plastdele. Kemikalier kan beskadige, blødgøre eller ødelægge plast, hvilket kan medføre alvorlig personskade.

Tjek regelmæssigt om møtrikker og bolte sidder fast for at sikre korrekt anvendelse af græsslåmaskinen.

Tør ind i mellem græsslåmaskinen ren med en blød klud. Anvend aldrig vand hertil.

SMØRELSE

Alle lejer på dette produkt er smurt med tilstrækkeligt højkvalitets olie, der under normale forhold holder i hele produktets levetid. Således behøver produktet ikke smøres yderligere.

⚠ ADVARSEL

Beskyt altid hænderne ved at bære kraftige handsker og/eller føre beskyttende materialer rundt om skærebladene når de vedligeholdes. Kontakt med kniven kan medføre alvorlige personskader.

Dansk (Oversættelse fra original brugsanvisning)

⚠ ADVARSEL

Påfør ikke smørelse på nogen af hjulkomponenterne. Smøring kan bevirke, at hjuldelene svigter under brug, hvilket kan medføre alvorlige personskader for operatøren og/eller skader på plæneklipper eller ejendom.

UDSKIFT SKÆREBLADET

Se figur 11-12.

BEMÆRK: Brug kun godkendte udskiftningsknive. Udskift altid slidte eller beskadigede knive og skruer sætvis, så balancen opretholdes.

- Stop motoren og fjern batterinøglen. Vent, til kniven er helt stoppet.
- Fjern batteriet.
- Vend græsslåmaskinen om på siden.
- Placer et stykke træ mellem skærebladet og græsslåmaskinen for at forhindre skærebladet i at rotere.
- Løsn bladbolten ved at dreje den mod uret (som set fra bunden af græsslåmaskinen) med en 27 mm skruenøgle eller topnøgle (medfølger ikke).
- Aftag bladet og bolten.
- Placer det nye blad på akslen. Sørg for at bladet er korrekt fastgjort på akslen, der går gennem bladhullet og de to bladstolper på viften, indsat i deres respektive huller på bladet. Sørg for at det installeres med de krumme ender opad mod græsslåmaskinens dæk og ikke ned mod Jorden. Når det er korrekt fastgjort, skal bladet sidde fladt mod viften.
- Sæt bladets bolt på akslen og stram med fingrene. Fastspænd knivmøtrikken med uret med en momentnøgle (medfølger ikke) for at sikre, at bolten er spændt ordentligt til. Det anbefalede tilspændingsmoment for knivmøtrikken er 62,5~71,5 kgf cm (350-400 in. lb).

MILJØBESKYTTELSE

- Beskyttelse af miljøet er et meget relevant aspekt, som bør gives høj prioritet under anvendelse af maskinen - både til gavn for fællesskabet og det miljø, vi lever i. Undgå at være til gene for nabolaget.
- Overhold nøje de lokale bestemmelser hvad angår bortskaffelse af emballage, olie, benzin, batterier, filtre, slidte dele og andre komponenter, som kan påvirke miljøet. Disse typer affald må ikke bortskaffes sammen med det almindelige husholdningsaffald, men skal indleveres særskilt til egnede genbrugsstationer, som vil sørge for genanvendelse af materialerne.
- Overhold nøje de lokale bestemmelser vedrørende bortskaffelse af restmaterialet efter klipningen.
- Efter endt levetid må maskinen ikke efterlades i naturen. Henvend dig til din lokale genbrugsstation for bortskaffelse i henhold til de gældende lokale bestemmelser.

Dansk (Oversættelse fra original brugsanvisning)


FEJLFINDER

Problem	Mulig årsag	Løsning
Håndtag er ikke i position.	Låseskruerne er ikke monteret korrekt.	Indstil højden af håndtaget, og kontrollér, at låseskruerne er monteret korrekt.
Plæneklipperen vil ikke starte.	Batteri er næsten afladet.	Oplad batteriet.
	Batteri er enten defekt eller kan ikke oplades.	Udskift batteriet.
	Batterinøglen er ikke indsat.	Indsæt batterinøglen.
Plæneklipper klipper græs ujævnt.	Plænen er knodet eller ujævn, eller klippehøjden er indstillet forkert.	Flyt hjulene til en højere position. Alle hjul skal indstilles i samme klippehøjde, for at plæneklipperen kan klippe jævnt.
Plæneklipperen bioklipper ikke græsset ordentligt.	Afklippede, våde græsstrå klæber fast til plæneklipperens underside.	Vent med at klippe græsset, til det er tørt.
Plæneklipper er svær at skubbe.	Højt græs, bagdelen af græsslåmaskinen og skærebladet sætter sig fast i højt græs, eller skærehøjden er for lav.	Sæt klippehøjden højere op.
Plæneklipperen opsamler ikke græsset ordentligt.	Klippehøjden er sat for lavt.	Sæt klippehøjden højere op.
Græsslåmaskinen vibrerer ved høj hastighed.	Kniv er ude af balance, slidt kraftigt eller ujævnt.	Montér atter kniven.
	Motorakslen er bøjet.	Stop motoren, tag sikkerhedsnøglen og batteriet ud, kobl strømforsyningen fra, og inspicér for skader. Få græsslåmaskinen repareret af et autoriseret servicecenter før den forsøges genstartet
Motor stopper under klipning.	Klippehøjden er sat for lavt.	Sæt klippehøjden højere op.
	Batteri er uden strøm.	Oplad batteriet.

Hvis disse løsninger ikke afhjælper problemet, kontakter man sin autoriserede serviceforhandler.

Polski (Tłumaczenie oryginalnej instrukcji)

PARAMETRY TECHNICZNE

Kosiarka do trawy	2502907
Szerokość frezowania	46 cm
Wysokość cięcia	25 mm - 80 mm
Prędkość obrotowa bez obciążenia	2800 rpm
Prędkość z własnym napędem	0.5-1.5 m/s
Maksymalny poziom ciśnienia akustycznego	LpA :73 dB(A), K:3.0
Zmierzony poziom mocy akustycznej	LwA :85.5 dB(A)
Poziom drgań	<2.5 m/s ² , K=1.5
Pojemność kosza na trawę	52 L
Masa netto	28 kg
Dodatkowe ostrze	2920407
Akumulator	Litowo-jonowych
Numer modelu	2918307 / 2918407
Ładowarka akumulatora	
Numer modelu	2918507
Konstrukcja o podwójnej izolacji	

OPIS

1. Dźwignia zasilania
2. Kabel sterujący silnika
3. Przycisk uruchamiania
4. Uchwyt górny
5. Opuścić uchwyt
6. Dźwignia regulacji wysokości
7. Drzwi akumulatora
8. Koło przednie
9. Koło tylne
10. Kosz na trawę
11. Akumulator
12. Pokrętko
13. Pokrętko
14. Śruby
15. Uchwyt kosza na trawę

16. Drzwi tylne
17. Tylony otwór wylotowy
18. Pręt drzwi
19. Haczyki
20. Ostrze
21. Walek silnika
22. Wentylator
23. Śruba ostrza
24. Słupki ostrza
25. Przycisk zwalnający akumulatora
26. Korek ściółkowania
27. Boczna osłona wylotowa
28. Boczne drzwi wylotowe
29. Kawalek drewna (nie dołączono do zestawu)
30. Kluczyk (nie dołączono do zestawu)
31. Kluczyk akumulatora
32. Dźwignia funkcji samobieżnej
33. Elementy sterowania funkcji samobieżnej

OSTRZEŻENIE

Używanie innych akumulatorów może spowodować pożar, porażenie prądem lub obrażenia ciała.

INFORMACJE O KOSIARCE

Zobacz rysunek 1.

Aby bezpiecznie korzystać z urządzenia, należy w pełni zrozumieć informacje umieszczone na urządzeniu oraz w niniejszej instrukcji obsługi oraz posiadać niezbędną wiedzę na temat planowanej pracy do wykonania. Przed użyciem tego urządzenia zapoznać się z obsługą i zasadami bezpieczeństwa.

WSKAŹNIK NAŁADOWANIA AKUMULATORA

Wskaźnik naładowania akumulatora mierzy ilość energii pozostałej w akumulatorze.

KOSZ NA TRAWĘ

Kosz na trawę zbiera skrawki trawy, nie pozwalając na rozrzucanie ich po trawniku podczas koszenia.

DŹWIGNIA REGULACJI WYSOKOŚCI

Dźwignia regulacji wysokości pozwala regulować wysokość koszenia.

Polski (Tłumaczenie oryginalnej instrukcji)

KABEL STERUJĄCY SILNIKA

Kabel sterujący silnika znajdujący się na górnym uchwycie kosiarki umożliwia włączanie i wyłączanie silnika z ostrzem.

KLUCZYK URUCHAMIAJĄCY

Aby uruchomić kosiarkę, należy najpierw włożyć kluczyk uruchamiający.

KOREK ŚCIÓLKOWANIA

Kosiarka jest wyposażona w korek ściółkowania, który zasłania tylny otwór wylotowy, umożliwiając dokładniejsze koszenie trawy w celu uzyskania mniejszych skrawków trawy.

BOCZNA OSŁONA WYLOTOWA

Użyć bocznej osłony wylotowej kosiarki, gdy trawa jest zbyt wysoka, aby stosować ściółkowanie lub gdy zalecane jest użycie bocznej osłony wylotowej. Skrawki trawy powstające po użyciu bocznej osłony wylotowej są zauważalnie większe niż skrawki powstające w wyniku użycia korka ściółkowania i bocznej płyty ściółkowania.

BOCZNE DRZWI WYLOTOWE

Kosiarka jest wyposażona w drzwi zasłaniające boczny otwór wylotowy, umożliwiające koszenie i ponowne przycinanie trawy w celu uzyskania mniejszych skrawków trawy, gdy zainstalowano korek ściółkowania lub zbieranie skrawków trawy w specjalnym worku.

MONTAŻ

ROZPAKOWYWANIE

Urządzenie wymaga złożenia.

- Wyjąć ostrożnie produkt i akcesoria z opakowania. Sprawdzić, czy opakowanie zawiera wszystkie wyszczególnione elementy.

⚠ OSTRZEŻENIE

Nie używać tego produktu, jeżeli po rozpakowaniu chociaż jedna część znajdująca się na liście dostarczonego wyposażenia została już zamontowana w produkcie. Części znajdujące się na tej liście nie zostały zamontowane w urządzeniu przez producenta i wymagają ich zainstalowania przez użytkownika. Użycie urządzenia, które zostało nieprawidłowo złożone może spowodować poważne obrażenia ciała.

- Sprawdzić dokładnie, czy produkt nie został uszkodzony podczas transportu.
- Nie wyrzucać opakowania od czasu dokładnego sprawdzenia i pomyślnego uruchomienia produktu.
- Jeżeli części są uszkodzone lub brakuje części, należy

skontaktować się z centrum serwisowym Greenworks tools aby uzyskać pomoc.

LISTA DOSTARCZONEGO WYPOSAŻENIA

- Kosiarka do trawy
- Kluczyk akumulatora
- Kosz na trawę
- Korek ściółkowania
- Boczna osłona wylotowa
- Instrukcja obsługi
- Pokrętła
- Śruby

⚠ OSTRZEŻENIE

W przypadku uszkodzenia lub braku dowolnego podzespołu urządzenia, nie wolno go używać aż do wymiany podzespołu. Używanie urządzenia z uszkodzonymi lub brakującymi częściami może być przyczyną poważnych obrażeń ciała.

⚠ OSTRZEŻENIE

Nie należy modyfikować narzędzia lub korzystać z akcesoriów, które nie są przeznaczone dla tego urządzenia. Dokonanie zmian konstrukcyjnych lub modyfikacji jest postępowaniem niezgodnym z przeznaczeniem i może być przyczyną wystąpienia niebezpiecznych warunków grożących poważnymi obrażeniami.

⚠ OSTRZEŻENIE

Nie wkładać kluczyka akumulatora, jeśli urządzenie nie jest kompletne lub gdy brak pełnej gotowości do koszenia. W przeciwnym razie może dojść do przypadkowego uruchomienia powodującego poważne obrażenia ciała.

⚠ OSTRZEŻENIE

Aby zapobiec przypadkowemu uruchomieniu urządzenia, które mogłoby spowodować poważne obrażenia ciała, należy zawsze wyciągać akumulator z urządzenia podczas instalowania części.

Polski (Tłumaczenie oryginalnej instrukcji)

⚠ OSTRZEŻENIE

Kosiarka może być używana wyłącznie z zamontowanymi i sprawnymi zabezpieczeniami. Nie wolno używać kosiarki, jeśli jakiegokolwiek elementy zabezpieczające są uszkodzone. Obsługa urządzenia z uszkodzonymi lub brakującymi elementami grozi poważnym zranieniem.

ROZKŁADANIE I REGULACJA DOLNEGO UCHWYTU

Zobacz rysunek 2.

- Pociągnąć i obrócić po obu stronach pokręta uchwytu o 90°, aby poluzować dolne uchwyt.
- Przesunąć dolne uchwyt do położenia roboczego. Można podwyższyć lub obniżyć uchwyt, aby uzyskać wygodną pozycję. Dostępne są 3 pozycje. Zwolnić pokręta uchwytu, aby zablokować dolny uchwyt w danym położeniu.

UWAGA: Aby zapewnić prawidłowe zamontowanie, po obu stronach musi być ustawiona ta sama pozycja.

MONTAŻ GÓRNEGO UCHWYTU

Zobacz rysunek 3.

- Wyrównać otwory montażowe w górnym i dolnym uchwycie. Włożyć śruby zamkowe i dokręcić je za pomocą pokręteł. Powtórzyć czynność z drugiej strony.

INSTALACJA KOSZA NA TRAWĘ

Zobacz rysunek 4.

- Podnieść tylne drzwiczki wyrzutu trawy.
- Podnieść kosz na trawę za uchwyt i umieścić go pod tylną klapą wyrzutu, aby haczyki kosza na trawę znajdowały się na drażku klapy.
- Opuścić tylną klapę wyrzutu. Gdy haczyki są zamontowane prawidłowo na koszu na trawę, będą wystawać przez otwory z tyłu klapy wyrzutu.

INSTALACJA KORKA

Zobacz rysunek 5.

- Podnieść i przytrzymać tylne drzwi wylotowe.
- Chwycić korek ściółkowania za uchwyt i umieścić go pod niewielkim kątem, jak pokazano na rysunku.
- Umieścić korek ściółkowania we właściwym miejscu.
- Opuścić tylne drzwi wylotowe.

INSTALACJA BOCZNEJ OSŁONY WYLOTOWEJ

Zobacz rysunek 6.

OBJAŚNIENIE: Używając boczną osłonę wylotową, nie należy instalować kosza na trawę. Korek ściółkowania powinien pozostać zainstalowany.

- Podnieść boczne drzwi wylotowe.
- Wyrównać haczyki osłony ze sworzniem zawiasy długiej na dole drzwi.
- Opuścić osłonę w taki sposób, aby haczyki zaczepiły się o sworznie zawiasy długiej drzwi ściółkowania.
- Opuścić osłonę i boczne drzwi wylotowe.

REGULACJA WYSOKOŚCI TARCZY TNĄCEJ

Zobacz rysunek 7.

Fabrycznie koła kosiarki są ustawione na najmniejszą wysokość koszenia. Przed pierwszym użyciem kosiarki należy wyregulować wysokość koszenia, dopasowując ją do konkretnego trawnika. Trawnik powinien mieć średnio od 38 mm do 51 mm wysokości w miesiącach chłodnych oraz od 51 mm do 70 mm wysokości w miesiącach ciepłych.

Aby wykonać regulację wysokości ostrza

- Aby zwiększyć wysokość tarczy tnącej, pochwycić dźwignię regulacji wysokości i przesunąć ją do tyłu kosiarki.
- Aby obniżyć wysokość tarczy tnącej, pochwycić dźwignię regulacji wysokości i przesunąć ją do przodu kosiarki.

SPOSÓB UŻYCIA

⚠ OSTRZEŻENIE

Nawet po dokładnym zaznajomieniu się z waszym urządzeniem, bądźcie ostrożni. Nigdy nie zapomnijcie, że wystarczy ułamek sekundy nieuwagi, aby doszło do poważnego zranienia.

⚠ OSTRZEŻENIE

Zawsze nosić okulary ochronne. W razie nie spełnienia tych wymagań może dojść do odrzutu obcego ciała do oczu, co grozi poważnym skażeniem oka.

⚠ OSTRZEŻENIE

Do tego urządzenia używajcie jedynie części i akcesoriów zalecanych przez producenta. Używanie niezalecanych części i akcesoriów może pociągnąć za sobą ryzyko poważnych obrażeń ciała.

Polski (Tłumaczenie oryginalnej instrukcji)

⚠ OSTRZEŻENIE

Zawsze sprawdzić kosiarkę przed użyciem, czy nie brakuje części lub czy części lub ostrze nie są uszkodzone, nierówne lub czy nie są nadmiernie zużyte. Używanie urządzenia z uszkodzonymi lub brakującymi częściami może być przyczyną poważnych obrażeń ciała.

- Nie przechylać kosiarki podczas uruchamiania silnika lub włączania urządzenia, chyba że wymaga tego procedura uruchomienia silnika. W takim przypadku nie przechylać go bardziej, niż to konieczne i podnieść tylko część znajdującą się i skierowaną w kierunku przeciwnym od operatora.
- Nie uruchamiać silnika stojąc przed otworem wyrzutowym.
- Nie umieszczać rąk lub nóg w pobliżu lub pod częściami obrotowymi. Nigdy nie zasłaniać otworu wylotowego.

Szczegółowe informacje dotyczące ładowania znajdują się w instrukcji obsługi akumulatora lub ładowarki, których listę zamieszczono w specyfikacji.

INSTALACJA AKUMULATORA

Zobacz rysunek 8.

- Podnieść i przytrzymać osłonę akumulatora.
- Wyrównać akumulator z gniazdem akumulatora kosiarki.
- Zatrzasnąć na spodzie akumulatora musi zatrzasnąć się na swoim miejscu, a akumulator musi być prawidłowo zamocowany w kosiarce, aby można było rozpocząć pracę.
- Włożyć kluczyk akumulatora.
- Jeśli urządzenie nie będzie od razu używane, nie wolno wkładać kluczyka akumulatora.
- Zamknąć drzwi.

WYJMOWANIE AKUMULATORA

Zobacz rysunek 8.

- Zwolnić dźwignię zasilania, aby wyłączyć urządzenie.
- Otworzyć pokrywę akumulatora, aby uzyskać dostęp do komory akumulatora.
- Wyjąć kluczyk akumulatora.
- Nacisnąć przycisk zwalniający akumulatora na kosiarce. Spowoduje to, że akumulator lekko wysunie się z narzędzia.
- Wyjąć akumulator z urządzenia.

URUCHAMIANIE/ZATRZYMYWANIE KOSIARKI

Zobacz rysunek 9.

- Nacisnąć i przytrzymać przycisk blokady zabezpieczającej.
- Pociągnąć dźwignię zasilania do góry w stosunku do uchwytu, aby uruchomić kosiarkę i zwolnić przycisk blokady zabezpieczającej.
- Aby zatrzymać kosiarkę, należy zwolnić dźwignię sterowania przełącznika.

UWAGA : Gdy silnik elektryczny zwalnia, może występować dźwięk o wysokiej częstotliwości oraz iskrzenie. Jest to normalne zjawisko.

KOSZENIE TRAWY Z UŻYCIEM FUNKCJI SAMOBIEŻNEJ

patrz rys. 9.

Aby włączyć funkcję pracy samobieżnej:

- Otworzyć pokrywę akumulatora.
- Włożyć akumulator.
- Włożyć kluczyk akumulatora.
- Pociągnąć dźwignię pracy samobieżnej do góry, aż zetknie się z uchwytem.

Aby wyłączyć funkcję pracy samobieżnej:

- Zwolnić dźwignię pracy samobieżnej.

Aby ustawić funkcję pracy samobieżnej:

- Pociągnąć dźwignię regulacji prędkości do położenia z symbolem królika, aby zwiększyć prędkość.
- Popchnąć dźwignię regulacji prędkości do położenia z symbolem żółwia, aby zmniejszyć prędkość.

WSKAZÓWKI DOTYCZĄCE KOSZENIA

- Upewnić się, że na trawniku nie ma kamieni, gałęzi, przewodów i innych przedmiotów, które mogłyby uszkodzić ostrza lub silnik kosiarki. Nie kosić w pobliżu metalowych ogrodzeń lub innych metalowych elementów. Takie przedmioty mogą być przypadkowo wyrzucone przez kosiarkę w dowolnym kierunku i spowodować poważne zranienie operatora lub innych osób.
- Aby utrzymać trawnik w doskonałym stanie, zawsze ścinać jedną trzecią całkowitej wysokości trawy.
- Nie kosić mokrej trawy, będzie się ona przyklejać od spodu kosiarki i uniemożliwi prawidłowe gromadzenie w pojemniku lub wyrzucanie ściętej trawy.
- Świeża lub gruba trawa może wymagać dokładniejszego koszenia lub ustawienia wyższej wysokości koszenia.
- Po każdym użyciu należy czyścić spód podwozia, usuwając pozostałości trawy, liści, brud i inne

Polski (Tłumaczenie oryginalnej instrukcji)

zanieczyszczenia.

- Podczas koszenia wysokiej trawy, należy zmniejszyć prędkość przesuwu co pozwoli zwiększyć efektywność koszenia i zapewni prawidłowe wyrzucanie skoszonej trawy.

UWAGA: Przed czyszczeniem kosiarki od spodu zawsze wyłączyć kosiarkę, poczekać, aż ostrza zatrzymają się całkowicie i wyciągnąć kluczyk akumulatora.

PRACA NA ZBOCZU

▲ OSTRZEŻENIE

Praca na zboczu to jedna z głównych przyczyn poślizgnięć i upadków, które mogą zakończyć się poważnym zranieniem. Praca na zboczu wymaga zachowania szczególnej ostrożności. Jeśli operator czuje się niepewnie, nie powinien kosić zbocza. Dla własnego bezpieczeństwa nie należy kosić zbocza o nachyleniu większym niż 15 stopni.

▲ OSTRZEŻENIE

W czasie koszenia pod górę należy utrzymywać niską prędkość napędu.

- Pochyłe tereny należy kosić wzdłuż zbocza, nigdy do góry i w dół. Zachować szczególną ostrożność podczas zmiany kierunku jazdy na pochyłym terenie.
- Uważać na dziury, skały, ukryte przedmioty, które mogą spowodować poślizgnięcie się lub wywrócenie. Wysoka trawa może ukrywać przeszkody. Należy usunąć z trawnika wszystkie przedmioty takie jak skały, kamienie, gałęzie drzew itp., o które można się przewrócić lub które może uderzyć tarcza tnąca.
- Zawsze zwracać uwagę na zachowanie bezpiecznej odległości stóp od urządzenia. Poślizgnięcie się i upadek grozi poważnymi obrażeniami. W przypadku zbliżającej się utraty równowagi należy natychmiast puścić dźwignię zasilania.
- Nie wolni kosić w pobliżu skarp, uskoków, nasypów itp. Groziłoby to utratą równowagi.

OPRÓŻNIANIE KOSZA NA TRAWĘ

Zobacz rysunek 10.

- Zatrzymać kosiarkę, poczekać, aż ostrze zatrzymają się całkowicie i wyjąć kluczyk akumulatora.
- Podnieść tylne drzwi.
- Podnieść kosz na trawę używając uchwytu, aby wyciągnąć go z kosiarki.
- Wyrzucić skoszoną trawę.
- Podnieść tylne drzwi i zamontować ponownie kosz na

trawę, jak opisano wcześniej w tej instrukcji obsługi.

KONSERWACJA

▲ OSTRZEŻENIE

Przed wykonaniem czynności konserwacyjnych upewnić się, że akumulator kosiarki i kluczyk akumulatora zostały wyciągnięte, aby uniknąć przypadkowego uruchomienia urządzenia i poważnych obrażeń ciała.

▲ OSTRZEŻENIE

Aby nie dopuścić do przypadkowego uruchomienia lub nieupoważnionego użycia, bezprzewodowa kosiarka została wyposażona w wymyślony kluczyk zabezpieczający. Aby całkowicie unieruchomić kosiarkę, kluczyk zabezpieczający należy wyjąć i przechowywać z dala od kosiarki oraz poza zasięgiem dzieci.

▲ OSTRZEŻENIE

Podczas konserwacji i naprawy używać wyłącznie autoryzowanych części zamiennych. Stosowanie zamienników innych firm może stwarzać zagrożenie dla zdrowia użytkownika lub uszkodzić urządzenie.

▲ OSTRZEŻENIE

Komory silnika i akumulatora muszą być czyste, bez trawy, liści lub nadmiaru smaru. Pomoże to zmniejszyć ryzyko pożaru.

OGÓLNE ZASADY KONSERWACJI URZĄDZENIA

Przed każdym użyciem sprawdzić cały produkt pod względem uszkodzenia, brakujących części, poluzowanych części, np. śrub, nakrętek, wkrętów, korków itp.

Dokręcić dobrze wszystkie elementy mocujące i korki; nie uruchamiać urządzenia dopóki wszystkie brakujące lub uszkodzone części zostaną wymienione. Skontaktować się z działem obsługi klienta Greenworks tools w celu uzyskania wsparcia. Unikać stosowania rozpuszczalników do czyszczenia plastikowych części. Większość plastików jest wrażliwa na rozmaite rozpuszczalniki dostępne w handlu i może ulec uszkodzeniu przez ich stosowanie. Do usuwania brudu, kurzu, oleju, smaru itp. należy używać czystej szmatki.

Polski (Tłumaczenie oryginalnej instrukcji)

⚠ OSTRZEŻENIE

Komory silnika i akumulatora muszą być czyste, bez trawy, liści lub nadmiaru smaru. Pomoże to zmniejszyć ryzyko pożaru.

⚠ OSTRZEŻENIE

Abym zmniejszyć ryzyko uszkodzenia i wystąpienia niebezpiecznych sytuacji, nigdy nie należy czyścić narzędzia myjką ciśnieniową ani myć pod bieżącą wodą.

⚠ OSTRZEŻENIE

Przechowywać tylko w pomieszczeniach. Na czas czyszczenia lub przechowywania narzędzia, z kosiarki należy zawsze wyjąć akumulator.

Należy systematycznie sprawdzać dokręcenie wszystkich nakrętek i śrub, aby zapewnić bezpieczną pracę kosiarki. Okresowo przecierać kosiarkę do czysta za pomocą suchej szmatki. Nie używać do tego celu wody.

SMAROWANIE

Wszystkie łożyska urządzenia zostały nasmarowane odpowiednią ilością smaru o wysokiej jakości, który powinien zapewnić odpowiednie smarowanie tych części przez okres żywotności urządzenia. Dlatego też nie ma potrzeby dodatkowego smarowania.

⚠ OSTRZEŻENIE

W celu wykonania czynności konserwacyjnych związanych z tarczą tnącą, należy zawsze chronić dłonie zakładając grube rękawice ochronne i owijając tarczę tnącą odpowiednim materiałem. Kontakt z ostrzem może powodować poważne obrażenia ciała.

⚠ OSTRZEŻENIE

Nie należy smarować elementów zespołu koła. Smarowanie może spowodować uszkodzenie elementów kół podczas użytkowania, powodując poważne obrażenia ciała osoby obsługującej urządzenie i/lub uszkodzenie kosiarki lub mienia.

WYMIANA TARCZY TNĄCEJ

Zobacz rysunek 11-12.

OBJAŚNIENIE: Podczas wymiany używać wyłącznie zatwierdzonego ostrzy. Wymienić zużyte lub uszkodzone całe zestawy ostrzy i śrub, aby zachować wyważenie.

- Wyłączyć silnik i wyciągnąć kluczyk akumulatora. Począć, aż ostrze całkowicie się zatrzyma.
- Wyjąć akumulator.
- Położyć kosiarkę na boku.
- Wstawić klin drewniany między tarczę a podwozie kosiarki, aby zapobiec obracaniu się tarczy.
- Poluzować śrubę ostrza, obracając ją w lewo (patrząc od dołu kosiarki) za pomocą klucza lub nasadki 27 mm (brak w zestawie).
- Odkręcić śrubę ostrza i zdjąć ostrze.
- Nałożyć nowe ostrze na wał. Upewnić się, że ostrze zostało prawidłowo osadzone z wałkiem przechodzącym przez otwór ostrza i dwa trzpienie ostrza na wentylatorze umieszczone w przeznaczonych dla nich otworach ostrza. Należy upewnić się, że jego zakrzywione końce są skierowane w stronę korpusu kosiarki, a nie w stronę ziemi. Prawidłowo osadzone ostrze powinno być położone płasko względem wentylatora.
- Przykręcić śrubę ostrza do wału i dokręcić ręcznie. Dokręcić nakrętkę ostrza momentem obrotowym za pomocą klucza dynamometrycznego (brak w zestawie), aby zapewnić właściwe dokręcenie śruby. Zalecany moment obrotowy dla nakrętki ostrza wynosi 62,5~71,5 kG cm.

OCHRONA ŚRODOWISKA

- Ochrona środowiska jest ważnym i priorytetowym czynnikiem podczas użycia maszyny, dla dobra społeczeństwa i środowiska w którym żyjemy. Unikaj sytuacji, w której staje się ona elementem zakłócającym spokój otoczenia.
- Przestrzegaj skrupulatnie lokalnych przepisów dotyczących usuwania opakowań, olejów, benzyny, filtrów, zniszczonych części, czy jakichkolwiek innych elementów zanieczyszczających środowisko; odpady te nie mogą być wyrzucane do śmieci, ale muszą być rozdzielone i składowane w odpowiednich punktach selektywnego gromadzenia odpadów, które przeprowadzą utylizację tych materiałów.
- Przestrzegaj skrupulatnie lokalnych przepisów dotyczących usuwania materiału pozostałego po koszeniu.
- Po ostatecznym zaniechaniu używania maszyny, nie porzucaj jej w środowisku, lecz zwróć się do punktu selektywnego gromadzenia odpadów.

Polski (Tłumaczenie oryginalnej instrukcji)


ROZWIĄZYWANIE PROBLEMÓW

Problem	Możliwa przyczyna	Rozwiązanie
Uchwyt nie znajduje się we właściwym położeniu.	Śruby zawieszenia nie są prawidłowo osadzone w gniazdach.	Dostosować wysokość uchwytu i upewnić się, czy sworznie wózka zostały prawidłowo zamocowane.
Kosiarka nie uruchamia się.	Akumulator nie jest w pełni naładowany.	Naładować akumulator.
	Akumulator jest uszkodzony lub nie można go naładować.	Wymienić akumulator.
	Nie włożono klucza akumulatorowego.	Włóż klucz akumulatorowy.
Kosiarka nierównomiernie kosi trawę.	Trawnik jest niejednorodny, nierówny lub ustawiono nieprawidłową wysokość koszenia.	Przestawić koła na wyższą pozycję. Aby kosiarka kosiła równomiernie, wszystkie koła muszą być położone na tej samej wysokości koszenia.
Kosiarka nie ściółkuje prawidłowo.	Mokre skrawki trawy przywierają do dolnej części urządzenia.	Przed koszeniem należy poczekać, aż trawa wyschnie.
Kosiarkę trudno pchać.	Wysoka trawa, tył kosiarki i tarcza tnąca ciągnie ciężką trawę, zbyt mała wysokość cięcia.	Zwiększyć wysokość koszenia.
Kosiarka nie zbiera prawidłowo trawy w worku.	Wysokość cięcia jest ustawiona zbyt nisko.	Zwiększyć wysokość koszenia.
Kosiarka wpada w wibracje przy większej prędkości.	Ostrze jest niewyważone, nadmiernie lub nierówno zużyte.	Wymienić ostrze.
	Wałek silnika jest wygięty.	Wyłączyć silnik, wyciągnąć klucz odłącznika i akumulator, odłączyć źródło zasilania i sprawdzić urządzenie pod kątem uszkodzeń. Przed ponownym uruchomieniem oddać do naprawy w autoryzowanym serwisie.
Silnik zatrzymuje się podczas koszenia.	Wysokość cięcia jest ustawiona zbyt nisko.	Zwiększyć wysokość koszenia.
	Akumulator jest rozładowany.	Naładować akumulator.

Jeżeli przedstawione czynności nie rozwiązały problemu, należy skontaktować się z autoryzowanym przedstawicielem serwisu.

Čeština (Překlad z originálních pokynů)

TECHNICKÉ ÚDAJE

Sekačka trávy	2502907
Šířka frézování	46 cm
Výška sečení	25 mm - 80 mm
Rychlost naprázdno	2800 rpm
Rychlost vlastního pohonu	0.5-1.5 m/s
Naměřená hladina akustického výkonu	LpA :73 dB(A), K:3.0
Hladina akustického tlaku	LwA :85.5 dB(A)
Úroveň vibrací	<2.5 m/s ² , K=1.5
Kapacita sběrného vaku	52 L
Čistá hmotnost	28 kg
Náhradní nůž	2920407
Baterie	Lithium-iontová
Číslo modelu	2918307 / 2918407
Nabíječka akumulátorů	
Číslo modelu	2918507
Dvojitě izolovaná konstrukce	

POPIS

1. Páka napájení
2. Řídicí kabel motoru
3. Startovací tlačítko
4. Horní rukojeť
5. Spodní rukojeť
6. Páka seřízení výšky
7. Dvířka pro baterie
8. Přední kolo
9. Zadní kolo
10. Sběrný vak
11. Baterie
12. Šroub rukojeti
13. Šroub
14. Šrouby
15. Rukojeť sběrného vaku
16. Zadní dvířka
17. Zadní vyprazdňovací otvor

18. Tyč dvířek
19. Háčky
20. Nůž
21. Hřídel motoru
22. Ventilátor
23. Šroub nože
24. Kolíky nože
25. Uvolňovací tlačítko akumulátoru
26. Mulčovací zásuvka
27. Boční vyhozovací vodící lišta
28. Dvířka bočního vyhozování
29. Blok dřeva (nepřibaleno)
30. Servisní utahovací klíč (nepřibaleno)
31. Bezpečnostní klíč baterie
32. Páka pojezdu
33. Ovladače rychlosti pojezdu

⚠ UPOZORNĚNÍ

Použití jakéhokoliv jiného akumulátoru může způsobit nebezpečí poranění, úrazu elektrinou a požáru.

POZNEJTE SVOU SEKAČKU TRÁVY

Viz obrázek 1.

Bezpečné používání tohoto výrobku vyžaduje pochopení informací na výrobku a v tomto návodu k použití jako i znalost úkolu, který budete provádět. Před použitím tohoto výrobku se seznámte se všemi vlastnostmi obsluhy a bezpečnostními pravidly.

MĚŘIDLO BATERIE

Měřidlo baterie měří zbývajících nabití baterie.

SBĚRNÝ VAK

Sběrný vak sbírá travní řezanku a zabraňuje jejímu vyhozování na posečený trávník.

PÁKA SEŘÍZENÍ VÝŠKY

Pákou seřízení výšky se provádí seřízení výšky sečení.

ŘÍDICÍ KABEL MOTORU

Řídicí kabel motoru, umístěný na horní rukojeti sekačky, aktivuje a deaktivuje motor a nůž.

KLÍČOVÝ SPÍNAČ

Klíčový spínač je třeba vložit před spuštěním sekačky.

Čeština (Překlad z originálních pokynů)

MULČOVACÍ ZÁSUVKA

Sekačka je vybavena mulčovací zásuvkou, která zakrývá zadní vyhazovací otvor, který umožňuje noži sekačky sekat a přesekávat trávu na jemnou řezanku.

- Boční vyhazovací vodící lišta
- Návod k obsluze
- Knoflíky
- Šrouby

BOČNÍ VYHAZOVACÍ VODÍCÍ LIŠTA

Používejte boční vyhazovací vodící lištu na vaši sekačce, když je tráva na vaší sekačce příliš vysoká pro mulčování nebo když preferujete boční vyhazování. Travní řezanka vyráběná při použití boční vyhazovací vodící lišty je znatelně delší, než řezanka vytvářená pomocí mulčovací zásuvky a boční mulčovací desky.

DVÍRKA BOČNÍHO VYHAZOVÁNÍ

Sekačka je vybavena dvířky, která zakrývají boční vyhazovací otvor, který umožňuje noži sekačky sekat a přesekávat trávu na jemnou řezanku, pokud je aktivována mulčovací zásuvka nebo jinak odvádí řezanku do sběrného vaku.

MONTÁŽ

VYBALENÍ

Tento výrobek vyžaduje složení.

- Vyndejte výrobek a veškeré příslušenství z krabice. Ujistěte se, že jsou přibaleny všechny položky uvedené v seznamu součástí.

⚠ UPOZORNĚNÍ

Nepoužívejte tento výrobek, pokud jsou již některé díly ze Seznamu obsahu balení namontovány na váš výrobek, když jej vybalujete. Díly na seznamu nejsou namontovány na výrobek výrobcem a musí je nainstalovat zákazník. Použití výrobku, který může být nesprávně smontován, může způsobit vážné poranění osob.

- Pečlivě výrobek prohleďte, zda není dopravou rozbit nebo poškozen.
- Obal nelikvidujte, dokud jste výrobek řádně neprohlédli a přiměřeně neodzkoušeli.
- Pokud nějaké předměty chybí nebo jsou viditelně poškozeny, kontaktujte ihned autorizovanou servisní opravnu Greenworks tools.

OBSAH BALENÍ

- Sekačka trávy
- Bezpečnostní klíč baterie
- Sběrný vak
- Mulčovací zásuvka

⚠ UPOZORNĚNÍ

Pokud nějaké předměty chybí nebo jsou viditelně poškozeny, nepracujte s tímto výrobkem, dokud se součásti nevymění. Obsluha výrobku s poškozenými nebo chybějícími částmi může způsobit vážné zranění.

⚠ UPOZORNĚNÍ

Nepokoušejte se tento výrobek upravovat nebo vyrábět příslušenství, které nejsou doporučeny k tomuto výrobku. Jakékoliv úpravy nebo přestavby je nesprávné zacházení mohou mít za následek nebezpečné podmínky vedoucí k vážným osobním poraněním.

⚠ UPOZORNĚNÍ

Bezpečnostní klíč baterie nevkládejte, dokud není dokončeno sestavení a dokud nejste připraveni sekat. Nedodržení tohoto pokynu může vést k náhodnému spuštění a hrozí případné vážné fyzické zranění.

⚠ UPOZORNĚNÍ

Abyste zabránili náhodnému zapnutí, které může způsobit vážné poranění osob, vždy odpojujte akumulátor při montáži dílů.

⚠ UPOZORNĚNÍ

Sekačku nikdy nepoužívejte, pokud nejsou upevněna a funkční ochranná zařízení. Sekačku nikdy nepoužívejte, pokud jsou poškozena ochranná zařízení. Obsluha tohoto výrobku s poškozenými nebo chybějícími částmi může způsobit vážné zranění.

ROZTAŽENÍ A SEŘÍZENÍ SPODNÍHO RÁMU RUKOJETI

Viz obrázek 2.

- Vytáhněte a otočte šrouby rukojeti o 90° na obou stranách, aby se uvolnil spodní rám rukojeti na obou stranách.
- Umístěte obě části spodního rámu rukojeti do provozní polohy. Můžete zvýšit nebo snížit rám rukojeti do pro vás pohodlné polohy. K dispozici jsou 3 polohy, ze kterých si můžete vybrat. Uvolněte šrouby rukojeti pro uzamknutí spodního rámu rukojeti v poloze.

POZNÁMKA: Zajistěte pro správnou montáž, aby obě

Čeština (Překlad z originálních pokynů)

strany byly nastaveny na stejné pozici.

INSTALACE HORNÍHO ÚCHYTU

Viz obrázek 3.

- Překryjte montážní otvory na horním rámu rukojeti a spodním rámu rukojeti. Vložte šrouby vozíku a pomocí šroubů s plastovou hlavou je utáhněte. Operaci opakujte i na druhé straně.

INSTALACE SBĚRNÉHO VAKU

Viz obrázek 4.

- Nadzvedněte zadní dvířka pro vyprázdnění.
- Zvedněte sběrný koš za rukojeť a umístěte pod dvířky zadního výhozu tak, aby háčky na sběrném koši byly usazeny na tyčkách dvířek.
- Uvolněte dvířka zadního výhozu. Při správné instalaci zůstanou háčky na sběrném koši zasunuty do otvorů na dvířkách zadního výhozu.

INSTALACE MULČOVACÍ ZÁSUVKY

Viz obrázek 5.

- Nadzvedněte a držte nahoře zadní dvířka pro vyprázdnění.
- Uchopte mulčovací zásuvku za její rukojeť a vložte ji pod menším úhlem, viz obrázek.
- Bezpečně zasuňte mulčovací zásuvku do její polohy.
- Dávejte dolů zadní dvířka pro vyprázdnění.

INSTALACE BOČNÍ VYHAZOVACÍ VODÍCÍ LIŠTY

Viz obrázek 6.

POZNÁMKA: Když používáte boční vyhazovací vodící lištu, nainstalujte sběrný vak. Mulčovací musí zůstat nainstalována.

- Nadzvedněte dvířka bočního vyhazování.
- Srovnejte háky na chrániči se závěsnou tyčí na spodní straně dvířek.
- Dávejte dolů vodící lištu, až se háčky zajistí na závěsné tyči mulčovacích dvířek.
- Uvolněte vodící lištu a dvířka bočního vyhazování.

SEŘÍZENÍ VÝŠKY NOŽE

Viz obrázek 7.

Při zasílání nastavte kola sekačky na nejnižší sekací úroveň. Před prvním použitím sekačky nastavte sekací polohu na výšku nejvhodnější pro váš trávník. Průměrný

trávník by měl mít 38 mm až 51 mm v chladných měsících a mezi 51 mm až 70 mm v teplých měsících.

Pro seřízení výšky nože

- Pro zvednutí výšky nože uchopte páku seřízení výšky a posuňte ji směrem k zadní části sekačky.
- Pro snížení výšky nože uchopte páku seřízení výšky a posuňte ji směrem k přední části sekačky.

POUŽITÍ

⚠ VAROVÁNÍ

I když se dobře seznámíte s přístrojem, nikdy nepřestávejte být opatrní. Nezapomeňte, že i pouhý okamžik nepozornosti může být příčinou závažného úrazu.

⚠ VAROVÁNÍ

Vždy noste ochranu očí. Nedodržení tohoto bezpečnostního pokynu může způsobit vniknutí cizích těles do očí a vážné poškození zraku.

⚠ VAROVÁNÍ

Používejte pouze náhradní díly a příslušenství doporučené výrobcem. Používání jiných než doporučených dílů a příslušenství může být příčinou závažného zranění.

⚠ VAROVÁNÍ

Před každým použitím zkontrolujte celý nástroj na poškození či chybějící díly a nůž na poškození, nerovnoměrnost nebo nadměrné opotřebení. Obsluha výrobku s poškozenými nebo chybějícími částmi může způsobit vážné zranění.

- Nenaklápějte sekačku trávy při spuštění zařízení nebo zapínání motoru, pokud není nutné pro nastartování sekačku naklopit. V tomto případě nenaklápějte více, než je nutné a zvedejte pouze část, která je směrem od obsluhy.
- Nestartujte motor, když stojíte před výsypným žlabem.
- Nemějte své ruce nebo nohy v blízkosti nebo pod rotujícími díly. Vždy se držte opodál od vyhazovacích dvířek.

Pro úplné pokyny k nabíjení viz návod k obsluze pro vaše akumulátorové moduly a modely nabíječek uvedených v části technická data.

Čeština (Překlad z originálních pokynů)

PRO INSTALACI AKUMULÁTOROVÉHO MODULU

Viz obrázek 8.

- Nadzvedněte a držte nahoře kryt pro baterii.
- Vložte akumulátor do pozice pro akumulátor v sekačce.
- Ujistěte se, že uvolňovací tlačítko akumulátoru zaklapne na místě a že je akumulátor plně usazen a zajištěn v sekačce před zahájením provozu sekačky.
- Zasuňte bezpečnostní klíč baterie.
- Pokud nehodláte stroj okamžitě používat, bezpečnostní klíč baterie nevkládejte.
- Zavřete dvířka.

PRO VYJMUTÍ AKUMULÁTORU

Viz obrázek 8.

- Uvolněte páku napájení pro zastavení stroje.
- Otevřete dvířka pro přístup k přihrádce pro baterii.
- Vyjměte bezpečnostní klíč baterie.
- Stiskněte tlačítko uvolnění akumulátoru na sekačce. To způsobí, že bude akumulátor mírně vyčnívat ven z nástroje.
- Vyjměte ze sekačky akumulátor.

STARTOVÁNÍ/ZASTAVENÍ SEKAČKY

Viz obrázek 9.

- Podržte stisknuté bezpečnostní aretovací tlačítko.
- Jestliže chcete nastartovat sekačku, vytáhněte páčku ovládání napájení směrem nahoru k rukojeti a uvolněte bezpečnostní aretovací tlačítko.
- Pro zastavení sekačky uvolněte ovládací páku spínače.

POZNÁMKA: Pronikavý zvuk a jiskření se může objevit při zastavování elektromotoru. To je normální.

SEČENÍ S POJEZDEM

Viz obrázek 9.

Zapnutí funkce pojezdu:

- Otevřete kryt baterie.
- Vložte baterii.
- Zasuňte bezpečnostní klíč baterie.
- Zatáhněte páku pojezdu nahoru, aby se setkala s rukojetí.

Vypnutí funkce pojezdu:

- Uvolněte páku pojezdu.

Nastavení rychlosti pojezdu:

- Zatáhněte páčku ovladače rychlosti pojezdu k symbolu králíka, chcete-li rychlost zvýšit.
- Zatlačte páčku ovladače rychlosti pojezdu k symbolu želvy, chcete-li rychlost snížit.

TIPY K SEČENÍ

- Ujistěte se, že je trávník bez kamenů, dříví, drátů a jiných předmětů, které by mohly poškodit nůž sekačky nebo motor. Nesečte nad hraničními sloupky nebo jinými kovovými tyčemi. Takové předměty mohou být vyhozeny sekačkou v jakémkoliv směru a mohou způsobit vážná poranění obsluze nebo jiným.
- Pro zdravý trávník vždy posekejte třetinu nebo méně celkové výšky trávy.
- Nesekejte mokrou trávu, ta se lepí na spodní stranu dna a brání správnému shromažďování nebo vysypávání odřezků trávy.
- Mladá nebo silná tráva vyžaduje vyšší výšku sečení nebo užší sekačí cestu.
- Čištěte spodní stranu dna sekačky po každém použití, abyste odstranili zbytky trávy, listí, nečistot a nashbíraných zbytků.
- Když sečete vysokou trávu, snižte rychlost chůze pro zefektivnění sečení a správné vysypávání odřezků.

POZNÁMKA: Vždy před čištěním sekačku zastavte, aby se nože úplně zastavily a vyjměte bezpečnostní klíč baterie.

OBSLUHA NA SVAHU

⚠ UPOZORNĚNÍ

Svahy jsou hlavním faktorem souvisejícím s uklouznutím a pádem, který může mít za následek vážné poranění. Obsluha na svazích vyžaduje zvláštní opatření. Pokud se na svazích cítíte nejistí, nesečte. Pro vaši bezpečnost se nepokoušejte séct na svazích větších než 15 stupňů.

⚠ UPOZORNĚNÍ

Při práci ve svahu nastavte nízkou rychlost pojezdu.

- Na strmých svazích sečte po vrstevnicích, nikdy ve směru nahoru a dolů. Je třeba opatření, když měníte směr na svahu.
- Vyhledávejte otvory, vyjeté koleje, kameny, skryté předměty nebo vyvýšeniny, které mohou způsobit zakopnutí nebo uklouznutí. Vysoká tráva může skrývat překážky. Odstraňte všechny předměty, například kameny, větve, atd., které se mohou vymrštit od sekačičího nože.

Čeština (Překlad z originálních pokynů)

- Vždy zabezpečte své pevné postavení. Uklouznutí a pád může mít za následek těžké ublížení na zdraví. Pokud cítíte nejistotu v rovnováze, okamžitě uvolněte páku napájení.
- Nesečte v blízkosti prudkých svahů, příkopů nebo hrází; mohly byste ztratit pevné postavení a rovnováhu.

VYPRAZDNĚNÍ SBĚRNÉHO VAKU

Viz obrázek 10.

- Zastavte sekačku a nechte nůž, aby se zcela zastavil, pak vyjměte bezpečnostní klíč baterie.
- Nadzvedněte zadní dvířka.
- Uchopte sběrný vak za jeho rukojeť a vytáhněte jej ze sekačky.
- Vyprázdněte lapač trávy.
- Nadzvedněte zadní dvířka a znovu nainstalujte sběrný vak dle popisu výše v návodu.

poškození, chybějící či uvolněné díly, například šrouby, čepy, víka, atd.

Bezpečně utáhněte všechny upevňovací a kryty, pokud některé díly chybí nebo jsou viditelně poškozeny, nepracujte s tímto výrobkem, dokud se součásti nevymění. Pro pomoc prosím zavolejte zákaznický servis Greenworks tools. Vyhněte se používání rozpouštědel, když čistíte díly. Mnoho plastů je citlivých na poškození různými typy komerčních rozpouštědel a mohou být jimi poškozeny. Používejte čisté utěrky pro odstranění nečistot, prachu, oleje, mastnoty, atd.

ÚDRŽBA

⚠ VAROVÁNÍ

Před prováděním jakékoli údržby se ujistěte, že baterie sekačky a bezpečnostní klíč baterie jsou vyjmuty, aby nedošlo k nechtěnému spuštění a případnému vážnému zranění.

⚠ VAROVÁNÍ

Chcete-li zabránit náhodnému spuštění nebo neoprávněnému použití, akumulátorová sekačka je vybavena vyjímatelným bezpečnostním klíčem baterie. Jestliže chcete sekačku zcela vyřadit z provozu, bezpečnostní klíč baterie by měly být vyjmut a ponechán na místě vzdáleném od sekačky a mimo dosah dětí.

⚠ VAROVÁNÍ

Pokud opravujete, používejte pouze předepsané náhradní díly. Použití jakýchkoli jiných součástí může vytvořit nebezpečí nebo příčinu poškození výrobku.

⚠ VAROVÁNÍ

Udržujte motor a příhrádku pro baterii bez nadměrné mastnoty, trávy či listí. toto pomáhá snižovat nebezpečí požáru.

⚠ VAROVÁNÍ

Nástroj nečistěte tlakovou vodou nebo pod tekoucí vodou, snižíte tak riziko nebezpečí a případného poškození.

⚠ VAROVÁNÍ

Skladujte pouze v interiéru. Při čištění nebo při skladování nástroje vždy nejprve vyjměte baterii ze sekačky a nabíječky.

⚠ VAROVÁNÍ

Nikdy nenechte přijít brzdové kapaliny, petrolej, výrobky založené na petroleji, pronikavé oleje, atd. do kontaktu s plastovými součástmi. Chemikálie mohou poškodit, oslabit nebo zničit plast, což může mít za následek vážná poranění osob..

Často kontrolujte všechny matice a šrouby na správné utažení, zajistí se tak bezpečný provoz sekačky.

Sekačku občas utírejte suchou utěrkou. Nepoužívejte vodu.

MAZÁNÍ

Veškerá ložiska nářadí byla výrobcem namazána dostatečným množstvím vysoce účinného maziva, které stačí na celou dobu životnosti nářadí při normálních podmínkách používání. Žádné další mazání ložisek není nutné.

⚠ VAROVÁNÍ

Nemazte žádné části kol. Mazivo může způsobit selhání dílů kola během používání, které by mohlo vést k poškození sekačky a/nebo vážnému poranění obsluhy.

VÝMĚNA SEKACÍHO NOŽE

Viz obrázek 11-12.

OBCENÁ ÚDRŽBA

Před každým použitím zkontrolujte celý nástroj na

Čeština (Překlad z originálních pokynů)

POZNÁMKA: Vždy používejte pouze přípustné náhradní nože. Vyměňujte opotřebované nebo poškozené nože a šrouby, abyste zachovali rovnováhu.

- Zastavte motor a vyjměte bezpečnostní klíč baterie. Nechejte nůž zcela zastavit.
- Vyměňte akumulátorový modul.
- Otočte sekačku na její bok.
- Dřevěný klín vložte mezi nůž a dno sekačky pro zabránění otáčení nože.
- Uvolněte šroub nože otáčením proti směru chodu hodinových ručiček (viděno zespodu sekačky) pomocí 27 mm klíče nebo nástavce (nepřibaleno).
- Sundejte šroub nože a nůž.
- Vložte na hřídel nový nůž. Zajistěte, aby byl nůž správně usazen na hřideli procházející středem otvoru pro nůž a aby dva kolíky nože na ventilátoru byly vloženy do svých příslušných otvorů na noži. Ujistěte se, že je nainstalován tvarovanými konci ukazujícími nahoru směrem ke dnu sekačky a ne dolů k zemi. Při správném osazení musí být nůž plochou k ventilátoru.
- Našroubujte šroub nože na hřídel a utáhněte rukou.
- Utáhněte matici nože pomocí momentového klíče (nedodán), aby se zajistilo, že bude matice správně utažen. Doporučený moment pro matici nože 62.5–71.5 kgf cm (350-400 in. lb).

OCHRANA ŽIVOTNÍHO PROSTŘEDÍ

- Ochrana životního prostředí musí představovat významný a prioritní aspekt použití stroje ve prospěch občanského spolužití a prostředí, v němž žijeme. Vyvarujte se toho, abyste byli rušivým prvkem ve vztahu s vašimi sousedy.
- Důkladně dodržujte místní normy pro likvidaci obalů, olejů, benzínu, filtrů, opotřebovaných součástí nebo jakéhokoli prvku se silným dopadem na životní prostředí; tyto odpady nesmí být odhozeny do běžného odpadu, ale musí být odděleny a odevzdány do příslušných sběrných středisek, která zajistí recyklaci materiálů.
- Důsledně dodržujte místní předpisy týkající se likvidace materiálu vzniklého sekáním.
- Při vyřazení stroje z provozu jej nenechávejte volně v přírodě, ale obraťte se na sběrné středisko v souladu s platnými místními předpisy.

Čeština (Překlad z originálních pokynů)


ŘEŠENÍ PROBLÉMŮ

Problém	Možná příčina	Řešení
Rukojeť není v poloze.	Šrouby vozíku nejsou správně usazeny.	Seřídte výšku rukojeti a ujistěte se, že šrouby vozíku jsou pevně usazeny.
Sekačka není nastartována.	Akumulátor je téměř vybit.	Nabijte baterie.
	Akumulátor není funkční nebo je vybitý.	Vyměňte baterii.
	Bezpečnostní klíč baterie není vložen.	Zasuňte bezpečnostní klíč baterie.
Sekačka seká trávu nerovnoměrně.	Sekačka je hrubě ovládána nebo je nevyrovnaná nebo sečete nesprávně nastavenou výšku.	Nastavte kola do vyšší úrovně. Všechna kola musí být umístěna ve stejné výšce sečení pro rovnoměrné sečení.
Sekačka správně nemulčuje.	Vlhké odřezky trávy se lepí na spodní stranu stropu.	Před sekáním počkejte, dokud tráva neoschne.
Sekačka se obtížněji tlačí.	Vysoká tráva, zadní část krytu sekačky a nůž uvízly v těžké trávě nebo je výška sečení příliš nízká.	Zvětšete sekací výšku.
Sekačka správně neshrabuje.	Sekací výška je příliš nízká.	Zvětšete sekací výšku.
Sekačka při vysoké rychlosti vibruje.	Nůž je nevyvážený, nerovnoměrně či nadměrně opotřeben.	Vyměňte nůž.
	Hřídel motoru je zkřivena.	Zastavte motor, vytáhněte odpojovací klíč a baterii, odpojte zdroj napájení a prohlédněte na poškození. Před opětovným spuštěním nechejte opravit pověřeným servisním centrem.
Motor se při sečení zastavil.	Sekací výška je příliš nízká.	Zvětšete sekací výšku.
	Baterie vybita.	Nabijte baterie.

Pokud tyto rady nevyřeší váš problém, kontaktujte pověřeného servisního prodejce.

Slovenčina (Preklad z pôvodných inštrukcií)

ŠPECIFIKÁCIE

Kosačka trávy	2502907
Šírka rezu	46 cm
Výška strihania	25 mm - 80 mm
Rýchlosť naprázdno	2800 rpm
Samohybná rýchlosť	0.5-1.5 m/s
Hladina akustického tlaku	LpA :73 dB(A), K:3.0
Nameraná hladina akustického výkonu	LwA :85.5 dB(A)
Úroveň vibrácií	<2.5 m/s ² , K=1.5
Kapacita zberača trávy	52 L
Netto hmotnosť	28 kg
Náhradná čepeľ	2920407
Batéria	Lítium-iónové
Číslo modelu	2918307 / 2918407
Nabíjačka akumulátorov	
Číslo modelu	2918507
Konštrukcia s dvojitou izoláciou	

OPIS

1. Páčka výkonu
2. Ovládací kábel motora
3. Spúšťací gombík
4. Horná rukoväť
5. Spodná rukoväť
6. Páka nastavenia výšky
7. Dvierka priečinka na akumulátor
8. Predné koleso
9. Zadné koleso
10. Zberač trávy
11. Batéria
12. Gumb na ročajú
13. Gumb
14. maticové skrutky
15. Rukoväť zberača trávy
16. Zadné dvierka
17. Zadný vyprázdňovací otvor

18. Tyč dvierok
19. Háčiky
20. Ostrie
21. Hriadeľ motora
22. Ventilátor
23. Vijak rezila
24. Stípkový ostrie
25. Gumb za sprostitev akumulátorja
26. Mulčovací prípojka
27. Odchyľovač bočného vyprázdňovania
28. Bočné vyprázdňovacie dvierka
29. Drevený klát (nedodáva sa)
30. Kľúč (nedodáva sa)
31. Akumulátorový kľúč
32. Páčka samostatného pohonu
33. Ovládacie prvky rýchlosti samostatného pohonu

VAROVANIE

Pri použití akýchkoľvek iných jednotiek akumulátorov vzniká riziko požiaru, úderu elektrickým prúdom alebo poranenia osôb.

OBOZNÁMTE SA S VAŠOU KOSAČKOU TRÁVY

Pozrite si obrázok 1.

Na bezpečné používanie tohto zariadenia je potrebné pochopenie informácií o produkte a informácií v tomto návode na obsluhu, ako aj znalosti úlohy, ktorú plánujete vykonať. Pred použitím tohto zariadenia sa oboznámte so všetkými prevádzkovými funkciami a bezpečnostnými pravidlami.

POČÍTADLO AKUMULÁTORA

Počítadlo akumulátora meria množstvo náboja zostávajúceho v akumulátore.

ZBERAČ TRÁVY

Zberač trávy zhromažďuje odstrižky trávy a zabraňuje ich vyhadzovaniu na trávnik počas kosenia.

PÁKA NASTAVENIA VÝŠKY

Páka nastavenia výšky umožňuje nastavenie reznej výšky.

OVLÁDACÍ KÁBEL MOTORA

Ovládací kábel motora umiestnené na hornej rukoväti kosačky zapína a vypína motor a ostrie.

Slovenčina (Preklad z pôvodných inštrukcií)

SPÍNACÍ KLÚČ

Aby bolo možné kosačku naštartovať, musíte vložiť spinací klúč.

MULČOVACIA PRÍPOJKA

Táto kosačka je vybavená mulčovacou prípojkou, ktorá zakrýva otvor bočného vyprázdňovania, ktorý umožňuje ostriu kosačky rezať a opätovne rezať trávu a dosiahnuť tak jemnejší strih.

ODCHÝLOVAČ BOČNÉHO VYPRÁZDŇOVANIA

Keď je tráva príliš vysoká na mulčovanie alebo ak preferujete bočné vyprázdňovanie, použite odchylovač bočného vyprázdňovania. Odstrižky trávy vytvorené pri použití bočného vyprázdňovacieho odchylovača sú znateľne väčšie ako odstrižky pri použití mulčovacej prípojky a bočnej mulčovacej dosky.

BOČNÉ VYPRÁZDŇOVACIE DVIERKA

Táto kosačka je vybavená dvierkami, ktoré zakrývajú otvor bočného vyprázdňovania, ktorý umožňuje ostriu kosačky rezať a opätovne rezať trávu a dosiahnuť tak jemnejší strih, ak je namontovaná mulčovacia prípojka alebo inak posúva odstrižky trávy do zberného vrečka.

MONTÁŽ

ROZBALOVANIE

Tento produkt vyžaduje montáž.

- Opatrne vyberte zariadenie a všetko príslušenstvo z balenia. Skontrolujte, či sa v balení nachádzajú všetky položky uvedené v zásielkovom zozname.

VAROVANIE

Nepoužívajte tento produkt, ak sú nejaké diely zo zásielkového zoznamu už namontované na produkte pri rozbalení. Diely v tomto zozname nie sú namontované na zariadení výrobcom a vyžadujú inštaláciu zákazníkom. Používanie produktu, ktorý mohol byť nesprávne zmontovaný, môže zapríčiniť vážne osobné poranenie.

- Dôkladne skontrolujte zariadenie, či počas prepravy nedošlo k žiadnemu porušeniu alebo poškodeniu.
- Baliaci materiál nevyhadzujte, kým zariadenie dôkladne neskontrolujete a úspešne nevyskúšate.
- V prípade, že sú niektoré diely poškodené alebo chýbajú, požiadajte o pomoc servis zákazníkom spoločnosti Greenworks tools.

ZÁSIELKOVÝ ZOZNAM

- Kosačka trávy
- Akumulátorový klúč
- Zberač trávy
- Mulčovacia prípojka
- Odchylovač bočného vyprázdňovania
- Návod na obsluhu
- Tlačidlá
- Maticové skrutky

VAROVANIE

Ak nejaké predmety chýbajú alebo sú viditeľne poškodené, nepracujte s týmto strojom, kým sa súčasti nevymenia. Pri používaní produktu s poškodenými alebo chýbajúcimi dielmi by mohlo dôjsť k vážnemu osobnému poraneniu.

VAROVANIE

Nepokúšajte sa modifikovať produkt, alebo vytvoriť príslušenstvo, ktoré nie je odporúčané pre použitie s týmto produktom. Akékoľvek úpravy alebo prestavby môžu mať za následok nebezpečné podmienky vedúce k vážnym osobným poraneniam.

VAROVANIE

Nevkladajte akumulátorový klúč, kým nedokončíte montáž a nie ste pripravení na kosenie. V opačnom prípade by mohlo dôjsť k neúmyselnému spusteniu a závažnému osobnému poraneniu.

VAROVANIE

Aby nedošlo k neúmyselnému spusteniu a následnému závažnému poraneniu osôb, pri montáži dielov vždy odstráňte jednotku akumulátora zo zariadenia.

VAROVANIE

Nikdy nepracujte s kosačkou, pokiaľ nemá nasadené a funkčné príslušné bezpečnostné zariadenia. Kosačku nikdy nepoužívajte, ak sú ochranné prvky a zariadenia poškodené. Obsluha stroja s chýbajúcimi alebo vadnými súčiastkami môže spôsobiť vážne poranenia.

NAMESTITEV IN PRILAGAJANJE SPODNJEGA ROČAJA

Pozrite si obrázok 2.

- Povlecite gumba na ročaju in ju obrnite za 90° na obeh

Slovenčina (Preklad z pôvodných inštrukcií)

straneh, da spustíte ročaja na obeh straneh.

- Spodnja ročaja premaknite v delovni položaj. Ročaj lahko dvignete ali spustite do položaja, ki vam ustreza. Izbirate lahko med 3 položaji. Sprostite gumba na ročaju, da se spodnji ročaj zaskoči na mestu.

OPOMBA: Za pravilno montažo preverite, ali sta obe strani na istem položaju.

INŠTALÁCIA HORNEJ RUKOVÄTE

Pozrite si obrázok 3.

- Poravnajte luknje za montažo na zgornjem in spodnjem ročaju. Vstavite vijake z nizko polokroglo glavo in jih privijte z gumbi. Postopek ponovite na drugi strani.

INŠTALÁCIA ZBERAČA TRÁVY

Pozrite si obrázok 4.

- Nadvihnite zadné dvierka pre vyprázdňovanie
- Lovílnik trave dvignite za ročaj in ga namestíte pod zadnja vrata za izmet, tako da se kljukice na lovílniku trave usedejo v palico na vratih.
- Spustíte zadnja vrata za izmet. Pri pravilni namestitvi kljukice na lovílniku trave segajo iz odptin na zadnjih vratih za izmet.

INŠTALÁCIA MULČOVACEJ PRÍPOJKY

Pozrite si obrázok 5.

- Nadvihnite a pridržte zadné vyprázdňovacie dvierka.
- Uchopte mulčovaciu prípojku za jej rukoväť a zasuňte pod miernym uhlom podľa vyobrazenia.
- Zatačte mulčovaciu prípojku bezpečne na miesto.
- Spustíte zadné vyprázdňovacie dvierka.

INŠTALÁCIA ODCHYĽOVAČA VYPRÁZDŇOVANIA

Pozrite si obrázok 6.

POZNÁMKA: Pri použití odchyľovača bočného vyprázdňovania neinstalujte zberač trávy. Mulčovacia prípojka by mala ostať namontovaná.

- Nadvihnite zadné dvierka bočné vyprázdňovacie dvierka.
- Zarovnajtie háčiky na odchyľovači s tyčkou pántu na rube dvierok.
- Spúšťajte odchyľovač, kým sa háčiky nezaistia na tyčke pántu mulčovacích dvierok.
- Uvoľnite odchyľovač a bočné vyprázdňovacie dvierka.

NASTAVENIE VÝŠKY NOŽA

Pozrite si obrázok 7.

Pri preprave nastavte kolesá kosačky na najnižšiu sekáciu

úroveň. Pred prvým použitím kosačky nastavte sekáciu polohu na výšku ktorá je najvhodnejšia pre váš trávnik. Priemerný trávnik by mal v studených mesiacoch mať 38 mm až 51 mm a v teplejších mesiacoch 51 mm až 70 mm.

Nastavenie výšky ostria

- Pre zdvihnutie výšky noža uchopte páku nastavenia výšky a posuňte ju smerom k zadnej časti kosačky.
- Pre zníženie výšky noža uchopte páčku nastavenia výšky a posuňte ju smerom k prednej časti kosačky.

PREVÁDZKA

VAROVANIE

Nedovoľte, aby rutina oslabilu vašu opatnosť. Zapamätajte si, že aj v ľahostajnosti aj zlomok sekundy môže viesť k vážnym zraneniam.

VAROVANIE

Vždy používajte chrániče zraku. Ak tak neurobíte, môže to spôsobiť, že úlomky odletia do vašich očí, čo môže spôsobiť vážne zranenie.

VAROVANIE

Nepoužívajte nástavce, alebo príslušenstvo, ktoré nie je odporúčené pre použitie s týmto produktom. Takéto konanie môže viesť k nebezpečným podmienkam a následným vážnym zraneniam.

VAROVANIE

Pred použitím vždy skontrolujte kosačku – chýbajúce alebo poškodené diely a poškodené ostrie, nerovnomerné alebo nadmerné opotrebenie. Pri používaní produktu s poškodenými alebo chýbajúcimi dielmi by mohlo dôjsť k vážnemu osobnému poraneniu.

- Nenakláňajte kosačku trávy pri štartovaní alebo zapínaní motora, pokiaľ kosačka trávy nemá byť pri štartovaní naklonená. V takom prípade ho nenakláňajte viac ako je absolútne nevyhnutné a zdvíhajte len časť, ktorá ďalej od obsluhujúcej osoby.
- Neštartujte motor, ak stojíte pred vyvrhávacím otvorom.
- Nedávajte ruky alebo nohy do blízkosti rotujúcich dielov ani pod ne. Nikdy neblokujte vyprázdňovací otvor.

Kompletné pokyny na nabíjanie nájdete v Návode na obsluhu pre jednotky akumulátorov a nabíjačky uvedené

Slovenčina (Preklad z pôvodných inštrukcií)

v časti so špecifí káciami.

INŠTALÁCIA JEDNOTKY AKUMULÁTORA

Pozrite si obrázok 8.

- Nadvihnite a pridržte kryt priečinka na akumulátory.
- Akumulator porovnajte z nosičom akumulátora na kosilnice.
- Pred uporabo preveríte, ali se je gumb za sprostitev akumulátora zaskočil na mestu in ali je akumulátor povsem vstavljen in pritrjen v kosilnicu.
- Vložte akumulátorový kľúč.
- Ak sa zariadenie nebude bezprostredne používať, nevkladajte akumulátorový kľúč.
- Zatvorte dvierka.

VYBRATIE JEDNOTKY AKUMULÁTORA

Pozrite si obrázok 8.

- Uvoľníte páčku výkonu a zariadenie sa zastaví.
- Otvorte dvierka priečinka na akumulátor, dostanete sa k priečinku na akumulátor.
- Vyberte akumulátorový kľúč.
- Pritisnite gumb za sprostitev akumulátora na kosilnici. Pri tem bo baterija niekoľko poľadala iz orodja.
- Vyberte jednotku akumulátora zo zariadenia.

ŠTARTOVANIE A ZASTAVENIE KOSAČKY

Pozrite si obrázok 9.

- Stlačte a podržte poistné uvoľňovacie tlačidlo.
- Potiahnutím páčky nahor k rukoväti spustíte kosačku a uvoľníte poistné uvoľňovacie tlačidlo.
- Kosačku zastavíte uvoľnením riadiacej páčky spínača.

POZNÁMKA: Ako elektrický motor spomaľuje, môže byť počuteľný vysoký zvuk a dôjsť k iskreniu. Ide o normálny jav.

KOSENIE SO SAMOSTATNÝM POHONOM

Pozrite obrázok 9.

Aktivovanie funkcie samostatného pohonu:

- Otvorte dvierka priečinka na akumulátor.
- Vložte akumulátor.
- Vložte akumulátorový kľúč.
- Potiahnite samostatného pohonu, aby sa dostala k rukoväti.

Deaktivovanie funkcie samostatného pohonu:

- Uvoľníte páčku samostatného pohonu.

Nastavenie rýchlosti funkcie samostatného pohonu:

- Potiahnutím páčky ovládania rýchlosti samostatného pohonu smerom k značke zajaca zvýšite rýchlosť.
- Potlačením páčky ovládania rýchlosti samostatného

pohonu smerom k značke korytnačky znížite rýchlosť.

TIPY NA KOSENIE

- Skontrolujte, či sa v kosačke nenachádzajú kamene, paličky, dróty či iné predmety, ktoré by mohli poškodiť ostria alebo motor kosačky trávy. Nekoste nad vymeriavacím kolímkmi či inými kovovými stípkami. Takéto predmety môžu byť vymrštené kosačkou ktorýmkoľvek smerom a môžu spôsobiť vážne poranenia obsluhu alebo okolostojacim osobám, alebo môžu spôsobiť materiálne škody.
- Ak chcete mať zdravý trávnik, vždy strihajte maximálne jednu tretinu celkovej dĺžky trávy.
- Nekoste mokrú trávu, tá sa lepí na spodnú stranu dna a bráni správne zberaniu alebo vysypávaniu odrezkov trávy.
- Nová alebo hustá tráva môže vyžadovať užší rez alebo vyššiu reznú výšku.
- Po každom použití vyčistíte spodnú stranu dna kosačky aby ste odstránili zbytky trávy, lístia, nečistôt a nazbierané zvyšky.
- Ak kosíte vysokú trávu, znížte rýchlosť chôdze pre zefektívnenie kosenia a správne vysypávanie odrezkov.

POZNÁMKA: Pred čistením pod kosačkou vždy zastavte kosačku, počkajte, kým sa čepele úplne nezastavia a vyberte akumulátorový kľúč.

OBSLUHA NA SVAHU

⚠ VAROVANIE

Svahy sú hlavným faktorom pri pokľznutiach a pádoch, ktoré môžu mať za následok veľmi vážne poranenia. Obsluha na svahoch si vyžaduje zvýšenú opatrnosť. Ak sa na svahu cítite neisto, nekoste tam. Nikdy sa nesnažte kosiť na svahoch so sklonom väčším ako 15 stupňov.

⚠ VAROVANIE

Pri pohybe hore svahom udržiavajte samostatný pohon na nízkych otáčkach.

- Na strmých svahoch koste po vrstevniciach, nikdy nie hore a dolu svahom. Ak meníte smer, buďte veľmi opatrní.
- Vyhľadávajte otvory, vyjazdené kolaje, kamene, skryté predmety alebo vyvýšeniny, ktoré môžu spôsobiť zakopnutie alebo pokľznutie a vyhňte sa im. Vysoká tráva môže skrývať prekážky. Odstráňte všetky predmety, napríklad kamene, konáre apod., ktoré môžu byť vymrštené sekacím nožom.

Slovenčina (Preklad z pôvodných inštrukcií)

- Vždy majte pevnú oporu nôh. Klúznutie a pád môžu mať za následok ťažké ublíženie na zdraví. Ak cítite, že stratíte rovnováhu, ihneď uvoľnite páčku výkonu.
- Nikdy nekeste v blízkosti prudkých svahov, priekop alebo hrádzí, mohli by ste stratiť pevný postoj a rovnováhu.

VYPRÁZDŇOVANIE ZBERAČA TRÁVY

Pozrite si obrázok 10.

- Zastavte kosačku, počkajte, kým sa čepele úplne nezastavia a vyberte akumulátorový kľúč.
- Nadvihnite zadné dvierka.
- Nadvihnite zberač trávy za jeho rukoväť a vyberte ho z kosačky.
- Vyprázdňte zberný kôš.
- Nadvihnite zadné dvierka a znova namontujte zberač trávy podľa popisu uvedeného vyššie v tejto príručke.

skrutky, matice, maticové skrutky, viečka a pod.

Bezpečne utiahnite všetky upínadlá a viečka a nepracujte s produktom, kým všetky chýbajúce alebo poškodené diely nevymeníte. O pomoc požiadajte servis zákazníkom spoločnosti Greenworks tools. Pri čistení plastových dielov nepoužívajte rozpúšťadlá. Vela plastov je citlivých na poškodenie rôznymi typmi komerčných rozpúšťadiel a môžu byť nimi poškodené. Na odstránenie špiny, prachu, oleja, maziva a pod. použite čisté tkaniny.

VAROVANIE

Aby sa znížilo riziko poškodenia a nebezpečenstva, nikdy nečistite nástroj s tlakovou umývačkou alebo pod tečúcou vodou.

VAROVANIE

Skladujte len v interiéri. Pri čistení alebo ukladaní náradia vždy vyberte batériu z kosačky a nabíjačky.

ÚDRŽBA

VAROVANIE

Predtým, ako vykonáte akúkoľvek údržbu, vždy vyberte akumulátor kosačky a akumulátorový kľúč, aby nedošlo k neúmyselnému spusteniu a možným závažným poraneniam osôb.

VAROVANIE

Aby nedošlo k neúmyselnému spusteniu alebo neoprávnenému používaniu, akumulátorová kosačka je vybavený odoberateľným bezpečnostným kľúčom. Ak chcete kosačku úplne deaktivovať, vyberte bezpečnostný kľúč a odložte ho ďalej od kosačky a mimo dosahu detí.

VAROVANIE

Predtým, ako vykonáte akúkoľvek údržbu, vždy odstráňte akumulátor kosačky a rozpojovací kľúč, aby nedošlo k neúmyselnému spusteniu a možným závažným poraneniam osôb.

VAROVANIE

Dbajte na to, aby v priečinku na motor a akumulátor neostávala tráva, listy alebo nadmerné množstvo mastnoty. Znížite tak riziko požiaru.

VAROVANIE

Dbajte na to, aby do kontaktu s plastovými dielmi nikdy neprišli do kontaktu brzdové kvapaliny, benzín, ropné produkty, prenikavé oleje a pod. Chemikálie môžu poškodiť, oslabiť či zničiť plast, čo môže spôsobiť závažné osobné poranenie.

Pravidelne a často kontrolujte všetky matice a skrutky na ich správne utiahnutie, zaistiť sa tak bezpečná prevádzka kosačky.

Občas kosačku vyutierajte suchou utierkou. Nepoužívajte vodu.

MAZANIE

Všetky ložiská náradia boli výrobcom namazané dostatočným množstvom vysokoúčinného maziva, ktoré vystačí na celú dobu životnosti kosačky pri normálnych podmienkach používania. Žiadne ďalšie mazanie ložísk nie je potrebné.

VAROVANIE

Nemazajte žiadne časti kolies. Mazanie môže spôsobiť, že komponenty kola pri používaní prestanú fungovať, čo by mohlo viesť k závažnému poraneniu osôb a poškodeniu kosačky alebo majetku.

VŠEOBECNÁ ÚDRŽBA

Pred každým použitím skontrolujte celý produkt, či nie je poškodený, niečo nechýba a či nemá uvoľnené diely ako

VÝMENA SEKACIEHO NOŽA

Pozrite si obrázok 11-12.

POZNÁMKA: Používajte len autorizované náhradné

Slovenčina (Preklad z pôvodných inštrukcií)

ostria. Opatrebované alebo poškodené ostria a maticové skrutky vymieňajte v súpravách, aby sa zachovalo vyváženie.

- Zastavte motor a vyberte akumulátorový kľúč. Počkajte, kým sa ostrie úplne nezastaví.
- Vyberte jednotku akumulátora.
- Otočte kosačku na bok karburátorom smerom hore.
- Medzi nôž a dno kosačky vložte drevený klin aby ste zabránili otáčaniu noža.
- Odvítajte vijak rezila, tako da ga zavrtíte v nasprotni smeri urinega kazalca (če gledate z dna kosilnice) s 27-milimetrskim klučcem ali natičnim klučcem (ni priložen).
- Odstranite vijak rezila in rezilo.
- Novo rezilo položite na os. Prepričajte se, da je rezilo ustrezno nameščeno, tako da se os pomika skozi luknjo osrednjega rezila in dva nastavka za rezila na ventilatorju, vstavljena v ustrezni luknji na rezilu. Preverite, ali je nameščen tako, da zaobljena konca kažeta navzgor proti vrhu kosilnice in ne navzdol proti tlom. Če je rezilo pravilno nameščeno, mora biti vzporedno z ventilatorjem.
- Vijak rezila navijte na os in ga ročno privijte.
- Uťahnite maticu ostria v smere pohybu hodinových ručiček pomocou momentového kľúča (nie je súčasťou balenia), aby bola maticová skrutka správne utiahnutá. Odporúčaný moment pre maticu ostria je 62,5–71,5 kgf cm (350–400 in. lb).

OCHRANA ŽIVOTNÉHO PROSTREDIA

- Ochrana životného prostredia musí predstavovať významný a prioritný aspekt použitia stroja, v prospech civilného občianskeho spolunažívania a prostredia, v ktorom žijeme. Dbajte na to, aby ste používaní stroja nerušili vašich susedov.
- Dôkladne dodržujte miestne normy pre likvidáciu obalov, olejov, benzínu, filtrov, opotrebovaných súčastí alebo akýchkoľvek látok so silným dopadom na životné prostredie; tieto odpadky nesmú byť odhodené do bežného odpadu, ale musia byť separované a odovzdané do príslušných zberných stredísk, ktoré zabezpečia recykláciu materiálov.
- Dôsledne dodržujte miestne predpisy, týkajúce sa materiálu vzniknutého kosením.
- Pri vyradovaní stroja z prevádzky ho nenechávajte voľne v prírode, ale obráťte sa na zberné stredisko v súlade s platnými miestnymi predpismi.

Slovenčina (Preklad z pôvodných inštrukcií)


RIEŠENIE PROBLÉMOV

Problém	Možná príčina	Riešenie
Rukoväť nie je na svojom mieste.	Maticové skrutky vozíka nie sú správne nasadené.	Nastavte výšku rukoväte a skontrolujte, či sú maticové skrutky vozíka správne nasadené.
Kosačka sa nenašartuje.	Akumulátor je takmer vybitý.	Nabite akumulátor.
	Akumulátor je buď nefunkčný alebo sa nedá nabíť.	Vymeňte akumulátor.
	Nie je vložený akumulátorový kľúč.	Vložte akumulátorový kľúč.
Kosačka kosí trávu nerovnomerne.	Trávnik je divoký alebo nevyrovnaný alebo nie je správne nastavená výška strihania.	Posuňte kolieska do vyššej polohy. Aby sa kosačka pohybovala rovnomerne, všetky koliesá musia byť v rovnakej reznej výške.
Kosačka správne nemulčuje.	Mokrú odstrižku trávy sa lepia na spodnú stranu dosky.	Predtým, ako začnete kosiť, počkajte, kým tráva neuschne.
Kosačka sa ťažko tlačí.	Vysoká tráva, zadná časť krytu kosačky a nôž uviazli v ťažkej trávě alebo je výška kosenia príliš nízka	Zdvihnite reznú výšku.
Kosačka správne nevreckuje.	Rezná výška je príliš nízka.	Raise the cutting height.
Kosačka pri vysokej rýchlosti vibruje	Ostrie je nevyvážené, nadmerne alebo nerovnomerne opotrebované.	Znova nasadte ostrie.
	Hriadeľ motora je ohnutý.	Zastavte motor, vyberte rozpojovací kľúč a akumulátor, odpojte zdroj napájania a skontrolujte poškodenie. Pred opätovným spustením nechajte opraviť v autorizovanom servise.
Motor sa pri kosení zastaví.	Rezná výška je príliš nízka.	Zdvihnite reznú výšku.
	Akumulátor je úplne vybitý.	Nabite akumulátor.

Ak tieto riešenia nepomôžu odstrániť problém, obráťte sa na vášho autorizovaného predajcu.

Slovensko (Prevod originalnih navodil)

TEHNIČNI PODATKI

Kosilnica	2502907
Širina reza	46 cm
Višina rezanja	25 mm - 80 mm
Hitrost Mneobremenjenega motorja	2800 rpm
Hitrost lastnega pogona	0.5-1.5 m/s
Raven zvočnega pritiska	LpA :73 dB(A), K:3.0
Izmerjena raven zvočne moči	LwA :85.5 dB(A)
Nivo vibracij	<2.5 m/s ² , K=1.5
Kapaciteta posode za travo	52 L
Neto teža	28 kg
Rezervno rezilo	2920407
Akumulator	Litij-ionski
Številka modela	2918307 / 2918407
Polnilnik baterij	
Številka modela	2918507
Dvojno izolirana konstrukcija	

OPIS

1. Vzvod za vklop/izklop
2. Kabel za nadzor motorja
3. Gumb za zagon
4. Zgornji ročaj
5. Spodnji ročaj
6. Ročica za prilagoditev višine
7. Vrata baterije
8. Sprednje kolo
9. Zadnje kolo
10. Posoda za travo
11. Akumulator
12. Gumb na ročaju
13. Gumb
14. Vijaka
15. Ročaj posode za travo
16. Zadnja vrata
17. Zadnja odprtina za izmet

18. Palica vrat
19. Kljukice
20. Rezilo
21. Motorna gred
22. Ventilator
23. Vijak rezila
24. Nastavki za rezilo
25. Gumb za sprostitvev akumulatorja
26. Drobilni nastavek
27. Stranski defl ektor za izmet
28. Stranska vrata za izmet
29. Kos lesa (ni priložena)
30. Ključ (ni priložena)
31. Ključ baterije
32. Vzvod za samozaganjanje
33. Upravljalni elementi za hitrost pri samozaganjanju

OPOZORILO

Uporaba drugih baterij lahko povzroči požar, električni udar ali telesne poškodbe.

SPozNAJTE SVOJO KOSILNICO

Glejte sliko 1.

Varna uporaba tega izdelka zahteva razumevanje podatkov in informacij na orodju in v tem priročniku za uporabo, poleg tega pa morate poznati tudi delo, ki se ga lotevate. Pred uporabo tega izdelka se seznanite z vsemi funkcijami delovanja in varnostnimi pravili.

MERILNIK BATERIJE

Merilnik baterije meri količino napolnenosti baterije.

POSODA ZA TRAVO

Posoda za travo zbira ostanke trave in preprečuje, da bi jih med košnjo raztresilo prek trate.

ROČICA ZA PRILAGODITEV VIŠINE

Vzvod za nastavitev višine omogoča nastavitev višine rezanja.

KABEL ZA NADZOR MOTORJA

Kabel za nadzor motorja na zgornjem ročaju kosilnice vklopi in izklopi motor in rezilo.

KLJUČ

Najprej morate vstaviti ključ, preden lahko zaženete kosilnico.

Slovensko (Prevod originalnih navodil)

DROBILNI NASTAVEK

Kosilnica je opremljena z drobilnim nastavkom, ki pokriva zadnjo odprtino za izmet, ki rezilu kosilnice omogoča rezanje in ponovno rezanje za bolj f i ne odrezke.

STRANSKI DEFLEKTOR ZA IZMET

Stranski deflektor za izmet na kosilnici uporabite, če je trava previsoka za drobljenje ali če je stranski izmet boljša izbira. Ostanke trave, ki nastanejo pri uporabi stranskega deflektorja za izmet, so vidno večji kot tisti, ki nastanejo pri uporabi drobilnega nastavka ali stranske drobilne plošče.

STRANSKA VRATA ZA IZMET

Kosilnica je opremljena z vrati, ki pokrivajo stransko odprtino za izmet, ki rezilu za kosilnico omogoča rezanje in ponovno rezanje trave za bolj ne odrezke, če je nameščen drobilni nastavek, ali pa odrezke trave usmeri v zbiralno vrečo.

- Gumbi
- Vijaki

⚠ OPOZORILO

Če so deli poškodovani ali manjkajo, izdelka ne uporabljajte, dokler deli niso zamenjani. Če ta izdelek uporabljate s poškodovanimi ali manjkajočimi deli, se lahko resno poškodujete.

⚠ OPOZORILO

Ne skušajte spreminjati izdelka ali ustvarjati priključke, katerih uporabe na tem izdelku ne priporočamo. Vsako tako spreminjanje je zloraba in lahko privede do tveganj, ta pa do hudih osebnih poškodb.

⚠ OPOZORILO

Ključa baterije ne vstavljajte, dokler montaža ni zaključena in preden ste pripravljeni na košnjo. V nasprotnem primeru se naprava lahko po nesreči vključi in povzroči hude osebne poškodbe.

⚠ OPOZORILO

Za preprečitev neželenega zagona, ki lahko povzroči resne telesne poškodbe, pri sestavljanju delov vedno najprej odstranite baterijo.

⚠ OPOZORILO

Kosilnice nikoli ne uporabljajte brez nameščenih ustreznih zaščitnih naprav, ki delujejo. Nikoli ne uporabljajte kosilnice s poškodovanimi varnostnimi napravami. Če tega opozorila ne upoštevate, lahko pride do hudih osebnih poškodb.

NAMESTITEV IN PRILAGAJANJE SPODNJEGA ROČAJA

Glejte sliko 2.

- Povlecite gumba na ročaju in ju obrnite za 90° na obeh straneh, da spustite ročaja na obeh straneh.
- Spodnja ročaja premaknite v delovni položaj. Ročaj lahko dvignete ali spustite do položaja, ki vam ustreza. Izbirate lahko med 3 položaji. Sprostite gumba na ročaju, da se spodnji ročaj zaskoči na mestu.

OPOMBA: Za pravilno montažo preverite, ali sta obe strani na istem položaju.

NAMEŠČANJE ZGORNJEGA ROČAJA

Glejte sliko 3.

MONTAŽA

ODPAKIRANJE

Izdelek je treba sestaviti.

- Izdelek previdno odstranite iz škatle skupaj z njegovimi dodatki. Preverite, ali so priloženi vsi deli, navedeni na pakirnem seznamu.

⚠ OPOZORILO

Izdelka ne uporabljajte, če med razpakiranjem opazite, da je kakršen koli del s pakirnega seznama že sestavljen. Deli na tem seznamu na izdelek niso nameščeni s strani proizvajalca in jih mora namestiti uporabnik. Zaradi uporabe izdelka, ki je neustrezno sestavljen, lahko pride do hudih telesnih poškodb.

- Izdelek temeljito preglejte in se prepričajte, da se med prevozom ni poškodoval ali zlomil.
- Ne odvrzite pakirnega materiala, dokler izdelka temeljito ne pregledate in ga ne začnete uporabljati zadovoljivo.
- Če so katerikoli deli poškodovani ali manjkajo, pokličite servisni center Greenworks tools.

PAKIRNI SEZNAM

- Kosilnica
- Ključ baterije
- Posoda za travo
- Drobilni nastavek
- Stranski deflektor za izmet
- Uporabniški priročnik

Slovensko (Prevod originalnih navodil)

- Poravnajte luknje za montažo na zgornjem in spodnjem ročaju. Vstavite vijake z nizko polokroglo glavo in jih privijte z gumbi. Postopek ponovite na drugi strani.

NAMEŠČANJE POSODE ZA TRAVO

Glejte sliko 4.

- Dvignite zadnja vrata za odstranjevanje.
- Lovilnik trave dvignite za ročaj in ga namestite pod zadnja vrata za izmet, tako da se kljukice na lovilniku trave usedejo v palico na vratih.
- Spustite zadnja vrata za izmet. Pri pravilni namestitvi kljukice na lovilniku trave segajo iz odprtih na zadnjih vratih za izmet.

NAMEŠČANJE DROBILNEGA NASTAVKA

Glejte sliko 5.

- Dvignite in zadržite zadnja vrata za izmet.
- Drobilni nastavek primite za ročaj in ga pod rahlim kotom vstavite, kot je prikazano.
- Drobilni nastavek potisnite tako, da se dobro zatakne.
- Spustite zadnja vrata za izmet.

NAMEŠČANJE STRANSKEGA DEFLEKTORJA ZA IZMET

Glejte sliko 6.

OPOMBA: Ko uporabljate stranski deflektor za izmet, ne namestite posodo za travo. Drobilni nastavek naj ostane nameščen.

- Dvignite stranska vrata za izmet.
- Kljukice na deflektorju poravnajte z zgibno palico na spodnji strani vrat.
- Spustite deflektor, da se kljukice zaskočijo na zgibni palici vrat drobilnika.
- Spustite deflektor in stranska vrata za izmet.

NASTAVLJANJE VIŠINE REZILA

Glejte sliko 7.

Privzeto so kolesa na kosilnici nastavljeni na nizek položaj. Pred prvo uporabo kosilnice nastavite položaj rezila tako, da kar najbolje ustreza vaši travi. Običajno naj bi bila dolžina trave med 38 mm in 51 mm v hladnih mesecih ter med 51 mm in 70 mm v vročih mesecih.

Prilaganje višine rezila

- Za dvig višine rezila primite ročico za prilaganje višine in jo premaknite proti zadnjemu delu kosilnice.
- Za spust višine rezila primite ročico za prilaganje višine in jo premaknite proti sprednjemu delu kosilnice.

DELOVANJE

⚠ OPOZORILO

Ne dovolite si, da bi bili zaradi dobrega poznavanja naprave nepazljivi. Zapravnite si, da lahko že trenutek nepazljivosti povzroči resno poškodbo.

⚠ OPOZORILO

Vedno nosite zaščito za oči. Če tega ne storite, vam lahko v oko prileti predmet in povzroči resno poškodbo.

⚠ WARNING

Ne uporabljajte sestavnih delov ali pribora, ki ga ne priporoča proizvajalec te naprave. Uporaba nepriporočenih sestavnih delov ali pribora lahko povzroči resne telesne poškodbe.

⚠ OPOZORILO

Vedno se prepričajte, da so deli kosilnice in rezilo nepoškodovani, ne manjkajo, so ravni in niso prekomerno obrabljeni. Če ta izdelek uporabljate s poškodovanimi ali manjkajočimi deli, se lahko resno poškodujete.

- Pri zagonu ali vklopu motorja kosilnice ne nagibajte, razen če jo je za zagon treba nagniti. V tem primeru je ne nagnite bolj kot je nujno potrebno in dvignite samo del, ki je odmaknjen od upravljavca.
- Ne zaganjajte motorja, ko stojite pred odprtino za praznjenje.
- Roke in stopala držite stran od vrtečih se delov. Nikoli se ne približujte odprtini za izmet.

Za popolna navodila za polnjenje glejte Navodila za uporabo baterije in polnilcev, ki so naštetih v poglavju Tehnični podatki.

NAMEŠČANJE BATERIJE

Glejte sliko 8.

- Dvignite in držite pokrov baterije privzdignjen.
- Akumulator poravnajte z nosilcem akumulatorja na kosilnice.
- Pred uporabo preverite, ali se je gumb za sprostitve akumulatorja zaskočil na mestu in ali je akumulator povsem vstavljen in pritrjen v kosilnico.
- Vstavite ključ baterije.
- Če naprave ne nameravate uporabiti takoj, ne vstavljajte ključa baterije.
- Zaprite vrata.

Slovensko (Prevod originalnih navodil)

ODSTRANJEVANJE BATERIJE

Glejte sliko 8.

- Spustite vzvod za vklop/izklop, da se izdelek zaustavi.
- Odprite vrata, da odprete prostor za baterijo.
- Odstranite ključ baterije.
- Pritisnite gumb za sprostitvev akumulatorja na kosilnici. Pri tem bo baterija nekoliko pogledala iz orodja.
- Rlz izdelka odstranite baterijo.

ZAGON /ZAUSTAVITEV KOSILNICE

Glejte sliko 9.

- Pritisnite in držite varnostni zaklepni gumb.
- Povlecite ročico za lin navzgor do ročaja, da zaženete kosilnico, in spustite varnostni zaklepni gumb.
- Vzvod za vklop/izklop povlecite navzgor proti ročaju, da zaženete kosilnico, nato pa izpustite gumb.
- Za zaustavitev kosilnice krmilno ročico spustite.

OPOMBA: Visok zvok in iskrenje se lahko pojavita, ko električni motor zmanjšuje obrate. To je običajno.

KOŠNJA S SAMOZAGANJANJEM

Glejte sliko 9.

Vklop funkcije samozagananja:

- Odprite pokrovček predala za baterijo.
- Vstavite baterijo.
- Vstavite ključ baterije.
- Vzvod za samozagananje povlecite navzgor proti ročaju.

Izklop funkcije samozagananja:

- Spustite vzvod za samozagananje.

Za nastavitve hitrosti pri funkciji samozagananja:

- Povlecite ročico za prilagodljivo nastavljanje hitrosti proti simbolu zajca, da povečate hitrost.
- Potisnite ročico za prilagodljivo nastavljanje hitrosti proti simbolu želve, da zmanjšate hitrost.

NAMIGI ZA KOŠNJO

- Prepričajte se, da na trati ni kamnov, palic, žic ali drugih predmetov, ki bi lahko poškodovali rezila kosilnice ali motor. Ne kosite prek količkov, ki označujejo posest, ali drugih kovinskih količkov. Take predmete lahko kosilnica izvrže v katero koli smer, s tem pa lahko upravitelju in ostalim povzroči resne telesne poškodbe.
- Za zdravo trato vedno odrežite eno tretjino ali manj celotne dolžine trave.
- Ne kosite mokre trave, slednja se prime na spodnjo stran kosilnice in prepreči pravilno izstopanje

odrezkov.

- Za košenje nove ali goste trave boste morda morali zožati rezanje ali zvišati višino rezanja.
- Po vsaki uporabi spodnjo stran kosilnice očistite odrezkov, listov, umazanije in ostalih nakopičenih snovi.
- Kadar kosite dolgo travo, hodite počasneje in s tem dovolite učinkovitejšo košnjo in ustrezen izmet odrezkov.

OPOMBA: Pred čiščenjem pod kosilnico, kosilnico vedno ustavite, počakajte, da se rezila popolnoma ustavijo, in odstranite ključ baterije.

UPORABA NA POBOČJIH

⚠ OPOZORILO

Pobočja so pomembna predvsem zaradi tega, ker vam na njih lahko spodrsne, zaradi česar se lahko hudo poškodujete. Uporaba na pobočjih zahteva še posebno previdnost. Če se na pobočjih ne počutite dobro, jih ne kosite. Zaradi vaše varnosti ne poskušajte kositi pobočij, ki imajo naklon, večji od 15 stopinj.

⚠ OPOZORILO

Med košnjo z naklonom navzgor ohranite lastni pogon pri nizki hitrosti.

- Vedno kosite prečno po pobočjih, nikoli gor in dol. Pri menjavanju smeri na pobočjih bodite še posebej previdni.
- Bodite pozorni na luknje, brazde, kamenje, skrite predmete ali izbokline, zaradi katerih vam lahko spodrsne oz. se lahko spotaknete. Visoka trava lahko skrrije predmete. Odstranite vse predmete, kot so kamni, veje ipd., ob katere se lahko spotaknete oz. katere lahko rezilo nevarno izvrže.
- Vedno stojite trdno. Zdrs in padec lahko povzroči hude telesne poškodbe. Če vam zmanjkuje ravnotežja, takoj spustite vzvod za vklop/izklop.
- Ne pomikajte se poleg prepadov, jarkov ali strmih pobočij; lahko izgubite ravnotežje.

PAZRNJENJE POSODE ZA TRAVO

Glejte sliko 10.

- Ustavite kosilnico, počakajte, da se rezilo popolnoma ustavi, in odstranite ključ baterije.
- Dvignite zadnja vrata.
- Posodo za travo dvignite za ročaj, da jo odstranite iz kosilnice.
- Odstranite odrezke trave.

Slovensko (Prevod originalnih navodil)

- Dvignite zadnja vrata in ponovno namestite posodo za travo, kot je opisano v tem priročniku.

VZDRŽEVANJE

⚠ OPOZORILO

Preden se lotite vzdrževanja, se prepričajte, da ste odstranili baterijo kosilnice in ključ baterije ter se izognite nenamernemu zagonu kosilnice in morebitnim hudim telesnim poškodbam.

⚠ OPOZORILO

Za preprečitev nenamernega zagona ali nepooblaščne uporabe je brezžična kosilnica opremljena z odstranljivim varnostnim ključem. Da popolnoma onemogočite kosilnico, morate varnostni ključ odstraniti in hraniti stran od kosilnice ter izven dosega otrok.

⚠ OPOZORILO

Pri servisiranju uporabljajte le odobrene nadomestne dele. Uporaba drugih delov lahko povzroči nevarnost ali škodo na izdelku.

⚠ OPOZORILO

V motorju in prostoru baterije ne sme biti trave, listja ali odvečnih maščob. To bo zmanjšalo nevarnost požara.

SPLOŠNO VZDRŽEVANJE

Pred vsako uporabo izdelke pregledajte, da ni poškodovan, da ni manjkajočih ali slabo pritrjenih delov (vijaki, matice, pokrovčki, itn.).

Varno pritrdite vsa pritrdila in pokrovčke in izdelka ne uporabljajte, dokler ne zamenjate vseh manjkajočih ali poškodovanih delov. Za pomoč pokličite servisni center Greenworks tools. Pri čiščenju plastičnih delov se izogibajte topilom. Ve čina plastičnih delov je zelo dovzetna za poškodbe s strani različnih vrst raztopil. Za odstranjevanje prahu, umazanije, olja, masti itd. uporabite čiste krpe.

⚠ OPOZORILO

Za čim manjše tveganje škode in nevarnosti, orodja nikoli ne čistite s tlačnim čistilnikom ali pod tekočo vodo.

⚠ OPOZORILO

Shranjujte samo v notranjih prostorih. Vedno odstranite baterijo iz kosilnice in polnilnika, če boste orodje očistili ali shranili.

⚠ OPOZORILO

Zavorna tekočina, gorivo, izdelki na osnovi nafte, prodirajoče olje ipd. nikoli ne smejo priti v stik s plastičnimi deli. Kemikalije lahko plastiko poškodujejo, oslabijo ali uničijo, kar lahko povzroči hude telesne poškodbe.

Redno preverjajte privitost matic in vijakov ter tako zagotovite varno uporabo kosilnice.

Občasno obrišite kosilnice s suho krpo. Ne uporabljajte vode. Ne uporabljajte vode.

MAZANJE

Vsi ležaji v tem izdelku so podmazani z zadostno količino visokokakovostnega maziva, ki ob normalnih delovnih pogojih zdrži celotno življenjsko obdobje izdelka. Zato dodatno mazanje ni potrebno.

⚠ OPOZORILO

Kadar izvajate vzdrževalna dela na rezilu, si vedno roke zaščitite z močnimi rokavicami, lahko pa robove rezil prekrijete s krpo oz. podobnim materialom. Če se dotaknete rezila, lahko to povzroči hude telesne poškodbe.

⚠ OPOZORILO

Ne mažite delov kolesa. Mazanje lahko povzroči odpoved kolesnih sestavnih delov med uporabo, kar lahko povzroči hude telesne poškodbe upravljavca in/ali poškodbe kosilnice ali lastnine.

MENJAVA REZILA

Glejte sliko 11-12.

OPOMBA: Uporabite samo pooblaščen nadomestna rezila. Obrabljena ali poškodovana rezila in vijake zamenjajte v kompletih, da ohranite uravnoteženost naprave.

- Ustavite motor in odstranite ključ baterije. Naj se rezilo popolnoma ustavi.
- Odstranite baterijo.
- Obrnite kosilnico na stran.
- Postavite kos lesa med rezilo in pokrovom kosilnice ter tako preprečite, da bi se rezilo vrtelo.
- Odvijte vijak rezila, tako da ga zavrtite v nasprotni smeri urinega kazalca (če gledate z dna kosilnice) s 27-milimetrskim ključem ali natičnim ključem (ni priložen).
- Odstranite vijak rezila in rezilo.

Slovensko (Prevod originalnih navodil)

- Novo rezilo položite na os. Prepričajte se, da je rezilo ustrezno nameščeno, tako da se os pomika skozi luknjo osrednjega rezila in dva nastavka za rezila na ventilatorju, vstavljena v ustrezni luknji na rezilu. Preverite, ali je nameščen tako, da zaobljena konca kažeta navzgor proti vrhu kosilnice in ne navzdol proti tlom. Če je rezilo pravilno nameščeno, mora biti vzporedno z ventilatorjem.
- Vijak rezila navijte na os in ga ročno privijte.
- Matico rezila zavrtite navzdol v smeri urinega kazalca z navornim ključem (ni priložen) in poskrbite, da je vijak ustrezno privit. Priporočeni navor za matico rezila je 62,5~71,5 kgf cm.

VAROVANJE OKOLJA

- Varovanje okolja mora biti pomemben in prednostni vidik pri uporabi stroja, v korist civilnega sožitja in okolja, v katerem živimo. Pazite, da s svojim delom ne motite sosedov.
- Natančno upoštevajte lokalne predpise za odlaganje embalaže, olja, bencina, filtrov, pokvarjenih delov ali katerega koli elementa, ki močno vpliva na okolje; teh odpadkov ne smete odvreči v smeti, ampak jih morate ločiti in jih izročiti posebnim zbirnim centrom, ki bodo poskrbeli za njihovo reciklažo.
- Natančno upoštevajte lokalne predpise za odlaganje odpadnega materiala po košnji.
- Ko stroja ne boste več uporabljali, ga ne smete odvreči v okolje, ampak se obrnite na center za zbiranje odpadkov, v skladu z veljavni lokalnimi predpisi.

Slovensko (Prevod originalnih navodil)


ODPRAVLJANJE NAPAK

Problem	Možen vzrok	Rešitev
Ročaj ni v ustreznem položaju.	Nosilni vijaki niso pravilno nameščeni.	Nastavite višino ročaja in se prepričajte, da so nosilni vijaki pravilno nameščeni.
Kosilnica se ne zažene.	Baterija je slabo napolnjena.	Napolnite baterijo.
	Baterija ne deluje ali pa se je ne da napolniti.	Zamenjajte baterijo.
	Baterijski ključ ni vstavljen.	Vstavite baterijski ključ.
Kosilnica travo kosi neenakomerno.	Trata je neobdelana ali neravna ali pa višina rezanja ni ustrezno nastavljena.	Kolesa pomaknite v višji položaj. Za enakomerno košnjo morajo biti vsa kolesa naravnana na isto višino.
Kosilnica ne drobi pravilno.	Drobci mokre trave so se nalepili na spodnjo stran pokrova.	Pred košnjo počakajte, da se trava posuši.
Kosilnico je težko potiskati.	Visoka trava, zadnji del ohišja in rezila se vleče po težki travi, ali pa je višina košnje prenizka.	Dvignite višino košnje.
Kosilnica ne polni pravilno lovilnika trave.	Višina košenja je prenizka.	Dvignite višino košnje.
Kosilnica vibrira pri višji hitrosti.	Rezilo ni uravnoteženo, pretirano ali neenakomerno obrabljeno.	Zamenjajte rezilo.
	Motorna gred je ukrivljena.	Ustavite motor, odstranite izolacijski ključ in baterijo, kosilnico izključite iz vira napajanja in jo pregledajte, če je poškodovana. Pred ponovnim zagonom naj napako popravi pooblaščen servisier.
Med rezanjem se motor ustavi.	Višina košenja je prenizka.	Dvignite višino košnje.
	Baterija je prazna.	Napolnite baterijo.

Če te rešitve ne odpravijo težave, se posvetujte s pooblaščenim servisierjem.

Hrvatski (Prijevod izvornih uputa)

TEHNIŠKE KARAKTERISTIKE

Kosilica	2502907
Širina glodanja	46 cm
Visina rezanja	25 mm - 80 mm
Brzina bez opterećenja	2800 rpm
Brzina samopokretanja	0.5-1.5 m/s
Razina zvučnog tlaka	LpA :73 dB(A), K:3.0
Izmjerena razina zvučne snage	LwA :85.5 dB(A)
Kapacitet kutije za travu	52 L
Neto težina	28 kg
Rezervna oštrica	2920407
Baterija	Litij-ionski
Broj modela	2918307 / 2918407
Punjač za baterije	
Broj modela	2918507
Dvostruko izolirana konstrukcija	

OPIS

1. Mogući uzrok
2. Kabel upravljanja motorom
3. Gumb za pokretanje
4. Gornja ručka
5. Spuštanje ručke
6. Ručica za podešavanje visine
7. Vratašca za bateriju
8. Prednji kotač
9. Stražnji kotač
10. Kutija za travu
11. Baterija
12. Gumb za ručku
13. Gumb
14. Vijka
15. Ručka kutije za travu
16. Stražnja vrata
17. Otvor za stražnje pražnjenje
18. Šipka vrata

19. Kuke
20. Oštrica
21. Osovina motora
22. Ventilator
23. Vijak oštrice
24. Mjesta za oštricu
25. Gumb za otpuštanje baterije
26. Usitnjivač
27. Bočni deflektor za pražnjenje
28. Bočna vrata za pražnjenje
29. Blok drva (nije uključeno)
30. Iščašenje (nije uključeno)
31. Ključ baterije
32. Poluga za samopomicanje
33. Upravljački elementi brzine samopomicanja

UPOZORENJE

Korištenje bilo kojih drugih baterija može dovesti do opasnosti od požara, strujnog udara ili ozljeda osoba.

UPOZNAJTE SVOJU KOSILICU

Pogledajte sliku 1.

Sigurno korištenje ovog uređaja zahtjeva razumijevanje informacija na alatu i u ovih uputa za uporabu kao i poznavanje posla koji namjeravate obaviti. Prije korištenja ovog uređaja upoznajte se sa svim radnim svojstvima i sigurnosnim pravilima.

MJERAŠE NAPUNJENOSTI BATERIJE

Mjeraše napunjenosti baterije mjeri količinu punjenja preostalog u bateriji.

KUTIJA ZA TRAVU

Kutija za travu prikuplja isječke trave i sprečava da se razbacuju preko travnjaka kako se pomičete.

RUČICA ZA PODEŠAVANJE VISINE

Poluga za podešavanje visine omogućuje podešavanje visine rezanja.

KABEL UPRAVLJANJA MOTOROM

Kabel za upravljanje motorom, smješten na gornjoj ručki kosilice, uključuje i isključuje motor i oštricu.

KLJUŠE ZA KONTAKT

Ključ za kontakt mora biti umetnut prije nego se kosilica može pokrenuti.

Hrvatski (Prijevod izvornih uputa)

USITNJIVAÈ

Vaša kosilica opremljena je s usitnjivaèem koji pokriva stražnje otvore za pražnjenje, koji omogućuju oštřici kosilice da reže i ponovno reže travu za f i nije isjeèke.

BOÈNI DEFLEKTOR ZA PRAŽNJENJE

Koristite boèni defektor za pražnjenje na kosilici kad je trava previsoka za usitnjavanje ili je poželjan boèni defektor za pražnjenje. Isjeèci trave proizvedeni kad se koristi boèni defektor za pražnjenje su zamjetno veæi od onih proizvedenih kad se koristi usitnjivaè i boèna ploèa za usitnjavanje.

BOÈNA VRATA ZA PRAŽNJENJE

Vaša kosilica opremljena je s vratascima koja pokrivaju boène otvore za pražnjenje, koji ako je prikljuèen usitnjivaè omogućuju kosilici da reže i ponovno reže travu za nije isjeèke ili šalje isjeèke trave u vreæu za prikupljanje.

- Vijci

⚠ UPOZORENJE

Ukoliko je bilo koji dio ošteæen ili nedostaje ne koristite ovaj proizvod sve dok se ti dijelovi ne nadomjeste. Korištenje ureðaja s dijelovima koji su ošteæeni ili nedostaju može dovesti do ozbiljnih osobnih ozljeda.

⚠ UPOZORENJE

Ne pokušavajte mijenjati ovaj proizvod niti izabrati pribor koji se ne preporuèa za uporabu s ovim proizvodom. Svaka takva izmjena ili preinaka je pogrešno korištenje i može imati za posljednju ozbiljne osobne povrede.

⚠ UPOZORENJE

Nemojte umetati kljuè baterije sve dok sastavljanje nije dovršeno i ne budete spremni kositi. Nepriдрžavanje sljedećih uputa može izazvati slučajno pokretanje i moguće ozbiljne osobne ozljede.

⚠ UPOZORENJE

Za spreæavanje sluèajnog pokretanja koje može dovesti do ozbiljnih osobnih ozljeda, uvijek uklonite bateriju iz ureðaja prilikom sastavljanja dijelova.

⚠ UPOZORENJE

Nikada ne radite s kosilicom bez pravilno postavljenih i funkcionalnih sigurnosnih ureðaja. Nikada ne koristite kosilicu s ošteæenim sigurnosnim ureðajima. Rad ovog proizvoda s ošteæenim ili nedostajuæim dijelom može imati za posljednju ozbiljne osobne povrede.

RASKLAPANJE I PODEŠAVANJE DONJE RUÈKE

Pogledajte sliku 2.

- Povucite i okrenite gumb za ruèku 90° na obje strane kako biste olabavili donje ruèke.
- Pomaknite donje ruèke u radni poloæaj. Možete podignuti ili spustiti ruèku u poloæaj koji vam je udoban. Postoje 3 poloæaja za odabir. Otpustite gumb za ruèku kako biste zaključali donju ruèku u poloæaj.

NAPOMENA: Provjerite jesu obje strane postavljene na isti poloæaj radi pravilnog sklapanja.

UGRADNJA GORNJE RUÈKE

Pogledajte sliku 3.

- Poravnajte otvore za montažu na gornjoj ruèki i donjoj ruèki. Umetnite nosaèe vijke i koristite gumb za

POSTAVLJANJE

RASPAKIRAVANJE

Ovaj ureðaj potrebno je sastaviti.

- Pažljivo izvadite alat i sav dodatni pribor iz kutije. Provjerite jesu li sve stavke navedene na popisu pakiranja ukljuèene.

⚠ UPOZORENJE

Nemojte koristiti ureðaj ako su neki dijelovi na Popisu pakiranja veæ sastavljeni na vaš ureðaj kada ste ga raspakirali. Dijelove na ovom popisu na ureðaj nije sastavio proizvoðaè i potrebno je da ih sastavi korisnik. Rad s ureðajem koji je prethodno možda nepravilno sastavljen može dovesti do ozbiljnih osobnih ozljeda.

- Pažljivo provjerite ureðaj kako biste bili sigurni da tijekom isporuke nije došlo do puknuæa ili ošteæenja.
- Ne odbacujte ambalažu sve dok pažljivo niste pregledali i zadovoljavajuæe radili s ureðajem.
- Ako su neki od dijelova ošteæeni ili nedostaju, molimo vas da se za pomoæ obratite servisnom centru tvrtke Greenworks tools.

POPIS PAKIRANJA

- Kosilica
- Kljuè baterije
- Posoda za travu
- Drobilni nastavak
- Stranski defektor za izmet
- Upute za uporabu
- Gumbi

Hrvatski (Prijevod izvornih uputa)

njihovo pritezanje. Ponovite radnju na drugoj strani.

UGRADNJA KUTIJE ZA TRAVU

Pogledajte sliku 4.

- Podignite zadnja vrata za pražnjenje.
- Podignite hvatač trave za njegovu ručku i postavite pod stražnja vrata za pražnjenje tako da kuke na hvataču trave nasjednu u utore na osovini vrata.
- Oslobodite stražnja vrata za pražnjenje. Kada se pravilno instalira, kuke na hvataču trave prolaze kroz otvore na stražnjim vratima za pražnjenje.

NAMEŠČANJE DROBILNEGA NASTAVKA

Glejte sliku 5.

- Dvignite in zadržite zadnja vrata za izmet.
- Drobilni nastavak primite za ročaj in ga pod rahlim kotom vstavite, kot je prikazano.
- Drobilni nastavak potisnite tako, da se dobro zatakne.
- Spustite zadnja vrata za izmet.

NAMEŠČANJE STRANSKEGA DEFLEKTORJA ZA IZMET

Glejte sliku 6.

OPOMBA: Ko uporabljate stranski deflektor za izmet, ne namestite posodo za travo. Drobilni nastavak naj ostane nameščen.

- Dvignite stranska vrata za izmet.
- Kljukice na deflektorju poravnajte z zgibno palico na spodnji strani vrat.
- Spustite deflektor, da se kljukice zaskočijo na zgibno palico vrat drobilnika.
- Spustite deflektor in stranska vrata za izmet.

PODEŠAVANJE VISINE NOŽA

Pogledajte sliku 7.

Prilikom isporuke, kotači na kosilici su postavljeni u nizak položaj. Prije uporabe kosilice po prvi put, podesite visinu košenja na najbolju visinu koja odgovara vašem travnjaku. Prosjek trave treba biti između 38 mm do 51 mm tijekom hladnih mjeseci i između 51 mm i 70 mm tijekom toplih mjeseci.

Za podešavanje visine oštrice

- Da se podigne visina noža uzmite polugu za reguliranje visine i povucite je prema stražnjem dijelu kosilice.
- Da se spusti visina noža uzmite polugu za reguliranje visine i povucite je prema prednjem dijelu kosilice.

UPORABA

UPOZORENJE

Neka vam koncentracija pri radu ne popusti ni kad upoznate kako radi vaš aparat. Uvijek imajte na umu da je dovoljna samo jedna sekunda nepažnje kako biste se teško ozlijedili.

UPOZORENJE

Uvijek nosite zaštitna sredstva za oči. Nepoštivanje ovog upozorenja može dovesti do prskanja stranih tijela u vaše oči i prouzročiti teške ozljede oka.

UPOZORENJE

Upotrebljavajte samo dijelove ili dodatnu opremu koje je za ovaj aparat preporučio proizvođač. Uporaba dijelova i dodatne opreme koje nije preporučio proizvođač može dovesti do teških ozljeda.

UPOZORENJE

Uvijek prije korištenja provjerite kosilicu radi dijelova koji nedostaju ili su oštećeni i oštricu na oštećenje, neravnotežu ili prekomjernu istrošenost. Korištenje uređaja s dijelovima koji su oštećeni ili nedostaju može dovesti do ozbiljnih osobnih ozljeda.

- Nemojte naginjati kosilicu prilikom pokretanja motora ili uključivanja motora, osim ako kosilica ne treba biti nagnuta radi pokretanja. U tom slučaju, nemojte ga naginjati više nego što je potrebno i podignite samo dio koji je od rukovatelja.

- Na palite motor ako stojite ispred otvora za pražnjenje.
- Nemojte stavljati ruke ili stopala blizu ili ispod rotirajućih dijelova. Otvore za pražnjenje uvijek držite čistim.

Za sve upute o punjenju pogledajte Upute za uporabu za bateriju i punjače navedene u poglavlju specifikacija.

ZA UGRADNJU BATERIJE

Pogledajte sliku 8.

- Podignite i držite poklopac baterije.
- Postavite bateriju na alat. Poravnajte povišene rubove na bateriji s utorama na ulazu za bateriju.
- Poravnajte bateriju s lazom za bateriju kosilice.
- Umetnite ključ baterije..
- Ako se uređaj neće odmah koristiti, nemojte umetati ključ baterije.
- Zatvorite vratašca.

Hrvatski (Prijevod izvornih uputa)

ZA UKLANJANJE BATERIJE

Pogledajte sliku 8.

- Za zaustavljanje uređaja otpustite polugu za pogon.
- Otvorite vratašca baterije za pristup odjeljku baterije.
- Uklonite ključ baterije.
- Pritisnite gumba za oslobađanje baterije (3) na kosilici. Ovo uzrokuje da se baterija lagano podigne iz alata.
- Uklonite bateriju iz uređaja.

POKRETANJE/ZAUSTAVLJANJE KOSILICE

Pogledajte sliku 9.

- Pritisnite i držite gumb za zaključavanje.
- Povucite polugu za pogon prema gore na ručki i otpustite gumb za zaključavanje kako biste pokrenuli kosilicu.
- Za zaustavljanje kosilice, otpustite polugu za kontrolu.

NAPOMENA: Može doći do šuma i iskrenja kako se elektromotor usporava. To je sasvim normalno.

KRETANJE SAMOPOMICANJEM

Pogledajte sliku 9.

Za uključivanje značajke samopomicanja:

- Otvorite vratašca baterije.
- Umetnite bateriju.
- Umetnite ključ baterije.
- Povucite polugu za samopomicanja prema gode kako bi došla do ručke.

Za isključivanje značajke samopomicanja:

- Otpustite polugu za samopomicanje.

Za podešavanje značajke samopomicanja:

- Povucite varijabilnu polugu za kontrolu brzine prema simbolu zeca za povećanje brzine.
- Povucite varijabilnu polugu za kontrolu brzine prema simbolu kornjače za smanjenje brzine.

SAVJETI ZA KOŠENJE

- Osigurajte da je travnjak bez kamenja, štapova, žica i drugih objekata koji mogu oštetiti oštricu kosilice ili motor. Nemojte kositi preko kolaca ili drugih metalnih klinova. Te predmete može odbaciti kosilica u bilo kom mjeru i nanijeti ozbiljne osobne povrede rukovatelju i drugima.
- Za zdrav travnjak uvijek režite trešinu ili manje od ukupne duljine trave.
- Ne kosite mokru travu, lijepit će se na donjoj strani kosilice i onemogućit će pravilno spremanje u vreću ili izbacivanje pokošene trave.
- Nova ili debela trava mogu zahtijevati užu ili višu visinu

rezanja.

- Očistite donji dio kosilice nakon svake uporabe kako biste uklonili dijelove trave, lišće, prljavštinu i sve druge nagomilane nanose.
- Kada kosite visoku travu, smanjite brzinu kretanja kako bi košenje bilo učinkovitije i pravilno izbacivanje pokošene trave.

NAPOMENA: Prije čišćenja podvozja kosilice uvijek zaustavite kosilicu, omogućite oštricama da se potpuno zaustave i uklonite ključ baterije.

RAD NA KOSINI

⚠ UPOZORENJE

Kosine su najvažniji čimbenik u svezi s nezgodama izazvanim klizanjem i padom što može imati za posljedicu ozbiljne povrede. Rad na kosini iziskuje posebnu pozornost. Ukoliko se nelagodno osjećate na kosini, nemojte tamo kositi. Za vašu sigurnost ne pokušavajte kositi na kosinama iznad 15 stupnjeva.

⚠ UPOZORENJE

Hodajte malom brzinom kada se pomičete uz kosinu.

- Na padini kosite poprijeko, nikada gore-dolje. Posebnu pozornost obratite kada mijenjate smjer na kosini.
- Vodite računa o rupama, kolotrazima, kamenju, skrivenim predmetima ili ispućenjima koja mogu izazvati klizanje ili spoticanje. Visoka trava može sakriti takve zapreke. Uklonite sve predmete kao što je kamenje, grane drveta itd., na koje se možete spotaći ili koje nož može odbaciti.
- Uvijek imajte čvrsto uporište. Klizanje i pad mogu nanijeti ozbiljne osobne povrede. Ako osjećate da gubite ravnotežu, odmah otpustite polugu za pogon.
- Ne kosite blizu usjeka, kanala niti nasipa; možete izgubiti oslonac ili ravnotežu.

PRAJNENJE KUTIJE ZA TRAVU

Pogledajte sliku 10.

- Zaustavite kosilicu, omogućite oštrici da se potpuno zaustavi i uklonite ključ baterije. omogućite oštricama da se potpuno zaustave i uklonite ključ za kontakt.
- Podignite stražnja vrata.
- Podignite kutiju za travu za njezinu ručku kako biste je uklonili s kosilice.
- Ispraznite pokošenu travu.
- Podignite stražnja vrata i ponovno umetnite kutiju za travu kao što je ranije opisano u ovom priručniku.

Hrvatski (Prijevod izvornih uputa)

ODRŽAVANJE

UPOZORENJE

Kako biste izbjegli slučajno pokretanje i moguće osobne ozljede, prije izvođenja bilo kakvog održavanja, osigurajte da su baterija kosilice i ključ baterije uklonjeni.

UPOZORENJE

Za sprječavanje slučajnog pokretanja ili neovlaštenog korištenja, bežična kosilica je opremljena s uklonjivim sigurnosnim ključem. Za potpuno onemogućavanje kosilice, sigurnosni ključ treba ukloniti i držati dalje od kosilice i izvan dohvata djece.

UPOZORENJE

Prilikom servisiranja koristite samo odobrene zamjenske dijelove. Uporaba bilo kojeg drugog dijela može izazvati opasnost ili oštećenje proizvoda.

WARNING

Motor i pretince baterija održavajte čistim od trave, lišća i prekomjerne masnoće. Ovo će pomoći smanjiti opasnost od požara.

OPĆE ODRŽAVANJE

Prije svakog korištenja provjerite cijeli proizvod radi oštećenja, dijelova koji nedostaju ili labavih dijelova kao što su vijci, matice, svornjaci, kapice itd.

Prvo pritegnite sve uèvršne elemente i pokrove, te ne radite s ovim proizvodom sve dok svi dijelovi koji nedostaju ili su oštećeni nisu zamijenjeni. Za pomoć pozovite Službu za korisnike tvrtke Greenworks tools. Prilikom čišćenja plastiènih dijelova izbjegavajte koristiti kemijska sredstva. Većina plastiènih dijelova osjetljiva je na oštećenje razlièitim vrstama komercijalnih vrsta otapala i mogu se oštetiti njihovom uporabom. Za uklanjanje prljavštine, prašine, ulja, masnoće itd., koristite èistu krpu.

UPOZORENJE

Rad smanjenja rizika od oštećenja i opasnosti alat nikad ne čistite tlaènim èistaèem ili pod tekućom vodom.

UPOZORENJE

Skladištite samo u zatvorenom prostoru. Kad čistite ili skladištite alat, bateriju uvijek izvadite iz kosilice i punjaèa.

UPOZORENJE

Nikada ne dopustite kontakt plastiènih dijelova s tekućinom za koènice, benzinom, proizvodima na bazi petroleja, sredstvima za odmašćivanje, idr. Kemijske mogu oštetiti, oslabiti ili uništiti plastiku što može dovesti do ozbiljnih osobnih ozljeda.

Povremeno provjerite sve matice i zavrtnje da su pritegnuti kako biste osigurali siguran rad kosilice.

Povremeno obrišite kosilicu èistom suhom krpom. Ne koristite vodu.

PODMAZIVANJE

Svi ležaji u ovom proizvodu su podmazani dovoljnom kolièinom visokokvalitetne masti za èitav radni vijek ureðaja za rad pod normalnim radnim uvjetima. Stoga, nikakvo dalje podmazivanje nije potrebno.

WARNING

Zaštite ruke debelim rukavicama i/ili umotajte sjeèiva noža krpama ili drugim materijalom kada vršite održavanje noža. Dodir s oštricom može dovesti do ozbiljnih osobnih ozljeda.

WARNING

Ne podmazujte ni jednu od komponenti kotaèa. Podmazivanje može uzrokovati da komponente kotaèa budu u kvaru tijekom korištenja, što može dovesti do ozbiljnih osobnih ozljeda rukovatelja i/ili oštećenja kosilice ili vlasništva.

ZAMJENA NOŽA

Pogledajte sliku 11-12.

NAPOMENA: Koristite samo odobrene zamjenske oštrice. Kako biste održali ravnotežu zamijenite istrošene ili oštećene oštrice i svornjake u sklopovima.

- Zaustavite motor i uklonite ključ baterije. Omogućite oštrici da se potpuno zaustavi.
- Uklonite bateriju.
- Okrenite kosilicu na stranu.
- Stavite drveni klin između noža i oklopa kosilice kako biste sprijeèili okretanje noža.
- Olabavite vijak oštrice zakrećući ga u smjeru suprotnom od kretanja kazaljki na satu (kao što je vidljivo s donjeg dijela kosilice) korištenjem 27 mm ključa ili utikaèa (nije isporučeno).

Hrvatski (Prijevod izvornih uputa)

- Uklonite vijak oštrice i oštricu.
- Postavite novu oštricu na osovinu. Osigurajte da je oštrica pravilno nasjela s osovinom prolazeći kroz središte otvora za oštricu i da su dva mjesta za oštricu na ventilatoru umetnuta u njihove odgovarajuće otvore na oštrici. Provjerite je li instalirana tako da su zakrivljeni krajevi usmjereni prema gornjoj strani kosilice, a ne prema tlu. Kad je nasjela pravilno, oštrica treba biti ravna prema ventilatoru.
- Navrnite vijak oštrice na osovinu i pritegnite prstom.
- Zategnite maticu oštrice u smjeru kretanja kazaljki na satu korištenjem momet-ključa (nije isporučeno) kako biste osigurali da je svornjak pravilno pritegnut. Preporučeni zakretni moment za maticu oštrice je 62.5–71.5 kgf cm (350–400 in. lb).

ZAŠTITA OKOLIŠA

- Zaštita okoliša mora predstavljati bitan i prvenstveni vid uporabe stroja, u korist civilnog suživota kao i okoliša u kojem živimo. Izbjegavajte ometanje susjeda.
- Strogo se pridržavajte lokalnih propisa o odlaganju ambalaže, ulja, benzina, filtera, propalih dijelova ili bilo kojeg drugog elementa štetnog za okoliš: te otpatke se ne smije bacati u smeće, nego ih treba razdvojiti i predati odgovarajućim centrima za sakupljanje koji će se pobrinuti za recikliranje materijala.
- Strogo se pridržavajte lokalnih propisa o odlaganju otpadnog materijala od košnje.
- U trenutku rashodovanja, nemojte ostavljati stroj u okolišu, nego se obratite centru za sakupljanje, sukladno lokalnim propisima na snazi.

Hrvatski (Prijevod izvornih uputa)


OTKLANJANJE SMETNJI

Problem	Loša obuæa može izazvati klizanje ili pad.	Rješenje
Ruèka nije u položaju.	Noseæi svornjaci nisu pravilno nasjeli.	Podesite visinu ruèke i osigurajte da su noseæi svornjaci pravilno nasjeli.
Kosilica se ne pokreæe.	Napunjenost baterije je niska.	Napunite bateriju.
	Baterija nije u radnom stanju ili se više neæee puniti.	Zamijenite bateriju.
	Ključ baterije nije umetnut.	Umetnite ključ baterije.
Kosilica neravnomjerno reže travu.	Travnjak je pretvrd ili neravan, ili visina rezanja nije pravilno postavljena.	Pomaknite kotaèe u viši položaj. Svi kotaèi moraju biti postavljeni na istu visinu rezanja kako bi kosilica ravnomjerno rezala.
Kosilica ne usitnjava pravilno.	Mokri komadi isjeæene trave slijepljeni su na donjoj strani površine.	Prije usitnjavanja prièekajte da se trava osuši.
Kosilica se teško gura.	Visoka trava, zadnji dio kuæišta i nož vuku se po gustoj travi ili visina šišanja preniska.	Podignite visinu rezanja.
Kosilica ne ubacuje u vreæu pravilno.	Visina rezanja postavljena je prenisko.	Raise the cutting height.
Kosilica vibrira pri veæoj brzini.	Oštrica je neuravnotežena, previše ili neravnomjerno istrošena.	Zamijenite oštricu.
	Osovina motora je uvijena.	Zaustavite motor, izvadite ključ za kontakt i bateriju, odspojite izvor napajanja i provjerite za ošteæenja. Neka ovaj kvar opravi ovlašteni servisni centar prije pokretanja.
Tijekom rezanja motor se zaustavio.	Visina rezanja postavljena je prenisko.	Podignite visinu rezanja.
	Baterija je prazna.	Napunite bateriju.

Ako ova rješenja ne dovedu do rješenja problema, obratite se ovlaštenom davatelju servisa.

Magyar (Az eredeti útmutató fordítása)

MŰSZAKI ADATOK

Fűnyíró	2502907
Marási szélesség	46 cm
Vágásmagasság	25 mm - 80 mm
Üresjárat fordulatszám	2800 rpm
Cu vitezä autopropulsatä	0.5-1.5 m/s
Nivel de presiune acustică	LpA :73 dB(A), K:3.0
Nivelul de putere acustică măsurat	LwA :85.5 dB(A)
Vibrációs szint	<2.5 m/s ² , K=1.5
Fűgyűjtő térfogata	52 L
Nettó tömeg	28 kg
Pótkés (új)	2920407
Akkumulátor	Lítiumion
Típuszám	2918307 / 2918407
Akkumulátortöltő	
Típuszám	2918507
Kettős szigetelésű felépítés	

A KÉSZÜLÉK RÉSZEI

1. Teljesítményszabályozó kar
2. Motor vezérlőkábele
3. Indítógomb
4. Felső fogantyú
5. Alsó fogantyú
6. Magasságállító kar
7. Akkumulátorfedél
8. Elülső kerék
9. Hátsó kerék
10. Fűgyűjtő
11. Akkumulátor
12. Fogantyú gombja
13. Gomb
14. Csavar
15. Fűgyűjtő fogantyúja
16. Hátsó ajtó
17. Hátsó ürítőnyílás

18. Ajtórúd
19. Kampók
20. Kés
21. Motortengely
22. Ventilátor
23. Késrögzítő csavar
24. Késrögzítők
25. Akkumulátor kioldógomb
26. Mulcsozó csatlakozó
27. Oldalsó kiürítő terelője
28. Oldalsó kiürítő ajtaja
29. Egy darab fa (nincs a készletben)
30. Szorítókulcs (nincs a készletben)
31. Akkumulátor kulcs
32. Önjárás kar
33. Önjárás sebességszabályozó

FIGYELMEZTETÉS

Más akkumulátorok használata tűzveszélyt, áramütést vagy személyi sérüléseket eredményezhet.

ISMERJE MEG A FŰNYÍRÓT

Lásd 1. ábrát.

A szerszám biztonságos használatához szükség van a terméken lévő és a használati útmutatóban található információk megértésére, és az elvégezni kívánt feladat ismeretére. A termék használata előtt ismerkedjen meg az összes működési jellemzővel és biztonsági előírással.

AKKUMULÁTOR-MÉRŐ

Az akkumulátor-mérő méri az akkumulátorban maradt töltés mennyiségét.

FŰGYŰJTŐ

A fűgyűjtő összegyűjti a fűyesevéket, és megakadályozza, hogy fűnyírás közben az a pázsiszra ürítődjön ki.

MAGASSÁGÁLLÍTÓ KAR

A magasságállító kar lehetővé teszi a vágásmagasság beállítását.

MOTOR VEZÉRLŐKÁBELE

A motornak a fűnyíró felső fogantyúján található vezérlőkábele kapcsolja össze és szét a motort és a kést.

Magyar (Az eredeti útmutató fordítása)

KULCSKAPCSOLÓ

A kulcskapcsolót be kell helyezni a fűnyíró beindítása előtt.

MULCSOZÓ CSATLAKOZÓ

A fűnyíró fel van szerelve mulcsozóval, amely lefedi a hátsó kiürítő nyílást, így lehetővé teszi a fűnyíró kése számára, hogy levágja és tovább aprítsa a fűvet f inomabb nyesedékké.

OLDALSÓ KIÜRÍTŐ TERELŐJE

Használja az oldalsó kiürítés terelőlemezét a fűnyírón, ha a fű túl magas a mulcsozáshoz vagy amikor az oldalsó kiürítést preferálja. Az oldalsó kiürítő terelőjének használatával kapott fűnyesedék sokkal nagyobb méretű, mint a mulcsozó csatlakozó és az oldalsó mulcsozó lemez használatakor kapott.

OLDALSÓ KIÜRÍTŐ AJTAJA

A fűnyíró fel van szerelve egy az oldalsó kiürítő nyílást lefedő ajtóval, ami lehetővé teszi, hogy a fűnyíró levágja és tovább aprítsa a fűvet nomabb nyesedékké, ha a mulcsozó fel van szerelve, vagy a gyűjtőzsákba küldje azt, ha az fel van szerelve.

ÖSSZESZERELÉS

KICSOMAGOLÁS

A termék összeszerelést igényel.

- Óvatosan vegye ki a terméket és a kiegészítőket a dobozból. Ellenőrizze, hogy a rakjegyzékben szereplő összes tétel megvan.

⚠ FIGYELMEZTETÉS

Ne használja ezt a terméket, ha kicsomagoláskor a rakjegyzékben szereplő valamelyik alkatrész már fel van szerelve a termékre. A jegyzékben szereplő alkatrészeket a gyártó nem szerelte a termékre, azok a vásárló általi összeszerelést igényelnek. A nem megfelelően összeszerelt termék használata komoly személyi sérüléshez vezethet.

- Figyelmesen vizsgálja át a terméket, és bizonyosodjon meg róla, hogy a szállítás során nem tört el és nem sérült meg semmi.
- Amíg figyelmesen át nem vizsgálta és nem működtette a terméket, addig ne dobja ki a csomagolását.
- Ha bármelyik alkatrész megsérült vagy hiányzik, segítségért hívja a Greenworks tools szervizközpontot

RAKJEGYZÉK

- Fűnyíró
- Akkumulátor kulcs
- Fűgyűjtő
- Mulcsozó csatlakozó
- Oldalsó kiürítő terelője
- Kezelői kézikönyv
- Gombok
- Csavarok

⚠ FIGYELMEZTETÉS

Ha bármilyen alkatrész megsérült vagy hiányzik, addig ne működtesse a terméket, amíg nem pótolta azokat. A termék sérült vagy hiányzó alkatrészrel való használata súlyos személyi sérüléshez vezethet.

⚠ FIGYELMEZTETÉS

Ne próbálja módosítani a terméket vagy olyan kiegészítőket előállítani, amelyeknek a termékkel való használata nem javasolt. Az ilyen módosítás vagy megváltoztatás helytelen használatnak minősül és veszélyes körülményeket eredményezhet, amelyek komoly személyi sérüléshez vezethetnek.

⚠ FIGYELMEZTETÉS

Ne helyezze be az akkumulátor kulcsot addig, amíg be nem fejezte a szerelést és fel nem készült a fűnyírásra. A befejezetlen összeszerelés véletlen indítást és súlyos személyi sérülést okozhat.

⚠ FIGYELMEZTETÉS

Az akár súlyos sérüléseket is eredményező véletlen beindítás elkerülése érdekében mindig vegye ki az akkumulátort a termékből, ha alkatrészeket szerel fel.

⚠ FIGYELMEZTETÉS

Tilos a fűnyírót úgy működtetni, ha a biztonsági berendezések nincsenek felszerelve vagy nem működnek. Ne használja a fűnyírót sérült biztonsági eszközökkel. A termék sérült vagy hiányzó alkatrészrel való használata komoly személyi sérüléshez vezethet.

AZ ALSÓ FOGANTYÚ KIHAJTÁSA ÉS BEÁLLÍTÁSA

Lásd 2. ábrá.

- Húzza meg és forgassa el a fogantyú gombokat 90°-

Magyar (Az eredeti útmutató fordítása)

kal mindkét oldalon az alsó fogantyúk kioldásához.

- Állítsa az alsó fogantyúkat használati pozícióba. A fogantyút felemelheti vagy leeresztheti egy Önnek kényelmes helyzetbe. 3 pozíció közül választhat. Engedje el a fogantyú gombokat az alsó fogantyú rögzítéséhez a beállított helyzetben.

MEGJEGYZÉS: A megfelelő rögzítéshez ügyeljen arra, hogy mindkét oldalon ugyanabba a pozícióba állítsa a fogantyút.

A FELSŐ FOGANTYÚ FELSZERELÉSE

Lásd 3. ábrát.

- Igazítsa egybe a felső fogantyúban és az alsó fogantyúban található rögzítőfuratokat. Helyezze be a kapupántcsavarokat, és a gombokkal húzza meg azokat. Ismételje meg az eljárást a másik oldalon.

A FÜGYŰJTŐ FELSZERELÉSE

Lásd 4. ábrát.

- Emelje fel a hátsó kiürítő ajtaját.
- Emelje fel a fűfogót a fogantyújánál fogva, és helyezze a hátsó kiürítő ajtó alá, úgy, hogy a fűfogón lévő kampók beüljenek az ajtórúdiba.
- Oldja ki a hátsó kiürítő ajtót. Megfelelő beszerelés esetén a fűfogón lévő kampók túlnyúlnak a hátsó kiürítő ajtó nyílásain.

A MULCSOZÓ FELSZERELÉSE

Lásd 5. ábrát.

- Emelje fel és tartsa úgy a hátsó kiürítő ajtaját.
- Fogja meg a mulcsozót a fogantyújánál, és helyezze be az ábrán látható módon, kissé megdöntve.
- Nyomja a helyére a mulcsozó csatlakozó, hogy biztonságosan rögzüljön.
- Engedje le a hátsó kiürítő ajtaját.

AZ OLDALSÓ KIÜRÍTŐ TERELŐJÉNEK FELSZERELÉSE

Lásd 6. ábrát.

MEGJEGYZÉS: Az oldalsó kiürítő terelőlemez használatakor ne szerelje fel a fűgűjtőt. A mulcsozó csatlakozót felszerelve kell hagyni.

- Emelje fel az oldalsó kiürítő ajtaját.
- A terelőn lévő kampókat igazítsa az ajtó alján található csuklórúdnhoz.
- Engedje le a terelőlemezt, amíg a kampók nem rögzülnek a mulcsozó ajtajának csuklórúdján.
- Oldja ki a fűterelőt és az oldalsó kiürítő ajtaját.

A KÉS MAGASSÁGÁNAK BEÁLLÍTÁSA

Lásd 7. ábrát.

Szállításkor a fűnyíró kerekei a legalacsonyabb vágási pozícióba van állítva. A fűnyíró első használata előtt a gyepek megfelelően állítsa be a vágási pozíciót. A hideg hónapokban a gyepek átlagos magassága 38 – 51 mm közötti kell legyen, a melegebb hónapokban pedig 51 – 70 mm közötti.

A kés magasságának beállítása

- A késmagasság növeléséhez fogja meg a magasságállító kart, és tolja a fűnyíró hátulja felé.
- A késmagasság csökkentéséhez fogja meg a magasságállító kart, és tolja a fűnyíró eleje felé.

HASZNÁLAT

⚠ FIGYELMEZTETÉS

A készülék kiismerése ne készítse fi gyermeknek csökkentésére. Soha ne feledje, hogy egy pillanatnyi figyelmetlenség is elegendő ahhoz, hogy súlyosan megsérüljön.

⚠ FIGYELMEZTETÉS

Mindig viseljen védőszemüveget. Ennek az előírásnak a be nem tartása által a felhasználó szemébe idegen test kerülhet és ez súlyos szemsérülést okozhat.

⚠ FIGYELMEZTETÉS

Kizárólag a gyártó által ezen készülékhez előírt alkatrészeket és tartozékokat használjon. A nem előírt alkatrész és tartozékok használata súlyos sérülésekkel járó baleseteket idézhet elő.

⚠ FIGYELMEZTETÉS

Használat előtt mindig vizsgálja át a fűnyírót hiányzó vagy sérült alkatrészeket keresve, valamint a kést is sérülések, egyenetlen vagy túlzott elhasználódás tekintetében. A termék sérült vagy hiányzó alkatrésszel való használata súlyos személyi sérüléshez vezethet.

- Ne döntse meg a fűnyírót a motor beindítása vagy bekapcsolása közben, hacsak nem pont a beindításhoz kell megdönteni a fűnyírót. Ebben az esetben, ne döntse meg a szükségesnél jobban, és csak a kezelőtől távolabb eső részt emelje fel.
- Ne indítsa be a motort, amikor az ürítőcsúszda előtt áll.

Magyar (Az eredeti útmutató fordítása)

- Ne helyezze kezét vagy lábát a forgó részek alá vagy közelébe. Mindig tartsa tisztán a kiürítő nyílást

A feltöltésre vonatkozó teljes útmutatót a műszaki adatok fejezetben megadott akkumulátorok és töltők Használati utasításában olvashatja el.

AZ AKKUMULÁTOR BEHELYEZÉSE

Lásd 8. ábrá.

- Emelje fel és tartsa úgy az akkumulátor fedelét.
- Igazítsa egybe az akkumulátort a fűnyíró akkumulátornyílásával.
- Ügyeljen rá, hogy az akkumulátor kioldógomb bepattanjon a helyére, és az akkumulátor teljesen be legyen ülve a helyére és rögzítve legyen a termékben a használat megkezdése előtt.
- Helyezze be az akkumulátor kulcsot.
- Ha a gépet nem fogja azonnal használni, akkor ne helyezze be az akkumulátor kulcsot.
- Zárja be az ajtót.

AZ AKKUMULÁTOR ELTÁVOLÍTÁSA

Lásd 8. ábrá.

- Engedje fel a teljesítményszabályozó kart a termék leállításához.
- Nyissa ki az akkumulátor fedelet az akkumulátortartóhoz való hozzáféréshez.
- Távolítsa el az akkumulátor kulcsot.
- Nyomja meg az akkumulátor kioldógombot a fűnyíró. Ezáltal az akkumulátor egy kicsit kiemelkedik a gépből.
- Vegye ki az akkumulátort a termékből.

A FŰNYÍRÓ BEINDÍTÁSA/LEÁLLÍTÁSA

Lásd 9. ábrá.

- Nyomja meg és tartsa a biztonsági kireteszelő gombot.
- Húzza a teljesítményszabályozó kart felfelé a fogantyúhoz, és engedje fel a biztonsági kireteszelő gombot a fűnyíró elindításához.
- A fűnyíró leállításához engedje fel a kapcsoló vezérlőkart.

MEGJEGYZÉS : Éles zaj és szikrázás lehet tapasztalható az elektromos motor lelassulásakor. Ez normális, nem jelez meghibásodást.

ÖNJÁRÓ FŰNYÍRÓ

Lásd: 9. ábra

Az önjárás funkció bekapcsolása:

- Nyissa ki az akkumulátorfedelelet.
- Helyezze be az akkumulátort.

- Helyezze be az akkumulátorkulcsot.
- Húzza fel az önjárás kart a fogantyúhoz.

Az önjárás funkció kikapcsolása:

- Engedje el az önjárás kart.

Az önjárás funkció sebességének beállítása:

- Húzza a sebességszabályozó kart a Nyúl szimbólum irányába a sebesség növeléséhez.
- Tolja a sebességszabályozó kart a Teknős szimbólum irányába a sebesség csökkentéséhez.

FŰNYÍRÁSI TIPPEK

- Ügyeljen rá, hogy a pázsiton ne legyenek kövek, fadarabok, vezetékek és más tárgyak, amik károsíthatják a fűnyíró késeit vagy a motort. Ne tolja át a fűnyírót jelző- vagy más fémből készült oszlopokon. Az ilyen tárgyakat a fűnyíró váratlanul bármelyik irányba kivetheti, és ezzel súlyos személyi sérülést okozhat a kezelőnek vagy más személyeknek.
- Ha egészséges pázsitot szeretne, mindig csak a fű teljes magasságának az egyharmadát vagy kevesebbet nyírja le.
- Ne vágjon nedves fűvet, rátapad a burkolat alá, és akadályozza a levágott fű zsákba továbbítását vagy kiürítését.
- Friss vagy magas fű esetében kisebb vágásszélesség vagy nagyobb vágásmagasság beállítására lehet szükség.
- Minden használat után tisztítsa meg a fűnyíró burkolatának alját, hogy eltávolítsa a fűnyesedéket, leveleket, koszt és más összegyűlt lerakódást.
- Magas fű vágásakor csökkentse a haladási sebességet, hogy sokkal hatékonyabban tudjon vágni és a levágott fű kiürítse megfelelő legyen.

MEGJEGYZÉS: A fűnyíró aljának tisztítása előtt mindig állítsa le a fűnyírót, hagyja teljesen megállni a késeket, és vegye ki az akkumulátor kulcsot.

HASZNÁLAT LEJTŐN

▲ FIGYELMEZTETÉS

A lejtők komoly személyi sérüléssel járó csúszással és eséssel kapcsolatos balesetek fő okozói. A lejtőkön való használat különleges fi gyelmet igényel. Ha nem érzi magabiztosnak magát a lejtőn, ne nyírja azt. A biztonsága érdekében ne próbáljon 15 foknál meredekebb lejtőkön fűvet nyírni.

Magyar (Az eredeti útmutató fordítása)

▲ FIGYELMEZTETÉS

Emelkedőn történő haladáskor kis sebességen használja az önjáró funkciót.

- A leejtőkön keresztbe nyírjon, soha ne felfelé és lefelé haladva. A leejtőn való irányváltás közben legyen különösen óvatos.
- Figyeljen oda a lyukakra, keréknyomokra, kövekre, rejtett tárgyra vagy hirtelen emelkedőkre, amelyek az elcsúszását vagy elesését okozhatják. A magas fű elrejtetheti az akadályokat. Távolítsa el az összes tárgyat, úgymint a köveket, fákat, ágakat, stb., amelyeket a kés átfordíthat vagy kivethet.
- Mindig biztosan álljon. A csúszás és esés súlyos személyi sérüléseket okozhat. Ha úgy érzi, hogy elveszíti az egyensúlyát, azonnal engedje el a teljesítményszabályozó kart.
- Ne nyírjon mélyedések, árkok vagy töltések közelében; elvesztheti az egyensúlyát vagy stabil testtartását.

A FÜGYŰJTŐ KIÜRÍTÉSE

Lásd 10. ábrát.

- Állítsa le a fűnyírót, hagyja teljesen megállni a kést, és vegye ki az akkumulátor kulcsot.
- Emelje fel a hátsó ajtót.
- Emelje fel a fűgyűjtőt a fogantyújánál fogva a fűnyíróról való eltávolításhoz.
- Űrítse ki a fűyesedéket.
- Emelje fel a hátsó ajtót, és helyezze vissza a fűgyűjtőt a kézikönyvben korábban leírtak szerint.

KARBANTARTÁS

▲ FIGYELMEZTETÉS

Mielőtt bármilyen karbantartást végez a gépen, ellenőrizze, hogy a fűnyíró akkumulátora és az akkumulátor kulcs el lettek távolítva, hogy elkerülje a véletlen elindítást és az esetleges súlyos személyi sérüléseket.

▲ FIGYELMEZTETÉS

A véletlen beindítás vagy jogosulatlan használat megakadályozásához az akkumulátoros fűnyíró el van látva egy kivehető biztonsági kulccsal. A fűnyíró teljes leállításához a biztonsági kulcsot el kell távolítani, és egy a fűnyírótól távoli és gyerekek által nem érhető helyen kell tárolni.

▲ FIGYELMEZTETÉS

Szervizelőskor csak engedélyezett cserealkatrészeket használjon. Bármilyen más alkatrész használata veszélyt vagy a termék károsodását okozhatja.

▲ FIGYELMEZTETÉS

A motort és az akkumulátor fedelét tartsa fűtől, hulladéktól és túlzott mennyiségű kenőzsírtól mentesen. Ezzel segít csökkenteni a tűzveszélyt.

ÁLTALÁNOS KARBANTARTÁS

Minden használat előtt vizsgálja át az egész terméket sérült, hiányzó vagy laza alkatrészeket, például csavarokat, csavaranyákat, fedelet stb. keresve.

Erősen húzza be az összes rögzítőt és fedelet, és addig ne használja a terméket, amíg nem pótolta az összes hiányzó vagy sérült alkatrészt. Segítségért hívja a Greenworks tools vevőszolgálatát. A műanyag részek tisztításakor tartózkodjon a tisztítószerek használatától. A legtöbb műanyag érzékeny a különböző típusú kereskedelmi oldószerekre és azok használata esetén károsodhat. Egy tiszta ruhát használjon a kosz, por, olaj, kenőzsír, stb. eltávolítására.

▲ FIGYELMEZTETÉS

A sérülés vagy veszély kockázatának csökkentése érdekében soha ne tisztítsa a szerszámot magasnyomású mosóval vagy folyó víz alatt.

▲ FIGYELMEZTETÉS

Kizárólag beltéren tárolja. Mindig vegye ki az akkumulátort a fűnyíróból és a töltőből, amikor a szerszámot tisztítja vagy tárolja.

▲ FIGYELMEZTETÉS

A műanyag részek semmilyen körülmények között nem érintkezhetnek fékolajjal, benzinnel, petróleum alapú termékekkel, beszívódó olajokkal stb. A vegyszerek károsíthatják, gyengíthetik vagy tönkretelhetik a műanyagot, ami súlyos személyi sérülést eredményezhet.

A fűnyíró biztonságos használata érdekében rendszeresen vizsgálja át az összes csavar és csavaranya megfelelő meghúzását.

Esetenként száraz ruhával törölje le a fűnyírót. Ne használjon vizet.

Magyar (Az eredeti útmutató fordítása)

KENÉS

A termékben lévő összes csapágó a gép teljes élettartamára elegendő kenőanyaggal van feltöltve, normál körülmények közötti használat esetén. Ezért nem igényel további csapágókenést.

▲ FIGYELMEZTETÉS

A kés karbantartásakor mindig védje a kezét nehéz igénybevételhez tervezett kesztyűvel, és/ vagy a kés vágóéleinek ronggyal és más anyaggal való körbetekerésével. A késsel való érintkezés súlyos személyi sérülést eredményezhet.

▲ FIGYELMEZTETÉS

Ne kenje meg a kerék alkatrészeit. A kenés a kerék alkatrészeinek meghibásodását okozhatja használat közben, ami a fűnyíró károsodását és/vagy a kezelő súlyos sérülését okozhatja.

A VÁGÓKÉS CSERÉJE

Lásd 11-12. ábrá.

MEGJEGYZÉS : Csak engedélyezett cserekeéseket használjon. Az egyensúly megtartása érdekében az elhasznált vagy sérült késeket és csavarokat teljes készletben cserélje ki.

- Állítsa le a motort, és vegye ki az akkumulátor kulcsot. Hagyja teljesen megállni a kést.
- Vegye ki az akkumulátort.
- A fűnyírót fordítsa az oldalára.
- Ékeljen egy fadarabot a kés és a fűnyíró burkolata közé, hogy megelőzze a kés elfordulását.
- Lazítsa meg a késrögzítő csavart az óramutató járásával ellentétes irányba forgatva azt (a fűnyíró aljáról nézve) egy 27 mm-es kulcs vagy villáskulcs segítségével (nem tartozék).
- Távolítsa el a késrögzítő csavart és a kést.
- Helyezzen egy új kést a tengelyre. Ellenőrizze, hogy a kés megfelelően ráült a tengelyre, amely átmegy a kés központi furatán, valamint a két késrögzítő átmegy a késen lévő furatokon. Ellenőrizze, hogy a felhelyezett kés görbített végei a fűnyíró burkolata felé néznek, és nem a talaj felé. Ha megfelelően van a helyén, a késnek fel kell feküdnie a ventilátorra.
- Csavarja a késrögzítő csavart a tengelyre, és húzza meg kézzel.

- Egy nyomatékulccsal (nem tartozék) húzza meg a kés csavaranyáját az óramutató járásának irányába, hogy biztosítsa a csavar megfelelő meghúzását. A kés csavaranyájának ajánlott meghúzási nyomatéka 62,5~71,5 kgf cm (350-400 in. lb.).

KÖRNYEZETVÉDELEM

- A környezet védelmét a gép használata során elsődleges fontossági szempontként kell figyelembe venni, mivel ez a békés egymás mellett élés és környezetünk érdeke. Ne zavarjon másokat a szomszédságában.
- Szigorúan tartsa be a helyi előírásokat a csomagolóanyagok, olaj, benzin, szűrők, használt alkatrészek vagy bármi egyéb, környezetszennyező elem selejtezésére vonatkozóan; ezeket a hulladékokat ne helyezze a háztartási hulladékba, hanem szelektív hulladékkezelés keretében szállítsa a megfelelő gyűjtőtelepekre, ahol gondoskodnak azok újrahasznosításáról.
- Szigorúan tartsa be a helyi előírásokat a levágott növényzet megsemmisítését illetően.
- Az üzemen kívül helyezéskor ne szennyezze a géppel a környezetet, hanem a hatályos helyi előírások értelmében adja le egy gyűjtőtelepen.

Magyar (Az eredeti útmutató fordítása)


HIBAELHÁRÍTÁS

Probléma	Lehetséges ok	Megoldás
A fogantyú nincs a helyén.	A kapupántcsavarok nem ülnek a helyükön.	Állítsa be a fogantyú magasságát, és ellenőrizze, hogy a kapupántcsavarok megfelelően beültek a helyükre.
A fűnyíró nem indul be.	Az akkumulátor töltöttségi szintje alacsony.	Töltse fel az akkumulátort.
	Az akkumulátor működésképtelen vagy nem veszi fel a töltést.	Helyezze vissza az akkumulátort.
	Az akkumulátorkulcs nincs behelyezve.	Helyezze be az akkumulátorkulcsot.
A fűnyíró egyenetlenül vágja a fűvet.	A pázsit rögös vagy egyenetlen, vagy a vágásmagasság nem megfelelően lett beállítva.	Állítsa a kerekeket a legmagasabb állásba. Egyenletes vágáshoz mind a négy kereket ugyanarra a vágási magasságra kell beállítani.
A fűnyíró nem mulcsoz megfelelően.	A levágott nedves fű darabkái feltapadnak a burkolat aljára.	Várjon a nyírással, amíg a fű megszárad.
A fűnyírót nehéz tolni.	Maga fű, a fűnyíróház hátulja és a kés beleragad a nehéz fűbe vagy a vágási magasság túl alacsony.	Növelje a vágásmagasságát.
A fűnyíró nem gyűjti a fűvet megfelelően.	Túl alacsonyra van állítva a vágási magasság.	Növelje a vágásmagasságát.
A fűnyíró nagy fordulatszámon vibrál.	A kés nincs kiegyensúlyozva, túlzottan vagy egyenetlenül elhasználódott.	Helyezze fel a kést.
	A motor tengelye görbe.	Állítsa le a motort, vegye ki az áramtalanító kulcsot és az akkumulátort, válassa le az áramforrást, és vizsgálja át sérüléseket keresve. Újraindítás előtt egy hivatalos szervizben javíttassa meg.
A motor vágás közben megáll.	Túl alacsonyra van állítva a vágási magasság.	Növelje a vágásmagasságát.
	Az akkumulátor lemerült.	Töltse fel az akkumulátort.

Ha az alábbi megoldások nem szüntetik meg a problémát, forduljon a hivatalos szervizhez.

Română (Traducere din versiunea originală a instrucțiunilor)

CARACTERISTICI TEHNICE

Mașină de tuns gazon	2502907
Lățime de frezare	46 cm
Înălțimea de tăiere	25 mm - 80 mm
Viteză fără sarcină	2800 rpm
Cu viteză autopropulsată	0.5-1.5 m/s
Nivel de presiune acustică	LpA :73 dB(A), K:3.0
Nivelul de putere acustică măsurat	LwA :85.5 dB(A)
Nivelul vibrațiilor	<2.5 m/s ² , K=1.5
Capacitate colector de iarbă	52 L
Greutate netă	28 kg
Lamă de schimb	2920407
Acumulator	Litiu ion
Număr model	2918307 / 2918407
Încărcător de acumulator	
Număr model	2918507
Construcție dublu izolată	

17. Deschidere de evacuare posterioară
18. Tijă ușă
19. Cârlige
20. Lamă
21. Arbore motor
22. Ventilator
23. Șurub lamă
24. Suporturi lamă
25. Buton de eliberare a bateriei
26. Duză pentru mulcire
27. Deflector evacuare laterală
28. Ușă evacuare laterală
29. Bloc de lemn (nu este inclus)
30. Cheie de serviciu (nu este inclus)
31. Cheie baterie
32. Pârghie autonomă
33. Comenzi viteză autonome

AVERTISMENT

Utilizarea unui alt acumulator poate produce un risc de incendiu, de electrocutare sau de vătămare a persoanelor.

FAMILIARIZAȚI-VĂ CU MAȘINA DVS. DE TUNS GAZONUL

A se vedea figura 1.

Utilizarea în siguranță a produsului necesită înțelegerea informațiilor cu privire la unealtă și din manualul de operare, precum și o cunoaștere a proiectului pe care îl realizați. Înainte de utilizarea acestui produs, familiarizați-vă cu toate caracteristicile de operare și cu regulile de siguranță.

INDICATOR ÎNCĂRCARE ACUMULATOR

Indicatorul bateriei măsoară încărcarea rămasă a bateriei.

COLECTOR DE IARBĂ

Colectorul de iarbă colectează fir ele de iarbă tăiate și le împiedică să fi e evacuate peste gazon dvs. în timp ce tundeți.

MANETĂ DE REGLARE A ÎNĂLȚIMII

Maneta de reglare a înălțimii de prevede reglaje pentru înălțimea de tăiere.

DESCRIERE

1. Nivel putere
2. Cablu de control motor
3. Buton de pornire
4. Mâner superior
5. Mânerul inferior
6. Manetă de reglare a înălțimii
7. Ușă acumulator
8. Roată față
9. Roată spate
10. Colector de iarbă
11. Acumulator
12. Mâner rotativ
13. Buton rotativ
14. Șuruburi
15. Mâner colector de iarbă
16. Ușă din spate

Română (Traducere din versiunea originală a instrucțiunilor)

CABLU DE CONTROL MOTOR

Cablul de control al motorului, situat pe mânerul superior al mașinii de tuns, cuplează și decuplează motorul și lama.

CHEIE COMUTATOR

Cheia comutator trebuie să fie introdusă înainte ca să poată fi pornită mașina de tuns iarba.

DUZĂ PENTRU MULCIRE

Mașina dvs. de tuns este echipată cu o duză de mulcire care acoperă deschiderea de evacuare posterioară, care permite lamei mașinii de tuns să taie în mod repetat pentru fire mai scurte.

DEFLECTOR EVACUARE LATERALĂ

Utilizați deflectorul pentru evacuare laterală la mașina dvs. de tuns atunci când iarba este prea înaltă pentru mulcire sau atunci când preferați evacuarea laterală. Firele de iarbă tăiate produse atunci când se utilizează deflectorul de evacuare laterală sunt considerabil mai mari decât cele obținute atunci când se utilizează duza de mulcire și placă de mulcire laterală.

UȘĂ EVACUARE LATERALĂ

Mașina dvs. de tuns este echipată cu o ușă care acoperă deschiderea de evacuare laterală, care permite lamei mașinii de tuns să taie în mod repetat iarba pentru fire mai scurte dacă duza pentru mulcire este cuplată, altfel trimite firele de iarbă tăiate la sacul de colectare.

- În cazul în care orice piesele sunt deteriorate sau lipsesc, vă rugăm să sunați la centrul de service Greenworks tools pentru asistență.

LISTĂ DE EXPEDIERE

- Mașină de tuns gazon
- Cheie baterie
- Colector de iarbă
- Duză pentru mulcire
- Deflector evacuare laterală
- Manualul operatorului
- Butoane rotative
- Șuruburi

⚠ AVERTISMENT

Dacă orice piesă este deteriorată sau lipsă nu operați acest produs până când piesele nu sunt înlocuite. Utilizarea unui produs cu piese deteriorate sau lipsă ar putea duce la vătămări corporale grave.

⚠ AVERTISMENT

Nu încercați să modifi cați acest produs sau să creați accesorii nerecomandate pentru folosirea cu acest produs. Orice transformare sau modifi care înseamnă întrebuițare abuzivă și poate rezulta în condiții periculoase ce pot duce la vătămare personală gravă.

MONTARE

DEZAMBALAREA

Acest produs necesită asamblare.

- Îndepărtați cu grijă produsul și orice accesorii din cutie. Asigurați-vă că toate elementele enumerate în lista de ambalare sunt incluse.

⚠ AVERTISMENT

Nu utilizați acest produs în cazul în care orice piese de pe lista de expediere sunt deja asamblate la produsul dvs. când îl despachetați. Piesele de pe această listă nu sunt asamblate la produs de către producător și necesită instalarea de către client. Utilizarea unui produs asamblat greșit ar putea duce la vătămări corporale grave.

- Inspectați produsul cu atenție pentru a vă asigura că nici o spargere sau defecțiune nu a survenit în timpul transportului.
- Nu aruncați ambalajul până când nu inspectați cu atenție și nu utilizați în mod satisfăcător produsul.

⚠ AVERTISMENT

Nu introduceți cheia bateriei până când asamblarea nu este finalizată și nu sunteți gata să tundeți iarba. Neurmarea acestei avertizări poate rezulta în pornire accidentală și posibilă vătămare personală gravă.

⚠ AVERTISMENT

Pentru a preveni pornirea accidentală care ar putea cauza vătămări corporale grave, scoateți întotdeauna acumulatorul din produs atunci când asamblați piesele.

⚠ AVERTISMENT

Nu utilizați mașina de tuns iarba fără dispozitivele de siguranță adecvate montate și în stare de funcționare. Nu operați niciodată mașina cu dispozitivele de siguranță deteriorate. Neurmarea acestei avertizări poate rezulta în vătămare personală gravă.

Română (Traducere din versiunea originală a instrucțiunilor)

DESFACEREA ȘI REGLAREA MÂNERULUI INFERIOR

A se vedea figura 2.

- Trageți și rotiți mânerul rotativ la 90° pe ambele părți pentru a slăbi mânerul inferior de pe ambele părți.
- Mutați mânerul inferior în poziția de lucru. Puteți ridica sau coborîți mânerul la o poziție confortabilă pentru dvs. Există 3 poziții din care să alegeți. Eliberați mânerul rotativ pentru a bloca în poziție mânerul inferior.

NOTĂ: Asigurați-vă că ambele părți sunt reglate în aceeași poziție pentru o asamblare corespunzătoare.

INSTALAREA MÂNERULUI SUPERIOR

A se vedea figura 3.

- Aliniați găurile de montare de pe mânerul superior și de pe mânerul inferior. Introduceți șuruburile de fixare și folosiți butoanele rotative pentru a le strânge. Repetați operația și pe cealaltă parte.

INSTALAREA COLECTORULUI DE IARBĂ

A se vedea figura 4.

- Ridicați ușa de golire posterioară.
- Ridicați mașina de tuns iarba de mânerul sale și așezați-o sub ușa din spate de evacuare în așa fel încât cârligele mașinii de tuns iarba sunt așezate pe tija ușii.
- Eliberați ușa din spate de evacuare. Când sunt instalate corect, cârligele mașinii de tuns iarba se vor prelungi prin deschizătura ușii din spate de evacuare.

INSTALAREA DUZEI PENTRU MULCIRE

A se vedea figura 5.

- Ridicați și țineți sus ușa de evacuare posterioară.
- Apucați duza pentru mulcire de mâner și introduceți-o la un unghi mic, după cum este indicat.
- Împingeți duza de mulcire fix în poziție.
- Coborâți ușa de evacuare posterioară.

INSTALAREA DEFLECTORULUI DE DESCĂRCARE LATERALĂ

A se vedea figura 6.

OBSERVAȚIE: Când utilizați de ector de evacuare laterală, nu instalați colectorul de iarbă. Duza de mulcire trebuie să rămână instalată.

- Ridicați ușa de evacuare laterală.
- Aliniați cârligele de pe de ector cu tija balamalei de pe partea inferioară a ușii.
- Coborâți de ectorul până când cârligele xate pe tija balamalei ușii de mulcire.

- Eliberați de ector și ușa laterală de evacuare laterală.

REGLAREA ÎNĂLȚIMII LAMEI

A se vedea figura 7.

Atunci când e livrată, roțile mașinii de tuns sunt reglate la poziția de tundere joasă. Înainte de folosirea mașinii pentru prima oară, reglați poziția de tundere la înălțimea optimă. Gazonul mediu ar trebui să fi e între 38 mm și 51 mm în timpul lunilor reci și între 51 mm și 70 mm în timpul lunilor calde.

Pentru a ajusta înălțimea lamei

- Pentru a ridica înălțimea lamei, apucați maneta de ajustare a înălțimii și mutați-o înainte spre spatele mașinii de tuns.
- Pentru a micșora înălțimea lamei, apucați maneta de ajustare a înălțimii și mutați-o înainte înspre partea din față a mașinii de tuns.

UTILIZARE

⚠ AVERTISMENT

Nu slăbiți vigilența odată ce vă simțiți familiarizat cu aparatul. Nu uitați niciodată că o secundă de neatenție este suficientă pentru a vă răni foarte grav.

⚠ AVERTISMENT

Purtați întotdeauna ochelari de protecție. Nerespectarea acestei reguli poate antrena proiectarea de corpuri străine în ochi și poate provoca răni oculare grave.

⚠ AVERTISMENT

Nu utilizați alte piese sau accesorii decât cele recomandate de către producătorul acestui aparat. Utilizarea de piese sau accesorii nerecomandate poate prezenta riscuri de răni grave.

⚠ AVERTISMENT

Verifiți cați întotdeauna mașina de tuns pentru piese lipsă sau deteriorate și lama pentru deteriorare, asperități sau uzură excesivă înainte de utilizare. Utilizarea unui produs cu piese deteriorate sau lipsă ar putea duce la vătămări corporale grave.

- Nu înclinați mașina de tuns gazonul când porniți motorul, cu excepția cazului în care mașina de tuns iarba trebuie să fi e înclinată pentru pornire. În acest caz, nu îl înclinați mai mult decât este absolut necesar și ridicați numai partea care este departe de operator.

Română (Traducere din versiunea originală a instrucțiunilor)

- Nu porniți motorul când stați în fața jgheabului de golire.
- Nu puneți mâinile sau picioarele în apropierea sau sub piesele în rotație. Stați întotdeauna la distanță de deschidere de evacuare.

Pentru instrucțiuni complete de încărcare, consultați Manualul de operare cu privire la acumulatori și încărcătoare, prezentate în secțiunea de specii cații.

PENTRU A INSTALA ACUMULATORUL

A se vedea figura 8.

- Ridicați și țineți sus capacul acumulatorului.
- Alinați bateria cu portul bateriei mașinii de tuns iarba.
- Asigurați-vă că butonul de eliberare a bateriei face un clic la fixare și că bateria este complet așezată și fixă în mașina de tuns iarba, înainte de a începe operarea ei.
- Introduceți cheia bateriei.
- Dacă aparatul nu este folosit imediat nu introduceți cheia bateriei.
- Închideți ușa.

PENTRU A SCOATE ACUMULATORUL

A se vedea figura 8.

- Eliberați maneta de alimentare electrică pentru a opri produsul.
- Deschideți ușița bateriei pentru a accesa compartimentul bateriei.
- Scoateți cheia bateriei.
- Apăsăți butonul de eliberare a bateriei de pe mașina de tuns iarba. Acest lucru va face ca bateria să se ridice ușor din aparat.
- Scoateți acumulatorul din produs.

PORNIREA/OPRIREA MAȘINII DE TUNS GAZON

A se vedea figura 9.

- Apăsăți și țineți apăsat butonul de blocare de siguranță.
- Trageți de maneta de alimentare în sus către mâner pentru a porni mașina de tuns iarba și eliberați butonul de blocare de siguranță.
- Pentru a opri mașina de tuns iarba eliberați maneta de control al comutatorului.

NOTĂ: Un zgomot strident și scânteie poate să aibă loc când motorul decelerează.

TUNDERE IARBĂ ÎN MOD AUTO-PROPULSAT

A se vedea Figura 9.

Pentru a activa caracteristica de auto-propulsare:

- Deschideți ușița bateriei.
- Introduceți cheia.
- Introduceți cheia bateriei.
- Trageți în sus pârghia pentru funcționare autonomă până când se întâlnește cu mânerul.

Pentru a dezactiva caracteristica de auto-propulsare:

- Eliberați pârghia pentru funcționare autonomă.

Pentru reglarea vitezei la caracteristica de auto-propulsare:

- Trageți pârghia de control variabil a vitezei înspre simbolul lepure (Rabbit) pentru a crește viteza.
- Împingeți pârghia de control variabil a vitezei înspre simbolul Broască Țestoasă (Turtle) pentru a scădea viteza.

SFATURI DE TUNDERE

- Asigurați-vă că în gazon nu se află pietre, crengi, cabluri și alte obiecte care ar putea deteriora lamele sau motorul mașinii de tuns iarba. Nu tundeți iarba de deasupra țărșurilor de hotar sau de deasupra altor stâlpi de metal. Astfel de obiecte pot fi accidental aruncate de mașina de tuns în orice direcție și pot cauza vătămare personală gravă operatorului sau altor persoane.
- Pentru un gazon sănătos, tăiați întotdeauna o treime sau mai puțin din lungimea totală a ierbii.
- Nu tăiați iarbă udă, se va lipi de partea de jos a mașinii și va împiedica încărcarea sau golirea corespunzătoare a ierbii tăiate.
- Iarba nouă sau deasă poate necesita o tăiere mai îngustă sau o înălțime mai mare de tăiere.
- Curățați partea de dedesubt a punții mașinii de tuns după fiecare folosire, pentru a îndepărta iarba tăiată, frunzele, mizeria sau orice resturi acumulate.
- Atunci când tăiați iarbă înaltă, reduceți viteza de înaintare pentru a permite o tăiere mai bună și o golire corespunzătoare a ierbii tăiate.

NOTĂ: Opriti întotdeauna mașina de tuns iarba, lăsați lamele să se oprească complet și scoateți cheia bateriei înainte de a curăța partea de dedesubt a mașinii de tuns iarba.

Română (Traducere din versiunea originală a instrucțiunilor)

OPERAREA PE PANTĂ

⚠ AVERTISMENT

Pantele sunt un factor major legat de alunecare și alte accidente prin cădere și pot cauza vătămare serioasă. Operarea pe pante, necesită atenție suplimentară. Dacă simțiți că nu e ușor să operați pe pantă nu operați. Pentru siguranța dvs, nu încercați să tundeți pe pante mai mari de 15 grade.

⚠ AVERTISMENT

Vă rugăm mențineți pe auto-propulsie la viteză mică atunci când tundeți gazonul pe o pantă.

- Tundeți de-a latul pantei, niciodată sus și în jos. Acordați atenție maximă atunci când schimbați direcția pe pantă.
- Fiți atent la găuri, brazde, pietre, obiecte ascunse sau dâlme ce vă pot cauza alunecarea sau derapați. Iarba înaltă poate ascunde obstacole. Îndepărtați toate obiectele precum pietrele, buștenii de copac etc ce ar putea să alunece înspre dvs sau să fie aruncate de lamă.
- Trebuie să stați întotdeauna într-o poziție stabilă. O alunecare și cădere pot provoca accidente grave cu caracter personal. Dacă simțiți că vă pierdeți echilibrul, eliberați maneta de alimentare electrică imediat.
- Nu tundeți lângă pante, șanțuri sau diguri; puteți pierde sprijinul pe picioare sau echilibrul.

GOLIREA COLECTORULUI DE IARBĂ

A se vedea figura 10.

- Opriti aparatul, lăsați lama să se oprească complet și scoateți cheia bateriei. lăsați lamele să se oprească complet și scoateți cheia de contact.
- Ridicați ușa din spate.
- Ridicați colectorul de iarbă de mâner pentru a-l scoate de pe mașina de tuns.
- Goliți iarba tăiată.
- Ridicați ușa din spate și reinstalați colectorul de iarbă cum este descris mai înainte, în acest manual.

ÎNTREȚINEREA

⚠ AVERTISMENT

Înainte de a efectua orice întreținere, asigurați-vă că bateria aparatului de tuns iarba și cheia bateriei sunt scoase pentru a Evita pornirea accidentală și posibila vătămare personală gravă.

⚠ AVERTISMENT

Pentru a preveni pornirea accidentală sau folosirea neautorizată, mașina fără cablu de tuns iarba este echipată cu o cheie de siguranță detașabilă. Pentru a dezactiva complet mașina de tuns iarba, cheia de siguranță trebuie scoasă și păstrată într-un loc ferit de mașina de tuns iarba sau de copii.

⚠ AVERTISMENT

În timpul lucrărilor de service, utilizați doar piese de schimb autorizate. Folosirea oricăror altor piese poate crea pericol sau cauza deteriorarea produsului.

⚠ AVERTISMENT

Feriți compartimentele motorului și al acumulatorului de iarbă, frunze sau de vaselină în exces. Acest lucru va ajuta la reducerea riscului de incendiu.

ÎNTREȚINERE GENERALĂ

Înainte de a fi utilizate, verificați întregul produs pentru piese deteriorate, lipsă, sau care se desprind, cum ar fi șuruburi, piulițe, bolțuri, capace etc.

Strângeți bine toate elementele de fixare și capacele și nu utilizați acest produs până când nu montați la loc toate piesele lipsă sau deteriorate. Vă rugăm să sunați Serviciul pentru clienți Greenworks tools pentru asistență. Evitați să folosiți solvenți pentru curățarea pieselor din plastic. Majoritatea pieselor din plastic sunt susceptibile să se deterioreze de la tipurile diferite de solvenți comerciali și pot fi deteriorate. Utilizați cârpe curate pentru a îndepărta praful, uleiul, vaselina etc.

⚠ AVERTISMENT

Pentru a reduce riscul de deteriorări și de pericol, nu curățați niciodată scula cu aparatul de curățat cu presiune înaltă sau sub apă de la robinet.

⚠ AVERTISMENT

A se depozita numai în interior. Întotdeauna îndepărtați acumulatorul din mașina de tuns și din încărcător când curățați sau depozitați scula.

Română (Traducere din versiunea originală a instrucțiunilor)

⚠ AVERTISMENT

Nu lăsați deloc lichidul de frână, benzina, produsele pe bază de petrol, uleiurile penetrante etc., să intre în contact cu piesele din plastic. Produsele chimice pot deteriora, slăbi sau distruge plasticul, ceea ce poate cauza vătămări grave.

Verifi cați periodic toate șuruburile și piulițele dacă sunt strânse corespunzător pentru a asigura o operare în siguranță a mașinii de tuns.

Ștergeți mașina uneori cu o cârpă uscată. Nu folosiți apă.

LUBRIFIEREA

Toți rulmenții din acest produs sunt lubrifiați cu o cantitate suficientă de lubrifiant de calitate înaltă pentru durata de funcționare a produsului în condiții de folosire normale. De aceea, nu e necesară lubrifiere suplimentară.

⚠ AVERTISMENT

Protejați-vă mereu mâinile purtând mănuși și/ sau înveliți marginile de tăiere a lamei cu resturi de hârtie sau alte materiale atunci când efectuați întreținerea lamei. Contactul cu lama poate cauza vătămări corporale grave.

⚠ AVERTISMENT

Nu lubrifiați nicio componentă a roții. Ungerea poate provoca defectarea componentelor roții în timpul utilizării, ceea ce ar putea cauza vătămarea corporală gravă a operatorului și / sau pagube materiale sau ale mașinii de tuns.

ÎNLOCUIREA LAMEI DE TĂIERE

A se vedea figura 11-12.

OBSERVAȚIE: Folosiți doar lame de înlocuire autorizate. Înlocuiți lamele și șuruburile uzate sau deteriorate în seturi pentru a menține echilibrul.

- Opriti motorul și scoateți cheia bateriei. Lăsați lama să se oprească complet.
- Scoateți acumulatorul.
- Întoarceți mașina pe o parte.
- Fixați o pană de lemn între lamă și puntea mașinii pentru a preveni învârtirea lamei.
- Slăbiți șurubul lamei rotindu-l în sens invers acelor de ceas (așa cum este văzut de la baza mașinii de tuns iarba) folosind o cheie de 27 mm (nefurnizată).
- Îndepărtați șurubul lamei și lama.

- Puneți noua lamă pe coloană. Asigurați-vă că lama este corespunzător așezată cu coloana mergând prin centrul găurii lamei și cei doi stâlpi ai lamei pe ventilatorul introdus în respectivele găuri ale lamei. Asigurați-vă că este instalat cu capetele curbate îndreptate înspre corpul mașinii de tuns iarba și nu îndreptate înspre sol. Atunci când este așezată corespunzător, lama trebuie să fie dreaptă față de ventilator.
- Înșurubați șurubul lamei de pe coloană și strângeți cu degetele.
- Strângeți la cuplu piulița lamei în sens orar folosind o cheie dinamometrică (nu este furnizată) pentru a vă asigura că șurubul este bine strâns. Cuplul recomandat pentru piulița de lamă este de 62,5 ~ 71,5 cm kgf (350 - 400 inch lb).

OCROTIREA MEDIULUI ÎNCONJURĂTOR

- Ocrotirea mediului înconjurător reprezintă un aspect important și prioritar atunci când utilizăm mașina, spre beneficiul unei coabitări civilizate și a mediului în care trăim. Evitați să deranjați persoanele din vecinătate.
- Respectați cu strictețe normele în vigoare la nivel local pentru eliminarea ambalajelor, uleiurilor, benzinei, filtrelor, părților deteriorate sau a oricărui alt element ce ar putea afecta mediul înconjurător; aceste deșeuri nu vor fi aruncate în lada de gunoi, ci vor fi separate și duse la centrele de colectare autorizate, care se ocupă de reciclarea materialelor în cauză.
- Urmați cu strictețe normele locale în vigoare pentru eliminarea deșeurilor rezultate în urma tăierii.
- Când mașina nu mai este utilizabilă, nu o abandonați în mediul înconjurător, ci contactați un centru de colectare, conform normativelor în vigoare la nivel local.

Română (Traducere din versiunea originală a instrucțiunilor)


REMEDIEREA DEFECȚIUNILOR

Problemă	Cauză posibilă	Soluție
Mănerul nu este în poziție.	Șuruburile de susținere nu sunt poziționate corect.	Reglați înălțimea mânerului și asigurați-vă că șuruburile de susținere sunt așezate corect.
Mașina de tuns nu pornește.	Acumulatorul este descărcat.	Încărcați acumulatorul.
	Acumulatorul este fi e defect, fi e nu se încarcă.	Înlocuiți la loc acumulatorul.
	Cheia bateriei nu este introdusă.	Introduceți cheia bateriei.
Mașina de tuns taie iarba neuniform.	Gazonul este dur, neuniform sau înălțimea de tăiere nu este setată corect.	Mutați roțile într-o poziție mai înaltă. Toate roțile trebuie să fi e plasate la aceeași înălțime de tăiere pentru ca mașina să tundă uniform.
Mașina de tuns nu acoperă cu strat protector în mod corespunzător.	Firele de iarbă tăiate umede se lipesc pe partea inferioară a mesei.	Așteptați până când se usucă iarba, înainte de tundere.
Mașina de tuns este greu de împins.	Iarbă înaltă, carcasa din spate a mașinii sau lama se târăște în iarba grea, ori înălțimea lamei de tăiere prea joasă.	Ridicați înălțimea de tăiere.
Mașina de tuns nu colectează în mod corespunzător.	Înălțimea de tăiere este setată prea jos.	Ridicați înălțimea de tăiere.
Mașina vibrează la viteză mai mare	Lama este dezechilibrată, uzată excesiv sau inegal.	Înlocuiți lama.
	Arborele motorului este îndoit.	Opriti motorul, scoateți cheia de contact și bateria, deconectați sursa de alimentare și verificați dacă există daune. Duceți la reparat la un centru service autorizat înainte repornirii.
Motorul se oprește în timpul tunderii.	Înălțimea de tăiere este setată prea jos.	Ridicați înălțimea de tăiere.
	Acumulatorul nu are nici o putere.	Încărcați acumulatorul.

Dacă aceste soluții nu rezolvă problema contactați reprezentantul dvs. autorizat de service.

България (Превод от оригиналните инструкции)

СПЕЦИФИКАЦИИ НА ПРОДУКТА

Косачка за трева	2502907
Ширина на рязане	46 cm
Височина на подрязване	25 mm - 80 mm
Скорост в ненатоварен режим	2800 rpm
Скорост на автоматичното придвижване	0.5-1.5 m/s
ниво на звуково налягане	LpA :73 dB(A), K:3.0
Измерено ниво на звукова мощност	LwA :85.5 dB(A)
Ниво на вибрации	<2.5 m/s ² , K=1.5
Вместимост на кутията за трева	52 L
Нетно тегло	28 kg
Резервно острие	2920407
Батерия	Литиево-йонни
Номер на модела	2918307 / 2918407
Зарядно устройство за батериите	
Номер на модела	2918507
Двойно изолирана конструкция	

ОПИСАНИЕ

1. Лост за захранване
2. Кабел за управление на двигателя
3. Бутон за стартиране
4. Горна ръкохватка
5. Долна ръкохватка
6. Лост с регулируема височина
7. Врата за батерияте
8. Предно колело
9. Задно колело
10. Кутия за трева
11. Батерия
12. Врътка на ръкохватния прът
13. Врътка
14. болта

15. Ръкохватка на кутията за трева
16. Задна врата
17. Заден отвор за изхвърляне
18. Лост на вратата
19. Куки
20. Острие
21. Вал на двигателя
22. Вентилатор
23. Болт на острието
24. Подпори на острието
25. Бутон за освобождаване на акумулаторната батерия
26. Приспособление за мулчиране
27. Отклонител за странично изхвърляне
28. Странична врата за изхвърляне
29. Парче дърво (не е включен)
30. Гаечен ключ (не е включен)
31. Ключ на акумулаторната батерия
32. Лост за автоматично придвижване
33. Бутони за управление на скоростта за автоматично придвижване

ПРЕДУПРЕЖДЕНИЕ

Използването на други батерии може да доведе до риск от пожар, токов удар или физическо увреждане.

ОПОЗНАЙТЕ КОСАЧКАТА ЗА ТРЕВА

Виж *Фигура 1*.

За да работите безопасно с продукта, е необходимо да разберете информационните маркери по машината и инструкциите в това ръководство, както и да сте добре запознати със задачата, с която се заемате. Преди да използвате този продукт, се запознайте с всичките му работни функции и правила по безопасност.

ИНДИКАТОР ЗА НИВОТО НА БАТЕРИЯТА

Индикаторът за батерията измерва количеството заряд, оставаш в батерията.

КУТИЯ ЗА ТРЕВА

Кутията за трева събира отрязаната трева и не позволява тя да се разпръсне по тревната площ, докато косите.

България (Превод от оригиналните инструкции)

ЛОСТ С РЕГУЛИРУЕМА ВИСОЧИНА

Лостът за регулиране на височината служи за регулирана не височината на рязане.

КАБЕЛ ЗА УПРАВЛЕНИЕ НА ДВИГАТЕЛЯ

Кабелът за управление на двигателя, който се намира в горната ръкохватка на косачката, активира и деактивира двигателя и острието.

ПРЕВКЛЮЧАТЕЛЕН КЛЮЧ

Превключвателният ключ трябва да се постави, за да може да се стартира косачката.

ПРИСПОСОБЛЕНИЕ ЗА МУЛЧИРАНЕ

Косачката е снабдена с приспособление за мулчиране, което прикрива задния отвор за изхвърляне, което позволява острието на косачката да реже по-fino тревата.

ОТКЛОНИТЕЛ ЗА СТРАНИЧНО ИЗХВЪРЛЯНЕ

Използвайте отклонителя за странично изхвърляне на косачката, когато тревата е твърде висока за мулчиране или когато се предпочитат странично изхвърляне. Изрязаната трева, която се натрупва при използване на отклонителя за странично изхвърляне, е значително по-голяма от тази, която се натрупва при използване на приспособлението за мулчиране и страничната пластина за мулчиране.

СТРАНИЧНА ВРАТА ЗА ИЗХВЪРЛЯНЕ

Косачката е снабдена с врата, която прикрива отвора за странично изхвърляне, което позволява острието на косачката да реже тревата на по-фини парчета, ако се използва приспособлението за мулчиране или да изпраща отрязаната трева в торба за смет.

СГЛОБЯВАНЕ

РАЗОПАКОВАНЕ

Този продукт изисква сглобяване.

- Внимателно извадете продукта и принадлежностите от кутията. Уверете се, че са налични всички елементи, включени в опис на пакета.

▲ ПРЕДУПРЕЖДЕНИЕ

Не използвайте този продукт, ако при разопаковането му някои части, включени в опис на пакета, вече са сглобени. Частите, включени в този опис, не са фабрично сглобени, а трябва клиентът сам да ги сглоби. Използването на неправилно сглобен продукт може да доведе до сериозни физически наранявания.

- Огледайте внимателно продукта, за да се уверите, че не са възникнали повреди или счупвания по време на транспорта.
- Огледайте внимателно продукта и се уверете, че работи правилно, преди да изхвърлите опаковъчния материал.
- Ако има липсващи или повредени части, се обърнете за помощ към сервиз на Greenworks tools.

ОПИС НА ПАКЕТА

- Косачка за трева
- Ключ на акумулаторната батерия
- Кутия за трева
- Приспособление за мулчиране
- Отклони тел за странично изхвърляне
- Ръководство за оператора
- Врътки
- Болтове

▲ ПРЕДУПРЕЖДЕНИЕ

Ако има липсващи или повредени части, не използвайте този продукт, преди те да бъдат заменени. Използването на продукт при наличието на повредени или липсващи части може да доведе до сериозни физически наранявания.

▲ ПРЕДУПРЕЖДЕНИЕ

Не опитвайте да промените този продукт или да създавате принадлежности, които не са препоръчани за употреба с него. Всяка подобна поправка или промяна е некоректна употреба и може да създаде опасни условия и да нанесе сериозни физически наранявания.

България (Превод от оригиналните инструкции)

⚠ ПРЕДУПРЕЖДЕНИЕ

Не поставяйте ключа на акумулаторната батерия, докато не приключи монтажа и докато не сте готови за косене. Неспазването на това предупреждение може да доведе до случайно стартиране на уреда и евентуални сериозни наранявания.

⚠ ПРЕДУПРЕЖДЕНИЕ

За да избегнете случайно стартиране, което може да доведе до сериозни физически наранявания, винаги отстранявайте батерията от продукта по време на слобяване.

⚠ ПРЕДУПРЕЖДЕНИЕ

Никога не използвайте косачката, ако не са поставени подходящите предпазни средства или ако не функционират. Не използвайте косачката, ако има повредени предпазни устройства. Боравенето с този продукт при наличието на такива, може да доведе до сериозни физически наранявания.

РАЗГЪВАНЕ И РЕГУЛИРАНЕ НА ДОЛНИЯ РЪКОХВАТЕН ПРЪТ

Виж *Фигура 2*.

- Изтеглете и завъртете врътките на ръкохвата прът на 90° от двете страни, за да освободите двата ръкохватни пръта.
- Преместете долните ръкохватни прътове в работна позиция. Може да ги повдигате или снишавате до удобна за вас позиция. Можете да изберете измежду 3 позиции. Освободете врътките, за да застопорите ръкохватните пръти във фиксирана позиция.

ЗАБЕЛЕЖКА: За правилно монтиране е необходимо двата ръкохватни пръта да са в една и съща позиция и от двете страни.

INSTALLING THE UPPER HANDLE

Виж *Фигура 3*.

- Напаснете едни към други монтажните отвори на долния и горния ръкохватен прът. Поставете крепежните болтове и ги затегнете с помощта на врътките. Повторете действието от другата страна.

ПОСТАВЯНЕ НА КУТИЯТА ЗА ТРЕВА

Виж *Фигура 4*.

- Повдигнете задната врата за изхвърляне.
- Повдигнете колектора за трева за ръкохватката и го поставете под задната врата за изхвърляне, така че куките на колектора да бъдат застопорени

върху лоста на вратата.

- Освободете задната врата за изхвърляне. При правилно монтиране куките на колектора за трева ще се закачат през отворите на задната врата за изхвърляне.

ПОСТАВЯНЕ НА ПРИСПОСОБЛЕНИЕТО ЗА МУЛЧИРАНЕ

Виж *Фигура 5*.

- Повдигнете и задържете задната врата за изхвърляне.
- Ханете приспособлението за мулчиране за ръкохватката му и го поставете под малък ъгъл, както е показано.
- Натиснете го, за да се застопори стабилно на място.
- Смыкнете задната врата за изхвърляне.

ПОСТАВЯНЕ НА СТРАНИЧНИЯ ОТКЛОНИТЕЛ ЗА ИЗХВЪРЛЯНЕ

Виж *Фигура 6*.

ЗАБЕЛЕЖКА: При използване на отклонителя за странично изхвърляне, не поставяйте кутията за трева. Приспособлението за мулчиране трябва да е поставено.

- Повдигнете страничната врата за изхвърляне.
- Подравнете куките на отклонителя с шарнирния лост в долната част на вратата.
- Наклонете отклонителя, докато куките се фиксират за шарнирния лост на вратата за мулчиране.
- Отпуснете отклонителя и страничната врата за изхвърляне.

РЕГУЛИРАНЕ НА ВИСОЧИНАТА НАОСТРИЕТО

Виж *Фигура 7*.

По време на транспорта колелата на косачката са поставени в позиция за ниско рязане. Преди да използвате за първи път косачката, регулирайте острието в позиция за рязане на най-подходящата за вашата поляна височина. Средната височина на тревата трябва да е между 38 mm и 51 mm през студентите месеци и между 51 mm и 70 mm през топлите.

Регулиране височината на острието

- Дръпнете лоста за настройка на височината към задната част на косачката, за да я увеличите.
- Натиснете лоста за настройка на височината към предната част на косачката, за да я намалите.

България (Превод от оригиналните инструкции)

РАБОТА

▲ ПРЕДУПРЕЖДЕНИЕ

Не позволявайте доброто познаване на продуктите да отслаби бдителността ви. Запомнете, че миг невнимание е достатъчен за нанасянето на сериозни наранявания.

▲ ПРЕДУПРЕЖДЕНИЕ

Винаги носете защитни очила. Несъобразяването с това предупреждение може да доведе до попадане на чужди частици в очите ви и евентуални сериозни наранявания.

▲ ПРЕДУПРЕЖДЕНИЕ

Не използвайте никакви приставки и принадлежности, които не са препоръчани от производителя на този продукт. Използването на неепоръчани приставки и принадлежности може да доведе до сериозни физически наранявания.

▲ ПРЕДУПРЕЖДЕНИЕ

Преди употреба Винаги проверявайте косачката за липсващи или повредени части, както и острието за повреда, неравномерно или прекомерно износване. Използването на продукт при наличието на повредени или липсващи части може да доведе до сериозни физически наранявания.

- Не накланяйте косачката за трева при стартиране на двигателя или включването на мотора, освен ако това не е наложително. В такъв случай не накланяйте повече от абсолютно необходимото и повдигайте само тази част, която е далеч от оператора.
- Не стартирайте двигателя, докато сте пред улея за изхвърляне на трева.
- Не поставяйте ръцете или краката си близо до или под въртящите се части. Винаги стойте далеч от отвора за изхвърляне.

За пълните указания за зареждане вижте ръководството за оператора за батериите и зарядните устройства, посочени в раздела със спецификациите.

ПОСТАВЯНЕ НА БАТЕРИЯ

Виж *Фигура 8*.

- Повдигнете и задръжте капака на батерията.
- Напаснете акумулаторната батерия спрямо отделението за батерията на косачката.

- Бутонът за освобождаване на батерията трябва да шракне на мястото си, а самата акумулаторна батерия трябва да е поставена стабилно в косачката, преди да започнете работа с уреда.
- Поставете ключа на акумулаторната батерия.
- Ако машината няма да се използва незабавно, не поставяйте ключа на акумулаторната батерия.
- Затворете вратата.

ИЗВАЖДАНЕ НА БАТЕРИЯТА

Виж *Фигура 8*.

- Отпуснете лоста за захранване, за да спрете продукта.
- Отворете вратичката за акумулаторната батерия, за да стигнете до нейното отделение.
- Отстранете ключа на акумулаторната батерия.
- Натиснете бутона за освобождаване на батерията от косачката. Акумулаторната батерия леко ще се подаде навън от уреда.
- Извадете батерията от продукта.

СТАРТИРАНЕ СПИРАНЕ НА КОСАЧКАТА

Виж *Фигура 9*.

- Натиснете и задръжте фиксатора на спусъка.
- Дръпнете дроселния лост нагоре към ръкохватката, за да стартирате косачката и да освободите фиксатора на спусъка.
- За да спрете косачката, отпуснете контролния превключвателен лост.

ЗАБЕЛЕЖКА: При спирането на електромотора е възможно да се чуе силен шум и да се появят искри. Това е нормално.

КОСЕНЕ С АВТОМАТИЧНО ПРИДВИЖВАНЕ

вж. *фигура 9*.

За да активирате функцията за автоматично придвижване:

- Отворете отделението за акумулаторната батерия.
- Поставете акумулаторната батерия.
- Поставете ключа на акумулаторната батерия.
- Дръпнете лоста за автоматично придвижване нагоре към ръкохватката.

За да деактивирате функцията за автоматично придвижване:

- Освободете лоста за автоматично придвижване.

За да регулирате скоростта на функцията за автоматично придвижване:

- Дръпнете лоста за регулиране на скоростта към символа на заек, за да увеличите скоростта.
- Натиснете лоста за регулиране на скоростта към символа на костенурка, за да намалите скоростта.

България (Превод от оригиналните инструкции)

СЪВЕТИ ПРИ КОСЕНЕ

- Уверете се, че по поляната няма камъни, клечки, тел и други предмети, които могат да повредят острието или двигателя. Не косете над стопански огради или други метални стълбове. Косачката може да захвърли предмети, влезли в контакт с нея, в случайна посока и да нарани оператора или други лица, стоящи наблизо.
- За поддържане на добра тревна площ винаги подрязвайте една трета или по-малко от общата дължина на тревата.
- Не режете влажна трева, тя ще залепне от долната страна на корпуса и ще попречи на правилното събиране или изхвърляне на материал.
- За млада или дебела трева може да се наложи потесен път или по-голяма височина на рязане.
- Почиствайте долната страна на корпуса от изрязана трева, листа, кал и други насъбрани отпадъци след всяка употреба.
- При косене на висока трева забравете хода си за по-голяма ефективност и правилно изхвърляне на отрязаната трева.

ЗАБЕЛЕЖКА: Преди почистване на долната част на косачката винаги я спирайте, изчакайте остриетата да спрат напълно и сваляйте ключа на акумулаторната батерия.

РАБОТА ПОД НАКЛОН

ПРЕДУПРЕЖДЕНИЕ

Наклонените терени често са причина за подхлъзване и падане, които могат да доведат до тежки физически наранявания. Косенето под наклон изисква повишено внимание. Ако не се чувствате сигурни, не косете терени, които са под наклон. От съображения за безопасност не косете, ако наклонът е по-голям от 15 градуса.

ПРЕДУПРЕЖДЕНИЕ

Моля, поддържайте ниска скорост на автоматично придвижване, когато косите нагоре по наклон.

- Косете наклонените повърхности напред, никога нагоре и надолу. Бъдете особено бдителни при смяна на посоката на наклона.
- Внимавайте за дупки, бразди, камъни, скрити предмети или издутини, които могат да причинят подхлъзване или препъване. Във високата трева може да се крият препястствия. Прочиствайте терена от камъни, клони и други предмети, в които може да се спънете или да бъдат отхвърлени при контакт с острието.

- Винаги стъпвайте внимателно и стабилно. Подхлъзване или падане може да доведе до сериозни физически наранявания. Ако усетите, че губите равновесие, незабавно пуснете лоста за захранване.
- Не косете в близост до насипи, канавки или диги; може да загубите равновесие.

ИЗПРАЗВАНЕ НА КУТИЯТА ЗА ТРЕВА

Виж *Фигура 10*.

- Спрете косачката, изчакайте, докато острието спре напълно и извадете ключа на акумулаторната батерия.
- Повдигнете задната врата.
- Повдигнете кутията за трева за ръкохватката и я отстранете от косачката.
- Изхвърлете отрязаната трева.
- Повдигнете задната врата и поставете отново кутията за трева, както е описано по-нагоре в това ръководство.

ПОДДРЪЖКА

ПРЕДУПРЕЖДЕНИЕ

Преди профилактика се уверете, че батерията на косачката и ключът на акумулаторната батерия са свалени, за да избегнете случайно стартиране и възможността за физическо нараняване.

ПРЕДУПРЕЖДЕНИЕ

За да се предотврати случайно стартиране или употреба от неупълномощени лица, безжичната косачка за трева е оборудвана с подвижен бутон за сигурност. За да деактивирате косачката напълно, трябва да свалите бутона за сигурност и да го съхранявате на друго, недостъпно за деца място.

ПРЕДУПРЕЖДЕНИЕ

При ремонт използвайте само оторизирани резервни части. Използването на други части може да ви постави в опасност или да повреди продукта.

ПРЕДУПРЕЖДЕНИЕ

Поддържайте отделенията на двигателя и на батерията чисти от трева, листа и излишна смазка. Това ще помогне за намаляването на риска от пожар.

България (Превод от оригиналните инструкции)

ОСНОВНА ПОДДРЪЖКА

Преди всяка употреба проверявайте целия продукт за повредени, липсващи или разхлабени части, като винтове, гайки, болтове, капачки и др.

Затегнете здраво всички свързки и капачки и не използвайте този продукт, докато не бъдат поставени обратно всички липсващи или повредени части. Обърнете се за съдействие към отдела за обслужване на клиенти на Greenworks tools. Избягвайте използването на разтворители при почистването на пластмасовите части. Повечето пластмаси са чувствителни към различни в идове р азтворители и може да се повреди т пр и използването о на такива. Използвайте чисти парцали, за да премахнете кал, прах, масло, грес и т.н.

⚠ ПРЕДУПРЕЖДЕНИЕ

За да намалите риска от нараняване и опасността, никога не почиствайте инструмента със струя под налягане или на течаща вода.

⚠ ПРЕДУПРЕЖДЕНИЕ

Съхранявайте само на закрито. Винаги вадете батерията от косачката и зарядното, когато почиствате или прибирате инструмента за съхранение.

⚠ ПРЕДУПРЕЖДЕНИЕ

В никакъв случай не позволявайте пластмасовите части да влизат в контакт със спирачни течности, нефтени продукти, проникващи масла и т.н. Химикалите могат да повредят, отслабят или унищожат пластмасата, което може да доведе до сериозни физически наранявания.

Периодично проверявайте всички болтове и гайки, дали са затегнати, за да се гарантира безопасността ви по време на работа с косачката.

Забърсвайте косачката от време на време с парче сух плат. Не използвайте вода.

СМАЗВАНЕ

Всички лагери в този продукт за смазани с достатъчно количество висококачествено масло, което трябва да стигне за целия експлоатационен живот на инструмента при нормални работни условия. Затова не е необходимо допълнително смазване на лагерите.

⚠ ПРЕДУПРЕЖДЕНИЕ

Винаги носете защитни ръкавици или увивайте режещите ръбове на острието в парцали или друг материал, за да предпазите ръцете си, докато извършвате действия по поддръжката. Контактът с острието може да доведе до сериозни физически наранявания.

⚠ ПРЕДУПРЕЖДЕНИЕ

Не смазвайте частите на колелетата. Смазването може да доведе до изпадане на някоя от частите по време на работа и да причини нараняване на оператора или да доведе до повреда на косачката или имуществени щети.

СМЯНА НА ОСТРИЕТО

Виж *Фигура 11-12*.

ЗАБЕЛЕЖКА: Използвайте само оторизирани резервни остриета. Заменете износените или повредените остриета и болтове заедно, за да запазите баланса.

- Спрете мотора и извадете ключа на акумулаторната батерия. Изчакайте острието да спре напълно.
- Отстранете батерията.
- Поставете косачката легнала на една страна.
- Вклинете парче дърво между острието и пода, за да предотвратите завъртане на острието.
- Отвийте болта на острието, като го завъртите обратно на часовниковата стрелка (погледнато от долната страна на косачката) с помощта на 27 мм гаечен ключ или вътрешен шестостен (не са включени в доставката).
- Демонтирайте болта на острието и самото острие.
- Поставете новото острие върху оста. Уверете се, че острието е поставено правилно, като за целта оста трябва да е влязла през централния отвор за острието, а двете подпори на острието при вентилатора трябва да са вкарани в съответните им отвори. Острието трябва да е монтирано със закривените краища нагоре към корпуса на косачката, а не към земята. При правилно поставяне острието трябва да е хоризонтално спрямо вентилатора.

България (Превод от оригиналните инструкции)

- Поставете обратно болта за острието върху оста и го затегнете ръчно.
- Затегнете гайката на острието по посока на часовниковата стрелка с динамометричен ключ (не е включен в доставката), за да се уверите, че е правилно натегната. Препоръчителният момент на затягане за гайката на острието е 62.5~71.5 kgf cm (350~400 in. lb).

ОПАЗВАНЕ НА ОКОЛНАТА СРЕДА

- Опазването на околната среда трябва да бъде приоритет и важен аспект при употребата на машината, в полза на гражданското общество и на средата, в която живеем. Избягвайте да притеснявате съседите.
- Следвайте стриктно местните норми за изхвърляне на опаковките, маслата, бензина, филтрите, износените части или който и да е елемент, който може силно да замърси околната среда; тези отпадъци не могат да бъдат изхвърляни в боклука, а трябва да бъдат отделяни и предавани в специалните центрове, където ще се осъществи рециклиране на материалите.
- Следвайте стриктно местните разпоредби за изхвърляне на отпадъчни материали след косене.
- В момента на изваждане от употреба, не захвърляйте машината в околната среда, а се обърнете към събирателен пункт, съгласно действащите местни разпоредби.

България (Превод от оригиналните инструкции)


ОТСТРАНЯВАНЕ НА ПРОБЛЕМИ

Проблем	Възможна причина	Решение
Ръкохватката не е разположена.	Болтовете на шасито не са поставени правилно.	Регулирайте височината на ръкохватката и се уверете, че болтовете на шасито са поставени правилно.
Косачката не се стартира.	Батерията е с нисък заряд.	Заредете батерията.
	Батерията или не може да се използва, или не може да се зареди.	Сменете батерията.
Ключът за батерията не е поставен.	Ключът за батерията не е поставен.	Поставете ключа за батерията.
	Тревната площ е грапава или неравна или височината на рязане не е зададена правилно.	Преместете колелата на по-висока позиция. Всички колела трябва да са разположени на една и съща височина на рязане, за да може косачката да подрязва равномерно.
Косачката не мулчира правилно.	Мокри късове трева са залепнали за долната част на платформата.	Изчакайте, докато тревата изсъхне, преди да продължите с косенето.
Косачката се бута трудно.	Тревата е висока, задната част на косачката и острието закачат гъста трева или острието е прекалено ниско.	Увеличете височината на рязане.
Косачката не събира правилно трева.	Височината за рязане е настроена прекалено ниско.	Увеличете височината на рязане.
Косачката вибрира при по-висока скорост.	Острието е небалансирано, прекомерно или неравномерно износено.	Сменете острието.
	Валът на двигателя е извит.	Спрете двигателя, извадете ключа на изолатора и батерията, изключете източника на захранване и проверете за повреда. Занесете инструмента за поправка в упълномощен сервизен център.
Двигателят спира по време на рязане.	Височината за рязане е настроена прекалено ниско.	Увеличете височината на рязане.
	Батерията е изтощена.	Заредете батерията.

Ако следните решения не отстраняват проблема, обърнете се към своя упълномощен сервизен представител.

Ελληνικά (Πρωτότυπες οδηγίες)

ΠΡΟΔΙΑΓΡΑΦΕΣ

Μηχανή κουρέματος γρασιδιού	2502907
Πλάτος κοπής	46 cm
Ύψος κοπής	25 mm - 80 mm
Ταχύτητα χωρίς φορτίο	2800 rpm
Ταχύτητα αυτο-ώθησης	0.5-1.5 m/s
Επίπεδο πίεσης ήχου	LpA :73 dB(A), K:3.0
Μετρούμενη στάθμη ακουστικής ισχύος	LwA :85.5 dB(A)
Μέγιστος κραδασμός	<2.5 m/s ² , K=1.5
Χωρητικότητα πλαισίου γρασιδιού	52 L
Καθαρό βάρος	28 κιλά
Εφεδρική λεπίδα	2920407
Μπαταρία	Ιόντων λιθίου
Αριθμός μοντέλου	2918307 / 2918407
Φορτιστής μπαταρίας	
Αριθμός μοντέλου	2918507
Κατασκευή διπλής μόνωσης.	

ΠΕΡΙΓΡΑΦΗ

- Μοχλός ισχύος
- Καλώδιο ελέγχου κινητήρα
- Κουμπί έναρξης
- Άνω λαβή
- Κάτω λαβή
- Μοχλός προσαρμογής ύψους
- Θύρα μπαταρίας
- Μπροστινός τροχός
- Πίσω τροχός
- Πλαίσιο γρασιδιού
- Μπαταρία (δεν περιλαμβάνεται)
- Κουμπί λαβής
- Κουμπί
- Μπουλόνι
- Λαβή πλαισίου γρασιδιού
- Πίσω θύρα
- Άνοιγμα πίσω εξόδου

- Ράβδος θύρας
- Αγκιστρα
- Λεπίδα
- Αξονας κινητήρα
- Πτερωτή
- Μπουλόνι λεπίδας
- Στύλοι λεπίδας
- Κουμπί αφαίρεσης μπαταρίας
- Βύσμα κάλυψης
- Εκτροπέας πλευρικής εξόδου
- Θύρα πλευρικής εξόδου
- Κομμάτι ξύλου (δεν περιλαμβάνεται)
- Κλειδί (δεν περιλαμβάνεται)
- Κλειδί μπαταρίας
- Μοχλός αυτόματης ώθησης
- Έλεγχος ταχύτητας αυτόματης ώθησης

⚠ ΠΡΟΕΙΔΟΠΟΙΗΣΗ

Η χρήση άλλων μπαταριών μπορεί να προκαλέσει κίνδυνο φωτιάς, ηλεκτροπληξίας ή τραυματισμών.

ΕΞΟΙΚΕΙΩΘΕΙΤΕ ΜΕ ΤΗ ΜΗΧΑΝΗ ΚΟΥΡΕΜΑΤΟΣ ΓΡΑΣΙΔΙΟΥ

Βλ. σχήμα 1.

Η ασφαλής χρήση του προϊόντος, προϋποθέτει κατανόηση των πληροφοριών που παρέχονται στο ίδιο το εργαλείο και στο παρόν εγχειρίδιο χρήσης, καθώς και γνώση της εργασίας που προσπαθείτε να ολοκληρώσετε. Πριν τη χρήση του προϊόντος, εξοικειωθείτε με όλες τις λειτουργίες και τους κανόνες ασφαλείας.

ΜΕΤΡΗΤΗΣ ΜΠΑΤΑΡΙΑΣ

Ο μετρητής μπαταρίας υπολογίζει την ποσότητα φόρτισης που απομένει στην μπαταρία.

ΠΛΑΙΣΙΟ ΓΡΑΣΙΔΙΟΥ

Το πλαίσιο γρασιδιού συλλέγει το κομμένο γρασίδι και εμποδίζει την έξοδό του στο γκαζόν σας ενώ το κουρεύετε.

ΜΟΧΛΟΣ ΠΡΟΣΑΡΜΟΓΗΣ ΎΨΟΥΣ

Ο μοχλός προσαρμογής ύψους επιτρέπει την πραγματοποίηση προσαρμογών στο ύψος κοπής.

ΚΑΛΩΔΙΟ ΕΛΕΓΧΟΥ ΚΙΝΗΤΗΡΑ

Το καλώδιο ελέγχου κινητήρα, στην άνω λαβή της μηχανής κουρέματος, ενεργοποιεί και απενεργοποιεί κινητήρα και λεπίδα.

ΒΥΣΜΑ ΚΑΛΥΨΗΣ

Η μηχανή κουρέματος διαθέτει ένα βύσμα κάλυψης που

Ελληνικά (Πρωτότυπες οδηγίες)

καλύπτει το πίσω άνοιγμα εξόδου, επιτρέποντας στη λεπίδα της μηχανής να εκτελεί επανειλημμένες κοπές για μικρότερα υπολείμματα.

ΕΚΤΡΟΠΕΑΣ ΠΛΕΥΡΙΚΗΣ ΕΞΟΔΟΥ

Χρησιμοποιήστε τον εκτροπέα πλευρικής εξόδου στη μηχανή κουρέματος, όταν το γρασίδι είναι πολύ ψηλό για να κοπεί ή όταν προτιμάτε πλευρική έξοδο. Τα κομμάτια του γρασιδιού που παράγονται με τη χρήση του εκτροπέα πλευρικής εξόδου είναι ορατά μεγαλύτερα από αυτά που παράγονται όταν χρησιμοποιείται το βύσμα κάλυψης και η πλακέτα πλευρικής κάλυψης.

ΘΥΡΑ ΠΛΕΥΡΙΚΗΣ ΕΞΟΔΟΥ

Η μηχανή κουρέματος διαθέτει μια θύρα που καλύπτει το άνοιγμα πλευρικής εξόδου, επιτρέποντας στη λεπίδα της μηχανής να κόβει και να ξανακόβει το γρασίδι για πιο λεπτά υπολείμματα αν χρησιμοποιείται το βύσμα κάλυψης ή μεταφορά των υπολειμμάτων γρασιδιού στη σακούλα συλλογής.

- Κλειδί μπαταρίας
- Πλαίσιο γρασιδιού
- Βύσμα κάλυψης
- Εκτροπέας πλευρικής εξόδου
- Εγχειρίδιο χειριστή
- Κουμπία
- Μπουλόνια

⚠ ΠΡΟΕΙΔΟΠΟΙΗΣΗ

Αν οποιοδήποτε εξάρτημα έχει υποστεί φθορά ή λείπει, μην χρησιμοποιείτε το προϊόν μέχρι την αντικατάστασή του. Η χρήση προϊόντος με φθαρμένα ή απόντα εξαρτήματα, μπορεί να προκαλέσει σοβαρό τραυματισμό.

⚠ ΠΡΟΕΙΔΟΠΟΙΗΣΗ

Μην προσπαθείτε να τροποποιήσετε το προϊόν ή να δημιουργήσετε εξαρτήματα που δεν προτείνονται για χρήση με αυτό. Κάθε τέτοια αλλαγή ή τροποποίηση αποτελεί εσφαλμένη χρήση και μπορεί να προκαλέσει επικίνδυνες καταστάσεις και πιθανό σοβαρό τραυματισμό.

ΣΥΝΑΡΜΟΛΟΓΗΣΗ

ΑΝΟΙΓΜΑ ΣΥΣΚΕΥΑΣΙΑΣ

Το προϊόν απαιτεί συναρμολόγηση.

- Αφαιρέστε με προσοχή το προϊόν και τυχόν εξαρτήματα από τη συσκευασία. Βεβαιωθείτε ότι περιλαμβάνονται όλα τα στοιχεία που αναγράφονται στη λίστα συσκευασίας.

⚠ ΠΡΟΕΙΔΟΠΟΙΗΣΗ

Μην χρησιμοποιείτε το προϊόν αν οποιοδήποτε εξάρτημα από τη λίστα συσκευασίας έχει ήδη συναρμολογηθεί στο προϊόν σας όταν το αφαιρείτε από τη συσκευασία. Τα εξαρτήματα στη λίστα δεν έχουν συναρμολογηθεί στο προϊόν από τον κατασκευαστή και απαιτούν εγκατάσταση από τον πελάτη. Η χρήση προϊόντος που έχει συναρμολογηθεί εσφαλμένα, μπορεί να προκαλέσει σοβαρό τραυματισμό.

- Ελέγξτε προσεκτικά το προϊόν για να βεβαιωθείτε ότι δεν προκλήθηκαν θραύσεις ή ζημιές κατά τη μεταφορά του.
- Μην απορρίπτετε το υλικό συσκευασίας μέχρι να έχετε ελέγξει προσεκτικά και χρησιμοποιήσει ικανοποιητικά το προϊόν.
- Αν οποιοδήποτε εξάρτημα έχει υποστεί φθορά ή λείπει, καλέστε το κέντρο εξυπηρέτησης της Greenworks Tools για βοήθεια.

ΛΙΣΤΑ ΣΥΣΚΕΥΑΣΙΑΣ

- Μηχανή κουρέματος γρασιδιού

⚠ ΠΡΟΕΙΔΟΠΟΙΗΣΗ

Μην εισάγετε το κλειδί μπαταρίας μέχρι να ολοκληρωθεί η συναρμολόγηση και να είστε έτοιμοι να χρησιμοποιήσετε τη μηχανή. Διαφορετικά μπορεί να προκύψει τυχαία έναρξη του μηχανήματος και πιθανός σοβαρός τραυματισμός.

⚠ ΠΡΟΕΙΔΟΠΟΙΗΣΗ

Για την αποφυγή τυχαίας έναρξης που μπορεί να προκαλέσει σοβαρό τραυματισμό, αφαιρέστε πάντα την μπαταρία από το προϊόν πριν τις εργασίες συναρμολόγησης.

⚠ ΠΡΟΕΙΔΟΠΟΙΗΣΗ

Μην χρησιμοποιείτε ποτέ τη μηχανή κουρέματος χωρίς να έχετε τοποθετήσει και να λειτουργούν οι κατάλληλες συσκευές ασφάλειας. Μην χρησιμοποιείτε ποτέ τη μηχανή κουρέματος με φθαρμένες συσκευές ασφάλειας. Ο χειρισμός του προϊόντος με φθαρμένα ή απόντα εξαρτήματα, μπορεί να προκαλέσει σοβαρό τραυματισμό.

ΑΝΟΙΓΜΑ ΚΑΙ ΠΡΟΣΑΡΜΟΓΗ ΚΑΤΩ ΛΑΒΗΣ

Ελληνικά (Πρωτότυπες οδηγίες)

Βλ. σχήμα 2.

- Τραβήξτε και περιστρέψτε τα κουμπιά λαβής κατά 90° και στις δύο πλευρές, για να ξεσφίξετε τις κάτω λαβές και στις δύο πλευρές.
- Μετακινήστε τις χαμηλότερες λαβές σε θέση λειτουργίας. Μπορείτε να ανασηκώσετε ή να χαμηλώσετε τη λαβή σε μια θέση που είναι άνετη για εσάς. Υπάρχουν 3 θέσεις για να επιλέξετε. Αφήστε τα κουμπιά λαβής για να κλειδώσετε την κάτω λαβή στη θέση της.

ΣΗΜΕΙΩΣΗ: Βεβαιωθείτε ότι και οι δύο πλευρές βρίσκονται στην ίδια θέση για σωστή συναρμολόγηση.

ΤΟΠΟΘΕΤΗΣΗ ΑΝΩ ΛΑΒΗΣ

Βλ. σχήμα 3.

- Ευθυγραμμίστε τις οπές σύνδεσης στην άνω και στην κάτω λαβή. Εισάγετε τα μπουλόνια με στρογγυλό κεφάλι και χρησιμοποιήστε τα κουμπιά για να τα σφίξετε. Επαναλάβετε τη διαδικασία και στην άλλη πλευρά.

ΤΟΠΟΘΕΤΗΣΗ ΠΛΑΙΣΙΟΥ ΓΡΑΣΙΔΙΟΥ

Βλ. σχήμα 4.

- Ανασηκώστε την πίσω θύρα εξόδου.
- Ανασηκώστε την παγίδα γρασιδιού από τη λαβή της και τοποθετήστε την κάτω από την πίσω θύρα εξόδου ώστε τα άγκιστρα στην παγίδα να εδρεύουν στη ράβδο θύρας.
- Αφήστε την πίσω θύρα εξόδου. Αν τοποθετηθούν σωστά, τα άγκιστρα της παγίδας επεκτείνονται μέσω των ανοιγμάτων στην πίσω θύρα εξόδου.

ΤΟΠΟΘΕΤΗΣΗ ΒΥΣΜΑΤΟΣ ΚΑΛΥΨΗΣ

Βλ. σχήμα 5.

- Ανασηκώστε και κρατήστε πάνω την πίσω θύρα εξόδου.
- Πιάστε το βύσμα κάλυψης από τη λαβή του και τοποθετήστε το με ελαφριά κλίση, όπως φαίνεται.
- Σπρώξτε το βύσμα κάλυψης για να κλειδώσει.
- Χαμηλώστε την πίσω θύρα εξόδου.

ΤΟΠΟΘΕΤΗΣΗ ΕΚΤΡΟΠΕΑ ΠΛΕΥΡΙΚΗΣ ΕΞΟΔΟΥ

Βλ. σχήμα 6.

ΣΗΜΕΙΩΣΗ: Όταν χρησιμοποιείτε τον εκτροπέα πλευρικής εξόδου, μην τοποθετείτε το πλαίσιο γρασιδιού. Το βύσμα κάλυψης πρέπει να παραμένει τοποθετημένο.

- Ανασηκώστε την θύρα πλευρικής εξόδου.
- Ευθυγραμμίστε τα άγκιστρα στον εκτροπέα με τη ράβδο μεντεσέ στην κάτω πλευρά της θύρας.
- Χαμηλώστε τον εκτροπέα μέχρι τα άγκιστρα να ασφαλιστούν στη ράβδο μεντεσέ θύρας κάλυψης.

- Αφήστε τον εκτροπέα και την θύρα πλευρικής εξόδου.

ΡΥΘΜΙΣΗ ΥΨΟΥΣ ΛΕΠΙΔΑΣ

Βλ. σχήμα 7.

Κατά την αποστολή της συσκευής, οι τροχοί στη μηχανή κουρέματος είναι ρυθμισμένοι σε θέση χαμηλής κοπής. Πριν χρησιμοποιήσετε τη μηχανή κουρέματος για πρώτη φορά, ρυθμίστε τη θέση κοπής στο κατάλληλο ύψος για το γρασίδι σας. Το μέσο γρασίδι έχει ύψος μεταξύ 38 mm και 51 mm τους χειμερινούς μήνες και μεταξύ 51 mm και 70 mm τους καλοκαιρινούς.

Για να ρυθμίσετε το ύψος της λεπίδας

- Για να ανασηκώσετε το ύψος της λεπίδας, πιάστε τον μοχλό προσαρμογής ύψους και μετακινήστε τον προς το πίσω μέρος της μηχανής κουρέματος.
- Για να χαμηλώσετε το ύψος της λεπίδας, πιάστε τον μοχλό προσαρμογής ύψους και μετακινήστε τον προς το μπροστινό μέρος της μηχανής κουρέματος.

ΛΕΙΤΟΥΡΓΙΑ

ΠΡΟΕΙΔΟΠΟΙΗΣΗ

Καθώς θα εξοικειώνεστε με τη χρήση του προϊόντος, διατηρήστε την προσοχή σας. Να θυμάστε ότι αρκεί μια στιγμή απροσεξίας για να προκληθεί σοβαρός τραυματισμός.

ΠΡΟΕΙΔΟΠΟΙΗΣΗ

Φοράτε πάντα προστατευτικά ματιών. Διαφορετικά υπάρχει κίνδυνος εκτίναξης αντικειμένων στα μάτια σας και πρόκλησης σοβαρού τραυματισμού.

ΠΡΟΕΙΔΟΠΟΙΗΣΗ

Μην χρησιμοποιείτε εξαρτήματα τα οποία δεν προτείνονται από τον κατασκευαστή του προϊόντος. Η χρήση εξαρτημάτων που δεν προτείνονται, μπορεί να προκαλέσει σοβαρό τραυματισμό.

ΠΡΟΕΙΔΟΠΟΙΗΣΗ

Ελέγχετε πάντα τη μηχανή κουρέματος για απόντα ή φθαρμένα εξαρτήματα και ελέγχετε τη λεπίδα για φθορές, ανομοιομορφα σημεία ή υπερβολική φθορά, πριν τη χρήση. Η χρήση προϊόντος με φθαρμένα ή απόντα εξαρτήματα, μπορεί να προκαλέσει σοβαρό τραυματισμό.

- Μην λυγίζετε τη μηχανή κουρέματος γρασιδιού

Ελληνικά (Πρωτότυπες οδηγίες)

όταν ξεκινάτε τη μηχανή ή τον κινητήρα, εκτός αν χρειάζεται να έχει κλίση κατά την έναρξη. Σε αυτήν την περίπτωση, μη λυγίζετε τη μηχανή κουρέματος περισσότερο απ' ό,τι χρειάζεται και αναστηκώστε μόνο το μέρος που είναι σε απόσταση από τον χειριστή.

- Μην ξεκινάτε τη μηχανή όταν στέκεστε μπροστά από τον αγωγό εξόδου.
- Μην τοποθετείτε χέρια ή πόδια κοντά ή κάτω από περιστρεφόμενα εξαρτήματα. Διατηρείτε πάντα απόσταση από το άνοιγμα εξόδου.

Για πλήρεις οδηγίες φόρτισης, συμβουλευτείτε το εγχειρίδιο χειριστή για τις μπαταρίες και τους φορτιστές που αναγράφονται στο τμήμα των προδιαγραφών.

ΤΟΠΟΘΕΤΗΣΗ ΜΠΑΤΑΡΙΑΣ

Βλ. *σχήμα 8*.

- Ανασηκώστε και κρατήστε πάνω τη θύρα μπαταρίας.
- Ευθυγραμμίστε την μπαταρία με τη θύρα μπαταρίας της μηχανής κουρέματος.
- Βεβαιωθείτε ότι το κουμπί αποδέσμευσης μπαταρίας κλειδώνει στη θέση του και ότι η μπαταρία έχει τοποθετηθεί καλά και με ασφάλεια στη μηχανή κουρέματος, πριν ξεκινήσετε τη χρήση της.
- Εισάγετε το κλειδί μπαταρίας.
- Αν η μηχανή δεν θα χρησιμοποιηθεί άμεσα, μην εισάγετε το κλειδί μπαταρίας
- Κλείστε τη θύρα.

ΑΦΑΙΡΕΣΗ ΜΠΑΤΑΡΙΑΣ

Βλ. *σχήμα 8*.

- Αφήστε τη λαβή κουτιού διακοπών για να σταματήσετε το προϊόν.
- Ανοίξτε τη θύρα μπαταρίας για να έχετε πρόσβαση στη θέση μπαταρίας.
- Αφαιρέστε το κλειδί μπαταρίας.
- Πατήστε το κουμπί αποδέσμευσης μπαταρίας στη μηχανή κουρέματος. Με αυτόν τον τρόπο η μπαταρία θα αναστηκωθεί ελαφρά από το εργαλείο.
- Αφαιρέστε την μπαταρία από το προϊόν.

ΕΚΚΙΝΗΣΗ/ΔΙΑΚΟΠΗ ΜΗΧΑΝΗΣ ΚΟΥΡΕΜΑΤΟΣ

Βλ. *σχήμα 9*.

- Κρατήστε πατημένο το κουμπί κλειδώματος ασφαλείας.
- Τραβήξτε τον μοχλό ενεργοποίησης προς τα πάνω προς τη λαβή για να ξεκινήσετε τη μηχανή κουρέματος και αφήστε το κουμπί κλειδώματος ασφαλείας.
- Για να σταματήσετε τη μηχανή κουρέματος, αφήστε τον μοχλό ισχύος.

ΣΗΜΕΙΩΣΗ: Καθώς ο ηλεκτρικός κινητήρας μειώνει ταχύτητα, μπορεί να ακουστεί ένας θόρυβος υψηλού τόνου και να εμφανιστούν σπινθήρες. Αυτό είναι φυσιολογικό.

ΚΟΥΡΕΜΑ ΓΡΑΣΙΔΙΟΥ ΜΕ ΑΥΤΟΜΑΤΗ ΩΘΗΣΗ

Βλ. *Σχήμα 9*

Για να ενεργοποιήσετε τη λειτουργία αυτόματης ώθησης:

- Ανοίξτε τη θύρα μπαταρίας.
- Εισάγετε την μπαταρία.
- Εισάγετε το κλειδί μπαταρίας.
- Τραβήξτε τον μοχλό αυτόματης ώθησης προς τα πάνω για να φτάσει στη λαβή.

Για να απενεργοποιήσετε τη λειτουργία αυτόματης ώθησης:

- Αφήστε τον μοχλό αυτόματης ώθησης.

Για να ρυθμίσετε την ταχύτητα της λειτουργίας αυτόματης ώθησης:

- Τραβήξτε τον μοχλό ελέγχου μεταβλητής ταχύτητας προς το Σύμβολο Λαγού για να αυξήσετε ταχύτητα.
- Σπρώξτε τον μοχλό ελέγχου μεταβλητής ταχύτητας προς το Σύμβολο Χελώνας για να μειώσετε ταχύτητα.

ΣΥΜΒΟΥΛΕΣ ΓΙΑ ΤΟ ΚΟΥΡΕΜΑ ΓΡΑΣΙΔΙΟΥ

- Βεβαιωθείτε ότι το γρασίδι δεν έχει πέτρες, κλαδιά, σύρματα και άλλα αντικείμενα που μπορεί να φθείρουν τις λεπίδες ή τον κινητήρα της μηχανής κουρέματος γρασιδιού. Μην κουρεύετε το γρασίδι πάνω σε κοντάρια ή άλλα μεταλλικά αντικείμενα. Αυτά τα αντικείμενα μπορούν να εκπιναχθούν κατά λάθος από τη μηχανή κουρέματος προς οποιαδήποτε κατεύθυνση, προκαλώντας σοβαρό τραυματισμό στον χειριστή και σε άλλους.
- Για να διατηρήσετε την υγεία του γρασιδιού σας, κόβετε πάντα το ένα τρίτο ή λιγότερο από το συνολικό μήκος του.
- Μην κουρεύετε υγρό γρασίδι, καθώς θα κολλήσει στην κάτω πλευρά της μηχανής και δεν θα είναι δυνατή η σωστή συγκέντρωση ή κάλυψη των υπολειμμάτων του.
- Το νέο ή πυκνό γρασίδι μπορεί να απαιτεί στενότερη κοπή ή μεγαλύτερο ύψος κοπής.
- Καθαρίστε το κάτω μέρος της μηχανής κουρέματος μετά από κάθε χρήση για να αφαιρέσετε κομμάτια γρασιδιού, φύλλα, σκόνη και άλλα συσσωρευμένα υπολείμματα.
- Όταν κουρεύετε ψηλό γρασίδι, μειώστε την ταχύτητα βαδίσματος ώστε να εξασφαλίσετε αποτελεσματικότερη κοπή και σωστή απομάκρυνση των υπολειμμάτων.

ΣΗΜΕΙΩΣΗ: Σταματάτε τη μηχανή κουρέματος, αφήνετε

Ελληνικά (Πρωτότυπες οδηγίες)

τις λεπίδες να σταματήσουν να κινούνται τελείως και αφαιρείτε πάντα το κλειδί μπαταρίας πριν κάνετε εργασίες καθαρισμού κάτω από τη μηχανή.

ΛΕΙΤΟΥΡΓΙΑ ΣΕ ΚΕΚΛΙΜΕΝΕΣ ΕΠΙΦΑΝΕΙΣ

⚠ ΠΡΟΕΙΔΟΠΟΙΗΣΗ

Οι κεκλιμένες επιφάνειες αποτελούν μεγάλο παράγοντα πρόκλησης ατυχημάτων ολίσθησης και πτώσης και μπορεί να προκαλέσουν σοβαρούς τραυματισμούς. Η εργασία σε κεκλιμένες επιφάνειες απαιτεί ιδιαίτερη προσοχή. Αν δεν αισθάνεστε άνετα στην κεκλιμένη επιφάνεια, μην κουρεύετε το γρασίδι σε αυτήν. Για τη δική σας ασφάλεια, μην κουρεύετε το γρασίδι σε κεκλιμένες επιφάνειες με κλίση μεγαλύτερη των 15 μοιρών.

⚠ ΠΡΟΕΙΔΟΠΟΙΗΣΗ

Διατηρείτε χαμηλή ταχύτητα όταν χρησιμοποιείτε τη συσκευή σε ανηφόρα.

- Κουρεύετε το γρασίδι κατά μήκος επιφανειών με κλίση και ποτέ προς τα πάνω και προς τα κάτω. Προσέχετε πάρα πολύ όταν αλλάζετε κατεύθυνση σε κεκλιμένες επιφάνειες.
- Προσέχετε τις τρύπες, αυλάκια, κρυφά αντικείμενα ή εμπόδια που μπορεί να προκαλέσουν ολίσθηση ή πτώση. Το ψηλό γρασίδι μπορεί να έχει κρυμμένα εμπόδια. Αφαιρείτε κάθε αντικείμενο όπως πέτρες, κλαδιά κ.λπ. στο οποίο μπορεί να σκοντάψετε ή να το εκτινάξει η λεπίδα.
- Προσέχετε πάντα το βήμα σας. Τα ατυχήματα ολίσθησης και πτώσης μπορούν να προκαλέσουν σοβαρούς τραυματισμούς. Αν νιώθετε ότι χάνετε την ισορροπία σας, αφήστε αμέσως τον μοχλό ενεργοποίησης.
- Μην κουρεύετε το γρασίδι κοντά σε απότομες επιφάνειες, χαντάκια ή αναχώματα - υπάρχει κίνδυνος απώλειας ευστάθειας ή ισορροπίας.

ΕΚΚΕΝΩΣΗ ΠΛΑΙΣΙΟΥ ΓΡΑΣΙΔΙΟΥ

Βλ. σχήμα 10.

- Σταματήστε τη μηχανή κουρέματος, περιμένετε να σταματήσει να κινείται η λεπίδα τελείως και αφαιρέστε το κλειδί μπαταρίας.
- Ανασηκώστε την πίσω θύρα.
- Ανασηκώστε το πλαίσιο γρασιδιού από τη λαβή του για να το αφαιρέσετε από τη μηχανή κουρέματος.
- Αδειάστε τα υπολείμματα γρασιδιού.
- Ανασηκώστε την πίσω θύρα και τοποθετήστε ξανά το πλαίσιο γρασιδιού, όπως περιγράφεται παραπάνω στο εγχειρίδιο.

ΣΥΝΤΗΡΗΣΗ

⚠ ΠΡΟΕΙΔΟΠΟΙΗΣΗ

Πριν εκτελέσετε οποιαδήποτε εργασία συντήρησης, βεβαιωθείτε ότι η μπαταρία και το κλειδί μπαταρίας της μηχανής κουρέματος έχουν αφαιρεθεί, για να αποφευχθεί η τυχαία εκκίνηση και πιθανοί σοβαροί τραυματισμοί.

⚠ ΠΡΟΕΙΔΟΠΟΙΗΣΗ

Για την αποφυγή τυχαίας εκκίνησης ή μη εξουσιοδοτημένης χρήσης, η ασύρματη μηχανή κουρέματος γκαζόν διαθέτει αποσπώσιμο κλειδί ασφαλείας. Για να αποτρέψετε πλήρως τη χρήση της μηχανής κουρέματος, το κλειδί ασφαλείας πρέπει να αφαιρείται και να διατηρείται σε χώρο μακριά από τη μηχανή κουρέματος, μη προσβάσιμο σε παιδιά.

⚠ ΠΡΟΕΙΔΟΠΟΙΗΣΗ

Κατά τις εργασίες σέρβις, χρησιμοποιείτε μόνο εξουσιοδοτημένα ανταλλακτικά. Η χρήση άλλων ανταλλακτικών μπορεί να προκαλέσει κίνδυνο ή να αποτελέσει αιτία πρόκλησης βλάβης στο προϊόν.

⚠ ΠΡΟΕΙΔΟΠΟΙΗΣΗ

Διατηρείτε τον κινητήρα και τα τμήματα μπαταρίας απαλλαγμένα από γρασίδι, φύλλα ή υπερβολικό γράσο. Με αυτόν τον τρόπο μειώνετε τον κίνδυνο φωτιάς.

ΓΕΝΙΚΗ ΣΥΝΤΗΡΗΣΗ

Πριν από κάθε χρήση, ελέγχετε όλο το προϊόν για φθαρμένα, απόντα ή χαλαρά εξαρτήματα, όπως βίδες, παξιμαδία, μπουλόνια, πώματα κ.λπ.

Σφίξτε καλά όλες τις ροδέλες και τα πώματα και μην χρησιμοποιείτε το προϊόν μέχρι να αντικατασταθούν όλα τα εξαρτήματα που λείπουν ή έχουν υποστεί φθορές. Καλέστε το τμήμα εξυπηρέτησης πελατών της Greenworks Tools για βοήθεια. Αποφύγετε τη χρήση διαλυτών στον καθαρισμό των πλαστικών εξαρτημάτων. Τα περισσότερα πλαστικά είναι ευάλωτα στην πρόκληση ζημιών από τους διάφορους τύπους διαλυτών που είναι διαθέσιμοι στο εμπόριο και μπορούν να υποστούν ζημιές από τη χρήση τους. Χρησιμοποιείτε καθαρά πανιά για την αφαίρεση βρωμιάς, σκόνης, λαδιού, γράσου κ.λπ.

Ελληνικά (Πρωτότυπες οδηγίες)

⚠ ΠΡΟΕΙΔΟΠΟΙΗΣΗ

Προκειμένου να ελαχιστοποιηθεί ο κίνδυνος υλικών ζημιών και επικινδυνότητας, μην καθαρίζετε ποτέ το εργαλείο με ατμοκαθαριστή ή τρεχούμενο νερό.

⚠ ΠΡΟΕΙΔΟΠΟΙΗΣΗ

Να αποθηκεύεται μόνο σε εσωτερικούς χώρους. Αφαιρέστε πάντοτε την μπαταρία από την χλοοκοπτική μηχανή και το φορτιστή, πριν από τον καθαρισμό ή την αποθήκευση του εργαλείου.

⚠ ΠΡΟΕΙΔΟΠΟΙΗΣΗ

Μην αφήνετε ποτέ υγρά φρένων, βενζίνη, προϊόντα με βάση το πετρέλαιο, διεισδυτικά λάδια κ.λπ. να έρχονται σε επαφή με τα πλαστικά εξαρτήματα. Τα χημικά μπορούν να φθείρουν, να εξασθενήσουν ή να καταστρέψουν το πλαστικό, προκαλώντας σοβαρό τραυματισμό.

Ελέγχετε τακτικά αν τα παξιμάδια και τα μπουλόνια είναι καλά σφιγμένα, για να εξασφαλίσετε την ασφαλή λειτουργία της μηχανής κουρέματος.

Καθαρίζετε περιστασιακά τη μηχανή κουρέματος με ένα στεγνό πανί. Μην χρησιμοποιείτε νερό.

ΛΙΠΑΝΣΗ

Όλα τα έδρανα του προϊόντος έχουν λιπανθεί με επαρκή ποσότητα υψηλής ποιότητας λιπαντικού για τη διάρκεια ζωής της μονάδας, σε κανονικές συνθήκες λειτουργίας. Επομένως, δεν απαιτείται περαιτέρω λίπανση των εδράνων.

⚠ ΠΡΟΕΙΔΟΠΟΙΗΣΗ

Προστατεύετε πάντα τα χέρια σας φορώντας χοντρά γάντια ή/και τυλιγόντας τα άκρα κοπής της λεπίδας με πανιά και άλλα υλικά όταν εκτελείτε εργασίες συντήρησης στη λεπίδα. Η επαφή με τη λεπίδα μπορεί να προκαλέσει σοβαρό τραυματισμό.

⚠ ΠΡΟΕΙΔΟΠΟΙΗΣΗ

Μην λιπαίνετε τα εξαρτήματα των τροχών. Η λίπανση μπορεί να προκαλέσει βλάβη των τροχών κατά τη χρήση και σοβαρό τραυματισμό στον χειριστή ή/και βλάβη στη μηχανή κουρέματος ή άλλη υλική βλάβη.

ΑΝΤΙΚΑΤΑΣΤΑΣΗ ΛΕΠΙΔΑΣ ΚΟΠΗΣ

Βλ. σχήμα 11-12.

ΣΗΜΕΙΩΣΗ: Χρησιμοποιείτε μόνο εξουσιοδοτημένες λεπίδες αντικατάστασης. Αντικαταστήστε φθαρμένες

ή χαλασμένες λεπίδες και μπουλόνια σε σετ, για τη διατήρηση της ισορροπίας

- Σταματήστε τον κινητήρα και αφήστε το κλειδί μπαταρίας. Περιμένετε να σταματήσει τελείως να κινείται η λεπίδα.

- Αφαιρέστε την μπαταρία.

- Γυρίστε τη μηχανή κουρέματος στο πλάι.

- Σφηνώστε ένα κομμάτι ξύλο ανάμεσα στη λεπίδα και τη μηχανή κουρέματος για να μην γυρίσει η λεπίδα.

- Χαλαρώστε το μπουλόνι της λεπίδας γυρίζοντάς το αριστερόστροφα (κοιτάζοντας από τη βάση της μηχανής κουρέματος) με ένα κλειδί 27 mm (δεν παρέχεται).

- Αφαιρέστε το μπουλόνι της λεπίδας και τη λεπίδα.

- Τοποθετήστε τη νέα λεπίδα στον άξονα. Βεβαιωθείτε ότι η λεπίδα έχει τοποθετηθεί σωστά, με τον άξονα να περνάει από την κεντρική οπή της λεπίδας και τα δύο άκρα της λεπίδας στην περρωτή τοποθετημένα στις αντίστοιχες οπές στη λεπίδα. Βεβαιωθείτε ότι έχει τοποθετηθεί με τα κυρτά άκρα να κοιτάζουν προς τα πάνω, προς τη μηχανή κουρέματος και όχι προς τα κάτω, προς το έδαφος. Όταν έχει τοποθετηθεί σωστά, η λεπίδα πρέπει να είναι επίπεδη πάνω στην περρωτή.

- Περάστε το μπουλόνι της λεπίδας στον άξονα και σφίξτε με το χέρι.

- Γυρίστε το μπουλόνι της λεπίδας προς τα κάτω δεξιόστροφα, με ένα κλειδί στρεπτικής ροπής (δεν παρέχεται) για να βεβαιωθείτε ότι το μπουλόνι έχει σφίχτεί καλά. Η προτεινόμενη στρεπτική ροπή για το μπουλόνι της λεπίδας είναι 62,5~71,5 kgfcm (350-400 in.-lb.).

ΠΕΡΙΒΑΛΛΟΝΤΙΚΗ ΠΡΟΣΤΑΣΙΑ

- Η προστασία του περιβάλλοντος θα πρέπει να αποτελεί προτεραιότητα με μεγάλη σημασία κατά τη χρήση του μηχανήματος, προς όφελος της συνύπαρξης με τους άλλους και του περιβάλλοντος στο οποίο ζούμε. Προσταθείτε να μην προκαλείτε ενόχληση στη γειτονική περιοχή.

- Τηρείτε αυστηρά τους τοπικούς κανονισμούς για την απόρριψη υλικών συσκευασίας, φθαρμένων εξαρτημάτων ή άλλων στοιχείων με σοβαρή περιβαλλοντική επίπτωση. Τα απόβλητα αυτά δεν πρέπει να απορρίπτονται μαζί με τα κανονικά απόβλητα, αλλά να διαχωρίζονται και να μεταφέρονται σε ειδικά κέντρα απόρριψης, όπου τα υλικά υποβάλλονται σε ανακύκλωση.

- Τηρείτε αυστηρά τους τοπικούς κανονισμούς για την απόρριψη αποβλήτων μετά τις εργασίες κουρέματος.

- Κατά την απόσυρση του προϊόντος, μην μολύνετε το περιβάλλον με το μηχανήμα, αλλά παραδώστε το σε ένα κέντρο απόρριψης, σύμφωνα με την τοπική ισχύουσα νομοθεσία.

Ελληνικά (Πρωτότυπες οδηγίες)

ΑΝΤΙΜΕΤΩΠΙΣΗ ΠΡΟΒΛΗΜΑΤΩΝ

Πρόβλημα	Πιθανή αιτία	Λύση
Η λαβή δεν είναι στη θέση της.	Τα μπουλόνια με στρογγυλό κεφάλι δεν έχουν τοποθετηθεί σωστά.	Προσαρμόστε το ύψος της λαβής και βεβαιωθείτε ότι τα μπουλόνια με στρογγυλό κεφάλι έχουν τοποθετηθεί σωστά.
Η μηχανή κουρέματος δεν ξεκινάει.	Η μπαταρία έχει ξεφορτίσει.	Φορτίστε την μπαταρία.
	Η μπαταρία δεν λειτουργεί ή δεν φορτίζει. Το κλειδί μπαταρίας δεν έχει τοποθετηθεί.	Αντικαταστήστε την μπαταρία. Εισάγετε το κλειδί μπαταρίας.
Η μηχανή κουρέματος κόβει ανομοιόμορφα το γρασίδι.	Το γκαζόν είναι τραχύ ή ανομοιόμορφο ή το ύψος κοπής δεν έχει ρυθμιστεί σωστά.	Μετακινήστε τους τροχούς σε υψηλότερη θέση. Όλοι οι τροχοί πρέπει να τοποθετηθούν στο ίδιο ύψος κοπής για να παρέχει ομοιόμορφες κοπές η μηχανή κουρέματος.
Η μηχανή κουρέματος δεν καλύπτει καλά το υλικό.	Υγρά υπολείμματα γρασιδιού κολλάνε στο κάτω μέρος της μηχανής.	Περιμένετε να στεγνώσει το γρασίδι πριν το κουρέψετε.
Η μηχανή κουρέματος σπρώχνεται δύσκολα.	Ψηλό γρασίδι, το πίσω μέρος του περιβλήματος της μηχανής κουρέματος και η λεπίδα σέρνονται σε πυκνό γρασίδι ή το ύψος κοπής είναι πολύ χαμηλό.	Μεγαλώστε το ύψος κοπής.
Η μηχανή κουρέματος δεν μαζεύει καλά το υλικό.	Το ύψος κοπής είναι υπερβολικά χαμηλό.	Μεγαλώστε το ύψος κοπής.
Η μηχανή κουρέματος προκαλεί κραδασμούς στις υψηλότερες ταχύτητες.	Η λεπίδα δεν είναι ισορροπημένη ή έχει υποστεί φθορές σε υπερβολικό βαθμό ή ανομοιόμορφα.	Αντικαταστήστε τη λεπίδα.
	Ο άξονας του κινητήρα έχει καμφθεί.	Σταματήστε τον κινητήρα, αφαιρέστε το κλειδί απομόνωσης και την μπαταρία, αποσυνδέστε την παροχή ισχύος και ελέγξτε για ζημιές. Επισκευάστε το προϊόν σε εξουσιοδοτημένο κέντρο σέρβις πριν το χρησιμοποιήσετε ξανά.
Ο κινητήρας σταματά κατά τη διάρκεια της κοπής.	Το ύψος κοπής είναι υπερβολικά χαμηλό.	Μεγαλώστε το ύψος κοπής.
	Η μπαταρία δεν έχει ισχύ.	Φορτίστε την μπαταρία.

Αν αυτές οι λύσεις δεν αντιμετωπίζουν το πρόβλημα, επικοινωνήστε με τον εξουσιοδοτημένο τεχνικό σέρβις.

العربية (تعليقات الأصلية)

تفاصيل النموذج

بإشعال أو تشغيل المحرك	2502907
عقودها	46 مم
عقودها	80 - 25 مم
لمح نود	2800
سرعة ذاتية الدفع	0.5-1.5 m/s
مستوى ضغط الصوت	LpA: 76dB(A), K: 3.0
قياس مستوى طاقة الصوت	LwA: 85.5 dB(A)
زائتها	1.5 ك، 2.0 ك
شوائبها	52 رطل
يفصلها	28 (مجمك 15.05) لتر
رايها	2920407
هيها	نوي، موي
ليها	2918307 / 2918407
هيها	
ليها	2918507
لها	

فصلها

1. إبطها
2. روتومها
3. ليها
4. ليها
5. ليها
6. عافتها
7. هيها
8. هيها
9. هيها
10. شوائبها
11. هيها
12. ديها
13. ضيقها
14. لها
15. شوائبها
16. هيها
17. هيها
18. بابها
19. تفاصيلها
20. هيها

21. روتومها
22. حورمها
23. هيها
24. هيها
25. هيها
26. هيها
27. هيها
28. هيها
29. هيها
30. هيها
31. هيها
32. هيها
33. هيها

ريحتها

أو قيها رطخ ببسي دي رخأ تايرطبا بلع يا مادختها
صاخشأا قباصا، وأيها رطبا قفصلها

تعريف على آلة جز الحشائش والأعشاب الخاصة بك

1. لكشها

زاهها لوح شاملها هف جتنها اذل نأا مادختها بلطتها
قصرها نع الضف ليها انه يف قنضتها شاملها
جتنها انه مادختها لبق. بب مايقأا لواحت يتلا عورشها
مألسها دغوقو ليغشها تاها قفاك على فرعت

هيها

هيها يف يقبتمها نحلها راقم هيها دادع سيقها

شوائبها

نم اهنمها ببشها تاها صرق شوائبها عيمجت وقنص عمجها
زحها قيلمع انشا قضاغلها لتقيدح يف هيها

عافتها

عيقوتها تا عافتها نالها يدعت عافتها لي دعت عارذ رهوي

روتومها

زج طالا قيقولها ديها على عاقولها روتومها مكحتها لبك
قرفشها روتومها لصفوي بطري باشعال أو شوائبها

هيها

يطغها قيطغها سباقب دوزم لتصاخ باشعال أو شوائبها زج
عيقوتها زحها قأا قرفشها حمها امم هيها هيها
عفتها قري عوص عيقولها عيقوتها دادع هب

هيها

امدع لتصاخ زحها قأا يف هيها هيها هيها
ليضفت دنع وأ متيطغها بعصوي هيها عافتها
هيها هيها هيها مادختها دنع. هيها هيها
نم طولها لكشها ريكها قنضها قري عوصها باشعال أو عيقولها
هيها سباق مادختها دنع هيها قري عوصها باشعال الكلت

العربية (تعليقات الأصلية)

باب يلع تحتفل ربع شئاشحل عمجم يلع تافاطخل دتبت
يفلخل فيرصتلا.

فيطغتل سباق بيكرت

5. لكشلا رظنا

- طفسم أو يفلخل فيرصتلا باب عنرا
- وحنلا يلع لئام فيوازب اهلخدأو ديلا نم فيطغتل سباق لئسم
ن. يفلخل.
- نهالقم يف هتيبشتل فيطغتل سباق عندا
- يفلخل فيرصتلا باب ضفخا

يبناجل فيرصتلا فراح بيكرت

6. لكشلا رظنا

- موقت ال ، يبناجلا فيرصتلا فراح امدختسا دنع : فطوخل م
سباق لظني نا يغبن ي . شئاشحل عيمجت قودنص بيكرتبت
انتبتم . فيطغتل
- طفسم او يفلخل فيرصتلا باب عنرا
- بيضقلا فطراوب فراجلا يلع تافاطخل اذاجب مق
بابلا نم يلفسلا بناجلا يلع ليصفملا
- بيضقلا يلع تافاطخل تيبيشت متي يتح فراجلا ضفخا
فيطغتل بابلا ليصفملا
- يبناجلا فيرصتلا بابو فراجلا رح

قرفشلا عافترا طبض

7. لكشلا رظنا

عيطقت عضو يلع زجلا قلا تالجع تيبيشت متي ، نحلل دنع
عيطقتلا عضو طبضا ، فرم لوال زجلا قلا امدختسا لبق . ضفخنم
طسورتم غلبي نا يغبن ي . قو يدخل بشع بساني عافترا لصفال
لالخ مم 70 و مم 51 و ، كدرايلا روشلا لالخ مم 51 و مم 38 بشعلا
خناسلا روشلا

قرفشلا عافترا طبض

- فطرحو عافترا لا طبض عارذب لئسم ، قرفشلا عافترا كدايول
زجلا قلا نم يفلخل ازل اجتا يف
- فطرحو عافترا لا طبض عارذب لئسم ، قرفشلا عافترا ضفخل
زجلا قلا نم يماملا ازل اجتا يف

ليغشلتلا

⚠ ريذحت

هينائل لامهالا نا ركذتو ، لامه تاجتنملاب كعتفر عم لعتت ال
قريطخ قباصل قاحلال فيكفي قحوا

⚠ ريذحت

دق لئلذب ازلتلا يف لشفلا : ني عا تايقوا امياد يتدرا
يف ببستتي دق امم كينيغب عايشا اطئرا يف ببستتي
قلمتجم قريطخ قباصل شوح

⚠ ريذحت

قرفشلا نم اهب يصوم ريغ تارواسلكا و اتاقلحلم يا امدختست ال
و اتاقلحلم امدختسا ببستتي نا نكفي . جتنملا اذل عنصملا
قريطخ فيصخش قباصل شوح يف اهب يصوم ريغ تارواسلكا

⚠ ريذحت

ازجا يا نع اشعب باشعالو شئاشحل زج قلا امياد صخفا
يوايت مدع او ، قرفشلا يف ررضت يا او قرضتتم او كدوقم
ازجاب جتنملا امدختسا نا شح . امدختسال لبق دئاز يلب او
قباصل شوح يف ببستتي نا نكفي كدوقم او قرضتتم
قريطخ فيصخش

- ليغشت او كرفملا ليغشت دنع زجلا قلا لاماب موقت ال
هذه يف ليغشلتلا عدبل زلا لاماب بجي ناك نا ال روتوملا
عنراو يرورضلا دحل نع ديزي امب اهتل اماب موقت ال لالجل
طوق ل غشلملا نع ديغشلا ازلجل
- غيرفتلا بوبن امد فقوللا دنع كرفملا ليغشت ال
- دعتباو ، قراولا ازلجال نم بقرلاب كيدي موقت ال
فيرصتلا عشتف نع امياد
- لغشلملا ليذل عوجرلا يجرى ، نحلل قلاملا تاميلعتلا قرفم
مسق يف جردملا ناولشلا تايواطملا بلع لوح تاميلعتلا
تافاصولما

تايواطملا قبلع بيكرت

8. لكشلا رظنا

- لئسم او فيراطملا باب عنرا
- زجلا قلا فيراطملا فخنم عم فيراطملا اذاجب مق
- ناو نهالقم يف رقتسم فيراطملا ريحرت رز نا نم دلقات
باشع زجلا قلا لخاد لمالاب كعتبتمو قلمتجم فيراطملا
ليغشلتلا عذب لبق
- فيراطملا حاتفم لخدا
- حاتفم لخت ال روفلا يلع قلا امدختست فوس نكفت مل ن
فيراطملا
- بابلا قلا غا

تايواطملا قبلع قلازل

8. لكشلا رظنا

- جتنملا فقوا دق يئابرهكلا رايتلا عارذ رح
- فيراطملا قرح يلا لوصولك فيراطملا باب حفتا
- فيراطملا حاتفم عنرا
- نم لقل نال زجلا قلا يلع فيراطملا ريحرت رز يلع طغضا
اليلق زاوجل نع فيراطملا عافترا يف ببستتي نا نكفت
- جتنملا نم فيراطملا قبلع عنرا

باشعالو شئاشحل زج قلا ليغشت فساقي ال ليغشت

9. لكشلا رظنا

- يلع طغضلا يف رمتساو نامال لغق رز يلع طغضا

العربية (تعليقات الأصلية)

- بث زرجل علأ لي غشتت عنبيل ديلأ يلد علأ وابرملطلا عارذ بذجا نامالال لفق رز يلد طغضملأ نع فقوت.
- يئابرملطلا رايئتلأ عارذ ررح زرجلأ علأ لي غشتت فئاقيل.
- لكرملأ وطابت عم قراشو دئاح اضروض رصيت دق : **تظوحلم** يعي بيط رم و مو يئابرملطلا.

يتاذلأ عئدلب زرجلأ

رظنا 9 لكشلا رظنا.

يتاذلأ عئدلب قزيم لي عئفتل

- فيراطبلا باب حتفئا.
- فيراطبلا لخدأ.
- فيراطبلا حتفئم لخدأ.
- ديلأ يلدالصي يتح يلد علأ يلدأ عئدلبا يتاذ عارذلا بذجا.

يتاذلأ عئدلبا قزيم فئاقيل

- يتاذلأ عئدلبا عارذ ررح.

يتاذلأ عئدلبا قزيم وعرس طبضل

- بنرألا قملع وحن ريغئتملا وعسرلا يف مكحتلا عارذ بذجا .وعسرلا كدأزل.
- فافحلسلا قملع وحن ريغئتملا وعسرلا يف مكحتلا عارذ عئدا .وعسرلا ضفخل.

زرجلأ قيلمع لوح حواصن

- اءيشال او كئلسال او نا يصعلو راجع الأ نم يلدأخ بش علأ نم دلكت ال روتوملأ وازرجلأ فلأ فرفش فلكنت نأ نكلمي يتلأ يرخالآ فيندعجلا تاماعلا وأ تائفلكتملأ دودج تاماعل ع قوف زرجلأ بقت أطخلأ ليبس يلدع اءيشالآ هذ رياطنت نأ نكلمي شيح .يرخالآ فيصخش قئصا بئاصرا شودح يف ببستتو هاجتا وا يف زرجلأ فلأ نم نيرخالآ لو غشملل قريطخ.
- لوط ثلث ميلمق تبت امئاد مق ،يحص بش عب عاتمستال للقأ و اءيشاشحلا.
- لفسأ يف قلعجت فوس انال قلببملا شئاشحلا عطوت ال عطقولل قتمئالملأ فيطغئتلأ و اءيبعتلا عنجتو حطسلا قريغصلا اءيبشعلأ.
- رثكأ يعطقت قئفيثكلا و اءيديجلأ شئاشحلا بلمتت دق .عيطقتلل يلدع اعفترا و اقريض.
- عطقلا فلأ زال مادختسار لك دعب زرجلأ فلأ حطس لفسأ فظن ىرخأ تائفلمق ياو خاسوالأ و قاروالأ قريغصلا اءيبشعلأ قملكتم.

- حامبرلل ريبلا وعرس نم ضفخا ،فلأ يوش شئاشح يعطقت دنع عطقولل لصفأ فيرصتو لاءعفلأ عيطقتلأ نم ديزمل قريغصلا اءيبشعلأ.

- لكرتا و زرجلأ فلأ ليغشتت فئاقيل يلدع امئاد صرحا : **تظوحلم** فيظنت لبق فيراطبلا حتفئم عزنا بث ،امامت فقوت تارفضلا قلالا لفسأ.

تارذحنملا يلدع ليغشتلا

ريذحت

طوقملاو قالزنالا شداو ب قلعئتي يسأسأ لماع يه تارذحنملا بلطتي اذلو .قريطخ قئاصرا شودح يف ببستت نأ نكلمي يتلأ رغئت ال تنك نأ .رذجلأ نم ديزم تارذحنملا يلدع ليغشتلا باش علأ شئاشحلا زج فلأ مدختست ال ،تارذحنملا يلدع عارلاب .عجرد 15 نع ديذت تارذحنم يلدع زرجلأ لوات الو ،كئتمالسل ،نذإ.

ريذحت

زج دنع كضفخنم وعرس يلدع يتاذلأ عئدلبا اقئبا يجرى .رذحنم يلدع شئاشحلا.

- ارذح نك .طوبسو دوعص نود تارذحنملا عوجاوم يف شئاشحلا زج .تارذحنملا يلدع هاجتال ريغئت دنع قئاعلل.
- ،قراظلا ريغ اءيشالآ او ،روخصلآ او ،نديخالآ او ،رفحلأ نم سرتحا شيح .رثعئلا و اءالزنالا يف ببستت دق يتلأ تئابطلأ و صلخنتلا بچي اذلو ،قئاعو ليوطلا بشعلأ يفخي نا نكلمي دق امم اءريغو ،راشالآ فارطأو .روخصلال لشم اءيشالآ فئاك نم قرفشلا قئصاوب رياطنتلا و اءرثعئلا يف ببستتي.
- قالزنالا ببستتي دق شيح .لكيهدق عضوم نم امئاد دلكت لئباب رغئت تنك نأ .قريطخ فيصخش قئاصرا يف طوقملاو يلدع يئابرملطلا رايئتلأ عارذ ررح ،كئزوت دقتت فوس روقلا.
- ،رفحلأ و ،قرفملا دئاحال تارذحنملا نم برقلا بذجلأ بقت ال .كئزوت و لكيهدق عضوم دقتت نأ نكلمي شيح ،دوسرلا و اءيشالآ.

تفسير يلدع صنوق تاجمعي الحشائش

10 لكشلا رظنا

- بث ،امامت فقوتت تارفضلا لكرتا و زرجلأ فلأ ليغشت فقوأ .فيراطبلا حتفئم عزنا.
- .يفلخلأ بابلا عئرا.
- زج فلأ نم وعزئل مضبقم نم شئاشحلا عيمجت قودنص عئرا .باش علأ شئاشحلا.
- قريغصلا اءيبشعلأ عطقلا عويرفتب مق.
- شئاشحلا عيمجت قودنص بيقرت دعأ و يفلخلأ بابلا عئرا .ليلدلأ اذه يف اقبسم نيبملا و حنلأ يلدع.

قئاصلا

ريذحت

حئتمبو زرجلأ فلأ فيراطب عزن نم دلكت قئاصي يا اءأ لئبق قئاصرا شودحو دوصقملا ريغ قلالا ليغشتت بنجتلأ فيراطبلا قلمتحم و قئلاب فيصخش.

العربية (تعليقات الأصلية)

⚠ ريذحت

حصرملها ريغ لي غشمتلا وأ دو صوقملا ريغ لئالآ لي غشمت عنمل لباق نام احتفيمب فيكس الالدا شئاش حلأ زج فلأ زي هجت بت ،هب احتفيمب عزن يغبني ،امامت عزن فلأ لي طعت متي فيل .عز نزل نع ذي عبو زجلا فلأ نع ذي عب نكلم فيف هب ظفحات الالو نامال .لافطالآ لو انتم

املها مدختست الو برخال نا نم فقيظن شامق ةعقوب قلآلا حسما .

مي حشمتلا

نم فيفاك رادقمب جتتملا اذه يف لامحلها ففاك ميجشت يغبني تحت ددحو ليل يضرار شفال رملع الال ح دوجملا يف لامع ميجشت تيز ن م ديزم لدا جاتحت نل يلماتلابو .ةيعيبطلا لي غشمتلا فورظ لامحلل ميجشتلا

⚠ ريذحت

نا شيع طوق خدمتعملها رايغلا عطق مدختسا حصالا ننع رضرت يف ببستتي وأ رطخ يمشنني دق يرخأ اءراجأ يء مدختسلا .جتتملا

⚠ ريذحت

وأو لئيقت تازافق اندتراب نيديلا فيامح لءع امءاد صرحا ننايص دنع يرخأ فدام وأ قرخب قرفشلا نم ةعطقلا فواو فل قباصرا شوح يف قرفشلا شمالم ببستتي دق شيع .تارفشلا قريطخ فيصخش

⚠ ريذحت

وأ شئاش حلأ نم فيلخ تايراطبلا قريجو روتوملا لءع ظفاح دحلا لءع دسامي نا نئاش نم لئل نال .دئازلا مچشلا وأ فاروالا .قيدرحلأ وطام نم

⚠ ريذحت

ميجشت ببستتي دق شيع لءع لئل تانوكم يا ميجشت بتوت لام ببستتي دق ام مدختسالا انشا لشفلا يف لءع لئل تانوكم مءاقلأ صخشلا وأو لءعشملل قريطخ فيصخش قباصرا شوح يف .تالكتتملها رضرت وأ زجلاب

مدعالمقنايصلنا

قرفرضتم ءازجأ ننع لشحب لماللاب جتتملا صمحا ،مدختسا لك لبق ،ةيطع الالو ريماملالو لي مواصلالو يغازبلا لشم ظكفمب وأ دتوقفمب وأ لئل ريغو

يتح جتتملا اذه لءعشمت الو مالجاب فيطع الالو تاتبشملها ففاك طبرا لاصلتالا يزجري .قرفرضتملا وأ دتوقملا مچشلا ففاك لادبستسا متي دءعاسملل Greenworks قفشرب صمخالء عالمحلها مدخذب

ةيكي فيتس الابلأ ءازجالأ فيظنت ننع تاتبشملها مدختسا بنجبت مدختسا ننع رضرتلل قضرور ءيكي فيتس الابلأ داوملا مدغم نا شيع ام مدختسا ءارج فلئتت نكميو فيراجتلا تاتبشملها نم قفلتتم علوانا ،تويوزلاو ،خاسروالو ،هبرتالا ءازلال قفيظن شامق ةعطق مدختسا لئل ريغو مچشلاو

ةعطقلا قرفشلا لادبستسا

11-12 لكشلا رظنا

تارفشلا لببستسا .طوق خدمتعمل لادبستسالل تارفش مدختسا :فظو حلم انزاولت لءع ظفاح لئل لئالآ يف ريماملالو قرفرضتملا وأ فيلابل

- قرفشلا لكرتا .فيراطبلا احتفيمب عزنا مٲ روتوملا فوقأ .امامت فوقوتت
- تايراطبلا تبلىع عزنا
- اهبناج لءع زجلا فلأ بلبقا
- عنمل زجلا فلأ حطسو قرفشلا نييب ءيبيشخ طلتك لءعا
- نارودلا نم قرفشلا
- ءعابملا براقع اءجتا سركع مفل لال ح نم قرفشلا رامسم لفف وأ طبر احتفيمب مدختساب (زجلا فلأ لغسرا نم اءملا رظني امك) (رفسوم ريغ) مم 27 ساقم سبقم
- قرفشلاو قرفشلا رامسم عزنا
- اءيج قرفشلا تائبث نم لكأسو ،نومعلا لءع دءي ء قرفش عض لءعا اضياو ءيزكءملا قرفشلا ءسفت ربع نومعلا رمي تبيحب لءع امب صمخالء امءاشحتف يف ءورملا لءع قرفشلا يتامء ء تايءنلا هءوتت شيعب اببي لرت نم لئل لك لكات .قرفشلا لغسالا لءا سيلو زجلا فلأ حطس اءجتا لءع لءا شوقملا وحنلا لءع كتبتتم قرفشلا نولكت اءنوع .صنرالا ءءوجم يف ءورملا لءع يف ءحطسرم نولكت اءنواف حيصرلا

⚠ ريذحت

ءاالآ فيظنتب ادبأ موقت ال ،شءاو ح عوقو وأ فلئتلا رطخ نم دحلل يراجلا اءملا تحت وأ طو ءحضم امب

⚠ ريذحت

نم فيراطبلا لءع بامءا بق .طوق فيلخ اءلا نكالملا فيف زرخي انيوزتت وأ ءاالآ فيظنت ننع نءاشلا وءاصحلأ

⚠ ريذحت

ننيزنابلو ،لمازفلا لئاس تقاولا نم تقو يا يف لكرتت ال سمالت نا كءفانلا تويوزلاو ،ظفنلا لءع ءمءقلا تاجتتملاو تايوامي لئا نكلمت نا نكلمت شيع .ةيكي فيتس الابلأ ءازجالا يف ببستتي دق ام اءمءوم اءعضتو ءيكي فيتس الابلأ ءازجالا قريطخ فيصخش قباصرا شوح

نم لكأتلل ماطنتاب يغازبلاو ريماملالو لي مواصلالو ففاك صمحا بشع الالو شئاش حلأ زج فلأ لي غشمتلا نامضلل اءيج اءتابث

العربية (تعليقات الأصلية)

- عباصالاب مطير مكح أو دومعلا يلح ع ؤرفشلا راميم قـل .
- ؤعاسلا براق ع حاجتا يف لفسالا يلإ ؤرفشلا راميم يولب مق راميملا نا نامضل (رفوتم ريغ) يول مزع حاجتم مادختساب نم ؤرفشلا يغبلل بب صوملا يوللا مزع ،مكحاب طوبيرم (الطرلا يف 350-400) هس يلقت مكح قـح و 62~ 71.5.

ؤيؤيبلا ؤيامحلا

- ؤريبك ؤيمهأ تاذ ؤيولوا ؤيؤيبلا ؤيامحلا نوكت نا يغبني يعامتجالا شياعتلا نم لك ديفي امب ؤلالا مـه مادختسا دنع يا شودح يف ببسـتلا مدع لواح ،امب شيعن يتلا ؤيؤيبلاو ؤطيحـملا ؤقطنـملا يف لالتخا .
- ؤصاخلا ؤيلحـملا حياوللا يلإ قـقـب لائتمـالا يغبني رصانع ياو ؤقلاتلا ؤازجالاو فـيلـمـتـلا داوم نم صلخـتـلاب نم صلخـتـلا بجي الو ،ؤيؤيبلا يلح ع يوق رشا امل ىرخا املصف يغبني لب ؤيداعلا تافـلـمـلا عم ؤرولمـلا تافـلـمـلا شيح ؤصـخـمـلا تافـلـمـلا نم صلخـتـلا زكارم يلإ املسرو داوملا مـه ريودت قـداغـا مـتي .
- صلخـتـلاب ؤصاخـلا ؤيلحـمـلا حياوللا يلإ قـقـب لائتمـالا يـجـري شـياشـحـلا زج نم ؤقلخـتـمـلا داومـلا نم .
- امب ؤيؤيبلا شيولتـب مـقتـال ،ؤلالا مادختسا نع فقوتلا دنع نيناوؤلل اقـفو تافـلـمـلا نم صلخـتـل زكارم يلإ امـلس لب ؤيرامـلا ؤيلحـمـلا .

العربية (تعليقات الأصلية)


أهـ الصاـو عا طخاإا فاشاكتسا

لحلا	لمتخما ببسلا	قل لكشما
ريماسم نأ نم دكأتو ديلا عافترا طبضا لكشب قمتبتم بقورلا عيبرم طبر جيحص.	قمتبتم ريغ بقورلا عيبرم طبر ريماسم اديج.	امنالكم يف تسيل ديلا
فيراطبلا نحشا.	ضفخنم فيراطبلا نحش.	لمعت ال باش عال او شئاش حل ارج علأ.
فيراطبلا لدبتسا.	نحشت ال و لمعت ال فيراطبلا	
ادخل مفتاح البطارية.	مفتاح البطارية غير مدخل.	
بجي، يلعأ يوتسم يلأ تالاج علأ لروح عافترا سفن يف تالاج علأ ففالك عضوو لكشب عطوئل ارج علأ لعال عيطقتلا يواستم.	عافترا و يواستم ريغ و أشخ بش علأ بسانم ريغ عيطقتلا	عطقت باش عال او شئاش حل ارج علأ يواستم ريغ لكشب شئاش حل
فيلمع لبق شئاش حل فجت يتح رطتنا ارج علأ.	للبلما تري غصلا فيبش علأ عطولا ارج علأ حطس لفساب ققصتلم	فاطغم ريغ باش عال او شئاش حل ارج علأ اديج.
عيطقتلا عافترا قدايزب مق.	يفلخ ارج علأ لآ تيبم، ليوط بش علأ و ليقئلا بش علأ يف نارجن يترفشلا و ارج ضفخنم عيطقتلا عافترا نأ	باش عال او شئاش حل ارج علأ عقد بعصري
عيطقتلا يوتسم عفرا.	ارج ضفخنم عيطقتلا عافترا	أباعم ريغ باش عال او شئاش حل ارج علأ جيحص لكشب
ترفشلا لدبتسا.	كفلتسم و، قزاوتم ريغ قرفشلا فيواستم ريغ و أدياز الكالمتسا	يلع زيتت باش عال او شئاش حل ارج علأ فيلعا ع عرس.
حاتغم عرنا مٲ، روتوملا ليغشت فوقأ، هابرا طفا روصم لصفاف، فيراطبلا و لزعلا حالصا نكمي، ررضتلا نع اثحب صخفاو دمتم نم نايص زكرم لبق نم ررضتلا هديلا قداع لبق	يوتلم روتوملا دومع.	
عيطقتلا عافترا قدايزب مق.	فيغلل ضفخنم عيطقتلا عافترا	عيطقتلا اناثأ فوقوتي روتوملا
فيراطبلا نحشا.	فيراطبلا نحش عرف	

لكيدل دمتم علما قمدخا لي لكوب لصتا لكشما لح يف لولحل ا هذه دمست مل نأ

Türkçe (Orijinal talimatlar)

ÖZELLİKLER

Teknik Özellik	2502907
Kesme genişliği	46 cm
Kesme yüksekliği	25 mm - 80 mm
Yüksüz hız	2800 rpm
Kendinden tahrikli hız	0.5-1.5 m/s
Ses basıncı seviyesi	LpA :73 dB(A), K:3.0
Ölçülen ses gücü seviyesi	LwA :85.5 dB(A)
Maksimum titreşim	<2.5 m/s ² , K=1.5
Çim haznesi kapasitesi	52 L
Net ağırlık	28 kg
Yedek Bıçak	2920407
Akü	Lithium-ion
Model numarası	2918307 / 2918407
Akü şarj cihazı	
Model numarası	2918507
Çift yalıtımlı yapı	

AÇIKLAMA

- Güç kolu
- Motor kontrol kablosu
- Çalıştırma düğmesi
- Üst kulp
- Alt kulp
- Yükseklik ayar kolu
- Akü kapağı
- Ön tekerlek
- Arka tekerlek
- Çim haznesi
- Akü (dahil değildir)
- Kulp topuzu
- Düğme
- Cıvata
- Çim haznesi kulbu
- Arka kapak
- Arka boşaltma ağız
- Kapak çubuğu
- Kancalar
- Bıçak

- Motor mili
- Fan
- Bıçak cıvatası
- Bıçak yuvası
- Akü serbest bırakma düğmesi
- Malçlama tapası
- Yan boşaltma deflektörü
- Yan boşaltma kapağı
- Tahta blok (dahil değildir)
- Anahtar (dahil değildir)
- Akü anahtarı
- Kendinden tahrik kolu
- Kendinden Tahrik hız kontrolleri

⚠ UYARI

Başka bir akü takımının kullanılması yangın, elektrik çarpması veya fiziksel yaralanma riski ile sonuçlanabilir.

ÇİM BİÇME MAKİNENİZİ TANIYIN

Bakınız Şekil 1.

Ürünün güvenli kullanımı giriştiğiniz proje ile ilgili bilgi sahibi olmanızın yanı sıra aletin üzerindeki ve bu kullanıcı kılavuzundaki bilgilerin anlaşılmasını gerektirir. Bu ürünü kullanmadan önce tüm çalışma özelliklerini ve güvenlik kurallarını öğrenin.

AKÜ ÖLÇER

Akü ölçer aküde kalan şarj miktarını ölçer.

ÇİM HAZNESİ

Çim haznesi çim kırıntılarını toplar ve bunların siz çimleri biçerken çimlerinize üzerine boşaltılmasını önler.

YÜKSEKLİK AYAR KOLU

Yükseklik ayar kolu kesme yüksekliği ayarlarının yapılmasını sağlar.

MOTOR KONTROL KABLOSU

Çim biçme makinesinin üst kulbunda bulunan motor kontrol kablosu motoru ve bıçağı birbirine bağlar ve ayırır.

MALÇLAMA TAPASI

Çim biçme makineniz arka boşaltma ağızını kapatan ve çim biçme makinesi bıçağının daha ince kırıntı elde etmek için kesilenleri tekrar kesmesini sağlayan bir malçlama tapası ile donatılmıştır.

YAN BOŞALTMA DEFLEKTÖRÜ

Çim malçlama yapmak için çok uzun olduğunda veya yandan boşaltma tercih edildiğinde çim biçme

Türkçe (Orijinal talimatlar)

makinizdeki yan boşaltma deflektörünü kullanın. Yan boşaltma deflektörü kullanıldığında oluşan çim kırpıntıları malçlama tapası ve yan malçlama plakası kullanıldığı zaman oluşan kırpıntılardan belirgin ölçüde daha büyüktür.

YAN BOŞALTIMA KAPAĞI

Çim biçme makineniz eğer malçlama tapası bağlanmışsa çim biçme makinesi bıçağının daha ince kırpıntı elde etmek için kesilenleri tekrar kesmesini sağlayan, aksi takdirde çim kırpıntılarını toplama torbasına gönderen yan boşaltma ağızını kapatan bir kapakla donatılmıştır.

MONTAJ

AMBALAJINDAN ÇIKARTMA

Bu ürünün monte edilmesi gerekir.

- Ürünü ve kutudaki tüm aksesuarları dikkatlice çıkartın. Çeki listesinde listelenen tüm parçaların kutuda mevcut olduğundan emin olun.

⚠ UYARI

Eğer çeki listesinde yer alan herhangi bir parça, ürünü paketten çıkarttığınızda zaten ürünüze monte edilmişse bu ürünü kullanmayın. Bu listede yer alan parçalar üretici tarafından ürüne monte edilmez ve müşteri tarafından kurulması gerekir. Hatalı şekilde monte edilmiş bir ürünü kullanmak ciddi fiziksel yaralanmalara neden olabilir.

- Nakliye sırasında hiçbir kırılma veya hasar meydana gelmediğinden emin olmak için ürünü dikkatlice inceleyin.
- Ürünü dikkatlice inceleyene ve çalışmasından memnun olana kadar ambalaj malzemesini atmayın.
- Eğer herhangi bir parça zarar görmüşse veya eksikse lütfen yardım için Greenworks servis merkezini arayın.

ÇEKİ LİSTESİ

- Çim biçme makinesi
- Akü anahtarı
- Çim haznesi
- Malçlama tapası
- Yan boşaltma deflektörü
- Kullanıcı kılavuzu
- Topuzlar
- Civatalar

⚠ UYARI

Eğer herhangi bir parça zarar görmüşse veya eksikse parçalar değiştirilene kadar bu ürünü kullanmayın. Hasarlı veya parçaları eksik bir ürünü kullanmak ciddi fiziksel yaralanmalara neden olabilir.

⚠ UYARI

Ürün üzerinde değişiklik yapmaya veya bu ürünle birlikte kullanılması önerilmeyen aksesuarlar kullanmaya çalışmayın. Bu tür bir değişiklik veya modifikasyon hatalı kullanım olarak değerlendirilir ve ciddi fiziksel yaralanmalara yol açabilecek tehlikeli bir duruma neden olabilir.

⚠ UYARI

Akü anahtarını montaj tamamlanana ve çim biçmeye hazır olana kadar takmayın. Buna uymamak ürünü kazara çalışmasına ve olası ciddi fiziksel yaralanmalara neden olabilir.

⚠ UYARI

Ciddi fiziksel yaralanmaya neden olabilecek şekilde kazara çalışmasını önlemek için parçaları monte ederken akü takımını daima üründen ayırın.

⚠ UYARI

Çim biçme makinesini hiçbir zaman uygun güvenlik cihazları yerinde ve çalışır durumda değilken kullanmayın. Güvenlik cihazları hasarlıyken çim biçme makinesini hiçbir zaman kullanmayın. Zarar görmüş veya eksik parçalara sahip ürünün çalıştırılması ciddi fiziksel yaralanmalara neden olabilir.

UNFOLDING AND ADJUSTING LOWER HANDLE

Bakınız Şekil 2.

- Her iki tarafta bulunan alt kulpları gevşetmek için iki taraftaki kulp topuzlarını çekip 90° döndürün.
- Alt kulpları çalışma konumuna getirin. Kulbu rahat kullanabileceğiniz bir konuma kaldırabilir veya indirebilirsiniz. Tercih edebileceğiniz 3 konum vardır. Alt kulbu o konuma kilitlemek için kulp topuzunu bırakın.

NOT: Doğru montaj için her iki tarafın aynı konuma ayarlandığından emin olun.

ÜST KULBUN TAKILMASI

Bakınız Şekil 3.

- Üst kulp ve alt kulp üzerinde bulunan montaj deliklerini

Türkçe (Orijinal talimatlar)

hizalayın. Taşıyıcı civataları takın ve bunları sıkmak için topuzları kullanın. Bu çalışmayı diğer taraf üzerinde tekrarlayın.

ÇİM HAZNESİNİN TAKILMASI

Bakınız Şekil 4.

- Arka boşaltma kapağını kaldırın.
- Toz toplama sepetini kulbundan tutarak kaldırın ve çim toplama sepetindeki kancaların kapak çubuğuna oturtması için arka boşaltma kapağının altına yerleştirin.
- Arka boşaltma kapağını serbest bırakın. Doğru şekilde takıldığında çim toplama sepetindeki kancalar arka boşaltma kapağındaki açıklığın içinden dışarı uzanır.

MALÇLAMA TAPASININ TAKILMASI

Bakınız Şekil 5.

- Arka boşaltma kapağını kaldırıp bu hâlde tutun.
- Malçlama tapasını kulbundan tutun ve hafif açılı şekilde gösterildiği gibi yerleştirin.
- Malçlama tapasını sıkı bir şekilde yerine itin.
- Arka boşaltma kapağını indirin.

YAN BOŞALTIMA DEFLEKTÖRÜNÜN TAKILMASI

Bakınız Şekil 6.

NOT: Yan boşaltma deflektörü kullanıldığında çim haznesini takmayın. Malçlama tapası takılı kalmalıdır.

- Yan boşaltma kapağını kaldırın.
- Deflektördeki kancaları kapağın altındaki menteşe çubuğu ile aynı hizaya getirin.
- Kancalar malçlama kapağı menteşe çubuğunun üzerine sabitlenene kadar deflektörü indirin.
- Deflektör ve yan boşaltma kapağını serbest bırakın.

BİÇAK YÜKSEKLİĞİNİN AYARLANMASI

Bakınız Şekil 7.

Sevkiyat sırasında çim biçme makinesi üzerindeki tekerlekler alçak kesim konumuna ayarlıdır. Çim biçme makinesini ilk kez kullanmadan önce kesme konumunu çimlerinize için en uygun yüksekliğe ayarlayın. Ortalama çim seviyesi soğuk aylarda 38 mm ve 51 mm ve sıcak havalarda 51 mm ve 70 mm arasında olmalıdır.

Bıçak yüksekliğini ayarlamak için

- Bıçak yüksekliğini artırmak için yükseklik ayar kolunu tutun ve çim biçme makinesinin arkasına doğru çekin.
- Bıçak yüksekliğini artırmak için yükseklik ayar kolunu tutun ve çim biçme makinesinin önüne doğru çekin.

KULLANIM

⚠ UYARI

Ürünü kullanırken dikkatinizi dağıtacak şeylerden kaçının. Bir anlık dikkatsizliğin ciddi yaralanmalara sebebiyet vermek için yeterli olduğunu unutmayın.

⚠ UYARI

Her zaman koruyucu gözlük takın. Aksi, nesnelerin gözünüze fırlamasına ve olası ciddi yaralanmalara neden olabilir.

⚠ UYARI

Bu ürünün üreticisi tarafından önerilmeyen herhangi bir ek parça veya aksesuar kullanmayın. Önerilmeyen ek parçaların veya aksesuarların kullanılması ciddi fiziksel yaralanma ile sonuçlanabilir.

⚠ UYARI

Daima çim biçme makinesini kullanmadan önce eksik ve hasarlı parçalara ve bıçağı hasara, dengesiz veya aşırı aşınmaya karşı inceleyin. Hasarlı veya parçaları eksik bir ürünü kullanmak ciddi fiziksel yaralanmalara neden olabilir.

- Motoru çalıştırdığınızda çim biçme makinesinin çalıştırılması için yatırılması gerekmedikçe çim biçme makinesini yatırmayın. Bu durumda tam olarak gerekenden fazla yatırmayın ve parçayı sadece kullanıcıdan uzağa doğru kaldırın.
- Boşaltma kanalının önünde dururken motoru çalıştırmayın.
- Ellerinizi ve ayaklarınızı döner parçaların yanına veya altına koymayın. Boşaltma ağzından her zaman güvenli bir mesafede durun.

Eksiksiz şarj talimatları için teknik özellikler kısmında listelenen akü takımları ve şarj cihazlarına yönelik kullanım kılavuzuna bakın.

AKÜ TAKIMININ TAKILMASI

Bakınız Şekil 8.

- Akü kapağını kaldırıp bu hâlde tutun.
- Aküyü çim biçme makinesinin akü bölmesi ile hizalayın.
- Akü serbest bırakma düğmesinin ve helps akünün tamamen yerine oturduğundan emin olun ve kullanmaya başlamadan önce çim biçme makinesi

Türkçe (Orijinal talimatlar)

içinde sabitleyin.

- Akü anahtarını takın.
- Eğer makine hemen kullanılmayacaksa akü anahtarını takmayın.
- Kapağı kapatın.

AKÜ TAKIMININ ÇIKARTILMASI

Bakınız şekil 8.

- Ürünü durdurmak için güç kolunu serbest bırakın.
- Akü bölmesine erişmek için akü kapağını açın.
- Akü anahtarını çıkartın.
- Çim biçme makinesi üzerindeki akü serbest bırakma düğmesine basın. Bu akünün aletten hafifçe dışarı uzanmasını sağlayacaktır.
- Akü takımını üründen çıkartın.

ÇİM BİÇME MAKİNESİNİN ÇALIŞTIRILMASI/ DURDURULMASI

Bakınız şekil 9.

- Güvenlik kilidi düğmesine basın ve basılı tutun.
- Çim biçme makinesini çalıştırmak için güç kolunu yukarıya kulba doğru çekin ve güvenlik kilidi düğmesini bırakın.
- Çim biçme makinesini durdurmak için güç kolunu bırakın.

NOT: Elektrik motoru yavaşlarken çok tiz bir ses ve kıvılcım meydana gelebilir. Bu normaldir.

KENDİNDEN TAHRİKLİ ÇİM BİÇME

Bakınız Şekil 9.

Kendinden tahrik özelliğini devreye sokmak için:

- Akü kapağını açın.
- Aküyü takın.
- Akü anahtarını takın.
- Kendinden tahrik kolunu kolla aynı hizaya gelene kadar yukarı doğru çekin.

Kendinden tahrik özelliğini devre dışı bırakmak için:

- Kendinden tahrik kolunu bırakın.

Kendinden tahrik özelliğinin hızını ayarlamak için:

- Hızı artırmak için değişken hız kontrol kolunu Tavşan Sembolüne doğru çekin.
- Hızı düşürmek için değişken hız kontrol kolunu Kaplumbağa Sembolüne doğru çekin.

ÇİM BİÇME İPUÇLARI

- Çimlerin taştan, tahta çubuklardan, tellerden ve çim biçme makinesi bıçaklarına veya motora zarar

verebilecek diğer nesnelere temizlendiğinden emin olun. Temel kazıkları veya diğer metal direkler üzerinde çim biçmeyin. Bu tür nesnelere çim biçme makinesi tarafından herhangi bir yönde kazara fırlatılabilir ve kullanıcıya ve diğer kişilerde ciddi fiziksel yaralanmalara neden olabilir.

- Sağlıklı bir şekilde çim biçmek için her zaman toplam çim uzunluğunun üçte biri veya daha az uzunlukta kesim yapın.
- Islak çimleri kesmeyin, tabanın altına yapışacak ve kırıntılarının doğru şekilde toplanmasını veya malçlanmasını önleyecektir.
- Yeni veya kalın çimler daha dar bir kesim yolu veya daha yüksek bir kesim yüksekliği gerektirebilir.
- Çim kırıntılarını, yaprakları, kiri ve biriken diğer artıkları gidermek için çim biçme makinesi tabanının alt tarafını temizleyin.
- Uzun çimleri keserken daha etkili kesim yapmak ve kırıntılarının doğru şekilde boşaltılmasını sağlamak için yürüyüş hızınızı azaltın.

NOT: Çim biçme makinesinin altını temizlemeden önce her zaman çim biçme makinesini durdurun, bıçakların tamamen durmasını bekleyin ve akü anahtarını çıkartın.

EĞİM ÜZERİNDE ÇALIŞMA

⚠ UYARI

Eğimler ciddi yaralanma ile sonuçlanabilecek kayma ve düşme kazalarında önemli bir faktördür. Eğimler üzerinde çalışmak ekstra dikkatli olmanızı gerektirir. Eğer bir eğim üzerinde kendinizi huzursuz hissediyorsanız biçme yapmayın. Kendi güvenliğinizi için 15 dereceden daha fazla eğimler üzerinde çim biçmeye çalışmayın.

⚠ UYARI

Lütfen dik bir arazide çim biçerken kendinden tahrikli düğük hızda tutun.

- Çimleri eğim yüzeyine paralel şekilde biçin, hiçbir zaman yukarı veya aşağı doğru biçmeyin. Eğimler üzerinde yön değiştirirken çok dikkatli olun.
- Kaymanıza veya takılmanıza neden olabilecek deliklere, oluklara, kayalara, gizli nesnelere veya tümseklerle dikkat edin. Uzun çimler engelleri gizleyebilir. Kayalar, ağaç dalları vb. gibi üzerinize devrilebilecek veya bıçak tarafından fırlatılabilecek tüm nesnelere temizleyin.
- Yere her zaman sağlam bastığınızdan emin olun. Kaymak veya düşmek ciddi fiziksel yaralanmalara neden olabilir. Dengenizi kaybettiğinizi hissederseniz güç kolunu hemen bırakın.

Türkçe (Orijinal talimatlar)

- Yamaçların, hendeklerin veya toprak setlerin yakınında çim biçmeyin; ayağınız kayabilir veya dengeyi kaybedebilirsiniz.

ÇİM HAZNESİNİN BOŞALTIMASI

Bakınız şekil 11.

- Çim biçme makinesini durdurun, bıçağın tamamen durmasını bekleyin ve akü anahtarını çıkartın.
- Arka kapağı kaldırın.
- Çim haznesini çim biçme makinesinden çıkartmak için kulbundan tutarak kaldırın.
- Çim kırıntılarını boşaltın.
- Arka kapağı kaldırın ve çim haznesini bu kılavuzda daha önce açıklandığı gibi yeniden takın.

BAKIM

⚠ UYARI

Herhangi bir bakım çalışması yapmadan önce kazara çalışmasını ve olası ciddi fiziksel yaralanmaları önlemek için çim biçme makinesinin aküsünün ve akü anahtarının çıkartıldığından emin olun.

⚠ UYARI

Kazara çalışmasını veya izinsiz kullanılmasını önlemek için kablolu çim biçme makinesi bir çıkartılabilir emniyet anahtarı ile donatılmıştır. Çim biçme makinesini tamamen devre dışı bırakmak için emniyet anahtarı çıkartılmalı ve çim biçme makinesinden uzakta ve çocukların erişemeyeceği bir yerde saklanmalıdır.

⚠ UYARI

Servis yapılırken sadece izin verilen yedek parçaları kullanın. Başka herhangi bir parçanın kullanılması tehlike oluşturabilir veya ürünün zarar görmesine neden olabilir.

⚠ UYARI

Motor ve akü bölmelerini çimden, yapraklardan veya aşırı yağdan temizleyin. Bu yangın riskini azaltmaya yardımcı olacaktır.

GENEL BAKIM

Her kullanım öncesi tüm ürünü vidalar, somunlar, civatalar, başlıklar vb. gibi zarar görmüş, eksik veya gevşek parçalara karşı inceleyin.

Tüm sabitleyicileri ve başlıkları iyice sıkın ve tüm eksik

veya zarar görmüş parçalar değiştirilene kadar bu ürünü kullanmayın. Yardım için lütfen Greenworks müşteri hizmetlerini arayın.

Plastik parçaları temizlerken çözücü kullanmaktan kaçınin. Plastik parçaların büyük bölümü çeşitli tipte ticari çözücülerden kaynaklı hasara duyarlıdır ve kullanılmaları nedeniyle zarar görebilir. Kiri, tozu, yağı, gresi vb. gidermek için temiz bez kullanın.

⚠ UYARI

Hasar ve tehlike riskini azaltmak için aleti asla basınçlı yıkayıcı ile veya akan suyun altında yıkamayın.

⚠ UYARI

Sadece kapalı mekanlarda depolayın. Aleti temizlerken veya depolayacağınız zaman çim biçme makinesi ve şarj cihazından aküyü çıkarın.

⚠ UYARI

Fren sıvılarının, benzinin, petrol bazlı ürünlerin, nüfuz edici yağın vb. hiçbir zaman plastik parçalarla temas etmesine izin vermeyin. Kimyasal maddeler plastik parçalara zarar verebilir, zayıflatabilir veya yok edebilir ve ciddi fiziksel yaralanma ile sonuçlanabilir.

Çim biçme makinesinin güvenli şekilde kullanıldığından emin olmak için tüm somunların ve civataların doğru şekilde sıkıldığını periyodik olarak kontrol edin.

Çim biçme makinesini kuru bir bezle ara sıra silerek temizleyin. Su kullanmayın.

YAĞLAMA

Bu üründeki tüm yataklar normal kullanım koşulları altında ünitenin ömrü boyunca yeterli miktarda yüksek derece yağlayıcı ile yağlanmıştır. Bu nedenle yatakların yağlanması gerekmez.

⚠ UYARI

Tekerlek bileşenlerini yağlamayın. Yağlama tekerlek bileşenlerinin kullanım sırasında arızalanmasına yol açarak kullanıcıda ciddi fiziksel yaralanmaya ve/veya çim biçme makinesinin veya mallarınızın zarar görmesine neden olabilir.

KESME BİÇAĞININ DEĞİŞTİRİLMESİ

Bakınız şekil 11-12.

Türkçe (Orijinal talimatlar)

NOT: Sadece izin verilen yedek bıçakları kullanın. Dengeyi korumak için aşınmış veya hasarlı bıçakları ve civataları takım olarak değiştirin.

- Motoru durdurun ve akü anahtarını çıkartın. Bıçağın tamamen durmasını bekleyin.
- Akü takımını çıkartın.
- Çim biçme makinesini yan tarafı üzerine döndürün.
- Bıçağın dönmelerini önlemek için bıçak ve çim biçme makinesinin tabanı arasına bir tahta takoz yerleştirin.
- Bıçak civatasını 27 mm'lik bir anahtar veya lokma anahtarı (ürünle birlikte verilmez) yardımıyla (çim biçme makinesinin altından görüldüğü şekilde) saat yönünün tersine doğru çevirerek gevşetin.
- Bıçak civatasını ve bıçağı çıkartın.
- Yeni bıçağı mil üzerine takın. Bıçağın bıçak mili orta bıçak deliğinden geçerek yerine doğru şekilde oturduğundan ve fan üzerindeki iki bıçak direğinin bıçak üzerindeki ilgili deliklerine geçtiğinden emin olun. Eğri uçların yeri değil çim biçme makinesinin tabanını gösterecek şekilde takıldığından emin olun. Bıçak yerine doğru şekilde oturduğunda fana paralel olmalıdır.
- Bıçak civatasını mil üzerine takın ve elinizle sıkın.
- Civatanın doğru şekilde sıkıldığından emin olmak için bir tork anahtarı kullanarak (ürünle birlikte verilmez) bıçak civatasına saat yönünde aşağı doğru tork uygulayın. Önerilen bıçak civatası torku 62,5~71,5 kgfcm'dir (350-400 inç-lb.).

ÇEVRESEL KORUMA

- Makineyi kullanırken çevresel koruma, hem sosyal birlikteliğimiz hem de içinde yaşadığımız çevrenin iyiliği için yüksek bir önceliğe sahip olmalıdır. Çevrenizdeki alana hiçbir rahatsızlık vermemeye çalışın.
- Ambalajın, kullanılamaz hale gelen parçaların veya çevreye etkisi büyük olan tüm öğelerin tasfiyesi konusunda yerel yönetmeliklere dikkatlice uyun; bu atık normal ev çöprü ile birlikte atılmamalıdır, ayrıştırılmalı ve materyalin geri dönüştürüleceği belirlenen atık tasfiye merkezlerine götürülmelidir.
- Çim biçme işleminden oluşan atık materyallerin tasfiyesi için yerel yönetmeliklere dikkatlice uyun.
- Kullanıma son vereceğiniz zaman çevreyi makine ile kirliletmeyin, yürürlükte olan yerel kanunlara uygun olarak bir tasfiye merkezine teslim edin.

Türkçe (Orijinal talimatlar)


SORUN GİDERME

Çözüm	Olası nedeni	Çözüm
Kulp yerinde değil.	Taşıyıcı civatalar yerine doğru şekilde oturmuyor.	Kulbun yüksekliğini ayarlayın ve taşıyıcı civataların yerine doğru şekilde oturduğundan emin olun.
Çim biçme makinesi çalışmıyor	Akünün şarjı düşük.	Aküyü şarj edin.
	Akü çalışmıyor veya şarj olmuyor.	Aküyü değiştirin.
	Batarya anahtarı takılı değil.	Batarya anahtarını takın.
Çim biçme makinesi çimleri dengesiz şekilde biçiyor.	Çim kaba veya dengesiz veya kesme yüksekliği doğru şekilde ayarlanmamış.	Tekerlekleri daha yüksek bir konuma getirin. Tüm tekerlekler çim biçme makinesinin eşit seviyede kesim yapması için aynı kesme yüksekliğinde olmalıdır.
Çim biçme makinesi doğru şekilde malçlama yapmıyor.	Islak çim kırıntıları tabanın altına yapışıyor.	Çimleri biçmeden önce çimler kuruyana kadar bekleyin.
Çim biçme makinesi zor itiliyor.	Uzun çim, çim biçme makinesi gövdesinin arkası ve bıçak ağır çimde sürükleniyor veya kesme yüksekliği çok düşük.	Kesme yüksekliğini artırın.
Çim biçme makinesi doğru şekilde torbalama yapmıyor.	Kesme yüksekliği ayarı çok düşük.	Kesme yüksekliğini artırın.
Çim biçme makinesi yüksek hızda titriyor.	Bıçak dengesiz, aşırı veya dengesiz şekilde aşınmış.	Bıçağı değiştirin.
	Motor mili bükülmüş.	Motoru durdurun, izolatör anahtarı ve aküyü çıkartın, güç kaynağını ayırın ve hasara karşı inceleyin. Yeniden çalıştırmadan önce yetkili bir servis merkezine onartın.
Kesim sırasında motor duruyor.	Kesme yüksekliği ayarı çok düşük.	Kesme yüksekliğini artırın.
	Akü tükenmiş.	Aküyü şarj edin.

Eğer bu çözümler sorununuzu çözmezse yetkili servis bayinizi arayın.

תוירוקמ תוארוה) תירבע

מיטרפמ

אשד תחסכמ	2502907
חוסײכה בחור	מ"ס 46
חוסײכה הבוג	מ"מ 80 - מ"מ 25
סמוע אלל תורײמה	ד"לס 2800
מהירות בהנהגה עצמית	0.5-1.5 m/s
שער ןחל תמצוע	LpA :73dB(A), K:3.0
שער תמצוע	LwA :85.5dB(A)
תויברמ תודיער	עוביירב היינש'מ/מ <2.5, K=1.5
אשדה תבית תלוביק	רטיל 52
וטנ לקשמ	ג"ק 28
יפולח בהל	2920407
הללוס	ןוין-פויתיל
מגד רפסמ	2918307 / 2918407
תוללוס ןעטמ	
מגד רפסמ	2918507
לופכ דוידײ לעב הנבמ	

רואית

- הלעפה תידי.
- עונמ תרקב לבכ.
- הלעפה גתמ.
- הנילע תידי.
- הנותחת תידי.
- הבוג ןונוכל תידי.
- הללוס תלד.
- ימדק לגלג.
- ירוחא לגלג.
- אשד תבית.
- תפרוצמ אל) הללוס.
- תידי רותפכ.
- רותפכ.
- גרוב.
- אשדה תבית תידי.
- תירוחא תלד.
- ירוחא הטיילפ חתפ.
- תלד טומ.
- סיוו.

- בהל.
- עונמה ריז.
- ררוואמ.
- בהל גרוב.
- בהל ידומע.
- הללוסה רורחשל ןצחל.
- קוסיור תדיחי.
- תידצ הטיילפ טיסמ.
- תידצ הטיילפ תלד.
- פרוצמ אל) ןע קולב.
- פרוצמ אל) חתפמ.
- הללוסה חתפמ.
- תימצע הענהל תידי.
- תימצע הענהל תורײמה תורקב.

הרהזא

וא תולמשחתה, הפרשל סורגל לולע תורחא תוללוס שומיש העיצפ.

אשדה תחסכמ תא רכה

1. רויא האר.

יירדמבו ילכה לעש עדימה לש הנבה בייחמ הז רצומב חוטב שומיש ינפל. עצבל ןווכתמ התאש טקיורפה לש הרכה מג ומכ, הז שמתשמל תוחיטבה יללכו שומישה תונוכת לכ תא רכה, הז רצומב שומיש

דמ הללוס

הללוס הרתונש הניעטה תומכ תא דדמו הללוסה דמ.

אשד תבית

האשדמה לע טלפיהל ונממ תענומו מזגנש אשד תפסוא אשדה תבית חסכמ התאשכ.

הבוג ןונוכל תידי

חוסײכה הבוג ןונוכל תשמשמ הבוגה ןונוכל תידיה.

עונמ תרקב לבכ

בלשמ, תחסכמה לש הנילעה תידיב מקוממה, עונמה תרקבל לכה בהלהו עונמה תא קתנמו.

קוסיור תדיחי

ירוחאה הטיילפה חתפ תא הסכמש קוסיור תדיחיב תדיצמ תחסכמה לדוג תא יטקהל רכבו בוש רותחלו רותחל תחסכמה בהלל תרשאמא, מזגנש אשדה.

תידצ הטיילפ טיסמ

קוסיורל ידמ הובג אשדהשכ תחסכמב תידיצ הטיילפ טיסמב שמתשה תעב תורצונש אשדה תוסיפ. דצהמ טלפ"י אוהש פידעמ התאשכ וא תעב תוקיפומה ולאמ תיתועמשמ תולודג תידיצ הטיילפ טיסמב שומיש תידיצה קוסיורה תיחולו קוסיורה תדיחיב שומיש.

תירוקמ תוארוה) תירבע

תידצ הטילפ תלד

רשפאמה, ידצה הטילפה חתפ תא הסכמש תלדב תדיוצמ תחסכמה תונטק תוסיפ תלבקל בושו בוש אשדה תא זותחל תחסכמה בהלל קשל אשדה תוסיפ תא חולשל וא תבלושמ קוסיירה תדיחי אמ רתני ףוסיאה.

לולכמה תאצוה

הזיראהמ

הז רצומ ביכרהל שי

- לכש אדו. הספוקהמ מירזיבאהו רצומה תא תוריהזב אצוה. הספוקב מיאצמנ הלוכתה תמישרב מעיפומה מיטירפה

הרהזא

הלוכתה תמישרב מהשלכ מיקלח מא הז רצומב שמתשת לא ונרציה. הספוקהמ ותוא איצומ התאשכ רצומה לע רכב מיבכרומ תושעל חוקלה לע, רצומה לע המישרב מיקלחה תא ביכרמ אל השק העיצפל מורגל לולע הכלה בכרוה אלש רצומב ושמיש. תאז.

- מיקזנ וא מירשב ומרגנ אלש אדוול ידכ רצומה תא בטיה קודב עונישה קלהמב.
- רצומה תא בטיה קודבתש דע הזיראה ירמוח תא קילשת לא וב שמתשתו.
- לש תורישה זכרמל הנפ, מירסח וא מימוגפ מיקלח מא Greenworks Tools עויס תלבקל

הלוכת תמישר

- אשד תחסכמ
- הללוסה חתפמ
- אשד תבית
- קוסייר תדיחי
- תידצ הטילפל טיסימ
- שמתשמל קירדמ
- כפתורים
- ברגים

הרהזא

דע רצומב שמתשת לא, מירסח וא מימוגפ מהשלכ מיקלח מא מירסח וא מימוגפ מיקלח מע רצומב שומיש. מיקלחה תפחלהל השק העיצפל מורגל לולע

הרהזא

וצלמוה אלש מירזיבא רוציל או רצומה תא תונשל הסנת לא הערל שומישל בשחנ הזכש יוניש לכ. הזה רצומה מע שומישל השק העיצפל ליבוהלו מינכוסמ מיאנת רוציל לולעו

הרהזא

נוכמ התאש דעו הבכרה מוסיל דע הללוסה חתפמ תא סינכת לא יתלב הלעפהל מורגל לולע תוארוהל תועמשה-יא. חוסייב ליחתהל השק העיצפלו תנווכמ

הרהזא

דימת רסה, העיצפל מורגל הלולעש תנווכמ יתלב הלעפה תעינמל מיקלח תבכרה תעב רצומהמ הללוסה תא

הרהזא

מימיתמה תוחיטבה ינקתה מא תחסכמ מולעל שמתשת לא ינקתה מע תחסכמ מולעל שמתשת לא. מיניקתו ממוקמב מניא לולע מירסח או מימוגפ מיקלח מע רצומב שומיש. מימוגפ תוחיטב השק העיצפל מורגל

הנותחתה תידיה לש ונווכו החיתק

האר 2. רויא

- ידכ מידדצה ינשב 90°-ב ותוא בבווס תידיה רותפק תא קושמ מידדצה ינשב תונותחתה תידיה תא ררחשל
- וא היבגהל ותינו. הלעפה בצמל תונותחתה תידיה תא זזה מינוש מיבצמ השולש מימייק. קתוחו יפל תידיה תא קיימנהל הנותחתה תידיה תא לועגל ידכ תידיה ירותפקמ הפרה. היחבל בצמב

הנוכנ הבכרה משל בצמ ותואב מירדגומ מידדצה ינשב אדו: הרעה

הנוילעה תידיה תנקתה

האר 3. רויא

- סנכה. הנותחתה תידיבו הנוילעה תידיב הנקתהה ירוח תא מאתה הלועפה לע רוחז. מתוא קדהל ידכ מירותפקב שמתשהו מיגרבה תא דצב. רחאה

אשדה תבית תנקתה

האר 4. רויא

- תירוחאה הטילפה תלד תא מרה
- הטילפה תלדל תחתמ חנהו תידיב אשדה דכול תא מרה. תלדה טומ לע וחוני אשדה דכולב מיווהש רכ תירוחאה
- הכלהק ונקתומ אשדה דכולשכ. תירוחאה הטילפה תלדמ הפרה. תירוחאה הטילפה תלדב מיחתפה קרד מירבוע ולש מיווה

קוסיירה תדיחי תנקתה

האר 5. רויא

- מרומ בצמב התוא קזחורו תירוחאה הטילפה תלד תא מרה
- צאומכ, תיווזב טעמ התוא סנכהו תידיב קוסיירה תדיחיב זוחא
- המינפ ףוסה דע קוסיירה תדיחי תא ףוחד
- תירוחאה הטילפה תלד תא רוגס

תורוקמ תוארוה) תירבע

תידצ הטיילפל טיסימה תנקטה

6 רויא האר

- תבית תא רבחת לא, תינצ הטיילפל טיסימב שומיש תעב: הרעה | תרבוחמ קוסיירה תדיחי תא ראשה. אשדה
- תינצה הטיילפה תלד תא פרה
- לש ונתחתה קלחב טומה ריצל טיסימה לעש פיווה תא סאתה תלדה
- תלד לש ריצה טומ לע פילעננ פיווהש דע טיסימה תא רמנה קוסיירה
- תינצה הטיילפה תלדמו טיסימהמ הפרה

בהלה הבוג תנרדגה

7 רויא האר

רתויב רומנה חוסיכה הבוגל מירדגומ תחסכמה ילגלג, עונישה תעב הבוגל חוסיכה הבוג תא ננוכ, תחסכמב ונשארה שומישה ינפל 38 יב תויהל רומא עצוממה אשדה ררוא. האשדמל רתויב מיאתמה 51-ל-1 מימחה מישדוחב מ"מ 10-7 ו-51 יבו פירקה מישדוחב מ"מ 51-ל-1

בהלה הבוג ונווכ

- ונויכל התוא זזהו הבוגה ונווכל תידיב זוחא, בהלה תהבגה | תחסכמה לש ירוחאה קלחה
- ונויכל התוא זזהו הבוגה ונווכל תידיב זוחא, בהלה תכמנה | תחסכמה לש ימדקה קלחה

הלעפה

⚠ הרהזא

יריבשש רוכז. מירצומה תא ריכמ התאש ונויכמ קר ונאש היהת לא השק העיצפל מורגל ידכ קיפסמ תוריהז רסוח לש היינש

⚠ הרהזא

מורגל לולע רבדה, וכ השעת אל מא. וגמ יפקשמ דימת בכרה השק העיצפלו מייניעל מימצע לש תופפועתהל

⚠ הרהזא

רובע מהילע פילמה אל ורציהש מיריזיבו תופסותב שמתשת לא מהילע פילמה אל ורציהש מיריזיבאב ו תופסותב שומיש. הז רצומ מהילע העיצפב מייטסהל לולע

⚠ הרהזא

קזנו מימוגפ או מירסח מיקלח שפחו תחסכמה תא דימת קודב רצומב שומיש. שומישה ינפל בהלב תמזגומ הקיחש או וזיזא רזוח השק העיצפל מורגל לולע מירסח ו מימוגפ מיקלח מע

- וכ מא אלא עונמה תלעפה תעב אשדה תחסכמ תא הטת לא | רתויב התוא הטת לא, הזכ הרקמב. הלעפה משל התוטהל שי

ליעפמהמ קחורמה קלחה תא קר הבגהו וחוניהמ

- הטיילפה בזרמ ינפל דמוע התאשכ עונמה תא ליעפת לא
 - מיקלחל תחתמ או דיל מייילגר תופכ או מיידי חינת לא | הטיילפה חתפמ דימת קהרתה. מיבבותסמה
- תוללוסה לש שמתשמל פירדמב וייע, האלמ הניעטל תוארוהל טרפמב וניוצש מינעטמהו

הללוסה תסנכה

8 רויא האר

- מרומ בצמב התוא קזחהו הללוסה תלד תא פרה
- תחסכמה לש הללוסה חתפל הללוסה תא סאתה
- תבשויו הללוסהשו ומוקמב לעננ הללוסה לש רורחשה ספתש אדו | שומישה תליחת ינפל תחסכמב הלוענו בטיה
- הללוסה חתפמ תא סנכה
- חתפמ תא סינכת לא, הנוכמב דימ שמתשהל רתנווכב ויא מא | הללוסה
- תלדה תא רוגס

הללוסה תאצוה

8 רויא האר

- רצומה תא תובכל ידכ מיגתמה תבית תידימי הפרה
- הללוסה אתל השיגל הללוסה תלד תא חתפ
- הללוסה חתפמ תא אצוה
- טעמ היבגת וז הלועפ. תחסכמב הללוסה רורחשל וצחלה לע וצחל | ילכל וצחמ לא הללוסה תא
- רצוממה הללוסה תא אצוה

תחסכמה לש יוביכ/הלעפה

9 רויא האר

- תוחיטבה תליענ וצחל לע תכשומוה הצחל וצחל
- תא ליעפהל ידכ תידיה ונויכל הלעמל הלעפה תידי תא ורשמ | תוחיטבה תליענ וצחלמ הפרוה תחסכמה
- הלעפה תידימי הפרה, תחסכמה תא תובכל ידכ | עונמהשכ תואריהל מילוע תוצוצינו עמשיהל ישוע הובג לילצ: הרעה | תילרמונו העפות יוהז. טאמ ילמשה

תימצע הענהה חוסיכ

9 רויא האר

תימצעה הענהה תנוכת בולייש

- הללוסה תלד תא חתפ
- חתפמה תא סנכה
- הללוסה חתפמ תא סנכה
- תידיל עיגתש דע הלעמל תימצעה הענהה תידי תא ורשמ

תימצעה הענהה תנוכת קוטיני

- תימצעה הענהה תידימי הפרה

תוריקמ תוארה תירבע

תימצעה הענהה תנוכת לש תוריהמה ונווכ

- ריבגהל ידכ נבראה למס יפלכ הנתשמה תוריהמה תידי תא קושמ תוריהמה תא.
- רימנהל ידכ בצה למס יפלכ הנתשמה תוריהמה תידי תא קושמ תוריהמה תא.

חוסילכ תוצע

- מירחא מימצע או מיטוח, תולקמ, מינבאמ הייקנ האשדמהש אדו חסכת לא. תחסכמה לש עונמל או מיבהלל קיזהל מילולעש מימצע קורזל הלולע תחסכמה. תכתמ יזומע או תודתיל לעמ ליעמל השק העיצפל מורגלו מינויכה לכב יארקא נוסבא הלאכ מירחאלו.
- וכראמ תוחפ או שילש דימת חסכ, האשדמה לש התואירב ועמל אשדה לש ללוכה.
- נחלוש לש ונתחתה דצל קבדי אוהש נויכמ בוטר אשד חסכת לא וקוסי'ר תאו אשדה פוסי'א תא ששביו חוסי'כה.
- רתוי הובג או רתוי רצו רותיח בייחל יושע הבע או שדח אשד.
- ידכ שומיש לכ רחאל תחסכמה נחלוש לש ונתחתה קלחה תא הקנ ורבטצהש תורחא תייראש לכו רולכל, מילע, אשד תוסי'פ ריטהל.
- רשפאל ידכ הכילהה תוריהמה תא טאה, קורא אשד חוסי'כ תעב ורותחה אשדה לש הבוט הטי'לפו רתוי ליעי חוסי'כ.

אצוהו ויטולחל רוצעל מיבהלל חנה, תחסכמה תא דימת הבכ: הרעה תחסכמה לש ונתחתה קלחה יוקיני ניפל הללוסה חתפמ תא

עופישב הדובע

⚠ הרהזא

תולולעש הליפנו הקלחה תנואתל יריקעי מרוג מה מיעופיש הרתי תוריהז תבייחמ מיעופישה הדובע. השק העיצפב מייתסהל הסנת לא, רתוחיטל. וב חסכת לא, עופישב חונב שח אל התא מא. תולעמ 15-10 מילודג מיעופיש חסכל.

⚠ הרהזא

תוריהמב המצע תא עינהל תחסכמל חנה, עופישב דיל חוסי'כ תעב הכונמ.

- דואמ רהזיה. הטמלו הלעמל אל מלועל, מיעופיש בחורל חסכ מיעופישב נוי'כ יוניש לעב.
- תוטי'לב או מירתסנ מימצע, מיע'לס, מימלת, תורובמ רהזיה ריתסהל לולע הובג אשד. הדיעמ או הקלחהל מורגל מילולעש הלאה וכו מ'פנע, מיע'לס ונגכ מימצעה לכ תא רסה. מילושכמ תנוא פיעהל מילולע מיבהלהש או מהילע דועמל לולע הצאש.
- מורגל מילולע הליפנו הקלחה. לגרה ר'רדמ לע דימת דפקה לקשמה יוויש תא דבאמ התאש שח התא מא. השק העיצפל הלעפהה תידימ דימ הפרה.
- לולע התא; מ'מי יווקמ תודג או תולעמ, מ'קוצמ דיל חסכת לא לקשמה יוויש תא או לגרה ר'רדמ תא דבאל.

אשדה תבית ווקיר

10 רוי'א האר

- תא אצוהו ויטולחל רוצעל מיבהלל חנה, תחסכמה תא הבכ הללוסה חתפמ.
- תיורוחאה תלדה תא מרה.
- הריסהל ידכ הלש תידיה תועמצאב אשדה תבית תא מרה תחסכמה.
- רותחה אשדה תא וקור.
- יפכ בשעה תבית תא הרחב רבחו תירוחאה תלדה תא מרה. ה'ז ר'ירדמב רתוי מדקומ ראותש.

הקוזחת

⚠ הרהזא

תחסכמה תללוס תא איצוהל דפקה, הקוזחת תולועפ עוציב ניפל השק העיצפו תיירקא הלעפה עונמל ידכ הללוסה חתפמו.

⚠ הרהזא

תחסכמ, השרומ יתלב שומיש או תנוכמ יתלב הלעפה תעינמל ידכ. הפילשל ו'תינה תוחיטב חתפמב תדיוצמ לכב אלל אשדה תוחיטבה חתפמ תא איצוהל ש'י, ויטולחל תחסכמה תא תיבשהל מ'ידי'ל לש מ'די גשיהל ק'וחמו תחסכמהה ק'חרה וק'יזחהלו.

⚠ הרהזא

מ'קלחב שומיש. ורשואש פול'יח יקלחב קר שמתשה, לופיט תעב ק'זנ או ו'ניס רצוי מירחא.

⚠ הרהזא

י'דמ בר ז'ירג או מ'ילע, אשדמ מ'ייקנ הללוסה אתו עונמה לע רומש. ה'פרשל הנכסה תא ו'נטקה'ל ע'ייסי רבדה.

תיללכ הקוזחת

מירסח מ'יחישק, מ'יק'זנ שפחו ול'זכ רצומה תא קודב, שומיש לכ ניפל האלה ו'כו מ'יסכמ, מ'ימוא, מ'גירב נוגכ, מ'ייפר או.

דע רצומה תא ליעפת לאו מ'יסכמהו מ'יחישקה לכ תא בטיה קדה תורישל הנפ, הרזעל. מ'ימוגפה או מ'ירסחה מ'יחישקה לכ תפלחהל תעב מ'יסממב שומישמ ענמיה. Greeworks Tools לש תוחוקלה מ'ינוש מ'יגוסמ ק'זניהל מ'ילולע ק'יטסלפה יקלח בור. ק'יטסלפ יקלח ו'קיני ק'בא, ר'ולכל תרסהל תויקנ תוילטמב שמתשה. מ'יירחסמ מ'יסממ לש האלה ו'כו ז'ירג, נ'מש.

⚠ הרהזא

י'דמ בר ז'ירג או מ'ילע, אשדמ מ'ייקנ הללוסה אתו עונמה לע רומש. ה'פרשל הנכסה תא ו'נטקה'ל ע'ייסי רבדה.

תוריקמ תוארוה) תירבע

הרהזא

ידמ בר זירג וא סילע, אשדמ סייקנ הללוסה אתו עונמה לע רומש הפרשל הנכסה תאן טיקהל עייסי רבדה.

הרהזא

טפנ סיסב לע מירצומ, קלד, מימלב לזונל מעפ פא חינת לא מילקימי. קיטסלפה יקלחב תעגל האלה וכו מיינרדוח סינמש לולע רבדהו קיטסלפ יקלח סורהל וא שילחהל, קיזהל סילולע השק העיצפל מורגל.

חיטבהל ידכ הכלכה סיקודה מיגרבהו סימואה לכש תיתפוקת קודב תחסכמב חוטב שומיש

םימב שמתשת לא. השבי תילטמב תחסכמה תאע סעפ ידמ בגנ

זוריג

קיפסמש הוובג תוכיבא זירגב מיזרוגמ הז רוצמב מיבסמה לכ לש פיסונ זוריגב רוצ יא, וכל. מיליגר שומיש יאנתב וייח קשמ לכל מיבסמה.

הרהזא

תופש תפיטע ו/או תובע תופכ תועצמאב סיידיה לע דימת וגה ותקוזחת תעב מירחא מירמוחו סייטטרמסב בהלה לש קותיחה השק העיצפל מורגל לולע בהלה מע עגמ.

הרהזא

מילגלה יביכרל מורגל לולע זוריג. מילגלה יביכר תא זרגת לא השק העיצפל מורגל לולע רבד, שומישה ידכ וות לקלקתהל שוכרל וא תחסכמל קנזל ו/או ליעפמל.

רתיח בהל תפלחה

12 - 11 רוזיא האר

מיגרבו מיבהל פלחה. ורשואש מייפולח מיבהלב קר שמתשה: הרעה נוזיאה לע רומשל ידכ מיטסב מימוגפ וא מיקוחש

- רוצעל בהלל חנה. הללוסה חתפמ תא אצוה עונמה תא הבכ ויטולחל.
- הללוסה תא אצוה.
- הדע לע תחסכמה תא רופה.
- בהלה עונמל ידכ תחסכמה ונלושל בהלה יב עע קולב עקת בבבותסלה.
- גצומכ) נועשה ונויכ דגנ ובוביס ידי לע בהלה גרוב תא ררחש

עיב חתפמ וא חתפמ תועצמאב (תחסכמה לש ונתחתה קלחהמ 27 (פרוצמ אל) מ"מ רסה.

- בהלה תאו בהלה גרוב תא רסה.
- ריצהשכ בטיה בשוי בהלהש אדו. ריצה לע שדחה בהלה תא חנה מיסנכמו חופמב בהלה ידומע ינששו זכרמבש רוחה ררד רבוע תווצקהשכ וקתומו בהלהש אדו. בהלב סהלש מימיאתמה מירוחל הטמל אלו תחסכמה ונלוש ונויכל הלעמ יפלכ מייעיצמ מילקועמה חופמל דומצ תויהל וילע, בטיה בשוי בהלהשכ. עקקה יפלכ
- דיב קדוה ריצה לע בהלה גרוב תא גרבה.
- אל) טנומו חתפמ תועצמאב ונעשה ונויכב בהלה גרוב תא קדה (פרוצמ ילמומה טנומה). הכלכה קדומה גרובהש חיטבהל ידכ (פרוצמ 62.5 - 71.5 מ"ס/חוכ ג"ק אוה בהל

היבסא לע הנגה

- שומיש תעב הנושאר תופידעב תויהל הכירצ היבסא לע הנגהה 10n. מייח ונא הבש היבסוה יתרבחה מייק-ודה תבוטל, הנוכמב רביבסז רוזאל עירפהל אל
- הזירא ירמוח לש הכלשהל תוימוקמה תונקתל בר קיידב עמשיה קילשהל יא; היבסב עוגפל סילולעש הלאכ וא מיקוחש סיקלח דחוימ זכרמל הריבעהלו הדירפהל אלא הליגר הפשאכ זז הפשא רזוחימל.
- מירמוח לש הכלשהל עגונב תוימוקמה תונקתל בר קיידב עמשיה חוסיכה רחאל מישמושמ.
- התוא רוסמ אלא היבסא תא מהזת לא, הנוכמה תכלשה תעב תוימוקמה תונקתל סאתבה רזוחימל זכרמל

תירוקמ תוארוה) תירבע


תויעב ונורתפ

היעבה	תירשפא הביס	ונורתפה
המוקמב אל תידיה.	הכלהכ מיבשוי אל מיגרבה.	מיבשוי מיגרבהש אדוו תידיה הבוג תא נמוכ הכלהכ.
תלעפומ אל תחסכמה	הכומנ הללוסה תניעט.	הללוסה תא נעט.
	נתינ אלש וא הללוסב שמתשהל נתינ אל התוא וועטל.	הללוסה תא פלחה.
	מפתח הסוללה לא מוכנס.	הכנס את מפתח הסוללה.
דיחא יתלב נפואב אשד תכתוח תחסכמה	הבוגש וא הרשי אל וא השק האשדמה הכלהכ רדגומ אל חוסיכה	שי רתוי הובג בצמל מילגלה תא זזה חוסיכ הבוג ותואב מילגלה לכ תא רידגהל דיחא נפואב חסכת תחסכמהש ידכ
הכלהכ אשדה תא תקסרמ אל תחסכמה	לש ונתחתה קלחל תוקבדנ בוטר אשד תוסיפ תחסכמה נחלוש	ליחתתש ינפל שבייתי אשדש דע נתמה חוסיכב
תחסכמה תא פוחדל השק	תחסכמה תיב לש ירוחאה קלחה, הובג אשד חוסיכה הבוגש וא דבכ אשדב מיררגנ בהלהו ידמ רומנ	חוסיכה הבוג תא הבגה
הכלהכ אשדה תא תפסוא אל תחסכמה	ידמ רומנ חוסיכה הבוג	חוסיכה הבוג תא הבגה
ההובג תוריהמב תדעור תחסכמה	וא הדימה לע רתי קוחש, נזואמ אל בהלה דיחא יתלב נפואב	בהלה תא פלחה
	מוקע עונמה ריצ	דודיבה חתמ תא אצוה, עונמה תא הבכ וקת קזנ שפחו למשחה תקפסא תא קתנ התלעפה ינפל השרומ תוריש זכרמב התוא שדחמ
חוסיכה ידכ וות הבכנ עונמה	ידמ רומנ חוסיכה הבוג	חוסיכה הבוג תא הבגה
	הקיר הללוסה	הללוסה תא נעט

השרומ תוריש נכוסל הנפ, היעבה תא מירתופ אל ולא תונורתפ סא

Lietuviškai (Originalių instrukcijų vertimas)

TECHNINĖS SĄLYGOS

Žoliapjovė	2502907
Pjovimo plotis	46 cm
Pjovimo aukštis	25 mm - 80 mm
Greitis be apkrovimo	2800 rpm
Savieigis greitis	0.5-1.5 m/s
Akustinis lygis	LpA :73 dB(A), K:3.0
Išmatuotas akustinis lygis	LwA :85.5 dB(A)
Vibracijos lygis	<2.5 m/s ² , K=1.5
Žolės surinkimo dėžės talpa	52 L
Neto svoris	28 kg
Atsarginis peilis	2920407
Baterija	Ličio-jonų
Modelio numeris	2918307 / 2918407
Akumulatoriaus įkroviklis	
Modelio numeris	2918507
Dvigubo izoliavimo konstrukcija	

PAVAIZDAVIMAS

- Užvedimo rankenėlė
- Variklio valdymo droselis
- Paleidimo mygtukas
- Viršutinė rankenėlė
- Nuleiskite rankeną
- Aukščio lygio reguliatorius
- Akumulatoriaus dangtelis
- Priekinis ratukas
- Galinis ratukas
- Žolės surinkimo dėžė
- Baterija
- Rankenos rankenėlė
- Rankenėlė
- Varžtai
- Žolės surinkimo dėžės rankena
- Galinės dūrelės
- Galinio išmetimo anga
- Dūrelių strypas

- Kabliukai
- Geležtė
- Variklio ašis
- Ventiliatorius
- Geležtės varžtas
- Geležtės statramsčiai
- Akumulatoriaus atpalaidavimo mygtukas
- Mulčiavimo kištukas
- Šoninis išmetimo kreiptuvais
- Šoninės išmetimo dūrelės
- Medienos trinka (nepriedama)
- Veržliaraktis (nepriedama)
- Akumulatoriaus raktas
- Savos eigos svirtis
- Savos eigos greičio valdikliai

ĮSPĖJIMAS

Kitokių akumuliatorių naudojimas gali sukelti gaisrą, elektros smūgį ar sužeidimus.

PAŽINKITE SAVO ŽOLIAPJOVĘ

Žr. 1 pav.

Norėdami saugiai naudotis šiuo prietaisu, turite suprasti ir žinoti visą su juo susijusią informaciją, o taip pat ir apie numatomą atlikti darbą. Prieš atlikdami darbą, susipažinkite su visomis eksploatacinėmis savybėmis ir saugumo taisyklėmis.

AKUMULATORIAUS MATUOKLIS

Akumulatoriaus matuoklis matuoja likusią akumulatoriaus įkrovą.

ŽOLĖS SURINKIMO DĖŽĖ

Žolės surinkimo dėžė surenka žolės nuopjovas ir apsaugo, kad jos nebūtų išmėtytos po pievą jums pjaunant.

AUKŠČIO LYGIO REGULIATORIUS

Aukščio nustatymo rankenėlė reguliuojamas pjovimo aukštis.

VARIKLIO VALDYMO DROSELIS

Variklio valdymo droseliu, esančiu ant viršutinės žoliapjovės rankenos, įjungiamas ir išjungiamas variklis bei geležtės.

PERJUNGIMO RAKTAS

Perjungimo raktą reikia įkišti prieš paleidžiant šienapjovę.

Lietuviškai (Originalių instrukcijų vertimas)

MULČIAVIMO KIŠTUKAS

Šioje žoliapjovėje yra įrengtas mulčiavimo kištukas, kurias uždengia galinė išmetimo anga, dėl kurios žoliapjovės geležtė gali nupjauti ir susmulkinti nupjautą žolę į smulkesnes daleles.

ŠONINIS IŠMETIMO KREIPTUVAS

Naudokite šoninį žoliapjovės išmetimo kreiptuvą, kai žolė yra per aukšta mulčiavimui arba kai pageidaujate, kad žolė būtų išmesta pro šoną. Naudojant šoninį išmetimo kreiptuvą žolės nuopjovos susidaro žymiai didesnės nei ta žolė, kuri susmulkinama mulčiavimo įtaisais bei šonine mulčiavimo plokštele.

ŠONINĖS IŠMETIMO DURELĖS

Šioje žoliapjovėje yra įrengtos duralės, dengiančios šoninio išmetimo angą, dėl kurių žoliapjovės geležtės gali nupjauti ir susmulkinti žolę į smulkesnes daleles, jei yra prijungtas mulčiavimo kištukas; priešingu atveju, žolės nuopjovos nukreipiamos į surinkimo maišą.

- Vartotojo instrukcija
- Rankenos
- Varžtai

⚠ IŠPĖJIMAS

Nenaudokite prietaiso, jei trūksta detalių ar jos yra apgadintos tol, kol jos nebus pakeistos. Naudodamiesi prietaisu esant ne visoms ar apgadintoms detalėms, galite sunkiai susižeisti.

⚠ IŠPĖJIMAS

Nebandykite prietaiso modi kuoti ar kurti priedų, kurie nėra rekomenduojami naudoti su šiuo produktu. Bandymas jas keisti ar modi kuoti laikoma netinkamu naudojimui, galinčiu sukelti pavojingą situaciją ir jus rimtai sužeisti.

⚠ IŠPĖJIMAS

Akumulatoriaus raktą nekiškite tol, kol nesurinksite įrenginio ir nebūsate pasirengę pjauti. Priešingu atveju įrenginys gali atsitiktinai įsijungti ir stipriai sužaloti.

⚠ IŠPĖJIMAS

Tvirtindami detales, visada išimkite akumuliatorių iš prietaiso, kad prietaisas atsitiktinai neįsijungtų, nes tai galėtų jus sunkiai sužaloti.

⚠ IŠPĖJIMAS

Žoliapjovės niekada nenaudokite be pritvirtintų atitinkamų bei veikiančių saugos įtaisų. Niekada nedirbkite žoliapjovėje su sugadintomis apsaugos priemonėmis. Naudodamiesi prietaisu esant ne visoms ar apgadintoms detalėms, galite rimtai susižeisti.

APATINĖS RANKENOS ATLENKIMAS IR REGULIAVIMAS

Žr. 2 pav.

- Patraukite ir 90° kampu pasukite rankenos rankenėles abiejose pusėse, kad atlaisvintumėte apatinę rankeną abiejose pusėse.
- Atlenkite apatinę rankeną į darbinę padėtį. Galite pakelti rankeną aukščiau arba nuleisti žemiau į jums patogią padėtį. Galite rinktis iš 3 padėčių. Atleiskite rankenos rankenėles, kad apatinė rankena būtų užfiksuota pasirinktoje padėtyje.

PASTABA: surinkdami įsitikinkite, kad abiejose pusėse nustatyta ta pati padėtis.

SURINKIMAS

IŠPAKAVIMAS

Šį produktą būtina sumontuoti.

- Atsargiai išimkite įrankį ir jo priedus iš dėžės. Įsitikinkite, kad pakuotėje yra visos sąrašė pažymėtos detalės.

⚠ IŠPĖJIMAS

Nenaudokite šio įrankio, jei nors viena detalė iš pakuotės sąrašo jau yra pritvirtinta prie produkto, kai jį išpakuojate. Šiame sąrašė nurodytos detalės nėra pritvirtintos prie įrankio gamykloje bei jas turi sumontuoti vartotojas. Naudodamiesi netinkamai iš anksto sumontuotu prietaisu galite sunkiai susižeisti.

- Gerai patikrinkite prietaisą, ar pervežimo metu prietaisas nebuvo apgadintas ar sulaužytas.
- Neišmeskite pakuotės, kol neapžiūrėjote, ar prietaisas veikia patenkinamai.
- Jei trūksta detalių ar jos pažeistos, pagalbos kreipkitės į artimiausią „Greenworks tools“ aptarnavimo centrą.

PAKUOTĖS SĄRAŠAS

- Žoliapjovė
- Akumulatoriaus raktas
- Žolės surinkimo dėžė
- Mulčiavimo kištukas
- Šoninis išmetimo kreiptuvas

Lietuviškai (Originalių instrukcijų vertimas)

VIRŠUTINĖS RANKENOS MONTAVIMAS

Žr. 3 pav.

- Sutapdinkite viršutinės rankenos ir apatinės rankenos montavimo skyles. Įkiškite fiksavimo varžtus ir rankenėlėmis juos priveržkite. Tą patį padarykite ir kitoje pusėje.

ŽOLĖS SURINKIMO DĖŽĖS TVIRTINIMAS

Žr. 4 pav.

- Pakelkite galinio išmetimo angos dangtį.
- Pakelkite žolės gaudyklę už rankenos ir pakiškite po galinėmis išmetimo dūrelėmis taip, kad ant žolės gaudyklės esantys kabliukai užsikabintų ant dūrelių strypu.
- Paleiskite galines išmetimo dureses. Jeigu sumontuota teisingai, ant žolės gaudyklės esantys kabliukai bus išlindę pro angas galinėse išmetimo dūrelėse.

MULČIAVIMO KIŠTUKO TVIRTINIMAS

Žr. 5 pav.

- Pakelkite ir laikykite galines išmetimo dureses.
- Suimkite mulčiavimo kištuką už rankenėlės ir jį įkiškite lengvai pakreiptą kampu, kaip parodyta.
- Mulčiavimo kištuką įstumkite tvirtai į vietą.
- Nuleiskite galines išmetimo dureses.

ŠONINIO IŠMETIMO KREIPTUVO TVIRTINIMAS

Žr. 6 pav.

PASTABA: Jei naudojate šoninį išmetimo kreiptuvą, nepritvirtinkite žolės surinkimo dėžės. Mulčiavimo kištukas turi būti pritvirtintas.

- Pakelkite šoninės išmetimo dureses.
- Kreiptuvo kabliukus sulyginkite su įtvaro strypu, esančiu dūrelių apatiniame šone.
- Nuleiskite kreiptuvą tol, kol kabliukai bus už ksuoti mulčiavimo įtaiso dūrelių įtvaro strype.
- Atleiskite kreiptuvą ir šoninio išmetimo dureses.

GELEŽTĖS AUKŠČIO NUSTATYMAS

Žr. 7 pav.

Transportavimo metu žoliapjovės ratai nustatyti į žemo pjovimo padėtį. Prieš pirmą kartą naudojant žoliapjovę sureguliuokite pjovimo padėtį pagal jums tinkamiausią pievos aukštį. Vidutinė žolė turi būti nuo 38 mm iki 51 mm vėsiais metų mėnesiais ir nuo 51 mm iki 70 mm karštais metų mėnesiais.

Geležties aukščio nustatymas

- Norėdami geležties pakelti, suspauskite aukščio reguliatorių ir patraukite jį į žoliapjovės galą.

- Norėdami nuleisti geležtes, suspauskite aukščio reguliatorių ir patraukite jį į žoliapjovės priekį.

EKSPLOATAVIMAS

⚠ ĮSPĖJIMAS

Nors ir esate su prietaisu susipažinę, elkitės atsargiai. Atsiminkite, kad užtenka tik sekundės dalelytės

⚠ ĮSPĖJIMAS

Visada dėvėkite akių apsaugos priemones. Neužsidėjus, į jūsų akis gali patekti nuolaužų, kurios gali rimtai sužaloti.

⚠ ĮSPĖJIMAS

Su šiuo prietaisu nenaudokite jokių įtaisų ar priedų, kurių nerekomenduoja šio produkto gamintojai. Įtaisų ir priedų, kurių nerekomenduoja gamintojai, naudojimas gali sukelti rimtus su(s)žalojimus.

⚠ ĮSPĖJIMAS

Prieš naudojimą visada patikrinkite žoliapjovę, ar nėra trūkstamų ar pažeistų detalių, ar geležtė nepažeista, lygi ar per smarkiai nenusidėvėjusi. Naudodamiesi prietaisu esant ne visoms ar apgadintoms detalėms, galite sunkiai susižeisti.

- Žoliapjovės nepaverskite, kai užvedate variklį ar jį jungiate, išskyrus tuo atveju, jei žoliapjovę reikia pakreipti tam, kad ją užvestumėte. Tokiu atveju jo daugiau nekelkite nei nėra būtina ir kelkite tik nuo operatoriaus toliau esančią dalį.
- Nejunkite variklio stovėdami prieš išmetimo lataką.
- Rankų ar kojų nelaikykite šalia besisukančių detalių ar po jomis. Visada stovėkite toliau nuo išmetimo angos.

Visos įkrovimo instrukcijos pateikiamos Vartotojo instrukcijoje, skyrinyje apie baterijų paketus ir įkroviklius, Techninių reikalavimų dalyje.

AKUMULIATORIAUS TVIRTINIMAS

Žr. 8 pav.

- Pakelkite ir laikykite akumulatoriaus dangtelį.
- Nutaikykite akumulatorių į žoliapjovės akumulatoriaus lizdą.
- Prieš pradėdami darbą įsitinkinkite, kad akumulatoriaus atpalaidavimo mygtukas užsifiksavo savo vietoje ir akumulatorius iki galo tvirtai įstatytas į žoliapjovę.

Lietuviškai (Originalių instrukcijų vertimas)

- Įkiškite akumulatoriaus raktą.
- Jeigu neketinate iš karto naudoti įrenginio, akumulatoriaus raktą neikiškite
- Uždarykite dureles.

AKUMULATORIAUS IŠĖMIMAS

Žr. 8 pav.

- Atleiskite užvedimo rankenėle, jei norite prietaisą išjungti.
- Atidarykite akumulatoriaus dureles, kad prietumėte prie akumulatoriaus skyriaus.
- Ištraukite akumulatoriaus raktą.
- Paspauskite ant žoliapjovės akumulatoriaus atpalaidavimo mygtuką. Dėl to akumulatorius šiek tiek išlįs iš prietaiso.
- Išimkite žoliapjovės akumulatorių iš prietaiso.

ŽOLIAPJOVĖS ĮJUNGIMAS/IŠJUNGIMAS

Žr. 9 pav.

- Paspauskite ir laikykite saugos užrakinimo mygtuką.
- Patraukite maitinimo svirtelę į viršų rankenos link, kad vejapjovė pradėtų veikti, tada atleiskite saugos užrakinimo mygtuką.
- orėdami sustabdyti šienapjovę, atleiskite perjungimo valdymo svirtį.

PASTABA. Stojant elektriniam varikliui, gali girdėtis didelis garsas ir kibirkščiuoti. Tai normalu.

PJOVIMAS SAVA EIGA

Žr. 9 pav.

Kaip įjungti savos eigos funkciją:

- Atidarykite akumulatoriaus dureles.
- Įdėkite akumulatorių.
- Įkiškite akumulatoriaus raktą.
- Patraukite savos eigos svirtį aukštyn prie rankenos.

Kaip išjungti savos eigos funkciją:

- Atleiskite savos eigos svirtį.

Kaip reguliuoti savaeigės vejapjovės greitį:

- Patraukite greičio regulatoriaus svirtelę link kiško simbolio, kad padidintumėte greitį.
- Pastumkite greičio regulatoriaus svirtelę link vėžlio simbolio, kad sumažintumėte greitį.

PJOVIMO PATARIMAI

- Patikrinkite, ar ant žolės nėra akmenų, pagalių, laidų ir kitų objektų, galinčių sugadinti žoliapjovės geležtes ar variklį. Nepjunkite virš žemės baslių ar kitų metalinių

strypų. Tokius objektus žoliapjovė gali atsiktinai užkabinti ir mesti į bet kurią pusę bei sukelti rimtus sužalojimus operatoriumi ir kitiems asmenims.

- Norėdami išlaikyti sveiką žolę, visada nupjaukite 1/3 visos žolės ilgio ar mažiau.
- Nepjunkite šlapios žolės, ji įstrigs apatinėje dugno dalyje ir neleis tinkamai surinkti žolės arba išsivalyti nuo nuopjovų.
- Pjaunant naują ar tankią žolę gali reikėti pjauti siauresne vaga ar pjovimo aukštį didesnį.
- Po kiekvieno naudojimo išvalykite žoliapjovės dugno apačią nuo žolės likučių, lapų, purvo ir kitų susikaupusių liekanų.
- Pjaudami aukštą žolę sumažinkite ėjimo greitį. Taip pjovimas bus efektyvesnis ir geriau išsivalys nuopjovos.

PASTABA. Prieš valydami vejapjovės apačią, visada sustabdykite vejapjovę, palaukite, kol peilis visiškai sustos, ir ištraukite akumulatoriaus raktą.

DARBAS ANT ŠLAITO

⚠ ĮSPĖJIMAS

Šlaitai yra pagrindinis veiksny, kai galima paslysti ir nukristi ir kuris gali baigtis sunkiais sužalojimais. Dirbant ant šlaitų reikia būti itin atsargiems. Jei būdami ant šlaito jūs jaučiatės suvaržyti, ten žolės nepjunkite. Jūsų pačių saugumui nebandykite pjauti ant didesnio nei 15 laipsnių šlaito.

⚠ ĮSPĖJIMAS

Kai pjaunate judėdami šlaitu aukštyn, leiskite vejapjovei lėtai riedėti sava eiga.

- Pjunkite skersai šlaitu, niekada nepjunkite aukštyn ir žemyn. Būkite itin atsargūs ant šlaitų keisdami kryptį.
- Saugokitės duobių, provėžų, akmenų, paslėptų objektų ar nelygumų, kur gali te paslysti ar pargrįūti. Aukšta žolė gali kliūtis paslėpti. Pašalinkite visus objektus (akmenis, medžių šakas ir t. t.) už kurių galėtumėte suklupti ar kuriuos geležtės užkabintų ir išmestų.
- Visada atkreipkite dėmesį į stabilų stovėseną. Paslydus ir nukritus galima rimtai susižaloti. Jei jaučiate, kad prarastis pusiausvyrą, nedelsiant atleiskite maitinimo tiekimo rankenėle.
- Nepjunkite žolės prie stagių nuolydžių, griovių ar krantinių. Galite paslysti ar prarasti pusiausvyrą.

ŽOLĖS SURINKIMO DĖŽĖS IŠPYLIMAS

Žr. 10 pav.

Lietuviškai (Originalių instrukcijų vertimas)

- Sustabdykite vejąpjavę, leiskite peiliui visiškai sustoti ir ištraukite akumulatoriaus raktą.
- Pakelkite galines dureles.
- Žolės surinkimo dėžę pakelkite už rankenos, kad ją išimtumėte iš žoliapjavės.
- Išvalykite žolės gaudytuvą.
- Pakelkite galines dureles ir pritvirtinkite žolės surinkimo dėžę, kaip buvo anksčiau aprašyta šioje instrukcijoje.

PRIEŽIŪRA

▲ ĮSPĖJIMAS

Prieš atlikdami bet kokius techninės priežiūros darbus būtina išimkite iš vejąpjavės akumuliatorių ir akumulatoriaus raktą, kad įrenginys nebūtų netyčia paleistas ir nesukeltų sunkaus kūno sužalojimo.

▲ ĮSPĖJIMAS

Belaidė vejąpjavė turi ištraukiamąjį saugos raktą, kuris padeda užkirsti kelią netyčiam paleidimui ir nesankcionuotam naudojimui. Kad vejąpjavė būtų visiškai saugi, reikia ištraukti saugos raktą ir laikyti jį kur nors atokiau nuo vejąpjavės, vaikams nepasiekiamoje vietoje.

▲ ĮSPĖJIMAS

Sugedusias detales keiskite tik įgaliotomis atsarginėmis detalėmis. Kitų detalių naudojimas gali sukelti pavojų ar sugadinti prietaisą.

▲ ĮSPĖJIMAS

Variklyje ir akumulatoriaus skyrelyje neturi būti žolės, lapų ir per didelio tepalų kiekio. Tokiu būdu sumažinamas gaisro pavojus.

BENDRA PRIEŽIŪRA

Prieš kiekvieną naudojimą patikrinkite visą įrankį, ar jis nepažeistas, ar netrūksta detalių, ar jos neatsilaisvinę, pvz., varžtai, veržlės, sraigčiai, užmosvos ir t. t.

Tvirtai priveržkite visus fi ksatorius ir užmosvas bei įrankio nenaudokite, kol visos trūkstamos ir pažeistos detalės nebus pakeistos. Prašome kreiptis į pagalbos į „Green-works tools“ klientų aptarnavimo skyrių . Valydami plastines detales, nenaudokite tirpiklių. Komerciniai tirpikliai lengvaipažeidžia daugelį plastikinių dalių paviršių ir gali jas apgadinti. Valydami purvą, dulkes, tepalus, alyvas ir t. t., naudokite švarias šluostes.

▲ ĮSPĖJIMAS

Kad sumažintumėte sugadinimo ir pavojaus tikimybę, įrenginio niekada neplaukite aukšto slėgio ar tekančio vandens srove.

▲ ĮSPĖJIMAS

Laikyti tik patalpų viduje. Prieš įrenginį plaudami ar padėdami laikyti, visada iš vejąpjavės ir įkroviklio išimkite akumuliatorių.

▲ ĮSPĖJIMAS

Neleiskite stabdžių skysčiams, benzinui, naftos produktams, persisunkiantiems tepalams ir kt. susiliesti su plastikinėmis dalimis. Chemikalai gali jas pažeisti, susilpninti arba sunaikinti, taip sukeldami sunkių sužeidimų pavojų.

Užtikrinant saugų žoliapjavės darbą pastoviai tikrinkite visas veržles ir varžtus, ar jie tinkamai suveržti.

Retkarčiais švariai nuvalykite sausu skuduru. Nenaudokite vandens.

TEPIMAS

Kad įrankis ilgai veiktų normalioms darbo sąlygoms, visi šio įrankio guoliai tepami užpilant pakankamą kiekį aukštos kokybės tepalo. Todėl daugiau jo tepti neberekės.

▲ ĮSPĖJIMAS

Visada saugokite rankas. Taisydami geležtes dėvėkite storas pirštines ir/ar apvyniokite pjovimo geležtės kraštus skudurais ir kita medžiaga. Prisilietę prie geležtės galite sunkiai susižeisti.

▲ ĮSPĖJIMAS

Netepkite šių ratų komponentų tepalu. Dėl sutepimo ratukų sudėtinės detalės naudojimo metu gali sugesti ir tai gali sukelti sunkius sužeidimus operatoriui ir (ar) žoliapjavėi bei sukelti turtinę žalą.

PJOVIMO GELEŽTĖS PAKEITIMAS

Žr. 11-12 pav.

PASTABA: Naudokite tik leistinas naudoti atsargines geležtes. Siekiant išlaikyti įrankio pusiausvyrą, nusidėvėjusias ar pažeistas geležtes ir varžtus pakeiskite.

- Sustabdykite variklį ir ištraukite akumulatoriaus raktą.

Lietuviškai (Originalių instrukcijų vertimas)

Palaukite, kol geležtė visiškai nustos sukstis.

- Išimkite akumuliatorių.
- Apsukite žoliapjovę.
- Įsprauskite medžio gabalą tarp geležtės ir žoliapjovės dugno, kad geležtė neužsivestų.
- Atlaisvinkite geležtės varžtą, sukdami jį prieš laikrodžio rodyklę (žvelgiant iš žoliapjovės apačios) 27 mm veržliarakčiu arba galvute (komplekte nėra).
- Išsukite varžtą ir nuimkite geležtę.
- Uždėkite ant veleno naują geležtę. Įsitinkinkite, kad geležtė uždėta tinkamai, tai yra kad ji užmauta ant veleno per centrinę skylę ir kad du ant ventilatoriaus esantys pirštai pataikė į atitinkamas skyles ant geležtės. Taip pat įsitinkinkite, kad lenkti geležtės galai yra nukreipti į žoliapjovės korpuso pusę, o ne į žemę. Tinkamai uždėta geležtė turi lygiai prisispauti prie ventilatoriaus.
- Įsukite geležtės varžtą į veleną ir pirštais priveržkite.
- Geležtės veržlę priveržkite žemyn pagal laikrodžio rodyklę, naudodami dinamometrinį raktą (nepriedamas), siekiant užtikrinti, kad varžtas būtų saugiai priveržtas. Rekomenduojamas geležtės veržlės sukimo momentas yra 62,5-71,5 kg cm (350-400 in. lb).

APLINKOS APSAUGA

- Naudojant įrenginį, aplinkos apsauga turi būti svarbus ir prioritetinis aspektas, pilietinės visuomenės ir aplinkos, kurioje gyvename naudai. Stengtis netrukdyti kaimynams.
- Atidžiai sekti vietines normas susiejusias su pakavimo, alyvos, benzino, baterijų, filtrų, susigadinusių dalių arba kenksmingų aplinkai detalių sunaikinimu; šiosatliekos neturi būti metamos į šiukšlių dėžę, tačiau turi būti atskirti ir perduoti į surinkimo punktus, kuriuose bus pasirūpinama jų sunaikinimu.
- Kruopščiai laikytis vietinių teisės aktų šalinant pjovimo metu susidarančias atliekas.
- Įrenginio nebenaudojimo atveju, jo nepalikti aplinkoje, bet, vadovaujantis vietiniais teisės aktais, kreiptis į specializuotą atliekų surinkimo punktą.

Lietuviškai (Originalių instrukcijų vertimas)

GEDIMŲ NUSTATYMAS

Gedimas	Galima priežastis	Sprendimas
Rankena nėra tinkamoje padėtyje.	Vežimėlio varžtai nėra tinkamai įsodinti.	Nustatykite rankenos aukštį ir patikrinkite, ar vežimėlio varžtai yra gerai įsodinti.
Žoliapjovė neužsiveda.	Akumulatorius beveik išsikrovęs.	Įkraukite akumuliatorių.
	Akumulatorius nenaudotinas arba nebus įkraunamas.	Įdėkite akumuliatorių.
	Neįkištas akumulatoriaus raktelis.	Įkiškite akumulatoriaus raktelį.
Žoliapjovė žolę pjauna netolygiai.	Žolė yra šiurkšti arba nelygi, arba pjovimo aukštis nėra nustatytas teisingai.	Ratukus nustatykite į aukštesnę padėtį. Visi ratukai turi būti nustatyti tokiam pačiam aukštyje, kad žoliapjovė pjautų tolygiai.
Žoliapjovė tinkamai nemulčiuoja žolės.	Nupjauta šlapia žolė kyšo iš po apačios šonė.	Prieš pjaudami žolę, palaukite kol ji išdžius.
Žoliapjovę sunku stumti.	Aukšta žolė, užpakalinė žoliapjovės korpuso dalis ir geležtė įsivelia į tankią žolę arba pjovimo aukštis per žemas.	Padidinkite pjovimo aukštį.
Žoliapjovė tinkamai nesurenka žolės.	Pjovimo aukštis nustatytas per žemas.	Padidinkite pjovimo aukštį.
Esant dideliame greičiui žoliapjovė vibruoja.	Geležtė yra išbalansuota, per daug ar netolygiai nusidėvėjusi.	Pakeiskite geležtę.
	Variklio ašis yra sulenкта.	Sustabdykite variklį, ištraukite izoliatoriaus raktą, nuimkite akumuliatorių, atjunkite prietaisą nuo maitinimo šaltinio bei apžiūrėkite apgadintą vietą. Prieš naują paleidimą atiduokite taisyti į įgaliotą aptarnavimo centrą.
Variklis sustoja pjovimo metu.	Pjovimo aukštis nustatytas per žemas.	Padidinkite pjovimo aukštį.
	Akumulatorius išsikrovęs.	Įkraukite akumuliatorių.

Jei, taikant šiame skyriuje pateiktas priemones, gedimai nepašalinami, kreipkitės į įgaliotą techninės priežiūros atstovą.

Latviski (Tulkojums no oriģinālās dokumentācijas)

SPECIFIKĀCIJAS

Zāles pļaujmašīna	2502907
Griezuma platums	46 cm
Griešanas augstums	25 mm - 80 mm
Greitis be apkrovimo	2800 rpm
Pašgājēja ātrums	0.5-1.5 m/s
Skaņas spiediena līmenis	LpA :73 dB(A), K:3.0
Izmērītais skaņas jaudas līmenis	LwA :85.5 dB(A)
Vibrāciju līmenis	<2.5 m/s ² , K=1.5
Zāles savācēja ietilpība	52 L
Svars neto	28 kg
Rezerves asmens	2920407
Akumulators	Litija jonu
Modeļa numurs	2918307 / 2918407
Akumulatora lādētājs	
Modeļa numurs	2918507
Dubultās izolācijas konstrukcija	

APRAKSTS

- Jaudas svira
- Motora vadības kabelis
- Iedarbināšanas poga
- Augšējais rokturis
- Apakšējais rokturis
- Aukššāo lygio regulatorius
- Akumulatora nodalījuma durtiņas
- Priekšējais ritenis
- Aizmugures ritenis
- Zāles savācējs
- Akumulators
- Roktura slēdzis
- Slēdzis
- Skrūves
- Zāles savācēja rokturis
- Aizmugures durtiņas
- Aizmugures iztukšošanas atvere

- Durvu stienis
- Āķi
- Asmens
- Motora ass
- Ventilators
- Asmens skrūve
- Asmeņu statņi
- Akumulatora atbrīvošanas poga
- Smalcinātājs
- Sānu iztukšošanas noliecējs
- Sānu iztukšošanas durtiņas
- Koka bloks (nav kompl.)
- Uzgrieznis (nav kompl.)
- Baterijas atslēga
- Pašgājēja svira
- Pašgājēja ātruma kontroles

BRĪDINĀJUMS

Citu baterijas komplektu lietošana cilvēkam var izraisīt apdegumus, elektrisko šoku vai savainojumus.

IEPAZĪSTIET SAVU ZĀLES PĻĀVĒJU

Skatiet 1. attēlu.

Droša izstrādājuma lietošana prasa saprast informāciju par ierīci un šajā operatora rokasgrāmatā sniegto, kā arī ļabi pārzināt jūsu uzsākto projektu. Pirms šīs ierīces lietošanas iepazīstieties ar visām darba funkcijām un drošības noteikumiem.

AKUMULATORA MĒRAPARĀTS

Akumulatora mēraparāts mēra akumulatora atlikušo lādīņa lielumu.

ZĀLES SAVĀCĒJS

Zāles savācējs savāc zāles atgriezumus un neļauj tos pļaušanas laikā izsviest pār jūsu mauriņu.

AUKŠŠĀO LYGIO REGULIATORIUS

Augstuma regulēšanas svira veic griešanas augstuma regulēšanu.

MOTORA VADĪBAS KABELIS

Motora vadības kabelis, kas ir novietots uz zāles pļāvēja augšējā roktura, ieslēdz un izslēdz motoru un asmeni.

PĀRSLĒGTS

Pārslēgs ir jāievieto pirms tiek iedarbināts pļāvējs.

Latviski (Tulkojums no oriģinālās dokumentācijas)

SMALCINĀTĀJS

Jūsu zāles plāvējs ir aprīkots ar smalcinātāju, kas aizsedz aizmugures iztukšošanas atveri un ļauj zāles plāvēja asmenim nogriezt un apgriezt zāli sīkākām atgriezumiem.

SĀNU IZTUKŠOŠANAS NOLIECĒJS

Lietojiet zāles plāvēja sānu iztukšošanas noliecēju, ja zāle ir pārāk gara, lai sasmalcinātu, vai priekšroka tiek dota sānu iztukšošanai. Zāles atgriezumi, kas veidojas, lietojot sānu iztukšošanas noliecēju, ir ievērojami lielāki nekā tie, kas veidojas lietojot smalcinātāju un sānu smalcināšanas plātni.

SĀNU IZTUKŠOŠANAS DURTIŅAS

Jūsu zāles plāvējs ir aprīkots ar durtiņām, kas aizsedz sānu iztukšošanas atveri un ļauj zāles plāvēja asmenim nogriezt un vēlreiz nogriezt zāli sīkākām atgriezumiem, ja ir ieslēgts smalcinātājs vai citādi savākti zāles atgriezumi savācējā.

- Kloķi
- Bultskrūves

⚠ BRĪDINĀJUMS

Nenaudokite prietaiso, jei trūkst detaļiņu ar jos yra apgadintos tol, kol jos nebus pakeistos. Izstrādājuma ar bojātām vai trūkstošām detaļām lietošana var izraisīt smagus ievainojumus.

⚠ BRĪDINĀJUMS

Nemēģiniet pārveidot šo izstrādājumu vai izveidot piederumus, kas nav ieteikti lietošanai ar šo izstrādājumu. Bandyams jas keisti ar modi kuoti laikoma netinkamu naudojimu, galinčiu sukelti pavojingą situaciją ir jus rimtai sužeisti.

⚠ BRĪDINĀJUMS

Neievietojiet baterijas atslēgu, kamēr montāža nav pabeigta un Jūs esat gatavs izmantot plāvēju. Ja neievērosiet šo prasību, tad var notikt nejauša ierīces ieslēgšanās un Jūs varat gūt nopietnus ievainojumus.

MONTĀŽA

IZSAIŅOŠANA

Šis izstrādājums ir jāsamontē.

- Uzmanīgi izņemiet izstrādājumu un piederumus no kastes. Pārlicinieties, ka visi sarakstā norādītie priekšmeti ir kastē.

⚠ BRĪDINĀJUMS

Nelietojiet izstrādājumu, ja jebkura no sarakstā minētajām detaļām jau ir uzmontēta izstrādājumam, kad jūs to izsaņojat. Šajā sarakstā minētās detaļas ražotājs nav uzstādījis uz izstrādājuma, tās klientam jāuzstāda pašam. Izmantojiet izstrādājumu, kas var būt nepareizi samontēts, var izraisīt smagus ievainojumus.

- Uzmanīgi pārbaudiet, vai izstrādājumam nav piegādes laikā radušos bojājumu vai defektu.
- Neizjauciet iesaiņojumu, kamēr neesat rūpīgi pārbaudījis un apmierinoši darbinājis izstrādājumu.
- Ja kāda detaļa ir bojāta vai trūkst, lūdziet palīdzību, zvanot Greenworks tools apkopes centram.

Iepakošanas saraksts

- Zāles plaukmašīna
- Baterijas atslēga
- Zāles savācējs
- Smalcinātājs
- Sānu iztukšošanas noliecējs
- Operatora rokasgrāmata

⚠ BRĪDINĀJUMS

Lai nepieļautu nejaušu iedarbināšanu, kas var izraisīt smagu nelaiemes gadījumu, vienmēr izņemiet akumulatoru no ierīces, kad montējat detaļas.

⚠ BRĪDINĀJUMS

Nekad nedarbiniet plaukmašīnu bez uzstādītām un darba kārtībā esošām atbilstošajām drošības ierīcēm. Niekada nedirbīte žoliapjove su sugadintomis apsaugos priemonėmis. Naudodamiesi prietaisu esant ne visoms ar apgadintoms detalėms, galite rimtai susižeisti.

APAKŠĒJĀ ROKTURA ATVIEŅOŠANA UN PIELĀGOŠANA

Skatiet 2. attēlu.

- Velciet ir grieziet roktura slēdžus 90° uz abām pusēm, lai atskrūvētu apakšējos rokturus abās pusēs.
- Pārvietojiet apakšējos rokturus darbības stāvoklī. Jūs varat pacelt vai nolaist rokturi, jums ērtā stāvoklī. Ir 3 izvēles stāvokļi. Atbrīvojiet roktura slēdžus, lai nostiprinātu apakšējo rokturi atbilstošā stāvoklī.

PIEZĪME: Nodrošiniet, ka abas pusēs ir iestatītas vienādā pareizas montāžas stāvoklī.

Latviski (Tulkojums no oriģinālās dokumentācijas)

AUGŠĒJĀ ROKTURA UZSTĀDĪŠANA

Skatiet 3. attēlu.

- Savienojiet uzstādīšanas caurumus uz augšējā roktura ar apakšējo rokturi. Ievietojiet pārnēsāšanas skrūves un izmantojiet slēdžus, lai tās nostiprinātu. Atkārtojiet šo darbību arī otrā pusē.

ZĀLES SAVĀCĒJA UZSTĀDĪŠANA

Skatiet 4. attēlu.

- Pakelkīte galinīo išmetimo angos dangtj.
- Paceliet zāles uztvērēju aiz tā roktura un novietojiet zem aizmugurējām izejas durtiņām tā, lai tas nostiprinās uz zāles uztvērēja durtiņu izciļņiem.
- Atlaidiet aizmugurējās izejas durtiņas. Ja pareizi uzstādīts, zāles uztvērēja atvērums būs vienā garumā ar aizmugures izejas durtiņām.

SMALCINĀTĀJA UZSTĀDĪŠANA

Skatiet 5. attēlu.

- Paceliet un pieturiet aizmugures iztukšošanas durtiņas.
- Satveriet smalcinātāja rokturi un ievietojiet to šaurā leņķī, kā parādīts attēlā.
- Stingri spiediet smalcinātāju vietā.
- Nolaidiet aizmugures iztukšošanas durtiņas.

SĀNU IZTUKŠOŠANAS NOLIECĒJA UZSTĀDĪŠANA

Skatiet 6. attēlu.

PIEZĪME: Izmantojot sānu iztukšošanas noliecēju, neuzstādiēt zāles savācēju. Smalcinātājam jāpaliek uzstādītām.

- Paceliet sānu iztukšošanas durtiņas.
- Savietojiet āķus uz noliecēja ar eņģu stieni durvju apakšpusē.
- Laidiet uz leju noliecēju, līdz āķi ir nostiprināti uz smalcinātāja durvju eņģu stienā.
- Atbrīvojiet noliecēju un sānu iztukšošanas durtiņas.

GELEŽTĒS AUKŠČIO NUSTATYMAS

Skatiet 7. attēlu.

Transportavimo metu žoliapjovės ratai nustatyti į žemo pjovimo padėti. Prieš pirmą kartą naudojant žoliapjovę sureguliuokite pjovimo padėti pagal jums tinkamiausią pievos aukštį. Vidėjam mauriņam jābūt starp 38 mm un 51 mm aukstajos mēnešos un starp 51 mm un 70 mm siltajos mēnešos.

Lai regulētu asmens augstumu

- Norēdami geležtes pakelti, suspauskite aukščio reguliatoriņ ir patraukite jį į žoliapjovės galą.

- Norēdami nuleisti geležtes, suspauskite aukščio reguliatoriņ ir patraukite jį į žoliapjovės priekį.

EKSPLUATĀCIJA

▲ BRĪDINĀJUMS

Nepieļaujiet, lai iemaņas darbā ar šo produktu padarītu jūs neuzmanģius. Atcerieties, ka viens neuzmanģib.

▲ BRĪDINĀJUMS

Vienmēr lietojiet aizsargbrilles. Ja tas netiek ievērots, jūsu acis var lidot objekti, rezultātā nodarot nopietnas traumas.

▲ BRĪDINĀJUMS

Neizmantojiet piederumus, kas nav paredzēti lietošanai ar šo produktu. Šim produktam neparedzētu piederumu lietošana var izraisīt nopietnas traumas.

▲ BRĪDINĀJUMS

Pirms lietošanas vienmēr pārbaudiet zāles plāvēju, vai netrūkst un nav bojātas vai pārlieku nodilušas detaļas vai asmeņi. Izstrādājuma ar bojātām vai trūkstošām detaļām lietošana var izraisīt smagus ievainojumus.

- Nelieciet zāles plaujmašīnu, kad iedarbināt dzinēju vai ieslēdzat motoru, ja vien zāles plaujmašīna nav jānoliec, lai iedarbinātu. Šādā gadījumā nelieciet to vairāk nekā nepieciešams un paceliet tikai to daļu, kas atrodas tālāk no operatora.

- Nejunkite variklio stovēdami prieš išmetimo lataķą.
- Nenovietojiet rokas vai kājas zem rotējošām detaļām vai to tuvumā. Vienmēr turiet brīvu iztukšošanas atveri.

Pilnu uzlādes instrukciju skatiet speciģi kāģiju sadaļā norādģtājā akumulatoru un lādētāju operatora rokasgrāmatā.

LAI UZSTĀDĪTU AKUMULATORU

Skatiet 8. attēlu.

- Paceliet un pieturiet akumulatora pārseģu.
- Savienojiet akumulatoru ar zāles plāvēja akumulatora protu.
- Pārģiecinieties, ka akumulatora atbrģvošanas poga ir vietā un ka akumulators ir pilnģbā ievietots un nostiprinātā zāles plāvģjā pirms sākat darbģbu.
- Ievietojiet baterijas atslģģu.
- Ja ierģce uzreiz netģks lietota, tad neievietojiet baterijas

Latviski (Tulkojums no oriģinālās dokumentācijas)

atslēgu.

- Aizveriet durtiņas.

LAI IZŅEMTU AKUMULATORU

Skatiet 8. attēlu.

- Atlaidiet jaudas sviru, lai apturētu ierīci.
- Atveriet baterijas nodalījuma durvis, lai piekļūtu baterijas nodalījumam.
- Izņemiet baterijas atslēgu.
- Nospiediet akumulatora atbrīvošanas pogu (3) uz zāles plāvēja. Tas radīs akumulatora pacelšanas nedaudz uz augšu.
- Izņemiet akumulatoru no ierīces.

ŽOLIAPJOVĒS JUNGIMAS/IŠJUNGIMAS

Skatiet 9. attēlu.

- Nospiediet un turiet bloķēšanas pogu.
- Pavelciēt jaudas sviru uz augšu līdz rokturim, lai iedarbinātu zāles plāvēju, tad atlaidiet bloķēšanas bloku.
- Lai apturētu plāvēju, atbrīvojiet slēdža kontroles sviru.

PIEZĪME: Pašs galss troksnis un dzirkstejlošana var rasties, ja elektriskais motors samazina apgriezienus. Tas ir normāli.

PLAUŠANAS AR PAŠGĀJĒJU

Skatīt 9. attēlu

Lai ieslēgtu pašgājēja funkciju:

- Atveriet baterijas nodalījumu.
- ievietojiet bateriju.
- Ievietojiet baterijas atslēgu.
- Velciet pašgājēja sviru uz augšu līdz rokturim.

Lai izslēgtu pašgājēja funkciju:

- Atlaidiet pašgājēja sviru.

Lai pielāgotu pašgājēja funkcijas ātrumu:

- Lai palielinātu ātrumu, velciet ātruma pielāgošanas sviru truša simbola virzienā.
- Lai samazinātu ātrumu, spiediet ātruma pielāgošanas sviru leju bruņurupuča simbola virzienā.

PJOVIMO PATARIMAI

- Pārliecinieties, ka zālienā nav akmeņu, žaģaru, vadu un citu priekšmetu, kas var sabojāt zāles plaujmašīnas asmeņus vai motoru. Nepļaujiet virs tpašuma atzīmes mietiņiem vai citiem metāla statņiem. Tokius objektus žoliapjovē gali atsiktinai uzkabinti ir mesti j bet kuriā pusē bei sukelti rīmtus sužalojimus operatorui ir kitiems asmenims.
- Lai zālājs būtu veselīgs, vienmēr no kopējā zāles

garuma nogrieziet vienu trešdaļu vai mazāk.

- Nepļaujiet šļapios žolēs, j jstrīgs apatinēje dugno dalyje ir neleis tinkamai surinkti žolēs arba išsivalyti nuo nuopjovų.
- Jaunai vai biežai zālei var būt nepieciešams šaurāks plaušanas platums vai lielāks plaušanas augstums.
- Po kiekvieno naudojimo išvalykite žoliapjovės dugno apačią nuo žolės likučių, lapų, purvo ir kitų susikaupusių liekanų.
- Pļaudami aukštā žolē sumažinkite ējimo greitī. Taip pļovimas bus efektyvesnis ir geriau išsivalys nuopjovos.

PIEZĪME: vienmēr apturiet plāvēju, ļaujiet asmeņiem pilnībā apstāties un pirms plāvēja apakšas tīrīšanas izņemiet baterijas atslēgu

DARBAS ANT ŠLAITO

BRĪDINĀJUMS

Šlaitai yra pagrindinis veiksnyns, kai galima paslysti ir nukristi ir kuris gali baigtis sunkiais sužalojimais. Dirbant ant šlaitų reikia būti itin atsargiems. Jei būdami ant šlaito jūs jaučiatės suvaržyti, ten žolės nepļaukite. Jūsų pačių saugumui nebandykite pļauti ant didesnio nei 15 laipsnių šlaito.

BRĪDINĀJUMS

Darbiniet pašgājēja gaitā nelieļā ātrumā, dodoties augšup pa nogāži.

- Pļaukite skersai šlaitu, niekada nepļaukite aukštyn ir žemyn. Būkite itin atsargūs ant šlaitų keisdami kryptį.
- Saugokitės duobių, provėžų, akmenių, paslėptų objektų ar nelygumų, kur galite paslysti ar pargriūti. Aukšta žolė gali kliūtis paslėpti. Pašalinkite visus objektus (akmenis, medžių šakas ir t. t.) už kurių galėtumėte suklupti ar kuriuos geležtės užkabintų ir išmestų.
- Vienmēr saglabājiet stabiliu stāvokli. Paslydus ir nukritus galima rimtai susižaloti. Ja jūs sākat zaudēt līdzsvaru, tad nekavējieties atlaidiet jaudas sviru.
- Nepļaukite žolēs prie staigių nuolydžių, griovių ar krantinių. Galite paslysti ar prarasti pusiausvyrą.

ZĀLES SAVĀCĒJA IZTUKŠOŠANA

Skatiet 10. attēlu.

- Apturiet plāvēju, ļaujiet asmeņiem pilnībā apstāties, tad izņemiet baterijas atslēgu.
- Paceliet aizmugures durtiņas.
- Paceliet zāles uztvērēju aiz roktura, lai noņemtu no zāles plaujmašīnas.
- Išvalykite žolės gaudytuvą.

Latviski (Tulkojums no oriģinālās dokumentācijas)

- Paceliet aizmugures durtiņas un uzstādiat atpakaļ zāles uztvērēju, kā iepriekš rokasgrāmatā aprakstīts.

APKOPE

BRĪDINĀJUMS

Pirms veicat jebkādu tīrīšanu pārliecinieties, ka plāvēja baterija un baterijas atslēga ir atvienoti, lai izvairītos no nejaušas plāvēja iedarbināšanas vai nopietniem ievainojumiem.

BRĪDINĀJUMS

Lai izvairītos no nejaušas iedarbināšanas vai nesankcionētas izmantošanas, bezvadu zāles plāvējs ir aprīkots ar atvienojamu drošības atslēgu. Lai pilnībā atslēgtu zāles plāvēju, drošības atslēgu nepieciešams izņemt un glabāt prom no plāvēja, kur bērni tai nevar piekļūt.

BRĪDINĀJUMS

Lai samazinātu bojājuma un apdraudējuma risku, nekādā gadījumā netīrīt darbarīku ar spiediena mazgātāju vai zem tekoša ūdens.

BRĪDINĀJUMS

Uzglabāt tikai iekšējās. Zāles plāvēja tīrīšanas vai uzglabāšanas gadījumā vienmēr izņemiet no darbarīka akumulatoru un lādētāju.

BENDRA PRIEŽIŪRA

Pirms katras lietošanas pārbaudiet visu izstrādājumu, vai, piemēram, skrūves, uzgriežņi, bultas, vāciņi utt. nav bojāti, nokrituši vai valīgi.

Stingri pievelciet visus stiprinājumus un vākus un nedarbiniet izstrādājumu, kamēr bojātās vai trūkstošās detaļas ir nomainītas. Lūdziet palīdzību pa telefonu Greenworks tools klientu dienestā. Tīrot plastmasas detaļas, nelietojiet šķīdinātājus. Komercināri īpaši viegliem un patērējamajiem plastmasas daļiņām jābūt izgatavotām no izturīgas plastmasas. Lietojiet tīru audumu, lai notīrītu netīrumus, putekļus, smērvielas u.c.

BRĪDINĀJUMS

Turiet motora un akumulatora nodalījumus tīrus no zāles, lapām vai pārliekām smērvielām. Tas palīdzēs samazināt aizdegšanās risku.

BRĪDINĀJUMS

Turiet motora un akumulatora nodalījumus tīrus no zāles, lapām vai pārliekām smērvielām. Tas palīdzēs samazināt aizdegšanās risku.

BRĪDINĀJUMS

Neļaujiet bremžu šķidrums, benzīnam, naftas produktiem, smērvielām u.c. saskarties ar plastmasas detaļām. Ķīmiskās vielas var sabojāt, pavājināt vai iznīcināt plastmasu, izraisot smagu personas ievainojumu.

Uztīrīšanas laikā žoliapjovēs darbu pastovīgi tikrīniet visas veržles ir varžtus, ar jē tinkamai suveržti.

Retkarčāis švariai nuvalykite sausu skuduru. Nenaudokite vandens.

TEPIMAS

Kad jrankis ilgai veiktu normalioms darbo salygoms, visi šio jrankio guoliai tepami uzpilant pakankama kiekj aukstos kokybes tepalu. Todēl daugiau jo tepti neberekēs.

BRĪDINĀJUMS

Visada saugokite rankas. Taisydami geležtes dēvokite storas pirštines ir/ar apvynokite pjovimo geležtes kraštus skudurais ir kita medžiaga. Saskašanās ar asmeni var izraisīt smagus ievainojumus.

BRĪDINĀJUMS

Netepkite šiu ratu komponentu tepalu. Eļļošana var izraisīt riteņu detaļu nepareizu darbību, kas var radīt smagus operatora ievainojumus un/vai zāles plāvēja vai īpašuma bojājumus.

PJOVIMO GELEŽTĒS PAKEITIMAS

Skatiet 11-12. attēlu.

PIEZĪME: Izmantojiet tikai atzītus rezerves asmeņus. Nomainiet izdilušos vai bojātos asmeņus un skrūves, lai saglabātu simetriju.

- Apturiet motoru un noņemiet baterijas atslēgu. Ļaujiet asmenim pilnīgi apstāties.
- Noņemiet akumulatoru.
- Apsukite žoliapjovē.
- Īsprauskite medžio gabalā tarp geležtēs ir žoliapjovēs dugno, kad geležtē neušvestu.

Latviski (Tulkojums no oriģinālās dokumentācijas)

- Atskrūvējiet asmens skrūvi, griežot to pulksteņrādītāja virzienā (skatoties no zāles plāvēja apakšas), izmantojot 27 mm uzgriežņatslēgu vai uzmavu (nav pievienota).
- Noņemiet asmens skrūvi un asmeni.
- Novietojiet jaunu asmeni uz vārpstas. Nodrošiniet, ka asmens ir pareizi novietots tā, lai vārpstas centrs iet caur asmens caurumu un divi asmens statņi uz ventilatora ir attiecīgajos asmens caurumos. Pārliecinieties, ka tas ir uzstādīts ar izliekumu uz augšu, pret plāvēja korpusu un ne uz leju. Ja pareizi novietots, asmenim ir jāpieguļ pie ventilatora.
- Izveriet asmens skrūvi caur vārpstu un nostipriniet to ar pirkstiem.
- Pievelciet asmens uzgriežņi pulksteņrādītāju kustības virzienā, lietojot griezes momenta uzgriežņu atslēgu (nav komplektā), lai nodrošinātu, ka bultskrūve ir pareizi pievilktā. Ieteicamais asmens uzgriežņa griezes moments ir 62,5~71,5 kgf cm (350-400 in. lb).

APKĀRTĒJĀS VIDES AIZSARDZĪBA

- Mašīnas īpašniekam ir jā rūpējas par vides aizsardzību, izturoties ar cieņu pret sabiedrību un vidi, kurā dzīvojam. Centieties neķūt par jūsu kaimiņu traucējumu cēloni.
- Rūpīgi ievērojiet vietējo likumdošanu, kas attiecas uz iepakojuma materiālu, eļļas, benzīna, filtru, bojātu detaļu vai citu vidi piesārņojošo materiālu utilizāciju; šos atkritumus nedrīkst izmest sadzīves atkritumu konteineros un tie ir jānogādā uz speciāliem savākšanas centriem, kas nodrošina atkritumu utilizāciju.
- Rūpīgi ievērojiet vietējo likumdošanu, kas attiecas uz plaušanas atkritumu utilizāciju.
- Pēc mašīnas izvadīšanas no ekspluatācijas, nemetiet to ārā, bet sazinieties ar atkritumu savākšanas centru saskaņā ar vietējās likumdošanas prasībām.

Latviski (Tulkojums no oriģinālās dokumentācijas)


GEDIMŪ NUSTATĪMAS

Gedīmas	Galima priežastis	Sprendīmas
Rokturis nav vietā.	Rāmja skrūves nav pareizi ievietotas.	Noregulējiet roktura augstumu un pārbaudiet, vai rāmja skrūves ir pareizi ievietotas.
Zāles plāvēju nevar iedarbināt.	Akumulators ir gandrīz izlādējies.	Uzlādējiet akumulatoru.
	Akumulators ir nelietojams vai to nevar uzlādēt.	Nomainiet akumulatoru.
	Baterijas atslēga nav ievietota.	Ievietojiet baterijas atslēgu.
Zāles plāvējs pļauj zāli nelīdzeni.	Zāliens ir raupjš vai nelīdzens vai griešanas augstums nav pareizi iestatīts.	Paceliet riteņus augstākā stāvoklī. Lai zāles plāvējs pļautu līdzeni, visi riteņi jānoregulē vienādam pļaušanas augstumam.
Zāles plāvējs kārtīgi nesasmalcina zāli.	Mitras zāles atgriezumi pielīp pie ierīces apakšpusēs.	Pirms pļaušanas gaidiet, kamēr zāle nožūst.
Zāles plāvēju ir grūti stumt.	Aukšta žolē, uzpakalinē žoliapjovēs korpuso daļis ir geležtē īsvelia i tankiā žolē arba pļovimo aukštis per žemas.	Palieliniet griešanas augstumu.
Zāles plāvējs kārtīgi nesavāc zāli.	Griešanas augstums ir iestatīts pārāk zemu.	Palieliniet griešanas augstumu.
Esant dideliam greiċiui žoliapjovē vibruoja.	Asmens ir nestabils vai pārlietu vai nevienādi nodilis.	Nomainiet asmeni.
	Motora ass ir saliekta.	Apturiet motoru, izņemiet slēdža atslēgu un akumulatoru, atvienojiet barošanas avotu un pārbaudiet, vai nav bojājumu. Prieš naujā paleidimā atiduoċkite taisyti i jgaliotā aptarnavimo centrā.
Motors apstājas pļaušanas laikā.	Griešanas augstums ir iestatīts pārāk zemu.	Palieliniet griešanas augstumu.
	Akumulators ir izlādējies.	Uzlādējiet akumulatoru.

Ja tas neatrisina problēmu, sazinieties ar pilnvaroto apkopes aģentu.

Eesti (Originaaljuhendi tõlge)

TEHNINĒS SĀLYGOS

Muruniiduk	2502907
Lõikelaius	46 cm
Lõikekõrgus	25 mm - 80 mm
Tühikäigukiirus	2800 rpm
Edasiveokiirus	0.5-1.5 m/s
Helirõhu tase	LpA :73 dB(A), K:3.0
Mõõdetud helivõimsuse tase	LwA :85.5 dB(A)
Vibratiooni tase	<2.5 m/s ² , K=1.5
Rohukasti maht	52 L
Netomass	28 kg
Varu-lõiketera	2920407
Aku	Liitium-ioonaku
Mudeli number	2918307 / 2918407
Akulaadija	
Mudeli number	2918507
Topeltisolatsiooniga konstruktsioon	

KIRJELDUS

- Lülitushoob
- Mootori juhtimiskaabel
- Käivitusnupp
- Ülemine käepide
- Alumine käepide
- Kõrguse reguleerimishoob
- Akupesa kaas
- Esiratas
- Tagaratas
- Rohukast
- Aku
- Käepideme kinnitusnupp
- Nupp
- Poldid
- Rohukasti käepide
- Tagumine luuk
- Tagumine väljaviskeava

- Luugi varras
- Konksud
- Saeleht
- Mootorivõll
- Ventilaator
- Lõiketera kinnituspolt
- Lõiketera sõrmed
- Aku vabastusnupp
- Multšimissulgur
- Külgmine väljaviske suunaja
- Külgmine väljaviskeluuk
- Puitklots (ei ole komplektis)
- Võti (ei ole komplektis)
- Akuvõti
- Edasiveo hoob
- Edasiveo kiirusehoidik

⚠ HOIATUS

Muude akupakettide kasutamise korral võib tekkida tulekahju, elektrilöögi või kehavigastuse oht.

ÕPPIGE OMA MURUNIIDUKIT TUNDMA

Vaata joonist 1.

Ohutuks töötamiseks tuleb tunda muruniiduki tehnilisi andmeid ja kasutusjuhiseid ning aru saada tehtavast tööülesandest. Enne seadme kasutamahakkamist tutvuge selle kõikide kasutusomaduste ja ohutusreeglitega.

AKU LAETUSE NÄIDIK

Akuindikaator näitab akuse jäänud laetuse taset.

ROHUKAST

Rohukast kogub rohulibled kokku ja väldib nende paiskumist murule niitmise ajal.

KÕRGUSE REGULEERIMISHOOB

Kõrguse reguleerhoob võimaldab reguleerida niitmiskõrgust.

MOOTORI JUHTIMISKAABEL

Mootori juhtimiskaabel, mis asub muruniiduki ülemisel käepidemel lülitab mootori ja lõiketera liikumise sisse ja välja.

LÜLITI VÕTI

Enne muruniiduki käivitamist tuleb sisse panna lüliti võti.

Eesti (Originaaljuhendi tõlge)

MULTŠIMISSULGUR

Muruniidukil on multšimiskork, mis katab tagumise väljapaiskamisava, mis võimaldab muruniiduki lõiketeral lõigata ja järellõigata rohu väikemateks libledeks.

KÜLGMINE VÄLJAVISKE SUUNAJA

Kasutage külgmist väljalaskeava suunajat siis, kui rohi on multšimiseks liiga kõrge või kui see on eelistatud muudel põhjustel. Rohulibled on külgmise väljapaiske suunaja kasutamisel tunduvalt suuremad kui need, mis tekivad multšimissulguri ja külgmise multšimisplaadi kasutamisel.

KÜLGMINE VÄLJAVISKELUUK

Muruniidukil on luuk, mis katab külgmised väljapaiske avad, mis võimaldab muruniidukil lõigata ja järellõigata rohu peenemaks, juhul kui multšimiskork on paigaldatud, vastasel juhul suunatakse rohulibled kogumiskotti.

- Poldid

⚠ HOIATUS

Kui mõni osa on kahjustunud või puudu, ärge kasutage seda seadet enne, kui vastav osa on asendatud. Vigastatud või puuduvate osadega muruniiduki kasutamine võib põhjustada raske kehavigastuse.

⚠ HOIATUS

Ärge üritage seda seadet ümber ehitada ega luua lisaseadmeid, mida pole soovitatud selle tootega koos kasutada. Iga selline muutmine või ümberehitus on väärikasutamine ja võib põhjustada ohtliku olukorra ja viia võimaliku tõsise vigastuseni.

⚠ HOIATUS

Ärge pange akuvõtit enne sisse, kui muruniiduk on täielikult kokku pandud ja tööks ette valmistatud. Muidu võib toimuda juhuslik käivitumine, mis võib põhjustada raske kehavigastuse.

⚠ HOIATUS

Ärge pange lülitusvõtit enne sisse, kui muruniiduk on täielikult kokku pandud ja tööks ette valmistatud. Muidu võib toimuda juhuslik käivitumine, mis võib põhjustada raske kehavigastuse.

⚠ HOIATUS

Ärge kasutage muruniidukit ilma, et nõuetekohased ohutusseadised on oma kohtadel ja korras. Ärge kasutage muruniidukit kahjustunud ohutusseadmetega. Selle toote kasutamine kahjustatud või kadunud osaga võib põhjustada tõsiseid vigastusi.

ALUMISE KÄEPIDEME KOKKUVOLTIMINE JA REGULEERIMINE

Vaata *joonist 2*.

- Käepideme alalülide lõdvendamiseks tõmmake mõlemal pool asuvaid käepideme nuppe ja keerake neid 90°.
- Seadke alalülid tööasendisse. Käepideme ala- või ülalülisid saab seada endale mugavasse asendisse. Käepidemele saate valida 3 asendit. Vabastage käepideme nupud, et alalüli oma asendisse lukustada.

MÄRKUS. Veenduge, et mõlemad alalülid on samas asendis.

KOKKUPANEK

LAHTIPAKKIMINE

Seade on vaja enne kasutamist kokku panna.

- Võtke seade ja tarvikud ettevaatlikult karbist välja. Veenduge, et kõik pakkelehel loetletud osad on olemas.

⚠ HOIATUS

Ärge hakake seadet enne kasutama kui kõik pakkelehel loetletud osad on lahtipakkimisel ühendatud. Pakkelehel loetletud osad ei ole tootja poolt koostatud ja see tuleb teha kasutajal. Valesti kokkupandud seadme kasutamine võib põhjustada raske kehavigastuse.

- Uurige seadet põhjalikult, et veenduda tarne ajal tekkida võinud mõrade või kahjustuste puudumises.
- Ärge visake pakendit ära enne, kui te olete seadme põhjalikult üle vaadanud ja olete saanud seadet rahuldavalt kasutada.
- Kui mõni seadme osa on vigastatud või puudub, palun helistada abi saamiseks Greenworks tools klienditoe telefonile.

PAKKELEHT

- Muruniiduk
- Akuvõti
- Rohukast
- Multšimissulgur
- Külgmine väljaviske suunaja
- Kasutusjuhend
- Nupud

Eesti (Originaaljuhendi tõlge)

ÜLEMISE JUHTRAUA PAIGALDAMINE

Vaata joonist 3.

- Ühitage juhtraua ülaosa avad alalüli avadega. Pange sisse alusvankri poldid ja keerake neile kinnitamiseks nupud. Korrake kirjeldatud toimingut ka vastaspoolel.

ROHUKASTI PAIGALDAMINE

Vaata joonist 4.

- Tõstke tagumist tühjendusluuki.
- Tõstke rohpüüdur sangast üles ja pange tagaluugi alla, nii et rohpüüduri raami konksud kinnituvad luugi vardale.
- Vabastage tagumine väljalaskeluuk. Kui see on õigesti paigaldatud, siis rohkoguri konksud ulatuvad läbi tagaluugis olevate avade.

MULTŠIMISSULGURI PAIGALDAMINE

Vaata joonist 5.

- Tõstke ja hoidke tagumist väljalaskeluuki üleval.
- Võtke multšimissulguri käepidemest kinni ja suunake see avasse väikese nurga all, nagu joonisel näidatud.
- Suruge multšimissulgur lõpuni oma kohale.
- Laske tagumine väljalaskeluuk alla.

KÜLGMISTE VÄLJAVISKEAVADE SUUNAJA PAIGALDAMINE

Vaata joonist 6.

MÄRKUS. Kui kasutate külg-suunajat, siis ärge paigaldage rohkasti. Multšimissulgur peab jääma oma kohale.

- Tõstke külgmine väljalaskeluuk üles.
- Ühitage suunaja konksud luugi allosas oleva vardaga.
- Langetage suunajat, kuni konksud on haakunud multšimisluugi hinge vardale.
- Vabastage suunaja ja külgmise väljalaske luuk.

TERA KÕRGUSE SEADISTAMINE

Vaata joonist 7.

Tarnimise ajal on niiduki rattad seadistatud madala lõikuse asendisse. Enne niiduki esmakordset kasutamist, reguleerige kõrguspaigutus teie murule paremini sobivaks. Muru keskmine kõrgus peab jahedatel kuudel olema 38 mm kuni 51 mm kõrge ja soojadel kuudel 51 mm kuni 70 mm kõrge.

Tera kõrguse reguleerimiseks tehke järgmist

- Tera kõrguse tõstmiseks võtke kinni kõrguse reguleerimishoovast ja liigutage seda niiduki tagaosa suunas.
- Tera kõrguse langetamiseks, võtke kinni kõrguse reguleerimishoovast ja liigutage seda niiduki esiosa

suunas.

KASUTAMINE

⚠ HOIATUS

Vaatamata sellele, et olete tuttav akuga, ärge minetage selle kasutamisel valvsust. Pidage meeles, et tähelepanu minetamine sekundi murdosa jooksul on piisav tõsise kehavigastuse tekitamiseks.

⚠ HOIATUS

Kandke alati silmakaitsevahendeid. Selle eiramine võib tähendada, et võõrkehad võivad sattuda teile silma põhjustades võimalikku tõsist vigastust.

⚠ HOIATUS

Ärge kasutage mis tahes lisavarustust, mida käesoleva toote valmistaja pole soovitanud. Mittesoovitatud lisaseadmete ja tarvikute kasutamine võib tekitada tõsise kehavigastuse.

⚠ HOIATUS

Kontrollige enne kasutamist, et muruniidukil ei ole vigastatud osi ja vaadake üle, et lõiketera ei ole ebaühtlaselt või ülemääraselt kulunud. Vigastatud või puuduvate osadega muruniiduki kasutamine võib põhjustada raske kehavigastuse.

- Ärge kallutage muruniidukit siis, kui mootorit käivitata või lülitata sisse, välja arvatud juhul kui muruniidukit on vaja käivitamiseks kallutada. Sellisel juhul ärge kallutage seda rohkem kui hädavajalik ja tõstke üles vaid see osa, mis on kasutajast eemal.
- Ärge käivitage mootorit, kui seisate puisteava ees.
- Ärge pange oma käsi või jalgu pöörlevate osade alla või lähedusse. Hoidke väljaviskeavad puhtad.

Täielikku teavet laadimise kohta vaadake aku ja laadija kasutusjuhendi tehniliste andmete osast.

AKUPAKETI PAIGALDAMINE

Vaata joonist 8.

- Tõstke ja hoidke akukaant üleval.
- Pange akupakett akupesasse. Ühitage aku külgribid muruniiduki akupesasse olevate soontega.
- Ühitage aku muruniiduki akupesasse avaga.
- Pange akuvõti sisse.
- Kui te muruniidukit kohe kasutama ei hakka, ärge

Eesti (Originaaljuhendi tõlge)

pange akuvõtit sisse.

- Võtke akupakett muruniidukist välja.

AKU EEMALDAMINE

Vaata joonist 8.

- Muruniiduki seiskamiseks vabastage lülitushoob.
- Avage akuluuk, et saada ligipääs akupesale.
- Eemaldage akuvõti.
- Vajutage muruniidukil olevale aku vabastusnupule. Selle tulemusena ulatub aku seadmest osaliselt välja.
- Võtke akupakett muruniidukist välja.

MURUNIIDUKI KÄIVITAMINE/SEISKAMINE

Vaata joonist 9.

- Vajutage vabastuse turvanuppu ja hoidke seda all.
- Muruniiduki käivitamiseks tõmmake lülitushoob vastu käepidet ja vabastage turvanupp.
- Muruniiduki peatamiseks vabastage lüliti juhthoob.

MÄRKUS. Kui mootor kiirendab, on kuulda suuremat müra ja võib tekkida sädelemine. See on tavaline nähtus.

EDASIVEO KASUTAMINE

Vaadake joonist 9.

Edasiveo rakendamiseks tehke järgmist.

- Avage akupesala luuk.
- Paigaldage aku.
- Pange akuvõti sisse
- Tõmmake edasiveo hoob üles, kuni see on vastu käepidet.

Edasiveo lahtirakendamiseks tehke järgmist.

- Laske edasiveo hoob lahti.

Edasiveo kiiruse reguleerimiseks tehke järgmist.

- Kiiruse tõstmiseks tõmmake kiiruse reguleerihooob küülliku sümboliga tähistatud asendisse.
- Kiiruse alandamiseks tõmmake kiiruse reguleerihooob kilpkonna sümboliga tähistatud asendisse.

NÕUANDED NIITMISEKS

- Veenduge, et murul ei ole kivisid, vaiasid, traati ja muid esemeid, mis võivad vigastada muruniiduki lõiketerasid või mootorit. Ärge niitke ümber nurgavaiade ega ümber metallpostide. Need esemed võivad paiskuda muruniiduki alt igas suunas välja ja põhjustada kasutajale ning teistele tõsisid kehavigastusi.
- Tihedat muru kärpige alati esmalt ühe kolmandiku kõrguselt või vähem.

- Ärge niitke märga muru, see kleepub korpuse põhja külge ja välistab muru peenmassi korralliku kogumise või puistamise.

- Uus või tihe rohi võib nõuda kitsamat või kõrgemat lõikekõrgust.

- Pärast igakordset kasutamist puhastage niiduki korpus, eemaldage sellelt murujäätmad, lehed, mustus ja kõik muu kogunenud prügi.

- Kui niidate pikka muru, vähendage jalutuskiirust, et niide oleks efektiivsem ja peenmassi puistamine ühtlasem.

MÄRKUS. Enne muruniiduki alaosa puhastamist seisake mootor, laske lõiketeradel täielikult seiskuda ja võtke akuvõti välja.

KASUTAMINE KALLAKUL

⚠ HOIATUS

Kallakud on peamine libisemist ja kukkumist põhjustav faktor, mis võib põhjustada erinevaid vigastusi. Töötamine kallakutel nõuab erilist tähelepanu. Kui tunnete, et kallakul on raske, ärge niitke seal. Teie ohutuse huvides on mitte proovida niita kallakuid, mille kalle on üle 15 kraadi.

⚠ HOIATUS

Kallakust üles sõites hoidke edasiveo kiirus madalal.

- Niitke kallakutel olevat muru risti, mitte kunagi ülesalla suunaliselt. Olge ülimalt ettevaatlik, kui muudate kallakul olles suunda.

- Jälgige auke, rööpaid, kive, peidetud esemeid või mättaid, mis võivad põhjustada teie libisemist või komistamist. Kõrge rohi võib peita takistusi. Eemaldage kõik esemed, nagu kivid, puu oksad jne, mis võivad viskuda üles või saada tera poolt lennutatud.

- Tagage endale kindel jalgealune. Libisemine ja kukkumine võib põhjustada erinevaid kehavigastusi. Kui teile tundub, et kaotate tasakaalu, siis laske lülitushoob kohe lahti.

- Ärge niitke muru järsakute, kraavide või vallide läheduses; teil võib kaduda jalgealune või tasakaal.

ROHUKASTI TÜHJENDAMINE

Vaata joonist 10.

- Seisake muruniiduk, laske lõiketeradel täielikult seiskuda ja võtke ära akuvõti.

- Tõstke tagaluuk üles.

- Rohukasti mahavõtmiseks tõsteke seda sangast.

- Tühjendage lõigatud murust.

Eesti (Originaaljuhendi tõlge)

- Tõstke tagaluuk üles ja pange rohkest tagasi nagu käesolevas kasutusjuhendis kirjeldatud.

HOOLDUS

⚠ HOIATUS

Enne iga hooldustoimingut võtke aku ja akuvõti välja, et vältida juhuslikku käivitumist ning võimalikku kehavigastust.

⚠ HOIATUS

Ootamatu käivitumise või loata kasutamise vältimiseks on muruniidukil eemaldatav turvavõti. Muruniiduki käivitamise blokeerimiseks tuleb turvavõti eemaldada ja hoida seda muruniidukist eraldi, lastele kättesaamatus kohas.

⚠ HOIATUS

Kasutage teenindamisel ainult täpselt sobivaid varuosi. Muude osade kasutamine võib luua ohuolukorra või põhjustada toote kahjustumist.

⚠ HOIATUS

Hoidke mootor ja akupesad puhtad rohost, lehtedest või mustusest. Sellega võib väheneda tulekahju oht.

ÜLDINE HOOLDUS

Enne iga kasutuskorda kontrollige seade täielikult üle vigastatud, puuduvate ja lõtvunud osade, näiteks kruvid, mutrid, sõrmed, korgid jne suhtes.

Pingutage kõik kinnitid ja korgid ning ärge kasutage seadet enne, kui kõik puuduvad ja vigastatud osad on asendatud. Pöörduge abi saamiseks Greenworks klienditoe poole. Vältige plastosade puhastamisel lahustite kasutamist. Enamik plastikuid on erinevat tüüpi poes müüdavate lahuste kahjustuste suhtes altd ja võivad saada neid kasutades kahjustatud. Mustusest, tolmust, õlist, määrdest jne puhastamiseks kasutage puhast riidelappi.

⚠ HOIATUS

Kahjustuste tekkimise riski ja ohu vähendamiseks ärge kunagi puhastage tööriista survepesuriga või jooksva vee all.

⚠ HOIATUS

Hoiustage ainult siseruumides. Tööriista puhastamisel või hoiustamisel eemaldage muruniidukilt alati aku ja laadija.

⚠ HOIATUS

Ärge laske plastosadel mitte mingil juhul sattuda kokkupuutesse auto pidurivedeliku, bensiini, bensiinipõhiste toodete, immutusõlidega või muude samalaadsete vedelikega. Kemikaalid võivad plaste rikkuda, nõrgendada või neile hävitavalt mõjuda, mis võib põhjustada raske kehavigastuse.

Kontrollige perioodiliselt, kas kõik mutrid ja poldid on korralikult kinni, et tagada niiduki ohutu kasutamine.

Pühkige muruniidukit aegajalt kuiva riidetükiga. Ärge kasutage vett.

MÄÄRIMINE

Kõiki selle seadme laagreid on määritud küllaldase koguse kõrge vastupidavusega määrdega kogu seadme elueaks normaalsel töötingimustel. Seetõttu ei ole täiendav laagrите määrimine vajalik.

⚠ HOIATUS

Tera hooldustöid teostades kaitske oma käsi, kandes alati tugevaid kindaid ja/või mähkige tera lõikeservad kaitse ja muu materjali sisse. Kokkupuutumisel lõiketeraga võite saada raske kehavigastuse.

⚠ HOIATUS

Ärge määrige ühtegi rattakomponenti. Õlitamine võib põhjustada ratta osade vigastumise, mis võib kasutajale kaasa tuua raske kehavigastuse ja/või varakahju.

LÕIKETERA VAHETAMINE

Vaata *joonist 11-12*.

MÄRKUS. Kasutage ainult originaallõiketerasid. Ärakulunud ja vigastatud lõiketerad ning poldid tuleb asendada komplektis, et säilitada tasakaalustatus.

- Seisake mootor ja võtke akuvõti välja. Laske lõiketeral täielikult seiskuda.
- Võtke akupakett välja.
- Pöörake muruniiduk küljele.
- Tera pöörlemise vältimiseks kiiluge tükk puitu tera ja niiduki korpuse vahele.
- Keerake lõiketera polt vastupäeva lahti (vaadates muruniiduki alt), kasutades lehtvõtit või otsvõtit 27 mm (ei ole komplektis).
- Eemaldage lõiketera polt ja lõiketera.
- Pange völliile uus lõiketera. Veenduge, et lõiketera on völliile nõuetekohaselt kinnitatud läbi lõiketera keskava ja ventilaatoril olevad kaks lõiketera sõrme on lõiketera

Eesti (Originaaljuhendi tõlge)

vastavates avades. Veenduge, et see on paigaldatud nii, et ärakeeratud servad on suunatud korpuse poole, mitte maapinna suunas. Õige paigalduse korral peab lõiketera olema tihedalt vastu ventilaatorit.

- Krurvige lõiketera polt võllile ja keerake see käega kinni.
- Pingutage lõiketera mutter päripäeva momentvõtmega (ei kuulu komplekti), et tagada poldi nõuetekohane pingus. Soovitame lõiketera mutter kinni keerata pingutusmomendiga 62,5 ~ 71,5 kgf cm (350 – 400 in. lb).

KESKKONNAKAITSE

- Keskkonnakaitse peab masina kasutamisel olema oluline ja prioriteetne aspekt kaitsmaks meie tsiviilse kooselu ja keskkonna huve. Vältida naabrite segamist.
- Järgida täpselt kohalikke norme, mis puudutavad pakendite, õlide, bensiini, filtrite, kahjustatud osade ja muu keskkonnaohtliku kõrvaldamist; neid jäätmeid ei tohi visata prügi hulka, vaid need tuleb eraldada ja viia vastavatesse kogumispunktidesse, kus hoolitsetakse materjalide ümbertöötuse eest.
- Järgida täpselt kohalikke nõudeid, mis puudutavad lõikejääkide ümbertöötlust.
- Kui masinat enam ei kasuta, ärge visake seda loodusesse, vaid pöörduda vastavalt kohalikele kehtivatele normidele jäätmekäitluspunkti poole.

Eesti (Originaaljuhendi tõlge)

RIKKEOTSING

Probleem	Võimalik põhjus	Lahendus
Käepide ei ole omal kohal.	Aluskäru poldid ei ole õiges kohas.	Reguleerige käepide välja ja veenduge, et aluskäru poldid on nõuetekohaselt kinnitatud.
Muruniiduk ei käivitu.	Aku on tühjenemas.	Laadige aku.
	Aku ei ole kasutatav või seda ei saa laadida.	Asendage aku.
	Akuvõti pole sisestatud.	Pange akuvõti sisse.
Muruniiduk ei niida rohtu ühtlaselt.	Muru on tihe või ebaühtlane või on kõrgus valesti seadistatud.	Liigutage rattad ülemisse asendisse. Muru ühtlaseks niitmiseks peavad kõik rattad olema seatud ühele kõrgusele.
Muruniiduk ei multši nõuetekohaselt.	Märjad rohumibled on jäänud muruniiduki korpuse alla kinni.	Oodake enne niitmise alustamist kuni muru ära kuivab.
Muruniidukit on raske edasi lükata.	Kõrge muru, muruniiduki korpuse tagaosas ja tera vedamine tihedas murus või liiga madal lõikekõrgus.	Suurendage lõikekõrgust.
Muruniiduk ei suuna rohtu nõuetekohaselt kotti.	Lõikekõrgus on seatud liiga madalale.	Suurendage lõikekõrgust.
Muruniiduk vibreerib suuremal kiirusel.	Lõiketera on tasakaalustamata, ülemääraselt või ebaühtlaselt kulunud.	Asendage lõiketera.
	Mootorivõll on kõver.	Seisake mootor, võtke lülitusvõti ja aku välja, ühendage lahti toiteallikas ja kontrollige vigastus üle. Laske enne uuesti käivitamist remontida volitatud teeninduskeskuses.
Mootor seiskub niitmise ajal.	Lõikekõrgus on seatud liiga madalale.	Suurendage lõikekõrgust.
	Aku on tühi.	Laadige aku.

Kui selle lahuse kasutamine ei aita, siis pöörduge meie volitatud hooldaja poole.

**PERIOD OF WARRANTY**

All new Greenworks Tools machinery is supplied with a 2 year parts and labour warranty from original date of purchase. A 30 day warranty is available for machines used professionally as Greenworks Tools are designed primarily to be used by DIY consumers. This warranty is non-transferable.

LIMITATIONS

This warranty applies only to defective parts/components and does not cover repairs due to:

1. Normal wear and tear.
2. Routine tune up or adjustment.
3. Damage caused by improper handling/abuse/misuse or neglect.
4. Overheating due to lack of maintenance.
5. Damage due to fittings/fasteners becoming loose/detached through lack of maintenance.
6. Damage caused by cleaning with water.
7. Machines serviced or repaired by non-authorised Greenworks Tools service centres.
8. Machines incorrectly assembled or adjusted.
9. Damage caused by improper use of the machine.
10. Damage caused by improper winterisation (pressure washers)
11. Items considered as consumable parts are not normally covered by the warranty, including but not limited to:
 - Batteries
 - Electric cables
 - Blade and blade assemblies
 - Belts
 - Filters
 - Chucks and tool holders
12. Certain products may contain components such as engines, transmissions from an alternative manufacturer, these items will be subject to the appropriate manufacturer's warranty policy except where Greenworks Tools Europe GmbH agrees to underwrite any claims outside the said manufacturer's warranty period.
13. Second hand goods are not covered under this warranty policy.
14. The fitting of spares, replacements or extra components which are not supplied or approved by Greenworks Tools Europe GmbH.

Warranty

To claim a warranty on any product under this policy a proof of original purchase is required. Credit card statement do not qualify as sufficient proof of purchase. In the first instance of a warranty event occurring the consumer should return the product to the original place of purchase with their proof of purchase. The machine will be sent to our central service facility and an inspection made. If the machine be found to be at fault it will be repaired and sent back to the address of the consumer free of charge. Machines that retail for less than €100 euros including sales taxes will generally be replaced.

If the central service facility finds that machine is not found to be at fault then the consumer will be advised they will need to pay for the cost of the repair.

This warranty policy is subject to change from time to time to accommodate the needs of new products. A copy of the latest warranty policy will be available at www.greenworkstools.eu.

**GEWÄHRLEISTUNGSFRIST**

Alle neuen Greenworks Werkzeuge sind mit einer 2 Jahre Garantie auf Teile und Arbeit ab Kaufdatum ausgestattet. Eine 30 Tage Garantie ist für Maschinen im professionellen Einsatz verfügbar, weil Greenworks Werkzeuge hauptsächlich für den Einsatz durch Heimwerker konstruiert sind. Diese Garantie ist nicht übertragbar.

EINSCHRÄNKUNGEN

Diese Garantie gilt nur für defekte Teile/Komponenten und deckt keine Reparaturen ab aufgrund von:

1. Normaler Abnutzung.
2. Routinewartungen oder Einstellungen.
3. Durch falsche Handhabung/Missbrauch/Fehlanwendung oder Vernachlässigung verursachte Schäden.
4. Überhitzung aufgrund von fehlender Wartung.
5. Schäden aufgrund von durch fehlende Wartung lockeren/gelösten Anschlüssen/Befestigungen.
6. Durch Reinigung mit Wasser verursachte Schäden.
7. Maschinen die nicht von einem autorisierten Greenworks Kundendienst gewartet oder repariert wurden.
8. Maschinen die falsch montiert oder eingestellt wurden.
9. Schäden aufgrund falscher Benutzung der Maschine.
10. Schäden aufgrund von falscher Wintereinlagerung (Hochdruckreiniger).
11. Elemente die als Verschleißteile betrachtet werden sind normalerweise nicht von dieser Garantie abgedeckt, einschließlich, aber nicht beschränkt auf:
 - Akkus
 - Elektrische Kabel
 - Klingen und Klingeneinheiten
 - Bänder
 - Filter
 - Spannfutter und Werkzeughalter
12. Bestimmte Produkte können Teile wie Motoren, Getriebe von anderen Herstellern enthalten, diese Elemente unterliegen der entsprechenden Herstellergarantie, außer in Fällen wo Greenworks Tools Europe GmbH zustimmt Ansprüche außerhalb der genannten Herstellergarantiefrist zu akzeptieren.
13. Gebrauchte Waren sind nicht von dieser Garantie abgedeckt.
14. Die Montage von Ersatzteilen oder zusätzlichen Teilen die nicht von Greenworks Tools Europe GmbH geliefert oder zugelassen sind.

Garantie

Für einen Gewährleistungsanspruch auf ein Produkt unter dieser Garantie ist ein Original-Kaufbeleg erforderlich. Kreditkartenauszüge sind als Kaufbeleg ausreichend. Im Falle eines Garantiefalls sollte der Kunde das Produkt zuerst mit dem Kaufbeleg zu ein Einkaufsort bringen. Die Maschine wird an unsere zentrale Serviceeinrichtung gesendet und dort überprüft. Wenn die Maschine fehlerhaft ist, wird sie repariert und kostenfrei an die Kundenadresse gesendet. Maschinen die für unter 100 € einschließlich Mehrwertsteuer verkauft werden, werden generell ersetzt.

Wenn die zentrale Serviceeinrichtung feststellt, dass die Maschine nicht ursächlich für den Fehler ist, wird der Kunde informiert, dass er die Kosten der Reparatur zu tragen hat.

Änderungen dieser Garantie sind vorbehalten, um neue Produkte einzubeziehen. Eine Kopie der aktuellen Garantie ist verfügbar auf www.greenworkstools.eu.



La política de garantía de Greenworks Tools para máquinas de bricolaje

PERÍODO DE GARANTÍA

Todas las máquinas nuevas de Greenworks Tools se suministran con 2 años de garantía para las piezas y el trabajo a partir de la fecha de compra original. Hay disponible una garantía de 30 días para las máquinas de uso profesional, ya que las herramientas de Greenworks Tools son diseñadas principalmente para ser utilizadas por consumidores DIY. Esta garantía no es transferible

LIMITACIONES

Esta garantía solo se aplica a piezas/componentes defectuosos y no cubre las reparaciones debido a lo siguiente:

1. Uso y desgaste normal
2. La puesta a punto o ajuste
3. El daño causado por un manejo inadecuado/abuso/mal uso/negligencia.
4. El sobrecalentamiento debido a la falta de mantenimiento.
5. El daño debido a que los accesorios/sujeciones se han aflojado/soltado por culpa de una falta de mantenimiento.
6. El daño causados por una limpieza con agua.
7. Las máquinas a las que le ha hecho el mantenimiento o la reparación un centro de servicios no autorizado por Greenworks Tools.
8. Las máquinas mal montadas o mal ajustadas.
9. El daño causado por un uso inadecuado de la máquina.
10. El daño causado por un mal acondicionamiento para el invierno (lavados a presión)
11. La garantía no suele cubrir los elementos considerados piezas consumibles, incluido, entre otras cosas, lo siguiente:
 - Pilas
 - Cables eléctricos
 - Cuchillas y conjuntos de cuchillas
 - Cinturones
 - Filtros
 - Portaherramientas
12. Algunos productos pueden contener componentes como motores o transmisiones de un fabricante alternativo; estos elementos estarán sujetos a la política de garantía del fabricante correspondiente excepto en los casos en que Greenworks Tools Europe GmbH acuerde asumir cualquier reclamación fuera del periodo de garantía de dicho fabricante.
13. Los artículos de segunda mano no los cubre la presente política de garantía.
14. La colocación de piezas de repuesto o componentes adicionales no suministrados ni autorizados por Greenworks Tools Europe GmbH.

Garantía

Para solicitar una garantía sobre cualquier producto cubierto por esta política hay que presentar la prueba de compra original. El comprobante de la tarjeta de crédito no constituye una prueba de compra suficiente. En primer lugar, en caso de garantía, el consumidor debe devolver el producto al lugar original donde lo compró con su prueba de compra. La máquina será enviada a nuestras instalaciones de servicio centrales, donde se le hará una inspección. Si se descubre que la máquina tiene un fallo será reparada y enviada de vuelta a la dirección del consumidor sin coste alguno. Las máquinas que cuesten menos de 100 €, impuestos de ventas incluidos, suelen ser sustituidas.

Si en las instalaciones de servicio centrales se descubre que la máquina no tiene ningún fallo, se avisará al consumidor que tiene que pagar el coste de la reparación.

Esta política de garantía está sujeta a variaciones periódicas para adaptarse a las necesidades de nuevos productos. Habrá disponible una copia de la última política y garantía en www.greenworkstools.eu.



Garanzia Utensili Greenworks per Dispositivi per Lavori fai da te

PERIODO DI GARANZIA

Tutti gli Utensili Greenworks vengono forniti con una garanzia di 2 anni per le parti e l'eventuale lavoro dalla data originale di acquisto. È disponibile una garanzia di 30 giorni per i dispositivi utilizzati professionalmente dal momento che gli Utensili Greenworks sono progettati principalmente per essere utilizzati da consumatori del mercato fai-da-te. Questa garanzia non è trasferibile.

LIMITAZIONI

Questa garanzia si applica solo a parti/componenti difettosi e non copre eventuali riparazioni dovute a:

1. Normale usura e consumo.
2. Regolazioni o alterazioni di routine.
3. Danni causati da gestione scorretta/stress/utilizzo scorretto o non curanza.
4. Surriscaldamento a causa di mancata manutenzione.
5. Danni dovuti a dispositivi di bloccaggio/fissaggio che si allentano/scollegano a causa di mancanza di manutenzione.
6. Danni causati da operazioni di pulizia con acqua.
7. Utensili sottoposti a manutenzione o riparati da centri servizi Utensili Greenworks non autorizzati.
8. Utensili non correttamente montati o regolati.
9. Danni causati da un utilizzo scorretto dell'utensile.
10. Danni causati da un riponimento invernale scorretto (idropultrici a pressione)
11. Elementi considerati come parti consumabili non normalmente coperte da garanzia, compresi ma non limitati a:
 - Batterie
 - Cavi elettrici
 - Lame e gruppo lame
 - Cinghie
 - Filtri
 - Mandrini e reggiutensili
12. Alcuni prodotti possono contenere componenti come motori e trasmissioni prodotte da altre ditte, questi componenti potranno essere soggetti a garanzie delle rispettive ditte produttrici tranne ove la Greenworks Tools Europe GmbH indichi e sia d'accordo a sottoscrivere eventuali richieste che non rientrino nel periodo di garanzia della ditta produttrice di cui sopra. 13. Gli utensili di seconda mano non sono coperti dalla presente garanzia.
14. Il montaggio di parti di ricambio, di sostituzione o di ulteriori componenti non forniti o approvati dalla Greenworks Tools Europe GmbH.

Garanzia

Per presentare una richiesta di garanzia su qualsiasi prodotto è obbligatorio presentare una prova di acquisto dello stesso. Un estratto conto della carta di credito non si qualifica come sufficiente prova di acquisto. Quando si deve richiedere un intervento di garanzia per la prima volta il consumatore dovrà riportare il prodotto nel luogo di acquisto originale assieme alla prova di acquisto. L'utensile verrà inviato presso un centro servizi clienti centrale e verrà fatto un primo controllo. Se l'utensile è difettoso, dovrà essere riparato e inviato all'indirizzo del consumatore gratuitamente. Gli utensili venduti a meno di €100 euro comprese le tasse di vendita verranno di solito sostituiti.

Se il centro servizi clienti rileva che l'utensile non è difettoso a causa di un danno di fabbrica il consumatore dovrà pagare per il costo delle riparazioni.

Questa garanzia è soggetta a cambiamenti di tanto in tanto per rispettare le necessità di nuovi prodotti. Una copia della garanzia più recente sarà disponibile presso il sito www.greenworkstools.eu.



Politique de garantie de Greenworks Tools pour les outils de bricolage

PÉRIODE DE LA GARANTIE

Tous les nouveaux outils Greenworks Tools sont livrés avec une garantie de 2 ans protégeant l'outil contre les défauts de matériau et main d'œuvre à partir de la date d'achat originale. Une garantie de 30 jours est disponible pour les outils utilisés à titre professionnel, car les outils Greenworks sont principalement conçus pour être utilisés par des bricoleurs. Cette garantie est incessible.

LIMITATIONS

Cette garantie s'applique uniquement aux pièces/composants défectueux et ne couvre pas les réparations dues à :

1. L'usure normale.
2. Une amélioration ou un réglage de routine.
3. Les dommages causés par une manutention inadéquate/un abus/une utilisation inadéquate ou une négligence.
4. Une surchauffe due à une manque de maintenance.
5. Les dommages dus à des fixations/installations se desserrant/détachant en raison d'un manque de maintenance.
6. Les dommages causés par un nettoyage à l'eau.
7. Les outils entretenus ou réparés par un centre de réparation non agréé par Greenworks Tools.
8. Les outils assemblés ou réglés de manière incorrecte.
9. Les dommages causés par une utilisation inadéquate de l'outil.
10. Les dommages causés par un aménagement pour l'hiver inadéquat (nettoyeur à haute pression).
11. Les éléments considérés par des consommateurs ne sont pas normalement couverts par la garantie, cela inclut mais ne se limite pas aux éléments suivants :
 - Piles
 - Câbles électriques
 - Lames et assemblages des lames
 - Courroies
 - Filtres
 - Mandrins et supports pour outils
12. Certains produits peuvent contenir des composants comme des moteurs, des transmissions d'un autre fabricant, ces éléments sont soumis à la politique de garantie du fabricant respectif, sauf si Greenworks Tools Europe GmbH accepte de garantir des réparations en dehors de la période de garantie dudit fabricant.
13. Les outils d'occasion ne sont pas couverts par cette politique de garantie.
14. L'installation des pièces de rechange ou accessoires supplémentaires non fournis ou approuvés par Greenworks Tools Europe GmbH.

Garantie

Une preuve d'achat est requise pour faire valoir la garantie d'un produit liée à cette politique. Le relevé de carte de crédit ne constitue pas une preuve d'achat suffisante. En cas de problème couvert par la garantie, le consommateur doit apporter le produit et sa preuve d'achat au lieu d'achat original. L'appareil sera par la suite expédié à un centre de réparation afin d'y être examiné. En présence de dommage, l'appareil sera réparé et renvoyé gratuitement à l'adresse du consommateur. Il convient de noter que les appareils dont le prix de vente est inférieur à 100 € euros (TTC) sont généralement remplacés par un produit neuf.

Si le centre de réparation juge que l'appareil n'est pas défectueux, il avertira le consommateur qu'il devra payer le coût de la réparation.

Cette politique de garantie est soumise à des modifications régulières, celles-ci visent à s'adapter aux nouveaux produits. Une copie de la politique de garantie est disponible à l'adresse www.greenworkstools.eu.



A política de garantia da Greenworks Tools para máquinas de bricolagem

PERÍODO DE GARANTIA

Todas as máquinas novas da Greenworks Tools são fornecidas com 2 anos de garantia para as peças e o trabalho a partir da data de compra original. Está disponível uma garantia de 30 dias para as máquinas de uso profissional, dado que as ferramentas da Greenworks Tools são concebidas principalmente para ser utilizadas por consumidores de bricolagem. Esta garantia não é transmissível.

LIMITAÇÕES

Esta garantia apenas se aplica a peças/componentes defeituosos e não cobre as reparações devido ao seguinte:

1. Desgaste habitual
2. A afinação ou ajuste
3. O dano causado por um manuseamento inadequado/abuso/mau uso/negligência.
4. O sobreaquecimento devido à falta de manutenção.
5. O dano devido a que os acessórios/fixações se desapertaram / soltaram por culpa de uma falta de manutenção.
6. O dano causados por uma limpeza com água.
7. As máquinas assistidas ou reparadas por um centro de assistência não autorizado pela Greenworks Tools.
8. As máquinas mal montadas ou mal ajustadas.
9. O dano causado por um uso inadequado da máquina.
10. O dano causado por um mau acondicionamento para o inverno (lavagem à pressão)
11. A garantia não costuma cobrir os elementos considerados peças consumíveis, incluindo, entre outros, o seguinte:
 - Pilhas
 - Cabos elétricos
 - Lâminas e conjuntos de lâminas
 - Cintos
 - Filtros
 - Porta-ferramentas
12. Alguns produtos podem conter componentes como motores ou transmissões de um fabricante alternativo; estes elementos estarão sujeitos à política de garantia do fabricante correspondente exceto nos casos em que a Greenworks Tools Europe GmbH acorde assumir qualquer reclamação fora do período de garantia desse fabricante.
13. Os artigos de segunda mão não estão cobertos pela presente política de garantia.
14. A colocação de peças sobressalentes ou componentes adicionais não fornecidos nem autorizados pela Greenworks Tools Europe GmbH.

Garantia

Para solicitar uma garantia sobre qualquer produto coberto por esta política é necessário apresentar a prova de compra original. O comprovativo do cartão de crédito não constitui uma prova de compra suficiente. Em primeiro lugar, em caso de garantia, o consumidor deve devolver o produto no local original onde o comprou com a sua prova de compra. A máquina será enviada para as nossas instalações de serviço centrais, onde será feita uma inspeção. Caso se descubra que a máquina tem uma falha será reparada e enviada de volta para o endereço do consumidor sem qualquer custo. As máquinas que custem menos de 100 €, incluindo os impostos de vendas, costumam ser substituídas.

Se, nas instalações de serviço centrais se descobrir que a máquina não tem qualquer falha, será avisado o consumidor que tem de pagar o custo da reparação.

Esta política de garantia está sujeita a alterações periódicas para se adaptar às necessidades de novos produtos. Estará disponível uma cópia da última política e garantia em www.greenworkstools.eu



Greenworks Tools garantiebeleid voor doe-het-zelfmachine



Гарантийные обязательства компании Greenworks Tools в отношении агрегатов для дома и строительства

GARANTIETERMIJN

Al het nieuwe Greenworks Tools gereedschap wordt geleverd met een garantie van 2 jaar op onderdelen en werk vanaf de aankoopdatum. Een garantie van 30 dagen is beschikbaar voor machines die professioneel worden gebruikt, aangezien Greenworks Tools vooral ontworpen zijn voor doe-het-zelvers.

Deze garantie is niet overdraagbaar.

BEPERKINGEN

Deze garantie is uitsluitend van toepassing op defecte onderdelen en dekt geen herstellingen als gevolg van:

1. Normale slijtage.
2. Routine onderhoud of afstelling.
3. Schade veroorzaakt door foutieve handelingen/misbruik of verwaarlozing.
4. Oververhitting tengevolge van een gebrek aan onderhoud.
5. Schade tengevolge van verbinders/armaturen die los komen door een gebrek aan onderhoud.
6. Schade veroorzaakt door reiniging met water.
7. Machines die worden onderhouden of hersteld door niet-geautoriseerde Greenworks Tools onderhoudscentra.
8. Machines die foutief zijn gemonteerd of afgesteld.
9. Schade veroorzaakt door een foutief gebruik van de machine.
10. Schade veroorzaakt door foutieve voorbereidingen voor winterisering (hogedrukreiniger)
11. Voorwerpen die als verbruiksartikelen worden beschouwd, zijn normaal gezien niet door de garantie gedekt, met inbegrip van, maar niet beperkt tot:
 - Batterijen
 - Elektrische kabels
 - Zaagblad en bladonderdelen
 - Riemen
 - Filters
 - Boor- en gereedschaphouders
12. Bepaalde producten kunnen onderdelen bevatten, zoals motoren of transmissies van een andere fabrikant. Deze voorwerpen zijn onderworpen aan het overeenkomstige garantiebeleid van de fabrikant, behalve in de gevallen waar Greenworks Tools Europe GmbH ermee instemt om vorderingen te aanvaarden die zich buiten de garantieperiode van de respectievelijke fabrikant bevinden.
13. Tweedehandsartikelen zijn niet gedekt onder dit garantiebeleid.
14. Het monteren van vervang- of bijkomende onderdelen die niet door Greenworks Tools Europe GmbH worden geleverd of zijn goedgekeurd.

Garantie

Om in het kader van dit beleid een vordering voor een product in te dienen, is het noodzakelijk een bewijs van de originele aankoopbon of te leggen. Een kredietkaartafschrift geldt niet als voldoende aankoopbewijs. Bij een eerste garantie-incident dient de klant het product naar de originele aankoopplaats terug te brengen, voorzien van het aankoopbewijs. De machine wordt naar onze centrale onderhoudsdienst gestuurd, waar een inspectie wordt uitgevoerd. Indien wordt vastgesteld dat er een fout aan de machine aanwezig is, zal deze worden hersteld en gratis naar het adres van de klant worden teruggezonden. Machines met een verkoopprijs van minder dan €100, inclusief BTW, worden over het algemeen vervangen.

Als de centrale onderhoudsdienst vaststelt dat de machine geen fout bevat, wordt de klant op de hoogte gesteld van het feit dat hij de kosten van de herstelling dient te betalen.

Dit garantiebeleid is onder voorbehoud van wijzigingen om tegemoet te komen aan de noden van nieuwe producten. Een exemplaar van het meest recente garantiebeleid is beschikbaar op www.greenworkstools.eu.

СРОК ГАРАНТИИ

Все новые агрегаты поставляются, в случае домашнего использования, с 2-летней гарантией от первоначальной даты покупки на запчасти и работу по ремонту, и 1 год на аккумуляторные батареи и, в случае коммерческого использования, с гарантией 90 дней от первоначальной даты покупки на запчасти и работу по ремонту.

На профессиональную технику 80Вольт и аккумуляторные ручные инструменты 24Вольт (отвертки, дрели, лобзики, циркулярная пила, гайковерты, фонарик, мульти-устройство) действует гарантия в 1 год. Эта гарантия не подлежит передаче.

ОГРАНИЧЕНИЯ

Настоящая гарантия распространяется только на дефектные части / компоненты и не охватывает ремонт, который потребовался как следствие:

1. Нормального износа.
2. Плановой настройки или регулировки.
3. Ущерб, причиненный в результате неправильного обращения / ненадлежащего использования или пренебрежения.
4. Перегрев из-за отсутствия технического обслуживания.
5. Повреждения, вызванные разбалтыванием / отсоединением фитингов / крепежных деталей, из-за отсутствия технического обслуживания.
6. Повреждения, вызванные очисткой при помощи воды.
7. Агрегаты, обслуживание или ремонт которых проводился не авторизованными сервисными центрами компании GREENWORKS.
8. Агрегаты, неправильно собранные или отрегулированные.
9. Повреждения, вызванные неправильным использованием агрегата.
10. Ущерб, причиненный в результате неправильной подготовки к эксплуатации в зимний период (мощные устройства высокого давления).
11. Позиции, рассматриваемые в качестве расходимых деталей, и обычно не покрываемые гарантией, включая, но не ограничиваясь, следующими:
 - Электрические кабели
 - Ножи и режущие полотна
 - Ремни
 - Фильтры
 - Зажимные устройства и держатели инструмента
12. Подержанные товары не подпадают под данные гарантийные обязательства.
13. Установка запчастей, сменных деталей или дополнительных компонентов, которые не поставляются компанией Greenworks Tools Europe GmbH, или не утверждены этой компанией.

Гарантия

Чтобы подать заявку на гарантийное обслуживание какого-либо продукта в рамках данных гарантийных обязательств, требуется доказательство первоначальной покупки. Доказательство покупки включает в себя одно из,

- Квитанция розничного продавца
- Счет, подтверждающий покупку в Интернете
- Копия свидетельства о регистрации продукта

Продукт необходимо зарегистрировать на сайте:

www.greenworkstools.ru

Выписка по кредитной карте не считается достаточным доказательством покупки. В первую очередь, при возникновении гарантийного случая потребитель должен обратиться в авторизованный сервис, или к импортеру, указанных в инструкции, или на сайте www.Greenworkstools.eu с соответствующим доказательством покупки. Агрегат будет отправлен в наш центральный сервисный центр и там проведена проверка. Если будет установлено, что агрегат неисправен, то он будет бесплатно отремонтирован. Агрегаты, которые продаются в розницу менее чем за 7 000 рублей, включая налоги с продаж, как правило, подлежат замене. Если установлено, что агрегат не является не гарантийным случаем, то потребителю будет предложено оплатить ремонт.

Настоящие гарантийные обязательства подлежат периодическим изменениям, чтобы удовлетворить потребности новой продукции. Копия последней редакции гарантийных обязательств будет доступна на сайте www.greenworkstools.eu и на русскоязычной версии сайта www.greenworkstools.ru.

Адрес сервисной и гарантийной службы в России:

Горячая линия: +74997132292

Россия, Москва, 2-й Грайвороновский проезд 48

Техносервис

Проходная завода «Сатурн»

ИП Осипян

+74997132292



TAKUUKAUSI

Kaikkia uusilla Greenworks Toolsin laitteilla on 2 vuoden osa- ja valmistustakuu, joka alkaa alkuperäisenä hankintapäivänä. 30 päivän takuu myönnetään ammattikäyttöön hankituille laitteille, koska Greenworks Toolsin laitteet on suunniteltu ensisijaisesti TI-kuluttajille. Tätä takuuta ei voi siirtää.

RAJOITUKSET

Tämä takuu kattaa ainoastaan vialliset osat/komponentit, eikä se kata seuraavista seikoista aiheutuvia korjauksia:

1. Normaali kuluminen.
2. Rutiinomainen viritys tai säätö.
3. Virheellisen käsittelin/väärinkäytön/virheikäytön tai laiminlyönnin aiheuttamat vahingot.
4. Huollon puutteesta johtuva ylikuumentuminen.
5. Huollon puutteesta johtuvasta liittimien/kiinnikkeiden löystymisestä/irtaamisesta aiheutuvat vauriot.
6. Vedellä puhdistamisesta aiheutuvat vauriot.
7. Valtuuttamattomissa Greenworks Tools -huolloissa huolletut tai korjatut laitteet.
8. Virheellisesti kootut tai säädetyt laitteet.
9. Laitteen virheellisestä käytöstä johtuvat vahingot.
10. Virheellisestä talvivalmistelusta johtuvat vauriot (puskurijousen vaaheet).
11. Takuu ei tavallisesti kata tuotteita, joita pidetään kulutustarvikkeina, kuten mm. seuraavia:
 - akut
 - sähköjohdot
 - terät ja teräkokooppant
 - hinnat
 - suodattimet
 - istukat ja työkalupidikkeet
12. Tietyissä tuotteissa saattaa olla jonkun muun valmistajan komponentteja, kuten moottoreita tai voimansiirtolaitteita; tällaiset osat ovat asianmukaisen valmistajan takuukäytännön alaisia, paitsi silloin kun Greenworks Tools Europe GmbH suostuu hyväksymään vaatimukset mainitun valmistajan takuukauden ulkopuolella.
13. Tämä takuukäytäntö ei kata käytettyjä hankittuja tuotteita.
14. Sellaisten varaosien asentaminen, vaihtaminen tai lisääminen, joita Greenworks Tools Europe GmbH ei ole toimittanut tai hyväksynyt.

Takuu

Vaadittaessa takuuhoitoa mille tahansa tuotteelle tämän käytännön puitteissa on esitettävä alkuperäinen ostotosite. Luottokorttitiote ei riitä ostotositteeksi. Jos takuuun alainen tapahtuma ilmenee, kuluttajan tulee välittömästi palauttaa tuote alkuperäiseen hankintapaikkaan ostotosiiteen kanssa. Laitte lähetetään keskushuoltoomme, jossa se tarkistetaan. Jos laitteessa havaitaan vika, se korjataan ja lähetetään takaisin kuluttajan osoitteeseen veloituksetta. Laitteet, joiden jälleennyntiintä on alle 100 euroa (ml. ALV), tavallisesti vaihdetaan uuteen.

Jos keskushuollossa havaitaan, että laitteessa ei ole vikaa, asiasta ilmoitetaan kuluttajalle, ja hänen on katettava korjauskulut.

Tämä takuukäytäntö saattaa muuttua ajoittain kattamaan uusien tuotteiden vaatimukset. Tuorein takuukäytäntö on saatavilla osoitteessa www.greenworkstools.eu.

GARANTIPERIODI

Alla nya Greenworks Tools verktyg garanteras i 2 år gällande delar och sammansättning från ursprungligt inköpsdatum. Det finns en 30 dagars garanti för maskiner som används yrkesmässigt eftersom Greenworks Tools är primärt designade för användning av hobbykonsumenter. Denna garanti kan inte överlätas.

BEGRÄNSNINGAR

Denna garanti omfattar enbart defekta delar/komponenter och täcker inte reparationer på grund av:

1. Normalt slitage.
2. Regelbundet underhåll och justering.
3. Skada som uppkommit på grund av felaktig hantering/vanvård/missbruk eller försurmelse.
4. Överhettning på grund av uteblivet underhåll.
5. Skada på grund av att fasten/låsanordningar blivit lösa/har lossnat på grund av uteblivet underhåll.
6. Skada orsakad av rengöring med vatten.
7. Maskiner där underhålls- eller reparationsarbete har utförts av icke auktoriserat servicecenter för Greenworks Tools.
8. Maskiner som har monterats eller justerats felaktigt.
9. Skada på grund av felaktig användning av maskinen.
10. Skada på grund av felaktig vinterförvaring (högttrycksvätter)
11. Objekt som anses vara slitage- och förbrukningsdelar tomfattas normalt inte av garantin, inklusive utan begränsning:
 - Batterier
 - Strömkablar
 - Blad och bladanslutning
 - Remmar
 - Filter
 - Chuckar och verktygshållare
12. Vissa produkter kan innehålla komponenter som motorer, växellådor eller liknande från andra tillverkare. Sådana komponenter om fattas av respektive tillverkares garanti förutom då Greenworks Tools Europe GmbH samtycker till att hantera eventuella krav som ligger utanför ovannämnda tillverkares garantiperiod.
13. Begagnade varor omfattas inte av denna garanti.
14. Användning av reservdelar, utbytesdelar eller ytterligare komponenter som inte levererats eller godkänts av Greenworks Tools Europe GmbH.

Garanti

För garantikrav för någon produkt enligt denna garanti krävs bevis på ursprungligt inköp. Kredit-/betalningsutdrag gäller inte som inköpsbevis. I första skedet av ett garantikrav ska kunden returnera produkten till den ursprungliga inköpsplatsen tillsammans med inköpsbevis. Maskinen skickas till vår centrala serviceanläggning för inspektion. Om maskinen befinns vara felaktigt reparerar den och skickas tillbaka till kundens adress utan någon kostnad. Maskiner som kostar under 100 EUR inklusive moms byts oftast ut.

Om vår centrala serviceanläggning inte finner att maskinen är felaktig kommer kunden att meddelas vad deras kostnad blir för reparationen.

Denna garanti kan ändras från tid till annan av hänsyn till behov gällande nya produkter. En kopia av senaste garantin finns tillgänglig på www.greenworkstools.eu.



Greenworks Tools garantibetingelser for gjør-det-selv-maskiner

GARANTIPERIODE

Alle nye Greenworks Tools-maskiner dekkes av en 2-årig garanti for deler og arbeid beregnet fra kjøpsdato. En 30-dagers garanti er tilgjengelig for maskiner som brukes profesjonelt idet Greenworks Tools i hovedsak retter seg mot gjør-det-selv-forbrukere. Garantien kan ikke overføres.

BEGRENSNINGER

Denne garantien gjelder bare defekte deler/komponenter og dekker ikke reparasjoner på grunn av:

1. Normal slitasje.
2. Rutinemessige oppgraderinger eller justeringer.
3. Skader som følge av feilaktig bruk/misbruk eller vanskjøtsel.
4. Overoppvarming som følge av manglende vedlikehold.
5. Skade som følge av at festeanordninger løsner på grunn av manglende vedlikehold.
6. Skade som følge av rengjøring med vann.
7. Maskiner vedlikeholdt eller reparert av et verksted som ikke er autorisert av Greenworks Tools.
8. Maskiner som er feilaktig montert eller justert.
9. Skade som følge av feilaktig bruk av maskinen.
10. Skade som følge av feil vinterklargjøring (trykkskiver)
11. Deler som forbruksartikler dekkes normalt sett ikke av garantien, inkludert men ikke begrenset til:
 - Batterier
 - Elektriske ledninger
 - Kniver og knivenheter
 - Reimer
 - Filtre
 - Chucker og verktøyholdere
12. Visse produkter kan inneholde komponenter som motorer eller transmisjoner fra en annen produsent. Disse delene vil dekkes av garantien til vedkommende produsent unntatt der Greenworks Tools Europe GmbH er villig til å dekke krav utenfor nevnte produsents garantiperiode.
13. Bruktkjøpte produkter dekkes ikke av denne garantien.
14. Montering av reservedeler, erstatninger eller ekstra komponenter som ikke er levert eller godkjent av Greenworks Tools Europe GmbH.

Garanti

For å kunne kreve en at garantien gjøres gjeldende må eieren kunne framlegge originalkvittering for kjøpet. Utskrift av kredittkortavregning kvalifiserer ikke som tilfredsstillende bevis for kjøp. Dersom eieren krever at garantien gjøres gjeldende må produktet returneres til stedet hvor det ble kjøpt sammen med originalkvittering for kjøpet. Maskinen vil bli sendt til vårt sentrale serviceverksted og en inspeksjon foretatt. Hvis det fastslås at maskinen har en feil som dekkes av garantien vil den bli reparert og sendt tilbake til eieren kostnadsfritt. Maskiner med en utsalgspris på under €100 inkludert mva. vil generelt sett bli erstattet.

Hvis sentralverkstedet finner at maskinen har en feil som ikke dekkes av garantien vil eieren bli orientert om at de må selv betale for kostnadene ved en reparasjon.

Disse garantibestemmelsene vil kunne endres fra tid til annen for å være i overensstemmelse med nye produkter. En kopi av de nyeste garantibestemmelsene finnes på www.greenworkstools.eu.



Greenworks Tools garantipolitikk for gør det selv-maskiner

GARANTIPERIODE

Alle nye Greenworks Tools maskiner leveres med en 2-års garanti på dele og arbeidskraft fra den opprinnelige købsdato. En 30 dages garanti er tilgjengelig for maskiner, der anvendes profesjonelt, da Greenworks Tools primært er designet til brug af gør det selv-forbrugere. Denne garanti kan ikke videregives.

BEGRENSNINGER

Denne garanti gælder kun for defekte dele/komponenter og dækker ikke reparationer forårsaget af:

1. Normal slitage.
2. Rutinemæssig indstilling eller justering.
3. Skader forårsaget af forkert håndtering/misbrug/mishandling eller forsømmelse.
4. Overophedning på grund af manglende vedligeholdelse.
5. Skader forårsaget af løse/frakoblede fittings/lukkemechanismer, på grund af manglende vedligeholdelse.
6. Skader ved rengøring med vand.
7. Maskiner serviceres eller repareres af ikke-godkendte Greenworks Tools-service centre.
8. Maskiner samles eller justeres forkert.
9. Skader forårsaget af forkert brug af maskinen.
10. Skader forårsaget af forkert klargøring til vinter (højtryksspulere)
11. Genstande, der betragtes som forbrugsdele, dekkes normalt ikke af garantien, herunder men ikke begrænset til:
 - Batterier
 - Elkabler
 - Knive og knivmonteringer
 - Bånd
 - Filtre
 - Patroner og værktøjsholdere
12. Visse produkter kan indeholde komponenter såsom motorer, transmisjoner fra en anden producent, disse elementer vil være underlagt de relevante producenters garantipolitikk, undtagen hvor Greenworks Tools Europe GmbH accepterer at hæfte for ethvert erstatningskrav, uden for de nævnte producenters garantiperiode.
13. Brugte varer dækkes ikke af denne garantipolitikk.
14. Montering af reservedele, udskiftninger eller ekstra komponenter, der ikke er leveret eller godkendt af Greenworks Tools Europe GmbH.

Garanti

For at få en garanti på ethvert produkt under denne politik, kræves et originalt købsbevis. Kreditkortopgørelser betragtes ikke som tilstrækkeligt bevis for køb. Ved den første forekomst af en garantibegivenhed, skal forbrugeren returnere produktet til det oprindelige købssted med deres købsbevis. Maskinen sendes til vores centrale servicecenter og der udføres en kontrol. Hvis maskinen findes at være defekt, vil den blive repareret og sendt tilbage til forbrugernes adresse, uden gebyrer. Maskiner der sælges for mindre end €100 euro inklusiv moms, vil som regel blive erstattet.

Hvis det centrale servicecenter påviser, at denne maskine ikke er defekt, vil forbrugeren blive underrettet om, at de bliver nødt til at betale for omkostningerne i forbindelse med reparationen.

Denne garantipolitikk kan ændres fra tid til anden for at imødekomme behovene i nye produkter. En kopi af den seneste garantipolitikk vil være tilgængelig på www.greenworkstools.eu.



Zasady gwarancji firmy Greenworks Tools w zakresie urządzeń wykorzystywanych amatorsko

OKRES TRWANIA GWARANCJI

Wszystkie nowe urządzenia marki Greenworks Tools posiadają dwuletnią gwarancję na części i robociznę od dnia dokonania zakupu. W przypadku maszyn używanych w sposób profesjonalny, dostępna jest gwarancja 30-dniowa z uwagi na to, że narzędzia Greenworks Tools przeznaczone są przede wszystkim dla osób, które samodzielnie wykonują prace. Gwarancji nie można przenosić na inne osoby.

OGRANICZENIA

Gwarancja obejmuje wyłącznie uszkodzone części/komponenty i nie pokrywa napraw wynikłych z następujących przyczyn:

1. Normalne zużycie.
2. Rutynowa regulacja czy nastawa.
3. Uszkodzenia spowodowane przez nieprawidłową obsługę/nadmierną eksploatację/niewłaściwe użycie czy zaniedbanie.
4. Przerzgnięcia wskutek braku konserwacji.
5. Uszkodzenia spowodowane czyszczeniem elementów złącznych/mocujących wskutek braku konserwacji.
6. Uszkodzenia spowodowane czyszczeniem z użyciem wody.
7. Maszyny serwisowane lub naprawiane przez centra serwisowe nieautoryzowane przez Greenworks Tools.
8. Urządzenia nieprawidłowo zmontowane lub wyregulowane.
9. Uszkodzenia spowodowane przez nieprawidłowe użytkowanie maszyny.
10. Uszkodzenia spowodowane niewłaściwym przygotowaniem do warunków zimowych (myjki ciśnieniowe).
11. Elementy uznawane za materiały eksploatacyjne zwykle nie podlegają gwarancji, należą tu między innymi:
 - Baterie
 - Przewody elektryczne
 - Ostrza i zespoły ostrzy
 - Pasy
 - Filtry
 - Chwytki i uchwyty narzędziowe
12. Niektóre produkty mogą zawierać komponenty od innych producentów, jak silniki czy przekładnie, tego typu komponenty objęte są odpowiedzialnością gwarancją oferowaną przez ich producenta, z wyjątkiem, gdy firma Greenworks Tools Europe GmbH oferuje gwarancję po upływie okresu gwarancji zapewnianej przez producenta.
13. Towary używane nie są objęte niniejszą gwarancją.
14. Montaż części zapasowych, wymiennych lub komponentów dodatkowych, które nie są dostarczone lub zatwierdzone przez firmę Greenworks Tools Europe GmbH.

Gwarancja

Aby złożyć reklamację w ramach gwarancji obejmującej produkt, wymagane jest przedstawienie dowodu zakupu. Wyciąg z karty kredytowej nie jest uznawany za wystarczający dowód zakupu. W przypadku składania reklamacji z tytułu gwarancji po raz pierwszy, klient zobowiązany jest zwrócić produkt do miejsca dokonania zakupu z dołączonym dowodem zakupu. Maszyna zostanie przesłana do centrum serwisowego celem wykonania przeglądu. W przypadku stwierdzenia winy po stronie maszyny, zostanie ona naprawiona i następnie nieodpłatnie przesłana na adres klienta. Maszyny sprzedawane po cenie detalicznej poniżej 100 euro z podatkiem VAT są na ogół wymieniane.

W przypadku, gdy centrum serwisowe stwierdzi brak winy po stronie maszyny, wtedy klient ponosi koszty naprawy.

Niniejsza gwarancja podlega okresowym zmianom celem dostosowania do nowych produktów. Najnowszą kopię gwarancji można uzyskać na stronie www.greenworkstools.eu.



Záruční podmínky nástrojů Greenworks pro hobby zařízení

DOBA ZÁRUKY

Všechna nová zařízení Greenworks Tools jsou dodávána s 2letou zárukou na díly a provoz od původního data zakoupení. Záruka 30 dnů je poskytována na zařízení používaná profesionálně, protože nástroje Greenworks Tools jsou navrženy především k používání hobby spotřebiteli. Tato záruka je nepředviditelná.

OMEZENÍ

Tato záruka se vztahuje pouze na vadné díly nebo komponenty a netýká se oprav, které byly způsobeny:

1. Běžným opotřebením a nošením;
2. Rutinním seřizením a nastavením;
3. Škodami způsobenými nesprávnou manipulací, hrubým zacházením, nevhodným používáním nebo zanedbáním;
4. Přehřátím kvůli nedostatku údržby;
5. Poškozením z důvodu údržby, uvolnění upevňovacích prvků nebo rozpojením způsobeným nedostatečnou údržbou;
6. Poškozením způsobeným čišťením vodou;
7. Servisními pracemi nebo opravami zařízení neautorizovanými servisními středisky Greenworks Tools;
8. Nesprávným sestavením nebo nastavením zařízení;
9. Poškozením způsobeným nesprávným používáním zařízení;
10. Poškozením způsobeným nesprávnou přípravou na zimu (tlakové myčky).
11. Na položky, které jsou považovány za spotřební díly, se normálně nevztahuje záruka, včetně, ale nikoli výhradně na:
 - Baterie
 - Elektrické kabely
 - Čepele a sestavy čepele
 - Pásy
 - Filtry
 - Skličidla a držáky nástrojů
12. Některé produkty mohou obsahovat součásti, jako jsou motory, převodovky od alternativního výrobce. Na tyto položky se budou vztahovat záruční podmínky příslušného výrobce vyjma těch případů, kde společnost Greenworks Tools Europe GmbH souhlasí s tím, že se zaručí za veškeré nároky mimo záruku uvedeného výrobce.
13. Tyto záruční podmínky se nevztahují na použité zboží.
14. Záruka se nevztahuje na montáž náhradních dílů, výměnu nebo zvláštní komponenty, které nejsou dodávány nebo schváleny společností Greenworks Tools Europe GmbH.

Záruka

Nárokování záruky na výrobek v rámci těchto podmínek vyžaduje doklad o zakoupení. Výpis z kreditní karty se nepovažuje za dostatečný důkaz o zakoupení. Pokud nastane událost spojená s nárokováním záruky, v prvé řadě musí spotřebitel produkt vrátit do původního místa nákupu s dokladem o zakoupení. Zařízení bude zasláno do našeho centrálního servisního podniku, kde bude provedena jeho kontrola. Je-li zařízení vadné, bude bezplatně opraveno a zasláno zpět na adresu spotřebitele. Zařízení, jejichž maloobchodní cena byla menší nebo rovna 100 EUR včetně DPH, budou obvykle vyměněna.

Jestliže centrální servisní podnik zjistí, že stroj není vadný, pak bude spotřebitel na tuto skutečnost upozorněn a bude muset zaplatit za náklady na dopravu.

Tyto záruční podmínky se mohou čas od času změnit, aby vyhovovaly potřebám nových výrobků. Kopie nejnovějších záručních podmínek bude k dispozici na webu www.greenworkstools.eu.



Záručné zásady spoločnosti Greenworks Tools pre stroje pre domáce dielne

ZÁRUČNÁ DOBA

Všetky stroje spoločnosti Greenworks Tools sa dodávajú s 2-ročnou zárukou na diely a vypracovanie od dátumu zakúpenia. Pre stroje používané profesionálne je dispozíciou je 30-dňová záruka, keďže stroje Greenworks Tools sú určené primárne na použitie zákazníkmi v domácich dielnach.

Táto záruka je neprenosná.

OBMEDZENIA

Táto záruka platí len na chybné diely/komponenty a nepokrýva opravy dôsledkom:

1. Bežného opotrebovania.
2. Bežného nastavovania alebo úprav.
3. Škôd v dôsledku nesprávnej manipulácie/zlého zaobchádzania/nesprávneho použitia alebo nedbalosti.
4. Prehriatia v dôsledku nedostatočnej údržby.
5. Škôd v dôsledku uvoľnenia/odpojenia armatúr/upínadiel pri nedostatočnej údržbe.
6. Škôd spôsobenými čistením vodou.
7. Strojov servisovaných alebo opravovaných v servisných centrách neautorizovaných spoločnosťou Greenworks Tools.
8. Strojov nesprávne zmontovaných alebo nastavených.
9. Škôd spôsobených nesprávnym používaním stroja.
10. Škôd spôsobených nesprávnym otužovaním (tlakové podložky)
11. Položky považované za spotrebné diely nie sú bežne pokryté touto zárukou, napríklad:
 - Akumulátory
 - Elektrické káble
 - Ostria a zostavy ostrí
 - Remene
 - Filtre
 - Skľučovadlá a držiaky nástrojov
12. Určité produkty môžu obsahovať komponenty, napríklad motory, prevodovky od alternatívneho výrobcu a tieto položky budú podliehať záručným podmienkam príslušného výrobcu, okrem prípadov, kedy spoločnosť Greenworks Tools Europe GmbH súhlasí, že prijíma akékoľvek nároky mimo uvedenej záručnej doby výrobcu.
13. Tovary z druhej ruky nie sú pokryté týmito záručnými podmienkami.
14. Inštalácie náhradných dielov alebo extra komponentov, ktoré nie sú dodané alebo schválené spoločnosťou Greenworks Tools Europe GmbH.

Záruka

Na nárokovanie si záruky na ľubovoľný produkt podľa týchto podmienok je potrebný originál dokladu o zakúpení. Výpis z kreditnej karty nie je dostatočný doklad o zakúpení. Pri prvom výskyte záručnej udalosti musí zákazník vrátiť produkt na pôvodnom mieste zakúpenia s príslušným dokladom o zakúpení. Stroj bude odoslaný do nášho centrálného servisného zariadenia a bude vykonaná kontrola. Ak sa zistí, že je stroj chybný, bude bezplatne opravený a odoslaný späť na adresu zákazníka. Všeobecne platí, že stroje, ktoré stoja menej ako 100 € vrátane DPH, budú vymenené.

Ak centrálné servisné zariadenie zistí, že stroj nie je chybný, zákazníkovi bude oznámené, že musí zaplatiť náklady opravy.

Tieto záručné podmienky sa môžu občas zmeniť ako prispôbenie potrebám našich nových produktov. Kópia najnovších záručných podmienok sa nachádza na adrese www.greenworkstools.eu.



Garancija podjetja Greenworks Tools za naprave za neprofesionalne uporabnike

GARANCIJSKI ROK

Vse nove naprave znamke Greenworks Tools imajo 2-letno garancijo za nadomestne dele in delo od prvotnega datuma nakupa. Na voljo je 30-dnevna garancija za naprave, ki se jih uporablja profesionalno, saj so naprave Greenworks Tools zasnovane predvsem za neprofesionalne uporabnike.

Ta garancija ni prenosljiva.

OMEJITVE

Ta garancija velja le za okvarjene dele/komponente in ne pokriva popravil, potrebnih zaradi:

1. Običajne obrabe.
2. Rutinske uravnave ali prilagoditve.
3. Škode zaradi nepravilnega ravnanja/zlorabe/napačne rabe ali zanemarjanja.
4. Pregretja zaradi pomanjkljivega vzdrževanja.
5. Škode, ki so jo povzročile napeljave ali zaponke, zrahljane/odpadle zaradi pomanjkljivega vzdrževanja.
6. Škode, ki jo je povzročilo čiščenje z vodo.
7. Servisa ali popravila naprav na servisih, ki niso pooblaščenimi servisi podjetja Greenworks Tools.
8. Napačno sestavljenih ali prilagojenih naprav.
9. Škode zaradi nepravilne uporabe naprave.
10. Škode zaradi nepravilne priprave na zimo (tlačni čistilniki).
11. Delov, ki veljajo za potrošne, garancija običajno ne krije, kar med drugim vključuje:
 - baterije
 - električne kable
 - rezila in sklope rezil
 - jermene
 - filtre
 - vpenjala in orodna držala.
12. Določeni izdelki lahko vključujejo komponente, kot so motorji ali prenose moči drugega proizvajalca. Za te dele velja ustrezna garancija proizvajalca, razen v primerih, ko podjetje Greenworks Tools Europe GmbH soglaša, da bo krilo morebitne reklamacije zunaj garancijskega obdobja drugega proizvajalca.
13. Ta garancija ne krije rabljene opreme.
14. Nameščenja rezervnih, nadomestnih ali dodatnih komponent, ki jih ne dobavi ali odobri podjetje Greenworks Tools Europe GmbH.

Garancija

Za uveljavljanje garancije za vsak izdelek, ki ga krije ta garancijski list, je potrebno potrdilo o prvotnem nakupu. Izpisek plačil s kreditno kartico ne velja za potrdilo o nakupu. Pri prvem primeru uveljavljanja garancije mora potrošnik izdelek skupaj s potrdilom o nakupu vrniti na kraj nakupa. Naprava bo poslana v naše servisno središče, kjer jo bodo pregledali. Če je ugotovljeno, da gre za tovarniško napako, bodo napravo brezplačno popravili in vrnili na potrošnikov naslov. Naprave, ki se skupaj s prometnim davkom prodajajo za manj kot 100 EUR, bodo običajno zamenjane.

Če v servisnem središču ugotovijo, da ne gre za tovarniško napako, bodo potrošniku sporočili, da bo moral plačati stroške popravila.

Ta garancija se lahko občasno spreminja zaradi izpolnjevanja potreb novih izdelkov. Izvod najnovejše garancije bo dostopen na naslovu www.greenworkstools.eu.



RAZDOBLJE JAMSTVA

Svi novi strojevi tvrtke Greenworks Tools isporučeni su s jamstvom od 2 godine na dijelove i rad od datuma kupovine. Jamstvo od 30 dana dostupno je za strojeve koje su profesionalno koristite kao Greenworks Tools jer su primarno namijenjeni za korištenje od strane DIY korisnika. Ovo jamstvo se ne može prenijeti.

OGRANIČENJA

Ovo jamstvo primjenjuje se samo na oštećene dijelove/komponente i ne pokriva popravke zbog:

1. Normalnog trošenja i habanja.
2. Rutinskog podešavanja.
3. Oštećenja uzrokovanih nepravilnim rukovanjem/zloupotrebom/pogrešnom upotrebom ili nemarom.
4. Pregrijavanjem zbog lošeg održavanja.
5. Oštećenja zbog toga jer privrtni elementi postanu labavi/odspojeni zbog slabog održavanja.
6. Oštećenja uzrokovanih čišćenjem s vodom.
7. Servisiranja strojeva ili popravaka od strane servisnih centara koji nisu ovlašteni od tvrtke Greenwork Tools.
8. Strojevi su nepravilno sklopjeni ili počešeni.
9. Oštećenja uzrokovanih nepravilnim korištenjem stroja.
10. Oštećenja uzrokovanih nepravilnom vinterizacijom (tlačne podloške)
11. Stavke koje se smatraju potrošnim dijelovima nisu pokrivena jamstvom, uključujući no ne ograničavajući se na:

- Baterije
- Električne kabele
- Oštrice i sklopove oštrica
- Remene
- Filtere
- Glave i držače alata

12. Određeni proizvodi mogu sadržavati komponente poput motora, prijenosa od drugog proizvođača, ove stavke bit će predmet odgovarajućeg jamstva proizvođača osim gdje se tvrtka Greenworks Tool Europe GmbH slaže potpisati bilo kakve tvrdnje izvan navedenog jamstvenog roka proizvođača.
13. Rabljena dobra nisu pokrivena ovim jamstvom.
14. Rezervni privrtni elementi, zamjenske ili dodatne komponente koje nisu isporučene ili odobrene od strane tvrtke Greenworks Tools Europe GmbH.

Jamstvo

Za potvrdu jamstva na bilo koji proizvod pod ovom izjavom potreban je dokaz originalne kupovine. Izvadak od kreditne kartice nije dovoljan za dokaz o kupovini. Na prvoj instanci kada dođe do korištenja jamstva korisnik treba vratiti proizvod na mjesto kupovine proizvoda s dokazom o kupovini. Stroj treba poslati u naš centralni servis i izvršiti provjeru. Ako se pronade da je stroj u kvaru bit će popravljen i vraćen natrag na adresu korisnika bez naknade. Strojevi čiji je popravak manji od 100 eura uključujući prezeze općenito se zamjenjuju.

Ako centralni servis pronade da stroj nije u kvaru, korisnik plaća trošak popravka.

Ovo jamstvo podložno je promjeni kako bi se uskladilo s potrebama proizvoda. Kopija najnovijeg jamstva dostupna je na stranici www.greenworkstools.eu.

SZAVATOSSÁGI IDŐ

Minden új Greenworks Tools gép a vásárlás dátumától számított 2 éves, az alkatrészekre és a kivitelezésre vonatkozó jótállással rendelkezik. A professzionális célra használt gépekre 30 napos jótállás vonatkozik, mivel a Greenworks Tools gépek elsődlegesen a barkácsoló fogyasztók számára készültek.

Ez a jótállás nem ruházható át.

KORLÁTOZÁSOK

Ez a jótállás csak a hibás alkatrészek/részegységekre vonatkozik, és nem vonatkozik a következők miatt javításokra:

1. Normál kopás és elhasználódás.
2. Rutin finomhangolás és beállítás.
3. Nem megfelelő kezelés/rongálás/helytelen használat vagy hanyagság okozta károsodás.
4. Karbantartás hiánya miatti túlmelegedés.
5. A szerelvények/kötőelemek karbantartás hiánya miatti kilazulása/leválása okozta károsodás.
6. Vízzel való tisztítás okozta károsodás.
7. Nem hivatalos Greenworks Tools szervizközpontokba szervizelt vagy javított gépek.
8. Rosszul összeszerelt vagy beállított gépek.
9. A gép helytelen használata okozta károsodás.
10. Helytelen télielítés okozta károsodás (magasnyomású mosók)
11. A fogóalkatrésznek tekintett elemekre nem vonatkozik a jótállásba, különösen, de nem kizárólag beleértve a következőket:

- Akkumulátorok
- Elektromos kábelek
- Kések és késszerelvények
- Szjgak
- Szűrők
- Tokmányok és szerszámtartók

12. Bizonyos termékek tartalmazhatnak bizonyos összetevőket, pl. egy másik gyártótól származó motorokat, hajtóműveket, amelyekre a megfelelő gyártó jótállása vonatkozik, kivéve, ha az Greenworks Tools Europe GmbH beleegyezik, hogy átvállal az említett gyártó jótállási időtartamán kívüli feltételeket.

13. A használt termékekre a jelen garancia nem terjed ki.
14. Pótalkatrészek, cserealkatrészek vagy extra részegységek felszerelése, amelyeket nem a Greenworks Tools Europe GmbH szállított, illetve nem hagyott jóvá.

Jótállás

Bármely termékkel kapcsolatos bármilyen jótállás igényléséhez szükség van a vásárlás igazolására. A hitelkártya-kivonat nem elegendő a vásárlás igazolására. Az első jótállási eseménykor a fogyasztónak a vásárlást igazoló dokumentummal együtt vissza kell vinnie a terméket a vásárlás helyére. A gépet elszállítjuk a központi szervizéleteményünkbe, ahol átvizsgáljuk. Ha a gép meghibásodása a jótállás hatálya alá tartozik, megjavítjuk, és a javítása után ingyenesen visszaküldjük a fogyasztó címére. Az addókkal együtt 100 eurónál kisebb értékű gépeket általában kicseréljük.

Ha a központi szervizéleteményben kiderül, hogy a gép meghibásodására a jótállás nem vonatkozik, felhívjuk a fogyasztó figyelmét, hogy fizesse ki a javítás költségét.

Ezen jótállási feltételek időről időre változhatnak, hogy megfeleljen az új termékek igényeinek. A jótállási feltételek legfrissebb másolata megtalálható a www.greenworkstools.eu webhelyen.



Политика de гаранție a uneltelor Greenworks pentru aparate de bricolaj

PERIOADA DE GARANȚIE

Toate aparatele noi Greenworks Tools sunt furnizate cu o garanție a pieselor și de lucru de 2 ani de la data achiziționării. O garanție de 30 de zile este disponibilă pentru aparatele folosite în mod profesional întrucât aparatele Greenworks Tools sunt proiectate în principal a fi folosite de consumatori pentru lucrări de bricolaj. Această garanție nu este transferabilă.

LIMITĂRI

Această garanție se aplică doar la piesele/componentele defecte și nu acoperă reparațiile datorate:

1. Uzurii și folosiri normale.
2. Reglării sau ajustării de rutină.
3. Deteriorării cauzate de manipularea incorectă/abuzul/intrebuintărea greșită sau neglijenței.
4. Supraîncălzirii datorate lipsei de întreținere.
5. Deteriorării datorate slăbirii/desprinderii prin lipsa întreținerii a garniturilor/șuruburilor.
6. Deteriorării cauzate de curățarea cu apă.
7. Aparatelor servitate sau reparate la centre service neautorizate de Greenworks Tools.
8. Aparatelor incorect asamblate sau reglate.
9. Deteriorării cauzate de folosirea necorespunzătoare a aparatului.
10. Deteriorării cauzate de pregătirea necorespunzătoare pentru iarnă (aparate de spălat cu presiune)
11. Articolelor considerate ca fiind piese consumabile și care în mod normal nu sunt acoperite de garanție, incluzând dar nelimitându-se la:

- Acumulatori
- Cabluri electrice
- Lame și ansamblu de lame
- Curele
- Filtre
- Mandrine și suporturi unelte

12. Anumite produse pot conține componente precum motoare, transmise și de la alți producători, aceste articole vor fi subiect a politicii de garanție a acelor producători, cu excepția cazului când Greenworks Tools Europe GmbH este de acord să subscrie orice pretenții în afara perioadei de garanție a producătorului menționat.
13. Bunurile la mâna a doua nu sunt acoperite de această politică de garanție.
14. Fixarea pieselelor de schimb, înlocuirea sau extra componentelor ce nu sunt furnizate sau aprobate de Greenworks Tools Europe GmbH.

Garanție

Pentru a revendica garanția asupra oricărui produs sub această politică este necesară o dovadă originală de achiziționare. Extrasul cardului de credit nu se califică a fi o dovadă suficientă de achiziționare. În cazul primei revendicări a garanției consumatorul trebuie să returneze produsul la locul original de achiziționare cu dovada de achiziție. Aparatul va fi trimis la centrul nostru service și va avea loc o inspecție a lui. Dacă aparatul se dovedește a fi defect va fi reparat și trimis la adresa consumatorului fără nicio taxă. Aparatele care în comerț costă mai puțin de 100 € incluzând taxele de vânzare, în general vor fi înlocuite.

Dacă service-ul central găsește că aparatul nu este defect din cauza lui, atunci consumatorul va fi anunțat că va trebui să plătească costul reparației.

Această politică de garanție se supune schimbării periodic pentru a se potrivi cu nevoile noilor produse. O copie a politicii de garanție cea mai recentă va fi disponibilă la www.greenworkstools.eu.



Гаранционни правила на Greenworks Tools за самоделни машини

ПЕРИОД НА ГАРАНЦИЯТА

Всички машини на Greenworks Tools се предоставят с 2-годишна гаранция за сервизна дейност и резервни части, считано от датата на закупуване на продукта. Предоставя се само 30-дневна гаранция за професионално използваните машини, защото продуктите на Greenworks Tools са предназначени предимно за клиенти, работещи със самоделни машини. Настоящата гаранция не може да се прехвърля.

ОГРАНИЧЕНИЯ

Настоящата гаранция е валидна само за дефектни части/компоненти и не покрива ремонти, породени от:

1. Нормално износване и амортизация.
2. Рутинни настройки или дейности по регулиране.
3. Повреди, причинени от неправилно боравене/злоупотреба/грешно използване или проява на небрежност.
4. Прегряване поради лоша поддръжка.
5. Повреди поради разхлабени/разкачени снажди или скрепителни елементи в следствие на лоша поддръжка.
6. Повреди, причинени в следствие на почистване с вода.
7. Машини, обслужвани или ремонтирани от сервизни центрове, които не са оторизирани от Greenworks Tools.
8. Машини, които са сглобени или регулирани неправилно.
9. Повреди, породени от неправилно боравене с машината.
10. Повреди, породени от неправилно зазимяване (водоструйки)
11. Елементи, които се считат за консумативи, но обикновено не се покриват от гаранцията, включително (но не само):

- Батерии
- Електрически кабели
- Остриета и комплекти остриета
- Ремъци
- Филтри
- Патроними и държачи за инструменти

12. Някои продукти могат да съдържат компоненти (например двигатели, трансмисии) от други производители – за тези елементи са в сила гаранционните условия на съответния производител освен в случаите, когато Greenworks Tools Europe GmbH се съгласи да покрие щетите, които не се покриват от гаранционния период на този производител.
13. Стоки втора употреба не се покриват от настоящата гаранция.
14. Монтирането на резервни части, заместващи или допълнителни компоненти, които не са предоставени или одобрени от Greenworks Tools Europe GmbH.

Гаранция

За предявяване на гаранционен иск за даден продукт трябва да се предостави доказателство за първоначалното му закупуване.

Извличането от кредитни карти не представлява валидно доказателство за закупуване. При първото възникване на условие, позволяващо предявяване на гаранционен иск, клиентът трябва да занесе продукта на мястото на неговото първоначално закупуване, където трябва да предостави доказателство за закупуването. Машината ще бъде изпратена до нашия главен сервизен център, където ще бъде извършена инспекция. Ако се установи фабричен дефект по машината, тя ще бъде безплатно ремонтирана и изпратена обратно на адреса на клиента. Машините на пазарна стойност под 100 евро (вкл. данък продажба) обикновено ще бъдат подменяни с нови.

Ако нашият главен сервизен център не установи фабрични дефекти по машината, клиентът ще бъде уведомен, че той ще трябва да заплати разходите по ремонта на продукта.

Настоящите гаранционни правила могат да бъдат променени периодично, за да бъдат актуално адаптирани към новите продукти. Копие на най-актуалните гаранционни правила е налично на адрес www.greenworkstools.eu.



Greenworks Tools Kendin Yap Makineleri Garanti Poliçesi

GARANTI SÜRESİ

Tüm yeni Greenworks Tools makineleri orijinal satın alma tarihinden itibaren 2 yıllık parça ve işçilik garantisi ile birlikte temin edilir. Greenworks Tools ürünleri esas itibarıyla Kendin Yap tüketicileri tarafından kullanılmak üzere tasarlandığından profesyonel olarak kullanılan makineler için 30 günlük garanti mevcuttur. Bu garanti devredilemez.

SINIRLAMALAR

Bu garanti sadece kusurlu parçalar/bileşenler için geçerlidir ve aşağıdakilerden kaynaklanan onarım çalışmalarını kapsamaz:

- 1.Normal aşınma ve yıpranma.
 - 2.Rutin ince ayar ve ayarlama.
 - 3.Hatalı taşıma/suistimal/yanlış kullanım veya ihmalden kaynaklanan hasar.
 - 4.Eksik bakım nedeniyle aşırı ısınma.
 - 5.Eksik bakım nedeniyle tespit elemanlarının/sabitlene elemanlarının gevşemesinden kaynaklanan hasar.
 - 6.Su ile temizlik nedeniyle meydana gelen hasar.
 - 7.Yetkili olmayan Greenworks Tools servis merkezleri tarafından servisi veya onarımı yapılan makineler.
 - 8.Yanlış monte edilmiş veya ayarlanmış makineler.
 - 9.Makinenin hatalı kullanımından kaynaklanan hasar.
 - 10.Hatalı kiş hazırlığından (basınçlı yıkayıcılardan) kaynaklanan hasar.
 - 11.Bunlarla sınırlı olmamakla birlikte aşağıdakiler de dahil olmak üzere sarf malzemesi olarak değerlendirilen parçalar normal şartlarda garanti kapsamına dahil değildir:
- Piller
 - Elektrik kabloları
 - Bıçak ve bıçak düzenekleri
 - Kayışlar
 - Filtreler
 - Kovanlar ve alet tutucular
- 12.Belirli ürünler alternatif bir üreticiden temin edilmiş motorlar, şanzımanlar gibi bileşenler içerebilir, bu parçalar Greenworks Tools Europe GmbH'nin söz konusu üreticinin garanti süresi dışında her tür hak talebini üstlenmeyi kabul ettiği durumlar hariç uygun üretici garanti poliçesine tabidir.
 - 13.İkinci el mallar bu garanti poliçesi kapsamına dahil değildir.
 - 14.Greenworks Tools Europe GmbH tarafından temin edilmemiş veya onaylanmamış yedek parçaların, ikame parçaların veya ilave parçaların takılması.

Garanti

Bu poliçe kapsamında herhangi bir ürüne ilgili garanti talebinde bulunmak için orijinal satın alma kanıtının sunulması gerekir. Kredi kartı ekstresi yeterli satın alma kanıtı olarak değerlendirilmez. Garantinin kullanılacağı durumlarda öncelikle tüketici ürünü satın alma kanıtı ile birlikte satın aldığı yere iade etmelidir. Makine merkez servisi tesisimize gönderilir ve bir inceleme yapılır. Eğer makinenin arızalı olduğu tespit edilirse ücretsiz olarak onarılacak ve tüketicinin adresine geri gönderilecektir. Satış vergileri de dahil 100 €'nun altında perakende olarak satılan makinelerde genellikle değişim yapılacaktır.

Eğer merkez servisi tesisimiz makinede arıza tespit edemezse tüketiciye onarım masrafını ödemesinin gerekeceği bildirilecektir.

Bu garanti poliçesi yeni ürünlerin ihtiyaçlarını karşılamak için zaman zaman değiştirilebilir. En son garanti poliçesinin bir kopyasına www.greenworkstools.eu adresinden ulaşılabilir.



תונוכמ רובע Greenworks Tools לש תורחאה תוינידמ "למצעב תאז השע"

תורחאה תפוקת

תורחא מע לעפמה תועימ Greenworks Tools תרוצתמ תושדחה תונוכמה לכ לש תורחא תמייק. ירוקמה השיכרה ירואתמ לחה הדובעהו מיקלה לע ביתנש לש תודעומי Greenworks Tools-ש תויה, יעוצקמ שומיש רוב השענש תונוכמ על מיי 30 "למצעב תאז השע" תטישב מניכר ידי לע יקדיב שומישל הרבעלה תנתינ אלו תורחא.

תולבגמ

מ: האצותכ מישדרנה מיקותי הסכמ אלו מיווגפ מייכר/מיקלח לע קר הלח זו תורחא ילמרוג שומיש מיקזנו מיקחש.

- 1.תירגש ונווכ.
 - 2.החנה או הערל שומיש/מיתאמ יתלב לופיטמ האצותכ סרגש קזג.
 - 3.הקזחחב רסוחמ האצותכ רחי תוממחחה.
 - 4.הקזחחת רסוח לשב מיקדמה/מיתאמ לש קותנתה או תורחתשה האצותכ קזג.
 - 5.מיב יקוימ האצותכ סרגש קזג.
 - 6.Greenworks Tools מעטמ השרומ וניאש סרוג ידי לע ונקות או ולפוטש תונוכמ.
 - 7.יגש פואב ונווכ או ובכרוהש תונוכמ.
 - 8.תונוכמ סלוה יתלב שומיש האצותכ סרגש קזג.
 - 9.חץלב הפיטש ינקתמ) רוחל היקל הנכה האצותכ סרגש קזג.
 - 10.תורחאה תרגסמ לכ לרדב מסיכום מניא מילכתמ מיקלחל מישתש מייסר.
 - 11.קרא לא יק אר הנובר:
- תולוס
 - למשח ילככ
 - מיהלה ילולכ מיהל
 - תועוצר
 - מניסמ
 - מיל יקזחמו תוינספת

רחא ורצ'י תרוצתמ תורסמ או מיעונמ וגכ מייכר ליכהל מיישע מירצומהמ קלח. Greenworks Tools Europe GmbH מא טעמל ורצ'י ותוא לש תורחאה תרגסמ מסיכומה ורצ'י ותוא לש תורחאה תרגסמ תוללכנ וניאש תועיבת לפטל המייסמ Greenworks Tools Europe GmbH. זו תורחא תוינידמ מסיכום מניא הינש דמי ויבט. ורשא אלש או תנוכמ מירוצמ מניא מייכר או פוליח יקלח לש הנקתה. Greenworks Tools Europe GmbH ידי לע

תורחא

ולש ונבשח יפד. תירוקמ השיכר תחוכה איצמהל שי זו תורחא תרגסמ העיבתל עוריאש הנושארה מעפכ. השיכרל תקספמ תחוכהל מישתש אל יארשא יסיטר הבש תונחל רצומה תא ריזחלה וכרזה לע, שחרתמ תורחאה תרגסמ תונוכמה יזכרמה תורישה וקתמל חלשית תונוכמה. השיכרה תחוכה מע דחי ותוא שכר אוה תולע אלל חלשית וקתמל איה, תלקלוקמ תונוכמה כי אצממ סא. הקדיב רוצל ונשל ללוכ וריא 100-מ רוגמ יאנעמקה וירחשמ תונוכמ, ללכ לרדב. וכרזה תבותכל הרחב ופלחו מ"עמ

רק לע העדה לבקי וכרזה, תונוכמה הלקת ויא כי ורובאמ יזכרמה תורישה וקתמ מא וקיתנה תולע תא מלשל ויליעש.

מישדח מירצומל מיתאהל ידכ מעפל מעפל מיישולש הנותנ זו תורחא תוינידמ www.greenworkstools.eu תבותכ תורחאהל לש וקדעומה קתנהל אומנל וניו.



GARANTIJOS LAIKOTARPIS

Visi nauji „Greenworks Tools“ įrenginiai yra tiekiami su 2 metų garantija dalims ir darbu, kuri galioja nuo pradinio įsigijimo dienos. Jeigu įrenginiai naudojami profesionaliam darbui, jiems galioja 30 dienu garantija, nes „Greenworks Tools“ gaminiai yra skirti visų pirma buitiniams naudotojams. Ši garantija yra neperduodama.

APRIBOJIMAI

Ši garantija galioja tik defektuotoms dalims ar komponentams ir nėra taikoma remontui, kurio prieikia dėl:

1. įprasto nusidėvėjimo;
2. rutininio derinimo ar reguliavimo;
3. žalos, kuri buvo padaryta netinkamai kilnojant, naudojant, piktnaudžiaujant arba elgiantis aplaidžiai,
4. įrenginui perkaitus dėl techninės priežiūros stokos;
5. žalos, kuri atsirado atsipalaidavus arba atitrūkus detalėms ar tvirtinimo elementams, nes nebuvo atliekama techninė priežiūra;
6. žalos, kuri buvo padaryta plaunant vandeniui;
7. įrenginių priežiūros arba remonto darbus atliko asmenys, kurie nėra įgalioti „Greenworks Tools“ serviso centrai;
8. netinkamo įrenginių surinkimo arba reguliavimo;
9. žalos, kuri buvo padaryta netinkamai naudojant įrenginį;
10. žalos, kuri buvo padaryta dėl netinkamo paruošimo žiemai (slėginiai plautuvai).
11. Dalykams, kurie laikomi vartojimo reikmenimis, garantija paprastai netaikoma, o tokiais reikmenimis be kita ko laikomi:

- akumulatoriai;
- elektros laidai;
- ašmenys ir ašmenų komplektai;
- diržai;
- filtrai;
- griebtuvai ir įrankių laikikliai.

12. Tam tikrose gaminiuose gali būti komponentų, pavyzdžiui, variklių ar transmisijų, kuriuos pagamino kitas gamintojas. Šiems komponentams bus taikomos atitinkamo gamintojo garantinės taisyklės, išskyrus tuos atvejus, kai „Greenworks Tools Europe GmbH“ sutinka apsiimti nagrinėti pretenzijas, pateiktas ne per minėto gamintojo garantinį laikotarpį.
13. Ši garantija nėra taikoma perparduotiems gaminiams.
14. Garantija nėra taikoma sumontuotoms atsarginėms, pakaitinėms arba papildomoms dalims, kurių „Greenworks Tools Europe GmbH“ netiekia arba nėra patvirtinusi.

Garantija

Norint pagal šias taisykles pateikti garantinę pretenziją dėl bet kurio gaminio, būtina pateikti šio gaminio pirminio įsigijimo įrodymą. Kredito kortelį išrašai nėra laikomi pakankamu įsigijimo įrodymu. Pirmą kartą įvykus garantiniam įvykiui, pirkėjas turi grąžinti gaminį į pirminio įsigijimo vietą ir pateikti įsigijimo įrodymą. Įrenginys bus nusiųstas į mūsų pagrindinį serviso centrą ir ten jis bus patikrintas. Jeigu bus nustatyta, kad įrenginys turi defektą, jis bus nemokamai suremontuotas ir pristatytas pirkėjo adresu. Įrenginiai, kurių mažmeninės prekybos kaina kartu su pardavimo mokesčiais neviršija 100 eurų, paprastai yra pakeičiami naujais.

Jeigu pagrindinis serviso centras nustatys, kad įrenginys garantinių defektų neturi, tuomet pirkėjui bus pasiūlyta suremontuoti įrenginį už atitinkamą kainą.

Šios garantijos taisyklės laikui einant gali būti keičiamos, kad derintųsi su naujų gaminių ypatumais. Naujausią garantijos taisyklių versiją visada galima rasti adresu www.greenworkstools.eu.

GARANTIJOS PERIODS

Visas Greenworks Tools ierčes ir piegādātas ar 2 gadu garantiju daļām un aprīkojumam, sākot no legādēs datuma. Profesionāli izmantotajām Greenworks Tools ierčēm ir 30 dienu garantija, jo tās ir galvenokārt paredzētas izmantošanai DIY patērētājiem. Garantija nav nododama tālāk.

IEROBEŽOJUMI

Šī garantija attiecas tikai uz bojātām daļām/komponentēm un neattiecas uz labojumiem saistībā ar:

1. Normāls nolietojums un pīlsumi.
2. Ikdienas saskaņošana un pielāgošana.
3. Bojājumi, kurus izraisījusi nepareiza apiešanās/jaunprātīga izmantošana/nepareiza lietošana vai nolaidība.
4. Pārkaršana apkopes neveikšanas dēļ.
5. Bojājumi, kas radušies tādēļ, ka pielāgojumi/stiprinājumi kļuvuši vajīgi/atvienojušies apkopes neveikšanas dēļ.
6. Bojājumi, kas radušies tīrot ar ūdeni.
7. Ierčes apkopi vai labošanu veikuši Greenworks Tools neapstiprināti centri.
8. Ierčes nepareizi uzstādītas vai pielāgotas.
9. Bojājumus izraisījusi ierčes nepareiza lietošana.
10. Bojājumus izraisījusi ierčes nepareiza iezīemošana (spiediena mazgātājiem).
11. Sastāvdaļas, kas uzskatāmas par patīgmatēriāliem parasti nesēdz garantiju, tai skaitā, bet neaprobežojoties ar:
 - akumulatori
 - elektrības vadi
 - asmens un tā sastāvdaļas
 - siksnas
 - filtri
 - plates un instrumentu turētāji
12. Noteiktas preces var saturēt komponentes kā dzinējus, transmisijas no dažādiem ražotājiem, šīs sastāvdaļas attieksies uz attiecīgā ražotāja garantijas politiku, izņemot, ja Greenworks Tools Europe GmbH piekrit izskatīt sūdzības ārpus ražotāja garantijas perioda.
13. Šī garantijas politika neattiecas uz lietotām precēm.
14. Greenworks Tools Europe GmbH nepiegādātu un neapstiprinātu rezerves, aizstājēj vai papildu komponentu pielāgošana.

Garantija

Lai izvirzītu prasību par garantiju ikvienai precei saskaņā ar šo politiku, nepieciešams oriģināls pirkuma pierādījums. Kredītkartes pārskats nav uzskatāms par atbilstošu pirkuma pierādījumam. Pirmajā reizē, kad notiek ar garantiju attiecināms gadījums, preces lietotājam tā jāatgriež oriģinālajā pirkuma vietā, kopā ar pirkuma pierādījumu. Ierīce tiks nosūtīta uz mūsu centrālo pakalpojumu centru, lai veiktu pārbaudi. Ja noskaidrosies, ka ierīcei ir defekts, tā tiks salabota un nosūtīta atpakaļ preces lietotājam bez maksas. Ierīces, kuras pārdod par mazāk nekā 100€, tai skaitā pārdošanas nodokļi, tiks nomainītas pilnībā.

Ja centrālo pakalpojumu centras noskaidros, ka ierīcei nav defekta, par to paziņos preces lietotājam, kuram būs jāmaksā par labošanu.

Šī garantijas politika var laiku pa laikam mainīties, lai pielāgotos jaunu preču vajadzībām. Jaunākās garantijas politikas kopija ir pieejama www.greenworkstools.eu.



GARANTIIAEG

Kõikidele Greenworks Toolsi uute seadmete osadele ja töötlusele antakse 2-aastane garantii, mis hakkab kehtima ostukuupäeval. Kui seadmeid kasutatakse kutselise kasutaja poolt äriisel eesmärgil, antakse 30-päevane garantii, sest Greenworks Tools seadmed on ette nähtud põhiliselt kodukasutuseks (DIY).
Garantii ei ole ülekantav.

PIIRANGUD

See garantii on rakendatav ainult nõuetekohaselt mittetöötavatele detailidele/osadele ja ei ole rakendatav järgmistel juhtudel.

1. Loomulik kulumine.
2. Tavapärane häälestamine ja reguleerimine.
3. Vigastus on põhjustatud väärasest käsitsemisest, mittesihipärasest kasutamisest, valest kasutamisest või hooletusest.
4. Puudulikust hooldusest tingitud ülekuumenemine.
5. Puudulikust hooldusest tingitud vigastus, mille puhul liitmikud või kinnitid on lõtvunud või eemaldunud.
6. Veega pesemisest tingitud vigastus.
7. Seadmeid pole hooldatud ja teenindatud Greenworks Toolsi poolt heaks kiidetud hoolduskeskustes.
8. Seadmed on valesti kokku pandud või reguleeritud.
9. Seadme väärkasutamisest tingitud vigastus.
10. Talveks ette valmistamata jätmisest tingitud vigastus (kõrgsurvepesuritel).
11. Tavaline garantii ei kehti allpool loetletud kuluvatele osadele, kuid mitte ainult:
 - akud,
 - elektrikaablid,
 - lõiketerad ja lõiketerade koostud,
 - veorihmad,
 - filtrid,
 - kinnituspadrunid ja tööriistahoidikud.
12. Seadmetes leiduvate teise tootja osadele, nagu mootorid, käigukastid, kehtib vastava tootja garantiieskiri, mille kohustused tagab Greenworks Tools Europe GmbH ka väljaspool selle teise tootja garantiiaega.
13. See garantiieskiri ei kehti teise kasutusringi seadmetele.
14. Seadmele on paigaldatud varuosad, asendusosad või lisaosad, mis ei ole tarnitud või heaks kiidetud Greenworks Tools Europe GmbH poolt.

Garantii

Iga selle garantiieskrijaga rakenduva seadme garantii aluseks on ostu originaaldokument. Ostu ei saa tõendada krediitkaardi väljavõttega. Garantiijuhtumi korral tuleb kliendil esmalt tagastada seade ostukohta koos ostu tõestava dokumendiga. Seade saadetakse meie kesksesse teenindusasutusse, kus tehakse selle ülevaatus. Kui tuvastatakse seadme rikkisolek, siis see parandatakse ja saadetakse tagasi kliendi aadressile tasuta. Kui seadme jaehind koos käibemaksuga on vähem kui 100 eurot, siis see tavaliselt asendatakse.

Kui meie keskses teeninduskeskuses garantiiga kaetud riket ei leita, siis teavitatakse klienti, et tal tuleb tasuda remondi maksumus.

Garantiieskirja võidakse aeg-ajalt muuta, et seda kohandada uute toodete vajadustele. Garantiieskirja viimane versioon on saadaval veebilehel www.greenworkstools.eu.

EN EC DECLARATION OF CONFORMITY FOR MACHINERY

Manufacturer: Changzhou Globe Co., Ltd.
Address: No.65 Xinggang Road Zhonglou Zone Changzhou, Jiangsu 213000
P.R.China

Name and address of the person authorised to compile the technical file:

Name: Gary Gao Naixin (Director of Outdoor Power Equipment)

Address: Greenworks Tools Europe GmbH

Wankelstrasse 40.

50996 Koln

Germany

Herewith we declare that the product

Category **CORDLESS MOWER**

Model.....2502907

Serial number See product rating label

Year of Construction See product rating label

- is in conformity with the relevant provisions of the Machinery Directive (2006/42/EC)
- is in conformity with the provisions of the following other EC-Directive

2014/30/EU (EMC-Directive), and

2000/14/EC (Noise-Directive) incl. modifications (2005/88/EC)

And furthermore, we declare that

- the following (parts/clauses of) European harmonised standards have been used

EN 60335-1, EN60335-2-77;

EN 62233, EN ISO 3744; EN 55014-1;

EN 55014-2, ISO 11094

Measured sound power level LWA: 85.5 dB(A)

Guaranteed sound power level 96 dB(A)

Conformity assessment method to Annex V/ Directive 2000/14/EC

EC type approval to 2000/14/EC : Intertek Testing & Certification Co., Ltd. (NB0359)

Place, date: Changzhou, 22/07/2016

Signature: Gary Gao Naixin (BEng, CEng,

MIET) Vice president of Engineering

DE EC KONFORMITÄTSERKLÄRUNG FÜR MASCHINEN

Hersteller: Changzhou Globe Co., Ltd.

Adresse: No.65 Xinggang Road Zhonglou Zone Changzhou, Jiangsu 213000
P.R.China

Name und Adresse der Person, die autorisiert ist, die technische Akte
zusammenzustellen:

Name: Gary Gao Naixin (Leiter Motorgartengeräte)

Adresse: Greenworks Tools Europe GmbH

Wankelstrasse 40.

50996 Koln

Germany

Hiermit erklären wir, dass das Produkt

Kategorie **RASENMÄHER**

Modell.....2502907

Seriennummer siehe Produkt-Leistungsschild

Baujahr..... siehe Produkt-Leistungsschild

- in Übereinstimmung mit den entsprechenden Bestimmungen der
Maschinenrichtlinie ist (2006/42/EC)
- mit den Bestimmungen der folgenden anderen EC-Richtlinien übereinstimmt

2014/30/EU (EMC-Richtlinie), und

2000/14/EC (Geräuschemissionen durch Geräte im Außeneinsatz) einschl.

Modifikationen (2005/88/EC)

und weiterhin erklären wir, dass

- die folgenden (Teile/Bestimmungen aus) europäischen harmonisierten Normen
verwendet wurden

EN 60335-1, EN60335-2-77;

EN 62233, EN ISO 3744; EN 55014-1;

EN 55014-2, ISO 11094

Gemessener Schallleistungspegel LWA: 85.5 dB(A)

Garantierter Schallleistungspegel 96 dB(A)

Konformitätsbeurteilungsmethode zu Anhang V/Richtlinie 2000/14/EC

EG-Typgenehmigung 2000/14/EC : Intertek Testing & Certification

Co., Ltd. (NB0359)

Ort, Datum: Changzhou, 22/07/2016 Unterschrift: Gary Gao Naixin (BEng, CEng,

MIET) Vizepräsident Technik

ES DECLARACIÓN CE DE CONFORMIDAD PARA MAQUINARIA

Fabricante: Changzhou Globe Co., Ltd.

Dirección: No.65 Xinggang Road Zhonglou Zone Changzhou, Jiangsu 213000

China

Nombre y dirección de la persona autorizada para compilar el expediente técnico:

Nombre: Gary Gao Naixin (Director de Equipos motorizados para uso exterior)

Dirección: Greenworks Tools Europe GmbH

Wankelstrasse 40.

50996 Koln

Germany

Por la presente declaramos que el producto

Categoría **CORTACÉSPED**

Modelo.....2502907

Número de serie.....Ver etiqueta de clasificación de productos

Año de fabricación.....Ver etiqueta de clasificación de productos

- está en conformidad con las disposiciones pertinentes de la Directiva de
maquinaria 2006/42/EC
- está en conformidad con las disposiciones de estas otras Directivas-EC

2014/30/EU (Directiva EMC), y

2000/14/EC (Directiva sobre el ruido) incl. modificaciones (2005/88/EC)

Y además, declaramos que

- se han utilizado las siguientes (partes o cláusulas de las) normas armonizadas
europeas

EN 60335-1, EN60335-2-77;

EN 62233, EN ISO 3744; EN 55014-1;

EN 55014-2, ISO 11094

Nivel de potencia acústica medido LWA: 85.5 dB (A)

Nivel de potencia acústica garantizado 96 dB (A)

Método de evaluación de conformidad con el anexo V/Directiva 2000/14/EC

Aprobación tipo EC a 2000/14/EC: Intertek Testing & Certification Co., Ltd. (NB0359)

Lugar, fecha: Changzhou, 22/07/2016 Firma: Gary Gao Naixin (BEng, CEng, MIET)

Vicepresidente de Ingeniería

IT DICHIARAZIONE DI CONFORMITÀ EC PER L'UTENSILE

Ditta produttrice: Changzhou Globe Co., Ltd.

Indirizzo: No.65 Xinggang Road Zhonglou Zone Changzhou, Jiangsu 213000

Repubblica Popolare Cinese

Nome e indirizzo della persona autorizzata a compilar il file tecnico:

Nome: Gary Gao Naixin (Direttore degli elettroattrezzi da esterni)

Indirizzo: Greenworks Tools Europe GmbH

Wankelstrasse 40.

50996 Koln

Germany

Con la presente dichiariamo che il presente prodotto

Categoria **TOSAERBA**

Modello.....2502907

Numero di serie Vedere l'etichetta nominale sul prodotto

Anno di costruzione Vedere l'etichetta nominale sul prodotto

- è conforme con le rilevanti norme della Direttiva Macchine 2006/42/EC
- è conforme con le norme delle seguenti Direttive Europee

2014/30/EU (Direttiva EMC), e

2000/14/EC (Direttiva sul Rumore) comprese modifiche (2005/88/EC)

E inoltre, si dichiara di seguito che

- I seguenti standard europei armonizzati (parti/clausole degli stessi) sono stati
utilizzati

EN 60335-1, EN60335-2-77;

EN 62233, EN ISO 3744; EN 55014-1;

EN 55014-2, ISO 11094

Livello di potenza sonora misurata LWA: 85.5 dB(A)

Livello di potenza sonora garantita 96 dB(A)

Metodo di valutazione della conformità svolto secondo l'Allegato V/ Direttiva

2000/14/EC

Omologazione CE al 2000/14/CE : Intertek Testing & Certification Co., Ltd.

(NB0359)

Luogo, data: Changzhou, 22/07/2016 Firma: Gary Gao Naixin (BEng, CEng, MIET)

Vice Presidente Sezione Ingegneria

FR DÉCLARATION DE CONFORMITÉ CE CONCERNANT LES MACHINES

Fabricant : Changzhou Globe Co., Ltd.
Adresse : No.65 Xinggang Road Zhonglou Zone Changzhou, Jiangsu 213000 R.P. de Chine
Nom et adresse de la personne habilitée à établir le dossier technique :
Name: Gary Gao Naixin (Directeur de l'Outillage Extérieur à Moteur)
Adresse : Greenworks Tools Europe GmbH
Wankelstrasse 40.
50996 Koln
Germany

Nous déclarons par la présente que le produit

Catégorie **TONDEUSE À GAZON**
Modèle 2502907

Numéro de série Voir plaque signalétique du produit
Année de fabrication Voir plaque signalétique du produit

- est conforme aux réserves applicables de la Directive Machinerie (2006/42/EC)
 - est conforme aux réserves applicables des autres Directives CE suivantes
2014/30/EU (Directive EMC), et
2000/14/CE (Directive Émissions Sonores) y-compris modifications (2005/88/CE)
- Nous déclarons par ailleurs que
- les parties suivantes (parties/clauses des) standards Européens harmonisés ont été utilisées

EN 60335-1, EN60335-2-77;
EN 62233, EN ISO 3744; EN 55014-1;
EN 55014-2, ISO 11094

Niveau de puissance sonore mesuré LWA : 85.5 dB(A)
Niveau de puissance sonore garanti 96 dB(A)
Méthode d'évaluation de conformité de l'annexe V/Directive 2000/14/CE
Approbation de type EC 2000/14/EC : Intertek Testing & Certification Co., Ltd. (NB0359)

Lieu, date : Changzhou, 22/07/2016 Signature : Gary Gao Naixin (BEng, CEng, MIET) Vice président de l'Ingénierie

PT DECLARAÇÃO EC DE CONFORMIDADE PARA MÁQUINAS

Fabricante: Changzhou Globe Co., Ltd.
Endereço: No.65 Xinggang Road Zhonglou Zone Changzhou, Jiangsu 213000 China
Nome e endereço da pessoa autorizada a compilar o dossier técnico:
Nome: Gary Gao Naixin (Diretor de Equipamento Eléctrico para Exteriores)
Endereço: Greenworks Tools Europe GmbH
Wankelstrasse 40.
50996 Koln
Germany

Pelo presente declaramos que o produto

Categoria **CORTADOR DE RELVA**
Modelo 2502907

Número de série..... Ver etiqueta de classificação do produto
Ano de construção..... Ver etiqueta de classificação do produto

- encontra-se em conformidade com as disposições relevantes da Directiva sobre Máquinas (2006/42/EC)
 - se encontra em conformidade com as provisões das outras seguintes Directivas EC
2014/30/EU (Directiva EMC), e
2000/14/EC (directiva sobre ruído) incluindo modificações (2005/88/EC)
- Além disso, declaramos que
- as seguintes (partes/cláusulas de) normas harmonizadas europeias foram utilizadas

EN 60335-1, EN60335-2-77;
EN 62233, EN ISO 3744; EN 55014-1;
EN 55014-2, ISO 11094

Nível de potência sonora medido LWA: 85.5 dB(A)
Nível de potência sonora garantido 96 dB(A)
Método de avaliação de conformidade para o anexo V/ Directiva 2000/14/EC
Tipo de aprovação CE para 2000/14/CE: Intertek Testing & Certification Co., Ltd. (NB0359)

Local, data: Changzhou, 22/07/2016 Assinatura: Gary Gao Naixin (BEng, CEng, MIET) Vice-presidente de Engenharia

NL EC CONFORMITEITSVERKLARING VOOR MACHINES

Fabrikant: Changzhou Globe Co., Ltd.
Adres: No.65 Xinggang Road Zhonglou Zone Changzhou, Jiangsu 213000 P.R.China
Naam en adres van de person die verantwoordelijk is voor de opmaak van de technische fiche:
Naam: Gary Gao Naixin (Director of Outdoor Power Equipment)
Adres: Greenworks Tools Europe GmbH
Wankelstrasse 40.
50996 Koln
Germany

Hierbij verklaren wij dat het product

Categorie **GRASMAAIER**
Model..... 2502907

Serienummer Zie etiket productrating
Bouwjaar Zie etiket productrating

- is in overeenstemming met de relevante bepalingen van de Machineryrichtlijn (2006/42/EC)
 - is in overeenstemming met de bepalingen van de volgende andere EU-richtlijnen
2014/30/EU (EMC-richtlijn) en
2000/14/EC (Lawaairichtlijn) incl. wijzigingen (2005/88/EC)
- En bovendien verklaren wij dat
- de volgende (delen/clausules van) de Europese gestandaardiseerde normen werden gebruikt

EN 60335-1, EN60335-2-77;
EN 62233, EN ISO 3744; EN 55014-1;
EN 55014-2, ISO 11094

Gemeten geluidsdrukkniveau LWA: 85.5 dB(A)
Gegarandeerd geluidsdrukkniveau 96 dB(A)
Conformiteitsanalysemethode in overeenstemming met Annex V/ Richtlijn 2000/14/EC
EC-typegoedkeuring in overeenstemming met 2000/14/EC : Intertek Testing & Certification Co., Ltd. (NB0359)

Plaats, datum: Changzhou, 22/07/2016 Handtekening: Gary Gao Naixin (BEng, CEng, MIET) Vice-president ontwerp

RU ЗАЯВЛЕНИЕ О СООТВЕТСТВИИ ТРЕБОВАНИЯМ ЕС

Производитель: Changzhou Globe Co., Ltd.
Адрес: No.65 Xinggang Road Zhonglou Zone Changzhou, Jiangsu 213000 China
Имя и адрес лица, ответственного за подготовку технического файла:
Имя: Gary Gao Naixin (директор по электроинструментам, предназначенным для использования на открытом воздухе)
Адрес: Greenworks Tools Europe GmbH
Wankelstrasse 40.
50996 Koln
Germany

Настоящим мы заявляем, что данный продукт

Категория Газонокосилка
Модель 2502907

Заводской номер См. паспортную табличку продукта
Год выпуска См. паспортную табличку продукта

- соответствует всем важнейшим положениям Директивы по механическому оборудованию (2006/42/EC)
 - соответствует всем положениям следующих директив ЕС
2014/30/EU (Директива EMC), и
2000/14/EC (Директива по шуму) с изменениями (2005/88/EC)
- Кроме этого, мы заявляем, что
- были использованы следующие части или статьи европейских согласованных стандартов

EN 60335-1, EN60335-2-77;
EN 62233, EN ISO 3744; EN 55014-1;
EN 55014-2, ISO 11094

Измеренный уровень звуковой мощности LWA: 85.5 dB(A)
Гарантируемый уровень звуковой мощности 96 dB(A)
Оценка соответствия проведена согласно приложению V / к директиве 2000/14/EC
Сертификация соответствия EC 2000/14/EC:
Intertek Testing & Certification Co., Ltd. (NB0359)

Место, дата: Changzhou, 22/07/2016 Подпись: Gary Gao Naixin (BEng, CEng, MIET) Vice-президент по разработкам

FI LAITTEIDEN EY:N VAATIMUSTENMUKAISUUSVAKUUTUS

Valmistaja: Changzhou Globe Co., Ltd.
 Osoite: No.65 Xinggang Road Zhonglou Zone Changzhou, Jiangsu 213000,
 P.R.China

Sen henkilön nimi ja osoite, jolla on lupa koota tekninen tiedosto:

Nimi: Gary Gao Naixin (Ulkokäyttökoneiden osaston päällikkö)

Osoite: Greenworks Tools Europe GmbH

Wankelstrasse 40.

50996 Koln

Germany

Ilmoitamme täten, että tuote

Luokka **RUOHONLEIKKURIT**

Malli 2502907

Sarjanumero Viittaa tuotteen nimikilpeen

Valmistusvuosi Viittaa tuotteen nimikilpeen

• noudattaa konedirektiivin asianmukaisia edellytyksiä (2006/42/EC)

• noudattaa seuraavien muiden EC-direktiivien edellytyksiä:

2014/30/EU (EMC-direktiivi) ja

2000/14/EC (Meludirektiivi) muutoksineen (2005/88/EC)

Ilmoitamme edelleen, että

• olemme käyttäneet seuraavia eurooppalaisia yhdenmukaistettuja standardeja

EN 60335-1, EN60335-2-77;

EN 62233, EN ISO 3744; EN 55014-1;

EN 55014-2, ISO 11094

Mitattu äänenteho LWA: 85.5 dB(A)

Taattu äänenteho 96 dB(A)

Säännösten noudattaminen tarkastettu direktiivin 2000/14/EC liitteen V mukaisesti
 EC-tyyppinen hyväksyntä standardin 2000/14/EC mukaisuudesta: Intertek Testing &
 Certification Co., Ltd. (NB0359)

Paikka, päiväys: Changzhou, 22/07/2016 Allekirjoitus: Gary Gao Naixin (BEng,
 CEng, MIET) Varapresidentti, Suunnitteluosasto


SV EU-DEKLARATION OM ÖVERENSSTÄMMELSE FÖR MASKINER

Tillverkare: Changzhou Globe Co., Ltd.

Adress: No.65 Xinggang Road Zhonglou Zone Changzhou, Jiangsu 213000 Kina

Namn och adress för person ansvarig för sammanställning av tekniskt underlag:

Namn: Gary Gao Naixin (Chef för Outdoor Power Equipment)

Adress: Greenworks Tools Europe GmbH

Wankelstrasse 40.

50996 Koln

Germany

Härmed intygar vi att produkten

Kategori **GRÄSKLIPPARE**

Modell 2502907

Serienummer Se produktens klassificeringsetikett

Konstruktionsår Se produktens klassificeringsetikett

• överensstämmer med relevanta krav i maskindirektivet (2006/42/EC)

• överensstämmer med krav i följande andra EU-direktiv

2014/30/EU (EMC-direktiv) och

2000/14/EC (bullerdirektiv) inklusive förändringar (2005/88/EC)

Vidare intygar vi att

• följande (delar/punkter i) Europeiska harmoniserade standarder har använts

EN 60335-1, EN60335-2-77;

EN 62233, EN ISO 3744; EN 55014-1;

EN 55014-2, ISO 11094

Uppmätt ljudeffekt LWA: 85.5 dB(A)

Garanterad ljudeffekt 96 dB(A)

Bedömningsmetod för överensstämmelse, Annex V Directive 2000/14/EC

EC typgodkännande till 2000/14/EC: Intertek Testing & Certification

Co., Ltd. (NB0359)

Plats, datum: Changzhou, 22/07/2016 Underskrift: Gary Gao Naixin (BEng, CEng,
 MIET) Chef för Engineering


NO EC SAMSVARERKLÆRING FOR MASKINER

Produsent: Changzhou Globe Co., Ltd.

Adresse: No.65 Xinggang Road Zhonglou Zone Changzhou, Jiangsu 213000

P.R.China

Navn og adresse på vedkommende person som er autorisert til å sette sammen den tekniske datafilen:

Navn: Gary Gao Naixin (Direktør for utendørs motorisert redskap)

Adresse: Greenworks Tools Europe GmbH

Wankelstrasse 40.

50996 Koln

Germany

Herved erklærer vi at produktet

Kategori **GRESSKLIPPER**

Modell 2502907

Serienummer Se produktetiketten

Byggeår Se produktetiketten

• er i samsvar med relevante bestemmelser i Maskindirektivet (2006/42/EC)

• er i samsvar med bestemmelsene i følgende øvrige EC-direktiver

2014/30/EU (EMC-Direktivet), og

2000/14/EC (Støydirektiv) inkl. endringer (2005/88/EC)

I tillegg erklærer vi at

• følgende (elementer/bestemmelser i) harmoniserte europeiske standarder er benyttet

EN 60335-1, EN60335-2-77;

EN 62233, EN ISO 3744; EN 55014-1;

EN 55014-2, ISO 11094

Målt lydeffektnivå LWA: 85.5 dB(A)

Garantert lydeffektnivå 96 dB(A)

Samsvarsvurdering til Tillegg V/Direktiv 2000/14/EC

EC type approval to 2000/14/EC : Intertek Testing & Certification

Co., Ltd. (NB0359)

Sted, dato: Changzhou, 22/07/2016 Signatur: Gary Gao Naixin (BEng, CEng,

MIET) Visepresident for konstruksjon


DA EF-OVERENSSTEMMELSESERKLÆRING FOR MASKINEN

Producent: Changzhou Globe Co., Ltd.

Adresse: No. 65 Xinggang Road Zhonglou Zone Changzhou, Jiangsu 213000, Kina

Navn og adresse på personen med bemyndigelse til udarbejdelse af den tekniske fil:

Navn: Gary Gao Naixin (direktør for eludstyr til udendørs brug)

Adresse: Greenworks Tools Europe GmbH

Wankelstrasse 40.

50996 Koln

Germany

Vi erklærer hermed, at produktet

Kategori **PLÆNEKLIPPER**

Model 2502907

Serienummer Se produktets mærkeplade

Byggeår Se produktets mærkeplade

• er i overensstemmelse med alle relevante bestemmelser i EF-maskindirektivet

(2006/42/EC)

• er i overensstemmelse med bestemmelserne i følgende øvrige EF-direktiver

2014/30/EU (EMC-direktivet) og

2000/14/EØF (støjdirektivet) inkl. modifikationer (2005/88/EØF)

Vi erklærer desuden, at

• der er anvendt følgende (dele/klausuler af) europæiske harmoniserede standarder:

EN 60335-1, EN60335-2-77;

EN 62233, EN ISO 3744; EN 55014-1;

EN 55014-2, ISO 11094

Målt lydeffektniveau LWA: 85.5 dB(A)

Garanteret lydeffektniveau 96 dB(A)

Overensstemmelsesvurderingsmetode iht. Tillæg VI / Direktiv 2000/14/EØF

Schvalováni typu ES podle 2000/14/ES: Intertek

Testing & Certification Co., Ltd. (NB0359)

Sted, dato: Changzhou, 22/07/2016 Underskrift: Gary Gao Naixin (BEng, CEng,

MIET) Vicedirektør for maskinteknik



PL DEKLARACJA ZGODNOŚCI WE DLA MASZYN

Producent: Changzhou Globe Co., Ltd.
Adres: No.65 Xinggang Road Zhonglou Zone Changzhou, Jiangsu 213000 P.R. China
Nazwisko i adres osoby upoważniona do przygotowania dokumentacji technicznej:
Nazwisko: Gary Gao Naixin (dyrektor ds. zewnętrznych urządzeń elektrycznych)
Adres: Greenworks Tools Europe GmbH
Wankelstrasse 40.
50996 Koln
Germany

Niniejszym deklarujemy, że produkt
Kategoria **KOSIARKA DO TRAWY**
Model 2502907
Numer seryjny Patrz tabliczka znamionowa produktu
Rok budowy Patrz tabliczka znamionowa produktu
• jest zgodny z odpowiednimi przepisami dyrektywy maszynowej (2006/42/EC)
• jest zgodny z postanowieniami następującej innej dyrektywy WE

2014/30/EU (dyrektywa EMC)
2000/14/WE (dyrektywa dot. hałasu) wraz z modyfikacjami (2005/88/WE)
A ponadto, oświadczamy, że
• zostały zastosowane następujące (klauzule/części) europejskie normy zharmonizowane

EN 60335-1, EN60335-2-77;
EN 62233, EN ISO 3744; EN 55014-1;
EN 55014-2, ISO 11094

Nivelul măsurat al puterii acustice: LWA: 85.5 dB (A)

Maksymalny poziom natężenia hałasu: 96 dB (A)

Metoda oceny zgodności do załącznika V/dyrektywy 2000/14/WE

Homologacja typu WE do 2000/14/WE : Intertek Testing & Certification Co., Ltd. (NB0359)

Miejsce, data: Changzhou, 22/07/2016

Podpis: Gary Gao Naixin (BEng, CEng, MIET) Wiceprezes ds. technologii



CS EC PROHLÁŠENÍ O SHODĚ PRO STROJE

Výrobce: Changzhou Globe Co., Ltd.
Adresa: No.65 Xinggang Road Zhonglou Zone Changzhou, Jiangsu 213000 P.R.China
Jméno a adresa osoby pověřené řídit technickou dokumentací:
Název: Gary Gao Naixin (Ředitel pro elektrické nástroje pro venkovní používání)
Adresa: Greenworks Tools Europe GmbH
Wankelstrasse 40.
50996 Koln
Germany

Tímto prohlašujeme, že výrobek:

Druh..... **SEKAČKA TRÁVY**
Model.....2502907
Výrobní číslo..... Viz výkonový štítek na výrobku
Rok výroby..... Viz výkonový štítek na výrobku
• je v souladu s příslušnými ustanoveními směrnice o strojích (2006/42/EC)
• je v souladu s příslušnými ustanoveními následujících směrnic EC.

2014/30/EU (Technické požadavky pro zařízení z hlediska elektromagnetické kompatibility) a

2000/14/EC (Směrnice o hluku) vč. změn (2005/88/EC)

A tímto prohlašujeme, že

• byly použity následující (části/odstavce) harmonizované evropské normy

EN 60335-1, EN60335-2-77;

EN 62233, EN ISO 3744; EN 55014-1;

EN 55014-2, ISO 11094

Změřená hladina akustického výkonu: LWA: 85.5 dB(A)

Zaručená hladina akustického výkonu: 96 dB(A)

Soulad s metodou určování pro přílohu V/směrnice 2000/14/EC

Schvalování typu ES podle 2000/14/ES: Intertek Testing & Certification Co., Ltd. (NB0359)

Místo, datum: Changzhou, 22/07/2016

Signature: Gary Gao Naixin (BEng, CEng, MIET) Viceprezident pro strojírenství



SK VYHLÁSENIE CE O ZHODE FOR MACHINERY PRE STROJNÍCTVO

Výrobca: Changzhou Globe Tools Co., Ltd.
Adresa: No. 65 Xinggang Road Zhonglou Zone Changzhou, Jiangsu 213000, Čína
Meno a adresa osoby oprávnenej zostavovať technický súbor:
Meno: Gary Gao Naixin (riaditeľ pre exteriérové elektrické zariadenia)
Adresa: Greenworks Tools Europe GmbH
Wankelstrasse 40.
50996 Koln
Germany

Týmto vyhlasujeme, že produkt

Kategória **KOSAČKA TRÁVY**
Model.....2502907

Sériové číslo Pozrite štítok s údajmi produktu
Rok konštrukcie Pozrite štítok s údajmi produktu

• je v súlade s platnými ustanoveniami Smernice pre strojové zariadenia(2006/42/EC)
• je v súlade s ustanoveniami nasledujúcej ďalšej Smernice EK

2014/30/EU (Smernica EMC) a

2000/14/EC (Smernica pre hluk) vrátane modifikácií (2005/88/EC)

A ďalej vyhlasujeme, že

• boli použité nasledujúce (časti/klauzuly) Európskych harmonizovaných noriem

EN 60335-1, EN60335-2-77;

EN 62233, EN ISO 3744; EN 55014-1;

EN 55014-2, ISO 11094

Nameraná hladina akustického výkonu LWA:85.5 dB(A)

Garantovaná hladina akustického výkonu 96 dB(A)

Metóda zhodnotenia zhody k Dodatku V/Smernice 2000/ 14/EC

Schválenie EC typu podľa 2000/14/EC : Intertek Testing & Certification Co., Ltd. (NB0359)

Miesto, dátum: Changzhou, 22/07/2016

Podpis: Gary Gao Naixin (BEng, CEng, MIET)

Viceprezident pre strojárstvo



SL EC IZJAVA O SKLADNOSTI STROJEV

Proizvajalec: Changzhou Globe Co., Ltd.
Naslov: No.65 Xinggang Road Zhonglou Zone Changzhou, Jiangsu 213000 LR Kitajska
Ime in naslov osebe, ki je pooblaščen za sestavljanje tehnične dokumentacije:
Ime: Gary Gao Naixin (direktor oddelka za električne naprave za uporabo na prostem)
Naslov: Greenworks Tools Europe GmbH
Wankelstrasse 40.
50996 Koln
Germany

Izjavljamo, da je izdelek

Kategorija **KOSILNICA**

Model.....2502907

Serijska številka Glejte nalepko s podatki o izdelku

Leto izdelave..... Glejte nalepko s podatki o izdelku

• Skladen z veljavnimi določbami Direktive o strojih (2006/42/EC)

• skladen z določili naslednjih ostalih EC direktiv

2014/30/EU (Direktiva o elektromagnetni združljivosti), in

2000/14/EC (Direktiva o emisiji hrupa) vklj. s spremembami (2005/88/EC)

Poleg tega izjavljamo, da

• so bili upoštevani naslednji evropski harmonizacijski standardi (njihovi deli/stavki)

EN 60335-1, EN60335-2-77;

EN 62233, EN ISO 3744; EN 55014-1;

EN 55014-2, ISO 11094

Izmerjena raven zvočne moči LWA: 85.5 dB (A)

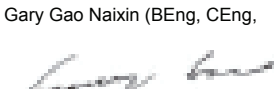
Zajamčena raven zvočne moči 96 dB (A)

Način ugotavljanja skladnosti z aneksom V/direktive 2000/14/EC

Odobritev tipa ES za 2000/14/ ES: Intertek Testing & Certification Co., Ltd. (NB0359)

Kraj, datum: Changzhou, 22/07/2016 Podpis: Gary Gao Naixin (BEng, CEng, MIET)

Podpredsednik tehničnega oddelka



HR EC IZJAVA O USKLAĐENOSTI ZA STROJEVE

Proizvođač: Changzhou Globe Co., Ltd.
 Adresa: No.65 Xinggang Road Zhonglou Zone Changzhou, Jiangsu 213000
 P.R.China
 Ime i prezime, i adresa osobe ovlaštene da sastavi tehničku datoteku:
 Ime i prezime: Gary Gao Naixin (Direktor za Opremu za korištenje i na otvorenom)
 Adresa: Greenworks Tools Europe GmbH
 Wankelstrasse 40.
 50996 Koln
 Germany

Ovime izjavljujemo da je proizvod

Kategorija **KOSILICA**
 Model..... **2502907**

Serijski broj Pogledajte naljepnicu na proizvodu
 Godina proizvodnje Pogledajte naljepnicu na proizvodu
 • usklađen s relevantnim odredbama Direktive o strojevima 2006/42/EC
 • usklađen s odredbama sljedećih EC-Direktiva

2014/30/EU (EMC-Direktiva) i
 2000/14/EC (Direktiva o buci) uključujući preinake (2005/88/EC).
 Nadalje, izjavljujemo da su

• korišteni sljedeći (dijelovi/klausule) europski usklađenih normi
 EN 60335-1, EN60335-2-77;

EN 62233, EN ISO 3744; EN 55014-1;
 EN 55014-2, ISO 11094

Izmjerena razina zvučne snage LWA: 85.5 dB (A)
 Jamčena razina zvučne snage 96 dB (A)

Metoda procjene usklađenosti prema dodatku V/Direktive 2000/14/EC
 Odobrenje tipa EC do 2000/14/EC : Intertek Testing & Certification Co.,
 Ltd. (NB0359)

Mjesto, datum: Changzhou, 22/07/2016 Potpis: Gary Gao Naixin (BEng, CEng,
 CEng, MIET) Potpredsjednikinženjeringa


HU EK GÉPÉSZETI MEGFELELŐSÉGI NYILATKOZAT

Gyártó: Changzhou Globe Co., Ltd.
 Cím: No.65 Xinggang Road Zhonglou Zone Changzhou, Jiangsu 213000, Kina
 A műszaki dokumentáció összeállítására feljogosított személy neve és címe:
 Név: Gary Gao Naixin (igazgató, Kültéri Szerszámgépek)
 Cím: Greenworks Tools Europe GmbH
 Wankelstrasse 40.
 50996 Koln
 Germany

Ezúton kijelentjük, hogy a termék:

Kategória **FŰNYÍRÓ**
 Típus..... **2502907**

Sorozatszám Lásd a termék adattábláján
 Gyártási év Lásd a termék adattábláján

• megfelel a Gépészeti Irányelv vonatkozó rendelkezéseinek 2006/42/EC
 • megfelel az alábbi EK irányelvek vonatkozó rendelkezéseinek:

2014/30/EU(EMC irányelv) és
 2000/14/EK (Zaj irányelv), beleértve a módosításokat (2005/88/EK) is.

Továbbá kijelentjük, hogy
 • a következő harmonizált európai szabványokat (részeit/pontjait) használtuk fel:

EN 60335-1, EN60335-2-77;
 EN 62233, EN ISO 3744; EN 55014-1;

EN 55014-2, ISO 11094

Mért hangteljesítményszint LWA:85.5 dB(A)
 Garantált hangteljesítményszint 96 dB(A)

A megfelelőségi értékelési eljárás a 2000/14/EK irányelv IV. függeléke szerint történt
 EC típusjóváhagyás a 2000/14/EC szerint: Intertek Testing & Certification Co., Ltd.
 (NB0359)

Hely, dátum: Changzhou, 22/07/2016 Alíráás: Gary Gao Naixin (BEng, CEng,
 MIET) Alelnök, tervezés


RO DECLARAȚIE DE CONFORMITATE C.E. PENTRU APARAT

Producător: Changzhou Globe Co., Ltd.
 Adresă: No.65 Xinggang Road Zhonglou Zone Changzhou, Jiangsu 213000 China
 Numele și adresa persoanei autorizate să completeze fișa tehnică:
 Nume: Gary Gao Naixin (Director Echipamente electrice pentru exterior)
 Adresa: Greenworks Tools Europe GmbH
 Wankelstrasse 40.
 50996 Koln
 Germany

Prin prezenta declar că produsul

Categoria **MAȘINĂ DE TUNS GAZON**
 Model..... **2502907**

Număr serie Vezi eticheta de clasificare a produsului
 Data fabricației Vezi eticheta de clasificare a produsului

• este în conformitate cu prevederile relevante a Directivei privind Aparatele 2006/42/EC
 • este în conformitate cu prevederile următoarelor Directive CE in conformity with
 the provisions of the following other EC-Directive

Directiva EMC) 2014/30/EU și
 (Directiva privind emisia de zgomot) 2000/14/EC inclusiv modificările (2005/88/EC)

În plus, declarăm că:
 • următoarele standarde armonizate europene (părți/clauze) au fost folosite

EN 60335-1, EN60335-2-77;
 EN 62233, EN ISO 3744; EN 55014-1;
 EN 55014-2, ISO 11094

Nivel măsurat de putere sonoră LWA: 85.5 dB(A)
 Nivel garantat de putere sonoră 96 dB(A)

Metoda declarației de conformitate la Anexa V /Directiva 2000/14/EC
 Aprobare tip EC la 2000/14/EC : Intertek Testare & Certificare Co., Ltd. (NB0359)

Locul, data: Changzhou, 22/07/2016
 Semnătura: Gary Gao Naixin (BEng, CEng, MIET) Vice președinte Departament
 Inginerie


BG EC ДЕКЛАРАЦИЯ ЗА СЪОТВЕТСТВИЕ НА МАШИНАТА

Производител: Changzhou Globe Co., Ltd.
 Адрес: No.65 Xinggang Road Zhonglou Zone Changzhou, Jiangsu 213000, Китай
 Име и адрес на лицето, упълномощено да състави техническите документи:
 Име: Gary Gao Naixin (Директор на отдела за външно механизирани
 оборудване)
 Адрес: Greenworks Tools Europe GmbH
 Wankelstrasse 40.
 50996 Koln
 Germany

С настоящото декларираме, че продуктът

Категория **КОСАЧКА ЗА ТРЕВА**
 Модел **2502907**

Сериен номер Вижте етикетата с номиналните стойности
 Година на производство Вижте етикетата с номиналните стойности

• отговаря на съответните разпоредби на Директивата относно машините 2006/42/EC
 • отговаря на разпоредбите на следните други директиви на ЕО

2014/30/EU (Директива за EMC) и
 2000/14/EC (Излъчван шум от машини и съоръжения, които работят на открито)
 включително промените (2005/88/EC)

Освен това декларираме, че
 • са спазени (части/клаузи от) следните общите европейски стандарти

EN 60335-1, EN60335-2-77;
 EN 62233, EN ISO 3744; EN 55014-1;
 EN 55014-2, ISO 11094

Измерено ниво на шум LWA: 85.5 dB(A)
 Гарантирано ниво на шум 96 dB(A)

Метод на оценяване на съответствието съобразно приложение V от Директива
 2000/14/EC

Типово одобрение на ЕО в съответствие с 2000/14/EO: Intertek Testing &
 Certification Co., Ltd. (NB0359)

Място, дата: Changzhou, 22/07/2016
 Подпис: Gary Gao Naixin (BEng, CEng, MIET)

машиностроене Вицепрезидент,



EL ΔΗΛΩΣΗ ΣΥΜΜΟΡΦΩΣΗΣ EK

Κατασκευαστής: Changzhou Globe Co., Ltd.
Διεύθυνση: No.65 Xinggang Road Zhonglou Zone Changzhou,
Jiangsu 213000 P.R.China
Όνομα και διεύθυνση ατόμου εξουσιοδοτημένου να συντάξει τον τεχνικό φάκελο:
Όνομα : Gary Gao Naixin (Διευθυντής υπαίθριου ηλεκτροκίνητου εξοπλισμού)
Address: Greenworks Tools Europe GmbH
Wankelstrasse 40.
50996 Koin
Germany

Δια του παρόντος δηλώνουμε ότι το προϊόν
Κατηγορία **ΜΗΧΑΝΗ ΚΟΥΡΕΜΑΤΟΣ ΓΡΑΣΙΔΙΟΥ**
Μοντέλο..... **2502907**
Αριθμός σειράςΒλ. ετικέτα βαθμονόμησης προϊόντος
Έτος κατασκευήςΒλ. ετικέτα βαθμονόμησης προϊόντος
• είναι σύμφωνο με τις σχετικές διατάξεις της Οδηγίας Μηχανημάτων 2006/42/EK
• Το προϊόν είναι σύμφωνο με τις προϋποθέσεις των παρακάτω λοιπών Οδηγιών της EK
2014/30/EE (Οδηγία EMC) και
2000/14/EK (Οδηγία θορύβου) συμπεριλαμβανομένων των τροποποιήσεων (2005/88/EK)

Και επιπλέον δηλώνουμε ότι
• Εφαρμόστηκαν τα ακόλουθα Ευρωπαϊκά εναρμονισμένα πρότυπα (τήματα/ρήτρες)

EN 60335-1, EN60335-2-77;
EN 62233, EN ISO 3744; EN 55014-1;
EN 55014-2, ISO 11094

Μετρημένο επίπεδο έντασης ήχου LWA: 85.5 dB(A)
Εγγυημένο επίπεδο έντασης ήχου 96 dB(A)
Μέθοδος αξιολόγησης συμμόρφωσης προς Παράρτημα V/Οδηγία 2000/14/EK
Έγκριση τύπου EK βάσει 2000/14/EK : Intertek Testing & Certification Co., Ltd. (NB0359)

Τόπος, ημερομηνία : Changzhou, 22/07/2016 Υπογραφή: Gary Gao Naixin (BEng, CEng,
MIET) Αντιπρόεδρος μηχανολογικού τμήματος

AR إيضاحات في وصف المنتج مع قباباطملا نالغ

Changzhou Globe Co., Ltd.
No.65 Xinggang Road Zhonglou Zone Changzhou,
Jiangsu 213000 P.R.China.
يقدم هذا المنتج لخدمة عميلنا من قبلنا
في: Gary Gao Naixin (مدير
Greenworks Tools Europe GmbH
Wankelstrasse 40.
50996 Koin
Germany

يقدم هذا المنتج لخدمة عميلنا من قبلنا
في: Gary Gao Naixin (مدير
Greenworks Tools Europe GmbH
Wankelstrasse 40.
50996 Koin
Germany

يقدم هذا المنتج لخدمة عميلنا من قبلنا
في: Gary Gao Naixin (مدير
Greenworks Tools Europe GmbH
Wankelstrasse 40.
50996 Koin
Germany

EN 60335-1, EN60335-2-77;
EN 62233, EN ISO 3744; EN 55014-1;
EN 55014-2, ISO 11094

يقدم هذا المنتج لخدمة عميلنا من قبلنا
في: Gary Gao Naixin (مدير
Greenworks Tools Europe GmbH
Wankelstrasse 40.
50996 Koin
Germany

يقدم هذا المنتج لخدمة عميلنا من قبلنا
في: Gary Gao Naixin (مدير
Greenworks Tools Europe GmbH
Wankelstrasse 40.
50996 Koin
Germany

TR AT UYGUNLUK BEYANI

Üretici: Changzhou Globe Co., Ltd.
Adres: No.65 Xinggang Road Zhonglou Zone Changzhou,
Jiangsu 213000 Çin Halk Cumhuriyeti
Teknik dosyayı derleyecek yetkili kişinin adı ve adresi:
Name: Gary Gao Naixin (Elektrikli Bahçe Ekipmanları Yöneticisi)
Adı: Greenworks Tools Europe GmbH
Wankelstrasse 40.
50996 Koin
Almanya

İşbu belge ile bu ürünün
Kategori..... **TEKNİK ÖZELLİKLER**
Model..... **2502907**
Seri numarası..... Ürün derecelendirme etiketine bakın
Üretim Yılı..... Ürün derecelendirme etiketine bakın
• Makine Direktifi 2006/42/AT nin ilgili hükümlerine uygun olduğunu beyan ediyoruz.
• aşağıdaki diğer EC Direktiflerine hükümlerine uygun olduğunu beyan ediyoruz
2014/30/EU (EMU Direktifi) ve
2000/14/EC (Gürültü Direktifi), değişiklikler dahil (2005/88/EC)

Bunun yanı sıra aşağıdaki belgelerle uygunluğunu beyan ediyoruz:
• Aşağıdaki Avrupa uyumlaştırılmış standartları (kısımları/maddeleri) kullanılmıştır

EN 60335-1, EN60335-2-77;
EN 62233, EN ISO 3744; EN 55014-1;
EN 55014-2, ISO 11094

Ölçülen ses gücü seviyesi: 85.5 dB (A)
Garanti edilen ses gücü seviyesi: 96 dB (A)
Ek V/ Direktif 2000/14/AT uyarınca uygunluk değerlendirmesi yöntemi
2000/14/EC uyarınca EC tip onayı: Intertek Testing & Certification Co., Ltd. (NB0359)

Yer, tarih: Changzhou, 22/07/2016 İmza: Gary Gao Naixin (BEng, CEng,
MIET) Mühendislik Departmanı Başkan Yardımcısı

HE פירוורא דוחיאל תומיאת תרצה

Changzhou Globe Co., Ltd.
No.65 Xinggang Road Zhonglou Zone Changzhou, Jiangsu 213000 P.R.China
יחב שמישל ילמשח דויז להנמ) Gary Gao Naixin : ש
Address: Greenworks Tools Europe GmbH
Wankelstrasse 40.
50996 Koin
הינמר

רצומה ש הירוצמ ונא
אשד תחסכמ..... **2502907**
רצומה לש גורידה תקדמב וייע ירודיס 'סמ
רצומה לש גורידה תקדמב וייע רוצייה תנש
• 2006/42/EC תונכמל עגונב הינחה לש סימיאתמה סיננתה לש תושיירב דמוע
• 2014/30/EU וכו, (תיטנגמורטקלא הינרקל עגונב הינחה)
2000/14/EC (מינוקיתה ללוכ (שערל עגונב הינחה)

ש: סיננתה ונא, וסונבו
סיננתה ונא, וסונבו

EN 60335-1, EN60335-2-77;
EN 62233, EN ISO 3744; EN 55014-1;
EN 55014-2, ISO 11094

הדדמנש שער תמצוע: 85.5 dB(A)
תחטבמו שער תמצוע: 96 dB(A)
V / חפסנל מתהב תומיאתל הכרעה תטיש
2000/14/EC: Intertek Testing & Certification Co., Ltd. (NB0359)

22/07/2016, וזגנל: יריראת, סוקמ
המיתת: Gary Gao Naixin
(BEng, CEng, MIET) הסדנה ל"כננס

LT EK ĮRENGIMŲ ATITIKTIES DEKLARACIJA

Gamintojas: „Changzhou Globe Co., Ltd.“

Adresas: No. 65 Xinggang Road Zhonglou Zone Changzhou, Jiangsu 213000 P.R. Kinija

Asmens, įgalioto tvarkyti techninę bylą, vardas, pavardė ir adresas:

Vardas, pavardė: Gary Gao Naixin (Elektrų įrangos darbu lauke direktorius)

Adresas: Greenworks Tools Europe GmbH

Wankelstrasse 40.

50996 Koln

Germany

Mes pareiškiamo, kad šis gaminys

Kategorija..... **ŽOLIAPJOVĖ**

Modelis.....2502907

Serijinis numeris..... Žr. gaminio duomenų plokštelę

Gamybos metai..... Žr. gaminio duomenų plokštelę

• atitinka susijusius įrengimų direktyvos reikalavimus (2006/42/EC)

• atitinka šių EK direktyvų reikalavimus:

2014/30/EU (EMC-direktyva), ir

2000/14/EK (Triukšmo direktyva) įskaitant pakeitimus (2005/88/EC).

Mes taip pat pareiškiamo, kad

• buvo atsižvelgta į šiuos Europos harmonizuotus standartus (jų dalis / straipsnius):

EN 60335-1, EN60335-2-77;

EN 62233, EN ISO 3744; EN 55014-1;

EN 55014-2, ISO 11094

Išmatuotas akustinis lygis: LWA: 85.5 dB (A)

Garantuotas akustinis lygis 96 dB (A)

Atitiktis įvertinimo metodus pagal direktyvos 2000/14/EK, V Priedą.

EB tipo patvirtinimas pagal 2000/14/EB: „Intertek Testing & Certification Co., Ltd.“ (NB0359)

Vieta, data: Changzhou, 22/07/2016 Parašas: Gary Gao Naixin (BEng, CEng, MIET)

Viceprezidentas, Inžinerija

LV MAŠINŲ EK ATBILSTĪBAS DEKLARĀCIJA

Ražotājs: Manufacturer:Changzhou Globe Co., Ltd.

Adrese: No.65 Xinggang Road Zhonglou Zone Changzhou, Jiangsu 213000 P.R.China

Personas, kas pilnvarota sastādīt tehnisko dokumentāciju, vārds, uzvārds un adrese:

Vārds, uzvārds: Gary Gao Naixin (Lauka iekārtu daļas direktors)

Adrese: Greenworks Tools Europe GmbH

Wankelstrasse 40.

50996 Koln

Germany

Ar šo mēs paziņojam, ka prece

Kategorija..... **ZĀLES PĻĀUJMAŠĪNA**

Modelis.....2502907

Sērijas numurs..... Skatīt preces specifikāciju etiķeti

Uzbūvēšanas gads..... Skatīt preces specifikāciju etiķeti

• atbilst attiecīgajiem Mehānismu direktīvas noteikumiem 2006/42/EC

• atbilst attiecīgajiem citu sekojošu EK direkīvu noteikumiem

2014/30/EU (Elektromagnētiskās atbilstības (EMC) direktīva), un

2000/14/EK (Direktīva par trokšņu emisiju), ieskaitot grozījumus (2005/88/EC)

Turklāt, mēs paziņojam, ka

• ir tikuši izmantoti sekojošie Eiropas saskaņotie standarti (daļas / panti)

EN 60335-1, EN60335-2-77;

EN 62233, EN ISO 3744; EN 55014-1;

EN 55014-2, ISO 11094

Izmērītais skaņas jaudas līmenis LWA: 85.5 dB(A)

Garantētais skaņas jaudas līmenis 96 dB(A)

Atbilstības novērtēšana saskaņā ar pielikumu V/ 2000/14/EK direktīva

EK tipa apstiprinājums 2000/14/EK : Intertek Testing & Certification Co., Ltd. (NB0359)

Vieta, datums: Changzhou, 22/07/2016 Paraksts: Gary Gao Naixin (BEng, CEng, MIET)

Mašīnbūves daļas priekšsēdētāja vietnieks

ET MASINA EC VASTAVUSDEKLARATSIOON

Tootja:Changzhou Globe Co., Ltd.

Address: No.65 Xinggang Road Zhonglou Zone Changzhou, Jiangsu 213000 P.R.China

Tehnise faili koostamiseks volitatud isik ja tema aadress.

Nimi: Gary Gao Naixin (Väliseadmete direktor)

Address: Greenworks Tools Europe GmbH

Wankelstrasse 40.

50996 Koln

Germany

Kinnitame, et see toode

Klass..... **MURUNIIDUK**

Mudel.....2502907

Seerianumber..... vaadake toote tehasesilti

Tootmisaasta..... vaadake toote tehasesilti

• Vastab masinadirektiivi asjakohastele nõuetele 2006/42/EC

• ja on vastav järgmiste EC direktiivide nõuetele:

2014/30/EU (elektromagnetilise ühilduvuse direktiiv) ja

2000/14/EC (müradirektiiv) kaasa arvatud muudatused direktiiviga 2005/88/EC

Lisaks deklareerime, et

• on kasutatud järgmisi Euroopa harmoniseeritud standardeid (nende osi/sätteid):

EN 60335-1, EN60335-2-77;

EN 62233, EN ISO 3744; EN 55014-1;

EN 55014-2, ISO 11094

Mõõdetud helivõimsuse tase LwA: 85.5 dB(A)

Garanteeritud helivõimsuse tase 96 dB(A)

Vastavushindamine vastavalt lisale V direktiivis 2000/14/EC

EÜ-tüübikinnitus vastavalt direktiivile 2000/14/EÜ: Intertek Testing & Certification Co., Ltd. (NB0359)

Aadress, kuupäev: Changzhou, 22/07/2016

Allkiri: Gary Gao Naixin (BEng, CEng, MIET)

Asepresident tootmise alal

ET MASINA EC VASTAVUSDEKLARATSIOON

Tootja:Changzhou Globe Co., Ltd.

Address: No.65 Xinggang Road Zhonglou Zone Changzhou, Jiangsu 213000 P.R.China

Tehnise faili koostamiseks volitatud isik ja tema aadress.

Nimi: Gary Gao Naixin (Väliseadmete direktor)

Address: Greenworks Tools Europe GmbH

Wankelstrasse 40.

50996 Koln

Germany

Kinnitame, et see toode

Klass..... **MURUNIIDUK**

Mudel.....2502907

Seerianumber..... vaadake toote tehasesilti

Tootmisaasta..... vaadake toote tehasesilti

• Vastab masinadirektiivi asjakohastele nõuetele 2006/42/EC

• ja on vastav järgmiste EC direktiivide nõuetele:

2014/30/EU (elektromagnetilise ühilduvuse direktiiv) ja

2000/14/EC (müradirektiiv) kaasa arvatud muudatused direktiiviga 2005/88/EC

Lisaks deklareerime, et

• on kasutatud järgmisi Euroopa harmoniseeritud standardeid (nende osi/sätteid):

EN 60335-1, EN60335-2-77;

EN 62233, EN ISO 3744; EN 55014-1;

EN 55014-2, ISO 11094

Mõõdetud helivõimsuse tase LwA: 85.5 dB(A)

Garanteeritud helivõimsuse tase 96 dB(A)

Vastavushindamine vastavalt lisale V direktiivis 2000/14/EC

EÜ-tüübikinnitus vastavalt direktiivile 2000/14/EÜ: Intertek Testing & Certification Co., Ltd. (NB0359)

Aadress, kuupäev: Changzhou, 22/07/2016

Allkiri: Gary Gao Naixin (BEng, CEng, MIET)

Asepresident tootmise alal

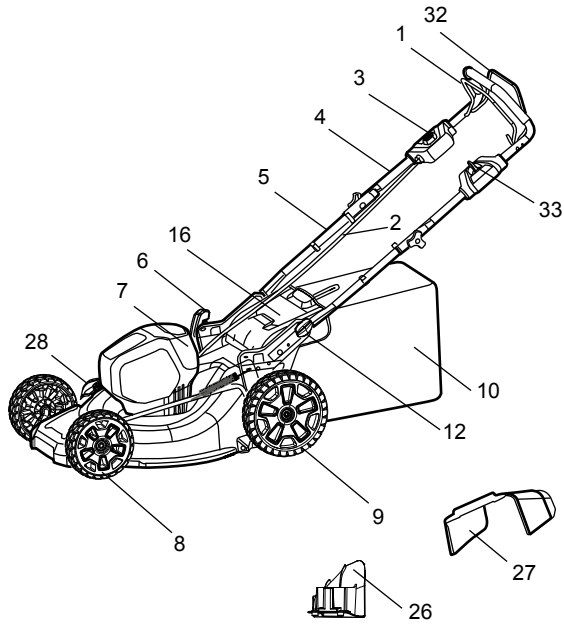


Fig. 1

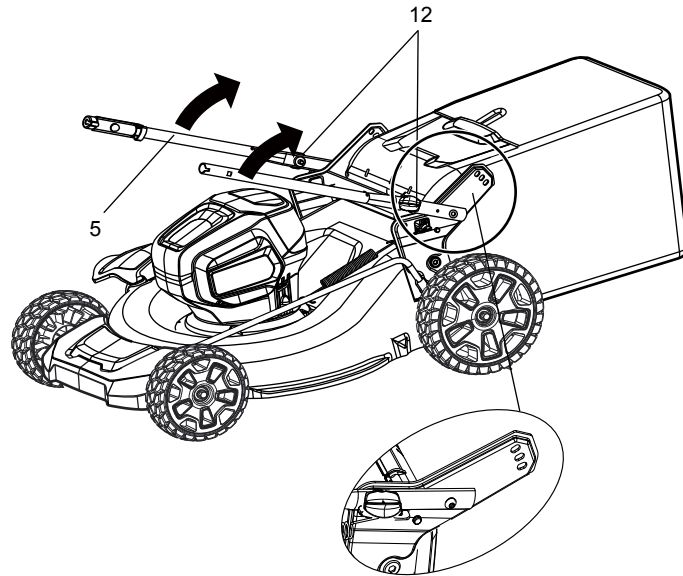


Fig. 2

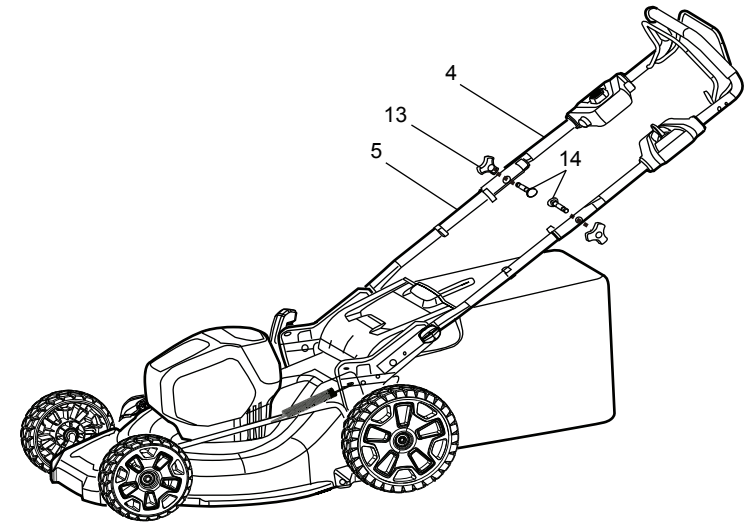


Fig. 3

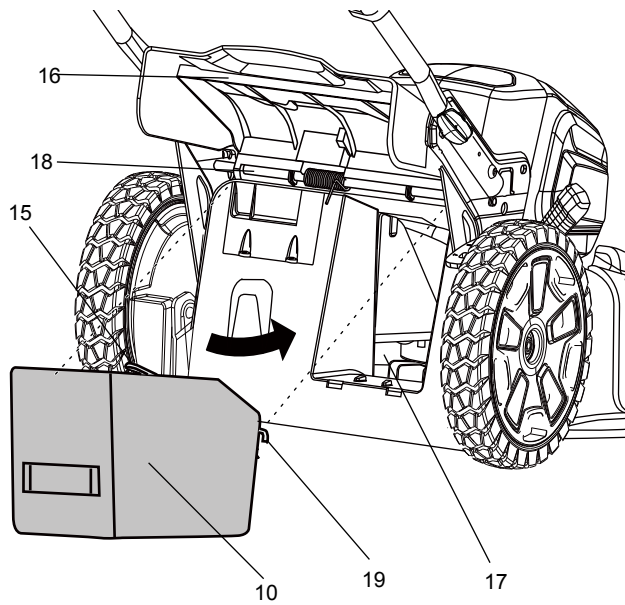


Fig. 4

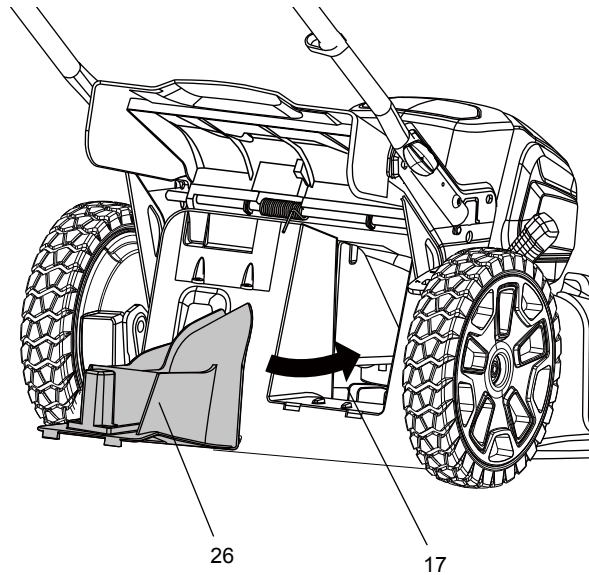


Fig. 5

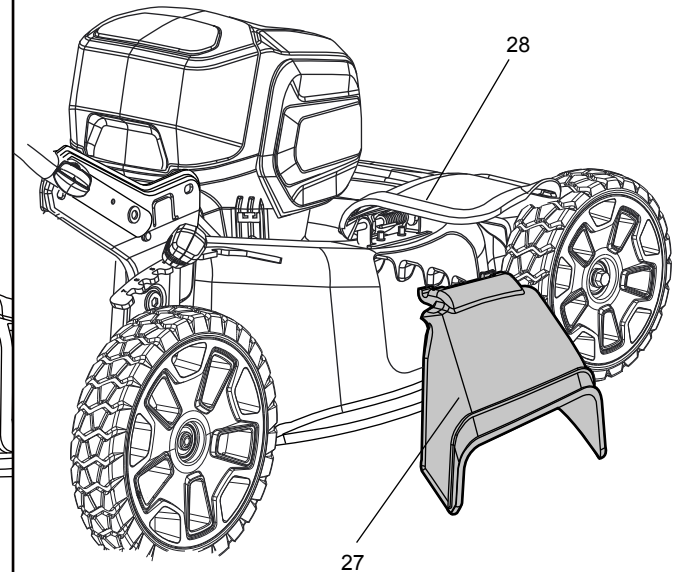


Fig. 6

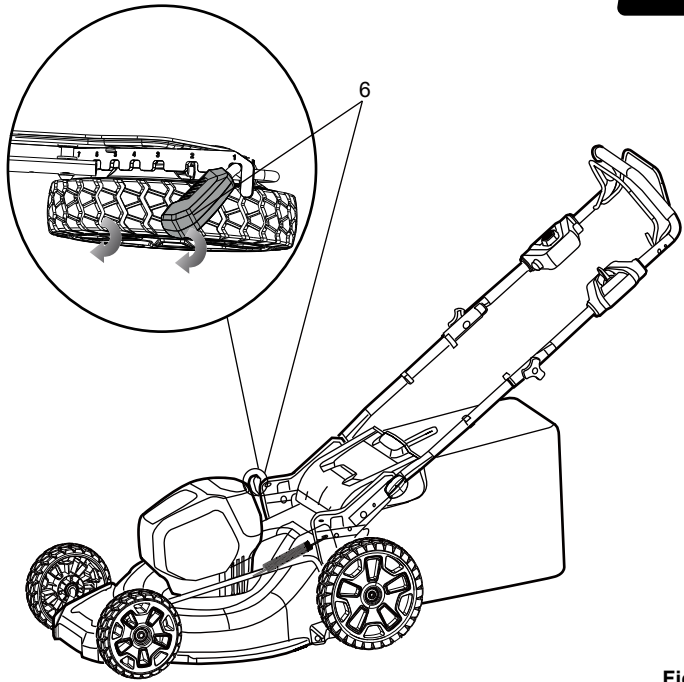


Fig. 7

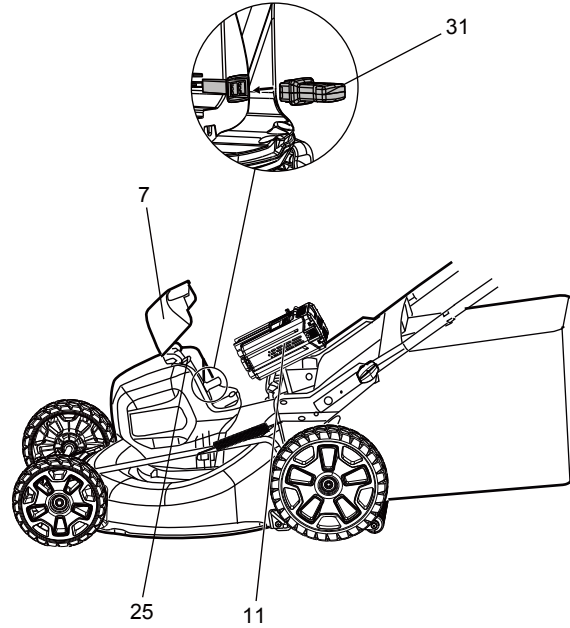


Fig. 8

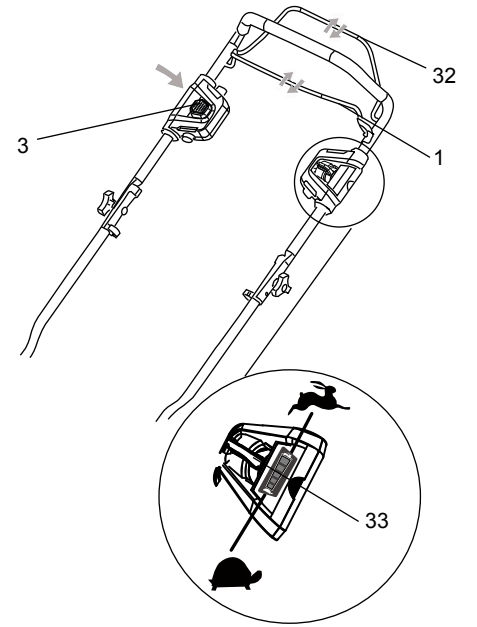


Fig. 9



Fig. 10

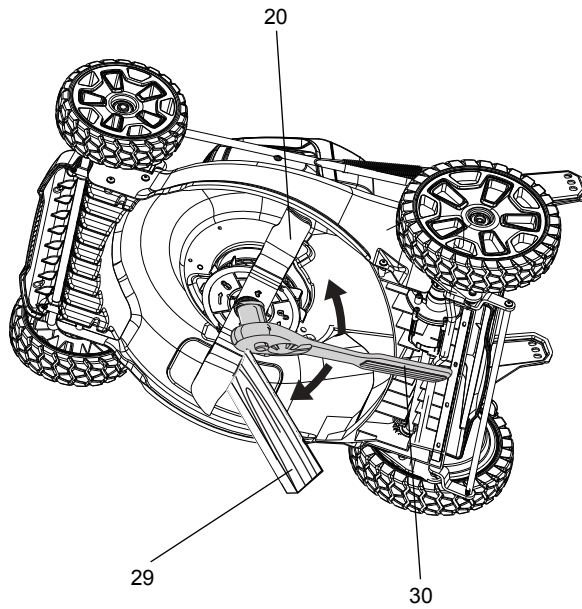


Fig. 11

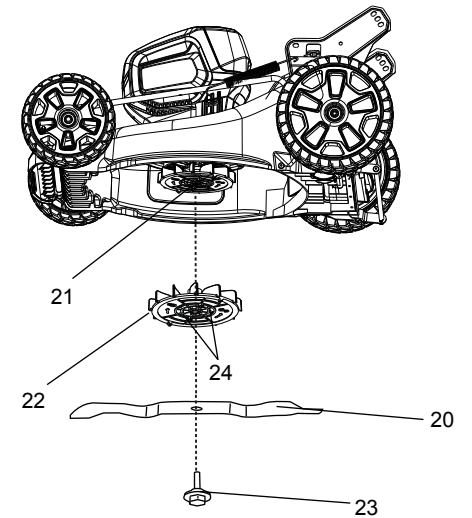


Fig. 12