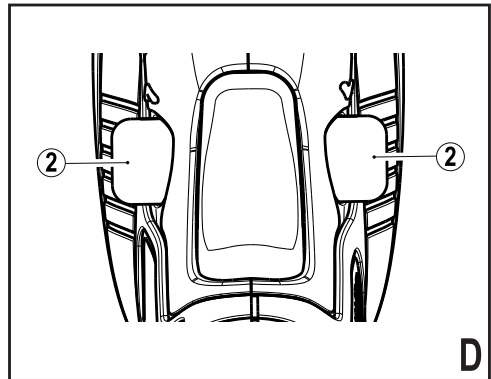
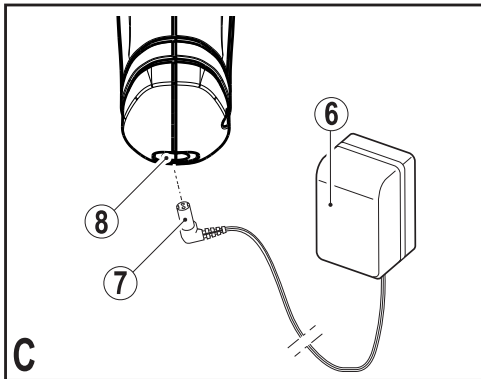
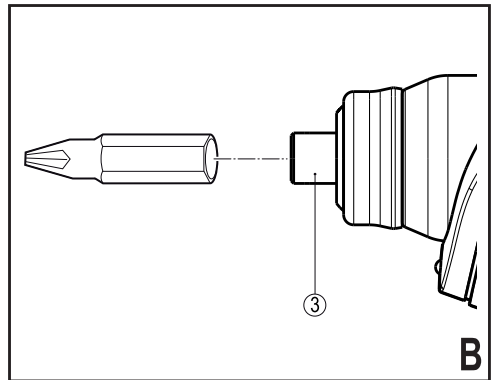
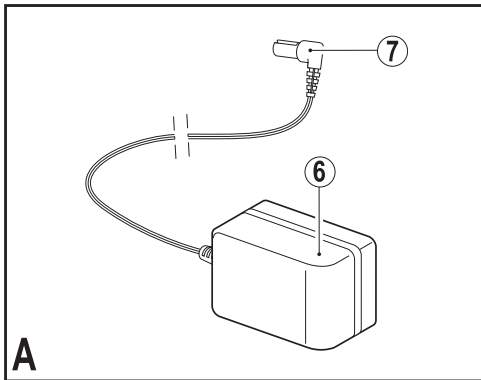
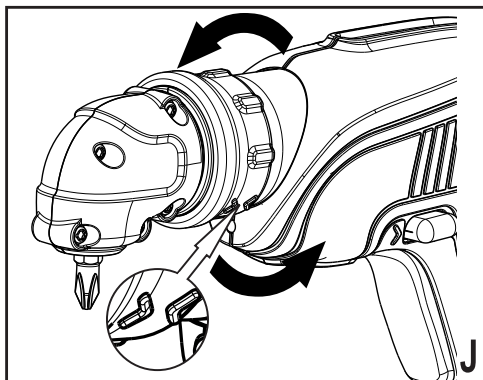
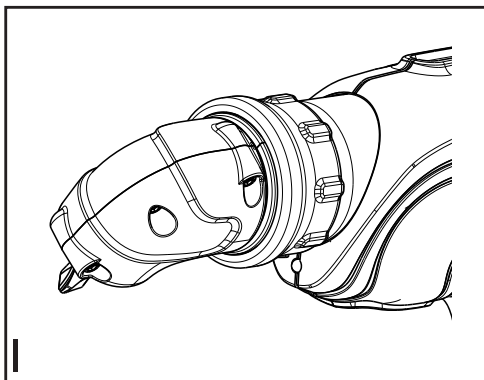
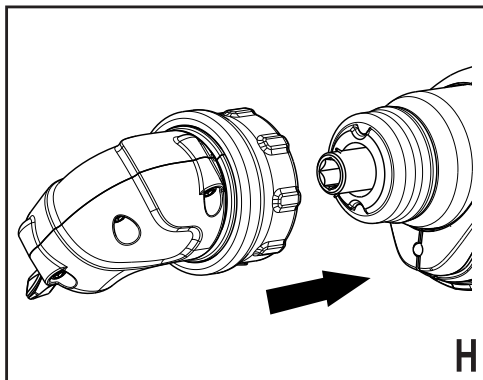
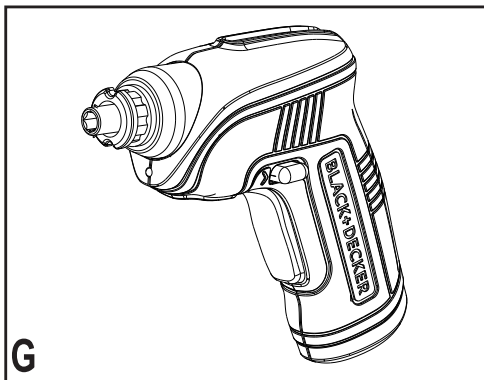
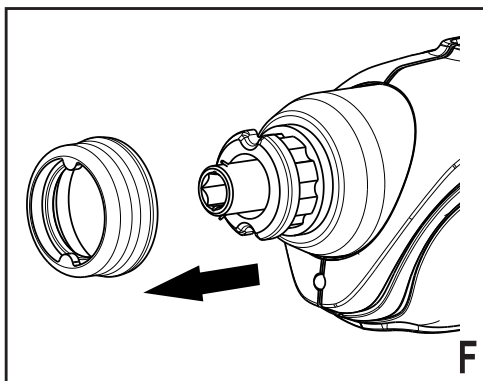
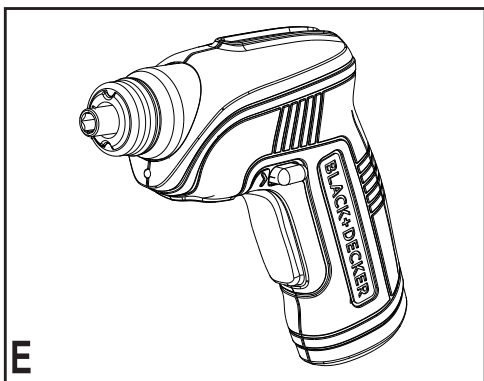


<b>English</b>	<b>(Original instructions)</b>	<b>5</b>
<b>Deutsch</b>	<b>(Übersetzung der Originalanleitung)</b>	<b>11</b>
<b>Français</b>	<b>(Traduction des instructions d'origine)</b>	<b>18</b>
<b>Česky</b>	<b>(Přeloženo z původního návodu)</b>	<b>25</b>
<b>Magyar</b>	<b>(Fordítás az eredeti kezelési utasítás alapján készült)</b>	<b>31</b>
<b>Polski</b>	<b>(Tłumaczenie oryginalnej instrukcji)</b>	<b>37</b>
<b>Slovenčina</b>	<b>(Preložené z pôvodného návodu)</b>	<b>44</b>
<b>Русский язык</b>	<b>(Перевод с оригинала инструкции)</b>	<b>50</b>
<b>Українська</b>	<b>(Переклад оригінальних інструкцій)</b>	<b>58</b>
<b>Türkçe</b>	<b>(Çevirisi orijinal talimatlardan yapılmıştır)</b>	<b>66</b>





## Intended use

Your BLACK+DECKER screwdriver has been designed for screwdriving applications. This tool is intended for consumer use only.

## Safety instructions

### General power tool safety warnings



**Warning!** Read all safety warnings and all instructions. Failure to follow the warnings and instructions listed below may result in electric shock, fire and/or serious injury.

**Save all warnings and instructions for future reference.** The term "power tool" in all of the warnings listed below refers to your mains operated (corded) power tool or battery operated (cordless) power tool.

1. **Work area safety**
  - a. **Keep work area clean and well lit.** Cluttered or dark areas invite accidents.
  - b. **Do not operate power tools in explosive atmospheres, such as in the presence of flammable liquids, gases or dust.** Power tools create sparks which may ignite the dust or fumes.
  - c. **Keep children and bystanders away while operating a power tool.** Distractions can cause you to lose control.
2. **Electrical safety**
  - a. **Power tool plugs must match the outlet. Never modify the plug in any way. Do not use any adapter plugs with earthed (grounded) power tools.** Unmodified plugs and matching outlets will reduce risk of electric shock.
  - b. **Avoid body contact with earthed or grounded surfaces such as pipes, radiators, ranges and refrigerators.** There is an increased risk of electric shock if your body is earthed or grounded.
  - c. **Do not expose power tools to rain or wet conditions.** Water entering a power tool will increase the risk of electric shock.
  - d. **Do not abuse the cord. Never use the cord for carrying, pulling or unplugging the power tool. Keep cord away from heat, oil, sharp edges or moving parts.** Damaged or entangled cords increase the risk of electric shock.
  - e. **When operating a power tool outdoors, use an extension cord suitable for outdoor use.** Use of a cord suitable for outdoor use reduces the risk of electric shock.
  - f. **If operating a power tool in a damp location is unavoidable, use a residual current device (RCD) protected supply.** Use of an RCD reduces the risk of electric shock.
3. **Personal safety**
  - a. **Stay alert, watch what you are doing and use common sense when operating a power tool. Do not use a power tool while you are tired or under the influence of drugs, alcohol or medication.** A moment of inattention while operating power tools may result in serious personal injury.
  - b. **Use personal protective equipment. Always wear eye protection.** Protective equipment such as dust mask, non-skid safety shoes, hard hat, or hearing protection used for appropriate conditions will reduce personal injuries.
  - c. **Prevent unintentional starting. Ensure the switch is in the off-position before connecting to power source and/or battery pack, picking up or carrying the tool.** Carrying power tools with your finger on the switch or energising power tools that have the switch on invites accidents.
  - d. **Remove any adjusting key or wrench before turning the power tool on.** A wrench or a key left attached to a rotating part of the power tool may result in personal injury.
  - e. **Do not overreach. Keep proper footing and balance at all times.** This enables better control of the power tool in unexpected situations.
  - f. **Dress properly. Do not wear loose clothing or jewellery. Keep your hair, clothing and gloves away from moving parts.** Loose clothes, jewellery or long hair can be caught in moving parts.
  - g. **If devices are provided for the connection of dust extraction and collection facilities, ensure these are connected and properly used.** Use of dust collection can reduce dust-related hazards.
4. **Power tool use and care**
  - a. **Do not force the power tool. Use the correct power tool for your application.** The correct power tool will do the job better and safer at the rate for which it was designed.
  - b. **Do not use the power tool if the switch does not turn it on and off.** Any power tool that cannot be controlled with the switch is dangerous and must be repaired.
  - c. **Disconnect the plug from the power source and/or the battery pack from the power tool before making any adjustments, changing accessories, or storing power tools.** Such preventive safety measures reduce the risk of starting the power tool accidentally.

- d. **Store idle power tools out of the reach of children and do not allow persons unfamiliar with the power tool or these instructions to operate the power tool.** Power tools are dangerous in the hands of untrained users.
  - e. **Maintain power tools. Check for misalignment or binding of moving parts, breakage of parts and any other condition that may affect the power tools operation. If damaged, have the power tool repaired before use.** Many accidents are caused by poorly maintained power tools.
  - f. **Keep cutting tools sharp and clean.** Properly maintained cutting tools with sharp cutting edges are less likely to bind and are easier to control.
  - g. **Use the power tool, accessories and tool bits etc. in accordance with these instructions, taking into account the working conditions and the work to be performed.** Use of the power tool for operations different from those intended could result in a hazardous situation.
- 5. Battery tool use and care**
- a. **Recharge only with the charger specified by the manufacturer.** A charger that is suitable for one type of battery pack may create a risk of fire when used with another battery pack.
  - b. **Use power tools only with specifically designated battery packs.** Use of any other battery packs may create a risk of injury and fire.
  - c. **When battery pack is not in use, keep it away from other metal objects, like paper clips, coins, keys, nails, screws, or other small metal objects, that can make a connection from one terminal to another.** Shorting the battery terminals together may cause burns or a fire.
  - d. **Under abusive conditions, liquid may be ejected from the battery; avoid contact. If contact accidentally occurs, flush with water. If liquid contacts eyes, additionally seek medical help.** Liquid ejected from the battery may cause irritation or burns.
- 6. Service**
- a. **Have your power tool serviced by a qualified repair person using only identical replacement parts.** This will ensure that the safety of the power tool is maintained.

### Additional power tool safety warnings



**Warning!** Additional safety warnings for screwdrivers and impact wrenches

- ◆ **Wear ear protectors with impact drills.** Exposure to noise can cause hearing loss.
- ◆ **Use auxiliary handles supplied with the tool.** Loss of control can cause personal injury.
- ◆ **Hold power tool by insulated gripping surfaces, when performing an operation where the fastener may contact hidden wiring.** Fasteners contacting a “live” wire may make exposed metal parts of the power tool “live” and could give the operator an electric shock.
- ◆ **Use clamps or another practical way to secure and support the workpiece to a stable platform.** Holding the work by hand or against your body leaves it unstable and may lead to loss of control.
- ◆ The intended use is described in this instruction manual. The use of any accessory or attachment or performance of any operation with this tool other than those recommended in this instruction manual may present a risk of personal injury and/or damage to property.



**Warning!** Impact wrenches are not torque wrenches. Do not use this tool for tightening fasteners to specified torques. An independent, calibrated torque measurement device such as a torque wrench should be used when under tightened or over tightened fasteners can lead to the failure of the joint.

### Safety of others

- ◆ This appliance is not intended for use by persons (including children) with reduced physical, sensory or mental capabilities, or lack of experience and knowledge, unless they have been given supervision or instruction concerning use of the appliance by a person responsible for their safety.
- ◆ Children should be supervised to ensure that they do not play with the appliance.

### Residual risks.

Additional residual risks may arise when using the tool which may not be included in the enclosed safety warnings. These risks can arise from misuse, prolonged use etc.

Even with the application of the relevant safety regulations and the implementation of safety devices, certain residual risks can not be avoided. These include:

- ◆ Injuries caused by touching any rotating/moving parts.
- ◆ Injuries caused when changing any parts, blades or accessories.

- ◆ Injuries caused by prolonged use of a tool. When using any tool for prolonged periods ensure you take regular breaks.
- ◆ Impairment of hearing.
- ◆ Health hazards caused by breathing dust developed when using your tool (example:- working with wood, especially oak, beech and MDF.)

### Vibration

The declared vibration emission values stated in the technical data and the declaration of conformity have been measured in accordance with a standard test method provided by EN 60745 and may be used for comparing one tool with another. The declared vibration emission value may also be used in a preliminary assessment of exposure.

**Warning!** The vibration emission value during actual use of the power tool can differ from the declared value depending on the ways in which the tool is used. The vibration level may increase above the level stated.

When assessing vibration exposure to determine safety measures required by 2002/44/EC to protect persons regularly using power tools in employment, an estimation of vibration exposure should consider, the actual conditions of use and the way the tool is used, including taking account of all parts of the operating cycle such as the times when the tool is switched off and when it is running idle in addition to the trigger time.

### Labels on tool

The following symbols are shown on the tool:



**Warning!** To reduce the risk of injury, the user must read the instruction manual.

### Additional safety instructions for batteries and chargers

#### Batteries

- ◆ Never attempt to open for any reason.
- ◆ Do not expose the battery to water.
- ◆ Do not store in locations where the temperature may exceed 40 °C.
- ◆ Charge only at ambient temperatures between 10 °C and 40 °C.
- ◆ Charge only using the charger provided with the tool.
- ◆ When disposing of batteries, follow the instructions given in the section "Protecting the environment".

### Chargers

- ◆ Use your BLACK+DECKER charger only to charge the battery in the tool with which it was supplied. Other batteries could burst, causing personal injury and damage.
- ◆ Never attempt to charge non-rechargeable batteries.
- ◆ Have defective cords replaced immediately.
- ◆ Do not expose the charger to water.
- ◆ Do not open the charger.
- ◆ Do not probe the charger.



The charger is intended for indoor use only.



Read the instruction manual before use.



Fail safe isolating transformer. The mains supply is electrically separated from the transformer output.



The charger automatically shuts off if the ambient temperature becomes too high. As a consequence the charger will be inoperable. The unit must be disconnected from the mains supply and taken to an authorised service centre for repair.

### Electrical safety



Your charger is double insulated; therefore no earth wire is required. Always check that the mains voltage corresponds to the voltage on the rating plate. Never attempt to replace the charger unit with a regular mains plug.

- ◆ If the supply cord is damaged, it must be replaced by the manufacturer or an authorised BLACK+DECKER Service Centre in order to avoid a hazard.

**Warning!** Never attempt to replace the charger unit with a regular mains plug.

### Features

This tool includes some or all of the following features.

1. On/off switch
2. Forward/reverse button.
3. Bit holder
4. LED light
5. Magnetic bit storage

### Fig. A

6. Charger
7. Charger plug
8. Charger connector

## Assembly

### Fitting and removing a drill bit or a screwdriver bit (fig. B)

This tool uses screwdriver bits and drill bits with a 6.35 mm (1/4") hexagonal shank.

- ◆ To fit a bit, insert the bit shaft into the bit holder (3).
- ◆ To remove a bit, pull the bit shaft out of the bit holder (3).

**Note:** The right angled attachment shown in fig. E-J may not be included with your tool.

## Use

**Warning!** Let the tool work at its own pace. Do not overload.

- ◆ Before first use, the battery must be charged for at least 15 hours.

### Charging the battery (fig. C)

- ◆ Insert the charger plug (7) into the charger connector (8).
- ◆ Plug in the charger (6).
- ◆ Leave the tool connected to the charger for 15 hours.

The charger may hum and become warm while charging; this is normal and does not indicate a problem.

**Warning!** Only use the charger provided to charge CS3652LC.

**Warning!** Do not charge the battery at ambient temperatures below 10 °C or above 40 °C.

### Selecting the direction of rotation (fig. D)

For drilling and for tightening screws, use forward rotation. For loosening screws or removing a jammed drill bit, use reverse rotation.

- ◆ To select forward rotation, push the forward/reverse button (2) to the right.
- ◆ To select reverse rotation, push the forward/reverse button (2) to the left.
- ◆ To lock the tool, set the forward/reverse button into the centre position.

### Drilling/screwdriving

- ◆ Select forward or reverse rotation using the forward/reverse button (2).
- ◆ To switch the tool on, press the on/off switch (1).
- ◆ To switch the tool off, release the on/off switch (1).

### LED light

The LED light (4) is activated automatically when the trigger is depressed. The LED will also illuminate when the trigger is depressed and the forward/re-

verse button (2) is in the locked off position (central position).

## Hints for optimum use

### Screwdriving

- ◆ Always use the correct type and size of screwdriver bit.
- ◆ If screws are difficult to tighten, try applying a small amount of washing liquid or soap as a lubricant.
- ◆ Use the spindle lock to loosen very tight screws or to firmly tighten screws.
- ◆ Always hold the tool and screwdriver bit in a straight line with the screw.
- ◆ When screwing in wood, it is recommended to drill a pilot hole with a depth equal to the length of the screw. A pilot hole guides the screw and prevents splintering or distortion of the wood. For the optimum size of the pilot hole, refer to the table below.
- ◆ When screwing in hardwood, also drill a clearance hole with a depth equal to half the length of the screw. For the optimum size of the clearance hole, refer to the table below.

Screw size	Pilot hole ø (softwood)	Pilot hole ø (hardwood)	Clearance hole
No. 6 (3.5 mm)	2.0 mm	2.5 mm	3.6 mm
No. 8 (4 mm)	2.5 mm	3.0 mm	4.5 mm
No. 10 (5 mm)	3.0 mm	3.5 mm	5.0 mm

### Drilling pilot holes

- ◆ Always apply a light pressure in a straight line with the drill bit.
- ◆ Just before the drill tip breaks through the other side of the workpiece, decrease pressure on the tool.
- ◆ Use a block of wood to back up workpieces that may splinter.
- ◆ Make an indentation using a centre punch at the centre of the hole to be drilled in order to improve accuracy.

## Accessories

The performance of your tool depends on the accessory used. BLACK+DECKER and Piranha accessories are engineered to high quality standards and designed to enhance the performance of your tool. By using these accessories you will get the very best from your tool. This tool uses screwdriver bits with a 1/4" (6.35 mm) hexagonal shank. Piranha Superlok accessories are designed for use with this tool.



## Maintenance

Your BLACK+DECKER tool has been designed to operate over a long period of time with a minimum of maintenance. Continuous satisfactory operation depends upon proper tool care and regular cleaning.

Your charger does not require any maintenance apart from regular cleaning.

**Warning!** Before performing any maintenance on the tool, remove unplug the charger before cleaning it.

- ◆ Regularly clean the ventilation slots in your tool and charger using a soft brush or dry cloth.
- ◆ Regularly clean the motor housing using a damp cloth. Do not use any abrasive or solvent-based cleaner.
- ◆ Regularly open the chuck and tap it to remove any dust from the interior.

## Protecting the environment



Separate collection. This product must not be disposed of with normal household waste.

Should you find one day that your BLACK+DECKER product needs replacement, or if it is of no further use to you, do not dispose of it with household waste. Make this product available for separate collection.



Separate collection of used products and packaging allows materials to be recycled and used again. Re-use of recycled materials helps prevent environmental pollution and reduces the demand for raw materials.

Local regulations may provide for separate collection of electrical products from the household, at municipal waste sites or by the retailer when you purchase a new product.

BLACK+DECKER provides a facility for the collection and recycling of BLACK+DECKER products once they have reached the end of their working life. To take advantage of this service please return your product to any authorised repair agent who will collect them on our behalf.

You can check the location of your nearest authorised repair agent by contacting your local BLACK+DECKER office at the address indicated in this manual. Alternatively, a list of authorised BLACK+DECKER repair agents and full details of our after-sales service and contacts are available on the Internet at: **www.2helpU.com**.

## Batteries



There are no user servicable parts inside.

- ◆ At the end of your products life return the whole unit to your service agent or to a local recycling station to have the battery recycled. Do not throw the unit out with household waste.

## Technical data

		CS3652LC (H1)
Voltage	V <sub>DC</sub>	3.6
No-load speed	min <sup>-1</sup>	180
Hard stall torque	Nm	5.84
Max. torque	Nm	5.5
Bit holder	mm	6.35 (1/4")
Weight	kg	0.32

Battery		906146** H1
Voltage	V	3.6
Battery type		Li-Ion
AH rating		1.5

Charger		905450** H1
Voltage	V <sub>AC</sub>	230
Approx. charge time	h	15
Weight	kg	0.14

### Level of sound pressure according to EN 60745:

Sound pressure (L<sub>pA</sub>) 54 dB(A), uncertainty (K) 3 dB(A),  
Sound power (L<sub>WA</sub>) 65 dB(A), uncertainty (K) 3 dB(A)

### Vibration total values (triax vector sum) according to EN 60745:

Screwdriving without impact (a<sub>n, is</sub>) 0.3 m/s<sup>2</sup>,  
uncertainty (K) 1.5 m/s<sup>2</sup>

ENGLISH

## EC declaration of conformity

MACHINERY DIRECTIVE



CS3652LC

Black & Decker declares that these products described under "technical data" are in compliance with: 2006/42/EC, EN 60745-1, EN 60745-2-2.

These products also comply with Directive 2014/30/EU and 2011/65/EU. For more information, please contact Black & Decker at the following address or refer to the back of the manual.

The undersigned is responsible for compilation of the technical file and makes this declaration on behalf of Black & Decker.

R. Laverick  
Engineering Manager  
Black & Decker Europe  
210 Bath Road, Slough  
Berkshire, SL1 3YD  
United Kingdom  
19.01.2015

nearest authorised repair agent by contacting your local BLACK+DECKER office at the address indicated in this manual. Alternatively, a list of authorised BLACK+DECKER repair agents and full details of our after-sales service and contacts are available on the Internet at: [www.2helpU.com](http://www.2helpU.com).

Please visit our website [www.blackanddecker.co.uk](http://www.blackanddecker.co.uk) to register your new BLACK+DECKER product and to be kept up to date on new products and special offers. Further information on the BLACK+DECKER brand and our range of products is available at [www.blackanddecker.co.uk](http://www.blackanddecker.co.uk).

## Guarantee

Black & Decker is confident of the quality of its products and offers an outstanding guarantee. This guarantee statement is in addition to and in no way prejudices your statutory rights. The guarantee is valid within the territories of the Member States of the European Union and the European Free Trade Area.

If a Black & Decker product becomes defective due to faulty materials, workmanship or lack of conformity, within 24 months from the date of purchase, Black & Decker guarantees to replace defective parts, repair products subjected to fair wear and tear or replace such products to ensure minimum inconvenience to the customer unless:

- ◆ The product has been used for trade, professional or hire purposes.
- ◆ The product has been subjected to misuse or neglect.
- ◆ The product has sustained damage through foreign objects, substances or accidents.
- ◆ Repairs have been attempted by persons other than authorised repair agents or Black & Decker service staff.

To claim on the guarantee, you will need to submit proof of purchase to the seller or an authorised repair agent. You can check the location of your

## Bestimmungsgemäße Verwendung

Ihr BLACK+DECKER Akkuschauber wurde für Schraubarbeiten entwickelt. Dieses Gerät ist nicht für den gewerblichen Einsatz vorgesehen.

## Sicherheitshinweise

### Allgemeine Sicherheitswarnungen für das Gerät



**Achtung!** Lesen Sie sämtliche Sicherheitswarnungen und Anweisungen. Die Nichteinhaltung der nachstehend aufgeführten Warnungen und Anweisungen kann einen elektrischen Schlag, Brand und/oder schwere Verletzungen verursachen.

**Bewahren Sie alle Sicherheitswarnungen und Anweisungen gut auf.** Der nachfolgend verwendete Begriff „Gerät“ bezieht sich auf netzbetriebene Geräte (mit Netzkabel) und auf akkubetriebene Geräte (ohne Netzkabel).

#### 1. Sicherheit im Arbeitsbereich

- a. **Sorgen Sie für einen sauberen und gut ausgeleuchteten Arbeitsbereich.** Unordnung oder dunkle Arbeitsbereiche können zu Unfällen führen.
- b. **Verwenden Sie die Geräte nicht in Umgebungen, in denen Explosionsgefahr, z. B. aufgrund von brennbaren Flüssigkeiten, Gasen oder Staub, besteht.** Geräte erzeugen Funken, die den Staub oder die Dämpfe entzünden können.
- c. **Halten Sie Kinder und andere Personen während der Benutzung eines Geräts fern.** Bei Ablenkung können Sie die Kontrolle verlieren.

#### 2. Elektrische Sicherheit

- a. **Der Netzstecker des Geräts muss in die Steckdose passen. Der Stecker darf in keiner Weise verändert werden. Verwenden Sie für schutzgeerdete Geräte keine Adapterstecker.** Unveränderte Stecker und passende Steckdosen verringern das Risiko eines elektrischen Schlags.
- b. **Vermeiden Sie Körperkontakt mit geerdeten Oberflächen von Rohren, Heizungen, Herden und Kühlschränken.** Wenn Ihr Körper geerdet ist, besteht ein erhöhtes Risiko eines elektrischen Schlags.
- c. **Halten Sie Geräte von Regen und Feuchtigkeit fern.** Das Eindringen von Wasser in ein Gerät erhöht das Risiko eines elektrischen Schlags.
- d. **Verwenden Sie das Kabel ordnungsgemäß. Verwenden Sie es niemals zum Tragen.**

**Trennen Sie das Gerät nicht durch Ziehen am Kabel vom Netz. Halten Sie das Kabel fern von Hitze, Öl, scharfen Kanten oder sich bewegenden Teilen.** Beschädigte oder verwickelte Kabel erhöhen das Risiko eines elektrischen Schlags.

- e. **Verwenden Sie für Arbeiten im Freien nur für den Außenbereich zugelassene Verlängerungskabel.** Die Verwendung eines für den Außenbereich geeigneten Verlängerungskabels verringert das Risiko eines elektrischen Schlags.
  - f. **Wenn das Gerät in einer feuchten Umgebung verwendet werden muss, schließen Sie es unbedingt an eine Steckdose mit Fehlerstromschutzschalter (RCD) an.** Die Verwendung eines Fehlerstromschutzschalters verringert das Risiko eines elektrischen Schlags.
- ### 3. Persönliche Sicherheit
- a. **Verwenden Sie das Gerät aufmerksam und vernünftig. Benutzen Sie das Gerät nicht, wenn Sie müde sind oder unter dem Einfluss von Drogen, Alkohol oder Medikamenten stehen.** Ein Moment der Unachtsamkeit beim Gebrauch von Geräten kann zu ernsthaften Verletzungen führen.
  - b. **Verwenden Sie eine geeignete Schutzausrüstung. Tragen Sie stets einen Augenschutz.** Schutzausrüstung wie Staubmaske, rutschfeste Sicherheitsschuhe, Schutzhelm oder Gehörschutz, je nach Art und Einsatz des Geräts, verringert das Risiko von Verletzungen.
  - c. **Vermeiden Sie eine unbeabsichtigte Inbetriebnahme. Vergewissern Sie sich, dass das Gerät ausgeschaltet ist, bevor Sie es an eine Steckdose oder einen Akku anschließen, es hochheben oder tragen.** Durch das Tragen des Geräts mit dem Finger am Schalter oder durch das Anschließen eingeschalteter Geräte werden Unfälle provoziert.
  - d. **Entfernen Sie Einstell- oder Schraubenschlüssel, bevor Sie das Gerät einschalten.** Ein Schlüssel, der sich in einem drehenden Teil befindet, kann zu Verletzungen führen.
  - e. **Beugen Sie sich nicht zu weit nach vorne über. Achten Sie auf einen sicheren Stand, um in jeder Arbeitsposition das Gleichgewicht zu halten.** Dadurch können Sie das Gerät in unerwarteten Situationen besser unter Kontrolle halten.
  - f. **Tragen Sie geeignete Kleidung. Tragen Sie keine weite Kleidung oder Schmuck. Halten Sie Haare, Kleidung und Handschuhe fern**

von sich bewegenden Teilen. Weite Kleidung, Schmuck oder lange Haare können von sich bewegenden Teilen erfasst werden.

- g. **Falls Staubabsaug- und -fangvorrichtungen vorhanden sind, vergewissern Sie sich, dass diese angeschlossen sind und richtig verwendet werden.** Das Verwenden einer Staubfangvorrichtung verringert Gefährdungen durch Staub.
- 4. **Gebrauch und Pflege von Geräten**
  - a. **Überlasten Sie das Gerät nicht. Verwenden Sie das für Ihre Arbeit passende Gerät.** Durch das Arbeiten in dem für das Gerät angegebenen Leistungsbereich erzielen Sie nicht nur optimale Ergebnisse, Sie erhöhen auch die Sicherheit.
  - b. **Verwenden Sie das Gerät nicht, wenn der Ein-/ Ausschalter nicht funktioniert.** Ein Gerät, das sich nicht mehr ein- oder ausschalten lässt, ist gefährlich und muss repariert werden.
  - c. **Ziehen Sie den Stecker aus der Steckdose, und/ oder trennen Sie das Gerät vom Akku, bevor Sie Einstellungen vornehmen, Zubehörteile wechseln oder das Gerät lagern.** Diese Vorsichtsmaßnahme verhindert den unbeabsichtigten Start des Geräts.
  - d. **Bewahren Sie unbenutzte Geräte außerhalb der Reichweite von Kindern auf. Lassen Sie Geräte nicht von Personen benutzen, die damit nicht vertraut sind oder diese Anweisungen nicht gelesen haben.** Geräte sind gefährlich, wenn Sie von unerfahrenen Personen benutzt werden.
  - e. **Halten Sie Geräte in einem einwandfreien Zustand. Kontrollieren Sie, ob bewegliche Teile falsch ausgerichtet sind oder klemmen und ob Teile gebrochen oder so beschädigt sind, dass die Funktion des Geräts beeinträchtigt ist. Lassen Sie beschädigte Geräte vor dem Gebrauch reparieren.** Viele Unfälle haben ihre Ursache in schlecht gewarteten Geräten.
  - f. **Halten Sie Schneidwerkzeuge scharf und sauber.** Sorgfältig gepflegte Schneidwerkzeuge mit scharfen Schneidkanten verklemmen sich seltener und sind leichter zu führen.
  - g. **Verwenden Sie Gerät, Zubehör, Einsätze usw. entsprechend diesen Anweisungen, und berücksichtigen Sie dabei die Arbeitsbedingungen und die auszuführende Arbeit.** Der Gebrauch von Geräten für andere als die vorgesehenen Anwendungen kann zu gefährlichen Situationen führen.

## 5. Gebrauch und Pflege von akkubetriebenen Geräten

- a. **Laden Sie den Akku nur mit dem vom Hersteller vorgesehenen Ladegerät auf.** Die Verwendung von Ladegeräten, die für eine andere Art von Akku bestimmt sind, kann dazu führen, dass sich der Akku beim Laden entzündet.
  - b. **Verwenden Sie nur die für das jeweilige Gerät vorgesehenen Akkus.** Die Verwendung anderer Akkus kann zu Verletzungen oder Bränden führen.
  - c. **Bewahren Sie den Akku bei Nichtbenutzung nicht in der Nähe metallischer Objekte wie Büroklammern, Münzen, Schlüsseln, Nägeln oder Schrauben auf, da diese eine Verbindung zwischen beiden Polen des Akkus herstellen können.** Bei einem Kurzschluss der Akkuanschlüsse besteht Verbrennungs- oder Feuergefahr.
  - d. **Durch unsachgemäßen Gebrauch können Flüssigkeiten aus dem Akku austreten. Berühren Sie diese nicht! Sollten Sie dennoch unbeabsichtigt mit diesen Flüssigkeiten in Berührung kommen, spülen Sie die betroffenen Stellen sofort mit reichlich Wasser. Suchen Sie sofort einen Arzt auf, wenn die Flüssigkeit in Kontakt mit Ihren Augen gekommen ist.** Flüssigkeiten aus Akkus können Hautreizungen oder Verbrennungen hervorrufen.
- ## 6. Service
- a. **Lassen Sie das Gerät nur von qualifiziertem Fachpersonal und nur mit Originalersatzteilen reparieren.** So wird gewährleistet, dass die Sicherheit des Geräts erhalten bleibt.

## Zusätzliche Sicherheitswarnungen für das Gerät



**Achtung!** Zusätzliche Sicherheitshinweise für Akkuschrauber und Schlagschrauber:

- ◆ **Tragen Sie bei der Arbeit mit Schlagschraubern einen Gehörschutz.** Ein hoher Geräuschpegel kann Gehörschäden verursachen.
- ◆ **Verwenden Sie die mitgelieferten Zusatzgriffe.** Wenn Sie die Kontrolle über das Gerät verlieren, kann dies zu Verletzungen führen.
- ◆ **Halten Sie das Gerät an den isolierten Griffflächen fest, wenn Sie Arbeiten ausführen, bei denen verdeckte Kabel beschädigt werden könnten.** Der Kontakt mit stromführenden Leitungen kann auch offenliegende Metallteile am Gerät unter Strom setzen und zu einem Stromschlag führen.

- ◆ **Fixieren Sie das Werkstück mit Zwingen oder ähnlichen Hilfsmitteln auf einer stabilen Oberfläche.** Ein Werkstück, das mit der Hand oder gegen den Körper gehalten wird, ist unzureichend befestigt und kann leicht außer Kontrolle geraten.
- ◆ In dieser Anleitung ist die bestimmungsgemäße Verwendung beschrieben. Die Verwendung von Zubehör oder Anbauteilen, die nicht in dieser Anleitung empfohlen sind, sowie die Bedienung des Geräts in Abweichung von den in dieser Anleitung beschriebenen Verfahren kann zu Verletzungen und/oder Sachschäden führen.



**Achtung!** Schlagschrauber sind keine Drehmomentschrauber. Das Gerät ist nicht dazu geeignet, Verbindungselemente mit einem bestimmten Drehmoment festzuziehen. Ein unabhängiges, kalibriertes Gerät zur Messung des Drehmoments, wie z. B. ein Drehmomentschrauber, sollte verwendet werden, wenn das Verbindungselement durch Unter- oder Überschreiten der Klemmkraft beschädigt werden kann.

### Sicherheit anderer Personen

- ◆ Dieses Gerät darf nicht von Personen (einschließlich Kindern) mit eingeschränkten körperlichen, sensorischen oder geistigen Fähigkeiten sowie mangelnder Erfahrung und Kenntnissen bedient werden, es sei denn, sie werden bei der Verwendung des Geräts von einer erfahrenen Person beaufsichtigt oder angeleitet.
- ◆ Kinder müssen beaufsichtigt werden, um sicherzustellen, dass sie nicht mit dem Gerät spielen.

### Restrisiken.

Beim Gebrauch dieses Geräts verbleiben zusätzliche Restrisiken, die möglicherweise nicht in den Sicherheitswarnungen genannt werden. Diese Risiken bestehen beispielsweise bei Missbrauch oder längerem Gebrauch.

Auch bei der Einhaltung der entsprechenden Sicherheitsvorschriften und der Verwendung aller Sicherheitsgeräte bestehen weiterhin bestimmte Restrisiken. Diese werden im Folgenden aufgeführt:

- ◆ Das Berühren von sich drehenden/bewegenden Teilen kann Verletzungen zur Folge haben.
- ◆ Das Austauschen von Teilen, Messern oder Zubehör kann Verletzungen zur Folge haben.
- ◆ Der längere Gebrauch eines Geräts kann Verletzungen zur Folge haben. Legen Sie bei längerem Gebrauch regelmäßige Pausen ein.

- ◆ Beeinträchtigung des Gehörs.
- ◆ Gesundheitsrisiken durch das Einatmen von Staub beim Gebrauch des Geräts (beispielsweise bei Holzarbeiten, insbesondere Eiche, Buche und Pressspan).

### Vibration

Die in den Abschnitten „Technische Daten“ und „EU Konformitätserklärung“ angegebenen Werte für die Vibrationsemission wurden mit einer Standard-Prüfmethode nach EN 60745 ermittelt und können zum Vergleich verschiedener Geräte herangezogen werden. Außerdem kann mit Hilfe dieses Werts die Belastung bei Verwendung des Geräts schon im Voraus eingeschätzt werden.

**Achtung!** Die bei Verwendung des Geräts auftretende Vibrationsemission hängt von der Art des Gerätegebrauchs ab und kann dementsprechend von dem angegebenen Wert abweichen. Gegebenenfalls kann die Vibration über dem angegebenen Wert liegen.

Mithilfe der ermittelten Werte der Vibrationsbelastung durch Elektrogeräte lassen sich Sicherheitsmaßnahmen festlegen, die gemäß 2002/44/EG zum Schutz von Personen bestimmt sind, die diese Geräte regelmäßig bei der Arbeit verwenden. Bei der Einschätzung der Vibrationsbelastung sollten die Gebrauchsumstände und die Art der Verwendung des Geräts sowie alle Schritte des Arbeitszyklus berücksichtigt werden, wozu Ruhe-, Leerlauf- und Startzeiten gehören.

### Warnsymbole am Gerät

Am Gerät sind folgende Warnsymbole angebracht:



**Achtung!** Lesen Sie vor Gebrauch die Anleitung. Andernfalls besteht Verletzungsgefahr.

### Zusätzliche Sicherheitshinweise für Akkus und Ladegeräte

#### Akkus

- ◆ Auf keinen Fall öffnen.
- ◆ Achten Sie darauf, dass der Akku nicht mit Wasser in Berührung kommt.
- ◆ Nicht bei Temperaturen über 40 °C lagern.
- ◆ Laden Sie den Akku nur bei Umgebungstemperaturen von 10 °C bis 40 °C.
- ◆ Verwenden Sie ausschließlich das mitgelieferte Ladegerät.
- ◆ Beachten Sie der Entsorgung von Akkus oder Batterien die Hinweise im Abschnitt „Umweltschutz“.

## Ladegeräte

- ◆ Verwenden Sie das BLACK+DECKER Ladegerät nur für den Akku des Werkzeugs, mit dem es geliefert wurde. Andere Akkus könnten platzen und Sachschäden oder Verletzungen verursachen.
- ◆ Versuchen Sie keinesfalls, nicht aufladbare Batterien zu laden.
- ◆ Lassen Sie beschädigte Kabel sofort austauschen.
- ◆ Achten Sie darauf, dass das Ladegerät nicht mit Wasser in Berührung kommt.
- ◆ Versuchen Sie nicht, das Ladegerät zu öffnen.
- ◆ Nehmen Sie am Ladegerät keine Veränderungen vor.



Das Ladegerät darf nur im Innenbereich verwendet werden.



Lesen Sie vor Gebrauch die Anleitung.



Ausfallsicherer Trenntrafo. Der Trafoausgang ist elektrisch von der Netzstromversorgung getrennt.



Bei extrem hohen Umgebungstemperaturen schaltet sich das Ladegerät automatisch ab. Das Ladegerät lässt sich danach nicht mehr in Betrieb nehmen. Es muss dann von der Netzstromversorgung getrennt und in einer Vertragswerkstatt repariert werden.

## Elektrische Sicherheit



Das Ladegerät ist schutzisoliert, daher ist keine Erdleitung erforderlich. Stellen Sie sicher, dass die Netzspannung der auf dem Typenschild des Geräts angegebenen Spannung entspricht. Ersetzen Sie das Ladegerät keinesfalls durch ein normales Netzkabel.

- ◆ Bei einer Beschädigung des Netzkabels muss dieses durch den Hersteller oder eine BLACK+DECKER Vertragswerkstatt ausgetauscht werden, um mögliche Gefahren zu vermeiden.

**Achtung!** Ersetzen Sie das Ladegerät keinesfalls durch ein normales Netzkabel.

## Merkmale

Dieses Gerät verfügt über einige oder alle der folgenden Merkmale:

1. Ein-/Ausschalter
2. Vor-/Zurückschaltknopf.
3. Einsatzhalter
4. LED-Leuchte
5. Magnetischer Einsatzhalter

## Abb. A

6. Ladegerät
7. Stecker des Ladegeräts
8. Ladeanschluss

## Montage

### Einsetzen und Entfernen eines Bohr- oder Schraubendrehereinsatzes (Abb. B)

Für dieses Gerät müssen Bohr- und Schraubendrehereinsätze mit Sechskantschaft (6,35 mm (1/4")) verwendet werden.

- ◆ Um einen Einsatz anzubringen, stecken Sie den Schaft des Einsatzes in den Einsatzhalter (3) ein.
- ◆ Um einen Einsatz zu entfernen, ziehen Sie den Einsatz vollständig aus dem Einsatzhalter (3) heraus.

**Hinweis:** Das in den Abbildungen E bis J dargestellte rechwinklige Zubehör gehört nicht zum Lieferumfang des Geräts.

## Gebrauch

**Achtung!** Beschleunigen Sie den Arbeitsvorgang nicht mit Gewalt. Vermeiden Sie eine Überlastung.

- ◆ Vor der erstmaligen Verwendung des Geräts muss der Akku mindestens 9 Stunden lang aufgeladen werden.

## Laden des Akkus (Abb. C)

- ◆ Verbinden Sie den Stecker des Ladegeräts (7) mit dem dafür Ladeanschluss (8).
- ◆ Schließen Sie das Ladegerät (6) an eine Netzsteckdose an.
- ◆ Warten Sie mindestens 15 Stunden, bis der Akku vollständig aufgeladen ist.

Während des Ladevorgangs kann das Ladegerät summen und warm werden. Das ist normal und deutet nicht auf ein Problem hin.

**Achtung!** Verwenden Sie das mitgelieferte Ladegerät ausschließlich zum Laden von Geräten mit der Seriennummer CS3652LC.

**Achtung!** Laden Sie den Akku nicht, wenn die Umgebungstemperatur unter 10 °C oder über 40 °C liegt.

## Auswählen der Drehrichtung (Abb. D)

Verwenden Sie zum Bohren und Anziehen von Schrauben die Vorwärtsdrehung. Verwenden Sie zum Entfernen von Schrauben und verklemmten Bohreinsätzen die Rückwärtsdrehung.

- ◆ Drücken Sie den Vor-/Zurückschaltknopf (2) nach rechts, um die Vorwärtsdrehung einzustellen.



- ◆ Drücken Sie den Vor-/Zurückschaltknopf (2) nach links, um die Rückwärtsdrehung einzustellen.
- ◆ Bewegen Sie den Vor-/Zurückwahlschalter in die mittlere Stellung, um das Gerät zu sperren.

### Bohren/Schrauben

- ◆ Wählen Sie mithilfe des Vor-/Zurückwahlschalters (2) die Vorwärts- bzw. Rückwärtsdrehung aus.
- ◆ Drücken Sie zum Einschalten des Geräts den Ein-/ Ausschalter (1).
- ◆ Lassen Sie zum Ausschalten des Geräts den Ein-/ Ausschalter (1) los.

### LED-Leuchte

Die LED-Leuchte (4) wird beim Drücken des Auslösers automatisch aktiviert. Die LED leuchtet auch auf, wenn der Auslöser gedrückt wird und der Vor-/Zurückwahlschalter (2) sich in der verriegelten (mittleren) Stellung befindet.

### Hinweise für optimale Arbeitsergebnisse

#### Schraubarbeiten

- ◆ Verwenden Sie stets Schraubendrehereinsätze der richtigen Art und Größe.
- ◆ Sollten beim Festziehen von Schrauben Schwierigkeiten auftreten, verwenden Sie etwas Spülmittel oder Seife als Schmiermittel.
- ◆ Machen Sie vom Spindel-Lock Gebrauch, um sehr fest angezogene Schrauben zu lösen oder um Schrauben fest anzuziehen.
- ◆ Halten Sie das Gerät und den Schraubendrehereinsatz stets in gerader Linie zur Schraube.
- ◆ Beim Schrauben in Holz empfiehlt es sich, eine Vorbohrung zu machen, deren Tiefe der Länge der Schraube entspricht. Mit Hilfe der Vorbohrung wird die Schraube gelenkt und etwaiges Splintern oder Verformen des Holzes verhindert. Angaben zur optimalen Größe der Vorbohrung entnehmen Sie bitte der unten stehenden Tabelle.
- ◆ Beim Schrauben in Hartholz sollten Sie vorher ein Führungsloch bohren, dessen Tiefe der Hälfte der Schraubenlänge entsprechen sollte. Angaben zur optimalen Führungslochgröße entnehmen Sie bitte der unten stehenden Tabelle.

Schrauben- größe	Vorbohrung ø (Weichholz)	Vorbohrung ø (Hartholz)	Führungsloch
M 6 (3,5 mm)	2,0 mm	2,5 mm	3,6 mm
M 8 (4 mm)	2,5 mm	3,0 mm	4,5 mm
M 10 (5 mm)	3,0 mm	3,5 mm	5,0 mm

### Vorbohren

- ◆ Stets mit leichtem Druck in gerader Linie mit dem Bohreinsatz arbeiten.
- ◆ Verringern Sie den Druck kurz bevor der Bohreinsatz das Werkstück durchbricht.
- ◆ Verwenden Sie einen Holzklötz als Unterlage unter Werkstücken, die möglicherweise splintern.
- ◆ Erzeugen Sie mithilfe eines Körners eine Vertiefung in der Mitte des zu bohrenden Lochs, um die Genauigkeit der Bohrung zu erhöhen.

### Zubehörteile

Das verwendete Zubehör hat wesentlichen Einfluss auf die Leistung des Geräts. Zubehörteile von BLACK+DECKER und Piranha erfüllen höchste Qualitätsstandards und wurden speziell für die Verwendung mit Ihrem Gerät entwickelt. Bei Verwendung dieses Zubehörs erhalten Sie stets optimale Ergebnisse.

Für dieses Gerät müssen Schraubendrehereinsätze mit Sechskantschaft (6,35 mm (1/4")) verwendet werden. Piranha Super-Lok-Zubehör ist speziell für die Verwendung mit diesem Gerät entwickelt worden.

### Wartung

Ihr BLACK+DECKER Gerät wurde im Hinblick auf eine lange Lebensdauer und einen möglichst geringen Wartungsaufwand entwickelt. Ein dauerhafter, einwandfreier Betrieb setzt eine regelmäßige Pflege und Reinigung voraus.

Das Ladegerät benötigt keine Wartung, es sollte jedoch regelmäßig gereinigt werden.

**Achtung!** Entfernen Sie vor jeglichen Wartungsarbeiten am Gerät den Netzstecker des Ladegeräts aus der Steckdose.

- ◆ Reinigen Sie regelmäßig die Lüftungsschlitze des Geräts und des Ladegeräts mit einer weichen Bürste oder einem trockenen Tuch.
- ◆ Reinigen Sie regelmäßig das Motorgehäuse mithilfe eines feuchten Tuchs. Verwenden Sie keine scheuernden Reinigungsmittel oder Reinigungsmittel auf Lösungsmittelbasis.
- ◆ Öffnen Sie regelmäßig das Spannfutter, und entfernen Sie durch Klopfen Staub aus dem Inneren des Geräts.

### Umweltschutz



Getrennte Entsorgung. Dieses Produkt darf keinesfalls mit dem Hausmüll entsorgt werden.

## DEUTSCH

Sollten Sie Ihr BLACK+DECKER Produkt eines Tages ersetzen oder nicht mehr benötigen, entsorgen Sie es nicht mit dem Hausmüll. Führen Sie das Produkt einer getrennten Sammlung zu.



Durch die getrennte Sammlung von ausgedienten Produkten und Verpackungsmaterialien können Rohstoffe recycelt und wiederverwendet werden. Die Wiederverwendung aufbereiteter Materialien trägt zur Vermeidung von Umweltverschmutzung bei und senkt den Rohstoffbedarf.

Die Verordnung zur Abfallentsorgung Ihrer Gemeinde sieht möglicherweise vor, dass Elektrogeräte getrennt vom Hausmüll gesammelt, an der örtlichen Abfallentsorgungseinrichtung abgegeben oder beim Kauf eines neuen Produkts vom Fachhandel zur Entsorgung angenommen werden müssen.

BLACK+DECKER nimmt Ihre ausgedienten BLACK+DECKER Geräte gern zurück und sorgt für eine umweltfreundliche Entsorgung bzw. Wiederverwertung. Um diese Dienstleistung in Anspruch zu nehmen, geben Sie das Gerät bitte bei einer autorisierten Reparaturwerkstatt ab, die für uns die Einsammlung übernimmt.

Die Adresse der zuständigen Niederlassung von BLACK+DECKER steht in dieser Anleitung. Dort teilt man Ihnen gerne die nächstgelegene Vertragswerkstatt mit. Eine Liste der Vertragswerkstätten und aller Kundendienststellen von BLACK+DECKER sowie der zuständigen Ansprechpartner finden Sie auch im Internet unter: [www.2helpU.com](http://www.2helpU.com).

### Akkus



Im Inneren befinden sich keine zu wartenden Teile.

- ◆ Geben Sie defekte Produkte beim Händler oder einer Sammelstelle ab, damit der Akku recycelt werden kann. Entsorgen Sie das Gerät keinesfalls mit dem Hausmüll.

### Technische Daten

		CS352LC (H1)
Spannung	$V_{DC}$	3,6
Leerlaufdrehzahl	$\text{min}^{-1}$	180
Kippmoment	Nm	5,84
Max. Drehmoment	Nm	5,5
Einsatzhalter	mm	6,35 (1/4")
Gewicht	kg	0,32

<b>Batterie</b>		906146** H1
Spannung	V	3,6
Akkutyp		Lithium-Ionen
Ah (Nennwert)		1,5

<b>Ladegerät</b>		905450** H1
Spannung	$V_{AC}$	230
Ungefähre Ladezeit	Std.	15
Gewicht	kg	0,14

### Schalldruckpegel gemäß EN 60745:

Schalldruck ( $L_{pA}$ ) 54 dB(A), Unsicherheitsfaktor (K) 3 dB(A), Schalleistung ( $L_{WA}$ ) 65 dB(A), Unsicherheitsfaktor (K) 3 dB(A)

### Gesamtvibration (Triax-Vektorsumme) gemäß EN 60745:

Schrauben ohne Schlagbohrfunktion ( $a_{h,IS}$ ) 0,3 m/s<sup>2</sup>, Unsicherheitsfaktor (K) 1,5 m/s<sup>2</sup>

## EG-Konformitätserklärung

MASCHINENRICHTLINIE



CS3652LC

Black & Decker erklärt, dass die in den technischen Daten beschriebenen Geräte übereinstimmen mit: 2006/42/EG, EN 60745-1, EN 60745-2-2.

Diese Produkte entsprechen außerdem den Richtlinien 2014/30/EU und 2011/65/EU. Weitere Informationen erhalten Sie von Black & Decker unter der folgenden Adresse. Diese befindet sich auch auf der Rückseite dieser Anleitung.

Der Unterzeichnete ist verantwortlich für die Zusammenstellung der technischen Daten und gibt diese Erklärung im Namen von Black & Decker ab.

R. Laverick  
Engineering Manager  
Black & Decker Europe  
210 Bath Road, Slough  
Berkshire, SL1 3YD  
Großbritannien  
19.01.2015

### Garantie

Black & Decker vertraut auf die Qualität der eigenen Geräte und bietet dem Käufer eine außergewöhnliche Garantie. Diese Garantiezusage versteht sich unbeschadet der gesetzlichen Gewährleistungsansprüche und schränkt diese keinesfalls ein. Sie gilt in sämtlichen Mitgliedstaaten der Europäischen Union und der Europäischen Freihandelszone EFTA.



Tritt innerhalb von 24 Monaten ab Kaufdatum an einem Gerät von Black & Decker ein auf Material- oder Verarbeitungsfehler zurückzuführender Mangel auf, garantiert Black & Decker den Austausch defekter Teile, die Reparatur von Geräten mit üblichem Verschleiß bzw. den Austausch eines mangelhaften Gerätes, ohne den Kunden dabei mehr als unbedingt nötig in Anspruch zu nehmen, allerdings vorbehaltlich folgender Ausnahmen:

- ◆ Wenn das Gerät gewerblich, beruflich oder im Verleihgeschäft benutzt wurde.
- ◆ Wenn das Gerät missbräuchlich verwendet oder mit mangelnder Sorgfalt behandelt wurde.
- ◆ Wenn das Gerät durch irgendwelche Fremdeinwirkung beschädigt wurde.
- ◆ Wenn ein unbefugter Reparaturversuch durch anderes Personal als das einer Vertragswerkstatt oder des Black & Decker Kundendienstes unternommen wurde.

Zur Inanspruchnahme dieser Garantie ist dem Verkäufer bzw. der Vertragswerkstatt ein Kaufnachweis vorzulegen. Die Adresse der zuständigen Niederlassung von BLACK+DECKER steht in dieser Anleitung. Dort teilt man Ihnen gerne die nächstgelegene Vertragswerkstatt mit. Eine Liste der Vertragswerkstätten und aller Kundendienststellen von BLACK+DECKER sowie der zuständigen Ansprechpartner finden Sie auch im Internet unter: **www.2helpU.com**.

Bitte besuchen Sie unsere Webseite **www.blackanddecker.de**, um Ihr neues BLACK+DECKER Produkt zu registrieren und über neue Produkte und Sonderangebote informiert zu werden. Weitere Informationen über die Marke BLACK+DECKER und unsere Produkte finden Sie unter **www.blackanddecker.de**.

## Usage prévu

Votre tournevis BLACK+DECKER a été spécialement conçu pour les travaux de vissage. Cet outil est destiné à une utilisation exclusivement domestique.

## Consignes de sécurité

### Consignes de sécurité concernant les outils électroportatifs



**Attention !** Lisez avec attention tous les avertissements et toutes les instructions. Le non-respect de cette consigne peut entraîner une électrocution, un incendie et/ou de graves blessures.

**Conservez tous les avertissements et instructions pour référence ultérieure.** La notion d'« outil électroportatif » mentionnée par la suite se rapporte à des outils électriques raccordés au secteur (avec câble de raccordement) ou fonctionnant avec piles (sans fil).

#### 1. Sécurité de la zone de travail

- a. **Maintenez la zone de travail propre et bien éclairée.** Un lieu de travail en désordre ou mal éclairé augmente le risque d'accidents.
- b. **N'utilisez pas les outils électroportatifs dans un environnement présentant des risques d'explosion ni en présence de liquides, gaz ou poussières inflammables.** Les outils électroportatifs génèrent des étincelles risquant d'enflammer les poussières ou les vapeurs.
- c. **Tenez les enfants et autres personnes éloignés durant l'utilisation de l'outil électroportatif.** En cas d'inattention, vous risquez de perdre le contrôle.

#### 2. Sécurité électrique

- a. **La prise de l'outil électroportatif doit être compatible avec la prise d'alimentation. Ne modifiez en aucun cas la prise. N'utilisez pas de prises d'adaptateur avec des appareils ayant une prise de terre.** Le respect de ces consignes réduit le risque de choc électrique.
- b. **Évitez le contact physique avec des surfaces mises à la terre telles que tuyaux, radiateurs, fours et réfrigérateurs.** Il y a un risque élevé de choc électrique si votre corps est relié à la terre.
- c. **N'exposez pas l'outil électroportatif à la pluie ou à l'humidité.** La pénétration d'eau dans un outil électroportatif augmente le risque de choc électrique.
- d. **Préservez le câble d'alimentation. N'utilisez pas le câble pour porter l'outil. Ne le tirez pas pour le débrancher. Maintenez le câble**

**éloigné des sources de chaleurs, des parties huilées, des bords tranchants ou des parties de l'appareil en rotation.** Le risque de choc électrique augmente si les câbles sont endommagés ou emmêlés.

- e. **Si vous utilisez l'outil électroportatif à l'extérieur, utilisez une rallonge homologuée pour une utilisation à l'extérieur.** L'utilisation d'une rallonge électrique homologuée pour les travaux à l'extérieur réduit le risque de choc électrique.
  - f. **Si l'outil doit être utilisé dans un endroit humide, prenez les précautions nécessaires en utilisant un dispositif à courant résiduel (RCD).** L'utilisation d'un tel dispositif réduit les risques d'électrocution.
- ### 3. Sécurité personnelle
- a. **Restez vigilant, surveillez ce que vous faites. Faites preuve de bon sens quand vous utilisez un outil électroportatif. N'utilisez pas l'outil lorsque vous êtes fatigué ou après avoir consommé de l'alcool ainsi que des médicaments.** Un moment d'inattention lors de l'utilisation de l'outil peut entraîner de graves blessures.
  - b. **Portez un équipement de protection. Portez toujours des lunettes de protection.** Selon le travail à effectuer, le port d'équipement de protection tels que masque anti-poussières, chaussures de sécurité antidérapantes, casque ou protection auditive, réduit le risque de blessures.
  - c. **Évitez un démarrage imprévu. L'outil doit être en position OFF (arrêt) avant d'effectuer le branchement à l'alimentation et/ou au bloc batterie, de le ramasser ou de le porter.** Ne laissez pas votre doigt sur le bouton de commande en le transportant. N'alimentez pas l'outil si le bouton est activé. Ceci pourrait être à l'origine d'accident.
  - d. **Enlevez tout outil ou clé de réglage avant de mettre l'appareil en marche.** Une clé ou un outil se trouvant sur une pièce en rotation peut causer des blessures.
  - e. **Adoptez une position confortable. Adoptez une position stable et gardez votre équilibre en permanence.** Vous contrôlerez mieux l'outil dans des situations inattendues.
  - f. **Portez des vêtements appropriés. Ne portez pas de vêtements amples ou de bijoux. N'approchez pas les cheveux, vêtements ou gants des parties des pièces mobiles.** Les vêtements amples, les bijoux ou les cheveux longs peuvent s'accrocher dans les pièces en mouvement.

- g. En cas d'utilisation d'appareils servant à aspirer ou à recueillir les poussières, assurez-vous qu'ils sont correctement raccordés et utilisés.** L'utilisation de tels appareils réduit les dangers dus aux poussières.
- 4. Utilisation des outils électroportatifs et précautions**
- a. Respectez la capacité de l'outil. Utilisez l'outil électroportatif correspondant au travail à effectuer.** Avec un outil approprié, vous travaillerez mieux et en toute sécurité.
- b. N'utilisez pas un outil électroportatif dont l'interrupteur est défectueux.** Un outil électrique qui ne répond pas à la commande marche/arrêt est dangereux et doit être réparé.
- c. Retirez la prise de courant et/ou débranchez le bloc-batterie avant d'effectuer des réglages, de changer les accessoires ou de ranger l'outil.** Cette mesure de précaution empêche de mettre l'outil en marche accidentellement.
- d. Rangez les outils électroportatifs hors de portée des enfants. Les personnes ne connaissant pas l'outil ou n'ayant pas lu ces instructions ne doivent en aucun cas l'utiliser.** Les outils électroportatifs sont dangereux lorsqu'ils sont utilisés par des personnes non initiées.
- e. Entretenez les outils électroportatifs. Vérifiez que les parties mobiles fonctionnent correctement et qu'elles ne sont pas coincées. Vérifiez qu'il n'y a pas de pièces cassées ou endommagées susceptibles de nuire au bon fonctionnement de l'outil. S'il est endommagé, faites réparer l'outil avant de l'utiliser.** De nombreux accidents sont dus à des outils électroportatifs mal entretenus.
- f. Maintenez les outils de coupe aiguisés et propres.** Des outils soigneusement entretenus avec des bords tranchants bien aiguisés se coincent moins souvent et peuvent être guidés plus facilement.
- g. Utilisez les outils électroportatifs, les accessoires, etc., en suivant ces instructions et en tenant compte des conditions de travail, ainsi que du travail à effectuer.** L'utilisation des outils électroportatifs à d'autres fins que celles prévues peut vous mettre en situation dangereuse.
- 5. Utilisation de la batterie et précautions**
- a. Ne rechargez qu'avec le chargeur proposé par le fabricant.** Un chargeur destiné à un type de bloc-batteries risque de provoquer des

incendies s'il est utilisé avec un bloc-batteries différent.

- b. N'utilisez les appareils électroportatifs qu'avec le bloc-batterie approprié.** L'utilisation d'un autre bloc-batteries peut provoquer des blessures ou être à l'origine d'un feu.
- c. Quand le bloc-batterie n'est pas utilisé, éloignez-le d'objets en métal comme des agrafes, des pièces, des clés, des clous, des vis ou autres petits objets qui pourraient établir une connexion d'une borne à l'autre.** Un tel court-circuit peut être à l'origine d'un feu ou de brûlures.
- d. En cas d'utilisation excessive, le liquide peut sortir de la batterie ; évitez tout contact. Si vous n'avez pu éviter le contact, rincez à l'eau. En cas de contact avec les yeux, consultez un médecin.** Le liquide sortant des batteries peut causer des irritations ou des brûlures.
- 6. Réparations**
- a. Faites réparer votre outil électroportatif uniquement par du personnel qualifié et seulement avec des pièces de rechange appropriées.** Cela garantira le maintien de la sécurité de votre outil.

### Consignes de sécurité supplémentaires concernant les outils électroportatifs



**Attention !** Prendre encore plus de précautions avec les tournevis sans fil et les clés à chocs

- ◆ **Portez un serre-tête antibruit si vous utilisez une perceuse à percussion.** L'exposition au bruit peut entraîner la perte de l'ouïe.
- ◆ **Utilisez les poignées auxiliaires livrées avec l'outil.** La perte de contrôle peut entraîner des blessures.
- ◆ **Tenez l'outil électrique au niveau des surfaces de prise isolées lorsque vous l'utilisez à des endroits où la fixation pourrait entrer en contact avec des fils cachés.** En touchant un fil sous tension, la charge électrique passe dans les parties métalliques de l'outil électroportatif et il y a risque de choc électrique.
- ◆ **Utilisez des pinces ou autres pour fixer et soutenir la pièce de manière stable.** Si vous la tenez à la main ou contre votre corps, elle ne sera pas stable et vous pourriez en perdre le contrôle.
- ◆ L'usage prévu de l'outil est décrit dans le présent manuel d'instructions. L'utilisation d'un accessoire ou d'une fixation, ou bien l'utilisation de cet

outil à d'autres fins que celles recommandées dans ce manuel d'instructions peut entraîner des blessures corporelles et/ou des dommages matériels.



**Attention !** Les clés à chocs ne sont pas des clés dynamométriques. N'utilisez pas cet outil pour serrer les fixations à un couple précis. Un autre appareil, tel qu'une clé dynamométrique doit être utilisé si le serrage des fixations n'est pas satisfaisant et risque d'endommager le joint.

## Sécurité des personnes

- ◆ Cet appareil ne doit pas être utilisé par des personnes (y compris les enfants) ayant des déficiences physiques, mentales ou sensorielles. Cette consigne s'applique aussi aux personnes manquant d'expérience et de connaissance du matériel, à moins que celles-ci n'aient reçu les instructions appropriées ou qu'elles ne soient encadrées par une personne responsable de leur sécurité pour utiliser l'appareil.
- ◆ Ne laissez jamais les enfants sans surveillance pour éviter qu'ils ne jouent avec cet outil.

## Risques résiduels.

L'utilisation d'un outil non mentionné dans les consignes de sécurité données peut entraîner des risques résiduels supplémentaires. Ces risques peuvent survenir si l'appareil est mal utilisé, si l'utilisation est prolongée, etc.

Malgré l'application des normes de sécurité correspondantes et la présence de dispositifs de sécurité, les risques résiduels suivants ne peuvent être évités. Ceci comprend :

- ◆ Les blessures dues au contact avec une pièce mobile/ en rotation.
- ◆ Les blessures causées en changeant des pièces, lames ou accessoires.
- ◆ Les blessures dues à l'utilisation prolongée d'un outil. Une utilisation prolongée de l'outil nécessite des pauses régulières.
- ◆ Déficience auditive.
- ◆ Risques pour la santé causés par l'inhalation de poussières produites pendant l'utilisation de l'outil (exemple : travail avec du bois, surtout le chêne, le hêtre et les panneaux en MDF).

## Vibration

La valeur des émissions de vibration déclarée dans la section Déclaration/Données techniques de conformité a été mesurée selon une méthode d'essai standard fournie par la norme EN 60745 et peut être utilisée pour comparer un outil à un autre.

Elle peut aussi être utilisée pour une évaluation préliminaire à l'exposition.

**Attention !** Selon la manière dont l'outil est utilisé, la valeur des émissions de vibration pendant l'utilisation de l'outil peut être différente de la valeur déclarée. Le niveau de vibration peut augmenter au-dessus du niveau établi.

Quand l'exposition aux vibrations est évaluée afin de déterminer les mesures de sécurité requises par la norme 2002/44/CE pour protéger les personnes utilisant régulièrement des outils électroportatif, il faut tenir compte d'une estimation de l'exposition aux vibrations, des conditions actuelles d'utilisation et de la manière dont l'outil est utilisé. Il faut aussi tenir compte de toutes les pièces du cycle de fonctionnement comme la durée pendant laquelle l'outil est arrêté et quand il fonctionne au ralenti, ainsi que la durée du déclenchement.

## Étiquettes de l'outil

Les symboles ci-dessous se trouvent sur l'outil :



**Attention !** Pour réduire le risque de blessures, l'utilisateur doit lire le manuel d'instructions.

## Consignes de sécurité supplémentaires concernant les batteries et les chargeurs

### Batteries

- ◆ En aucun cas, n'essayez d'ouvrir l'outil.
- ◆ Ne mettez pas la batterie en contact avec l'eau.
- ◆ Ne rangez pas l'appareil dans des endroits où la température peut dépasser 40 °C.
- ◆ Ne chargez qu'à température ambiante comprise entre 10 °C et 40 °C.
- ◆ N'utilisez que le chargeur fourni avec l'outil.
- ◆ Pour la mise au rebut des batteries, respectez les instructions mentionnées à la section « Protection de l'environnement ».

### Chargeurs

- ◆ Utilisez exclusivement votre chargeur BLACK+DECKER pour charger la batterie fournie avec l'outil. D'autres batteries pourraient exploser, provoquant des blessures et des dommages.
- ◆ Ne tentez jamais de recharger des batteries non rechargeables.
- ◆ Remplacez immédiatement les fils électriques endommagés.
- ◆ N'approchez pas le chargeur de l'eau.
- ◆ N'ouvrez pas le chargeur.
- ◆ Ne testez pas le chargeur.



Le chargeur ne peut être utilisé qu'à l'intérieur.



Lisez le manuel d'instructions avant d'utiliser l'outil.



Transformateur avec isolation de sécurité. L'alimentation secteur est électriquement indépendante de la sortie du transformateur.



Le chargeur est automatiquement mis hors service si la température ambiante devient trop élevée. Il est alors impossible de l'utiliser. Débranchez alors le chargeur de l'alimentation secteur et faites-le réparer dans un centre agréé.

## Sécurité électrique



Votre chargeur est doublement isolé et ne nécessite donc aucun câble de terre. Vérifiez toujours si la tension indiquée sur la plaque signalétique de l'appareil correspond à la tension de secteur. N'essayez jamais de remplacer le chargeur par une prise secteur.

- ◆ Si le câble d'alimentation est endommagé, il doit être remplacé par le fabricant ou par un Centre de réparation agréé BLACK+DECKER afin d'éviter tout accident.

**Attention !** N'essayez jamais de remplacer le chargeur par une prise secteur.

## Fonctionnalités

Cet outil présente la totalité ou une partie des caractéristiques suivantes.

1. Déclencheur
2. Bouton de commande avant/arrière
3. Support d'embout
4. Témoin lumineux
5. Support d'embout magnétique

## Figure A

6. Chargeur
7. Fiche du chargeur
8. Prise du chargeur

## Assemblage

### Mise en place et retrait d'un foret ou d'un embout de tournevis (figure B)

Cet outil utilise des forets et des embouts de tournevis de forme hexagonale de 6,35 mm (1/4").

- ◆ Pour installer un embout, insérez la tige dans le support (3).
- ◆ Pour retirer un embout, tirez la tige hors du support (3).

**Remarque :** l'accessoire à angle droit illustré aux figures E-J peut ne pas être inclus avec votre outil.

## Utilisation

**Attention !** Laissez l'outil fonctionner à sa propre vitesse. Ne le poussez pas au-delà de sa limite.

- ◆ Avant la première utilisation, la batterie doit être chargée pendant au moins 9 heures.

### Charge de la batterie (figure C)

- ◆ Insérez la fiche du chargeur (7) dans la prise du chargeur (8).
- ◆ Branchez le chargeur (6).
- ◆ Laissez l'outil branché au chargeur pendant 15 heures.

Le chargeur peut chauffer et faire du bruit pendant la charge. Ceci est un phénomène normal qui ne présente aucun problème.

**Attention !** Utilisez exclusivement le chargeur fourni pour charger l'outil CS3652LC.

**Attention !** Ne chargez pas la batterie si la température ambiante est inférieure à 10 °C ou supérieure à 40 °C.

### Sélection du sens de rotation (figure D)

Pour percer ou pour serrer les vis, utilisez la rotation en marche avant. Pour desserrer des vis ou retirer un foret bloqué, utilisez la rotation en marche arrière.

- ◆ Pour sélectionner la rotation en marche avant, poussez le bouton de commande avant/arrière (2) vers la droite.
- ◆ Pour sélectionner la rotation en marche arrière, poussez le bouton de commande avant/arrière (2) vers la gauche.
- ◆ Pour verrouiller l'outil, placez le bouton de commande avant/arrière en position centrale.

### Perçage/vissage

- ◆ Pour sélectionner la rotation en marche avant ou arrière, utilisez le bouton de commande avant/arrière (2).
- ◆ Pour mettre l'outil sous tension, appuyez sur le déclencheur (1).
- ◆ Pour mettre l'outil hors tension, relâchez le déclencheur (1).

### Témoin lumineux

Le témoin lumineux (4) est activé automatiquement en appuyant sur le déclencheur. Le témoin s'allume aussi quand le déclencheur est enfoncé et que le bouton de commande marche/arrêt (2) est en position de déverrouillage (position centrale).

## Conseils pour une utilisation optimale

### Vissage

- ◆ Choisissez toujours un embout de type et de taille appropriés.
- ◆ Si le serrage est difficile, enduisez la vis d'une petite quantité de liquide de vaisselle ou de savon comme lubrifiant.
- ◆ Utilisez le collier de verrouillage pour desserrer des vis trop serrées ou pour serrer fermement les vis.
- ◆ Alignez toujours l'outil et l'embout du tournevis avec la vis.
- ◆ Pour visser dans le bois, il est recommandé de percer un trou de guidage d'une profondeur égale à la longueur de la vis. Ce trou permet de guider la vis et d'éviter les éclats ou la déformation du bois. Pour connaître la taille maximum du trou, reportez-vous au tableau ci-dessous.
- ◆ Pour visser dans du bois dur, il est aussi recommandé de percer un trou de passage mais cette fois-ci, d'une profondeur égale à la moitié de la longueur de la vis. Pour connaître la taille maximum du trou, reportez vous au tableau ci-dessous.

Taille de vis	ø du trou de guidage (bois tendre)	ø du trou de guidage (bois dur)	Trou de passage
N° 6 (3,5 mm)	2,0 mm	2,5 mm	3,6 mm
N° 8 (4 mm)	2,5 mm	3,0 mm	4,5 mm
N° 10 (5 mm)	3,0 mm	3,5 mm	5,0 mm

### Perçage de trous de guidage

- ◆ Appliquez toujours une légère pression en ligne droite sur le foret.
- ◆ Juste avant que le bout du foret atteigne l'autre côté de la pièce à percer, diminuez la pression sur l'outil.
- ◆ Utilisez un bloc de bois pour protéger les pièces à percer afin d'éviter les éclats.
- ◆ Pour plus de précision, marquez à l'aide d'un poinçon central un point au centre du trou à percer.

### Accessoires

Les performances de votre outil dépendent de l'accessoire utilisé. Les accessoires BLACK+DECKER et Piranha sont fabriqués conformément aux normes de qualité supérieure et sont conçus pour optimiser les performances de votre outil. L'utilisation de ces accessoires vous permettra de tirer pleinement profit de votre outil.

Cet outil utilise des embouts de tournevis de forme hexagonale de 1/4" (6,35 mm). Les accessoires Piranha Super-lok sont conçus pour cet outil.

### Entretien

Votre outil BLACK+DECKER a été conçu pour fonctionner pendant longtemps avec un minimum d'entretien. Un fonctionnement continu satisfaisant dépend d'un nettoyage régulier et d'un entretien approprié de l'outil.

Le chargeur ne nécessite aucun entretien particulier, à l'exception d'un nettoyage régulier.

**Attention !** Avant de procéder à un quelconque entretien sur l'outil, débranchez le chargeur.

- ◆ Nettoyez régulièrement les orifices de ventilation de l'outil et du chargeur à l'aide d'une brosse souple ou d'un chiffon sec.
- ◆ Nettoyez régulièrement le compartiment du moteur à l'aide d'un chiffon humide. N'utilisez pas de produit abrasif ou à base de solvant.
- ◆ Ouvrez régulièrement le mandrin et retirez la poussière à l'intérieur en le tapant.

### Protection de l'environnement



Recyclage. Ce produit ne doit pas être jeté avec les déchets ménagers.

Si votre produit BLACK+DECKER doit être remplacé ou si vous ne l'utilisez plus, ne le jetez pas avec les ordures ménagères. Songez à la protection de l'environnement et recyclez-le.



La collecte séparée des produits et des emballages usagés permet de recycler et de réutiliser des matériaux. La réutilisation de matériaux recyclés évite la pollution de l'environnement et réduit la demande de matières premières.

Des réglementations locales peuvent stipuler la collecte séparée des produits électriques et des produits ménagers, dans des déchetteries municipales ou par le revendeur lorsque vous achetez un nouveau produit.

BLACK+DECKER offre une solution permettant de recycler les produits BLACK+DECKER lorsqu'ils ont atteint la fin de leur cycle de vie. Pour pouvoir profiter de ce service, veuillez retourner votre produit à un réparateur agréé qui se chargera de le collecter pour nous.

Pour connaître l'adresse du réparateur agréé le plus proche de chez vous, contactez le bureau BLACK+DECKER à l'adresse indiquée dans ce manuel. Une liste des réparateurs agréés BLACK+DECKER ainsi que des informations détaillées sur notre service après-vente et nos coordonnées sont aussi disponibles sur le site Internet à l'adresse suivante : **www.2helpU.com**.

## Batteries



L'outil ne renferme aucune pièce susceptible d'être réparée par vos soins.

- ◆ Lorsque votre produit est arrivé en fin de vie, confiez le dans sa totalité à votre technicien d'entretien ou à un centre de recyclage afin que la batterie puisse être recyclée. Ne jetez pas l'appareil avec les ordures ménagères.

## Données techniques

		CS352LC (H1)	
Tension	$V_{DC}$		3,6
Vitesse à vide	$\text{min}^{-1}$		180
Couple de blocage dur	Nm		5,84
Couple max.	Nm		5,5
Support d'embout	mm		6,35 (1/4")
Poids	kg		0,32

		906146** H1	
Tension	V		3,6
Type de batterie			Li-Ion
Intensité AH			1,5

		905450** H1	
Tension	$V_{AC}$		230
Durée de charge approximative	h		15
Poids	kg		0,14

### Niveau de pression sonore selon la norme EN 60745 :

Pression sonore ( $L_{pA}$ ) 54 dB(A), incertitude (K) 3 dB(A),

Pression sonore ( $L_{WA}$ ) 65 dB(A), incertitude (K) 3 dB(A)

### Valeurs totales des vibrations (somme vectorielle triaxiale) selon la norme EN 60745 :

Vissage sans impact ( $a_{1,15}$ ) 0,3  $\text{m/s}^2$ , incertitude (K) 1,5  $\text{m/s}^2$

## Déclaration de conformité CE

CONSIGNES DE MACHINERIE



CS3652LC

Black & Decker confirme que les produits décrits dans les « Données techniques » sont conformes aux normes : 2006/42/CE, EN 60745-1, EN 60745-2-2.

Ces produits sont également conformes aux Directives 2014/30/UE et 2011/65/UE. Pour plus de détails, veuillez contacter Black & Decker à l'adresse suivante ou reportez-vous au dos du manuel.

Le soussigné est responsable des données de la fiche technique et fait cette déclaration au nom de Black & Decker.

R.Laverick  
Responsable technique  
Black & Decker Europe  
210 Bath Road, Slough  
Berkshire, SL1 3YD  
Royaume-Uni  
19.01.2015

## Garantie

Black & Decker vous offre une garantie très élargie ainsi que des produits de qualité. Ce certificat de garantie est un document supplémentaire et ne peut en aucun cas se substituer à vos droits légaux. La garantie est valable sur tout le territoire des États Membres de l'Union Européenne et de la Zone de Libre Échange Européenne.

Si un produit Black & Decker s'avère défectueux en raison de matériaux en mauvaises conditions, d'une erreur humaine, ou d'un manque de conformité dans les 24 mois suivant la date d'achat, Black & Decker garantit le remplacement des pièces défectueuses, la réparation des produits usés ou cassés ou remplace ces produits à la convenance du client, sauf dans les circonstances suivantes :

- ◆ Le produit a été utilisé dans un but commercial, professionnel, ou a été loué.
- ◆ Le produit a été mal utilisé ou utilisé avec négligence.
- ◆ Le produit a subi des dommages à cause d'objets étrangers, de substances ou à cause d'accidents.
- ◆ Des réparations ont été tentées par des techniciens ne faisant pas partie du service technique de Black & Decker.



## FRANÇAIS

Pour avoir recours à la garantie, il est nécessaire de fournir une preuve d'achat au vendeur ou à un réparateur agréé. Pour connaître l'adresse du réparateur agréé le plus proche de chez vous, contactez le bureau BLACK+DECKER à l'adresse indiquée dans ce manuel. Une liste des réparateurs agréés BLACK+DECKER ainsi que des informations détaillées sur notre service après vente et nos coordonnées sont aussi disponibles sur le site Internet à l'adresse suivante: **[www.2helpU.com](http://www.2helpU.com)**.

Visitez notre site Web

**[www.blackanddecker.fr](http://www.blackanddecker.fr)** pour enregistrer votre nouveau produit BLACK+DECKER et être informé des nouveaux produits et des offres spéciales. Pour plus d'informations concernant la marque BLACK+DECKER et notre gamme de produits, visitez notre site **[www.blackanddecker.fr](http://www.blackanddecker.fr)**.



## Použití výrobku

Váš šroubovák BLACK+DECKER je určen pro šroubovací práce. Toto nářadí je určeno pouze pro spotřebitelské použití.

## Bezpečnostní pokyny

### Všeobecné bezpečnostní pokyny pro práci s elektrickým nářadím



**Varování!** Přečtěte si všechny bezpečnostní pokyny a bezpečnostní výstrahy. Nedodržení níže uvedených varování a pokynů může vést k způsobení úrazu elektrickým proudem, k vzniku požáru nebo k vážnému zranění.

**Veškerá bezpečnostní varování a pokyny uschovejte pro případné další použití.** Termín „elektrické nářadí“ ve všech upozorněních odkazuje na vaše nářadí napájené ze sítě (je opatřeno napájecím kabelem) nebo nářadí napájené baterií (bez napájecího kabelu).

#### 1. Bezpečnost v pracovním prostoru

- a. **Udržujte pracovní prostor čistý a dobře osvětlený.** Přeplněný a neosvětlený pracovní prostor může vést k způsobení úrazů.
- b. **Nepracujte s elektrickým nářadím ve výbušném prostředí, jako jsou prostory s výskytem hořlavých kapalin, plynů nebo prašných látek.** V elektrickém nářadí dochází k jiskření, které může způsobit vznícení hořlavého prachu nebo výparů.
- c. **Při práci s elektrickým nářadím zajistěte bezpečnou vzdálenost dětí a ostatních osob.** Rozptylování může způsobit ztrátu kontroly nad nářadím.

#### 2. Elektrická bezpečnost

- a. **Zástrčka napájecího kabelu nářadí musí odpovídat zásuvce. Zástrčku nikdy žádným způsobem neupravujte. Nepoužívejte u uzemněného elektrického nářadí žádné upravené zástrčky.** Neupravené zástrčky a odpovídající zásuvky snižují riziko způsobení úrazu elektrickým proudem.
- b. **Nedotýkejte se uzemněných povrchů, jako jsou například potrubí, radiátory, elektrické sporáky a chladničky.** Při uzemnění vašeho těla vzrůstá riziko úrazu elektrickým proudem.
- c. **Nevystavujte elektrické nářadí dešti nebo vlhkému prostředí.** Vnikne-li do elektrického nářadí voda, zvýší se riziko úrazu elektrickým proudem.
- d. **S napájecím kabelem zacházejte opatrně. Nikdy nepoužívejte napájecí kabel k přenášení**

**nebo posouvání nářadí a netahajte za něj, chcete-li nářadí odpojit od elektrické sítě.**

**Zabraňte kontaktu kabelu s mastnými, horčími a ostrými předměty nebo pohyblivými částmi.** Poškozený nebo zauzlený napájecí kabel zvyšuje riziko úrazu elektrickým proudem.

- e. **Při práci s nářadím venku používejte prodlužovací kabely určené pro venkovní použití.** Použití kabelu pro venkovní použití snižuje riziko úrazu elektrickým proudem.
- f. **Musíte-li s elektrickým nářadím pracovat ve vlhkém prostředí, použijte napájecí zdroj s proudovým chráničem (RCD).** Použití proudového chrániče (RCD) snižuje riziko úrazu elektrickým proudem.

#### 3. Bezpečnost obsluhy

- a. **Při použití elektrického nářadí zůstaňte stále pozorní, sledujte, co provádíte a pracujte s rozvahou. Nepracujte s elektrickým nářadím, jste-li unavení nebo jste-li pod vlivem drog, alkoholu nebo léků.** Chvilka nepozornosti při práci s elektrickým nářadím může vést k vážnému úrazu.
- b. **Používejte prvky osobní ochrany. Vždy používejte ochranu zraku.** Ochranné prostředky jako respirátor, neklouzavá pracovní obuv, přilba a chrániče sluchu, používané v příslušných podmínkách, snižují riziko poranění osob.
- c. **Zabraňte náhodnému spuštění nářadí. Před připojením zdroje napětí nebo před vložením baterie a před zvednutím nebo přenášením nářadí zkontrolujte, zda je spínač v poloze vypnuto.** Přenášení elektrického nářadí s prstem na spínači nebo připojení nářadí k napájecímu zdroji, je-li spínač nářadí v poloze zapnuto, může způsobit úraz.
- d. **Před spuštěním nářadí se vždy ujistěte, zda nejsou v jeho blízkosti klíče nebo seřizovací přípravky.** Seřizovací klíče ponechané na nářadí mohou být zachyceny rotujícími částmi nářadí a mohou způsobit úraz.
- e. **Nepřekázejte sami sobě. Při práci vždy udržujte vhodný postoj a rovnováhu.** Tak je umožněna lepší ovladatelnost nářadí v neočekávaných situacích.
- f. **Vhodně se oblékejte. Nenoste volný oděv nebo šperky. Dbejte na to, aby se vaše vlasy, oděv a rukavice nedostaly do kontaktu s pohyblivými částmi.** Volný oděv, šperky nebo dlouhé vlasy mohou být pohyblivými díly zachyceny.
- g. **Jsou-li zařízení vybavena adaptérem pro připojení příslušenství k zachytávání prachu, zajistěte jeho správné připojení a řádnou**

funkci. Použití těchto zařízení může snížit nebezpečí tykající se prachu.

4. **Použití elektrického nářadí a jeho údržba**
  - a. **Nepřetěžujte elektrické nářadí. Používejte pro prováděnou práci správný typ nářadí.** Při použití správného typu nářadí bude práce provedena lépe a bezpečněji.
  - b. **Nelze-li spínač nářadí zapnout a vypnout, s nářadím nepracujte.** Každé elektrické nářadí s nefunkčním spínačem je nebezpečné a musí být opraveno.
  - c. **Před seřizováním nářadí, před výměnou příslušenství nebo pokud nářadí nepoužíváte, odpojte zástrčku napájecího kabelu od zásuvky nebo z nářadí vyjměte baterii.** Tato preventivní bezpečnostní opatření snižují riziko náhodného spuštění nářadí.
  - d. **Uložte elektrické nářadí mimo dosah dětí a nedovolte ostatním osobám, které toto nářadí neumí ovládat nebo které neznají tyto bezpečnostní pokyny, aby s tímto elektrickým nářadím pracovaly.** Elektrické nářadí je v rukou nekvalifikované obsluhy nebezpečné.
  - e. **Provádějte údržbu elektrického nářadí. Zkontrolujte vychýlení nebo zablokování pohyblivých částí, poškození jednotlivých dílů a jiné okolnosti, které mohou ovlivnit chod nářadí. Pokud je nářadí poškozeno, nechte je opravit.** Mnoho nehod bývá způsobeno zanedbanou údržbou nářadí.
  - f. **Udržujte řezné nástroje ostré a čisté.** Řádně udržované řezné nástroje s ostrými řeznými břity jsou méně náchylné k zanášení nečistotami a lépe se s nimi pracuje.
  - g. **Používejte elektrické nářadí, příslušenství a pracovní nástroje podle těchto pokynů a berte v úvahu provozní podmínky a práci, která bude prováděna.** Použití elektrického nářadí k jiným účelům, než k jakým je určeno, může být nebezpečné.
5. **Použití nářadí napájeného baterií a jeho údržba**
  - a. **Nabíjejte pouze v nabíječce určené výrobcem.** Nabíječka vhodná pro jeden typ baterie může při vložení jiného nevhodného typu baterie způsobit požár.
  - b. **Používejte elektrické nářadí výhradně s bateriemi, které jsou pro daný typ nářadí určeny.** Použití jiných typů baterií může způsobit vznik požáru nebo zranění.
  - c. **Není-li baterie používána, uložte ji mimo dosah kovových předmětů, jako jsou kancelářské sponky na papír, mince, klíče,**

**hřebíky, šroubky nebo další drobné kovové předměty, které mohou způsobit zkratování kontaktů baterie.** Zkratování kontaktů baterie

- může vést k způsobení popálenin nebo požáru.
- d. **V nevhodných podmínkách může z baterie unikat kapalina. Vyvarujte se kontaktu s touto kapalinou. Dojde-li k náhodnému kontaktu s touto kapalinou, zasažené místo omyjte vodou. Při zasažení očí potřísněné místo omyjte a vyhledejte lékařskou pomoc.** Unikající kapalina z baterie může způsobit podráždění pokožky nebo popáleniny.
6. **Servis**
    - a. **Opravy elektrického nářadí svěřte pouze kvalifikovanému technikovi, který bude používat originální náhradní díly.** Tím zajistíte bezpečný provoz nářadí.

## Doplňkové bezpečnostní pokyny pro práci s elektrickým nářadím



**Varování!** Doplňkové bezpečnostní pokyny pro šroubováky a rázové klíče

- ♦ **Při práci s tímto nářadím používejte ochranu sluchu.** Nadměrná hlučnost může způsobit ztrátu sluchu.
- ♦ **Používejte přidavné rukojeti dodávané s nářadím.** Ztráta kontroly nad nářadím může vést k úrazu.
- ♦ **Při pracovních operacích, u kterých by mohlo dojít ke kontaktu montážního prvku se skrytými elektrickými vodiči, držte elektrické nářadí vždy za izolované rukojeti.** Montážní prvky, které se dostanou do kontaktu s „živým“ vodičem, způsobí, že neizolované kovové části elektrického nářadí budou také „živé“, což může obsluze způsobit úraz elektrickým proudem.
- ♦ **Pro zajištění a upnutí obrobku k pracovnímu stolu používejte svorky nebo jiné vhodné prostředky.** Držení obrobku rukou nebo opření obrobku o část těla nezajistí jeho stabilitu a může vést k ztrátě kontroly.
- ♦ **Určené použití tohoto výrobku je popsáno v tomto návodu k použití. Použití jiného příslušenství nebo přidavného zařízení a provádění jiných pracovních operací, než je doporučeno tímto návodem, může představovat riziko zranění obsluhy nebo riziko způsobení hmotných škod.**



**Varování!** Rázové utahováký nejsou momentové klíče. Nepoužívejte toto nářadí pro utahování montážních prvků předepsaným utahovacím momentem. U nedostatečně nebo nadměrně dotažených montážních prvků by mělo být používáno kalibrované měřicí zařízení, jako je momentový klíč, aby nedošlo k selhání spoje.

### Bezpečnost ostatních osob

- ♦ Tento výrobek není určen k použití osobami (včetně dětí) se sníženými fyzickými, smyslovými nebo duševními schopnostmi, nebo s nedostatkem zkušeností a znalostí, pokud těmto osobám nebyl stanoven dohled, nebo pokud jim nebyly poskytnuty instrukce týkající se použití výrobku osobou odpovědnou za jejich bezpečnost.
- ♦ Děti by měly být pod dozorem, aby bylo zajištěno, že si s tímto nářadím nebudou hrát.

### Zbytková rizika

Je-li nářadí používáno jiným způsobem, než je uvedeno v příložených bezpečnostních varováních, mohou se objevit dodatečná zbytková rizika. Tato rizika mohou vzniknout v důsledku nesprávného použití, dlouhodobého použití atd.

Přestože jsou dodržovány příslušné bezpečnostní předpisy a jsou používána bezpečnostní zařízení, určitá zbytková rizika nemohou být vyloučena. Tato rizika jsou následující:

- ♦ Zranění způsobená kontaktem s jakoukoli rotující nebo pohybující se částí nářadí.
- ♦ Zranění způsobená při výměně dílů, pracovního nástroje nebo příslušenství.
- ♦ Zranění způsobená dlouhodobým použitím nářadí. Používáte-li jakékoli nářadí delší dobu, zajistěte, aby byly prováděny pravidelné přestávky.
- ♦ Poškození sluchu.
- ♦ Zdravotní rizika způsobená vdechováním prachu vytvářeného při použití nářadí (příklad: - práce se dřevem, zejména s dubovým, bukovým a MDF).

### Vibrace

Deklarovaná úroveň vibrací uvedená v technických údajích a v prohlášení o shodě byla měřena v souladu se standardní zkušební metodou předepsanou normou EN 60745 a může být použita pro srovnání jednotlivých nářadí mezi sebou. Deklarovaná úroveň vibrací může být také použita k předběžnému stanovení doby práce s tímto nářadím.

**Varování!** Úroveň vibrací při aktuálním použití elektrického nářadí se může od deklarované úrovně vibrací lišit v závislosti na způsobu použití nářadí. Úroveň vibrací může být vzhledem k uvedené hodnotě vyšší.

Při stanovení doby působení vibrací z důvodu určení bezpečnostních opatření podle požadavků normy 2002/44/EC k ochraně osob pravidelně používajících elektrické nářadí v zaměstnání, by měl předběžný odhad působení vibrací brát na zřetel aktuální podmínky použití nářadí s přihlédnutím na všechny části pracovního cyklu, jako jsou doby, při kterých je nářadí vypnuto a kdy běží naprázdno.

### Štítky na nářadí

Na nářadí jsou zobrazeny následující piktogramy:



**Varování!** Z důvodu snížení rizika způsobení úrazu si uživatel musí přečíst tento návod k obsluze.

### Další bezpečnostní pokyny pro baterie a nabíječky

#### Baterie

- ♦ Baterii nikdy ne ze žádného důvodu nerozebírejte.
- ♦ Zabraňte kontaktu baterie s vodou.
- ♦ Neskladujte baterie na místech, kde může teplota přesáhnout 40 °C.
- ♦ Nabíjejte baterie pouze při teplotách v rozsahu od 10 do 40 °C.
- ♦ Provádějte nabíjení pouze nabíječkou dodanou s nářadím.
- ♦ Při likvidaci baterie se řiďte pokyny uvedenými v části „Ochrana životního prostředí“.

#### Nabíječky

- ♦ Používejte nabíječku BLACK+DECKER pouze k nabíjení baterie, která byla dodána s tímto nářadím. Jiné baterie mohou prasknout, způsobit zranění nebo jiné škody.
- ♦ Nikdy se nepokoušejte nabíjet baterie, které nejsou k nabíjení určeny.
- ♦ Poškozené kabely ihned vyměňte.
- ♦ Zabraňte kontaktu nabíječky s vodou.
- ♦ Nesnažte se nabíječku demontovat.
- ♦ Nepokoušejte se do nabíječky proniknout.



Tato nabíječka není určena pro venkovní použití.



Před použitím si pečlivě přečtete tento návod.



Bezpečnostní oddělovací transformátor. Napájení je elektricky odděleno od výstupu transformátoru.



Je-li okolní teplota příliš vysoká, nabíječka se automaticky vypne. V důsledku toho bude nabíječka mimo provoz. Zařízení musí být odpojeno od elektrické sítě a musí být zasláno do autorizovaného servisu, kde bude opraveno.

## Elektrická bezpečnost



Tato nabíječka je opatřena dvojitou izolací. Proto není nutné použití uzemňovacího vodiče. Vždy zkontrolujte, zda napětí v elektrické síti odpovídá napětí, které je uvedeno na výkonovém štítku. Nikdy se nepokoušejte nahradit nabíječku přímým připojením k síťové zásuvce.

- ♦ Je-li poškozen napájecí kabel, musí být vyměněn výrobcem nebo v autorizovaném servisu BLACK+DECKER, aby bylo zabráněno možným rizikům.

**Varování!** Nikdy se nepokoušejte nahradit nabíječku přímým připojením k síťové zásuvce.

## Popis

Toto nářadí se skládá z některých nebo ze všech následujících částí.

1. Spínač zapnuto/vypnuto
2. Tlačítko pro chod vpřed/vzad
3. Držák nástrojů
4. LED diodová svítilna
5. Magnetický držák nástrojů

## Obr. A

6. Nabíječka
7. Kolíkový konektor nabíječky
8. Nabíjecí konektor

## Sestavení

### Upnutí a vyjmutí vrtáku nebo šroubovacího nástavce (obr. B)

Toto nářadí používá šroubovací nástavce a vrtáky se šestihrannou upínací stopkou 6,35 mm (1/4").

- ♦ Chcete-li upnout pracovní nástroj, zasuňte jeho upínací stopku do držáku nástrojů (3).
- ♦ Chcete-li pracovní nástroj vyjmout, vysuňte jeho upínací stopku z držáku nástrojů (3).

**Poznámka:** Pravoúhlé příslušenství, které je zobrazeno na obr. E - J, nemusí být s vašim nářadím dodáváno.

## Použití

**Varování!** Nechejte nářadí pracovat jeho vlastním tempem. Zamezte přetěžování nářadí.

- ♦ Před prvním použitím musí být baterie nabíjena minimálně 15 hodin.

## Nabíjení baterie (obr. C)

- ♦ Zasuňte kolíkový konektor nabíječky (7) do nabíjecího konektoru (8).
- ♦ Připojte nabíječku (6) k síti.
- ♦ Nechejte nářadí propojeno s nabíječkou 15 hodin.

Nabíječka se může během nabíjení zahřívat. Jedná se o normální stav, který neznámá žádný problém.

**Varování!** Pro nabíjení tohoto modelu CS3652LC používejte pouze dodanou nabíječku.

**Varování!** Nenabíjejte baterii při teplotách nižších než 10 °C nebo vyšších než 40 °C.

## Volba směru otáčení (obr. D)

Pro vrtání a utahování šroubů použijte chod vpřed. Při povolování šroubů a uvolňování zaseknutého vrtáku použijte chod vzad.

- ♦ Chcete-li zvolit chod vpřed, zatlačte tlačítko pro chod vpřed/vzad (2) doprava.
- ♦ Chcete-li zvolit chod vzad, zatlačte tlačítko pro chod vpřed/vzad (2) doleva.
- ♦ Chcete-li nářadí zablokovat, nastavte tlačítko pro chod vpřed/vzad do středové polohy.

## Vrtání/šroubování

- ♦ Pomocí tlačítka pro chod vpřed/vzad (2) zvolte směr otáčení vpřed nebo vzad.
- ♦ Chcete-li nářadí zapnout, stiskněte spínač zapnuto/vypnuto (1).
- ♦ Chcete-li nářadí vypnout, uvolněte spínač zapnuto/vypnuto (1).

## LED diodová svítilna

Diodová svítilna (4) se automaticky rozsvítí při stisknutí spouštěcího spínače. Tato svítilna bude svítit také v situaci, kdy bude stisknutý spouštěcí spínač a tlačítko pro chod vpřed/vzad (2) bude ve středové blokovací poloze.

## Rady pro optimální použití

### Šroubování

- ♦ Vždy používejte správný typ a velikost šroubovacího nástavce.
- ♦ Nejdou-li šrouby správně přitáhnout, použijte jako mazivo malé množství saponátu nebo mýdlového roztoku.
- ♦ K uvolnění velmi utažených šroubů nebo potřebujete-li šrouby silně dotáhnout, použijte zajištění hřídele.
- ♦ Vždy držte nářadí se šroubovacím nástavcem v jedné ose se šroubem.
- ♦ Při šroubování do dřeva vám doporučujeme vrtat vodicí otvor, jehož hloubka bude odpovídat

délce šroubu. Vodicí otvor vede šroub a zabraňuje štípání dřeva nebo jeho deformacím. Optimální velikosti vodicích otvorů jsou uvedeny v následující tabulce.

- ◆ Při šroubování do tvrdého dřeva vám doporučujeme vyvrtat otvor s vůlí, jehož hloubka bude odpovídat polovině délky šroubu. Optimální velikosti otvorů s vůlí jsou uvedeny v následující tabulce.

Velikost šroubu	Vodicí otvor ø (měkké dřevo)	Vodicí otvor ø (tvrdé dřevo)	Otvor s vůlí
Č. 6 (3,5 mm)	2,0 mm	2,5 mm	3,6 mm
Č. 8 (4 mm)	2,5 mm	3,0 mm	4,5 mm
Č. 10 (5 mm)	3,0 mm	3,5 mm	5,0 mm

### Vrtání vodicích otvorů

- ◆ Vždy vyvíjejte mírný tlak v ose vrtáku.
- ◆ Těsně před proniknutím špičky vrtáku druhou stranou obrobku zmenšíte tlak vyvíjený na nářadí.
- ◆ Podložte obrobek kouskem dřeva, aby při průniku vrtáku nedocházelo k tvorbě třísek na povrchu obrobku.
- ◆ Pro zvýšení přesnosti vrtání si vždy uprostřed díry, kterou chcete vrtat, vytvořte na povrchu obrobku pomocí průbojníku vodicí značku.

### Příslušenství

Výkon vašeho nářadí závisí na používaném příslušenství. Příslušenství BLACK+DECKER a Piranha jsou navržena a vyrobena podle norem pro vysokou kvalitu a jsou určena pro zvýšení výkonu vašeho nářadí. Použitím tohoto příslušenství docílíte nejlepšího výsledku, jaký vám vaše nářadí může poskytnout. Toto nářadí používá šroubovací nástavce s upínacím šestihranem 6,35 mm (1/4"). Pro použití s tímto nářadím je určeno také příslušenství Piranha Super-lok.

### Údržba

Vaše nářadí BLACK+DECKER bylo zkonstruováno tak, aby pracovalo po dlouhou dobu s minimálními nároky na údržbu. Řádná péče o nářadí a jeho pravidelné čištění vám zajistí jeho bezproblémový chod.

Vaše nabíječka nevyžaduje žádnou údržbu mimo pravidelné čištění.

**Varování!** Před prováděním jakékoli údržby na tomto nářadí a před čištěním odpojte nabíječku.

- ◆ Větrací otvory nářadí a nabíječky pravidelně čistěte měkkým kartáčem nebo suchým hadříkem.
- ◆ Pomocí vlhkého hadříku pravidelně čistěte kryt motoru. Nepoužívejte žádné abrazivní čisticí prostředky nebo rozpouštědla.

- ◆ Pravidelně otvírejte sklíčko a poklepáním odstraňte prach z jeho vnitřních částí.

### Ochrana životního prostředí



Třídte odpad. Tento výrobek nesmí být likvidován v běžném domácím odpadu.

Pokud nebudete výrobek BLACK+DECKER dále používat nebo přejete-li si jej nahradit novým, nelikvidujte jej spolu s běžným komunálním odpadem. Zajistěte likvidaci tohoto výrobku v tříděném odpadu.



Tříděný odpad umožňuje recyklaci a opětovné využití použitých výrobků a obalových materiálů. Opětovné použití recyklovaných materiálů pomáhá chránit životní prostředí před znečištěním a snižuje spotřebu surovin.

Při zakoupení nových výrobků vám prodejny, místní sběrný odpadů nebo recyklační stanice poskytnou informace o správné likvidaci elektroodpadů z domácnosti.

Společnost BLACK+DECKER poskytuje službu sběru a recyklace výrobků BLACK+DECKER po skončení jejich provozní životnosti. Chcete-li využít výhody této služby, odevzdejte prosím váš výrobek kterémukoli zástupci autorizovaného servisu, který zařízení odebere a zajistí jeho recyklaci.

Místo nejbližšího autorizovaného servisu BLACK+DECKER naleznete na příslušné adrese uvedené v tomto návodu. Seznam autorizovaných servisů BLACK+DECKER a podrobnosti o poprodejním servisu naleznete také na internetové adrese: [www.2helpU.com](http://www.2helpU.com).

### Baterie



V tomto výrobku nejsou žádné části, které by mohl opravit uživatel.

- ◆ Po ukončení provozní životnosti vašeho výrobku odevzdejte celou jednotku zástupci servisu nebo v místním sběrném dvoře, kde zajistí recyklaci baterie. Nevyhazujte toto nářadí do běžného domácího odpadu.



## Technické údaje

		CS3652LC (H1)
Napájecí napětí	V	3,6
Otáčky naprázdno	min <sup>-1</sup>	180
Mezní moment	Nm	5,84
Maximální moment	Nm	5,5
Držák nástrojů	mm	6,35 (1/4")
Hmotnost	kg	0,32

Baterie		906146** H1
Napájecí napětí	V	3,6
Typ baterie		Li-Ion
Kapacita (Ah)		1,5

Nabíječka		905450** H1
Napájecí napětí	V	230
Přibližná doba nabíjení	hod	15
Hmotnost	kg	0,14

### Hladina akustického tlaku podle normy EN 60745:

Akustický tlak ( $L_{pA}$ ) 54 dB (A), odchylka (K) 3 dB (A),  
Akustický výkon ( $L_{WA}$ ) 65 dB (A), odchylka (K) 3 dB (A)

### Cellková úroveň vibrací (prostorový vektorový součet) podle normy EN 60745:

Šroubování bez rázů ( $a_{h,IS}$ ) 0,3 m/s<sup>2</sup>, odchylka (K) 1,5 m/s<sup>2</sup>

## ES Prohlášení o shodě SMĚRNICE PRO STROJNÍ ZAŘÍZENÍ



CS3652LC

Společnost Black & Decker prohlašuje, že tyto produkty popisované v technických údajích splňují požadavky následujících norem: 2006/42/EC, EN 60745-1, EN 60745-2-2.

Tyto výrobky splňují také požadavky směrnice 2014/30/EU a 2011/65/EU. Chcete-li získat další informace, kontaktujte prosím společnost Black & Decker na následující adrese nebo na adresách, které jsou uvedeny na konci tohoto návodu.

Níže podepsaná osoba je odpovědná za sestavení technických údajů a provádí toto prohlášení v zastoupení společnosti Black & Decker.

R. Laverick  
Technický ředitel  
Black & Decker Europe  
210 Bath Road, Slough  
Berkshire, SL1 3YD  
United Kingdom  
19.01.2015

## Záruka

Společnost Black & Decker je přesvědčena o kvalitě svých výrobků a nabízí mimořádnou záruku. Tato záruka je nabízena ve prospěch zákazníka a nijak neovlivní jeho zákonná záruční práva. Tato záruka platí ve všech členských státech EU a evropské zóny volného obchodu EFTA.

Objeví-li se na výrobku Black & Decker, v průběhu 24 měsíců od zakoupení, jakékoli materiálové či výrobní vady, společnost Black & Decker garantuje ve snaze o minimalizování vašich starostí bezplatnou výměnu vadných dílů, opravu nebo výměnu celého výrobku za níže uvedených podmínek:

- ◆ Výrobek nebyl používán pro obchodní nebo profesionální účely a nedocházelo k jeho pronájmu.
- ◆ Výrobek nebyl vystaven nesprávnému použití a nebyla zanedbána jeho předepsaná údržba.
- ◆ Výrobek nebyl poškozen cizím zaviněním.
- ◆ Opravy nebyly prováděny jinými osobami, než autorizovanými opraváři nebo mechaniky autorizovaného servisu Black & Decker.

Požadujete-li záruční opravu, budete muset prodejci nebo zástupci autorizovaného servisu předložit doklad o zakoupení výrobku. Místo nejbližšího autorizovaného servisu Black & Decker naleznete na příslušné adrese uvedené v tomto návodu. Seznam autorizovaných servisů Black & Decker a podrobnosti o poprodejním servisu naleznete také na internetové adrese: [www.2helpU.com](http://www.2helpU.com).

Navštivte prosím naše internetové stránky [www.blackanddecker.co.uk](http://www.blackanddecker.co.uk), kde můžete zaregistrovat váš nový výrobek BLACK+DECKER a kde můžete získat informace o našich nových výrobcích a speciálních nabídkách. Na adrese [www.blackanddecker.co.uk](http://www.blackanddecker.co.uk) jsou k dispozici další informace o značce BLACK+DECKER a o celé řadě našich dalších výrobků.

## Rendeltetésszerű használat

Az Ön BLACK+DECKER gyártmányú csavarozóját csavarozási munkákhoz terveztük. Ez a szerszám iparszerű felhasználásra nem alkalmas.

## Biztonságtechnikai előírások

### Elektromos szerszámokra vonatkozó általános biztonságtechnikai figyelmeztetések



**Figyelmeztetés!** Olvasson el minden biztonságtechnikai figyelmeztetést és útmutatást. Az alábbi figyelmeztetések és útmutatások be nem tartása áramütést, tüzet és/vagy súlyos személyi sérülést okozhat.

**Őrizze meg a figyelmeztetéseket és a használati útmutatót későbbi használatra.** Az „elektromos szerszám” kifejezés a figyelmeztetéseken az Ön által használt hálózati (vezetékes) vagy akkumulátoros (vezeték nélküli) elektromos szerszámot jelenti.

#### 1. A munkaterület biztonsága

- A munkaterületet tartsa tisztán és világítsa meg jól.** A rendetlen vagy sötét munkaterület növeli a balesetveszélyt.
- Ne használja a szerszámot robbanás- és tűzveszélyes légtérben, például gyúlékony folyadékok, gázok vagy por közelében.** Elektromos szerszámok használatakor szikra keletkezhet, amely begyűjthetja a port vagy gázt.
- A szerszám használata közben tartsa távol a gyerekeket és az arra járókat.** Ha elterelik a figyelmét, elveszítheti a szerszám feletti uralmát.

#### 2. Elektromos biztonság

- Az elektromos kéziszerszám dugasza a hálózati csatlakozóaljzat kialakításának megfelelő legyen. Soha, semmilyen módon ne alakítsa át a csatlakozódugót. A földelt elektromos szerszámokhoz ne használjon adapter dugaszt.** Eredeti (nem átalakított) csatlakozó és ahhoz illő konnektor használata mellett kisebb az áramütés veszélye.
- Ügyeljen arra, hogy teste ne érintkezzék földelt felületekkel, például csővezetékekkel, radiátorral, tűzhellyel és hűtőszekrénnel.** Ha teste földelést kap, nagyobb az áramütés veszélye.
- Esőtől és egyéb nedvességtől óvja az elektromos szerszámot.** Ha víz kerül az elektromos szerszám belsejébe, nő az áramütés veszélye.
- Gondosan bánjon a kábellel. Az elektromos szerszámot soha ne hordozza és ne húzza**

a tápkábelnél fogva, a dugaszt pedig ne a kábelnél fogva húzza ki a konnektorból. Tartsa távol a kábelt éles széléktől, mozgó alkatrészekről, védje olajtól és hőtől. A sérült vagy összetekeredett kábel növeli az áramütés veszélyét.

- A szabadban kizárólag csak arra alkalmas hosszabbító kábelt szabad használni.** Kültéri használatra alkalmas hosszabbító kábel használata mellett kisebb az áramütés veszélye.
- Ha az elektromos szerszám nedves helyen való használata elkerülhetetlen, az elektromos biztonság növelhető egy hibaáramvédő kapcsoló (RCD) előkapcsolásán keresztül.** Hibaáramvédő kapcsoló használata mellett kisebb az áramütés veszélye.

#### 3. Személyes biztonság

- Elektromos szerszám használata közben ne vesztse el éberségét, figyeljen mindig arra, amit tesz, használja a józan eszét. Ne használja a szerszámot, ha fáradt, ha gyógyszer, alkohol hatása vagy gyógykezelés alatt áll.** Elektromos szerszám használata közben egy pillanatnyi figyelmetlenség is súlyos személyi sérülést okozhat.
- Használjon személyi védőfelszerelést. Mindig hordjon védőszemüveget.** A védőfelszerelések, például porvédő maszk, biztonsági csúszásmentes cipő, védősisak vagy hallásvédő csökkentik a személyi sérülés veszélyét.
- Gondoskodjon arról, hogy a szerszám ne indulhasson be véletlenül. Ellenőrizze, hogy az üzemi kapcsoló kikapcsolt állásban van-e, mielőtt a hálózatra és/vagy akkumulátorra kapcsolja, a kezébe veszi vagy magával viszi.** Ne szállítsa a feszültség alatt lévő gépet ujjával az üzemi kapcsolón, mert bekapcsolt szerszámok szállítása balesetveszélyes.
- Mielőtt bekapcsolja az elektromos szerszámot, vegye le róla a szerelőkulcsot.** Forgó alkatrészen felejtett kulcs a szerszám beindulásakor személyi sérülést okozhat.
- Ne nyúljon ki túlságosan messzire. Kerülje a rendellenes testtartást, és egyensúlyát soha ne veszítse el munkavégzés közben.** Így jobban irányíthatja a szerszámot, még váratlan helyzetekben is.
- Megfelelő öltözéket viseljen. Ne hordjon ékszert vagy laza ruházatot munkavégzés közben. Haját, ruházatát és kesztyűjét tartsa távol a mozgó alkatrészekről.** A laza öltözék, ékszerek vagy hosszú haj beakadhatnak a mozgó részekben.

- g. Ha az adott eszközhöz porelszívó és porgyűjtő is kapcsolható, ügyeljen ezek helyes csatlakoztatására és használatára. Porelszívó berendezés használatával nagymértékben csökkenthetők a por okozta veszélyek.
4. **Elektromos szerszámok használata és gondozása**
- a. **Ne erőltesse az elektromos szerszámot. A munkafeladatnak megfelelő elektromos szerszámot használja.** A megfelelő szerszámmal jobban és biztonságosabban elvégezheti a munkát, ha a teljesítmény kategóriájának megfelelően használja.
- b. **Ne használja az elektromos szerszámot, ha a kapcsoló nem működőképes.** Bármely elektromos szerszám használata, amely nem irányítható megfelelően az üzemi kapcsolóval, nagyon veszélyes, ezért azonnal meg kell javíttatni a kapcsolót, ha sérült vagy nem működőképes.
- c. **Mielőtt beállítást végez, változtat, vagy tartozékokat cserél a szerszámon, illetve mielőtt eltávolítja, húzza ki a dugaszát a konnektorból és/vagy az akkumulátorról.** Ezekkel a megelőző biztonsági intézkedésekkel csökkenti a szerszám véletlen beindulásának esélyét.
- d. **Ha nem használja a készüléket, tartsa száraz, gyermekek elől gondosan elzárt helyen; ne engedje, hogy olyan személyek használják, akik nem ismerik a készüléket vagy ezen útmutatásokat.** Az elektromos szerszámok használata nem képzett felhasználók kezében veszélyes lehet.
- e. **Tartsa karban az elektromos szerszámokat. Ellenőrizze a részegységeket, olajozásukat, esetleg előforduló töréseit, a kézvédő vagy a kapcsoló sérüléseit és minden olyan rendellenességet, amely befolyásolhatja a szerszám használatát. Ha a szerszám sérült, használat előtt javíttassa meg.** A nem megfelelően karbantartott elektromos szerszámok számos balesetet okoznak.
- f. **Tartsa élesen és tisztán a vágószerszámokat.** A megfelelően karbantartott éles vágószerszám beszorulásának kisebb a valószínűsége, és könnyebben irányítható.
- g. **Az elektromos szerszámot, tartozékokat, szerszámszárakat stb. ezeknek az útmutatásoknak megfelelően használja, a munkakörülmények és az elvégzendő feladat figyelembe vételével.** Az elektromos szerszám rendeltetésétől eltérő használata veszélyhelyzetet teremthet.

5. **Akkumulátoros szerszámok használata és gondozása**
- a. **Csak a gyártó által előírt töltővel töltsen az akkumulátort.** Az a töltő, amely alkalmas egy bizonyos típusú akkumulátor töltésére, másik típusú akkumulátornál tűzveszélyt okozhat.
- b. **Az elektromos szerszámot csak a kifejezetten hozzá készült akkumulátorral használja.** Másfajta akkumulátor használata sérülést vagy tüzet okozhat.
- c. **Amikor az akkumulátort nem használja, tartsa távol minden fémestől, például tűzőkapcsoktól, érméktől, kulcsoktól, szegektől, csavaroktól és minden más apró fémtárgytól, amelyek az érintkezőket rövidre zárhatják.** Az akkumulátor pólusainak rövidzárlata égési sérülést vagy tüzet okozhat.
- d. **Kedvezőtlen körülmények között előfordulhat, hogy az akkumulátorból folyadék ömlik ki; kerülje a vele való érintkezést. Ha véletlenül érintkezésbe került a folyadékkal, öblítse le vízzel. Ha a szemébe került, ezen kívül forduljon orvoshoz is.** Az akkumulátorból kiömlő folyadék irritációt vagy égési sérülést okozhat.
6. **Szerviz**
- a. **Javítást csak szakszerviz végezhet, és csak eredeti gyári alkatrészeket szabad felhasználni.** Ezzel biztosítja az elektromos szerszám folyamatosan biztonságos működését.

### Elektromos szerszámokra vonatkozó kiegészítő biztonságtechnikai figyelmeztetések



**Figyelmeztetés!** Kiegészítő biztonsági figyelmeztetések csavarozókhoz és ütvefúrókhoz

- ◆ **Ütvefúró használata közben viseljen hallásvédőt.** A zaj halláskárosodást okozhat.
- ◆ **Használja a készülékhez mellékelt segédfogantyúkat.** A szerszám feletti uralom elvesztése személyi sérüléssel végződhet.
- ◆ **Az elektromos szerszámot csak a szigetelt fogási felületeinél fogja, ha azzal olyan műveletet végez, amelynél a rögzítőelem rejtett vezetőket érhet.** Ha a rögzítőelem áram alatt lévő vezetőket ér, az elektromos szerszám fém alkatrészei is áram alá kerülhetnek, és a kezelő áramütést szenvedhet.
- ◆ **Leszorítókkal vagy más praktikus módon stabil felületre rögzítse és támassza meg a munkadarabot.** Ha a munkadarabot a kezében tartja vagy a testéhez támasztja, az



instabillá válik, Ön pedig elveszítheti a szerszám feletti uralmát.

- ◆ A szerszám rendeltetés szerű használatát ebben a kézikönyvben ismertetjük. A kézikönyvben nem ajánlott tartozék vagy kiegészítő használata, illetve itt fel nem sorolt műveletek végzése személyi sérülés és/vagy dologi kár veszélyével jár.



**Figyelmeztetés!** Az útvecsavarozók nem nyomatékulcsok. Ne használja ezt a szerszámot olyan rögzítőelemek meghúzásához, amelyeket meghatározott nyomatékulcsokkal kell meghúzni. Olyan munkákhoz, amelyeknél a túl lazára vagy túl szorosra húzott rögzítőelemek tönkretelhetnek a kötést, nyomatékulcsot használjon.

### Mások biztonsága

- ◆ Ezt a szerszámot nem használhatják olyan személyek (a gyermekeket is beleértve), akik nincsenek fizikai, érzékelési vagy mentális képességeik teljes birtokában, vagy nincs meg a szükséges tapasztalatuk és tudásuk, kivéve, ha a biztonságukért felelős személy felügyeletet vagy a készülék használatához megfelelő kioktatást biztosít számukra.
- ◆ Ügyeljen arra, hogy gyermekek ne játsszanak a szerszámmal.

### Maradványkockázatok

A szerszám használata további, a biztonsági figyelmeztetések között esetleg fel nem sorolt maradványkockázatokkal is járhat. Ezek a készülék nem rendeltetés szerű, illetve huzamosabb idejű használatából stb. adódhatnak.

Bizonyos kockázatok a vonatkozó biztonsági előírások betartása és a védőberendezések használata ellenére sem kerülhetők el. Ezek a következők lehetnek:

- ◆ forgó-mozgó alkatrészek megérintése miatti sérülések;
- ◆ alkatrészek, vágópengék, tartozékok cseréje közben bekövetkező sérülések;
- ◆ a szerszám huzamosabb idejű használata által okozott sérülések; Ha bármely szerszámot huzamosabb ideig használ, rendszeresen iktasson be szüneteket.
- ◆ halláskárosodás;
- ◆ a fűrészpor belégzése miatti egészségkárosodás, különös tekintettel a tölgy, bükk és rétegelt lemez anyagokra.

### Súlyozott effektív rezgés gyorsulás

A műszaki adatlapon és a megfelelőségi nyilatkozatban feltüntetett súlyozott effektív rezgés gyorsulási

értékeket az EN 60745 szabványnak megfelelően határoztuk meg, így azok felhasználhatók az egyes szerszámoknál mért értékek összehasonlítására is. A megadott érték felhasználható a súlyozott effektív rezgés gyorsulásnak való kitettség mértékének előzetes becsléséhez is.

**Figyelmeztetés!** A tényleges súlyozott effektív rezgés gyorsulási érték az elektromos szerszám használata során eltérhet a feltüntetett értéktől, a használat módjától függően. A tényleges súlyozott effektív rezgés gyorsulási szintje az itt feltüntetett szint fölé is emelkedhet.

A 2002/44/EK irányelv által a géppel rendszeresen dolgozók számára megkövetelt szükséges biztonsági intézkedések meghatározásához végzett, a súlyozott effektív rezgés gyorsulásnak való kitettség kiértékelésénél a napi kitettséget jelentő időn túl figyelembe kell venni a tényleges használat körülményeit, illetve azt, hogy a szerszámot hogyan használják, ideértve a munkafolyamat minden egyes részét, pl. azokat az időszakokat is, amikor a szerszám ki van kapcsolva vagy üresen jár.

### Címkék a szerszámon

A szerszámon a következő szimbólumok láthatók:



**Figyelmeztetés!** A sérülésveszély csökkentése érdekében a felhasználónak át kell olvasnia a kezelési kézikönyvet.

### Kiegészítő biztonsági útmutatások akkumulátorokhoz és töltőkhöz

#### Akkumulátorok

- ◆ Soha, semmilyen okból ne próbálja szétbontani az akkumulátort.
- ◆ Vízről óvja.
- ◆ Ne tárolja olyan helyen, ahol a hőmérséklet 40 °C fölé emelkedhet.
- ◆ Csak 10 °C és 40 °C közötti környezeti hőmérsékleten töltsse.
- ◆ Csak a szerszámmal mellékelt töltővel töltsse.
- ◆ Elhasznált akkumulátorok kiselejtezésénél tartsa be a „Környezetvédelem” című fejezet utasításait.

#### Töltők

- ◆ A BLACK+DECKER töltővel csak a szerszámmal mellékelt akkumulátort töltsse. Más akkumulátorok szétrobbanhatnak, személyi sérülést és anyagi kárt okozva.
- ◆ Soha ne kísérletezzen nem tölthető telepek töltésével.
- ◆ A hibás kábeleket azonnal cseréltesse ki.
- ◆ Vízről óvja a töltőt.

- ◆ Ne bontsa szét a töltőt.
- ◆ Ne próbálgassa a töltőt mérőműszerrel.



A töltő csak beltéri használatra alkalmas.



Használat előtt olvassa el a kezelési útmutatót.



Hibamentesen szigetelő transzformátor. A hálózati tápellátás elektromosan le van választva a transzformátor kimenetéről.



A töltő automatikusan kikapcsol, ha a környezeti hőmérséklet túl magasra emelkedik. A töltő ettől üzemképtelenné válik. A töltőkészüléket le kell választani az elektromos hálózatról, és javítás céljából el kell juttatni egy márkaszervizbe.

## Elektromos biztonság



Az Ön töltője kettős szigetelésű; ezért nincs szükség földelésre. Mindig ellenőrizze, hogy a hálózati feszültség megfelel-e a töltő adattábláján megadott feszültségnek. Soha ne próbálja a töltőt hagyományos hálózati dugasszal helyettesíteni.

- ◆ Ha a hálózati kábel sérült, a veszély elkerülése érdekében cseréltesse ki a gyártóval vagy egyik megbízott BLACK+DECKER szakszervizzel.

**Figyelmeztetés!** Soha ne próbálja a töltőt hagyományos hálózati dugasszal helyettesíteni.

## Részegységek

A szerszám a következő részegységek némelyikéből vagy mindegyikéből áll:

1. Üzemi kapcsoló
2. Forgásirányváltó kapcsoló
3. Befogóhüvely
4. LED világítás
5. Mágneses bittartó

## A ábra

6. Töltő
7. Töltő dugasza
8. Töltőbemenet

## Összeszerelés

### Fúrószár vagy csavarozószár fel- és leszerelése (B ábra)

Ehhez a szerszámmal 6,35 mm-es (1/4") hatlapú fúró- és behajtó szárat használhat.

- ◆ A szár behelyezéséhez tolja be a szarat a befogóhüvelybe (3).

- ◆ A leszerelésnél húzza ki a szarat a befogóhüvelyből (3).

**Tartsa szem előtt!** Előfordulhat, hogy az E-J ábrákon bemutatott derékszögű tartozék nincs az Ön szerszámához mellékelve.

## Használat

**Figyelmeztetés!** Hagyja a szerszámot saját tempójában működni. Ne terhelje túl.

- ◆ Az első használat előtt az akkumulátort legalább 15 órán át kell tölteni.

### Az akkumulátor töltése (C ábra)

- ◆ Dugaszolja a töltő dugaszát (7) a töltőbemenetre (8).
- ◆ Dugaszolja a töltőt (6) a konnektorra.
- ◆ Hagyja a szerszámot a töltőhöz csatlakoztatva 15 órán keresztül.

Töltés közben a töltő bűgő hangot adhat és melegedhet; ami normális jelenség, nem jelent hibát.

**Figyelmeztetés!** Csak a mellékelt CS3652LC típusú töltőt használja.

**Figyelmeztetés!** 10 °C-nál alacsonyabb, illetve 40 °C-nál magasabb környezeti hőmérséklet mellett ne töltsze az akkumulátort.

### A forgásirány megválasztása (D ábra)

Fúráshoz és csavarok behajtásához az előre forgásirányt válassza.

Csavarok meglazításához vagy beszorult fúrószerű kiszabadításához a hátra forgásirányt válassza.

- ◆ Az előre forgásirány választásához tolja a forgásirányváltó kapcsolót (2) jobbra.
- ◆ A hátra forgásirány választásához tolja a forgásirányváltó kapcsolót (2) balra.
- ◆ A szerszámot a forgásirányváltó kapcsoló középső állásba helyezésével reteszeli.

### Fúrás/csavarozás

- ◆ Az előre vagy hátra forgásirányt a forgásirányváltó kapcsolóval (2) választhatja ki.
- ◆ A szerszám bekapcsolásához nyomja meg az üzemi kapcsolót (1).
- ◆ A szerszám kikapcsolásához engedje el az üzemi kapcsolót (1).

### LED világítás

A LED világítás (4) automatikusan bekapcsol, amikor az üzemi kapcsolót benyomja. A LED akkor is világít, ha az üzemi kapcsolót benyomja és a forgásirányváltó kapcsoló (2) reteszelt (középső) állásban van.

## Javaslatok a szerszám optimális használatához

### Csavarozás

- ◆ Mindig a megfelelő típusú és méretű csavarozóhegyet használja.
- ◆ Ha a csavar csak nehezen hajtható be, kenőanyagként tegyen egy kevés mosószeret vagy szappant a csavarra.
- ◆ A nagyon erősen meghúzott csavarok kilazításához és a csavarok erőteljes meghúzásához használja a hajtótengely reteszt.
- ◆ A szerszámot és a csavarozóhegyet mindig a csavarral egy vonalban tartsa.
- ◆ Fába történő csavarozáskor ajánlatos a csavar hosszával megegyező mélységű előfúrást végezni. Az előzetesen elkészített furat vezet a csavart, és megelőzhető vele a fa hasadása vagy vetemedése. A vezetőfurat optimális méretéről az alábbi táblázatból tájékozódhat.
- ◆ Keményfába történő csavarozáskor ajánlatos a csavar hosszának felét kitevő mélységben szavatolt hézagú furatot készíteni. A furat optimális méretéről az alábbi táblázatból tájékozódhat.

A csavar mérete	Vezetőfurat $\varnothing$ (puhafa)	Vezetőfurat $\varnothing$ (keményfa)	Szavatolt hézagú furat
6. sz. (3,5 mm)	2,0 mm	2,5 mm	3,6 mm
8. sz. (4 mm)	2,5 mm	3,0 mm	4,5 mm
10. sz. (5 mm)	3,0 mm	3,5 mm	5,0 mm

### Vezetőfuratok fúrása

- ◆ A fúrószárat mindig enyhén, tengelyének irányában nyomja.
- ◆ Amikor a fúrószár hegye már majdnem áthatolt az anyagon, csökkentse a szerszáma gyakorolt nyomást.
- ◆ A hasadásra hajlamos munkadarabot támassza alá egy fadarabbal.
- ◆ A nagyobb pontosság végett pontozóval jelölje ki a leendő furat közepét.

### Tartozékok

A szerszám teljesítménye függ a használt tartozékoktól. A BLACK+DECKER és Piranha tartozékok magas minőségi követelményeknek megfelelően készültek, és tervezésükkor a szerszám teljesítményének optimalizálása volt a fő cél. A fenti tartozékok felhasználásával a lehető legjobb teljesítményt érheti el. Ehhez a szerszámhoz 6,35 mm-es (1/4") hatlapú csavarozóhegyeket használhat. A Piranha Super-lok tartozékokat a szerszámmal való használatra tervezték.

### Karbantartás

Az Ön BLACK+DECKER szerszámát minimális karbantartás melletti hosszú távú használatra terveztük. A szerszám folyamatos és kielégítő működése függ a megfelelő gondozástól és a rendszeres tisztítástól is.

Az Ön töltőkészüléke a rendszeres tisztításon kívül más karbantartást nem igényel.

**Figyelmeztetés!** Mielőtt bármilyen karbantartási műveletbe kezdene, tisztítás előtt húzza ki a töltő dugaszát a konnektorból.

- ◆ Puha kefével vagy száraz ronggyal rendszeresen tisztítsa meg a szerszám és a töltő szellőzőnyílásait.
- ◆ Nedves ronggyal rendszeresen tisztítsa le a motorburkolatot. Ne használjon súroló hatású vagy oldószer alapú tisztítószeret.
- ◆ Rendszeresen nyissa ki a tokmányt és ütögesse meg, hogy a belsejéből kihulljon a por.

### Környezetvédelem



Elkülönítve gyűjtendő. Ezt a terméket el kell különíteni a normál háztartási hulladéktól.

Egy napon, mikor BLACK+DECKER terméke elérte a technikai élettartamának végét, vagy nincs további szüksége rá, gondoljon a környezetvédelemre. Ezt a terméket a normál háztartási hulladéktól elkülönítve kell megsemmisíteni.



Az elhasznált termékek és csomagolásuk elkülönített kezelése lehetővé teszi az anyagok újrafeldolgozását és újbóli felhasználását. Újrahasznosított vagy újra feldolgozott anyagok segítségével a környezetszennyezés, illetve a nyersanyagok iránti igény nagymértékben csökkenthető.

A helyi előírások rendelkezhetnek az elektromos készülékek háztartási hulladéktól elkülönített begyűjtéséről helyhatósági hulladéklerakó helyeken vagy a kereskedők által új termék megvásárlásakor.

A BLACK+DECKER lehetőséget biztosít a BLACK+DECKER termékek begyűjtésére és újrafeldolgozására, amint azok elérték élettartamuk végét. Ez a szolgáltatás ingyenes. Ha igénybe veszi, kérjük, juttassa el a terméket a legközelebbi márkaszervizbe, melyekről a Magyarországi Képviselőnl érdeklődhet.

Az Önhöz legközelebbi márkaszerviz címét a Magyarországi Képviselőtl vagy ebből a kézikönyvből tudhatja meg. A megbízott BLACK+DECKER szervi-

zek listáját, valamint eladás utáni szolgáltatásainkat és kapcsolattartóinkat részletesen megtalálja a következő honlapon: [www.2helpU.com](http://www.2helpU.com).

### Akkumulátorok



Az akkumulátorok belsejében felhasználó általi szervizelést igénylő alkatrészek.

- Élettartamának lejártá után a terméket egészen juttassa el a szervizbe vagy egyik helyi újrahasznosító telepre, hogy újrahasznosítsák az akkumulátort. A készüléket ne dobja ki a háztartási hulladékkal együtt.

### Műszaki adatok

		CS3652LC (H1)
Feszültség	$V_{DC}$	3,6
Üresjárat fordulatszám	$\text{min}^{-1}$	180
Rövidzárási nyomaték	Nm	5,84
Maximális nyomaték	Nm	5,5
Befogóhüvely	mm	6,35 (1/4")
Súly	kg	0,32

		906146** H1
Feszültség	V	3,6
Akkumulátor típusa		Li-ion
Kapacitás amperórában (AH)		1,5

		905450** H1
Feszültség	$V_{AC}$	230
Töltési idő kb.	óra	15
Súly	kg	0,14

#### Hangnyomásszint az EN 60745 szabvány szerint:

Hangnyomás ( $L_{pA}$ ) 54 dB(A), toleranciafaktor (K) 3 dB(A),  
 Hangteljesítményszint ( $L_{WA}$ ) 65 dB(A), toleranciafaktor (K) 3 dB(A)

#### Súlyozott effektív rezgésgyorsulás összértéke (triax vektorösszeg) az EN 60745 szabvány szerint:

Csavarozás ütés nélkül ( $a_{n,IS}$ ) 0,3 m/s<sup>2</sup>,  
 toleranciafaktor (K) 1,5 m/s<sup>2</sup>

## CE megfeleléségi nyilatkozat

GÉPEKRE VONATKOZÓ IRÁNYELV



CS3652LC

A Black & Decker kijelenti, hogy a „Műszaki adatok” című fejezetben ismertetett termékek megfelelnek a következő irányelveknek és szabványoknak: 2006/42/EK, EN 60745-1, EN 60745-2-2.

Ezek a termékek a 2014/30/EU és a 2011/65/EU irányelveknek is megfelelnek. További tájékoztatásért forduljon a Black & Decker vállalathoz a következőkben megadott vagy a kézikönyv végén megtalálható elérhetőségeken.

Az aláírás tulajdonosa a műszaki adatok összeállításáért felelős személy; nyilatkozatát a Black & Decker vállalat nevében adja.

R. Laverick  
 Műszaki igazgató  
 Black & Decker Europe  
 210 Bath Road, Slough  
 Berkshire, SL1 3YD  
 Egyesült Királyság  
 19.01.2015

Az Önhöz legközelebb eső hivatalos márkaszervizt a kézikönyvben megadott helyi Black & Decker képviselő segítségével érheti el. Alternatív megoldásként a szerződött Black & Decker szervizek listája, illetve az eladásutáni szolgáltatásaink és ezek elérhetőségének részletes ismertetése a következő internetes címen érhető el: [www.2helpU.com](http://www.2helpU.com).

Kérjük, látogassa meg a [www.blackanddecker.hu](http://www.blackanddecker.hu) weboldalunkat, hogy regisztrálja az új BLACK+DECKER termékét, ill. hogy megismerje az új termékeinkkel és egyedi ajánlatainkkal kapcsolatos legújabb híreinket. A BLACK+DECKER márkával és termékválasztékunkkal kapcsolatos további tájékoztatást a [www.blackanddecker.hu](http://www.blackanddecker.hu) internetes címen találhat.

## Zastosowanie zgodne z przeznaczeniem

Ten wkrętak akumulatorowy BLACK+DECKER jest przeznaczony do wkręcania i wykręcania wkrętów, Narzędzie to nie nadaje się do profesjonalnych, przemysłowych zastosowań

## Wskazówki dotyczące bezpieczeństwa

### Ogólne wskazówki bezpieczeństwa pracy elektronarzędzia



**Uwaga!** Przeczytaj wszystkie zamieszczone tutaj wskazówki bezpieczeństwa. Nieprzestrzeganie ich może doprowadzić do porażenia prądem elektrycznym, pożaru, a nawet ciężkiego urazu ciała.

Przechowuj niniejszą instrukcję, by w razie potrzeby móc z niej ponownie skorzystać. Używane tutaj określenie „elektonarzędzie” oznacza zarówno urządzenie sieciowe (z kablem sieciowym) jak i akumulatorowe (bez kabla sieciowego).

#### 1. Bezpieczeństwo w obszarze pracy

- a. **Utrzymuj porządek w miejscu pracy i dobrze je oświetlaj.** Bałagan i niewystarczające oświetlenie grożą wypadkiem.
- b. **Nie używaj elektronarzędzi w otoczeniu zagrożonym wybuchem, gdzie występują palne pary, gazy lub pyły.** Elektronarzędzia wytwarzają iskry, które mogą spowodować zapalenie się tych substancji.
- c. **Nie dopuszczaj dzieci ani innych osób do miejsca pracy.** Mogą one odwrócić uwagę od wykonywanych czynności, co grozi wypadkiem.

#### 2. Bezpieczeństwo elektryczne

- a. **Wtyczka kabla elektronarzędzia musi pasować do gniazda sieciowego i w żadnym wypadku nie wolno jej przerabiać.** Gdy elektronarzędzia zawierają uzziemienie ochronne, nie używaj żadnych wtyczek adaptacyjnych. Oryginalne wtyczki i pasujące do nich gniazda sieciowe zmniejszają ryzyko porażenia prądem elektrycznym.
- b. **Unikaj dotykania uzziemionych elementów, jak na przykład rury, grzejniki, piece i chłodziarki.** Gdy ciało jest uziemione, porażenie prądem elektrycznym jest o wiele niebezpieczniejsze.
- c. **Nie wystawiaj elektronarzędzi na działanie deszczu ani wilgoci.** Przedostanie się wody do wnętrza obudowy grozi porażeniem prądem elektrycznym.

- d. **Ostrożnie obchodź się z kablem. Nigdy nie używaj go do przenoszenia elektronarzędzia ani do wyjmowania wtyczki kabla z gniazda sieciowego. Chroń kabel przed wysoką temperaturą, olejem, ostrymi krawędziami i ruchomymi elementami.** Uszkodzony lub zaplątany kabel może doprowadzić do porażenia prądem elektrycznym.
- e. **Przy pracy na wolnym powietrzu stosuj tylko przeznaczone do tego celu przedłużacze.** Posługiwanie się odpowiednimi przedłużaczami zmniejsza ryzyko porażenia prądem elektrycznym.
- f. **W razie konieczności użycia elektronarzędzia w wilgotnym otoczeniu, zabezpiecz obwód zasilania wyłącznikiem ochronnym różnicowo-prądowym.** Zastosowanie takiego wyłącznika zmniejsza ryzyko porażenia prądem elektrycznym.

#### 3. Bezpieczeństwo osobiste

- a. **Zawsze zachowuj uwagę, koncentruj się na swojej pracy i rozsądnie postępuj z elektronarzędziem. Nie używaj go, gdy jesteś zmęczony lub znajdujesz się pod wpływem narkotyków, alkoholu czy też leków.** Chwila nieuwagi w czasie pracy grozi bardzo poważnymi konsekwencjami.
- b. **Stosuj wyposażenie ochronne. Zawsze zakładaj okulary ochronne.** Odpowiednie wyposażenie ochronne, jak maska przeciwpyłowa, obuwie na szorstkiej podszewie, kask ochronny lub nauszники ochronne, zależnie od rodzaju i zastosowania elektronarzędzia zmniejszają ryzyko doznania urazu.
- c. **Unikaj niezamierzonego załączenia. Przed przyłączeniem elektronarzędzia do sieci lub akumulatora, przed uniesieniem go lub transportem sprawdź, czy jest wyłączony wyłącznik.** Przenoszenie elektronarzędzia z palcem opartym na wyłączniku lub przyłączanie go do sieci przy włączonym wyłączniku zwiększa ryzyko wypadku.
- d. **Przed załączeniem elektronarzędzia sprawdź, czy zostały wyjęte klucze i przyrządy nastawcze.** Klucz pozostawiony w obracającej się części może doprowadzić do urazu ciała.
- e. **Nie pochylaj się za bardzo do przodu! Utrzymuj stabilną postawę, by nie stracić równowagi w jakiejś pozycji roboczej.** Takie postępowanie umożliwia zachowanie lepszej kontroli nad elektronarzędziem w nieoczekiwanych sytuacjach.

- f. Zakładaj odpowiednią odzież ochronną. Nie noś luźnej odzieży ani biżuterii. Włosy, odzież i rękawice trzymaj z dala od ruchomych elementów. Luźna odzież, biżuteria lub długie włosy mogą zostać pochwycone przez obracające się części narzędzia.
- g. **Gdy producent przewidział urządzenia do odsysania lub gromadzenia pyłu, sprawdź czy są one przyłączone i prawidłowo zamocowane.** Stosowanie tych urządzeń zmniejsza zagrożenie zdrowia pyłem.
4. **Obsługa i konserwacja elektronarzędzi**
- a. **Nie przeciążaj elektronarzędzia. Używaj narzędzi odpowiednich do danego przypadku zastosowania.** Najlepszą jakość i bezpieczeństwo osobiste osiągniesz, tylko stosując właściwe narzędzia.
- b. **Nie używaj elektronarzędzia z uszkodzonym wyłącznikiem.** Urządzenie, które nie daje się normalnie załączać lub wyłączać, jest niebezpieczne i trzeba je naprawić.
- c. **Przed rozpoczęciem jakichkolwiek prac nastawczych, przed wymianą akcesoriów lub odłożeniem elektronarzędzia zawsze wyjmij wtyczkę kabla z gniazda sieciowego.** Ten środek ostrożności zmniejsza ryzyko niezamierzonego uruchomienia elektronarzędzia.
- d. **Niepotrzebne elektronarzędzia przechowuj w miejscu niedostępnym dla dzieci. Nie pozwalaj używać elektronarzędzi osobom, które nie są z nimi obeznane lub nie przeczytały niniejszej instrukcji.** Narzędzia w rękach niedoświadczonych osób są niebezpieczne.
- e. **Utrzymuj elektronarzędzia w nienagannym stanie technicznym. Sprawdzaj, czy ruchome elementy obracają się w odpowiednim kierunku, nie są zakleszczone, pęknięte ani tak uszkodzone, że nie zapewniają prawidłowego funkcjonowania urządzenia. Uszkodzone elektronarzędzia przed użyciem należy naprawić.** Powodem wielu wypadków jest niewłaściwa konserwacja elektronarzędzi.
- f. **Ostrz i utrzymuj w czystości swoje narzędzia robocze.** Starannie konserwowane, ostre narzędzia robocze rzadziej się zakleszczają i łatwiej nimi pracować.
- g. **Elektronarzędzi, akcesoriów, końcówek itp. używaj zgodnie z przeznaczeniem. Przestrzegaj przy tym obowiązujących przepisów bhp.** Wykorzystywanie elektronarzędzi wbrew przeznaczeniu jest niebezpieczne.
5. **Obsługa i konserwacja elektronarzędzi akumulatorowych**
- a. **Akumulatory ładuj tylko w ładowarkach przewidzianych do tego celu przez producenta.** W przypadku ładowarki przeznaczonej tylko do określonego rodzaju akumulatora włożenie innego akumulatora grozi pożarem.
- b. **Stosuj tylko akumulatory przeznaczone do danego rodzaju elektronarzędzi.** Stosowanie innych akumulatorów stwarza ryzyko doznania urazu ciała i pożaru.
- c. **Nie używane akumulatory trzymaj z dala od spinaczy biurowych, monet, kluczy, gwoździ, śrub i innych małych przedmiotów metalowych, które mogą spowodować zwarcie biegunów.** Zwarcie zacisków akumulatora może spowodować oparzenia lub pożar.
- d. **Z powodu niewłaściwego zastosowania z akumulatora może wyciekać elektrolit. Nie dotykaj go. W razie niezamierzonego kontaktu natychmiast spłucz wodą narażone miejsce. Gdyby elektrolit przysnął w oczy, niezwłocznie zgłoś się do lekarza.** Wyciekły elektrolit może spowodować podrażnienie oczu lub oparzenia.
6. **Serwis**
- a. **Naprawy elektronarzędzi mogą być wykonywane tylko przez uprawnionych specjalistów przy użyciu oryginalnych części zamiennych.** Jest to istotnym warunkiem zapewnienia bezpieczeństwa pracy.

### Dodatkowe wskazówki bezpieczeństwa pracy elektronarzędzia



**Uwaga!** Dodatkowe wskazówki bezpieczeństwa pracy wkrętek akumulatorowych i udarowych.

- ♦ **Przy korzystaniu z wkrętek udarowych zakładaj nauszники ochronne.** Hałas może doprowadzić do uszkodzenia narządu słuchu.
- ♦ **Korzystaj z dodatkowych rękodzięści należących do zakresu dostawy elektronarzędzia.** Utrata panowania nad urządzeniem może skutkować urazem ciała.
- ♦ **W razie niebezpieczeństwa przewiercenia ukrytych przewodów elektrycznych trzymaj wkrętak za izolowane rękodzięści.** Narzędzie robocze ma elektryczne połączenie z gołymi metalowymi elementami wkrętaka, co grozi porażeniem prądem elektrycznym w przypadku natrafienia na będący pod napięciem przewod.
- ♦ **Używaj ścisków stolarskich lub podobnych środków do mocowania przedmiotu obrabia-**



**nego na stabilnej powierzchni.** Przytrzymanie przedmiotu obrabianego ręką lub ciałem grozi utratą panowania nad wiertarko-wkrętarką.

- ◆ W niniejszej instrukcji jest opisane zastosowanie zgodne z przeznaczeniem narzędzia. Zastosowanie akcesoriów lub części, które w tej instrukcji nie są zalecane lub obsługa odbiegająca od opisanego postępowania z narzędziem, mogą doprowadzić do obrażeń i/lub szkód rzeczowych.



**Uwaga!** Wkrętak udarowy nie jest kluczem dynamometrycznym. Narzędzie to nie jest przystosowane do mocowania elementów z określonym momentem obrotowym. Jeśli łączone elementy mogą zostać uszkodzone poprzez zbyt dużą lub małą siłę docisku należy zastosować oddzielne, skalibrowane urządzenie do mierzenia momentu obrotowego, jak np. klucz dynamometryczny.

### Bezpieczeństwo innych osób

- ◆ Zabrania się używania tego urządzenia przez dzieci i osoby o ograniczonej sprawności fizycznej, czuciowej lub umysłowej. To samo dotyczy początkujących, chyba że znajdują się pod nadzorem doświadczonego użytkownika.
- ◆ Pilnuj dzieci, by nie bawiły się tym urządzeniem.

### Pozostałe zagrożenia

Przy korzystaniu z tego urządzenia mogą zaistnieć dodatkowe zagrożenia nieuwzględnione w przepisach bezpieczeństwa. Z reguły zachodzą one w przypadku niewłaściwego lub zbyt długiego używania narzędzia.

Nawet przy przestrzeganiu odnośnych przepisów bezpieczeństwa i stosowaniu wszystkich urządzeń zabezpieczających nadal występują pewne zagrożenia. Zaliczają się do nich:

- ◆ Skaleczenia wskutek dotknięcia obracających się/ruchomych elementów.
- ◆ Skaleczenia doznane przy wymianie elementów, noży i akcesoriów.
- ◆ Narażenie zdrowia przy dłuższym używaniu elektronarzędzia. W takich sytuacjach rób regularne przerwy w pracy.
- ◆ Upośledzenie narządu słuchu.
- ◆ Zagrożenie zdrowia wskutek wdychania pyłu (np. powstającego podczas obróbki drewna, a zwłaszcza dębu, buku i MDF).

### Wibracje

Ważone częstotliwościowo wartości skuteczne przyspieszenia drgań na rękojeści podane w da-

nych technicznych i deklaracji zgodności zostały zmierzone standardową metodą opisaną w normie EN 60745, dzięki czemu można je wykorzystywać do porównań z innymi narzędziami i do tymczasowej oceny ekspozycji drganiowej.

**Uwaga!** Ważona wartość skuteczna przyspieszenia drgań w praktyce może się różnić od podanej wartości zależnie od sposobu wykorzystania narzędzia i nie da się wykluczyć jej przekroczenia.

Przy szacowaniu ekspozycji drganiowej w celu ustalenia wymaganych przez normę 2002/44/WE środków bezpieczeństwa dla ochrony osób zawodowo, regularnie używających narzędzi trzeba też uwzględnić rzeczywiste warunki pracy, a także jak długo w danym czasie narzędzie pozostawało wyłączone i jak długo pracowało na biegu jałowym.

### Symbole ostrzegawcze na elektronarzędziu

Na elektronarzędziu umieszczono następujące piktogramy:



**Uwaga:** By zmniejszyć ryzyko doznania urazu, przeczytaj instrukcję obsługi i przestrzegaj zawartych w niej wskazówek.

### Dodatkowe wskazówki bezpieczeństwa przy akumulatorów i ładowarek

#### Akumulatory

- ◆ W żadnym wypadku nie próbuj otwierać akumulatora.
- ◆ Nie wystawiaj akumulatora na działanie wody.
- ◆ Nie składuj akumulatora w miejscu, w którym temperatura może przekroczyć 40 °C.
- ◆ Akumulator ładuj tylko w temperaturze otoczenia między 10 °C i 40 °C.
- ◆ Akumulator ładuj tylko za pomocą dostarczonej ładowarki.
- ◆ Przy utylizacji akumulatorów przestrzegaj wskazówek zamieszczonych w punkcie „Ochrona środowiska”.

#### Ładowarki

- ◆ Ładowarek BLACK+DECKER używaj tylko do ładowania akumulatorów dostarczonych wraz z wiertarko-wkrętarką. Inne akumulatory mogą pęknąć, co grozi wyrządzeniem szkód rzeczowych i osobowych.
- ◆ Nigdy nie próbuj ładować baterii.
- ◆ Uszkodzony kabel natychmiast wymień na nowy.
- ◆ Nie wystawiaj ładowarki na działanie wody.
- ◆ Nie otwieraj ładowarki.
- ◆ Nie przeprowadzaj żadnych zmian w ładowarce.



Ładowarka nie jest dopuszczona do pracy na wolnym powietrzu.



Przed użyciem ładowarki dokładnie przeczytaj instrukcję obsługi.



Transformator zabezpieczający przed wypadkiem. Zasilanie główne jest elektrycznie odłączone od zasilania sieciowego.



Automatyczne wyłączenie ładowarki przy ekstremalnie wysokiej temperaturze otoczenia. Ładowarka nie nadaje się do ponownego podłączenia. Należy odłączyć ją od zasilania sieciowego i oddać do naprawy w punkcie serwisowym.

## Bezpieczeństwo elektryczne



Ładowarka jest podwójnie zaizolowana i dlatego żyła uziemiająca nie jest konieczna. Sprawdź, czy lokalne napięcie sieciowe zgadza się z wartością podaną na tabliczce znamionowej ładowarki. Nigdy nie próbuj bezpośrednio przyłączać wiertarko-wkrętarci do sieci.

- ◆ W razie uszkodzenia kabla sieciowego zleć wymianę producentowi lub autoryzowanemu warsztatowi serwisowemu BLACK+DECKER. Postępowanie wbrew temu nakazowi naraża użytkownika na niebezpieczeństwo.

**Uwaga!** W żadnym wypadku nie zastępuj ładowarki normalnym kablem sieciowym.

## Elementy

To elektronarzędzie posiada jeden lub wszystkie wymienione poniżej elementy:

1. Wyłącznik
2. Przełącznik do przodu/do tyłu
3. Uchwyt do końcówki
4. Lampka LED
5. Magnetyczny chwyt na końcówki

## Rys. A

6. Ładowarka
7. Wtyczka ładowarki
8. Przyłącze do ładowania

## Montaż

### Wkładanie i wyjmowanie końcówki wkrętarskiej lub nakrętki (rys. B)

Do tego narzędzia powinny być stosowane sześciokątne (6,5 mm) końcówki wiertarskie i do wkręcania.

- ◆ W celu włożenia końcówki wciśnij trzonek w chwyt (3) aż w nim mocno zatrzaśnie.

- ◆ W celu wyjęcie końcówki wyciągnij ją bezpośrednio z uchwytu (3).

**Wskazówka!** Przedstawiony na rysunkach E do J prawoskrętny osprzęt może nie należeć do zakresu dostawy tego narzędzia.

## Zastosowanie

**Uwaga!** Nie przyśpieszaj pracy na siłę. Unikaj przeciążania narzędzia.

- ◆ Przed pierwszym użyciem elektronarzędzia akumulator musi być ładowany przez minimum 9 godzin.

### Ładowanie akumulatora (rys. C)

- ◆ Włóż wtyczkę ładowarki (7) do przyłącza (8).
- ◆ Podłącz ładowarkę (6) do sieci.
- ◆ Akumulator jest w pełni naładowany po 15 godzinach.

Podczas ładowania akumulator może szumieć i nagrzewać się. Jest to normalne zjawisko, które nie świadczy o usterce.

**Uwaga!** Używaj dostarczonej ładowarki wyłącznie do ładowania elektronarzędzia o numerze katalogowym CS3652LC.

**Uwaga!** Nie ładuj akumulatora, jeśli temperatura otoczenia przekracza przedział pomiędzy 10° a 40°.

### Wybór kierunku obrotów (rys. D)

W celu wiercenia i wkręcania wkrętów zastosuj obroty do przodu. W celu wykręcania wkrętów oraz zablokowanych wiertel wybierz obroty do tyłu.

- ◆ By uzyskać obroty do przodu, przełącznik kierunku obrotów (2) przesun w prawo.
- ◆ By uzyskać obroty do tyłu, przełącznik kierunku obrotów (2) przesun do tyłu.
- ◆ By zablokować narzędzie, przełącznik kierunku obrotów ustaw w środkowej pozycji.

### Wiercenie/ wkręcanie

- ◆ Przełącznikiem kierunku obrotów (2) wybierz obroty do przodu/ do tyłu.
- ◆ By załączyć wkrętak, naciśnij wyłącznik (1).
- ◆ By włączyć wkrętak, zwolnij wyłącznik (1).

### Lampka LED

Lampka LED (4) zaktywuje się automatycznie przy naciśnięciu spustu. Lampka LED świeci również, gdy spust jest naciśnięty i przełącznik obrotów (2) jest w pozycji zablokowanej (środkowej).



## Porady, jak osiągnąć najlepsze wyniki pracy

### Wkręcanie

- ◆ Zawsze używaj końcówek wkrętarskich odpowiedniego typu i stosownej wielkości.
- ◆ Gdy wkręt daje się wkręcać tylko z trudem, posmaruj go niewielką ilością płynu do mycia naczyń lub mydłem.
- ◆ Używaj blokady wrzeciona, by poluzować zakleszczone wkręty lub mocno je dokręcić.
- ◆ Wkrętak przegubowy i końcówkę wkrętarską zawsze utrzymuj w osi wkręta.
- ◆ Przy wkręcaniu wkrętów w drewno zaleca się najpierw wywiercić otwór prowadzący o głębokości odpowiadającej długości wkręta. Otwór ten zapewnia dobre prowadzenie wkręta i zapobiega rozszczepieniu lub zdeformowaniu drewna. Optymalne średnice otworów prowadzących podano w poniższej tabeli.
- ◆ Przy wkręcaniu wkrętów w twarde drewno dodatkowo wykonaj otwór przejściowy o głębokości odpowiadającej połowie długości wkręta. Optymalne średnice otworów prowadzących i przejściowych podano w poniższej tabeli.

Wielkość wkręta	Średnica otworu prowadzącego (drewno miękkie)	Średnica otworu prowadzącego (drewno twarde)	Średnica otworu przejściowego
M 6 (3,5 mm)	2,0 mm	2,5 mm	3,6 mm
M 8 (4 mm)	2,5 mm	3,0 mm	4,5 mm
M 10 (5 mm)	3,0 mm	3,5 mm	5,0 mm

### Wiercenie wstępne

- ◆ Pracuj stale z lekkim naciskiem w prostej linii z końcówką wiertarską.
- ◆ Zredukuj nacisk krótko zanim końcówka przebijie obrabiany przedmiot.
- ◆ Użyj podkładki drewnianej pomiędzy podstawą a przedmiotem obrabianym, aby drewno nie rozszczepiło się.
- ◆ Za pomocą punktaka uzyskaj pogłębienie środka wierconego otworu, aby podwyższyć dokładność wiercenia.

### Akcesoria

Sprawność elektronarzędzia zależy od zastosowanego wyposażenia dodatkowego. Akcesoria BLACK+DECKER i Piranha odznaczają się najwyższą jakością i mają na celu polepszenie sprawności elektronarzędzia.

To elektronarzędzie jest przystosowane do końcówek wkrętarskich o chwycie sześciokątnym 6,35 mm

(1/4"). Specjalnie dla niego jest też przeznaczone wyposażenie dodatkowe Piranha Super-lok.

### Konserwacja

Elektronarzędzie BLACK+DECKER odznacza się dużą trwałością użytkową i prawie nie wymaga konserwacji. Jednak w celu zapewnienia ciągłej, bezawaryjnej pracy niezbędne jest jego regularne czyszczenie.

Ładowarka nie wymaga żadnej konserwacji z wyjątkiem regularnego czyszczenia.

**Uwaga!** Przed rozpoczęciem wykonywania jakichkolwiek prac konserwacyjnych odłącz ładowarkę od sieci.

- ◆ Za pomocą miękkiej szczoteczki lub suchej szmatki regularnie czyść szczeliny wentylacyjne we wkrętance i ładowarce.
- ◆ Wilgotną szmatą systematycznie przecieraj obudowę silnika. Nie używaj żadnych ściernych środków czyszczących ani takich, które zawierają rozpuszczalniki.
- ◆ Regularnie czyść uchwyt wiertarski. W tym celu otwórz go i, lekko ostukując, usuń pył z wnętrza.

### Ochrona środowiska



Selektywna zbiórka odpadów. Wyrobu tego nie wolno wyrzucać do normalnych śmieci z gospodarstw domowych.

Gdy pewnego dnia poczujesz się zmuszony zastąpić wyrób BLACK+DECKER nowym sprzętem lub nie będziesz go już potrzebować, w trosce o ochronę środowiska nie wyrzucaj go do śmieci z gospodarstw domowych, a jedynie oddaj do specjalistycznego zakładu utylizacji odpadów.



Dzięki selektywnej zbiórce zużytych wyrobów i opakowań niektóre materiały mogą być odzyskane i ponownie wykorzystane. W ten sposób chroni się środowisko naturalne i zmniejsza popyt na surowce

Stosuj się do lokalnych przepisów, jeżeli wymagają one oddawania zużytych elektrycznych urządzeń powszechnego użytku do specjalnych punktów zbiorczych lub zobowiązują sprzedawców do przyjmowania ich przy zakupie nowego wyrobu.

BLACK+DECKER chętnie przyjmuje stare, wyprodukowane przez siebie urządzenia i utylizuje je zgodnie z obowiązującymi przepisami. By skorzystać z tej usługi, oddaj zużyty sprzęt do autoryzowanego warsztatu naprawczego, który prowadzi zbiórkę w naszym imieniu.

POLSKI

W instrukcji tej zamieszczono adresy przedstawicieli handlowych firmy Black & Decker, które udzielają informacji o warsztatach serwisowych. Ich listę znajdziesz także w Internecie pod adresem: [www.2helpU.com](http://www.2helpU.com).

## Akumulatory



Części wewnątrz nie wymagają żadnej konserwacji.

- ◆ Uszkodzony produkt oddaj dystrybutorowi lub do najbliższego komunalnego zakładu utylizacji odpadów.

## Dane techniczne

		CS3652 LC (H1)	
Napięcie	V <sub>DC</sub>	3,6	
Prędkość obrotowa biegu jałowego	obr/min	180	
Moment krytyczny	Nm	5,84	
Maksymalny moment obrotowy	Nm	5,5	
Uchwyt końcówki	mm	6,35	
Masa	kg	0,32	

Akumulator		906146** H1	
Napięcie	V	3,6	
Rodzaj akumulatora		litowo-jonowy	
Pojemność akumulatora (wartość znamionowa)	Ah	1,5	

Ładowarka		905450** H1	
Napięcie sieciowe	V <sub>AC</sub>	230	
Przybliżony czas ładowania	h	15	
Masa	kg	0,14	

### Poziom hałas zmierzony według normy EN 60745:

Cisnienie akustyczne (L<sub>PA</sub>) 54 dB(A), niepewność pomiaru 3 dB(A), Moc akustyczna (L<sub>WA</sub>) 65 dB(A), niepewność pomiaru 3 dB(A)

### Całkowita wartość skuteczna przyspieszenia drgań (suma wektorowa 3 składowych kierunkowych) według normy EN 60745:

Bezударowe wkręcanie (a<sub>h,IS</sub>) 0,3 m/s<sup>2</sup>,  
niepewność pomiaru (K) 1,5 m/s<sup>2</sup>

## Deklaracja zgodności z normami UE

DYREKTYWA MASZYNOWA



CS3652LC

Black & Decker deklaruje niniejszym, że wyrób nr kat.BDCS3652LC opisany w „Danych technicznych” został wykonany zgodnie z następującymi wytycznymi i normami: 2006/42/WE, EN 60745-1, EN 60745-2-2.

Wyrób ten jest zgodny także z dyrektywami 2014/30/UE i 2011/65/UE. Aby uzyskać więcej informacji, należy zwrócić się do Black & Decker Europe pod adres jak poniżej. Takie informacje można również uzyskać pod adresem zamieszczonym na stronie końcowej tej instrukcji.

Niżej podpisany jest odpowiedzialny za przygotowanie dokumentacji technicznej i składa tę deklarację w imieniu Black & Decker.

R.Laverick  
Engineering Manager  
Black & Decker Europe  
210 Bath Road, Slough  
Berkshire, SL1 3YD  
Wielka Brytania  
19.01.2015

**BLACK+DECKER****WARUNKI GWARANCJI:**

Produkty marki BLACK+DECKER reprezentują bardzo wysoką jakość, dlatego oferujemy dla nich korzystne warunki gwarancyjne. Niniejsze warunki gwarancji nie pomniejszają praw klienta wynikających z polskich regulacji ustawowych lecz są ich uzupełnieniem. Gwarancja jest ważna na terenie Rzeczypospolitej Polskiej.

BLACK+DECKER gwarantuje sprawne działanie produktu w przypadku postępowania zgodnego z warunkami techniczno-eksploatacyjnymi opisanymi w instrukcji obsługi.

Niniejszą gwarancją nie jest objęte dodatkowe wyposażenie, jeżeli nie została do niego dołączona oddzielna karta gwarancyjna oraz elementy wyrobu podlegające naturalnemu zużyciu.

1. Niniejszą gwarancją objęte są usterki produktu spowodowane wadami produkcyjnymi i wadami materiałowymi.
2. Niniejsza gwarancja jest ważna po przedstawieniu przez Klienta w Centralnym Serwisie Gwarancyjnym reklamowanego produktu oraz łącznie:
  - a) poprawnie wypełnionej karty gwarancyjnej;
  - b) ważnego paragonu zakupu z datą sprzedaży taką, jak w karcie gwarancyjnej lub kopii faktury.
3. Gwarancja obejmuje bezpłatną naprawę urządzenia (wraz z bezpłatną wymianą uszkodzonych części) w okresie 24 miesięcy od daty zakupu.
4. Produkt reklamowany musi być:
  - a) dostarczony bezpośrednio do Centralnego Serwisu Gwarancyjnego wraz z poprawnie wypełnioną Kartą Gwarancyjną i ważnym paragonem zakupu (lub kopią faktury) oraz szczegółowym opisem uszkodzenia, lub
  - b) przesłany do Centralnego Serwisu Gwarancyjnego za pośrednictwem punktu sprzedaży wraz z dokumentami wymienionymi powyżej.
5. Koszty wysyłki do Centralnego Serwisu Gwarancyjnego ponosi Serwis. Wszelkie koszty związane z zapewnieniem bezpiecznego opakowania, ubezpieczeniem i innym ryzykiem ponosi Klient. W przypadku odrzucenia roszczenia gwarancyjnego, produkt jest odsyłany do miejsca nadania na koszt adresata.
6. Usterki ujawnione w okresie gwarancji będą usunięte przez Centralny Serwis Gwarancyjny w terminie:
  - a) 14 dni roboczych od daty przyjęcia produktu przez Centralny Serwis Gwarancyjny;
  - b) termin usunięcia wady (punkt 6a) może być wydłużony o czas niezbędny do importu niezbędnych części zamiennych.
7. Klient otrzyma nowy sprzęt, jeżeli:
  - a) Centralny Serwis Gwarancyjny stwierdzi na piśmie, że usunięcie wady jest niemożliwe;
  - b) produkt nie podlega naprawie, tylko wymianie bez dokonywania naprawy.
8. O ile taki sam produkt jest nieosiągalny, może być wydany nowy produkt o nie gorszych parametrach.
9. Decyzja Centralnego Serwisu Gwarancyjnego odnośnie zasadności zgłaszanych usterek jest decyzją ostateczną.
10. Gwarancją nie są objęte:
  - a) wadliwe działanie lub uszkodzenia spowodowane niewłaściwym użytkowaniem lub użytkowaniem produktu niezgodnie z przeznaczeniem, instrukcją obsługi lub przepisami bezpieczeństwa. W szczególności profesjonalne użytkowanie amatorskich narzędzi BLACK+DECKER powoduje utratę gwarancji;
  - b) wadliwe działanie lub uszkodzenia spowodowane przeciążaniem narzędzia, które prowadzi do uszkodzeń silnika, przekładni lub innych elementów a także stosowaniem osprzętu innego niż zalecany przez BLACK+DECKER;
  - c) mechaniczne uszkodzenia produktu i wywołane nimi wady;
  - d) wadliwe działanie lub uszkodzenia na skutek działania pożaru, powodzi, czy też innych klęsk żywiołowych, nieprzewidzianych wypadków, korozji, normalnego zużycia w eksploatacji czy też innych czynników zewnętrznych;
  - e) produkty, w których naruszone zostały plomby gwarancyjne lub, które były naprawiane poza Centralnym Serwisem Gwarancyjnym lub były przerabiane w jakikolwiek sposób;
  - f) osprzęt eksploatacyjny dołączony do urządzenia oraz elementy ulegające naturalnemu zużyciu.
11. Centralny Serwis Gwarancyjny, firmy handlowe, które sprzedały produkt, nie udzielają upoważnień ani gwarancji innych niż określone w karcie gwarancyjnej. W szczególności nie obejmują prawa klienta do domagania się zwrotu utraconych zysków w związku z uszkodzeniem produktu.
12. Gwarancja nie wyłącza, nie ogranicza ani nie zawiesza uprawnień kupującego wynikających z niezgodności towaru z umową.

**Centralny Serwis Gwarancyjny ERPATECH**  
 ul. Bakaliowa 26, 05-080 Mościska  
 tel.: (22) 862-08-08, (22) 431-05-05  
 faks: (22) 862-08-09

## Použitie výrobku

Váš skrutkovač BLACK+DECKER je určený na skrutkovacie práce. Toto náradie je určené iba na spotrebiteľské použitie.

## Bezpečnostné pokyny

### Všeobecné bezpečnostné pokyny na prácu s elektrickým náradím



**Varovanie!** Prečítajte si všetky bezpečnostné pokyny a bezpečnostné výstrahy. Nedodržanie nižšie uvedených varovaní a pokynov môže viesť k spôsobeniu úrazu elektrickým prúdom, k vzniku požiaru alebo k vážnemu zraneniu.

**Všetky bezpečnostné varovania a pokyny uschovajte na prípadné ďalšie použitie.** Termín „elektrické náradie“ vo všetkých upozorneniach odkazuje na Vaše náradie napájané zo siete (je zabezpečené prírodným káblom) alebo náradie napájané akumulátorom (bez prírodného kábla).

#### 1. Bezpečnosť v pracovnom priestore

- a. **Udržujte pracovný priestor čistý a dobre osvetlený.** Preplnený a neosvetlený pracovný priestor môže viesť k spôsobeniu úrazov.
- b. **Nepracujte s elektrickým náradím vo výbušnom prostredí, ako sú priestory s výskytom horľavých kvapalín, plynov alebo prašných látok.** V elektrickom náradí dochádza k iskreniu, ktoré môže spôsobiť vznietenie horľavého prachu alebo výparov.
- c. **Pri práci s elektrickým náradím zaistite bezpečnú vzdialenosť detí a ostatných osôb.** Rozptyľovanie môže spôsobiť stratu kontroly nad náradím.

#### 2. Elektrická bezpečnosť

- a. **Zástrčka prírodného kábla náradia musí zodpovedať zásuvke. Zástrčku nikdy žiadnym spôsobom neupravujte. Nepoužívajte pri uzemnenom elektrickom náradí žiadne upravené zástrčky.** Neupravené zástrčky a zodpovedajúce zásuvky znižujú riziko vzniku úrazu elektrickým prúdom.
- b. **Nedotýkajte sa uzemnených povrchov, ako sú napríklad potrubia, radiátory, elektrické sporáky a chladničky.** Pri uzemnení Vášho tela vzrastá riziko úrazu elektrickým prúdom.
- c. **Nevystavujte elektrické náradie dažďu alebo vlhkému prostrediu.** Ak vnikne do elektrického náradia voda, zvýši sa riziko úrazu elektrickým prúdom.
- d. **S prírodným káblom zaobchádzajte opatrne. Nikdy nepoužívajte prírodný kábel na**

prenášanie alebo posúvanie náradia a neťahajte zaň, ak chcete náradie odpojiť od elektrickej siete. Zabráňte kontaktu kábla s masťnými, horúcimi a ostrými predmetmi alebo pohyblivými časťami. Poškodený alebo zapletený prírodný kábel zvyšuje riziko vzniku úrazu elektrickým prúdom.

- e. **Pri práci s náradím vonku používajte predlžovacie káble určené na vonkajšie použitie.** Použitie kábla na vonkajšie použitie znižuje riziko úrazu elektrickým prúdom.
- f. **Ak musíte s elektrickým náradím pracovať vo vlhkom prostredí, použite napájací zdroj s prírodným chráničom (RCD).** Použitie prírodného chrániča (RCD) znižuje riziko úrazu elektrickým prúdom.

#### 3. Bezpečnosť obsluhy

- a. **Pri použití elektrického náradia zostaňte stále pozorní, sledujte, čo robíte a pracujte s rozvahou. Nepracujte s elektrickým náradím, ak ste unavení alebo ak ste pod vplyvom drog, alkoholu alebo liekov.** Chvilka nepozornosti pri práci s elektrickým náradím môže viesť k vážnemu úrazu.
- b. **Používajte prvky osobnej ochrany. Vždy používajte ochranu zraku.** Ochranné prostriedky ako respirátor, protišmyková pracovná obuv, prilba a chrániče sluchu, používané v príslušných podmienkach, znižujú riziko poranenia osôb.
- c. **Zabráňte náhodnému zapnutiu náradia. Pred pripojením zdroja napätia alebo pred vložením akumulátora a pred zdvihnutím alebo prenášaním náradia skontrolujte, či je vypínač v polohe „vypnuté“.** Prenášanie elektrického náradia s prstom na vypínači alebo pripojenie náradia k napájaciemu zdroju, ak je vypínač náradia v polohe zapnuté, môže spôsobiť úraz.
- d. **Pred zapnutím náradia sa vždy uistite, či nie sú v jeho blízkosti kľúče alebo nastavovacie prípravky.** Nastavovacie kľúče ponechané na náradí môžu byť zachytené rotujúcimi časťami náradia a môžu spôsobiť úraz.
- e. **Neprekážajte sami sebe. Pri práci vždy udržiavajte vhodný postoj a rovnováhu.** Tak je umožnená lepšia ovládateľnosť náradia v neočakávaných situáciách.
- f. **Vhodne sa obliekajte. Nenoste voľný odev alebo šperky. Dbajte na to, aby sa Vaše vlasy, odev a rukavice nedostali do kontaktu s pohyblivými časťami.** Voľný odev, šperky alebo dlhé vlasy môžu byť pohyblivými dielmi zachytené.

- g. Ak sú zariadenia vybavené adaptérom na pripojenie príslušenstva na zachytávanie prachu, zaistite jeho správne pripojenie a riadnu funkciu.** Použitie týchto zariadení môže znížiť nebezpečenstvo týkajúce sa prachu.
- 4. Použitie elektrického náradia a jeho údržba**
- a. Nepreťažujte elektrické náradie. Používajte na vykonávanú prácu správny typ náradia.** Pri použití správneho typu náradia bude práca vykonávaná lepšie a bezpečnejšie.
- b. Ak nie je možné vypínač náradia zapnúť a vypnúť, s náradím nepracujte.** Každé elektrické náradie s nefunkčným vypínačom je nebezpečné a musí sa opraviť.
- c. Pred nastavením náradia, pred výmenou príslušenstva alebo ak náradie nepoužívate, odpojte zástrčku prírodného kábla od zásuvky alebo z náradia vyberte akumulátor.** Tieto preventívne bezpečnostné opatrenia znižujú riziko náhodného zapnutia náradia.
- d. Uložte elektrické náradie mimo dosahu detí a nedovoľte ostatným osobám, ktoré toto náradie nevedia ovládať, alebo ktoré nepoznajú tieto bezpečnostné pokyny, aby s týmto elektrickým náradím pracovali.** Elektrické náradie je v rukách nekvalifikovanej obsluhy nebezpečné.
- e. Vykonávajte údržbu elektrického náradia. Skontrolujte vychýlenie alebo zablokovanie pohyblivých častí, poškodenie jednotlivých dielcov a iné okolnosti, ktoré môžu ovplyvniť chod náradia. Ak je náradie poškodené, nechajte ho opraviť.** Mnoho nehôd býva spôsobených zanedbanou údržbou náradia.
- f. Rezné nástroje udržiavajte ostré a čisté.** Riadne udržiavané rezné nástroje s ostrými reznými ostriami sú menej náchylné na zanášanie nečistotami a lepšie sa s nimi pracuje.
- g. Používajte elektrické náradie, príslušenstvo a pracovné nástroje podľa týchto pokynov a berte do úvahy prevádzkové podmienky a prácu, ktorá sa bude vykonávať.** Použitie elektrického náradia na iné účely, než na aké je určené, môže byť nebezpečné.
- 5. Použitie akumulátorového náradia a jeho údržba**
- a. Nabíjajte iba v nabíjačke určenej výrobcom.** Nabíjačka vhodná pre jeden typ akumulátora môže pri vložení iného nevhodného typu akumulátora spôsobiť požiar.
- b. Používajte elektrické náradie výhradne s akumulátormi, ktoré sú určené pre daný**

**typ náradia.** Použitie iných typov akumulátorov môže spôsobiť vznik požiaru alebo zranenie.

- c. Ak sa akumulátor nepoužíva, uložte ho mimo dosahu kovových predmetov, ako sú kancelárske sponky na papier, mince, kľúče, klince, skrutky alebo ďalšie drobné kovové predmety, ktoré môžu spôsobiť skratovanie kontaktov akumulátora.** Skratovanie kontaktov akumulátora môže viesť k vzniku popálenín alebo požiaru.
- d. V nevhodných podmienkach môže z akumulátora unikáť kvapalina. Vyvarujte sa kontaktu s touto kvapalinou. Ak dôjde k náhodnému kontaktu s touto kvapalinou, zasiahnuté miesto omyte vodou. Pri zasiahnutí očí zasiahnuté miesto umyte a vyhľadajte lekársku pomoc.** Unikajúca kvapalina z akumulátora môže spôsobiť podráždenie pokožky alebo popáleniny.
- 6. Servis**
- a. Opravy elektrického náradia zverte iba kvalifikovanému technikovi, ktorý bude používať originálne náhradné dielce.** Tým zaistíte bezpečnú prevádzku náradia.

### Doplňkové bezpečnostné pokyny na prácu s elektrickým náradím



**Varovanie!** Doplňkové bezpečnostné pokyny pre skrutkovače a rázové ťahovače

- ♦ **Pri práci s týmto náradím používajte ochranu sluchu.** Nadmerná hlučnosť môže spôsobiť stratu sluchu.
- ♦ **Používajte prídavné rukoväti dodávané s náradím.** Strata kontroly nad náradím môže viesť k úrazu.
- ♦ **Pri pracovných operáciách, pri ktorých by mohlo dôjsť ku kontaktu montážneho prvku so skrytými elektrickými vodičmi, držte elektrické náradie vždy za izolované rukoväti.** Montážne prvky, ktoré sa dostanú do kontaktu so „živým“ vodičom, spôsobia, že neizolované kovové časti elektrického náradia budú tiež „živé“, čo môže obsluhu spôsobiť úraz elektrickým prúdom.
- ♦ **Na zaistenie a upnutie obrobku k pracovnému stolu používajte svorky alebo iné vhodné prostriedky.** Držanie obrobku rukou alebo opretie obrobku o časť tela nezaistí jeho stabilitu a môže viesť k strate kontroly.
- ♦ **Určené použitie tohto výrobku je popísané v tomto návode.** Použitie iného príslušenstva alebo prídavného zariadenia a vykonávanie iných pracovných operácií než je odporúčané



týmto návodom, môže predstavovať riziko zranenia obsluhy alebo riziko spôsobenia hmotných škôd.



**Varovanie!** Rázové ťahovače nie sú momentové kľúče. Nepoužívajte toto náradie na ťahovanie montážnych prvkov predpísaným ťahovacím momentom. Pri nedostatočne alebo nadmerne dotiahnutých montážnych prvkoch by sa malo používať kalibrované meracie zariadenie, ako je momentový kľúč, aby nedošlo k zlyhaniu spoja.

### Bezpečnosť ostatných osôb

- ♦ Tento výrobok nie je určený na použitie osobami (vrátane detí) so zníženými fyzickými, zmyslovými alebo duševnými schopnosťami, alebo s nedostatkom skúseností a znalostí, ak týmto osobám nebol stanovený dohľad, alebo ak im neboli poskytnuté inštrukcie týkajúce sa použitia výrobku osobou zodpovednou za ich bezpečnosť.
- ♦ Deti by mali byť pod dozorom, aby bolo zaistené, že sa s týmto náradím nebudú hrať.

### Zvyškové riziká

Ak sa náradie používa iným spôsobom, než je uvedené v priložených bezpečnostných varovaniach, môžu sa objaviť dodatočné zvyškové riziká. Tieto riziká môžu vzniknúť v dôsledku nesprávneho použitia, dlhodobého použitia atď.

Napriek tomu, že sa dodržiavajú príslušné bezpečnostné predpisy a používajú sa bezpečnostné zariadenia, určité zvyškové riziká sa nemôžu vylúčiť. Tieto riziká sú nasledujúce:

- ♦ Zranenia spôsobené kontaktom s akoukoľvek rotujúcou alebo pohybujúcou sa časťou náradia.
- ♦ Zranenia spôsobené pri výmene dielov, pracovného nástroja alebo príslušenstva.
- ♦ Zranenia spôsobené dlhodobým použitím náradia. Ak používate akékoľvek náradie dlhší čas, zaistite, aby sa robili pravidelné prestávky.
- ♦ Poškodenie sluchu.
- ♦ Zdravotné riziká spôsobené vdychovaním prachu vytváraného pri použití náradia (príklad: - práca s drevom, najmä s dubovým, bukovým a MDF).

### Vibrácie

Deklarovaná úroveň vibrácií uvedená v technických údajoch a vo vyhlásení o zhode bola meraná v súlade so štandardnou skúšobnou metódou predpísanou normou EN 60745 a môže sa použiť na porovnanie jednotlivých náradí medzi sebou.

Deklarovaná úroveň vibrácií sa môže tiež použiť na predbežné stanovenie času práce s týmto náradím.

**Varovanie!** Úroveň vibrácií pri aktuálnom použití elektrického náradia sa môže od deklarovanej úrovne vibrácií líšiť v závislosti od spôsobu použitia náradia. Úroveň vibrácií môže byť vzhľadom na uvedenú hodnotu vyššia.

Pri stanovení času pôsobenia vibrácií, z dôvodu určenia bezpečnostných opatrení podľa normy 2002/44/ES na ochranu osôb pravidelne používajúcich elektrické náradie v zamestnaní, by mal predbežný odhad pôsobenia vibrácií brať na zreteľ aktuálne podmienky použitia náradia s prihliadnutím na všetky časti pracovného cyklu, ako sú časy, keď je náradie vypnuté a keď beží naprázdno.

### Štítky na náradie

Na náradí sú zobrazené nasledovné piktogramy:



**Varovanie!** Z dôvodu zníženia rizika spôsobenia úrazu si používateľ musí prečítať tento návod na obsluhu.

### Ďalšie bezpečnostné pokyny pre akumulátory a nabíjačky

#### Akumulátor

- ♦ Akumulátor nikdy zo žiadneho dôvodu nerozoberajte.
- ♦ Zabráňte kontaktu akumulátora s vodou.
- ♦ Neskladujte akumulátory na miestach, kde môže teplota presiahnuť 40 °C.
- ♦ Nabíjajte akumulátory iba pri teplotách v rozsahu od 10 do 40 °C.
- ♦ Nabíjajte iba nabíjačkou dodanou s náradím.
- ♦ Pri likvidácii akumulátorov sa riadte pokynmi uvedenými v časti „Ochrana životného prostredia“.

#### Nabíjačky

- ♦ Používajte nabíjačku BLACK+DECKER iba na nabíjanie akumulátora, ktorý bol dodaný s týmto náradím. Iné akumulátory môžu prasknúť, spôsobiť zranenie alebo iné škody.
- ♦ Nikdy sa nepokúšajte nabíjať akumulátory, ktoré nie sú určené na nabíjanie.
- ♦ Poškodené káble ihneď vymeňte.
- ♦ Zabráňte kontaktu nabíjačky s vodou.
- ♦ Nesnažte sa nabíjačku demontovať.
- ♦ Nepokúšajte sa do nabíjačky preniknúť.



Táto nabíjačka nie je určená na vonkajšie použitie.



Pred použitím si pozorne prečítajte tento návod.



Bezpečnostný odpájací transformátor. Napájanie je elektricky oddelené od výstupu transformátora.



Ak je okolitá teplota príliš vysoká, nabíjačka sa automaticky vypne. V dôsledku toho bude nabíjačka mimo prevádzky. Zariadenie sa musí odpojiť od elektrickej siete a musí sa poslať do autorizovaného servisu, kde bude opravené.

## Elektrická bezpečnosť



Táto nabíjačka má dvojité izoláciu. Preto nie je nutné použitie uzemňovacieho vodiča. Vždy skontrolujte, či napätie v elektrickej sieti zodpovedá napätiu, ktoré je uvedené na výkonovom štítku. Nikdy sa nepokúšajte nahradiť nabíjačku priamym pripojením k zásuvke elektrického prúdu.

- ♦ Ak je poškodený prírodný kábel, musí byť vymenený výrobcom alebo v autorizovanom servise BLACK+DECKER, aby sa zabránilo možným rizikám.

**Varovanie!** Nikdy sa nepokúšajte nahradiť nabíjačku priamym pripojením k zásuvke elektrického prúdu.

## Popis

Toto náradie sa skladá z niektorých alebo zo všetkých nasledujúcich častí.

1. Hlavný vypínač
2. Prepínač pravého/ľavého chodu
3. Držiak nástrojov
4. LED diódové svetidlo
5. Magnetický držiak nástrojov

## Obr. A

6. Nabíjačka
7. Kolíkový konektor nabíjačky
8. Nabíjací konektor

## Zostavenie

### Upnutie a vybratie príslušenstva (obr. B)

Na toto náradie sa používa skrutkovací a vŕtací nástavec so šesťhrannou upínacou stopkou 1/4" (6,35 mm).

- ♦ Ak chcete pracovný nástroj nasadiť, vložte jeho upínaciu stopku do držiaka pracovných nástrojov (3).
- ♦ Ak chcete pracovný nástroj vybrať, vyberte jeho upínaciu stopku z držiaka pracovných nástrojov (3).

**Poznámka:** Pravouhlé príslušenstvo, ktoré je zobrazené na obr. E - J, nemusí byť s Vaším náradím dodávané.

## Použitie

**Varovanie!** Nechajte náradie pracovať jeho vlastným tempom. Zamedzte preťažovaniu náradia.

- ♦ Pred prvým použitím je nutné akumulátor nabíjať minimálne 15 hodín.

### Nabíjanie akumulátora (obr. C)

- ♦ Zasuňte kolíkový konektor nabíjačky (7) do nabíjacieho konektora (8).
- ♦ Pripojte nabíjačku (6) k sieti.
- ♦ Nechajte náradie prepojené s nabíjačkou 15 hodín.

Nabíjačka sa môže počas nabíjania zahrievať. Ide o normálny stav, ktorý neznamená žiadny problém.

**Varovanie!** Na nabíjanie tohto modelu CS3652LC používajte iba dodanú nabíjačku.

**Varovanie!** Nenabíjajte akumulátor pri teplotách nižších než 10 °C alebo vyšších než 40 °C.

### Voľba smeru otáčania (obr. D)

Pre vŕtanie a ťahovanie skrutiek použite pravý chod. Pri povoľovaní skrutiek a uvoľňovaní zaseknutého vŕtáka použite ľavý chod.

- ♦ Ak chcete zvoliť chod vpred, zatlačte tlačidlo pre chod vpred/vzad (2) doprava.
- ♦ Ak chcete zvoliť chod vzad, zatlačte tlačidlo pre chod vpred/vzad (2) doľava.
- ♦ Ak chcete náradie zablokovať, nastavte tlačidlo pre chod vpred/vzad do stredovej polohy.

### Vŕtanie/skrutkovanie

- ♦ Pomocou tlačidla pre chod vpred/vzad (2) zvolte smer otáčania vpred alebo vzad.
- ♦ Ak chcete náradie zapnúť, stlačte hlavný vypínač (1).
- ♦ Ak chcete náradie vypnúť, uvoľnite hlavný vypínač (1).

### LED diódové svetidlo

Diódové svetidlo (4) sa automaticky rozsvieti pri stlačení hlavného vypínača. Toto svetidlo bude svieťiť tiež v situácii, keď bude stlačený hlavný vypínač a tlačidlo pre chod vpred/vzad (2) bude v stredovej blokovej polohe.

## Rady na optimálne použitie

### Skrutkovanie

- ♦ Vždy používajte správny typ a veľkosť skrutkovacieho nástavca.
- ♦ Ak sa skrutky nedajú správne pritiahnuť, použite ako mazivo malé množstvo saponátu alebo mydlového roztoku.



- ♦ Na uvoľnenie veľmi dotiahnutých skrutiek alebo ak potrebujete skrutky silno dotiahnuť, používajte zaistenie hriadeľa.
- ♦ Náradie so skrutkovacím nastavcom držte vždy v jednej osi so skrutkou.
- ♦ Pri skrutkovaní do dreva Vám odporúčame vyvŕtať vodiaci otvor, ktorého hĺbka bude zodpovedať dĺžke skrutky. Vodiaci otvor vedie skrutku a zabraňuje štiepaniu dreva alebo jeho deformáciám. Optimálne veľkosti vodiacich otvorov sú uvedené v nasledujúcej tabuľke.
- ♦ Pri skrutkovaní do tvrdého dreva Vám odporúčame vyvŕtať otvor s vôľou, ktorého hĺbka bude zodpovedať polovici dĺžky skrutky. Optimálne veľkosti otvorov s vôľou sú uvedené v nasledujúcej tabuľke.

Veľkosť skrutky	Vodiaci otvor $\varnothing$ (mäkké drevo)	Vodiaci otvor $\varnothing$ (tvrdé drevo)	Otvor s vôľou
Č. 6 (3,5 mm)	2,0 mm	2,5 mm	3,6 mm
Č. 8 (4 mm)	2,5 mm	3,0 mm	4,5 mm
Č. 10 (5 mm)	3,0 mm	3,5 mm	5,0 mm

### Vŕtanie menších otvorov

- ♦ Vždy vyvíjajte mierny tlak v osi vŕtáka.
- ♦ Tesne pred preniknutím špičky vŕtáka druhou stranou obrobku zmenšite tlak vyvíjaný na náradie.
- ♦ Podložte obrobok kúskom dreva, aby pri prieniku vŕtáka nedochádzalo k tvorbe triesok na povrchu obrobku.
- ♦ Na zvýšenie presnosti vŕtania si vždy uprostred diery, ktorú chcete vŕtať, vytvorte pomocou prípojníka vodiacu značku na povrchu obrobku.

### Príslušenstvo

Výkon Vášho náradia závisí od používaného príslušenstva. Príslušenstvá BLACK+DECKER a Piranha sú navrhnuté a vyrobené podľa noriem pre vysokú kvalitu a sú určené na zvýšenie výkonu Vášho náradia. Použitím tohto príslušenstva docielite najlepší výsledok, aký Vám Vaše náradie môže poskytnúť. Toto náradie používa skrutkovacie násady s upínacím šesťhranom 6,35 mm (1/4). Príslušenstvo Piranha Super-lok je určené na použitie s týmito náradím.

### Údržba

Vaše náradie BLACK+DECKER bolo skonštruované tak, aby pracovalo dlhý čas s minimálnymi nárokmi na údržbu. Riadna starostlivosť o náradie a jeho pravidelné čistenie Vám zaisťujú jeho bezproblémový chod.

Vaša nabíjačka nevyžaduje žiadnu údržbu okrem pravidelného čistenia.

**Varovanie!** Pred vykonávaním akejkoľvek údržby na tomto náradí a pred čistením odpojte nabíjačku.

- ♦ Vetracie otvory náradia a nabíjačky pravidelne čistite mäkkou kefou alebo suchou handričkou.
- ♦ Pomocou vlhkej handričky pravidelne čistite kryt motora. Nepoužívajte žiadne abrazívne čistiace prostriedky alebo rozpúšťadlá.
- ♦ Pravidelne otvárajte skľučovadlo a poklepaním odstráňte prach z jeho vnútorných častí.

### Ochrana životného prostredia



Triedte odpad. Tento výrobok sa nesmie likvidovať v bežnom domovom odpade.

Ak nebudete výrobok BLACK+DECKER ďalej používať alebo ak si ho prajete nahradiť novým, nelikvidujte ho spolu s bežným komunálnym odpadom. Zaisťujte likvidáciu tohto výrobku v triedenom odpade.



Triedený odpad umožňuje recykláciu a opätovné využitie použitých výrobkov a obalových materiálov. Opätovné použitie recyklovaných materiálov pomáha chrániť životné prostredie pred znečistením a znižuje spotrebu surovín.

Pri kúpe nových výrobkov Vám predajne, miestne zberne odpadov alebo recyklačné stanice poskytnú informácie o správnej likvidácii elektroodpadov z domácnosti.

Spoločnosť BLACK+DECKER poskytuje službu zberu a recyklácie výrobkov BLACK+DECKER po skončení ich prevádzkovej životnosti. Ak chcete využiť výhody tejto služby, odovzdajte, prosím, Váš výrobok ktorémukoľvek zástupcovi autorizovaného servisu, ktorý zariadenie odoberie a zaisťujú jeho recykláciu.

Miesto najbližšieho autorizovaného servisu BLACK+DECKER nájdete na príslušnej adrese uvedenej v tomto návode. Zoznam autorizovaných servisov BLACK+DECKER a podrobnosti o popredajnom servise nájdete aj na internetovej adrese: [www.2helpU.com](http://www.2helpU.com).

### Akumulátor



V tomto výrobku nie sú žiadne časti, ktoré by mohol opraviť používateľ.

- ♦ Po ukončení prevádzkovej životnosti Vášho výrobku odovzdajte celú jednotku zástupcovi servisu alebo v miestnom zbernom dvore, kde zaisťujú recykláciu akumulátora. Nevyhadzujte toto náradie do bežného domáceho odpadu.

## Technické údaje

		CS3652LC (H1)
Napájacie napätie	V	3,6
Otáčky naprázdno	min <sup>-1</sup>	180
Medzný moment	Nm	5,84
Maximálny moment	Nm	5,5
Držiak nástrojov	mm	6,35 (1/4")
Hmotnosť	kg	0,32

		906146** H1
Napájacie napätie	V	3,6
Typ akumulátora		Li-Ion
Kapacita (Ah)		1,5

		905450** H1
Napájacie napätie	V	230
Približný čas nabíjania	hod.	15
Hmotnosť	kg	0,14

### Hladina akustického tlaku podľa normy EN 60745:

Akustický tlak ( $L_{pA}$ ) 54 dB (A), odchýlka (K) 3 dB (A),  
Akustický výkon ( $L_{WA}$ ) 65 dB (A), odchýlka (K) 3 dB (A)

### Celková úroveň vibrácií (priestorový vektorový súčet) podľa normy EN 60745:

Skrutkovanie bez rázov ( $a_{h,rs}$ ) 0,3 m/s<sup>2</sup>, odchýlka (K) 1,5 m/s<sup>2</sup>

## ES Vyhlásenie o zhode v rámci EÚ

SMERNICA PRE STROJOVÉ ZARIADENIA



CS3652LC

Spoločnosť Black & Decker vyhlasuje, že tieto produkty popisované v technických údajoch spĺňajú požiadavky nasledujúcich noriem: 2006/42/ES, EN 60745-1, EN 60745-2-2.

Tieto výrobky spĺňajú aj požiadavky smerníc 2014/30/EÚ a 2011/65/EÚ. Ak chcete získať ďalšie informácie, kontaktujte, prosím, spoločnosť Black & Decker na tejto adrese alebo na adresách, ktoré sú uvedené na konci tohto návodu.

Nižšie podpísaná osoba je zodpovedná za zostavenie technických údajov a vydáva toto vyhlásenie v zastúpení spoločnosti Black & Decker.

R. Laverick  
Technický riaditeľ  
Black & Decker Europe  
210 Bath Road, Slough  
Berkshire, SL1 3YD  
United Kingdom  
19.01.2015

## Záruka

Spoločnosť Black & Decker je presvedčená o kvalite svojich výrobkov a ponúka mimoriadnu záruku. Táto záruka je ponúkaná v prospech zákazníka a nijako neovplyvní jeho zákonné záručné práva. Táto záruka platí vo všetkých členských štátoch EÚ a Európskej zóny voľného obchodu EFTA.

Ak sa objavia na výrobku Black & Decker v priebehu 24 mesiacov od kúpy akékoľvek materiálové či výrobné chyby, spoločnosť Black & Decker garantuje v snahe o minimalizovanie vašich starostí bezplatnú výmenu chybných dielcov, opravu alebo výmenu celého výrobku za nižšie uvedených podmienok:

- ♦ Výrobok nebol používaný na obchodné alebo profesionálne účely a nedochádzalo k jeho prenájmu;
- ♦ Výrobok nebol vystavený nesprávnemu použitiu a nebola zanedbaná jeho predpísaná údržba;
- ♦ Výrobok nebol poškodený cudzím zavinením;
- ♦ Opravy neboli vykonávané inými osobami, než autorizovanými opravármi alebo mechanikmi autorizovaného servisu Black & Decker.

Ak požadujete záručnú opravu, budete musieť predajcovi alebo zástupcovi autorizovaného servisu predložiť doklad o kúpe výrobku. Miesto najbližšieho autorizovaného servisu Black & Decker nájdete na príslušnej adrese uvedenej v tomto návode. Zoznam autorizovaných servisov Black & Decker a podrobnosti o popredajnom servise nájdete aj na internetovej adrese: [www.2helpU.com](http://www.2helpU.com).

Navštívte, prosím, našu internetovú stránku [www.blackanddecker.sk](http://www.blackanddecker.sk), aby ste mohli zaregistrovať Váš nový výrobok BLACK+DECKER a kde budete informovaní o našich nových výrobkoch a špeciálnych ponukách. Na adrese [www.blackanddecker.sk](http://www.blackanddecker.sk) sú k dispozícii ďalšie informácie o značke BLACK+DECKER a o celom rade našich ďalších výrobkov.

## Назначение

Ваш винтовёрт BLACK+DECKER предназначен для заворачивания саморезов. Данный инструмент предназначен только для использования в домашних условиях.

## Инструкции по технике безопасности

### Общие правила безопасности при работе с электроинструментами



**Внимание!** Внимательно прочтите все инструкции по безопасности и руководство по эксплуатации. Несоблюдение всех перечисленных ниже правил безопасности и инструкций может привести к поражению электрическим током, возникновению пожара и/или получению тяжёлой травмы.

Сохраните все инструкции по безопасности и руководство по эксплуатации для их дальнейшего использования. Термин «Электроинструмент» во всех приведённых ниже указаниях относится к Вашему сетевому (с кабелем) или аккумуляторному (беспроводному) электроинструменту.

1. **Безопасность рабочего места**
  - a. **Содержите рабочее место в чистоте и обеспечьте хорошее освещение.** Плохое освещение или беспорядок на рабочем месте может привести к несчастному случаю.
  - b. **Не используйте электроинструменты, если есть опасность возгорания или взрыва, например, вблизи легко воспламеняющихся жидкостей, газов или пыли.** В процессе работы электроинструменты создают искровые разряды, которые могут воспламенить пыль или горючие пары.
  - c. **Во время работы с электроинструментом не подпускайте близко детей или посторонних лиц.** Отвлечение внимания может вызвать у Вас потерю контроля над рабочим процессом.
2. **Электробезопасность**
  - a. **Вилка кабеля электроинструмента должна соответствовать штепсельной розетке. Ни в коем случае не видоизменяйте вилку электрического кабеля. Не используйте соединительные штепсели-переходники, если в силовом кабеле электроинструмента есть провод заземления. Использование оригинальной вилки**

кабеля и соответствующей ей штепсельной розетки уменьшает риск поражения электрическим током.

- b. **Во время работы с электроинструментом избегайте физического контакта с заземлёнными объектами, такими как трубопроводы, радиаторы отопления, электроплиты и холодильники.** Риск поражения электрическим током увеличивается, если Ваше тело заземлено.
  - c. **Не используйте электроинструмент под дождём или во влажной среде.** Попадание воды в электроинструмент увеличивает риск поражения электрическим током.
  - d. **Бережно обращайтесь с электрическим кабелем. Ни в коем случае не используйте кабель для переноски электроинструмента или для вытягивания его вилки из штепсельной розетки. Не подвергайте электрический кабель воздействию высоких температур и смазочных веществ; держите его в стороне от острых кромок и движущихся частей инструмента. Повреждённый или запутанный кабель увеличивает риск поражения электрическим током.**
  - e. **При работе с электроинструментом на открытом воздухе используйте удлинительный кабель, предназначенный для наружных работ.** Использование кабеля, пригодного для работы на открытом воздухе, снижает риск поражения электрическим током.
  - f. **При необходимости работы с электроинструментом во влажной среде используйте источник питания, оборудованный устройством защитного отключения (УЗО).** Использование УЗО снижает риск поражения электрическим током.
3. **Личная безопасность**
    - a. **При работе с электроинструментами будьте внимательны, следите за тем, что Вы делаете, и руководствуйтесь здравым смыслом. Не используйте электроинструмент, если Вы устали, а также находясь под действием алкоголя или понижающих реакцию лекарственных препаратов и других средств. Малейшая неосторожность при работе с электроинструментами может привести к серьёзной травме.**
    - b. **При работе используйте средства индивидуальной защиты. Всегда надевайте защитные очки. Своевременное исполь-**

- зование защитного снаряжения, а именно: пылезащитной маски, ботинок на нескользящей подошве, защитного шлема или противошумовых наушников, значительно снизит риск получения травмы.
- c. **Не допускайте непреднамеренного запуска.** Перед тем, как подключить электроинструмент к сети и/или аккумулятору, поднять или перенести его, убедитесь, что выключатель находится в положении «выключено». Не переносите электроинструмент с нажатым курковым выключателем и не подключайте к сетевой розетке электроинструмент, выключатель которого установлен в положение «включено», это может привести к несчастному случаю.
  - d. **Перед включением электроинструмента снимите с него все регулировочные или гаечные ключи.** Регулировочный или гаечный ключ, оставленный закреплённым на вращающейся части электроинструмента, может стать причиной тяжёлой травмы.
  - e. **Работайте в устойчивой позе. Всегда сохраняйте равновесие и устойчивую позу.** Это позволит Вам не потерять контроль при работе с электроинструментом в непредвиденной ситуации.
  - f. **Одевайтесь соответствующим образом.** Во время работы не надевайте свободную одежду или украшения. Следите за тем, чтобы Ваши волосы, одежда или перчатки находились в постоянном отдалении от движущихся частей инструмента. Свободная одежда, украшения или длинные волосы могут попасть в движущиеся части инструмента.
  - g. **Если электроинструмент снабжён устройством сбора и удаления пыли, убедитесь, что данное устройство подключено и используется надлежащим образом.** Использование устройства пылеудаления значительно снижает риск возникновения несчастного случая, связанного с запылённостью рабочего пространства.
4. **Использование электроинструментов и технический уход**
    - a. **Не перегружайте электроинструмент. Используйте Ваш инструмент по назначению.** Электроинструмент работает надёжно и безопасно только при соблюдении параметров, указанных в его технических характеристиках.
    - b. **Не используйте электроинструмент, если его выключатель не устанавливается в положение включения или выключения.** Электроинструмент с неисправным выключателем представляет опасность и подлежит ремонту.
    - c. **Отключайте электроинструмент от сетевой розетки и/или извлекайте аккумулятор перед регулированием, заменой принадлежностей или при хранении электроинструмента.** Такие меры предосторожности снижают риск случайного включения электроинструмента.
    - d. **Храните неиспользуемые электроинструменты в недоступном для детей месте и не позволяйте лицам, не знакомым с электроинструментом или данными инструкциями, работать с электроинструментом.** Электроинструменты представляют опасность в руках неопытных пользователей.
    - e. **Регулярно проверяйте исправность электроинструмента.** Проверяйте точность совмещения и лёгкость перемещения подвижных частей, целостность деталей и любых других элементов электроинструмента, воздействующих на его работу. Не используйте неисправный электроинструмент, пока он не будет полностью отремонтирован. Большинство несчастных случаев являются следствием недостаточного технического ухода за электроинструментом.
    - f. **Следите за остротой заточки и чистотой режущих принадлежностей.** Принадлежности с острыми кромками позволяют избежать заклинивания и делают работу менее утомительной.
    - g. **Используйте электроинструмент, аксессуары и насадки в соответствии с данным Руководством и с учётом рабочих условий и характера будущей работы.** Использование электроинструмента не по назначению может создать опасную ситуацию.
  5. **Использование аккумуляторных инструментов и технический уход**
    - a. **Заряжайте аккумулятор зарядным устройством указанной производителем марки.** Зарядное устройство, которое подходит к одному типу аккумуляторов, может создать риск возгорания в случае его использования с аккумуляторами другого типа.
    - b. **Используйте электроинструменты только с предназначенными для них аккумуляторами.**

ляторами. Использование аккумулятора какой-либо другой марки может привести к возникновению пожара и получению травмы.

- c. **Держите не используемый аккумулятор подальше от металлических предметов, таких как скрепки, монеты, ключи, гвозди, шурупы, и других мелких металлических предметов, которые могут замкнуть контакты аккумулятора.** Короткое замыкание контактов аккумулятора может привести к получению ожогов или возникновению пожара.
  - d. **В критических ситуациях из аккумулятора может вытечь жидкость (электролит); избегайте контакта с кожей. Если жидкость попала на кожу, смойте её водой. Если жидкость попала в глаза, обратитесь за медицинской помощью.** Жидкость, вытекающая из аккумулятора, может вызвать раздражение или ожоги.
- 6. Сервисное обслуживание**
- a. **Ремонт Вашего электроинструмента должен производиться только квалифицированными специалистами с использованием идентичных запасных частей.** Это обеспечит безопасность Вашего электроинструмента в дальнейшей эксплуатации.

### Дополнительные меры безопасности при работе с электроинструментами



**Внимание!** Дополнительные меры безопасности при работе винтовёртами и ударными гайковёртами.

- ♦ **При работе ударными дрелями всегда надевайте противозумовые наушники.** Воздействие шума может привести к потере слуха.
- ♦ **При работе пользуйтесь дополнительными рукоятками, прилагающимися к инструменту.** Потеря контроля над инструментом может привести к тяжёлой травме.
- ♦ **Держите инструмент за изолированные ручки при выполнении операций, во время которых крепёжная деталь может соприкоснуться со скрытой проводкой.** Контакт крепёжных элементов с находящимся под напряжением проводом делает не покрытые изоляцией металлические части электроинструмента «живыми», что создает опасность поражения оператора электрическим током.

- ♦ **Используйте струбины или другие приспособления для фиксации обрабатываемой детали, устанавливая их только на неподвижной поверхности.** Если держать обрабатываемую деталь руками или с упором в собственное тело, то можно потерять контроль над инструментом или обрабатываемой деталью.
- ♦ Назначение инструмента описывается в данном руководстве по эксплуатации. Использование любых принадлежностей или приспособлений, а также выполнение данным инструментом любых видов работ, не рекомендованных данным руководством по эксплуатации, может привести к несчастному случаю и/или повреждению личного имущества.



**Внимание!** Ударные гайковёрты не являются динамометрическими гайковёртами. Не используйте данный инструмент для затягивания крепёжных элементов с нормативным моментом. Поскольку недостаточное или чрезмерное затягивание крепёжных элементов может послужить причиной неправильного соединения, при работе следует использовать независимое хорошо откалиброванное устройство измерения крутящего момента, например, динамометрический ключ.

### Безопасность посторонних лиц

- ♦ Данный инструмент не может использоваться людьми (включая детей) со сниженными физическими, сенсорными и умственными способностями или при отсутствии необходимого опыта или навыка, за исключением, если они выполняют работу под присмотром или получили инструкции относительно работы с этим инструментом от лица, отвечающего за их безопасность.
- ♦ Не позволяйте детям играть с инструментом.

### Остаточные риски

При работе с данным инструментом возможно возникновение дополнительных остаточных рисков, которые не вошли в описанные здесь правила техники безопасности. Эти риски могут возникнуть при неправильном или продолжительном использовании изделия и т.п.

Несмотря на соблюдение соответствующих инструкций по технике безопасности и использование предохранительных устройств, некото-

рые остаточные риски невозможно полностью исключить. К ним относятся:

- ◆ Травмы в результате касания вращающихся/двигающихся частей инструмента.
- ◆ Риск получения травмы во время смены деталей инструмента, ножей или насадок.
- ◆ Риск получения травмы, связанный с продолжительным использованием инструмента. При использовании инструмента в течение продолжительного периода времени делайте регулярные перерывы в работе.
- ◆ Ухудшение слуха.
- ◆ Ущерб здоровью в результате вдыхания пыли в процессе работы с инструментом (например, при обработке древесины, в особенности, дуба, бука и ДВП).

### Вибрация

Значения уровня вибрации, указанные в технических характеристиках инструмента и декларации соответствия, были измерены в соответствии со стандартным методом определения вибрационного воздействия согласно EN60745 и могут использоваться при сравнении характеристик различных инструментов. Приведённые значения уровня вибрации могут также использоваться для предварительной оценки величины вибрационного воздействия.

**Внимание!** Значения вибрационного воздействия при работе с электроинструментом зависят от вида работ, выполняемых данным инструментом, и могут отличаться от заявленных значений. Уровень вибрации может превышать заявленное значение.

При оценке степени вибрационного воздействия для определения необходимых защитных мер (2002/44/ЕС) для людей, использующих в процессе работы электроинструменты, необходимо принимать во внимание действительные условия использования электроинструмента, учитывая все составляющие рабочего цикла, в том числе, время, когда инструмент находится в выключенном состоянии, время, когда он работает без нагрузки, а также время его запуска и отключения.

### Маркировка инструмента

На инструменте имеются следующие знаки:



**Внимание!** Полное ознакомление с руководством по эксплуатации снизит риск получения травмы.

## Дополнительные меры безопасности при работе с аккумуляторами и зарядными устройствами

### Аккумуляторы

- ◆ Ни в коем случае не пытайтесь разобрать аккумулятор.
- ◆ Не погружайте аккумулятор в воду.
- ◆ Не храните в местах, где температура может превысить 40 °С.
- ◆ Заряжайте аккумулятор только при температуре окружающей среды в пределах 10 °С – 40 °С.
- ◆ Заряжайте только зарядными устройствами, входящими в комплект поставки инструмента.
- ◆ Утилизируйте отработанные аккумуляторы, следуя инструкциям раздела «Защита окружающей среды».

### Зарядные устройства

- ◆ Используйте Ваше зарядное устройство BLACK+DECKER только для зарядки аккумулятора электроинструмента, в комплект поставки которого он входит. Аккумуляторы других марок могут взорваться, что приведёт к получению травмы или повреждению электроинструмента.
- ◆ Ни в коем случае не пытайтесь зарядить непerezаряжаемые аккумуляторы.
- ◆ Немедленно заменяйте повреждённый сетевой кабель.
- ◆ Не погружайте зарядное устройство в воду.
- ◆ Не разбирайте зарядное устройство.
- ◆ Не используйте зарядное устройство в качестве объекта для проведения испытаний.



Зарядное устройство предназначено только для использования внутри помещений.



Перед началом работы внимательно прочтите руководство по эксплуатации.



Предохранительный изолированный трансформатор. Питающая сеть электрически изолирована от выхода трансформатора.



Зарядное устройство автоматически выключается, если температура окружающей среды становится слишком высокой. Зарядное устройство становится неработоспособным. Отсоедините зарядное устройство от электросети и отнесите его в ремонт в авторизованный сервисный центр.



## Электробезопасность



Ваше зарядное устройство защищено двойной изоляцией, что исключает потребность в заземляющем проводе. Всегда проверяйте, соответствует ли напряжение, указанное на табличке с техническими параметрами, напряжению электросети. Ни в коем случае не пытайтесь заменить зарядный блок стандартным сетевым штепселем.

- ♦ Во избежание несчастного случая, замена повреждённого кабеля питания должна производиться только на заводе-изготовителе или в авторизованном сервисном центре BLACK+DECKER.

**Внимание!** Ни в коем случае не пытайтесь заменить зарядный блок стандартным сетевым штепселем.

## Составные части

Ваш инструмент может содержать все или некоторые из перечисленных ниже составных частей:

1. Курковый пусковой выключатель
2. Переключатель направления вращения (реверса)
3. Держатель насадок
4. Светодиодная подсветка
5. Магнитный держатель насадок

### Рис. А

6. Зарядное устройство
7. Штекер зарядного устройства
8. Соединительный разъём для подключения зарядного устройства

## Сборка

### Установка и снятие сверла или отвёрточной насадки (Рис. В)

Данный инструмент использует отвёрточные насадки с шестигранным хвостовиком 6,35 мм (1/4«).

- ♦ Для установки насадки, вставьте её хвостовик в держатель (3).
- ♦ Для снятия насадки, потяните за неё и извлеките из держателя (3).

**Примечание:** В комплект Вашего инструмента может не входить принадлежность, изображённая на Рис. Е-Ж.

## Эксплуатация

**Внимание!** Не форсируйте рабочий процесс. Избегайте перегрузки инструмента.

- ♦ Перед первым использованием инструмента необходимо зарядить аккумулятор в течение не менее 15 часов.

### Зарядка аккумулятора (Рис. С)

- ♦ Вставьте штекер (7) зарядного устройства в соединительный разъём (8).
- ♦ Подсоедините зарядное устройство к сетевой розетке.
- ♦ Оставьте инструмент подключенным к зарядному устройству на 15 часов.

В процессе зарядки зарядное устройство может слегка гудеть и нагреваться. Это нормально, и не указывает на наличие какой-либо проблемы.

**Внимание!** Для зарядки CS3652LC используйте только зарядное устройство, входящее в комплект поставки инструмента.

**Внимание!** Не заряжайте аккумулятор при температуре окружающей среды ниже 10 °С или выше 40 °С.

### Выбор направления вращения (Рис. D)

Выполняйте сверление и заворачивание саморезов, установив направление вращения вперёд. Для выкручивания саморезов или извлечения заклинившего сверла, устанавливайте реверс.

- ♦ Для установки вращения вперёд сдвиньте переключатель направления вращения (2) вправо.
- ♦ Для установки реверса сдвиньте переключатель направления вращения (2) влево.
- ♦ Для блокировки электроинструмента, установите переключатель реверса в среднее положение.

### Сверление/Заворачивание

- ♦ Выберите направление вращения при помощи переключателя (2).
- ♦ Чтобы включить инструмент, нажмите на курковый пусковой выключатель (1).
- ♦ Чтобы выключить инструмент, отпустите курковый пусковой выключатель (1).

### Светодиодная подсветка

При нажатии на курковый выключатель автоматически загорается светодиодная подсветка (4). Подсветка также загорается при каждом нажатии на курковый пусковой выключатель и при установке переключателя реверса (2) в положение блокировки (среднее положение).



## Рекомендации по оптимальному использованию

### Заворачивание

- ♦ Всегда используйте отвёрточную насадку соответствующего типа и размера.
- ♦ Если саморезы заворачиваются с трудом, попробуйте нанести небольшое количество мощного средства или мыла в качестве смазки.
- ♦ Используйте блокировку шпинделя для заворачивания с усилием или выворачивания очень сильно затянутых винтов.
- ♦ Всегда держите инструмент и отвёрточную насадку по прямой линии с винтом.
- ♦ При заворачивании в древесину, рекомендуется просверлить направляющее отверстие на глубину, равную длине самореза. Направляющее отверстие точно направляет саморез и предотвращает раскол и деформацию древесины. Оптимальные диаметры направляющих отверстий представлены в таблице ниже.
- ♦ При заворачивании в древесину твердых пород, также просверлите отверстие зазором на глубину, равную половине длины самореза. Оптимальные диаметры отверстий с зазором представлены в таблице ниже.

Размер самореза	Диаметр направл. отв-я (мягкая древесина)	Диаметр направл. отв-я (твёрдая древесина)	Сквозное отверстие
№ 6 (3,5 мм)	2,0 мм	2,5 мм	3,6 мм
№ 8 (4 мм)	2,5 мм	3,0 мм	4,5 мм
№ 10 (5 мм)	3,0 мм	3,5 мм	5,0 мм

### Сверление направляющих отверстий

- ♦ Всегда прилагайте давление по прямой линии со сверлом.
- ♦ На выходе сверла из просверливаемой заготовки, постепенно уменьшайте прилагаемое к сверлу усилие.
- ♦ Если заготовка может расколоться, подложите под неё деревянный брусок.
- ♦ Разметьте место сверления с помощью кернера, чтобы гарантировать точность расположения отверстия.

### Дополнительные принадлежности

Производительность Вашего электроинструмента напрямую зависит от используемых принадлежностей. Принадлежности BLACK+DECKER и Piranha изготовлены в соответствии с самыми высокими стандартами

качества и способны увеличить производительность Вашего электроинструмента. Используйте эти принадлежности. Вы достигнете наилучших результатов в работе.

Данный инструмент использует отвёрточные насадки с шестигранным хвостовиком 1/4» (6,35 мм). Насадки Piranha Superlok специально разработаны для использования с данным инструментом.

### Техническое обслуживание

Ваш инструмент BLACK+DECKER рассчитан на работу в течение продолжительного времени при минимальном техническом обслуживании. Срок службы и надёжность инструмента увеличиваются при правильном уходе и регулярной чистке.

Ваше зарядное устройство не требует никакого дополнительного технического обслуживания, кроме регулярной чистки.

**Внимание!** Перед проведением технического обслуживания или чистки отключите инструмент от зарядного устройства.

- ♦ Регулярно очищайте вентиляционные отверстия инструмента и зарядного устройства мягкой щёткой или сухой тканью.
- ♦ Регулярно очищайте корпус двигателя влажной тканью. Не используйте абразивные чистящие средства, а также чистящие средства на основе растворителей.
- ♦ Регулярно раскрывайте патрон и вытряхивайте из него всю накопившуюся пыль.

### Защита окружающей среды



Раздельный сбор. Данное изделие нельзя утилизировать вместе с обычными бытовыми отходами.

Если однажды Вы захотите заменить Ваше изделие BLACK+DECKER или Вы больше в нём не нуждаетесь, не выбрасывайте его вместе с бытовыми отходами. Отнесите изделие в специальный приёмный пункт.



Раздельный сбор изделий с истекшим сроком службы и их упаковок позволяет пускать их в переработку и повторно использовать. Использование переработанных материалов помогает защищать окружающую среду от загрязнения и снижает расход сырьевых материалов.

Местное законодательство может обеспечить сбор старых электрических продуктов отдельно от бытового мусора на муниципальных свалках

отходов, или Вы можете сдавать их в торговом предприятии при покупке нового изделия.

Фирма BLACK+DECKER обеспечивает приём и переработку отслуживших свой срок изделий BLACK+DECKER. Чтобы воспользоваться этой услугой, Вы можете сдать Ваше изделие в любой авторизованный сервисный центр, который собирает их по нашему поручению.

Вы можете узнать место нахождения Вашего ближайшего авторизованного сервисного центра, обратившись в Ваш местный офис BLACK+DECKER по адресу, указанному в данном руководстве по эксплуатации. Кроме того, список авторизованных сервисных центров BLACK+DECKER и полную информацию о нашем послепродажном обслуживании и контактах Вы можете найти в интернете по адресу: [www.2helpU.com](http://www.2helpU.com).

### Аккумуляторы



Внутри нет обслуживаемых пользователем деталей.

- ♦ По окончании срока службы отправьте инструмент в авторизованный сервисный центр или в местный пункт переработки, где аккумулятор будет утилизирован должным образом. Не выбрасывайте инструмент вместе с бытовыми отходами.

### Технические характеристики

		CS3652LC (H1)
Напряжение питания	В пост. тока	3,6
Число оборотов без нагрузки	об/мин.	180
Предельный перегрузочный момент	Нм	5,84
Максимальный крутящий момент	Нм	5,5
Держатель насадки	мм	6,35 (1/4»)
Вес	кг	0,32

Аккумулятор	906146** H1	
Напряжение питания	В	3,6
Тип аккумулятора	Li-Ion	
Ёмкость	Ач	1,5

Зарядное устройство	905450** H1	
Напряжение питания	В перем. тока	230
Приблизительное время зарядки	ч	15
Вес	кг	0,14

### Уровень звукового давления в соответствии с EN 60745:

Звуковое давление ( $L_{pA}$ ) 54 дБ(A), погрешность (K) 3 дБ(A), Акустическая мощность ( $L_{WA}$ ) 65 дБ(A), погрешность (K) 3 дБ(A)

### Сумма величин вибрации (сумма векторов по трем осям), измеренных в соответствии со стандартом EN 60745:

Заворачивание без удара ( $a_{h,IS}$ ) 0,3 м/с<sup>2</sup>, погрешность (K) 1,5 м/с<sup>2</sup>

## Декларация соответствия ЕС ДИРЕКТИВА ПО МЕХАНИЧЕСКОМУ ОБОРУДОВАНИЮ



CS3652LC

Black & Decker заявляет, что продукты, обозначенные в разделе «Технические характеристики», полностью соответствуют стандартам: 2006/42/ЕС, EN 60745-1, EN 60745-2-2.

Данные продукты также соответствуют Директивам 2014/30/EU и 2011/65/EU. За дополнительной информацией обращайтесь в Black & Decker по указанному ниже адресу или по адресу, указанному на последней странице руководства.

Нижеподписавшееся лицо полностью отвечает за соответствие технических данных и делает это заявление от имени фирмы Black & Decker.

R. Laverick  
Руководитель отдела  
технических разработок  
Black & Decker Europe  
210 Bath Road, Slough  
Berkshire, SL1 3YD  
United Kingdom  
19.01.2015

## Black & Decker

### Гарантийные условия

#### Уважаемый покупатель!

1. Поздравляем Вас с покупкой высококачественного изделия Black & Decker и выражаем признательность за Ваш выбор.
  2. При покупке изделия требуйте проверки его комплектности и исправности в Вашем присутствии, инструкцию по эксплуатации и заполненный гарантийный талон на русском языке.  
В гарантийном талоне должны быть внесены: модель, дата продажи, серийный номер, дата производства инструмента; название, печать и подпись торговой организации. При отсутствии у Вас правильно заполненного гарантийного талона, а также несоответствия указанных в нем данных мы будем вынуждены отклонить Ваши претензии по качеству данного изделия.
  3. Во избежание недоразумений убедительно просим Вас перед началом работы с изделием внимательно ознакомиться с инструкцией по его эксплуатации. Правовой основой настоящих гарантийных условий является действующее Законодательство.  
Гарантийный срок на данное изделие составляет 24 месяца и исчисляется со дня продажи. В случае устранения недостатков изделия, гарантийный срок продлевается на период его нахождения в ремонте.  
Срок службы изделия составляет 5 лет со дня продажи.
  4. В случае возникновения каких-либо проблем в процессе эксплуатации изделия рекомендуем Вам обращаться только в уполномоченные сервисные центры Black & Decker, адреса и телефоны которых Вы сможете найти в гарантийном талоне, на сайте [www.2helpU.com](http://www.2helpU.com) или узнать в магазине. Наши сервисные станции - это не только квалифицированный ремонт, но и широкий ассортимент запчастей и принадлежностей.
  5. Производитель рекомендует проводить периодическую проверку и техническое обслуживание изделия в уполномоченных сервисных центрах.
6. Наши гарантийные обязательства распространяются только на неисправности, выявленные в течение гарантийного срока и вызванные дефектами производства и \ или материалов.
  7. **Гарантийные условия не распространяются на неисправности изделия, возникшие в результате:**
    - 7.1. Несоблюдения пользователем предписаний инструкции по эксплуатации изделия, применения изделия не по назначению, неправильному хранению, использования принадлежностей, расходных материалов и запчастей, не предусмотренных производителем.
    - 7.2. Механического повреждения (сколы, трещины и разрушения) внутренних и внешних деталей изделия, основных и вспомогательных рукояток, сетевого электрического кабеля, вызванного внешним ударным или любым иным воздействием
    - 7.3. Попадания в вентиляционные отверстия и проникновение внутрь изделия посторонних предметов, материалов или веществ, не являющихся отходами, сопровождающими применение изделия по назначению, такими как: стружка, опилки, песок, и пр.
    - 7.4. Воздействий на изделие неблагоприятных атмосферных и иных внешних факторов, таких как дождь, снег, повышенная влажность, нагрев, агрессивные среды, несоответствие параметров питающей электросети, указанных на инструменте.
    - 7.5. Стихийного бедствия. Повреждение или утрата изделия, связанное с непредвиденными бедствиями, стихийными явлениями, в том числе вследствие действия непреодолимой силы (пожар, молния, потоп и другие природные явления), а также вследствие перепадов напряжения в электросети и другими причинами, которые находятся вне контроля производителя.
  8. **Гарантийные условия не распространяются:**
    - 8.1. На инструменты, подвергшиеся вскрытию, ремонту или модификации вне уполномоченного сервисного центра.
    - 8.2. На детали и узлы, имеющие следы естественного износа, такие как: приводные ремни и колеса, угольные щетки, смазка, подшипники, зубчатое зацепление редукторов, резиновые уплотнения, сальники, направляющие ролики, муфты, выключатели, бойки, толкатели, стволы, и т.п.
    - 8.3. На сменные части: патроны, цанги, зажимные гайки и фланцы, фильтры, аккумуляторные батареи, ножи, шлифовальные подошвы, цепи, звездочки, пильные шины, защитные кожухи, пилки, абразивы, пильные и абразивные диски, фрезы, сверла, буры и т.п.
    - 8.4. На неисправности, возникшие в результате перегрузки инструмента (как механической, так и электрической), повлекшей выход из строя одновременно двух и более деталей и узлов, таких как: ротора и статора, обеих обмоток статора, ведомой и ведущей шестерни редуктора или других узлов и деталей. К безусловным признакам перегрузки изделия относятся, помимо прочих: появление цветов побежалости, деформация или оплавление деталей и узлов изделия, потемнение или обугливание изоляции проводов электродвигателя под воздействием высокой температуры.

## Область застосування

Ваша викрутка виробництва компанії BLACK+DECKER розроблена для використання при виконанні загвинчування. Цей інструмент призначений лише для побутового використання.

## Інструкції з техніки безпеки

### Загальні правила безпеки для електричного інструменту



**Попередження!** Перед використанням інструменту уважно прочитайте всі попередження та інструкції. Невиконання попереджень та інструкцій, наведених нижче, може призвести до ураження електричним струмом, пожежі та/або серйозних травм.

**Збережіть всі попередження та інструкції для використання в майбутньому.** Термін „електричний інструмент“, в усіх попередженнях, перерахованих нижче, стосується використовуваних Вами інструментів, що працюють від мережі енергоспоживання (з використанням електричного кабелю) або акумуляторів (без кабелю).

#### 1. Безпека робочої зони

- a. **Тримайте робочу зону чистою та добре освітленою.** Неупорядковані та темні робочі зони збільшують ймовірність нещасного випадку.
- b. **Не використовуйте електричні інструменти у вибухонебезпечній атмосфері, наприклад, у присутності вогненебезпечних рідин, газів та пилу.** Електричні інструменти створюють іскри, що можуть запалити пил або випаровування.
- c. **Тримайте дітей та сторонніх подалі під час використання інструменту.** Відвернення уваги може призвести до втрати контролю.

#### 2. Електрична безпека

- a. **Вилка електричного інструменту має відповідати розетці. Ніколи ніяким чином не змінюйте вилку. Не використовуйте адаптерів із заземленими електричними інструментами.** Немодифіковані вилки та розетки, що підходять до них, зменшують ризик ураження електричним струмом.
- b. **Уникайте контакту тіла з заземленими поверхнями, такими як труби, радіатори, плити та холодильники.** Якщо Ваше тіло заземлене, збільшується ризик ураження електричним струмом.

- c. **Не залишайте електричні інструменти під дощем або за умов підвищеної вологості.** Вода, що потрапляє в електричний інструмент, підвищує ризик ураження електричним струмом.
- d. **Не використовуйте кабель живлення не за призначенням. Ніколи не використовуйте шнур для перенесення, витягування та відключення від розетки живлення електричного інструменту. Тримайте шнур подалі від високих температур, мастила, гострих предметів та рухомих деталей.** Пошкоджені або перекручені шнури підвищують ризик ураження електричним струмом.
- e. **При використанні електричного інструменту на вулиці, використовуйте подовжуючий шнур, що підходить для використання на позу приміщеннями.** Використання шнура, що підходить для вулиці, знижує ризик ураження електричним струмом.
- f. **Якщо неможливо уникнути використання електричного інструменту за умов підвищеної вологості, використовуйте живлення, захищене пристроєм залишкового струму (RCD).** Використання RCD знижує ризик ураження електричним струмом.

#### 3. Особиста безпека

- a. **Будьте в стані готовності, дивіться, що ви робите, та використовуйте загальний глузд, коли ви працюєте з електричним інструментом. Не використовуйте електричний інструмент, коли ви втомлені або знаходитесь під впливом наркотичних речовин, алкоголю або ліків.** Втрата уваги при роботі з електричними інструментами може призвести до серйозних травм.
- b. **Використовуйте особисті засоби безпеки. Завжди використовуйте засоби захисту очей.** Засоби безпеки, такі як протипилова маска, неслизькі безпечні чоботи, твердий капелюх та засоби захисту слухового апарату, які використані для відповідних умов, зменшують ймовірність особистих травм.
- c. **Уникайте випадкового запуску. Переконайтеся в тому, що вимикач знаходиться в позиції Вимк. перед підключенням до джерела живлення та/або акумулятора, переміщенням або перенесенням пристрою.** Перенесення інструменту, тримаючи палець на вимикачі, або підключення живлення з перемикачем в позиції Увімк. може призвести до нещасного випадку.

- d. Зніміть всі налаштувальні ключі або гайкові ключі перед тим, як вмикати електричний інструмент. Гайковий ключ, що залишився прикріпленим до якоїсь деталі електричного пристрою, що обертається, може призвести до травм.
  - e. **Не перенапружуйтеся. Завжди утримуйте правильну постановку ніг і рівновагу.** Це дає вам змогу краще контролювати інструмент в неочікуваних ситуаціях.
  - f. **Вдягайте відповідний одяг. Не вдягайте вільний одяг чи прикраси. Тримайте ваше волосся, одяг та рукавички подалі від рухомих деталей.** Вільний одяг, прикраси або довге волосся може зачепитися за рухомі деталі.
  - g. **Якщо передбачені пристрої для підключення до засобів виділення та збирання пилу, переконайтеся, що вони правильно підключені та використовуються.** Використання таких пристроїв зменшує ризик виникнення небезпечних ситуацій, що пов'язані з потраплянням пилу.
- 4. Використання та догляд за електричним інструментом**
- a. **Не використовуйте надмірні зусилля при роботі з інструментом. Використовуйте відповідний електричний інструмент для вашої задачі.** Правильно обраний інструмент виконає завдання краще та безпечніше за умов, для яких він був розроблений.
  - b. **Не використовуйте інструмент, вмикач якого не вмикає та не вимикає його.** Будь-який електричний інструмент, який не може управлятися вмикачем, є небезпечним і має бути відремонтований.
  - c. **Відключіть вилку від джерела живлення та/або зніміть акумуляторний блок з інструменту перед тим, як робити будь-які налаштування, змінювати додаткове обладнання чи зберігати інструмент.** Ці профілактичні заходи зменшують ризик випадкового запуску електричного інструменту.
  - d. **Зберігайте вимкнені електричні інструменти подалі від дітей та не дозволяйте особам, що не знайомі з електричним інструментом або цими інструкціями, використовувати електричний інструмент.** Електричні інструменти є небезпечними, якщо вони використовуються некваліфікованими користувачами.
  - e. **Технічне обслуговування електричних інструментів. Перевіряйте на відсутність**
- вирівнювання або заїдання рухомих деталей, ушкоджених частин та інших умов, що можуть впливати на роботу електричного інструменту. Якщо є ушкодження, відремонтуйте електричний інструмент перед використанням.** Багато нещасних випадків є результатом того, що інструмент не пройшов відповідного технічного обслуговування.
- f. **Тримайте ріжучі інструменти гострими та чистими.** Правильно доглянуті ріжучі інструменти з гострими ріжучими кромками мають меншу ймовірність заїдання, та ними легше керувати.
  - g. **Використовуйте електричний інструмент, додаткові інструменти та деталі інструменту тощо у відповідності до цих інструкцій, зважаючи на умови використання та роботу, яка має бути виконана.** Використання електричних інструментів не за призначенням може призвести до виникнення небезпечних ситуацій.
- 5. Використання та догляд за інструментом, що працює від акумулятора**
- a. **Заряджайте інструмент лише за допомогою зарядного пристрою, що вказаний виробником.** Зарядний пристрій, що підходить до одного типу акумуляторів, може призвести до пожежі, коли використовується з іншим акумулятором.
  - b. **Використовуйте електричні інструменти лише зі спеціально розробленим акумулятором.** Використання інших акумуляторів може призвести до травм або пожежі.
  - c. **Коли акумулятори не використовуються, зберігайте їх подалі від металевих предметів, як скріпки, монети, ключі, цвяхи, гвинти або інші невеликі предмети, що можуть призвести до замикання двох контактів.** Зімкнення терміналів акумулятора може призвести до вибуху або пожежі.
  - d. **За невідповідних умов використання рідина може витікати з батареї, уникайте контакту з цією рідиною.** При випадковому контакті змийте відповідне місце водою. Якщо рідина потрапила в очі, необхідно звернутися до лікаря. Рідина, що витікає з батареї, може призвести до подразнень та опіків.
- 6. Обслуговування**
- a. **Надавайте електричний інструмент для обслуговування кваліфікованим спеціалістом з ремонту та використовуйте**

тільки ідентичні замінні деталі. Це забезпечить безпеку електричного пристрою, що обслуговується.

### Додаткові правила безпеки для електричного інструменту



**Попередження!** Додаткові попередження щодо техніки безпеки для викруток та гайковертів

- ◆ **Використовуйте засоби захисту органів слуху при роботі з ударним дрилем.** Шум може викликати втрату слуху.
- ◆ **Використовуйте додаткові ручки, що надаються з цим інструментом.** Втрата контролю над інструментом може викликати травми.
- ◆ **Тримайте інструмент за ізольовану поверхню при виконанні операцій, коли кріпильний елемент може торкнутися схованої проводки.** Контакт кріпильних елементів з дротом під напругою може призвести до появи напруги в інструменті та ураження оператора електричним струмом.
- ◆ **Використовуйте затискачі або інший спосіб закріплення деталі, що оброблюється, на стабільній платформі.** Утримування заготовки в руці та біля тіла робить її нестабільною та може призвести до втрати контролю.
- ◆ Використання за призначенням описане в цьому керівництві з використання. Використання аксесуарів або приладдя, або виконання будь-яких дій з інструментом, що суперечать рекомендаціям цього керівництва, може призвести до ризику травмування людини та/або пошкодження майна.



**Попередження!** Гайковерти ударної дії не є динамометричними гайковертами. Не використовуйте цей інструмент для затягування кріплення на певну кількість обертів. Окремий калібрований пристрій вимірювання моменту обертання, наприклад, динамометричний гайковерт, необхідно використовувати, коли недостатньо або надмірно затягнуті кріплення можуть призвести до пошкодження з'єднання.

### Безпека сторонніх людей

- ◆ Цей пристрій не призначений для використання особами (включаючи дітей) із зниженими фізичними, сенсорними або розумовими можливостями або особами, яким бракує досвіду або знань за винятком

випадків, коли такі особи працюють під наглядом або отримали інструкції щодо використання пристрою від особи, яка несе відповідальність за їх безпеку.

- ◆ Діти повинні знаходитись під контролем, щоб гарантувати, що вони не будуть грати з пристроєм.

### Залишкові ризики.

При використанні інструменту можуть виникнути додаткові залишкові ризики, які можуть бути не внесені до попереджень щодо техніки безпеки цього керівництва. Ці ризики можуть виникнути як результат неправильного використання, тривалого використання, тощо.

Незважаючи на виконання всіх відповідних правил техніки безпеки та використання пристроїв безпеки, неможливо уникнути деяких залишкових ризиків. Сюди належать:

- ◆ Травми через контакт з деталями, що рухаються/обертаються.
- ◆ Травми при заміні деталей, пильних полотен або аксесуарів.
- ◆ Травми через занадто тривале використання інструменту. При використанні будь-якого інструменту протягом тривалого періоду часу не забувайте робити регулярні перерви.
- ◆ Порушення слуху.
- ◆ Небезпека для здоров'я через вдихання пилу, що утворюється при використанні інструменту (наприклад, при роботі з деревом, особливо з дубом, березою та ДВП).

### Вібрація

Значення вібрації, вказані в технічних даних та в декларації про відповідність виміряні з дотриманням стандартних методів тестування, наданих в стандарті EN 60745, та їх можна використовувати для порівняння одного інструменту з іншим. Задекларовані значення вібрації можна також використовувати для попередньої оцінки впливу вібрації.

**Попередження!** Значення вібрації під час використання інструменту може відрізнитися від задекларованого в залежності від способів використання інструменту. Рівень вібрації може перевищувати вказані значення.

При оцінці впливу вібрації для визначення заходів безпеки за вимогами 2002/44/ЕС, щоб захистити людей, що регулярно використовують інструменти в роботі, необхідно враховувати реальні умови та способи використання інструменту, включаючи врахування всіх періодів



робочого циклу, наприклад, часу, коли інструмент вимкнено та коли він знаходиться в режимі очікування, а також часу реальної роботи інструменту.

### Написи на інструменті

На інструменті є наступні символи:



**Попередження!** Щоб зменшити ризик травм, користувач повинен прочитати керівництво з експлуатації.

### Додаткові інструкції з техніки безпеки для батарей та зарядних пристроїв

#### Батареї

- ◆ Ніколи не намагайтесь відкривати батарею.
- ◆ Не занурюйте батарею у воду.
- ◆ Не зберігайте у місцях, де температура може перевищувати 40 °C.
- ◆ Заряджайте лише при температурі навколишнього середовища між 10 °C та 40 °C.
- ◆ Заряджайте лише за допомогою зарядного пристрою, що надається з інструментом.
- ◆ При викиданні батарей виконуйте інструкції, наведені в розділі „Захист навколишнього середовища“.

#### Зарядні пристрої

- ◆ Використовуйте зарядний пристрій BLACK+DECKER лише для зарядки батарей того інструменту, з яким він продавався. Інші батареї можуть вибухнути, спричинивши травми та пошкодження.
- ◆ Ніколи не намагайтесь заряджати батареї, що не підлягають зарядці.
- ◆ Негайно замінійте пошкоджений шнур живлення.
- ◆ Не піддавайте зарядний пристрій впливу води.
- ◆ Не відкривайте корпус зарядного пристрою.
- ◆ Не розбирайте зарядний пристрій.



Зарядний пристрій призначений лише для використання у приміщенні.



Прочитайте інструкції цього керівництва перед використанням.



Надійний розділовий трансформатор. Живлення від мережі змінного струму є відділене від виходу трансформатора.



Зарядний пристрій автоматично відключається, коли температура навколишнього середовища стає занадто високою. В результаті зарядний пристрій може припинити працювати. Необхідно відключити його від мережі живлення та віднести в офіційний сервісний центр для ремонту.

### Електрична безпека



Цей зарядний пристрій має подвійну ізоляцію; тому заземлення не є необхідним. Завжди перевіряйте, що джерело живлення відповідає напрузі, що вказана на таблиці з паспортними даними. Ніколи не намагайтесь замінити зарядний пристрій звичайним мережним штепселем.

- ◆ Якщо шнур живлення пошкоджений, його необхідно замінити у виробника або в офіційному сервісному центрі компанії BLACK+DECKER для уникнення небезпеки.

**Попередження!** Ніколи не намагайтесь замінити зарядний пристрій звичайним мережним штепселем.

### Деталі

Цей інструмент має деякі чи всі деталі з нижче вказаних.

1. Вимикач
2. Кнопка перемикання обертання вперед/назад
3. Тримач біт
4. Світлодіодний індикатор
5. Магнітний відсік для зберігання біт

### Мал. А

6. Зарядний пристрій
7. Штепсель зарядного пристрою
8. Конектор зарядного пристрою

### Збирання

#### Встановлення та знімання свердла або викрутки-вставки (мал. В)

Цей інструмент використовує вставки та свердла з шестиграним хвостовиком 6,35 мм (1/4").

- ◆ Щоб встановити біту, вставте її хвостовик у тримач вставки (3).
- ◆ Щоб витягнути біту, потягніть за її хвостовик та витягніть її з тримача (3).

**Примітка.** Прямокутна насадка, показана на мал. Е-І, може не входити до комплекту вашого інструменту.

## Використання

**Попередження!** Інструмент повинен працювати із рекомендованою швидкістю. Не перевантажуйте його.

- ◆ Перед першим використанням необхідно зарядити батарею на протязі щонайменше 15 годин.

### Зарядка батареї (мал. С)

- ◆ Вставте штепсель зарядного пристрою (7) у конектор (8).
- ◆ Підключіть зарядний пристрій до розетки (6).
- ◆ Залишіть інструмент підключеним до зарядного пристрою протягом щонайменше 15 годин.

Зарядний пристрій може стати теплим під час зарядки; це нормально та є показником проблеми.

**Попередження!** Використовуйте лише зарядний пристрій, що надається для зарядки пристрою CS3652LC.

**Попередження!** Не заряджайте батарею при температурі навколишнього середовища нижче 10 °C або вище 40 °C.

### Вибір напрямку обертання (мал. D)

Для свердління та затягування шурупів використовуйте обертання вперед.

Для викручування шурупів та витягування затисненого свердла використовуйте обертання у зворотному напрямку.

- ◆ Щоб обрати обертання вперед, зсуньте кнопку вперед/назад (2) вправо.
- ◆ Щоб обрати обертання у зворотному напрямку, зсуньте кнопку вперед/назад (2) вліво.
- ◆ Щоб заблокувати інструмент, пересуньте кнопку вперед/назад у центральне положення.

### Свердління/використання викрутки

- ◆ Виберіть напрямок руху вперед чи назад, використовуючи кнопку зміни напрямку обертання вперед/назад (2).
- ◆ Для ввімкнення інструменту натисніть перемикач Увімк./Вимк. (1).
- ◆ Щоб вимкнути інструмент, відпустіть перемикач Увімк./Вимк. (1).

### Світлодіодний індикатор

Світлодіодний індикатор (4) активується автоматично при натисненні на тригерний перемикач. Світлодіод також буде горіти, коли тригер натиснений та кнопка вперед/назад (2) знаходиться у положенні блокування інструменту (центральне положення).

## Примітки для оптимального використання

### Використання викрутки

- ◆ Завжди використовуйте правильний тип та розмір викрутки-вставки.
- ◆ Якщо гвинти важко затягуються, спробуйте застосувати невелику кількість миючої рідини чи мила в якості мастила.
- ◆ Використовуйте блокування шпинделя, щоб відкрити дуже сильно затягнуті шурупи.
- ◆ Завжди тримайте інструмент та викрутку-вставку по прямій лінії з гвинтом.
- ◆ При закручуванні гвинтів у дерево рекомендується зробити базовий отвір глибиною, рівною довжині гвинта. Базовий отвір буде спрямовувати гвинт та допоможе уникнути розколювання та пошкодження дерева. Інформацію щодо оптимального розміру базового отвору можна знайти в таблиці нижче.
- ◆ При закручуванні гвинтів у тверде дерево також зробіть отвір з гарантованим зазором глибиною, рівною половині довжини шурупа. Інформацію щодо оптимального розміру отвору з гарантованим зазором можна знайти в таблиці нижче.

Розмір гвинта	Базовий отвір ø (м'яке дерево)	Базовий отвір ø (тверде дерево)	Отвір з зазором
No. 6 (3,5 мм)	2,0 мм	2,5 мм	3,6 мм
No. 8 (4 мм)	2,5 мм	3,0 мм	4,5 мм
No. 10 (5 мм)	3,0 мм	3,5 мм	5,0 мм

### Свердління базових отворів

- ◆ Завжди дещо натискайте на інструмент, спрямовуючи силу по прямій лінії зі свердлом.
- ◆ Безпосередньо перед тим, як кінець свердла з'явиться з іншої сторони заготовки, зменшіть тиск на інструмент.
- ◆ Використовуйте дерев'яну планку для захисту заготовки, яка може розколотися.
- ◆ Зробіть помітку, використовуючи кернер, біля центру отвору, що буде просвердлений, щоб поліпшити точність.

### Витратні матеріали

Продуктивність роботи інструменту залежить від витратних матеріалів, які Ви використовуєте. Витратні матеріали виробництва фірм BLACK+DECKER та Piranha розроблені з дотриманням високих стандартів якості та створені для підвищення ефективності використання

вашого інструменту. Використовуючи ці матеріали, Ви отримаєте максимум ефективності від вашого інструменту. Цей інструмент використовує біти з шестиграним хвостовиком розміром 1/4" (6,35 мм). Витратні матеріали виробництва компанії Piranha Super-Lok розроблені для використання з цим інструментом.

### Технічне обслуговування

Ваш інструмент виробництва компанії BLACK+DECKER призначений для роботи протягом довгого часу з мінімальним обслуговуванням. Довга задовільна робота інструменту залежить від відповідного обслуговування інструменту та регулярного його очищення.

Ваш зарядний пристрій не вимагає технічного обслуговування, лише необхідно проводити регулярне очищення.

**Попередження!** При виконанні будь-якого обслуговування інструменту відключіть зарядний пристрій від мережі живлення перед його очищенням.

- ◆ Регулярно очищуйте вентиляційні отвори інструменту та зарядного пристрою, використовуючи м'яку щітку або суху ганчірку.
- ◆ Регулярно очищуйте корпус мотору, використовуючи вологу ганчірку. Не використовуйте абразивні очищувачі та засоби, що містять розчинники.
- ◆ Регулярно відкривайте затискний патрон та струшуйте його, щоб видалити пил з середини (якщо патрон наявний).

### Захист навколишнього середовища



Окреме збирання. Цей продукт не можна викидати разом зі звичайним побутовим сміттям.

Якщо якимось ви вирішите, що ваш виріб фірми BLACK+DECKER має бути замінено, або він вам більше не потрібний, не викидайте його на смітний побутового сміття. Зробіть цей виріб доступним для спеціального збирання.



Окремий збір використаних виробів та упаковки дозволяє повторно переробляти та використовувати матеріали. Переробка повторно використовуваних матеріалів допомагає попередити забруднення навколишнього середовища та зменшує потребу в сировині.

Місцеві законодавчі акти можуть передбачати окремий збір електричного обладнання в муніципальних місцях для збору сміття або продавцями при покупці нового обладнання.

Компанія BLACK+DECKER має можливість для збору та переробки продуктів власного виробництва після закінчення їхнього терміну служби. Щоб скористатися цією послугою, поверніть виріб компанії в офіційний сервісний центр, які збирають відпрацьовані продукти за наш рахунок.

Ви можете знайти місцезнаходження найближчого до Вас сервісного центру, зв'язавшись з місцевим офісом компанії BLACK+DECKER за адресою, вказаною в цих інструкціях. Крім того, список офіційних сервісних центрів компанії BLACK+DECKER з усіма подробицями нашого післяпродажного обслуговування та контактною інформацією міститься в Інтернеті за адресою: [www.2helpU.com](http://www.2helpU.com).

### Батареї



Всередині відсутні деталі, які користувач може обслуговувати самостійно.

- ◆ Наприкінці терміну служби батареї поверніть її агенту з обслуговування або на місцеву станцію переробки для переробки батареї. Не викидайте батарею разом із побутовим сміттям.

### Технічні дані

		CS3652LC (H1)
Напруга	В (постійний струм)	3,6
Швидкість без навантаження	хв. <sup>-1</sup>	180
Заданий крутний момент	Нм	5,84
Макс. обертаючий момент	Нм	5,5
Тримач біт	мм	6,35 (1/4")
Вага	кг	0,32

		906146** H1
Напруга	В	3,6
Тип батареї		Літій-іонна
Смність батареї (Ампер/год.)		1,5

		905450** H1
Напруга	В (змінний струм)	230
Приблизний час першої зарядки	годин	15
Вага	кг	0,14

**Рівень звукового тиску згідно з EN 60745:**

Звуковий тиск ( $L_{pA}$ ) 54 дБ(А), похибка (К) 3 дБ(А),  
Звукова потужність ( $L_{WA}$ ) 65 дБ(А), похибка (К) 3 дБ(А)

**Загальні значення вібрації (векторна сума трьох векторів) згідно з EN 60745:**

Свердління без удару ( $a_{h,rs}$ ) 0,3 м/с<sup>2</sup>, похибка (К) 1,5 м/с<sup>2</sup>

**Заява про відповідність ЄС**

ДИРЕКТИВА ДЛЯ МЕХАНІЧНОГО  
ОБЛАДНАННЯ



CS3652LC

Компанія Black & Decker заявляє, що продукти, описані в розділі „Технічні дані“ відповідають: 2006/42/ЕС, EN 60745-1, EN 60745-2-2.

Ці продукти також відповідають Директиві 2014/30/EU і 2011/65/EU. Для отримання додаткової інформації, будь ласка, зверніться до компанії Black & Decker за наступною адресою або прочитайте інформацію на зворотній стороні цього керівництва.

Нижчепідписаний несе відповідальність за упорядкування файлу технічних характеристик та робить цю заяву від компанії Black & Decker.

Р. Лаверік (R. Laverick)  
Технічний директор  
Black & Decker Europe  
210 Bath Road, Slough  
Berkshire, SL1 3YD  
Великобританія  
19.01.2015

- ◆ Продукт використовувався не за призначенням або не обслуговувався.
- ◆ Продукт зазнав механічних пошкоджень, викликаних зовнішніми предметами, речовинами або іншим впливом.
- ◆ Продукт намагалися відремонтувати особи, які не є працівниками офіційного сервісного центру або персоналом з ремонту компанії Black & Decker.

Щоб отримати гарантійне обслуговування, вам необхідно надати доказ покупки продавцеві або агенту з ремонту. Ви можете знайти місцезнаходження найближчого до Вас сервісного центру, зв'язавшись з місцевим офісом компанії Black & Decker за адресою, вказаною в цих інструкціях. Крім того, список офіційних сервісних центрів компанії Black & Decker з усіма подробицями нашого післяпродажного обслуговування та контактною інформацією міститься в Інтернеті за адресою: [www.2helpU.com](http://www.2helpU.com).

Будь ласка, відвідайте наш веб-сайт [www.blackanddecker.co.uk](http://www.blackanddecker.co.uk), щоб зареєструвати свій новий продукт BLACK+DECKER та отримувати інформацію про нові продукти та спеціальні пропозиції. Для отримання додаткової інформації про торгову марку BLACK+DECKER та наші продукти відвідайте наш сайт за адресою [www.blackanddecker.co.uk](http://www.blackanddecker.co.uk).

**Гарантія**

Компанія Black & Decker впевнена в якості своєї продукції та пропонує чудові умови гарантії. Ці гарантійні умови є додатковими та в якійсь мірі підтверджують ваші законні права. Ця гарантія є дійсною на території країн-членів Європейського Союзу та в європейській зоні вільної торгівлі.

Якщо продукт Black & Decker стає несправним через неякісні матеріали, конструкцію або невідповідність вимогам протягом 24 місяці з дня покупки, компанія Black & Decker гарантує заміну несправних деталей, ремонт продуктів, що піддалися зносу, або заміну таких продуктів для забезпечення мінімальних незручностей для споживачів, за винятком випадків, коли:

- ◆ Виріб використовувався в професійних цілях та об'ємах.

## БЛЕК ЕНД ДЕККЕР

гарантійні умови

Шановний покупцю!

1. Вітаємо Вас з покупкою високоякісного виробу компанії BLACK+DECKER та висловлюємо Вам свою вдячність за Ваш вибір.
- 1.1. Надійна робота цього виробу на протязі всього терміну експлуатації є предметом особливої турботи наших сервісних служб. У випадку виникнення будь-яких проблем в процесі експлуатації виробу ми рекомендуємо Вам звертатися лише до авторизованих сервісних організацій, адреси та телефони яких Ви зможете знайти в Гарантійному талоні або дізнатися в магазині.  
Наші сервісні центри – це не тільки кваліфікований ремонт, але і широкий вибір запчастин та аксесуарів.
- 1.2. При купівлі виробу вимагайте перевірки його комплектності та справності за Вашої присутності, наявності інструкції з експлуатації та заповненого Гарантійного талону на українській мові. За умови відсутності у Вас правильно заповненого Гарантійного талону ми будемо вимушені відхилити Ваші претензії щодо якості цього виробу.
- 1.3. Щоб уникнути всіх непорозумінь наполегливо просимо Вас перед початком роботи з виробом уважно ознайомитись з інструкцією щодо його експлуатації.
- 1.4. Звертаємо Вашу увагу на виключно побутове призначення цього виробу.
2. Правовою основою даних гарантійних умов є діюче Законодавство та, зокрема, Закон "Про захист прав споживачів".
3. Гарантійний термін на даний виріб складає 24 місяці та починається з дня продажу через роздрібну торгову мережу. У випадку усунення недоліків виробу гарантійний термін подовжується на період, протягом якого виріб не використовувався.
4. Термін служби виробу - 5 років (мінімальний, встановлений у відповідності до Закону "Про захист прав споживачів").
5. Наші гарантійні зобов'язання поширюються тільки на несправності, виявлені протягом гарантійного терміну та обумовлені виробничими та конструктивними факторами.
6. Гарантійні зобов'язання не поширюються:
  - 6.1. На несправності виробу, що виникли в результаті:
    - 6.1.1. Недотримання користувачем вказівок інструкції з експлуатації виробу.
    - 6.1.2. Механічних пошкоджень, викликаних зовнішнім ударним або іншим впливом.
    - 6.1.3. Використання виробу в професійних цілях та об'ємах, в комерційних цілях.
    - 6.1.4. Застосування виробу не за призначенням.
    - 6.1.5. Стихійного лиха.

- 6.1.6. Неприятливому атмосферному та інших зовнішніх впливах на виріб, таких як дощ, сніг, підвищена вологість, нагрів, агресивні середовища, невідповідність параметрів електромережі параметрам, вказаним на інструменті.
- 6.1.7. Використання аксесуарів, витратних матеріалів та запчастин, які не рекомендовані або не схвалені виробником.
- 6.1.8. Проникнення всередину інструменту сторонніх предметів, комах, матеріалів або речовин, що не є відходами, які супроводжують використання інструменту за призначенням, наприклад, стружки, опилки та ін.
- 6.2. На інструменти, що були відкриті, піддані ремонту або модифікації поза уповноваженим сервісним центром.
- 6.3. На приналежності, запчастини, що вийшли з ладу внаслідок нормального зносу, та витратні матеріали, такі як, приводні ремені, вугільні щітки, ножі, та ін.
- 6.4. На несправності, які виникли в результаті перевантаження інструменту, що призвело до виходу з ладу електродвигуна або інших вузлів та деталей. До безумовних ознак перевантаження виробу належать, зокрема: поява кольорів мінливості, деформація або оплавлення деталей та вузлів виробу, потемніння або обвуглювання ізоляції дротів електродвигуна під впливом високої температури.



Виробник:  
"Stanley Black & Decker Deutschland  
GmbH" Black-&-Decker Str.40, D-65510  
Idstein, Німеччина

## Kullanım amacı

BLACK+DECKER tornavidanız vida takma/sökme uygulamaları için tasarlanmıştır. Bu alet sadece hafif hizmet ve hobi kullanımı içindir.

## Güvenlik talimatları

### Genel elektrikli alet güvenlik uyarıları



**Uyarı!** Bütün güvenlik uyarılarını ve talimatlarını mutlaka okuyun. Aşağıda yer alan uyarılar ve talimatların herhangi birisine uyulmaması elektrik çarpması, yangın ve/veya ciddi yaralanma riskine neden olabilir.

**Bütün uyarı ve güvenlik talimatlarını ilerde bakmak üzere saklayın.** Aşağıda yer alan uyarılardaki «elektrikli alet» terimi şebeke elektriğiyle (kablolu) veya akü/pille (şarjlı) çalışan elektrikli aletinizi ifade etmektedir.

#### 1. Çalışma alanının güvenliği

- Çalışma alanını temiz ve aydınlık tutun.** Karışık veya karanlık alanlar kazaya davetiye çıkartır.
- Elektrikli aletleri, yanıcı sıvılar, gazlar ve tozların bulunduğu yerler gibi yanıcı ortamlarda çalıştırmayın.** Elektrikli aletler, toz veya dumanları ateşleyebilecek kıvılcımlar çıkartır.
- Bir elektrikli aleti çalıştırırken çocuklardan ve etraftaki kişilerden uzak tutun.** Dikkatinizi dağıtıcı şeyler kontrolü kaybetmenize neden olabilir.

#### 2. Elektrik güvenliği

- Elektrikli aletlerin fişleri prizlere uygun olmalıdır.** Fiş üzerinde kesinlikle hiçbir değişiklik yapmayın. Topraklı elektrikli aletlerde hiçbir adaptör fişi kullanmayın. Değiştirilmemiş fişler ve uygun prizler elektrik çarpması riskini azaltacaktır.
- Borular, radyatörler, ocaklar ve buzdolapları gibi topraklanmamış yüzeylerle vücut temasından kaçının.** Vücudunuzun topraklanması halinde yüksek bir elektrik çarpması riski vardır.
- Elektrikli aletleri yağmura maruz bırakmayın veya ıslatmayın.** Elektrikli alete su girmesi elektrik çarpması riskini arttıracaktır.
- Elektrik kablosunu uygun olmayan amaçlarla kullanmayın.** Elektrikli aleti kesinlikle kablosundan tutarak taşımayın, çekmeyin veya prizden çıkartmayın. Kabloyu sıcaktan, yağdan, keskin kenarlardan veya hareketli parçalardan uzak tutun. Hasarlı veya dolaşmış kablolar elektrik çarpması riskini artırır.
- Elektrikli bir aleti açık havada çalıştırıyorsanız, açık havada kullanıma uygun bir uzatma**

**kablosu kullanın.** Açık havada kullanıma uygun bir kablounun kullanılması elektrik çarpması riskini azaltır.

- Eğer bir elektrikli aletin nemli bir bölgede çalıştırılması zorunluysa, bir artık akım aygıtı (RCD) korumalı bir kaynak kullanın.** Bir RCD kullanılması elektrik şoku riskini azaltır.

#### 3. Kişisel güvenlik

- Elektrikli bir aleti kullanırken her zaman dikkatli olun, yaptığınız işe yoğunlaşın ve sağduyulu davranın.** Elektrikli bir aleti yorgunken veya ilaç ya da alkolün etkisi altındayken kullanmayın. Elektrikli aletleri kullanırken bir anlık dikkatsizlik ciddi kişisel yaralanmayla sonuçlanabilir.
  - Kişisel koruyucu ekipmanları mutlaka kullanın. Daima koruyucu gözlük takın.** Koşullara uygun toz maskesi, kaymayan güvenlik ayakkabıları, baret veya kulaklık gibi koruyucu donanımların kullanılması kişisel yaralanmaları azaltacaktır.
  - İstem dışı çalıştırılmasını önleyin. Aleti güç kaynağına ve/veya aküye bağlamadan, yerden kaldırmadan veya taşımadan önce tetiğin kapalı konumda olduğundan emin olun.** Aleti, parmağınız tetik üzerinde bulunacak şekilde taşımak veya açık konumdaki elektrikli aletleri elektrik şebekesine bağlamak kazaya davetiye çıkartır.
  - Elektrikli aleti açmadan önce tüm ayarlamaları anahtarlarını çıkartın.** Elektrikli aletin hareketli bir parçasına takılı kalmış bir anahtar kişisel yaralanmaya neden olabilir.
  - Ulaşmakta zorlandığınız yerlerde kullanmayın. Daima sağlam ve dengeli basın.** Bu, beklenmedik durumlarda elektrikli aletin daha iyi kontrol edilmesine olanak tanır.
  - Uygun şekilde giyinin. Bol elbiseler giymeyin ve takı takmayın. Saçınızı, elbiselerinizi ve eldivenlerinizi hareketli parçalardan uzak tutun.** Bol elbiseler ve takılar veya uzun saç hareketli parçalara takılabilir.
  - Eğer kullandığınız üründe toz emme ve toplama özellikleri olan ataşmanlar varsa bunların bağlı olduğundan ve doğru şekilde kullanıldığınından emin olun.** Bu toz toplama ataşmanların kullanılması tozla ilgili tehlikeleri azaltabilir.
- #### 4. Elektrikli aletlerin kullanımı ve bakımı
- Elektrikli aleti zorlamayın. Uygulamanız için doğru elektrikli aleti kullanın.** Doğru elektrikli alet, belirlendiği kapasite ayarında kullanıldığında daha iyi ve güvenli çalışacaktır.



- b. **Tetik açmıyor ve kapatmıyorsa elektrikli aleti kullanmayın.** Tetikle kontrol edilemeyen tüm elektrikli aletler tehlikelidir ve tamir edilmesi gerekmektedir.
- c. **Herhangi bir ayarlama, aksesuar değişimi veya elektrikli aletlerin saklanması öncesinde fişi güç kaynağından çekin ve/veya aküyü elektrikli aletten ayırın.** Bu tür önleyici güvenlik tedbirleri aletin istem dışı olarak çalıştırılması riskini azaltacaktır.
- d. **Elektrikli aleti, çocukların ulaşamayacağı yerlerde saklayın ve elektrikli aleti tanımayan veya bu talimatları bilmeyen kişilerin elektrikli aleti kullanımına izin vermeyin.** Elektrikli aletler, eğitimsiz kullanıcıların elinde tehlikelidir.
- e. **Elektrikli aletleri iyi durumda muhafaza edin. Hareketli parçalardaki hizalama hatalarını ve tutuklukları, parçalardaki kırılmalar ve elektrikli aletin çalışmasını etkileyebilecek tüm diğer koşulları kontrol edin. Hasarlı ise, elektrikli aleti kullanmadan önce tamir ettirin.** Kazaların çoğu, elektrikli aletlerin bakımının yeterli şekilde yapılmamasından kaynaklanır.
- f. **Kesim aletlerini keskin ve temiz tutun.** Bakımı uygun şekilde yapılmış keskin kesim uçlu kesim aletlerinin sıkışma ihtimali daha düşüktür ve kontrol edilmesi daha kolaydır.
- g. **Elektrikli aleti, aksesuarlarını ve aletin diğer parçalarını kullanırken bu talimatlara mutlaka uyun ve çalışma ortamının koşullarını ve yapılacak işin ne olduğunu göz önünde bulundurun.** Elektrikli aletin öngörülen işlemler dışındaki işlemler için kullanılması tehlikeli durumlara neden olabilir.
5. **Akü/pille çalışan aletin kullanımı ve bakımı**
- a. **Sadece üretici tarafından belirtilen şarj cihazı ile şarj edin.** Bir akü tipine uygun bir şarj cihazı başka tipte bir aküyü şarj etmek için kullanıldığında yangın riski yaratabilir.
- b. **Elektrikli aletleri yalnızca özel olarak tanımlanmış akülerle kullanın.** Başka bir akünün kullanılması yaralanma veya yangın riskine yol açabilir.
- c. **Akü kullanımında değilken, ataç, bozuk para, anahtar, çivi, vida veya terminaller arasında kontağa neden olabilecek diğer küçük metal nesnelere uzak tutulmalıdır.** Akü terminallerinin birbirine kısa devre yapılması yanıklara veya yangına neden olabilir.
- d. **Sıra dışı koşullarda sıvı aküden dışarı akabilir, temastan kaçının. Yanlışlıkla cilde temas edilirse su ile yıkayın. Gözle temas durumunda ayrıca doktora başvurun.** Aküden sıvı akması ciltte tahriş veya yanmaya neden olabilir.

## 6. Servis

- a. **Elektrikli aletinizi, sadece orijinal yedek parçalarını kullandığı yetkili servise tamir ettirin.** Bu, elektrikli aletin güvenliğinin muhafaza edilmesini sağlayacaktır.

## Elektrikli el aletleri için ek güvenlik talimatları



**Uyarı!** Tornavidalar ve somun sıkımlar için ek güvenlik talimatları

- ◆ **Darbeli matkap ile çalışırken kulaklık takın.** Yüksek sese maruz kalmak işitme kaybına yol açabilir.
- ◆ **Aletle birlikte verilmiş olan yardımcı tutma kollarını kullanın.** Kontrol kaybı kişisel yaralanmalara neden olabilir.
- ◆ **Bağlantı parçasının gizli kablolara temas edebileceği yerlerde çalışma yaparken elektrikli aleti yalıtımlı kavrama yüzeylerinizde tutun.** Bağlantı parçalarının «akım taşıyan» bir kabloya temas etmesi durumunda elektrikli aletin metal kısımları da «akım taşıyıcı» hale gelecek ve kullanıcının elektrik çarpmasına neden olabilir.
- ◆ **Üzerinde çalıştığınız parçayı sabitlemek ve desteklemek için kelepçeler veya başka pratik yöntemler kullanın.** Parçayı elle veya vücudunuza dayamanız dengesiz durmasına neden olacaktır ve aletin kontrolünü kaybetmenize yol açabilir.
- ◆ **Kullanım amacı bu kullanım kılavuzunda açıklanmıştır.** Herhangi bir aksesuarın veya bağlantının ya da işlemin, bu kılavuzda tavsiye edilen şekilden başka bir şekilde kullanılması şahısların yaralanmalarına ve/veya mal kaybına yol açabilir.



**Uyarı!** Darbeli tornavidalar, somun sıkma makineleri ile karıştırılmamalıdır. Bu aleti bağlantı elemanlarını belirli bir tork kuvveti ile sıkmak için kullanmayın. Gereğinden az veya fazla sıkılmış bağlantı elemanlarının bağlantı hatasına yol açabileceği durumlarda, tork anahtarları gibi bağımsız ve kalibre edilmiş bir tork ölçme cihazının kullanılması gerekir.

## Diğer kişilerin güvenliği

- ◆ **Bu alet fiziksel ve zihinsel kapasitesinin yanı sıra algılamaya gücü azalmış olan veya yeterince deneyim ve bilgisi bulunmayan kişiler (çocuklar dahil) tarafından kullanılmak üzere üretilmemiştir.** Bu tür kişiler aleti ancak güvenliklerinden sorumlu bir kişi tarafından aletin kullanımıyla

## TÜRKÇE

İlgili talimatların verilmesi veya sürekli kontrol altında tutulması durumunda kullanılabilir.

- ◆ Çocuklar, aletle oynamalarını önlemek amacıyla kontrol altında tutulmalıdır.

### Diğer tehlikeler

Aletin kullanımıyla ilgili ekte sunulan güvenlik uyarılarına dahil olmayan ilave kalıcı riskler ortaya çıkabilir. Bu riskler, hatalı, uzun süreli kullanım vb. dolayısıyla ortaya çıkabilir.

Emniyet tedbirlerini düzenleyen yönetmeliğin uygulanmasına ve emniyet sağlayıcı aygıtların kullanılmasına rağmen, başka belirli risklerden kaçınılamaz. Bunlar:

- ◆ Aletin dönen ve hareket eden parçalarına dokunma sonucu ortaya çıkan yaralanmalar.
- ◆ Herhangi bir parçayı, bıçak veya aksesuarı değiştirirken ortaya çıkan yaralanmalar.
- ◆ Aletin uzun süreli kullanılması sonucu ortaya çıkan yaralanmalar. Herhangi bir aleti uzun sürelerle kullanacaksanız düzenli olarak çalışmanıza ara verin.
- ◆ Duyuma bozukluğu.
- ◆ Aleti kullanırken ortaya çıkan tozun solunması sonucu ortaya çıkan sağlık sorunları (örnek: ahşapta çalışırken, özellikle meşe, akgürgen ve MDF).

### Titreşim

Teknik veriler ve uygunluk beyanatı içerisinde belirtilen titreşim emisyon değerleri EN60745 tarafından belirlenen standart bir test yöntemine uygun olarak ölçülmektedir ve diğer bir aletle karşılaştırma yaparken kullanılabilir. Beyan edilen titreşim emisyon değeri aynı zamanda maruz kalmanın önceden değerlendirilmesinde de kullanılabilir.

**Uyarı!** Elektrikli aletin mevcut kullanımı sırasındaki titreşim emisyon değeri, aletin kullanım yöntemine bağlı olarak, beyan edilen değere göre farklılık sergileyebilir. Titreşim düzeyi belirlenen seviyenin üzerinde artış gösterebilir.

İşyerinde düzenli olarak elektrikli alet kullanan çalışanları korumak amacıyla 2002/44/EC tarafından getirilen elektrik güvenliği önlemlerini belirlemek üzere titreşime maruz kalmayı değerlendirirken, çalışma döngüsü içerisinde örneğin aletin kapalı olduğu ve aktif durumda olmasının yanı sıra boşta çalıştığı zamanlar gibi, bütün zaman dilimleri dahil olmak üzere mevcut kullanım durumu ve aletin kullanım şekli göz önünde bulundurularak değerlendirilmelidir.

### Alet üzerindeki etiketler

Alet üzerinde, aşağıdaki uyarı sembolleri bulunmaktadır:



**Uyarı!** Yaralanma riskini en aza indirmek için kullanıcı kullanım talimatlarını mutlaka okumalıdır.

### Şarj cihazları ve aküler için ek güvenlik talimatları

#### Aküler

- ◆ Kesinlikle, hiçbir nedenle açmaya çalışmayın.
- ◆ Aküyü suya batırmayın.
- ◆ Sıcaklığın 40 °C'yi aşabileceği yerlerde saklamayın.
- ◆ Sadece 10 °C ila 40 °C arasındaki ortam sıcaklıklarında şarj edin.
- ◆ Sadece aletle birlikte verilen şarj cihazını kullanarak şarj edin.
- ◆ Aküleri atarken, «Çevrenin korunması» başlıklı bölümdeki talimatlara uyun.

#### Şarj cihazları

- ◆ BLACK+DECKER şarj cihazınızı, yalnızca aletle birlikte verilen aküyü şarj etmek için kullanın. Diğer aküler patlayarak yaralanmanıza veya hasar meydana gelmesine yol açabilir.
- ◆ Şarj edilme özelliği olmayan aküleri kesinlikle şarj etmeye çalışmayın.
- ◆ Hasarlı kabloların hemen değiştirilmesini sağlayın.
- ◆ Şarj cihazını suya batırmayın.
- ◆ Şarj cihazını açmayın.
- ◆ Şarj cihazını delmeyin.



Şarj cihazı, yalnızca kapalı alanda kullanım içindir.



Aletle çalışmaya başlamadan önce bu kılavuzu okuyun.



Arıza güvenli bir şekilde ayarlanmalıdır. Şebeke elektrik çıkışı elektrikli olarak şarj cihazından ayrılmalıdır.



Çevre ısısı çok yükselir ise şarj cihazı otomatik olarak kapanır. Bunun sonucunda şarj cihazı işletim dışı kalacaktır. Cihazın fişi prizden çekilmeli ve onarım için bir yetkili servise götürülmelidir.

## Elektrik güvenliği



Şarj cihazınız çift yalıtımlıdır; Bu yüzden hiçbir topraklama kablosuna gerek yoktur. Her zaman şebeke geriliminin aletin üretim etiketinde belirlenmiş değerlere uyup uymadığını kontrol edin. Şarj cihazını kesinlikle normal bir elektrik fişi ile değiştirmeye kalkışmayın.

- ◆ Elektrik kablosu hasarlı ise, bir tehlike oluşmasını önlemek için üretici ya da yetkili BLACK+DECKER Servis Merkezi tarafından değiştirilmelidir.

**Uyarı!** Şarj cihazını kesinlikle normal bir elektrik fişi ile değiştirmeye kalkışmayın.

## Özellikler

bu alet, aşağıdaki özelliklerin bir kısmını veya tümünü içermektedir.

1. Açma/kapama tetiği
2. İleri/geri sürgüsü.
3. Uç tutucu
4. LED aydınlatma
5. Manyetik uç yuvası

## Şekil A

6. Şarj cihazı
7. Şarj cihazı fişi
8. Şarj cihazı bağlantısı

## Montaj

### Matkap veya tornavida ucunu takmak ve çıkartmak (Şekil B)

Bu alette, 6,35 mm (1/4") altıgen gövdeli tornavida ve matkap uçları kullanılmaktadır.

- ◆ Bir ucu takmak için ucu, uç tutucuya (3) sokun.
- ◆ Bir ucu çıkartmak için ucu, uç tutucudan (3) çekin.

**Not:** Şekil E-J'de gösterilen dik açılı ataşman alet ile birlikte verilmeyebilir.

## Kullanımı

**Uyarı!** Aletin kendi hızında çalışmasına izin verin. Aşırı yüklenmeyin.

- ◆ İlk kullanımdan önce akünün en az 15 saat şarj edilmesi gerekmektedir.

### Akünün şarj edilmesi (Şekil C)

- ◆ Şarj cihazı fişini (7) şarj cihazı bağlantısına (8) takın.
- ◆ Şarj cihazını (6) prize takın.
- ◆ Aleti 15 saat süreyle şarj cihazına bağlı bırakın. Şarj sırasında şarj cihazı ısınabilir ve hum; bu normal bir durumdur ve bir sorun olduğuna işaret etmez.

**Uyarı!** CS3652LC şarj etmek için sadece aletle verilen şarj cihazını kullanın.

**Uyarı!** Ortam sıcaklığı 10 °C'den düşük veya 40 °C'den yüksekse aküyü şarj etmeyin.

### Dönme yönünün seçilmesi (Şekil D)

Delik açma ve vida sıkma uygulamaları için ileri dönmeyi kullanın. Vidaları gevşetmek veya sıkışmış bir matkap ucunu çıkartmak için geri dönmeyi kullanın.

- ◆ İleri dönmeyi seçmek için ileri/geri sürgüsünü (2) sağa itin.
- ◆ Geri dönmeyi seçmek için ileri/geri sürgüsünü (2) sola itin.
- ◆ Aleti kilitlemek için ileri/geri sürgüsünü orta konuma getirin.

### Delme/vida takma ve sökme

- ◆ İleri geri sürgüsünü (2) kullanarak ileri veya geri yönde dönme fonksiyonunu seçin.
- ◆ Aleti açmak için, açma/kapama tetiğine (1) basın.
- ◆ Aleti kapatmak için açma/kapama tetiğini (1) bırakın.

### LED aydınlatma

Tetiğe basıldığında LED aydınlatma (4) otomatik olarak yanar. LED aydınlatma ayrıca ileri/geri sürgüsü (2) kilitli olduğunda (orta konumda) ve açma/kapama tetiğine basıldığında yanar.

### En uygun kullanım için yararlı tavsiyeler

#### Vida takma ve sökme

- ◆ Daima doğru tipte ve boyutta tornavida ucu takın.
- ◆ Vidaları sıkmakta zorlanıyorsanız, yağlayıcı olarak az miktarda deterjan veya sabun kullanmayı deneyin.
- ◆ Mil kilidini fazla sıkılmış vidaları sökmek veya vidaları sıkıca vidalamak için kullanın.
- ◆ Aleti ve tornavida ucunu daima vidaya dik bir çizgide tutun.
- ◆ Ahşapta vidalama yaparken, vidanın uzunluğu ile eş derinlikte kılavuz delik açılması tavsiye edilir. Kılavuz delik vidanın sürülmesini kolaylaştırır ve ahşabın çatlamasını önler. En uygun kılavuz delik ölçüsü için aşağıdaki tabloya bakın.
- ◆ Sert ahşapta vidalama yaparken, ayrıca vidanın uzunluğunun yarısı kadar tasfiye deliği açılması tavsiye edilir. Tasfiye deliği vidanın sürülmesini kolaylaştırır ve ahşabın çatlamasını önler.

## TÜRKÇE

Vida ebadı	Kılavuz delik çapı (yumuşak ahşap)	Kılavuz delik çapı (sert ahşap)	Tasfiye deliği çapı
No. 6 (3,5 mm)	2,0 mm	2,5 mm	3,6 mm
No. 8 (4 mm)	2,5 mm	3,0 mm	4,5 mm
No. 10 (5 mm)	3,0 mm	3,5 mm	5,0 mm

### Kılavuz delik açılması

- ◆ Daima matkap ucuna düz bir çizgide hafif bir baskı uygulayın.
- ◆ Matkap ucu, üzerinde çalıştığınız parçanın öbür yüzünden çıkmadan hemen önce alet üzerindeki baskıyı azaltın.
- ◆ Parçalanabilecek parçaları desteklemek için ağaç bir takoz kullanın.
- ◆ Doğruluğu geliştirmek için, delinecek deliğin ortasına bir merkez zımbası ile çentik atın.

### Aksesuarlar

Aletinizin performansı kullanılan aksesuara bağlıdır. BLACK+DECKER ve Piranha aksesuarları, yüksek kalite standartlarına göre üretilmiş ve aletinizin performansını arttıracak şekilde tasarlanmıştır. Bu aksesuarları kullanarak, aletinizden en iyi verimi alacaksınız.

Bu alette, 1/4" (6,35 mm) altıgen gövdeli tornavida uçları kullanılmaktadır. Super-lok aksesuarları bu aletle kullanılmak üzere tasarlanmıştır.

### Bakım

BLACK+DECKER aletiniz minimum bakımla uzun bir süre çalışacak şekilde tasarlanmıştır. Kesintisiz olarak memnuniyet verici bir şekilde çalışması gerekli özenin gösterilmesine ve düzenli temizliğe bağlıdır.

Şarj cihazınız, düzenli temizlik dışında herhangi bir bakım gerektirmemektedir.

**Uyarı!** Alet üzerinde herhangi bir bakım veya temizlik işlemi gerçekleştirmeden önce şarj cihazınızı prizden çekin.

- ◆ Aletinizdeki ve şarj cihazındaki havalandırma deliklerini yumuşak bir fırça veya kuru bir bezle düzenli olarak temizleyin.
- ◆ Motor muhafazasını düzenli olarak nemli bir bezle silin. Aşındırıcı veya çözücü bazlı temizleyiciler kullanmayın.
- ◆ Uç tutucuyu düzenli olarak tamamen açın ve içindeki tozu dökmek için hafifçe vurun.

### Çevrenin korunması



Ayrı olarak atın. Bu ürün, normal evsel atıklarla birlikte atılmamalıdır.

BLACK+DECKER ürününüzün değiştirilmesi gerektiğini düşünmeniz veya artık kullanılamaz durumda olması halinde onu, evsel atıklarla birlikte atmayın. Bu ürünü, ayrı olarak toplanacak şekilde atın.



Kullanılmış ürünlerin ve ambalajların ayrı olarak toplanması bu maddelerin geri dönüşüme sokularak yeniden kullanılmasına olanak tanır. Geri dönüşümlü maddelerin tekrar kullanılması çevre kirliliğinin önlenmesine yardımcı olur ve ham madde ihtiyacını azaltır.

Yerel yönetmelikler, elektrikli ürünlerin evlerden toplanıp belediye atık tesislerine aktarılması veya yeni bir ürün satın alırken perakende satıcı tarafından toplanması yönünde hükümler içerebilir.

BLACK+DECKER, hizmet ömrünün sonuna ulaşan BLACK+DECKER ürünlerinin toplanması ve geri dönüşüme sokulması için bir imkan sunmaktadır. Bu hizmetin avantajlarından faydalanmak için, lütfen, ürününüzü bizim adımıza teslim alacak herhangi bir yetkili servise iade edin.

Bu kılavuzda belirtilen listeden size en yakın BLACK+DECKER yetkili tamir servisinin yerini öğrenebilirsiniz. Ya da, alternatif olarak internet'ten BLACK+DECKER yetkili tamir servislerinin listesini ve satış sonrası hizmetlerimizle ilgili tüm bilgiler ve temas bilgilerine aşağıdaki siteden ulaşabilirsiniz. [www.2helpU.com](http://www.2helpU.com).

### Aküler



Aletin içinde bakımı kullanıcı tarafından yapılabilecek herhangi bir parça yoktur.

- ◆ Ürünlerinizin hizmet ömürlerinin sonunda aküyü geri dönüşüme sokmak için bütün aleti yetkili servise veya yerel toplama merkezine teslim edin. Bu ürün, evsel atıklarla birlikte atılmamalıdır.

**Teknik özellikleri**

		CS3652LC (H1)
Voltaj	$V_{DC}$	3,6
Yüksüz hızı	dev/dak.	220
Tork (sert birleşim)	Nm	5,84
Maks. tork	Nm	5,5
Uç tutucu	mm	6,35 (1/4")
Ağırlık	kg	0,32

		906146** H1
Voltaj	V	3,6
Akü tipi	Li-Ion	
Kapasite AH		1,5

		905450** H1
Voltaj	$V_{AC}$	230
Yaklaşık şarj süresi	saat	15
Ağırlık	kg	0,14

**EN 60745'e göre ses basıncı düzeyi:**

Ses basıncı ( $L_{pA}$ ) 54 dB(A), belirsizlik (K) 3 dB(A),  
Akustik güç ( $L_{WA}$ ) 65 dB(A), belirsizlik (K) 3 dB(A)

**EN 60745'e göre tespit edilen toplam titreşim değerleri (üç yönün vektör toplamı):**

Darbesiz vidalama ( $a_{h,IS}$ ) 0,3 m/s<sup>2</sup>, belirsizlik (K) 1,5 m/s<sup>2</sup>

**AT Uygunluk Beyanatı**  
MAKİNE DİREKTİFİ

CS3652LC

Black & Decker, «teknik özellikleri» bölümünde açıklanan bu ürünlerin aşağıda belirtilen yönergelere uygun olduğunu beyan eder: 2006/42/EC, EN 60745-1, EN 60745-2-2.

Bu ürünler ayrıca 2014/30/EU ve 2011/65/EU Direktiflerine de uygundur. Daha fazla bilgi için, lütfen aşağıdaki adresten Black & Decker ile irtibata geçin veya kılavuzun arkasına bakın.

Bu belge altında imzası bulunan yetkili, teknik dosyanın derlenmesinden sorumludur ve bu beyanı Black & Decker adına vermiştir.

R. Laverick  
Mühendislik Bölümü Müdürü  
Black & Decker Europe  
210 Bath Road, Slough  
Berkshire, SL1 3YD  
İngiltere  
19.01.2015

**Garanti**

Black & Decker, ürünün kalitesinden emindir ve bu yüzden kanunlarda belirtilen taleplerin üstünde bir garanti verir. Ayrıca bu garanti hiçbir şekilde garanti ile ilgili kanuni haklarınızı ihlal etmez ve haklarınızı hiç bir şekilde kısıtlamaz. İşbu garanti Avrupa Birliği'ne üye ülkeler ile Avrupa Serbest Ticaret Bölgesi sınırları dahilinde geçerlidir.

Eğer bir Black & Decker ürünü, satın alma tarihinden itibaren 24 ay içinde hatalı malzeme, işçilik ya da uygunsuzluk nedeniyle bozulursa, müşteriye mümkün olabilecek en az sorunu yaşatarak Black & Decker hatalı kısımları değiştirmeyi, adil bir şekilde aşınmış ve yıpranmış ürünleri tamir etmeyi veya değiştirmeyi garanti eder. Ancak bu belirtilenler şu durumlarda dışında geçerlidir:

- ◆ Ürün ticari veya profesyonel amaçlarla kullanılmışsa veya kiraya verilmişse.
- ◆ Ürün yanlış veya amaç dışı kullanılmışsa.
- ◆ Ürün yabancı nesnelere, maddelere veya kaza sırasında zarar görmüşse.
- ◆ Yetkili tamir servisleri veya Black & Decker servis ekibinden başkası tarafından tamir edilmeye çalışılmışsa.

Garanti talebinde bulunmak için, satıcıya veya yetkili tamir servisine satın aldığınıza dair ispat sunmalısınız. Fatura ve garanti kartı gerekmektedir. Bu kılavuzda belirtilen listeden size en yakın BLACK+DECKER yetkili tamir servisinin yerini öğrenebilirsiniz. Ya da, alternatif olarak internet'ten BLACK+DECKER yetkili tamir servislerinin listesini ve satış sonrası hizmetlerimizle ilgili tüm bilgiler ve temas bilgilerine aşağıdaki siteden ulaşabilirsiniz. [www.2helpU.com](http://www.2helpU.com).

Sanayi ve Ticaret Bakanlığı tebliğince kullanım ömrü 7 yıldır.

**Türkiye Distribütörü**

KALE HIRDAVAT VE MAKİNA A.Ş.  
Defterdar Mah. Savaklar Cad. No. 18  
34050 Edirnekapı Eyüp İstanbul  
Tel: (0212) 533 52 55 (Pbx)  
Faks: (0212) 533 10 05  
E-posta: [info@kalemakina.com](mailto:info@kalemakina.com)

# TÜRKÇE

Şehir	Yetkili Servis	Adres	Telefon
1 Adana	Emin Elektrik Bobinaj	Kızılay Cad. 9 Sok. No: 9/D	0322 351 80 46
2 Afyon	Emek Motor	Karaman Mah. Gazlı Göl Cad. No: 15	0272 212 11 14
3 Ağr	Tamgüç Bobinaj	Kağızman Cad. No: 42	0472 215 70 41
4 Amasya	Akotelek Ticaret	Yeniöl Cad. No: 85	0358 218 71 19
5 Ankara	Orhan Bobinaj	Yalınç Sok. No: 17 Sitelet	0312 350 95 29
6 Ankara	Orhan Bobinaj Şube	41. Sok. No: 39 Ostim	0312 385 92 92
7 Ankara	Yığıt Bobinaj	668. Sok. No: 8 Eminel Koop. İvedik Ostim	0312 395 05 37
8 Ankara	Başak Elektrik	Ahievran Cad. 36. sok. No: 2 Ostim	0312 386 20 84
9 Antalya	E.Ş.A Elektrik	San. Sit. 682. Sok No: 38	0242 345 36 22
10 Antalya	Yaşar Bobinaj	Aşağı Pazarcı Mah. San. Girişi No: 19 Manavgat	0242 742 47 07
11 Antalya	Uslu Bobinaj	G. Pınarı Mah. Oba Yolu Üzeri no: 27/C Alanya	0242 511 57 01
12 Aydın	Tacıroğlu Kaya Bobinaj	1.San. Sit. Üst San. Cad. 2. Sok. No: 31/A	0256 212 70 48
13 Aydın	Saydam Motor	Küçük San. Sit. Çubukçu Sok. No: 2/B Söke	0266 512 81 91
14 Aydın	Özgür Bobinaj	Kuşadası San. Sit. j Blok no:13 Kuşadası	0266 622 1373
15 Aydın	Ege Bobinaj	Yeni Mah Atatürk Bul. No:206/E Didim	0266 811 05 95
16 Balıkesir	Tezger Bobinaj	Yeni San. Sit. Cumhuriyet Cad. 198/A	0266 246 23 01
17 Balıkesir	Küre Bobinaj	Atatürk Cad. No: 104 Bandırma	0266 718 46 79
18 Batman	Topız Bobinaj	Cumhuriyet Cad. 1512 Sok. No: 50	0488 214 87 70
19 Bolu	Kilitçi Ticaret	Aşağı Soku San. Sit. 37.Blok No:16	0374 215 43 64
20 Bursa	Vokart Ltd. Şti.	Gazlılar Cad. Erikli Bahçe Sok. No: 7/B	0224 254 48 75
21 Çanakkale	Kısacık Bobinaj	Namık Kemal Mah. Kaynak Sok. No: 41	0286 217 96 71
22 Çanakkale	Ovalı Bobinaj	Hamdiyeh Mah. İstiklal Cad. No: 160 Biga	0286 316 49 66
23 Çorum	Emek Bobinaj	Küçük San. Sit. 23. Cad No: 5/C	0364 234 68 84
24 Denizli	Örsler Bobinaj	Sedef Çarşısı 9/10	0258 261 42 74
25 Diyarbakır	Çetsan Elektrik	San. Sit. Karakol Sok. No: 1	0412 237 29 04
26 Düzce	Yıldız Makina	Burhaniye Mah. Gen. Kazım Sok. No: 10	0380 514 70 56
27 Edirne	Efe Bobinaj	Küçük San. Sit. 22. Blok	0284 225 35 73
28 Edirne	Demir Bobinaj	San. Sit. 7. Blok No: 3 Keşan	0284 714 38 26
29 Elazığ	Kalender Elektrik Bobinaj	San. Sit. 11. Sok No: 46	0424 224 85 01
30 Erzurum	Ümit Elektrik Makina	San. Çarşısı 770 Sok. No: 71	0446 224 08 01
31 Erzurum	Bursan Bobinaj	San. Sit. 5. Blok No: 135	0442 242 77 28
32 Eskişehir	Escorm Elektronik	Kırmızı Toprak Mah. Ali Fuat Güven Cad. No 31/A	0222 224 15 30
33 Gaziantep	Eser Bobinaj	K.S.S.A Blok 11. Cad.25. Ada No: 55 Ş.Kamili	0342 235 50 84
34 Gaziantep	Karaahin Bobinaj	İsmet Paşa Mah. Şenyurt Cad. No: 35	0342 231 17 33
35 Hatay	Öz Kardeş Bobinaj	Yeni San. Sit. 38/A Blok No: 34	0326 221 22 91
36 Isparta	Izmir Bobinaj	Yeni San. Sit. 6 Blok No: 28	0246 223 70 11
37 İstanbul	Akel El. Servis Hizmetleri	Nato Yolu Caddesi Özgün Sok. No: 1 Y.Dudullu	0216 540 53 55
38 İstanbul	Birik Elektromekanik	Perpa Tic. Mer. B Blok Mavi Avlu Kat.4 No: 318 Okmeydanı	0212 222 94 18
39 İstanbul	Fırat Dış Ticaret	Tersane Cad. Kuthan No: 38 Kat 3 Karaköy	0212 252 93 43
40 İstanbul	Kardeşler Bobinaj	Çağlayan Mah. Sinanpaşa Cad.No: 5 Çağlayan	0212 224 97 54
41 İstanbul	Mert Elektrik	İkitemli Org. Demirciler San. Sit. D-2 Blok No: 280 İkitemli	0212 549 65 78
42 İstanbul	Sys Teknik	İstasyon Cad. Gibtaş San. Sit. F Blok No: 24 Tuzla	0216 446 69 39
43 İstanbul	Tank Makina	Bağdat Cad. Adalı Sok. No: 8 Maltepe	0216 441 05 59
44 İstanbul	Tekniker Bobinaj	Birik San. Sit. 1. Cad. K.Dükkanlar No: 15 Beylikdüzü	0212 875 17 78
45 İstanbul	Orjinal Elektrik	Bağlar Mah. Mimar Sinan Cad. No:24 Güneşli	0212 515 67 71
46 İzmir	Birik Bobinaj	2824 Sok. No: 18/1. San. Sit. Halkapınar	0232 458 39 42
47 İzmir	Boro Civata	1203/2 Sok. No: 21-B Yenışehir	0232 469 80 70
48 İzmir	Cüneyt Bobinaj	Cüneyt Bey Mah. İbrahim Turan Cad. No 98/A Menderes	0232 782 10 84
49 İzmir	Doruk Hirdavat	1426 Sok. No: 14 Hurdacılar Sitesi Doğanlar Bornova	0232 478 14 12
50 Karaman	Özüm Elektrik Bobinaj	Yeni San. Sit. 735. Sok. No: 2	0338 212 32 69
51 Kastamonu	Teknik Bobinaj	İnönü Mah. Inebolu Cad. No: 132	0366 212 62 26
52 Kayseri	Akın Elektrik Bobinaj	Eski San. Bölgesi 5. Cad. No: 8	0352 336 41 23
53 Kırklareli	Tank Elektronik	K.İbrahim Mah. M.Kemal Bulvarı No: 72/C	0288 214 19 72
54 Kırklareli	Yalçın Bobinaj	Yeni San. Sit. C3 Blok No:55 Lüleburgaz	0288 412 41 97
55 Kocaeli	Efe Elektrik Bobinaj	Körfez San. Sit. 12. Blok No: 13	0262 335 18 94
56 Kocaeli	Gülsoy Bobinaj	S.Orhan Mah. İlyasbey Cad.1111 Sk No: 5/1 Gebze	0262 646 92 49
57 Kocaeli	Teknik Karot	Gaziler Mah. İbrahimaga Cad. No:125 Gebze	0262 642 79 10
58 Konya	Meb. Murat Elk. Bobinaj	Karatay San. Sit. Fatih Mah. Çiçekli Sok. No: 10	0332 235 64 63
59 Konya	Sözener Bobinaj	Fevzi Çakmak Mah. Komsan İş Merkezi Anamur 10562 Sok.No:8	0332 342 63 18
60 Kütahya	Doğan Bobinaj	Yeni San. Sit. 19. Sok: 28/1	0274 231 22 00
61 Malatya	Özer Bobinaj	Yeni San. Sit. 2. Cad. No: 95	0422 336 39 53
62 Manisa	Çavuş Bobinaj	Kurtuluş Mah. Fatih Cad. No: 44/A Soma	0236 614 13 78
63 Manisa	Üslu Bobinaj Ve Makina	Güzelyurt Mah. Kenan Evren San. Sit. 5309 Sok. No: 63/A	0236 236 33 86
64 Mersin	Şekerler Elektrik Bobinaj	Nusratiye Mah. 5005 Sok. No: 20/A	0324 336 70 98
65 Mersin	Üniversal Bobinaj	Nusratiye Mah. Çiftçiler Cad.68 Sok. No: 19	0324 233 44 29
66 Muğla	Bodrum Makina	Türkkuyusu Mah.San. Sit. Ethem Demiroz Sok. No: 8 Bodrum	0252 316 28 51
67 Muğla	General Elektrik Bobinaj	Taşyaka Mah. San. Sit. 260. Sok. No: 18 Fethiye	0252 612 38 34
68 Muğla	Başaran Teknik	Beldibi Cad. Sanayi Girişi No: 5/C Marmaris	0252 419 20 29
69 Muğla	Öztürk Bobinaj	Atakent Mah. Çevreyolu Üzeri Dalaman	0252 697 64 98
70 Nevşehir	Çiftçü Soğutma	Yeni San. Sit. 8. Blok No: 28	0384 213 19 96
71 Niğde	Emek Motor	Eski San. Çarşısı 1.Blok No: 2	0388 232 83 59
72 Sakarya	Enğin Elektrik Bobinaj	Maltepe Mah. Orhan Gazi Cad. Şehit Metin Akkuş Sok. No: 19	0264 291 05 67
73 Samsun	Akış Bobinaj	Ulus Cad.San. Sit. Keresteciler Kısmı No: 40	0362 238 07 23
74 Sivas	Bayraktar Elektrik	Yeni Çarşı No: 72/C	0346 221 47 55
75 Şanlıurfa	Ay Elektrik	Samsat Kapı Aşağıroğlu Garajı No: 19	0414 215 74 76
76 Tekirdağ	Birkan Teknik	Şeyhinsin Mah. Ş.Pilot I. Aksoy Sok. Aksoy Psj. No: 20/7-B ÇORLU	0282 654 50 91
77 Tekirdağ	Çetin Elektrik Bobinaj	100.Yıl San. Sit. 14B Blk. No: 10	0282 263 86 60
78 Tokat	Çetin Elektrik Bobinaj	San. Sit. Camii Altı No: 22	0356 214 63 07
79 Trabzon	Akay Bobinaj Makina	Yaylaçık Mah. Tosun San Sit No: 3 Akçaabat	0462 227 54 26
80 Trabzon	Makina Market	Rize Cad. No: 71 Değirmendere	0462 328 14 80
81 Uşak	Zengin Bobinaj	İsilece Mah. Ürem Sok. No: 10/C	0276 227 27 46
82 Van	Özen Elektrik Bobinaj	Alçeket Pasajı No: 41	0432 214 22 20
83 Yalova	Deniz El. Ser. Hizmetleri	Hürriyet Mah. Eski Bursa Cad. No: 39 Altınova	0226 461 22 43
84 Zonguldak	Genel Elektromotor	Çınarpete Mah.T.T.K 69 Ambarları 4. Kısım	0372 268 08 64
85 Zonguldak	Tümen Makina	Kışla Sanayi Sit. D Blok No: 17 Kdz.Ereğli	0372 323 74 97

KALE HIRDAVAT VE MAKİNA A.Ş. SERVİS MÜDÜRLÜĞÜ TEL. 0212 533 98 34



## BLACK & DECKER JÓTÁLLÁSI JEGY ÉS JÓTÁLLÁSI FELTÉTELEK

Gratulálunk Önnek ennek az értékes Black & Decker készülék megvásárlásához.

Azon termékeinkre, amelyet fogyasztói szerződés keretében háztartási, hobby célra vásárolnak **24 hónap jótállást vállalunk**.

### A termék iparszerű használatra nem alkalmas!

A jótállás a fogyasztó jogszabályból eredő jogait nem érinti.

- 1) A Stanley Black & Decker Hungary Kft. a jótállás, kellek- és termékszavatosság keretében végzett javításokat vagy a termék kicserélését 19/2014. (IV.29.) NGM rendelet és a 151/2003. (IX.22.) Kormányrendelet szerint végzi a jótállási idő, illetve a kellek- és termékszavatossági jogok érvényesíthetőégének teljes időtartama alatt.
  - a) A fogyasztó jótállási igényét a jótállási jeggyel érvényesítheti, ezért kérjük azt őrizze meg.
  - b) Vásárláskor a forgalmazónak (kereskedőnek) a jótállási jegyben fel kell tüntetnie a fogyasztási cikk azonosításra alkalmas megnevezését, típusát, gyártási számát, továbbá – amennyiben van ilyen – azonosításra alkalmas részeinek meghatározását, illetve a fogyasztó részére történő átadásának időpontját. A jótállási jegyet a forgalmazó (kereskedő) nevében eljáró személynek alá kell írnia és a kereskedés azonosítására alkalmas tartalmú (minimum cégnev, üzlet címe) bélyegzővel olvashatóan le kell bélyegezni. Kérjük, kísérfje figyelemmel a jótállási jegy megfelelő érvényesítését, mivel a kijelölt szervizeknél a jótállási igény csak érvényes jótállási jeggyel érvényesíthető. Amennyiben a jótállási jegy szabálytalanul került kiállításra, jótállási igényével kérjük forduljon a termékhez az Ön részére értékesítő partnerünkhöz (kereskedőhöz). A jótállási jegy szabálytalan kiállításra vagy a fogyasztó rendelkezésére bocsátás elmaradása nem érinti a jótállási érvényességét. Kérjük, hogy a jótállási jegyben kívül a nyugtát vagy számlát is szíveskedjen megőrizni a gyorsabb és hatékonyabb ügyintézés érdekében, mert a szerződés megkötése az ellenérték megfizetését igazoló bizonylattal is bizonyítható.
  - c) Elvesztett jótállási jegyet csak a fogyasztói szerződés létrejöttét igazoló nyugta vagy számla ellenében tudunk pótolni!
- 2) **Nem terjed ki a jótállás:**
  - a) amennyiben a hiba oka rendeltetésellenes, illetve a mellékelt magyar nyelvű használati kezelési útmutatóban foglaltaktól eltérő használat, átalakítás, szakszerűtlen kezelés, helytelen tárolás, elemi kár vagy egyéb a vásárlás után a fogyasztó érdekkörében keletkezett ok miatt következik be;
  - b) amennyiben a terméket iparszerű (professzionális) célokra használták, kölcsönzési szolgáltatás nyújtásához használták fel (nem fogyasztói szerződés);
  - c) azon alkatrészekre, amelyek esetében a meghibásodás a jótállási időn belüli rendeltetéseszerű használat mellett az alkatrészek természetes elhasználódása, kopása miatt következett be (így különösen: fűrészlánc, fűrészlap, gyalukés, meghatószij, csapágyak, szénkefe, csillagkerék);
  - d) a készülék túlterhelése miatt jelentkező hibákra, amelyek a hajtómű meghibásodásához, vagy egyéb ebből adódó károkhöz vezetnek;
  - e) a termék nem hivatalos szervizben történt javításából eredő hibákra;
  - f) az olyan károsodásokra, amelyek nem eredeti Black & Decker kiegészítő készülékek és tartozékok használatából adódnak amennyiben a szakszerviz bizonyítja, hogy a hiba a fenti okok valamelyikére vezethető vissza.
- 3) A fogyasztó a kijavítás vagy csere iránti igényét a jótállási időn belül a kereskedőnél, illetve kijavítás iránti igényét a jótállási jegyben feltüntetett javítószolgálatnál is érvényesítheti.

Termékszavatossági igényét kérjük a jótállási jegyben feltüntetett gyártónak vagy forgalmazónak szíveskedjen bejelenteni.

- a) Nem számít bele a jótállási időbe a kijavítási időnek az a része, amely alatt a fogyasztó a terméket nem tudta rendeltetéseszerűen használni.
  - b) A terméknek a kicseréléssel vagy kijavítással érintett részére a jótállási idő újból kezdődik.
  - c) Ha a fogyasztási cikk a vásárlástól (üzembe helyezéstől) számított három munkanapon belül meghibásodik, a fogyasztó ezen időtartamon belül kérheti annak kicserélését feltéve, hogy a meghibásodás a rendeltetéseszerű használatot akadályozza. A hiba fennállásának, vagy a rendeltetéseszerű használatot akadályozó mérték megállapításához a kereskedő kérheti a szakszerviz közreműködését.
  - d) Amennyiben a jótállási igény bejelentését követően a kereskedő az igény teljesíthetőségéről azonnal nem tud nyilatkozni, úgy öt munkanapon belül kell értesítenie a fogyasztót az álláspontról.
  - e) Ha a kijavítás vagy a csere nem lehetséges, a fogyasztó választása szerint műszakilag és értékben hasonló készülék kerül felajánlásra, vagy a vételár arányos leszállításra kerül sor, avagy visszafizetésre kerül a vételár.
  - f) A termék hibája miatt a fogyasztó a forgalmazótól is követelheti a hiba kijavítását vagy a termék kicserélését a forgalomba hozataltól számított két év elteltéig (termékszavatosság).
- 4) A jótállás alapján történő javítás során a forgalmazónak, illetve a javítószolgálatnak (kereskedőnek) törekednie kell arra, hogy a kijavítást legfeljebb 15 napon belül megfelelő minőségben elvégezze, elvégeztesse.

A jótállás keretében tartozó kijavítás vagy csere esetén a forgalmazó, illetve a javítószolgálat a jótállási jegyben köteles feltüntetni:

- a kijavítás iránti igény bejelentésének és a kijavításra történő átvétel időpontját;
- a hiba okát és a kijavítás módját;
- a termékfogyasztó részére történő visszaadásának időpontját;
- a kicserélés tényét és időpontját.

### A termék meghibásodása esetén a fogyasztót az alábbi jogok illetik meg:

Elsősorban - választása szerint - kijavítást vagy kicserélést követelhet. A csereigény akkor megalapozott, ha a termék a fogyasztónak okozott jelentős kényelmetlenség nélkül, megfelelő minőségben és ésszerű határidőn belül, értékcsökkenés nélkül nem javítható ki, vagy nem kerül kijavításra.

Ha az előírt módon történő kijavításra, illetve kicserélésre vonatkozó kötelezettségének a forgalmazó nem tud eleget tenni, a fogyasztó – választása szerint – a vételár arányos leszállítást igényelheti, a hibát a forgalmazó költségére maga kijavíttathatja, vagy elállhat a szerződéstől (a hibás áru visszaszolgáltatásával egyidejűleg kérheti a nyugtán vagy számlán feltüntetett bruttó vételár visszatérítését). Jelentéktelen hiba miatt elállásnak nincs helye!

Kérjük, hogy a hiba felfedezését követő legrövidebb időn belül szíveskedjen azt a szervizben vagy a forgalmazónál bejelenteni. A kijavítást vagy kicserélést - a dolog tulajdonságaira és a fogyasztó által elvárható rendeltetésére figyelemmel - megfelelő határidőn belül, a fogyasztó érdekeit kímélve kell elvégezni.

Gyártó:	Forgalmazó:
Black & Decker Europe,	Stanley Black & Decker Hungary Kft
210 Bath Road, Slough,	1016. Budapest,
Berkshire, SL13YD,	Mészáros u. 58/B
Egyesült Királyság	

**Fogyasztói jogvita esetén a fogyasztó a megyei (fővárosi) kereskedelmi és iparkamarák mellett működő békéltető testület eljárását is kezdeményezheti!**

**Kereskedő által a vásárlással egyidejűleg kitöltendő**

Kereskedő neve és címe:  
 .....  
 A fogyasztási cikk megnevezése:.....  
 Tipusa:.....  
 Gyártási száma:.....  
 Szerződésköltés és a termék fogyasztó részére történő átadásának dátuma:..... P.H.  
 aláírás

**Kereskedő által kitöltendő kicserélés esetén**

A fogyasztó a hibás terméket valamennyi tartozékával átadta.  
 A kicserélés időpontja:..... P.H.  
 aláírás  
 A hibátlan terméket átvettem.  
 A kicserélt új termék átvételének időpontja:.....  
 .....  
**fogyasztó aláírása**

**Kijavítás esetén a szerviz tölti ki:**

**1. javítás**

A kijavítás iránti igény bejelentésének és a kijavításra átvétel időpontja:  
 .....  
 A bejelentett hiba oka és a kijavítás módja:  
 .....  
 A fogyasztó részére történő visszaadás időpontja:  
 .....  
 Amennyiben a termék nem javítható, a csereigény alapos:  
 igen / nem (aláhúzással jelölendő)  
 ..... P.H.  
 aláírás

**3. javítás**

A kijavítás iránti igény bejelentésének és a kijavításra átvétel időpontja:  
 .....  
 A bejelentett hiba oka és a kijavítás módja:  
 .....  
 A fogyasztó részére történő visszaadás időpontja:  
 .....  
 Amennyiben a termék nem javítható, a csereigény alapos:  
 igen / nem (aláhúzással jelölendő)  
 ..... P.H.  
 aláírás

**2. javítás**

A kijavítás iránti igény bejelentésének és a kijavításra átvétel időpontja:  
 .....  
 A bejelentett hiba oka és a kijavítás módja:  
 .....  
 A fogyasztó részére történő visszaadás időpontja:  
 .....  
 Amennyiben a termék nem javítható, a csereigény alapos:  
 igen / nem (aláhúzással jelölendő)  
 ..... P.H.  
 aláírás

**4. javítás**

A kijavítás iránti igény bejelentésének és a kijavításra átvétel időpontja:  
 .....  
 A bejelentett hiba oka és a kijavítás módja:  
 .....  
 A fogyasztó részére történő visszaadás időpontja:  
 .....  
 Amennyiben a termék nem javítható, a csereigény alapos:  
 igen / nem (aláhúzással jelölendő)  
 ..... P.H.  
 aláírás

## Stanley Black &amp; Decker Hungary Kft

Iroda 1016 Bp. Mészáros u 58/b. Tel. 214-05-61 Fax. 214-69-35

## Központi Márkaszerviz

Elérhetőség  
 ROTEL Kft. Márkaszerviz 1163 Bp. (Sashalom) Thököly út 17. Tel/fax 403-22-60, 404-00-14, 403-65-33  
 service@rotelkft.hu  
 www.rotelkft.hu

## Garancián túli javító ill. garanciális átvévhelyek

Város	Szervizállomás	Cím	Telefon
Cegléd	Megatool Kft.	2700, Széchenyi út 4.	53/311-284
Debrecen	Spirál-szerviz kft	4025, Nyugati út 5-7.	52443-000
Hajdúböszörmény	Vill-For Szerviz Bt	4220, Baltházár u. 26.	52/561-135
Kaposvár	Kaposvári Kíségjavító és Ért. BT	7400, Fő u.30.	82/318-574
Nagykanizsa	Vektor2000BT	8800, Király u 34.	93/310-937
Nyíregyháza	Charon Trade Kft	4400, Kállói út 85/b	42/460-154
Nyíregyháza	Tóth Kíségpszerviz	4400, Vasgyár u.2/f	42/504-082
Pécs	Elektrió Kft.	7623, Szabadság u.28.	72/555-657
Szeged	Csavarker Plus Kft	6721, Brüsszeli krt.16.	62/542-870
Székesfehérvár	Kíségp Center Bt.	8000, Széna tér 3.	22/340-026
Szolnok	Valido BT	5000 Dr Elek István u 5	20/4055711
Szombathely	Rotor Kft.	9700, Vasút u.29.	94/317-579
Tápiószecső	ÁCS.I Ker és Szolg Kft	2251, Pesti út 31-es főút	29/446-615

**CZ** ZÁRUČNÍ LIST

**PL** KARTA GWARANCYJNA

**H** JÓTÁLLÁSI JEGY

**SK** ZÁRUČNÝ LIST



**CZ** měsíců  
**H** hónap

**24**

**PL** miesiące  
**SK** mesiacov

<b>CZ</b>	Výrobní kód	Datum prodeje	Razítko prodejny Podpis
<b>H</b>	Gyári szám	A vásárlás napja	Pecsét helye Aláírás
<b>PL</b>	Numer seryjny	Data sprzedaży	Stempel Podpis
<b>SK</b>	Číslo série	Dátum predaja	Pečiatka predajne Podpis

(CZ)

Adresy servisu  
Band Servis  
Klásterského 2  
CZ-140 00 Praha 4  
Tel.: 00420 244 403 247  
Fax: 00420 241 770 167

Band Servis  
K Pasekám 4440  
CZ-76001 Zlín  
Tel.: 00420 577 008 550,1  
Fax: 00420 577 008 559  
<http://www.bandservis.cz>

(H)

Black & Decker Központi  
Garanciális-és Márkaszerviz  
1163 Budapest  
(Sashalom) Thököly út 17.  
Tel.: 403-2260  
Fax: 404-0014  
[www.rotelkft.hu](http://www.rotelkft.hu)

(PL)

Adres serwisu centralnego  
ERPATECH  
ul. Bakaliowa 26  
05-080 Mościska  
Tel.: 022-8620808  
Fax: 022-8620809

(SK)

Adresa servisu  
Band Servis  
Paulínska ul. 22  
SK-91701 Trnava  
Tel.: 00421 335 511 063  
Fax: 00421 335 512 624

(CZ)	Dokumentace záruční opravy			(PL)	Przebieg napraw gwarancyjnych	
(H)	A garanciális javítás dokumentálása			(SK)	Záznamy o záručných opravách	
CZ	Číslo	Datum příjmu	Datum zakázky	Číslo zakázky	Závada	Razítko Podpis
H	Sorszám	Bejelentés időpontja	Javítási időpont	Javítási munkalapszám	Hiba jelleg oka	Pecsét Aláírás
	Jótállás új határideje					
PL	Nr.	Data zgłoszenia	Data naprawy	Nr. zlecenia	Przebieg naprawy	Stempel Podpis
SK	Číslo dodávky	Dátum nahlásenia	Dátum opravy	Číslo objednávky	Popis poruchy	Pečiatka Podpis







