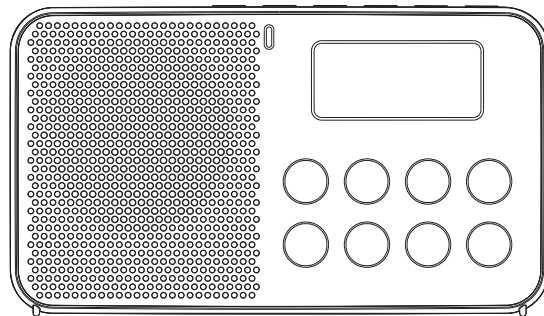


# POCKET 640 DPR-64



**GB**

Version 1

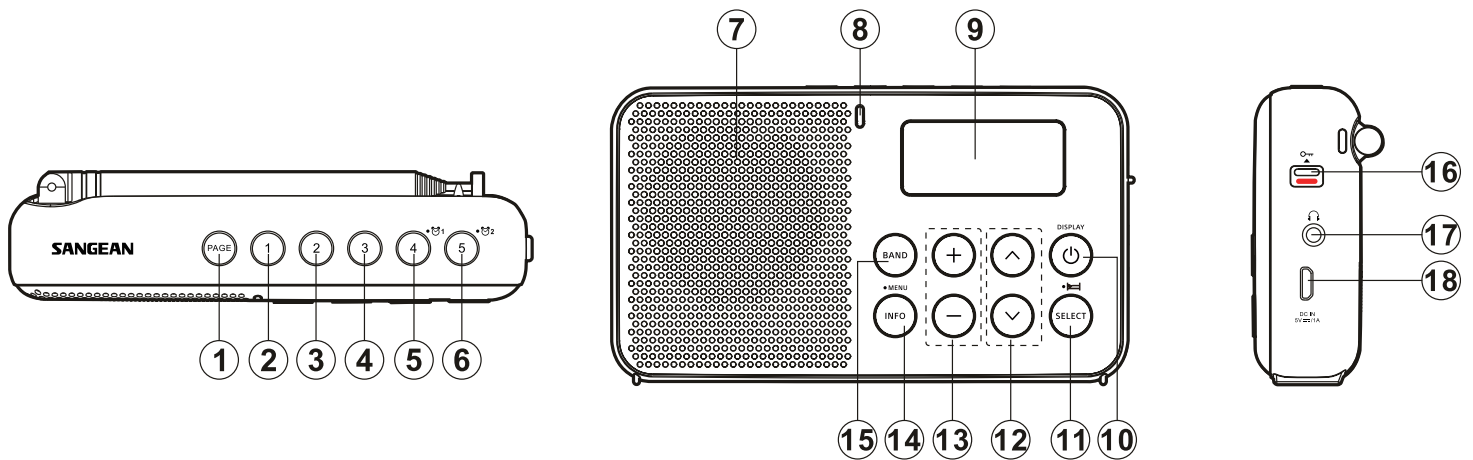
## Important safety instructions

1. Read and understand all safety and operating instructions before the radio is operated.
2. Retain instruction: The safety and operating instructions should be retained for further reference.
3. Heed warnings. All warnings on the appliance and operating instructions should be followed.
4. Follow all operations and use instructions.
5. Water and moisture: The appliance should not be used near water. Do not use near a bathtub, washbowl, laundry tub, kitchen sink, wet basement, swimming pool, etc.
6. Unplug the radio from the AC power outlet before cleaning. Use only a damp cloth for cleaning the exterior of the radio.
7. Do not place the radio on an unstable cart, stand, bracket or table. The radio may fall, causing serious personal injury and damage to the radio.
8. Ventilation: This radio should be situated so that its location or position does not interfere with its proper ventilation. For example, the radio should not be used on a bed, sofa, rug or other soft surfaces that may block the ventilation openings. It should not be placed in a built-in situation like a cabinet that may reduce air flow through the ventilation openings.
9. Power sources: The radio should be operated only from the type of power source indicated on the marking label. If you are not sure of the type of power supply to your home, consult your radio dealer or power company.
10. Mains adaptor: The mains adaptor should be positioned so it is not walked on, pinched, or items placed on top of it. Pay particular attention to wires at plugs, convenience receptacles, and the point where they exit from the unit. Unplug the mains adaptor by gripping the adaptor, not the wire. Operate the radio using only the current type of power source indicated. If you are not sure of the type of power supply to your home, consult your dealer or local power company.
11. Do not overload wall outlets or extension cords. This can result in a risk of fire or electrical shock. Never insert objects of any kind into the radio through opening. The objects may touch dangerous voltage points or short out parts. This could cause a fire or electrical shock.
12. If the radio is left unattended or unused for long periods of time, unplug it from the wall outlet. This will prevent damage caused by unplug it from the wall outlet. This will prevent damage caused by lightning or power line surges.
13. If the radio is left unattended and used for a long period of time, remove the batteries. The batteries may leak and damage furniture or your radio.
14. Do not attempt to service the receiver yourself. Removing the cover may expose you to dangerous voltage, and will void the warranty. Refer all servicing to authorized service personnel.
15. Never push objects of any kind into this radio through opening as they may touch dangerous voltage points or short-out parts that could result in a fire or electric shock. Never spill liquid of any kind into the product.
16. The appliance should be serviced by qualified service personnel when:
  - The power supply cord or the plug has been damaged.
  - Objects have fallen or liquid had been spilled into the radio.
  - The radio has been exposed to rain or water.
  - The radio does not appear to operate normally or exhibits a marked change in performance.
  - The radio has been dropped, or the enclosure damaged.
17. To prevent possible hearing damage, do not listen at high volume levels for long periods.



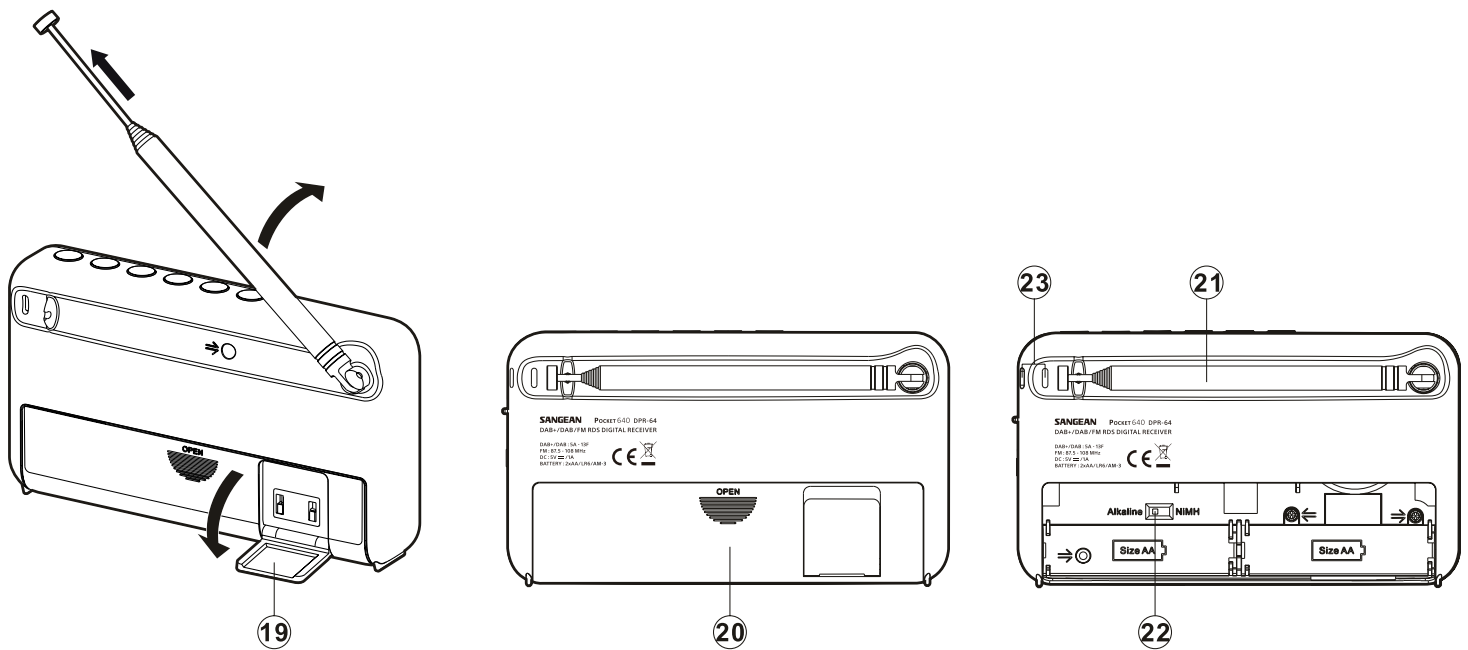
## Controls

GB



- |                                   |                                       |
|-----------------------------------|---------------------------------------|
| 1. Page button                    | 10. Power / Clock time display button |
| 2. Preset 1                       | 11. Select/ Sleep timer button        |
| 3. Preset 2                       | 12. Tuning up / down button           |
| 4. Preset 3                       | 13. Volume up / down button           |
| 5. Preset 4/ Alarm 1 button       | 14. Info/Menu button                  |
| 6. Preset 5/ Alarm 2 button       | 15. Band button                       |
| 7. Speaker                        | 16. Lock switch                       |
| 8. Charge / Battery Low indicator | 17. Headphone socket                  |
| 9. LCD display                    | 18. Micro USB socket                  |

## Controls



### 19. Foldable stand

If needed, when the antenna is fully extended you can stabilize the radio using the foldable stand located on the rear of your radio by following the above diagram.

### 20. Battery compartment

### 21. Telescopic aerial

### 22. NiMH/Alkaline batteries switch

### 23. Strap holder

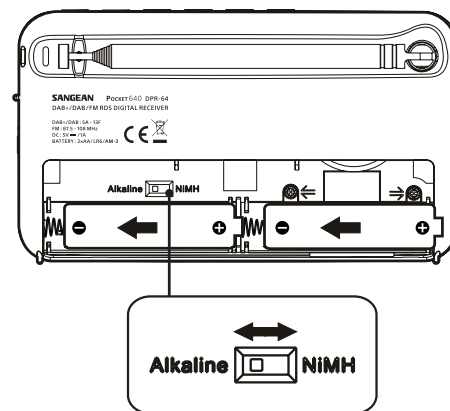
## Battery operation

1. Remove the battery compartment cover on the back of the unit by sliding the cover downwards. Open the battery compartment door.

### Note:

Before you insert the batteries, check the NiMH/Alkaline switch position. If you use non-rechargeable batteries, make sure the NiMH/Alkaline switch which located inside the battery compartment is switched to Alkaline position. If you use rechargeable batteries, make sure to switch NiMH/Alkaline switch to NiMH position.

2. Insert two LR6 (AA size) batteries into the space in the compartment. Ensure the batteries are inserted in accordance with the diagram shown. Close the battery compartment door.
3. When the battery capacity drops below a certain level the low battery indicator will light. When you see this indicator you should replace the batteries as soon as it is convenient to do so. Reduced power, distortion and a “stuttering” sound are also signs that the batteries may need replacing.
4. If the radio is not to be used for any extended period of time it is recommended that the batteries are removed from the radio.



## Charging the batteries

Make sure the radio is switched off and connected to the power source.

When the battery charge indicator LED flashes green, this indicates the batteries are charging. Batteries will be fully charged in around 3-5 hours. The battery charge indicator LED shows steady green light when the battery charging process is complete.

### Note:

Duration for charging your batteries fully can vary according to the mAh capacity of the batteries. Higher mAh batteries require a longer charging time.

## Using USB cable to charge (European Version)

Use USB cable to connect your radio to any power source with a USB port (e.g.PC) to charge.

1. Plug the Micro USB end into the Micro USB socket of the radio.
2. Plug the other end of the USB cable into any power source with USB port (e.g.PC).

**Important:**

The radio battery may drain instead of charge if radio is connected to a PC that's turned off or is in sleep or standby mode, or to a USB hub, or to a USB port on a keyboard.


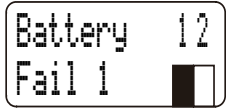
## Using the USB power adapter (Australian Version)

Use the USB power adapter to provide power to your radio and charge the battery.

1. Plug the Micro USB end into the Micro USB socket of the radio.
2. Plug the power adapter into a wall socket.

## Battery charging indicator

Please note that the battery charging status detection can only be activated when the radio is in charging mode.

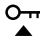
If batteries are already fully charged, display is shown at right and the battery charge indicator LED shows steady green light.	
During the charging process, if a battery is detected as faulty/damaged, a solid square will be displayed under the corresponding battery number (see picture right).	

## IMPORTANT INFORMATION ON CHARGING AND USING RECHARGEABLE BATTERIES

1. Recharge the batteries in any case at least every 2 months.
2. Make sure the Battery Select switch inside the battery compartment is set to the "NiMH" position.
3. Put the batteries in the compartment while paying attention to the correct polarity of the batteries (+ and -).
4. First use: Charge new batteries in one continuous, uninterrupted, charge until they are full. This first charge may take longer than normal. For longer battery life it is advised to always recharge in one continuous, uninterrupted charge until batteries are full and to not recharge again while the batteries are still full.
5. New batteries will only reach their full capacity after some time of use (several charge and discharge cycles).
6. Leave the complete group of batteries in place inside the radio and do not use these batteries or a few of them for other purposes. This will result in a mix of (fully) charged and (partly) empty batteries. This can seriously damage the batteries and radio when recharged.
7. It is advised to only charge batteries at room temperatures between 5 degrees C – 35 degrees C. In lower or higher temperatures full charge cannot be achieved.
8. Depending on the capacity of the batteries, charging from "empty" to "full" can take several hours, even up to 5 hours or more.
9. Do not charge batteries when the radio is hot or exposed to heat or heat sources.
10. It is advised to clean the metal contacts of the batteries and of the charger inside the radio e.g. with a contact-spray from time to time.
11. Do not use a mix of old and new rechargeable batteries.
12. Do not use a mix of rechargeable and non-rechargeable batteries.
13. Do not use a mix of full and empty rechargeable batteries.
14. Do not use batteries that have a different mAh capacity.
15. Do not use damaged, deformed or leaking batteries.
16. Battery level indication is an approximate indication only and can vary with battery type that is used.
17. Batteries can become hot during charging.
18. In cold conditions the capacity of batteries will be much lower than when used at normal room temperature
19. Batteries (even when supplied with the radio), as being consumables, do not fall under the warranty conditions of the radio.
20. Batteries should not be disposed of by incineration and with household waste.
21. Disposable batteries should be taken to a suitable recycling center if possible.
22. CAUTION: "Risk of explosion if the battery is replaced by an incorrect type."

## Lock switch

The lock switch is used to prevent unintentional operation of your radio.

1. Set the Lock switch located on the side of your radio to the "Lock" position  and the power and all other buttons will be disabled.

This will prevent accidental operation when your radio is packed in a suitcase or travel bag.

2. To release the lock, slide the Lock switch down to the "Unlock" position.

### **IMPORTANT:**

'Key Locked' will show on the display if pressing the buttons when the radio is locked. The radio will not be able to be turned on if locking the radio when it's in power off mode.

## Operating your radio – DAB

1. Carefully extend the telescopic aerial.
2. Press and hold the Power button to switch on your radio. The display will show "Welcome to Digital Radio" briefly.
3. If this is the first time the radio is used, a quick scan of the Band III DAB channels will be carried out. If the radio has been used before the last used station will be selected.
4. During the scanning process, as new stations are detected, the station counter on the right hand side of the display will increase and stations will be added to the list. The lower line of the display shows a bar-graph indicating progress of autotune.
5. When the scanning is complete the first station (in numeric alpha order 0...9...A...Z) will be selected.
6. If the station list is still empty after the scan your radio will display "No DAB station".
7. If no signals are found it may be necessary to relocate your radio to a position giving better reception.

7

## Selecting a station –DAB

1. The top line of the display shows the name of the station currently selected.
2. Press the Tuning Up/Down buttons to scroll through the list of available stations.
3. Press and release the Select button to select the station. The display may show "Now tuning..." while your radio finds the station.
4. Adjust the Volume control to the required setting.

### **Note:**

If after selecting a station the display shows "Service not available" it may be necessary to relocate your radio to a position giving better reception.

## Secondary services – DAB

1. Certain radio stations have one or more secondary services associated with them. If a station has a secondary service associated with it the display will show ">>" next to the station name on the station list. The secondary service will then appear immediately after the primary service as you press the Tuning Up button.
2. Press the Select button to select the station.



## Display modes – DAB

Your radio has a range of display options when in DAB mode:

1. Press the Info button to cycle through the various modes.
  - a. Scrolling Text Displays scrolling text messages such as artist/track name, phone in number etc.
  - b. Program Type Displays the type of station be listened to e.g. Pop, Classic, News etc.
  - c. Multiplex Name Displays the name of DAB multiplex to which the current station belongs.
  - d. Time and Date Displays the current time and date.
  - e. Channels & Frequency Displays the frequency of DAB multiplex for the station listened to.
  - f. Bit rate & Audio type Displays the digital bit rate & audio type for the station being listened to.
  - g. Signal Strength Displays a graph showing the signal strength for the station being received.
  - h. Battery capacity Displays current battery capacity of using batteries operation. (If your radio is powered by USB cable or USB power adapter, no battery capacity is shown on the screen.)

## Finding new stations – DAB

As time passes new stations may become available. To find new stations proceed as follows:

1. Press the Band button to select DAB radio mode.
2. Once in DAB mode, press and hold the Menu button.
3. Press the Tuning up/ down button to select “Scan”.
4. Press the Select button to initiate the scan. The display will show 'Scanning' and your radio will perform a scan of the DAB Band III frequencies.  
As new stations are found the station counter will increase and stations will be added to the list.  
The bar graph indicates the progress of the scan.

## Manual Tuning – DAB

Manual tuning allows you to tune directly to the various DAB Band III channels.

1. Press and hold the Menu button to enter the DAB setting menu.
2. Press either the Tuning Up/Down button until the display shows “Manual Tune”.
3. Press the Select button. Press either the Tuning Up/Down button to adjust the required DAB channel.
4. Press and release the Select button to select the required DAB channel. The clear unfilled rectangle indicates the minimum signal level required for satisfactory reception. The signal strength bar will go up and down showing the changing signal strength as you adjust the telescopic aerial on your radio.
5. When a DAB signal is found, the display will show the name of the DAB multiplex. Any new radio stations found will be added to the list stored in the radio.
6. Press and release the Select button to return to normal tuning.

## Dynamic Range Control settings – DAB

Dynamic Range Control (also known as DRC) can make quieter sounds easier to hear when your radio is used in a noisy environment.

1. Press and hold the Power button to switch on your radio.
2. Press and hold the Menu button to enter the DAB setting menu.
3. Press the Tuning Up/Down buttons until the display shows “DRC Value”.
4. Press and release the Select button to enter the setting.
5. Press the Tuning Up/Down buttons to select the required DRC setting (the default is 0).  
DRC 0 – DRC is switched off, Broadcast DRC will be ignored.  
DRC 1 – DRC is set as sent by broadcaster.  
DRC 1/2 – DRC level is set to 1/2 that sent by broadcaster.
6. Press and release the Select button to confirm the setting. The display will return to normal tuning mode.

### **Note:**

Not all DAB broadcasts are able to use the DRC function. If the broadcast does not support DRC, then the DRC setting in the radio will have no effect.

## Prune stations – DAB

Over time, some DAB services may stop broadcasting, or may change location and then not be able to receive a station. In order to remove such stations from the DAB station list, the Prune stations function will delete the DAB stations from your station list that can no longer be received.

Stations which cannot be found or which have not been received for a very long time are shown in the station list with a question mark.

1. Press and hold the Power button to switch on your radio.
2. Press the Band button until the DAB mode is selected.
3. Press and hold the Menu button to enter the DAB menu setting.
4. Press the Tuning up/down button until ‘Prune’ appears on the display. Press the Select button to enter the setting.
5. Press the Tuning up/down button to highlight ‘Yes’. Press the Select button to cause the stations list to be pruned, eliminating unavailable stations.
6. If you do not wish to prune stations highlight ‘No’ in step 5 and then press and release the Select button. The display will revert back to the previous display.

### **Note:**

If you have moved to a different part of the country you should also carry out a search for new stations (please see the section ‘Finding new stations’ in previous section).

## Station order – DAB

Your radio has 3 station order settings from which you can choose.

The station order settings are name, ensemble and active.

**Note:** The default station order on your radio is name.

1. When in DAB mode, press and hold the Menu button to enter the DAB menu setting.
2. Press the Tuning up/down button until 'Station Order' appears on the display. Press the Select button to enter the setting.
3. Press the Tuning up/down button until the required station order setting is displayed.
4. Choose between name, active and ensemble.
  - 'Name' - sorts the station list alpha-numerically 0...9 A...Z.
  - 'Active' - shows only those stations for which a signal can be found.
  - 'Ensemble' - organises the station list by DAB multiplex.
 The current setting is indicated by an asterisk.
5. Press the Select button to enter the setting.

## Operating your radio – FM

1. Carefully extend the telescopic aerial.
2. Press and hold the Power button to switch on your radio.
3. Press the Band button to select the FM band.
4. Press and release the Select button until the display shows "Auto tune".
5. Press the Tuning Up button. Your radio will scan from the currently displayed frequency in direction upwards and will stop scanning when it finds a station of sufficient strength. To scan down in frequency, press the Tuning Down button. Your radio will scan in a downwards direction (high frequency to low frequency) and stop automatically when it finds a station of sufficient strength.
6. The display will show the frequency of the signal which has been found. If RDS information is available, after a few seconds the display will show the radio station name.
7. When the end of the waveband is reached, your radio will recommence tuning from the opposite end of the waveband.
8. Adjust the Volume control to the required setting.
9. To switch off your radio press and hold the Power button.

## Manual tuning – FM

1. Press and hold the Power button to switch on your radio.
2. Press the Band button to select the FM band.
3. Press and release the Select button until the display shows “Manual tune”.
4. Press either Tuning Up or Down button to tune to a station. The frequency will change steps of 50kHz. Pressing and holding one of the buttons will advance the frequency selection several times each second.
5. When the end of the waveband is reached the radio will recommence tuning from the opposite end of the waveband.
6. Adjust the Volume control to the required setting.
7. To cancel the Manual Tune option, press and release the Select button again so that the display shows “Auto tune”.

## Display modes – FM

On FM the bottom line of the display can be set to any of the following modes:

1. Press the Info button to cycle through the various options.
  - a. Radio text Displays scrolling text messages such as artist/track name, phone in number etc.
  - b. Program type Displays the program information for the station being listened to e.g. Pop, Classic, News, etc.
  - c. Time and date Displays the current time and date.
  - d. Frequency Displays the frequency of the station being listened to.
  - e. Audio Type Displays the audio type for the station being listened to.
  - f. Battery capacity Displays current battery capacity of using batteries operation. (If your radio is powered by USB cable or USB power adapter, no battery capacity is shown on the screen.)

### **Note:**

These FM mode information displays are only available when the radio is able to receive RDS information from the broadcaster.

## Presetting stations – DAB and FM

There are 15 memory presets for each of the two wavebands.

1. Press and hold the Power button to switch on your radio.
2. Tune to the required station as previously described.
3. To store the station as a preset, press the Page button to select the required preset page 1 to 3 and then press and hold the required preset button (1-5) until the display shows for example, "P1M1 stored". The display will show the page and the memory pre-set you selected. e.g. "P1M1". Repeat the procedure for the remaining presets.
4. Stations stored in the presets may be overwritten by following the above procedure.

## Recalling a preset – DAB and FM

1. Press and hold the Power button to switch on your radio.
2. Select the required waveband.
3. Press the Page button to select the required preset page and then momentarily press the required Preset button. Your radio will then tune to the station stored in preset memory.

## Stereo / Mono setting – FM

Your radio will play stereo broadcasts in stereo (via headphone) so long as the received signal is of adequate strength. However, as a stereo signal becomes weaker the audio signal will become poorer. It may be preferable to force the radio to play the station in mono in order to reduce the level of audio noise.

1. Press and hold the Power button to switch on your radio. Tune to the required FM radio station as previously described.
2. Press and hold the Info button to enter the FM menu setting.
3. Press the Tuning Up/Down buttons until the display shows "Mono Override" on the lower line. Press the Select button. The lower line will show "Override Off" if the radio is in the Auto-Stereo mode.
4. Press the Tuning Up/Down button to switch on the Mono-Override. While this setting is engaged, the radio will play the current station in mono whether listening via headphones or the loudspeaker. Mono Override is a temporary setting and is applied to the currently tune station only. It is cancelled automatically by tuning to another radio station.
5. If you wish to cancel Mono-Override while listening to the currently tune radio station, press and hold the Info button and press the Tuning Up/Down buttons until the display shows "Mono Override" on the lower line. Press the Select button. The lower line will show "Override On" if the radio is in the Mono-Override mode.
6. Press the Tuning Up/Down button to switch off the Mono-Override. The radio will play the current station in stereo through headphone if the signal is sufficiently strong.

## Scan sensitivity setting – FM

Your radio will normally scan for FM broadcasts which are strong enough to give good reception. However, you may wish the Auto scan function to also be able to find weaker signals, possible from more distant radio transmitters. Your radio includes a local / distant option for the Auto-scan function.

1. Press and hold the Power button to switch on your radio.
2. If needed, press the Band button to select the FM band.
3. Press and hold the Info button to enter the FM menu setting.
4. Press and release the Tuning Up or Down buttons until the display shows “FM Scan Zone” then press the Select button to enter the scan zone setting.
5. Press the Tuning Up or Down buttons to switch between Local and Distant options on the lower line of the display. The Distant option will allow the radio to find weaker signals when scanning.
6. Press the Select button to confirm your selection. The radio will then revert to the normal information display. The Local or Distant setting is stored in the radio and remains in force until changed or until a System Reset.

### **Note:**

The initial setting (out of the box, or after a System Reset) causes the radio to ignore weak (distant) signals.

## Clock and Alarms

### **Automatically updating the clock**

You can specify that the unit sets its clock from DAB or FM radio broadcasts. After a power failure the radio will then set its clock the next time that you turn on the radio in DAB or FM mode. Alternatively you can specify that the time is not automatically updated. In this case the clock must always be set manually after a power interruption.

1. With your radio switched on, press and hold the Menu button to access the menu for the current mode.
2. Press the Tuning up/down button until “Time” is highlighted on the display. Press the Select button to enter the setting.
3. Press the Tuning up/down button until “Auto” is highlighted on the display. Press the Select button to enter the setting.
4. Press the Tuning up/down button to choose an update option from “DAB”, “FM”, “Any” or “No” as required. Press the Select button to confirm your choice. The radio will then exit to the previous menu setting.

## Setting the clock manually

1. With your radio switched on, press and hold the Menu button to access the menu for the current mode.
2. Press the Tuning up/down button until "Time" is shown on the display. Press the Select button to enter the setting.
3. Press the Tuning up/down button until "Manual" is shown on the display. Press the Select button to enter the setting.
4. The hour digit will flash on the display. Press the Tuning up down button to choose the desired clock hour. Press the Select button to confirm the setting.
5. The minute digit will flash on the display. Press the Tuning up down button to choose the desired clock minute. Press the Select button to confirm the setting.
6. The date digit will then flash on the display. Press the Tuning up/down to choose the desired date. Press the Select button to confirm the setting.
7. The month digit will flash on the display. Press the Tuning up down to choose the desired month. Press the Select button to confirm the setting.
8. The year digit will flash on the display. Press the Tuning up down button to confirm the setting. Press the Select button to confirm the setting. Now the clock setting is completed. You can press the Clock time display button to view the clock time.

## Setting the alarm times

Your clock radio has two alarms which can be set to wake you to either radio or buzzer alarm.

Each alarm can be set to sound once, daily, on weekdays or at weekends. Ensure that the time is set correctly before setting the alarms.

1. With your radio switched on, press and hold the Menu button to access the menu for the current mode.
2. Press the Tuning up/down button until "Alarm 1 / 2" is shown on the display. Press the Select button to enter the setting.
3. Press the Tuning up/down button to choose "Alarm 1" or "Alarm 2" and press the select button to enter the setting.
 

**Note:** When the radio is in standby mode, you can also press and hold the Alarm 1 button or Alarm 2 button to enter the alarm setting.
4. Press the Tuning up/down button to choose between 'Alarm On' or 'Alarm Off' and press the select button to confirm the setting. If 'Alarm Off' is selected, the current setting for that alarm will be cancelled. Choose 'Alarm On' to continue the alarm setting.
5. Press the Tuning up/down button to select the desired hour. Press the Select button to confirm the setting.
6. Press the Tuning up/down button to select the desired minute. Press the Select button to confirm the setting.
7. Press the Tuning up/down button to choose the alarm frequency options, as following:
 

'Once': the alarm will sound once

'Weekends': the alarm will sound only at weekends

'Weekdays': the alarm will sound on weekdays only



'Daily': the alarm will sound everyday Press the Select button to confirm the setting.

8. Press the Tuning up/down button to choose the desired alarm source (DAB, FM, Buzzer).

Press the Select button to confirm the setting. If setting alarm to Buzzer proceed to step 10.

9. If setting the alarm to a radio option, press the Tuning up/down button to choose from either the radio station 'Last listened' to, or from the presets. Press the Select button to confirm the selection.

**Note:** The alarm may only use a preset which has already been stored.

10. Press the Tuning up/down button to choose your desired volume and press the Select button to confirm the setting. Your radio will show "Alarm Saved" and exit the alarm setting screen. Alarms are indicated in the display by the alarm symbol and the corresponding alarm number (e.g.  or .

**Note:** When the radio is in standby mode, you can also press the Alarm 1 button or Alarm 2 button to activate or disable the alarms.

## When the alarm sounds

The alarm will sound at the selected times for up to 60 minutes unless cancelled. The maximum volume used for the alarm will be specified during the alarm setting procedure. When your radio is set to wake by the radio alarm, your radio will switch to the selected radio station. If the radio cannot connect to the specified the radio station, the buzzer will be used instead.

To cancel a sounding alarm, press and hold the Power button to cancel a sounding alarm.

**Note:** If the radio is switched on because of a radio alarm you can control basic functions such as the volume control.

When the alarm activates it will start softly and gradually increase in level. The radio will automatically switch back to standby mode when the 60 minutes have elapsed.

## Snooze timer

1. When the radio alarm sounds, pressing any button other than the Volume up/down button will silence the alarm for the selected number of minutes. When the buzzer alarm sounds, press any button. This will silence the alarm for the selected number of minutes. The Snooze time can be adjusted between 5 and 20 minutes in 5 minute increments. Default setting is 10 minutes.
2. The snooze duration can only be set while the radio is playing. To adjust the silence time for the snooze timer, press and hold the Menu button to access the menu for the current mode.
3. Press the Tuning up/down button until 'Snooze Duration' is shown on the display. Press the Select button to enter the setting.
4. Press the Tuning up/down button to choose the desired snooze time to 5, 10, 15 or 20 minutes. Press the Select button to confirm the setting. If "Off" is selected, when the alarm sounds, pressing any button will not silence the alarm.
5. While the snooze timer is active the symbol "Z" is flashed on the display.
6. In order to cancel the Snooze timer while the alarm is suspended, press and hold the Power button.



## Sleep timer

Your clock radio can be set to turn off after a preset time has elapsed.

The sleep setting can be adjusted between 10 and 90 minutes. Ensure your clock radio switched on.

1. To set the desired sleep time, press and hold the Sleep timer button to enter the setting menu.
2. Repeatedly press the Tuning up/down button to select the desired sleep time. Press the Select button to confirm the setting. Use the "Off" option to cancel the sleep function. An active sleep timer is shown using a symbol "S" on the playing display. Your clock will switch off after the preset time has elapsed.
3. To cancel the sleep timer before the preset time has elapsed and to turn off the radio, press and hold the Power button to turn the unit off manually. To cancel the sleep timer and leave the radio playing, go back to the sleep timer settings (step 1 to 2) and select the "Off" option in step 2.
4. To view the remaining time of an active sleep timer on the display, press and hold the Sleep timer button.

## Software version

The software display cannot be altered and is just for your reference.

1. To view the software version on the display press and hold the Menu button to enter the menu.
2. Repeatedly press the Tuning Up/Down button until "SW Version" appears on the display.
3. Press the Select button and the software version will appear on the display.
4. Press and release any button to exit the software version display.

## System reset

If your radio fails to operate correctly, or some digits on the display are missing or incomplete carry out the following procedure.

1. Press and hold the Power button to switch on your radio.
2. Press and hold the Menu button to access the menu for the current mode.
3. Repeatedly press the Tuning Up/Down button until the display shows "Factory Reset" and press the Select button to enter the setting.
4. Press the Tuning Up/Down button to select "Yes" or "No". If you do not wish to carry out a system reset, select "No" and then press the Select button to confirm the setting.
5. With "Yes" selected, press the Select button. A full reset will be performed. All presets and station lists will be erased. All settings will be set to their default values. After a system reset, the radio will be restarted. The display will show "Welcome to Digital Radio" and a scan of the DAB band III will be performed. In case of malfunction due to electrostatic discharge, reset the product (reconnection of power source may be required) to resume normal operation.

## Language

Your radio can be configured to a different language.

1. Press and hold the Power button to switch on your radio.
2. Press and hold the Menu button to enter the menu setting and then press the Tuning up/down button to select "Language". Press the Select button to enter the setting.
3. Press the Tuning up/down button to select your required language.
4. Press the Select button to confirm your selection.  
The display will change to the chosen language.

## Headphone socket

A 3.5mm Headphone Socket located on the right hand side of your clock radio is provided for use with either headphones or an earpiece. Inserting a plug automatically mutes the internal loudspeaker.

### **IMPORTANT:**

Excessive sound pressure from earphones and headphones can cause hearing loss.

To prevent possible hearing damage, do not listen at high volume levels for long periods.



## Display backlight

1. When using on batteries, the display backlight will be switched on for approximately 10 seconds when any button is pressed if the radio is in power on mode. If the radio is in standby mode, the display backlight will be switched on for approximately 10 seconds when only the Power button is pressed.
2. When your radio is powered by USB cable or USB power adapter, the display backlight will always be on when the radio is switched on. If the radio is in standby mode, the display backlight will be switched on for approximately 10 seconds when any button is pressed.

## Specifications

### Power Requirements

Mains	DC 5V /1A
Batteries	2 x LR6 (AA size) Alkaline or NiMH rechargeable

### Frequency Coverage


FM:	87.5 – 108 MHz
DAB:	5A 174.928 – 13F 239.200MHz

### Circuit Features

Loudspeaker	2" 6 ohm full range
Output Power	0.6 Watt
Headphone socket	3.5mm dia.
Aerial System	FM/DAB telescopic aerial

Operating temperature range: 0°C to +35°C

*The company reserves the right to amend the specifications without notice.*

 If at any time in the future you should need to dispose of this product please note that: Waste electrical products should not be disposed of with household waste. Please recycle where facilities exist. Check with your Local Authority or retailer for recycling advice. (Waste Electrical and Electronic Equipment Directive)