

“eSTAR” Smart Tablet
Model No:
eSTAR BEAUTY 2 HD Quad Core



Thank you for purchasing “eSTAR” smart tablet. Before starting using it, we recommend reading this quick start guide. A detailed manual may be found on the website www.estar.eu.

The content of this quick start guide may differ from software and hardware configuration of your “eSTAR” model;

- Quick start guide contains information subject to change without prior notice. The latest version is available on the website www.estar.eu;
- Equipment of “eSTAR” products and/or accessories may differ by regions/countries;
- Equipment of “eSTAR” products is designed specifically for certain model and may be incompatible with other “eSTAR” products;
- “eSTAR” shall not be responsible for malfunctions, caused by usage of incompatible accessories (chargers, earphones , etc.);
- Additional accessories for “eSTAR” products can be purchased from regional “eSTAR” products representative;
- “eSTAR” shall not be responsible for missing information and failures, caused by improper usage of hardware and software, or other accidents.

Safety measures

In order to use the device in a safe manner – to avoid injuries or failures, please read the following information:

- High volume, while using earphones, can lead to adverse effect to your hearing. Please adjust the volume properly, in order to avoid hearing damage.
- Warning: be careful for not to cause electric shock, fire and explosion;
- Do not touch “eSTAR” product and its parts with wet hands, and do not use the device, while charging it;
- Do not pull the charger by cable;
- Do not bend or damage power cord;
- Do not use damaged or faulty charger;
- Do not drop and break the charger or device.
- Do not use the device during thunderstorm – it could affect the operation of the device and increase the risk of electric shock;
- Do not disassemble the product by yourself;
- When cleaning the screen of your tablet or smart phone, do not use alcohol, thinner, or benzene, as this could lead to permanent damage of your device screen;
- Most of “eSTAR” products are not resistant to moisture or water; in case of using “eSTAR” products under these conditions, the device can become permanently damaged;
- Do not press the tablet or smart phone screen too hard – it may become damaged;
- Do not use the device while driving, it could cause a traffic accident.

Protect the environment. Ensure the appropriate disposal of “eSTAR” device

- When disposing devices, follow the local rules and regulations.
- Use the “eSTAR”- approved batteries and chargers, specifically designed for your device. Using an incompatible charger can lead to failure or damage of your device.
- Do not burn the devices that are no longer used.
- Do not place the devices on heating equipment, such as microwave ovens, cookers, or radiators. Batteries may explode when overheated.
- Do not crush or puncture the device. Make sure that the device is not under pressure from the outside - it can result in internal short circuit or device may overheat.



This symbol on the product or accompanying documents means that the device and electronic accessories (e.g.: charger, earphones, USB cable, etc.) should not be mixed with general household waste. USER, protect yourself and the surrounding environment, take the opportunity to contribute to conservation of nature for future generations, recycle waste and give it for recycling.

- For information, where and how to deliver this electronic waste for safe handling, the private persons should contact the seller of the product (shop, online shop, etc.) or local authorities;
- For information, where and how to deliver this electronic waste for safe handling, the legal persons should address the supplier of this product, and if they have agreement with electronic waste recycling organization concluded, they should give it for recycling directly.



CE marking on the product (or its package) shows that this product complies with European Union safety, health, and environmental protection requirements.



RoHS mark shows that the parts are made from the recycled materials.

Important information

- Battery will be fully charged by discharging and charging it for 2-3 times.
- Extreme temperatures (heat / cold) can deform your device and reduce the battery charge, and it may affect the shorter lifetime of the device.

Device usage in restricted areas or premises

Warning: when using the device in restricted areas, observe all safety warnings and instructions.

- Always turn off your device where it's usage is forbidden;
- Do not use your device near other electronic appliances;
- Most electronic devices use radio frequency signals. Your device may interfere with other electronic appliances.
- Do not put your device near the heart pacemaker. If possible, try not to hold your device closer than 15 cm from heart pacemaker; your device can interfere with pacemaker. In order to reduce the likelihood of interference with heart pacemaker, hold the device on the opposite side of the body than a pacemaker.
- Do not use your device in hospital or close to medical appliances, the radio frequencies of which could interfere;
- In case you are using any medical device, contact it's manufacturer and make sure that its radio frequency does not interfere;
- Turn of the device when near to potentially explosive places;
- Always follow the instructions, markings and signs for the potentially explosive places;
- Do not use the device when fuelling (in gas station) or near flammable materials or chemicals;
- In place where the device, its parts or accessories are stored, do not keep any flammable liquids, gas or explosive materials;
- Your main responsibility is to drive safely. Never use the device while driving, if rules forbid that;
- Turn off your device, when taking off and landing. The device may interfere with aircraft navigation system.

Suitable maintenance and usage of “eSTAR” product

Keep the device in a dry place

- Moisture and the liquids of all kinds can permanently damage the parts or device itself;
- Do not turn on the device, if it is wet. If the device is already turned on, turn it off immediately and take out the battery. If the device cannot be turned off or you cannot take out the battery – do nothing. Wipe the device with a towel and bring it to a service centre.
- Manufacturer’s guarantee does not cover the failures, caused by moisture.

Do not use, do not store the device in dusty, dirty places

- The dust that gets into the device can negatively affect its functioning.

Do not keep the device on sloping surfaces

- If the device falls down, it may be damaged.

Do not store the device in cold or hot places

- Use the device only in temperatures of -20 +45 °C;
- In case of hot weather, the device, left in the closed vehicle, can explode as the temperature inside may reach +80 °C;
- Do not keep the device in direct sunlight for a long time (for example, on car deck);

Do not keep the device near magnetic fields

- Due to effect of magnetic fields the device may start functioning improperly or the battery may become discharged;

Do not keep the device near or on heaters, for example, in microwave ovens, cooking appliances or high pressure containers

- The device may overheat, cause fire or explode.

Do not drop and hit your device

- You can break the screen of device;
- The device or its parts can be damaged or start functioning improperly, when bended and deformed.

Do not allow your device to contact with metal items: coins, keys, chains

- The device or its screen may become scratched.

Protect your eyes from the adverse effect of light flashes

- The room, where you use your device, must be at least minimally illuminated, do not keep the screen very close to eyes.
- While watching movies or playing video games for a long time, your vision might be temporarily reduced due to exposure to bright light. If you feel unpleasant symptoms, turn off the device immediately.

Reduce the risk of injuries cause by repetitive motions

- In case of constant and the same actions: pressing the same keys, writing text, playing games, you may experience discomfort in the hands, neck, shoulders, or other body parts. In case of prolonged use of this device, keep it with the hand relaxed, unstrained, we advise you to have regular breaks. If unpleasant symptoms persist, while using device, stop using it and consult a physician.

Ensure the maximum lifetime of charger and battery

- Do not leave the battery in charge for longer than a week, since overcharging can reduce its lifetime.
- Over time, the unused batteries discharge by themselves, and must be re-charged before using.
- Disconnect the chargers from the mains, when not using them.

Protect your hearing, while using earphones

- Too loud sound can be harmful to your hearing;
- Loud sound, while driving, can distract and cause an accident;
- Before connecting the earphones to sound source, decrease the volume. Set minimum volume parameter, required for listening to conversation or music;
- If you are in dry premises, static electricity may build up in the earphones. Avoid using the earphones in dry premises or, before connecting the earphones to device, touch them to a piece of metal to cause the electrostatic discharge.

In case of using the device, while walking or moving, follow the safety measures

- Always observe the environment to avoid injuries to yourself and others.

Do not disassemble, modify or repair device by yourself

- You will lose the manufacturer's warranty in case of any changes or modifications, made by yourself (including unauthorized changes in manufacturer's software). Please bring the broken "eSTAR" device to the nearest authorized "eSTAR" service centre;
- Do not paint the device and do not place stickers on it.

Device cleaning instructions:

- Clean the device and charger with dry towel/sponge or specifically designed means.
- Do not use chemicals or disinfectants.

Do not use the device, if the screen is broken or damaged

- Broken glass can cause injuries to your face and hands. Bring the device to "eSTAR" customer service centre for repair.

Use the device only for its intended purpose**When using the device in a public place, try not to disturb others****Be careful with SIM and memory cards**

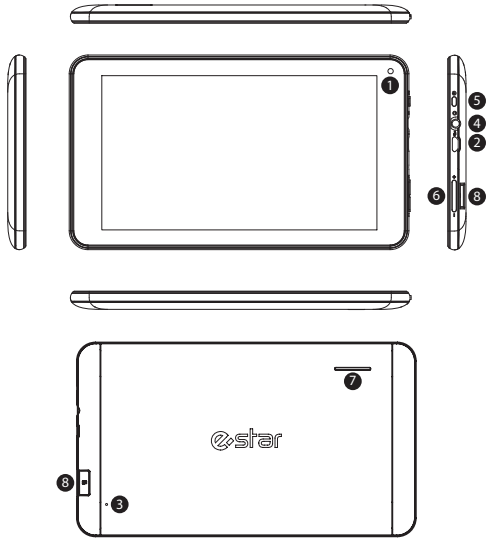
- Do not pull out a card, when the device is downloading or uploading information, as it can lead to data loss, and (or) card or device damage.
- Protect the cards from shocks, static electricity, electrical noise, caused by other devices.
- Do not touch the gold-coloured contacts or clips of memory card with fingers. If dirty, clean the card with soft cloth.

Protect your personal and other important data

- Do not forget to backup important data, while using the device. "eSTAR" shall not be responsible for data loss;
- When giving the device to the authorized "eSTAR" service centre for repair, make copies of important data and delete important information, if possible. "eSTAR" shall not be responsible for data loss;
- Before factory reset of software, take care of backup of important data;
- If you decided to dispose of your device, make sure that no important or personal information is left therein;
- In case of theft or loss of device, do not forget to change the passwords of your accounts, in order to protect your personal information.

Getting started

The main components



	Function/explanation
1.	Front camera/video camera
2.	USB Socket
3.	Reset
4.	Earphones socket
5.	Power button
6.	(VOL+/VOL)- button
7.	Speakers
8.	Micro SD(HC) slot

Battery charge

- Before using the device for the first time, fully charge its battery.
- Use “eSTAR” chargers, designed specifically for your device. Other chargers can lead to permanent damage of your device.

Power on/off

- In order to turn the device on, press Power button. If the device does not turn on, please check, whether it is charged;
- Upon turning the device on for the first time, set it according to the on-screen wizard. In order to use the applications that interact with Google™, you have to create a new one or sign in existing Google Account;
- In order to turn the device off, press Power button.

Note: In order to make a factory reset of software, for example, if an application fails to start, press and hold Power button until the device reboots.

Connection to the Internet

- To connect to the Internet, use WiFi (WLAN) function:
- → Settings → WLAN-ON. When connecting to certain WiFi (WLAN) access, passwords may be required;
- If the device has the possibility to use mobile data (2G/3G/4G), this function can be turned on in this way: Settings-Mobile data-ON. Please contact your mobile network operator for further configuration instruction. Attention! Connection and data download may be subject to additional charges. More detailed information on rates shall be provided by your mobile network operator.

** Google, Google Play are trademarks of Google Inc.

EC DECLARATION OF CONFORMITY

Date of Issue: 2017-07-03

We, the
Mikrovisata UAB,
Address: Savanoriu pr. 125, Kaunas, Lithuania

Declare the product
Description: eSTAR BEAUTY 2 HD Quad core (MID7388) tablet PC 7,0" inch screen, 8GB flash
Brand Name: eSTAR
Model No.: eSTAR BEAUTY 2 HD Quad core (MID7388)

Relevant Standards **EN 62479:2010**
Specifications/Directives: Assessment of the compliance of low power electronic and electrical equipment with the basic restrictions related to human exposure to electromagnetic fields (10 MHz to 300 GHz)

ETSI EN 300 328 V1.8.1 (2012-06):
Electromagnetic compatibility and Radio spectrum Matters (ERM); Wideband Transmission systems; Data transmission equipment operating in the 2.4 GHz ISM band and using wide band modulation techniques; Harmonize EN covering essential requirements and Article 3.2 of the R&TTE Directive

ETSI EN 301 489-1 V1.9.2 (2011-09):
Electromagnetic compatibility and Radio spectrum Matters (ERM); Electro Magnetic Compatibly (EMC) standard for radio equipment and services; Part 1: Common technical requirements

ETSI EN 301 489-17 V2.2.1 (2012-09):
Electromagnetic compatibility and Radio spectrum Matters (ERM) Electromagnetic Compatibility (EMC) standard for radio equipment and services Part 17: Specific conditions for Broadband Data Transmission Systems

EN 60950-1:2006 + A11:2009 + A1:2010 + A12:2011
Information Technology Equipment – Safety requirements Safety Part 1: General requirements

EN55022: 2010
Information technology equipment - Radio disturbance characteristics - Limits and method of measurement

EN61000-3-2: 2006 + A1: 2009 + A2: 2009
Electromagnetic compatibility (EMC) – Part 3-2: Limits – Limits for harmonic current emissions (equipment input current up to and including 16A per phase)

EN61000-3-3: 2013
Electromagnetic compatibility (EMC) – Part 3-3: Limits – Limitation of voltage changes, voltage fluctuations and flicker in public low-voltage supply systems, for equipment with rated current ≤16A per phase and not subject to conditional connection

EN55024: 2010
Information technology equipment - Immunity characteristics - Limits and methods of measurement

Radio Equipment and Telecommunications Terminal Equipment Directive (1999/5/EC) – R&TTE Article 3.1(a), 3.1(b) & Article 3.2

CEO Eimundas Mačiulis



CONSUMER ELECTRONICS

e-star

www.estar.eu

TV STAR

www.tvstar.eu



„eSTAR“ išmanusis įrenginys
Modelio Nr:
eSTAR BEAUTY 2 HD Quad Core



e-star

Dėkojame, kad įsigijote „eSTAR“ išmanųjį įrenginį. Prieš pradėdami jį naudoti, rekomenduojame perskaityti šią trumpą darbo pradžios vadovą. Išsamią vartotojo instrukciją rasite www.estar.eu interneto svetainėje.

Trumpo darbo pradžios vadovo turinys gali skirtis nuo Jūsų įsigyto „eSTAR“ modelio programinės bei techninės įrangos konfigūracijos;

- Trumpame darbo pradžios vadove pateikiama informacija gali būti keičiama be išankstinio įspėjimo. Naujausią versiją rasite www.estar.eu interneto svetainėje;
- „eSTAR“ gaminių komplektacija ir/arba parduodami priedai gali skirtis pagal regionus/šalis;
- „eSTAR“ gaminių komplektacija yra skirta būtent tam modeliui ir gali būti nesuderinama su kitais „eSTAR“ gaminiais;
- „eSTAR“ nebus atsakingas už įrenginio gedimus, sukeltus naudojant nesuderinamus priedus (įkroviklius, ausines ar kt.);
- Papildomų priedų, skirtų „eSTAR“ gaminiams, galite įsigyti iš regioninio „eSTAR“ atstovo;
- „eSTAR“ nėra atsakingas už trūkstamą informaciją ir gedimus, kilusius neteisingai naudojantis technine ir programine įranga, ar kitus nelaimingus atsitikimus.

Saugos užtikrinimo priemonės

Norėdami saugiai naudotis prietaisu - išvengti sužalojimų ar gedimų, perskaitykite šią informaciją:

- Naudojantis ausinėmis, didelis garsas gali padaryti žalos jūsų klausai. Prašome tinkamai sureguliuoti garsą, kad nepažeistumėte klausos;
- Perspėjimas: saugokitės, kad nesukeltumėte elektros iškvos, gaisro ir sprogoimo;
- Nelieskite „eSTAR“ gaminių nė jo dalių drėgnomis rankomis, nenaudokite prietaiso jį kraudami;
- Netraukite įkroviklio už laido;
- Nelankstykite ir kitaip nepažeiskite maitinimo laido;
- Nekraukite prietaiso pažeistu ar apgadintu įkrovikliu;
- Nemėtykite ir nedaužykite įkroviklio arba prietaiso.
- Nenaudokite prietaiso perkūnijos metu - gali sutrikti prietaiso veikimas ir padidėti elektros šoko rizika;
- Jokiu būdu neardykite gaminio patys;
- Valydami planšetinio kompiuterio ar išmaniojo telefono ekraną, nenaudokite alkoholio, skiediklio ar benzolo, tai gali nepataisomai sugadinti įrenginio ekraną;
- Daugelis „eSTAR“ gaminių nėra atsparūs drėgmei ar vandeniui, naudojant „eSTAR“ gaminius tokiomis sąlygomis, įrenginys gali būti nepataisomai sugadintas;
- Nespauskite planšetinio kompiuterio ar išmaniojo telefono ekrano per stipriai – jis gali sugesti
- Nenaudokite prietaiso vairuodami, tai gali sukelti eismo įvykį.

Saugokite aplinką. Pasirūpinkite tinkama „eSTAR“ gaminio utilizacija

- Šalindami prietaisus, vadovaukitės vietos taisyklėmis ir reikalavimais.
- Naudokite „eSTAR“ patvirtintus akumulatorius ir įkroviklius, specialiai sukurtus Jūsų prietaisui. Naudodami nesuderinamus įkroviklius, galite stipriai pažeisti arba apgadinti savo prietaisą.
- Nedeginkite nebenaudojamų prietaisų.
- Nedėkite prietaisų ant šildymo įrenginių, pavyzdžiui, mikrobangų krosnelės, viryklės ar radiatoriaus. Perkaitę akumulatoriai gali sprogti.
- Nesuspauskite ir nepradurkite prietaiso. Pasirūpinkite, kad prietaisas nebūtų slegiamas iš išorės - dėl to gali įvykti vidinis trumpasis jungimas arba įrenginys gali perkaisti.



Šis simbolis pateikiamas ant gaminio, jo priedų ar dokumentacijoje rodo, kad nebenaudojamo prietaiso ar jo elektroninių priedų (pvz.: įkroviklio, ausinių, USB kabelio ar kt.) negalima išmesti kartu su kitomis buitinėmis atliekomis. VARTOTOJAU - saugok save ir mus supančią aplinką, pasinaudok galimybe prisidėti prie gamtos išsaugojimo ateinančioms kartoms, rūšiuok atliekas ir atiduok jas perdirbimui.

- Privatūs asmenys dėl informacijos, kur ir kaip pristatyti šias elektronikos atliekas saugiam perdirbimui, turi kreiptis į gaminio pardavėją (parduotuvę, elektroninę parduotuvę ar kt.) arba į vietos valdžios institucijas;
- Juridiniai asmenys, dėl informacijos, kur ir kaip pristatyti šias elektronikos atliekas saugiam perdirbimui, turi kreiptis į šios įrangos tiekėją arba, jeigu turi sudarę sutartį su elektronikos atliekų perdirbimo organizacija, atiduoti jas perdirbti tiesiogiai.



CE ženklavimas (angl. "CE Marking") ant produkto (arba jo pakuotės) rodo, kad šis produktas atitinka Europos Sąjungos saugumo, sveikatos ir aplinkos apsaugos reikalavimus.



RoHS ženklas pažymi, kad detalės yra pagamintos iš perdirbtų žaliavų.

Svarbi informacija

- Baterija bus pilnai įkrauta ją iškrovus ir įkrovus 2-3 kartus.
- Ekstremalios temperatūros (karštis/saltis) gali deformuoti Jūsų prietaisą ir sumažinti baterijos įkrova, tai gali įtakoti sutrumpėjusį prietaiso naudojimo laiką

Prietaiso naudojimas apribotose vietose ar patalpose

Įspėjimas: naudodami prietaisą apribotose vietose, laikykitės visų saugumo perspėjimų ir nurodymų.

- Visada išjunkite prietaisą ten, kur draudžiama jį naudoti;
- Nenaudokite prietaiso šalia kitų elektroninių prietaisų;
- Dauguma elektroninių prietaisų naudoja radijo dažnių signalus. Jūsų prietaisas gali trukdyti kitiems elektroniniams prietaisams.
- Nepriartinkite prietaiso prie širdies stimulatoriaus. Jei įmanoma, stenkitės nenaudoti jo arčiau nei 15 cm nuo širdies stimulatoriaus, nes prietaisas gali sutrikdyti širdies stimulatoriaus veikimą. Norėdami to išvengti, prietaisą laikykite priešingoje kūno pusėje, nei yra stimulatorius.
- Nenaudokite prietaiso ligoninėje ar netoli medicininės įrangos, kuriai radijo dažniai gali trukdyti;
- Jei naudojate kokią nors medicininę įrangą, susisiekite su įrangos gamintoju ir įsitikinkite, kad Jūsų įrangos veikimo radijo dažniai netrikdo;
- Išjunkite prietaisą, priartėję prie potencialiai sprogių vietų;
- Visada laikykitės potencialiai sprogioms aplinkoms skirtų nurodymų, instrukcijų ir ženklų;
- Nesinaudokite įrenginiu, kai pilatės degalus (degalinėje) arba šalia degių medžiagų ar chemikalų;
- Vietoje, kurioje laikomas prietaisas, jo dalys ar priedai, nelaikykite jokių degių skysčių, dujų ar sprogstamųjų medžiagų;
- Saugiai vairuoti yra pagrindinė Jūsų atsakomybė. Niekada nenaudokite prietaiso vairuodami, jei tai draudžia taisyklės;
- Išjunkite savo prietaisą lėktuvui kylant ir leidžiantis. Prietaisas gali trikdyti lėktuvo navigacinės sistemos darbą.

Tinkama „eSTAR“ gaminio priežiūra ir naudojimas

Laikykite prietaisą sausai

- Drėgmė ir visų rūšių skysčiai gali sugadinti prietaiso dalis ar patį gaminį nepataisomai;
- Nejunkite prietaiso, jei jis yra sudrėkęs. Jei prietaisas jau įjungtas, nedelsdami jį išjunkite ir išimkite jo bateriją. Jeigu prietaisas neišsijungia arba Jūs negalite išimti baterijos, nieko nedarykite, nušluostykite prietaisą rankšluosčiu ir nugabenkite į servisą centrą;
- Gedimams, atsiradusiems dėl drėgmės, gamintojo granatija netaikoma.

Nenaudokite ir nelaikykite prietaiso dulketose, purvinoose vietose

- Į prietaisą patekusios dulkės gali sutrikdyti jo veikimą.

Nelaikykite prietaiso ant nuožulnių paviršių

- Jei prietaisas nuslydęs nukris, jis gali būti sugadintas.

Nelaikykite prietaiso karštosiose arba šaltose vietose

- Prietaisą naudokite esant -20 $+45$ °C temperatūrai;
- Esant karštiesiems orams, uždarytoje transporto priemonėje paliktas prietaisas gali sprogti, nes automobilio viduje temperatūra gali pasiekti $+80$ °C;
- Ilgai nelaikykite prietaiso tiesioginiuose saulės spinduliuose (pavyzdžiui, ant automobilio skydelio);

Nelaikykite prietaiso arti magnetinių laukų

- Dėl magnetinių laukų poveikio, prietaisas gali imti blogai veikti arba gali išsikrauti akumulatorius;

Nelaikykite savo prietaiso arti šildytuvų arba ant jų, pavyzdžiui, mikrobangų krosnelėse, kepimo įrangos ar aukšto slėgio kontenerių

- Prietaisas gali perkaisti, sukelti gaisrą arba sprogti.

Nenumeskite ir nesutrenkite savo prietaiso

- Galite sudaužyti prietaiso ekraną;
- Lankstomas ir deformuojamas prietaisas gali būti sugadintas arba jo dalys gali imti blogai veikti.

Neleiskite, kad Jūsų prietaisas liestųsi su kitais metaliniais daiktai: monetomis, raktais, grandinėlėmis

- Prietaisas arba jo ekranas gali būti subraižytas.

Apsaugokite akis nuo neigiamo šviesos blyksnių poveikio

- Patalpa, kurioje naudojate prietaisą, turi būti bent minimaliai apšviesta, nelaikykite ekrano labai arti akių.
- Ilgai žiūrint filmus arba žaidžiant vaizdo žaidimus, dėl ryškios šviesos poveikio, gali laikinai susilpnėti regėjimas. Pajutę nemalonius simptomus, prietaisą iš karto išjunkite.

Sumažinkite traumų riziką nuo pasikartojančių judesių

- Nuolat aliekant tuos pačius veiksmus: spaudant tuos pačius klavišus, rašant tekstą, žaidžiant žaidimus, gali atsirasti nemalonių pojūčių rankose, kakle, pečiuose ar kitose kūno vietose. Ilgai naudojant įrenginį laikykite jį atpalaiduota ranka, neįsitempę, patariame daryti reguliarius pertraukėles. Jeigu naudodami įrenginį vis tiek jaučiate nemalonius simptomus, nustokite naudotis įrenginiu ir kreipkitės į gydytoją.

Užtikrinkite maksimalią akumulatoriaus ir įkroviklio naudojimo trukmę

- Nepalikite krauti akumulatoriaus ilgiau nei savaitę, nes perkrovus gali sutrumpėti jo naudojimo trukmė.

- Laikui bėgant, nenaudojami akumulatoriai savaime išsikrauna ir prieš naudojami turi būti vėl įkrauti.
- Nenaudojamus įkroviklius išjunkite iš maitinimo tinklo.

Saugokite savo klausą naudodamiesi ausinėmis

- Didelis garsas gali sukelti klausos sutrikimų;
- Didelis garsas varijuojant gali atitraukti dėmesį ir sukelti nelaimingą atsitikimą;
- Visada pritildykite garsą prieš įjungdami ausines į garso šaltinį. Nustatykite minimalaus garsumo parametą, reikalingą klausytis pokalbio ar muzikos;
- Jeigu esate sausoje patalpoje, ausinėse gali susidaryti statinė elektra. Stenkitės nenaudoti ausinių sausose patalpose arba, prieš prijungdami ausines prie prietaiso, palieskite jomis metalinį daiktą, kad įvyktų statinės elektros iškrova;

Naudodami prietaisą eidami ar judėdami, imkitės atsargumo priemonių

- Kad nesužalotumėte ir nesužalotumėte kitų, visada stebėkite aplinką.

Neardykite, nemonifikuokite ir neremontuokite prietaiso patys

- Atlikę bet kokius pakeitimus ar modifikacijas (įskaitant ir gamintojo programinės įrangos nesankcionuotus pakeitimus) neteksite gamintojo garantijos. Sugedusį „eSTAR“ įrenginį nuneškite į artimiausią Autorizuotą „eSTAR“ Serviso Centrą;
- Nedžykitė prietaiso ir nekljuokite ant jo lipdukų.

Prietaiso valymo nurodymai:

- Valykite prietaisą ir įkroviklį sausu rankšluosčiu/kempinėle arba specialiai tam skirtomis priemonėmis.
- Nevalykite cheminėmis ar dezinfekavimo priemonėmis.

Nesinaudokite prietaisu, jei ekranas sudaužytas arba sugadintas

- Sudužęs stiklas gali sužeisti jūsų rankas arba veidą. Nuneškite prietaisą pataisyti į „eSTAR“ klientų aptarnavimo centrą.

Prietaisą naudokite tik pagal paskirtį

Naudodami prietaisą viešoje vietoje stenkitės netrukdyti kitiems

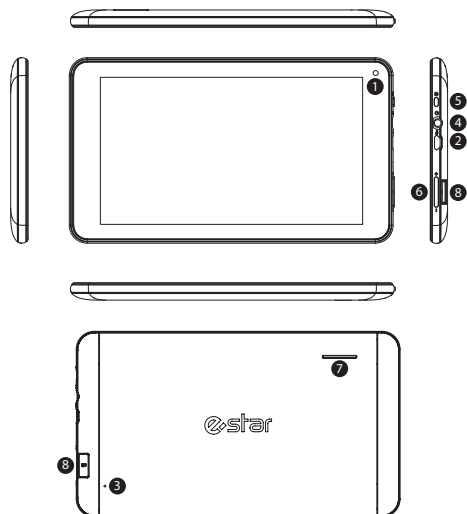
Atsargiai elkitės su SIM ir atminties kortelėmis

- Kortelės netraukite tuo metu, kai prietaisas siunčia ar priima informaciją, nes galite prarasti duomenis ir (arba) sugadinti kortelę arba prietaisą.
- Saugokite korteles nuo smūgių, statinio elektros krūvio ir kitų prietaisų keliamo elektrinio triukšmo.
- Nelieskite aukso spalvos atminties kortelės kontaktų ar gnybtų pirštais ar metaliniais daiktais. Jei išsipurvino, nuvalykite kortelę minkštu audiniu.

Apsaugokite asmeninius ir kitus svarbius duomenis

- Naudodami įrenginį, nepamirškite padaryti atsarginių svarbių duomenų kopijų. „eSTAR“ neatsako už prarastus duomenis;
- Perduodant įrenginį remontuoti Autorizuotam „eSTAR“ Serviso Centru, jei įmanoma, padarykite svarbių duomenų kopijas ir ištrinkite Jums svarbią informaciją. „eSTAR“ neatsako už prarastus duomenis;
- Prieš atstatant įrenginio programinę įrangą į pradinis gamintojo nustatytums („Factory Reset“) pasirūpinkite svarbių duomenų kopijomis;
- Nusprendę užtikrinti savo įrenginį, įsitinkinkite, kad jame neliko jokių Jums svarbių ar asmeninio pobūdžio informacijos;
- Įvykus vagystei arba pametus įrenginį, nepamirškite pakeisti savo paskyrų slaptažodžius, kad apsaugotumėte savo asmeninio pobūdžio informaciją.

Pagrindiniai įrenginio komponentai



	Funkcija/paaiškinimas
1.	Priekinė fotoaparato/vaizdo kamera
2.	USB jungtis (USB Socket)
3.	Reset
4.	Ausinių jungtis
5.	Ijungimo/išjungimo mygtukas (Power button)
6.	Garsumo reguliavimo mygtukas (VOL+/VOL-button)
7.	Garsiakalbiai
8.	Micro SD(HC) kortelės lizdas

Akumuliatoriaus įkrovimas




- Prieš naudojant įrenginį pirmą kartą, pilnai įkraukite jo akumuliatorių
- Naudokite tik „eSTAR“ įkroviklius, skirtus būtent Jūsų įrenginiui. Kiti įkrovikliai gali nepataisomai sugadinti Jūsų įrenginį.

Įrenginio įjungimas/išjungimas

- Norėdami įjungti įrenginį, spauskite Įjungimo/Išjungimo (Power) mygtuką. Jei neįsijungia, patikrinkite ar įrenginys įkrautas;
- Pirmą kartą įjungus prietaisą, nustatykite jį pagal ekrane pateikiamus vedlio nurodymus. Norint naudotis programomis, kurios sąveikauja su „Google™“, turite sukurti naują arba registruotis su jau esama „Google Account“ paskyra;
- Norint išjungti įrenginį, spauskite Įjungimo/Išjungimo (Power) mygtuką.

Pastaba: Norint atstatyti įrenginio programinės įrangos nustatymus į pradinius, pavyzdžiui, užstrigus programai, spauskite ir laikykite Įjungimo/Išjungimo (Power) mygtuką tol, kol įrenginys persikraus.

Įrenginio jungimasis prie interneto

- Norėdami įrenginį prijungti prie interneto, pasitelkite WiFi (WLAN) funkciją:  →  Settings →  WLAN-ON. Prisijungiant prie atitinkamos WiFi (WLAN) prieigos, gali būti reikiami įvesti slaptažodžiai;
- Jeigu įrenginys turi galimybę naudoti mobiliuosius duomenis (2G/3G/4G), šią funkciją galite įjungti: Settings-Mobile data-ON. Dėl tolimesnės konfigūracijos instrukcijos, kreipkitės į Jūsų mobiliojo ryšio paslaugos operatorių. Dėmesio! Už prisijungimą ir duomenų atsiuntimą, gali būti taikomi papildomi mokesčiai. Išsamesnę informaciją apie tarifus pateiks Jūsų mobiliojo ryšio operatorius.

* „Google“, „Google Play“ yra „Google Inc.“ prekių ženklai.

inteligentnego urządzenia „eSTAR”

Nr modelu:

eSTAR BEAUTY 2 HD Quad Core



e-star

www.estar.eu

Dziękujemy za zakup urządzenia inteligentnego „eSTAR”. Przed początkiem korzystania z urządzenia zalecane jest zapoznanie się z niniejszą krótką instrukcją obsługi. Dokładną instrukcję obsługi znajdziesz na stronie internetowej www.estar.eu.

Konfiguracja programów oraz techniczna nabytego urządzenia „eSTAR” może się różnić od niniejszej krótkiej instrukcji obsługi.

- Informacja, zawarta w niniejszej krótkiej instrukcji obsługi może być zmieniana bez wcześniejszego uprzedzenia. Najnowszą wersję instrukcji znajdziesz na stronie internetowej www.estar.eu.
- Komplet i/albo sprzedawane akcesoria do urządzeń „eSTAR” mogą się różnić w zależności od regionu/kraju;
- Komplet urządzeń i akcesoriów „eSTAR” jest przeznaczony wyłącznie do konkretnego modelu „eSTAR” i może nie być kompatybilny z innymi urządzeniami „eSTAR”;
- „eSTAR” nie ponosi odpowiedzialności za usterki urządzenia, powstałe z powodu używania niekompatybilnych akcesoriów (ładowarek, słuchawek, i in.);
- Dodatkowe akcesoria do urządzenia „eSTAR” można nabyć u przedstawiciela w swoim regionie;
- „eSTAR” nie ponosi odpowiedzialności za brakujące informacje oraz usterki, powstałe na skutek nieprawidłowego korzystania z urządzenia lub na skutek innych nieszczęśliwych wypadków.

Środki zapewniające bezpieczeństwo

W celu bezpiecznego użytkowania urządzenia oraz uniknięcia uszczerbku na zdrowiu oraz usterek, należy przeczytać poniższą informację:

- Korzystanie ze słuchawek przy wysokim poziomie głośności może spowodować uszkodzenie słuchu. Należy ustawić odpowiedni poziom głośności, który pozwoli na uniknięcie uszkodzenia słuchu.
- Ostrzeżenie: Należy unikać wyładowania elektrycznego, pożaru i wybuchów;
- Nie należy dotykać urządzenia „eSTAR” i jego części mokrymi rękoma, nie korzystaj ze sprzętu podczas jego ładowania;
- Nie ciągnij ładowarkę za przewód;
- Zabrania się zginania, uszkodzenia przewodu zasilającego w jakikolwiek inny sposób;
- Zabrania się ładowania urządzenia uszkodzoną ładowarką;
- Zabrania się rzucania i uderzania ładowarki i urządzenia;
- Zabrania się korzystania z urządzenia podczas burzy – może to mieć znaczący wpływ na działanie urządzenia, jak też zwiększa ryzyko porażenia prądem elektrycznym;
- Kategorycznie zabrania się samodzielnego demontażu urządzenia;
- Podczas usuwania zanieczyszczeń z ekranu komputera lub smartfonu zabrania się używania alkoholu, rozcieńczacza i benzenu, gdyż mogą one spowodować trwałe uszkodzenie ekranu urządzenia;
- Większość produktów „eSTAR” nie są odporne na działanie wilgoci i wody, dlatego też używanie urządzenia „eSTAR” w takich warunkach może doprowadzić do trwałych uszkodzeń;
- Nie należy naciskać ekranu komputera lub smartfona zbyt mocno – może to spowodować uszkodzenia urządzenia
- Nie należy korzystać z urządzenia podczas jazdy. Może to spowodować wypadek drogowy.

Chroń środowisko. Zadbaj o właściwą utylizację urządzenia „eSTAR”

- Podczas utylizacji urządzeń przestrzegaj obowiązujących zasad i przepisów.
- Używaj baterii i ładowarek „eSTAR” specjalnie przystosowanych do Twojego urządzenia. Używanie niekompatybilnych ładowarek może spowodować poważne uszkodzenia lub całkowite zniszczenie urządzenia.
- Nieużywane urządzenia nie należy spalać.
- Nie należy umieszczać urządzenia na urządzeniach grzewczych, na przykład, na kuchence mikrofalowej, piecach i grzejnikach. Zbyt mocno przegrzana bateria może wybuchnąć.
- Nie należy ugniatać ani przebijać urządzenia. Upewnij się, że urządzenie nie jest zbyt mocno uciskane z zewnątrz – może to spowodować wewnętrzne zwarcie lub przegrzanie urządzenia.



Niniejszy symbol, widniejący na urządzeniu, akcesoriach lub dokumentacji oznacza, że urządzenie i jego akcesoria elektroniczne (na przykład, ładowarka, słuchawki, kabel USB i in.) nie powinny być wyrzucane razem z innymi odpadami domowymi. UŻYTKOWNIKU – zadбай o siebie i otaczające Cię środowisko i skorzystaj z okazji do ochrony przyrody dla przyszłych pokoleń. Segreguj śmieci oraz oddaj je do recyklingu.

- Informację osobom prywatnym o dostarczeniu odpadów elektronicznych do miejsca bezpiecznego recyklingu udzieli sprzedawca urządzenia (sklep, sklep elektroniczny, i in.) lub władze lokalne;
- Osoby prawne w sprawie dostarczenia odpadów elektronicznych do bezpiecznego recyklingu powinny się skontaktować z dostawcą danego urządzenia, lub, w wypadku posiadanej podpisanej umowy o recyklingu – przekazać przedmioty bezpośrednio do utylizacji.



Znak CE (ang. „CE Marking”), widoczny na urządzeniu (lub opakowaniu) oznacza, że ten produkt spełnia wymagania Unii Europejskiej dotyczące bezpieczeństwa, zdrowia i ochrony środowiska naturalnego.



Znak RoHS oznacza, że części urządzenia zostały wykonane z materiałów pochodzących z recyklingu.

Ważne informacje

- Bateria zostanie w pełni naładowana dopiero po 2-3 cyklach rozładowania i ponownego załadowania.
- Temperatury ekstremalne (ciepło/zimno) mogą zdeformować urządzenie i wpłynąć na poziom naładowania baterii, co z kolei może spowodować krótszy czas korzystania z urządzenia.

Korzystanie z urządzenia w miejscach lub pomieszczeniach, gdzie jest to ograniczone

Uwaga: w wypadku korzystania z urządzenia w miejscach objętych ograniczeniami, należy przestrzegać wszystkich ostrzeżeń i instrukcji dotyczących bezpieczeństwa.

- W miejscach, gdzie korzystanie z urządzenia jest zabronione, należy je wyłączyć;
- Nie korzystaj z urządzenia w pobliżu innych urządzeń elektronicznych;
- Większość urządzeń elektronicznych używa sygnałów radiowych. Twoje urządzenie może zakłócać pracę innych urządzeń;
- Zabrania się zbliżać urządzenie do rozrusznika serca. Jeżeli jest to możliwe, należy korzystać z urządzenia na odległość nie mniejszą niż 15 cm od rozrusznika serca, gdyż urządzenie może zakłócić pracę rozrusznika serca. Aby temu zapobiec, należy używać urządzenia po innej stronie ciała, z dala od rozrusznika;
- Nie należy używać urządzenia w szpitalach lub w pobliżu urządzeń medycznych, których częstotliwość sygnałów radiowych może zostać zakłócona;
- W wypadku używania jakiegokolwiek sprzętu medycznego, należy skontaktować się z jej producentem oraz dowiedzieć się, czy dane urządzenie elektronicznie nie zakłóci pracy urządzenia medycznego;
- W pobliżu miejsc zagrożonych wybuchem urządzenie należy wyłączyć;
- W miejscu zagrożonym wybuchem należy zawsze przestrzegać instrukcji i ostrzeżeń;
- Zabrania się używania urządzenia podczas tankowania paliwa (na stacjach benzynowych), w pobliżu paliw lub chemikaliów;
- Urządzenie, jego części i akcesoria należy trzymać z dala od płynów i gazów łatwopalnych oraz materiałów wybuchowych;
- Bezpieczna jazda jest Twoją główną odpowiedzialnością. Zabrania się korzystania z urządzenia podczas jazdy, jeżeli zostało to podane w przepisach;
- Należy wyłączyć urządzenie podczas startu oraz lądowania samolotu. Urządzenie może zakłócić pracę systemu nawigacyjnego samolotu.

Odpowiednia konserwacja i użytkowanie produktów „eSTAR”

Chronić urządzenie przed wilgocią

- Wilgoć oraz wszelkiego rodzaju płyny mogą nieodwracalnie uszkodzić części lub całe urządzenie;
- Nie należy włączać urządzenia, jeżeli jest wilgotne. Jeżeli urządzenie już jest włączone, należy je natychmiast wyłączyć i wyjąć baterię. Jeżeli urządzenie się nie wyłącza lub wyjęcie baterii nie jest możliwe, należy nic nie robić, wysuszyć urządzenie ręcznikiem oraz zawieźć do centrum serwisowego;
- Usterki, powstałe na skutek wilgoci, nie są objęte gwarancją.

Nie należy używać i przechowywać urządzenia w miejscach zapyłonych i brudnych

- Pył może powodować usterki w pracy urządzenia.

Nie należy przechowywać urządzenia na powierzchniach pochyłych

- Urządzenie może spaść oraz zostać uszkodzone.

Nie należy przechowywać urządzenia w miejscach gorących lub zimnych

- Korzystanie z urządzenia jest możliwe w temperaturze od -20 do +45°C;
- Urządzenie, pozostawione w czasie upałów w zamkniętym samochodzie może wybuchnąć, gdyż temperatura w samochodzie może osiągnąć +80 °C;
- Nie należy przechowywać urządzenia w miejscu narażonym na działanie promieni słonecznych (na przykład, na desce rozdzielczej samochodu);

Nie należy przechowywać urządzenia w pobliżu pola magnetycznego

- Działanie pól magnetycznych może zakłócić działania urządzenia albo spowodować rozładowanie akumulatora;

Nie należy przechowywać urządzenia w pobliżu grzejników oraz na nich, na przykład, na kuchence mikrofalowej, sprzęcie do gotowania lub pojemnikach wysokiego ciśnienia

- Urządzenie może się przegrzać, spowodować pożar albo wybuch.

Nie należy upuszczać bądź uderzać urządzenia

- Może to spowodować uszkodzenia ekranu;
- Wyginane i deformowane urządzenie może zostać uszkodzone lub jego części mogą przestać działać prawidłowo.

Nie należy dopuszczać do kontaktu urządzenia z innymi metalowymi rzeczami: monetami, kluczami, łańcuszkami

- Mogą one porysować ekran urządzenia.

Należy chronić oczy przed szkodliwym błyskiem światła

- Pomieszczenie, w którym używa się urządzenie, powinno być przynajmniej minimalnie oświetlone. Nie należy ustawiać ekranu w pobliżu oczu;
- Długie oglądanie filmów lub gra w gry komputerowe, z powodu ekspozycji na światło, może spowodować chwilowe osłabienie wzroku. Po wystąpieniu nieprzyjemnych objawów należy niezwłocznie wyłączyć urządzenie

Należy zmniejszyć ryzyko obrażeń spowodowanych powtarzalnymi ruchami

- Podczas ciągłego wykonywania tych samych czynności: naciskanie tych samych klawiszy, pisanie tekstu, gra w gry komputerowe, może spowodować wystąpienie dolegliwości w rękach, szyi, plecach i innych częściach ciała. Podczas długotrwałego korzystania z urządzenia należy trzymać je odprężoną ręką. Zalecamy robienie regularnych przerw. Jeżeli pomimo to podczas korzystania z urządzenia odczuwane są dolegliwości, należy przerwać korzystanie z urządzenia oraz zwrócić się do lekarza.

Maksymalizacja czasu pracy baterii i ładowarki

- Nie należy zostawiać ładującej się baterii na dłużej niż tydzień, gdyż przeladowanie skraca jej

- żywotność;
- Z czasem długo nieużywana bateria rozładowuje się samoistnie. Przed korzystaniem z urządzenia należy ją ponownie załadować;
- Nieużywane ładowarki należy odłączyć.

Podczas korzystania ze słuchawek należy chronić swój słuch

- Głośny dźwięk może spowodować uszkodzenia słuchu;
- Duża głośność podczas prowadzenia samochodu może odwrócić uwagę i spowodować wypadek;
- Przed włączeniem słuchawek do źródła dźwięku należy zmniejszyć poziom głośności. Należy ustawić minimalne parametry głośności do rozmów i słuchania muzyki;
- Podczas przebywania w suchym pomieszczeniu w słuchawkach może się gromadzić ładunek elektryczny. Należy starać się nie używać urządzenia w suchych pomieszczeniach, albo, przed podłączeniem słuchawek do urządzenia, należy nimi dotknąć metalową powierzchnię, co spowoduje rozładowanie energii.

Należy zadbać o bezpieczne korzystanie z urządzenia podczas poruszania się

- Aby uniknąć obrażeń ciała i uszkodzeń, należy zawsze zwracać uwagę na otaczające środowisko.

Nie należy samodzielnie demontować, modyfikować i naprawiać urządzenia

- Wprowadzanie jakichkolwiek zmian i modyfikacji (w tym samowolne zmiany oprogramowania) skutkuje utratą gwarancji. Uszkodzony produkt „eSTAR” należy oddać do najbliższego Autoryzowanego Centrum Serwisowego „eSTAR”.
- Nie należy malować urządzenia oraz naklejać na nie naklejki.

Instrukcja czyszczenia urządzenia:

- • Urządzenie i ładowarkę należy czyścić suchym ręcznikiem/gąbką albo przy pomocy specjalnie do tego przeznaczonych środków.
- • Nie należy używać środków chemicznych i detergentów.

Nie należy korzystać z urządzenia, jeśli ekran jest roztrzaskany lub uszkodzony

- • Rozbite szkło może poranić ręce lub twarz. Należy zanieść urządzenie do centrum obsługi klienta „eSTAR”.

Urządzenie należy używać zgodnie z przeznaczeniem.

Podczas korzystania z urządzenia w miejscu publicznym nie należy przeszkadzać innym.

Bądź ostrożny z kartą SIM i kartami pamięci

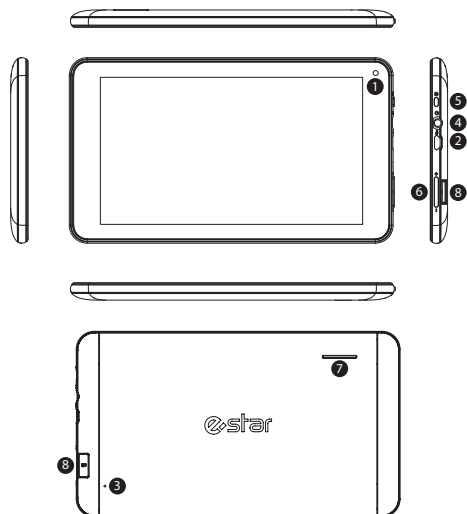
- Nie należy wybierać karty w momencie, gdy urządzenie wysyła lub pobiera informację, gdyż informacja może zostać stracona, a karta lub urządzenie – uszkodzone.
- Należy chronić karty przed wstrząsami, ładunkami elektrostatycznymi i zakłóceniami elektrycznymi, powodowanymi przez inne urządzenia.
- Nie należy dotykać połączonych styków karty pamięci palcami ani metalowymi przedmiotami. Jeżeli karty są zabrudzone, należy je oczyścić przy pomocy miękkiego materiału.

Chron swoje prywatne dane oraz inne ważne informacje

- Podczas korzystania z urządzenia nie należy zapominać o stworzeniu zapasowej kopii danych. „eSTAR” nie ponosi odpowiedzialności za utratę danych;
- Jeżeli jest to możliwe, przed przekazaniem urządzenia do Autoryzowanego Centrum Serwisowego „eSTAR”, należy wykonać kopię danych oraz usunąć ważne informacje z pamięci urządzenia. „eSTAR” nie ponosi odpowiedzialności za utratę danych;
- Przed przywróceniem oprogramowania urządzenia do oryginalnej wersji fabrycznej („Factory Reset”) należy wykonać zapasową kopię ważnych danych.
- Przed utylizacją urządzenia należy się upewnić, że nie pozostała na nim żadna ważna i prywatna informacja;
- W przypadku kradzieży albo zgubienia urządzenia, należy zmienić hasła do kont, co uchroni prywatne informacje.

Rozpoczęcie pracy

Podstawowe części składowe urządzenia



	Funkcja/ objaśnienie
1.	Przedni aparat/kamera wideo
2.	Port USB (USB Socket)
3.	Reset
4.	Złącze słuchawek
5.	Przycisk On / Off (Power button)
6.	Przycisk regulacji głośności (VOL+/VOL- button)
7.	Głośniki
8.	Gniazdo karty Micro SD (HC)

Ładowanie baterii




- Przed rozpoczęciem korzystania z urządzenia po raz pierwszy należy w pełni naładować baterię.
- Należy używać jedynie ładowarek „eSTAR”, przeznaczonych do danego urządzenia. Inne ładowarki mogą spowodować trwałe uszkodzenie urządzenia.

Włączanie / wyłączenie urządzenia

- Aby włączyć urządzenie, należy nacisnąć przycisk ON/OFF (Power). Jeżeli urządzenie się nie włącza, należy sprawdzić, czy bateria jest naładowana;
- Podczas pierwszego włączenia urządzenia, należy ustawić parametry zgodnie z instrukcjami kreatora, wyświetlanymi na ekranie. W celu korzystania z aplikacji współpracujących z systemem „Google™”, należy stworzyć konto na „Google Account” lub zarejestrować już istniejące;
- Aby wyłączyć urządzenie, należy nacisnąć przycisk ON/OFF (Power)

Uwaga: Aby przywrócić oryginalne ustawienia oprogramowania, na przykład, w wypadku zawieszenia się programu, należy nacisnąć przycisk On/Off (Power) do czasu, aż urządzenie się zrestartuje.

Połączenie z internetem

- Aby połączyć urządzenie z internetem, należy użyć funkcji WiFi (WLAN):  →  Settings →  WLAN-ON. Połączenie się z konkretną siecią WiFi (WLAN) może wymagać wprowadzenia hasła;
- Jeżeli urządzenie ma opcję korzystania z danych mobilnych (2G/3G/4G), daną funkcję można włączyć przy pomocy: Settings-Mobile data-ON. Dalszą instrukcję konfiguracji udzieli operator telefonii komórkowej. Uwaga! Transmisja i pobieranie danych mogą być przedmiotem dodatkowych opłat. Więcej informacji na temat stawek udzieli operator telefonii komórkowej.

* Google, Google Play są znakami towarowymi Google Inc.

«eSTAR» смарт-устройство

Модель №: eSTAR BEAUTY 2 HD Quad Core



Благодарим Вас за приобретение смарт-устройства «eSTAR». Перед началом использования, рекомендуем прочитать данное краткое руководство пользователя. Подробную инструкцию найдете на сайте www.estar.eu.

Содержание краткого руководства пользователя может отличаться от Вами приобретенной модели «eSTAR» программным и аппаратным обеспечением;

- Информация, представленная в кратком руководстве пользователя, может быть изменена без предварительного уведомления. Последняя версия доступна на сайте www.estar.eu;
- Комплектация продуктов и/или продаваемые аксессуары «eSTAR» могут отличаться в зависимости от региона/страны;
- Комплектация продуктов «eSTAR» предназначена именно для той модели и может быть несовместима с другими продуктами «eSTAR»;
- «eSTAR» не несет ответственности за неисправности устройства, вызванные использованием несовместимых аксессуаров (зарядных устройств, наушников или др.);
- Дополнительные аксессуары, совместимые с продуктами «eSTAR», можете приобрести у регионального представителя «eSTAR»;
- «eSTAR» не несет ответственности за недостающую информацию и неисправности, вызванные некорректным использованием аппаратного и программного обеспечения, или другие несчастные случаи.

Меры по обеспечению безопасности

Для безопасного использования устройства, во избежание травм и неисправностей, прочитайте данную информацию:

- Использование наушников при высокой громкости, может привести к нарушению слуха. Пожалуйста, отрегулируйте звук так, чтобы он не вредил вашему слуху;
- Предупреждение: избегайте поражения электрическим током, возгорания и взрыва;
- Не касайтесь устройства «eSTAR», а также его частей влажными руками, не используйте устройство во время зарядки;
- Не тяните за провод зарядного устройства;
- Не сгибайте и другими способами не повреждайте провод электропитания;
- Не заряжайте устройство неисправным или поврежденным зарядным устройством;
- Не бросайте и не ударяйте зарядное устройство или само устройство.
- Не используйте устройство во время грозы – это может повлиять на работу устройства и увеличить риск поражения электрическим током;
- Ни в коем случае не разбирайте устройство самостоятельно;
- При чистке экрана планшета или смартфона, не используйте средства, содержащие алкоголь, растворитель или бензол, это может необратимо повредить экран устройства;
- Большинство продуктов «eSTAR» неустойчивы к воздействию влаги и воды, используя продукты «eSTAR» в таких условиях, устройство может быть непоправимо испорчено;
- Не нажимайте на экран планшета или смартфона слишком сильно – это может привести к его повреждению;
- Не используйте устройство во время вождения – это может привести к дорожно-транспортному происшествию.

Берегите окружающую среду. Позаботьтесь о надлежащей утилизации продукта «eSTAR»

- При утилизации устройства, руководствуйтесь местными правилами и требованиями.
- Используйте подтвержденные «eSTAR» аккумуляторы и зарядные устройства, разработанные специально для Вашего устройства. При использовании несовместимых зарядных устройств, вы можете значительно повредить или испортить устройство.
- Не кладите устройства на обогревательные приборы, например, на микроволновую печь, плиту или радиатор. От чрезмерного нагревания аккумуляторы могут взорваться.
- Не сдавливайте и не прокалывайте устройство. Позаботьтесь, чтобы устройство не находилось под давлением с внешней стороны – это может привести к внутреннему короткому замыканию или к перегреву устройства.



Данный символ на устройстве, его аксессуарах или в документации указывает на то, что неиспользуемые устройства или его электронные аксессуары (напр.: зарядное устройство, наушники, USB-кабель или др.) нельзя утилизировать вместе с другими бытовыми отходами. **ПОЛЬЗОВАТЕЛЬ**, береги себя и окружающую среду, воспользуйся возможностью внести свой вклад в сохранение природы для будущих поколений, сортируй отходы и передавай их на переработку.

- Частные лица за информацией, куда и как доставить такие электронные отходы для безопасной переработки, должны обращаться к продавцу устройств (магазин, интернет-магазин или др.) или к местным органам управления;
- Юридические лица за информацией, куда и как доставить такие электронные отходы для безопасной переработки, должны обращаться к поставщику данного оборудования или, если они заключили соглашение с организацией по утилизации электронных отходов, отдать на переработку напрямую.



Маркировка CE (англ. «CE Marking») на продукте (или на его упаковке) указывает на то, что этот продукт отвечает требованиям Европейского союза к безопасности, здоровью и безопасности окружающей среды.



Знак RoHS указывает на то, что детали изготовлены из переработанного сырья.

Важная информация

- Аккумулятор будет полностью заражен, когда вы его разрядите и зарядите 2-3 раза.
- Экстремальные температуры (жара/холод) могут деформировать Ваше устройство и сократить заряд батареи, это может повлиять на срок службы устройства.

Использование устройства в ограниченных местах и помещениях

Предупреждение: при использовании устройства в ограниченных местах, соблюдайте все правила техники безопасности.

- Всегда выключайте устройство там, где запрещается им пользоваться;
- Не используйте устройство вблизи других электронных приборов;
- Большинство электронных приборов используют радиочастотные сигналы. Ваше устройство может мешать другим электронным устройствам.
- Не приближайте устройство к кардиостимулятору. По возможности, старайтесь не использовать его ближе, чем в 15 см от кардиостимулятора, т.к. устройство может нарушить работу кардиостимулятора. Во избежание этого, устройство держите с противоположной стороны от стимулятора.
- Не используйте устройство в больнице или возле медицинского оборудования, которому могут мешать радиочастоты;
- Если используете какое-либо медицинское оборудование, свяжитесь с производителем оборудования и убедитесь, что радиочастоты Вашего устройства не мешают работе;
- Выключайте устройство вблизи потенциально взрывоопасных мест;
- Всегда следуйте указаниям, инструкциям и знакам в местах потенциальной взрывоопасности;
- Не пользуйтесь устройством, во время заправки топливом (на АЗС) или возле горючих, химических веществ;
- В месте, в котором находится устройство, его части или аксессуары, не должно храниться никаких горючих жидкостей, газа или взрывоопасных веществ;
- Безопасное вождение является Вашей основной обязанностью. Никогда не используйте устройство во время управления автомобилем, если это запрещено правилами;
- Выключите устройство при взлете и посадке самолета. Устройство может мешать работе навигационной системы самолета.

Сохраняйте устройство сухим

- Влага и различные виды жидкостей могут необратимо повредить части устройства или сам продукт;
- Не включайте устройство, если он влажный. Если устройство уже включено, немедленно выключите его и выньте батарею. Если устройство не выключается или Вы не можете вынуть батарею, ничего не делайте, просто вытрите устройство полотенцем и отнесите в сервисный центр;
- На неисправности, вызванные влагой, гарантия производителя не распространяется.

Не используйте и не храните устройство в пыльных и загрязненных местах

- Пыль, попавшая в устройство, может нарушить его работу.

Не храните устройство на наклонной поверхности

- Если устройство соскользнет и упадет, оно может повредиться.

Не храните устройство в жарких или холодных местах

- Устройство используйте при температуре $-20 +45^{\circ}\text{C}$;
- В жаркую погоду, оставленное устройство в закрытом транспортном средстве может взорваться, т.к. температура внутри автомобиля может достигать $+80^{\circ}\text{C}$;
- Не оставляйте устройство на длительное время под прямыми солнечными лучами (например, на панели автомобиля);

Не храните устройство вблизи магнитных полей

- Из-за воздействия магнитных полей, устройство может начать плохо работать или может разрядиться аккумулятор;

Не кладите устройство возле обогревателей или на них, а также на микроволновую печь, оборудование для приготовления пищи или на контейнеры с высоким давлением

- Устройство может перегреться, вызвать возгорание или взорваться.

Не допускайте падения и ударов по устройству

- Можете разбить экран устройства;
- При сгибании и деформировании устройство может быть повреждено или его части могут начать работать неисправно.

Не допускайте, чтобы Ваше устройство касалось других металлических предметов: монет, ключей, цепочек

- Устройство или его экран может поцарапаться.

Берегите глаза от вредного воздействия световых вспышек

- Помещение, в котором используете устройство, должно быть, хотя бы минимально, освещено, не приближайте экран слишком близко к глазам.
- Долгий просмотр фильмов или игра в видеоигры, из-за яркой освещенности, может временно ослабить зрение. Почувствовав неприятные симптомы, сразу же выключите устройство.

Снизьте риск получения травмы от повторяющихся движений

- Постоянно выполняя одни и те же движения: нажимая те же клавиши, вводя текст, играя в игры, может появиться неприятное ощущение в руках, шее, плечах или других частях тела. Во время долгого пользования устройством, держите его расслабленной рукой, не напряженно, советуем делать регулярные перерывы. Если используя устройство, все равно чувствуете неприятные симптомы, перестаньте пользоваться устройством и обратитесь к врачу.

Обеспечьте максимальный срок использования аккумулятора и зарядного устройства

- Не оставляйте аккумулятор заряжаться дольше, чем на неделю, т.к. избыточная зарядка может сократить срок его использования.

- Со временем неиспользуемые аккумуляторы разряжаются и перед использованием должны быть снова заряжены.
- Неиспользуемые зарядные устройства отключайте от сети электропитания.

Берегите слух, во время использования наушников

- Громкий звук может вызвать нарушение слуха;
- Громкий звук во время вождения может отвлечь внимание и привести к аварии;
- Всегда уменьшайте громкость, перед тем как подключить наушники к источнику звука. Установите минимальный уровень звука, необходимый для разговора или прослушивания музыки;
- Если вы находитесь в сухом помещении, в наушниках может образоваться статическое электричество. Старайтесь не использовать наушники в сухом помещении или, перед подключением наушников к устройству, прикоснитесь ими к металлическому предмету, чтобы произошел разряд статического электричества;

Используя устройство во время ходьбы или движения, принимайте меры предосторожности

- Чтобы избежать травм и не нанести их другим, всегда следите за происходящим.

Не разбирайте, не модифицируйте и не ремонтируйте устройство сами

- Выполнив любые изменения или модификации (включая несанкционированные изменения в программном обеспечении производителя), потеряете гарантию производителя. Неисправное устройство «eSTAR» отнесите в ближайший уполномоченный сервисный центр «eSTAR»;
- Не красьте устройство и не клейте на него наклейки.

Указания по чистке устройства:

- Очищайте устройство и зарядное устройство сухим полотенцем/губкой или специальными для этого средствами.
- Не очищайте химическими или дезинфицирующими средствами.

Не пользуйтесь устройством, если экран разбит или испорчен

- Разбитое стекло может поранить ваши руки или лицо. Отнесите устройство в центр обслуживания клиентов «eSTAR» для ремонта.

Используйте устройство только по назначению

Используя устройство в общественном месте, старайтесь не мешать другим

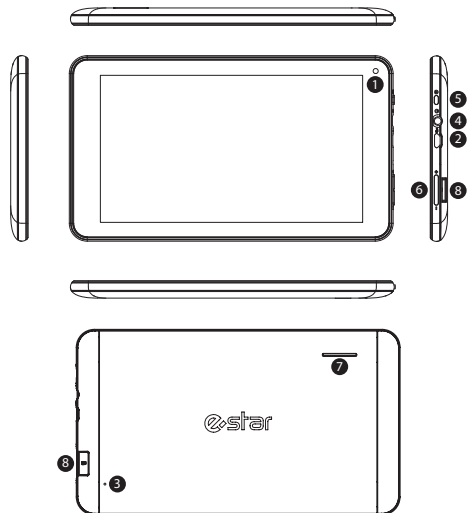
Будьте осторожны с SIM картой и картой памяти

- Не вытаскивайте карточку, когда устройство высылает или получает информацию, т.к. можете потерять данные и (или) повредить карточку или устройство.
- Берегите карты от ударов, статического электричества и другими устройствами вызванных электрических помех.
- Не прикасайтесь к золотистым контактам или клеммам карты памяти пальцами или металлическими предметами. Если загрязнилось, протрите карточку мягкой тканью.

Защитите ваши личные и другие важные данные

- Используя устройство, не забудьте сделать резервную копию важных данных. «eSTAR» не несет ответственности за потерянные данные;
- Сдавая устройство в ремонт в уполномоченный сервисный центр «eSTAR», если возможно, сделайте копии важных данных и удалите важную для Вас информацию с устройства. «eSTAR» не несет ответственности за потерянные данные;
- Перед восстановлением программного обеспечения устройства к заводским настройкам («Factory Reset») позаботьтесь о резервных копиях важных данных;
- Решив утилизировать свое устройство, убедитесь, что в нем не осталось никакой важной для Вас или личной информации;
- При краже или потере устройства, не забудьте поменять пароли своих учетных записей, чтобы защитить личную информацию.

Основные компоненты устройства



	Функция/пояснение
1.	Фронтальная фото/видео камера
2.	USB разъем (USB Socket)
3.	Reset
4.	Разъем для наушников
5.	Кнопка включения/ выключения (Power button)
6.	Кнопка регулировки громкости (VOL+/VOL-button)
7.	Динамики
8.	Гнездо карты Micro SD(HC)

Зарядка аккумулятора

- Перед первым использованием устройства, полностью зарядите аккумулятор;
- Используйте зарядные устройства только «eSTAR», которые подходят именно для Вашего устройства. Другие зарядные устройства могут привести к необратимому повреждению устройства..

Включение/выключение устройства

- Для включения устройства, нажмите кнопку Включение/Выключение (Power). Если не включается, проверьте, заряжено ли устройство;
- Включив устройство в первый раз, установите его по инструкциям на экране. Для того, чтобы использовать приложения, взаимодействующие с «Google™», необходимо зарегистрировать новую, или зайти в уже имеющуюся учетную запись «Google Account»;
- Для отключения устройства, нажмите кнопку Включение/Выключение (Power).

Примечание: Для восстановления программного обеспечения к заводским настройкам, например, в случае, если программа застряла, нажмите и держите кнопку Включение/Выключение (Power) пока устройство не перезагрузится.

Подключение устройства к интернету

- Для подключения устройства к интернету, примените функцию WiFi (WLAN): → Settings → WLAN-ON. Подключаясь к соответствующему доступу WiFi (WLAN), возможно понадобится ввести пароль;
- Если устройство имеет возможность использовать мобильные данные (2G/3G/4G), эту функцию можете включить так: Settings-Mobile data-ON. Для дальнейших инструкций по настройке, пожалуйста, обратитесь к оператору мобильной связи. Внимание! За подключение и загрузку данных, может взиматься дополнительная плата. Более подробную информацию о тарифах предоставит Ваш оператор мобильной связи.

* Google, Google Play являются товарными знаками корпорации Google Inc.

„eSTAR“ okoskészülék
Modell Nr.:
eSTAR BEAUTY 2 HD Quad Core



e-star

www.estar.eu

Köszönjük, hogy az „eSTAR“ okoskészüléket választotta. Használat előtt feltétlenül olvassa el ezt a rövid használati útmutatót. A részletes utasításokat a weboldalon találhatja meg - www.estar.eu.

A rövid használati útmutató tartalma eltérhet a megvásárolt „eSTAR“ modell hardverétől és szoftverétől;

- Az információ a rövid használati utasításban előzetes értesítés nélkül módosulhat. A legújabb verzió elérhető online a következő weboldalon - www.estar.eu;
- A termékek felszerelése és / vagy eladó „eSTAR“ kiegészítők különbözhetnek országtól / térségtől függően;
- Az „eSTAR“ termékek tartozékai kifejezetten az adott modellre vannak tervezve, más „eSTAR“ termékekhez nem alkalmasak;
- „eSTAR“ nem vállal felelősséget a termék meghibásodásáért, amelyet összeférhetetlen tartozékok használata okozta (töltő, fejhallgató, vagy más.);
- Az opcionális tartozékok, amelyek összeférhetőek az „eSTAR“ termékeivel, megvásárolhatóak a regionális „eSTAR“ képviselőjénél;
- „eSTAR“ nem felelős a hiányzó információkért és meghibásodásokért, amelyeket a termék helytelen használata okozta, vagy más balesetekért.

Biztonsági intézkedések

Az eszköz biztonságos használata érdekében, hogy elkerülje a sérüléseket és meghibásodásokat, olvassa el a következő információt:

- A fejhallgató nagy hangerőn halláskárosodást okozhat. Kérjük, szabályozza be a hangot úgy, hogy ne károsítsa a hallását;
- Figyelem: kerülje az áramütést, a gyújtást és a robbanást;
- Ne érintse meg az „eSTAR“ készüléket, valamint annak részeit nedves kézzel, ne használja a készüléket töltés közben;
- Ne húzza a töltőszinort;
- Ne törje vagy rongálja a tápkábelt;
- Ne töltsen az eszközt hibás vagy sérült töltővel;
- Ne ejtse le a töltőt vagy magát a készüléket.
- Ne használja a készüléket vihar idején - az hatással lehet a készülék működésére, és növeli az áramütés lehetőségét;
- Ne szerelje szét a készüléket sajátkezűleg;
- Tablett vagy okostelefon képernyőjének a tisztításakor, ne használjunk olyan terméket, amely tartalmaz alkoholt, hígítót vagy benzint, ez károsíthatja a készülék kijelzőjét;
- A legtöbb „eSTAR“ termék nem nedvesség- vagy vízálló, ha az „eSTAR“ termékeket ilyen körülmények között használja, azok javíthatatlanok lesznek;
- Ne nyomja meg a tablettja vagy okostelefonja képernyőjét túl erősen - ez kárt okozhat;
- Ne használja a készüléket vezetés közben - ez balesethez vezethet!

Vigyázzon a környezetre. Gondoskodjon az „eSTAR“ termék megfelelő ártalmatlanításáról

- Amikor a készüléket ártalmatlanítja, nézzen utána a helyi előírásoknak és követelményeknek.
- Használja a bizonyított „eSTAR“ akkumulátorokat és töltőket, amelyek kifejezetten a készülékéhez vannak ajánlva. Nem kompatibilis töltők használatával, súlyosan károsíthatja vagy eltörheti a készüléket.
- Ne helyezze a készüléket fűtőtestekre, mint például mikrohullámú sütőkre, kályhákra vagy radiátorokra. Az akkumulátor magas hőmérsékletű felmelegedéskor felrobbanhat.
- Ne nyomja össze vagy szűrje meg a készüléket. Gondoskodjon meg arról, hogy a készülék ne legyen külső nyomás alatt - ez belső rövidzárlathoz vagy túlmelegedéshez vezethet.



Ez a szimbólum a készüléken, tartozékain vagy a dokumentációban azt jelzi, hogy a készülék használatlan és elektronikus tartozékait (pl.: Töltő, fejhallgató, USB-kábel vagy hasonló.) tilos a háztartási hulladékkal együtt megsemmisíteni. **FELHASZNÁLÓ**, vigyázzon magára, és a környezetre, ragadja meg a lehetőséget hogy hozzájáruljon a természet megmentéséhez a jövő nemzedékek számára, válogassa a hulladékot és küldje

el újrahasznosításra.

- Magánszemélyek arról, hogy hova és hogyan kell szállítani ilyen elektronikai hulladékokat biztonságos újrahasznosításra, az eladójuktól értesülhetnek (boltban, online áruház, vagy mások.) vagy az önkormányzattól;
- Jogi személyek arról, hogy hova és hogyan kell szállítani ilyen elektronikai hulladékokat biztonságos újrahasznosításra, forduljanak a készülék kereskedőjéhez, vagy ha az általuk kötött megállapodás ezt biztosítja – az elektronikus hulladékot újrahasznosításra közvetlenül a Szervezetnek küldje.



A készülék megfelel az elektromágneses kompatibilitási és a kifeszültségű EU-irányelv előírásainak.



Az RoHS jel azt mutatja, hogy az alkatrészek újrahasznosított anyagokból készültek.

Fontos információ

- Az akkumulátor akkor fog teljesen feltöltődni, ha előtte 2-3szor lemeríti és feltölti.
- A szélsőséges hőmérsékletek (meleg / hideg) torzíthatják a készüléket és csökkenthetik az akkumulátor töltését, ez hatással lehet az eszköz élettartamára.

A termék használata korlátozott helyeken és helyiségekben

Figyelmeztetés: A készülék használatakor korlátozott területeken, tartsa be a biztonsági szabályokat.

- Mindig kapcsolja ki a készüléket ott, ahol tilos használni;
- Ne használja a készüléket más elektronikus eszközök közelében;
- A legtöbb elektronikus eszköz rádiófrekvenciás hullámokat használ. A készülék emiatt zavarhat más elektronikus eszközöket.
- Ne tartsa a készüléket közel a szívritmus-szabályozóhoz. Ha lehetséges, próbálja meg nem használni közelebb, mint 15 cm-re a szívritmus-szabályozótól, mert a készüléke megzavarhatja. Ennek elkerülése érdekében tartuk a készüléket az ellentétes oldalon a szívritmus-szabályozótól.
- Ne használja a készüléket kórházban, vagy orvosi berendezések közelében, amelyeknek megzavarhatja a rádiófrekvenciás hullámjait;
- Ha használ valamilyen orvosi eszközt, lépjen kapcsolatba a készülék gyártójával, és győződjön meg arról, hogy a készülék rádiófrekvenciái nem zavarják az eszközeit;
- Kapcsolja ki a készüléket a robbanásveszélyes helyeken;
- Mindig kövesse az utasításokat, és jeleket robbanásveszélyes helyeken;
- Ne használja a készüléket tankolás közben (a benzinkutakon), vagy üzemanyagok, vegyszerek közelében;
- Azon a helyen, ahol a készülék, annak alkatrészei vagy tartozékai vannak, ne tároljon gyúlékony folyadékot, gázt vagy robbanóanyagot;
- A biztonságos vezetés az Ön első számú felelőssége. Soha ne használja a készüléket vezetés közben, ha szabályai szerint tilos;
- Kapcsolja ki a készüléket a repülőgép felszállásakor és leszállásakor. A készülék zavarhatja a repülőgép navigációs rendszerét.

Megfelelő karbantartás és az „eSTAR“ termék használata

A készüléket tartsuk szárazon

- A nedvesség és a különféle folyadékok maradandó kárt okozhatnak a készülék felszerelésében vagy magában a termékben;
- Ne kapcsoljuk be a készüléket, ha az nedves. Ha a készülék már nedves, azonnal kapcsolja le és vegye ki az akkumulátort. Ha a készülék nem kapcsolódik ki, vagy nem tudja eltávolítani az akkumulátort, ne csináljon semmit, csak törölje le egy törölközővel, és vigye a szervízbe;
- A nedvesség okozta meghibásodásokra a gyártói garancia nem terjed ki.

Ne használja és ne tárolja a készüléket poros, piszkos helyen

- A készülékbe került por megakadályozhatja a megfelelő működését.

Ne tartsa a készüléket lejtős felületen

- Ha a készülék lecsúszik és leesik, megsérülhet és eltörhet.

Ne tartsa a készüléket forró illetve hideg helyen

- A készüléket ezen a hőmérsékleten használja: $-20 +45$ °C;
- Meleg időjárásban, a zárt autóban hagyott készülék könnyen felrobbanhat, mert a hőmérséklet az autóban elérhet akár $+80$ °C;
- Ne hagyja a készüléket hosszú ideig közvetlen napfény alatt (például az auto panelján);

Ne tárolja a készüléket mágneses mezők közelében

- A mágneses mezők hatása miatt, a készülék hibásan működhet, az akkumulátor gyorsan lemerülhet;

Ne helyezze a készüléket fűtőtest közelében, vagy rajtuk, valamint a mikrohullámú sütőkre, konyhai eszközökre vagy nagynyomású tartályokra

- A készülék túlmelegedhet, tüzt, akár robbanást is okozhat.

Ne ejtse vagy üsse meg a készüléket

- Betörhet a készülék képernyője;
- Hajlításkor és más deformációkor a készülék megsérülhet vagy a részei hibásan működhetnek.

Ne engedje, hogy a készüléke bármilyen más fémtárgyakhhoz érjen (pénztermékhez, kulcsokhoz, láncokhoz)

- A készülék vagy a képernyője megkarcolódhatnak.

Védje a szemét a fényvillogások káros hatásaitól

- A helység, amelyben használja a készüléket, legalább minimálisan meg kell hogy legyen világítva, a tartsa a képernyőt túl közel a szeméhez .
- Hosszú filmnézés vagy videójátékok után, az erős fén miatt átmenetileg károsodhat a látása. Ha kellemetlen tüneteket érez, azonnal kapcsolja ki a készüléket.

Csökkentse a sérülésveszélyt az ismétlődő mozgásoktól

- Azonos mozgások folyamatos teljesítésétől: ugyanaz a gomb megnyomásakor, szövegbeíráskor, játszás közben, kellemetlen érzés jelenhet meg a nyakában, kezében, vállában és más testrészeiben. A készülék hosszú használata során tartsák kényelmesen, feszültségmentesen, javasoljuk, hogy rendszeresen tartson kisebb-nagyobb szüneteket. Ha a készülék használata közben továbbra is kellemetlen tüneteket érez, ne használja tovább a terméket és forduljon orvoshoz.

Hosszabbítsa meg a töltők és az akkumulátorok életét

- Ne töltsen egy hétnél tovább az akkumulátort, a túltöltése lerövidítheti annak használati idejét.

- Idővel a használatlan akkumulátor lemerül, használata előtt újra kell tölteni.
- A töltőket, amelyeket nem használja, kerjük, húzza ki a konnektorból.

Vigyázzon a hallására a fejhallgató használata közben

- A hangos zenehallgatás halláskárosodást okozhat;
- Hangos hangforrás vezetése közben elvonhatja a figyelmét és balesetet okozhat;
- Mindig vegyen le a hangerőből, mielőtt csatlakoztatja a fejhallgatót a készülékhez. Állítsa be a minimális hangszintet, amely híváshoz illetve zenehallgatáshoz kell;
- Ha száraz helységben tartózkodik, a fejhallgatóban statikus elektromosság alakulhat. Kerülje a száraz helységekben a fejhallgatók használatát, vagy mielőtt csatlakoztatná a készülékhez, érintse a fejhallgatót valamilyen fémtárgyhoz, hogy merüljön a statikus elektromosság;

Fokozott elővigyázattal használja a készüléket séta illetve mozgás közben

- A sérülések elkerülése érdekében, mindig figyeljen arra, mi történik körülötte.

Ne szerelje szét, ne módosítsa vagy javítsa meg a készüléket sajátkezűleg

- Bármilyen változtatás vagy módosítás után (beleértve bármilyen jogtalan módosítást a gyártó szoftverében), elveszti a gyártói garanciát. A hibás „eSTAR” készüléket „kerjük, vigyék el a legközelebbi „eSTAR” márkaszervizbe;
- Ne fesse be a készüléket és ne ragasszon rá matricát.

Tájékoztató a készülék tisztításáról:

- Tisztítsa a készüléket illetve a töltőt száraz törülközővel/ szivaccsal vagy erre való speciális eszközzel.
- Ne tisztítsa fertőtlenítőszerekkel.

Ne használja a készüléket ,ha a képernyője törött vagy sérült

- A törött üveg sérülést okozhat a kezén illetve az arcán. Vigye el a készüléket az „eSTAR” ügyfélszolgálati központjába javításra.

A készüléket csak a gyárilag tervezett céljaira használja

Ha a készüléket nyilvános helyen használja, igyekezzen nem zavarni másokat

Legyen óvatos a SIM kártyával illetve a memóriakártyával

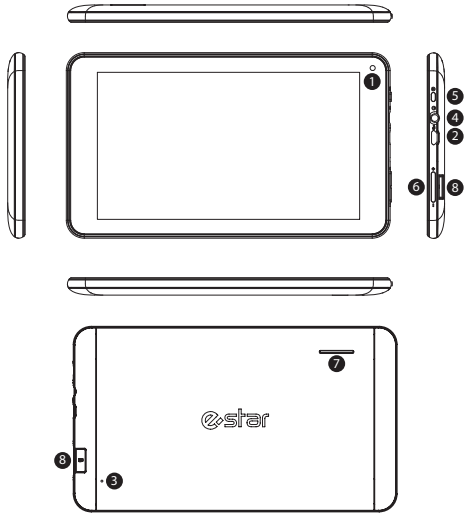
- Ne vegye ki a kártyát, ha a készülék információt küld vagy fogad, elveszithetje az adatokat és (vagy) kárt tehet a kártyában illetve az eszközben.
- Óvja a kártyákat ütésektől és statikus elektromosságtól.
- Ne érintse meg a kártya arany színű érintkezőit kézzel illetve fém tárgyakkal. Ha piszkos, tisztítsa meg a kártyát puha ronggyal.

Védje meg a személyes és egyéb fontos adatait

- A készülék használatakor ne felejtse el biztonsági másolatot készíteni a fontos adatairól. „eSTAR” nem vállal felelősséget az adatok megsemmisüléséért;
- Ha a készüléket javításra leadja az „eSTAR” márkaszervizbe, készítsen másolatot a fontos adatairól illetve törölje az Önnek fontos információt róla. „eSTAR” nem vállal felelősséget az adatok megsemmisüléséért;
- Mielőtt visszaállítja a készülék szoftverét a gyári beállításokra („Factory Reset”) készítsen másolatokat a fontos adatairól ;
- Ha úgy döntött, hogy megsemmisíti a készüléket, győződjön meg arról hogy nem maradt rajta semmilyen személyes információ;
- Abban az esetben, ha elveszti vagy ellopják a készülékét, ne felejtse el megváltoztatni a jelszavait a profiljain a személyes adatok védelmére.

Üzembehelyezés

A készülék fő összetevői



	Funkció / jelentés
1.	Elülső fényképezőgép / videokamera
2.	USB csatlakozó (USB Socket)
3.	Reset
4.	Fejhallgató-csatlakozó
5.	Bekapcsolás/kikapcsolás gomb (Power button)
6.	Hangerő szabályzó gomb (VOL+/VOL- button)
7.	Hangszórók
8.	Micro SD(HC) kártyanyílás

Az akkumulátor töltése

- A készülék első használata előtt töltsék fel az akkumulátort;
- Csak „eSTAR“ töltőket használjon, amelyek alkalmasok az adott készülékhez. Más töltők maradandó károsodást okozhatnak a készülékben.

A készülék be- és kikapcsolása

- A készülék bekapcsolásához nyomja meg a Bekapcs./Kikapcs. gombot (Power). Ha nem kapcsol be, ellenőrizze, fel van-e töltve a készüléke;
- Amikor először kapcsolta be a készüléket, állítsa be a képernyőn megjelenő utasítások alapján. Annak érdekében, hogy használhassa az alkalmazásokat, amelyek együttműködnek a „Google™“-al, regisztrálnia kell egy új fiókot, vagy be kell lépnie a már létező „Google Account“ fiókjába.
- A készülék kikapcsolásához nyomja meg a Bekapcs./Kikapcs. gombot (Power).

Megjegyzés: Ha vissza szeretné állítani a szoftver gyári beállításait, például, ha a program lefagyott, nyomja meg és tartsa a Bekapcs./Kikapcs. gombot (Power), amíg a készülék nem indul újra.

A készülék Internet csatlakozása

- A készülék Internet csatlakoztatásához használja a következő WiFi (WLAN) funkciót: → Settings → WLAN-ON. Ha csatlakozik a megfelelő WiFi (WLAN) hozzáfetéshez, esetleg meg kell majd adnia a jelszót;
- Ha a készülék képes használni mobiladatszolgáltatásokat (2G/3G/4G), a funkciót így tudja aktiválni: Settings-Mobile data-ON. A további beállítási utasításokért forduljon a mobil szolgáltatójához. Figyelem! Az Internet csatlakozás illetve a letöltések extra költségekkel járhatnak. További információért a díjsomagokról forduljon a mobilszolgáltatójához.

* A Google, a Google Play a Google Inc. védjegyei.

„eSTAR“ dispositivo smart
Modelo Nr.:
eSTAR BEAUTY 2 HD Quad Core



e-star

Obrigado por ter adquirido o dispositivo smart „eSTAR”. Antes de começar a utilizá-lo, leia este breve manual do utilizador. O manual do utilizador detalhado está disponível no site www.estar.eu.

O conteúdo do breve manual do utilizador pode diferenciar-se do modelo „eSTAR“ que acabou por adquirir na descrição do software e hardware;

- A informação fornecida no breve manual do utilizador está sujeita a alterações sem aviso prévio. A versão mais recente está disponível no site www.estar.eu;
- Os itens fornecidos com o dispositivo e/ou os acessórios vendidos „eSTAR“ poderão diferir dependendo da região/país;
- Os itens fornecidos com o dispositivo „eSTAR“ estão projectados para um determinado modelo e podem não ser compatíveis com os outros produtos „eSTAR“;
- „eSTAR” não assume qualquer responsabilidade por mau funcionamento do produto causado pela utilização de acessórios incompatíveis (carregador, auriculares ou outros);
- Os acessórios adicionais compatíveis com os produtos „eSTAR“ podem ser comprados através do representante regional do „eSTAR“;
- „eSTAR” não é responsável pela informação em falta e as falhas no funcionamento do dispositivo causadas pelo uso incorrecto de hardware e software, ou por outros acidentes.

Precauções de segurança

Para uma utilização segura do dispositivo, a fim de evitar as lesões e as falhas no funcionamento dele, leia atentamente a informação seguinte:

- O uso de auriculares com um volume alto pode prejudicar a audição. Por favor, ajuste o volume do auricular para um nível seguro para evitar as lesões auditivas;
- Aviso: tome todas as precauções para evitar o choque eléctrico, incêndio e explosão;
- Não toque no dispositivo „eSTAR”, bem como as suas partes com as mãos molhadas, não use o dispositivo durante o carregamento;
- Não puxe o cabo do carregador;
- Não dobre o cabo de alimentação e não o danifique de outras maneiras;
- Não carregue o dispositivo com um carregador danificado ou estragado;
- Não deixe cair e não bata o carregador ou próprio dispositivo.
- Não utilize o dispositivo durante uma trovoadas, isto pode afetar o funcionamento do dispositivo e aumentar o risco de choque eléctrico;
- Em nenhum caso, não tente desmontar o dispositivo sozinho;
- Ao limpar o ecrã do tablet ou smartphone, não use os produtos que contenham álcool, solvente ou benzeno, assim pode danificar irreversivelmente o ecrã do dispositivo;
- A maioria dos produtos „eSTAR” não é resistente à humidade e água; utilizando os produtos „eSTAR“ em tais condições, pode danificar o dispositivo irreparavelmente;
- Não pressione o ecrã do tablet ou smartphone com muita força – isto pode causar dano;
- Não utilize o dispositivo durante a condução - isso pode causar um acidente.

Proteja o meio ambiente. Respeite todas as instruções de reciclagem do produto „eSTAR”

- Ao reciclar o dispositivo, consulte os regulamentos e as exigências locais.
- Use apenas baterias e carregadores „eSTAR” aprovados e projetados especificamente para o seu dispositivo. Ao utilizar os carregadores incompatíveis, pode causar dano e danificar gravemente o dispositivo.
- Não ponha o dispositivo sobre aquecedores, microondas, fogão ou radiador. As baterias podem explodir por causa do calor excessivo.
- Não esmague ou perfure o dispositivo. Certifique-se de que o dispositivo não está sob pressão do exterior – isto pode levar a um curto-circuito interno ou sobreaquecimento do dispositivo.



Este símbolo no dispositivo, os seus acessórios ou na documentação indica que os dispositivos não usados ou o seu equipamento eléctrico (por exemplo: carregador, auriculares, cabo USB e outros) não podem ser reciclados junto com o lixo doméstico comum. O UTILIZADOR, cuide de si mesmo e proteja o meio ambiente, aproveite a oportunidade de contribuir para a conservação da natureza para as gerações futuras,

classifique os resíduos antes de mandá-los para reciclagem.

- Para obter mais informações sobre onde e como entregar esses resíduos electrónicos para reciclagem segura, os indivíduos devem contactar o seu vendedor do dispositivo (loja, loja online ou outros) ou as autoridades locais;
- As entidades jurídicas para obter as informações sobre onde e como entregar esses resíduos electrónicos para reciclagem segura devem entrar em contato com o fornecedor do equipamento. No caso de assinarem um acordo com a organização de utilização de resíduos electrónicos, devem entregar os resíduos para reciclagem diretamente.



A marcação CE (inglês „CE Marking“) no produto (ou na sua embalagem) indica que este produto atende a legislação da União Europeia em requisitos como segurança, saúde e proteção ambiental.



A sigla RoHS indica que todas as peças foram fabricadas de matérias-primas recicladas.

Informação importante

- A bateria será completamente carregada, quando Você a carregar e descarregar 2-3 vezes.
- As temperaturas extremas (calor / frio) podem danificar o seu dispositivo e reduzir a carga da bateria, o que pode afetar o tempo de vida útil do dispositivo.

Utilização do dispositivo em lugares e espaços restritos

Aviso: quando utilizar o dispositivo em áreas restritas, observe todas as regras de segurança.

- Sempre desligue o aparelho onde é proibido utilizá-lo;
- Não utilize o dispositivo perto de outros dispositivos electrónicos;
- A maioria dos dispositivos electrónicos usa os sinais de radiofrequência. O seu dispositivo pode afectar o desempenho destes dispositivos electrónicos.
- Mantenha o dispositivo afastado dos dispositivos médicos implantados. Tente manter a distância mínima de 15 cm entre o dispositivo e o marcapasso cardíaco, porque o dispositivo pode afectar o desempenho dele. Para evitá-lo, mantenha o dispositivo no lado oposto do marcapasso.
- Não utilize o dispositivo em um hospital ou perto do equipamento médico cujo funcionamento pode ser perturbado com as radiofrequências;
- Se Você usa qualquer equipamento médico, contacte o fabricante do equipamento e certifique-se de que as radiofrequências do seu dispositivo não interferem no funcionamento dele;
- Desligue o dispositivo perto de locais potencialmente explosivos;
- Siga sempre as instruções e sinais em áreas potencialmente explosivas;
- Não utilize o dispositivo durante o reabastecimento (no posto de gasolina) ou perto de produtos químicos e inflamáveis;
- No local onde o dispositivo, as suas peças ou acessórios se encontram, não devem estar armazenados quaisquer líquidos inflamáveis, gases ou substâncias explosivas;
- A condução segura é a sua primeira responsabilidade. Nunca utilize o dispositivo durante a condução, se isto é proibido pelo código de estrada;
- Desligue o dispositivo durante a descolagem e aterragem do avião. O dispositivo pode afectar o funcionamento do sistema de navegação do avião.

A manutenção adequada e a exploração do produto „eSTAR“

Mantenha o dispositivo seco

- A humidade e vários tipos de líquidos podem danificar irreversivelmente as peças do dispositivo ou o próprio produto;
- Não ligue o dispositivo se ele estiver molhado. Se o dispositivo já está ligado, desligue-o imediatamente e retire a bateria. Se Você não consegue desligar o dispositivo ou não pode remover a bateria, não faça nada, apenas seque com uma toalha e leve para um centro de assistência técnica;
- A garantia do fabricante não se aplica no caso de defeitos causados pela humidade.

Não utilize nem guarde o dispositivo nos locais sujos e empoeirados

- Pó, ao entrar no dispositivo, pode perturbar o funcionamento dele.

Não guarde o dispositivo numa superfície inclinada

- Se o dispositivo se deslizar e cair, poderá ser danificado.

Não guarde o dispositivo em locais quentes ou frios

- Utilize o dispositivo com a temperatura -20 +45 °C;
- Quando faz muito calor, o dispositivo deixado no veículo fechado pode explodir, porque a temperatura dentro de um carro pode chegar a +80 ° C;
- Não deixe o dispositivo por um longo tempo na luz solar direta (por exemplo, no painel do carro);

Não guarde o seu dispositivo perto dos campos magnéticos

- Devido aos efeitos de campos magnéticos, o dispositivo pode começar a funcionar mal ou a bateria pode ficar descarregada;

Não deixe o dispositivo perto dos aquecedores nem o coloque em cima deles, bem como perto de micro-ondas, equipamentos de cozinha, ou junto aos containers de alta pressão

- O aparelho pode superaquecer, provocar um incêndio ou explosão.

Evite bater e deixar cair o seu dispositivo

- Pode partir o ecrã do dispositivo;
- Se o dispositivo for dobrado ou deformado, será danificado ou as suas partes poderão começar a trabalhar incorretamente.

Não permita que o seu dispositivo toque outros objectos metálicos: moedas, chaves, correntes

- O dispositivo ou o ecrã podem ficar riscados.

Proteja os olhos dos efeitos nocivos da flash

- A sala onde estiver a usar o dispositivo deve ser, pelo menos, minimamente iluminada, não aproxime muito o ecrã aos olhos.
- Se assistir filmes ou jogar jogos de vídeo por longo período de tempo, pode prejudicar temporariamente a sua visão por iluminação forte. Se sentir os sintomas desconfortáveis, imediatamente desligue o dispositivo.

Reduza o risco de lesões por repetir os mesmos movimentos

- Ao realizar constantemente os mesmos movimentos: pressionando as mesmas teclas, introduzindo o texto, jogando jogos, Você pode ficar com uma sensação desagradável nas mãos, pescoço, ombros, ou outras partes do corpo. Durante o uso prolongado do dispositivo, segure-o com a mão relaxada, sem força, recomendamos fazer os intervalos regulares. Se, ao usar o dispositivo ainda continua a sentir os sintomas desagradáveis, pare de usar o dispositivo e consulte o médico.

Para garantir o melhor desempenho e prolongar a vida útil da bateria e carregador

- Não deixe carregar a bateria mais do que uma semana, porque a carga excessiva pode reduzir a vida útil da bateria.

- Com o tempo, as baterias não utilizadas podem descarregar e antes de usá-las é preciso carregá-las novamente.
- Desligue os carregadores não utilizados da tomada de corrente.

Proteja a audição enquanto utilizar os auriculares

- Volume alto pode prejudicar a audição;
- Volume alto durante a condução pode distrair a atenção e causar um acidente;
- Sempre diminua o volume do som antes de conectar os auriculares à fonte de som. Defina o volume mínimo de som necessário para falar ou ouvir a música;
- Se Você se encontra em um ambiente seco, a electricidade estática pode formar-se nos auriculares. Evite usar os auriculares em um ambiente seco ou antes de conectar os auriculares para a unidade, toque num objecto de metal para descarregar a electricidade estática;

Ao usar o dispositivo durante a caminhada ou movimento, tome todas as medidas de precaução

- Para evitar lesões e não traumatizar os outros, sempre observe o que está a acontecer ao redor.

Não desmonte nem modifique ou repare o dispositivo sozinho

- Ao executar quaisquer alterações ou modificações (incluindo as alterações não autorizadas pelo fabricante do software), perderá a garantia do fabricante. No caso de falha no funcionamento do dispositivo „eSTAR” deve dirigir-se ao centro de serviço „eSTAR” autorizado mais próximo;
- Não pinte o dispositivo nem cole os autocolantes.

Indicações sobre a limpeza do dispositivo:

- Limpe o dispositivo e o carregador com uma toalha / esponja seca ou ferramentas especiais indicadas para isso.
- Não limpe com os detergentes químicos e desinfectantes.

Não utilize o dispositivo se o ecrã está quebrado ou estragado

- Vidro partido pode ferir as suas mãos ou rosto. Dirija-se ao centro de apoio ao cliente „eSTAR” para fazer reparação.

Use o dispositivo apenas para o fim indicado

Ao usar o dispositivo no lugar público, tente não incomodar os outros

Tenha cuidado com o cartão SIM e o cartão de memória

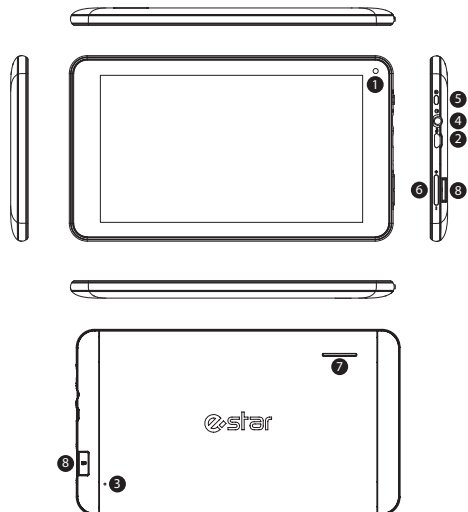
- Não remova o cartão quando o dispositivo envia ou recebe informações, assim pode perder os dados e (ou) danificar o cartão ou o dispositivo.
- Proteja os cartões de choques, electricidade estática e outros dispositivos que podem causar as interferências elétricas.
- Não toque nos contactos dourados ou terminais do cartão de memória com os dedos ou objectos metálicos. Se estiver sujo, limpe o cartão com um pano macio.

Proteja os seus dados pessoais e outros dados importantes

- Ao usar o dispositivo, não se esqueça de fazer uma cópia de segurança dos dados importantes. „eSTAR” não assume a responsabilidade pela perda de dados;
- Antes de se dirigir ao Centro de Assistência Autorizado „eSTAR”, se é possível, copie os dados importantes e apague do dispositivo toda a informação importante para Você. „eSTAR” não é responsável pela perda de dados;
- Antes de recuperar o software do dispositivo conforme as configurações do fabricante („Factory Reset”) faça as cópias de segurança de dados importantes;
- Antes de se desfazer do seu dispositivo, certifique-se de que não tem nenhuma informação importante para Você, ou informações pessoais;
- Em caso de roubo ou perda do dispositivo, não se esqueça de mudar a palavra-passe da sua conta para proteger os dados pessoais.

Início do trabalho

Os componentes principais do dispositivo



	Função / Significado
1.	Câmara de foto/video frontal
2.	Entrada USB (USB Socket)
3.	Reset
4.	Entrada para auricular
5.	Tecla ligar/desligar (Power button)
6.	Tecla de volume (VOL+/ VOL- button)
7.	Altfalantes
8.	Ranhura para o cartão Micro SD(HC)

O carregamento da bateria

- Antes de primeira utilização do dispositivo, carregue totalmente a bateria;
- Use apenas os carregadores “eSTAR”, que são aprovados para o seu dispositivo. Outros carregadores podem causar danos significativos ao dispositivo.

Ligar /desligar o dispositivo

- Para ligar o dispositivo, pressione a tecla ligar/ desligar (Power). Se o dispositivo não estiver ligado, verifique se o dispositivo está carregado;
- Ao ligar o dispositivo pela primeira vez, siga as instruções no ecrã. Para utilizar os aplicativos do “Google™”, é preciso cadastrar-se de novo ou usar uma conta Google já existente „Google Account“;
- Para desligar o dispositivo, pressione a tecla ligar/ desligar (Power).

Nota: Para recuperar as configurações do software do fabricante, por exemplo, caso o programa ficar suspenso, pressione a tecla ligar/ desligar (Power) até que o dispositivo reiniciar.

Para estabelecer a ligação à Internet

- Para conectar o dispositivo à Internet, use a função Wi-Fi (WLAN):
 → Definições → WLAN-ON. Ao estabelecer a ligação a Wi-Fi (WLAN), pode precisar de digitar a palavra-passe;
- Se o dispositivo é capaz de usar os dados móveis (2G / 3G / 4G), pode ligar esta função assim: Settings-Mobile data-ON. Para obter mais instruções sobre as configurações, por favor, entre em contacto com a sua operadora da rede móvel. Atenção! Para estabelecer a conectividade e carregar os dados, poderão aplicar-se os custos adicionais. Contacte a sua operadora para obter a informação mais detalhada sobre os tarifários.

* Google, Google Play são marcas comerciais da Google Inc.

DECLARAÇÃO DE CONFORMIDADE CE

Data de emissão: 2017-07-03

Nós,
Mikrovisata UAB
Morada: Savanoriu pr. 125, Kaunas, Lituania

Declaramos que o produto:
Descrição: eSTAR BEAUTY 2 HD Quad Core (MID7388) tablet 7,0", 8GB
Marca: eSTAR
Modelo: eSTAR BEAUTY 2 HD Quad Core (MID7388)

Padrões relevantes **EN 62479:2010**
Especificações/ Directivas: Avaliação da conformidade dos equipamentos eléctricos e electrónicos de baixa potência com as restrições básicas relativas à exposição humana aos campos electromagnéticos (10 MHz a 300 GHz)

ETSI EN 300 328 V1.8.1 (2012-06):

Compatibilidade electromagnética e espectro de rádio - frequência (ERM); Sistemas de Transmissão de Banda Larga; Equipamento de transmissão de dados operando na banda ISM de 2,4 GHz e utilizando técnicas de modulação de banda larga; Harmonização de EN cobrindo os requisitos essenciais conforme o artigo 3.2 da Directiva R & TTE

ETSI EN 301 489-1 V1.9.2 (2011-09):

Compatibilidade electromagnética e espectro de rádio - frequência (ERM); Padrão de Compatibilidade Electromagnética (EMC) para equipamentos de rádio e serviços; Parte 1: Requisitos técnicos comuns

ETSI EN 301 489-17 V2.2.1 (2012-09):

Compatibilidade electromagnética e espectro de rádio - frequência (ERM); Padrão de Compatibilidade Electromagnética (EMC) para equipamentos de rádio e serviços; Parte 17: Condições específicas para Sistema de Transmissão de Dados de Banda Larga

EN 60950-1:2006 + A11:2009 + A1:2010 + A12:2011

Equipamento de tecnologias de informação – Requisitos de segurança. Parte 1: Requisitos gerais

EN55022: 2010

Equipamento de tecnologias de informação-- Características de perturbações radioeléctricas - Limites e método de medição

EN61000-3-2: 2006 + A1: 2009 + A2: 2009

Compatibilidade electromagnética (EMC) – Parte 3-2: Limites – Limites para emissões de corrente harmónicas (equipamento de corrente de entrada até e inclusive 16A por fase)

EN61000-3-3: 2013

Compatibilidade electromagnética (EMC) – Parte 3-3: Limites – Limitação das variações de tensão, das flutuações de tensão e tremulação em sistemas públicos de baixa tensão, para equipamentos com corrente nominal ≤16A por fase e não sujeitos a ligação condicional

EN55024: 2010

Equipamentos de tecnologia da informação - Características de imunidade - Limites e métodos de medição

Directiva relativa aos equipamentos de rádio e equipamentos terminais de Telecomunicações (1999/5/CE) - R&TTE Art. 3.1(a), 3.1(b) & Art. 3.2

CEO Eimundas Mačiulis



e-star

www.estar.eu

CONSUMER ELECTRONICS

TV STAR

www.tvstar.eu



Έξυπνη ταμπλέτα “eSTAR”
Όνομα συσκευής:
eSTAR BEAUTY 2 HD Quad Core



e-star

www.estar.eu

Σας ευχαριστούμε για την αγορά της έξυπνης ταμπλέτας “eSTAR”. Πριν αρχίσετε να τη χρησιμοποιείτε, προτείνουμε να διαβάσετε αυτό τον οδηγό γρήγορης εκκίνησης. Αναλυτικό εγχειρίδιο χρήσης μπορεί να βρεθεί στην ιστοσελίδα: www.estar.eu.

Το περιεχόμενο αυτού του οδηγού γρήγορης εκκίνησης μπορεί να διαφέρει από τη διαμόρφωση του λογισμικού και του υλικού της συσκευής σας “eSTAR”;

- Ο Οδηγός γρήγορης εκκίνησης περιλαμβάνει πληροφορίες που υπόκεινται σε αλλαγή χωρίς προηγούμενη ειδοποίηση. Η πιο πρόσφατη έκδοση είναι διαθέσιμη στην ιστοσελίδα: www.estar.eu
- Ο εξοπλισμός των προϊόντων και/ή παρελκομένων της “eSTAR” μπορεί να διαφέρει ανάλογα με τις περιοχές/χώρες
- Ο εξοπλισμός των προϊόντων “eSTAR” είναι σχεδιασμένος ειδικά για συγκεκριμένο μοντέλο και μπορεί να είναι ασύμβατος με άλλα προϊόντα “eSTAR”
- Η “eSTAR” δεν θα είναι υπεύθυνη για βλάβες, που προκαλούνται από τη χρήση των μη συμβατών παρελκομένων (φορτιστές, ακουστικά, κλπ)
- Πρόσθετα παρελκόμενα για προϊόντα “eSTAR” μπορούν να αγοραστούν από τον περιφερειακό αντιπρόσωπο προϊόντων “eSTAR”
- Η “eSTAR” δεν θα είναι υπεύθυνη για τις πληροφορίες που λείπουν και τις αστοχίες, που προκαλούνται από ακατάλληλη χρήση του υλικού και του λογισμικού, ή άλλων ατυχημάτων.

Μέτρα ασφαλείας

Για να χρησιμοποιήσετε τη συσκευή με ασφαλή τρόπο - για να αποφύγετε τραυματισμούς ή βλάβες, διαβάστε τις ακόλουθες πληροφορίες:

- Υψηλή ένταση ήχου, ενώ χρησιμοποιείτε ακουστικά, μπορεί να οδηγήσει σε αρνητικές συνέπειες για την ακοή σας. Παρακαλούμε να ρυθμίσετε την ένταση σωστά, ώστε να αποφευχθεί βλάβη στην ακοή.
- Προειδοποίηση: να είστε προσεκτικοί για να μην προκαλέσετε ηλεκτροπληξία, πυρκαγιά και έκρηξη
- Μην αγγίζετε το προϊόν “eSTAR” και τα μέρη του με βρεγμένα χέρια και μην χρησιμοποιείτε τη συσκευή, ενώ τη φορτίζετε
- Μην τραβάτε το φορτιστή από το καλώδιο
- Μην λυγίζετε ή πληγώνετε το καλώδιο τροφοδοσίας
- Μην χρησιμοποιείτε κατεστραμμένο ή ελαττωματικό φορτιστή
- Μην ρίχνετε και σπάτε το φορτιστή ή τη συσκευή.
- Μην χρησιμοποιείτε τη συσκευή κατά τη διάρκεια καταιγίδας - θα μπορούσε να επηρεάσει τη λειτουργία της συσκευής και να αυξήσει τον κίνδυνο ηλεκτροπληξίας
- Μην αποσυναρμολογείτε το προϊόν μόνοι σας
- Όταν καθαρίζετε την οθόνη της ταμπλέτας ή του έξυπνου τηλεφώνου σας, μην χρησιμοποιείτε οινόπνευμα, διαλυτικό ή βενζίνη, καθώς αυτό θα μπορούσε να οδηγήσει σε μόνιμη βλάβη της οθόνης της συσκευής σας
- Τα περισσότερα προϊόντα “eSTAR” δεν είναι ανθεκτικά στην υγρασία ή το νερό· σε περίπτωση χρήσης προϊόντων “eSTAR” κάτω από αυτές τις συνθήκες, η συσκευή μπορεί να πάθει μόνιμη βλάβη
- Μην πιέζετε την οθόνη της ταμπλέτας ή του έξυπνου τηλεφώνου πολύ δυνατά - μπορεί να προκληθεί ζημιά
- Μην χρησιμοποιείτε τη συσκευή ενώ οδηγείτε, θα μπορούσε να προκαλέσει τροχαίο ατύχημα.

Προστατέψτε το περιβάλλον. Βεβαιωθείτε για την κατάλληλη απόρριψη της συσκευής “eSTAR”

- Κατά την απόρριψη συσκευών, ακολουθήστε τους τοπικούς νόμους και κανονισμούς.
- Χρησιμοποιήστε τις εγκεκριμένες μπαταρίες και τους φορτιστές για το “eSTAR”, ειδικά σχεδιασμένα για τη συσκευή σας. Η χρήση μη συμβατού φορτιστή μπορεί να οδηγήσει σε αποτυχία ή βλάβη της συσκευής σας.
- Μην καίτε τις συσκευές που δεν χρησιμοποιούνται πλέον.
- Μην τοποθετείτε τις συσκευές επάνω σε εξοπλισμό θέρμανσης, όπως φούρνους μικροκυμάτων, κουζίνες ή καλοριφέρ. Οι μπαταρίες ενδέχεται να εκραγούν αν υπερθερμανθούν.
- Μην σπάτε ή τρυπάτε την συσκευή. Βεβαιωθείτε ότι η συσκευή δεν βρίσκεται υπό πίεση από έξω - μπορεί να οδηγήσει σε εσωτερικό βραχυκύκλωμα ή συσκευή μπορεί να υπερθερμανθεί.



Αυτό το σύμβολο στο προϊόν ή στα συνοδευτικά έγγραφα σημαίνει ότι η συσκευή και τα ηλεκτρονικά του παρελόμενα (π.χ. φορτιστής, ακουστικά, καλώδιο USB, κ.λπ.) δεν πρέπει να αναμιγνύονται με γενικά οικιακά απορρίμματα. ΧΡΗΣΤΗ, προστατεύετε τον εαυτό σας και το περιβάλλον, λάβετε την ευκαιρία να συμβάλλετε στη διατήρηση της φύσης για τις μελλοντικές γενιές, την ανακύκλωση των αποβλήτων και δώστε το για

ανακύκλωση.

- Για πληροφορίες, πού και πώς να παραδώσουν αυτά τα ηλεκτρονικά απόβλητα για ασφαλή χειρισμό, οι ιδιώτες θα πρέπει να επικοινωνήσουν με τον πωλητή του προϊόντος (κατάστημα, ηλεκτρονικό κατάστημα, κλπ) ή τις τοπικές αρχές.
- Για πληροφορίες, πού και πώς να παραδώσουν αυτά τα ηλεκτρονικά απόβλητα για ασφαλή χειρισμό, τα νομικά πρόσωπα θα πρέπει να συμβουλευτούν τον προμηθευτή αυτού του προϊόντος, καθώς και αν έχουν σύμβαση με φρέα ανακύκλωσης ηλεκτρονικών αποβλήτων, θα πρέπει να το παραδώσουν για ανακύκλωση άμεσα.



Η σήμανση CE στο προϊόν (ή στη συσκευασία) δείχνει ότι αυτό το προϊόν είναι συμβατό με τις απαιτήσεις της Ευρωπαϊκής Ένωσης για την ασφάλεια, υγεία, και την περιβαλλοντική προστασία.



Το σήμα RoHS δείχνει ότι τα μέρη είναι κατασκευασμένα από ανακυκλωμένα υλικά.

Σημαντικές πληροφορίες

- Η μπαταρία θα φορτιστεί πλήρως από την εκφόρτιση και φόρτιση για 2-3 φορές.
- Οι ακραίες θερμοκρασίες (θέρμανση / ψύξη) μπορούν να παραμορφώσουν τη συσκευή σας και να μειώσουν το φορτίο της μπαταρίας, και αυτό μπορεί να επηρεάσει την μικρότερη διάρκεια ζωής της συσκευής.

Χρήση της συσκευής σε περιορισμένους χώρους ή περιοχές

Προειδοποίηση: Όταν χρησιμοποιείτε τη συσκευή σε ζώνες περιορισμένης πρόσβασης, τηρήστε όλες τις προειδοποιήσεις και τις οδηγίες ασφαλείας.

- Πάντα να απενεργοποιείτε τη συσκευή σας όπου η χρήση της απαγορεύεται
- Μην χρησιμοποιείτε τη συσκευή σας κοντά σε άλλες ηλεκτρονικές συσκευές
- Οι περισσότερες ηλεκτρονικές συσκευές χρησιμοποιούν σήματα ραδιοσυχνότητας. Η συσκευή σας μπορεί να αλληλεπιδράσει με άλλες ηλεκτρονικές συσκευές.
- Μην τοποθετείτε τη συσκευή σας κοντά σε βηματοδότη καρδιάς. Εάν είναι δυνατόν, προσπαθήστε να μην κρατάτε τη συσκευή σας σε απόσταση μικρότερη από 15 cm από το βηματοδότη καρδιάς. Η συσκευή σας μπορεί να προκαλέσει παρεμβολές στο βηματοδότη. Προκειμένου να μειωθεί η πιθανότητα παρεμβολής στο βηματοδότη καρδιάς, κρατήστε τη συσκευή στην αντίθετη πλευρά του σώματος από το βηματοδότη.
- Μην χρησιμοποιείτε τη συσκευή σας σε νοσοκομείο ή κοντά σε ιατρικές συσκευές, οι ραδιοσυχνότητες των οποίων θα μπορούσαν να την επηρεάσουν.
- Στην περίπτωση που χρησιμοποιείτε οποιαδήποτε ιατρική συσκευή, επικοινωνήστε με τον κατασκευαστή της και βεβαιωθείτε ότι οι ραδιοσυχνότητές της δεν επηρεάζουν.
- Απενεργοποιήστε την συσκευή όταν βρίσκεστε κοντά σε δυνητικά εκρηκτικούς χώρους.
- Να ακολουθείτε πάντα τις οδηγίες, σημάνσεις και πινακίδες για τις δυνητικά εκρηκτικούς χώρους.
- Μην χρησιμοποιείτε τη συσκευή όταν γεμίζετε (στο βενζινάδικο) ή κοντά σε εύφλεκτα υλικά ή χημικά.
- Στη θέση όπου αποθηκεύονται η συσκευή, τα μέρη της ή τα εξαρτήματά της, μην διατηρείτε εύφλεκτα υγρά, αέρια ή εκρηκτικές ύλες.
- Κύρια ευθύνη σας είναι να οδηγείτε με ασφάλεια. Ποτέ μη χρησιμοποιείτε τη συσκευή ενώ οδηγείτε, αν οι κανόνες το απαγορεύουν.
- Απενεργοποιήστε τη συσκευή σας, κατά την απογείωση και την προσγείωση. Η συσκευή μπορεί να αλληλεπιδράσει με το σύστημα πλοήγησης του αεροσκάφους.

Κατάλληλη συντήρηση και χρήση του προϊόντος “eSTAR”

Κρατήστε τη συσκευή σε ξηρό μέρος

- Η υγρασία και τα υγρά κάθε είδους μπορεί να βλάψουν μόνιμα τα μέρη ή από την ίδια τη συσκευή
- Μην ενεργοποιήσετε τη συσκευή, αν είναι βρεγμένη. Εάν η συσκευή είναι ήδη ενεργοποιημένη, απενεργοποιήστε αμέσως και βγάλτε την μπαταρία. Εάν η συσκευή δεν μπορεί να απενεργοποιηθεί ή δεν μπορείτε να βγάλετε τη μπαταρία - μην κάνετε τίποτα. Σκουπίστε τη συσκευή με μια πετσέτα και φέρτε την σε ένα κέντρο εξυπηρέτησης.
- Η εγγύηση του κατασκευαστή δεν καλύπτει τις βλάβες που προκαλούνται από την υγρασία.

Μην χρησιμοποιείτε, μην αποθηκεύετε τη συσκευή σε χώρους με σκόνη και βρώμικα σημεία

- Η σκόνη που μπαίνει στη συσκευή μπορεί να επηρεάσει αρνητικά τη λειτουργία της.

Μην αφήνετε τη συσκευή σε κεκλιμένες επιφάνειες

- Αν η συσκευή πέσει κάτω, μπορεί να καταστραφεί.

Μην αποθηκεύετε τη συσκευή σε κρύα ή ζεστά μέρη

- Χρησιμοποιείτε τη συσκευή μόνο σε θερμοκρασίες από -20 έως +45 ° C
- Σε περίπτωση ζεστού καιρού, η συσκευή, αφημένη σε κλειστό όχημα, μπορεί να εκραγεί καθώς η θερμοκρασία στο εσωτερικό μπορεί να φτάσει έως +80 ° C
- Μην αφήνετε τη συσκευή σε άμεσο ηλιακό φως για μεγάλο χρονικό διάστημα (για παράδειγμα, στο ταμπλό αυτοκινήτου);

Μην κρατάτε τη συσκευή κοντά σε μαγνητικά πεδία

- Λόγω της επίδρασης των μαγνητικών πεδίων η συσκευή μπορεί να ξεκινήσει να λειτουργεί λανθασμένα ή η μπαταρία μπορεί να αποφορτιστεί;

Μην κρατάτε τη συσκευή κοντά ή πάνω σε θερμές επιφάνειες, για παράδειγμα, σε φούρνους μικροκυμάτων, μαγειρικές συσκευές ή δοχεία υψηλής πίεσης

- Η συσκευή μπορεί να υπερθερμανθεί και να προκαλέσει πυρκαγιά ή έκρηξη.

Μην ρίχνετε και χτυπάτε τη συσκευή σας

- Μπορεί να σπάσετε την οθόνη της συσκευής
- Η συσκευή ή τα τμήματά της μπορούν να καταστραφούν ή να αρχίσουν να λειτουργούν λανθασμένα, όταν κάμπτονται και παραμορφώνονται.

Μην αφήνετε τη συσκευή να έρθει σε επαφή με μεταλλικά αντικείμενα: νομίσματα, κλειδιά, αλυσίδες

- Η συσκευή ή η οθόνη της μπορεί να γρατσουνιστεί.

Προστατέψτε τα μάτια σας από την αρνητική επίδραση του φωτός που αναβοσβήνει

- Η αίθουσα, όπου χρησιμοποιείτε τη συσκευή σας, θα πρέπει να είναι τουλάχιστον ελάχιστα φωτισμένη και να μην κρατάτε την οθόνη πολύ κοντά στα μάτια.
- Ενώ παρακολουθείτε ταινίες ή παίζετε video games για μεγάλο χρονικό διάστημα, η όρασή σας μπορεί να μειωθεί προσωρινά λόγω της έκθεσης σε έντονο φως. Εάν αισθάνεστε δυσάρεστα συμπτώματα, απενεργοποιήστε αμέσως τη συσκευή.

Μειώστε τον κίνδυνο τραυματισμών, που προκαλούνται από επαναλαμβανόμενες κινήσεις

- Στην περίπτωση σταθερών και ίδιων ενεργειών: πιέζοντας τα ίδια πλήκτρα, γράφοντας κείμενο, παίζοντας παιχνίδια, μπορεί να νιώσετε δυσφορία στα χέρια, το λαιμό, τους ώμους, ή άλλα μέρη του σώματος. Σε περίπτωση παρατεταμένης χρήσης αυτής της συσκευής, να την κρατήσετε με το χέρι χαλαρό, αβίαστο, σας συμβουλευόμαστε να κάνετε τακτικά διαλείμματα. Αν τα δυσάρεστα συμπτώματα επιμένουν, όταν χρησιμοποιείτε τη συσκευή, σταματήστε να τη χρησιμοποιείτε και συμβουλευτείτε ένα γιατρό.

Εξασφαλίστε τη μέγιστη διάρκεια ζωής του φορτιστή και της μπαταρίας

- Μην αφήνετε την μπαταρία σε φόρτιση για περισσότερο από μία εβδομάδα, διότι η υπερφόρτιση

- μπορεί να μειώσει τη διάρκεια ζωής της.
- Με τον καιρό, οι μπαταρίες που δεν χρησιμοποιούνται αποφορτίζονται από μόνες τους, και πρέπει να επαναφορτίζονται πριν από τη χρήση.
- Αποσυνδέστε τους φορτιστές από την πρίζα, όταν δεν τους χρησιμοποιείτε.

Προστατέψτε την ακοή σας, ενώ χρησιμοποιείτε ακουστικά

- Πολύ δυνατός ήχος μπορεί να είναι επιβλαβής για την ακοή σας.
- Δυνατός ήχος, κατά την οδήγηση, μπορεί να αποσπάσει την προσοχή και να προκαλέσει ατύχημα.
- Πριν συνδέσετε τα ακουστικά στην πηγή του ήχου, μειώστε την ένταση. Ρυθμίστε τη λειτουργία της ελάχιστης έντασης, που απαιτείται για να ακούτε τη συνομιλία ή μουσική.
- Αν είστε σε ξηρό χώρο, στατικός ηλεκτρισμός μπορεί να αναπτυχθεί στα ακουστικά. Αποφύγετε να χρησιμοποιείτε τα ακουστικά σε ξηρούς χώρους ή, πριν συνδέσετε τα ακουστικά στη συσκευή, αγγίξτε τους με ένα κομμάτι μέταλλο για να προκληθεί η ηλεκτροστατική εκφόρτιση.

Στην περίπτωση χρήσης της συσκευής, ενώ περπατάτε ή μετακινείστε, ακολουθήστε τα μέτρα ασφαλείας

- Παρατηρείτε πάντα το περιβάλλον για την αποφυγή τραυματισμών στον εαυτό σας και τους άλλους.

Μην αποσυναρμολογείτε, τροποποιείτε ή επισκευάζετε τη συσκευή μόνοι σας

- Θα χάσετε την εγγύηση του κατασκευαστή, σε περίπτωση τυχόν αλλαγών ή τροποποιήσεων, που πραγματοποιούνται από σας (συμπεριλαμβανομένων των μη εξουσιοδοτημένων αλλαγών στο λογισμικό του κατασκευαστή). Παρακαλείστε να φέρετε τη σπασμένη συσκευή “eSTAR” στο πλησιέστερο εξουσιοδοτημένο κέντρο υπηρεσιών “eSTAR”.
- Μην βάφετε τη συσκευή και μην τοποθετείτε αυτοκόλλητα επάνω της.

Οδηγίες καθαρισμού της συσκευής:

- Καθαρίστε τη συσκευή και το φορτιστή με ένα στεγνό πανί / σφουγγάρι ή με ειδικά σχεδιασμένα μέσα.
- Μην χρησιμοποιείτε χημικά ή απολυμαντικά..

Μην χρησιμοποιείτε τη συσκευή, εάν η οθόνη έχει σπάσει ή καταστραφεί

- Το σπασμένο γυαλί μπορεί να προκαλέσει τραυματισμούς στο πρόσωπο και τα χέρια σας. Φέрте τη συσκευή σε ένα κέντρο εξυπηρέτησης πελατών “eSTAR” για επισκευή.

Χρησιμοποιείτε τη συσκευή μόνο για το σκοπό που προορίζεται

Όταν χρησιμοποιείτε τη συσκευή σε ένα δημόσιο χώρο, προσπαθήστε να μην ενοχλείτε τους άλλους

Να είστε προσεκτικοί με την κάρτα SIM και τις κάρτες μνήμης

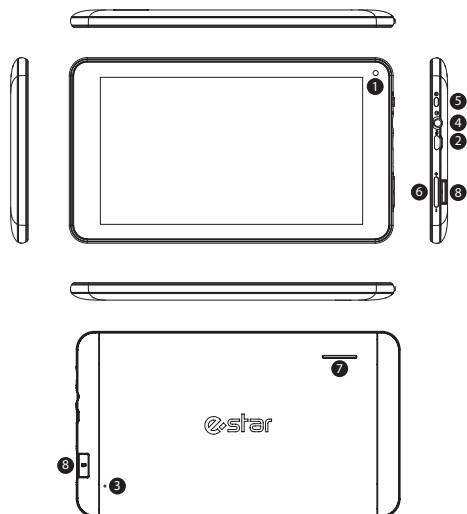
- Μην αφαιρείτε την κάρτα, όταν η συσκευή κατεβάζει ή ανεβάζει πληροφορίες, καθώς αυτό μπορεί να οδηγήσει σε απώλεια δεδομένων, και (ή) βλάβη στην κάρτα ή τη συσκευή.
- Προστατέψτε τις κάρτες από τραντάγματα, στατικό ηλεκτρισμό, ηλεκτρικό θόρυβο, που προκαλείται από άλλες συσκευές.
- Μην αγγίζετε τις χρυσόχρωμες επαφές ή τα κλιπ της κάρτας μνήμης με τα δάχτυλα. Εάν είναι βρόμικη, καθαρίστε την κάρτα με ένα μαλακό πανί.

Προστατέψτε τα προσωπικά σας και άλλα σημαντικά δεδομένα

- Μην ξεχάσετε να κάνετε εφεδρική αποθήκευση σημαντικών δεδομένων, ενώ χρησιμοποιείτε τη συσκευή. Η “eSTAR” δεν θα είναι υπεύθυνη για την απώλεια δεδομένων.
- Όταν δίνετε τη συσκευή στο εξουσιοδοτημένο κέντρο υπηρεσιών “eSTAR” για την επισκευή, δημιουργήστε αντίγραφα των σημαντικών δεδομένων και διαγράψτε σημαντικές πληροφορίες, αν είναι δυνατόν. Η “eSTAR” δεν θα είναι υπεύθυνη για την απώλεια δεδομένων.
- Πριν από την επαναφορά των εργοστασιακών ρυθμίσεων του λογισμικού, φροντίστε για εφεδρική αποθήκευση σημαντικών δεδομένων.
- Αν έχετε αποφασίσει να απορρίψετε τη συσκευή σας, βεβαιωθείτε ότι δεν υπάρχει σημαντική ή προσωπική πληροφορία που να έχει απομείνει σε αυτό.
- Σε περίπτωση κλοπής ή απώλειας της συσκευής, μην ξεχάσετε να αλλάξετε τους κωδικούς πρόσβασης των λογαριασμών σας, προκειμένου να προστατεύσετε τα προσωπικά σας στοιχεία

Ξεκινώντας

Κύρια στοιχεία



	Λειτουργία/επεξήγηση
1.	Εμπρόσθια κάμερα/βίντεο κάμερα
2.	Βύσμα USB -
3.	Reset
4.	Βύσμα ακουστικών
5.	Πλήκτρο τροφοδοσίας
6.	Πλήκτρο ENTASHE HXOY + / ENTASHE HXOY -
7.	Ηχεία
8.	Υποδοχή Micro SD(HC)

Φόρτιση της μπαταρίας




- Πριν χρησιμοποιήσετε τη συσκευή για πρώτη φορά, φορτίστε πλήρως την μπαταρία του.
- Χρησιμοποιήστε φορτιστές “eSTAR”, που να έχουν σχεδιαστεί ειδικά για τη συσκευή σας. Άλλοι φορτιστές μπορεί να οδηγήσουν σε μόνιμη βλάβη της συσκευής σας.

Ενεργοποίηση / απενεργοποίηση

- Για να ενεργοποιήσετε τη συσκευή, πιέστε το κουμπί τροφοδοσίας. Εάν η συσκευή δεν ενεργοποιείται, παρακαλούμε να ελέγξετε, εάν έχει φορτιστεί.
- Κατά την ενεργοποίηση της συσκευής για πρώτη φορά, ρυθμίστε την σύμφωνα με τον οδηγό επί της οθόνης. Για να χρησιμοποιήσετε τις εφαρμογές που αλληλεπιδρούν με την Google™, θα πρέπει να δημιουργήσετε ένα νέο ή να συνδεθείτε σε υπάρχοντα λογαριασμό Google.
- Για να απενεργοποιήσετε τη συσκευή, πιέστε το κουμπί τροφοδοσίας.

Σημείωση: Για να κάνετε επαναφορά των εργοστασιακών ρυθμίσεων του λογισμικού, για παράδειγμα, αν μια εφαρμογή αποτυγχάνει να ξεκινήσει, πατήστε και κρατήστε πατημένο το πλήκτρο τροφοδοσίας έως ότου γίνει επανεκκίνηση της συσκευής.

Σύνδεση στο Διαδίκτυο

- Για να συνδεθείτε στο Διαδίκτυο, χρησιμοποιήστε τη λειτουργία WiFi (WLAN):  →  Ρυθμίσεις →  WLAN-ON. Όταν συνδέεστε σε συγκεκριμένο δίκτυο WiFi (WLAN), μπορεί να απαιτούνται κωδικός πρόσβασης.
- Εάν η συσκευή έχει τη δυνατότητα να χρησιμοποιεί δεδομένα κινητής τηλεφωνίας (2G / 3G / 4G), η λειτουργία αυτή μπορεί να ενεργοποιηθεί με αυτόν τον τρόπο: Ρυθμίσεις – δεδομένα κινητού – ON. Παρακαλούμε επικοινωνήστε με τον πάροχο κινητής τηλεφωνίας σας για περαιτέρω οδηγίες διαμόρφωσης. Προσοχή! Σύνδεση και λήψη δεδομένων μπορεί να υπόκεινται σε επιπλέον χρεώσεις. Λεπτομερέστερες πληροφορίες σχετικά με τις χρεώσεις θα παρέχονται από τον πάροχο κινητής τηλεφωνίας σας.

* Οι επωνυμίες Google, Google Play αποτελούν εμπορικά σήματα της Google Inc.

ΑΛΩΣΗ ΣΥΜΜΟΡΦΩΣΗΣ ΕΕ

Ημερομηνία έκδοσης: 2017-07-03

Εμείς, η

Mikrovisata UAB,

Διεύθυνση: Savanoriu pr. 125, Κάουνας, Λιθουανία

Δηλώνουμε ότι το προϊόν

Περιγραφή: ταμλέτα eSTAR BEAUTY 2 HD Τετραπύρρηνο (MID7388) PC οθόνη 7,0'' ιντσών , 8GB μνήμη flash

Μάρκα: eSTAR

Αριθμός Μοντέλου: eSTAR BEAUTY 2 HD Τετραπύρρηνο (MID7388)

Σχετικά πρότυπα**Προδιαγραφές/Οδηγίες:****EN 62479:2010**

Αξιολόγηση της συμμόρφωσης των χαμηλής ισχύος ηλεκτρονικών και ηλεκτρικών συσκευών με τους βασικούς περιορισμούς που σχετίζονται με την έκθεση των ανθρώπων σε ηλεκτρομαγνητικά πεδία (10 MHz έως 300 GHz)

ETSI EN 300 328 V1.8.1 (2012-06):

Θέματα ηλεκτρομαγνητικής συμβατότητας και ραδιοφάσματος (ERM). Ευρωζωνικά συστήματα μετάδοσης. Εξοπλισμός μετάδοσης δεδομένων που λειτουργεί στη ζώνη ISM 2,4 GHz και χρησιμοποιεί τεχνικές διαμόρφωσης ευρείας ζώνης. Εναρμόνιση με το EN για την κάλυψη των ουσιοδών απαιτήσεων και του άρθρου 3.2 της οδηγίας R & TTE

ETSI EN 301 489-1 V1.9.2 (2011-09):

Ηλεκτρομαγνητική συμβατότητα και θέματα ραδιοφάσματος (ERM). Πρότυπο Ηλεκτρομαγνητικής Συμβατότητας (EMC) για ραδιο εξοπλισμό και υπηρεσίες. Μέρος 1: Κοινές τεχνικές απαιτήσεις

ETSI EN 301 489-17 V2.2.1 (2012-09):

Ηλεκτρομαγνητική συμβατότητα και θέματα ραδιοφάσματος (ERM) Πρότυπο Ηλεκτρομαγνητικής Συμβατότητας (EMC) για ραδιοεξοπλισμό και υπηρεσίες. Μέρος 17: Ειδικές συνθήκες για συστήματα μετάδοσης δεδομένων ευρείας ζώνης

EN 60950-1: 2005 (Δεύτερη Έκδοση), Am 1: 2009**EN 60950-1: 2006 + A11: 2009 + A1: 2010 + A12: 2011**

Εξοπλισμός Τεχνολογίας Πληροφορικής - Απαιτήσεις ασφάλειας Μέρος ασφαλείας 1: Γενικές απαιτήσεις

EN55022: 2010

Εξοπλισμός τεχνολογίας πληροφοριών - Χαρακτηριστικά ραδιοπαρεμβολών - Όρια και μέθοδος μέτρησης

EN61000-3-2: 2006 + A1: 2009 + A2: 2009

Ηλεκτρομαγνητική συμβατότητα (EMC) - Μέρος 3-2: Όρια - Όρια εκπομπής για αρμονικές ρεύματος (ρεύμα εισόδου συσκευής μέχρι και 16 Α ανά φάση)

EN61000-3-3: 2013

Ηλεκτρομαγνητική συμβατότητα (EMC) - Μέρος 3-3: Όρια - Περιορισμός μεταβολών τάσης, διακυμάνσεων τάσης και αναρρόφημα σε δημόσια συστήματα παροχής χαμηλής τάσης για εξοπλισμό με ονομαστικό ρεύμα ≤16Α ανά φάση και χωρίς να υπόκεινται σε εξαρτημένη σύνδεση

EN55024: 2010

Εξοπλισμός τεχνολογίας πληροφοριών - Χαρακτηριστικά ανοσίας - Όρια και μέθοδοι μέτρησης EN 50332-2: 2003 Εξοπλισμός του ηχητικού συστήματος. Ακουστικά κεφαλή και ακουστικά αυτιών που συνδέονται με φορητές συσκευές ήχου. Μέθοδοι για μέτρησης μέγιστης στάθμης πίεσης ήχου και εξέταση ορίου. Αντίσταση του αυτ με ακουστικά κεφαλή, εάν μία ή και οι δύο προσφέρονται ξεχωριστά

EN50566: 2013 Το πρότυπο του προϊόντος να παρουσιάζει συμμόρφωση των πεδίων ραδιοσυχνότητας από συσκευές χειρός και συσκευές ασύρματης επικοινωνίας προσαρμοσμένες στο σώμα που χρησιμοποιούνται από το ευρύ κοινό (30 MHz - 6 GHz)**EN 62209-2: 2010** Η έκθεση του ανθρώπου σε πεδία ραδιοσυχνότητας από συσκευές χειρός και συσκευές ασύρματης επικοινωνίας προσαρμοσμένες στο σώμα. Ανθρώπινα μοντέλα, όργανα και διαδικασίες - Μέρος 2. Διαδικασία για τον προσδιορισμό του ειδικού ρυθμού απορρόφησης (SAR) για συσκευές ασύρματης επικοινωνίας που χρησιμοποιούνται σε άμεση γειτνίαση με το ανθρώπινο σώμα (περιοχή συχνότητας από 30 MHz έως 6 GHz)

Οδηγία για Ραδιοεξοπλισμό και τηλεπικοινωνιακό εξοπλισμό (1999/5/EK) - R & TTE άρθρο 3.1 (α), 3.1 (β) και το άρθρο 3.2

Διευθύνων Σύμβουλος

Eimundas Mačiulis

**CONSUMER ELECTRONICS**

www.estar.eu

www.tvstar.eu



Интелигентен таблет “eSTAR”

Модел №: eSTAR BEAUTY 2 HD Quad Core



Благодарим ви, че закупихте интелигентния таблет “eSTAR”. Преди да започнете да го използвате, ние препоръчваме да прочетете това ръководство за бързо стартиране. Подробно ръководство може да бъде намерено на интернет страницата www.estar.eu.

Съдържанието на това ръководство за бързо стартиране може да се различава от конфигурацията на софтуера и хардуера на вашия модел “eSTAR”;

- Ръководството за бързо стартиране съдържа информация, подлежаща на промяна без предизвестие. Последната версия може да намерите на интернет страницата www.estar.eu;
- Оборудването на продуктите и/или аксесоарите “eSTAR” може да се различава по региони/ страни;
- Оборудването на продуктите “eSTAR” е проектирано специално за определен модел и може да бъде несъвместимо с други продукти “eSTAR”;
- “eSTAR” не носи отговорност за повреди, причинени от използването на несъвместими аксесоари (зарядни устройства, слушалки и т.н.);
- Допълнителни аксесоари за продукти “eSTAR” могат да бъдат закупени от регионалния представител на продукти “eSTAR”;
- “eSTAR” не носи отговорност за липсваща информация и повреди, причинени от неправилна употреба на хардуера и софтуера, или за други инциденти.

Мерки за безопасност

За да използвате устройството по безопасен начин, с оглед избягване на наранявания или повреди, моля, прочетете следната информация:

- Силният звук, докато използвате слушалките, може да доведе до неблагоприятни последици за вашия слух. Моля, регулирайте силата на звука правилно, за да избегнете увреждане на слуха.
- Предупреждение: внимавайте, за да не причините токов удар, пожар и експлозия;
- Не докосвайте продукта “eSTAR” и неговите части с мокри ръце и не използвайте устройството, докато го зареждате;
- Не дърпайте зарядното устройство за кабела;
- Не огъвайте и не повреждайте захранващия кабел;
- Не използвайте повредено или дефектно зарядно устройство;
- Не изпускайте и не чупете зарядното устройство или самото устройство.
- Не използвайте устройството по време на гръмотевична буря - това може да може да се отрази неблагоприятно върху работата на устройството и да увеличи риска от токов удар;
- Не разглобявайте продукта самостоятелно;
- При почистване на екрана на вашия таблет или смартфон, не използвайте спирт, разрежител или бензен, тъй като това може да доведе до трайно увреждане на екрана на вашето устройство;
- Повечето продукти “eSTAR” не са устойчиви на влага или вода; в случай на използване на продукти “eSTAR” при тези условия, устройството може да бъде трайно повредено;
- Не натискайте екрана на таблета или смартфона твърде силно - може да се повреди;
- Не използвайте устройството по време на шофиране, тъй като това може да предизвика птно-транспортно произшествие.

Пазете околната среда. Изхвърлете устройството “eSTAR” по подходящ начин

- Когато изхвърляте устройства, спазвайте местните правила и разпоредби.
- Използвайте одобрени от “eSTAR” батерии из зарядни устройства, предназначени специално за вашето устройство. Използването на несъвместимо зарядно устройство може да доведе до авария или повреда на вашето устройство.
- Не изгаряйте устройствата, които вече не се използват.
- Не поставяйте устройствата върху отоплителна техника, като микровълнови фурни, готварски печки или радиатори. Батериите могат да експлодират, когато се нагреят прекомерно.
- Не чупете и не пробивайте устройството. Уверете се, че устройството не е под външен натиск - това може да доведе до вътрешнокъсо съединение или устройството може да прегрее.



Този символ върху устройството или придружаващата документация означава, че устройството и електронните аксесоари (например: зарядно устройство, слушалки, USB кабел и т.н.) не трябва да се смесват с общите битови отпадъци. **ПОТРЕБИТЕЛИ**, защитете себе си и околната среда, възползвайте се от

възможността да допринесете за опазване на природата за бъдещите поколения, рециклирайте отпадъците и ги давайте за рециклиране.

- За информация къде и как да предоставят тези електронни отпадъци за безопасна обработка, частните лица следва да се свържат с продавача на продукта (магазин, онлайн магазин и т.н.) или с местните органи;
- За информация къде и как да предоставят тези електронни отпадъци за безопасна обработка, юридическите лица трябва да се свържат с доставчика на този продукт, и ако имат сключен договор с организация за рециклиране на отпадъци от електрониката, те трябва да ѝ го предадат директно за рециклиране.



СЕ маркировката върху продукта (или неговата опаковка), показва, че този продукт отговаря на изискванията за безопасност, здраве и опазване на околната среда на Европейския съюз.



Знакът RoHS показва, че частите са направени от рециклирани материали.

Важна информация

- Батерията ще бъде напълно заредена, когато я разредите и заредите отново 2-3 пъти.
- Екстремните температури (горещина /студ) могат да деформират вашето устройство и да намалят заряда на батерията и това може да съкрати живота на устройството.

Използване на устройството в зони или помещения с ограничен достъп

Предупреждение: когато използвате устройството в зони с ограничен достъп, спазвайте всички предупреждения и инструкции за безопасност.

- Винаги изключвайте вашето устройство, когато използването му е забранено;
- Не използвайте вашето устройство в близост до други електронни уреди;
- Повечето електронни устройства използват радиочестотни сигнали. Вашето устройство може да повлияе върху работата на други електронни уреди.
- Не поставяйте вашето устройство в близост до пейсмейкъра на сърцето ви. Ако е възможно, опитайте се да държите устройството на разстояние не по-близо от 15 см от пейсмейкъра на сърцето ви; вашето устройство може повлияе върху работата на пейсмейкъра. За да се намали вероятността от оказване на влияние върху работата на пейсмейкъра на сърцето ви, дръжте устройството от страната на тялото противоположна на пейсмейкъра.
- Не използвайте вашето устройство в болница или в близост до медицинска апаратура, чийто радиочестоти биха могли да се повлияят от неговата работа;
- В случай, че използвате каквото и да е медицинско устройство, свържете се с производителя и се уверете, че неговата радиочестота не се повлиява от работата на устройството;
- Изключете устройството, когато сте в близост до взривоопасни места;
- Винаги спазвайте инструкциите, маркировките и знаците за потенциално взривоопасни места;
- Не използвайте устройството, когато зареждате колата (в бензиностанция) или в близост до леснозапалими материали или химикали;
- На мястото, където съхранявате устройството, неговите части и принадлежности, не трябва да има никакви запалими течности, газове или взривни вещества;
- Вашата основна отговорност е безопасното шофиране. Никога не използвайте устройството по време на шофиране, ако правилата го забраняват;
- Изключете устройството по време на излитане и кацане. Устройството може да повлияе върху навигационната система на самолета.

Подходяща поддръжка и употреба на продукта “eSTAR”

Съхранявайте уреда на сухо място

- Влагата и течностите от всякакъв вид могат трайно да увредят частите или самото устройство;
- Не включвайте устройството, когато е влажно. Ако устройството е вече включено, изключете го незабавно и извадете батерията. Ако устройството не може да бъде изключено или не можете да извадите батерията - не правете нищо. Избършете устройството с кърпа и го занесете в сервизен център.
- Гаранцията от производителя не покрива повреди, причинени от влага.

Не използвайте и не съхранявайте устройството на прашни, замърсени места

- Прахът, който попадне в устройството, може да се отрази отрицателно върху неговото функциониране.

Не съхранявайте устройството върху наклонена повърхност

- Ако устройството падне, то може да се повреди.

Не съхранявайте устройството на студени или горещи места

- Използвайте устройството само при температури от -20 до +45 ° C;
- При горещо време, устройството, оставено в затворено превозно средство, може да експлодира, тъй като температурата вътре може да достигне до +80 °C;
- Не съхранявайте устройството на пряка слънчева светлина за дълго време (например върху таблото на автомобила);

Не дръжте устройството близо до магнитни полета

- Поради ефекта на магнитните полета, устройството ще може да започне да функционира неправилно или батерията може да се изтощи;

Не дръжте устройството близо до или върху нагреватели, например в микровълнови пещки, уреди за готвене или съдове под налягане

- Устройството може да прегрее, да предизвика пожар или да експлодира.

Не изпускайте и не удряйте вашето устройство

- Можете да счупите екрана на устройството;
- Устройството или неговите части могат да се повредят или да започнат да функционират неправилно, когато се огънат и деформират.

Не позволявайте на вашето устройство да влиза в контакт с метални предмети: монети, ключове, вериги

- Устройството или неговият екран може да се надраскат.

Предпазвайте очите си от вредното въздействие на светлинните отблясъци

- Стаята, в която използвате вашето устройство, трябва да бъде поне минимално осветена, като не трябва да държите екрана много близо до очите си.
- Когато гледате филми или играете видео игри дълго време, вашето зрение може временно да се влоши поради излагането на ярка светлина. Ако усетите неприятни симптоми, изключете устройството веднага.

Намалете риска от наранявания, причинени от повтарящи се движения

- В случай на постоянно и повтарящо се действие: натискане на едни и същи клавиши, писане на текст, играене на игри, можете да изпитате дискомфорт в ръцете, врата, раменете и други части на тялото. В случай на продължителна употреба на това устройство, дръжте го с ръцете си спокойно, непринудено, като ви съветваме да правите редовни почивки. Ако неприятните симптоми продължават, докато използвате устройство, спрете да го използвате и се консултирайте с лекар.

Осигурете максимален живот на зарядното устройство и батерията

- Не оставяйте батерията на зареждане за повече от седмица, тъй като презареждането може

да намали живота ѝ.

- С течение на времето неизползваните батерии се разреждат сами и трябва да бъдат презареждани, преди да ги използвате.
- Изключете зарядното устройство от електрическата мрежа, когато не го използвате.

Предпазвайте слуха си, докато използвате слушалки

- Твърде силния звук може да бъде вреден за вашия слух;
- Силният звук, докато шофирате, може да отвлече вниманието ви и да стане причина за произшествие;
- Преди да свържете слушалките към източника на звука, намалете силата на звука. Определете минималните параметри на звука, необходим за слушане на разговор или музика;
- Ако сте в сухи помещения, в слушалките може да се натрупа статично електричество. Избягвайте да използвате слушалките в сухи помещения или, преди да свържете слушалките с устройството, ги докоснете до метален предмет, за да причините електростатичен разряд.

В случай на използване на устройството, докато ходите или се движите, спазвайте мерките за безопасност

- Винаги наблюдавайте околната среда, за да избегнете наранявания на себе си и на другите.

Не разгласявайте, модифицирайте или поправете устройство самостоятелно

- Ще загубите гаранцията на производителя в случай на каквито и да е промени или модификации, направени от самите вас (включително неоторизирани промени в софтуера на производителя). Моля, занесете счупеното устройство “eSTAR” до най-близкия оторизиран сервизен център на “eSTAR”;
- Не боядисвайте устройството и не поставяйте стикери върху него.

Инструкции за почистване на устройството:

- Почиствайте устройството и зарядното устройство със суха кърпа/гъба или със специално разработени средства.
- Не използвайте химикали или дезинфектанти.

Не използвайте устройството, ако екранът е счупен или повреден

- Счупеното стъкло може да причини наранявания на лицето и ръцете ви. Занесете устройството на центъра за обслужване на клиенти на “eSTAR” за ремонт.

Използвайте устройството само по предназначение

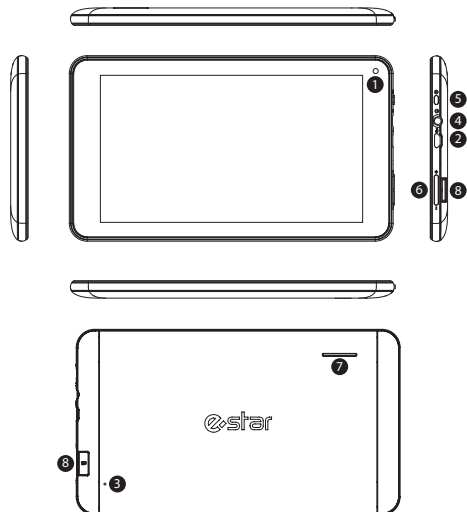
Когато използвате устройството на обществено място, опитайте се да не пречите на другите. Бъдете внимателни със SIM картата и картата с паметта

- Не вадете картата, докато устройството сваля или качва информация, тъй като това може да доведе до загуба на данни и (или) повреда на картата или устройството.
- Пазете картите от удар, статично електричество, електрически шум, причинен от други устройства.
- Не докосвайте златистите контакти или клемите на карта с памет с пръсти. При замърсяване почистете картата с мека кърпа.

Защитете вашата лична и друга важна информация

- Не забравяйте да направите резервно копие на важните данни, докато използвате устройството. “eSTAR” не носи отговорност за загуба на данни;
- При оставяне на устройството за ремонт в оторизиран сервизен център на “eSTAR”, направете копия на важните данни и изтрийте важната информация, ако е възможно. “eSTAR” не носи отговорност за загуба на данни;
- Преди възстановяване на заводските настройки на софтуера се погрижете да архивирате важната информация;
- Ако сте решили да изхвърлите вашето устройство, се уверете, че никаква важна или лична информация не е останала в него;
- В случай на кражба или загуба на устройството, не забравяйте да смените паролите на профилите си, за да защитите личните си данни.

Основните компоненти



	Функция/обяснение
1.	Предна камера/видео камера
2.	Контакт за USB устройство
3.	Reset
4.	Жак за слушалки
5.	Бутон за захранване
6.	Бутон за увеличаване/ намаляване на звука
7.	Високоговорители
8.	Микро SD(HC) слот

Заредане на батерията

- Преди да използвате устройството за първи път, заредете напълно батерията му.
- Използвайте зарядните устройства “eSTAR”, предназначени специално за вашето устройство. Други зарядни устройства могат да доведат до трайно увреждане на вашето устройство.

Бутон за включване/изключване

- За да включите устройството, натиснете бутона на захранването. Ако устройството не се включи, моля, проверете дали е заредено;
- При включване на устройството за първи път, трябва да го настроите според инструкциите на екрана. За да използвате приложенията, които взаимодействат с Google™, трябва да създадете нов или да влезете във вашия съществуващ акаунт в Google;
- За да изключите устройството, натиснете бутона на захранването.

Забележка: За да направите възстановяване на фабричните настройки на софтуера, например, ако приложението откаже да се включи, натиснете и задръжте бутона на захранването, докато устройството не се рестартира.

Свързване с интернет

- За да се свържете с интернет, използвайте функцията WiFi (WLAN): → Настройки → WLAN-ВКЛ. При свързването към определен WiFi (WLAN) достъп, може да се изискват пароли;
- Ако устройството има възможност за използване на мобилни данни (2G/3G/4G), тази функция може да се включи по следния начин: Настройки-Мобилни данни-ВКЛ. Моля, обърнете се към вашия мобилен оператор за допълнителна инструкция относно конфигурацията. Внимание! Свързването и изтеглянето на данни може да изисква заплащане на допълнителни такси. По-подробна информация относно цените може да получите от вашия оператор на мобилна мрежа.

* Google, Google Play са запазени марки на Google Inc.

„eSTAR” smart- zařízení

Typ č.:

eSTAR BEAUTY 2 HD Quad Core



e-star

www.estar.eu

Děkujeme vám za nákup smart- zařízení „eSTAR”. Před začátkem použití doporučujeme, abyste přečetli krátký návod uživatele. Podrobný návod najdete na webové stránce www.estar.eu. Obsah krátkého návodu uživatele se může lišit od typu „eSTAR”, který jste koupili, programovým a přístrojovým zabezpečením;

- Informace, uvedené v krátkém návodu uživatele, mohou být změněny bez předběžného oznámení. Poslední verze je dostupná na webové stránce www.estar.eu;
- Kompletace výrobků a/nebo prodávaného příslušenství „eSTAR” se mohou lišit podle regionu/země;
- Kompletace výrobků „eSTAR” je určena právě pro tento model a může být nekompatibilní s jinými výrobky „eSTAR”;
- „eSTAR” nenese odpovědnost za poškození zařízení, způsobené použitím nekompatibilního příslušenství (nabíječek, sluchátek atd.);
- Dodatečné příslušenství, kompatibilní s výrobky „eSTAR”, můžete získat u regionálního představitele „eSTAR”;
- „eSTAR” nenese odpovědnost za chybějící informaci a poškození, způsobené nekorektním použitím hardware a programového vybavení, nebo za jiné nehody.

Bezpečnostní pokyny

Pro bezpečné použití zařízení aby se vyhnout úrazům a poruchám, přečtěte této informace:

- Použití sluchátek při vysoké hlasitosti může způsobit poruchu sluchu. Prosím, nastavte zvuk tak, aby neškodil vašemu sluchu;
- Pozor: vyhýbejte zasáhnutí elektrickým proudem, vzplanutí a výbuchu;
- Nedotýkejte se zařízení „eSTAR“, a také jeho částí vlhkými rukama, nepoužívejte zařízení během nabíjení;
- Netáhněte za drát nabíječky;
- Neohýbejte a jinými způsoby nepoškodte drát napájení;
- Nenabíjte zařízení vadným nebo poškozeným nabíjecím zařízením;
- Neházejte a netlučte nabíjecí zařízení nebo samotné zařízení.
- Nepoužívejte zařízení za bouřky – to může ovlivnit vadnou práci zařízení a zvýšit riziko zasáhnutí elektrickým proudem;
- V žádném případě nedemontuje zařízení samostatně;
- Při čištění obrazovky tabletu nebo smartphone nepoužívejte prostředky, obsahující alkohol, rozpuštědlo nebo benzen, toto může nevratně poškodit obrazovku zařízení;
- Většina výrobků „eSTAR“ není odolná proti vláze a vodě, když používáte výrobky „eSTAR“ za takových podmínek, toto může být nevratně poškozené;
- Netlačte obrazovku tabletu nebo smartphone příliš silně – toto může způsobit jeho poškození;
- Nepoužívejte zařízení během řízení – toto může způsobit dopravní nehodu.

Chraňte životní prostředí. Zabezpečte příslušnou utilizaci výrobku „eSTAR“

- Při utilizaci zařízení řiďte se místními pravidly a požadavky.
- Použijte firemní „eSTAR“ akumulátory a nabíjecí zařízení, vyrobené speciálně pro vaše zařízení. Při použití nekompatibilního nabíjecího zařízení můžete závažně poškodit nebo pokazit zařízení.
- Nedávejte zařízení do ohřívacích zařízení, například, do mikrovlnné trouby, sporáku nebo topného tělesa. Od nadměrného ohřevu akumulátor může vybuchnout.
- Netisknete a neprobodávejte zařízení. Zabezpečte, aby zařízení nebylo pod tlakem s venkovní strany – toto může způsobit vnitřní zkrat nebo přehřátí zařízení.



Tento symbol na zařízení, jeho příslušenství nebo v dokumentaci znamená, že nepoužitelné zařízení nebo jeho elektronické příslušenství (např. nabíjecí zařízení, sluchátka, USB kabel atd.) nesmí být zužitkována spolu s jiným komunálním odpadem. Vážené UŽIVATELE, chráňte sebe a životné prostředí, použijte možnost pomoci zachovat přírodu pro budoucích pokolení, třídte odpad a předávejte je na přepracování.

- Privátní osoby pro informaci o tom, jak a kam musí odevzdat takový elektronický odpad pro bezpečné přepracování, musí kontaktovat prodejci zařízení (prodejna, Internetová prodejna atd.) nebo místním správním orgány;
- Právnícké osoby pro informaci o tom, jak a kam musí odevzdat takový elektronický odpad pro bezpečné přepracování, musí kontaktovat dodavatele uvedeného zařízení nebo, když uzavřeli dohodu s organizací pro zužitkování elektronického odpadu, musí bezprostředně odevzdat ho na přepracování.



Znak CE (angl. „CE Marking“) na zboží (nebo na jejích obale) znamená, že toto zboží odpovídá požadavkům Evropské unie k bezpečnosti, zdraví a bezpečnosti životního prostředí.



Znak RoHS znamená, že detail jsou vyrobené z přepracované suroviny.

Důležité informace

- Akumulátor bude úplně nabitý, když ho nabijete a vybijete 2- 3 krát.
- Extrémní teploty (horko/zima) mohou deformovat vaše zařízení a zkrátí náboj baterie, toto může zkrátit životnost zařízení.

Použití zařízení v místech a prostorech s omezením použití

Varování: při použití zařízení v místech s omezením použití, řiďte se veškerými bezpečnostními předpisy.

- Vždy vypínejte zařízení tam, kde je zakázané jeho použití;
- Nepoužívejte zařízení poblíž jiných elektronických přístrojů;
- Většina elektronických přístrojů používá rádiové signály. Vaše zařízení může překážet fungování jiných elektronických přístrojů.
- Nepřibližujte zařízení ke kardiostimulátoru. Pokud možno, používejte ho ve vzdálenosti min 15 cm od kardiostimulátoru, protože zařízení může překážet práci kardiostimulátoru. Pro zamezení této situace držte zařízení na opačné straně od stimulatoru.
- Nepoužívejte zařízení v nemocnici nebo poblíž zdravotnického zařízení, kterému může překážet rádiové signály;
- Když používáte nějaké zdravotnické zařízení, kontaktujte se s výrobcem zařízení a přesvědčete se, že rádiové signály vašeho zařízení nepřekážejí jeho fungování;
- Vypínejte zařízení poblíž potenciálně výbušných míst;
- Vždy dodržujte směrnici, návody a význam značek v místech potenciálního nebezpečí výbuchu;
- Nepoužívejte zařízení během tankování (na čerpacích stanicích) nebo poblíž hořlavých, chemických látek;
- V tom místě, kde se nachází zařízení, jeho části nebo příslušenství, nesmí být uschované žádné hořlavé kapaliny, plyny nebo výbušné látky;
- Bezpečné řízení je vaší hlavní povinností. Nikdy nepoužívejte zařízení během řízení, když to je zakázáno pravidly;
- Vypínejte zařízení při vylétání a přistání letadla. Zařízení může překážet práci navigačního systému letadel.

Příslušná obsluha a práce s výrobky „eSTAR”

Zachovávejte zařízení suchým

- Vláhla a různé druhy kapalin mohou nevratně poškodit části zařízení nebo samotného výrobku;
- Nezapínejte vlhké zařízení. Když zařízení je už zapnuté, ihned vypněte ho a vyjměte baterii. Když zařízení nemůže být zapnuté nebo nemůžete vyjmout baterii, nečekejte nic, jen otřete zařízení ručníkem a odnesete do servisního střediska;
- Na poškození, způsobené vláhou, záruka výrobce se nevztahuje.

Nepoužívejte i neskladujte zařízení v zaprášených a znečištěných místech

- Prach, který dostal dovnitř zařízení, může porušit jeho práci.

Neskladujte zařízení na šikmém povrchu

- Jestliže zařízení sklouzne a padne, může být poškozené.

Neskladujte zařízení v horkých nebo chladných místech

- Používejte zařízení při teplotě -20 $+45$ °C;
- V horkém počasí zařízení, které se nachází v uzavřeném vozidle, může vybuchnout, protože teplota uvnitř automobilu může dosáhnout $+80$ °C;
- Nenechávejte zařízení na dlouhou dobu v místě které je vystavené přímému slunečnímu světlu (například, na panelu automobilu);

Neskladujte zařízení poblíž magnetických polí

- Kvůli vlivu magnetických polí zařízení může začít fungovat nesprávně nebo akumulátor může být ihned vybitý;

Neklad'te zařízení poblíž vytopných těles nebo na nich, a také na mikrovlnnou troubu, zařízení pro vaření nebo poblíž kontejnerů s vysokým tlakem

- Zařízení se může přehřát, vyvolat vzplanutí nebo vybuchnout.

Nedovolujte, aby zařízení spadlo, a také úderů zařízení

- Může být rozbitá obrazovka zařízení;
- Při ohýbání a deformaci zařízení může být poškozené nebo jeho části můžou začít nesprávně fungovat.

Nedovolujte, aby Vaše zařízení se dotýkalo jiných kovových předmětů: mincí, klíčů, řetízků

- Zařízení nebo obrazovka můžou být odřené.

Chraňte oči od nebezpečného vlivu světelných záblesků

- Místnost, ve které používáte zařízení, musí být minimálně osvětlená, nepřibližujte obrazovku příliš blízko k očím.
- Dlouhé prohlédnutí filmů nebo použití videohry kvůli jasné zsvěcenosti může dočasně oslabit zrak. Když pocítíte nepříjemné příznaky, ihned vypněte zařízení.

Snižte riziko zranění v důsledku vícekrát opakovaných pohybů

- Když trvale uskutečňujete stejné pochyby: tlačíte tytéž tlačítka během vysázení textu, hry, můžete pocítit nepříjemný pocit v rukou, krku, ramenech nebo jiných částech těla. Během dlouhého použití zařízení držte ho uvolněnou rukou, bez úsilí, doporučujeme, abyste měli pravidelné přestávky. Když při správném použití zařízení stejně cítíte nepříjemné symptomy, přestaňte používat zařízením a obraťte se k lékaři.

Zabezpečte maximální životnost akumulátoru a nabíjecímu zařízení

- Nedovolujte, aby akumulátor se nabíjel déle jednoho týdne, protože nadbytečné nabíjení může

zkrátit životnost akumulátoru.

- Časem nepoužívané akumulátory se vybíjí a před použitím musíte znovu je nabít.
- Nepoužívané nabíjecí zařízení musí být odpojené od napájení.

Chraňte sluch během použití sluchátek

- Hlasitý zvuk může vyvolat poruchu sluchu;
- Hlasitý zvuk během řízení může odvést pozornost a přivést k nehodě;
- Vždy snižujte hladinu hlasitosti před připojením sluchátek k zdroji zvuku. Nastavte minimální hladinu hlasitosti, potřebnou pro hovor nebo poslechu hudby;
- Když se nacházíte v suché místnosti, v sluchátkách může být vytvořená statická elektřina. Snažte se nepoužívat sluchátka v suché místnosti nebo před připojením sluchátek k zařízení dotkněte jimi kovový předmět, aby vznikl výboj statické elektřiny.

Při použití zařízení při chůze nebo při pohybech dodržujte bezpečnostní opatření

- Aby vyhnout se zranění a nenanést je jiným, vždy pozorujte, co se děje kolem Vás.

Nedemontujte, nemodifikujte a neopravujte zařízení samostatně

- Po uskutečnění jakékoliv změny nebo modifikace (včetně nepovolených změn v programovém zabezpečení výrobce), ztratíte záruku výrobce. Odneste nefungující zařízení „eSTAR” do nejbližšího příslušného servisního střediska „eSTAR”;
- Nebarvěte zařízení a nelepte na něj nálepky.

Návod na čištění zařízení:

- Čistěte zařízení a nabíjecí zařízení akumulátorů suchým ručníkem/houbou nebo speciálními, určenými na to prostředky.
- Nečistěte zařízení chemickými nebo dezinfekujícími prostředky.

Nepoužívejte zařízení, když obrazovka je rozbitá nebo pokažená

- Rozbité sklo může způsobit zranění vašich rukou nebo tváře. Odneste zařízení do servisního střediska „eSTAR” na opravu.

Používejte zařízení pouze účelně

Při použití zařízení ve veřejném místě snažte se nerušit jiných lidí

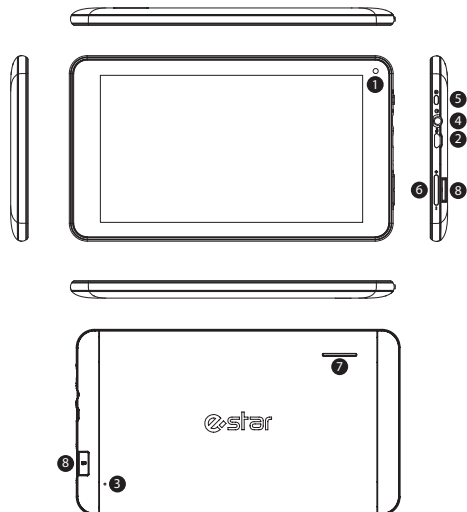
Dávejte pozor na SIM kartu a na paměťovou kartu

- Nevytahujte kartu, když zařízení posílá nebo získává informace, protože můžete ztratit údaje a (nebo) poškodit kartu nebo zařízení.
- Chraňte kartu od úderů, statické elektřiny a elektrického rušení, způsobeného jinými zařízeními.
- Nedotýkejte se zlatavých kontaktů nebo svorek paměťové karty prsty nebo kovovými předměty. Když jsou špinavé, očiňte kartu měkkou tkaninou.

Zabezpečte vaši osobní i další důležité údaje

- Při použití zařízení nezapomeňte udělat rezervní kopii důležitých údajů. „eSTAR” nenese odpovědnost za ztracené údaje;
- Když dáváte zařízení do opravy do příslušného servisního střediska „eSTAR”, když existuje taková možnost, udělejte kopii důležitých údajů a smažte důležitou pro vás informaci, která se nachází na zařízení. „eSTAR” nenese odpovědnost za ztracené údaje;
- Před obnovením programového vybavení zařízení a před vrácením k původním nastavením („Factory Reset”) zabezpečte rezervní kopie důležitých údajů;
- Při zrušení vašeho zařízení přesvědčete se, že v něm nezůstaly žádné důležité pro vás nebo vaši osobní informace;
- Při krádeži nebo ztrátě zařízení nezapomeňte vyměnit hesla vašich evidenčních záznamů, aby zabezpečit vaše osobní informace.

Základní části zařízení



	Funkce/vysvětlení
1.	Čelní foto/videokamera
2.	USB vstup (USB Socket)
3.	Reset
4.	Vstup pro sluchátka
5.	Zapínací/ vypínací tlačítko (Power button)
6.	Tlačítko regulace hladiny hlasitosti (VOL+/VOL button)
7.	Reproduktory
8.	Otvor pro Micro SD (HC)

Nabíjení akumulátoru



- Před prvním použitím zařízení úplně nabijte akumulátor;
- Používejte pouze nabíjecí zařízení „eSTAR“, určené právě pro vaše zařízení. Jiné nabíjecí zařízení mohou přivést k nevratnému poškození zařízení.

Zapnutí/vypnutí zařízení

- Pro zapnutí zařízení stlačte Zapínací/ vypínací tlačítko (Power). Když zařízení se nezapíná, přesvědčete se, že zařízení je nabitě;
- Při prvním zapnutí zařízení nastavte ho podle návodu na obrazovce. Pro použití aplikací, které pracují s „Google™“, je nutno zaregistrovat nový nebo otevřít existující Google account;
- Pro vypnutí zařízení stlačte Zapínací/ vypínací tlačítko (Power)..

Poznámka: Pro návrat k původním nastavením programového zabezpečení, např., v případě, jestli program zamrzl, stlačte a držte Zapínací/ vypínací tlačítko (Power) do restartování zařízení.

Připojení zařízení k internetu

- Pro připojení zařízení k internetu použijte funkci WiFi (WLAN):
 Settings →  WLAN-ON. Při připojení zařízení k WiFi (WLAN) pravděpodobně bude nutno zadat heslo;
- Jestli zařízení může používat mobilní údaje (2G/3G/4G), tuto funkci můžete zapnout takto: Settings Mobile data- ON. Pro další návody, spojené s nastaveními, prosím, obraťte se k mobilnímu operátoru. Pozor ! Za připojení a spuštění údajů může být vybrán doplatek. Více informací o sazbách poskytne váš mobilní operátor

* Google, Google Play jsou ochranné známky společnosti Google Inc.

„eSTAR“ smarttoestel

Model Nr.:

eSTAR BEAUTY 2 HD Quad Core



Bedankt voor de aanschaving van eSTAR smarttoestel. Voordat u het toestel gebruikt raden wij u aan deze beknopte gebruikershandleiding zorgvuldig door te lezen. Uitgebreide gebruiksaanwijzingen kunt u op de website www.estar.eu vinden.

Obsah krátkého návodu uživatele se může lišit od typu „eSTAR”, který jste koupili, programovým a přístrojovým zabezpečením;

- In de beknopte gebruikershandleiding gegeven informatie kan gewijzigd worden zonder een voorafgandelijke raadpleging. De laatste versie is op de website www.estar.eu beschikbaar;
- De batterijen en opladers van producten en/of te koop aangeboden eSTAR accessoires kunnen verschillen afhankelijk van de regio/land;
- Gebruik alleen door eSTAR goedgekeurde batterijen en opladers die speciaal zijn ontworpen voor uw toestel. Als u een incompatibele batterij en oplader gebruikt kan die ernstig letsel of schade aan uw toestel veroorzaken;
- eSTAR is niet verantwoordelijk voor de gebreken van het toestel die door de onverenigbaarheid van accessoires zijn veroorzaakt (opladers, kooptelesfoon en etc.);
- Aanvullende accessoires die met producten van eStar compatibel zijn kunt u bij de regionale vertegenwoordiger van eStar aanschaffen;
- eSTAR is niet verantwoordelijk voor de ontbrekende informatie en gebreken die door het ondeskundig gebruik van software en hardware of door de andere ongevallen zijn veroorzaakt.

Veiligheidsmaatregelen

Om letsel aan uzelf en anderen of schade aan het toestel te voorkomen, moet u de veiligheidsinformatie over uw toestel zorgvuldig lezen voordat u het toestel gebruikt:

- Overmatige blootstelling aan harde geluiden tijdens het gebruik van kooptelesfoon kan leiden tot gehoorbeschadiging. Pas alstublieft het geluidsvolume aan zodat uw gehoor niet beschadigd kan worden;
- Let op: Voorkom elektrische schokken, brand of explosies;
- Raak het eSTAR toestel evenals de onderdelen niet aan met natte handen, gebruik het toestel niet tijdens het opladen;
- Haal de oplader niet uit het stopcontact door aan het elektriciteits snoer te trekken;
- Buig of met andere wijze beschadig het elektriciteits snoer niet;
- Laad het toestel nooit op met een beschadigde of defectieve oplader;
- Laat de oplader of het toestel zelf niet vallen en zorg dat het nergens tegenaan stoot.
- Maak geen gebruik van het toestel tijdens een onweersbui. Dat kan de werking van het toestel beïnvloeden en het risico van elektrische schok vergroten;
- Haal het toestel zelf nooit uit elkaar;
- Bij het schoonmaken van tabletcomputer of smartphone mag u geen middelen die alcohol, oplosmiddel of benzeen bevatten gebruiken. Dat kan het beeldscherm van het toestel definitief beschadigen;
- De meeste producten van eSTAR zijn niet tegen het vocht en water bestendig. Het gebruik van producten van eSTAR in z'n omstandigheden kan tot een definitieve beschadiging van het toestel leiden;
- Druk niet te hard op het beeldscherm van tabletcomputer of smartphone. Dit kan tot beschadiging van toestel leiden;
- Gebruik het toestel niet tijdens een autorijden. Dit kan tot een verkeersongeluk leiden.

Bescherm het milieu. Zorg voor de gepaste afvalverwijdering van eSTAR product

- Om mogelijke schade aan het milieu door de ongecontroleerde afvalverwijdering te voorkomen moet u deze artikelen op een verantwoorde manier recyclen.
- Gebruik de door eSTAR goedgekeurde batterij en opladers die speciaal voor uw toestel zijn ontworpen. Als u een incompatibele batterij en oplader gebruikt, kan die ernstig letsel of schade aan uw toestel veroorzaken.
- Leg het toestel nooit in of op de verwarmingsapparaten, zoals een magnetron, kachel of radiator. Door de overmatige verhitting kan de batterij exploderen.
- Knijp het toestel niet en prik geen gaten daarin. Zorg ervoor dat de buitenkant van het toestel niet onder de druk komt te staan. Dit kan tot een interne kortsluiting leiden of een oververhitting van het toestel veroorzaken.



Dit symbool op het toestel of de accessoires in de documentatie geeft aan dat het niet gebruikte toestellen of hun elektronische accessoires (zoals: oplader, koptelefoon, USB-kabel eb etc.) mogen niet met de andere bedrijfsafval voor verwijdering worden gemengd. GEBRUIKER, zorg voor uzelf en voor het beter milieu, neem de kans om bij te dragen aan het behoud van de natuur voor de toekomstige generaties, scheid de

afgedankte accu's en batterijen van andere soorten afval voor recycling.

- Voor de informatie over waar en hoe het elektronische afval voor de veilige recycling afgevoerd kan worden moeten de huishoudelijke gebruikers contact opnemen met de winkel (online internetwinkel en etc) waar ze dit product gekocht hebben of zich tot lokale bestuurorganen wenden;
- Voor de informatie over waar en hoe het elektronische afval voor de veilige recycling afgevoerd kan worden moeten de zakelijke gebruikers contact opnemen met de leverancier van deze apparatuur of in het geval van koopovereenkomst afgesloten tussen de zakelijke gebruiker en de organisatie voor recycling van elektronische afval direct met deze organisatie contact opnemen.



CE-markering (in het engels " CE-markering ") op het product (of de verpakking) geeft aan dat dit product voldoet aan de eisen van de Europese Unie. Onder andere op het gebied van veiligheid, gezondheid en milieu.



RoHS-teken geeft aan dat de onderdelen zijn uit gerecycled materiaal gemaakt.

Belangrijke informatie

- Batterij is volledig geladen als deze 2-3 keer geladen en ontladen is.
- Door extreme temperaturen (warmte/koude) kan het toestel vervormen en kunnen de oplaadcapaciteit en levensduur van het toestel en batterijen afnemen.

Het gebruik van toestel in een gesloten ruimte of plaats

Let op: tijdens het gebruik van toestel in gesloten ruimte of plaats leef alle veiligheidsvoorschriften na.

- Schakel het toestel altijd uit op de plaatsen waar het verboden is het toestel te gebruiken;
- Gebruik het toestel niet in de buurt van andere elektronische apparaten;
- De meeste elektronische apparaten gebruiken radiofrequente signalen. Het toestel kan storing veroorzaken op andere elektronische apparaten.
- Gebruik het toestel niet in de buurt van een pacemaker. Vermijd indien mogelijk het gebruik van het toestel binnen 15 cm van een pacemaker omdat het toestel storing kan veroorzaken op de pacemaker. Om mogelijke storing van een pacemaker te minimaliseren, moet u het toestel alleen gebruiken aan de kant van uw lichaam waar de pacemaker zich niet bevindt.
- Gebruik het toestel niet in een ziekenhuis of in de buurt van medische apparatuur die gevoelig is voor radiofrequente signalen;
- Als u medische apparatuur gebruikt, moet u contact opnemen met de fabrikant van de apparatuur voordat u het toestel gebruikt om te bepalen of de apparatuur wordt beïnvloed door de radiofrequenties die worden uitgezonden door het toestel;
- Schakel het toestel uit in omgevingen met potentieel explosiegevaar;
- Houdt u aan alle voorschriften, instructies en tekens altijd in omgevingen met potentieel explosiegevaar;
- Gebruik uw toestel niet bij benzinepompen (bij het tankstation) of in de buurt van brandstoffen en chemische middelen;
- Bewaar geen ontvlambare vloeistoffen, gassen en explosief materiaal in dezelfde ruimte als het toestel of de onderdelen of accessoires van het toestel;
- Veilig rijden is uw eerste verantwoordelijkheid. Gebruik het toestel nooit tijdens het rijden als het door de regels niet toegestaan is;
- Schakel het toestel uit tijdens het opstijgen en landen van een vliegtuig. Het toestel stoort mogelijk de werking van navigatiesysteem van het vliegtuig.

Het eSTAR product goed onderhouden en gebruiken

Houd het toestel droog

- Vocht en diverse soorten vloeistoffen kunnen de onderdelen van het toestel of het product zelf permanent beschadigen;
- Schakel het toestel niet in als dit nat is. Als het toestel al is ingeschakeld, schakel u het uit en verwijderd u de batterij onmiddellijk. Als u het toestel niet kunt uitgeschakelen of de batterij niet kunt verwijderen, laat u dit zo. Maak het toestel vervolgens met een handdoek droog en breng het naar het servicecenter;
- Garantie van de fabrikant geldt niet voor de gebreken die door het vocht zijn veroorzaakt.

Gebruik uw toestel niet op plaatsen met hoge concentraties stof en bewaar het toestel ook niet op stoffige of vuile plaatsen

- Stof of vreemde materialen kunnen zorgen voor een storing in uw toestel.

Bewaar uw toestel alleen op een vlakke ondergrond

- Als het toestel glijdt en naar beneden valt kan het beschadigd raken.

Het toestel niet in de warme of koude plaatsen bewaren

- U kunt het toestel het beste gebruiken bij een temperatuur tussen -20 en +45 °C;
- Bij een warme weer kan uw toestel exploderen als het wordt achtergelaten in een afgesloten voertuig omdat de interne temperatuur tot 80 °C kan oplopen;
- Stel het toestel niet gedurende lange tijd aan direct zonlicht bloot (bijvoorbeeld op het dashboard van een auto);

Bewaar het toestel niet in de buurt van magnetische velden

- Het toestel kan worden beschadigd of de batterij kan worden ontladen bij blootstelling aan magnetische velden;

Bewaar het toestel niet dichtbij of in verwarmingsapparatuur, magnetrons, warme kooktoestellen of hogedrukcompartimenten

- Het toestel kan oververhit raken, brand veroorzaken of exploderen.

Laat het toestel niet vallen en stel het niet bloot aan plotselinge schokken

- Het scherm van het toestel kan beschadigd raken;
- Als het toestel wordt verbogen of vervormd, kan het beschadigd raken of functioneren onderdelen wellicht niet meer goed.

Zorgt u ervoor dat uw toestel niet in aanraking komt met metalen voorwerpen zoals munten, sleutels en kettingen

- Er kunnen krassen op het beeldscherm komen of dit kan defect raken.

Wees voorzichtig wanneer u wordt blootgesteld aan flikkerend licht

- Wanneer u het toestel gebruikt, moet u enkele lampen laten branden in de kamer waar u zich bevindt en het scherm niet te dicht bij uw ogen houden.
- Gezichtsvermogen kan tijdelijk aangetast worden wanneer u langere tijd wordt blootgesteld aan flikkerend licht terwijl u video's bekijkt of flash-games speelt. Als u enig ongemak bespeurt, moet u onmiddellijk ophouden het toestel te gebruiken.

Het risico op letselschade van herhaaldelijk dezelfde acties te verkleinen

- Wanneer u herhaaldelijk dezelfde acties uitvoert, zoals drukken op toestelen, tekens met uw vingers schrijven op een aanraakscherm of games spelen, kunt u af en toe enig ongemak bespeuren in uw handen, nek, schouders of andere delen van uw lichaam. Wanneer u het toestel langere tijd gebruikt, moet u het toestel losjes vasthouden, de toetsen licht indrukken en regelmatig pauze nemen. Als u ongemak ondervindt tijdens of na dergelijk gebruik, moet u het toestel niet meer gebruiken en contact opnemen met een arts.

Zorg voor maximale prestaties en optimale levensduur van batterij en de oplader

- Laat uw toestel niet langer dan één week opladen, omdat de levensduur van de batterij kan afnemen als gevolg van overladen.
- Een niet-gebruikt toestel raakt op den duur ontladen en moet opnieuw worden opgeladen voordat het weer gebruikt kan worden.
- Haal de stekker van de oplader uit het stopcontact wanneer u de oplader niet gebruikt.

Uw gehoor beschermen wanneer u een koptelefoon gebruikt

- Overmatige blootstelling aan harde geluiden kan leiden tot de gehoorbeschadiging;
- Blootstelling aan harde geluiden tijdens het rijden, kan de aandacht afleiden en een ongeval veroorzaken;
- Zet het geluidsvolume altijd laag voordat u de koptelefoon aansluit op een geluidsbron. Gebruik alleen het minimale geluidsniveau dat nodig is om uw gesprek of muziek te kunnen horen;
- In droge omgevingen kan statistische elektriciteit zich verzamelen in de koptelefoon. Vermijd het gebruik van koptelefoon in droge omgevingen of raak een metalen voorwerp aan om statische elektriciteit te ontladen voordat u een koptelefoon aansluit op het toestel.

Wees voorzichtig als u het toestel gebruikt tijdens het wandelen of wanneer u zich verplaatst

- Wees u altijd bewust van uw omgeving om letsel voor uzelf of anderen te vermijden.

Haal uw toestel nooit uit elkaar, breng er geen wijzigingen in aan en probeer het niet te repareren

- Door wijzigingen of aanpassingen (inclusief de onbevoegde wijzigingen in de software van de fabrikant) van het toestel kan de garantie van de fabrikant vervallen. Breng het defecte toestel naar de nabijgelegen eSTAR servicecenter;
- Verf het toestel niet en plak geen stickers op het toestel.

Als u het toestel schoonmaakt, gaat u als volgt te werk:

- Veeg het toestel of oplader met een droge doek/spons of speciale middelen die ervoor zijn bestemd.
- Gebruik geen chemicaliën of schoonmaakmiddelen.

Gebruik het toestel niet als het beeldscherm gebarsten of gebroken is

- Gebroken glas kan leiden tot letsel aan uw handen of gezicht. Breng het toestel naar eSTAR klantendienst centrum voor reparatie.

Gebruik het toestel voor geen andere doel dan waarvoor het bedoeld is.

Probeer andere mensen niet te storen wanneer u het toestel in het openbaar gebruikt.

Wees voorzichtig met SIM-kaarten of geheugenkaarten

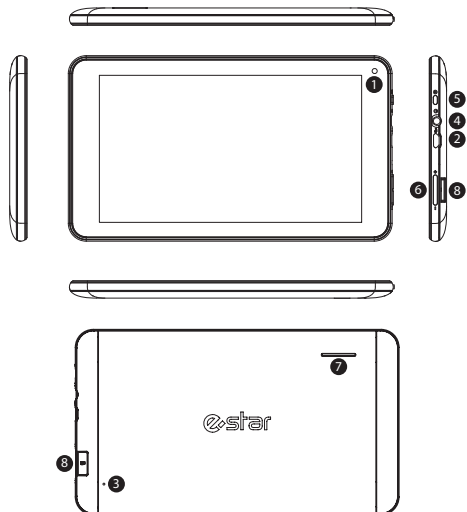
- Verwijder een kaart niet als het toestel bezig is met de overdracht of het ophalen van gegevens. Dit kan leiden tot gegevensverlies en/of schade aan de kaart of het toestel.
- Bescherm kaarten tegen sterke schokken, statische elektriciteit en elektrische storing van andere toestellen.
- Raak geen goudkleurige contactpunten of polen aan met uw vingers of met metalen voorwerpen. Veeg, indien nodig, geheugenkaarten schoon met een zachte doek.

Uw persoonlijke en andere belangrijke gegevens beveiligen

- Wanneer u het toestel gebruikt moet u een back-up van belangrijke gegevens maken. eSTAR is niet verantwoordelijk voor het verlies van gegevens;
- Wanneer u het toestel naar bevoegde servicecenter van eSTAR brengt dan, indien mogelijk, maak de kopies van de belangrijke gegevens en verwijder de belangrijke voor u informatie vanuit het toestel. eSTAR is niet verantwoordelijk voor het verlies van uw gegevens;
- Voordat u de software van de fabrikant's instellingen (Factory Rese) gaat herstellen zorg voor de back-up kopies van de belangrijke gegevens;
- Wanneer u het toestel weggooit zorg ervoor dat er geen belangrijke voor u informatie er overblijft;
- In het geval dat u uw toestel kwijtraakt of dit wordt gestolen, wijzigt u de wachtwoorden voor uw accounts om uw persoonlijke gegevens te beschermen.

Hoe te beginnen

Voornaamste onderdelen van het toestel



	Funcie/toelichting
1.	Voorste foto /videocamera
2.	USB aansluiting (USB Socket)
3.	Reset
4.	Koptelefoon aansluiting
5.	Aan/uit-knop (Power button)
6.	Volumeregeling knop (VOL+/VOL- button)
7.	Luidsprekers
8.	Sleuf voor Micro SD(HC) kaart

Batterij opladen




- Laad de batterij de eerste keer vóór het gebruik van toestel volledig op;
- Gebruik alleen de opladers van eSTAR die voor uw toestel ontworpen zijn. Andere opladers kunnen een blijvende schade aan het toestel veroorzaken.

Het toestel in- of uitschakelen

- Om het toestel in te schakelen druk u op de knop AAN/UIT (Power). Als het toestel niet inschakelt controleer of het toestel opgeladen is;
- Wanneer u het toestel voor de eerste keer inschakelt zet het op het scherm volgens de gebruiksaanwijzingen. Om toepassingen te gebruiken die interageren met „Google™“ moet u de nieuwe of al bestaande „Google Account“ registreren;
- Om het toestel uit te schakelen druk u op de knop AAN/UIT (Power).

Opmerking: Om de instellingen van software van fabrikant te herstellen, bijvoorbeeld in het geval dat het programma is vastgelopen, houdt u de AAN/UIT knop (Power) ingedrukt totdat het toestel is opnieuw opgestart.

Sluit het toestel aan op internet

- Om het toestel op internet aan te sluiten gebruik de functie WiFi (WLAN):
 →  Settings →  WLAN-ON. Om een toegang tot WiFi (WLAN) te kunnen krijgen moet u waarschijnlijk een wachtwoord invoeren;
- Indien het toestel een mogelijkheid heeft om mobiele data (2G/3G/4G) te kunnen gebruiken zodat u deze functie als volgt te kunnen inschakelen: Settings-Mobile data-ON. Voor verdere instructies met betrekking tot de instellingen neemt u maar contact op met uw serviceprovider. Let op!! Voor de aansluiting en het downloaden van gegevens kan de aanvullende betaling in rekening worden gebracht. Voor meer informatie over de tarieven neemt u maar contact met uw serviceprovider op.

* Google, Google Play zijn handelsmerken van Google Inc..

“eSTAR“ smart-zariadenie
Model č.:
eSTAR BEAUTY 2 HD Quad Core



e-star

www.estar.eu

Ďakujeme vám za zakúpenie smart-prístroj “eSTAR “. Pred začatím užívania odporúčame prečítať krátky návod na užívateľa. Podrobné pokyny nájdete na webovej stránke www.estar.eu. Obsah krátkeho návodu na použitie sa môže líšiť od typu “eSTAR “, ktorý ste si kúpili programovým a prístrojovým zabezpečením;

- Informácie, uvedené v krátkem návodu užívateľa, môžu byť zmenené bez predchádzajúceho upozornenia. Najnovšia verzia je k dispozícii na webovej stránke www.estar.eu ;
- Zloženie výrobkov a/alebo predávané príslušenstvo “eSTAR \” sa môže líšiť podľa regiónu/krajiny;
- Zloženie je určené len pre tento model a môže byť nekompatibilné s inými produktmi “eSTAR “;
- “eSTAR “ nie je zodpovedná za poškodenie zariadenia, spôsobené používaním nekompatibilného príslušenstva (nabíjačov, slúchadel, atď.);
- Ďalšie doplnky kompatibilné s produktmi “eSTAR”, môžete získať u regionálneho zástupcu “eSTAR”;
- “eSTAR “ nie je zodpovedná za chýbajúce informácie a škody, spôsobené nesprávnym používaním hardvéru a softvéru, alebo za iné nehody.

Bezpečnostné pokyny

Pre bezpečné používanie prístroju, aby zabránil nehodám a porucham, prečítajte tieto informácie:

- Overmatige blootstelling aan harde geluiden tijdens het gebruik van kooptelefoon kan leiden tot gehoorbeschadiging. Pas alstublieft het geluidsvolume aan zodat uw gehoor niet beschadigd kan worden;
- Používanie slúchadiel pri vysokej hlasitosti môže poškodiť sluch. Nastavte zvuk, aby neškodil vášmu sluchu;
- Upozornenie: vyhýbajte sa zasiahnutiu elektrickým prúdom, vzplanutiu a výbuchu;
- Nedotýkajte prístroja “eSTAR”, a tiež jeho častí s mokrými rukami, nepoužívajte prístroj počas nabíjania;
- Nepoužívajte Netiahnite za drôt nabíjača;
- Neohýbajte a nepoškodte inými spôsobmi kábel napajania;
- Nenabíjajte zariadenia vadnou alebo poškodeným nabíjačom;
- Nehádzajte a netlučte prístroj alebo nabíjač.
- Nepoužívajte prístroj počas búrky. Toto môže ovlivniť prácu zariadenia a zvýšiť riziko zasiahnutia elektrickým prúdom;
- V žiadnom prípade nedemontuje zariadenie samostatne;
- Pri čistení obrazovky tabletu alebo smartphone nevyužívajte prostriedky obsahujúce alkohol, rozpúšťadlá alebo benzén, to môže nenávratne poškodiť displej prístroju;
- Väčšina výrobkov “eSTAR “ nie je odolná proti vlaha a vode, pri použití výrobkov “eSTAR” v takých podmienkach vlaha a voda môžu nenávratne poškodiť prístroj;
- Netlačte obrazovku tabletu alebo smartphone príliš silno – to môže spôsobiť jeho poškodenie;
- Nepoužívajte prístroj počas riadenia vozidla – to môže spôsobiť dopravnú nehodu.

Chráňte okolité prostredie. Zabezpečte príslušnú utilizáciu výrobku “eSTAR”

- Pri utilizácii prístroju postupujte podľa miestnych pravidiel a požiadaviek.
- Použiť firemné batérie a nabíjače “eSTAR “, vyrobené špeciálne pre váš prístroj. Ak použijete nekompatibilný nabíjač, to môže vážne poškodiť alebo pokaziť prístroj.
- Nedávajte prístroj blízko vyhrievacích zariadení, napríklad mikrovlnnej piečky, kachle alebo ohrievača. V dôsledku nadmerného zahrievania batéria môže explodovať.
- Nelaďte a neprobodávejte prístroj. Zabezpečte, aby prístroj nebol pod tlakom z vonkajšej strany – to môže spôsobiť vnútorný skrat alebo prehriatie prístroja.



Tento symbol na prístroje, jeho príslušenstve alebo dokumentácii znamená, že nepoužiteľný prístroj alebo jeho elektronické príslušenstvo (ako sú nabíjačky, slúchadlá, USB kábel, atď.) nesmú byť zužitkované spolu s iným domovým odpadom. Vážení UŽÍVATELIA, chráňte seba a okolné prostredie, využijte príležitosť pomôcť zachovať prírodu pre budúce generácie, triedte odpad a odnášajte ho na prepracovanie.

- Súkromné osoby pre informácie o tom, ako a kde sa zbaviť tohto elektronického odpadu pre bezpečné prepracovanie, musí kontaktovať predajcu prístroju (obchod, internetový obchod, atď.) alebo miestne správne orgány;
- Právnické osoby pre informácie o tom, ako a kde sa zbaviť tohto elektronického odpadu pre bezpečné prepracovanie, musí kontaktovať dodávateľa prístroja alebo, ak uzavreli dohodu s organizáciou pre prepracovanie elektronického odpadu, musí bezprostredne doručiť ho mu na prepracovanie.



Označenie CE (angl. "CE Marking") na tovare (alebo na jeho obale) označuje, že tento produkt spĺňa požiadavky Európskej únie k bezpečnosti, zdraví a environmentálnej bezpečnosti.



Označenie RoHS znamená, že diel je vyrobený z prepracovaných surovín.

Dôležité informácie

- Batéria bude úplne nabitá keď ju nabijete a vybijete 2 - 3 krát.
- Extrémne teploty (horúčava/zima) môžu deformovať váš prístroj a skrátiť nabíjanie batérii, toto môže skrátiť životnosť prístroju.

Použitie prístroju v miestach a priestoroch s obmedzeniami na použitie

Upozornenie: pri použití prístroju v miestach s obmedzeným použitím dodržujte všetky bezpečnostné predpisy.

- Vždy vypnite svoj prístroj, keď je zakázané je použitie;
- Nepoužívajte prístroj v blízkosti iných elektronických zariadení;
- Väčšina elektronických zariadení využíva rádiové signály. Váš prístroj môže prekážať fungovaniu iných elektronických zariadení.
- Nepribližujte prístroj do kardiostimulátorov. Ak je to možné, používajte ho v diaľke, min. 15 cm od kardiostimulátora, pretože zariadenie môže prekážať práci kardiostimulátora. Ak chcete uniknúť tejto situácii, držte prístroj na opačnej strane od kardiostimulátora.
- Nepoužívajte zariadenie v nemocnici alebo v blízkosti zdravotníckych prístrojov, ktorým môžu prekážať rádiové signály;
- Keď používate nejaké zdravotnícke zariadenie, obráťte sa na výrobcu zariadenia a uistite sa, že rádiové signály vášho prístroja nebudú prekážať jeho fungovaniu;
- Vypnite prístroj v blízkosti potenciálne nebezpečných proti výbuchu miest;
- Vždy postupujte podľa smerníc, návodov a značiek v miestach potenciálneho nebezpečenstva výbuchu;
- Nepoužívajte prístroj počas tankovania (na čerpacej stanici) alebo nepoužívajte v blízkosti horľavých látok a chemikálií;
- Na tom mieste, kde sa nachádza prístroj, jeho súčasti alebo príslušenstvo, sa nesmú byť žiadne horľavé kvapaliny, plyny alebo nebezpečné proti výbuchu látky;
- Bezpečná jazda je vaša hlavná povinnosť. Nikdy nepoužívajte prístroj pri jazde, keď to je zakázané pravidlami;
- Vypnite prístroj, pri odletu a pristátí lietadla. Prístroj môže prekážať práci navigačného systému lietadla.

Vhodné zaobchádzanie a práca s výrobkami “eSTAR”

Zachovávajújte prístroj v suchu

- Vlhkosť a rôzne druhy tekutín môžu nenávratne poškodiť časť prístroju alebo samotný prístroj;
- Nezapínajte vlhký prístroj. Ak je prístroj zapnutý, ihneď ho vypnite a vyberte z neho batériu. Ak prístroj nemôže byť zapnutý, alebo nemôžete vybrať batériu, nemusíte nič robiť, len otrite prístroj uterákom a odnesťte do servisného strediska;
- Na škody spôsobené vlhkosťou, sa nevzťahuje záruka výrobcu.

Nepoužívajte prístroj v prašných a znečistených miestach

- Prach, ktorý dostal dovnútra zariadenia, môže pokáziť jeho prácu.

Nedávajújte prístroj do šikmého povrchu

- Ak prístroj pošmykne a spádne, v dôsledku môže byť poškodený.

Neuchovávajújte zariadenie v horúcich alebo chladných miestach

- Používajte prístroj pri teplote -20+45 °C;
- V horúcom počasí prístroj, ktorý sa nachádza v uzavretom vozidle môže vybuchnúť, pretože teplota vo vnútri automobilu môže dosiahnuť 80 °C;
- Nenechávajújte prístroj na dlhú dobu v mieste, ktoré je vystavené priamemu slnečnému žiareniu (napríklad na panelu auta);

Neuchovávajújte prístroj v blízkosti magnetických polí

- Prístroj pod vplyvom magnetického poľa môže začať fungovať nesprávne, alebo batérie môže byť okamžite vybitá;

Nedávajújte prístroj v blízkosti vytopných teles alebo na nich, a blízkosti na mikrovlnnej pečicy, zariadenia na varenie alebo v blízkosti nádob s vysokým tlakom

- Prístroj môže sa prehriať, vzplanúť alebo explodovať.

Nenechajte, aby prístroj spadol, a tiež vyhýbajte sa udierom prístroju

- Obrazovka prístroju môže sa rozbiť
- Pri ohýbaní a deformácii prístroj môže byť poškodený, alebo jeho časti môžu začať fungovať nesprávne.

Nedovoľujte, aby váš prístroj dotýkal sa kovových predmetov: mincou, kľúčov, retiazkov

- Prístroj alebo obrazovka môžu byť ošarpané.

Chráňte oči pred škodlivými účinkami blikov svetla

- Miestnosť, v ktorej používate zariadenie, musí byť aspoň osvetlená, nepribližujte obrazovku príliš blízko do očí.
- Dlhé pozeranie filmov alebo používanie videohier kvôli jasné osvetlenosti môže dočasne oslabiť zrak.
- Ak pocítite, nepríjemné príznaky, okamžite vypnite prístroj.

Znížte riziko poranenia v dôsledku viackrát opakovaných pohybov

- Ak trvale uskutočňujete stejné pochyby: tlačíte rovnaké tlačidlá počas výsadby textu, hry, a môžete pocítiť nepríjemný pocit v rukách, krku, alebo v iných častiach tela. Počas dlhého použitia prístroja, držte ho uvoľnenou rukou, bez námahy, odporúčame robiť pravidelné prestávky. Pri správnom používaní vybavenia, ako cítite nepríjemné príznaky, zastavte používanie prístroju a konzultujte sa s lekárom.

Zabezpečiť maximálnu životnosť akumulátoru a nábijača

- Nedovoľujte, aby akumulátor nabíjal sa dlhšie jedného týždňa, pretože nadbytočné nabíjanie môže

skrátit životnosť akumulátora.

- S časom nepoužitý akumulátor sa vybije a pred použitím musíte nabiť ho znova.
- Nepoužívaný nabíjač musí byť odpojený od napájania.

Chráňte svoj sluch keď používate slúchadlá

- Hlasný zvuk môže spôsobiť poruchy sluchu;
- Hlasný zvuk počas jazdy môže odvrátiť vašu pozornosť a priviesť k nehode;
- Vždy znižujte hladinu hlasitosti zvuku pred pripájaním slúchadla k zdroju zvuku. Nastavte minimálnu hladinu hlasitosti, potrebnú pre hovor alebo počúvanie hudby;
- Keď sa nachádzate v suchej miestnosti, v slúchadlách môže byť vytvorená statická elektrina. Skúste nepoužívať slúchadlá v suchej miestnosti alebo pred pripojením slúchadla k prístroju dotknite slúchadlami kovový predmet, aby vznikol výboj statickej elektriny.

Pri používaní zariadenia pri chôdzi alebo pri pohyboch dodržiavajte bezpečnostné opatrenia

- Aby vyhnúť sa zraneniu a nenájsť zranenia iným ľuďom, vždy pozorne sledujte, čo sa deje okolo vás.

Nedemontujte, nemodifikujte a neopravujte prístroj samostatne

- Po uskutočnení akéhokoľvek zmeny alebo modifikácie (vrátane neoprávnených zmien v programovom zabezpečení výrobcu), stratíte záruku výrobcu. Odnesť nefunkčné zariadenie “eSTAR” do príslušného servisného strediska “eSTAR”;
- Nebarvte prístroj a nelepíte na prístroj samolepký.

Pokyny pre čistenie prístroja:

- Čistite prístroj a nabíjač suchým uterákom/hubou alebo špeciálnym, určeným na to prostriedkom.
- Nečistete prístroj chemickými alebo dezinfekčnými materiálmi.

Nepoužívajte prístroj s rozbitou alebo nefunkčnou obrazovkou

- Rozbité sklo môže spôsobiť zranenie rúk alebo tváre. Odnesť prístroj do servisného strediska “eSTAR” na opravu.

Používajte prístroj len účelne

Pri použití zariadenia na verejnom mieste snažte nerušiť ostatných ľudí

Dávejte pozor na SIM kartu a pamäťovú kartu

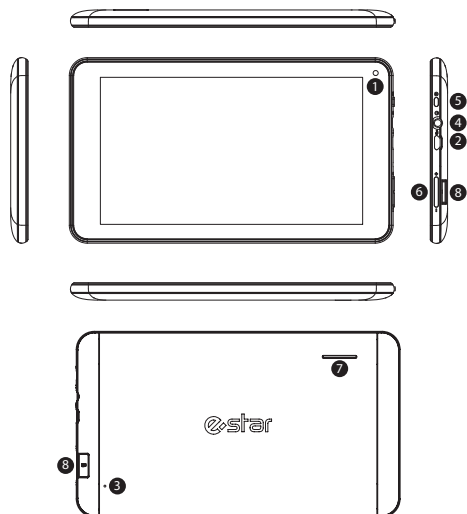
- Nevyberajte kartu, keď zariadenie odosiela a prijíma informácie, pretože môžete stratiť údaje a (alebo) spôsobiť poškodenie karty alebo prístroju.
- Chránite kartu od úderov, statickej elektriny a elektrického rušenia, spôsobeného inými zariadeniami.
- Nedotýkajte sa pozlátených kontaktov alebo svorok pamäťovej karty s prstami alebo kovovými predmetmi. Ak sú špinavé, otřete karty mäkkou handričkou.

Chráňte vaše osobné aj ostatné dôležité údaje

- Pri použití zariadenia nezabudnete urobiť rezervnú kópiu dôležitých údajov. “eSTAR” nenesie žiadnu zodpovednosť za stratu údajov,
- Ak dáte zariadenie na opravu do príslušného servisného strediska “eSTAR” keď existuje taká možnosť, urobte kópiu dôležitých údajov a odstránite dôležité informácie, ktoré sa nachádzajú na zariadení. “eSTAR” nenesie žiadnu zodpovednosť za stratu údajov;
- Pred obnovením softvéru a pred návratom do pôvodných nastavení (“Factory Reset”) zabezpečte rezervnú kópiu dôležitých údajov
- Pri zúžitokvaní vašeho prístroju uistite sa, že tamto neexistujú žiadnych údajov dôležitých pre vás alebo vašich osobných údajov,
- Pri krádeži alebo strate prístroju, nezabudnite zmeniť hesla vašich evidenčných záznamov, aby zachránil vaše osobné údaje.

Začiatok práce

Základní části přístroje



	Funkcie/vysvetlenie
1.	Čelná foto/videokamera
2.	USB vstup (USB Socket)
3.	Reset
4.	Vstup pre slúchadla
5.	Zapínacie/vypínacie tlačidlo (Power button)
6.	Tlačidlo ovládania hlasitosťou (VOL+/VOL button)
7.	Reproduktory
8.	Otvor pre Micro SD (HC)

Nabíjanie akumulátora

- Pred prvým použitím prístroja úplne nabijte akumulátor;
- Používajte iba nabíjače “eSTAR”, určené práve pre váš prístroj. Iný nabíjač môže priviesť k nevratnému poškodeniu prístroja.

Zapnutie/vypnutie zariadenia

- Ak chcete zapnúť prístroj, stlačte tlačidlo zapnutia/vypnutia (Power). Ak prístroj sa nedá zapnúť, uistite sa, že prístroj je úplne nabitý;
- Pri prvom zapnutí nastavíte prístroj podľa pokynov na obrazovke. Pre použitie aplikácií, ktoré pracujú s “Google™”, je potrebné zaregistrovať nový alebo použiť existujúci Google account;
- Ak chcete vypnúť prístroj, stlačte tlačidlo zapnutia/vypnutia (Power). Poznámka: pre návrat k pôvodným nastaveniam softvéru, v prípade, ak program je zmrazený, stlačte a držte tlačidlo zapnutia/vypnutia (Power) do reštartu zariadenia.

Pripojenie prístroju k Internetu

- Pro pripojenie prístroju k internetu použijte funkciu WiFi (WLAN):
 → Settings → WLAN-ON. Pri pripojení prístroju k WiFi (WLAN) pravdepodobne budete potrebovať zadať heslo;
- Ak zariadenie môže využívať mobilné údaje (2G/3G/4G), môžete zapnúť túto funkciu nasledovne: Settings Mobile data-ON. Pre ďalšie návody, spojené s nastaveniami, kontaktujte prosím vášho mobilného operátora. Pozor! Za pripojenie a sťahovanie údajov môže byť vybraný poplatok. Viac informácií o sadzbach poskytnete váš mobilný operátor.

* Google, Google Play sú ochrannými známkami spoločnosti Google Inc.

Smart-Gerät „eSTAR“ Modell Nr. eSTAR BEAUTY 2 HD Quad Core



Wir bedanken uns bei Ihnen für den Kauf des Smart-Geräts „eSTAR“. Vor dem Anfang der Nutzung empfehlen wir Ihnen diese kurze Benutzeranleitung zu lesen. Eine ausführliche Instruktion finden Sie auf der Internet-Seite www.estar.eu.

Der Inhalt der kurzen Benutzeranleitung kann sich von dem von Ihnen gekauften Modell „eSTAR“ durch Soft- und Hardware unterscheiden;

- Die in der kurzen Benutzeranleitung dargelegte Information kann ohne vorläufige Benachrichtigung geändert werden. Die letzte Version ist verfügbar auf der Internet-Seite www.estar.eu;
- Die Komplettierung der Waren und / oder verkaufte Zubehöre von „eSTAR“ können sich je nach der Region / dem Lande unterscheiden;
- Die Komplettierung der Produkte von „eSTAR“ ist bestimmt gerade für jenes Modell und kann mit anderen Produkten von „eSTAR“ inkompatibel sein;
- Die Firma „eSTAR“ haftet nicht für Defekte des Gerätes, die durch Verwendung der inkompatiblen Zubehöre (Ladegeräte, Kopfhörer oder andere) verursacht sind;
- Zusätzliche Zubehöre, die mit Produkten von „eSTAR“ kompatibel, können Sie beim regionalen Vertreter der Firma „eSTAR“ kaufen;
- Die Firma „eSTAR“ haftet nicht für fehlende Information und Defekte, die durch inkorrekte Verwendung der Hard- und Software verursacht sind, oder für andere Unfälle.

Sicherheitsmaßnahmen

Für sichere Benutzung des Gerätes, zur Vermeidung von Traumas und Defekten, lesen Sie bitte diese Information:

- Verwendung der Kopfhörer kann bei hoher Lautstärke zur Hörstörung führen. Stellen Sie bitte den Laut so ein, damit er Ihr Gehör nicht stört;
- Warnung: vermeiden Sie den Befall mit Strom, Entzündung und Explosion;
- Berühren Sie nicht das Gerät „eSTAR“ sowie auch dessen Teile mit nassen Händen, benutzen Sie beim Laden das Gerät nicht;
- Ziehen Sie nicht die Leitung des Ladegerätes;
- Knicken Sie nicht und beschädigen Sie nicht auf andere Weise die Spannungsversorgungsleitung;
- Laden Sie nicht das Gerät mit dem defekten oder beschädigten Ladegerät;
- Werfen Sie nicht und schlagen Sie nicht das Ladegerät oder das Smart-Gerät selbst.
- Benutzen Sie das Gerät nicht während der Gewitter – das kann die Funktion des Gerätes beeinflussen und das Risiko des Strombefalls erhöhen;
- Keinesfalls zerlegen Sie das Gerät selbständig;
- Beim Säubern des Bildschirms von der Planchette oder vom Smartphone verwenden Sie keine Mittel, die Alkohol, Lösungsmittel oder Benzol enthalten, es kann unumkehrbar den Bildschirm des Gerätes beschädigen;
- Mehrere Produkte von „eSTAR“ sind gegen den Einfluß von Feuchte und Wasser nicht resistent, beim Benutzen der Produkte von „eSTAR“ unter solchen Bedingungen kann das Gerät nicht behebbar verdorben werden;
- Drücken Sie auf den Bildschirm der Planchette oder des Smartphones zu stark nicht – das kann zu derer / dessen Beschädigung führen;
- Benutzen Sie das Gerät nicht beim Fahren – das kann zu einer Panne führen.

Schon Sie die Umwelt. Sorgen Sie für sachgemäße Verwertung des Produktes von „eSTAR“

- Beim Verwerten des Gerätes richten Sie sich nach lokalen Regeln und Forderungen.
- Verwenden Sie die durch „eSTAR“ bestätigten Batterien und Ladegeräte, die speziell für Ihr Gerät entwickelt sind. Beim Verwenden der inkomatiblen Ladegeräten können Sie das Gerät stark beschädigen oder verderben.
- Legen Sie die Geräte nicht auf Heizaggregate, zum Beispiel auf Mikrowellenofen, Herd oder Radiator. Von übermäßiger Erwärmung können die Batterien explodieren.
- Drücken Sie das Gerät nicht zusammen und stechen Sie nicht durch. Sorgen Sie dafür, dass sich das Gerät von der Außenseite unter dem Druck nicht befindet – das kann zum Kurzschluß oder zur Übererwärmung des Gerätes führen.



Dieses Zeichen auf dem Gerät, dessen Zubehören oder in der Dokumentation zeigt darauf, dass die nicht benutzten Geräte oder derer elektronischen Zubehöre (z.B.: Ladegerät, Kopfhörer, USB-Kabel oder andere) zusammen mit anderen Haushaltsabfällen nicht verwertet werden dürfen. DER BENUTZER, schone dich und die Umwelt, nutze die Möglichkeit aus, deinen Beitrag in die Aufbewahrung der Natur für künftige Generationen

zu leisten, sortiere die Abfälle und übergib sie für Verarbeitung.

- Die Privatpersonen sollen sich betreffend der Information, wohin und wie solche elektronische Abfälle zur sicheren Verarbeitung zuzustellen sind, an den Verkäufer der Geräte (Geschäft, Internet-Geschäft oder andere) bzw. an lokale Leitungsbehörden wenden;
- Die juristischen Personen sollen sich betreffend der Information, wohin und wie solche elektronische Abfälle zur sicheren Verarbeitung zuzustellen sind, an den Lieferanten dieser Ausrüstung wenden oder, wenn sie direkt mit einer Organisation nach dem Verwerten der elektronischen Abfällen eine Vereinbarung abgeschlossen haben, diese Abfälle direkt für Verarbeitung übergeben.



Die Markierung „CE“ (Englisch - “CE Marking”) auf dem Produkt (oder auf dessen Verpackung) zeigt darauf, dass dieses Produkt den Forderungen der Europäischen Union für Sicherheit, Gesundheit und Schutz der Umwelt entspricht.



Das Zeichen „RoHS“ zeigt darauf, dass die Teile aus dem verarbeiteten Rohstoff hergestellt sind.

Wichtige Information

- Die Batterie wird völlig geladen werden, wenn Sie diese 2-3mal entladen und laden.
- Die extremen Temperaturen (Hitze/Kälte) können Ihr Gerät verformen und Lebensdauer der Batterie reduzieren, es kann die abgekürzte Lebensdauer des Gerätes beeinflussen.

Benutzung des Gerätes in eingeschränkten Plätzen und Räumen

Warnung: beim Benutzen des Gerätes in eingeschränkten Plätzen halten Sie alle Sicherheitsmaßnahmen ein.

- Immer schalten Sie das Gerät dort aus, wo es verboten ist, dieses zu benutzen;
- Benutzen Sie das Gerät nicht in der Nähe von anderen elektronischen Apparaten;
- Die meisten elektronischen Apparaten verwenden die Radiofrequenzsignale. Ihr Gerät kann andere elektronische Geräte stören.
- Nähern Sie das Gerät nicht dem Herzschrittmacher. Wo möglich bemühen Sie sich, das Gerät näher als 15 cm vom Herzschrittmacher nicht zu benutzen, denn das Gerät kann die Funktion des Herzschrittmachers verletzen. Zur Vermeidung davon halten Sie das Gerät an der Gegenseite vom Herzschrittmacher.
- Benutzen Sie das Gerät nicht in einem Krankenhaus oder neben der medizinischen Ausrüstung, die von den Radiofrequenzen gestört werden kann;
- Wenn Sie irgendwelche medizinische Ausrüstung verwenden, dann setzen Sie sich mit dem Ausrüstungshersteller in Verbindung und überzeugen Sie sich, dass die Radiofrequenzen Ihres Gerätes die Funktion der Ausrüstung nicht stören;
- Schalten Sie das Gerät aus in der Nähe von explosionsgefährlichen Plätzen;
- Folgen Sie immer den Anweisungen, Instruktionen und Zeichen in Plätzen der potentiellen Explosionsgefahr;
- Benutzen Sie das Gerät nicht während des Tankens (auf den Tankstelle) oder neben den flammbaren, chemischen Stoffen;
- Im Platz, wo sich das Gerät, dessen Teile oder Zubehör befindet, dürfen keine flammbaren Flüssigkeiten, Gas oder explosionsgefährliche Stoffe gelagert werden;
- Sicheres Fahren ist Ihre Hauptpflicht. Benutzen Sie das Gerät nie beim Autofahren, wenn es durch die Regeln verboten ist;
- Schalten Sie das Gerät beim Starten und Landen des Flugzeuges aus. Das Gerät kann die Funktion des Navigationssystems vom Flugzeug stören.

Bewahren Sie das Gerät trocken auf

- Die Feuchte und andere Flüssigkeitsarten können die Teile des Gerätes oder das Produkt selbst unumkehrbar beschädigen;
- Schalten Sie das Gerät nicht ein, wenn es feucht ist. Wenn das Gerät schon eingeschaltet ist, dann schalten Sie es sofort aus und nehmen Sie die Batterie heraus. Wenn sich das Gerät nicht ausschaltet oder wenn Sie die Batterie nicht herausnehmen können, machen Sie nichts, wischen Sie dann das Gerät einfach mit dem Handtuch ab und bringen Sie es ins Service-Zentrum;
- Auf die Defekte, die durch Feuchte verursacht sind, erstreckt sich die Garantie nicht.

Benutzen Sie das Gerät nicht und bewahren Sie es nicht in staubhaltigen und verschmutzten Plätzen auf

- Der Staub, der ins Gerät eingedrungen ist, kann dessen Funktion stören.

Bewahren Sie das Gerät nicht auf einer geneigten Oberfläche nicht auf

- Wenn das Gerät rutscht und fällt, kann es beschädigt werden.

Bewahren Sie das Gerät in heißen oder kalten Plätzen nicht auf

- Benutzen Sie das Gerät bei der Temperatur -20 - +45 °C;
- Im heißen Wetter das im geschlossenen Fahrzeug gelassene Gerät kann explodieren, innen im Auto +80 °C erreichen kann;
- Lassen Sie das Gerät nicht auf eine lange Zeit unter den direkten Sonnenstrahlen (zum Beispiel auf dem Schaltbrett des Autos);

Bewahren Sie das Gerät nicht in der Nähe von Magnetfeldern auf

- Wegen des Einflusses von Magnetfeldern kann das Gerät beginnen, schlecht zu funktionieren oder die Batterie kann entladen werden;

Legen Sie das Gerät nicht in der Nähe von Heizkörpern oder darauf, sowie auch nicht auf den Mikrowellenherd, auf die Ausrüstung für Nahrungszubereitung oder auf die Behälter mit einem hohen Druck

- Das Gerät kann sich übererwärmen, eine Entzündung verursachen oder explodieren.

Vermeiden Sie das Fallen und Schlagen auf das Gerät

- Sie können den Bildschirm des Gerätes zerbrechen;
- Beim Knicken und Verformen kann das Gerät beschädigt werden oder dessen Teile können beginnen, defekt zu funktionieren.

Lassen Sie nicht zu, dass Ihr Gerät andere metallische Gegenstände – Münzen, Schlüssel, Ketten - berührt

- Das Gerät oder dessen Bildschirm kann gekratzt werden.

Schützen Sie Ihre Augen vor schädlichem Einfluß der Lichtblitze

- Der Raum, in dem Sie das Gerät benutzen, soll wenigstens minimal beleuchtet werden, nähern Sie den Bildschirm Ihren Augen nicht zu nah.
- Ein langes Durchschauen der Filme oder Videospiele kann wegen der hellen Beleuchtung zeitweilig das Sehen vermindern. Falls Sie unangenehme Symptome fühlen, schalten Sie das Gerät sofort aus.

Reduzieren Sie das Risiko des Traumaerhaltes von den wiederholenden Bewegungen

- Indem man dieselbe Bewegungen macht – dieselbe Tasten drückt, den Text eingibt, Spiele spielt – kann ein unangenehmes Gefühl in Händen, Hals, Schultern oder in anderen Körperteilen entstehen. Während einer langen Benutzung des Gerätes halten Sie es mit einer gelösten Hand, entspannt, wir empfehlen regelmäßige Pausen zu machen. Wenn Sie beim Benutzen des Gerätes sowieso unangenehme Symptome fühlen, dann hören Sie das Benutzen des Gerätes auf und wenden Sie sich an den Arzt.

Sichern Sie eine lange Nutzungsdauer der Batterie und des Ladegerätes

- Lassen Sie die Batterie nicht länger als für eine Woche laden, denn eine übermäßige Ladung kann derer Nutzungsdauer reduzieren.
- Mit der Zeit werden die nicht benutzten Batterien entladen und sollen vor dem Benutzen wieder geladen werden.
- Schalten Sie die nicht benutzten Ladegeräte vom Stromversorgungsnetz ab.

Bewahren Sie das Gehör während der Benutzung von Kopfhörern

- Ein lauter Ton kann eine Gehörstörung verursachen;
- Ein lauter Ton kann beim Fahren die Aufmerksamkeit ablenken und zu einer Panne führen;
- Reduzieren Sie immer die Lautstärke, bevor Sie die Kopfhörer zur Tonquelle anschließen. Stellen Sie ein minimales Tonniveau, das für Gespräch oder Musikhören notwendig ist, ein;
- Wenn Sie sich in einem trockenen Raum befinden, dann kann sich eine statische Elektrizität in den Kopfhörern bilden. Bemühen Sie sich, die Kopfhörer im trockenen Raum nicht zu benutzen oder, vor dem Anschließen der Kopfhörer zum Gerät, rühren Sie diese zu einem Metallgegenstand an, damit es die Entladung der statischen Elektrizität passiert.

Indem Sie das Gerät beim Gehen oder beim Bewegen benutzen, treffen Sie die Vorsorgemaßnahmen

- Um die Traumas zu vermeiden und diese anderen Personen nicht zuzufügen, achten Sie immer auf Passierendes.

Zerlegen Sie nicht, modifizieren Sie nicht und reparieren Sie das Gerät nicht selbständig

- Indem Sie jede Änderungen und Modifikationen (inklusive die nicht sanktionierten Änderungen in Software des Herstellers) machen, verlieren Sie die Garantie des Herstellers. Bringen Sie das defekte Gerät „eSTAR“ ins nächstliegende beauftragte Service-Zentrum von „eSTAR“;
- Färben Sie das Gerät nicht und kleben Sie keine Aufkleber darauf.

Anweisungen nach dem Reinigen des Gerätes:

- Reinigen Sie das Gerät und Ladegerät mit einem trockenen Handtuch / Schwamm oder mit den speziell dafür geeigneten Mitteln.
- Reinigen Sie nicht mit den chemischen oder antiseptischen Mitteln.

Benutzen Sie nicht das Gerät, wenn der Bildschirm zerbrochen oder beschädigt ist

- Das zerbrochene Glas kann Ihre Hände oder Ihr Gesicht verletzen. Bringen Sie das Gerät ins Kundenbedienungscenter „eSTAR“ für Reparatur.

Benutzen Sie das Gerät nur bestimmungsgemäß

Wenn Sie das Gerät in einem öffentlichen Paltz benutzen, bemühen Sie sich andere nicht zu stören

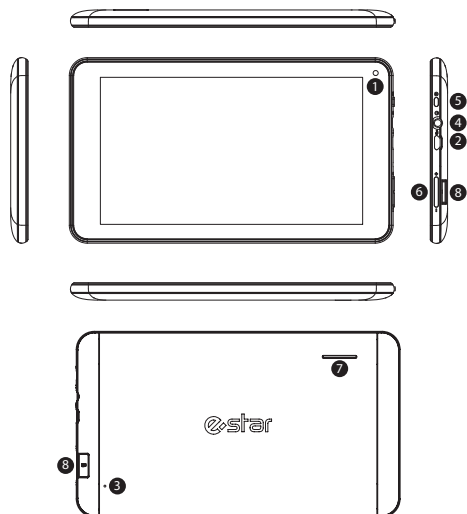
Seien Sie vorsichtig mit der SIM-Karte und Speicherkarte

- Ziehen Sie die Karte nicht raus, wenn das Gerät die Information sendet oder empfängt, denn Sie können die Daten verlieren und (oder) die Karte bzw. das Gerät beschädigen.
- Schützen Sie die Karten vor Schlagen, statischer Elektrizität und elektrischen Störungen, die von anderen Geräten verursacht sind.
- Berühren Sie nicht mit den Fingern oder metallischen Gegenständen die goldgelben Kontakte oder Klemmen der Speicherkarte. Wenn die Speicherkarte verschmutzt wurde, dann wischen Sie diese mit weichem Tuch ab.

Schützen Sie Ihre persönlichen und andere wichtigen Daten

- Indem Sie das Gerät benutzen, vergessen Sie nicht, eine Reservekopie von wichtigen Daten zu machen. Die Firma „eSTAR“ haftet nicht für die verlorenen Daten;
- Indem Sie das Gerät ins beauftragte Service-Zentrum „eSTAR“ für Reparatur abgeben, wenn es möglich ist, machen Sie Kopien von wichtigen Daten und löschen Sie die ganze für Sie wichtige Information vom Gerät. Die Firma „eSTAR“ haftet nicht für die verlorenen Daten;
- Vor dem Regenerieren von Software des Gerätes zu den Fabrikeinstellungen („Factory Reset“) sorgen Sie für Reservekopien der wichtigen Daten;
- Indem Sie sich entscheiden, Ihr Gerät zu verwerten, überzeugen Sie sich, dass es drinnen keine für Si wichtige oder persönliche Information geblieben ist;
- Beim Diebstahl oder Verlieren des Gerätes vergessen Sie nicht, die Passwörter von Ihren Einträgen zu wechseln, um eine persönliche Information zu schützen.

Hauptkomponente des Gerätes



	Funktion / Erläuterung
1.	Frontale Photo-/Videokamera
2.	USB-Anschluß
3.	Reset
4.	Anschluß für Kopfhörer
5.	Taste „EIN / AUS“
6.	Taste der Einstellung von Lautstärke
7.	Lautsprecher
8.	Sockel der Micro SD (HC)-Karte

Ladung der Batterie

- Vor dem ersten Benutzen des Gerätes laden Sie die Batterie völlig;
- Verwenden Sie nur die Ladegeräte von „eSTAR“, die eben für Ihr Gerät passen. Andere Ladegeräte können zur unumkehrbaren Beschädigung des Gerätes führen.

Einschalten/Ausschalten des Gerätes

- Für Einschaltung des Gerätes drücken Sie auf die Taste „Ein/Aus“ (Power). Wenn es sich nicht einschaltet, dann überprüfen Sie, ob das Gerät geladen ist oder nicht;
- Indem Sie das Gerät zum ersten Mal eingeschaltet haben, stellen Sie das nach den Instruktionen auf dem Bildschirm ein. Um die mit „Google™“ zusammen funktionierende Apps benutzen zu können, muss man einen neuen Eintrag registrieren oder in den schon vorhandenen Eintrag „Google Account“ hineingehen;
- Für Ausschaltung des Gerätes drücken Sie auf die Taste „Ein/Aus“ (Power).

Anmerkung: Für Regenerierung der Einstellungen von Software zu den Fabrikeinstellungen, zum Beispiel wenn das Programm steckt, drücken Sie und halten Sie die Taste „Ein/Aus“ (Power), bis sich das Gerät umlädt.

Anschluß des Gerätes zum Internet

- Zum Anschließen des Gerätes zum Internet wenden Sie die Funktion „WiFi (WLAN)“ an: → Settings → WLAN-ON. Indem es zum entsprechenden Zugang von „WiFi (WLAN)“ angeschlossen wird, wird es vielleicht ein Passwort benötigt;
- Wenn das Gerät eine Möglichkeit hat, die Mobildaten (2G/3G/4G) anzuwenden, dann können Sie diese Funktion so einschalten: Settings-Mobile data-ON. Für weitere Instruktionen zum Einstellen wenden Sie sich an den Operator der Mobilverbindung. Achtung! Für das Anschließen und Laden der Daten kann eine zusätzliche Zahlung eingezogen werden. Eine ausführlichere Information über Tarife wird Ihr Operator der Mobilverbindung gewähren.

* Google, Google Play sind Marken von Google Inc.

„eSTAR“ pametna naprava
Model Nr.:
eSTAR BEAUTY 2 HD Quad Core



e-star

www.estar.eu

Zahvaljujemo se vam za nakup pametne naprave "eSTAR". Pred uporabo vam svetujemo, da preberete ta navodila. Podrobnejša navodila najdete na spletni strani www.estar.eu.

Vsebina Navodil za uporabo se lahko razlikuje od Vašega kupljenega modela "eSTAR" v strojni in programski opremi;

- Informacije v Navodilih za uporabo se lahko spremenijo brez predhodnega obvestila. Najnovejša različica je na voljo na spletni strani www.estar.eu;
- Pridobitev proizvodov in / ali dodatkov "eSTAR" se lahko razlikuje glede na državo / regijo;
- Proizvodi "eSTAR" so izdelani posebej za določen model in niso združljivi z drugimi izdelki "eSTAR";
- "eSTAR" ne prevzema nobene odgovornosti za okvare izdelka nastalih zaradi uporabe neprimernih dodatkov (polnilec, slušalke ali drugo);
- Dodatno opremo, ki je združljiva z izdelki "eSTAR", je mogoče kupiti pri regionalnem predstavniku "eSTAR";
- "eSTAR" ni odgovoren za manjkajoče podatke in okvare nastale zaradi nepravilne uporabe strojne opreme, programske opreme ali okvare nastale pri drugih nesrečah.

Varnosti ukrepi

Za varno uporabo naprave in za preprečitev poškodb in okvar, prosimo preberite priložena navodila:

- Uporaba slušalk pri visoki glasnosti lahko poškoduje vaš sluh. Prilagodite zvok, tako da le-ta ne poškoduje vaš sluh;
- Opozorilo: Izogibajte se možnosti nastanka električnega udara, požara in eksplozije;
- Ne dotikajte se naprave "eSTAR", kot tudi njenih delov z mokrimi rokami, naprave ne uporabljajte, medtem ko se le-ta polni;
- Ne vlecite za polnilnik;
- Ne upogibajte ali ne poškodujte polnilnika na druge načine;
- Ne polnite naprave s poškodovanim polnilnikom;
- Ne mečite polnilnika ali naprave same.
- Pazite, da ne uporabljate naprave med nevihto - to lahko vpliva na delovanje naprave, in poveča tveganje električnega udara;
- V nobenem primeru ne razstavljajte enote sami;
- Pri čiščenju zaslona tabličnega računalnika ali pametnega telefona, ne uporabljajte izdelkov, ki vsebujejo alkohol, razredčilo ali benzen, ker uporaba le-teh lahko trajno poškoduje zaslon naprave;
- Večina izdelkov "eSTAR" ni odporna na vlago in vodo; uporaba izdelkov "eSTAR" v takih pogojih lahko napravo nepopravljivo poškoduje;
- Ne pritiskajte močno na zaslon tabličnega računalnika ali zaslon pametnega telefona ker lahko to povzroči škodo;
- Ne uporabljajte naprave med vožnjo ker to lahko privede do prometne nesreče.

Varujte okolje. Bodite pozorni na pravilno odstranjevanje izdelka "eSTAR"

- Ko želite zavreči napravo, si oglejte lokalne predpise in zahteve.
- Uporabljajte preizkušene "eSTAR" baterije in polnilnike, ki so izdelani posebej za vašo napravo. Nezdržljivost polnilnikov z napravo lahko le-to hudo poškoduje ali jo celo uniči.
- Ne postavljajte naprave na grelne površine, kot so mikrovalovna pečica, štedilnik ali radiator. Zaradi prekomerne temperature lahko eksplodirajo baterije .
- Ne poskušajte zdrobiti ali preluknjati naprave. Prepričajte se, da se naprava ne nahaja pod zunanjim pritiskom - to lahko vodi do kratkega stika ali pregrevanja naprave.



Ta simbol na napravi ali njenih dodatkih ter v dokumentaciji pomeni, da naprave ali njenih dodatkov (npr. polnilec, slušalke, USB-kabel ali podobno) ni možno zavreči skupaj z ostalimi gospodinjstskimi odpadki. UPORABNIK, poskrbite zase in za svoje okolje, izkoristite priložnost, da prispevate k ohranjanju narave za prihodnje generacije, sortirajte odpadke in jih pošljite na recikliranje.

- Za pridobitev informacije o tem, kje in kako naj se takšni elektronski odpadki varno reciklirajo, naj se fizične osebe obrnejo na svojega prodajnega zastopnika (trgovina, spletna trgovina ali drugo) ali na lokalne oblasti;
- Za pridobitev informacije o tem, kje in kako naj se takšni elektronski odpadki varno reciklirajo, naj se pravne osebe obrnejo na dobavitelja opreme ali neposredno na Organizacijo za odlaganje elektronskih odpadkov v recikliranje, v primeru da so sklenili z njimi sporazum.



CE (ang. "Oznaka CE") na proizvodu (ali njegovi embalaži), pomeni, da ta izdelek izpolnjuje zahteve Evropske unije za varnost, zdravje in varnost okolja.



Znak RoHS pomeni, da so predmeti izdelani iz recikliranih materialov.

Pomembna informacija

- Baterija se bo popolnoma napolnila, ko jo boste izpraznili in ponovno napolnili vsaj 2-3 krat.
- Ekstremne temperature (ogrevanje / hlajenje) lahko deformirajo vašo napravo in zmanjšajo življenjsko dobo baterije, kar lahko posledično vpliva na krajšo življenjsko dobo naprave.

Uporaba izdelka v omejenih območjih in prostorih

Opozorilo: Če uporabljate napravo v omejenih območjih, upoštevajte vsa varnostna opozorila.

- Vedno izklopite napravo tam, kjer jo je prepovedano uporabljati;
- Ne uporabljajte naprave v bližini drugih elektronskih naprav;
- Večina elektronskih naprav uporablja radiofrekvenčne signale. Vaša naprava lahko vpliva na delovanje drugih elektronskih naprav.
- Ne držite naprave blizu srčnega spodbujevalnika. Če je le mogoče, jo uporabljajte na razdalji 15 cm od spodbujevalnika, saj naprava lahko moti delovanje spodbujevalnika. Da bi to preprečili, imejte napravo na nasprotni strani od srčnega spodbujevalnika.
- Naprave ne uporabljajte v zdravstvenih ustanovah ali v bližini medicinske opreme, kjer lahko uporaba le te vpliva na radijske frekvence;
- Če uporabljate kakršno koli medicinsko opremo, se obrnite na proizvajalca te opreme in poskrbite, da vaše radijske frekvence naprave ne motijo;
- Izklopite napravo v bližini potencialno eksplozivnih območij;
- Vedno upoštevajte navodila in znake na potencialno eksplozivnih območjih;
- Pazite, da naprave ne uporabljate med točenjem goriva (na bencinski črpalki) ali v bližini kemikalij;
- V bližini naprave, njenih delov ali opreme ne shranjujte vnetljivih tekočin, plinov ali eksplozivnih snovi;
- Varna vožnja je vaša prednostna naloga. Nikoli ne uporabljajte naprave med vožnjo, če je to prepovedano;
- Izklopite napravo med vzletanjem in pristajanjem letal. Naprava lahko moti delovanje navigacijskega sistema letala.

Pravilno vzdrževanje in delovanje izdelka “eSTAR”

Napravo imejte suho

- Vlaga in različne vrste tekočin lahko trajno poškodujejo napravo ali sam izdelek;
- Naprave ne uporabljajte, če je zmočena. Če je naprava že vklopljena, jo takoj izklopite in odstranite baterijo. Če naprave ne morete izklopiti ali ne morete odstraniti baterijo, enostavno ne storite ničesar, samo obrišite jo z brisačo in jo odnesite na pooblaščen servis;
- Garancija proizvajalca ne zajema napake, nastale zaradi vlage.

Naprave ne uporabljajte in ne hranite na prašnih ali umazanih površinah

- Zaradi praha naprava morda ne bo pravilno delovala.

Naprave ne hranite na poševni površini

- Če naprava zdrsne in pade se lahko poškoduje.

Naprave ne hranite na vročini ali mrazu

- Napravo uporabljajte pri temperaturi $-20 +45^{\circ}\text{C}$;
- V vročem vremenu, lahko naprava, ki ostane v zaprtem vozilu, eksplodira, ker lahko temperatura v notranjosti avtomobila doseže tudi do $+80^{\circ}\text{C}$;
- Naprave ne puščajte dolgo časa na neposredni sončni svetlobi (na primer na plošči avtomobila);

Naprave ne shranjujte v bližini magnetnih polj

- Zaradi učinkov magnetnih polj, lahko naprava začne slabo delovati ali pa se lahko izprazni;

Ne postavljajte naprave v bližini grelnika ali na grelne površine, kot tudi ne na mikrovalovno pečico, opremo za kuhanje, ali visokotlačne posode

- Enota se lahko pregreje, povzroči požar ali eksplozijo.

Izogibajte se padcem ali udarcem naprave

- Lahko razbijete zaslon naprave;
- Pri upogibanju in deformaciji se naprava lahko poškoduje ali pa njeni deli pričnejo delovati nepravilno.

Ne dovolite, da se vaša naprava dotika drugih kovinskih predmetov: kovanci, ključi, verižice

- Naprava ali zaslon se lahko popraskata.

Zaščitite svoje oči pred škodljivimi učinki svetlobne bliskavice

- Prostor, v katerem uporabljate napravo, mora biti vsaj minimalno osvetljen, zaslona ne držite preblizu oči.
- Dolgotrajno gledanje filmov ali igranje video iger lahko zaradi močne svetlobe začasno poslabša vid. Takoj izklopite napravo če začutite neprijetne simptome.

Zmanjšajte tveganje za poškodbe nastale zaradi ponavljajočih se gibov

- Pri stalni uporabi enakih gibov: s pritiskom na isto tipko, vnašanjem besedila, igranjem iger, boste morda dobili neprijeten občutek v rokah, vratu, ramenih ali drugih delih telesa. Med dolgoročno uporabo naprave, naj bo roka sproščena, brez napetosti, pravtako vam priporočamo, da delate redne odmore. Če pri uporabi naprave vseeno čutite neprijetne simptome, prenehajte z uporabo in se posvetujte z zdravnikom.

Zagotovite maksimalno zmogljivost baterije in polnilca baterij

- Ne pustite da polnjenje baterije traja dlje kot en teden, saj lahko prekomerno polnjenje skrajša njeno

- življenjsko dobo uporabe.
- Neuporabljene baterije se s potekom časa izpraznijo in jih je pred uporabo potrebno ponovno napolniti.
- Polnilec ki ni v uporabi prosimo izključite iz električnega omrežja.

Zaščitite svoj sluh, medtem ko uporabljate slušalke

- Glasen zvok lahko povzroči motnje sluha;
- Glasen zvok med vožnjo lahko odvrne pozornost in povzroči prometno nesrečo;
- Vedno zmanjšajte glasnost, preden priključite slušalke na vir zvoka. Določite minimalno raven zvoka, potrebno za klic ali poslušanje glasbe;
- Če se nahajate v suhem okolju, se v slušalkah lahko oblikuje statična elektrika. Izogibajte se uporabi slušalk v suhih prostorih ali pa se jih pred priključitvijo slušalk na enoto dotaknite s kovinskim predmetom statične elektrike.

Pri uporabi naprave med hojo ali gibanjem upoštevajte previdnostne ukrepe

- Da bi se izognili poškodbam bodite pozorni na dogajanje okoli vas.

Naprave ne razstavljajte, spreminjajte ali popravljajte sami

- Pri izvajanju morebitnih sprememb ali prilagoditev (vključno z nepooblaščenimi spremembami proizvajalca programske opreme), boste izgubili garancijo proizvajalca. Pokvarjeno napravo "eSTAR" nemudoma odnesite na najbližji pooblaščen servis "eSTAR";
- Ne barvajte naprave in ne lepите na njo nalepke.

Navodila za čiščenje napraves:

- Očistite napravo in polnilnik s suho brisačo / gobo ali s posebnimi čistili, namenjenimi prav za to.
- Ne čistite s kemičnimi čistili ali razkužilom.

Naprave ne uporabljajte, če je zaslon zdrobljen ali uničen

- Razbito steklo lahko poškoduje roke ali obraz. Napravo odnesite na popravilo v pooblaščen servis "eSTAR".

Napravo uporabljajte samo za namene, za katere je dopustna uporaba

Pri uporabi naprave na javnem mestu, poskusite, da ne bi pri uporabi motili druge

Bodite previdni pri uporabi SIM kartice in pomnilniške kartice

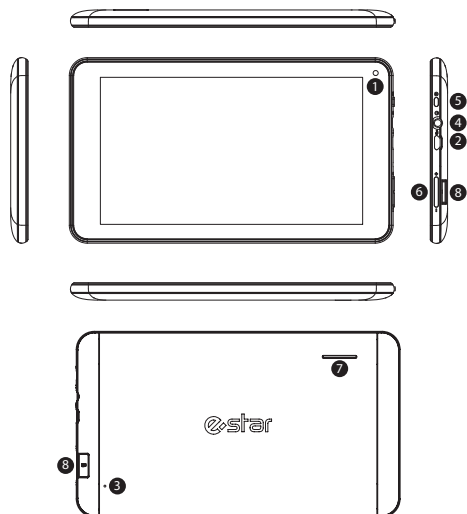
- Ne odstranjajte kartice, ko naprava pošilja ali prejema informacije, ker lahko izgubite podatke in (ali) poškodujete kartico ali napravo.
- Kartice zaščitite pred udarci, statično elektriko in drugimi napravami z električnimi motnjami.
- Ne dotikajte se pozlačenih kontaktov in priključkov s prsti ali kovinskimi predmeti. Če je kartica umazana, jo obrišite z mehko krpo.

Zaščitite svoje osebne podatke in druge občutljive podatke

- Pri uporabi naprave, ne pozabite narediti varnostne kopije pomembnih podatkov. "eSTAR" ne odgovarja za izgubljene podatke;
- Pri predaji naprave v popravilo na pooblaščen servis "eSTAR", če je le možno, naredite kopijo pomembnih podatkov in izbrišite pomembne informacije. "eSTAR" ne odgovarja za izgubljene podatke;
- Predno obnovite programsko opremo naprave na tovarniške nastavitve ("Factory Reset") poskrbite za varnostno kopijo pomembnih podatkov;
- Če se odločite zavreči vašo napravo, se prepričajte, da ne vsebuje več nobene za vas pomembne informacije ali osebnih podatkov;
- V primeru kraje ali izgube naprave, ne pozabite spremeniti gesla za zaščito osebnih podatkov.

Začetek

Glavne komponente naprave



	Funckija/pomen
1.	Sprednja foto/video kamera
2.	USB vhod
3.	Reset
4.	Vhod za slušalke
5.	Gumb za vklop/izklop
6.	Gumb za glasnost (VOL+/ VOL-)
7.	Zvočniki
8.	Reža za Micro SD(HC) kartico

Polnjenje baterije




- Pred prvo uporabo naprave, v celoti napolnite baterijo;
- Uporabljajte samo polnilnike, "eSTAR", ki so primerni za vašo napravo. Drugi polnilniki lahko povzročijo trajne poškodbe na napravi.

Vklop / izklop naprave

- Za vklop naprave pritisnite gumb ON / OFF (vklop). Če se naprava ne vklopi, preverite, ali je naprava napolnjena;
- Ko vklopite napravo prvič, jo nastavite po navodilih na zaslonu. Za uporabo aplikacij, ki pridejo v stik z "Google™", se morate registrirati kot novi uporabnik ali pa pojdite na obstoječi račun "Google račun";
- Za izklop naprave pritisnite gumb ON / OFF (izklop).

Opomba: Če želite nastaviti napravo na tovarniške nastavitve, na primer, v primeru ko je program zmrznil, prosimo pritisnite in držite gumb ON / OFF, dokler se naprava znova ne zažene.

Povezava naprave z internetom

- Če želite povezati napravo z internetom, uporabite funkcijo WiFi (WLAN):
 →  Settings →  WLAN-ON. Ko se povežete z ustreznim dostopom WiFi (WLAN), boste morda morali vnesti geslo;
- Če ima naprava možnost uporabe različnih hitrosti interneta (2G / 3G / 4G), se ta funkcija lahko vključi na naslednji način: Settings-Mobile data-ON. Za dodatna navodila glede vzpostavitve, se obrnite na svojega ponudnika storitev. Pozor! Povezovanje in nalaganje podatkov lahko povzroči dodatne stroške. Za več informacij o cenah se obrnite na vašega mobilnega operaterja.

* Google, Google Play so blagovne znamke podjetja Google Inc.

“eSTAR”-i nutikas tahvelarvuti
Mudeli nr:
eSTAR BEAUTY 2 HD Quad Core



e-star

www.estar.eu

Täname, et otsite “eSTAR” nutika tahvelarvuti. Enne tahvelarvuti kasutamist soovime lugeda seda lühikest kasutusjuhendit. Üksikasjalik kasutusjuhend on leitav veebilehel www.estar.eu.

Selle lühikese kasutusjuhendi sisu võib erineda teie “eSTAR”-i mudeli tark- ja riistvara konfiguratsioonist;

- Lühike kasutusjuhend sisaldab teavet, mida võidakse ette teatamata muuta. Uusim versioon on saadaval veebilehel www.estar.eu;
- “eSTAR”-i toodete varustus ja/või lisatarvikud võivad erinevates riikides/regioonides olla erinevad;
- “eSTAR”-i toodete varustus on valmistatud konkreetse mudeli jaoks ning ei pruugi ühilduda teiste “eSTAR”-i toodetega;
- “eSTAR” ei ole vastutav tõrgete eest, mis on põhjustatud mitteühilduvate lisatarvikute (laadijad, kõrvaklapid jne) kasutamise tõttu;
- “eSTAR”-i toodete lisatarvikuid saab osta kohalikult “eSTAR”-i toodete esindajalt;
- “eSTAR” ei ole vastutav puuduva teabe ning rikete eest või teiste juhuste eest, mis on põhjustatud riist- või tarkvara ebaõigest kasutamise tõttu.

Ohutusmeetmed

Palun lugege järgnevat teavet, kuidas kasutada seadet ohutul viisil, et vältida vigastusi või rikkeid:

- Vali hääletugevus kõrvaklappide kasutamisel võib avaldada kahjulikku mõju kuulmisele. Seadistage õige hääletugevus, et vältida kuulmiskahjustusi.
- Hoiatus: olge ettevaatlik, et mitte tekitada elektrilööki, tulekahju või plahvatust;
- Ärge puudutage “eSTAR”-i tooteid ja selle osi märgade kätega ning ärge kasutage seadet laadimise ajal;
- Ärge tõmmake laadijat kaablist;
- Ärge painutage ega kahjustage toitejuhet;
- Ärge kasutage katkist või vigast laadijat;
- Ärge loopige ega lõhkuge laadijat või seadet.
- Ärge kasutage seadet äikesetormi ajal - see võib mõjutada seadme tööd ja suurendada elektrilöögiohtu;
- Ärge võtke ise toodet osadeks lahti;
- Ärge kasutage tahvelarvuti või nutitelefone ekraani puhastamiseks alkoholi, lahustit või bensooli, sest see võib seadme ekraani jäädavalt kahjustada;
- Enamik “eSTAR”-i tooteid ei ole vee- ja niiskuskindlad; seade või saada jäädavalt kahjustada juhul, kui kasutate “eSTAR”-i tooteid niisugustes tingimustes;
- Ärge vajutage tahvelarvuti või nutitelefone ekraanile liiga tugevasti, see võib saada kahjustada;
- Ärge kasutage seadet sõiduki juhtimise ajal, see võib põhjustada liiklusõnnetuse.

Kaitske keskkonda. Kindlustage “eSTAR”-i seadme asjakohane ringlustest kõrvaldamine

- Seadme kasutusest kõrvaldamisel järgige kohalikke eeskirju ja seadusakte.
- Kasutage “eSTAR”-i poolt heaks kiidetud akusid ja laadijaid, mis on toodetud konkreetselt teie seadme jaoks. Mitteühilduva laadija kasutamine võib põhjustada seadme rikke või kahjustuse.
- Ärge põletage seadmeid, mida enam ei kasutata.
- Ärge asetage seadmeid kütteseadmetele, nt mikrolaineahjudele, pliitidele, või radiaatoritele. Ülekuumenemisel võivad akud plahvatada.
- Ärge purustage või torkige seadet. Veenduge, et seade ei ole väljastpoolt tuleva surve all - selle tulemusena võib tekkida seadmesisene lühis, samuti võib seade ülekuumeneda.



See sümbol tootel või saatedokumentidel tähendab seda, et seadet ja elektroonilisi tarvikuid (nt laadija, kõrvaklapid, USB-kaabel jne) ei tohi olmeprügi hulka visata. KASUTAJA, kaitske ennast ja ümbritsevat keskkonda, kasutage võimalust panustada looduse säilitamiseks tulevastele põlvetele, taaskasutage jäätmeid ja andke seade taaskasutusse.

- Eraisikud peaksid ühendust võtma toote müüja (kaupluse, veebipoe jne) või kohaliku omavalitsusega selleks, et saada teavet kuhu ja kuidas viia need elektroonilised jäätmed ohutuks käitlemiseks.
- Juriidilised isikud peaksid ühendust võtma toote tarnijaga selleks, et saada teavet kuhu ja kuidas viia need elektroonilised jäätmed ohutuks käitlemiseks või kui juriidilisel isikul on sõlmitud leping elektroonilisi jäätmeid käitleva organisatsiooniga, peaksid isik jäätmed otse käitlusesse suunama.



CE-märgis tootel või selle pakendil näitab, et toode on vastavuses Euroopa Liidu ohutus-, tervisekaitse- ja keskkonnanõuetega.



RoHS-tähis näitab, et detailid on valmistatud ümbertöödeldud toormest.

Oluline teave

- Aku saavutab täislaetuse peale 2-3 täislaadimist ja tühjenemist.
- Äärmuslikud temperatuurid (kuum / külm) võivad teie seadet kahjustada ja vähendada aku laetuse taset, mis võib lühendada seadme kasutusiga.

Seadme kasutamine piiratud aladel või hoonetes

Hoiatus: seadme kasutamisel piiratud kasutuslooga kohtades tuleb järgida kõik ohutusnõudeid ja -juhiseid.

- Lülitage seade alati välja kohtades, kus selle kasutamine on keelatud;
- Ärge kasutage oma seadet teiste elektrooniliste seadmete läheduses;
- Suurem osa elektronseadmeid kasutab raadiosageduste signaale. Teie seade võib teisi elektronseadmeid häirida.
- Ärge hoidke oma seadet südamestimulaatori läheduses. • Võimaluse korral ärge hoidke seadet südamestimulaatorile lähemal kui 15 cm, kuna see võib südamestimulaatori tööd häirida.
- Et vältida südamestimulaatori tõrgete tõenäosust, hoidke seadet südamestimulaatori suhtes vastaspoolel.
- Ärge kasutage seadet haiglas või selliste meditsiiniseadmete läheduses, mida raadiosagedused võivad segada.
- Kui kasutate mõnda meditsiiniseadet, siis võtke seadme tootjaga ühendust ja veenduge, et raadiosagedused ei häiri;
- Lülitage seade võimalike plahvatusohtlike kohtade läheduses välja;
- Jälgige võimalike plahvatusohtlike kohtade läheduses alati juhised, tähistusi ja märgiseid.
- Ärge kasutage seadet kütuse tankimise ajal (bensiniijaamas) või kohtades kütuste ja kemikaalide läheduses;
- Ärge hoidke seadme, selle osade ja tarvikute hoiukohas mistahes põlevaid vedelikke, gaase ega lõhkeaineid;
- Rooli taga olles on teie peamine kohustus autot ohutult juhtida. Ärge mitte kunagi kasutage seadet mootorsõiduki roolis olles, kui seadus seda keelab.
- Lülitage seade välja õhukütõusmise ja maandumise ajaks. Seade võib häirida õhusõiduki navigatsioonisüsteemi.

“eSTAR”-i toote õige hooldus ja kasutamine

Hoidke seadet kuivas kohas

- Niiskus ning vedelikud võivad seadme osi või seadet jäädavalt kahjustada;
- Ärge lülitage seadet sisse, kui see on märg. Kui seade on juba sisse lülitatud, lülitage see kohe välja ja eemaldage aku. Kui seadet ei saa välja lülitada või kui akut pole võimalik eemaldada - ärge tehke midagi. Hõõruga seade rätikuga kuivaks ja viige see hoolduskeskusesse.
- Tootja garantii ei kehti niiskusest põhjustatud riketele.

Ärge kasutage ega hoidke seadet tolmustes ja räpastes kohtades

- Seadmesse imunud tolm võib selle tööd negatiivselt mõjutada.

Ärge hoidke seadet kaldpindadel

- Kukkudes võib seade saada kahjustusi.

Ärge hoidke seadet külmades või kuumades kohtades

- Kasutage seadet temperatuuridel -20+45 °C;
- Kuumaga ilmaga suletud sõidukisse jäetud seda võib plahvatada, kui seadmesisene temperatuur tõuseb kuni +80 °C;
- Ärge hoidke seadet pikka aega otsese päikesevalguse käes (näiteks sõiduauto paneelil);

Ärge hoidke seadet magnetväljade läheduses

- Magnetväljade mõjul võib seade valesti töötada või aku tühjeneda;

Ärge hoidke seadet küttekehade läheduses või nende peal, näiteks mikrolaineahjul, küpsetusseadmetel või kõrgsurvemahutitel

- Seade võib ülekuumeneda, põhjustada tulekahju või plahvatada.

Ärge loopige ega lööge oma seadet

- Võite lõhkude seadme ekraani;
- Painutatud ja väändunud seade või selle osad võivad olla rikutud ning töötada tõrgetega.

Ärge laske oma seadmel kokku puutuda metallesemetega: müntide, võtmete, kettidega

- Seade või selle ekraan või saada kriimustada.

Kaitske oma silmi valgussähvatuste kahjulike mõju eest

- Ruum, kus te seadet kasutate, peab olema vähemalt minimaalselt valgustatud; ärge hoidke ekraani liiga silmade lähedal.
- Filmide või videomängude mängimisel pika aja jooksul võib teie nägemine ajutiselt halveneda ereda valguse tõttu. Lülitage seade viivitamatule ebameeldivate sümptomite esinemise korral välja.

Vähendage korduvate liigutuste tõttu tekkivate vigastuste ohtu

- Pidevate samade toimingute puhul, nt samade klahvide vajutamisel, teksti kirjutamisel, mängude mängimisel võite tunda ebamugavustunnet kätes, kaelas, õlgades, või teistes kehaosades. Seadme pikaajalise kasutamisel hoidke käsi lõdvestatu ja pingevabana, soovitame teil regulaarselt pause teha. Kui ebameeldivad sümptomid seadme kasutamise käigus jätkuvad, lõpetage selle kasutamine ja pidage nõu arstiga.

Tagage aku ja laadija maksimaalne kasutusiga

- Ärge jätke akut laadima kauem kui nädalaks, sest ülelaadimine võib aku kasutusiga lühendada.

- Kasutamata akud tühjenevad aja jooksul iseenesest ja neid tuleb enne kasutamist uuesti laadida.
- Kui laadijat ei kasutata, tuleb see elektrivõrgust lahti ühendada.

Kaitske kõrvaklappide kasutamisel oma kuulmist

- Liiga vali helitugevus võib olla kahjulik teie kuulmisele;
- Vali helitugevus võib auto juhtimise ajal tähelepanu hajutada ning põhjustada liiklusõnnetuse;
- Vähendage helitugevuste enne kõrvaklappide ühendamist heliallikasse. Seadistage vestluse või muusika kuulamiseks vajalik minimaalne helitugevus;
- Kuivades ruumides võib kõrvaklappides tekkida staatiline elekter. Vältige kõrvaklappide kasutamist kuivades ruumides või puudutage kõrvaklappe enne seadmega ühendamist elektrostaatilise laengu maandamiseks metalltüki.

Järgige ohutusjuhiseid seadme kasutamisel kõndimise või liikumise ajal

- Enda ja teiste vigastamise vältimiseks tuleb ümbruskonda tähelepanelikult jälgida.

Ärge võtke seadet ise osadeks lahti, ärge muutke või parandage seda ise

- Mistahes isetehtud muudatuste või modifikatsioonide korral (sh volitamata muudatused tootja tarkvaras) kaotate tootja garantii. Tooge katkine “eSTAR”-i seade lähimasse volitatud “eSTAR”-i teeninduskeskusesse;
- Ärge värvige seadet ja ärge kleepige sellele kleepse.

Juhised seadme puhastamiseks:

- Puhastage seadet ja laadijat kuiva rätiku/käsnaga või selleks ettenähtud viisil.
- Ärge kasutage kemikaale või desinfitseerimisvahendeid.

Ärge kasutage seadet, kui selle ekraan on purunenud või vigastatud

- Purunenud klaas võib vigastada teie nägu ja käsi. Tooge “eSTAR”-i seade paranduseks klienditeeninduskeskusesse.

Kasutage seadet ainult otstarbekohaselt

Kui te kasutate seadet avalikus kohas, siis püüdke teisi mitte segada.

Olge ettevaatlik SIM-kaartide ja mälukaartide kasutamisel

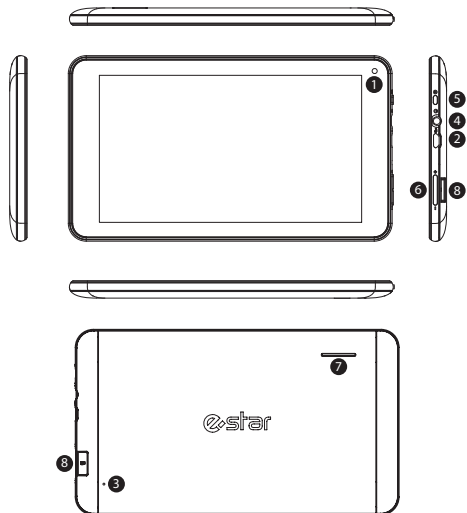
- Ärge võtke teabe üles- või allalaadimise ajal kaarti seadmest välja, see võib põhjustada andmekadu ja/või kahjustada kaarti või seadet.
- Kaitske kaarte elektrilöökidest, staatilise elektri ja teiste seadmete poolt tekitatud elektrilise müra eest.
- Ärge puudutage sõrmedega mälukaardi kullavärvi kontakte või klemme. Kui kaart on mustaks saanud, puhastage see pehme riidega.

Kaitske oma isiklikke ja teisi olulisi andmeid

- Ärge unustage seadme kasutamise ajal varundada olulisi andmeid. “eSTAR” ei ole vastutav andmekao eest;
- Tehke võimalusel olulistest andmetest koopiad ja kustutage ebaoluline teave, kui annate toote paranduseks volitatud “eSTAR”-i teeninduskeskusesse. “eSTAR” ei ole vastutav andmekao eest;
- Varundage enne tarkvara tehaseadete taastamist olulised andmed.
- Kui otsustate seadme kasutusest kõrvaldada, veenduge et sellesse ei jääks olulist või isiklikku teavet.
- Ärge unustage seadme varguse või kadumise korral vahetada isiklike andmete kaitseks oma kontode parooli.

Alustamine

Põhikomponendid



	Funktsioon/selgitus
1.	Esikaamera/videokaamera
2.	USB-pesa
3.	Reset
4.	Kõrvaklapi sisend
5.	Toitenupp
6.	(VOL+/VOL-)nupp
7.	Kõlarid
8.	Micro-SD (HC) pesa

Aku laadimine




- Enne seadme esmakordset kasutamist laadige aku täiesti täis.
- Kasutage “eSTAR”-i laadijaid, mis on toodetud konkreetselt teie seadme jaoks. Teised laadijad võivad seadet jäädavalt kahjustada

Toite sisse-/väljalülitamine

- Seadme sisselülitamiseks vajutage toitenuppu. Juhul, kui seade ei käivitu, kontrollige, kas see on laetud.
- Seadme esimesel kasutuskorral seadistage see vastavalt ekraanil kuvatavale viisardile. Google™-iga seotud rakenduste kasutamiseks peale looma uue või logima sisse olemasolevale Google kontole.
- Seadme väljalülitamiseks vajutage toitenuppu.

Märkus. Tarkvara tehaseadete taastamiseks, näiteks juhul, kui rakenduse käivitamine ebaõnnestub, vajutage ja hoidke all toitenuppu kuni seade taaskäivitub.

Internetiühenduse loomine

- Internetiga ühenduse loomiseks kasutage WiFi (WLAN) funktsiooni:  →  Settings →  WLAN-ON. Teatud WiFi (WLAN) võrguga ühendamisel võib olla vajalik salasõna;
- Kui seadmel on mobiilse andmeside (2G/3G/4G) kasutamise võimalus, saab seda funktsiooni sisse lülitada järgnevalt: Settings-Mobile data-ON. Võtke täiendavate konfigureerimisjuhise saamiseks ühendust oma mobiilsidevõrgu operaatoriga. Tähelepanu! Internetiühendus ja andmete allalaadimine võivad olla lisatasu eest. Üksikasjalikku teavet hindade kohta saate oma mobiilsidevõrgu operaatorilt.

* Google, Google Play on ettevõtte Google Inc. kaubamärgid.

Tabletă inteligentă „eSTAR“
Model nr.:
eSTAR BEAUTY 2 HD Quad Core



e-star

www.estar.eu

Vă mulțumim pentru că ați achiziționat tableta inteligentă „eSTAR“. Înainte de a începe să o utilizați, vă recomandăm să citiți acest ghid de pornire rapidă. Manualul detaliat poate fi consultat pe site-ul web: www.estar.eu.

Conținutul acestui ghid de pornire rapidă poate diferi de configurația software și hardware a modelului dvs. „eSTAR“;

- Ghidul de pornire rapidă conține informații sub rezerva modificărilor, fără o notificare în prealabil. Cea mai nouă versiune este disponibilă pe site-ul web www.estar.eu;
- Echipamentele produselor și/sau ale accesoriilor „eSTAR“ pot diferi în funcție de regiune/țară;
- Echipamentele produselor „eSTAR“ sunt proiectate special pentru un anumit model și pot fi incompatibile cu alte produse „eSTAR“;
- „eSTAR“ nu își asumă răspunderea cu privire la funcționarea eronată cauzată de utilizarea accesoriilor incompatibile (încărcătoare, căști etc.);
- Accesoriile adiționale pentru produsele „eSTAR“ pot fi achiziționate de la reprezentantul produselor „eSTAR“;
- „eSTAR“ nu își asumă răspunderea cu privire la informațiile lipsă sau defecțiunile cauzate de utilizarea necorespunzătoare a hardware-ului și a software-ului sau alte accidente.

Măsurile de siguranță

Pentru a utiliza dispozitivul în condiții de siguranță - pentru a evita accidentările sau defecțiunile, vă rugăm să citiți următoarele informații:

- Volumul ridicat în timp ce utilizați căștile poate avea un efect advers asupra auzului dvs. Vă rugăm să reglați volumul corespunzător pentru a evita afectarea auzului.
- Avertisment: fiți precaut pentru a nu cauza un șoc electric, incendiu sau explozie;
- Nu atingeți produsul „eSTAR“ și piesele acestuia cu mâinile ude și nu utilizați dispozitivul în timp ce se încarcă;
- Nu trageți încărcătorul de cablu;
- Nu îndoiți sau deteriorați cablul de alimentare;
- Nu utilizați încărcătorul deteriorat sau defect;
- Nu aruncați sau distrugeți încărcătorul sau dispozitivul.
- Nu utilizați dispozitivul în timpul furtunilor cu fulgere - acest lucru poate afecta funcționarea dispozitivului și poate spori riscul unui șoc electric;
- Nu dezasamblați produsul de unul singur;
- Atunci când curățați ecranul tabletei sau al telefonului dvs. inteligent, nu utilizați alcool, diluant sau benzen, deoarece acestea pot cauza o deteriorare permanentă a ecranului dispozitivului dvs.;
- Majoritatea produselor „eSTAR“ nu sunt rezistente la umiditate sau apă; în cazul în care utilizați produsele „eSTAR“ în aceste condiții, dispozitivul se poate deteriora permanent;
- Nu apăsați prea tare pe ecranul tabletei sau al telefonului inteligent - acesta se poate deteriora;
- Nu utilizați dispozitivul în timp ce conduceți, acest lucru poate cauza un accident rutier.

Protejați mediul înconjurător. Asigurați eliminarea corespunzătoare a dispozitivului „eSTAR“

- Atunci când eliminați dispozitive, respectați normele și reglementările locale.
- Utilizați bateriile și încărcătoarele aprobate pentru „eSTAR“, proiectate special pentru dispozitivul dvs. Utilizarea unui încărcător incompatibil poate cauza defectarea sau deteriorarea dispozitivului dvs.
- Nu distrugeți dispozitivele care nu mai sunt utilizate prin ardere.
- Nu așezați dispozitivele pe echipamente de încălzire, cum ar fi cuptoarele cu microunde, fierbătoarele sau radiatoarele. Bateriile pot exploda atunci când sunt încălzite excesiv.
- Nu striviți sau perforați dispozitivul. Asigurați-vă că dispozitivul nu se află sub presiune din exterior - aceasta poate rezulta într-un scurt-circuit intern sau dispozitivul se poate supraîncălzi.



Acest simbol de pe produs sau care însoțește documentele înseamnă faptul că dispozitivul și accesoriile electronice (de ex.: încărcător, căști, cablu USB etc.) nu trebuie amestecate cu deșeurile menajere generale. Ca și UTILIZATOR, protejați-vă pe dvs. și mediul înconjurător, profitați de ocazia de a contribui la conservarea naturii pentru generațiile următoare, reciclați deșeurile și oferiți-le spre reciclare.

- Pentru mai multe informații cu privire la locul și modul de livrare a acestor deșeuri electronice pentru a fi manipulate în condiții de siguranță, persoanele fizice ar trebui să contacteze distribuitorul produsului (magazin, magazin online etc.) sau autoritățile locale;
- Pentru mai multe informații cu privire la locul și modul de livrare a acestor deșeuri electronice pentru a fi manipulate în condiții de siguranță, persoanele juridice ar trebui să se adreseze furnizorului acestor produse și dacă dispun de un acord încheiat cu o organizație pentru reciclarea deșeurilor electronice, acestea ar trebui să le ofere direct spre reciclare.



Marca CE de pe produs (sau ambalajul acestuia) indică faptul că produsul este în conformitate cu cerințele Uniunii Europene privind siguranța, sănătatea și protecția mediului.



Marca RoHS indică faptul că piesele sunt fabricate din materiale reciclate.

Informații importante

- Bateria se va încărca complet după ce s-a descărcat și ați încărcat-o de 2-3 ori.
- Temperaturile extreme (căldură / frig) vă pot deforma dispozitivul și pot reduce sarcina bateriei, cauzând și o durată de funcționare mai mică a dispozitivului.

Utilizarea dispozitivului în zone sau incinte restricționate

Avertisment: atunci când utilizați dispozitivul în zone restricționate, respectați toate avertismentele și instrucțiunile referitoare la siguranță.

- Opriți întotdeauna dispozitivul acolo unde utilizarea acestuia este interzisă;
- Nu utilizați dispozitivul în apropierea altor aparate electronice;
- Majoritatea dispozitivelor electronice utilizează semnale cu frecvență radio. Dispozitivul dvs. poate interfera cu alte aparate electronice.
- Nu așezați dispozitivul dvs. lângă stimulatorul cardiac. Dacă este posibil, încercați să nu țineți dispozitivul la o distanță mai mică de 15 cm de stimulatorul cardiac, dispozitivul dvs. poate interfera cu stimulatorul. Pentru a reduce probabilitatea de interferență cu stimulatorul cardiac, țineți dispozitivul pe partea opusă a corpului unde se află stimulatorul.
- Nu utilizați dispozitivul în incinta spitalelor sau în apropierea aparatelor medicale, din cauza frecvențelor radio cu care pot interfera;
- În cazul în care utilizați un dispozitiv medical, contactați fabricantul acestuia și asigurați-vă că frecvențele radio ale acestuia nu interferează;
- Opriți dispozitivul atunci când vă aflați în apropierea locurilor cu potențial exploziv;
- Respectați întotdeauna instrucțiunile, marcasele și semnele referitoare la locurile cu potențial exploziv;
- Nu utilizați dispozitivul atunci când alimentați cu combustibil (într-o benzinărie) sau în apropierea materialelor sau a substanțelor chimice inflamabile;
- Nu păstrați lichide inflamabile, gaz sau materiale explozive acolo unde depozitați dispozitivul, piesele sau accesoriile acestuia.
- Responsabilitatea dvs. principală este de a conduce în condiții de siguranță. Nu utilizați dispozitivul niciodată în timp ce conduceți, dacă regulile interzic acest lucru;
- Opriți-vă dispozitivul atunci când decolați și când aterizați. Dispozitivul poate interfera cu sistemul de navigare al avionului.

Întreținerea și utilizarea corespunzătoare a produsului „eSTAR“

Păstrați dispozitivul într-un spațiu uscat

- Umiditatea și lichidele de orice natură pot deteriora permanent piesele sau chiar dispozitivul;
- Nu porniți dispozitivul dacă acesta este umed. Dacă dispozitivul este deja pornit, opriți-l imediat și scoateți bateria. Dacă dispozitivul nu poate fi oprit sau dacă nu puteți scoate bateria - nu luați nicio măsură. Ștergeți dispozitivul cu un prosop și duceți-l la un centru de reparații.
- Garanția fabricantului nu acoperă defectiunile cauzate de umiditate.

Nu utilizați, nu depozitați dispozitivul în spații cu praf, murdare

- Praful care pătrunde în dispozitiv poate afecta funcționarea acestuia.

Nu țineți dispozitivul pe suprafețe înclinate

- Dacă dispozitivul cade, acesta se poate deteriora.

Nu depozitați dispozitivul în spații răcoroase sau călduroase

- Utilizați dispozitivul doar la temperaturi de $-20 +45$ °C;
- În caz de vreme caldă, dispozitivul, lăsat într-un vehicul închis, poate exploda pe măsură ce temperatura din interior poate atinge $+80$ °C;
- Nu expuneți dispozitivul la razele solare directe pentru o perioadă îndelungată (de exemplu, pe platforma mașinii);

Nu țineți dispozitivul în apropierea câmpurilor magnetice

- Din cauza efectului câmpurilor magnetice, dispozitivul poate începe să funcționeze necorespunzător sau bateria se poate descărca;

Nu țineți dispozitivul în apropierea sau pe dispozitivele de încălzire, de exemplu, pe cuptoarele cu microunde, aparatele de gătit sau recipientele sub presiune ridicată

- Dispozitivul se poate supraîncălzi, poate cauza incendiu sau exploda.

Nu aruncați și nu loviți dispozitivul dvs

- Puteți sparge ecranul dispozitivului;
- Dispozitivul sau piesele acestuia se pot deteriora sau pot începe să funcționeze necorespunzător atunci când sunt îndoite sau deformat.

Nu permiteți dispozitivului dvs. să intre în contact cu articole metalice: monede, chei, lanțuri

- Dispozitivul sau ecranul acestuia se poate zgâria.

Protejați-vă ochii de efectele adverse ale semnalelor luminoase

- Încăperea în care utilizați dispozitivul dvs. trebuie să fie iluminată cel puțin minim, nu mențineți dispozitivul foarte aproape de ochi.
- În timp ce vizionați un film sau jucați un joc video pentru o perioadă îndelungată, vederea dvs. poate fi redusă temporar din cauza expunerii la lumina strălucitoare. Dacă resimțiți simptome neplăcute, opriți dispozitivul imediat.

Reduceți riscul accidentărilor cauzate de mișcări repetitive

- În cazul aceluiași acțiuni constante: apăsarea aceluiași taste, redactarea unui text, jucarea unor jocuri, puteți întâmpina disconfort la nivelul mâinilor, al gâtului, al umerilor sau al altor părți ale corpului. În cazul utilizării prelungite a acestui dispozitiv, țineți-l cu mâna relaxată, neîncordată, vă sfătuim să luați pauze periodice. Dacă simptomele neplăcute persistă în timp ce utilizați dispozitivul, încetați să îl mai utilizați și consultați un medic.

Asigurați durata maximă de funcționare a încărcătorului și a bateriei

- Nu lăsați bateria la încărcat pentru mai mult de o săptămână, având în vedere că supraîncărcarea îi

poate reduce durata de funcționare.

- În timp, bateriile neutilizate se descarcă de la sine și trebuie reîncărcate înainte de utilizare.
- Deconectați încărcătoarele de la rețeaua de alimentare atunci când nu le utilizați.

Protejați-vă auzul atunci când utilizați căștile

- Volumul prea ridicat al sunetului poate fi dăunător auzului dvs.;
- Un volum ridicat al sunetului, în timp ce conduceți, poate distrage atenția și cauza un accident;
- Înainte de a conecta căștile la sursa sonoră, reduceți volumul. Setati parametrul minim al volumului necesar pentru a asculta conversația sau muzica;
- Dacă vă aflați într-o încălțată uscată, electricitatea statică se poate acumula în căști. Evitați utilizarea căștilor în încălțate uscate sau, înainte de a conecta căștile la dispozitiv, atingeți-le de o piesă metalică pentru a cauza descărcarea electrostatică.

În cazul utilizării dispozitivului, în timp ce vă plimbați sau vă mișcați, respectați măsurile de siguranță

- Respectați mediul înconjurător pentru a evita accidentarea dvs. și a celorlalți.

Nu dezasamblați, modificați sau reparați dispozitivul de unul singur

- În cazul oricărei schimbări sau modificări efectuate de către dvs. (inclusiv modificările neautorizate la software-ul fabricantului) veți pierde garanția fabricantului. Vă rugăm să aduceți dispozitivul „eSTAR“ stricat la cel mai apropiat centru de reparații „eSTAR“ autorizat;
- Nu vopsiți dispozitivul și nu aplicați etichete pe acesta.

Instrucțiuni privind curățarea dispozitivului:

- Curățați dispozitivul și încărcătorul cu un prosop/burete uscat sau prin mijloace proiectate special.
- Nu utilizați produse chimice sau dezinfectanți.

Nu utilizați dispozitivul dacă ecranul este spart sau deteriorat

- Sticla spartă poate cauza leziuni la nivelul feței și a mâinilor dvs. Aduceți dispozitivul la centrul de servicii clienți „eSTAR“ în vederea reparației.

Utilizați dispozitivul doar în scopul pentru care acesta a fost destinat

Atunci când utilizați dispozitivul într-un spațiu public, încercați să nu îi deranjați pe ceilalți

Fiiți atenți la cartelele SIM și de memorie

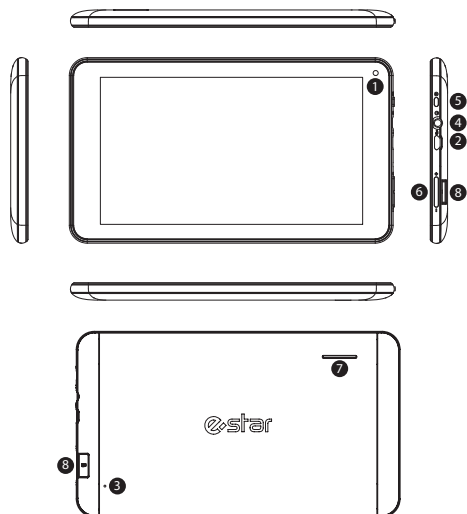
- Nu scoateți cartela atunci când dispozitivul descarcă sau încarcă informații, deoarece poate duce la pierderea de date și (sau) deteriorarea cartelei sau a dispozitivului.
- Protejați cartela împotriva șocurilor, a electricității statice, a zgomotului electric cauzat de alte dispozitive.
- Nu atingeți contactele sau clemele de culoare aurie ale card-ului de memorie cu degetele. Dacă este murdară, curățați cartela cu un material textil moale.

Protejați-vă datele personale și alte date importante

- Nu uitați să salvați o copie de siguranță a datelor importante atunci când utilizați dispozitivul. „eSTAR“ nu își va asuma răspunderea pentru pierderea datelor;
- Atunci când predați dispozitivul unui centru service „eSTAR“ în vederea reparației, realizați copii ale datelor importante și ștergeți informațiile importante, dacă este posibil. „eSTAR“ nu își va asuma răspunderea pentru pierderea datelor;
- Înainte de a reseta software-ul la setările din fabrică, nu uitați să efectuați o copie de siguranță a datelor importante;
- Dacă ați decis să eliminați dispozitivul dvs., asigurați-vă că nu au mai rămas informații personale sau importante în acesta;
- În caz de furt sau pierdere a dispozitivului, nu uitați să schimbați parolele conturilor dvs. pentru a vă proteja informațiile personale.

Pornirea

Componentele principale



	Funcție/explicație
1.	Cameră frontală/cameră video
2.	Soclu USB
3.	Reset
4.	Soclu pentru căști
5.	Buton de pornire
6.	(VOL+/VOL-) buton
7.	Difuzoare
8.	Fantă micro SD(HC)

Încărcarea bateriei




- Înainte de a utiliza dispozitivul pentru prima dată, încărcați bateria complet.
- Utilizați încărcătoarele „eSTAR” proiectate special pentru dispozitivul dvs. Alte încărcătoare pot duce la deteriorarea permanentă a dispozitivului dvs.

Pornirea/oprirea

- Pentru a porni dispozitivul, apăsați butonul de alimentare. Dacă dispozitivul nu pornește, vă rugăm să verificați dacă este încărcat;
- La pornirea dispozitivului pentru prima dată, setați-l conform asistentului de pe ecran. Pentru a utiliza aplicațiile care interacționează cu Google™, trebuie să creați un cont Google nou sau să vă înregistrați pe cel existent;
- Pentru a opri dispozitivul, apăsați butonul de alimentare.

Notă: Pentru a reseta software-ul la setările din fabrică, de exemplu, dacă o aplicație nu pornește, apăsați și mențineți butonul de alimentare apăsat până când dispozitivul este reinițializat.

Conexiunea la internet

- Pentru a vă conecta la internet, utilizați funcția WiFi (WLAN):  →  Setări →  WLAN-ON. Atunci când vă conectați la un anumit WiFi (WLAN) este necesară o parolă de acces;
- Dacă dispozitivul are posibilitatea de a utiliza date mobile (2G/3G/4G), această funcție poate fi activată astfel: Setări-Date mobile-ON. Vă rugăm să contactați operatorul dvs. de rețea mobilă pentru mai multe instrucțiuni privind configurația. Atenție! Conexiunea și descărcarea de date pot fi supuse unor taxe adiționale. Mai multe informații detaliate cu privire la tarife vor fi oferite de către operatorul dvs. de rețea mobilă.

* Google, Google Play sunt mărci comerciale deținute de Google Inc.

DECLARAȚIE DE CONFORMITATE CE

Data eliberării: 03-07-2017

Noi,
Mikrovisata UAB,
Adresa: Savanoriu pr. 125, Kaunas, Lituania

Declarăm produsul
Descriere: eSTAR BEAUTY 2 HD Quad core (MID7388) tabletă PC ecran 7,0” inch, 8GB memorie flash
Nume marcă: eSTAR
Nr. model: eSTAR BEAUTY 2 HD Quad core (MID7388)

Standarde relevante EN 62479:2010
Specificații Evaluarea conformității echipamentelor electronice și electrice de putere mică în raport cu restricțiile de bază privind expunerea umană la câmpuri electromagnetice (între 10 MHz și 300 GHz)
/ Directive:

ETSI EN 300 328 V1.7.1 (2006-10):
Compatibilitate electromagnetică și probleme ale spectrului radio (ERM); sisteme de transmisie pe bandă largă; echipamente de transmisie a datelor care funcționează pe bandă ISM de 2.4 GHz și folosește tehnici de modulație cu spectru împrăștiat; standardele Harmonize EN care acoperă cerințe esențiale și Articolul 3.2 al Directivei R&TTE

ETSI EN 301 489-1 V1.9.2 (2011-09):
Compatibilitate electromagnetică și probleme ale spectrului radio (ERM); Compatibilitate electromagnetică (EMC) standard pentru echipamente și servicii radio; Partea 1: Cerințe tehnice comune

ETSI EN 301 489-17 V2.1.1 (2009-05):
Compatibilitate electromagnetică și probleme ale spectrului radio (ERM); Compatibilitate electromagnetică (EMC) standard pentru echipamente și servicii radio; Partea 17: Condiții particulare pentru sistemele de transmisie pe bandă largă de 2.4 GHz și aparat RLAN de înaltă performanță de 5 GHz

EN55022: 2010
Echipamente de tehnologia informației – Caracteristici ale perturbărilor radio – Limite și metode de măsurare

EN61000-3-2: 2006 + A1: 2009 + A2: 2009
Compatibilitate electromagnetică (EMC) – Partea 3-2: Limite – Limite ale emisiilor de curent armonic (curent absorbit de către aparat mai mic sau egal cu 16A pe fază)

EN61000-3-3: 2008
Compatibilitate electromagnetică (EMC) – Partea 3-3: Limite – Limitare a schimbărilor de tensiune, fluctuațiilor de tensiune și a flicker-ului în rețele de joasă tensiune, pentru echipamente cu un curent absorbit ≤16A pe fază și care nu sunt supuse restricțiilor de conectare

EN55024: 2010
Echipamente de tehnologia informației – Caracteristici privind imunitatea – Limite și metode de măsurare

Directiva privind echipamentele radio și echipamentele terminale de telecomunicații (1999/5/EC) - R&TTE
Art. 3.1(a), 3.1(b) și Art. 3.2

CEO Eimundas Mačiulis

CONSUMER ELECTRONICS

e-star

www.estar.eu

TV STAR

www.tvstar.eu



Dispositivo smart „eSTAR“

Número de modelo: eSTAR BEAUTY 2 HD Quad Core



e-star

Le agradecemos por haber comprado el dispositivo smart „eSTAR“. Se recomienda leer esta Breve Guía del usuario antes de usar el dispositivo por primera vez. La Guía Completa está disponible en la página web www.estar.eu.

El contenido de la Breve Guía del usuario puede incluir el software y hardware diferentes al modelo „eSTAR“ que ha comprado;

- El contenido de esta Breve Guía del usuario puede ser cambiado sin previo aviso. La última versión está disponible en la página web www.estar.eu;
- El equipamiento de los productos y/o los accesorios „eSTAR“ vendidos pueden variarse en función de la región/del país;
- El equipamiento de los productos „eSTAR“ está destinado precisamente para este modelo y puede ser incompatible con otros productos „eSTAR“;
- „eSTAR“ no lleva ninguna responsabilidad por los defectos del dispositivo causados por el uso de los accesorios incompatibles (cargadores, auriculares, etc.);
- Puede comprar accesorios compatibles con los productos „eSTAR“ a través de un distribuidor de „eSTAR“ en su región;
- „eSTAR“ no lleva ninguna responsabilidad por la información no incluida, por los defectos causados por el uso incorrecto del hardware y software y por otros accidentes.

Medidas de seguridad

Lea esta información, para su seguridad y para la prevención de los daños a la salud y de los defectos:

- El uso de los auriculares con volumen alto puede causar trastornos auditivos. Por favor ajuste el volumen de manera que no afecte su audición;
- Advertencia: evite choques eléctricos, ignición y explosión;
- No toque el dispositivo „eSTAR“ o sus partes con las manos mojadas y no utilice el dispositivo mientras se está cargando;
- No tire el cable del cargador;
- No doble el cable de alimentación eléctrica y no lo deteriore de otras maneras;
- No cargue el dispositivo con un cargador defectuoso o estropeado;
- No lance y no pegue el cargador o el dispositivo.
- No utilice el dispositivo durante una tormenta, puede afectar el funcionamiento del dispositivo y aumentar el riesgo de choques eléctricos;
- En ningún caso desmonte el dispositivo por sí solo;
- Durante la limpieza de la pantalla del tablet o del smartphone, no utilice los medios que contienen alcohol, disolvente o bencol, esto puede causar daño irreversible a la pantalla del dispositivo;
- La mayoría de los productos „eSTAR“ no son resistentes a la humedad y al agua, el uso de los productos „eSTAR“ en estas condiciones puede causar daños irreversibles al dispositivo;
- No presione la pantalla del tablet o del smartphone muy fuerte, esto puede causar su daño;
- No utilice el dispositivo mientras conduzca, esto puede provocar un accidente.

Conserve el medio ambiente. Asegúrese de llevar el producto „eSTAR“ a un punto de reciclaje destinado para ello

- El reciclaje del dispositivo debe realizarse conforme a las normas y los requerimientos locales.
- Utilice los acumuladores y cargadores aprobados por „eSTAR“ y destinados para su dispositivo. El uso de los cargadores incompatibles puede causar daño o deterioro al dispositivo.
- No ponga los dispositivos sobre los aparatos caloríferos, por ejemplo, sobre el microondas, la cocina o el radiador. El calentamiento excesivo de los acumuladores puede causar su explosión.
- No apriete y no pinche el dispositivo. Asegúrese de que el dispositivo no esté bajo presión externa, esto puede causar el cortocircuito interno o el sobrecalentamiento del dispositivo.



El presente símbolo en el dispositivo, en sus accesorios o en la documentación indica que los dispositivos no utilizados o los accesorios electrónicos (por ejemplo, el cargador, los auriculares, el cable USB, etc.) no pueden estar reciclados junto con otros residuos domésticos. ESTIMADO CLIENTE, cuídese a usted mismo y cuide el medio ambiente, aproveche la oportunidad de contribuir a la conservación de la naturaleza para las generaciones futuras, separe los residuos y llévelos a un centro de reciclaje.

- Para la información sobre dónde y cómo se puede reciclar tales residuos electrónicos de manera segura, los particulares deben dirigirse al vendedor de los dispositivos (la tienda, la tienda en línea, etc.) o a las autoridades locales;
- Para la información sobre dónde y cómo se puede reciclar tales residuos electrónicos de manera segura, las entidades jurídicas deben dirigirse al proveedor de este equipamiento o, en caso de haber adoptado un acuerdo con una empresa de reciclaje de residuos electrónicos, llevarlos directamente a un centro de reciclaje.



La marcación CE (“CE Marking” en inglés) en el producto (o en su embalaje) indica que este producto cumple con los requerimientos de seguridad, salud y protección del medio ambiente de la Unión Europea.



El símbolo RoHS indica que las partes están fabricadas de los materiales reciclados.

Información importante

- La batería se cargará completamente después de haberla descargado y cargado 2-3 veces.
- Las temperaturas extremas (el calor o el frío) pueden deformar su dispositivo y reducir la carga de la batería, esto puede causar que el dispositivo tenga una vida más corta.

El uso del dispositivo en espacios limitados y estrechos

Avertisment: atunci când utilizați dispozitivul în zone restricționate, respectați toate avertismentele și instrucțiunile referitoare la siguranță.

- Siempre apague el dispositivo en lugares donde su uso esté prohibido;
- No utilice el dispositivo cerca de otros dispositivos electrónicos;
- La mayoría de los dispositivos electrónicos utilizan señales de radiofrecuencia. Su dispositivo puede interferir con otros dispositivos electrónicos.
- El dispositivo no debe estar cerca de los marcapasos. Si es posible, intente no utilizarlo en una distancia menos de 15 cm del marcapasos, porque el dispositivo puede interferir con el funcionamiento del marcapasos. Para evitarlo mantenga el dispositivo en el lado contrario del marcapasos.
- No utilice el dispositivo en el hospital o cerca del equipamiento médico que puede estar afectado por radiofrecuencias;
- En caso de que esté utilizando algún aparato médico, contacte con el fabricante del aparato y asegúrese de que las radiofrecuencias de su dispositivo no interfieran con su funcionamiento;
- Apague el dispositivo cerca de lugares potencialmente explosivos;
- Siempre siga las recomendaciones, las instrucciones y los símbolos en lugares potencialmente explosivos;
- No utilice el dispositivo durante el abastecimiento de combustible (en las estaciones de gasolina) o cerca de sustancias inflamables o químicas;
- El lugar donde está el dispositivo, sus partes o sus accesorios, no debe tener ningunos líquidos inflamables, gases o sustancias explosivas;
- La conducción segura es su obligación fundamental. Nunca utilice el dispositivo mientras conduce, si esto está prohibido por las reglas;
- Apague el dispositivo durante el despegue y el aterrizaje del avión. El dispositivo puede interferir con el funcionamiento del sistema de navegación del avión.

El mantenimiento apropiado y la operación del producto „eSTAR“

Mantenga el dispositivo seco

- La humedad y varios tipos de líquidos pueden causar daño irreversible a las partes del dispositivo o al dispositivo;
- No encienda el dispositivo si está mojado. Si el dispositivo ya está encendido, apáguelo inmediatamente y saque la batería. Si el dispositivo no se apaga o no se puede sacar la batería, no haga nada, simplemente seque el dispositivo con una toalla y llévalo a un centro de servicio;
- La garantía del fabricante no cubre los defectos causados por la humedad.

No utilice y no almacene el dispositivo en lugares polvorientos o sucios

- El ingreso del polvo en el dispositivo puede interrumpir su funcionamiento.

No almacene el dispositivo en una superficie inclinada

- Si el dispositivo se resbala y cae, puede estar dañado.

No almacene el dispositivo en lugares con temperaturas muy altas o bajas

- Utilice el dispositivo con temperaturas entre -20 y +45 °C;
- Cuando hace calor el dispositivo dejado en el vehículo cerrado puede explotar porque la temperatura dentro del coche puede llegar a los +80 °C;
- No deje el dispositivo bajo los rayos solares directos (por ejemplo, en el panel de un coche) durante mucho tiempo;

No almacene el dispositivo cerca de los campos magnéticos

- Por el efecto de los campos magnéticos, el dispositivo puede dejar de funcionar o la batería puede descargarse;

No coloque el dispositivo cerca de los calentadores o sobre ellos, así como sobre los microondas, el equipamiento para cocinar y los contenedores de alta presión

- El dispositivo puede sobrecalentarse, causar la ignición o explotar.

No admita que el dispositivo esté expuesto a caídas y golpes

- La pantalla del dispositivo puede romperse;
- Al doblar y deformar el dispositivo, puede estar dañado y sus partes pueden dejar de funcionar.

No admita que su dispositivo toque otros objetos metálicos: monedas, llaves, cadenas

- Pueden dañar el dispositivo o su pantalla.

Proteja sus ojos de los efectos de ráfagas de luz

- El lugar donde utilice el dispositivo debe estar mínimamente iluminado, la pantalla no puede estar muy cerca de sus ojos.
- Cuando vea las películas o juegue a los videojuegos durante mucho tiempo, la iluminación fuerte puede debilitar temporalmente su vista. Al sentir los síntomas desagradables, apague el dispositivo inmediatamente.

Reduzca el riesgo de daño causado por los movimientos repetidos

- Al hacer los mismos movimientos permanentemente (al presionar los mismos botones, al introducir el texto, al jugar a los juegos), puede aparecer una sensación desagradable en sus manos, cuello, hombros u otras partes de su cuerpo. Al utilizar el dispositivo durante mucho tiempo, manténgalo con la mano relajada, sin tensión, recomendamos que descanse regularmente. En caso de que siga teniendo los síntomas desagradables al utilizar el dispositivo, deje de utilizar el dispositivo y consulte a un doctor.

Asegure la vida máxima de la batería y del cargador

- No deje que la batería se cargue durante más de una semana ya que su carga excesiva puede causar

que tenga una vida más corta.

- Con el tiempo las baterías no utilizadas se descargan y deben cargarse otra vez antes de su uso.
- Desconecte los cargadores no utilizados de la red de alimentación eléctrica.

Proteja su oído durante el uso de los auriculares

- Sonidos altos pueden causar anomalías de la audición;
- Sonidos altos mientras conduzca pueden distraer la atención y provocar un accidente;
- Siempre baje el volumen antes de conectar los auriculares a la fuente del sonido. Establezca el nivel mínimo de sonido necesario para hablar o escuchar música;
- Cuando esté en lugares secos, los auriculares pueden crear la electricidad estática. Intente no utilizar los auriculares en lugares secos o tóquelos con un objeto metálico antes de conectarlos al dispositivo para que la electricidad eléctrica se descargue.

Al utilizar el dispositivo cuando camine o cuando se mueva, tome las medidas de precaución

- Para evitar daño a sí mismo y a los demás siempre observe lo que ocurre.

No desmonte, no modifique y no repare el dispositivo por sí mismo

- Cualquier cambio o modificación (incluidos los cambios no autorizados en el software del fabricante) resultará en la cancelación de la garantía del fabricante. Lleve el dispositivo defectuoso „eSTAR“ a un centro de servicio autorizado „eSTAR“ más cercano;
- No pinte el dispositivo y no pegue etiquetas al mismo.

Instrucciones para limpiar el dispositivo:

- Limpie el dispositivo y el cargador con una toalla o una esponja seca o con medios especiales para esto.
- No utilice medios químicos o desinfectantes para la limpieza.

No utilice el dispositivo si la pantalla está rota o estropeada

- El vidrio roto puede causar daño a sus manos o a su cara. Lleve el dispositivo a un centro de servicio „eSTAR“ para la reparación.

Utilice el dispositivo sólo para el fin diseñado

Al utilizar el dispositivo en lugares públicos, intente no molestar a los demás

Tenga cuidado con la tarjeta SIM y con la tarjeta de memoria

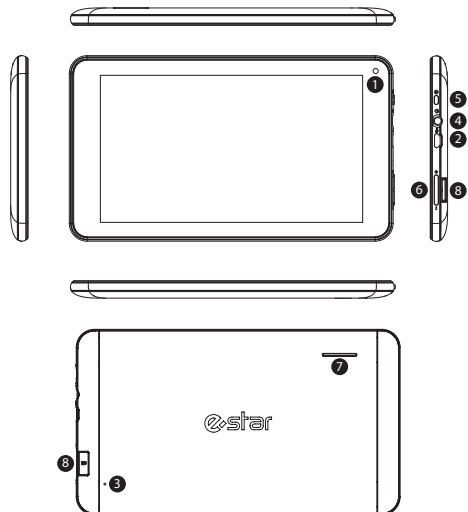
- No saque la tarjeta mientras que el dispositivo está enviando o recibiendo los datos ya que pueden perderse los datos y (o) puede estropearse la tarjeta o el dispositivo.
- Proteja las tarjetas contra los choques, la electricidad estática y las interferencias eléctricas causadas por otros dispositivos.
- No toque los contactos dorados y las bornas de la tarjeta de memoria con sus dedos o con objetos metálicos. Si hay suciedad, limpie la tarjeta con un paño suave.

Proteja sus datos personales e importantes

- Al utilizar el dispositivo, no olvide de hacer una copia de seguridad de los datos importantes. „eSTAR“ no lleva ninguna responsabilidad por los datos perdidos;
- Al entregar el dispositivo a un centro de servicio autorizado „eSTAR“ para su reparación, copie los datos importantes si es posible y borre los datos personales del dispositivo. „eSTAR“ no lleva ninguna responsabilidad por los datos perdidos;
- Antes de recuperar los ajustes de fábrica en el software del dispositivo („Factory Reset“) haga las copias de seguridad de los datos importantes;
- Antes de llevar su dispositivo a un centro de reciclaje, asegúrese de que no tenga ninguna información importante o personal;
- En caso de robo o pérdida del dispositivo, no olvide de cambiar los passwords de sus cuentas de usuario para proteger los datos personales.

Puesta en marcha

Componentes básicos del dispositivo



	Función/Descripción
1.	Cámara fotográfica/video delantera
2.	Enchufe USB (USB Socket)
3.	Reset
4.	Entrada para auriculares
5.	Botón Encender/Apagar (Power button)
6.	Botón de volumen (VOL+/ VOL- button)
7.	Altavoces
8.	Enchufe para la tarjeta Micro SD(HC)

Carga de la batería




- Antes del primer uso del dispositivo cargue completamente la batería;
- Utilice sólo los cargadores „eSTAR“ destinados para su dispositivo. El uso de otros cargadores puede causar daño irreversible del dispositivo.

Apagar/encender el dispositivo

- Para encender el dispositivo presione el botón Encender/Apagar (Power). Si el dispositivo no se enciende, pruebe la carga;
- Al encender el dispositivo por primera vez, ajústelo según las instrucciones en la pantalla. Para utilizar las aplicaciones que interactúan con el Google™ es necesario registrar una nueva cuenta de usuario o entrar la cuenta ya registrada de „Google Account“;
- Para apagar el dispositivo presione el botón Encender/Apagar (Power).

Nota: Para recuperar los ajustes de fábrica del software, por ejemplo, si no responde el programa, mantenga presionado el botón Encender/Apagar (Power) hasta que se reinicie el dispositivo.

Conexión del dispositivo al Internet

- Para conectar el dispositivo al Internet utilice la función WiFi (WLAN):
 →  Settings →  WLAN-ON. Al conectar al acceso correspondiente WiFi (WLAN), posiblemente se necesitará la introducción del password;
- Si el dispositivo puede utilizar los datos móviles (2G/3G/4G), esta función se activa de manera siguiente: Settings-Mobile data-ON. Para más instrucciones sobre el ajuste, por favor, consulte al operador de telefonía móvil. Atención! Una tarifa adicional puede cobrarse por la conexión y la descarga de datos. Para más información sobre las tarifas consulte a su operador de telefonía móvil.

* Google, Google Play son marcas comerciales de Google Inc.

EC DECLARACIÓN DE CONFORMIDAD

Fecha de emisión: 2017-07-03

Nosotros,
Mikrovisata UAB,
Dirección: Šavanoriu pr. 125, Kaunas, Lithuania

Declara el producto
Descripción: eSTAR BEAUTY 2 HD Quad core (MID7388) tablet PC 7,0'' pulgadas de pantalla, 8GB flash
Nombre De La Marca: eSTAR
Modelo No.: eSTAR BEAUTY 2 HD Quad core (MID7388)

Normas relevantes *Directiva de bajo voltaje (2006/95/EC) – LVD:*

Especificaciones/Directivas:

EN 60950-1:2006 + A11:2009 + A1:2010 + A12:2011
EN 50332-2: 2003

Tasa Específica de Absorción – SAR:

EN62209-2: 2010
EN50566:2013
EN62479: 2010

Directiva de Compatibilidad Electromagnética (2004/108/EC) – EMC:

EN 301 489-1 V1.9.2
EN 301 489-17 V2.2.1
EN55022: 2010/AC: 2011
EN55024: 2010
EN61000-3-2: 2006 + A1: 2009 + A2: 2009
EN61000-3-3: 2013

Equipo de Radio y Directiva de equipos terminales de telecomunicación (1999/5/EC) – R&TTE

EN 300 328 V1.8.1

CEO Eimundas Mačiulis



„eSTAR“ smart-uređaj
Model:
eSTAR BEAUTY 2 HD Quad Core



e-star

www.estar.eu

Hvala Vam na kupovini smart-uređaja „eSTAR“. Pre početka upotrebe preporučujemo pročitati ovo kratko uputstvo za upotrebu. Detaljno uputstvo za upotrebu je dostupno na sajtu www.estar.eu. Sadržaj kratkog uputstva za upotrebu može da se razlikuje od modela „eSTAR“ koji ste Vi kupili u zavisnosti od softverskog paketa i hardverske opreme;

- Informacije koje su navedene u ovom kratkom uputstvu za upotrebu mogu da budu promenjene bez prethodnog obaveštenja. Poslednja verzija je dostupna na sajtu www.estar.eu;
- Sastav proizvoda i/ili dodatne opreme koja se prodaje od strane „eSTAR“ mogu da se razlikuju u zavisnosti od regiona/države;
- Sastav proizvoda „eSTAR“ namenjen je konkretno za taj model i može da bude nekompatibilan sa drugim proizvodima „eSTAR“;
- „eSTAR“ ne snosi odgovornost za neispravnosti uređaja izazvane korišćenjem nekompatibilne dodatne opreme (punjača, slušalica ili dr.);
- Dodatnu opremu, kompatibilnu sa proizvodima „eSTAR“, možete nabaviti kod regionalnog predstavnika „eSTAR“;
- „eSTAR“ ne snosi odgovornost za izgubljene informacije i za neispravnosti koje su izazvane nepravilnim korišćenjem hardverskog i softverskog paketa ili za druge nesrećne slučajeve.

Mere bezbednosti

U cilju bezbednog korišćenja uređaja, kako bi se izbegle povrede i neispravnosti pročitajte ove informacije:

- Korišćenje slušalica ako jačina zvuka je prevelika može izazvati oštećenje sluha. Molimo vas da podesite jačinu zvuka tako da ona ne oštećuje vaš sluh;
- Upozorenje: izbegavajte nastajanje strujnog udara, požara i eksplozije;
- Ne dodirujte uređaj „eSTAR“, a takođe njegove delove mokrim rukama, ne koristite uređaj dok je uključen na punjenje;
- Ne vucite kabl uređaja za punjenje;
- Ne presavijajte i drugim načinima ne oštećujte kabl za napajanje električnom energijom;
- Ne puniti uređaj neispravnim ili oštećenim punjačem;
- Ne dozvoljavajte da dođe do padanja i udaranja punjača ili samog uređaja.
- Ne koristite uređaj za vreme grmljavina – to može uticati na rad uređaja i može povećati rizik od strujnog udara;
- U nikom slučaju ne rastavljajte uređaj samostalno;
- Prilikom čišćenja ekrana tablet računara ili smartfona ne koristite sredstva koja sadrže alkohol, razređivač ili benzin, to može nepovratno oštetiti ekran uređaja;
- Većina proizvoda „eSTAR“ nije otporna na uticaj vlage i vode, korišćenjem proizvoda „eSTAR“ u takvim uslovima uređaj može da bude nepovratno oštećen;
- Ne pritiskajte suviše jako na ekran tablet računara ili smartfona – to može dovesti do njegovog oštećenja;
- Ne koristite uređaj za vreme vožnje – to može izazvati saobraćajnu nesreću.

Čuvajte životnu sredinu. Pobrinite se za pravilnu reciklažu proizvoda „eSTAR“

- Prilikom recikliranja uređaja rukovodite se lokalnim pravilima i zahtevima.
- Koristite potvrđene „eSTAR“ baterije i punjače koji su izrađeni specijalno za Vaš uređaj. Pri korišćenju nekompatibilnih punjača možete ozbiljno oštetiti ili pokvariti uređaj.
- Ne postavljajte uređaje na grejna tela kao što su naprimer mikrotalasne peći, šporeti ili radijatori. Od prekomernog zagrevanja može da dođe do eksplozije baterije.
- Ne izlažite uređaj pritiskanju i probijanju. Pobrinite se o tome da se uređaj ne nalazi pos pritiskom sa spoljne strane – to može izazvati unutrašnji kratki spoj ili pregrevanje uređaja.



Ovaj znak na uređaju, na njegovoj dodatnoj opremi ili u dokumentaciji pokazuje da uređaju ili sastavni delovi njihove dodatne opreme koji nisu u upotrebi (naprimer punjač, slušalice, USB-kabl idr.) ne treba bacati zajedno sa drugim običnim komunalnim otpadom. KORISNICI, zaštitite sebe i životnu sredinu, iskoristite mogućnost učestvovati u zaštiti prirode za buduće generacije, sortirajte otpad i predavajte ga na preradu.

- Privatna lica za dobijanje informacija gde i kako odložiti takav elektronski otpad za bezbednu preradu treba da se obrate prodavcu uređaja (radnja, internet-trgovina ili dr.) ili lokalnim organima uprave;
- Pravna lica, za dobijanje informacija gde i kako odložiti takav elektronski otpad za bezbednu preradu treba da se obrate isporučiocu tog uređaja ili ako su ona zaključila sporazum sa organizacijom za recikliranje elektronskog otpada da joj direktno predaju na preradu.



Oznaka CE (engl. „CE Marking“) na proizvodu (ili na njegovom pakovanju) označava da ovaj proizvod odgovara zahtevima Evropske unije za bezbednost, zdravlje i zaštitu životne sredine.



Oznaka RoHS označava da su delovi izrađeni od prerađenih sirovina.

Važne informacije

- Baterija će biti potpuno napunjena kada ćete je napuniti i isprazniti 2-3 puta.
- Ekstremne temperature (vrućina/hladnoća) mogu dovesti do deformacije Vašeg uređaja i smanjiti punjenje baterije, to može uticati na skraćivanje roka upotrebe uređaja.

Korišćenje uređaja u mestima i prostorijama u kojima njegovo korišćenje je ograničeno

Upozorenje: prilikom korišćenja uređaja umestima u kojima njegovo korišćenje je ograničeno, poštujujte sva pravila za bezbedno korišćenje.

- Uvek isključujte uređaj tamo gde je zabranjena njegova upotreba;
- Ne koristite uređaj u blizini drugih elektronskih uređaja;
- Većina elektronskih uređaja koristi radiofrekventne signale. Vaš uređaj može ometati rad drugih elektronskih uređaja.
- Ne postavljajte uređaj u blizini pejsmejkera srca. Po mogućnosti pobrinite se da ga ne koristite na rastojanju manjem od 15 cm od pejsmejkera srca jer uređaj može da ometa rad pejsmejkera srca. U cilju izbegavanja nastajanja smetnji uređaj držite na suprotnoj strani od pejsmejkera srca.
- Ne koristite uređaj u bolnicama ili u blizini medicinske opreme, koja može da bude ometana radio frekvencijama;
- U slučaju da Vi koristite neki medicinski uređaj, obratite se proizvođaču tog uređaja i ubedite se da radio frekvencije Vašeg uređaja neće ometati njegov rad;
- Isključite uređaj kada se nalazite u blizini mesta u kojima postoji opasnost od eksplozije;
- Uvek poštujujte napomene, uputstva i znakove u mestima u kojima postoji opasnost od eksplozije;
- Ne koristite uređaj prilikom punjenja goriva (na benzinskim pumpama) ili u blizini goriva ili hemikalija;
- U mestu u kome se nalazi uređaj, njegovi delovi ili dodatna oprema ne treba čuvati nikakve zapaljive tečnosti, gasove ili eksplozivne materije;
- Bezbedna vožnja je Vaša osnovna obaveza. Nikad ne koristite uređaj u toku upravljanja automobilom ako je to zabranjeno pravilima;
- Isključite uređaj prilikom poletanja i sletanja aviona. Uređaj može ometati rad sistema za navigaciju aviona.

Pravilno održavanje i korišćenje proizvoda „eSTAR“

Čuvajte uređaj suvim

- Vлага i različite vrste tečnosti mogu da nepovratno oštete delove uređaja ili sam proizvod;
- Ne uključujte uređaj ako je vlažan. Ako uređaj je već uključen odmah ga isključite i izvadite bateriju. Ako nije moguće isključiti uređaj ili ne možete izvaditi bateriju ne radite ništa, jednostavno obrišite uređaj krpom i odnesite ga u servisni centar;
- Garancija proizvođača ne važi kada su u pitanju neispravnosti izazvane uticajem vlage.

Ne koristite i ne čuvajte uređaj u mestima u kojima su prisutni prašina i prljavštine

- Prašina koja je ušla u uređaj može da utiče na njegov rad.

Ne ostavljajte uređaj na kosim površinama

- Ako uređaj usklizne, može se oštetiti pri padanju.

Ne čuvajte uređaj u vrućim ili hladnim mestima

- Koristite uređaj na temperaturi od -20 do +45 °C;
- Po vrućini, ostavljeni uređaj u zatvorenom prevoznom sredstvu može da eksplodira jer temperatura u unutrašnjosti automobila može dostići +80 °C;
- Ne ostavljajte uređaj duže vreme pod dejstvom direktnih sunčevih zraka (na primer iza vetrobranskog stakla u automobilu);

Ne čuvajte uređaj u blizini magnetnih polja

- Zbog uticaja magnetnih polja uređaj može da počne raditi nepravilno ili može da dođe do pražnjenja baterije;

Ne ostavljajte uređaj u blizini grejnih tela ili na njih, a takođe na mikrotalasne peći, na opremu za pripremanje hrane ili na kontejnere pod visokim pritiskom

- Uređaj može da se pregreje, da izazove požar ili da eksplodira.

Ne dozvoljavajte da dođe do padanja i udaranja uređaja

- Može da dođe do lomljenja ekrana uređaja;
- Pri savijanju ili deformisanju uređaj može da se ošteti ili njegovi delovi mogu početi da rade nepravilno.

Ne dozvoljavajte da dođe do kontakta Vašeg uređaja sa drugim metalnim predmetima: monetama, ključevima, lančićima

- Može da dođe do grebanja uređaja ili njegovog ekrana.

Čuvajte oči od štetnog uticaja svetlosnih zraka

- Prostorija u kojoj koristite uređaj treba da bude bar minimalno osvetljena, ne držite ekran suviše blizu do očiju.
- Gledanje filmova ili igranje video igara dugo vremena zbog izloženosti jakom svetlu može privremeno uticati na vaš vid. Ako osetite neprijatne simptome odmah isključite uređaj.

Smanjite rizik od nastajanja povreda izazvanih pokretima koji se ponavljaju

- Stalno izvodeći jedne iste pokrete: pritiskajući jednu istu dugmad, noseći tekst, igrajući igre mogu se pojaviti neprijatni osećaji u rukama, vratu, ramenima i u drugim delovima tela. Prilikom dugog korišćenja uređaja držite ga slobodno u ruci bez naprezanja, savetujemo praviti redovne pauze. Ako i pored toga prilikom korišćenja uređaja vi opet osećate neprijatne simptome obustavite korišćenje uređaja i obratite se lekaru.

Obezbedite maksimalni rok upotrebe baterije i punjača

- Ne ostavljajte bateriju da se puni duže od nedelju dana jer predugo punjenje može skratiti vreme

korišćenja baterije.

- Tokom vremena baterije koje se ne koriste se prazne i pre korišćenja treba da budu ponovo napunjene.
- Punjače koji nisu u upotrebi isključujte od mreže za napajanje električnom energijom.

Vodite brigu o vašem sluhu kada koristite slušalice

- Prejak zvuk može izazvati oštećenje sluha;
- Glasni zvuci tokom vožnje mogu odvlačiti pažnju i mogu izazvati saobraćajnu nesreću;
- Uvek smanjujte jačinu zvuka pre nego što uključite slušalice u izvor zvuka. Podesite minimalnu jačinu zvuka, koja je neophodna za razgovor ili za slušanje muzike;
- Ako se nalazite u suvoj prostoriji u slušalicama može nastati statički elektricitet. Izbegavajte korišćenje slušalica u suvoj prostoriji ili pre uključivanja slušalica u uređaj dodirnite njima metalni predmet kako bi nastalo pražnjenje statičkog elektriciteta.

Koristeći uređaj prilikom šetnje ili kretanja preduzmite mere predostrožnosti

- U cilju izbegavanja povreda i nanošenja povreda drugima uvek pratite šta se dešava oko vas.

Ne rasklapajte, ne modifikujte i ne popravljajte uređaj sami

- Izvođenjem bilo kakvih promena ili modifikacija (uključujući neovlašćene izmene softverskog paketa proizvođača), izgubićete garanciju proizvođača. Neispravn uređaj „eSTAR“ odnesite u najbliži ovlašćeni servisni centar „eSTAR“;
- Ne farbajte uređaj i ne postavljajte nalepnice na njemu.

Uputstva za čišćenje uređaja:

- Čistite vaš uređaj i punjač suvom krpom/sunderom ili specijalnim sredstvima za tu namenu.
- Ne čistite uređaj hemijskim sredstvima ili sredstvima za dezinfekciju.

Ne koristite uređaj ako njegov ekran je slomljen ili oštećen

- Slomljeno staklo može izazvati povrede vašeg lica i vaših ruku. Odnosite uređaj u centar za pružanje usluga klijentima „eSTAR“ na popravku.

Koristite uređaj isključivo u skladu sa njegovom namenom

Kada koristite uređaj na javnom mestu postarajte se da ne smetate drugim ljudima

Budite pažljivi sa SIM karticom i sa memorijskom karticom

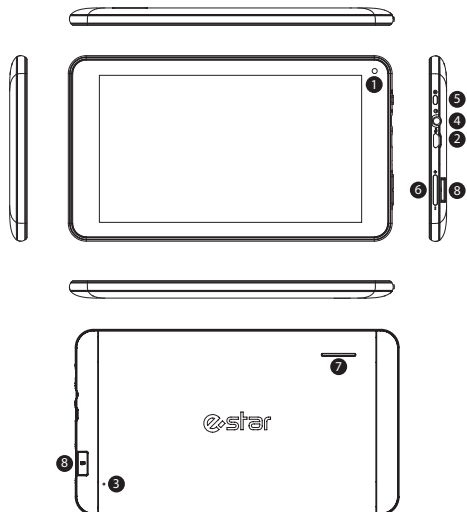
- Ne vadite memorijsku karticu kada uređaj šalje ili prima informacije jer o to može dovesti do gubljenja informacija i (ili) do oštećenja kartice ili uređaja.
- Čuvajte kartice od udara, statičkog elektriciteta i od električnih smetnji izazvanih drugim uređajima.
- Ne dodirujte prstima ili metalnim predmetima zlatnožute kontakte ili kleme memorijske kartice. Ako su oni prljavi, očistite karticu mekanom tkaninom.

Zaštite svoje lične podatke i druge važne podatke

- Prilikom korišćenja uređaja ne zaboravite da napravite rezervnu kopiju važnih podataka. „eSTAR“ ne snosi odgovornost za gubljenje podataka;
- Prilikom predaje uređaja na popravku ovlašćenom servisnom centru „eSTAR“, ako je moguće napravite kopije važnih podataka i obrišite informacije koje su Vama važne sa uređaja. „eSTAR“ ne snosi odgovornost za gubljenje podataka;
- Pre vraćanja parametara softverskog paketa uređaja na fabrička podešavanja („Factory Reset“) pobrinite se da napravite rezervne kopije važnih podataka;
- Ako ste odlučili da vaš uređaj bacite u otpad, ubedite se da u njemu nisu ostale nikakve informacije koje su važne za Vas ili lične informacije;
- U slučaju krađe ili gubljenja uređaja ne zaboravite da promenite lozinke svojih profila kako bi zaštitili lične informacije.

Početak rada

Osnovni delovi uređaja



	Funkcija/objašnjenje
1.	Prednja foto/video kamera
2.	USB priključak (USB Socket)
3.	Reset
4.	Priključak za slušalice
5.	Dugme za uključivanje/isključivanje (Power button)
6.	Dugme za podešavanje jačine zvuka (VOL+/VOL- button)
7.	Zvučnici
8.	Ležište kartice Micro SD(HC)

Punjenje baterije

- Pre prvog korišćenja uređaja potpuno napunite bateriju do kraja;
- Koristite isključivo punjače „eSTAR“, koji odgovaraju konkretno Vašem uređaju. Drugi punjači mogu dovesti do nastajanja nepovratnih oštećenja uređaja.

Uključivanje/isključivanje uređaja

- Za uključivanje/isključivanje uređaja pritisnite dugme Uključivanje/Isključivanje. Ako se uređaj ne uključuje proverite da li je napunjen;
- Kada uključujete uređaj prvi put podesite ga prema uputstvima na ekranu. Da bi bilo moguće korišćenje aplikacija koje uzajamno dejstvuju sa „Google™“, neophodno je registrovati ili ući u već postojeći profil „Google Account“;
- Za isključivanje uređaja pritisnite dugme Uključivanje/Isključivanje (Power).

Napomena: Za vraćanje podešavanja softverskog paketa na fabrička podešavanja na primer u slučaju ako je programa zaglavila, pritisnite i držite dugme Uključivanje/Isključivanje (Power) dok se uređaj ne restartira.

Povezivanje uređaja sa internetom

- Za povezivanje uređaja sa internetom koristite funkciju WiFi (WLAN):
 - ☰ → ⚙ Settings → 📶 WLAN-ON. Prilikom povezivanja sa odgovarajućom tačkom dostupa WiFi (WLAN), može da bude potrebno unošenje lozinke;
- Ako uređaj ima mogućnost korišćenja mobilnih podataka (2G/3G/4G), tu funkciju možete uključiti na sledeći način: Settings-Mobile data-ON. Za dobijanje daljih uputstava za povezivanje i podešavanje molimo Vas da se obratite operatoru mobilne veze. Pažnja! Za povezivanje i za preuzimanje podataka može da bude potrebno plaćanje dodatne novčane sume. Detaljniju informaciju o tarifama će Vam dati Vaš operator mobilne veze.

* Google, Google Play су жигови компаније Google Inc.

den “eSTAR” smarta enheten
Modell nr:
eSTAR BEAUTY 2 HD Quad Core



e-star

Tack för att du har köpt den "eSTAR" smarta enheten. Var så god och se till att du har läst denna användarhandbok innan du använder denna produkt. Detaljerade instruktioner kan hittas på hemsidan www.estar.eu.

Din "eSTAR" modells mjukvara och hårdvara kan skilja sig från dem beskrivna i denna användarhandbok;

- Informationen i snabbstartsguiden kan ändras utan föregående meddelande. Den senaste versionen finns tillgänglig på www.estar.eu;
- Komplet uppsättning och/eller tillgängliga "eSTAR" tillbehör kan variera beroende på region/land.
- Komplet uppsättning av "eSTAR" produkter är avsett bara för denna specifika modell och kan visa sig att inte vara kompatibel med andra "eSTAR" produkter;
- "eSTAR" ansvarar inte för fel som orsakas av inkompatibla tillbehör (laddare, hörlurar, etc.);
- Extra tillbehör som är kompatibla med "eSTAR" produkter säljas av regionala företrädare för "eSTAR";
- "eSTAR" ansvarar inte för försvunna information och skador orsakade av felaktig användning av maskinvara och programvara eller andra olyckor.

Åtgärder för att garantera säkerheten

För säker användning av enheten, för att undvika olyckor och störningar, var så god och läs denna information:

- Om du använder hörlurar och lyssnar med för hög volym kan din hörsel skadas. Var så snäll och justera decibelnivå så att den inte skadar hörseln;
- Varning: undvik elstötar, brand och explosion.
- Vidrör inte "eSTAR" enheten och dessa delar med våta händer och använd enheten inte medan den laddas;
- Dra inte på sladden av laddaren;
- Inte böja eller annars skada strömförsörjningskabel;
- Ladda inte enheten med felaktig eller skadad batteriladdaren;
- Släpp inte laddaren eller enheten själv. Slå dem inte.
- Använd inte enheten vid åska eftersom detta kan påverka enhetens driften och öka risken för elektrisk stöt;
- I inget fall gör enheten isär själv;
- Medan du rengör skärmen av tabletten eller smartphone, använd inte de här produkterna som innehåller alkohol, tunnare eller bensen, för att detta kan skada skärmen irreversibelt.
- De flesta av "eSTAR" produkter är inte resistent mot fukt och vatten/ Under sådana omständigheter kan "eSTAR" enheten skadas ohjälpligt;
- Tryck inte på den skärmen av tabletten eller smartphone alltför mycket för detta kan skada den.
- Använd inte enheten medan körning för detta kan leda till en olycka.

Skydda miljön. Säkerställa korrekt avfallshantering av "eSTAR" produkten

- Vid avfallshantering av enheten, följ lokala bestämmelser och krav.
- Använd batterier och laddare, designade speciellt för din enhet och godkända av "eSTAR". Om du använder inkompatibla laddare, kan du skada eller bryta ner enheten.
- Placera inte enheten på värmeanläggningar (t. ex., mikrovågsugn, ugn eller radiator). Mot överdriven värme kan batterier explodera.
- Fast inte och punktera inte din enhet. Se till att enheten inte vore under påtryckningar från utsidan för detta kan leda till en kortslutning innan enheten eller överhettning av den.



Denna symbol på produkten, denna tillbehör eller dokumentation visar att enheten eller denna elektroniska tillbehör (laddare, hörlurar, USB-kabel, etc.) inte kan bortskaffas med de andra hushållsavfall slutet av sin användning. BÄSTA ANVÄNDARE, var så snäll och ta hand om dig själv och den omgivande miljön, passa på att bidra till naturskydd för kommande generationer, sortera avfall och skicka dem för bearbetning.

- Individuella användare kan kontakta säljaren för enheter (butik, webbshop, etc.) eller de lokala myndigheterna för att få informationen där och hur man måste leverera sådant e-avfall för säker upparbetning.
- Juridiska personer måste få den här informationen från leverantören av utrustningen. Om juridiska personer har ingått ett avtal med organisationen för återvinning av e-avfall, måste de ge produkter i slutet av livet direkt för bearbetning. .



“CE-märkning” på produkten (eller dess behållare) indikerar att denna produkt uppfyller säkerhets-, hälsa- och miljökrav i EU.



RoHS märkning säkerställer att delarna är tillverkade av återvunnet material.

Viktig information

- Batteriet är helt laddat, när du har laddat och laddat ner det 2 - 3 gånger.
- Extrema temperaturer (värme/kyla) kan snedvrیدا enheten och minska batteritid. Detta kan leda till enhetens förkortad livslängd.

Apparat användning i begränsade platser och lokaler

Varning: när du använder enheten i begränsade platser, följ alla säkerhetsbestämmelser.

- Stäng alltid av enheten där det är förbjudet att använda den;
- Använd inte enheten nära andra elektroniska enheter;
- De flesta elektroniska enheter använder radiofrekvens signaler. Din enhet kan störa andra elektroniska enheter.
- Placera inte enheten nära en pacemaker. Om möjligt, försök att inte använda enheten närmare än 15 cm från en pacemaker därför att enheten kan störa driften av pacemakern. Du undviker detta genom att hålla enheten på motsatt sida från pacemakern.
- Använd inte enheten på ett sjukhus eller i närheten av medicinsk utrustning som kan störas av radiovågor.
- Om du använder någon medicinsk utrustning, kontaktar du tillverkaren och säkerställer att enhetens radiofrekvenser inte störar din medicinsk utrustning;
- Stäng av enheten nära explosionsfarliga platser;
- Följ alla anvisningarna, instruktioner och skyltar i explosionsfarliga områden;
- Använd inte enheten under bränslepåfyllning (på bensinstationer) eller nära brandfarliga substanser, kemikalier;
- Inga brandfarliga vätskor, gaser eller explosiva substanser får behållas nära enheten, dess delar eller tillbehör;
- Säker körning är din primära ansvar. Aldrig använda enheten under körning, om förordningarna förbjuder detta.
- Stäng av enheten under start och landning med flygplan. Enheten kan störa navigationssystemet av flygplanet.

Regler för underhåll och drift av “eSTAR” produkten

Håll enheten torr

- Fukt och olika typer av vätskor kan skada enheten eller denna delar ohjälpligt;
- Slå inte på enheten när den är fuktig. Om enheten är redan på, stänga den av omedelbart och ta bort batteriet. Om du kan inte avstänga enheten eller ta bort batteriet, gör ingenting, torka enheten med en handduk och ta den till en servicecenter;
- Tillverkarens garanti gäller inte de här skadorna som orsakas av fukt.

Använd inte enheten i dammiga och smutsiga platser och förvara den där inte

- Damm innan enheten kan störa denna drift.

Lägg inte enheten på en sluttande yta

- Om enheten glider av och faller ner, kan den vara skadad.

Förvara inte enheten i värme eller kyla vid extrema temperaturer

- Använda enheten vid temperaturer från -20° till $+45^{\circ}$;
- I varmt väder kan enheten explodera i slutna fordon eftersom temperaturen inuti en bil kan nå $+80^{\circ}$;
- Lämna inte enheten under en lång tid i direkt solljus (till exempel på bilens panel);

Förvara inte enheten nära magnetfält

- På grund av de magnetiska fält kan enhetens drift förvärras eller kan batteriet tommas;

Placera inte apparaten nära värmeelement eller på dem, på mikrovågsugnen, matlagning utrustning eller behållare med högt tryck

- Enheten kan överhettas, orsaka brand eller explodera.

Inte släppa eller slå enheten,

- annars kan enhetens skärm skadas;
- Vid böjning och deformation kan enheten eller drift av denna delar vara skadad.

Låt inte din enhet röra andra metallföremål (mynt, nycklar, band)

- Enheten eller denna skärm kan repas.

Skydda dina ögon från de skadliga effekterna av ljus blinkar

- Rummet där enheten används måste vara åtminstone minimalt lit. Hålla inte skärmen för nära ögonen.
- Om du tittar på filmer eller spelar TV-spel för länge, kan det starka ljuset försvaga din syn tillfälligt. Om du känner de obehagliga symptom stänga av enheten omedelbart.

Minska risken för skada till följd av repetitiva rörelser

- Om du utför samma rörelse kontinuerligt (trycker på samma knappar, skriver, spelar) kan du få en obehaglig känsla i händerna, nacken, axlarna eller andra delar av kroppen. Vid lång användning av enheten, avslipa handen och gör regelbundna pauser. Om du fortfarande känner obehagliga symptom vid användning av enheten använda den inte längre och kontakta din läkare.

Säkerställa maximal livslängd av batteriet och laddaren

- Ladda inte batteriet längre än en vecka eftersom överladdning kan förkorta perioden av användning.
- Oanvända batterier släpps över tiden och bör laddas igen innan användning.

- Oanvända laddare måste kopplas av från elförsörjningen.

Skydda din hörsel när du använder hörlurar

- Högt ljud kan orsaka hörselskada;
- Högt ljud under körning kan avleda uppmärksamhet och leda till en olycka.
- Alltid minska volymen innan du ansluter hörlurar till ljudkällan. Ange den lägsta ljudnivån som behövs för konversation eller lyssning på musik;
- I ett torrt rum kan statisk elektricitet dyka i hörlurar. Undvik att använda hörlurar i ett torrt rum. Om du gör detta, knacka på hörlurar med en metall för att urladda statisk elektricitet innan du ansluter hörlurar till din enhet.

Vid användning av enheten medan du promenader eller kör, vidta försiktighetsåtgärder

- För att undvika skada sig själv eller de andra, måste du alltid vara medveten om vad som pågår.

Inte plocka isär, ändra eller reparera enheten själv

- Efter ändringar eller modifieringar (inklusive obehöriga ändringar av programvara), förlorar du den tillverkarens garanti. Ta den felaktiga "eSTAR" enheten till din närmaste auktoriserade "eSTAR" servicecenter;
- Måla inte enheten och fastna inte klistermärken på den.

Instruktioner för rengöring av enheten:

- Rengör enheten och laddaren med torr handduk/svamp eller speciella medel.
- Använd inte kemikalier eller desinfektionsmedel.

Använd inte apparaten om skärmen är trasig eller skadad

- Glaskross kan orsaka skador på dina händer eller ansikte. Ta apparaten till "eSTAR" servicecenter för att reparera den.

Använd endast enheten för avsett ändamål

När du använder enheten på en offentlig plats försök att inte störa de andra

Var försiktig med SIM-kortet och minneskortet

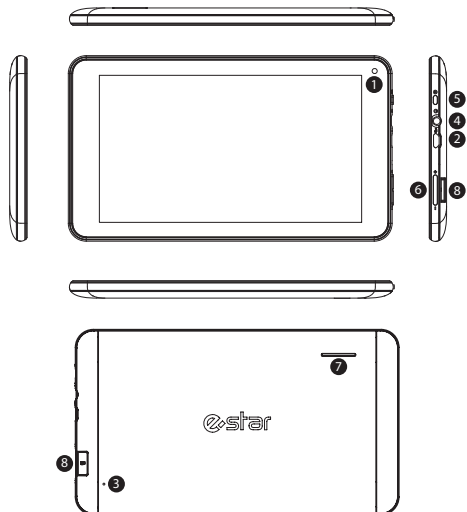
- Ta inte bort kortet när enheten skickar eller tar emot information, eftersom du kan förlora data och/eller skada kortet eller enheten.
- Skydda ditt kort mot slog, statisk elektricitet och elektriska störningar från andra enheter.
- Vidrör inte guld kontaktarna eller terminaler med fingrarna eller metallföremål. Om kortet blir smutsig torka det med en mjuk trasa.

Skydda dina personliga data och annan viktig information

- Om du använder apparaten glöm inte att göra en säkerhetskopia av viktiga data. "eSTAR" ansvarar inte för förlorade data.
- Om du överlämnar enheten för reparation till ett auktoriserad "eSTAR" servicecenter göra kopior av viktiga data och ta bort viktig information från enheten, om det är möjligt. "eSTAR" ansvarar inte för förlorade data.
- Innan du använder Factory Reset (Fabriksåterställning) göra säkerhetskopior av viktiga data.
- När du beslutar att avyttra enheten, se till att det finns ingen personlig eller viktig för dig information kvar på enheten;
- Om enheten är förlorade eller stulen glöm inte att ändra dina lösenord för att skydda din personliga information.

Komma igång

De viktigaste komponenterna av enheten



	Funktion/förklaring
1.	Främre kamera/videokamera
2.	USB-port (USB-uttag)
3.	Reset
4.	Hörlursuttag
5.	På/av knappen (Power knappen)
6.	Ljudjustering knappen (VOL+/ VOL- knappen)
7.	Dynamiker
8.	Kortplats för Micro SD (HC)

Laddning


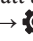

- Innan du först använder enheten, ladda batteriet helt;
- Använd endast de här "eSTAR" laddaren som är rätta för din enhet. Andra laddare kan orsaka ohjälpliga skador på enheten.

Sätta på/stänga av

- Om du vill sätta på enheten, tryck på/av knappen (Power knappen). Om enheten inte aktiveras, säkerställa att den är laddad;
- När du sätter på enheten för första gången, installera programvaran genom att följa anvisningarna på skärmen. För att använda program som interagerar med "Google™", måste du skaffa ett Google konto (Google Account) eller logga in på ditt Google konto.
- Om du vill stänga av enheten, tryck på på/av knappen (Power knappen).

Obs: För att återställa programvaran till fabriksinställningarna (t.ex., om programmet har fastnat), tryck på på/av-knappen (Power knappen) och håll den tills enheten startar om.

Internet-anslutning

- För att ansluta enheten till Internet, använd WiFi (WLAN):
 →  Inställningar (Settings) →  WLAN-ON. När du ansluter till WiFi (WLAN), kan du behöva ange lösenordet;
- Om enheten har möjlighet att använda mobildata (2G/3G/4G), kan denna funktion aktiveras på så sätt: Inställningar (Settings)-Mobil data (Mobile data)-ON. För vidare instruktioner om konfiguration, vänligen kontakta din mobiloperatör. Uppmärksamhet! För anslutning och uppladdning av data kan din mobiloperatör ta ytterligare avgifter. För mer detaljerad information om taxorna var snäll och kontakta din mobiloperatör.

* Google, Google Play are trademarks of Google Inc.

„eSTAR” viedierīces
Modelis Nr.
eSTAR BEAUTY 2 HD Quad Core



e-star

www.estar.eu

Pateiciamies Jums par viedierīces „eSTAR” iegādāšanos. Pirms tās izmantošanas sākuma, iesakām izlasīt šo īso lietotāja instrukciju. Detalizēta instrukcija ir atrodamā vietnē www.estar.eu.

Šīs lietotāja īsās instrukcijas saturs var atšķirties no Jūsu iegādātā „eSTAR” modeļa ar programmatūru un tehnisko nodrošinājumu;

- Informācija, kas dota īsā lietotāja instrukcijā var tikt izmainīta bez iepriekšēja paziņojuma. Pēdējā versija ir pieejama vietnē www.estar.eu.
- „eSTAR” produktu komplektācija un/vai pārdodamie aksesuāri var atšķirties, atkarībā no valsts/reģiona.
- „eSTAR” produktu komplektācija ir paredzēta tieši tam modelim un var būt nesavietojama ar citiem „eSTAR” produktiem.
- „eSTAR” neuzņemas atbildību par ierīces bojājumiem, kas izsaukti nesavietojamu aksesuāru izmantošanas dēļ (uzlādes ierīces, austiņas utt.).
- Papildus aksesuārus, kas savietojami ar „eSTAR” produktiem var iegādāties pie „eSTAR” reģionālā pārstāvja.
- „eSTAR” neuzņemas atbildību par iztrūkstošo informāciju un defektiem, kas radušies nekorektas programmatūras un tehniskā nodrošinājuma izmantošanas, vai citu nelaimes gadījumu rezultātā.

Drošības pasākumi

Ierīces drošai izmantošanai, lai izvairītos no traumām un bojājumiem, izlasiet šo informāciju:

- Austiņu izmantošana pie liela skaļuma līmeņa var novest pie dzirdes traucējumiem. Lūdzu, noregulējiet skaņu tā, lai tā nekaitētu jūsu dzirdei.
- Brīdinājums, izvairieties no elektriskās strāvas trieciena, aizdegšanās un sprādziena.
- Nepieskarieties „eSTAR” ierīcei un tās daļām ar mitrām rokām, neizmantojiet ierīci uzlādes laikā.
- Nevelciet aiz uzlādes ierīces vada.
- Nelokiet un citādā veidā nebojājiet elektrības vadu.
- Neuzlādējiet ierīci ar bojātu vai sabojātu uzlādes ierīci.
- Nemetiet un nedauziet uzlādes ierīci vai pašu ierīci.
- Neizmantojiet ierīci zibens laikā – tas var ietekmēt ierīces darbu un paaugstināt elektriskās strāvas trieciena risku.
- Nekādā gadījumā neizjauciet ierīci patstāvīgi.
- Tirot planšetes vai viedtālruņa ekrānu, neizmantojiet līdzekļus, kas satur alkoholu, šķīdinātāju vai benzolu, tas var neatgriezeniski sabojāt ierīces ekrānu.
- Vairums „eSTAR” produkti nav izturīgi pret mitruma un ūdens iedarbību, izmantojot „eSTAR” produktus tādos apstākļos, ierīce var tikt nelabojami sabojāta.
- Nespiediet uz planšetes vai viedtālruņa ekrāna pārāk stipri – tas var novest pie tās bojājuma.
- Neizmantojiet ierīces automobiļa vadīšanas laikā – tas var novest pie ceļa satiksmes negadījuma.

Sargājiet apkārtējo vidi. Parūpējieties par pienācīgu „eSTAR” produkta utilizāciju

- Utilizējot ierīci, nepieciešams vadīties pēc vietējiem noteikumiem un prasībām.
- Izmantojiet „eSTAR” akceptētos akumulatorus un uzlādes ierīces, kas izstrādātas speciāli Jūsu ierīcei. Izmantojot nesavietojamas uzlādes ierīces, jūs varat stipri sabojāt ierīci.
- Nenovietojiet ierīci uz sildierīcēm, piemēram, uz mikroviļņu krāsns, plīts vai radiatora. No pārmērīgas uzkaršanas akumulatori var uzsprāgt.
- Nesaspiediet un neaizsediet ierīci. Parūpējieties, lai ierīce neatrastos zem ārējās puses spiediena – tas var novest pie iekšējā īssavienojuma vai ierīces pārkaršanas.



Šis simbols uz ierīces, aksesuāriem vai dokumentācijā norāda uz to, ka neizmantojamās ierīces vai tās elektroniskos aksesuārus (piemēram, uzlādes ierīce, austiņas, USB-kabelis u.c.) nedrīkst utilizēt kopā ar citiem sadzīves atkritumiem. LIETOTĀJ, saudzē sevi un apkārtējo vidi, izmanto iespēju dot savu ieguldījumu dabas saglabāšanā nākamām paaudzēm, šķiro atkritumus un nodod tos pārstrādei.

- Privātpersonām informācijas saņemšanai, kur un kā nogādāt tādus elektroniskos atkritumus drošai pārstrādei ir jāvērtē pie ierīces pārdevēja (veikals, interneta veikals u.c.) vai vietējās pārvaldes institūcijās.
- Juridiskām personām informācijas saņemšanai, kur un kā nogādāt tādus elektroniskos atkritumus drošai pārstrādei ir jāvērtē pie šīs ierīces piegādātāja vai, ja noslēgts līgums ar elektronisko atkritumu utilizācijas uzņēmumu, nodot to utilizācijai tieši.



Marķējums CE (angļu „CE Marking”) uz produkta (vai uz tā iepakojuma) norāda uz to, ka šis produkts atbilst Eiropas Savienības prasībām par drošību, veselību un apkārtējās vides aizsardzību.



Zīme RoHS norāda uz to, ka detaļas izgatavotas no pārstrādātās izejvielas.

Svarīga informācija

- Akumulators tiks pilnībā uzlādēts, kad jūs to izlādēsiet un uzlādēsiet 2–3 reizes.
- Ekstremālās temperatūras (karstums/aukstums) var deformēt Jūsu ierīci un samazināt akumulatora uzlādi, tas var ietekmēt ierīces saīsināto kalpošanas laiku.

Ierīces izmantošana ierobežotās vietās un telpās

Brīdinājums: izmantojot ierīci ierobežotās vietās, ievērojiet visus drošības tehnikas noteikumus.

- Vienmēr izslēdziet ierīci tur, kur aizliegts to izmantot.
- Neizmantojiet ierīci citu elektronisko ierīču tuvumā.
- Elektronisko ierīču lielākā daļa izmanto radiofrekvences signālus. Jūsu ierīce var traucēt citām elektroniskām ierīcēm.
- Netuviniet ierīci kardiostimulatoram. Pēc iespējas, centieties neizmantot to tuvāk par 15 cm no kardiostimulatora, jo ierīce var traucēt kardiostimulatora darbam. Lai no tā izvairītos, ierīci turiet pretējā pusē kardiostimulatoram.
- Neizmantojiet ierīci slimnīcā vai blakus medicīnas iekārtām, kurām var traucēt radiofrekvences.
- Ja izmantojat kaut kādu medicīnisko iekārtu, sazinieties ar iekārtas ražotāju un pārliecinieties, ka Jūsu ierīces radiofrekvences netraucē darbam.
- Izslēdziet ierīci potenciāli sprādzienbīstamu vietu tuvumā.
- Vienmēr sekojiet norādījumiem, instrukcijām un zīmēm potenciālās sprādzienbīstamās vietās.
- Neizmantojiet ierīci, degvielas uzpildes laikā (DUS) vai degošu, ķīmisko vielu tuvumā.
- Vietās, kurās atrodas ierīce, tās daļas vai aksesuāri, aizliegts uzglabāt jebkādu degošu šķidrumus, gāzi vai sprādzienbīstamas vielas.
- Droša vadīšana ir Jūsu galvenais pienākums. Nekad neizmantojiet ierīci automobiļa vadīšanas laikā, tas ir aizliegts noteikumos.
- Izslēdziet ierīci lidmašīnas pacelšanās un nolaišanās laikā. Ierīce var traucēt lidmašīnas navigācijas sistēmas darbam.

Produkta „eSTAR” pienācīga apkalpošana un ekspluatācija

Saglabājiet ierīci sausu

- Mitrums un dažādi šķidrums veidi var neatgriezeniski sabojāt ierīces daļas vai pašu produktu.
- Neieslēdziet ierīci, ja tā ir mitra. Ja ierīce jau ir ieslēgta, nekavējoties to izslēdziet un izņemiet akumulatoru. Ja ierīce neizslēdzas vai ja Jūs nevarat izņemt akumulatoru, neko nedarīet, vienkārši izslaukiet ierīci ar dvieli un aiznesiet uz servisa centru.
- Uz bojājumiem, ko izsaucis mitrums, ražotāja garantija neattiecas.

Neizmantojiet un neuzglabājiet ierīci puteklainās un piesārņotās vietās

- Putekļi, kas iekļuvuši ierīcē var traucēt tās darbam.

Neuzglabājiet ierīci uz slīpām virsmām

- Ja ierīce noslīdēs un nokritīs, tā var sabojāties.

Neuzglabājiet ierīci karstās vai aukstās vietās

- Ierīci izmantojiet pie temperatūras -20 $+45$ °C.
- Karstā laikā, atstātā ierīce slēgtā transportlīdzeklī var uzsprāgt, jo temperatūra automobiļa iekšpusē var sasniegt $+80$ C.
- Neatstājiet ierīci uz ilgstošu laiku zem tiešiem saules stariem (piemēram, uz automobiļa paneļa);

Neuzglabājiet ierīci magnētisko lauku tuvumā

- Magnētisko lauku iedarbībā, ierīce var sākt slikti darboties vai var izlādēties akumulators;

Neievietojiet ierīci blakus sildītājiem vai uz tiem, kā arī uz mikroviļņu krāsns, pārtikas pagatavošanas iekārtām vai uz konteineriem ar augstu spiedienu

- Ierīce var pārkārst, izsaucot aizdegšanos vai uzsprāgt.

Nepieļaujiet nokrišanu un sitienus pa ierīci

- Var sasist ierīces ekrānu.
- Pie ielocīšanās un deformēšanās, ierīce var tikt sabojāta, vai tās daļas var sākt darboties ar defektiem.

Nepieļaujiet, lai Jūsu ierīce skartos pie citiem metāla priekšmetiem: monētām, atslēgām, ķēdītēm

- Ierīce vai tās ekrāns var tikt saskrāpēts.

Sargājiet acis no gaismas uzplaisnījumu kaitīgās iedarbības

- Telpai, kurā tiek izmantota ierīce, ir jābūt kaut minimāli apgaismotai, netuviniet ekrānu pārāk tuvu acīm.
- Ilga filmas skatīšanās vai videospēle, spilgtā apgaismojuma dēļ var pagaidu pasliktināt redzi. Izjutot nepatīkamus simptomus, uzreiz izslēdziet ierīci.

Samaziniet traumas iegūšanas risku no atkārtotām kustībām

- Pastāvīgi izpildot vienas un tās pašas kustības: nospiežot tos pašus taustiņus, ievadot tekstu, spēlējot spēles var rasties nepatīkama sajūta rokās, kaklā, plecos vai citās ķermeņa daļās. Ilgstošas ierīces izmantošanas laikā, turiet to ar atslābinātu roku, nesaspringti, iesakām ievērot regulārus pārtraukumus. Ja izmantojot ierīci, tomēr sajūtat nepatīkamus simptomus, pārstājiet lietot ierīci un vērsieties pie ārsta.

Nodrošiniet maksimālo akumulatora un uzlādes ierīces kalpošanas laiku

- Neatstājiet akumulatoru lādēties ilgāk par nedēļu, jo pārmērīgā uzlādēšana var samazināt tā

kalpošanas laiku.

- Ar laiku neizmantojie akumulatori sāk izlādēties un pirms izmantošanas tos ir jāuzlādē.
- Neizmantojamās uzlādes ierīces atvienojiet no elektropadeves tīkla.

Saudzējiet dzirdi austiņu izmantošanas laikā

- Skaļš troksnis var izsaukt dzirdes traucējumus.
- Skaļš troksnis automobiļa vadīšanas laikā var novērst uzmanību un novest pie avārijas.
- Vienmēr samaziniet skaļumu, pirms pieslēdzat austiņas skaņas avotam. Uzstādiet skaņas minimālo līmeni, kas nepieciešams sarunai vai mūzikas klausīšanās.
- Ja Jūs atrodaties sausā telpā, austiņās var izveidoties statiskā elektrība. Centieties neizmantot austiņas sausā telpā vai, pirms austiņu pieslēgšanas ierīcei, pieskarieties ar tām metāla priekšmetam, lai notiktu statiskās elektrības izlāde.

Izmantojot ierīci kustības vai iešanas laikā, esiet uzmanīgi

- Lai izvairītos no traumām un nenodarītu tās citiem, vienmēr sekojiet notiekošajam.

Neizjauciet, nemodificējiet un neremontējiet ierīci paši

- Izpildot jebkuras izmaiņas vai modifikācijas (ieskaitot nesakcionētas izmaiņas ražotāja programmatūrā, zaudēsiet ražotāja garantiju). Sabojāto „eSTAR” ierīci aiznesiet uz tuvāko pilnvaroto „eSTAR” servisa centru.
- Nekrāsojiet ierīci un nelīmējiet tai virsū uzlīmes.

Norādījumi ierīces tīrīšanai:

- Tīriet ierīci un uzlādes ierīci ar sausu dvieli/sūkli vai ar speciāliem šim nolūkam līdzekļiem.
- Netīriet ar ķīmiskiem vai dezinfekcijas līdzekļiem.

Neizmantojiet ierīci, ja ekrāns ir sasists vai sabojāts

- Saplēsts stikls var ievainot jums rokas vai seju. Aiznesiet ierīci uz „eSTAR” klientu apkalpošanas centru remontam.

Izmantojiet ierīci tikai pēc nozīmes.

Izmantojot ierīci sabiedriskā vietā, centieties netraucēt citiem.

Esiet uzmanīgi ar SIM karti un atmiņas karti

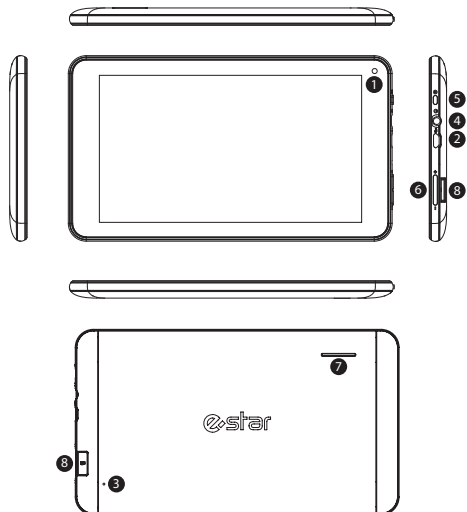
- Neizņemiet kartiņu, kad ierīce izsūta vai saņem informāciju, jo varat pazaudēt datus un (vai) sabojāt kartiņu vai ierīci.
- Sargājiet kartes no sitieniem, statiskās elektrības un citu ierīču izsauktiem elektriskiem traucējumiem.
- Nepieskarieties pie zeltītiem kontaktiem vai atmiņas kartes spailēm ar pirkstiem vai metāla priekšmetiem. Ja rodas piesārņojums, notīriet karti ar mīkstu audumu.

Aizsargājiet savus personīgos un citus svarīgus datus

- Izmantojot ierīci, neaizmirstiet izveidot svarīgo datu rezerves kopiju. „eSTAR” neuzņemas atbildību par nozaudētiem datiem.
- Nododot ierīci remontā pilnvarotā „eSTAR” servisa centrā, ja iespējams, izveidojiet svarīgo datu kopiju un izdāsiēs svarīgu Jums informāciju no ierīces. „eSTAR” neuzņemas atbildību par nozaudētiem datiem.
- Pirms ierīces programmatūras atjaunošanas rūpnīcas iestatījumiem („Factory Reset”), pārūpējieties par svarīgo datu rezerves kopijām.
- Izlemjot utilizēt savu ierīci, pārliecinieties, ka tajā nav palikusi nekāda svarīga Jums vai personīgā informācija.
- Nozogot vai nozaudējot ierīci, neaizmirstiet nomainīt savu uzskaites ierakstu paroli, lai aizsargātu personīgo informāciju.

Darba sākums

Ierīces galvenie komponenti



	Funkcija/paskaidrojums
1.	Frontālā foto/video kamera
2.	USB saspraudnis (USB Socket)
3.	Reset
4.	Saspraudnis austiņām
5.	Ieslēgšanas/izslēgšanas poga (Power button)
6.	Skaļuma regulēšanas poga (VOL+/VOL- button)
7.	Skaļruņi
8.	Līdzda Micro SD (HC) kartei

Akumulatora uzlāde




- Pirms pirmās ierīces izmantošanas, pilnībā uzlādējiet akumulatoru.
- Izmantojiet tikai „eSTAR” uzlādes ierīces, kas piemērotas tieši jūsu ierīcei. Citas uzlādes ierīces var novest pie neatgriezeniska ierīces bojājuma.

Ierīces ieslēgšana/izslēgšana

- Ierīces ieslēgšanai, nospiediet pogu Ieslēgšana/Izslēgšana (Power). Ja neieslēdzas, pārbaudiet, vai ierīce ir uzlādēta.
- Ieslēdzot ierīci pirmo reizi, uzstādiot to pēc instrukcijām uz ekrāna. Lai izmantotu pielikumus, kas mijiedarbojas ar „Google™”, nepieciešams reģistrēt jaunu vai esošo uzskaites ierakstu „Google Account”.
- Ierīces atslēgšanai, nospiediet pogu Ieslēgšana/Izslēgšana (Power).

Piezīme: Programmatūras iestatījumu atjaunošanai uz rūpnīcas, piemēram, gadījumā, ja programma iestrēgusi, nospiediet un turiet pogu Ieslēgšana/Izslēgšana (Power), kamēr ierīce pārlādēsies.

Ierīces pieslēgšana Internetam

- Ierīces pieslēgšanai pie Interneta, pielietojiet funkciju WiFi (WLAN):
 →  Settings →  WLAN-ON. Pieslēdzoties attiecīgai WiFi (WLAN) piekļuvei, iespējams būs vajadzīgs ievadīt paroli.
- Ja ierīcei dota iespēja izmantot mobilos datus (2G/3G/4G), šo funkciju iespējams ieslēgt šādi: Settings–Mobile data–ON. Turpmākām iestatījumu instrukcijām, lūdzu, vērsieties pie mobilo sakaru operatora. Uzmanību! Par pieslēgumu un datu lejupielādi, var tikt iekasēta maksa. Detalizētāku informāciju par tarifiem sniegs Jums mobilo sakaru operators.

* Google, Google Play ir Google Inc. preču zīmes.

„eSTAR“ Smartphone

Modèle Nr.:

eSTAR BEAUTY 2 HD Quad Core



e-star

Merci d'avoir acheté le Smartphone „eSTAR“. Avant de commencer à l'utiliser, assurez-vous de lire ce guide de démarrage rapide. Le mode d'emploi plus détaillé vous trouverez sur le site www.estar.eu. Le contenu du guide de démarrage rapide peut différer de votre modèle „eSTAR“ acheté par le logiciel et le matériel;

- Les informations fournies dans le guide de démarrage rapide peuvent être changées sans préavis préalable. La dernière version est disponible sur le site www.estar.eu;
- L'équipement des produits et / ou les accessoires vendus „eSTAR“ peuvent varier selon le pays / la région;
- L'équipement des produits „eSTAR“ est spécialement destiné pour le modèle concret et peut ne pas être compatibles avec d'autres produits „eSTAR“;
- „eSTAR“ n'assume aucune responsabilité en cas de la défaillance du produit causée par l'utilisation des accessoires incompatibles (chargeur, écouteurs, ou autre);
- Les accessoires en option compatibles avec les produits „eSTAR“, peuvent être achetés chez le représentant régional „eSTAR“;
- „eSTAR“ n'est pas responsable de l'information manquante et les défaillances dues à une mauvaise utilisation du matériel, des logiciels, ou d'autres accidents.

Précautions de sécurité

Pour l'utilisation sécuritaire de l'appareil afin d'éviter les blessures et les dysfonctionnements, lisez l'information donnée:

- L'utilisation des écouteurs à un volume élevé peut provoquer le trouble de l'audition. S'il vous plaît, réglez le son afin qu'il n'endommage pas votre audition;
- Attention: évitez la décharge électrique, l'incendie et l'explosion;
- Ne pas toucher l'appareil „eSTAR“ ainsi que ses parties avec les mains mouillées, ne pas utiliser l'appareil pendant qu'il est en charge;
- Ne tirez pas par le chargeur;
- Ne pas plier ou troubler le fil d'alimentation;
- Ne pas charger l'appareil par le chargeur défectueux ou endommagé;
- Ne pas laisser tomber le chargeur ou l'appareil lui-même.
- Ne pas utiliser l'appareil pendant l'orage - cela peut influencer sur le fonctionnement de l'appareil et augmenter le risque de la décharge électrique;
- Ne démontez jamais l'appareil vous-même;
- Pendant le nettoyage de l'écran de la tablette ou d'un Smartphone, ne pas utiliser les produits contenant de l'alcool, du benzène ou du diluant, cela peut endommager définitivement l'écran de l'appareil;
- La plupart des produits „eSTAR“ ne résistent pas à l'humidité et à l'eau en utilisant des produits „eSTAR“ dans de telles conditions, le dispositif peut être irrémédiablement endommagé;
- N'appuyez pas trop fort sur l'écran de la tablette ou du Smartphone – cela peut causer la défaillance;
- Ne pas utiliser pendant la conduite – ce qui pourrait mener à un accident.

Protéger l'environnement. Prenez soin de la récupération appropriée du produit „eSTAR“

- Pendant la récupération de l'appareil, guidez-vous par les réglementations et les exigences locales.
- Utilisez des piles prouvées „eSTAR“ et des chargeurs spécifiquement conçus pour votre appareil. En utilisant les chargeurs incompatibles, vous pouvez gravement endommager ou détraquer votre appareil.
- Ne pas placer l'appareil sur les chauffeurs, comme, par exemple, un four à micro-ondes, une cuisinière ou un radiateur. À cause de la chaleur excessive les accumulateurs peuvent exploser.
- Ne pas écraser ou perforer le dispositif. Assurez-vous que l'appareil ne sera pas sous la pression de l'extérieur – cela peut entraîner un court-circuit interne ou une surchauffe de l'appareil.



Ce symbole sur l'appareil ou sur ses accessoires ou dans la documentation indique que l'appareil ou ses accessoires électroniques qui ne sont pas utilisés (par exemple: chargeur, écouteurs, câble USB etc.) ne peuvent pas être recyclés avec les autres déchets ménagers. L'UTILISATEUR, prends soin de soi et de l'environnement, profite de l'occasion de contribuer à la protection de la nature pour les futures générations, trie les déchets et

envoie-les au recyclage.

- Les personnes privées doivent s'adresser aux vendeurs des dispositifs (magasins, magasins en ligne ou autres) ou aux gouvernements locaux pour les informations où et comment amener ces déchets électroniques pour le recyclage;
- Les personnes civiles doivent s'adresser au fournisseur de l'équipement pour les informations où et comment amener ces déchets électroniques pour un recyclage sécuritaire ou, s'ils ont conclu un accord avec l'Organisation pour la récupération des déchets électroniques, les leur amener directement pour le recyclage.



Le Marquage CE (eng. "CE Marking") sur le produit (ou sur son emballage) indique que ce produit répond aux exigences de l'Union européenne à la sécurité, la santé et la propreté environnementale.



L'icône RoHS indique que les articles sont fabriqués à partir de matériaux recyclés.

Une information importante

- La batterie sera complètement infectée, lorsque vous la chargerez et la déchargerez 2 ou 3 fois.
- Les températures extrêmes (chaleur / froid) peuvent fausser votre appareil et de réduire la durée de vie de la batterie, cela peut affecter la durée de vie plus courte de l'appareil.

L'utilisation du produit dans des lieux et des espaces limités

Attention: Lorsque vous utilisez l'appareil dans des zones restreintes, observez toutes les consignes de sécurité.

- Éteignez toujours le dispositif où il est interdit de l'utiliser;
- Ne pas utiliser l'appareil près d'autres appareils électroniques;
- La plupart des appareils électroniques utilisent des signaux de radiofréquence. Votre appareil peut interférer avec d'autres appareils électroniques.
- Ne tenez pas l'appareil près de votre stimulateur cardiaque. Si cela est possible, essayez de ne pas l'utiliser à moins de 15 cm du stimulateur cardiaque, parce que l'appareil peut perturber le stimulateur cardiaque. Pour éviter cela, maintenir le dispositif sur le côté opposé du stimulateur cardiaque.
- Ne pas utiliser l'appareil dans un hôpital ou à proximité du matériel médical qui peut interférer avec les fréquences radio;
- Si vous utilisez un équipement médical, contactez le fabricant de l'équipement et assurez-vous que les fréquences radio de votre appareil n'interfèrent pas son fonctionnement;
- Éteignez l'appareil à proximité des lieux potentiellement explosifs;
- Suivez toujours les précautions, les instructions et la signalétique dans les zones potentiellement explosives;
- Ne pas utiliser l'appareil pendant le ravitaillement (à la station de gaz) ou à proximité de carburants, de produits chimiques;
- Les liquides inflammables, le gaz ou des substances explosives ne doivent pas stocker dans un endroit où se trouve votre appareil, ses pièces ou ses accessoires;
- La conduite sécuritaire est votre première responsabilité. N'utilisez jamais l'appareil pendant que vous conduisez, si cela est interdit par les règles;
- Éteignez l'appareil pendant le décollage et à l'atterrissage de l'avion. Le dispositif peut interférer le fonctionnement du système de navigation de l'avion.

Gardez l'appareil au sec

- L'humidité et les divers types de liquides peuvent endommager les articles du dispositif ou l'appareil lui-même;
- Ne pas éteindre le dispositif s'il est mouillé. Si l'appareil est déjà allumé, éteignez-le immédiatement et retirez la batterie. Si l'appareil ne s'éteint pas ou vous ne pouvez pas retirer la batterie, ne faites rien, juste essuyez le dispositif avec une serviette et portez-le dans le centre de service;
- La garantie du fabricant ne s'applique pas aux défaillances causées par l'humidité.

Ne pas utiliser ou stocker l'appareil dans un endroit poussiéreux ou sale

- La poussière entrant dans le dispositif peut dérégler son fonctionnement correct.

Ne rangez pas l'appareil sur une surface oblique

- Si le dispositif se laissera glisser et tombera, il pourrait être endommagé.

Ne tenez pas l'appareil dans des endroits chauds ou froids

- Le dispositif s'utilise à une température de +20°C à +45°C;
- Par le temps chaud, le dispositif laissé dans un véhicule fermé pourrait exploser, parce que la température à l'intérieur d'une voiture peut atteindre +80°C;
- Ne laissez pas l'appareil pendant une longue période sous les rayons directs du soleil (par exemple sur le panneau de la voiture);

Ne gardez pas votre appareil à proximité de champs magnétiques

- À causes des effets des champs magnétiques, le dispositif peut commencer à travailler mal ou la batterie peut vider;

Ne pas placer l'appareil près des radiateurs ou sur eux, ainsi que sur le four à micro-ondes, sur le matériel de cuisine, ou sur les conteneurs à haute pression

- Le dispositif peut surchauffer, provoquer un incendie ou une explosion.

Évitez de faire tomber ou de frapper le dispositif

- Vous pouvez casser l'écran de l'appareil;
- Ne pas plier et déformer l'appareil ce qui peut endommager le dispositif ou ses parties peuvent commencer à travailler défectueusement.

Ne laissez pas votre appareil concerné d'autres objets métalliques: les pièces de monnaie, les clés, les chaînes

- Le dispositif ou l'écran peuvent être rayés.

Protégez vos yeux contre les effets nocifs de la lumière clignote

- La pièce dans laquelle vous utilisez l'appareil devrait être au moins minimalement éclairée, ne vous approchez pas l'écran trop près des yeux.
- La longue projection des films ou le jeu aux jeux vidéo, en raison de la lumière intense peut temporairement nuire à la vision. Éteignez immédiatement l'appareil en sentant les symptômes inconfortables.

Réduire le risque de blessures causées par les mouvements répétitifs

- En effectuant constamment les mêmes mouvements: en appuyant sur la même touche, en introduisant le texte, en jouant aux jeux, vous pouvez recevoir une sensation désagréable dans les bras, le cou, les épaules, ou d'autres parties du corps. Pendant la longue utilisation de l'appareil, gardez la main détendue, sans intensité, nous vous recommandons de faire des pauses régulières. Si l'en utilisant l'appareil vous ressentez les symptômes désagréables, cessez d'utiliser le dispositif et consultez le médecin.

Assurez une performance maximale de la batterie et du chargeur de batterie

- Ne laissez pas la charge de la batterie plus d'une semaine, comme la surcharge risque de réduire son utilisation.
- Avec le temps, les batteries inutilisées se déchargent et avant l'utilisation elles doivent être rechargées.
- Les chargeurs qui ne sont pas utilisés doivent être débranchés.

Protégez votre audition en utilisant les écouteurs

- Le bruit fort peut entraîner une perte auditive;
- Le fort bruit pendant la conduite peut détourner l'attention et causer un accident;
- Baissez toujours le volume avant de brancher les écouteurs à la source sonore. Réglez le niveau minimal du son requis pour l'appel ou l'écoute de la musique;
- Si vous êtes dans un environnement sec, l'électricité statique peut se former dans les écouteurs. Évitez d'utiliser des écouteurs dans un endroit sec ou avant de brancher les écouteurs au dispositif, touchez-les à un objet métallique pour provoquer l'exutoire de l'électricité statique.

En utilisant le dispositif pendant la marche ou le mouvement, prenez des précautions

- Pour éviter les blessures et de ne pas les faire causer aux autres, surveillez toujours ce qui se passe.

Ne démontez pas, ne modifiez pas et ne réparez pas le dispositif vous-même

- En effectuant des changements ou des modifications (y compris les modifications non autorisées dans le logiciel du fabricant), vous perdrez la garantie du fabricant. Rapportez le dispositif défectueux „eSTAR“ au centre de service autorisé de proximité, „eSTAR“;
- Ne peignez pas le dispositif et n'y collez pas les autocollants.

Les prescriptions sur le nettoyage du dispositif:

- Nettoyez l'appareil et le chargeur avec une serviette / une éponge sèche ou des outils spéciaux pour le faire.
- Ne pas nettoyer par des désinfectants ou des matériaux chimiques.

Ne pas utiliser le dispositif si l'écran est cassé ou abîmé

- Le verre brisé pourrait blesser vos mains ou le visage. Rapportez le dispositif dans le centre de service à la clientèle „eSTAR“ pour la réparation.

Utilisez le dispositif uniquement pour son utilisation prévue

En utilisant le dispositif dans un lieu public, essayez de ne pas déranger les autres

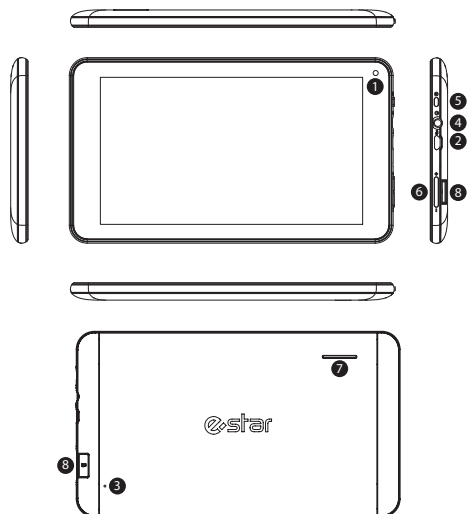
Soyez prudent avec la carte SIM et la carte mémoire

- Ne pas retirer la carte lorsque le dispositif envoie ou reçoit des informations, comme on peut perdre des données et (ou) endommager la carte ou l'appareil.
- Protégez les cartes contre les frappes, l'électricité statique, et d'autres dispositifs causés par des interférences électriques.
- Ne touchez pas les contacts dorés ou les bornes de la carte de mémoire avec vos doigts ou des objets métalliques. S'il est sale, essuyez-le avec un chiffon doux.

Protéger vos données personnelles et d'autres données importantes

- En utilisant le dispositif n'oubliez pas de faire une copie de sauvegarde des données importantes. „eSTAR“ n'est pas responsable des données perdues;
- En envoyant le dispositif pour la réparation au centre de service autorisé „eSTAR“, si cela est possible, faites des copies des données importantes et supprimez les informations importantes de votre dispositif. „eSTAR“ n'est pas responsable des données perdues;
- Avant de restaurer le logiciel du dispositif aux réglages d'usine (“Factory Reset”) prenez soin de sauvegarder des données importantes;
- En décidant de disposer de votre appareil, assurez-vous qu'il n'avait aucune importance pour vous, ou des informations personnelles;
- En cas de vol ou de perte de l'appareil, n'oubliez pas de changer leurs mots de passe pour protéger les informations personnelles.

Les composants essentiels du dispositif



	La fonction/la précision
1.	La caméra photographique frontale / la caméra-vidéo frontale (la caméra numérique frontale)
2.	L'assemblage USB
3.	Reset
4.	Le port (le connecteur) pour les écouteurs
5.	Le poussoir de branchement et de débranchement
6.	Le bouton du réglage de volume (Le bouton du réglage d'intensité sonore)
7.	Les enceintes acoustiques
8.	L'emplacement pour la carte Micro SD(HC)

Le charge de la batterie

- Avant d'utiliser l'appareil pour la première fois, chargez complètement la batterie;
- Utilisez uniquement des chargeurs „eSTAR“, qui sont appropriés pour votre appareil particulier. Les autres chargeurs peuvent causer des endommagements permanents du dispositif.

Activer / désactiver le dispositif

- Pour allumer l'appareil, appuyez sur le bouton ON / OFF (Alimentation). S'il n'allume pas, vérifiez si le dispositif est chargé;
- Allumez l'appareil pour la première fois, installez-le d'après les instructions sur l'écran. Pour utiliser des applications qui interagissent avec „Google™“, vous devez enregistrer un nouveau compte ou aller à un compte existant „Google Account“;
- Pour éteindre le dispositif, appuyez sur la touche ON / OFF (Alimentation)..

Remarque: Pour restaurer les paramètres du logiciel à l'usine, par exemple, si le programme est bloqué, appuyez et maintenez le bouton ON / OFF (Alimentation) jusqu'à ce que l'appareil redémarre.

La connexion de votre appareil à l'Internet

- Pour connecter votre dispositif à l'Internet, utilisez la fonction WiFi (WLAN):
 ☰ → ⚙ Settings → 📶 WLAN-ON. En se connectant à un réseau correspondant WiFi (WLAN), peut-être, il faudra introduire le mot de passe;
- Si le dispositif est capable d'utiliser la cellule des données (2G/3G/4G), vous pouvez démarrer cette fonction de la façon suivante: Settings-Mobile data-ON. Pour plus d'instructions sur la mise en place, contactez, s'il vous plaît, votre fournisseur de services. Attention! Pour la connectivité et le chargement des données, des frais supplémentaires peuvent s'appliquer. Pour plus d'informations sur les prix adressez-vous à votre opérateur de la communication mobile.

* Google, Google Play sont des marques de Google Inc.

Smart dispositivo „eSTAR“

Modello n.:

eSTAR BEAUTY 2 HD Quad Core



e-star

www.estar.eu

Grazie per aver acquistato il dispositivo smart „eSTAR“. Prima dell'uso si consiglia di leggere attentamente il manuale dell'utente. Il manuale dettagliato si trova sul sito www.estar.eu.

Il contenuto del manuale dell'utente può essere diverso dallo software e hardware del modello „eSTAR“ acquistato;

- L'informazione nel manuale dell'utente può essere modificata senza preavviso. L'ultima versione è disponibile sul sito www.estar.eu;
- Il kit prodotti e/o accessori „eSTAR“ in vendita può essere diverso a seconda della zona/paese;
- Il kit prodotti „eSTAR“ è destinato per il modello specifico e può essere incompatibile con altri prodotti „eSTAR“;
- „eSTAR“ non è responsabile per guasti del dispositivo causati dall'uso di accessori incompatibili (caricabatterie, cuffie, ecc.);
- Altri accessori compatibili con prodotti „eSTAR“ si possono acquistare dal rappresentante regionale di „eSTAR“;
- „eSTAR“ non è responsabile per l'informazione insufficiente e guasti causati dall'uso incorretto dello software e hardware o da altri incidenti.

Prescrizioni di sicurezza

Per l'uso sicuro del dispositivo, onde evitare danni e guasti, leggere attentamente l'informazione seguente:

- L'utilizzo delle cuffie a un volume alto può causare problemi dell'udito. Pertanto si prega di regolare il volume audio in maniera da non danneggiare l'udito;
- Attenzione a non provocare scosse elettriche, incendi ed esplosioni;
- Non toccare il dispositivo „eSTAR“ e le parti di esso con mani umide, non usare il dispositivo durante il caricamento;
- Non scollegare il caricabatteria tirando il cavo;
- Non piegare o danneggiare in un'altra maniera il cavo di alimentazione;
- Non caricare il dispositivo usando il caricabatteria guasto o danneggiato;
- Non lasciar cadere e non sbattere il caricabatteria o il dispositivo.
- Non usare il dispositivo durante temporali – ciò può causare il peggioramento delle prestazioni del dispositivo e aumentare il rischio di scosse elettriche;
- Non smontare il dispositivo da soli in nessun caso;
- Non usare alcool, solventi o benzine per pulire lo schermo del tablet o dello smartphone, ciò può danneggiare irrimediabilmente lo schermo del dispositivo;
- La maggior parte dei prodotti „eSTAR“ non sono resistenti all'umidità e all'acqua, in caso dell'uso dei prodotti „eSTAR“ in tali condizioni il dispositivo può essere irrimediabilmente danneggiato;
- Non premere troppo forte sullo schermo del tablet o dello smartphone– ciò può causare il suo guasto;
- Non usare il dispositivo mentre si guida – ciò può risultare in un incidente stradale.

Proteggi l'ambiente. Provedi al riciclaggio corretto del prodotto „eSTAR“

- Per il riciclaggio del dispositivo attenersi ai regolamenti e richieste locali.
- Usare batterie e caricabatterie approvate da „eSTAR“ e disegnate appositamente per il tuo dispositivo. L'uso di un caricabatterie incompatibile può compromettere seriamente il funzionamento del dispositivo o danneggiare il dispositivo.
- Non collocare il dispositivo sopra apparecchi di riscaldamento, come forni a microonde, stufe o caloriferi. Batterie surriscaldate possono esplodere.
- Non comprimere e non forare il dispositivo. Assicurarsi che il dispositivo non è soggetto a pressione esterna onde evitare corti circuiti all'interno del dispositivo o il surriscaldamento del dispositivo.



Questo simbolo sul dispositivo, i suoi accessori o nel libretto dell'utente significa che il dispositivo smesso o i suoi accessori elettronici (per esempio, caricabatterie, cuffie, cavo USB ecc.) devono essere raccolti separatamente dai rifiuti domestici. CARO UTENTE – Proteggi te stesso e l'ambiente, usa l'opportunità di contribuire a salvare la natura per le generazioni future, fa' la raccolta separata dei rifiuti e passali per il riciclaggio.

- Per ottenere l'informazione dove e come consegnare tali rifiuti elettronici per il riciclaggio sicuro, i privati devono rivolgersi al venditore dei dispositivi (negozi, negozio on-line, ecc.) o alle autorità locali;
- Per ottenere l'informazione dove e come consegnare tali rifiuti elettronici per il riciclaggio sicuro, le persone giuridiche devono rivolgersi al fornitore dei dispositivi in questione o, se hanno stipulato un contratto con un'azienda di riciclaggio rifiuti elettronici, consegnarli direttamente per il riciclaggio



Il marchio CE (in inglese "CE Marking") sul prodotto (o sull'imballaggio) dimostra che il prodotto corrisponde ai requisiti di sicurezza, salute e norme ambientali della Comunità Europea.



Il marchio RoHS indica che le parti sono fatte dai materiali riciclati.

Informazioni importanti

- Per assicurare il funzionamento ottimale della batteria, lasciare che si scarichi e si ricarichi completamente 2-3 volte.
- Le temperature estreme (caldo, freddo) possono causare la deformazione del tuo dispositivo e ridurre la carica della batteria e la vita del dispositivo.

L'uso del dispositivo in aree soggette a restrizioni

Attenzione: durante l'uso del dispositivo rispettare tutte le prescrizioni di sicurezza in aree soggette a restrizioni.

- Spegner sempre il dispositivo lì dove l'uso è vietato;
- Non usare l'apparecchio in presenza di altri dispositivi elettronici;
- La maggior parte dei dispositivi elettronici usa segnali a radiofrequenza. Il tuo dispositivo può creare interferenze per altri dispositivi elettronici.
- Non mettere il dispositivo vicino allo stimolatore cardiaco. Se è possibile, cercare di tenere il dispositivo alla distanza di min. 15 cm dallo stimolatore cardiaco, perché il dispositivo può creare interferenze allo stimolatore cardiaco. Per evitarlo, tenere il dispositivo dalla parte opposta del corpo.
- Non utilizzare il dispositivo in ospedale o vicino alle apparecchiature mediche onde non creare interferenze con le radiofrequenze di essi;
- Se si usa un qualsiasi dispositivo medico, bisogna contattare il produttore del dispositivo in questione per assicurarsi che le radiofrequenze del tuo dispositivo non creino interferenze;
- Spegner il dispositivo vicino ai luoghi potenzialmente esplosivi;
- Seguire sempre le istruzioni, indicazioni e segni nei luoghi potenzialmente esplosivi;
- Non usare il dispositivo facendo benzina (al distributore di carburante) o vicino ai carburanti, prodotti chimici;
- Non tenere il dispositivo, le sue parti o accessori in un locale con liquidi infiammabili, gas o materiali esplosivi;
- Guidare sicuro è il tuo compito principale. Non usare mai il dispositivo mentre si guida, se è vietato dalla legge;
- Spegner il dispositivo durante il decollo e l'atterraggio dell'aereo. Il dispositivo può interferire con il funzionamento del sistema di navigazione dell'aereo.

Utilizzo e manutenzione adeguata del prodotto „eSTAR“

Mantenere il dispositivo asciutto

- Umidità e liquidi di qualsiasi tipo possono danneggiare irrimediabilmente parti del dispositivo o il dispositivo stesso;
- Non accendere il dispositivo se è umido. Se il dispositivo è già acceso, spegnerlo immediatamente e tirare fuori la batteria. Se non è possibile spegnere il dispositivo o non è possibile tirare fuori la batteria, non fare niente, asciugare semplicemente il dispositivo con un asciugamano e portarlo al centro assistenza.
- La garanzia del produttore decade se il guasto del dispositivo è causato dall'umidità

Non usare e non tenere il dispositivo in luoghi polverosi e sporchi

- La polvere dentro il dispositivo può causare il malfunzionamento.

Non tenere il dispositivo su una superficie inclinata

- Se il dispositivo scivola e cade, può essere danneggiato.

Non tenere il dispositivo in locali freddi o caldi

- Usare il dispositivo alla temperatura di -20 +45 °C;
- Quando fa caldo, il dispositivo lasciato in un veicolo chiuso può esplodere perchè la temperatura dentro l'automobile può raggiungere +80 °C;
- Non lasciare il dispositivo a lungo sotto la luce diretta del sole (per esempio, sul cruscotto di un'automobile);

Tenere il dispositivo distante dai campi magnetici

- Campi magnetici possono compromettere il corretto funzionamento del dispositivo o la batteria può risultare scarica;

Non mettere il dispositivo vicino a caloriferi o sopra di essi, ed anche su forni a microonde, piani di cottura o contenitori ad alta pressione

- Il dispositivo può surriscaldarsi, causare l'incendio o esplodersi.

Non lasciar cadere o colpire il dispositivo

- Lo schermo può danneggiarsi;
- Se il dispositivo sarà piegato e deformato, ciò può comprometterne il corretto funzionamento o danneggiare il dispositivo stesso o le sue parti.

Non lasciare il dispositivo in contatto con altri oggetti in metallo: monete, chiavi, catenelle

- Il dispositivo o lo schermo possono essere graffiati.

Proteggere gli occhi dagli effetti negativi dei lampi di luce

- La stanza dove viene usato il dispositivo deve essere almeno minimamente illuminata, non tenere lo schermo troppo vicino agli occhi.
- L'esposizione lunga alla luce intensa mentre si guarda un film o si gioca a un videogioco può causare un peggioramento temporaneo di vista. Se si avvertono sintomi sgradevoli, spegnere immediatamente il dispositivo.

Abbassare il rischio di traumi da movimenti ripetitivi

- Se si ripetono sempre gli stessi movimenti premendo gli stessi tasti, stampando il testo, giocando, può sorgere una sensazione sgradevole nelle mani, collo, spalle o altre parti del corpo. Durante un lungo utilizzo del dispositivo tenerlo con una mano rilassata, non tesa, si consiglia di fare pause regolari. Se durante l'uso del dispositivo si avvertono comunque sintomi sgradevoli, bisogna smettere di usare il dispositivo e rivolgersi da un medico

Agire in modo da assicurare la vita massima della batteria e del caricabatteria

- Non lasciare la batteria sotto carica per oltre una settimana perché la sovraccarica può ridurne la vita.
- Nel caso la batteria non venga usata per lunghi periodi, si scarica da sola e deve essere ricaricata prima dell'uso.
- Disconnettere il caricabatteria dalla rete di alimentazione in caso se non viene usato.

Proteggere l'udito durante l'uso delle cuffie

- Il volume troppo forte può danneggiare l'udito;
- Il volume troppo forte mentre si guida può distrarre e causare un incidente;
- Prima di connettere le cuffie alla sorgente acustica sempre ridurre il volume. Impostare il parametro di minimo volume, necessario per la conversazione o per ascoltare la musica;
- Se si è in un luogo asciutto, le cuffie possono produrre elettricità statica. Evitare di usare le cuffie in locali asciutti o, prima di collegare le cuffie al dispositivo, toccarle con un oggetto in metallo per scaricare l'elettricità statica.

Adottare le misure di sicurezza se il dispositivo viene utilizzato mentre si è in cammino o in movimento

- Per evitare traumi a se stessi e ad altri, seguire sempre quel che succede intorno.

Non smontare, non modificare o non riparare il dispositivo da soli

- In caso di modifiche o cambiamenti (incluse le modifiche non autorizzate dello software del produttore) la garanzia del produttore sarà annullata. Per riparare il dispositivo „eSTAR“ guasto rivolgersi al centro assistenza clienti “eSTAR” più vicino.
- Non dipingere o non mettere adesivi sul dispositivo

Istruzioni per pulire il dispositivo:

- Pulire il dispositivo e il caricabatteria con un asciugamano asciutto/una spugna o con mezzi specifici.
- Non pulire con prodotti chimici o disinfettanti.

Non usare il dispositivo se lo schermo è rotto o danneggiato

- Il vetro rotto può causare ferite al viso o agli occhi. Per riparare il dispositivo rivolgersi al centro assistenza clienti „eSTAR“.

Usare il dispositivo solo ai fini per i quali è destinato

Usando il dispositivo in un luogo pubblico cercare di non disturbare altri

Far attenzione maneggiando la scheda SIM e la scheda di memoria

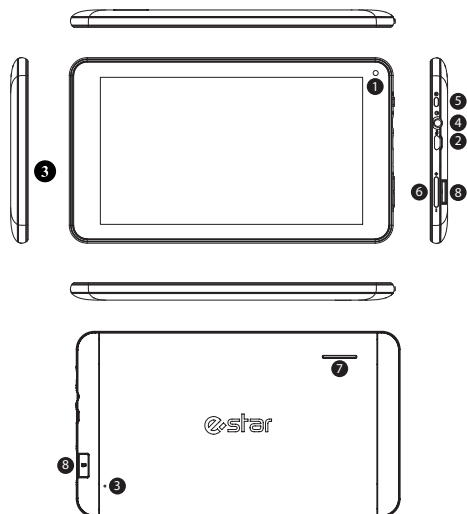
- Non tirare fuori la scheda durante il trasferimento dati dal o nel dispositivo onde evitare la perdita dei dati e (o) danni alla scheda o al dispositivo.
- Proteggere schede da urti, elettricità statica e rumori elettrici causati da altri dispositivi.
- Non toccare con le dita o con oggetti in metallo contatti dorati o clips della scheda di memoria. Se la scheda è sporca, pulirla con un panno morbido.

Proteggere i dati personali e altri dati importanti

- Usando il dispositivo, non dimenticare di effettuare una copia di backup dei dati importanti. „eSTAR“ non può essere ritenuta responsabile per eventuali perdite di dati;
- Consegnando il dispositivo da riparare in un centro assistenza autorizzato „eSTAR“, se è possibile, fare una copia dei dati importanti ed eliminare l'informazione importante per te dal dispositivo. „eSTAR“ non può essere ritenuta responsabile per eventuali perdite di dati;
- Prima di ripristinare le impostazioni di fabbrica („Factory Reset“) fare copie di backup dei dati importanti;
- Se si decide di sbarazzarsi del dispositivo, assicurarsi che non c'è rimasta dentro nessuna informazione importante per te o informazione personale;
- Se il dispositivo è stato rubato o perso, non dimenticare di cambiare i password dei propri account per proteggere l'informazione personale.

Inizio del lavoro

Componenti principali del dispositivo



	Funzione/descrizione
1.	Camera fotografica/ videocamera frontale
2.	Presca USB (USB Socket)
3.	Reset
4.	Presca cuffie
5.	Tasto di accensione/ spegnimento (Power button)
6.	Tasto di regolazione volume (VOL+/VOL- button)
7.	Altoparlanti
8.	Sede per la scheda Micro SD(HC)




Caricamento della batteria

- Caricare completamente la batteria prima di usare il dispositivo per la prima volta;
- Usare solo caricabatterie „eSTAR“ che sono disegnati appositamente per il tuo dispositivo. L'uso di un altro caricabatterie può compromettere irrimediabilmente il funzionamento del dispositivo.

Accensione/spengimento del dispositivo

- Per accendere il dispositivo premere il tasto Accensione/Spengimento (Power). Se il dispositivo non si accende, controllare la carica;
- Dopo aver acceso il dispositivo per la prima volta, fare l'installazione seguendo le istruzioni sullo schermo. Per usare gli app che interagiscono con „Google™“, bisogna creare un nuovo account o entrare nel „Google Account“ già esistente;
- Per spegnere il dispositivo, premere il tasto di Accensione/Spengimento (Power).

Collegamento del dispositivo all'Internet

- Per collegare il dispositivo all'Internet, usare la funzione WiFi (WLAN):
 →  Settings →  WLAN-ON. Per avere l'accesso alla WiFi (WLAN), può servire di inserire la password;
- Se il dispositivo ha la possibilità di usare i dati mobili (2G/3G/4G), la funzione può essere attivata come segue: Settings-Mobile data-ON. Per le ulteriori istruzioni di impostazione, si prega di rivolgersi all'operatore di comunicazione cellulare. Attenzione! La connessione e il caricamento dati possono richiedere un pagamento supplementare. Per avere l'informazione più dettagliata sulle tariffe si prega di rivolgersi al tuo operatore di comunicazione cellulare.

* Google, Google Play sono marchi di Google Inc.

Lyhyt käyttöopas

“eSTAR” älylaite

Malli Nr.:

eSTAR BEAUTY 2 HD Quad Core



e-star

www.estar.eu

Kiitämme Teitä eSTAR-älylaitteen hankkimisesta. Lue tämä lyhyt käyttöopas ennen laitteen käytön aloittamista. Yksityiskohtainen käyttöopas löytyy sivuilta www.estar.eu.

- Lyhyeen käyttöoppaan sisältö voi erota ostamanne eSTAR mallista ohjelmilla ja laitekokoonpanolla;
- Lyhyessä käyttöoppaassa olevia tietoja voidaan muuttaa ilmoittamatta. Viimeisin versio löytyy sivuilta www.estar.eu;
- eSTAR:in komponentit ja lisävarusteet voivat olla erilaisia riippuen alueesta/maasta;
- Tälle eSTAR mallille tarkoitetut komponentit voivat olla yhteensopimattomia muiden eSTAR tuotteiden kanssa;
- eSTAR ei vastaa laitteen rikkoutumisesta, joka on aiheutunut yhteensopimattomien varusteiden (latauslaitteiden, kuulokkeiden yms.) käytöstä;
- Lisävarusteita, jotka ovat yhteensopivia eSTAR tuotteiden kanssa, voidaan ostaa eSTAR:in alueelliselta edustajalta;
- eSTAR ei vastaa puuttuvasta informaatiosta eikä häiriöistä, jotka ovat aiheutuneet laitteiston tai ohjelmiston väärästä käytöstä tai muista vahingoista.

Turvallisuustoimenpiteet

Lue tämä ohje laitteen turvallista käyttöä varten sekä traumojen ja toimintahäiriöiden välttämiseksi:

- Kuulokkeiden käyttäminen kovalla äänenvoimakkuudella voi aiheuttaa kuulon vaurioitumista. Säädä äänenvoimakkuuden niin, ettei se aiheuttaisi haittaa kuulollesi;
- Huomautus: varo sähköiskua, syttymistä ja räjähdystä;
- Älä koske eSTAR laitetta tai sen osia kosteilla käsillä; älä käytä laitetta latauksen aikana;
- Älä vedä latauslaitteen johdosta;
- Älä taivuta äläkä muulla tavalla vaurioita sähköjohtoa;
- Älä lataa rikkiäistä laitetta tai rikkiäisellä laturilla;
- Älä heitä äläkä iske laturia tai älylaitetta.
- Älä käytä laitetta ukkosilman aikana koska se voi vaikuttaa laitteen toimintaan ja aiheuttaa sähköiskun riskiä;
- Älä pura laitetta missään tapauksessa itsenäisesti;
- Älä käytä alkoholipitoisia puhdistusaineita, liuottimia tai bentseenia taulutietokoneen tai älypuhelimien näytön puhdistamiseen koska se voi vaurioittaa näyttöä palautumattomasti;
- Suurin osa eSTAR tuotteista ei kestä vettä eikä kosteutta. Mikäli käytätte eSTAR laitetta näissä olosuhteissa laite voi vaurioitua palautumattomasti;
- Älä paina taulutietokoneen tai älypuhelimien näyttöä liian voimakkaasti koska se voi aiheuttaa näytön vaurioitumista;
- Älä käytä laitetta ajon aikana koska se voi johtaa liikenneonnettomuuteen.

Pidä huolta ympäristöstä. Huolehdi eSTAR tuotteen asianmukaisesta kierrätyksestä

- Noudata paikallisia normeja ja vaatimuksia laitteen kierrätyksessä.
- Käytä luotettavia eSTAR latureita ja akkuja, joita on valmistettu teidän laitettanne varten. Laitteen kanssa yhteensopimattomien latureiden käyttö voi vahingoittaa tai vaurioittaa laitetta.
- Älä pane laitetta lämmityslaitteiden päälle (esim. mikroaaltouunen, lieten tai patterin päälle). Liiallinen kuumennus voi aiheuttaa jopa akkujen räjähdystä.
- Älä purista äläkä puhkaise laitetta. Huolehdi siitä, ettei laitteeseen kohdistuisi ulkopuolista painetta koska tämä voi johtaa oikosulkuun tai laitteen ylikuumennukseen.



Tämä symboli laitteessa, sen varusteissa tai asiakirjoissa viittaa siihen, että käyttämättä olevia laitteita tai sen sähköisiä varusteita (esim. Latureita, kuulokkeita, USB-kaapeleita yms.) ei saa hävittää muiden kotitalousjätteiden mukana. LAITTEEN KÄYTTÄJÄ, pidä huolta itsestäsi ja ympäristöstä, huolehdi luonnon säilymisestä seuraaville sukupolville, lajittele ja kierrätä jätteitä.

- Yksityishenkilöiden pitää selvittää laitteen myyjältä (kauppa, internet-kauppa yms.) tai paikallisilta viranomaisilta minne ja miten voi toimittaa sähköiset jätteet turvalliseen hävittämiseen.
- Oikeushenkilöiden pitää selvittää laitteen toimittajalta minne ja miten voi toimittaa sähköiset jätteet turvalliseen hävittämiseen. Mikäli niillä on suora sopimus sähkö- ja elektroniikkaromun kierrätykseen erikoistuvien organisaatioiden kanssa, jätteitä on annettava suoraan niille.



CE merkintä (engl. "CE Marking") tuotteessa (tai sen pakkauksessa) viittaa siihen, että tuote vastaa Euroopan Unionin turvallisuus-, terveys- ja ympäristövaatimuksia.



RoHS merkintä viittaa siihen, että osia on valmistettu kierrätysraaka-aineesta.

Tärkeät tiedot

- Akku on ladattu täyteen silloin, kun lataat ja annat sen mennä loppuun 2-3 kertaa.
- Äärimmäiset lämpötilat (erityisen kuuma/kylmä ilma) voivat vaurioittaa laitettasi ja tyhjentää akkua. Tämä voi myös vaikuttaa laitteen käyttöaikaan.

Laitteen käyttäminen tiloissa, joissa älylaitteiden käyttö on kielletty tai rajoitettu

Varoitus: noudata kaikkia turvallisuusvaatimuksia käytettäessä laitetta erikoistiloissa.

- Sulje laitteesi aina niissä paikoissa, joissa laitteiden käyttö on kielletty;
- Älä käytä laitetta muiden elektronisten laitteiden vieressä;
- Suurin osa elektronisista laitteista käyttävät radiosignaaleja. Laitteesi voi häiritä muiden elektronisten laitteiden toimintaa.
- Älä tuo laitettasi lähelle sydäntahdistinta. Mikäli mahdollista älä käytä laitetta alle 15 cm etäisyydellä sydäntahdistimesta koska laitteesi voi häiritä sen toimintaa. Häiriöiden välttämiseksi pidä laitteesi vastapuolella.
- Älä käytä laitettasi sairaalassa tai sellaisten sairaalalaitteiden vieressä, joiden toimintaa laitteen radiosignaali voi häiritä;
- Mikäli käytät jotakin lääkintälaitetta, ota yhteyttä kyseisen laitteen valmistajaan ja varmista, että laitteen radiotaajuuden eivät häiritse lääkintälaitteen toimintaa;
- Sammuta laite räjähdysvaarallisten paikkojen läheisyydessä;
- Noudata aina räjähdysvaarallisissa paikoissa olevia ohjeita, merkkejä ja määräyksiä;
- Älä käytä laitetta auton tankkauksen aikana huoltoasemilla tai lähellä palavia kemiallisia aineita;
- Paikassa, missä pidät laitetta, sen osia tai varusteita, ei saa olla polttoneiteitä, kaasuja tai räjähdysvaarallisia aineita;
- Turvallinen ajaminen on velvollisuutesi. Älä koskaan käytä laitetta ajon aikana jos se on säännöissä kielletty;
- Sammuta laitetta lentokoneen nousun ja laskun ajaksi. Laite voi häiritä lentokoneen navigointilaitteiden toimintaa.

Pidä laite kuivana

- Kosteus ja erilaiset nesteet voivat vahingoittaa laitetta tai sen osia palautumattomasti;
- Älä kytke laitetta päälle jos se on kostea. Jos laite on jo päällä, kytke se pois päältä ja ota siitä akku pois. Jos laite ei mene pois päältä tai akun ulos ottaminen ei onnistu, pyyhi se pyyhkeellä ja vie huoltokeskukseen;
- Kosteudesta aiheutuneita häiriöitä tai vikoja valmistajan takuu ei kata.

Älä käytä äläkä pidä laitetta pölyisissä ja likaisissa paikoissa

- Laitteeseen päässyt pöly voi aiheuttaa toimintahäiriöitä.

Älä pidä laitetta kaltevalla pinnalla

- Jos laite luiskahtaa ja putoaa, se voi vaurioitua.

Älä pidä laitetta kuumissa tai kylmissä paikoissa

- Käytä laitetta -20 +45 °C lämpötilassa;
- Laitteen jättäminen suljettuun ajoneuvoon kuumana päivänä voi aiheuttaa sen räjähtämisen koska auton sisällä lämpötila voi olla jopa +80 °C;
- Älä jätä laitetta suoraan auringonpaisteeseen pitkäksi aikaa (esim. auton etupaneelille);

Älä pidä laitetta magneettikenttien läheisyydessä

- Magneettikenttien vaikutuksen takia laite voi toimia huonosti tai akun varaus voi purkautua;

Älä pane laitetta lämmityslaitteiden viereen tai päälle, mikroaaltouunen, ruoanlaittolaitteen tai korkeapaineastioiden päälle

- Laite voi ylikuumentua, syttyä tai räjähtää.

Estä laitteen putoamista ja laitteeseen kohdistuvia iskuja

- Laitteen näyttö voi mennä rikki;
- Laitteen vääntäminen ja deformaatio voi vaurioittaa laitetta, minkä tuloksena se tai sen osat toimivat huonosti.

Estä laitteen olemista kosketuksessa metalliesineiden (kolikkojen, avainten, ketjujen) kanssa

- Laitteeseen tai sen näyttöön voi tulla naarmuja.

Suojaa silmiä haitallisilta valonvälähdyksiltä

- Kun käytät laitetta sisätilassa, huomioi, että siinä pitää olla jonkunäköistä valaistusta. Älä tuo näyttöä liian lähelle silmiäsi.
- Elokuvienv pitkä kakselu tai pelien pelaaminen voi heikentää näköä suuren valonvoimakkuuden takia. Kun ilmenee epämiellyttäviä oireita, sammuta laite.

Vähennä toistuvista liikkeistä aiheutuvan trauman saamisen riskiä

• Kun teet samat liikkeet (painat nappeja, syötät tekstejä, pelaat pelejä) käsissä, niskassa, hartioissa ja muissa ruumiinosissa voi olla epämiellyttäviä tunteita. Kun käytätte laitetta pitkään, pidä se käsissä rennosti. Tee säännöllisiä taukoja. Mikäli oireita ilmenee siitäkin huolimatta, lopeta laitteen käyttö ja mene lääkäriin.

Huolehdi akun ja laturin maksimaalisesta käyttöajasta

- Älä jätä akkua lataukseen viikkoa pidemmäksi ajaksi koska liian pitkä latausaika voi lyhentää sen käyttöaika.
- Käyttämättömänä ollut täyteen ladattu akku tyhjentyy ajan kuluessa ja ennen käyttöä se on ladattava taas.
- Irrota käyttämättä olevat laturit sähköverkosta.

Huolehdi kuulostasi kuulokkeiden käyttämisen aikana

- Voimakas ääni voi aiheuttaa kuulon heikkenemistä;
- Ajamisen aikana voimakas ääni voi viedä tarkkaavisuuden ja johtaa liikenneonnettomuuteen;
- Vähennä aina äänen voimakkuuden ennen kuulokkeiden liittämistä äänilähteeseen. Säädä minimaalinen äänitaso puheluissa tai musiikin kuuntelussa;
- Kuivassa tilassa kuulokkeisiin saattaa kertyä staattista sähköä. Yritä olla käyttämättä kuulokkeita kuivassa tilassa tai ennen käyttöä koske kuulokkeilla jotakin metalliesinettä staattisen sähkön purkausta varten.

Ole varovainen käytettäessäsi laitetta kävelyn tai liikkumisen aikana

- Vammautumisen ja muiden ihmisten vahingoittamisen välttämiseksi seuraa tarkkaavaisesti mitä ympärillä tapahtuu.

Älä pura laitetta osiin, tee siihen muutoksia tai korjaa laitetta itse

- Puhdista laite ja laturi kuivalla pyyhkeellä / sienellä tai siihen tarkoitetuilla aineilla.
- Älä käytä kemikaaleja tai desinfiointiaineita.

Älä käytä laitetta jos sen näyttö on rikkiäinen tai viallinen

- Rikkoutunut lasi voi vahingoittaa käyttäjän käsiä ja kasvoja. Vie laite eSTAR huoltokeskukseen korjattavaksi.
- Käytä laitetta vain tarkoituksenmukaisesti

Käytä laitetta vain tarkoituksenmukaisesti

Kun käytät laitetta julkisessa tilassa yritä olla häiritsemättä muita ihmisiä

Käsittele SIM-korttia ja muistikorttia varovasti

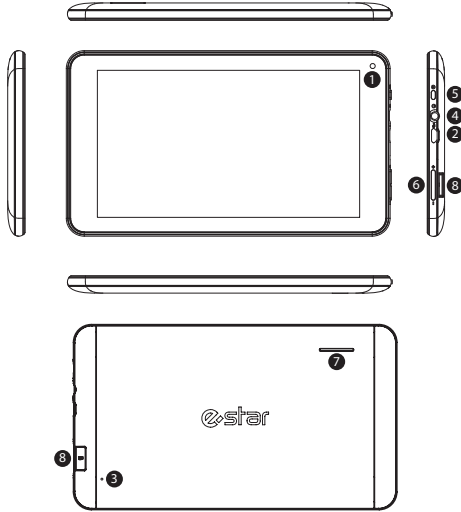
- Älä irrota korttia kun laite on lähettämässä tai vastaanottamassa dataa koska se voi aiheuttaa tietojen menetystä ja(tai) kortin tai laitteen vaurioitumista.
- Suojaa kortit iskuilta, staattiselta sähköltä ja muiden laitteiden aiheuttamilta sähköhäiriöiltä.
- Älä koske kullankäyttöön kontakteihin tai muistikortin liittimiin sormilla tai metalliesineillä. Jos ne ovat likaisia, pyyhi korttia pehmeällä kankaalla.

Suojaa henkilökohaisia ja muita tärkeitä tietoja

- Muista varmuuskopioida kaikki tärkeät tiedot käyttäessäsi laitetta. eSTAR ei vastaa menetetyistä tiedoista;
- Kun viette laitteen remonttiin eSTAR:in valtuutettuun huoltokeskukseen varmuuskopioi kaikki tärkeät tiedot ja poista tärkeät tiedot laitteesta. eSTAR ei vastaa menetetyistä tiedoista;
- Ennen laitteen asetusten nollaamista tehdasasetusarvoiksi ("Factory Reset") varmuuskopioi tärkeät tiedot;
- Mikäli päätätte hävittää laite, varmista, ettei siihen ole jäänyt tärkeitä tai luottamuksellisia tietoja;
- Jos laitteesi katoaa tai varastetaan, muista vaihtaa tiliesi salasanat henkilötietojesi suojelemiseksi.

Käytön aloittaminen

Laitteen pääosat



	Toiminto / selitys
1.	Etukamera (valokuvaus ja videotallennus)
2.	USB-liitäntä (USB Socket)
3.	Reset
4.	Kuulokeliitäntä
5.	Virtanäppäin (Power button)
6.	Äänenvoimakkuuden säätönäppäin (VOL+/VOL-button)
7.	Kaiuttimet
8.	Micro SD(HC)

Akun lataaminen

- Ennen ensimmäistä käyttökertaa lataa akku täyteen;
- Käytä vain eSTAR latureita, jotka soveltuvat laitteeseesi. Muut laturit voivat aiheuttaa laitteen palautumattoman vahingoittumisen. .

Laitteen kytkeminen päälle / pois päältä

- Laitteen päälle kytkemistä varten paina virtanäppäintä (Power). Ellei laite mene päälle, varmista, onko laite ladattu;
- Kun käynnistät laitteen ensimmäistä kertaa hoida sen asetukset näytölle ilmestyvien ohjeiden mukaisesti. Mikäli haluat käyttää Googlen sovelluksia pitää luoda uusi Google-tili (Google Account) tai kirjautua olemassaolevaan.
- Laitteen pois päältä kytkemistä varten paina virtanäppäintä (Power).
- Huomatus: Mikäli haluat palata tehdasasetuksiin jos, esimerkiksi ohjelma on jumitunut, paina virtanäppäintä (Power) ja pidä sitä kunnes laite uudelleenlatautuu.

Verkkoyhteyden luominen

- Mikäli haluat yhteyden Internetiin käytä WiFi (WLAN) toimintoa;
- ☰ → ⚙ Settings → 📶 WLAN-ON. Kun laite muodostaa yhteyden WiFi (WLAN) verkkoon joskus vaaditaan salasanaa;
- Jos laite pystyy käyttämään mobiilidataa (2G/3G/4G) tämän toiminnon saa päälle seuraavasti: Settings-Mobile data-ON. Jatko-ohjeita yhteyden säätämiseksi saat mobiiliverkko-operaattorilta. Huom! Verkkoon liittyminen ja datan lataaminen voi olla maksullinen. Lisätietoja tariffeista antaa mobiiliverkko-operaattorisi.

* Google, Google Play ovat Google Inc:n tavaramerkkejä.

«eSTAR» смарт-пристрій Модель №: eSTAR BEAUTY 2 HD Quad Core



e-star

www.estar.eu

Дякуємо Вам за придбання смарт-пристрою «eSTAR». Перед початком використання, рекомендуємо прочитати даний короткий посібник користувача.

- Зміст короткого посібника користувача може відрізнятися від придбаної Вами моделі «eSTAR» програмним і апаратним забезпеченням;
- Інформація, надана в короткому посібнику користувача, може бути змінена без попереднього повідомлення. Остання версія доступна на сайті:
- www.estar.eu;
- Комплектація продуктів і/або аксесуари «eSTAR», що продаються можуть відрізнятися в залежності від регіону/країни;
- Комплектація продуктів «eSTAR» призначена саме для цієї моделі і може бути несумісна з іншими продуктами «eSTAR»;
- «eSTAR» не несе відповідальності за несправності пристрою, викликані використанням несумісних аксесуарів (зарядних пристроїв, навушників або ін.);
- Додаткові аксесуари, сумісні з продуктами «eSTAR», можна придбати у регіонального представника «eSTAR»;
- «eSTAR» не несе відповідальності за недостатність інформації, якої бракує і несправності, викликані некоректним використанням апаратного і програмного забезпечення, або інші нещасні випадки.

Запобіжні заходи

Для безпечного використання пристрою, щоб уникнути травм і несправностей, прочитайте цю інформацію:

- Використання навушників при високій гучності, може завдати шкоди вашому слуху. Будь ласка, відрегулюйте звук так, щоб він не шкодив вашому слуху;
- Попередження: уникайте ураження електричним струмом, пожежі або вибуху;
- Не торкайтеся пристрою «eSTAR», а також його частин вологими руками, не використовуйте пристрій під час зарядки;
- Не тягніть за провід зарядного пристрою;
- Не згинайте та іншими способами не пошкоджуйте провід електроживлення;
- Не заряджайте пристрій несправним або пошкодженим зарядним пристроєм;
- Не кидайте та не ударяйте зарядний пристрій або сам пристрій.
- Не використовуйте пристрій під час грози - це може вплинути на роботу пристрою і збільшити ризик ураження електричним струмом;
- Ні в якому разі не розбирайте пристрій самостійно;
- При протиранні екрану планшета або смартфона, не використовуйте засоби, що містять алкоголь, розчинник або бензол, це може необоротно пошкодити екран пристрою;
- Більшість продуктів «eSTAR» нестійкі до впливу вологи і води, використовуючи продукти «eSTAR» в таких умовах, пристрій може бути непоправно зіпсований;
- Не натискайте на екран планшета або смартфона занадто сильно - це може привести до його пошкодження;
- Не використовуйте пристрій під час керування автомобілем - це може призвести до дорожньо-транспортної пригоди.

Бережіть навколишнє середовище. Подбайте про належну утилізацію продукту «eSTAR»

- При утилізації пристрою, керуйтеся місцевими правилами та вимогами.
- Використовуйте підтвержені «eSTAR» акумулятори та зарядні пристрої, розроблені спеціально для вашого пристрою. При використанні несанкціонованих зарядних пристроїв, ви можете значно пошкодити або зіпсувати пристрій.
- Не спалюйте пристрої, які більше не використовуються.
- Не кладіть пристрої на обігрівальні прилади, наприклад, на мікрохвильову піч, плиту або радіатор. Від надмірного нагрівання акумулятори можуть вибухнути.
- Не здавлюйте і не пробивайте пристрій. Подбайте, щоб пристрій не знаходився під тиском з зовнішнього боку - це може привести до внутрішнього короткого замикання та до перегрівання пристрою.



Даний символ на пристрої, його аксесуарах або в документації вказує на те, що пристрій або його електронні аксесуари, що не використовуються (напр.: зарядний пристрій, навушники, USB-кабель або ін.) не можна викидати разом з іншими побутовими відходами. КОРИСТУВАЧ, бережи себе і навколишнє середовище, скористайся можливістю внести свій вклад в збереження природи для майбутніх поколінь, сортуй відходи і передавай їх на переробку.

- Приватні особи за інформацією, куди і як доставити такі електронні відходи для безпечної переробки, повинні звертатися до продавця пристроїв (магазин, інтернет-магазин або ін.), або до місцевих органів управління;

- Юридичні особи за інформацією, куди і як доставити такі електронні відходи для безпечної переробки, повинні звертатися до постачальника даного обладнання або, якщо вони уклали угоду з організацією по утилізації електронних відходів, віддати на переробку безпосередньо туди.



Маркування CE (англ. «CE Marking») на продукті (або на його упаковці) вказує на те, що цей продукт відповідає вимогам Європейського союзу до безпеки, здоров'я та безпеки навколишнього середовища.



Знак RoHS вказує на те, що деталі виготовлені з переробленої сировини.

Важлива інформація

- Акумулятор буде повністю заряджений, коли ви його розрядите і зарядите 2-3 рази.
- Екстремальні температури (спека/холод) можуть деформувати ваш пристрій і скоротити заряд батареї, це може вплинути на термін служби пристрою.

Використання пристрою в обмежених місцях і приміщеннях

Попередження: при використанні пристрою в обмежених місцях, дотримуйтеся всіх правил техніки безпеки.

- Завжди вимикайте пристрій там, де забороняється ним користуватися;
- Не використовуйте пристрій поблизу інших електронних приладів;
- Більшість електронних приладів використовують радіочастотні сигнали. Ваш пристрій може заважати іншим електронним пристроям.
- Не наближайте пристрій до кардіостимулятора. По можливості, намагайтеся не використовувати його ближче, ніж в 15 см від кардіостимулятора, тому що пристрій може порушити роботу кардіостимулятора. Щоб уникнути цього, пристрій тримайте з протилежного боку від стимулятора.
- Не використовуйте пристрій в лікарні або біля медичного обладнання, якому можуть заважати радіочастоти;
- Якщо використовуєте будь-яке медичне обладнання, зв'яжіться з виробником обладнання і переконайтеся, що радіочастоти вашого пристрою не заважають роботі;
- Вимикайте пристрій поблизу потенційно вибухонебезпечних місць;
- Завжди дотримуйтеся вказівок, інструкцій і знаків у місцях потенційної вибухонебезпечності;
- Не використовуйте пристрій, під час заправки паливом (на АЗС) або біля горючих, хімічних речовин;
- У місці, в якому знаходиться пристрій, його частини або аксесуари, не повинно зберігатися ніяких горючих рідин, газу або вибухонебезпечних речовин;
- Безпечне керування автомобілем є вашим основним обов'язком. Ніколи не використовуйте пристрій під час керування автомобілем, якщо це заборонено правилами;
- Вимкніть пристрій при зльоті та посадці літака. Пристрій може заважати роботі навігаційної системи літака.

Належне обслуговування і експлуатація продукту «eSTAR»

Зберігайте пристрій сухим

- Волога і різні види рідин можуть незворотно пошкодити частини пристрою або сам продукт;
- Не вмикайте пристрій, якщо він вологий. Якщо пристрій вже увімкнено, негайно вимкніть його і вийміть батарею. Якщо пристрій не вмикається або Ви не можете вийняти батарею, нічого не робіть, просто витріть пристрій рушником і віднесіть його до сервісного центру;
- На несправності, викликані вологою, гарантія виробника не поширюється.

Не використовуйте та не зберігайте пристрій у запилених і забруднених місцях.

- Пил, що потрапив до пристрою, може порушити його роботу.

Не зберігайте пристрій на похилій поверхні.

- Якщо пристрій зісковзне і впаде, він може пошкодитися.

Не зберігайте пристрій у жарких і холодних місцях.

- Пристрій використовуйте при температурі $-10 +40^{\circ}\text{C}$;
- У спекотну погоду, залишений пристрій в закритому транспортному засобі може вибухнути, так як температура всередині автомобіля може досягати $+80^{\circ}\text{C}$;
- Не залишайте пристрій на тривалий час під прямими сонячними променями (наприклад, на панелі автомобіля);

Не зберігайте пристрій поблизу магнітних полів

- Через вплив магнітних полів, пристрій може почати погано працювати або може розрядитися акумулятор;

Не кладіть пристрій біля обігрівачів або на них, а також на мікрохвильову піч, обладнання для приготування їжі або на контейнери з високим тиском

- Пристрій може перегрітися, викликати пожежу або вибухнути.

Не допускайте падіння і ударів по пристрою

- Можете розбити екран пристрою;
- При згинанні і деформації пристрій може бути пошкоджено, або його частини можуть почати працювати несправно.

Не допускайте, щоб ваш пристрій торкався інших металевих предметів: монет, ключів, ланцюжків

- Пристрій або його екран може подряпатися.

Бережіть очі від шкідливого впливу світлових спалахів

- Приміщення, в якому використовуєте пристрій, повинно бути, хоча б мінімально освітлено, не приближайте екран занадто близько до очей.
- Довгий перегляд фільмів або гра у відеоігри, через яскраве освітлення, може тимчасово послабити зір. Відчувши неприємні симптоми, відразу ж вимкніть пристрій.

Знизьте ризик отримання травми від повторюваних рухів

- Постійно виконуючи одні і ті ж рухи: натискаючи одні й ті самі клавіші, вводячи текст, граючи в ігри, може з'явитися неприємне відчуття в руках, ший, плечах або інших частинах тіла. Під час довгого користування пристроєм, тримайте його розслабленою рукою, не напружено, радимо робити регулярні перерви. Якщо використовуєте пристрій, все одно відчуваєте неприємні симптоми, перестаньте користуватися пристроєм і зверніться до лікаря.

Забезпечте максимальний термін використання акумулятора і зарядного пристрою

- Не залишайте акумулятор заряджатися довше, ніж на тиждень, тому що перезарядження може призвести до скорочення терміну використання.

- З часом акумулятори, що не використовуються розряджаються і перед використанням повинні бути знову заряджені.
- Зарядні пристрої, що не використовуються відключайте від мережі електроживлення.

Бережіть слух, під час використання навушників

- Гучний звук може викликати порушення слуху;
- Гучний звук під час керування автомобілем може відвернути увагу і привести до аварії;
- Завжди зменшуйте гучність, перед тим як підключити навушники до джерела звуку. Встановіть мінімальний рівень звуку, необхідний для розмови або прослуховування музики;
- Якщо ви перебуваєте в сухому приміщенні, в навушниках може утворитися статична електрика. Намагайтеся не використовувати навушники в сухому приміщенні або, перед підключенням навушників до пристрою, доторкніться ними до металевого предмету, щоб стався розряд статичної електрики;

Використовуючи пристрій під час ходьби або руху, вживайте запобіжні заходи

- Щоб уникнути травм і не завдати їх іншим, завжди стежте за тим, що відбувається.

Не розбирайте, не змінюйте і не ремонтуйте пристрій самі

- Виконавши будь-які зміни або модифікації (включаючи несанкціоновані зміни в програмному забезпеченні виробника), втратите гарантію виробника. Несправний пристрій «eSTAR» віднесіть до найближчого авторизованого сервісного центру «eSTAR»;
- Не фарбуйте пристрій і не клейте на нього наклейки.

Вказівки з чищення пристрою:

- Чистіть пристрій і зарядний пристрій сухим рушником/губкою або спеціальними для цього засобами.
- Не застосовуйте для очищення хімічні або дезінфікуючі засоби.

Не користуйтеся пристроєм, якщо екран розбитий або зіпсований

- Розбите скло може поранити ваші руки або обличчя. Віднесіть пристрій до центр обслуговування клієнтів «eSTAR» для ремонту.

Використовуйте пристрій лише за призначенням

Використовуючи пристрій у громадському місці, намагайтеся не заважати іншим. Будьте обережні з SIM картою і картою пам'яті

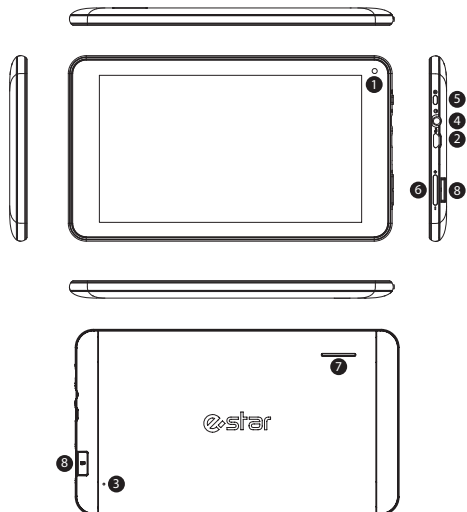
- Не витягуйте картку, коли пристрій висилає або отримує інформацію, тому що можете втратити дані і (або) пошкодити картку або пристрій.
- Бережіть карти від ударів, статичної електрики і електричних перешкод викликаних іншими пристроями.
- Не торкайтеся до золотистих контактів або клем карти пам'яті пальцями або металевими предметами. У разі забруднення, протріть картку м'якою тканиною.

Захистіть ваші особисті та інші важливі дані

- Використовуючи пристрій, не забудьте зробити резервну копію важливих даних. «eSTAR» не несе відповідальності за втрачені дані;
- Здаючи пристрій в ремонт до уповноваженого сервісного центру «eSTAR», якщо можливо, зробіть копії важливих даних і видаліть важливу для вас інформацію з пристрою. «eSTAR» не несе відповідальності за втрачені дані;
- Перед відновленням програмного забезпечення пристрою до заводських налаштувань («Factory Reset») подбайте про резервні копії важливих даних;
- Вирішивши утилізувати свій пристрій, переконайтеся, що в ньому не залишилося жодної важливої для вас або особистої інформації;
- При крадіжці або втраті пристрою, не забудьте поміняти паролі своїх облікових записів, щоб захистити особисту інформацію.

Початок роботи

Основні компоненти пристрою



	Функція/пояснення
1.	Фронтальна фото/відео камера
2.	USB роз'єм (USB Socket)
3.	Reset
4.	Роз'єм для навушників
5.	Кнопка Увімкнення/Вимкнення (Power button)
6.	Кнопка регулювання гучності (VOL+/VOL-button)
7.	Динаміки
8.	Гніздо карти Micro SD(HC)




Зарядка акумулятора

- Перед першим використанням пристрою, повністю зарядіть акумулятор;
- Використовуйте зарядні пристрої лише «eSTAR», які підходять саме для вашого пристрою. Інші зарядні пристрої можуть призвести до необоротного пошкодження пристрою..

Увімкнення/Вимкнення пристрою

- Щоб увімкнути пристрій, натисніть кнопку Увімкнення/Вимкнення (Power). Якщо не вмикається, перевірте, чи заряджений пристрій;
- Увімкнувши пристрій в перший раз, налаштуйте його за інструкціями на екрані. Для того, щоб використовувати додатки, які взаємодіють з «Google», необхідно зареєструвати новий, або зайти в уже наявний обліковий запис «Google Account»;
- Для вимкнення пристрою, натисніть кнопку Увімкнення/Вимкнення (Power).

Підключення пристрою до Інтернету

- Щоб підключитися до Інтернету, використовуйте функцію WiFi (WLAN):
-  →  Налаштування →  WLAN-ON. При підключенні до певного WiFi (WLAN) доступу, може знадобитися пароль.
- • Якщо пристрій має можливість використання мобільної системи передачі даних (2G/3G/4G).

* Google, Google Play є торговими марками корпорації Google Inc.

دليل المستخدم المختصر

«eSTAR» كمبيوتر لوحي ذكي

موديل رقم:

eSTAR BEAUTY 2 HD Quad Core



e-star

www.estar.eu

شكرا لكم لشراء الكمبيوتر اللوحي الذكي "eSTAR". قبل البدء في استخدامه، فإننا نوصي بقراءة دليل الاستخدام المختصر هذا. يمكن الاطلاع على دليل مفصل على الموقع www.estar.eu. محتويات دليل الاستخدام المختصر هذا قد تختلف من حيث البرمجيات والأجزاء الصلبة التي يتكون منها جهازك • دليل الاستخدام المختصر يحتوي على معلومات عرضة للتغيير دون إشعار مسبق. أحدث نسخة متوفرة على الموقع www.estar.eu.

- تجهيزات منتجات "eSTAR" أو الاكسسوارات قد تختلف حسب المناطق/البلدان؛
- تجهيزات منتجات "eSTAR" تم تصميمها خصيصا لطراز معين وقد تكون غير متوافقة مع غيرها من منتجات "eSTAR"
- "eSTAR" غير مسؤولة عن الأضرار الناجمة عن استخدام الملحقات غير المتوافقة (الشواحن، السماعات، الخ)؛
- الاكسسوارات الإضافية لمنتجات "eSTAR" يمكن شراؤها من المندوب الإقليمي لمنتجات "eSTAR"؛
- "eSTAR" لن تكون مسؤولة عن المعلومات المفقودة والأخطاء الناجمة عن الاستخدام غير السليم للأجهزة والبرمجيات، أو حوادث الأخرى.

تدابير الأمان

- من أجل استخدام الجهاز بطريقة آمنة - لتجنب وقوع اصابات أو أخطاء، يرجى قراءة المعلومات التالية؛
- ارتفاع الصوت أثناء استخدام سماعات الأذن، يمكن أن يؤدي إلى تأثير سلبي على سمعك. يرجى ضبط مستوى الصوت بشكل صحيح، وذلك لتجنب التلف في حاسة السمع • تنبيه؛ كن حذرا حتى لا تسبب صدمة كهربائية، حريق أو انفجار.
- لا تلمس منتج "eSTAR" أو أجزائه بأيدي مبللة، ولا تستخدم الجهاز أثناء الشحن.
- لا تسحب الشاحن بواسطة الكابل.
- لا تحني أو تتلف سلك الطاقة؛
- لا تستخدم شاحن معطوب أو تالف.
- لا تقم باسقاط وكسر الشاحن أو الجهاز.
- لا تستخدم الجهاز أثناء العواصف الرعدية - هذا يمكن أن يؤثر على عمل الجهاز ويزيد من خطر حدوث صدمة كهربائية.
- لا تقم بفك المنتج بنفسك.
- عند تنظيف شاشة جهازك اللوحي أو الهاتف الذكي، لا تستخدم الكحول، التتر، أو البنزين، لأن ذلك قد يؤدي إلى تلف دائم في شاشة جهازك؛
- معظم منتجات "eSTAR" ليست مقاومة للرطوبة أو الماء. في حالة استخدام منتجات "eSTAR" في ظل هذه الظروف، الجهاز يمكن أن يحصل على أضرار دائمة.
- لا تضغط على شاشة الكمبيوتر اللوحي أو الهاتف الذكي بشكل قوي - قد يسبب ذلك تلف.
- لا تستخدم الجهاز أثناء القيادة، ويمكن أن تسبب حادث مروري.

حماية البيئة. ضمان التخلص المناسب من "eSTAR"

- عند التخلص من الأجهزة، اتبع القواعد واللوائح المحلية.
- استخدم بطاريات وأجهزة الشحن المعتمدة لـ "eSTAR" - ، والمصممة خصيصا لجهازك. استخدام شاحن غير متوافق يمكن أن يؤدي إلى عطل أو تلف جهازك.
- لا تحرق الأجهزة التي لم تعد تستخدم.
- لا تضع الأجهزة على معدات ساخنة، مثل أفران الميكروويف، والمواقد، أو المبرادات. البطاريات قد تنفجر عندما تزداد حرارتها.
- لا تكسر أو تنتقب الجهاز. تأكد من أن الجهاز ليس تحت ضغط من الخارج - هذا يمكن أن يؤدي إلي ماس كهربائي داخلي أو قد تزداد حموة الجهاز.



هذا الرمز على المنتج أو في المستندات المرفقة يعني أن الجهاز و الملحقات الإلكترونية (على سبيل المثال: شاحن، سماعات، كابل USB، وما إلى ذلك) لا ينبغي أن تكون مختلطة مع النفايات المنزلية العامة. أيها المستخدم احمي نفسك والبيئة المحيطة ، وأغتنم هذه الفرصة للمساهمة في الحفاظ على الطبيعة من أجل الأجيال القادمة، أعد تدوير النفايات وقدمها لإعادة التدوير.

- للحصول على معلومات، أين وكيف يتم تسليم هذه النفايات الإلكترونية للتعامل الآمن معها، على الأشخاص العاديين الاتصال مع بائع المنتج (متجر، متجر على الانترنت، الخ) أو مع السلطات المحلية؛
- للحصول على معلومات، أين وكيف يتم تسليم هذه النفايات الإلكترونية للتعامل الآمن معها ، على الأشخاص الاعتباريين مراجعة الجهة الموردة لهذا المنتج، أما إذا كان لديهم اتفاق مبرم مع مؤسسة لإعادة تدوير النفايات الإلكترونية فينبغي عليهم إرسالها لإعادة التدوير مباشرة.



العمامة (CE) على المنتج (أو عبوته) يدل على أن هذا المنتج يتوافق مع معايير الاتحاد الأوروبي للسادة والصدحة و متطلبات حماية البيئة



العمامة (RoHS)تدل على أن الأجزاء مصنوعة من مواد معاد تدويرها .

معلومات هامة

- سوف يتم شحن البطارية بشكل كامل عن طريق تعريفها وشحنها ل 2-3 مرات.
- درجات الحرارة المتطرفة (الحارة أو الباردة) يمكن أن تشوه الجهاز وتغلل من شحن البطارية، كما أنها يمكن أن تؤثر على عمر الجهاز و تجعله أقصر.
- استخدام الجهاز في المناطق أو الأماكن المحظورة
- تحذير؛ عند استخدام الجهاز في المناطق المحظورة، اتبع جميع تحذيرات السادة والتعليمات.
- دائما اطفى جهازك حيث يمنع استخدامه .
- لا تستخدم جهازك قرب الأجهزة الإلكترونية الأخرى .
- معظم الأجهزة الإلكترونية تستخدم إشارات التردد اللاسلكي. وجهازك قد يتداخل مع الأجهزة الإلكترونية الأخرى .
- لا تضع الجهاز بالقرب من جهاز تنظيم ضربات القلب. إذا كان ذلك ممكنا، وحاول أن لا تبقي الجهاز أقرب من 15 سم من جهاز تنظيم ضربات القلب؛ الجهاز يمكن أن يتداخل مع جهاز تنظيم ضربات القلب. من أجل الحد من احتمال التداخل، ضع الجهاز على الجانب المعاكس من الجسم للذي يوجد فيه جهاز تنظيم ضربات القلب .
- لا تستخدم الجهاز في المستشفى أو على مقربة من الأجهزة الطبية، تردداتها اللاسلكية يمكن أن تتداخل .
- في حال كنت تستخدم أي جهاز طبي، اتصل مع مصنعه وتأكد من أن الترددات الراديوية لا تتداخل .
- اطفى الجهاز عند الاقتراب من الأماكن القابلة للانفجار .
- دائما اتبع التعليمات، العلامات والإشارات للأماكن القابلة للانفجار .
- لا تستخدم الجهاز عند التزود بالوقود (في محطة وقود) أو بالقرب من المواد القابلة للاشتعال أو المواد الكيميائية؛
- في المكان الذي تحتفظ فيه بالجهاز أو أجزاءه أو الأكسسوارات، لا تبقى أي سوائل قابلة للاشتعال أو غاز أو مواد متفجرة .
- مسؤوليتك الرئيسية هي القيادة بأمان. لا تستخدم أبدا الجهاز أثناء القيادة، إذا كانت القواعد تمنع ذلك؛
- اطفى جهازك، عندما تعلق الطائر وتتهبط. جهازك قد يشوش على نظام ملاحدة الطائرة .

الصيانة والاستخدام المناسب للمنتج "eSTAR"

إبق الجهاز في مكان جاف

- الرطوبة والسوائل بجميع أنواعها يمكن أن تضر بشكل دائم الأجزاء أو الجهاز نفسه.
- لا تقم بتشغيل الجهاز، إذا كان رطباً. وإذا كان الجهاز يعمل بالفعل قم بإيقاف تشغيله فوراً وإخراج البطارية. إذا كان لا يمكن إيقاف تشغيل الجهاز أو لم تتمكن من إخراج البطارية - لا تفعل شيئاً. امسح الجهاز بمنشفة وأحضره إلى مركز الخدمة.
- لا يغطي ضمان المصنع الأعطال الناجمة عن الرطوبة.

لا تستخدم ولا تحتفظ بالجهاز في الأماكن المغيرة و الفئرة

- * إن الغبار الذي يدخل في الجهاز يمكن أن يؤثر سلباً على أدائه.

لا تبقي الجهاز على السطوح المنحدرة

- إذا سقط الجهاز، فإنه قد يتحطم

لا تقم بتخزين الجهاز في الأماكن الباردة أو الساخنة

- استخدم الجهاز فقط في درجات الحرارة من 20- +40 درجة سيليسيوس.
- في حالة الطقس الحار، و تركت الجهاز في سيارة مغلقة، فإنه يمكن أن ينفجر لأن درجة الحرارة داخل السيارة يمكن أن تصل إلى +80 درجة سيليسيوس.
- لا تبقي الجهاز تحت أشعة الشمس المباشرة لفترة طويلة (على سبيل المثال، على تابلوه السيارة)؛

لا تبقى الجهاز بالقرب من الحقول المغناطيسية

- نظراً لتأثير المجالات المغناطيسية قد يبدأ الجهاز بالعمل بشكل غير صحيح أو أن البطارية قد تصبح فارغة.

لا تبقي الهاتف بالقرب أو على السخانات، على سبيل المثال، في أفران الميكروويف، واجهزة الطهي او حاويات الضغط العالي

- قد يسخن الجهاز، ويسبب حريق أو انفجار.

لا تسقط أو تضرب جهازك

- قد تكسر شاشة الجهاز
- الجهاز أو أجزائه يمكن أن تتلف أو تبدأ بالعمل بشكل غير صحيح، عند حنيه وتشويبه.

لا تسمح بحصول تلامس لجهازك مع العناصر المعدنية؛ القطع النقدية، ومغناطيس، وسلاسل

- الجهاز أو شاشته قد يتعرضون للخدش

احم عينيك من التأثير السلبي لومضات الضوء

- الغرفة، حيث تستخدم جهازك، يجب أن لا تقل إضاءتها عن الحد الأدنى، لا تبقى الشاشة قريبة جداً من العينين.
- أثناء مشاهدة الأفلام أو ممارسة ألعاب الفيديو لفترة طويلة، نظرك قد ينخفض مؤقتاً بسبب التعرض للضوء الساطع.
- إذا كنت تشعر بأعراض غير سارة أطفئ الجهاز على الفور.

تقليل مخاطر الإصابات التي تتسبب بها الحركات المتكررة

- في الوضعية الثابتة و تكرار نفس الحركات؛ الضغط على نفس المفاتيح، كتابة النص، واللعب، قد تواجه مشقة في اليدين والعنق والكتفين، أو أجزاء أخرى من الجسم. في حالة الاستخدام فترات طويلة لهذا الجهاز، امسكه بيد مسترخية، وبدون توتر. و نصحك بالقيام بواصل استراحة بشكل منتظم. إذا استمرت الأعراض غير السارة، أثناء استخدام الجهاز، توقف عن استخدامه واستشر طبيب معالجة فيزيائية.

ضمان أقصى قدر لعمر الشاحن و البطارية

- لا تترك البطارية في الشحن لمدة أطول من أسبوع، حيث أن الشحن الزائد يمكن أن يقلل من عمر البطارية.
- مع مرور الوقت، البطاريات غير المستخدمة تتفرغ ذاتيا، ويجب أن يعاد شحنها قبل الاستخدام.
- قم بفصل أجهزة الشواحن من المأخذ الكهربائي، عندما لا تستخدمها.

حماية السمع، أثناء استخدام سماعات الأذن

- الصوت العالي جدا يمكن أن يكون ضارا بسمعك.
- الصوت العالي، أثناء القيادة، يمكن أن يشتت الانتباه ويتسبب بحادث.
- قبل توصيل سماعات الأذن لمصدر الصوت ، خفض مستوى الصوت. قم بتعيين الحد الأدنى لبارامتر الصوت المطلوب ناستماع إلى الحديث أو الموسيقى،
- إذا كنت في أماكن جافة، الكهرباء الساكنة قد تتراكم في سماعات الأذن. تجنب استخدام سماعات الأذن في الأماكن الجافة، أو قبل توصيل سماعات الأذن إلى الجهاز، المس بها قطعة من المعدن لإحداث التفريغ الكهربائي.

في حالة استخدام الجهاز، أثناء المشي أو التحرك، اتبع تدابير السلامة

- احرص دائما على مراقبة الوسط المحيط لتجنب وقوع إصابات لنفسك والآخرين.
- لا تقم بتفكيك أو تعديل أو اصلاح الجهاز بنفسك
- ستفقد ضمان المصنع في حالة حدوث أي تغييرات أو تعديلات تقوم بها بنفسك (بما في ذلك التغييرات غير المصرح بها في برمجيات الشركة الصانعة). يرجى إحضار جهاز "eSTAR" المكسور إلى أقرب مركز خدمة معتمد ل "eSTAR"؛
- لا نظلي الجهاز ولا تضع ملصقات عليه.

تعليمات تنظيف الجهاز:

- قم بتنظيف الجهاز والشاحن باستخدام منشفة جافة ا إسفنجة أو وسائل مصممة خصيصا
- لا تستخدم المواد الكيميائية أو المطهرات.

لا تستخدم الجهاز، إذا كسرت الشاشة أو تلفت

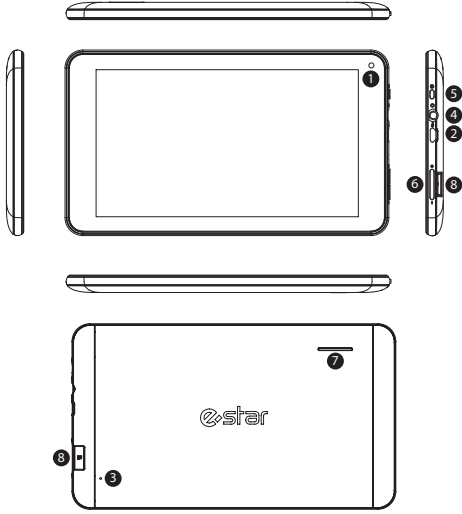
- يمكن أن يسبب الزجاج المكسور إصابات في الوجه واليدين. اجلب الجهاز إلى مركز خدمة عملاء "eSTAR" للإصلاح.
- استخدم الجهاز فقط للفرض المطلوب منه عند استخدام الجهاز في مكان عام، حاول عدم إزعاج الآخرين. كن حذرا مع بطاقات السيم و الذاكرة
- لا تسحب البطاقة، عندما يقوم الجهاز بتنزيل أو تحميل معلومات، فهذا يمكن أن يؤدي إلى فقدان البيانات، و(أو) تلف البطاقة أو الجهاز.
- حماية البطاقات من الصدمات، الكهرباء الساكنة، الضوضاء الكهربائية، الناجمة عن الأجهزة الأخرى.
- لا تلمس التوصيلات ذات اللون الذهبي أو أطراف بطاقة الذاكرة بالأصابع. إذا كانت متسخة، قم بتنظيف البطاقة بقطعة قماش ناعمة

حماية بياناتك الشخصية وغيرها من البيانات الهامة

- لا تنسى أن تجري النسخ الاحتياطي للبيانات الهامة، أثناء استخدام الجهاز. "eSTAR" لن تكون مسؤولة عن فقدان البيانات؛
- عند اعطاء الجهاز إلى مركز خدمة "eSTAR" المعتمد للإصلاح، قم بعمل نسخ من البيانات المهمة واحذف المعلومات مهمة، إن أمكن. "eSTAR" لن تكون مسؤولة عن فقدان البيانات؛
- قبل إعادة تعيين المصنع للبرنامج، اعتن بامر النسخ الاحتياطي للبيانات الهامة؛
- إذا قررت التخلص من جهازك، فتأكد من عدم ترك أي معلومات مهمة أو شخصية فيه؛
- في حالة السرقة أو فقدان الجهاز، لا تنسى تغيير كلمات المرور لحساباتك، من أجل حماية معلوماتك الشخصية

الشروع في العمل

المكونات الرئيسية



الوظيفة الشرح	
1.	كاميرا أمامية كاميرا فيديو
2.	مقبس USB
3.	تدوير تدوير
4.	مقبس سماعات الأذن
5.	زر التشغيل
6.	(VOL+VOL- زر)
7.	مكبرات الصوت
8.	فتحة (Micro SD(HC) (لإدخال بطاقة سيم، افتح الغطاء الخلفي)

شحن البطارية:

- قبل استخدام الجهاز للمرة الأولى، قم بشحن البطارية بالكامل.
- استخدم شواحن "eSTAR" المصممة خصيصاً لجهازك. أجهزة الشحن الأخرى يمكن أن تؤدي إلى تلف دائم في جهازك.

تشغيل | إيقاف التشغيل:

- لتشغيل الجهاز، اضغط على زر الطاقة. إذا لم يتم تشغيل الجهاز، يرجى التحقق، ما إذا كان مشحون؛
- عند تشغيل الجهاز لأول مرة، قم بضبطه وفقاً للخطوات التي ستظهر على الشاشة. لاستخدام التطبيقات التي تتفاعل مع

GoogleTM يجب عليك إنشاء حساب جديد أو تسجيل الدخول إلى حساب غوغل الحالي؛

- لإيقاف تشغيل الجهاز، اضغط على زر الطاقة.
- ملاحظة: من أجل إجراء إعادة ضبط المصنع للبرنامج، على سبيل المثال، إذا فشل التطبيق في البدء، اضغط مع الاستمرار على زر التشغيل حتى يتم إعادة تشغيل الجهاز.

الاتصال بالإنترنت:

- للاتصال بالإنترنت، باستخدام وظيفة (WiFi) (LAN W):
- القائمة ---- الإعدادات ---- WLAN-ON. عند الاتصال إلى (WiFi) (WLAN) معين، قد تكون هناك حاجة لكلمات السر.
- إذا كان الجهاز لديه إمكانية استخدام البيانات المتنقلة (4G/3G/2G)، يمكن تشغيل هذه الوظيفة على هذا النحو: إعدادات -- البيانات المتنقلة -- تشغيل. يرجى الاتصال بمشغل شبكة الجوال للحصول على مزيد من تعليمات التكوين.
- انتباه! قد يكون الاتصال وتحميل البيانات خاضعين لرسوم إضافية. يجب أن تتوافر معلومات أكثر تفصيلاً عن الأسعار من قبل مشغل شبكة الجوال.

Google Inc. و هي علامات تجارية لشركة Google Play و Google*



[REV1201706E-TAB]