

BLAUPUNKT

Instruction manual
Bedienungsanleitung
Instrukcja obsługi
Návod k použití
Návod na použitie
Használati utasítás
Navodila

Upute za uporabu
εγχειρίδιο οδηγιών
инструкциязаупотреба
Manual de instructiuni
Instrukcijų vadovas
Kasutusjuhendit
Ekspluatācijas instrukcija

ESC808 EDITION



Enjoy it.

Električni skuter
Ηλεκτρικό σκούτερ
Електрическа тротинетка
Trotineta electrica
Elektrinis paspirtukas
Τούκερατας
Elektriskais skrejritenis

Electric scooter
Elektroller
Hulajnoga elektryczna
Elektrická koloběžka
Elektrická kolobežka
Elektromos roller
Električni skiro

Safety rules

- Familiarize yourself with and comply with the local road traffic regulations.
- Always wear an approved helmet and other elbow, knee, and wrist protectors.
- Check the battery charge status when the scooter is turned on. If the battery charge is less than 25%, do not drive for a long time.
- Check the appearance and condition of your electric scooter. Make sure that no parts are loose and that there are no abnormal noises.
- The user should be healthy, rested, sober and not take any sedatives or psychotropic drugs before driving.
- Remember that you are taller when driving, so be careful when driving through the door, beware of signs, branches and other upper obstacles to protect your head from injury.
- This equipment can be used by children aged 12 years and over under as long as supervision is provided. People with reduced physical or mental capabilities, as well as people with no previous experience of using this equipment must be supervised and made aware of the risks. The instruction manual should be used as a reference for the safe use of this equipment. Children should not play with the equipment. Children without ensured supervision should not be allowed to perform the cleaning and maintenance of equipment.
- Only Original accessories should be used, as well as accessories recommended by the manufacturer. Using accessories which are not recommended by the manufacturer may result in damage of the device and may render the device unsafe for use.
- The AC adapter should be connected to an outlet with characteristics consistent with the values on the rating label.

- If the cord or power plug or adaptor is damaged or the plug has a loose electrical outlet, do not charge the device and do not power it from the mains.
- Unplug the AC adapter from the electrical outlet when not in use.
- Do not connect or disconnect the adaptor from the power source with wet hands.

Completely prohibited

- Do not ride a scooter in areas prohibited by local or national law.
- It is forbidden to move on slopes whose angle of inclination exceeds 17 degrees, do not enter puddles or water reservoirs whose depth is greater than 5 cm.
- Do not ride a scooter on the stairs.
- It is not allowed to ride on roads intended for cars, roadsides or roads on which it is forbidden to ride.
- It is forbidden to move several people on the scooter or to transport children, also in appropriate carrying slings.
- It is forbidden to move on the scooter without holding the handlebar.
- It is forbidden for children under 12 or for people over 60 to move on their own on the scooter. They must be accompanied by other family members or carers. It is forbidden to ride on the scooter for pregnant women, drunk people, people with mental disorders or disabled people with limited steering abilities.
- Do not ride a scooter in dangerous or explosive locations.
- Do not make phone calls while driving the scooter.
- Avoid driving in bad weather such as heavy rain, snow, strong wind and on icy, slippery or muddy roads.

REMARKS BEFORE DRIVE!

- This scooter has an electric motor installed in the front wheel. Please take a note that riding the scooter in the rain or on wet surfaces may flood the engine and damage it. This malfunction is not covered by the warranty.
- The maximum scooter's range depends on many different factors, such as: user's weight, surface on which the scooter moves, terrain, style and driving mode, weather conditions and the proper air pressure level in the wheels.
- Also keep in mind that battery life drops over the time. This is natural process and should not be treated as a malfunction.



- This scooter has inflatable tubeless wheels to absorb vibrations while driving but you have to ensure the correct air pressure in the wheels
- Check the tire pressure regularly to ensure optimum driving comfort as well as the best possible range on a fully-charged battery. The scooter has standard valves that allow to pump wheels using public compressors. A special adapter that helps to pump the front wheel is included.
- Riding the scooter with low tire pressure is prohibited as it may cause an accident and cause permanent damage of tires. Please note that this malfunction is not covered by the warranty.

The correct tire pressure range is – 3 - 3.4 bar.

Instruction manual

Thank you for purchasing our BLAUPUNKT ESC808 electric scooter. Please read this manual and keep it for future reference. The information contained in this manual will help you get acquainted with the following issues:

- Basic operation and learning how to drive on an electric scooter.
- Safety when driving on an electric scooter.
- Construction and maintenance of an electric scooter.



The device complies with the requirements of the following European Union directives:

- Low-voltage electrical equipment - Low voltage directive (LVD)
- Electromagnetic compatibility (EMC)

The product is CE-marked on name plate



If a crossed-out waste bin symbol appears on the appliance, this indicates that the product is covered by European Directive 2012/19/EU. Familiarise yourself with the requirements of your local electrical and electronic waste collection system. Follow your local regulations. Do not dispose of this product with household waste. Proper disposal of the old product will prevent potential negative effects on the environment and human health.



The device is equipped with batteries covered by the European Directive 2006/66/EC. Do not dispose of batteries with household waste. Please refer to your local regulations for separate collection of batteries, as proper disposal will prevent potential negative consequences for the environment and human health.

Information on environmental protection

The packaging contains only the necessary elements. Every effort has been made to ensure that the three packaging materials are easy to separate: cardboard (box), polystyrene foam (internal protection) and polyethylene (handbags, protective sheet). The device is manufactured from recyclable materials and can be used again after its disassembly by a specialized company. Observe local regulations for the disposal of packaging materials, waste batteries and unnecessary equipment.



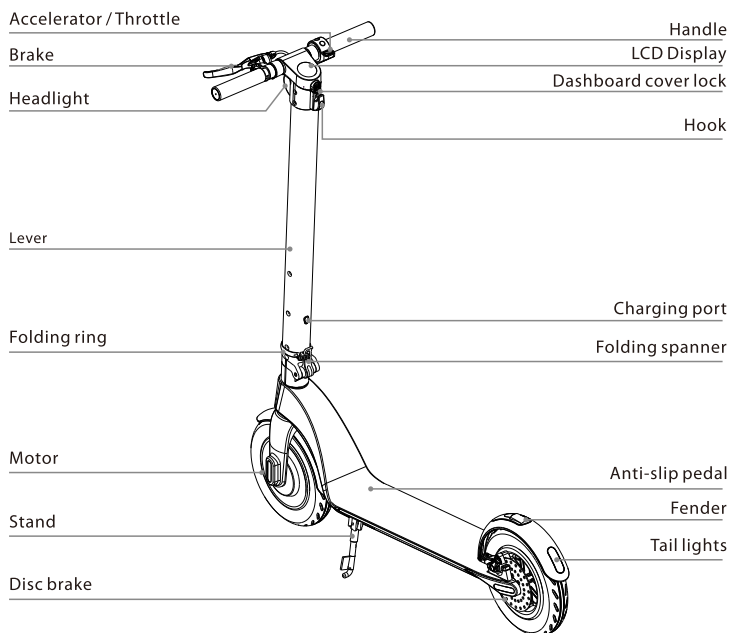
The product is manufactured from high quality materials and components that can be recycled and reused.

Main features of the electric scooter:

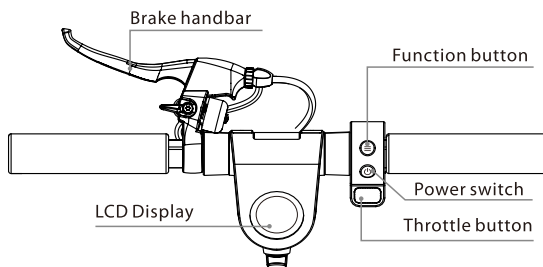
The Blaupunkt ESC808 is an innovative folding electric scooter. The user can stand on the scooter's platform and adjust the speed using the appropriate handle on the handlebar.

- The front and rear wheels are symmetrical and the front-wheel drive provides greater mobility safety. The 8.5-inch inflatable wheels enhance riding comfort.
- The Disc Brake, applied by a lever on the handlebar, and the Rear-Fender foot brake, ensure the shortest braking distance possible, to better protect the rider.
- The device uses a lithium-ion battery, maximum discharge current is more than 10A, high power without charging memory effect, no contamination.
- The total weight of the device is only 13.5kg. The foldable design with one key ensures an easy handling and storage.

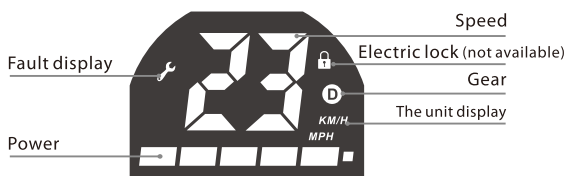
Design of an electric scooter:



Control-System Components



LCD



LCD display

Description of push buttons/features

1. Power Push Button: press and hold the Power Push Button to turn the power on/off
2. Thumb Throttle: press the Thumb Throttle to start and accelerate
3. Brake: squeeze and hold the Brake Lever to work the Disc Brake. Press the Rear Fender slightly to assist the braking (during braking the rear LED lamp flashes)
4. Function key: press the Function Key to select the speed mode
 - a. Beginner mode: "D" not displayed
 - b. Normal mode: "D" lights up white
 - c. Sports mode: "D" lights up red
5. LED lighting: press the Function Key twice to turn on the front and rear LED lights on; press the Function Key twice again to turn the LED lights off.
6. Cruise-Control Mode: maintain your current speed for approximately 6 seconds to enter the Cruise-Control Mode; press the Thumb Throttle or squeeze the Brake Lever to deactivate the Cruise Control.

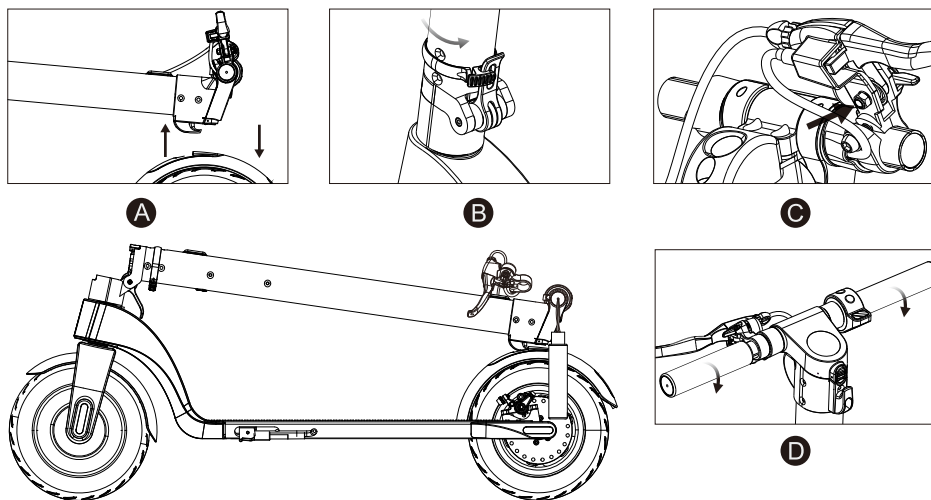
Unpacking

After opening the cardboard box, first remove the scooter and make sure that all parts are complete. If anything is missing, contact your dealer. Check the condition of the unit and its appearance to ensure that the folding system is stable enough and that the platform is free from cracks. Check also that the display screen is not damaged.

Installation

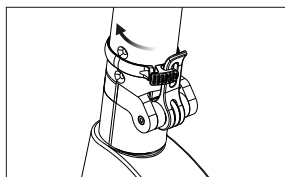
After unpacking and checking the condition of all components, you can start assembling the scooter. Follow the picture below:

1.Assembly

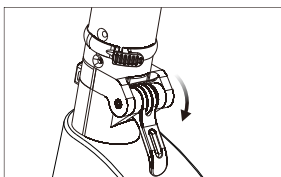


- A. Press the rear fender to release the lock and lift the handlebar stem to the upright position
- B. Lock the folding device by moving the key up as far as possible, and turn the locking clamp to the right as far as possible to secure the key against unlocking
- C. Use an M6 Allen key to fix the brake base
- D. Tighten the handlebars securely (observe the direction of tightening)

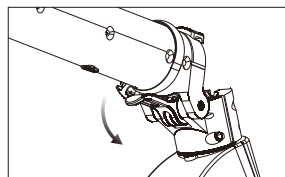
2. Folding



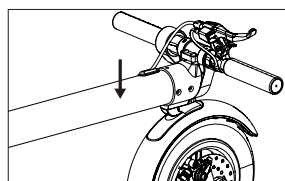
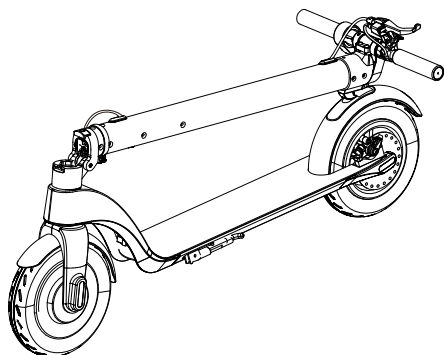
A



B



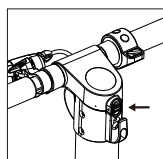
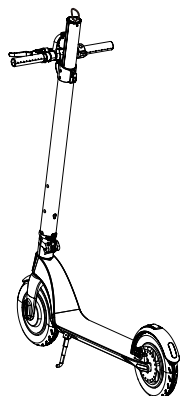
C



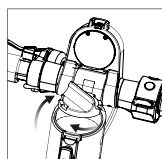
D

- A. Turn the clamp which locks the key anticlockwise
- B. Press the folding device key downwards as far as possible
- C. Fold the handlebar gently by pulling it down
- D. Move the hook provided on the handlebars into the opening in the rear fender and press to lock

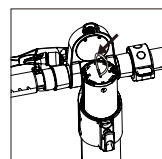
3. Battery Installation/Removal



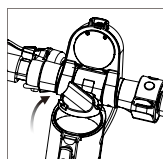
A



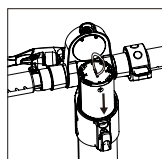
B



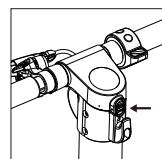
C



A



B



C

Battery Installation

- A. Press the LCD-Housing-Lock push button above the hook and move the housing upwards
- B. Turn the battery cover anticlockwise and remove it
- C. Insert the battery into the opening in the handlebars and turn the cover clockwise to close it

Battery Removal

- A. Press the push button above the hook to open the LCD Housing and turn the battery cover anticlockwise
- B. Use the coloured cord to pull up the battery and remove it
- C. Turn the battery cover clockwise and fasten the LCD housing

NOTE!

After the battery has been removed, you can (re)charge it with the supplied charger.



Do not charge the battery when handling, cleaning, or maintaining the scooter.

Guide to safe driving

The content of this chapter is very important, read it carefully and follow all safety rules and procedures. Our company is not responsible for any accidents that result in property or health damage due to the violation of this safe driving guide.

An electric scooter is not only a fun tool but also a means of transport. Following proper safety precautions while driving can protect you and others from an accident. Please note that using your scooter in the field and on public roads can lead to collisions caused by other road users, even if you follow all safety precautions. It is very important to keep a sufficient distance from other road users and from other vehicles.

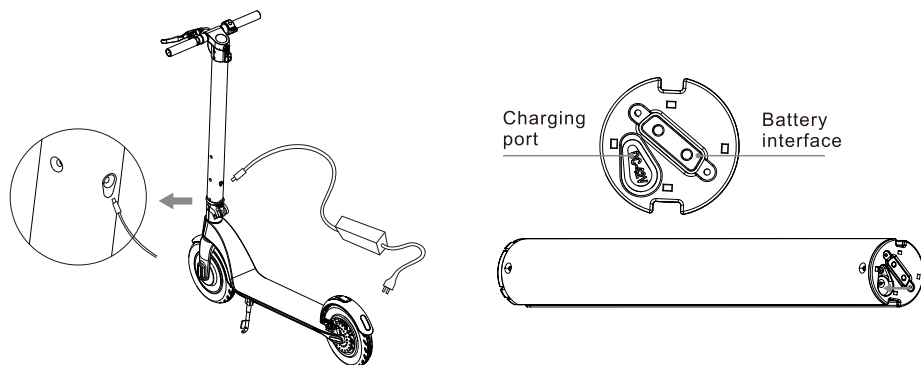
Driving the scooter

- Observe the local road traffic regulations when driving on a scooter. You should guide the scooter carefully and calmly, paying attention to other people and objects in order to avoid collisions.
- Ride your scooter safely at controlled speed and at a distance from pedestrians and other vehicles. Be ready to stop at any time. Avoid sudden acceleration and braking.
- When walking on the pavement, respect pedestrians' rights, give way to them when passing through the belts, and do not frighten passers-by, especially children.
- Adjust the speed of the scooter to other road users in congested areas. If you want to overtake a group of pedestrians, make sure you have enough space and do it safely. Moving in a crowd at high speed is very dangerous.
- Do not park your scooter in a place that will make walking difficult.
- When driving the scooter, you should be relaxed, have knees slightly bent and head raised.



In the event of sudden acceleration or sudden braking while driving at high speed, the driver can easily become unbalanced and ultimately cause an accident. Try to avoid such situations.

Charging the battery



- Make sure that the electrical outlet is dry.
- To (re)charge the battery when it is installed in the scooter, lift the charger-port cap on the handlebar, just above the scooter-folding device.
- To (re)charge a removed battery, lift the charger-port cap at the bottom of the battery.
- Plug the adapter plug into the power source (110 V ~ 240 V, 50 Hz ~ 60 Hz), make sure the green charging lamp is lit, insert the other adapter plug into the scooter's charging socket.
- When the red LED on the power supply lights up, the battery is charging correctly, otherwise check all cable connections.
- When the red light turns green, the battery is fully charged. Disconnect the power supply from the power source. Long-lasting charging can shorten battery life.
- Follow the instructions for charging the battery, otherwise it will damage the battery and shorten its service life.
- The time to charge the scooter's battery is about 2 hours. The manufacturer cannot guarantee the same charging time and operation of the battery due to its wear.
- Ensure clean and dry conditions when charging the battery.
- Do not charge the battery when the power outlet is wet.

First run**Preparation**

- Select the desired location. This place can be inside or outside, it must have an area of 10 x 10 meters (about 100 square meters). The place should be flat, neither wet nor slippery, without obstacles, without vehicles, children, pets or any other things that could distract your attention.
- Read this manual carefully, if you have the opportunity to do so, for advice from a person who is more experienced in safe driving.
- Wear helmet and protectors to avoid possible injuries. Move the scooter to the center of the area where you will be moving and familiarize yourself with the area.

Start

- Press and hold the POWER push button for 2 seconds to switch the scooter on, then select one of the three speed modes
- Place one foot on the deck plate and with the other foot kick-start the scooter
- Place the other leg on the deck plate and ensure you keep your balance
- Press the thumb throttle with your right thumb, and do not ride too fast
- Squeeze the brake lever with your left hand to brake, and gently press the rear fender to assist the braking
- You can get off the scooter when it is running at a low speed or after it has come to a complete stop
- To warn other users that you are nearby, use the bell fitted next to the brake lever

Cleaning and storage

- Clean the scooter after each ride.
- If the rubber surfaces are difficult to clean, use a toothbrush and toothpaste and clean them with a soft cloth. This method can also remove small scratches.
- Store the scooter indoors, in a cool and dry place. Do not expose the scooter to prolonged sunlight.



When cleaning, the battery charging receptacle must be tightly closed, otherwise you may be electrocuted and the scooter may be seriously damaged. Do not wash your scooter under a high pressure water jet or immerse it in water - this may cause irreparable damage to the unit.

Battery maintenance

The battery is the most important part to maintain. To extend its service life, follow the instructions below:

- Read and follow the notes on battery marking.
- The best battery storage temperature is 10 degrees. Do not store the battery pack at temperatures below -10 degrees or above 35 degrees.
- Do not recharge the battery in ambient temperatures lower than 0 degrees - move the battery to a room where the temperature is higher than 10 degrees and allow a minute before you start recharging the battery.
- Store the battery in a cool and dry place. A very humid place can cause condensation inside the battery, which can quickly damage the battery.
- When the display shows a low level of battery, connect the battery pack to the charger. Try to prevent the battery from draining completely. Please charge the battery fully before starting to drive. Frequent charging will not damage the battery. On the contrary, long-term storage of an uncharged battery can shorten its service life

Features and Specifications

- Motor Size: 350 W
- Battery: 36 V 5.0 Ah
- Replaceable Battery
- Max speed: 25 km/h (3-step speed control)
- Running distance: up to 20 km (depending on rider weight and type of pavement)
- Max. weight: 120 kg
- Upslope: 15-20 degrees
- Cruise-control feature
- Rear brake: disc brake, fender brake (foot brake)
- 8.5 -inch inflatable wheels
- Front and rear LED lamps
- LCD for indicating speed and battery-charge level
- Warning bell
- Convenient folding device
- Charging current: 42 V 2 A
- Charging time: 2 hours
- Dimensions: 1056x420x450/1186 mm (folded/assembled)
- Net weight: 13.5 kg

TECHNICAL DATA OF ADAPTOR:

Input voltage: 110-240V~50/60Hz

Max. Input current: 2.5 A

Output voltage: 42 V

Max output current: 2 A

Sicherheitsregeln

- Lesen und befolgen Sie die örtlichen Verkehrsvorschriften.
- Tragen Sie immer einen zugelassenen Helm und andere Ellenbogen-, Knie- und Handgelenkschutzelemente.
- Überprüfen Sie die Batterieladung, wenn der Elektroroller eingeschaltet ist. Wenn die Batterieladung weniger als 25 % beträgt, sollten Sie keine lange Fahrt unternehmen.
- Überprüfen Sie das äußere Erscheinungsbild und den technischen Zustand des Elektrorollers. Achten Sie besonders darauf, dass keine der Komponenten lose sind und das Gerät keine störenden Geräusche abgibt.
- Der Benutzer sollte gesund, ausgeschlafen und nüchtern sein und vor dem Fahren keine Beruhigungsmittel oder Psychopharmaka einnehmen.
- Denken Sie daran, dass Sie während der Fahrt 7 cm größer sind, also seien Sie vorsichtig, wenn Sie durch Türen fahren, achten Sie auf Schilder, Äste und andere oben befindliche Hindernisse, um Ihren Kopf vor Verletzungen zu schützen.
- Das Gerät darf von Kindern im Alter von mindestens 12 Jahren, von Personen mit eingeschränkter körperlicher bzw. geistiger Leistungsfähigkeit sowie von Personen mit mangelnder Erfahrung und Kenntnis über das Gerät verwendet werden, wenn eine Aufsicht oder Einweisung in den sicheren Umgang in einem Ausmaß erfolgt, dass die damit verbundenen Risiken verstanden werden. Kinder dürfen nicht mit dem Gerät spielen. Die Reinigungs- und Wartungsarbeiten dürfen nicht von Kindern ohne Beaufsichtigung durchgeführt werden.
- Verwenden Sie nur Originalzubehör oder vom Hersteller empfohlenes Zubehör. Die Verwendung von nicht vom Hersteller empfohlenem Zubehör kann zu Schäden am Gerät führen und die Sicherheit der Verwendung gefährden.
- Schließen Sie das Netzteil nur an eine Steckdose mit den auf dem Typenschild angegebenen Eigenschaften an.

- Wenn das Netzkabel oder der Stecker beschädigt oder der Stecker in einer Steckdose lose ist, laden Sie das Gerät nicht auf und versorgen es nicht über das Stromnetz mit Strom.
- Trennen Sie das Netzteil von der Steckdose, wenn Sie es nicht benutzen.
- Tauchen Sie das Netzteil niemals in Wasser oder andere Flüssigkeiten ein.
- Schließen Sie das Netzteil nicht mit nassen Händen an die Stromquelle bzw. trennen Sie es nicht von der Stromquelle.

Vollständig verboten

- Fahren Sie mit dem Roller nicht in Gebieten, die nach lokalem oder nationalem Recht verboten sind.
- Es ist verboten, sich an Hängen zu bewegen, deren Neigungswinkel 17 Grad übersteigt, in Pfützen oder Wasserreservoirs mit einer Tiefe von mehr als 5 cm einzudringen.
- Fahren Sie den Roller nicht auf Treppen.
- Es ist verboten, auf Straßen zu fahren, die für Autos bestimmt sind, am Straßenrand sowie auf Straßen, auf denen es verboten ist zu fahren.
- Es ist verboten, sich in mehreren Personen auf dem Roller zu bewegen und Kinder zu tragen, auch in geeigneten Trägern.
- Es ist verboten, den Roller zu fahren, ohne das Lenkrad zu halten.
- Kinder unter 12 Jahren und Personen über 60 Jahren dürfen den Roller nicht alleine fahren. Sie müssen während der Fahrt von anderen Familienmitgliedern oder Erziehungsberechtigten begleitet werden. Es ist verboten, dass der Roller von schwangeren Frauen, betrunkenen Personen, Personen mit psychischen Störungen oder Personen mit Behinderungen bzw. mit eingeschränkten Lenkfähigkeiten gefahren wird
- Fahren Sie den Roller nicht in gefährlichen und potenziell explosiven Atmosphären.
- Führen Sie keine Telefonate, während Sie den Roller fahren.
- Vermeiden Sie das Fahren bei schlechten Wetterbedingungen wie starkem Regen, Schnee, starkem Wind und auf eisigen, rutschigen oder schlammigen Straßen.

ANWEISUNGEN VOR BEGINN DER FAHRT!

- Dieser Roller hat einen Elektromotor, der im Vorderrad montiert ist. Bitte beachten Sie, dass die Fahrt mit dem Roller bei Regen oder auf nasser Fahrbahn dazu führen kann, dass der Roller nass wird und der Motor beschädigt werden kann. Ein solcher Mangel ist nicht von der Garantie abgedeckt.
- Die maximale Reichweite des Rollers hängt von einer Reihe von Faktoren ab, darunter: das Gewicht des Benutzers; die Oberfläche, auf der sich der Roller bewegt; die Geländebeschaffenheit; der Fahrstil und die Fahrweise; die Wetterbedingungen und der entsprechende Luftdruck in den Rädern.
- Bitte beachten Sie auch, dass die Leistung der Batterie mit der Zeit abnimmt. Das ist ein natürlicher Prozess und sollte nicht als Fehlfunktion betrachtet werden.



- Der Roller ist mit aufblasbaren schlauchlosen Rädern ausgestattet, die dank des richtigen Luftdrucks in den Reifen Vibrationen während der Fahrt dämpfen.
- Der Reifendruck sollte regelmäßig überprüft werden, um einen optimalen Fahrkomfort und eine maximale Reichweite mit der vollständig aufgeladenen Batterie zu gewährleisten. Der Roller ist mit Standardventilen ausgestattet, dank denen es möglich ist, die Räder mit Hilfe von öffentlich zugänglichen Kompressoren aufzupumpen. Im Lieferumfang ist auch ein Adapter enthalten, um das Aufpumpen des Vorderrades zu erleichtern.
- Ein Roller mit niedrigem Reifendruck darf nicht betrieben werden, weil dies zu einem Unfall und dauerhaften Schäden am Reifen führen kann, die nicht von der Garantie abgedeckt sind.

Der richtige Reifendruckbereich liegt bei 3-3,4 bar.

Vielen Dank, dass Sie sich für unseren Elektroroller BLAUPUNKT ESC808 entschieden haben. Bitte lesen Sie dieses Handbuch durch und bewahren Sie es zum späteren Nachschlagen auf. Die in diesem Handbuch enthaltenen Informationen sollen Ihnen helfen, sich mit den folgenden Problemen vertraut zu machen:

- Grundlegende Bedienung und Erlernen der Fahrweise auf dem Elektroroller.
- Sicherheit beim Fahren auf dem Elektroroller.
- Bau und Wartung des Elektrorollers.



Das Gerät entspricht den Anforderungen der Richtlinien der Europäischen Union:

- Niederspannungs-Elektrogeräte - Niederspannungsrichtlinie (LVD)
- Elektromagnetische Verträglichkeit (EMV)

CE-Kennzeichnung des Produkts auf dem Typenschild



Wenn sich auf dem Gerät ein durchgestrichenes Mülltonnenschild befindet, bedeutet dies, dass das Produkt unter die Bestimmungen der europäischen Richtlinie 2012/19/EU fällt. Lesen Sie die Anforderungen an ein lokales elektrisches und elektronisches Abfallsammelsystem. Befolgen Sie die örtlichen Vorschriften. Entsorgen Sie dieses Produkt nicht im normalen Hausmüll. Die ordnungsgemäße Entsorgung des alten Produkts verhindert mögliche negative Auswirkungen auf die Umwelt und die menschliche Gesundheit.

Detaillierte Informationen über die nächstgelegene Sammelstelle erhalten Sie direkt bei Ihrem Händler oder Unternehmen

Blaupunkt Competence Center, 2N-Everpol Sp. z o.o., ul. Puławska 403A, 02-801 Warszawa, Tel. +48 22 331 9959, E-Mail: emobility@blaupunkt.pl



Das Gerät ist mit einem ausgestattet, die unter die europäische Richtlinie 2006/66/EG fallen. Entsorgen Sie den Akku nicht im Hausmüll. Bitte beachten Sie Ihre örtlichen Vorschriften für die getrennte Sammlung von Batterien bzw. Akkus, da eine ordnungsgemäße Entsorgung mögliche negative Auswirkungen auf die Umwelt und die menschliche Gesundheit verhindert.

Informationen zum Umweltschutz

Die Verpackung enthält nur die notwendigen Elemente. Es wurde darauf geachtet, dass die drei Verpackungsmaterialien leicht zu sortieren sind: Karton (Box), Styropor (Innenschutz) und Polyethylen (Beutel, Schutzfolie). Das Gerät besteht aus recycelbaren Materialien und kann nach der Montage durch einen Fachbetrieb wiederverwendet werden. Beachten Sie die örtlichen Vorschriften für die Entsorgung von Verpackungsmaterialien, gebrauchten Batterien und unnötigen Geräten.

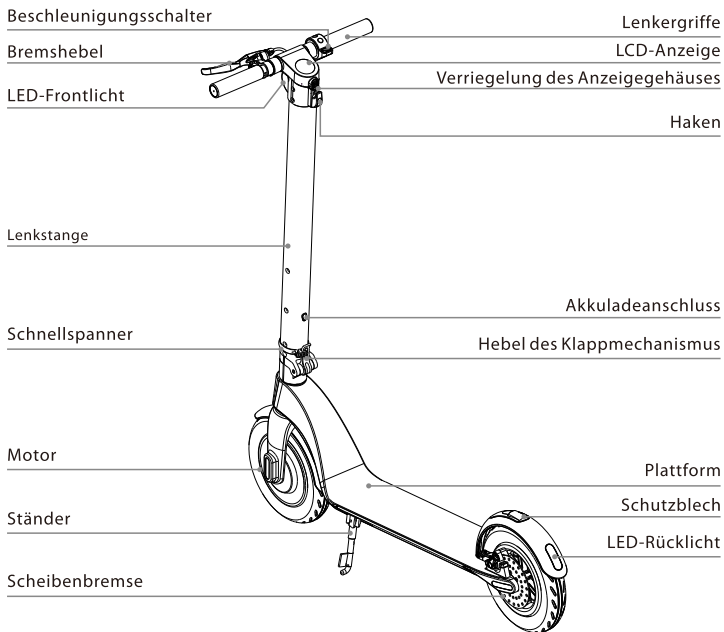


Das Produkt wird aus hochwertigen Materialien und Komponenten hergestellt, die recycelt und wiederverwendet werden können.

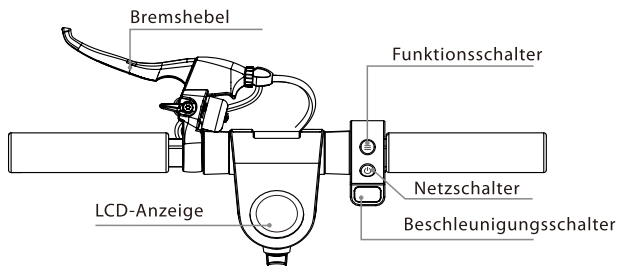
Hauptmerkmale des Elektrorollers:

- Blaupunkt ESC808 ist ein innovativer klappbarer Elektroroller. Der Benutzer kann auf der Rollerplattform stehen und die Geschwindigkeit mit dem entsprechenden Lenkergriff einstellen.
- Die Vorder- und Hinterräder sind symmetrisch und der Vorderradantrieb sorgt für mehr Sicherheit. 8.5" aufblasbare Räder erhöhen den Fahrkomfort.
 - Die Scheibenbremse, die durch den Bremshebel am Lenker aktiviert wird, und die hintere Fußbremse sorgen für den kürzesten Bremsweg und können den Fahrer besser schützen.
 - Das Gerät verwendet eine Lithium-Ionen-Batterie, der maximale Entladestrom beträgt mehr als 10 A, hohe Leistung ohne Ladungsspeichereffekt, keine Kontamination.
 - Das Gesamtgewicht des Gerätes beträgt nur 13,5 kg. Das klappbare Design mit einem Schlüssel garantiert eine komfortable Handhabung und Lagerung.

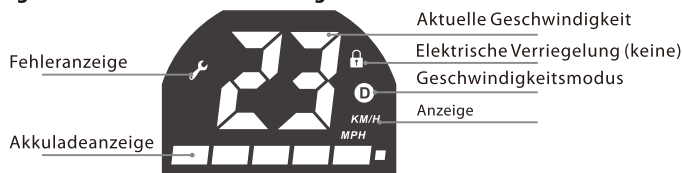
Bau eines Elektrorollers:



Aufbau des Steuerungssystems



Aktuelle Geschwindigkeit Bauweise der LCD-Anzeige



Beschreibung der Schalter/Funktionen:

1. Netzschalter: drücken Sie lange den Netzschalter, um das Gerät ein- und auszuschalten;
2. Beschleunigungsschalter: drücken Sie den rechten Beschleunigungsschalter, um die Fahrt zu starten und zu beschleunigen;
3. Bremse: halten Sie den Bremshebel fest, um zu bremsen. Drücken Sie leicht auf das hintere Schutzblech, um das Bremsen zu unterstützen; (beim Bremsen blinkt das LED-Rücklicht)
4. Funktionsschalter: drücken Sie kurz den Funktionsschalter, um den Geschwindigkeitsmodus auszuwählen:
 - a. Anfänger-Modus: kein „D“-Symbol
 - b. Normalmodus: das „D“-Symbol leuchtet weiß auf
 - c. Sportmodus: das „D“-Symbol leuchtet rot auf
5. LED Beleuchtung: Drücken Sie den Funktionsschalter zweimal, um das LED-Frontlicht und LED-Rücklicht einzuschalten; drücken Sie den Funktionsschalter erneut zweimal, um das LED-Frontlicht und LED-Rücklicht auszuschalten.
6. Tempomat-Modus: Erhalten Sie Ihre aktuelle Geschwindigkeit für ca. 6 Sekunden aufrecht, um den Tempomat-Modus zu aktivieren; drücken Sie den Beschleunigungsschalter oder drücken Sie den Bremshebel, um die Tempomat-Funktion zu deaktivieren.

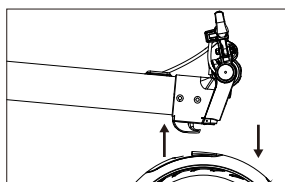
Auspacken

Nach dem Öffnen des Kartons entfernen Sie zuerst den Roller und überprüfen Sie, ob alle Komponenten vollständig sind. Wenn etwas fehlt, wenden Sie sich bitte an Ihren Händler. Überprüfen Sie den Zustand des Gerätes und sein äußeres Erscheinungsbild, ob das Klappsystem stabil genug ist, ob die Plattform keine Risse aufweist. Überprüfen Sie auch, ob das Display nicht beschädigt ist.

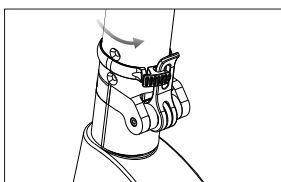
Montage

Nach dem Auspacken und der Überprüfung des Zustands aller Elemente kann mit der Montage des Rollers begonnen werden. Befolgen Sie die folgenden Bildanweisungen:

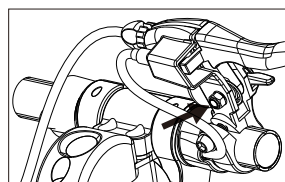
1. Aufklappen



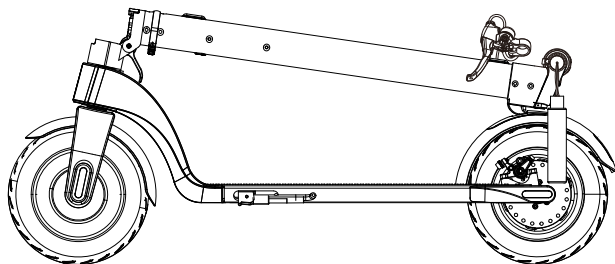
A



B



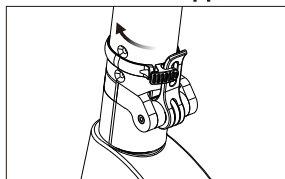
C



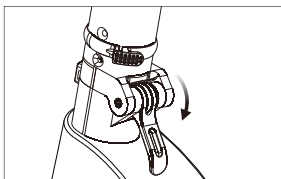
D

- A. Drücken Sie auf das hintere Schutzblech, um die Verriegelung zu lösen und die Lenkstange in die vertikale Position zu bringen;
- B. Verriegeln Sie den Klappmechanismus, indem Sie den Hebel des Klappmechanismus so weit wie möglich nach oben heben, sichern Sie den Hebel gegen Entriegeln, indem Sie den Schnellspanner nach rechts bis zum Anschlag drehen.
- C. Befestigen Sie den Bremskörper mit einem Sechskantschlüssel M6.
- D. Ziehen Sie die Lenkergriffe fest (beachten Sie die Richtung des Festziehens).

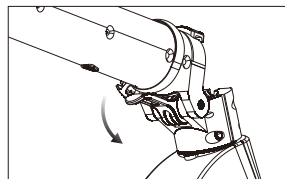
2. Zusammenklappen:



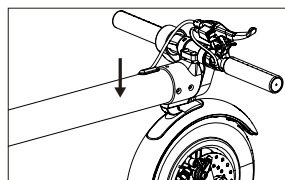
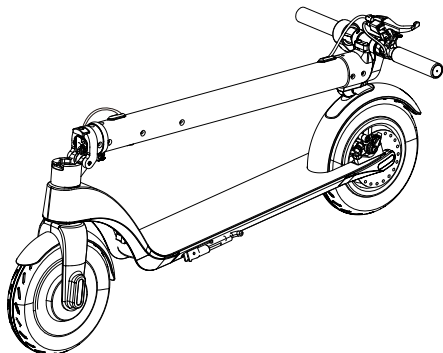
A



B



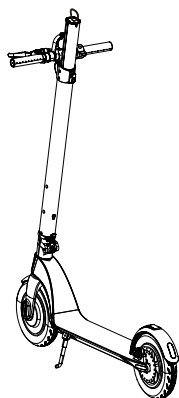
C



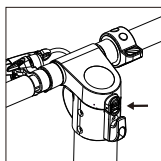
D

- A. Drehen Sie den Schnellspanner, der der Hebel schützt, nach links;
- B. Drücken Sie den Hebel des Klappmechanismus so weit wie möglich nach unten;
- C. Falten Sie die Lenkstange vorsichtig, indem Sie sie nach unten ziehen;
- D. Schieben Sie den an der Lenkstange befestigten Haken in die Öffnung im hinteren Schutzblech und drücken Sie ihn zum Verriegeln an;

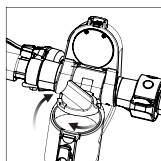
3. Battery Installation/Removal



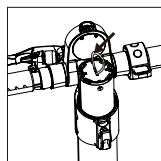
Montage



A

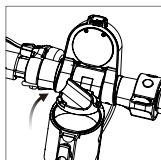


B

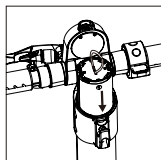


C

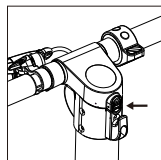
Demontage



A



B



C

Montage des Akkus:

- A. Drücken Sie den Verriegelungsknopf des Anzeigegehäuses über dem Haken und heben Sie das Gehäuse an;
- B. Drehen Sie die Akkuabdeckung nach links und entfernen Sie sie;
- C. Setzen Sie den Akku in die Öffnung in der Lenkstange ein und drehen Sie die Abdeckung nach rechts;

Demontage des Akkus

- A. Öffnen Sie die Anzeigegehäuse, indem Sie den Knopf über dem Haken drücken und die Akkuabdeckung abschrauben;
- B. Ziehen Sie den Akku am farbigen Kabel heraus und entfernen Sie ihn;
- C. Schrauben Sie die Akkuabdeckung ab und senken Sie das Anzeigegehäuse ab;

ACHTUNG!

Nach dem Entfernen des Akkus kann er mit dem mitgelieferten Netzteil aufgeladen werden.



Laden Sie den Akku nicht während der Handhabung, des Klappens, der Reinigung oder der Wartung des Rollers auf.

Leitfaden für sicheres Fahren

Der Inhalt dieses Kapitels ist sehr wichtig, lesen Sie es sorgfältig und befolgen Sie alle Sicherheitsvorschriften und -verfahren. Unser Unternehmen ist nicht verantwortlich für Unfälle, die zu Sach- oder Gesundheitsschäden aufgrund von Verstößen gegen diese Richtlinie für sicheres Fahren führen.

Ein Elektroroller ist ein Gerät zur Unterhaltung, aber auch ein Transportmittel. Die Einhaltung der richtigen Sicherheitsvorschriften während der Fahrt kann Sie und andere vor Unfällen schützen. Denken Sie daran, dass die Verwendung eines Rollers im Gelände und auf öffentlichen Straßen das Risiko von Kollisionen durch andere Verkehrsteilnehmer birgt, selbst wenn Sie alle Sicherheitsvorschriften einhalten. Es ist sehr wichtig, einen ausreichenden Abstand zu anderen Verkehrsteilnehmern und anderen Fahrzeugen einzuhalten.

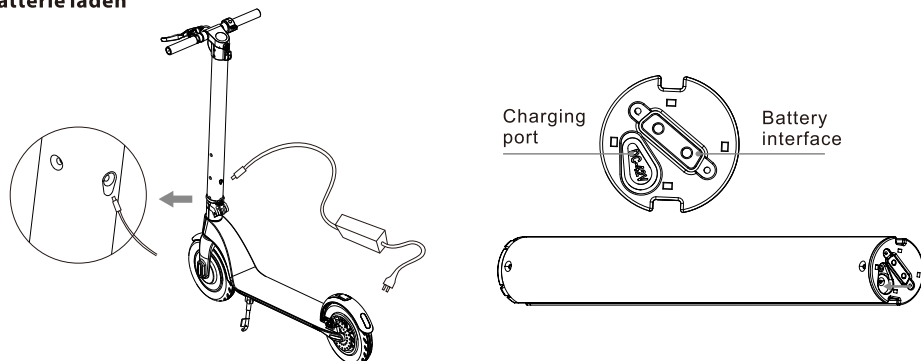
Fahren

- Beachten Sie beim Fahren auf einem Roller die örtlichen Straßenverkehrsregeln. Fahren Sie den Roller vorsichtig und ruhig und achten Sie auf andere Personen und Gegenstände, um Kollisionen zu vermeiden.
- Fahren Sie sicher auf dem Roller; mit kontrollierter Geschwindigkeit und in angemessenem Abstand zu Fußgängern und anderen Fahrzeugen. Seien Sie bereit, jederzeit anzuhalten. Vermeiden Sie plötzliche Beschleunigungen und plötzliches Bremsen.
- Achten Sie beim Fahren auf dem Bürgersteig auf die Rechte der Fußgänger, weichen Sie ihnen beim Überqueren der Gassen aus, erschrecken Sie die Passanten, insbesondere Kinder, nicht.
- Passen Sie Ihre Rollergeschwindigkeit an andere Verkehrsteilnehmer in Ballungsgebieten an. Wenn Sie eine Gruppe von Fußgängern überholen wollen, achten Sie auf genügend Platz und führen Sie das Manöver sicher durch. Sich mit hoher Geschwindigkeit in einer Menge zu bewegen, ist sehr gefährlich.
- Parken Sie Ihren Roller nicht an einem Ort, der es Fußgängern schwer macht, sich weiterzubewegen.
- Wenn Sie den Roller bewegen, entspannen Sie sich, lassen Sie Ihre Knie leicht gebeugt und Ihren Kopf angehoben.



Bei plötzlicher Beschleunigung oder schnellem Bremsen bei hoher Geschwindigkeit kann der Fahrer leicht das Gleichgewicht verlieren und schließlich zu einem Unfall führen. Versuchen Sie, solche Situationen zu vermeiden.

Batterie laden



- Vergewissern Sie sich, dass die Steckdose trocken ist.
- Wenn Sie einen im Elektroroller montierten Akku aufladen, öffnen Sie die Kappe der Akku-Ladebuchse, die sich an der Lenkstange direkt über dem Klappmechanismus des Elektrorollers befindet. Wenn Sie einen abgebauten Akku aufladen, öffnen Sie die Kappe der Akku-Ladebuchse, die sich an der Unterseite des Akkus befindet.
- Stecken Sie den Netzstecker in die Stromquelle, überprüfen Sie, ob die grüne Ladelampe ordnungsgemäß leuchtet, stecken Sie den zweiten Netzstecker in die Ladebuchse des Rollers.
- Wenn die rote Lampe am Netzteil aufleuchtet, ist der Akku korrekt geladen, ansonsten alle Kabelverbindungen überprüfen.
- Wenn das rote Licht grün wird, ist der Akku vollständig geladen. Das Netzteil vom Stromnetz trennen. Eine zu lange Ladung kann die Lebensdauer des Akkus verkürzen.
- Befolgen Sie die Empfehlungen zum Laden des Akkus, da er sonst beschädigt und seine Lebensdauer verkürzt wird.
- Die Ladezeit des Akkus beträgt ca. 2 Stunden. Der Hersteller kann die gleiche Ladezeit und Batterielaufzeit aufgrund von Verschleiß nicht garantieren.
- Achten Sie beim Laden des Akkus auf saubere und trockene Bedingungen.
- Laden Sie den Akku nicht auf, wenn die Steckdose nass ist.

Erste Fahrt

Vorbereitung

- Wählen Sie einen richtigen Ort aus. Dieser Ort kann innen oder außen sein, er muss eine Fläche von 10 x 10 Metern (ca. 100 Quadratmeter) haben. Der Ort sollte flach, nicht nass und rutschig, ohne Hindernisse, ohne Fahrzeuge, Kinder, Haustiere oder andere Dinge sein, die Ihre Aufmerksamkeit ablenken könnten.
- Lesen Sie dieses Handbuch sorgfältig durch. Wenn Sie die Möglichkeit dazu haben, lassen Sie sich von jemandem beraten, der mehr Erfahrung im Bereich des sicheren Fahrens hat.
- Tragen Sie einen Helm und Protektoren, um mögliche Verletzungen zu vermeiden. Bewegen Sie Ihren Roller in die Mitte der Fläche, an dem Sie sich bewegen werden, und lernen Sie die Gegend kennen.

Inbetriebnahme

- Drücken und halten Sie die POWER-Taste 2 Sekunden lang gedrückt, um den Elektroroller einzuschalten. Wählen Sie dann einen der drei Geschwindigkeitsmodi.
- Stellen Sie einen Fuß auf die Plattform und schieben Sie sich mit dem anderen Fuß an, um den Elektroroller in Bewegung zu setzen;
- Stellen Sie den anderen Fuß auf die Plattform und versuchen Sie, das Gleichgewicht zu halten;
- Drücken Sie den Beschleunigungsschalter mit dem Daumen der rechten Hand, fahren Sie nicht zu schnell;
- Zum Bremsen betätigen Sie mit der linken Hand den Bremshebel. Zur Unterstützung des Bremsvorgangs drücken Sie vorsichtig auf das hintere Schutzblech;
- Wenn sich der Elektroroller mit niedriger Geschwindigkeit bewegt oder ganz anhält, können Sie von der Plattform absteigen;
- Um andere Benutzer an dem Ort zu warnen, an dem Sie sich bewegen, verwenden Sie die neben dem Bremshebel angebrachte Klingel;

Reinigung und Aufbewahrung

- Reinigen Sie den Roller nach jeder Fahrt.
- Wenn gummierte Oberflächen schwer zu reinigen sind, verwenden Sie eine Zahnbürste und Zahnpasta, dann verwenden Sie ein weiches Tuch, um den Bereich zu reinigen. Diese Methode kann auch kleine Kratzer entfernen.
- Lagern Sie den Roller in Innenräumen an einem kühlen, trockenen Ort. Setzen Sie Ihren Roller nicht längerem Sonnenlicht aus.



Beim Reinigen muss die Akkuladebuchse fest verschlossen sein, da Sie sonst einen Stromschlag erleiden und den Roller ernsthaft beschädigen können. Waschen Sie Ihren Roller nicht unter Hochdruck oder tauchen Sie sie in Wasser – dies kann zu irreparablen Schäden an der Maschine führen.

Akkuwartung

Der Akku ist das wichtigste Element, der zu warten ist. Um die Lebensdauer zu verlängern, befolgen Sie die folgenden Anweisungen:

- Lesen und befolgen Sie die Hinweise zur Akkuetikettierung.
- Die beste Lagertemperatur für den Akku beträgt 10 Grad. Lagern Sie die Batterie nicht bei Temperaturen unter -10 Grad oder über 35 Grad.
- Wenn die Umgebungstemperatur unter 0 Grad liegt, laden Sie den Akku nicht auf, sondern bringen den Akku an einen Ort, an dem die Temperatur über 10 Grad liegt, warten Sie einen Weile und beginnen erst dann mit dem Laden des Akkus.
- Bewahren Sie den Akku an einem kühlen, trockenen Ort auf. An einem sehr feuchten Ort kann es zu Kondensation von Wasserdampf im Inneren des Akkus kommen, was zu einer schnellen Beschädigung des Akkus führen kann.
- Wenn auf dem Display ein niedriger Akkuladestand angezeigt wird, schließen Sie den zu ladenden Akku an. Versuchen Sie, den Akku nicht vollständig leerzufahren. Laden Sie den Akku vor Fahrtantritt vollständig auf. Durch häufiges Laden wird der Akku nicht beschädigt. Im Gegenteil, die langfristige Lagerung eines ungeladenen Akkus kann seine Lebensdauer verkürzen

Funktionen und Spezifikation

- Motor: 350W
- Akku: 36 V 5.0 AH
- Auswechselbarer Akku
- Maximale Geschwindigkeit: 25 km / h (3-stufige Geschwindigkeitsregelung)
- Reichweite: bis zu 20 km (je nach Belastung und Geländebeschaffenheit)
- Maximale Belastung: 120 kg
- Steigung: 15-20 Grad
- Tempomat-Funktion
- Hintere Bremse - Scheibenbremse, Zusatzbremse (Fußbremse)
- 8.5" aufblasbare Räder
- LED-Frontlicht und LED-Rücklicht
- LCD-Anzeige mit Anzeige der Geschwindigkeit und des Akku-Ladestandes
- Klingel
- Einfacher Klappmechanismus
- Ladestrom: 42 V 2 A
- Ladezeit: 2 Stunden
- Abmessungen: 1056x420x450/1186 mm (zusammengeklappt/aufgeklappt)
- Nettogewicht: 13,5 kg

Technische Daten für das Netzteil:

Eingangsspannung: 110-240 V~50/60 Hz

Max. Eingangsstrom: 2.5 A

Ausgangsspannung: 42 V

Max. Ausgangsstrom: 2 A

Zasady bezpieczeństwa

- Zapoznaj się i przestrzegaj lokalnych przepisów ruchu drogowego.
- Zawsze noś atestowany kask oraz inne elementy ochraniające łokcie, kolana i nadgarstki.
- Sprawdź stan naładowania akumulatora po włączeniu hulajnogi elektrycznej. Jeśli stan naładowania akumulatora jest niższy niż 25%, nie wybieraj się na dłuższą przejażdżkę.
- Sprawdź wygląd zewnętrzny i stan techniczny hulajnogi elektrycznej. Zwróć szczególną uwagę, czy którekolwiek elementy nie są poluzowane i czy urządzenie nie wydaje niepokojących dźwięków.
- Użytkownik powinien być zdrowy, wyspany, powinien być trzeźwy i nie przyjmować przed jazdą żadnych leków uspokajających i psychotropowych.
- Pamiętaj, że podczas jazdy jesteś o 7 cm wyższy dlatego uważaj podczas przejazdu przez drzwi, uważaj na znaki, gałęzie oraz inne górne przeszkody, aby chronić głowę przed urazem.
- Niniejszy sprzęt może być użytkowany przez dzieci w wieku co najmniej 12 lat i przez osoby o obniżonych możliwościach fizycznych, umysłowych i osoby o braku doświadczenia i znajomości sprzętu, jeżeli zapewniony zostanie nadzór lub instruktaż odnośnie użytkowania sprzętu w bezpieczny sposób, tak aby związane z tym zagrożenia były zrozumiałe. Dzieci nie powinny bawić się sprzętem. Dzieci bez nadzoru nie powinny wykonywać czyszczenia i konserwacji sprzętu.
- Używaj tylko oryginalnych akcesoriów do urządzenia lub rekomendowanych przez producenta. Używanie akcesoriów nierekomendowanych przez producenta może doprowadzić do uszkodzenia urządzenia oraz zagrozić bezpieczeństwu użytkownika.

- Zasilacz należy podłączyć wyłącznie do gniazdka o charakterystyce zgodnej z wartościami na tabliczce znamionowej.
- Jeśli przewód lub wtyczka zasilacza są uszkodzone bądź wtyczka jest luźna w gniazdku elektrycznym, nie ładuj urządzenia oraz nie zasilaj go z sieci
- Odłączaj zasilacz od gniazdka elektrycznego, gdy nie jest on używany.
- Nigdy nie zanurzaj zasilacza w wodzie lub innych cieczach.
- Nie podłączaj oraz nie odłączaj zasilacza od źródła zasilania mokrymi rękami.

Całkowicie zabronione

- Nie wolno jeździć hulajnogą w strefach zakazanych przez prawo lokalne lub krajowe.
- Zabronione jest poruszanie się po zboczach, których kąt nachylenia przekracza 17 stopni, nie wjeżdżaj w kałuże lub zbiorniki wodne, których głębokość jest większa niż 5cm.
- Nie wolno jeździć hulajnogą po schodach.
- Nie wolno jeździć po drogach przeznaczonych dla samochodów, poboczach a także drogach, na których obowiązuje zakaz poruszania się.
- Zabronione jest poruszanie się na hulajnodze w kilka osób a także przewożenie dzieci, również w odpowiednich nosidłach.
- Zabronione jest poruszanie się na hulajnodze bez trzymania kierownicy.
- Zabronione jest samodzielne poruszanie się na hulajnodze dzieciom poniżej 12 lat oraz osobom w wieku powyżej 60 lat. Podczas jazdy muszą takim osobom towarzyszyć inni członkowie rodziny lub opiekunowie. Zabroniona jest jazda na hulajnodze kobietom w ciąży, osobom nietrzeźwym, z zaburzeniami psychicznymi oraz osobom niepełnosprawnym z ograniczoną zdolnością kierowania.

- Nie wolno jeździć na hulajnodze w miejscach niebezpiecznych i zagrożonych pożarem lub wybuchem.
- Nie wolno wykonywać połączeń telefonicznych podczas prowadzenia hulajnogi.
- Unikaj jazdy podczas złych warunków atmosferycznych, takich jak ulewny deszcz, śnieg, silny wiatr oraz po oblodzonej, śliskiej lub błotnistej drodze.

UWAGI PRZED ROZPOCZĘCIEM JAZDY!

- Niniejsza hulajnoga posiada zamontowany w przednim kole silnik elektryczny. Należy pamiętać, że poruszanie się hulajnogą w deszczu lub po mokrej nawierzchni, może spowodować zamoczenie a w konsekwencji uszkodzenie silnika. Usterka ta nie jest objęta gwarancją.
- Maksymalny zasięg hulajnogi uzależniony jest od wielu różnych czynników, między innymi takich jak: waga użytkownika, nawierzchnia po jakiej porusza się hulajnoga, ukształtowanie terenu, styl i tryb jazdy, warunki atmosferyczne oraz odpowiedni poziom ciśnienia powietrza w kołach.
- Należy również pamiętać, że z biegiem czasu sprawność akumulatora spada. Jest to naturalny proces i nie należy go traktować jako usterkę.



- Hulajnoga posiada pompowane koła bezdętkowe, które dzięki odpowiedniemu ciśnieniu powietrza w oponach tłumią drgania podczas jazdy.
- Należy regularnie kontrolować ciśnienie w oponach, zarówno w celu zapewnienia optymalnego komfortu jazdy, jak również uzyskania możliwie największego zasięgu na w pełni naładowanym akumulatorze. Hulajnoga posiada standardowe wentyle, dzięki którym możliwe jest pompowanie kół za pomocą ogólnodostępnych kompresorów. W zestawie dołączony jest również adapter ułatwiający napompowanie przedniego koła.
- Poruszanie się hulajnogą z niskim poziomem ciśnienia w oponach jest zabronione, ponieważ może grozić wypadkiem oraz spowodować trwałe uszkodzenie opony, które nie jest objęte gwarancją.

Prawidłowy zakres ciśnienia w oponach wynosi – 3-3,4 bar.

Instrukcja obsługi

Dziękujemy za zakup naszej hulajnogi elektrycznej BLAUPUNKT ESC808. Zapoznaj się z niniejszą instrukcją obsługi i zachowaj ją do późniejszego wykorzystania. Zawarte w instrukcji informacje pomogą Ci się zapoznać z poniższymi zagadnieniami:

- Podstawowa obsługa i nauka jazdy na hulajnodze elektrycznej.
- Bezpieczeństwo podczas jazdy na hulajnodze elektrycznej.
- Budowa i konserwacja hulajnogi elektrycznej.



Urządzenie jest zgodne z wymogami dyrektyw Unii Europejskiej:

- Urządzenia elektryczne niskonapięciowe - Low voltage directive (LVD)
- Kompatybilność elektromagnetyczna - Electromagnetic compatibility (EMC)

Wyrób oznaczony CE na tabliczce znamionowej



Jeśli na urządzeniu znajduje się znak przekreślonego kosza na śmieci, oznacza to, że produkt jest objęty postanowieniami dyrektywy europejskiej 2012/19/UE. Należy zapoznać się z wymaganiami dotyczącymi lokalnego systemu zbiórki odpadów elektrycznych i elektronicznych. Należy postępować zgodnie z lokalnymi przepisami. Nie wolno wyrzucać tego produktu razem ze zwykłymi odpadami domowymi. Prawidłowe usunięcie starego produktu zapobiegnie potencjalnym negatywnym skutkom dla środowiska naturalnego i zdrowia ludzkiego.

Szczegółowe informacje o najbliższym punkcie zbiórki można uzyskać bezpośrednio od sprzedawcy lub w firmie

Blaupunkt Competence Center, 2N-Everpol Sp. z o.o., ul. Puławska 403A, 02-801 Warszawa, tel. +48 22 331 9959, email: emobility@blaupunkt.pl



Urządzenie jest wyposażone w baterie objęte dyrektywą europejską 2006/66/WE. Baterii nie wolno wyrzucać razem z odpadami gospodarstwa domowego. Należy zapoznać się z lokalnymi przepisami dotyczącymi oddzielnej zbiórki baterii, ponieważ prawidłowa utylizacja zapobiegnie potencjalnym negatywnym skutkom dla środowiska naturalnego i zdrowia ludzkiego.

Informacje o ochronie środowiska naturalnego

Opakowanie zawiera tylko niezbędne elementy. Dołożono wszelkich starań, aby trzy materiały składowe opakowania były łatwe do oddzielenia: karton (pudełko), pianka polistyrenowa (zabezpieczenia wewnątrz) i polietylen (torebki, arkusz ochronny). Urządzenie wyprodukowano z materiałów, które można poddać recyklingowi i użyć ponownie po ich demontażu przez wyspecjalizowaną firmę. Należy przestrzegać lokalnych przepisów dotyczących utylizacji materiałów opakowaniowych, zużytych baterii i niepotrzebnych urządzeń.equipment.



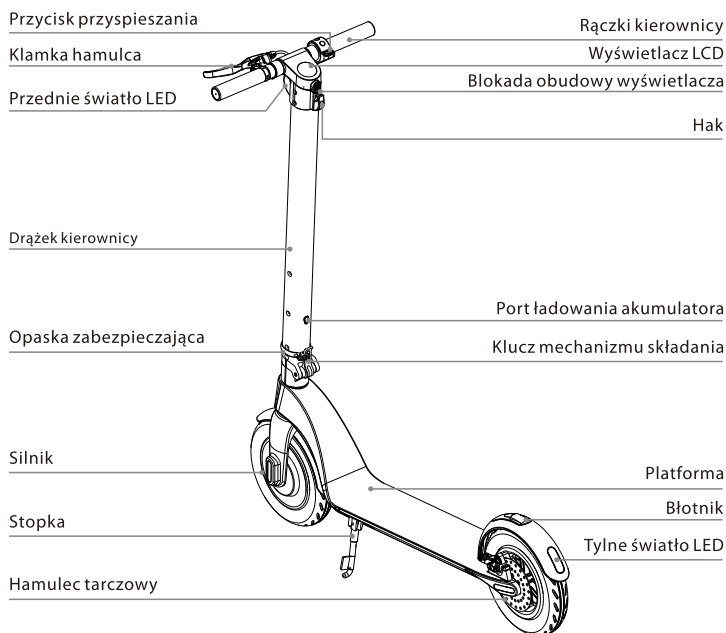
Produkt został wyprodukowany z wysokiej jakości materiałów i podzespołów, które można poddać recyklingowi i ponownie użyć.

Główne cechy hulajnogi elektrycznej:

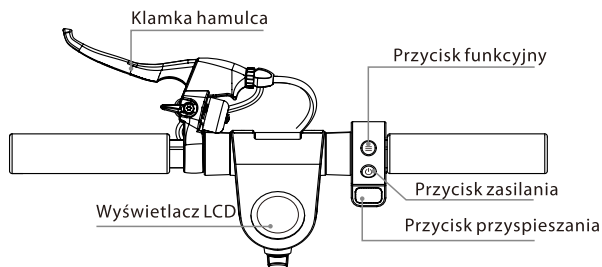
Blaupunkt ESC808 to innowacyjna, składana hulajnoga elektryczna. Użytkownik może stać na platformie hulajnogi i regulować prędkość za pomocą odpowiedniej manetki umieszczonej na kierownicy.

- Przednie i tylne koła są symetryczne, napęd na przednie koło zapewnia większe bezpieczeństwo poruszania się. 8.5" pompowane koła zwiększają komfort jazdy.
- Hamulec tarczowy uruchamiany za pomocą klamki na kierownicy oraz tylny hamulec nożny zapewniają najkrótszą drogę hamowania, i mogą lepiej chronić kierującego.
- W urządzeniu zastosowano akumulator litowo-jonowy, maksymalny prąd rozładowania wynosi więcej niż 10A, wysoka moc bez efektu pamięci ładowania, brak zanieczyszczeń.
- Całkowity ciężar urządzenia to 13,5kg. Składana konstrukcja z jednym kluczem jest gwarancją wygody przenoszenia i przechowywania.

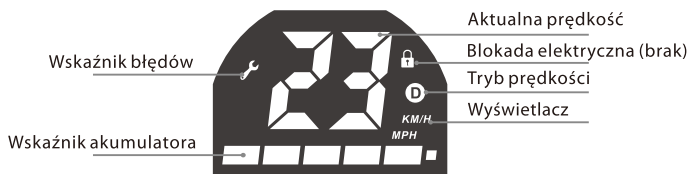
Budowa hulajnogi elektrycznej:



Budowa układu sterowania



Budowa wyświetlacza LCD



Opis przycisków/funkcji:

1. Przycisk zasilania: długo naciśnij przycisk zasilania, aby włączyć / wyłączyć zasilanie;
2. Przycisk przyspieszania: naciśnij prawy przycisk przyspieszenia, aby rozpocząć jazdę i przyspieszyć;
3. Hamulec: przytrzymaj klamkę hamulca, aby zahamować. Lekko naciśnij tylny błotnik, aby wspomóc hamowanie; (podczas hamowania tylne światło LED miga)
4. Przycisk funkcyjny: krótko naciśnij przycisk funkcyjny, aby wybrać tryb prędkości:
 - a. Tryb dla początkujących: brak ikony „D”
 - b. Tryb normalny: ikona „D” podświetla się na biało
 - c. Tryb sportowy: ikona „D” podświetla się na czerwono
5. Oświetlenie LED: Naciśnij dwukrotnie przycisk funkcyjny, aby włączyć przednie i tylne światła LED; ponownie dwukrotnie naciśnij przycisk funkcyjny, aby wyłączyć światła LED.
6. Tryb tempomatu: utrzymuj aktualną prędkość przez około 6 sekund, aby włączyć tryb tempomatu; naciśnij przycisk przyspieszania lub naciśnij klamkę hamulca aby wyłączyć funkcję tempomatu

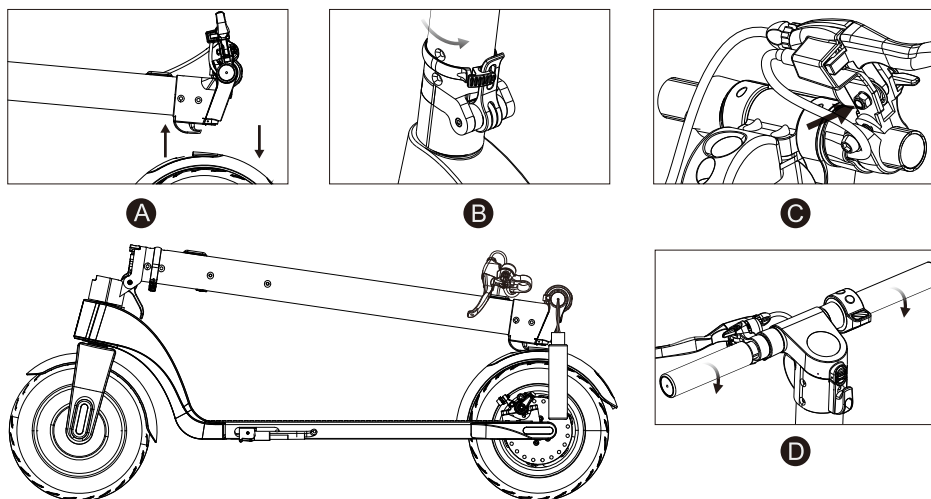
Rozpakowanie

Po otwarciu kartonowego opakowania, najpierw wyjmij hulajnogę i sprawdź czy wszystkie elementy są kompletne. Jeżeli czegokolwiek brakuje skontaktuj się ze sprzedawcą. Należy sprawdzić stan urządzenia i jego wygląd zewnętrzny, czy system składania jest odpowiednio stabilny, czy platforma nie posiada pęknięć. Sprawdź również czy ekran wyświetlacza nie jest uszkodzony.

Montaż

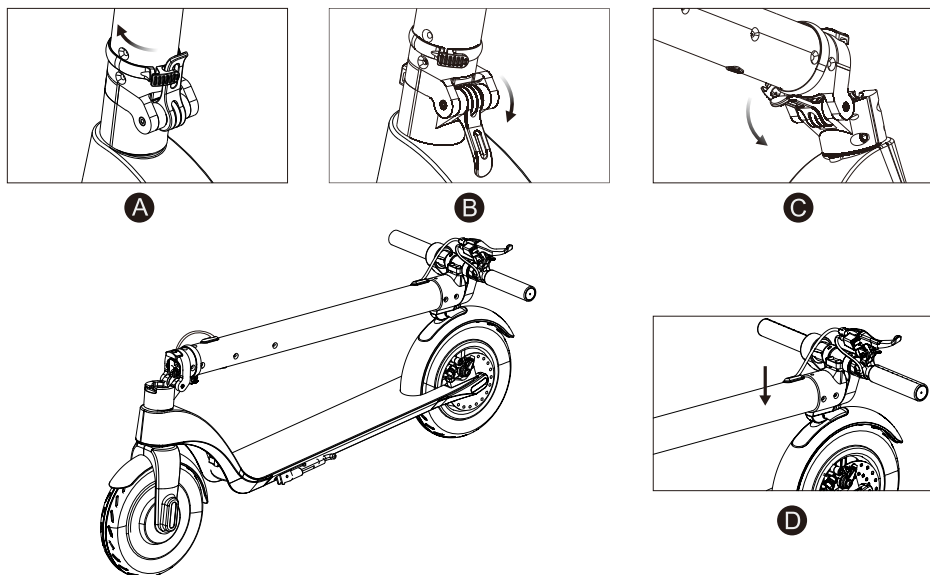
Po rozpakowaniu i sprawdzeniu stanu wszystkich elementów można przystąpić do montażu hulajnogi. Postępuj zgodnie z poniższymi instrukcjami obrazkowymi:

1. Rozkładanie



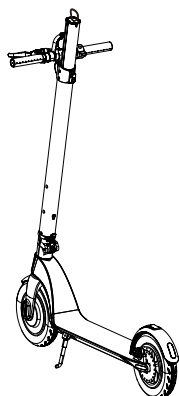
- A. Naciśnij tylny błotnik, aby zwolnić blokadę i podnieść drążek kierownicy do pozycji pionowej;
- B. Zablokuj mechanizm składania podnosząc klucz maksymalnie do góry, zabezpiecz klucz przed samoczynnym odblokowaniem, przekręcając opaskę zabezpieczającą maksymalnie w prawo.
- C. Zamocuj korpus hamulca używając sześciokątnej klucza M6
- D. Dokręć rączki kierownicy (zwróć uwagę na kierunek dokręcania)

2. Składanie

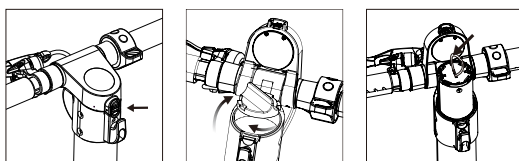


- A. Przekręć opaskę zabezpieczającą klucz w lewo;
- B. Naciśnij klucz mechanizmu składania maksymalnie do dołu;
- C. Delikatnie złoż drążek kierownicy pociągając go w dół;
- D. Przybliż hak zamocowany na drążku kierownicy do otworu w tylnym błotniku i dociśnij w celu zablokowania;

3. Montaż / demontaż akumulatora



Montaż

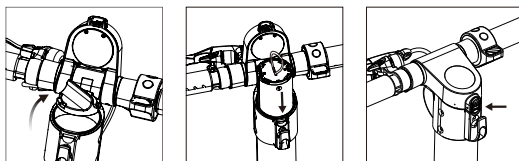


A

B

C

Demontaż



A

B

C

Montaż akumulatora:

- A. Naciśnij przycisk blokady obudowy wyświetlacza znajdujący się nad hakiem i unieś obudowę do góry;
- B. Przekręć pokrywę akumulatora w lewo i wyjmij ją;
- C. Włóż akumulator do otworu w drążku kierownicy i zakręć pokrywę, przekręcając ją w prawo;

Demontaż akumulatora

- A. Otwórz obudowę wyświetlacza naciskając przycisk nad hakiem i odkręć pokrywę akumulatora
- B. Pociągnij akumulator za kolorowy sznurek i wyjmij go;
- C. Zakręć pokrywę akumulatora i opuść obudowę wyświetlacza;

UWAGA!

Po wyjęciu akumulatora istnieje możliwość naładowania go za pomocą dostarczonego zasilacza.



Nie wolno ładować akumulatora podczas przenoszenia, składania, czyszczenia czy konserwacji hulajnogi.

Przewodnik bezpiecznej jazdy

Treść tego rozdziału jest bardzo ważna, przeczytaj ją uważnie i przestrzegaj wszystkich zasad i procedur bezpieczeństwa. Nasza firma nie ponosi odpowiedzialności za jakiegokolwiek wypadki, które skutkują stratami majątkowymi lub utratą zdrowia z powodu naruszenia niniejszego przewodnika bezpiecznej jazdy.

Hulajnoga elektryczna to narzędzie do rozrywki ale również środek transportu. Zachowanie odpowiednich zasad bezpieczeństwa podczas jazdy może uchronić Ciebie i innych przed wypadkiem. Należy pamiętać, że używanie hulajnogi w terenie i na drogach publicznych wiąże się z ryzykiem kolizji spowodowanych przez innych uczestników ruchu, nawet jeśli dostosujesz się do wszystkich zasad bezpieczeństwa. Bardzo ważne jest, aby zachować odpowiednią odległość od innych uczestników ruchu oraz innych pojazdów.

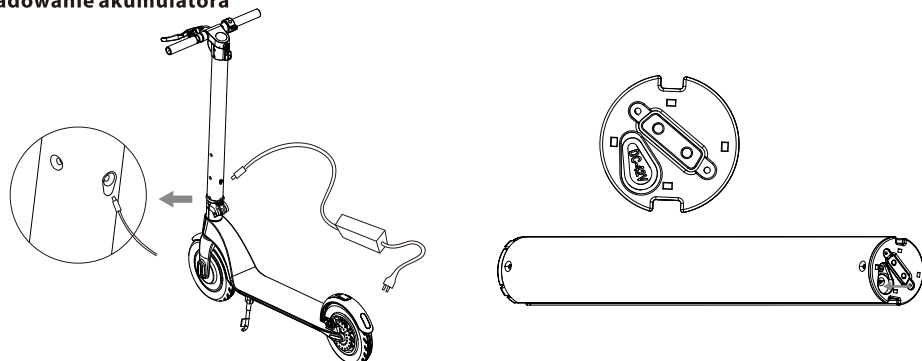
Poruszanie się na hulajnodze

- Podczas poruszania się na hulajnodze należy przestrzegać lokalnych przepisów ruchu drogowego. Należy prowadzić hulajnogę rozważnie i spokojnie zwracając uwagę na innych ludzi i przedmioty, aby uniknąć kolizji.
- Poruszaj się na hulajnodze w bezpieczny sposób przy zachowaniu kontrolowanej prędkości oraz odpowiedniej odległości od pieszych i innych pojazdów. Bądź gotowy do zatrzymania się w każdym momencie. Unikaj nagłego przyspieszania i gwałtownego hamowania.
- Poruszając się po chodniku szanuj prawa pieszych, ustępuj im podczas przechodzenia przez pasy, nie strasz przechodniów w szczególności dzieci.
- Należy dostosować prędkość poruszania się na hulajnodze do innych użytkowników drogi w miejscach zatłoczonych. Jeśli chcesz wyprzedzić grupę pieszych upewnij się, że masz wystarczająco dużo miejsca i wykonasz ten manewr w sposób bezpieczny. Poruszanie się w tłumie z dużą prędkością jest bardzo niebezpieczne.
- Nie należy parkować hulajnogi w miejscu, które będzie utrudniało poruszanie się pieszym.
- Podczas poruszania się hulajnogą należy być rozluźnionym, mieć delikatnie ugięte kolana i uniesioną głowę.



W przypadku nagłego przyspieszania lub gwałtownego hamowania podczas jazdy z dużą prędkością kierujący bardzo łatwo może stracić równowagę i ostatecznie doprowadzić do wypadku. Staraj się unikać takich sytuacji.

Ładowanie akumulatora



- Należy upewnić się, że gniazdko elektryczne jest suche.
- Gdy ładowanie odbywa się na zamontowanym w hulajnodze akumulatorze, należy otworzyć zaślepkę gniazda ładowania akumulatora, która znajduje się na drążku kierownicy, tuż nad mechanizmem składania hulajnoggi. Gdy ładowanie odbywa się na zdemontowanym akumulatorze, należy otworzyć zaślepkę gniazda ładowania, która znajduje się w dolnej jego części.
- Podłącz wtyczkę zasilacza do źródła zasilania, sprawdź, czy zielona lampka ładowarki świeci normalnie, włóż drugą wtyczkę zasilacza do gniazda ładowania akumulatora hulajnoggi.
- Gdy czerwona lampka kontrolna w zasilaczu świeci, oznacza to poprawne ładowanie akumulatora, w przeciwnym razie sprawdź wszystkie połączenia kabli.
- Gdy czerwona lampka kontrolna zmieni kolor na zielony, oznacza to pełne naładowanie akumulatora. Odłącz zasilacz od źródła zasilania. Długotrwałe ładowanie może skrócić żywotność baterii.
- Postępuj zgodnie z zaleceniami dotyczącymi ładowania akumulatora, w przeciwnym razie spowoduje to uszkodzenie akumulatora i skróci jego żywotność.
- Czas ładowania akumulatora hulajnoggi wynosi około 2 godzin. Producent nie może zagwarantować takiego samego czasu ładowania i działania akumulatora ze względu na jego zużywanie się.
- Należy zapewnić czyste i suche warunki podczas ładowania akumulatora
- Nie ładuj akumulatora, gdy gniazdo zasilania jest mokre.

Pierwsza jazda

Przygotowanie

- Wybierz właściwe miejsce. To miejsce może być wewnątrz lub na zewnątrz, musi mieć powierzchnię 10 x 10 metrów (około 100 metrów kwadratowych). Miejsce powinno być płaskie, nie mokre i śliskie, bez przeszkód, bez pojazdów, dzieci, zwierząt domowych lub jakichkolwiek innych rzeczy, które mogłyby odwrócić twoją uwagę.
- Zapoznaj się dokładnie z niniejszą instrukcją, jeśli masz taką możliwość skorzystaj z porad osoby bardziej doświadczonej w zakresie bezpiecznej jazdy.
- Noś kask oraz ochraniacze w celu uniknięcia możliwych obrażeń. Przenieś hulajnogę na środek miejsca, po którym będziesz się poruszał i zapoznaj się z obszarem.

Uruchomienie

- Naciśnij i przytrzymaj przycisk POWER przez 2 sekundy aby włączyć hulajnogę; Następnie wybierz jeden z trzech trybów prędkości.
- Postaw jedną nogę na platformie, drugą nogą odepchnij się wprawiając hulajnogę w ruch;
- Postaw drugą nogę na platformie i staraj się utrzymać równowagę;
- Kciukiem prawej ręki naciśnij przycisk przyspieszania, nie jedź zbyt szybko;
- Naciśnij klamkę hamulca lewą ręką aby zahamować, delikatnie naciśnij tylny błotnik, aby wspomóc hamowanie;
- Gdy hulajnogę porusza się z niewielką prędkością lub całkowicie zatrzyma się można zejść z platformy;
- Aby ostrzec innych użytkowników w miejscu, w którym się poruszasz, użyj dzwonka zamontowanego przy klamce hamulca;

Czyszczenie i przechowywanie

- Wyczyść hulajnogę po każdej jeździe.
- Jeśli gumowane powierzchnie mają trudne do czyszczenia zabrudzenia, użyj szczoteczki do zębów i pasty do zębów, a następnie wyczyść te miejsca miękką szmatką. Ta metoda może również usunąć niewielkie zarysowania.
- Przechowuj hulajnogę w pomieszczeniach zamkniętych, w chłodnych i suchych miejscach. Nie wystawiaj hulajnogi na długotrwałe działanie promieni słonecznych.



Podczas czyszczenia gniazdo ładowania akumulatora musi być szczelnie zamknięte, w przeciwnym razie możesz zostać porażony prądem i poważnie uszkodzić hulajnogę. Nie wolno myć hulajnogi pod strumieniem wody o wysokim ciśnieniu ani zanurzać jej w wodzie – może to spowodować nieodwracalne zniszczenie urządzenia.

Konserwacja akumulatora

Akumulator jest najważniejszą częścią do utrzymania. Aby przedłużyć jego żywotność, postępuj zgodnie z poniższymi instrukcjami:

- Przeczytaj i postępuj zgodnie z uwagami dotyczącymi oznaczenia baterii.
- Najlepsza temperatura przechowywania akumulatora wynosi 0 stopni. Nie należy przechowywać akumulatora w temperaturze niższej niż -10 stopni lub wyższej niż 35 stopni.
- Jeśli temperatura otoczenia jest niższa niż 0 stopni nie ładuj akumulatora, przenieś akumulator w miejsce, gdzie temperatura będzie wyższa, niż 10 stopni, odczekaj chwilę i dopiero zacznij ładować akumulator.
- Przechowuj akumulator w pomieszczeniu, w chłodnym i suchym miejscu. Bardzo wilgotne miejsce może spowodować kondensację pary wodnej wewnątrz akumulatora, co może szybko uszkodzić akumulator.
- Gdy na wyświetlaczu wyświetlany jest niski poziom stanu naładowania akumulatora należy go podłączyć do ładowania. Staraj się nie dopuścić do całkowitego rozładowania akumulatora. Proszę naładować akumulator do pełna przed rozpoczęciem jazdy. Częste ładowanie nie uszkodzi akumulatora. Wręcz przeciwnie, długotrwałe przechowywanie nienaładowanego akumulatora może skrócić jego żywotność.

Funkcje i specyfikacja

- Silnik: 350 W
- Akumulator: 36 V 5.0 Ah
- Akumulator wymienny
- Maksymalna prędkość: 25 km/h (3 stopniowa regulacja prędkości)
- Zasięg: do 20 km (w zależności od obciążenia i rodzaju nawierzchni)
- Maksymalne obciążenie: 120 kg
- Nachylenie podjazdu: 15-20 stopni
- Funkcja tempomatu
- Hamulec tylny – tarczowy, hamulec wspomagający (nożny)
- 8.5 " koła pompowane
- Przednie i tylne światło LED
- Wyświetlacz LCD pokazujący prędkość i stan naładowania akumulatora
- Dzwonek ostrzegawczy
- Łatwy mechanizm składania
- Prąd ładowania: 42 V 2 A
- Czas ładowania: 2 godziny
- Wymiary: 1056x420x450/1186 mm (złożona/rozłożona)
- Waga netto: 13,5 kg

Dane techniczne zasilacza:

Napięcie wejściowe: 110-240 V~50/60 Hz

Max. natężenie wejściowe: 2.5 A

Napięcie wyjściowe: 42 V

Max. natężenie wyjściowe: 2.0 A

Bezpečnostní pravidla

- Informujte se a dodržujte dopravní předpisy místní komunikace.
- Vždy noste schválenou přilbu a chrániče kolen a zápěstí.
- Před použitím zkontrolujte stav nabití baterie. Je-li stav baterie nižší než 25%, nejezděte na delší vzdálenost.
- Zkontrolujte vzhled a stav vaší koloběžky. Ujistěte se, že žádné součásti nejsou uvolněné a že koloběžka nevydává abnormální zvuky.
- Uživatel by měl být zdravý, odpočinutý, střízlivý a neměl by před jízdou požívat sedativa nebo psychotropné léky.
- Nezapomeňte, že jste při jízdě o 7 cm vyšší, opatrně při jízdě dveřmi, dejte si pozor na značky, větve a další překážky ve výši hlavy. Chraňte hlavu před zraněním.
- Toto zařízení můžou využívat děti ve věku 12 let a více za předpokladu, že je zajištěn dohled. Lidé se sníženou fyzickou nebo duševní schopností, stejně jako lidé bez předchozí zkušenosti s používáním tohoto zařízení musí být pod dohledem a informováni o rizicích. Děti by si se zařízením neměly hrát. Dětem bez dozoru by nemělo být dovoleno provádět čištění a údržbu zařízení.
- Používejte pouze originální příslušenství, stejně jako příslušenství doporučené výrobcem. Použití příslušenství, které neodpovídá požadavkům, může vést k poškození zařízení a následně může být při používání nebezpečné.
- Síťový adaptér by měl být připojen k zásuvce s parametry shodnými s hodnotami uvedenými na informačním štítku.
- Pokud je poškozen kabel nebo zástrčka, zařízení nenabíjejte.
- Pokud se zařízení nepoužívá, odpojte síťový adaptér od elektrické zásuvky.
- Nepřipojujte ani neodpojujte napájecí adaptér s mokkými rukama.

Úplně zakázáno

- Nejezděte v místech zakázaných místními zákony.
- Je zakázáno se pohybovat na svazích, jejichž úhel sklonu přesahuje 17 stupňů, nejezděte přes kaluže ani vodu s hloubkou přesahující 5 cm.
- Nejezděte po schodech.
- Je zakázáno jezdit na silnicích určených pro automobily, nebo silnicích, na kterých je zakázáno jezdit.
- Je zakázáno převážet více osob současně, a to i pod hmotnostním limitem.
- Je zakázáno se pohybovat na skútru bez držení řídítka.
- Je zakázáno dětem mladším 12 let nebo osobám starším 60 let jezdit na koloběžce bez dozoru jiných členů rodiny, nebo opatrovníků. Je zakázáno jezdit na koloběžce těhotným ženám, lidem v opilosti, lidem s duševními poruchami nebo osobám se zdravotním postižením s omezenými schopnostmi řízení.
- Nejezděte v nebezpečných nebo výbušných místech.
- Při jízdě na koloběžce netelefonujte.
- Vyhněte se jízdě za nepříznivého počasí, jako je silný déšť, sníh, silný vítr a na ledových, kluzkých nebo blátivých cestách.

UPOZORNĚNÍ PŘED PRVNÍ JÍZDOU!

- Tato koloběžka má v předním kole zabudovaný elektrický motor. Je třeba pamatovat na to, že jízda na koloběžce v dešti nebo na mokré vozovce může způsobit její namočení a následně poškození motoru. Na tuto poruchu se nevztahuje záruka.
- Maximální dojezd koloběžky závisí na mnoha různých faktorech, jako jsou: hmotnost uživatele, povrch, na kterém se koloběžka pohybuje, tvar terénu, styl a režim jízdy, atmosférické podmínky a odpovídající úroveň tlaku vzduchu v kolech.
- Musíme myslet také na to, že s postupem času účinnost baterie klesá. Je to přirozený proces a nelze ho považovat za závadu.



- Koloběžka má huštěná bezdušová kola, která díky příslušnému tlaku vzduchu v pneumatikách tlumí otřesy při jízdě.
- Je třeba pravidelně kontrolovat tlak v pneumatikách, jednak pro zajištění optimálního jízdního komfortu, jednak pro co do nejdelší dojezd na plně nabitou baterii. Pneumatiky koloběžky mají standardní ventily, díky nim je možné kola hustit všeobecně dostupnými kompresory. V soupravě je rovněž adaptér usnadňující huštění předního kola.
- Je zakázáno jezdit na koloběžce s nízkou hladinou tlaku v pneumatikách, protože to může způsobit nehodu nebo trvalé poškození pneumatiky, na které se nevztahuje záruka.

Správný rozsah tlaku v pneumatikách je 3 - 3,4 bar.

Návod k obsluze:

Děkujeme za zakoupení elektrické koloběžky BLAUPUNKT ESC808. Přečtěte si prosím tento návod a uschovejte jej pro budoucí použití. Informace obsažené v této příručce vám pomohou seznámit se s následujícími problémy:

- Základní provoz a učení, jak řídit elektrický skútr.
- Bezpečnost při jízdě na elektrické koloběžce.
- Konstrukce a údržba elektrického skútru.



Přístroj splňuje požadavky následujících směrnic Evropské unie:

- Nízkonapěťová elektrická zařízení - směrnice pro nízké napětí (LVD)
- Elektromagnetická kompatibilita (EMC)

Výrobek je označen značkou CE na typovém štítku



Pokud se na spotřebiči objeví symbol přeškrtnuté nádoby na odpadky, znamená to, že na výrobek se vztahuje evropská směrnice 2012/19 / EU. Seznamte se s požadavky místního systému sběru elektrických a elektronických odpadů. Dodržujte místní předpisy. Nevyhazujte tento výrobek do domácího odpadu. Správná likvidace starého výrobku zabrání možným negativním dopadům na životní prostředí a lidské zdraví.



Přístroj je vybaven bateriemi, na něž se vztahuje evropská směrnice 2006/66 / ES. Nevyhazujte baterie do domácího odpadu. Dodržujte prosím místní předpisy pro oddělený sběr baterií, protože řádná likvidace zabrání možným negativním dopadům na životní prostředí a lidské zdraví.

Informace o ochraně životního prostředí

Balení obsahuje pouze potřebné prvky. Každý obal byl vyroben tak, aby se zajistilo snadné oddělení tří obalových materiálů: lepenka (krabice), polystyrénová pěna (vnitřní ochrana) a polyethylen (sáčky, ochranné fólie). Zařízení je vyrobeno z recyklovatelných materiálů a po jeho demontáži může být opět použito specializovanou firmou. Dodržujte místní předpisy pro likvidaci obalových materiálů, odpadních baterií a nepotřebných zařízení.



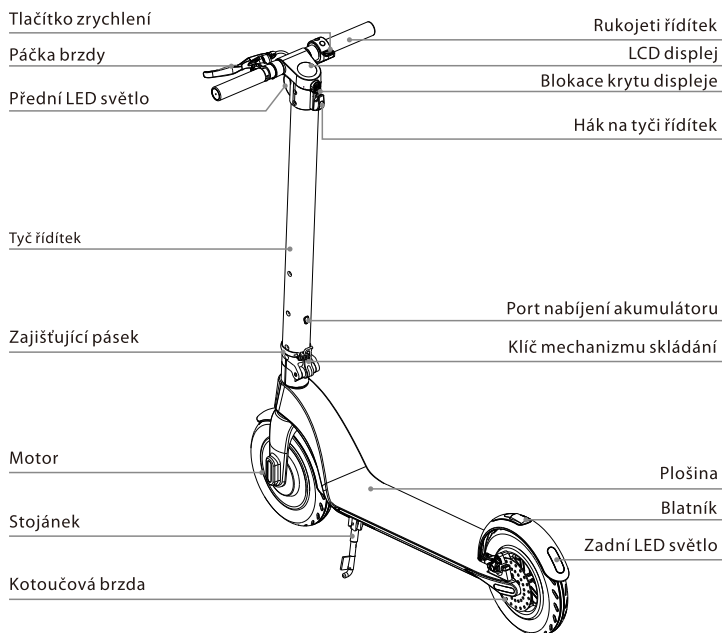
Výrobek je vyroben z vysoce kvalitních materiálů a součástí, které lze recyklovat a znovu použít.

Hlavní rysy elektrické koloběžky:

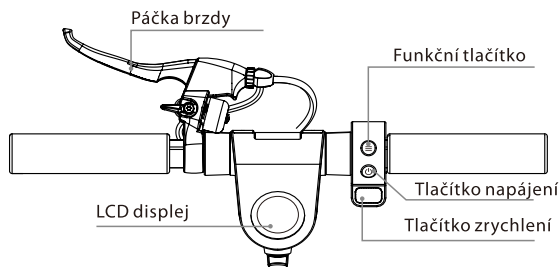
Blaupunkt ESC808 je inovativní skládací elektrická koloběžka. Uživatel může stát na plošině koloběžky a nastavit rychlost pomocí příslušného ovladače na řídkách.

- Přední a zadní kola jsou symetrická a pohon předního kola zajišťuje snadnější pohyblivost a bezpečnost. 8.5" huštěné pneumatiky zvyšují komfort jízdy.
- Kotoučová brzda, která se uvádí do provozu páčkou na řídkách, a zadní nožní brzda zajišťují nejkratší brzdnu dráhu a mohou lépe chránit jezdce.
- Příklad používá lithium-iontovou baterii, maximální vybíjecí proud je vyšší než 10A, vysoký výkon bez paměťového efektu, bez kontaminace.
- Celková hmotnost přístroje je pouze 13,5 kg. Skládací design s jednou pojistkou zajišťuje snadné ovládání, manipulaci a skladování.

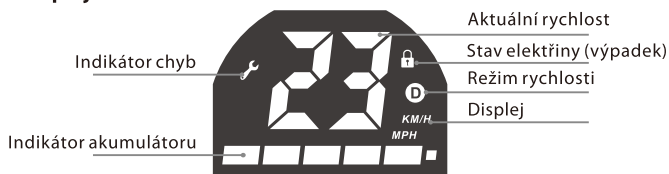
Design elektrické koloběžky:



Konstrukce mechanismu řízení



Konstrukce LCD displeje



Popis tlačítek/funkcí:

1. Tlačítko napájení: pro zapnutí/vypnutí napájení tlačítko dlouze stiskněte;
2. Tlačítko zrychlení: pro zahájení jízdy a zrychlení stiskněte pravé tlačítko zrychlení;
3. Brzda: pro zabrzdění stlačte páčku brzdy. Lehce stiskněte zadní blatník, pomůžete tak brzdění (po dobu brzdění bliká zadní LED světlo)
4. Funkční tlačítko: pro výběr režimu rychlosti tlačítko krátce stiskněte:
 - a. Režim pro začátečníky: ikona „D“ nesvíí
 - b. Normální režim: ikona „D“ je podsvětlená bíle
 - c. Sportovní režim: ikona „D“ je podsvětlená červeně
5. Osvětlení LED: Pro zapnutí předního a zadního LED světla dvakrát stiskněte funkční tlačítko, pro vypnutí světel LED znovu funkční tlačítko dvakrát stiskněte.
6. Režim tempomatu: Pro zapnutí tempomatu udržujte aktuální rychlost asi 6 sekund; pro vypnutí tempomatu stiskněte tlačítko zrychlení nebo páčku brzdy.

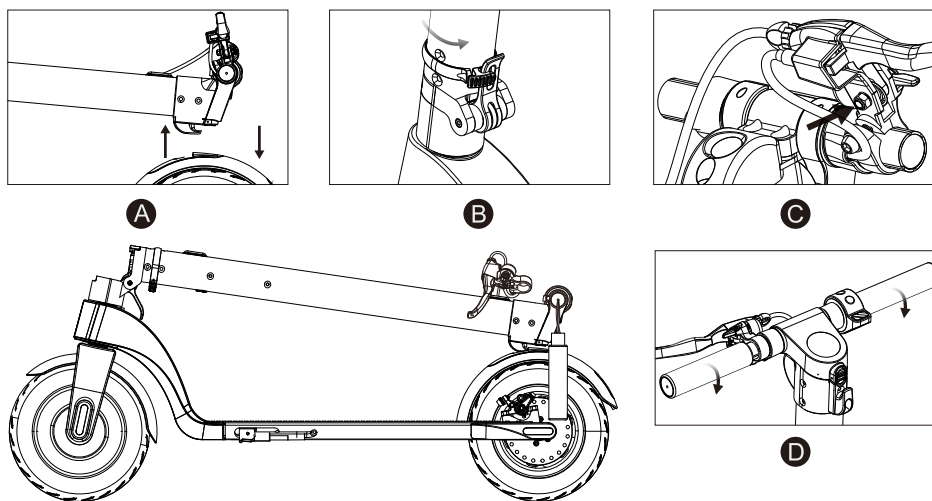
Rozbalení

Po otevření kartonové krabice nejdříve vyjměte koloběžku a ujistěte se, že všechny díly jsou kompletní. Pokud cokoli chybí, obraťte se na svého prodejce. Zkontrolujte stav přístroje a ověřte, že skládací systém je dostatečně stabilní a že plošina neobsahuje praskliny. Zkontrolujte také, zda displej není poškozen.

Instalace

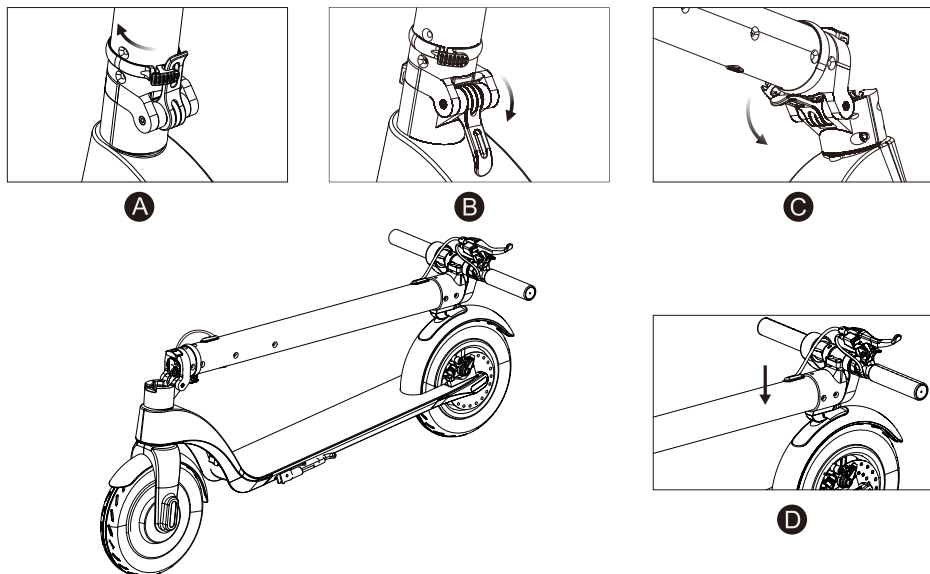
Po rozbalení a kontrole stavu všech součástí můžete začít s montáží skútru. Postupujte podle níže uvedeného obrázku:

1. Rozkládání



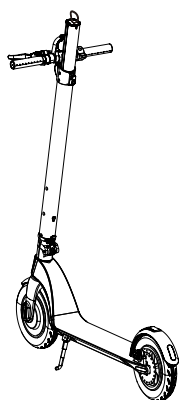
- A. Pro uvolnění blokády stiskněte zadní blatník a zvedněte tyč řízení do svislé polohy;
- B. Pro zablokování mechanismu skládání zvedněte klíč co nejvíce do výšky a před samočinným odblokováním ho zajistěte přetočením zabezpečujícího pásku co nejvíce doprava.
- C. Pomocí šestihranného klíče M6 namontujte těleso brzdy
- D. Utáhněte říditka (pozor na směr utahování)

2. Skládání

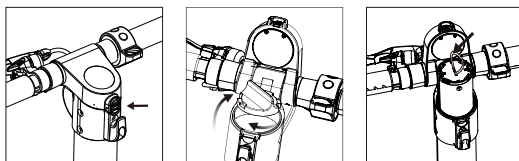


- A. Přetočte zabezpečující pásek klíče doleva;
- B. Klíč mechanismu skládání stiskněte co nejvíce dolů;
- C. Opatrně stáhněte tyč řízení dolů;
- D. Pro zajištění tyče řízení přiblížte hák na ní upevněný k otvoru v zadním blatníku a dotiskněte;

3. Montáž a demontáž akumulátoru



Montáž

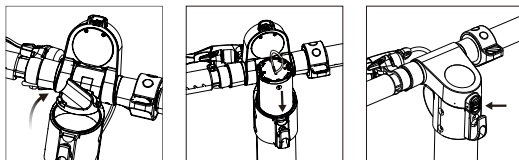


A

B

C

Demontáž



A

B

C

ČEŠTINA

Montáž akumulátoru:

- A. Stiskněte tlačítko blokády krytu displeje (nad hákem) a zvedněte kryt nahoru;
- B. Vyšroubujte kryt akumulátoru doleva a vyjměte ho;
- C. Vložte akumulátor do otvoru v tyči řízení a jeho kryt zašroubujte vpravo;

Demontáž akumulátoru

- A. Stisknutím tlačítka nad hákem otevřete kryt displeje a odšroubujte kryt akumulátoru
- B. Akumulátor vyjmete pomocí barevné šňůrky;
- C. Zašroubujte kryt akumulátoru a sklopte kryt displeje;

UPOZORNĚNÍ!

Po vyjmutí akumulátoru je možnost ho nabít pomocí nabíječky, která je součástí dodávky.



Během manipulace, čištění nebo údržby skútru nenabíjejte baterii.

Průvodce bezpečnou jízdou

Obsah této kapitoly je velmi důležitý, pečlivě si ji přečtěte a dodržujte všechna bezpečnostní pravidla a postupy. Naše společnost nezodpovídá za žádné nehody, které by vedly k poškození majetku nebo zdraví v důsledku porušení tohoto bezpečného průvodce.

Elektrická koloběžka je nejen zábavným nástrojem, ale také dopravním prostředkem. Při správných bezpečnostních opatřeních během jízdy můžete chránit vás i ostatní před nehodou. Vezměte prosím na vědomí, že používání koloběžky v terénu a na veřejných komunikacích může vést ke kolizím způsobeným jinými účastníky silničního provozu, i když dodržujete všechna bezpečnostní opatření. Je velmi důležité udržovat dostatečnou vzdálenost od ostatních účastníků silničního provozu a jiných vozidel.

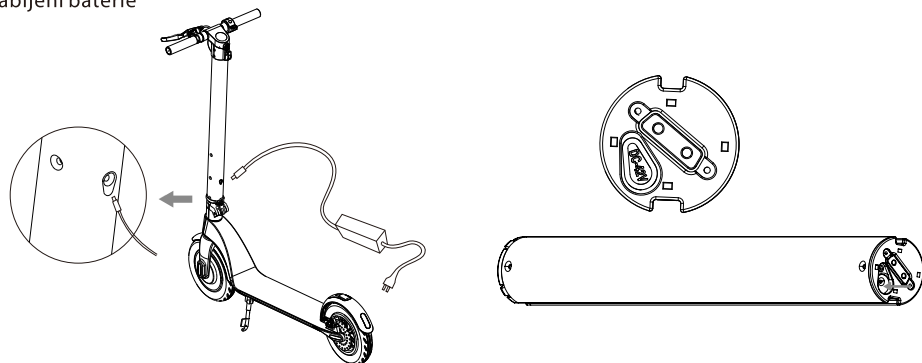
Jízda na koloběžce

- Při jízdě na koloběžce dodržujte místní předpisy pro silniční dopravu. Měli byste ji řídit pečlivě a klidně, věnovat pozornost ostatním lidem a předmětům, abyste se vyhnuli kolizím.
- Jezděte bezpečně s ustálenou rychlostí a v dostatečné vzdálenosti od chodců a vozidel. Buďte připraveni k zastavení kdykoli. Předcházejte náhlému zrychlení a brzdění.
- Při jízdě na chodníku respektujte práva chodců, dávejte jim přednost při změně pruhu, a nelekejte kolemjdoucí, zejména děti.
- Upravte rychlost koloběžky ostatním účastníkům silničního provozu v oblasti s hustším provozem. Chcete-li předjíždět skupinu chodců, ujistěte se, že máte dostatek místa a bezpečně je předejděte. Pohyb v davu vysokou rychlostí je velmi nebezpečný.
- Neparkujte koloběžku na místě, kterým bude těžké projít.
- Při jízdě na koloběžce byste měli být uvolnění, kolena mírně ohnutá a hlavu zvednutou.



V případě náhlého zrychlení nebo náhlého brzdění při jízdě vysokou rychlostí může řidič snadno ztratit rovnováhu a nakonec způsobit nehodu. Snažte se vyhnout takovým situacím.

Nabíjení baterie



- Ujistěte se, že je elektrická zásuvka suchá.
- Pokud nabíjíte akumulátor zamontovaný v koloběžce, je třeba otevřít zásepku zásuvky nabíjení, která se nachází na tyči řídicích nad mechanismem skládání koloběžky. Jestliže nabíjení probíhá na odmontovaném akumulátoru, je třeba otevřít zásepku nabíjecí zásuvky, která je v dolní části akumulátoru.
- Připojte adaptér do zdroje napájení (110 V ~ 240 V, 50 Hz ~ 60 Hz), ujistěte se, že zelená kontrolka nabíjení svítí, vložte druhou zástrčku adaptéru do nabíjecí zásuvky.
- Když se rozsvítí červená LED na napájecím zdroji, baterie se správně nabíjí, jinak zkontrolujte všechny kabelové přípojky.
- Když červené světlo změní barvu na zelenou, je baterie zcela nabitá. Odpojte napájecí zdroj od zdroje napájení. Dlouhodobé přebíjení může zkrátit životnost baterie.
- Dodržujte pokyny pro nabíjení baterie, jinak by došlo k poškození akumulátoru a zkrácení jeho životnosti.
- Doba nabíjení akumulátoru je asi 2 hodiny. Výrobce nemůže zaručit stejný čas nabíjení a provoz baterie kvůli opotřebení.
- Při nabíjení baterie zajistěte čisté a suché podmínky.
- Nenabíjejte baterii, pokud je síťová zásuvka mokrá.

První jízda

Příprava

- Vyberte požadované místo. Toto místo může být uvnitř i venku, musí mít plochu aspoň 10 x 10 metrů (asi 100 metrů čtverečních). Místo by mělo být rovné, ani mokré ani kluzké, bez překážek, bez vozidel, dětí, domácích zvířat nebo jiných věcí, které by vám mohly odvrátit pozornost.
- Přečtěte si pozorně tuto příručku, pokud máte možnost tak učinit, nechte si poradit od osoby, která je zkušenější v bezpečné jízdě.
- Noste helmu a chrániče, abyste zabránili možnému zranění. Přesuňte se s koloběžkou do středu oblasti, kde se budete pohybovat a seznamte se s oblastí.

Spuštění

- Pro zapnutí koloběžky stiskněte a přidržte tlačítko POWER po 2 sekundy; dále vyberte jeden ze tří režimů rychlosti.
- Jednou nohou se postavte na plošinu, druhou nohou se odrazte a uvedete tak koloběžku do pohybu;
- Postavte druhou nohu na plošinu a snažte se udržet rovnováhu;
- Pro zrychlení stiskněte palcem pravé ruky tlačítko zrychlení, nejezděte příliš rychle;
- Pro zabrzdění stiskněte levou rukou páčku brzdy a pomozte brzdění jemným stisknutím zadního blatníku;
- Z plošiny můžete sestoupit, když se koloběžka pohybuje malou rychlostí nebo se zcela zastaví;
- Pro varování ostatních uživatelů v místě, kde se pohybuje, použijte zvonek upevněný u páčky brzdy;

Čištění a skladování

- Po každé jízdě koloběžku vyčistěte.
- Pokud se gumové povrchy obtížně čistí, použijte zubní kartáček a zubní pastu a vyčistěte je i s pomocí měkké tkaniny. Tato metoda může odstranit i malé škrábance.
- Skútr skladujte v uzavřených prostorách na chladném a suchém místě. Nevystavujte skútr dlouhodobému slunečnímu světlu.



Při čištění musí být zásuvka pro nabíjení baterie pevně uzavřena, jinak by mohlo dojít k úrazu elektrickým proudem a poškození skútru. Neumývejte skútr vysokotlakým vodním paprskem nebo ponořením do vody - mohlo by to způsobit neopravitelné poškození přístroje.

Údržba baterie

Baterie je nejdůležitější součástí údržby. Chcete-li prodloužit životnost, postupujte podle následujících pokynů:

- Přečtěte si pokyny k označení baterií a postupujte podle nich.
- Nejlepší teplota akumulátoru je 10 stupňů. Akumulátor neuchovávejte při teplotách pod -10 stupňů nebo nad 35 stupňů.
- Pokud je teplota prostředí nižší než 0 °C, akumulátor nenabíjete, přeneste ho na místo, kde je teplota vyšší než 10 °C, chvíli počkejte a teprve potom začněte akumulátor nabíjet.
- Baterii skladujte na chladném a suchém místě. Velmi vlhké místo může způsobit kondenzaci uvnitř baterie, což může baterii rychle poškodit.
- Pokud displej zobrazuje nízkou úroveň akumulátoru, připojte akumulátor k nabíječce. Zkuste zabránit úplnému vyčerpání baterie. Před začátkem jízdy plně nabijte baterii. Časté nabíjení nepoškodí baterii. Naopak, dlouhodobé skladování nenabitého akumulátoru může zkrátit jeho životnost

Funkce a specifikace

- Motor: 350W
- Akumulátor: 36 V 5,0 Ah
- Výměnný akumulátor
- Maximální rychlost: 25 km/h (třístupňová regulace rychlosti)
- Dojezd: do 20 km (v závislosti na zatížení a druhu povrchu)
- Maximální zatížení: 120 kg
- Sklon cesty: 15-20 stupňů
- Funkce tempomatu
- Zadní brzda - kotoučová, pomocná brzda (nožní)
- 8.5" huštěné pneumatiky
- Přední a zadní LED světlo
- Displej LCD, který ukazuje rychlost a stav nabití akumulátoru
- Výstražný zvonek
- Snadný mechanismus skládání
- Nabíjecí proud: 42 V/2 A
- Doba nabíjení: 2 hodiny
- Rozměry: 1056 x 420 x 450/1186 mm (složená/rozložená)
- Hmotnost netto: 13,5 kg

TECHNICKÉ ÚDAJE ADAPTÉRU:

Vstupní napětí: 110-240 V ~ 50 / 60 Hz

Max. Vstupní proud: 2.5 A

Výstupní napětí: 42 V

Maximální výstupní proud: 2 A

Bezpečnostné zásady

- Oboznámte sa a vždy dodržiavajte miestne predpisy o cestnej premávke.
- Vždy noste atestovanú prilbu a iné prvky chrániace lakte, kolená a zápästia.
- Po zapnutí elektrickej kolobežky skontrolujte stav nabitia akumulátora. Ak je akumulátor nabitý na menej než 25 %, neplánujte dlhšiu jazdu.
- Skontrolujte vonkajší vzhľad a technický stav elektrickej kolobežky. Predovšetkým skontrolujte, či nie sú niektoré prvky uvoľnené a či zariadenie nevydáva znepokojujúce zvuky.
- Používateľ musí byť zdravý, oddýchnutý, musí byť triezvy a pred jazdou nesmie požiť žiadne upokojujúce ani psychotropné látky.
- Nezabúdajte, že počas jazdy ste o 7 cm vyšší, preto dávajte pozor pri prejazdoch cez dvere, popri a popod značky, stromy, konáre a iné prekážky, aby ste sa nezranili.
- Toto zariadenie môžu používať deti vo veku od 12 rokov, ako aj osoby s obmedzenými fyzickými, senzorickými a rozumovými schopnosťami a osoby, ktoré nemajú príslušné vedomosti a skúsenosti s používaním zariadenia, ak budú pod neustálym dohľadom, alebo ak boli predtým príslušne zaškolené o spôsobe používania zariadenia bezpečným spôsobom a pochopili riziko, ktoré súvisí s používaním tohto zariadenia. Deti sa so zariadením nesmú hrať. Deti bez dozoru dospelaj osoby nesmú zariadenie čistiť ani vykonávať jeho údržbu.
- So zariadením používajte iba originálne príslušenstvo, alebo príslušenstvo odporúčané výrobcom. Používanie príslušenstva, ktoré výrobca neodporúčal, môže viesť k poškodeniu zariadenia alebo ohroziť bezpečnosť jeho používania.

- Adaptér sa môže pripájať iba k el. obvodu, ktorého parametre sa zhodujú s parametrami uvedenými na výrobnom štítku.
- Ak je poškodený napájací kábel alebo zástrčka, alebo ak má zástrčka v el. zásuvke vôľu, zariadenie z danej zásuvky nenabíjajte ani ho k nej nepripájajte.
- Keď adaptér nepoužívate, odpojte ho od el. napätia (vytiahnutím zástrčky z el. zásuvky).
- Adaptér nikdy neponárajte do vody alebo do inej kvapaliny.
- Adaptér nepripájajte ani neodpájajte od el. napätia mokrými rukami.

Úplne zakázané

- Kolobežkou nejazdite na miestach, kde je to zakázané miestnymi či štátnymi predpismi.
- Nejazdite po svahoch a cestách so sklonom väčším než 17 stupňov, nejazdite cez mláky alebo vodné nádrže, ktoré sú hlbšie než 5 cm.
- Kolobežkou nejazdite po schodoch.
- Nejazdite po cestách, ktoré sú určené pre motorové vozidlá, po krajniciach ani po cestách, na ktorých platí zákaz vjazdu.
- Na kolobežke nikdy nejazdite viacerí, ani neprevážajte deti, a to ani vtedy, keď sú vo vhodných nosičoch.
- Na kolobežke nikdy nejazdite bez držania kormidla.
- Deti vo veku do 12 rokov a osoby vo veku nad 60 rokov nesmú na kolobežke jazdiť bez dozoru. Keď na kolobežke jazdia také osoby, musia na nich dohliadať členovia rodiny alebo opatrovatelia. Na kolobežke nesmú jazdiť tehotné ženy, osoby pod vplyvom alkoholu alebo inej omamnej látky, osoby s psychickými poruchami a chorobami, ani hendikepované osoby s obmedzenými motorickými a rozumovými schopnosťami.
- Na kolobežke nejazdite na nebezpečných miestach ani na miestach, kde hrozí požiar alebo výbuch.
- Keď jazdíte na kolobežke, netelefonujte.
- Vyhýbajte sa jazdeniu, keď sú zlé poveternostné podmienky, napr. silný dážď, sneh, vietor, ani po zľadovatenejších, šmykľavých alebo zablatených cestách.

POKYNY PRED ZAČATÍM JAZDY!

- Táto kolobežka má v prednom kolese namontovaný elektromotor. Nezabúdajte, že používanie kolobežky v daždi alebo na mokrom povrchu môže spôsobiť zvlhnutie motora, a v dôsledku toho aj jeho poškodenie. Záruka sa nevzťahuje na takúto poruchu.
- Maximálny dosah kolobežky závisí od viacerých faktorov, ako napríklad: hmotnosť používateľa, kvalita povrchu, po ktorom sa kolobežka pohybuje, členitosť terénu, štýl a režim jazdy, poveternostné podmienky a primeraný tlak v pneumatikách.
- Berte na vedomie, že postupom času sa výkon akumulátora znižuje. Je to prirodzený proces, ktorý by sa nemal považovať za poruchu.



- Kolobežka je vybavená nafukovacími bezdušovými kolesami, ktoré vďaka primeranému tlaku vzduchu v pneumatikách tlmia vibrácie počas jazdy.
- Pravidelne kontrolujte tlak v pneumatikách, a to nielen preto, aby ste získali optimálnu pohodlnosť jazdy, ale aj aby ste dosiahli čo najväčší možný dosah pri úplne nabitom akumulátore. Kolobežka má štandardné ventily, vďaka čomu je možné nahustiť kolesá pomocou všeobecne dostupných kompresorov. Súčasťou balenia je aj adaptér napomáhajúci nahustiť predné koleso.
- Používanie kolobežky pri nízkom tlaku v pneumatikách je zakázané, pretože môže spôsobiť nehodu a trvalé poškodenie pneumatiky, na čo sa záruka nevzťahuje.

Správny tlak v pneumatikách predstavuje hodnota 3-3,4 bary.

Používateľská príručka

Ďakujeme, že ste si kúpili našu elektrickú kolobežku BLAUPUNKT ESC808. Oboznámte sa s touto používateľskou príručkou a uchovajte ju pre prípadnú potrebu v budúcnosti. Pokyny a odporúčania, ktoré sú uvedené v príručke, vám môžu oboznámiť sa s nasledujúcimi témami:

- Základná obsluha a učenie sa jazdiť na elektrickej kolobežke.
- Bezpečnosť pri jazde na elektrickej kolobežke.
- Konštrukcia a údržba elektrickej kolobežky.



Zariadenie spĺňa požiadavky nasledujúcich smerníc Európskej únie:

- o nízkonapäťových zariadeniach – Low voltage directive (LVD)
- o elektromagnetickej kompatibilite – Electromagnetic compatibility (EMC)

Výrobok je označený znakom CE na výrobnom štítku



Ak je na zariadení alebo na obale znak prečiarknutého smetného koša, znamená to, že výrobok sa musí likvidovať v súlade so smernicou 2012/19/EÚ. Oboznámte sa s požiadavkami miestneho systému zberu elektrických a elektronických zariadení. Postupujte podľa platných miestnych predpisov a noriem. Toto zariadenie sa v žiadnom prípade nesmie vyhadzovať do komunálneho odpadu. Vďaka správnej likvidácii opotrebovaného výrobku môžete predísť potenciálnym negatívnym následkom pre životné prostredie a pre ľudské zdravie.

Podrobné informácie o najbližšom zbernom mieste vám poskytne miestna samospráva, predajca alebo spoločnosť

„Blaupunkt Competence Center, 2N-Everpol Sp. z o.o.“, ul. Puławska 403A, 02-801 Warszawa, Poľsko, tel.: +48 22 331 9959, email: emobility@blaupunkt.pl



V zariadení sa používajú batérie, pre ktoré platí európska smernica 2006/66/ES. Batérie v žiadnom prípade nevyhadzujte do komunálneho odpadu. Oboznámte sa a postupujte podľa miestnych nariadení a predpisov o likvidácii batérií, pretože správnu likvidáciu predchádzate potenciálnym negatívnym následkom pre životné prostredie a pre ľudské zdravie.

Informácie o ochrane životného prostredia

V balení sú iba nevyhnutné prvky. Urobili sme všetko preto, aby sa tri materiály používané v balení dali jednoducho oddeliť: kartón (škatuľa), polystyrénová pena (zabezpečenie vo vnútri) a polystyrén (vrecia, ochranné fólie). Zariadenie je vyrobené z materiálov, ktoré sa dajú recyklovať a opätovne použiť po ich demontovaní a spracovaní špecializovanými firmami. Dodržiavajte miestne predpisy o likvidácii obalových materiálov, opotrebovaných batérií a akumulátorov, ako aj nepotrebných zariadení.



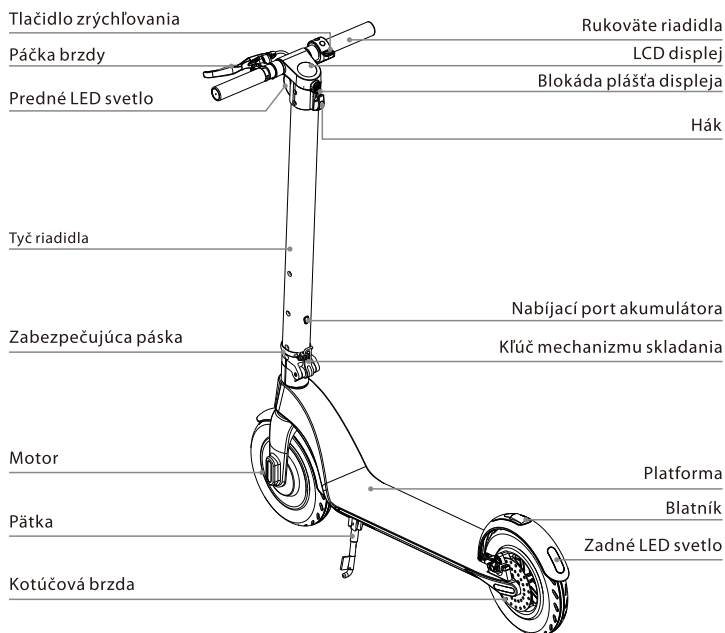
Výrobok bol vyrobený z kvalitných materiálov a z kvalitných modulov, ktoré sa dajú recyklovať a opätovne použiť.

Hlavné vlastnosti elektrickej kolobežky:

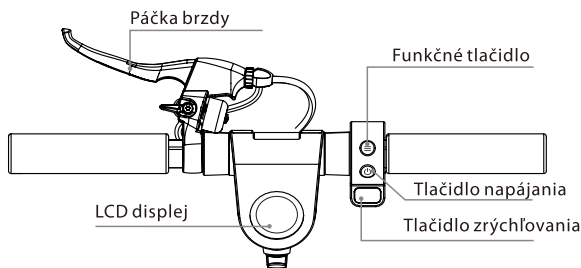
Blaupunkt ESC808 je skladacia elektrická kolobežka. Používateľ môže stáť na nášlape kolobežky a ovládať rýchlosť príslušným ovládaním na kormidle.

- Predné a zadné kolieska sú symetrické, pohon predného kolieska zabezpečuje väčšiu bezpečnosť pohybu. 8.5" kolesá s dušou zvyšujú komfort jazdenia.
- Kotúčová brzda ovládaná páčkou na riadidle a zadná nožná brzda zaručujú najkratšiu brzdnú dráhu, čím lepšie chránia jazdca.
- V zariadení je použitý lítiovo-iónový akumulátor. Jeho maximálny výstupný prúd je vyšší než 10 A - vysoký výkon bez efektu pamäte nabíjania, bez nečistôt.
- Celková hmotnosť zariadenia je necelých 13,5 kg. Skladacia konštrukcia s jedným kľúčom zaručujú pohodlné prenášanie a praktické uchovávanie.

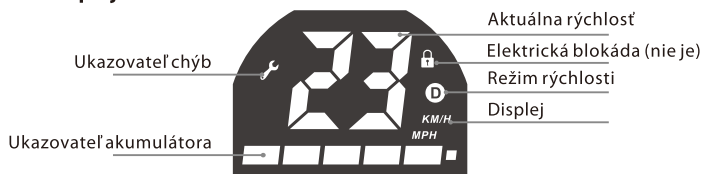
Konštrukcia elektrickej kolobežky:



Konštrukcia systému riadenia



Konštrukcia LCD displeja



Opis tlačidiel/funkcií:

1. Tlačidlo napájania: dlhým stlačením tlačidla napájania zapnete/vypnete napájanie;
2. Tlačidlo zrýchľovania: stlačením pravého tlačidla zrýchľovania sa pohnete a začnete zrýchľovať;
3. Brda: stlačením páčky brzdy zabrzdíte. Keď mierne stúpíte (pritlačíte) na zadný blatník, brzdenie zosilníte (počas brzdenia bliká zadné LED svetlo).
4. Funkčné tlačidlo: krátkym stlačením funkčného tlačidla vyberiete režim rýchlosti:
 - a. Režim pre začiatočníkov: žiadny symbol „D“
 - b. Normálny režim: symbol „D“ svieti nabiele
 - c. Športový režim: symbol „D“ svieti načerveno
5. LED osvetlenie: Keď funkčné tlačidlo stlačíte dvakrát, zapnete predné a zadné LED svetlá; keď funkčné tlačidlo opätovne dvakrát stlačíte, LED svetlá vypnete.
6. Režim tempomatu: udržiavajte danú rýchlosť cca 6 sekúnd, následne sa zapne tempomat; tempomat sa vypne, keď stlačíte tlačidlo zrýchľovania alebo stlačíte páčku brzdy.

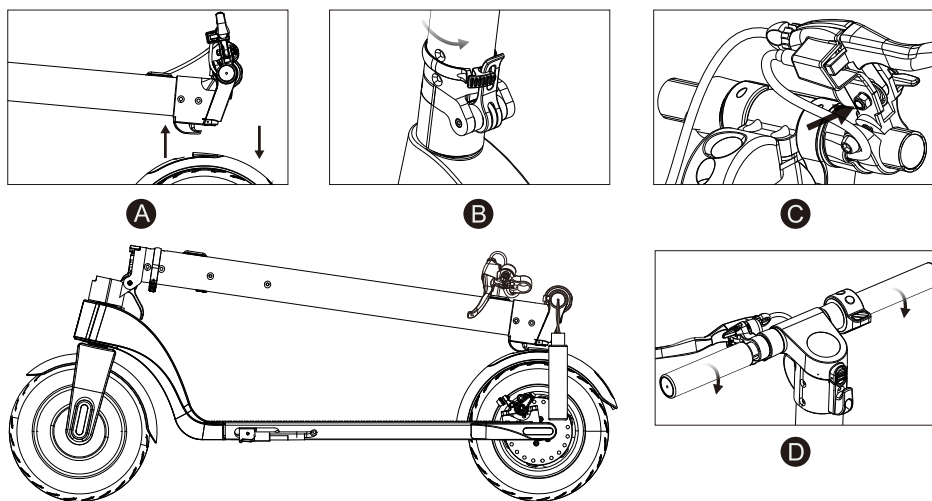
Rozbalenie

Najprv otvorte kartónovú škatuľu, potom vyberte kolobežku a skontrolujte, či je kompletná. Ak čokoľvek chýba, kontaktujte predajcu. Skontrolujte stav zariadenia a jeho vonkajší vzhľad, či je skladací systém dostatočne stabilný, či nášlap nie je prasknutý. Skontrolujte, či nie je poškodený displej zariadenia.

Montáž

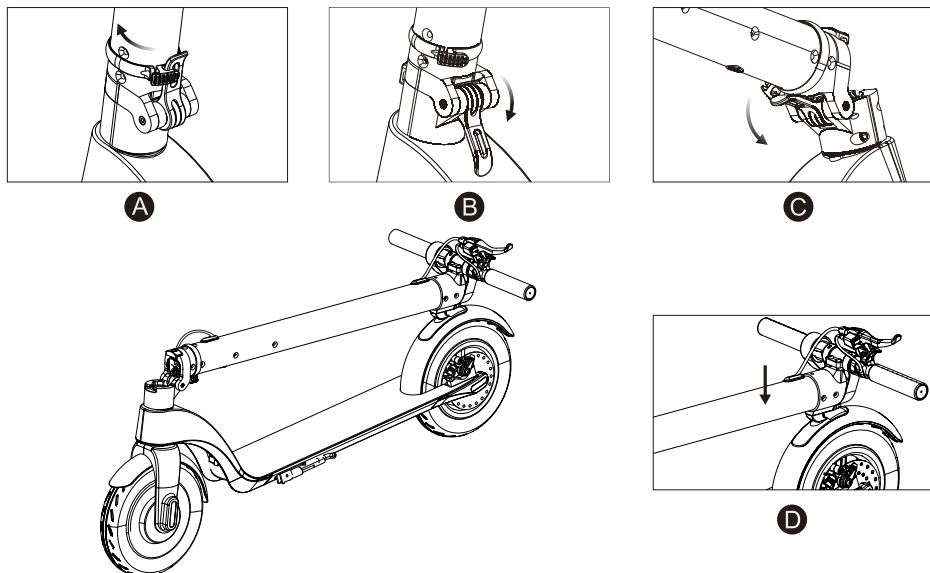
Keď kolobežku rozbalíte a skontrolujete stav všetkých častí, môžete kolobežku zložiť. Postupujte podľa nasledujúceho ilustrovaného návodu:

1. Rozkladanie



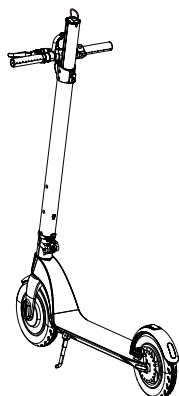
- A. Stlačením zadného blatníka odblokujete blokádu a zdvihnite tyč riadidla do zvislej polohy;
- B. Zablokujte mechanizmus skladania zdvihnutím klúča maximálne dohora, následne klúč zabezpečte pred samočinným odblokovaním pretočením zabezpečujúcej pásky maximálne doprava.
- C. S použitím šesťhranného klúča M6 upevnite korpus brzdy
- D. Dotiahnite rúčky riadidla (dávajte pozor na smer doťahovania)

2. Skladanie

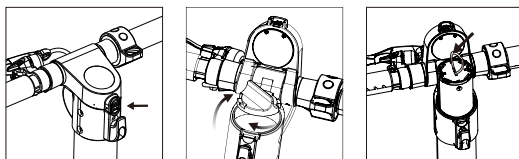


- A. Zabezpečujúcu pásku klúča pretočte doľava;
- B. Stlačte klúč mechanizmu skladania maximálne dole;
- C. Jemne zložte tyč riadidla potiahnutím dole;
- D. Priblížte hák upevnený na tyči riadidla k otvoru v zadnom blatníku a pritlačte tak, aby sa zablokovali;

3. Montáž / demontáž akumulátora



Montáž

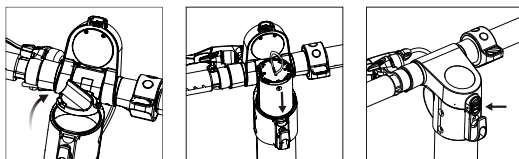


A

B

C

Demontáž



A

B

C

Montáž akumulátora:

- A. Stlačte tlačidlo blokády pláštá displeja, ktorý je nad hákom, a plášť zdvihnite hore;
- B. Odskrutkujte veko akumulátora pretočením doľava a vytiahnite ho;
- C. Do otvoru v tyči riadenia vložte akumulátor a zaskrutkujte veko pretočením doprava;

Demontáž akumulátora

- A. Otvorte plášť displeja stlačením tlačidla nad hákom a odskrutkujte veko akumulátora;
- B. Akumulátor vytiahnite potiahnutím za farebnú šnúрку;
- C. Zaskrutkujte veko akumulátora a založte plášť displeja;

POZOR!

Keď akumulátor vyberiete, môžete ho nabiť s použitím dodaného adaptéra.



Keď prebieha nabíjanie, kolobežku v žiadnom prípade neprenášajte, neskladajte, nečistite ani nevykonávajte jej údržbu.

Sprievodca bezpečnej jazdy

Obsah tejto kapitoly je veľmi dôležitý, pozorne si ju prečítajte a dodržiavajte všetky bezpečnostné zásady a postupy. V prípade, ak budú porušené alebo nebudú dodržiavané pokyny a odporúčania uvedené v tomto sprievodcovi, naša spoločnosť nezodpovedá za žiadne prípadné úrazy či nehody, ani za ich následky (materiálne straty či poškodenie zdravia).

Elektrická kolobežka je zariadenie určené na zábavu, ale aj dopravný prostriedok. Počas jazdy zachovávajte príslušné bezpečnostné zásady, tak môžete ochrániť seba aj iných pred úrazom či nehodou. Pripomíname, že v prípade, ak kolobežku používate v teréne a na verejných komunikáciách, existuje riziko kolízie spôsobenej inými účastníkmi premávky, aj v prípade, že vy dodržiavate všetky bezpečnostné zásady. Veľmi dôležité je, aby ste zachovávali bezpečnú vzdialenosť od iných účastníkov premávky a vozidiel.

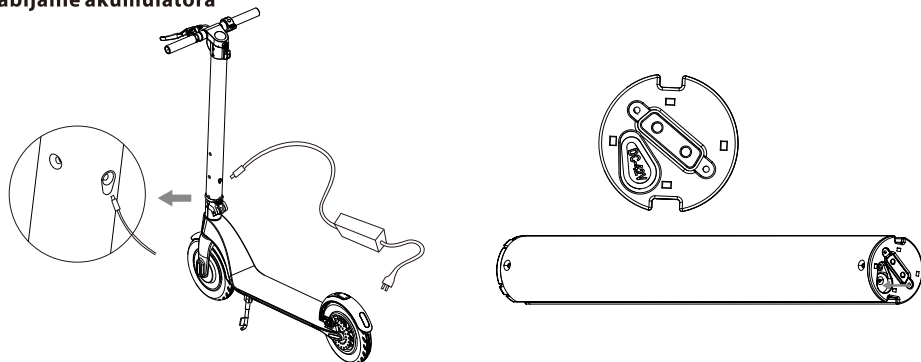
Jazdenie na kolobežke

- Keď jazdíte na kolobežke, dodržiavajte platné miestne predpisy o cestnej premávke. Kolobežku riadte rozvážne a pokojne, dávajte pozor na iných ľudí a na iné predmety, aby ste sa vyhli kolízii.
- Na kolobežke jazdite bezpečným spôsobom, zachovávajte vhodnú (kontrolovanú) rýchlosť, ako aj bezpečné vzdialenosti od chodcov a od iných vozidiel. Buďte vždy pripravený zastaviť. Vyhýbajte sa náhlemu zrýchľovaniu a náhlemu brzdeniu.
- Keď jazdíte po chodníku, dodržiavajte práva chodcov, ustupujte im pri prechádzaní cez priechody, nevystrašte okoloidúcich, predovšetkým deti.
- Na preplnených cestách rýchlosť jazdy na kolobežke prispôbte rýchlosti iných účastníkov premávky. Ak chcete predbehnúť skupinu chodcov, uistite sa, či máte dosť miesta a celý manéver môžete vykonať bezpečným spôsobom. Príliš rýchla jazda v dave je veľmi nebezpečná.
- Kolobežku neparkujte na mieste, kde by mohla zavádzať chodcom.
- Keď jazdíte na kolobežke, buďte uvoľnený, majte trochu zohnuté kolená a zdvihnutú hlavu.



Používateľ môže v prípade náhleho zrýchlenia alebo náhleho brzdenia počas rýchlej jazdy veľmi rýchlo stratiť rovnováhu, čo následne môže viesť k havárii. Vyhýbajte sa takýmto situáciám.

Nabíjanie akumulátora



- Skontrolujte, či je el. zásuvka suchá.
- Keď chcete nabíť akumulátor, ktorý je vložený v kolobežke, otvorte záslepku nabíjacej zásuvky akumulátora, ktorá je na tyči riadenia, priamo nad mechanizmom skladania kolobežky. Keď chcete nabíť akumulátor, ktorý je vytiahnutý z kolobežky, otvorte záslepku nabíjacej zásuvky akumulátora, ktorá je v dolnej časti akumulátora.
- Zástrčku adaptéra pripojte k el. zásuvke, skontrolujte, či zelená kontrolka nabíjačky svieti normálne, druhú zástrčku zastrčte do nabíjacej zásuvky akumulátora kolobežky.
- Keď kontrolka adaptéra svieti načerveno, akumulátor sa správne nabíja, v opačnom prípade skontrolujte všetky spojenia káblov.
- Keď kontrolka začne svietiť nazeleno, znamená to, že akumulátor je úplne nabitý. Odpojte adaptér od el. napätia (vytiahnite zástrčku z el. zásuvky). Dlhो trvajúce nabíjanie môže skrátiť trvanosť akumulátora.
- Dodržiavajte pokyny týkajúce sa nabíjania akumulátora, v opačnom prípade môže dôjsť k poškodeniu akumulátora a k skráteniu jeho trvanosti.
- Akumulátor kolobežky sa nabíja približne 2 hodiny. Výrobca nemôže zaručiť rovnako dlhé trvanie nabíjania a jazdy na akumulátore, vzhľadom na postupné opotrebovávanie akumulátora.
- Akumulátor nabíjajte na čistom a na suchom mieste.
- Akumulátor nenabíjajte, ak je el. zásuvka mokrá.

Prvá jazda

Príprava

- Vyberte vhodné miesto. Môže to byť miesto vnútri alebo vonku, musí mať plochu aspoň 10 x 10 metrov (aspoň 100 štvorcových metrov). Miesto musí byť ploché, nesmie byť mokré ani šmyklivé, bez prekážok, bez vozidiel, detí, domácich zvierat alebo akýchkoľvek iných vecí, ktoré by mohli zaujať vašu pozornosť.
- Dôkladne sa oboznámte s touto príručkou, ak máte takú možnosť, využite rady a tipy osoby, ktorá má s bezpečným jazdením väčšie skúsenosti.
- Noste prilbu a chrániče, predídete tak možným úrazom. Kolobežku preneste do prostriedku miesta, v ktorom budete jazdiť a oboznámte sa s priestorom.

Spustenie

- Stlačte a na cca 2 sekundy podržte tlačidlo POWER, čím kolobežku zapnete; Následne vyberte jeden z troch režimov rýchlosti.
- Jednou nohou sa postavte na platforme, a druhou nohou sa odrazte tak, aby sa kolobežka pohla;
- Druhou nohou sa postavte na kolobežke a udržiavajte rovnováhu;
- Palcom pravej ruky stlačte tlačidlo zrýchľovania, nejazdite príliš rýchlo;
- Keď chcete zabrzdiť, ľavou rukou stlačte páčku brzdy, keď chcete brzdenie zosilniť, jemne stúpte (stlačte) na zadný blatník;
- Z platformy môžete zostúpiť vtedy, keď kolobežka ide pomaly alebo keď sa úplne zastaví;
- Keď chcete upozorniť iných ľudí, ktorí sa nachádzajú na mieste, v ktorom jazdíte, použite zvonček namontovaný pri páčke brzdy;

Čistenie a uchovávanie

- Kolobežku po každej jazde vyčistite.
- Ak je na gumených povrchoch ťažšie odstrániteľná špina, použite zubnú kefku a zubnú pasu, a následne tieto miesta vyčistite mäkkou handričkou. Touto metódou sa tiež dajú odstrániť menšie poškriabania.
- Kolobežku uchovávajte v uzavretých miestnostiach, na chladnom a na suchom mieste. Kolobežku nevystavujte dlhodobému pôsobeniu priameho slnečného žiarenia.



Nabíjacia zásuvka akumulátora musí byť počas čistenia tesne zatvorená, v opačnom prípade môže dôjsť k zásahu el. prúdom a k vážnemu poškodeniu kolobežky. Kolobežku nikdy neumývajte prúdom vody s vysokým tlakom, ani ju neponárajte do vody, v opačnom prípade sa zariadenie môže neodvratne poškodiť.

Údržba akumulátora

Akumulátor je najdôležitejším prvkom vyžadujúcim údržbu. Ak chcete predĺžiť jeho trvácnosť, dodržiavajte nasledujúce pokyny:

- Oboznámte sa a dodržiavajte pokyny, ktoré sú uvedené na akumulátore.
- Najideálnejšia teplota na uchovávanie akumulátora je 10 °C. Akumulátor v žiadnom prípade neuchovávajte pri teplote pod -10 °C ani nad +35 °C.
- Keď je teplota prostredia nižšia než 0 °C, akumulátor nenabíjajte. Akumulátor preneste na miesto, v ktorom je teplota vyššia než 10 °C, počkajte chvíľu (kým sa akumulátor zohreje) a až potom môžete akumulátor začať nabíjať.
- Akumulátor uchovávajte v miestnostiach, na chladnom a na suchom mieste. Vo veľmi vlhkom mieste môže dôjsť vo vnútri akumulátora ku kondenzácii vodnej pary, čo následne môže veľmi rýchlo viesť k poškodeniu akumulátora.
- Keď sa na displeji zobrazí informácia o príliš nízkej úrovni nabitia akumulátora, akumulátor pripojte a nabite. Predchádzajte úplnému vybitiu akumulátora. Pred začatím jazdy akumulátor úplne nabite. Častým nabíjaním akumulátor nepoškodíte. Práve naopak, dlhodobé uchovávanie nenabitého akumulátora môže skrátiť jeho trvácnosť a znížiť kapacitu.

Funkcie a špecifikácia

- Motor: 350 W
- Akumulátor: 36 V 5,0 Ah
- Vymeniteľný akumulátor
- Maximálna rýchlosť: 25 km/h (3-stupňové nastavenie rýchlosti)
- Dojazd: do 20 km (podľa zaťaženia a typu povrchu)
- Maximálne zaťaženie: 120 kg
- Sklon výjazdu: 15-20 stupňov
- Funkcia tempomatu
- Zadná brzda – kotúčová, pomocná brzda (nožná)
- 8.5 " kolesá s dušou
- Predné a zadné LED svetlá
- LCD displej zobrazujúci rýchlosť a úroveň nabitia akumulátora
- Výstražný zvonček
- Jednoduchý skladací mechanizmus
- Nabíjací prúd: 42 V 2 A
- Čas nabíjania: 2 hodiny
- Rozmery: 1056 x 420 x 450/1186 mm (zložená/rozložená)
- Čistá hmotnosť: 13,5 kg

Technické parametre adaptéra:

Vstupné napätie: 110-240 V ~50/60 Hz

Max. vstupný prúd: 2.5 A

Výstupné napätie: 42 V

Max. výstupný prúd: 2 A

Biztonsági szabályok

- Legyen tisztában a helyi közlekedési szabályokkal és tartsa azokat be.
- Mindig hitelesített bukósisakot és könyök-, térd- és csuklóvédőt használjon.
- Az elektromos roller bekapcsolását követően ellenőrizze a töltöttségi szintet. Ha az akkumulátor töltöttsége alacsonyabb, mint 25%, ne induljon hosszabb útra.
- Ellenőrizze az elektromos roller külső megjelenését és műszaki állapotát. Fordítson különös figyelmet arra, hogy valamelyik alkatrész nincs-e meglazulva, valamint, hogy a termék nem ad-e ki aggasztó hangot.
- A felhasználó legyen egészséges, kipihent, józan és ne álljon nyugtató vagy pszichotróp gyógyszer hatása alatt.
- Tartsa szem előtt, hogy a roller használatakor 7 centiméterrel magasabban van, ezért a fej védelme érdekében különösen óvatosan közlekedjen ajtók alatt, továbbá ügyeljen a jelölésekre, ágakra és egyéb magasan található akadályokra.
- Jelen terméket használhatják 12 évnél idősebb gyermekek, fizikai vagy értelmi fogyatékossgal élő személyek, valamint a termék használatában kis tapasztalattal rendelkező személyek is, amennyiben vagy megfelelő felügyelet, vagy a biztonságos használatot biztosítva van. Gyermekek ne játszanak a termékkel. Gyermekek felügyelet nélkül ne tisztítsák a terméket és ne végezzenek rajta karbantartási munkálatokat.
- A készülékhez kizárólag az eredeti vagy a gyártó által ajánlott kellékeket használja. A gyártó által nem ajánlott kellékek használata a készülék meghibásodásához vezethet és veszélyeztetheti a felhasználó biztonságát.
- A tápegységet kizárólag az adattáblán feltüntetett értékeknek megfelelő aljzatba csatlakoztassa.
- Amennyiben a tápvezeték hibás vagy a tápegység dugasa lazán illeszkedik a konnektorhoz, ne töltsé a terméket és ne csatlakoztassa áramforráshoz.

- Ha a tápegység használaton kívül van, húzza ki a konnektorból.
- Ne merítse a tápegységet vízbe vagy egyéb folyadékba.
- Ne csatlakoztassa és ne szüntesse meg a tápellátást nedves kézzel.

Szigorúan tilos

- Tilos a rollert olyan helyen használni, ahol azt helyi vagy országos előírások tiltják.
- Tilos 17 fokot meghaladó lejtőn legurulni, valamint pocsolyába és 5 centimétertől mélyebb vízbe hajtani.
- Ne használja a rollert lépcsőn.
- Tilos a rollert autóúton, valamint forgalomtól elzárt útszélien és úton használni.
- A rollert nem használhatja egyszerre több személy, továbbá tilos a rolleren gyermeket szállítani, még akkor is, ha megfelelő hordozóeszközben van elhelyezve.
- Tilos a rollert kéz nélkül használni.
- A rollert 12 éven aluli és 60 év feletti személyek önállóan nem vehetik igénybe. A roller használatakor álljanak családtag vagy felügyelő személy felügyelete alatt. Nem használhatják a rollert terhes nők, ittas, mentális zavarral küzdő, valamint korlátozott vezetési képességgel rendelkező, fogyatékkal élő személyek.
- Tilos a rollert tűz- vagy robbanásveszélyes helyen használni.
- A roller vezetésekor ne telefonáljon.
- Kerülje a roller használatát rossz időjárási viszonyok esetén, például zuhogó esőben, hóban, erős szélben, valamint jeges vagy sáros úton.

UTASÍTÁSOK A ROLLER HASZNÁLATA ELŐTT!

- A roller motorja az elülső kerékben található. Tartsa szem előtt, hogy a roller esőben vagy vizes felületen való használata a motor beázásához és károsodásához vezethet. Az ilyen jellegű meghibásodást a garancia nem fedezi.
- A roller maximális hatótávolságát számos tényező befolyásolja, többek között: a felhasználó súlya, a felület, amelyen a rollerrel halad, a földrajzi adottságok, a vezetési stílus és az üzemmód, az időjárási viszonyok, valamint a megfelelő nyomás a kerekekben.
- Ne feledje továbbá, hogy idővel csökken az akkumulátor hatékonysága. Ez természetes folyamatnak számít és nem jelent meghibásodást.



- A roller belső nélküli pumpált kerekekkel rendelkezik, melyek megfelelő nyomás esetén felfogják a roller használatakor keletkező rezgéseket.
- Rendszeresen ellenőrizze a nyomást a kerekekben az optimális használati kényelem és a lehető legnagyobb, teljesen feltöltött akkumulátorral megtehető hatótávolság elérése érdekében. A roller hagyományos szelepekkel rendelkezik, így az általánosan forgalomban lévő kompresszorokkal pumpálható. A készlet egy adaptert is tartalmaz, mely megkönnyíti az elülső kerék felfújását.
- Tilos a rollert alacsony nyomásig pumpált kerékekkel használni, mivel az balesethez vezethet és állandó károsodást okozhat a gumiban, amelyet a garancia nem fedez.

A kerekek megfelelő nyomása: 3-3,4 bar.

Használati útmutató

Köszönjük, hogy megvásárolta a BLAUPUNKT ESC808 elektromos rollert. Olvassa el a jelen használati útmutatót és későbbi igénybevétel céljából őrizze azt meg. Az útmutatóban található információk segítséget nyújtanak az alábbiak megismerésében:

- Az elektromos roller alapvető használata és vezetése.
- Az elektromos roller biztonságos használata.
- Az elektromos roller felépítése és karbantartása.



A berendezés megfelel az Európai Unió irányelvek által támasztott követelményeknek:

- Alacsony feszültségű berendezésekről szóló irányelv - Low voltage directive (LVD)
- Elektromágneses összeférhetőség - Electromagnetic compatibility (EMC)

A berendezés adattáblája CE jelöléssel van ellátva



Amennyiben a berendezésen áthúzott szemeteskosár jelölés található, a termék a 2012/19/EK irányelv rendelkezése alá tartozik. Kérjük, ismerje meg a helyi, elektromos és elektronikus hulladékok gyűjtésére vonatkozó szabályokat. A helyi előírások szerint járjon el. A terméket háztartási hulladékokkal együtt ne dobja ki. Az elhasznált termék megfelelő megsemmisítésével a természetre és emberi egészségre gyakorolt esetleges káros hatásait akadályozza meg.

A legközelebbi gyűjtőpontra vonatkozó információkat közvetlenül a termék értékesítőtől, vagy az alábbi cégtől szerezheti be:

Blaupunkt Competence Center, 2N-Everpol Sp. z o.o., ul. Puławska 403A, 02-801 Varsó, tel. +48 22 331 9959, email: emobility@blaupunkt.pl



A berendezés a 2006/66/EK irányelvben meghatározott elemmel van ellátva. Az elemet háztartási hulladékokkal együtt ne dobja ki. Kérjük, ismerkedjen meg a helyi elkülönített elemgyűjtési szabályokkal, mivel a megfelelő megsemmisítéssel megakadályozhatók a természetre és emberi egészségre gyakorolt esetleges káros hatások.

Környezetvédelmi információk

A csomagolás kizárólag a nélkülözhetetlen elemeket tartalmazza. Minden erőfeszítést elkövettünk annak érdekében, hogy a csomagolás három komponense könnyen elkülöníthető legyen: karton (doboz), polisztirol (belső védelem) és polietilén (zacskók, védőlap). A berendezés újrahasznosítható anyagokból készült, erre szakosodott cég által elvégzett szétszerelését követően elemei újra használhatók. Tartsa be a csomagolóanyagok, elhasznált elemek és felesleges berendezések megsemmisítésére vonatkozó helyi előírásokat.



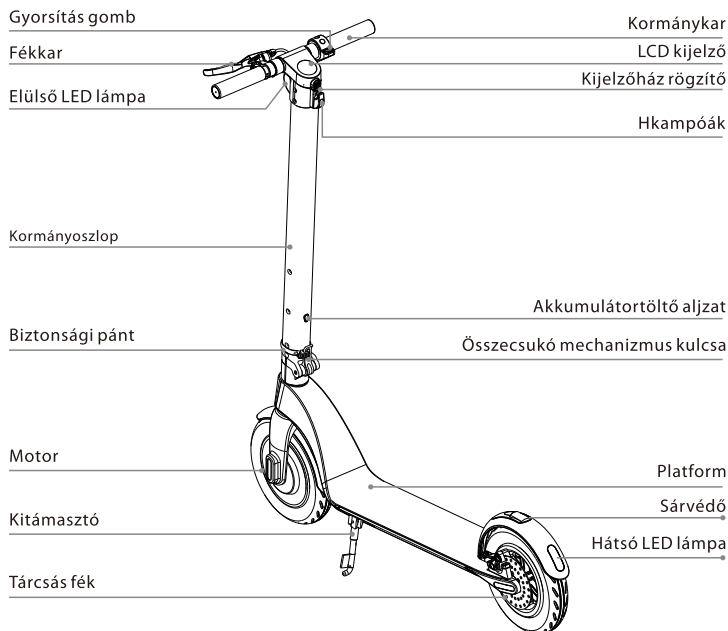
A termék kiváló minőségű, újrahasznosítható anyagokból és alkatrészekből készült.

Elektromos roller főbb jellemzői:

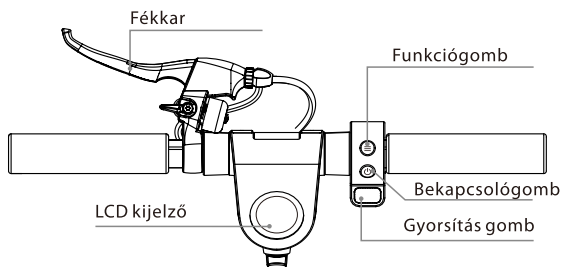
A Blaupunkt ESC808 egy innovatív, összecukható elektromos roller. A felhasználó a roller platformján áll és a kormányon található karral szabályozza a haladási sebességet.

- Az elülső és hátsó kerék szimmetrikus, az első kerekes meghajtás biztonságosabb irányítást tesz lehetővé. 8.5" felfújható kerék növeli az utazási kényelmet.
- A kormányon található fékkarral működtethető tárcsás fék és a hátsó lábfelek rövid fékezési távot biztosít, és jobban óvja a roller felhasználóját.
- A termékben lítium-ion akkumulátor került felhasználásra, a maximális áramerősség több mint 10 A, nagy teljesítmény memória effektus és szennyeződés nélkül.
- A termék összsúlya mindössze 13,5 kg. Az egykulcsos összecukható szerkezet kényelmes hordozást és tárolást garantál.

Elektromos roller felépítése:

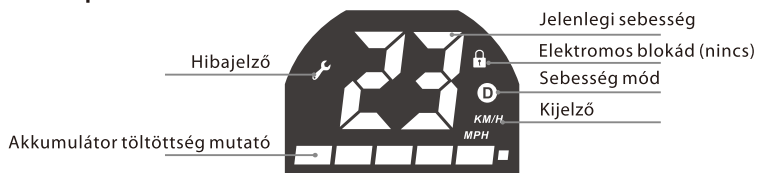


Kormánymű felépítése



MAGYAR

LCD kijelző felépítése



Gombok/funkciók leírása:

1. Bekapcsológomb: a tápellátás bekapcsolásához/kikapcsolásához nyomja meg hosszan a kapcsológombot;
2. Gyorsítás gomb: nyomja meg a jobboldali gyorsítás gombot az elinduláshoz és gyorsuláshoz;
3. Fék: A fékezéshez húzza meg a fékkart. Ha gyorsabban szeretne fékezni, nyomja le gyengéden a hátsó sárvédőt; (fékezéskor a hátsó LED lámpa villog)
4. Funkciógomb: a sebesség mód kiválasztásához röviden nyomja meg a funkciógombot:
 - a. Kezdő mód: a „D” ikon nem jelenik meg
 - b. Normál mód: a „D” ikon fehéren világít
 - c. Sport mód: a „D” ikon pirosan világít
5. LED világítás: Az elülső és hátsó LED lámpa bekapcsolásához nyomja meg kétszer a funkciógombot; a LED lámpák kikapcsolásához ismét nyomja meg kétszer a funkciógombot.
6. Tempomat mód: a tempomat bekapcsolásához haladjon kb. 6 másodpercig ugyanazzal a sebességgel; a tempomat kikapcsolásához nyomja meg a gyorsítás gombot, vagy a fékkart

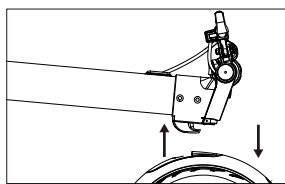
Kicsomagolás

A kartoncsomagolás kinyitását követően vegye ki a rollert és ellenőrizze, hogy mindegyik alkatrész jelen van. Ha bármelyik alkatrész hiányzik, vegye fel a kapcsolatot az értékesítővel. Ellenőrizze a termék állapotát és külső megjelenését, hogy az összecsukó rendszer megfelelően stabil, valamint, hogy a platform nincs elrepedve. Ellenőrizze továbbá, hogy a kijelző képernyője nem sérült.

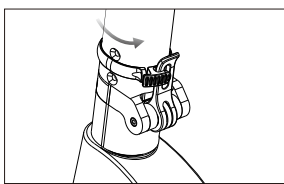
Összeszerelés

A kicsomagolást és az összes alkatrész állapotának ellenőrzését követően nekiláthat a roller összeszerelésének. Az alábbi ábrás útmutatóknak megfelelően járjon el:

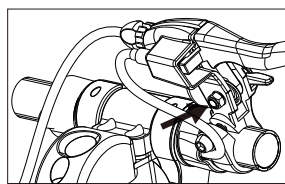
1. Kinyitás



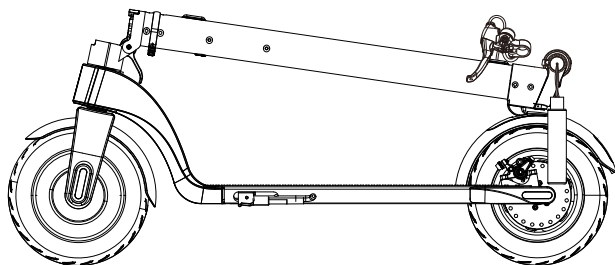
A



B



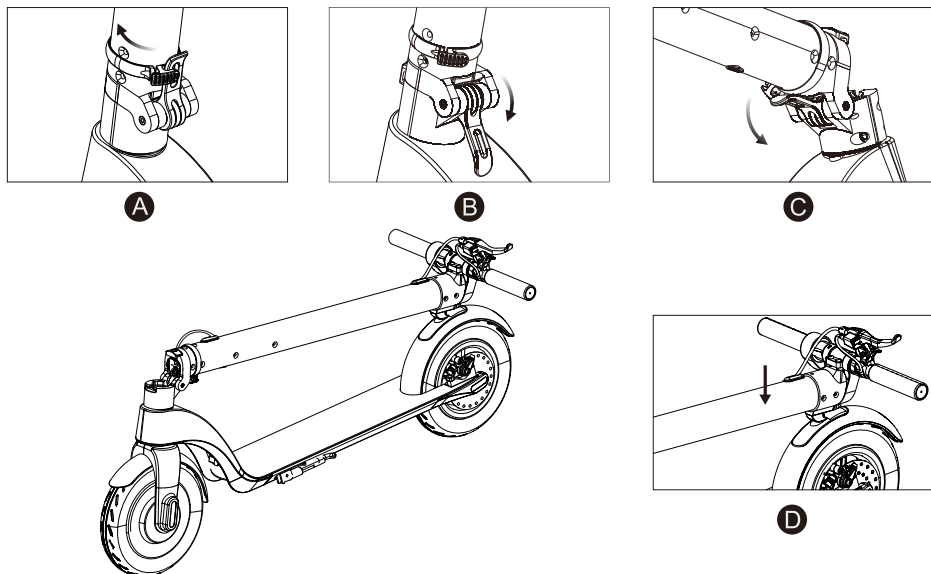
C



D

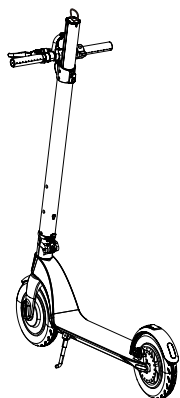
- A. A retesz kioldásához nyomja le a hátsó sárvédőt és emelje függőleges helyzetbe a kormányoszlopot;
- B. Blokkolja a mechanizmust a kulcs maximális megemelésével, majd a biztonsági pánt jobb irányú, ütközésig való eltolásával biztosítsa a kulcsot a véletlenszerű kioldás ellen.
- C. M6-os imbuszkulccsal rögzítse a fékházat
- D. Csavarja fel a kormány karjait (ügyeljen a megfelelő csavarási irányra)

2. Összecsukás

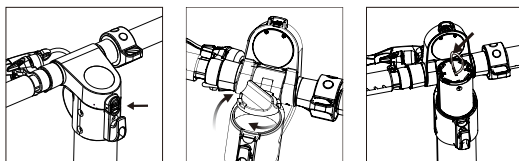


- A. Fordítsa el a kulcs biztonsági pántját balra;
- B. Nyomja le az ütközésig az összecsukó mechanizmus kulcsát;
- C. Gyengéden hajtsa le a kormányoszlopot;
- D. Közelítse a kormányoszlopra rögzített kampót a hátsó sárvédőben található nyíláshoz, majd a rögzítéshez akassza bele;

3. Akkumulátor beszerelése/kivétele



Beszerelés

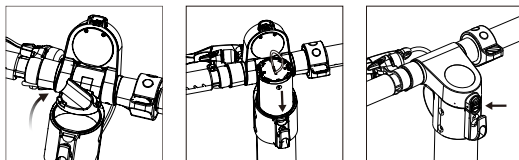


A

B

C

Kivétel



A

B

C

MAGYAR

Akkumulátor beszerelése:

- A. Nyomja meg a kampó felett található kijelzőház rögzítő gombot és emelje fel a burkolatot;
- B. Csavarja el az akkumulátor fedelét balra és vegye le a fedelet;
- C. Helyezze be az akkumulátort a kormányoszlopban található nyílásba és csavarja vissza az akkumulátor fedelét;

Akkumulátor kivétele

- A. Nyissa ki a kijelzőt a kampó felett található gomb megnyomásával és csavarja le az akkumulátor fedelét
- B. Húzza ki az akkumulátort a színes madzagnál fogva;
- C. Csavarja vissza az akkumulátor fedelét és zárja vissza a kijelző házát;

FIGYELEM!

Az akkumulátor a kivételt követően a mellékelt töltővel tölthető fel.



Tilos az akkumulátort áthelyezéskor, összecusukáskor, tisztításakor vagy karbantartáskor tölteni.

Biztonságos használattal kapcsolatos útmutatások

Ennek a fejezetnek a tartalma nagyon fontos, figyelmesen olvassa azt el és tartsa be az összes biztonsági szabályt és folyamatot. Cégünk nem felel a jelen útmutatásoknak nem megfelelő használatból eredő balesetekért, melyeknek pénzügyi veszteség vagy egészségkárosodás a következménye.

Az elektromos roller egy szabadidős termék és egyben szállítóeszköz is. A megfelelő biztonsági szabályok betartása a roller használatakor lehetővé teszi a balesetek elkerülését. Szem előtt kell tartani, hogy a roller terepen és közúton való használata a forgalom egyéb résztvevői által okozott ütközéshez vezethet, még akkor is, ha minden biztonsági szabályt betart. Nagyon fontos a megfelelő távolság betartása a forgalom egyéb résztvevőitől és a járművektől.

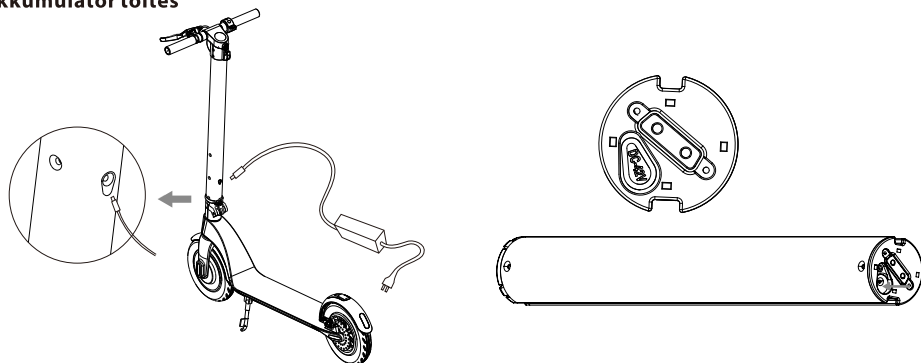
Rollerrel való közlekedés

- A rollerrel való közlekedéskor a helyi közlekedési szabályokat kell betartani. Óvatosan és nyugodtan vezesse a rollert, az ütközések elkerülése érdekében fordítson figyelmet a forgalom résztvevőire és a különböző tárgyakra.
- Biztonságosan közlekedjen a rollerrel, tartsa be a megfelelő sebességet és távolságot a forgalom egyéb résztvevőitől és a járművektől. Legyen mindig felkészülve a fékezésre. Kerülje a hirtelen gyorsulást és erős fékezést.
- Járdán közlekedve tartsa tiszteletben a gyalogosok jogait, engedje át őket az átkelőhelyeken, ne ijessze meg a gyalogosokat, különösen a gyermekeket.
- A roller sebességét zsúfolt helyeken igazítsa a forgalom többi résztvevőjéhez. Ha szeretne megkerülni egy gyalogosokból álló csoportot, győződjön meg, hogy elegendő hely áll rendelkezésre és hogy a manőver biztonságosan végrehajtható. A tömegben való gyors haladás nagyon veszélyes.
- Ne parkoljon a rollerrel olyan helyen, amely megnehezítheti a gyalogosok mozgását.
- A roller használatakor legyen ellazult, gyengéden hajlítsa be térdét és emelje meg a fejét.



Hirtelen gyorsításkor vagy fékezéskor nagy haladási sebesség esetén a felhasználó könnyedén elveszítheti egyensúlyát és balesetet okozhat. Próbálja meg az ilyen eseteket elkerülni.

Akkumulátor töltés



- Győződjön meg, hogy az elektromos aljzat száraz.
- Ha az akkumulátor töltéskor a rollerben van, nyissa ki az akkumulátor töltőaljzatának fedelét, mely a kormányoszlopon található, közvetlenül a roller összecukó mechanizmusa felett. Ha rollerből kívett akkumulátort kíván tölteni, nyissa ki a töltőaljzat fedelét, mely az akkumulátor alsó részében található.
- Csatlakoztassa a tápegységet áramforráshoz, ellenőrizze, hogy a töltő zöld lámpája világít, majd csatlakoztassa a töltő másik végét a rolleren található töltőaljzathoz.
- Ha a töltőn a piros jelzőlámpa világít, az akkumulátor megfelelően töltődik. Ellenkező esetben ellenőrizze a vezetékek csatlakozását.
- Amikor a piros jelzőlámpa zöldre vált, az akkumulátor teljesen fel van töltve. Húzza ki a töltőt az áramból. A túltöltés csökkentheti az akkumulátor élettartamát.
- Az akkumulátor töltésével kapcsolatos ajánlásoknak megfelelően járjon el. Ellenkező esetben az akkumulátor sérül és csökken az élettartama.
- A roller akkumulátorának töltési ideje kb. 2 óra. A gyártó az akkumulátor elhasználódására való tekintettel nem garantálja az azonos töltési időt és működési paramétereket.
- Az akkumulátort tiszta és száraz körülmények között töltsé.
- Ne töltsé az akkumulátort, amikor a tápcsatlakozó nedves.

Elő használat

Előkészítés

- Válasszon ki megfelelő helyet. Lehet ez kültér vagy beltér, de legalább 10 x 10 méteres terület (nagyjából 100 négyzetméter) álljon rendelkezésre. A kiválasztott terület legyen sima, nedvességtől és csúszós felülettől, akadálytól, járműtől, gyermekektől, háziállatoktól és egyéb figyelemelterelő dolgoktól mentes.
- Figyelemesen olvassa el a használati útmutatót, ha lehetséges vegye igénybe a biztonságos használat terén tapasztaltabb személy segítségét.
- Az esetleges sérülések elkerülése érdekében viseljen védősisakot és egyéb védőfelszerelést. Helyezze a rollert a kiválasztott terület közepére, majd jól ismerje meg a környezetet.

Beüzemelés

- A roller bekapcsolásához nyomja meg és tartsa lenyomva 2 másodpercig a POWER gombot; Ezt követően válassza ki a három sebességmód egyikét.
- Helyezze egyik lábát a platformra, a másikkal pedig rugaszkodjon el a talajtól, ezzel mozgásba hozva a rollert;
- Helyezze másik lábát is a platformra és igyekezzen megtartani egyensúlyát;
- Jobb hüvelykujjával nyomja meg a gyorsítás gombot. Ne haladjon túl gyorsan;
- Fékezéshez húzza meg bal kezével a fékkart, a fékerő növeléséhez gyengéden lépjen rá a hátsó sárvédőre;
- Amikor a roller lassan halad, vagy teljesen megáll, leléphet a roller platformjáról;
- Ha szeretné felhívni a járókelők figyelmét, használja a fékkar mellett található csengőt.

Tisztítás és tárolás

- Minden használat után tisztítsa meg a rollert.
- Ha a gumival lefedett felületeken makacs szennyeződések találhatók, használjon fogkefét és fogkrémet, majd puha ronggyal tisztítsa meg az adott felületet. Ezzel a módszerrel apró karcok is eltüntethetők.
- A rollert zárt, hűvös és száraz helyen tárolja. Ne tegye ki a rollert hosszan tartó napsugárzásnak.



Tisztításkor az akkumulátor töltőaljzata legyen szorosan lezárva, ellenkező esetben áramütésre kerülhet sor, a rollerben pedig komoly károsodás keletkezhet. Tilos a rollert magas nyomású vízzel tisztítani vagy vízbe meríteni - ez visszafordíthatatlan károsodást okozhat.

Akkumulátor karbantartása

Az akkumulátor a termék legfontosabb, karbantartást igénylő alkatrésze. Az élettartam meghosszabbításához az alábbi utasításoknak megfelelően járjon el:

- Olvassa el az akkumulátor jelölésére vonatkozó megjegyzéseket és azoknak megfelelően járjon el.
- Az akkumulátor legjobb tárolási hőmérséklete a 10 °C. Ne tárolja az akkumulátort -10 °C kisebb és 35 °C magasabb hőmérsékleten.
- Ha a környezeti hőmérséklet fagypont alatt van, ne töltsen az akkumulátort. Helyezze át egy olyan helyre, ahol a hőmérséklet 10 fok felett van, várjon egy keveset, majd csak ezt követően kezdje meg az akkumulátor töltését.
- Az akkumulátort tiszta és száraz, beltéri helyiségben tárolja. A nagyon nedves környezet vízlecsapódást okozhat az akkumulátor belsejében, ami az akkumulátor károsodásához vezethet.
- Ha a kijelzőn alacsony akkumulátor töltöttségre utaló jel látható, csatlakoztassa a töltőt. Igyekezzen elkerülni az akkumulátor teljes lemerülését. A roller használata előtt teljesen töltsen fel az akkumulátort. A gyakori töltés nem károsítja az akkumulátort. Ellenkezőleg, az akkumulátor lemerült állapotban való hosszantartó tárolása lerövidítheti az élettartamát.

Funkciók és műszaki adatok

- Motor: 350 W
- Akkumulátor: 36 V 5,0 Ah
- Cserélhető akkumulátor
- Maximális sebesség: 25 km/h (3 fokozatban állítható sebesség)
- Hatótáv: legfeljebb 20 km (terheléstől és felülettől függően)
- Maximális terhelhetőség: 120 kg
- Emelkedő dőlésszöge: 15-20 fok
- Tempomat funkció
- Hátsó fék - tárcsás, rásegítőfék (lábbal működtetett)
- 8,5" pumpálható kerék
- Elülső és hátsó LED lámpa
- Sebességet és akkumulátor töltöttséget megjelenítő LCD kijelző
- Figyelmeztető csengő
- Könnyen használható összecsukó mechanizmus
- Töltőáram: 42 V 2 A
- Töltési idő: 2 óra
- Méretek: 1056x420x450/1186 mm (összecsukva/kinyitva)
- Nettó tömeg: 13,5 kg

Tápegység műszaki adatai:

Bemeneti feszültség: 110-240 V~50/60 Hz

Max. bemeneti áramerősség: 2.5 A

Kimeneti feszültség: 42 V

Max. kimeneti áramerősség: 2 A

Varnostna opozorila

- Preučite in upoštevajte lokalne prometne predpise.
- Vedno nosite homologirano čelado ter zaščito (ščitnike) za komolce, kolena in zapestja.
- Preverite stanje baterije, ko je električni skiro vključen. Če je nivo napoljnenosti baterije pod 25%, se z električnim skirojem ne vozite dolgo časa.
- Preverite vizuelno stanje vašega električnega skiroja. Prepričajte se, da ni kakšen del skiroja slabo pritrjen in da ne proizvaja čudnih zvokov.
- Uporabnik mora biti zdrav, spočit, trezen in ne sme biti pod vplivom pomirjeval ali psihotropnih snovi, če se želi voziti z električnim skirojem.
- Ne pozabite, da ste na električnem skiroju 7 cm višji, zato bodite previdni, ko se zapeljete skozi vrata, pozorni bodite tudi na prometne znake, veje dreves in ostale ovire na višini, ter s tem zasčitite svojo glavo pred poškodbami.
- Električni skiro lahko uporabljajo otroci stari 12 let (ali več), vendar morajo imeti spremstvo oziroma nadzor. Osebe z omejenimi fizičnimi ali duševnimi zmožnostmi, pa tudi osebe brez predhodnih izkušenj z uporabo te naprave, morajo biti nadzorovane ter seznanjene s tveganji. Navodila za uporabo naj služijo kot referenca za varno uporabo te naprave. Otroci se z napravo ne smejo igrati. Otroci brez zagotovljenega nadzora ne smejo opravljati čiščenja in vzdrževanja naprave.
- Uporabljajte samo originalne dodatke in dodatke, ki jih priporoča proizvajalec. Uporaba pripomočkov, ki jih proizvajalec ne priporoča, lahko povzroči poškodbe naprave ali celo povzroči, da naprava ni več varna za uporabo.
- Napajalnik je potrebno priključiti na vtičnico, ki ustreza vrednostim, ki so predpisane na nalepki.
- Če je kabel, napajalni vtič ali adapter poškodovan ali če vtič ni skladen z zidno vtičnico, ne napajajte naprave in je ne priključujte na električno omrežje.
- Izključite AC napajalnik iz električne vtičnice, ko ni v uporabi.
- Ne priključujte ali izključujte napajalnika iz vira napajanja z mokrimi rokami.

Popolnoma prepovedano

- Ne vozite električnega skiroja v območjih, kjer je voznjakovsko prepovedana ali kjer velja kakšna druga uredba ali prepoved vožnje.
- Prepovedana je vožnja po pobočjih, katerih kot naklon presega 17 stopinj.
Ne zapeljite vluže ali vodnerезervoarje, katerih globina je večja od 5 cm.
- Ne vozite se z električnim skirojem po stopnicah.
- Ni dovoljenovozitipocestah, namenjenih za avtomobile in cestah, na katerih je vožnja prepovedana.
- Na električnem skiroju je prepovedano voziti večje število ljudi in otrok, tudi v ustreznih nosilih.
- Prepovedana je vožnja električnega skiroja brez da bi držali krmilo.
- Otrokom mlajšim od 12 let, ali osebam starejšim od 60 let je prepovedano, da se sami vozijo na električnem skiroju. Biti morajo v spremstvu drugih družinskih članov ali skrbnikov. Vožnja z električnim skirojem je za nosečnice, vinjene osebe, osebe z duševnimi motnjami in invalide z omejenimi sposobnostmi krmiljenja, prepovedana.
- Ne vozite električnega skiroja na nevarnem ali eksplozivnem območju.
- Ne telefonirajte med vožnjo z električnim skirojem.
- Izognite se vožnji v slabem vremenu, npr. močnem dežju, snegu, močnem vetru in po poledenelih, spolzkih ali blatnih cestah.

OPOZORILA PRED ZAČETKOM VOŽNJE!

- To otroško kolo ima v sprednjem kolesu nameščen električni motor. Vedite, da lahko uporaba kolesa v dežju ali na mokrih površinah povzroči zmočenje in posledično poškodovanje motorja. Taka napaka ni zajeta z garancijo.
- Maksimalni zaseg tega otroškega kolesa je odvisen od številnih različnih dejavnikov, kot so: teža uporabnika, vrsta površine ter oblika terena, na katerem se uporablja kolo, stil in način vožnje, atmosferski pogoji ter nivo zračnega tlaka v kolesih.

- Upoštevajte tudi to, da se sorazmerno s časom trajanja uporabe učinkovitost akumulatorja zmanjšuje. To je naraven proces in se ga ne sme obravnavati kot napako.



- Kolo ima napihljiva kolesa brez zračnic, ki z ustreznim zračnim tlakom v pnevmatikah blažijo vibracije med vožnjo.
- Treba je redno preverjati tlak v pnevmatikah, tako v cilju zagotavljanja optimalnega udobja pri vožnji, kot tudi kar najboljšega izkoristka napolnjenega akumulatorja. Otroško kolo je opremljeno s standardnima ventiloma, ki omogočata polnjenje pnevmatik z uporabo splošno dostopnih kompresorjev. V kompletu je tudi adapter za lažje polnjenje sprednjega kolesa.
- Prepovedana je vožnja s kolesom z nizkim tlakom v pnevmatikah, saj lahko to povzroči nesrečo in trajno poškodovanje pnevmatike, česar tudi ne krije garancija.

Pravilni nivo tlaka v pnevmatikah - 3-3,4 bar.

Navodila za uporabo

Zahvaljujemo se vam za nakup BLAUPUNKT ESC808 električnega skiroja. Prosimo preberite in shranite ta navodila za uporabo, da jih boste lahko prebrali tudi v prihodnje po potrebi. Informacije, ki jih boste pridobili v teh navodilih za uporabo, vam bodo v pomoč pri naslednjih področjih:

- Osnove delovanja in učenje vožnje z električnim skirojem.
- Varna vožnja z električnim skirojem.
- Sestava in vzdrževanje električnega skiroja.



Blaupunkt Competence Center 2N-Everpol Sp.z.o.o., izjavlja, da je ta naprava v skladu z naslednjimi direktivami

Evropske unije:

- Direktiva o nizki napetosti (LVD)
- Pravilnik o elektromagnetni združljivosti (EMC)

Slovenski prevod izjave o skladnosti najdete na: <http://lutmanco.com/izjave-o-skladnosti>.

Odgovorna oseba: 2N-Everpol Sp.z.o.o, Pulawska 403A, 02-801 Warsaw, Poland,

Telefon: +48 22 331 99 59, E-mail: info@everpol.pl



Simbol prečrtanega smetnjaka na izdelku, opozarja, da je izdelek zajet v Evropski Direktivi 2012/19/EU. Prosimo pozanimajte se o lokalnem načinu ločenega načina zbiranja odpadne električne in elektronske opreme. Upoštevajte navodila lokalnega podjetja, ki je pooblaščen za ravnanje z odpadki in ne odlagajte starih naprav z običajnimi gospodinjskimi odpadki. Pravilno odlaganje starega izdelka pomaga preprečevati morebitne negativne posledice za okolje in zdravje ljudi.



Izdelek vsebuje baterije, ki jih zajema Evropska Direktiva 2006/66/EC in prepoveduje njihovo odlaganje z običajnimi gospodinjskimi odpadki. Pozanimajte se o lokalnem načinu ločenega zbiranja baterij, saj s tem preprečujete negativne posledice nepravilnega odlaganja na okolje in človeško zdravje.

Okoljska informacija

Vsa nepotrebna embalaža je izključena. Proizvajalec je poskrbel, da embalažo lahko preprosto ločimo na tri materiale: lepenka (škatla), polistiren (zaščita) in polietilen (vrečke, zaščitna pena). Naprava je sestavljena iz materiala, ki je lahko recikliran ali ponovno uporabljen, če ga razstavi specializirano podjetje. Upoštevajte lokalne predpise o odlaganju embalaže, izpraznjenih baterij in odpadne elektronske opreme.



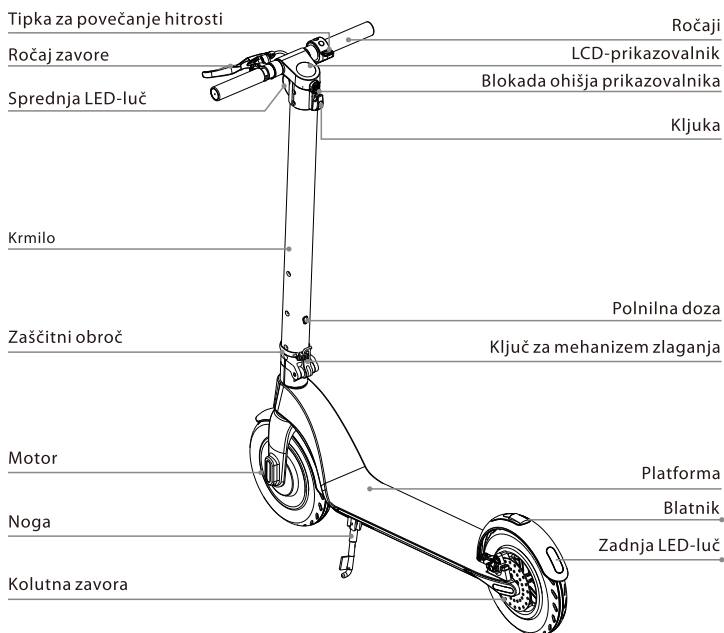
Izdelek je izdelan iz visoko kakovostnih materialov in komponent, ki so primerni za reciklažo in ponovno uporabo.

Glavne značilnosti električnega skiroja:

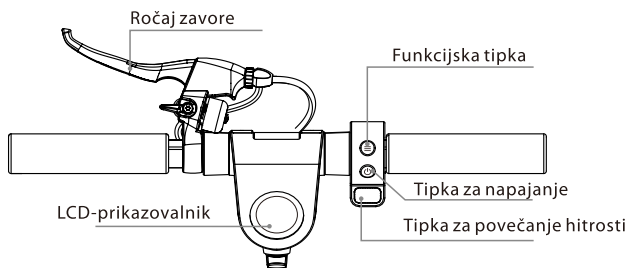
Blaupunkt ESC808 je inovativen zložljiv električni skiro. Uporabnik lahko stoji na skiroju in nastavi hitrost z ustreznim ročajem na krmilu.

- Sprednja in zadnja kolesa so simetrična, pogon na prednjih kolesih pa zagotavlja večjo varnost. 8.5" pnevmatike, polnjene z zrakom, povečajo udobje pri vožnji.
- Kolutna zavora, aktivirana z ročajem na volanu, in zadnja zavora zagotavljata krajšo zavorno pot in večjo varnost uporabnika.
- Naprava uporablja litij-ionsko baterijo, največji tok praznjenja je večji od 10A, velika moč brez efekta spomina in brez onesnaževanja.
- Skupna teža naprave je samo 13,5 kg. Zložljivi dizajn z enim ključem zagotavlja enostavno rokovanje in shranjevanje.

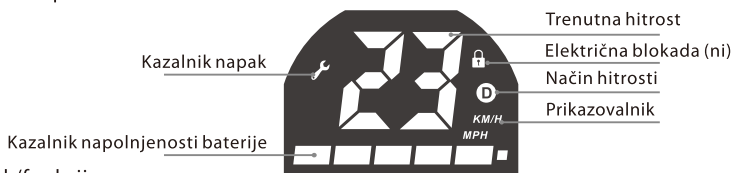
Konstrukcija elektrickej kolobežky:



Sestava krmilnega sistema



Sestava LCD-prikazovalnika



Opis tipk/funkcij:

1. Tipka za napajanje: dolgo pritisnite tipko za napajanje, da bi vklopili/izklopili napajanje.
2. Tipka za povečanje hitrosti: pritisnite desno tipko za povečanje hitrosti, da bi začeli vožnjo in povečali hitrost.
3. Zavora: pritisnite ročaj zavore, da bi ustavili skiro. Rahlo pritisnite zadnji blatnik, da bi pospešili zaviranje (ob zaviranju zadnja LED-luč utripa).
4. Funkcijska tipka: kratko pritisnite funkcijsko tipko, da bi izbrali način hitrosti:
 - a). Način za začetnike: ni ikone »D«.
 - b). Normalen način: ikona »D« sveti belo.
 - c). Športni način: ikona »D« sveti rdeče.
5. LED-razsvetljava: dvakrat pritisnite funkcijsko tipko, da bi vklopili sprednje in zadnje LED-luči; ponovno dvakrat pritisnite funkcijsko tipko, da bi izklopili luči.
6. Način tempomata: ohranjajte trenutno hitrost 6 sekund, da bi vklopili način tempomata; pritisnite tipko za povečanje hitrosti oz. pritisnite ročico zavore, da bi izklopili to funkcijo.

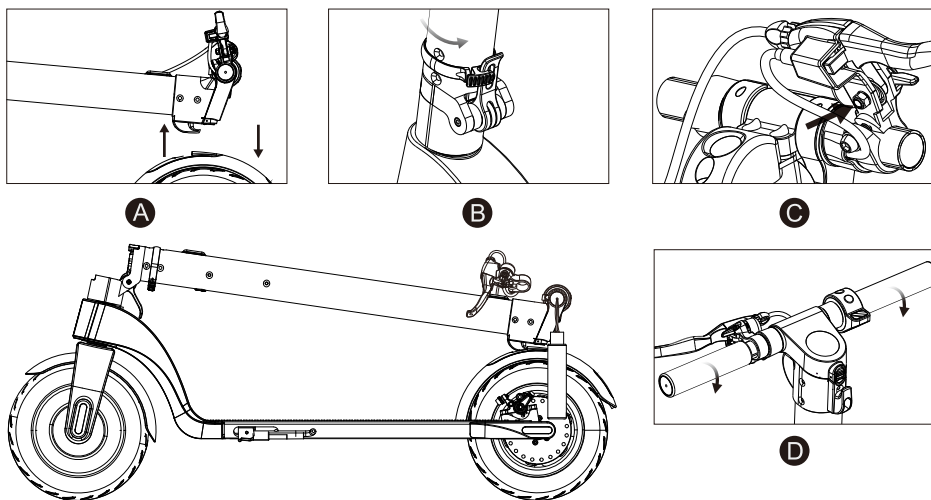
Razpakiranje

Po odprtju kartonske škatle najprej odstranite elektronski skiro in se prepričajte, da so vsi deli prisotni. Če karkoli manjka, se obrnite na prodajalca. Preverite stanje naprave, da se prepričate ali je zložljiv sistem dovolj stabilen in da na platformi ni nobenih razpok/poškodb. Poleg tega preverite, da je tudi zaslon brez poškodb.

Sestavljanje

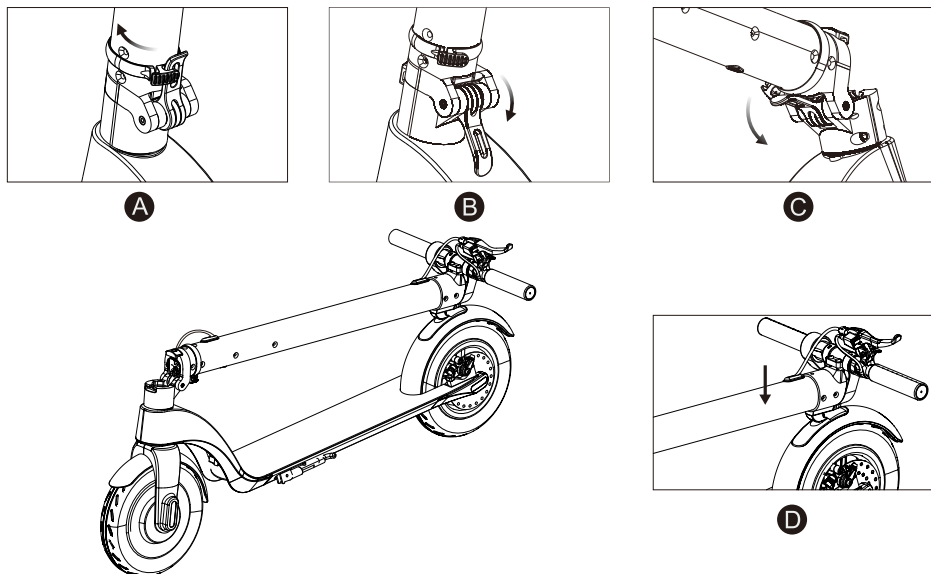
Potem, ko ste električni skiro odpakirali in pregledali stanje vseh njegovih komponent, lahko začnete s sestavljanjem. Sledite spodnjim slikovnim prikazom:

1. Sestavljanje



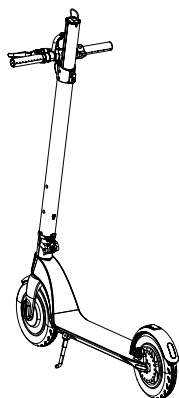
- A) Pritisnite zadnji blatnik, da bi sprostili blokado in privzdignili krmilo.
- B) Zapahnite mehanizem sestavljanja, tako da ključ privzdignete maksimalno navzgor, nato obrnite zaščitni obroč desno do konca, da bi zavarovali ključ pred samodejnim odklepanjem.
- C) S šestkotnim ključem M 6 pritrдите ohišje zavore.
- D) Privijte ročaje (pazite na smer privijanja).

2. Zlaganje

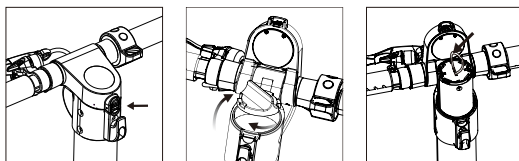


- A) Obrnite zaščitni obroč ključa levo.
- B) Do konca pritisnite ključ za mehanizem zlaganja.
- C) Nežno povlecite krmilo navzdol in ga zložite.
- D) Približajte kljuko na krmilu k luknji v zadnjem blatniku in pritisnite, da kljuka skoči na svoje mesto.

3. Montaža/Demontaža baterije



Montaža

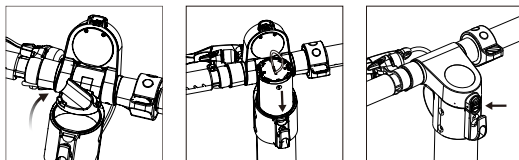


A

B

C

Demontaža



A

B

C

SLOVENŠČINA

Montaža baterije:

- A) Pritisnite tipko blokade ohišja prikazovalnika, ki se nahaja pod kljuko, in privzdignite ohišje.
- B) Obrnite pokrov baterije levo in jo odstranite.
- C) Namestite baterijo v odprtini v krmilu, namestite pokrov, tako da jo obrnete desno.

Demontaža baterije

- A) Odprite ohišje prikazovalnika s pritiskom na tipko pod kljuko in odprite pokrov baterije.
- B) Povlecite za barvno vrstico in odstranite baterijo.
- C) Namestite pokrov in ohišje prikazovalnika nazaj.

POZOR!

Odstranjeno baterijo lahko napolnite s pomočjo priloženega polnilnika.



Ne polnite baterije med uporabo, čiščenjem ali vzdrževanjem električnega skiroja.

Navodila za varno vožnj

Vsebina tega poglavja je zelo pomembna, natančno preberite in upoštevajte vsa varnostna pravila in postopke. Naše podjetje ni odgovorno za nesreče, ki povzročijo premoženjsko ali zdravstveno škodo zaradi kršitve (neupoštevanje) teh varnostnih navodil. Električni skiro ni samo zabavno orodje, temveč tudi prevozno sredstvo. Po pravilnih varnostnih ukrepih lahko med vožnjo zaščitite sebe in druge pred nesrečo. Upoštevajte, da lahko uporaba vašega električnega skiroja na javnih cestah povzroči trčenje drugih udeležencev v prometu, tudi če upoštevate vse varnostne ukrepe. Zelo pomembno je, da upoštevate varnostno razdaljo do drugih udeležencev na javnih cestah in ostalih vozil v prometu.

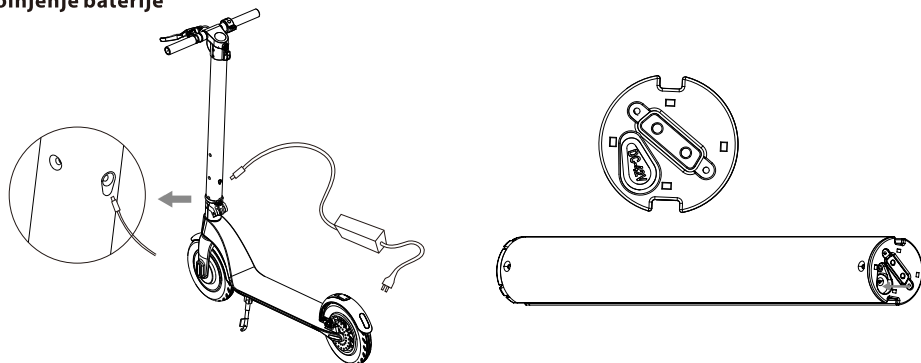
Vožnja z električnim skirojem

- Pri vožnji z električnim skirojem upoštevajte lokalne predpise za vožnjo po cesti. Da bi se izognili trčenju, vozite vaš skiro previdno in umirjeno in upoštevajte tudi druge udeležence v prometu, tako ljudi, kot ostala vozila in stvari.
- S svojim skirojem se vozite varno, s primerno hitrostjo in držite varnostno razdaljo do pešcev in ostalih vozil. Bodite pripravljeni, da kadar koli zabremzate in se ustavite. Izogibajte se nenadnemu pospeševanju in zaviranju.
- Ko hodite po pločniku, spoštujte pravice pešcev, na zožitvah jim prepustite prednost in ne prestrašite mimoidočih, še posebej otrok.
- Prilagodite hitrost električnega skiroja drugim udeležencem v prometu v preobremenjenih območjih.
- Če želite prehiteti skupino pešcev, poskrbite, da imate dovolj prostora, da to storite varno. Premikanje v množici z veliko hitrostjo je zelo nevarno.
- Ne parkirajte vašega električnega skiroja, tako da bi ovirali pot mimoidočim.
- Ko vozite električni skiro, bodite sproščeni, kolena imejte rahlo pokrčena in dvignjeno glavo.



V primeru naglega pospeševanja ali nenadnega zaviranja med vožnjo pri veliki hitrosti, uporabnik lahko izgubi ravnotežje in pride do padca oziroma nesreče. Poskušajte se taki situaciji izogniti.

Polnjenje baterije



- Prepričajte se, da je električna vtičnica suha.
- Ko polnjenje baterije poteka neposredno v skiroju, je treba odpreti zamašek vtičnice za polnjenje, ki se nahaja na krmilu, tik nad mehanizmom zlaganja. Ko se polni odstranjena baterija, je treba odpreti zamašek vtičnice za polnjenje, ki se nahaja v spodnjem delu baterije.
- Vtaknite napajalni kabel v vtičnico (110 V ~ 240 V, 50 Hz ~ 60 Hz), prepričajte se, da je prižgana zelena polnilna lučka in vstavite drugi priključek v polnilno vtičnico električnega skiroja.
- V kolikor se na napajalniku prižge rdeča LED lučka, potem se baterija pravilno polni, v nasprotnem primeru preverite povezavo z napajalnim kablom.
- Ko se prižge zelena LED lučka, je baterija polna. Izvlecite napajalni kabel napajalnika iz vtičnice. Dolgo trajajoča polnjenja lahko bateriji skrajšajo življensko dobo.
- Upoštevajte navodila za polnjenje baterije, ker boste v nasprotnem primeru poškodovali baterijo in ji skrajšali življensko dobo.
- Čas, ki je potreben za napolniti baterijo električnega skiroja je približno 2 uri. Zaradi obrabe proizvajalec ne more jamčiti, da bo delovanje in čas polnjenja baterije vedno enak.
- Zagotovite čiste in suhe pogoje med polnjenjem baterije.
- Ne polnite baterije v primeru, da je električna vtičnica mokra.

Prva vožnja

Priprave

- Izberite si željeno lokacijo. To je lahko prostor v naravi ali v zaprtem prostoru, pomembno je, da je površina vsaj 10 x 10 metrov (cca 100 kvadratnih metrov). Prostor, kjer se boste vozili naj bo raven, naj ne bo moker ali spolzek, brez ovir in brez vozil, otrok, hišnih ljubljencev ali kakršnih koli drugih motečih stvari, ki bi lahko odvrnile vašo pozornost.
- Natančno preberite ta priročnik z navodili, če pa imate možnost, se posvetujte z osebo, ki ima več izkušenj z varno vožnjo električnega skiroja.
- Nosite čelado in ščitnike, da bi se izognili morebitnim poškodbam. Premaknite skuter v središče območja, kjer se boste vozili in se seznanite s tem območjem.

Zagon

- Pritisnite in 2 sekundi pridržite tipko POWER, da bi vklopili SKIRO, nato izberite enega izmed treh načinov hitrosti.
- Z eno nogo stopite na desko, z drugo pa spravite skiro v pogon.
- Stopite na desko z drugo nogo in poskusite ohraniti ravnotežje.
- S palcem desne toke pritisnite tipko za povečanje hitrosti, vendar ne vozite prehitro.
- Za zaviranje z levo roko pritisnite ročico zavore, rahlo pritisnite zadnji blatnik, da bi pospešili zaviranje.
- Ko je hitrost skiroja neznatna oz. ko se je že ustavil, lahko stopite z deske.
- Za opozarjanje drugih udeležencev v prometu uporabite hupo na ročici zavore.

Čiščenje in skladiščenje

- Redno čistite električni skiro po vsaki uporabi.
- V kolikor se gumijaste površine težko očistijo, uporabite zobno ščetko in zobno pasto in jih očistite z mehko krpo. Ta metoda bo pomagala tudi pri odstranjevanju manjših odrgnin.
- Hranite električni skiro v pokritem, suhem in hladnem prostoru. Električnega skiroja ne izpostavljajte sončni svetlobi v daljšem časovnem obdobju.



Pri čiščenju mora biti posoda za polnjenje akumulatorja tesno zaprta, sicer lahko pride do električnega udara, pri tem pa se električni skiro lahko resno poškoduje. Za čiščenje električnega skiroja ne uporabljajte visokotlačnega čistilca in skiroja ne potaplajte v vodo - to lahko povzroči nepopravljivo škodo na električnem skiroju.

Vzdrževanje baterije

Baterija je najpomembnejši del električnega skiroja, ki ga je potrebno vzdrževati. Da bi podaljšali njeno življensko dobo, sledite spodnjim navodilom :

- Preberite in sledite označbam, ki so na bateriji.
- Idelana temperatura za hranjenje baterije je 10 stopinj Celzija. Ne hranite baterije na temperaturi nižji od -10 stopinj ali višji od 35 stopinj Celzija.
- Če je temperatura okolja pod 0 stopinj Celzija, ne smete polniti baterije, drugače jo postavite na mesto, na katerem je temperatura nad 10 stopinj, počakajte nekaj časa in le takrat začnite polnjenje.
- Baterijo hranite v hladnem in suhem prostoru. Zelo vlažen prostor lahko povzroči kondenzacijo v bateriji, kar jo lahko hitro poškoduje.
- Ko na zaslonu opazite, da je prikazano opozorilo za nizek nivo baterije, priključite baterijo na polnilnik. Izognite se popolnemu izpraznjenju baterije. Pred pričetkom vožnje, baterijo napolnite do polne vrednosti. Pogosto polnjenje bateriji ne bo škodovalo, ravno nasprotno pa bo dolgotrajno shranjevanje prazne baterije, bateriji škodilo in ji skrajšalo življensko dobo.

Funkcije in specifikacija

- Motor: 350 W
- Baterija: 36 V 5,0 Ah
- Zamenljiva baterija
- Maksimalna hitrost: 25 km/h (tristopenjska nastavitvev hitrosti)
- Domet: do 20 km (odvisno od obremenitve in vrste podlage)
- Maksimalna obremenitev: 120 kg
- Naklon vožnje: 15–20 stopinj
- Funkcija tempomata
- Zadnja zavora – kolutna, pomožna zavora (nožna)
- 8.5 " kolesa s polnjenimi pnevmatikami
- Sprednja in zadnja LED- luč
- Prikazovalnik LCD za prikaz hitrosti in napolnjenosti baterije
- Hupa
- Preprost mehanizem zlaganja
- Napajalni tok: 42 V 2 A
- Čas polnjenja: 2 ure
- Dimenzije: 1056 x 420 x 450/1186 mm (sestavljeno/razstavljeno)
- Neto teža: 13,5 kg

TEHNIČNI PODATKI POLNILCA:

Vhodna napetost: 110-240V~50/60Hz

Maksimalni vhodni tok: 2,5 A

Izhodna napetost: 42 V

Maksimalni izhodni tok: 2 A

Pravila sigurnosti

- Upoznajte i poštujujte lokalne propise u prometu.
- Uvijek nosite odobrenu kacigu i druge elemente koji štite laktove, koljena i zapešća.
- Provjerite stanje baterije nakon uključivanja električnog skutera. Ako je baterija manja od 25%, ne idite za duge vožnje.
- Provjerite izgled i stanje električnog skutera. Obratite pažnju, da li nisu postojeći elementi labavi i da li uređaj ne daje uznemirujuće zvukove.
- Korisnik bi trebao biti zdrav, odmoren, trijezan i ne smije uzimati prije vožnje nikakvih lijekova za smirenje i s psihotropnim tvarima.
- Zapamtite da kada ste u vožnji jeste oko 7 cm viši pa budite oprezni dok prolazite kroz vrata, pazite na znakove, grane i druge vrhunske prepreke kako biste zaštitili glavu od ozljeda.
- Ovu opremu se može koristiti od strane djece starije nego 12 godina i osobe sa smanjenim fizičkim, mentalnim i osoba s nedostatkom iskustva i znanja, ako će se ih osigurati ili ih uputiti u korištenju opreme na siguran način, tako da bi im bili razumljivi povezani rizici. Djeca ne bi smjela igrati s opremom. Djeca ne bi smjela obaviti čišćenje i održavanje opreme.
- Koristite samo originalne pribore ili opremu koje preporučuje proizvođač. Korištenje dodatne opreme ne preporučene od strane proizvođača može dovesti do oštećenja uređaja i ugroziti sigurnost korištenja.
- Napajanje mora biti spojeno samo na utičnicu s karakteristikama u skladu s vrijednostima na tipskoj pločici.
- Ako je kabel za napajanje ili utikač oštećen ili je utikač labav u električnoj utičnici, ne smije se puniti uređaj ili ga napajati iz mreže
- Odspojite punjač iz zidne utičnice kada nije proizvod u uporabi.
- Nikada ne uranjajte punjač u vodu ili druge tekućine.
- Nemojte spajati ili odspajati napajanje iz utičnice mokrim rukama.

Strogo je zabranjeno

- Nemojte voziti skuter u područjima zabranjenim prema lokalnim ili nacionalnim pravilom.
- Zabranjeno je da se krene po površinama čiji kut nagiba prelazi 17 stupnjeva, ne ulaziti u barice ili rezervoare za vodu, kojih je dubina veća od 5cm.
- Nemojte voziti skuter po stepenicama.
- Ne vozite po cestama namijenjenim za automobile, na strani cesta i po cestama gdje je promet zabranjen.
- Zabranjeno je kretanje na skuteru u nekoliko ljudi i prijenos djetu također u odobrenim nosiljkama.
- Zabranjeno je kretati na skuteru bez držanja volana.
- Zabranjeno je neovisno kretanje na skuteru za djecu do 12 godina i osobe starije od 60 godina. Tijekom vožnje, te osobe moraju biti u pratnji drugih članova obitelji ili skrbnika. Zabranjeno je voziti na skuteru trudnicama, netrijeznim osobama, osobama s duševnim smetnjama i osobama s invaliditetom s ograničenom sposobnošću.
- Ne smije se voziti skuterom u opasnim mjestima i ugroženim od požara ili eksplozije.
- Nemojte napraviti telefonske pozive tijekom vožnje skuterom.
- Izbjegavajte vožnju po lošem vremenu, kao što su jake kiše, snijeg, jaki vjetar i ledene, skliske i blatnjave ceste.

NAPOMENE PRIJE VOŽNJE!

- Ovaj romobil ima montiran električni motor u prednji kotač. Imajte na umu da vožnja po kiši ili po mokroj površini može uzrokovati namakanje motora koji se uslijed toga može pokvariti. Takav kvar jamstvo ne pokriva.
- Maksimalni domet romobila ovisi o više različitih čimbenika, između ostalog, o težini korisnika, površini po kojoj se kreće romobil, obliku terena, stilu i režimu vožnje, atmosferskim prilikama i odgovarajućoj razini tlaka u kotačima.
- Imajte na umu da je s vremenom učinkovitost baterije sve manja. To je prirodni proces i ne smatrajte to kvarom.



- Romobil ima napumpane kotače bez zračnica koji zahvaljujući odgovarajućem tlaku zraka u pneumaticima prigušuju vibracije tijekom vožnje.
- Redovito provjeravajte tlak u pneumaticima kako biste osigurali optimalnu ugodu tijekom vožnje i postigli maksimalni domet uz maksimalno napunjenu bateriju. Romobil ima standardne ventile i zato kotače možete pumpati pomoću općedostupnih kompresora. Komplet sadrži i adapter koji olakšava pumpanje prednjeg kotača.
- Zabranjena je vožnja na romobilu s niskim tlakom u pneumaticima jer može uzrokovati nesreću i trajno oštećenje pneumatika koje nije pokriveno jamstvom.

Pravilni raspon tlaka u pneumaticima iznosi 3-3,4 bara.

Upute za uporabu

Hvala na kupnji električnog skutera BLAUPUNKT ESC808. Pogledajte ovaj priručnik i pohranite ga za kasniju uporabu. Informacije sadržane u ovom priručniku će vam pomoći razumjeti sljedeća pitanja:

- Osnovno rukovanje i učenje vožnje na električnom skuteru.
- Sigurnost tijekom vožnje na električnom skuteru.
- Konstrukcija i održavanje električnog skutera.



Uređaj je sukladan zahtjevima direktiva Europske unije:

- Niskonaponski uređaji - Low voltage directive (LVD)
- Elektromagnetska kompatibilnost - Electromagnetic compatibility (EMC)

Proizvod je označen CE oznakom na tipskoj pločici



Ako je na vašem uređaju znak prekrížene kante za otpatke ovo označava da je proizvod pokriven odredbama Europske direktive 2012/19/EU. Molimo pogledajte zahtjeve lokalnog sustava za prikupljanje električnog otpada i elektroničke opreme. Nastavite u skladu s lokalnim propisima. Ne bacajte ovaj proizvod zajedno s kućnim otpadom. Ispravnim odlaganjem istrošenog proizvoda spriječit ćete potencijalne negativne posljedice na okoliš i zdravlje ljudi.

Detalje vaše najbliže točke sakupljanja otpada može se dobiti izravno od distributera ili tvrtke Blaupunkt Competence Center, 2N-Everpol Sp. z o.o., ul. Puławska 403A, 02-801 Varšava (Poljska), tel. +48 22 331 9959, e-mail: emobility@blaupunkt.pl



Uređaj je opremljen baterijama obuhvaćenim Europskom direktivom 2006/66/ES. Baterije se ne smiju odlagati zajedno s komunalnim otpadom. Molimo pogledajte lokalne propise o zasebnom prikupljanju baterija jer ispravnim odlaganjem spriječit ćete potencijalne negativne posljedice na okoliš i zdravlje ljudi.

Informacije o zaštiti okoliša

Paket uključuje samo nužne stvari. Svaki napor je napravljen da bi tri komponente pakiranja se moglo lako odvojiti: karton (kutija), polistiren pjena (zaštita unutrašnjosti) i polietilen (vrećice, zaštitna folija). Uređaj je izrađen od materijala kojih se može reciklirati i ponovo upotrijebiti nakon demontaže od strane specijalizirane tvrtke. Poštujte lokalne propise o raspolaganju ambalažnih materijala, istrošenih baterija i nepotrebne opreme.



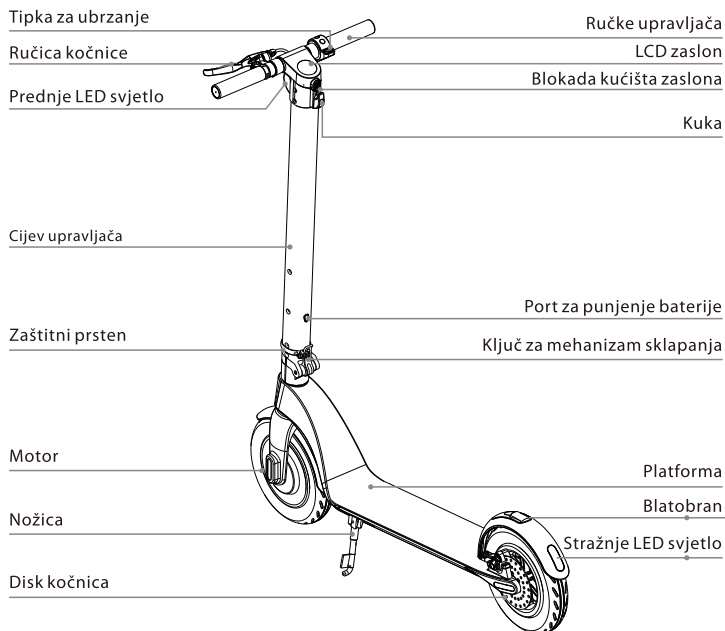
Proizvod je izrađen od visokokvalitetnih materijala i dijelova kojih se može reciklirati i ponovo upotrijebiti.

Glavne značajke električnih skutera:

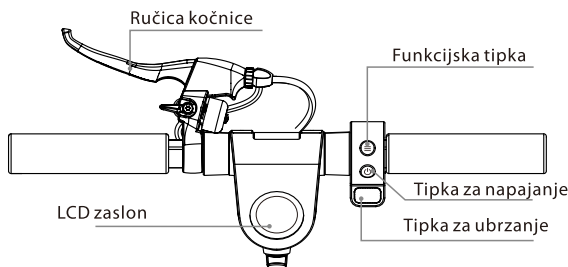
Blaupunkt ESC808 je inovativni sklopivi električni skuter. Korisnik može stajati na platformi i prilagoditi brzinu skutera odgovarajućim mjenjačem na volanu.

- Prednji i stražnji kotači su simetrični, pogon na prednje kotače pruža veću sigurnost kretanja. 8.5" napumpani kotači povećavaju ugodu vožnje.
- Disk kočnica koja se pokreće ručicom na upravljaču i stražnja nožna kočnica osiguravaju najkraći put kočenja i mogu bolje zaštititi vozača.
- Uređaj koristi litij-ionsku bateriju, maksimalna struja pražnjenja viša od 10A, velike snage opterećenja bez efekta memorije, bez nečistoća.
- Ukupna težina uređaja je samo 13,5 kg. Sklopivi dizajn s jednim ključem će jamčiti praktičnost rukovanja i skladištenja.

Konstrukcija elektricke kolobežke:

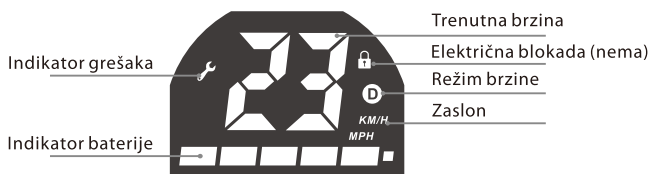


Građa sustava za upravljanje



HRVATSKI

Građa LCD zaslona



Opis tipki/funkcija:

1. Tipka za napajanje: duže pritisnite tipku za napajanje da biste uključili / isključili napajanje;
2. Tipka za ubrzanje: pritisnite desnu tipku za ubrzanje da biste krenuli i ubrzali;
3. Kočnica: pridržite ručicu kočnice da biste zakočili. Malo pritisnite stražnji blatobran da biste olakšali kočenje (tijekom kočenja stražnje LED svjetlo treperi).
4. Funkcijska tipka: kratko pritisnite funkcijsku tipku da biste odabrali režim brzine:
 - a. Režim za početnike: nema ikone „D”
 - b. Normalni režim: ikona „D” svijetli bijelom bojom
 - c. Sportski režim: ikona „D” svijetli crvenom bojom
5. LED osvjetljenje: Dva puta pritisnite funkcijsku tipku da biste uključili prednje i stražnje LED svjetlo; ponovno dva puta pritisnite funkcijsku tipku da biste isključili LED svjetlo.
6. Režim tempomata: 6 sekundi zadržite trenutnu brzinu da biste uključili režim tempomata; pritisnite tipku za ubrzanje ili ručicu kočnice da biste isključili funkciju tempomata.

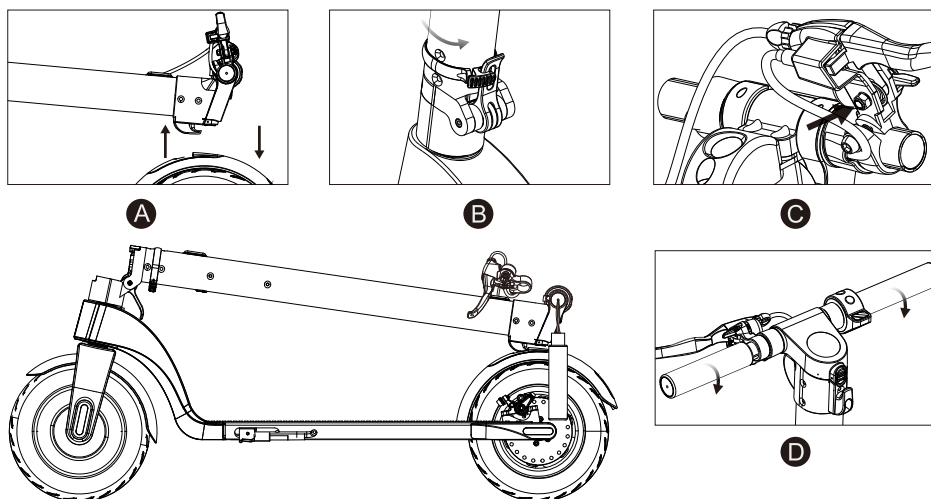
Raspakiranje

Nakon otvaranja kutije paket, prvo uzimajte skuter i provjerite da li su svi dijelovi kompletni. Ako nešto nedostaje, obratite se prodavaču. Provjerite stanje uređaja i vanjskog izgleda, preklopnih sustava jesu li dovoljno stabilni, da li platforma nema pukotina. Također provjerite je li zaslon nije oštećen.

Montaža

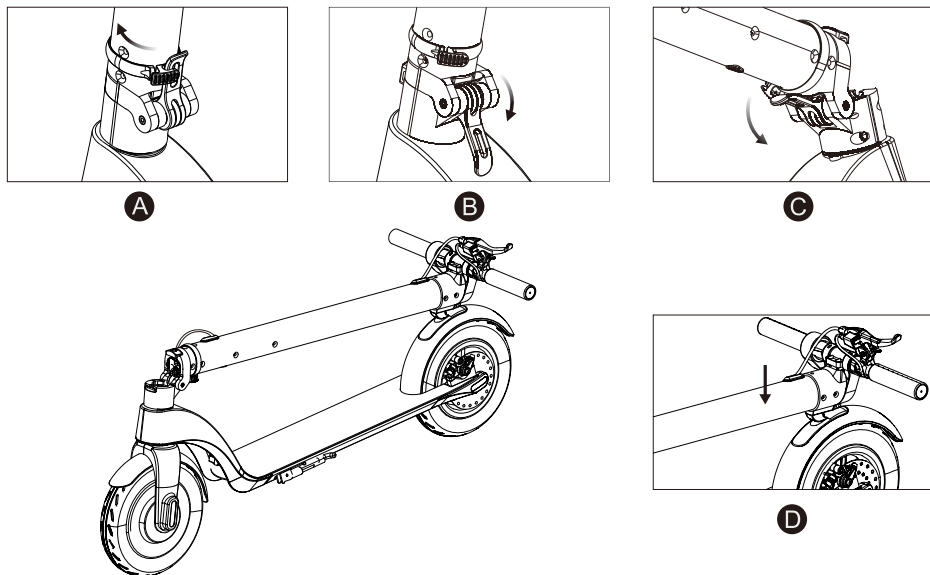
Nakon raspakiranja i provjere stanja svih elemenata može se montirati skuter. Slijedite ove slikovne upute:

1. Rasklapanje



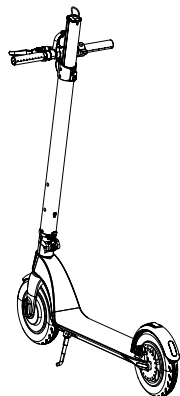
- A. Pritisnite stražnji blatobran da biste oslobodili blokadu i podigli cijev upravljača u vertikalni položaj.
- B. Blokirajte mehanizam sklapanja dizanjem ključa maksimalno prema gore, zaštitite ključ od deblokiranja okretanjem zaštitnog prstena maksimalno udesno.
- C. Pričvrstite kućište kočnice koristeći šesterokutni ključ M6.
- D. Pričvrstite ručke upravljača (vodite računa o smjeru zavrtnja).

2. Sklapanje

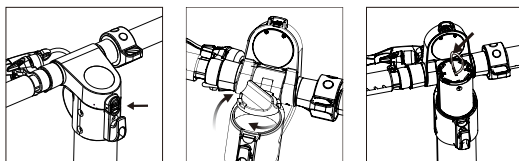


- A. Okrenite prsten za zaštitu ključa ulijevo.
- B. Pritisnite ključ mehanizma sklapanja maksimalno prema dolje.
- C. Nježno sklopite cijev upravljača vukući je prema dolje.
- D. Približite kuku na cijevi upravljača otvoru na stražnjem blatobranu i pritisnite tako da se blokira.

3. Montaža / demontaža baterije



Montaža

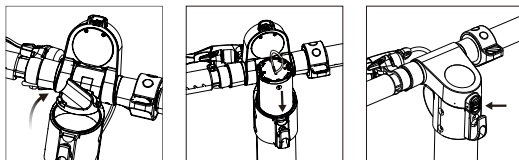


A

B

C

Demontaža



A

B

C

HRVATSKI

Montaža baterije:

- A. Pritisnite tipku blokade kućišta zaslona koja se nalazi iznad kuke i podignite kućište prema gore.
- B. Okrenite poklopac baterije ulijevo i izvadite ga.
- C. Umetnite bateriju u otvor na cijevi upravljača i zatvorite poklopac okretanjem udesno.

Demontaža baterije

- A. Otvorite kućište zaslona pritiskom na tipku iznad kuke i otvorite poklopac baterije.
- B. Povucite bateriju za šarenu traku i izvadite je.
- C. Zatvorite poklopac baterije i spustite kućište zaslona.

NAPOMENA!

Baterija se nakon vađenja može puniti pomoću priloženog punjača.



Ne punitite bateriju dok se kreće, sklopi, čisti ili održava skuter.

Vodič za sigurnu vožnju

Sadržaj ovog poglavlja je vrlo važni, čitajte ga pažljivo i slijedite sva sigurnosna pravila i procedure. Naša tvrtka nije odgovorna za nezgode koje dovode do gubitka imovine ili gubitka zdravlja zbog kršenja uputa iz ovog vodiča za sigurnu vožnju.

Električni skuter je alat za zabavu, ali i sredstvo prijevoza. Poštivanje relevantnih sigurnosnih pravila tijekom vožnje može vas i druge zaštititi od nesreće. Imajte na umu da korištenje skutera na terenu i na javnim cestama povezano je s rizikom od sudara uzrokovanim od drugih sudionika prometa, čak i ako se poštuje sva sigurnosna pravila. Vrlo je važno održavati odgovarajuću udaljenost od drugih cesta i ostalih vozila.

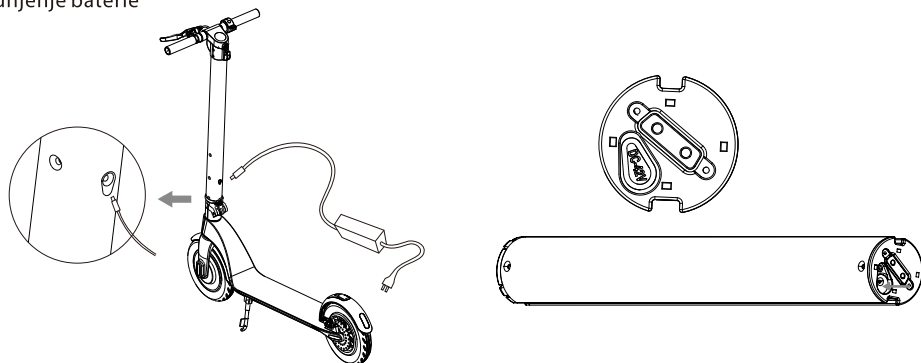
Kretanje na skuteru

- Kada se kreće na skuteru mora se poštivati lokalne propise u prometu. Skuter treba provoditi pažljivo i mirno obračujući pozornost na druge ljude i predmete kako biste izbjegli sudar.
- Pomicajte na skuteru na siguran način uz zadržavanje kontrolirane brzine i odgovarajuće udaljenosti od drugih vozila i pješaka. Budite spremni da se zaustavite u bilo kojem trenutku. Izbjegavajte naglo ubrzavanje i naglo kočenje.
- Tijekom premještanja na pločniku poštivati prava pješaka, dati na njih prilikom prolaska kroz pojaseve, a ne preplašite prolaznike, osobito djecu.
- Treba prilagoditi brzinu skutera na ostale sudionike u prometu u gužvi. Ako želite biti ispred skupine pješaka, pobrinite se da imate dovoljno prostora i učinite manevar na siguran način. Kretanje u gužvi pri velikoj brzini je vrlo opasno.
- Ne parkirajte skuter na mjestu u kojem će biti teško pomaknuti pješacima.
- Kada vozite skuterom trebate biti opušteni s lagano savijenim koljenim i podignutom glavom.



V primeru naglega pospešavanja ali nenadnega zaviranja med vožnjo pri veliki hitrosti, uporabnik lahko izgubi ravnotežje in pride do padca oziroma nesreče. Poskušajte se taki situaciji izogniti.

Punjenje baterije



- Uvjerite se da je utičnica suha.
- Ako se punjenje obavlja dok je baterija montirana na romobil, treba otvoriti čep utičnice za punjenje baterije koji se nalazi na cijevi upravljača, odmah iznad mehanizma za sklapanje romobila. Ako se punjenje obavlja dok je baterija demontirana s romobila, treba otvoriti čep utičnice za punjenje koji se nalazi u njenom donjem dijelu.
- Priključite napajanje na izvor napajanja, pobrinite se da zeleno svjetlo punjača svijetli normalno, umetnite drugi utikač u utičnicu za punjenje na skuteru.
- Kada svijetli crveno svjetlo napajanja, to znači da je ispravno punjenje baterije, inače provjerite sve kableske spojeve.
- Kada će se crveno svjetlo promijeniti u zeleno, zatim u potpunosti napunili ste bateriju. Isključite napajanje iz izvora napajanja. Dugoročno punjenje može skratiti vijek trajanja baterije.
- Slijedite upute za punjenje baterije, inače će oštetiti bateriju i skratiti vijek njezinog trajanja.
- Vrijeme punjenja baterije skutera je oko 2 sata. Ne može se garantirati uvijek isto vremensko punjenje akumulatora zbog trošenja.
- Osigurajte čiste i suhe uvjete tijekom punjenja
- Nemojte puniti bateriju kad je utičnica mokra.

Prva vožnja

Priprema

- Odaberite pravo mjesto. Ovaj položaj može biti unutar ili izvan, mora imati površinu od 10 x 10 metara (oko 100 četvornih metara). Mjesto treba biti ravno, ne mokro i sklisko, bez prepreka, bez vozila, djeca, kućnih ljubimca ili bilo kojih drugih stvari koje bi mogle ometati pažnju.
- Pažljivo pročitajte upute, ako imate priliku dobijte savjete od iskusnijih ljudi na području sigurne vožnje.
- Nosite kacigu i jastučići kako bi se izbjegle moguće ozljede. Pomicajte skuter na sredinu mjesta, po kojem ćete voziti i pogledajte površinu.

Pokretanje

- Pritisnite i 2 sekunde zadržite tipku POWER da biste uključili romobil; zatim izaberite jednu od tri brzine.
- Jednu nogu stavite na platformu, drugom nogom se odgurnite da biste pokrenuli romobil.
- Stavite drugu nogu na platformu i nastojite održati ravnotežu.
- Palcem desne ruke pritisnite tipku za ubrzavanje, nemojte voziti prebrzo.
- Lijevom rukom pritisnite ručicu kočnice da biste zakočili, blago pritisnite stražnji blatobran da biste olakšali kočenje.
- Ako se romobil kreće malom brzinom ili je zaustavljen, možete sići s platforme.
- Da biste upozorili druge korisnike na mjestu na kojem vozite, koristite zvono koje je pokraj ručice kočnice.

Čišćenje i skladištenje

- Očistite skuter nakon svake vožnje.
- Ako su gumene površine teško onečišćene, koristite četkicu za zube i pastu za zube, pa ta mjesta očistite mekom krpom. Ovom metodom se također može ukloniti manje ogrebotine.
- Skuter čuvati u zatvorenom prostoru na hladnom i suhom mjestu. Skuter ne izlažite dugotrajnom sunčevom zračenju.



Prilikom čišćenja utor za punjenje baterije mora biti čvrsto zatvoren, inače postoji mogućnost strujnog udara i oštećenja skutera. Ne perite skuter strujom vode pod tlakom ili ne uranjajte u vodu, - to može uzrokovati nepopravljive štete na uređaju.

Održavanje baterije

Baterija je najvažniji dio za održavanje. Za produžavanje njezinog života, slijedite upute u nastavku:

- Pročitajte i slijedite upute o održavanju baterije.
- Najbolja temperatura za pohranu baterija je 10 stupnjeva. Ne skladištiti bateriju na temperaturi nižoj od -10 stupnjeva ili višoj od 35 stupnjeva.
- Ako je temperatura okoline ispod 0 stupnjeva ne punite bateriju – odnesite je na mjesto gdje je temperatura iznad 10 stupnjeva, pričekajte trenutak i tek onda počnite s punjenjem baterije.
- Spremite bateriju u zatvorenom prostoru na hladnom i suhom mjestu. Vrlo vlažno mjesto može uzrokovati kondenzaciju unutar baterije, što može brzo oštetiti bateriju.
- Kada se na zaslonu prikazuje nisko stanje napunjenosti baterije, spojite ga na punjač. Pokušajte ne dopustiti da se baterija u potpunosti isprazni. Napunite bateriju u potpunosti prije vožnje. Često punjenje neće oštetiti bateriju. Naprotiv, dugoročno stanje niske baterije može skratiti njezin život

Funkcije i specifikacija

- Motor: 350 W
- Baterija: 36 V 5.0 Ah
- Zamjenjiva baterija
- Maksimalna brzina: 25 km/h (3-stupanjska regulacija brzine)
- Domet: do 20 km (ovisno o opterećenju i površini ceste)
- Maksimalno opterećenje: 120 kg
- Nagib vozila: 15-20 stupnjeva
- Funkcija tempomata
- Stražnja kočnica – disk kočnica, dodatna kočnica (nožna)
- 8.5" napumpani kotači
- Prednje i stražnje LED svjetlo
- LCD zaslon koji prikazuje brzinu i napunjenost baterije
- Zvono za upozoravanje
- Jednostavni mehanizam sklapanja
- Struja napajanja: 42 V 2 A
- Vrijeme punjenja: 2 sata
- Dimenzije: 1056x420x450/1186 mm (sastavljeno/rastavljeno)
- Neto težina: 13,5 kg

Tehnički podaci punjača:

Ulazni napon: 110-240 V~50/60 Hz

Maks. ulazna struja: 2.5 A

Izlazni napon: 42 V

Maks. izlazni napon: 2 A

Κανόνες ασφαλείας

- Εξοικειωθείτε και συμμορφώνεστε με τον Κώδικα Οδικής Κυκλοφορίας
- Να φοράτε πάντα ένα εγκεκριμένο κράνος και προστατευτικά αγκώνων, γόνατος και καρπού.
- Ελέγξτε την κατάσταση φόρτισης της μπαταρίας όταν είναι ενεργοποιημένο το σκούτερ. Εάν η φόρτιση της μπαταρίας είναι μικρότερη από 25%, μην οδηγείτε για μεγάλο χρονικό διάστημα.
- Ελέγξτε την εμφάνιση και την κατάσταση του ηλεκτρικού σκούτερ σας.
Βεβαιωθείτε ότι δεν υπάρχουν τμήματα χαλαρά και ότι δεν υπάρχουν μη φυσιολογικοί θόρυβοι.
- Ο χρήστης πρέπει να είναι υγιής, ξεκούραστος, νηφάλιος και να μην παίρνει καθόλου ηρεμιστικά ή φάρμακα πριν οδηγήσει.
- Θυμηθείτε ότι είστε 7 εκ. Ψηλότεροι κατά την οδήγηση, οπότε προσέχετε όταν οδηγείτε μέσα από την πόρτα, προσέξτε σημεία, κλαδιά και άλλα ανώτερα εμπόδια για να προστατεύσετε το κεφάλι σας από τραυματισμό.
- Αυτός ο εξοπλισμός μπορεί να χρησιμοποιηθεί από παιδιά ηλικίας 12 ετών και άνω, εφόσον υπάρχει επίβλεψη. Τα άτομα με μειωμένες σωματικές ή πνευματικές ικανότητες, καθώς και άτομα χωρίς προηγούμενη εμπειρία χρήσης αυτού του εξοπλισμού πρέπει να επιβλέπονται και να ενημερώνονται για τους κινδύνους. Το εγχειρίδιο οδηγιών θα πρέπει να χρησιμοποιείται ως σημείο αναφοράς για την ασφαλή χρήση αυτού του εξοπλισμού. Τα παιδιά δεν πρέπει να παίζουν με τον εξοπλισμό. Τα παιδιά που δεν έχουν εξασφαλισμένη επίβλεψη δεν πρέπει να επιτρέπεται να εκτελούν τον καθαρισμό και τη συντήρηση του εξοπλισμού.
- Πρέπει να χρησιμοποιούνται μόνο τα εξαρτήματα του πρωτοτύπου, καθώς και τα εξαρτήματα που συνιστώνται από τον κατασκευαστή. Η χρήση εξαρτημάτων που δεν συνιστώνται από τον κατασκευαστή μπορεί να προκαλέσει βλάβη στη συσκευή και μπορεί να καταστήσει τη συσκευή ασφαλής για χρήση.
- Ο μετασχηματιστής εναλλασσόμενου ρεύματος πρέπει να είναι συνδεδεμένος σε μια πρίζα με χαρακτηριστικά συμβατά με τις τιμές στην ετικέτα διαβάθμισης.

- Εάν το καλώδιο ή το βύσμα ή ο μετασχηματιστής είναι κατεστραμμένα ή το φις έχει χαλαρή ηλεκτρική πρίζα, μην φορτίζετε τη συσκευή και μην την τροφοδοτείτε από το δίκτυο.
- Αποσυνδέστε το μετασχηματιστή εναλλασσόμενου ρεύματος από την πρίζα όταν δεν χρησιμοποιείται.
- Μην συνδέετε ή αποσυνδέετε τον προσαρμογέα από την πηγή ρεύματος με βρεγμένα χέρια.

Απαγορεύεται πλήρως

- Μην οδηγείτε ένα σκούτερ σε περιοχές απαγορευμένες από την τοπική ή την εθνική νομοθεσία.
- Απαγορεύεται η μετακίνηση σε πλαγιές των οποίων η γωνία κλίσης υπερβαίνει τους 17 βαθμούς, δεν εισέρχονται σε λακκούβες ή δεξαμενές νερού των οποίων το βάθος είναι μεγαλύτερο από 5 εκατοστά.
- Μην οδηγείτε ένα σκούτερ στις σκάλες.
- Δεν επιτρέπεται η οδήγηση σε δρόμους που προορίζονται για αυτοκίνητα, δρόμους ή δρόμους στους οποίους απαγορεύεται να οδηγούν.
- Απαγορεύεται η μετακίνηση πολλών ατόμων στο σκούτερ ή η μεταφορά παιδιών, επίσης σε κατάλληλους ιμάντες μεταφοράς.
- Απαγορεύεται η μετακίνηση στο σκούτερ χωρίς να κρατάτε το τιμόνι.
- Απαγορεύεται στα παιδιά κάτω των 12 ετών ή σε άτομα άνω των 60 ετών να μετακινούνται μόνοι τους στο σκούτερ. Πρέπει να συνοδεύονται από άλλα μέλη της οικογένειας ή φροντιστές. Απαγορεύεται η οδήγηση στο σκούτερ για έγκυες γυναίκες, μεθυσμένους ανθρώπους, άτομα με ψυχικές διαταραχές ή άτομα με ειδικές ανάγκες με περιορισμένες ικανότητες διεύθυνσης.
- Μην οδηγείτε σκούτερ σε επικίνδυνες ή εκρηκτικές θέσεις.
- Μην τηλεφωνείτε κατά την οδήγηση του σκούτερ.
- Αποφύγετε την οδήγηση σε καιρικές συνθήκες, όπως έντονες βροχές, χιόνι, ισχυρός άνεμος και σε παγωμένους, ολισθηρούς ή λασπώδεις δρόμους.

ΠΑΡΑΤΗΡΗΣΕΙΣ ΠΡΙΝ ΞΕΚΙΝΗΣΕΤΕ ΤΗΝ ΟΔΗΓΗΣΗ!

- Το πατίνι διαθέτει ηλεκτρικό κινητήρα τοποθετημένο στην μπροστινή ρόδα. Θα πρέπει να θυμάστε ότι το να οδηγείτε το πατίνι στη βροχή ή σε υγρές επιφάνειες μπορεί να

προκαλέσει εισροή νερού και επακόλουθη ζημιά στον κινητήρα. Αυτό το ελάττωμα δεν καλύπτεται από την εγγύηση.

- Η μέγιστη εμβέλεια του πατινιού εξαρτάται από πολλούς διαφορετικούς παράγοντες, όπως: το βάρος του χρήστη, η επιφάνεια στην οποία κινείται το πατίνι, το έδαφος, το στυλ και ο τρόπος οδήγησης, οι ατμοσφαιρικές συνθήκες και η κατάλληλη στάθμη πίεσης αέρα στις ρόδες.
- Πρέπει επίσης να θυμάστε ότι η απόδοση της μπαταρίας μειώνεται με την πάροδο του χρόνου. Αυτή είναι μια φυσική διαδικασία και δεν πρέπει να αντιμετωπίζεται ως δυσλειτουργία.



- Το πατίνι έχει φουσκωμένες ρόδες χωρίς σαμπρέλες, οι οποίες χάρη στην κατάλληλη πίεση αέρα στα ελαστικά αποσβήνουν τους κραδασμούς κατά την οδήγηση.
- Πρέπει να ελέγχετε τακτικά την πίεση των ελαστικών για να εξασφαλίσετε τη βέλτιστη άνεση οδήγησης καθώς και την καλύτερη δυνατή εμβέλεια με μια πλήρως φορτισμένη μπαταρία. Το πατίνι κατέχει πρότυπες βαλβίδες, χάρη στις οποίες είναι δυνατή η άντληση ροδών με τη χρήση γενικών διαθέσιμων συμπιεστών. Το σετ έρχεται επίσης με έναν προσαρμογέα για τη διευκόλυνση φουσκώματος της μπροστινής ρόδας.
- Απαγορεύεται η οδήγηση του πατινιού με χαμηλή στάθμη πίεσης στα ελαστικά, καθώς αυτό μπορεί να προκαλέσει ατύχημα και μόνιμη ζημιά στο ελαστικό που δεν καλύπτεται από την εγγύηση.

Η σωστή εύρος πίεσης ελαστικών είναι - 3-3,4 bar.

Εγχειρίδιο οδηγιών

Σας ευχαριστούμε που αγοράσατε το ηλεκτρικό σκούτερ μας BLAUPUNKT ESC808. Διαβάστε αυτό το εγχειρίδιο και κρατήστε το για μελλοντική αναφορά. Οι πληροφορίες που περιέχονται σε αυτό το εγχειρίδιο θα σας βοηθήσουν να εξοικειωθείτε με το τα ακόλουθα θέματα:

- Βασική λειτουργία και εκμάθηση πώς να οδηγείτε σε ηλεκτρικό σκούτερ.
- Ασφάλεια κατά την οδήγηση σε ηλεκτρικό σκούτερ.
- Κατασκευή και συντήρηση ηλεκτρικού σκούτερ.



Η συσκευή συμμορφώνεται με τις απαιτήσεις των ακόλουθων οδηγιών της Ευρωπαϊκής Ένωσης:

- Ηλεκτρικός εξοπλισμός χαμηλής τάσης - Οδηγία χαμηλής τάσης (LVD)
- Ηλεκτρομαγνητική συμβατότητα (EMC)

Το προϊόν φέρει την ένδειξη CE στην πινακίδα τύπου



Αν στη συσκευή εμφανίζεται ένα σύμβολο διαγραμμένου κάδου απορριμμάτων, αυτό σημαίνει ότι καλύπτεται το προϊόν με την Ευρωπαϊκή Οδηγία 2012/19 / ΕΕ. Εξοικειωθείτε με τις απαιτήσεις της τοπικής σας ηλεκτρικής και ηλεκτρονικού σύστημα συλλογής αποβλήτων. Ακολουθήστε τους τοπικούς κανονισμούς. Μην απορρίπτετε αυτό το προϊόν με τα οικιακά απορρίμματα. Η σωστή διάθεση του παλαιού προϊόντος θα αποτρέψει τυχόν αρνητικές επιπτώσεις στην το περιβάλλον και την ανθρώπινη υγεία.



Η συσκευή είναι εξοπλισμένη με μπαταρίες που καλύπτονται από την Ευρωπαϊκή Οδηγία 2006/66 / ΕΚ. Μην απορρίπτετε των μπαταριών με οικιακά απορρίμματα. Ανατρέξτε στους τοπικούς κανονισμούς για τη χωριστή συλλογή του μπαταρίες, δεδομένου ότι η σωστή διάθεσή τους θα αποτρέψει πιθανές αρνητικές συνέπειες για το περιβάλλον και το περιβάλλον ανθρώπινη υγεία.

Πληροφορίες σχετικά με την προστασία του περιβάλλοντος

Η συσκευασία περιέχει μόνο τα απαραίτητα στοιχεία. Έχουν καταβληθεί όλες οι προσπάθειες για να εξασφαλιστεί ότι τα τρία υλικά συσκευασίας είναι εύκολο να διαχωριστούν: χαρτόνι (κουτί), αφρός πολυστερίνης (εσωτερικός προστασία) και πολυαιθυλένιο (τσάντες, προστατευτικό φύλλο). Η συσκευή κατασκευάζεται από ανακυκλώσιμα υλικά και μπορεί να χρησιμοποιηθεί ξανά μετά την αποσυναρμολόγησή του από μια εξειδικευμένη εταιρεία. Παρατηρώ τοπικούς κανονισμούς για τη διάθεση υλικών συσκευασίας, αποβλήτων μπαταριών και περιττές εξοπλισμός.



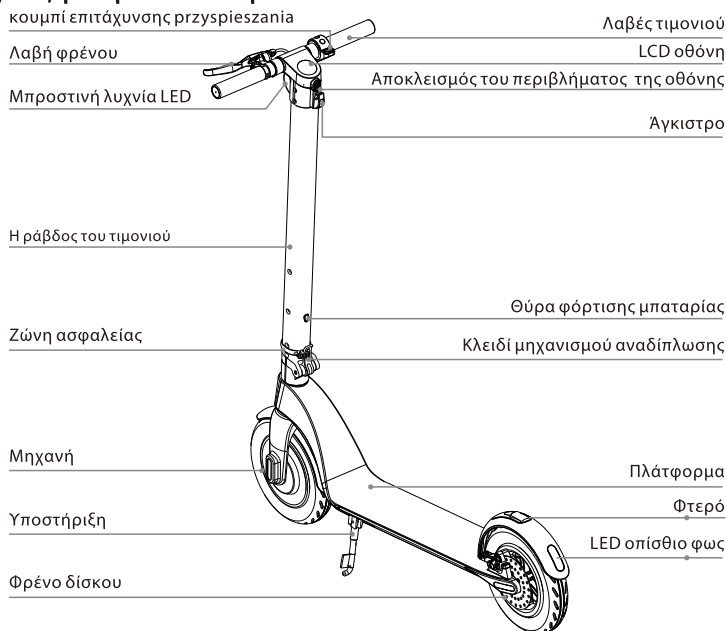
Το προϊόν είναι κατασκευασμένο από υψηλής ποιότητας υλικά και εξαρτήματα που μπορούν να ανακυκλωθούν και επαναχρησιμοποιήθηκαν.

Κύρια χαρακτηριστικά του ηλεκτρικού σκούτερ:

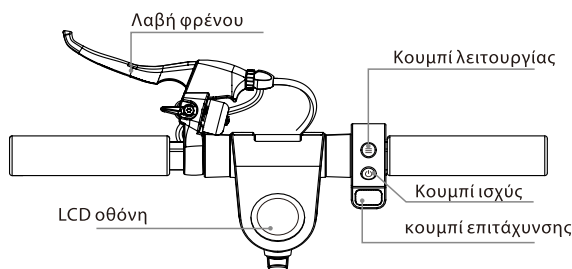
Το Blaupunkt ESC808 είναι ένα πρωτοποριακό αναδιπλούμενο ηλεκτρικό σκούτερ. Ο χρήστης μπορεί να παραμείνει στην πλατφόρμα του σκούτερ και να ρυθμίσει την ταχύτητα χρησιμοποιώντας τη κατάλληλη λαβή στο τιμόνι.

- Οι εμπρός και πίσω τροχοί είναι συμμετρικοί και ο εμπρός τροχός προσφέρει μεγαλύτερη ασφάλεια για την κινητικότητα. Οι 8.5" αντλίες αυξάνουν την άνεση οδήγησης
- Το φρένο δίσκου που ενεργοποιείται από τη λαβή του τιμονιού και το οπίσθιο φρένο πέδησης παρέχει τη μικρότερη απόσταση φρεναρίσματος και μπορεί να προστατεύσει καλύτερα τον οδηγό.
- Η συσκευή χρησιμοποιεί μπαταρία ιόντων λιθίου, το μέγιστο ρεύμα αποφόρτισης είναι μεγαλύτερο από 10Α, υψηλή ισχύς χωρίς να φορτίζει το αποτέλεσμα της μνήμης, χωρίς μόλυνση.
- Το συνολικό βάρος της συσκευής είναι μόνο 7.5kg. Ο πτυσσόμενος σχεδιασμός με ένα κλειδί εξασφαλίζει εύκολο χειρισμό και αποθήκευση.

Σχεδιασμός ενός ηλεκτρικού σκούτερ:

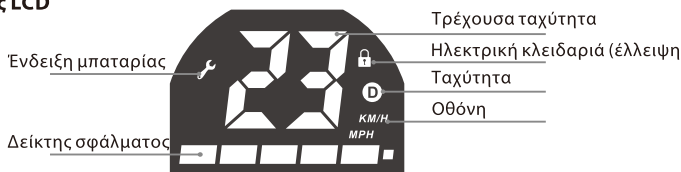


Κατασκευή του συστήματος ελέγχου



ΕΛΛΗΝΙΚΑ

Κατασκευή οθόνης LCD



Περιγραφή κουμπιών / λειτουργιών:

1. Κουμπί λειτουργίας: Πατήστε παρατεταμένα το κουμπί λειτουργίας για να ενεργοποιησετε / απενεργοποιήσετε την συσκευή.
2. Κουμπί επιτάχυνσης: πιέστε το δεξιό κουμπί του επιταχυντή για να ξεκινήσετε την οδήγηση και να επιταχύνετε.
3. Φρένο: κρατήστε τη λαβή του φρένου για να φρενάρετε. Πατήστε ελαφρά το πίσω φτερό για να υποβοηθήσει την πέδηση. (κατά τη διάρκεια της πέδησης αναβοσβήνει η πίσω λυχνία LED)
4. Κουμπί λειτουργίας: πατήστε σύντομα το πλήκτρο λειτουργίας για να επιλέξετε τη λειτουργία ταχύτητας:
 - α. Λειτουργία αρχαρίων: κανένα εικονίδιο "D"
 - β. Κανονική λειτουργία: το εικονίδιο "D" επισημαίνεται με λευκό χρώμα
 - γ. Αθλητική λειτουργία: το εικονίδιο "D" επισημαίνεται με κόκκινο χρώμα
5. Φωτισμός LED: Πατήστε δύο φορές το πλήκτρο λειτουργίας για να ενεργοποιήσετε τα εμπρός και πίσω φώτα LED. Πατήστε το κουμπί λειτουργίας δύο φορές ξανά για να απενεργοποιήσετε τις λυχνίες LED.
6. Λειτουργία ελέγχου ταχύτητας ταξιδιού: διατηρήστε την τρέχουσα ταχύτητα για περίπου 6 δευτερόλεπτα για να ενεργοποιήσετε τη λειτουργία ελέγχου ταχύτητας ταξιδιού. πατήστε το κουμπί επιτάχυνσης ή πατήστε τη λαβή του φρένου για να απενεργοποιήσετε τη λειτουργία αυτόματου ελέγχου ταχύτητας

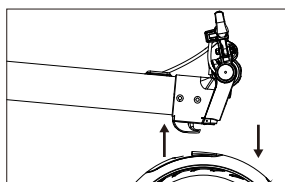
Αποσυσκευασία

Αφού ανοίξετε το κουτί από χαρτόνι, αφαιρέστε πρώτα το σκούτερ και βεβαιωθείτε ότι όλα τα μέρη είναι πλήρη. Αν οτιδήποτε λείπει, επικοινωνήστε με τον αντιπρόσωπό σας. Ελέγξτε την κατάσταση της συσκευής και την εμφάνισή της για να διασφαλίσετε ότι το σύστημα αναδίπλωσης είναι αρκετά σταθερό και ότι η πλατφόρμα είναι απαλλαγμένη από ρωγμές. Ελέγξτε επίσης ότι το η οθόνη δεν είναι κατεστραμμένη.

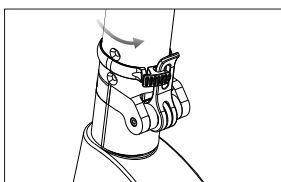
Εγκατάσταση

Μετά την αποσυσκευασία και τον έλεγχο της κατάστασης όλων των εξαρτημάτων, μπορείτε να ξεκινήσετε τη συναρμολόγηση του σκούτερ. Ακολουθήστε την παρακάτω εικόνα:

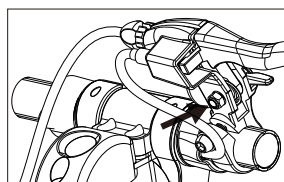
1. Εξάπλωση σκούτερ



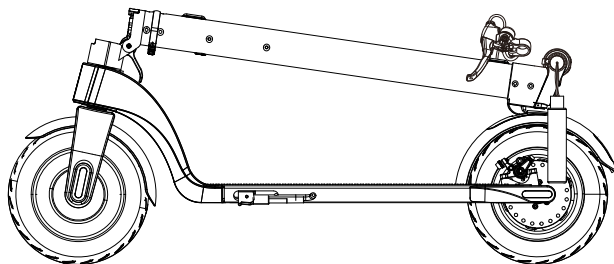
A



B



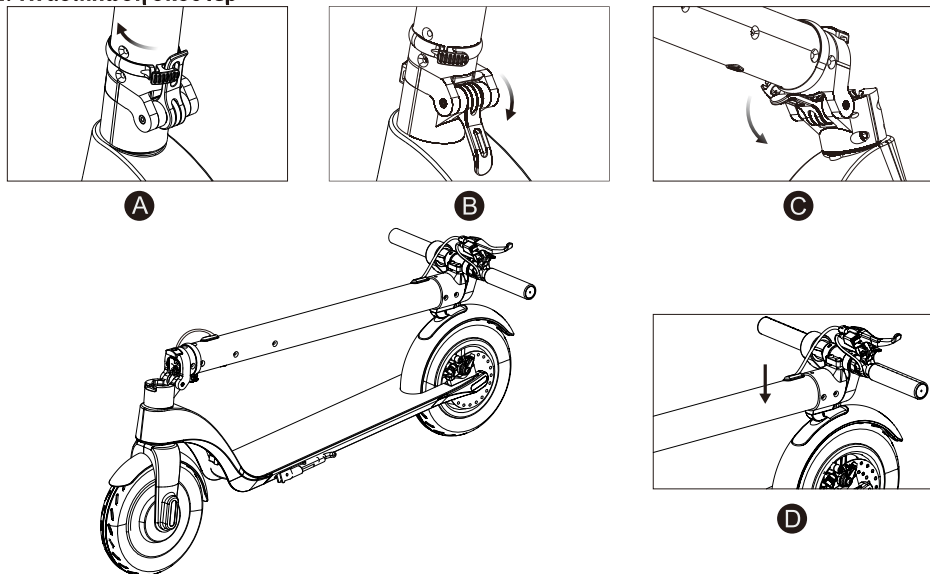
C



D

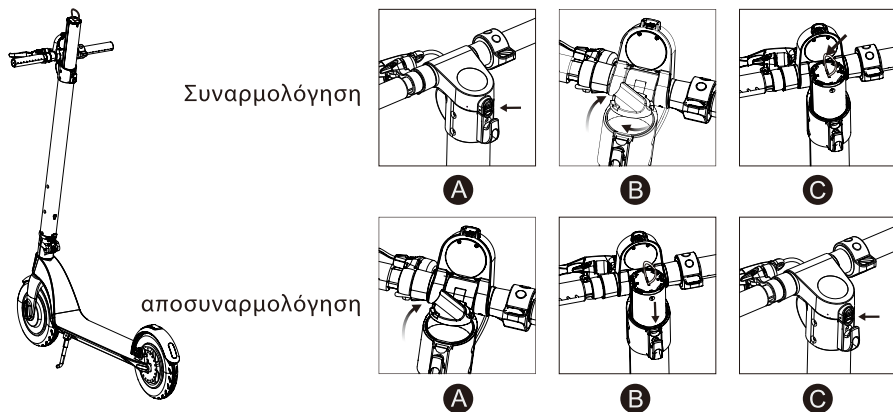
- A. Πατήστε το πίσω φτερό για να απελευθερώσετε το κλειδί και σηκώστε τη ράβδο διεύθυνσης στην κατακόρυφη θέση.
- B. Κλείστε το μηχανισμό αναδίπλωσης ανυψώνοντας το κλειδί στην κορυφή, στερεώστε το κλειδί έναντι αυτοκαθορισμού στρέφοντας τη ζώνη ασφαλείας προς τα δεξιά.
- C. Τοποθετήστε το σώμα του φρένου χρησιμοποιώντας ένα εξάγωνο κλειδί M6
- D. Σφίξτε τη λαβή του τιμονιού (σημειώστε τη φορά σύσφιξης)

2. Αναδίπλωση σκούτερ



- A. Γυρίστε το κλειδί των πλήκτρων προς τα αριστερά.
- B. Πιέστε το πλήκτρο μηχανισμού αναδίπλωσης προς τα κάτω.
- C. Τραβήξτε προσεκτικά τη ράβδο διεύθυνσης τραβώντας την προς τα κάτω.
- D. Φέρτε το άγκιστρο που είναι συνδεδεμένο στο τιμόνι στην οπή στο πίσω φτερό και σπρώξτε το για να κλειδώσετε.

3. Συναρμολόγηση / αποσυναρμολόγηση μπαταρίας



ΕΛΛΗΝΙΚΑ

Εγκατάσταση μπαταρίας:

- Α. Πατήστε το κουμπί ασφάλισης του περιβλήματος οθόνης πάνω από το άγκιστρο και σηκώστε το κάλυμμα.
- Β. Γυρίστε το κάλυμμα της μπαταρίας προς τα αριστερά και αφαιρέστε το.
- Γ. Τοποθετήστε την μπαταρία στην τρύπα στο τιμόνι και γυρίστε το κάλυμμα περιστρέφοντάς το δεξιόστροφα.

Αφαίρεση της μπαταρίας

- Α. Ανοίξτε το κάλυμμα της οθόνης πατώντας το κουμπί πάνω από το άγκιστρο και ξεβιδώστε το κάλυμμα της μπαταρίας
- Β. Τραβήξτε την μπαταρία από το χρωματισμένο καλώδιο και αφαιρέστε την.
- Γ. Κλείστε το κάλυμμα της μπαταρίας και χαμηλώστε το περίβλημα της οθόνης.

ΣΗΜΕΙΩΣΗ!

Αφού αφαιρέσετε την μπαταρία, μπορείτε να την φορτίσετε χρησιμοποιώντας την παρεχόμενη παροχή ρεύματος



Μην φορτίζετε την μπαταρία όταν χειρίζεστε, καθαρίζετε ή διατηρείτε το σκούτερ.

Οδηγός για την ασφαλή οδήγηση

Το περιεχόμενο αυτού του κεφαλαίου είναι πολύ σημαντικό, διαβάστε προσεκτικά και ακολουθείτε όλους τους κανόνες ασφαλείας και

διαδικασίες. Η εταιρεία μας δεν είναι υπεύθυνη για τυχόν ατυχήματα που έχουν ως αποτέλεσμα ιδιοκτησία ή υγεία ζημιές που οφείλονται στην παραβίαση αυτού του ασφαλούς οδηγού οδήγησης. Ένα ηλεκτρικό σκούτερ δεν είναι μόνο ένα διασκεδαστικό εργαλείο, αλλά και ένα μέσο μεταφοράς. Μετά από την κατάλληλη ασφάλεια οι προφυλάξεις κατά την οδήγηση μπορούν να προστατεύσουν εσάς και τους άλλους από ένα ατύχημα. Παρακαλώ σημειώστε ότι χρησιμοποιώντας το σκούτερ στο πεδίο και στους δημόσιους δρόμους μπορεί να οδηγήσει σε συγκρούσεις που προκαλούνται από άλλους χρήστες του δρόμου, ακόμα κι αν εσείς ακολουθήσετε όλες τις προφυλάξεις ασφαλείας. Είναι πολύ σημαντικό να διατηρείτε μια επαρκή απόσταση από τους άλλους χρήστες του δρόμου και από άλλα οχήματα.

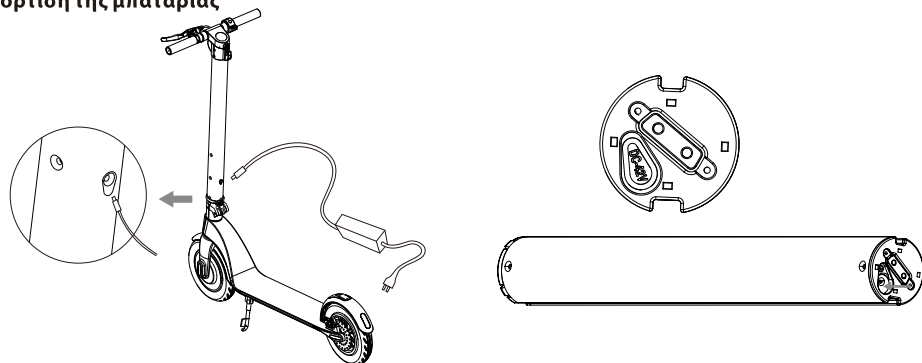
Οδήγηση του σκούτερ

- Τηρείτε τον κωδικα οδικής κυκλοφορίας κατά την οδήγηση σε ένα σκούτερ. Θα πρέπει να καθοδηγήσετε το σκούτερ προσεκτικά και ήρεμα, δίνοντας προσοχή σε άλλους ανθρώπους και αντικείμενα, προκειμένου να αποφευχθούν συγκρούσεις.
- Βγείτε με ασφάλεια στο σκούτερ σας με ελεγχόμενη ταχύτητα και σε απόσταση από τους πεζούς και άλλα οχήματα. Να είστε έτοιμοι να σταματήσετε ανά πάσα στιγμή. Αποφύγετε την απότομη επιτάχυνση και πείδηση.
- Όταν περπατάτε στο πεζοδρόμιο, σέβεστε τα δικαιώματα των πεζών, αφήστε τους να περάσουν μέσω των ζωνών, και δεν φοβούνται τους περαστικούς, ειδικά τα παιδιά.
- Ρυθμίστε την ταχύτητα του σκούτερ σε άλλους χρήστες της οδού που βρίσκονται σε κυκλοφοριακές περιοχές. Αν θέλετε να ξεπεράσετε ένα ομάδα πεζών, σιγουρευτείτε ότι έχετε αρκετό χώρο και το κάνετε με ασφάλεια. Κινούμενος σε ένα πλήθος ψηλά η ταχύτητα είναι πολύ επικίνδυνη.
- Μην παρκάρετε το σκούτερ σας σε ένα μέρος που θα κάνει το περπάτημα δύσκολο.
- Όταν οδηγείτε το σκούτερ, θα πρέπει να είστε χαλαροί, να έχετε ελαφρώς λυγισμένα τα γόνατα και το κεφάλι να σηκώνεται.



Σε περίπτωση ξαφνικής επιτάχυνσης ή αιφνίδιας πέδησης κατά την οδήγηση με μεγάλη ταχύτητα, ο οδηγός μπορεί εύκολα να γίνει ασύμμετρος και τελικά να προκαλέσει ατύχημα. Προσπαθήστε να αποφύγετε αυτές τις καταστάσεις.

Φόρτιση της μπαταρίας



- Βεβαιωθείτε ότι η πρίζα είναι στεγνή.
- Όταν φορτίζετε τη μπαταρία σε ένα σκούτερ, ανοίξτε το κάλυμμα της υποδοχής φόρτισης μπαταρίας που βρίσκεται στο τιμόνι, ακριβώς πάνω από το μηχανισμό αναδίπλωσης του σκούτερ. Όταν πραγματοποιείται φόρτιση στην αποσυναρμολογημένη μπαταρία, ανοίξτε το καπάκι της υποδοχής φόρτισης, το οποίο βρίσκεται στο κάτω μέρος του διαμερίσματος της μπαταρίας.
- Συνδέστε το βύσμα του προσαρμογέα στην πηγή τροφοδοσίας (110 V ~ 240 V, 50 Hz ~ 60 Hz), βεβαιωθείτε ότι είναι πράσινο η λυχνία φόρτισης ανάβει, τοποθετήστε το άλλο βύσμα προσαρμογέα στην υποδοχή φόρτισης του σκούτερ.
- Όταν ανάβει η κόκκινη λυχνία LED στο τροφοδοτικό, η μπαταρία φορτίζεται σωστά, διαφορετικά ελέγξτε όλες τις καλωδιακές συνδέσεις.
- Όταν το κόκκινο φως γίνεται πράσινο, η μπαταρία είναι πλήρως φορτισμένη. Αποσυνδέστε το τροφοδοτικό από το πηγή ενέργειας. Η μακρόχρονη φόρτιση μπορεί να μειώσει τη διάρκεια ζωής της μπαταρίας.
- Ακολουθήστε τις οδηγίες για τη φόρτιση της μπαταρίας, αλλιώς θα καταστρέψει την μπαταρία και θα μειωθεί η διάρκεια ζωής του.
- Ο χρόνος φόρτισης της μπαταρίας του σκούτερ είναι περίπου 2 ώρες. Ο κατασκευαστής δεν μπορεί να εγγυηθεί το ο ίδιο χρόνο φόρτισης και η λειτουργία της μπαταρίας λόγω της φθοράς της.
- Βεβαιωθείτε ότι υπάρχουν καθαρές και ξηρές συνθήκες κατά τη φόρτιση της μπαταρίας.
- Μην φορτίζετε την μπαταρία όταν η πρίζα είναι βρεγμένη.

Πρώτη εκτέλεση

Παρασκευή

- Επιλέξτε την επιθυμητή θέση. Αυτός ο χώρος μπορεί να είναι εσωτερικός ή εξωτερικός, πρέπει να έχει χώρο 10 x 10 μέτρων (περίπου 100 τετραγωνικά μέτρα). Ο χώρος πρέπει να είναι επίπεδος, ούτε υγρός ούτε ολισθηρός, χωρίς εμπόδια, χωρίς οχήματα, παιδιά, κατοικίδια ζώα ή άλλα πράγματα που θα μπορούσαν να αποσπούν την προσοχή σας.
- Διαβάστε προσεκτικά αυτό το εγχειρίδιο, εάν έχετε την ευκαιρία να το κάνετε, για συμβουλές από κάποιον που είναι πιο έμπειρος στην ασφαλή οδήγηση.
- Φορέστε κράνος και προστατευτικά για να αποφύγετε τυχόν τραυματισμούς. Μετακινήστε το σκούτερ στο κέντρο της περιοχής όπου θα μετακομίσετε και θα εξοικειωθείτε με την περιοχή.

Εκκίνηση

- Πατήστε και κρατήστε πατημένο το κουμπί POWER για 2 δευτερόλεπτα για να ενεργοποιήσετε το σκούτερ. Στη συνέχεια, επιλέξτε μία από τις τρεις λειτουργίες ταχύτητας.
- Βάλτε το ένα πόδι στην πλατφόρμα, το άλλο με το πόδι για να σπρώξετε, βάζοντας το σκούτερ σε κίνηση.
- Βάλτε το άλλο πόδι στην πλατφόρμα και προσπαθήστε να διατηρήσετε την ισορροπία σας.
- Με τον αντίχειρα του δεξιού σας χεριού, πατήστε το κουμπί επιτάχυνσης, μην οδηγείτε πολύ γρήγορα.
- Πιέστε τη λαβή φρένου με το αριστερό σας χέρι για να φρενάρετε, πιέστε το πίσω φτερό για να υποβοηθήσει την πέδηση.
- Όταν το σκούτερ κινείται με χαμηλή ταχύτητα ή σταματά εντελώς, μπορείτε να αφήσετε την πλατφόρμα.
- Για να προειδοποιήσετε άλλους χρήστες στον τόπο όπου μετακινείτε, χρησιμοποιήστε το κουδούνι που είναι εγκατεστημένο στη λαβή του φρένου.

Καθαρισμός και αποθήκευση

- Καθαρίστε το σκούτερ μετά από κάθε πορεία.
- Εάν οι ελαστικές επιφάνειες είναι δύσκολο να καθαριστούν, χρησιμοποιήστε μια οδοντόβουρτσα και οδοντόκρεμα και καθαρίστε τις με ένα μαλακό πανί. Αυτή η μέθοδος μπορεί επίσης να αφαιρέσει μικρές γρατζουνιές.
- Αποθηκεύστε το σκούτερ σε εσωτερικό χώρο, σε δροσερό και στεγνό μέρος. Μην εκθέτετε το σκούτερ σε παρατεταμένο ηλιακό φως.



Κατά τον καθαρισμό, ο υποδοχέας φόρτισης της μπαταρίας πρέπει να είναι καλά κλεισμένος, διαφορετικά ενδέχεται να υποστεί ηλεκτροπληξία και το σκούτερ να καταστραφεί σοβαρά. Μην πλένετε το σκούτερ σας κάτω από πίδακα νερού υψηλής πίεσης ή βυθίζετε το νερό - αυτό μπορεί να προκαλέσει ανεπανόρθωτη βλάβη στη μονάδα.

Συντήρηση της μπαταρίας

Η μπαταρία είναι το πιο σημαντικό μέρος για τη συντήρηση. Για να παρατείνετε τη διάρκεια ζωής του, ακολουθήστε τις παρακάτω οδηγίες:

- Διαβάστε και ακολουθήστε τις σημειώσεις σχετικά με τη σήμανση της μπαταρίας.
- Η καλύτερη θερμοκρασία αποθήκευσης της μπαταρίας είναι 10 βαθμοί. Μην αποθηκεύετε τη μπαταρία σε θερμοκρασίες κάτω από -10 βαθμούς ή πάνω από 35 βαθμούς.
- Εάν η θερμοκρασία περιβάλλοντος είναι χαμηλότερη από 0 βαθμούς, μην φορτίζετε την μπαταρία, μετακινήστε την μπαταρία σε σημείο όπου η θερμοκρασία είναι υψηλότερη από 10 βαθμούς περιμένετε λίγο και αρχίστε να φορτίζετε την μπαταρία.
- Αποθηκεύστε την μπαταρία σε δροσερό και στεγνό μέρος. Ένα πολύ υγρό μέρος μπορεί να προκαλέσει συμπύκνωση μέσα στη μπαταρία, γεγονός που μπορεί να καταστρέψει γρήγορα την μπαταρία.
- Όταν η οθόνη παρουσιάζει χαμηλή στάθμη μπαταρίας, συνδέστε τη μπαταρία στο φορτιστή. Προσπαθήστε να αποτρέψετε την πλήρη αποφορτίση της μπαταρίας. Φροντίστε να φορτίσετε πλήρως την μπαταρία πριν ξεκινήσετε την οδήγηση. Η συχνή φόρτιση δεν θα βλάψει την μπαταρία. Αντίθετα, η μακροπρόθεσμη αποθήκευση μιας μπαταρίας χωρίς μπαταρίες μπορεί να μειώσει τη διάρκεια ζωής της.

Χαρακτηριστικά και προδιαγραφές

- Κινητήρας: 350 W
- Μπαταρία: 36 V 5.0 Ah
- Αφαιρούμενη μπαταρία
- Μέγιστη ταχύτητα: 25 km / h (3 ρυθμίσεις ταχύτητας)
- Εύρος: έως 20 χλμ. (Ανάλογα με το φορτίο και τον τύπο της επιφάνειας)
- Μέγιστο φορτίο: 120 kg
- Κλίση του δρόμου: 15-20 μίρες
- Λειτουργία ελέγχου ταχύτητας
- Πίσω φρένο - δίσκος, φρένο στήριξης (πόδι)
- Αντλούνται τροχοί των 8.5"
- Μπροστά και πίσω φώτα LED
- Οθόνη LCD που δείχνει την ταχύτητα και την κατάσταση φόρτισης της μπαταρίας
- Προειδοποιητικό κουδούνι
- Εύκολος μηχανισμός αναδίπλωσης
- Ρεύμα φόρτισης: 42 V 2 A
- Χρόνος φόρτισης: 2 ώρες
- Διαστάσεις: 1056x420x450 / 1186 mm (διπλωμένο / ξετυλιγμένο)
- Καθαρό βάρος: 13,5 kg

ΤΕΧΝΙΚΑ ΣΤΟΙΧΕΙΑ ΕΦΑΡΜΟΓΗΣ

Τάση εισόδου: 110-240V ~ 50 / 60Hz

Μέγιστη. Ρεύμα εισόδου: 2,5 A

Τάση εξόδου: 42 V

Μέγιστο ρεύμα εξόδου: 2A

Правила за безопасност

- Запознайте се и спазвайте местните правила за движение по пътищата.
- Винаги използвайте одобрена каска, както и протектори за защита на лактите, коленете и китките.
- След включване на електрическата тротинетка проверете нивото на зареждане на акумулатора. Ако нивото на зареждане на акумулатора е по-ниско от 25%, не планирайте дълга разходка с тротинетката.
- Проверете външния вид и техническото състояние на електрическата тротинетка. Обърнете особено внимание дали някой от елементите не е разхлабен или съоръжението не издава нетипични звуци.
- Потребителят трябва да бъде в добро здраве, след достатъчно сън, трезвен и преди използване на тротинетката не бива да приема никакви успокоителни и психотропни лекарства.
- Не забравяйте, че по време на каране сте по-високи със 7 cm и затова трябва да внимавате при преминаване през врати, край пътни знаци, клони и други препятствия, за да предпазите главата от удар.
- Този уред може да бъде използван от деца над 12-годишна възраст и от лица с намалени физически и умствени възможности и лица без опит и познания, ако те са под надзор или са инструктирани относно използването на уреда по безопасен начин така, че да разбират свързаните с това опасности. Децата не бива да си играят с уреда. Децата не могат да почистват или да извършват дейности по поддръжка на уреда без надзор на възрастен.
- Използвайте само оригиналните или препоръчаните от производителя аксесоари за уреда. Използването на аксесоари, които не са препоръчвани от производителя, може да доведе до повреда на уреда и да създаде опасност при употреба.
- Захранващото устройство трябва да бъде включено само към захранващ контакт с характеристика, отговаряща на стойностите, посочени върху информационната табелка.
- Ако кабелът или щепселът на захранващото устройство са повредени или след включване в контакта щепселът е хлабав, не използвайте уреда и не го захранвайте от електрическата мрежа.
- Изключвайте захранващото устройство от електрическия контакт, когато не го използвате.
- Никога не потапяйте захранващото устройство във вода или други течности.
- Не включвайте и не изключвайте захранващото устройство от захранването с мокри ръце.

Абсолютно забранено

- Забранено е карането на тротинетка в зоните, в които движението е забранено от местните или държавните закони.
- Забранено е движение по наклонени терени с наклон, надвишаващ 17 градуса. Не карайте в локви или водни басейни с дълбочина над 5 см.
- Забранено е каране по стълбища.
- Не бива да се движите по пътища, предназначени за автомобили, по крайпътни ленти и по пътища, на които движението е забранено.
- Забранено е движението на няколко лица върху тротинетката, както и превозването на деца, включително и в подходящи носилки.
- Забранено е движението с тротинетката, без да се държи кормилото.
- Забранено е самостоятелното движение с тротинетката на деца до 12 години и на възрастни над 60 години. По време на движение тези лица трябва да имат придружител от семейството или настойник. Забранено е придвижването с тротинетка на бременни жени, нетрезви лица, лица с психични заболявания и лица с увреждания с ограничена възможност за управление на кормилото.
- Забранено е карането на тротинетката на опасни места и на места, където има опасност от пожар или експлозия.
- По време на движение с тротинетката не бива да се разговаря по телефона.
- Избягвайте движение с тротинетката при лоши атмосферни условия като проливен дъжд, сняг, силен вятър и върху заледена, хлъзгава настилка или кални пътища.

УКАЗАНИЯ ПРЕДИ НАЧАЛОТО НА УПОТРЕБА!

- Настоящият ховърборд е оборудван с електрически двигател, монтиран в предното колело. Не бива да се забравя, че движението с ховърборда в дъждовно време или по мокра пътна настилка може да доведе до намокряне и впоследствие до повреда на двигателя. Такава повреда не е обхваната от гаранцията.

- Максималният обхват на ховърбора зависи от много различни фактори като: теглото на потребителя, настилната, върху която се движи ховърбордът, релефа на терена, стила и режима на каране, атмосферните условия и подходящото налягане на въздуха в колелата.
- Също така не бива да се забравя, че с течение на времето ефективността на акумулатора намалява. Това е естествен процес и не бива да бъде третиран като повреда.



- Ховърбордът е оборудван с помпани колела без вътрешни гуми, които благодарение на подходящото налягане на въздуха в колелата гасят вибрациите по време на движение.
- Редовно трябва да проверявате налягането в колелата, както за постигане на оптимален комфорт на каране, така и за постигане на максимален обхват с напълно зареден акумулатор. Ховърбордът е оборудван със стандартни вентили, благодарение на които е възможно помпане на колелата с помощта на общодостъпни компресори. Към комплекта е приложен адаптор, улесняващ помпането на предното колело.
- Карането на ховърборда с ниско налягане в колелата е забранено, тъй като може да се стигне до произшествие или трайно увреждане на гумата, което не е обхванато от гаранцията.

Правилното налягане в колелата трябва да бъде в обхвата - 3-3,4 бара.

Инструкция за употреба

Благодарим Ви за покупката на нашата електрическа тротинетка BLAUPUNKT ESC808. Моля, запознайте се с настоящата инструкция и я запазете за по-нататъшно ползване. Инструкциите в нея ще Ви помогнат да се запознаете със следните въпроси:

- Основно обслужване и указания как да се движите с електрическата тротинетка.
- Безопасност при движение с електрическа тротинетка.
- Конструкция и поддръжка на електрическата тротинетка.



Изделието изпълнява изискванията на следните директиви на Европейския Съюз:

- Директива за съоръжения, работещи с ниско напрежение - Low voltage directive (LVD)
- Директива за електромагнитна съвместимост - Electromagnetic compatibility (EMC)

Изделието е маркирано със знак CE върху информационната табелка.



Ако продуктът е означен със символ на зачеркната кофа за боклук, това означава, че продуктът е в съответствие с Европейската директива 2012/19/ЕС. Трябва да се запознаете с местните изисквания относно разделното събиране на електронно и електрическо оборудване. Да се следват действащите местни разпоредби. Този продукт не бива да се изхвърля заедно с битовите отпадъци. Правилното обезвреждане на стария продукт ще предотврати потенциалните негативни ефекти върху природната среда и човешкото здраве.

Подробна информация за най-близкия пункт за събиране на такива продукти можете да получите директно от производителя или от фирма Blaupunkt Competence Center, 2N-Everpol Sp. z o.o., ul. Puławska 403A, 02-801 Warszawa, тел. +48 22 331 9959, email: emobility@blaupunkt.pl



Уредът е оборудван с батерии, обхванати от европейската Директива 2006/66/ЕО. Батериите не бива да се изхвърлят заедно с битовите отпадъци. Следва да се запознаете с местните разпоредби за разделно събиране на батерии, тъй като правилното обезвреждане ще предотврати възможните негативни последствия за околната среда и човешкото здраве.

Информации за защита на околната среда.

Опаковката съдържа само необходимите елементи. Положени са всички усилия за лесното отделяне на трите съставни елемента на опаковката: картон (кутия), пенополистирол (вътрешна защита) и полиетилен (пликове, защитно фолио). Уредът е произведен от материали, които подлежат на рециклиране и повторно използване след демонтаж от специализирана фирма. Трябва да спазвате местните разпоредби за рециклиране на опаковъчни материали, изтощени батерии и изхабени устройства.



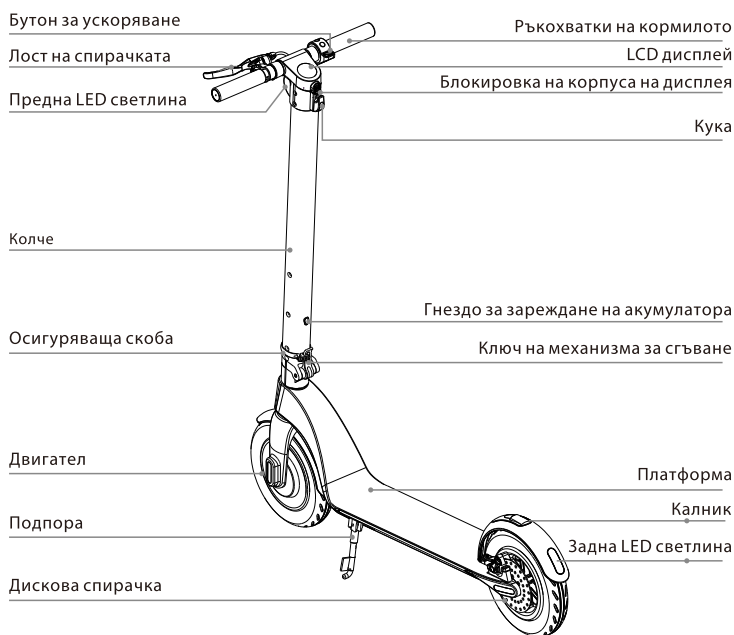
Уредът е произведен от висококачествени материали и подвъзли, които подлежат на рециклиране и повторно използване.

Основни качества на електрическата тротинетка:

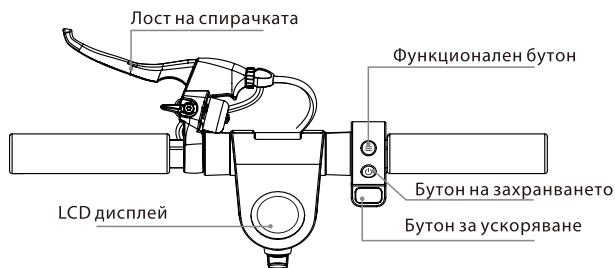
Blaupunkt ESC808 е иновативна, сгъваема електрическа тротинетка. Потребителят може да стои на платформата на тротинетката и да регулира скоростта с помощта на съответния механизъм за превключване на скоростите (манетка), разположен на кормилото.

- Предните и задните колела са симетрични, задвижването на предното колело осигурява по-голяма безопасност при движение. Нампаните колела с размер 8,5" увеличават комфорта при движение.
- Дисковата спирачка, задействана с помощта на лоста на кормилото и задната крачна спирачка, осигурява най-къс спирачен път и по този начин може по-добре да предпази водача.
- В съоръжението е използван литиево-йонен акумулатор с максимален ток на разреждане повече от 10А, висока мощност без „ефект на паметта на батерията“, без замърсявания.
- Общото тегло на съоръжението е само 13,5 kg. Сгъваемата конструкция с един ключ е гаранция за комфортно пренасяне и съхранение.

Σχεδιασμός ενός ηλεκτρικού σκούτερ:

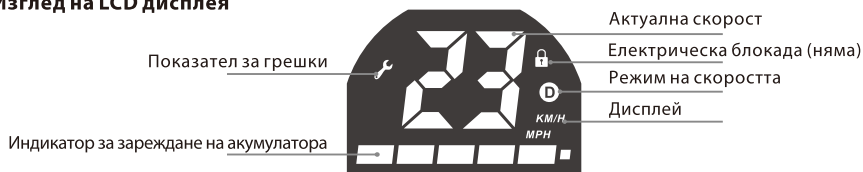


Конструкция на системата за управление



БЪЛГАРСКИ

Изглед на LCD дисплея



Описание на бутоните/функции:

1. Бутон на захранването: за да включите/изключите захранването, натиснете продължително бутона на захранването;
2. Бутон за ускоряване: за да започнете движение и да ускорите, натиснете десния бутон за ускоряване;
3. Спирачка: натиснете и задръжте лоста на спирачката, за да спрете. За да увеличите силата на спиране, натиснете леко калника (по време на спиране мига задната LED светлина);
4. Функционален бутон: натиснете краткотрайно функционалния бутон, за да изберете режим на скоростта:
 - a. Режим за начинаещи: не се показва иконката „D“
 - b. Нормален режим: иконката „D“ свети с бяла светлина
 - c. Спортен режим: иконката „D“ свети с червена светлина
5. LED осветление: Натиснете двукратно функционалния бутон, за да включите предните и задните LED светлини; с повторно натискане на функционалния бутон ще изключите LED светлините.
6. Режим темпомат: поддържайте актуалната скорост в продължение на около 6 секунди, за да включите режим темпомат; натиснете бутона за ускоряване или натиснете лоста на спирачката, за да изключите функцията темпомат.

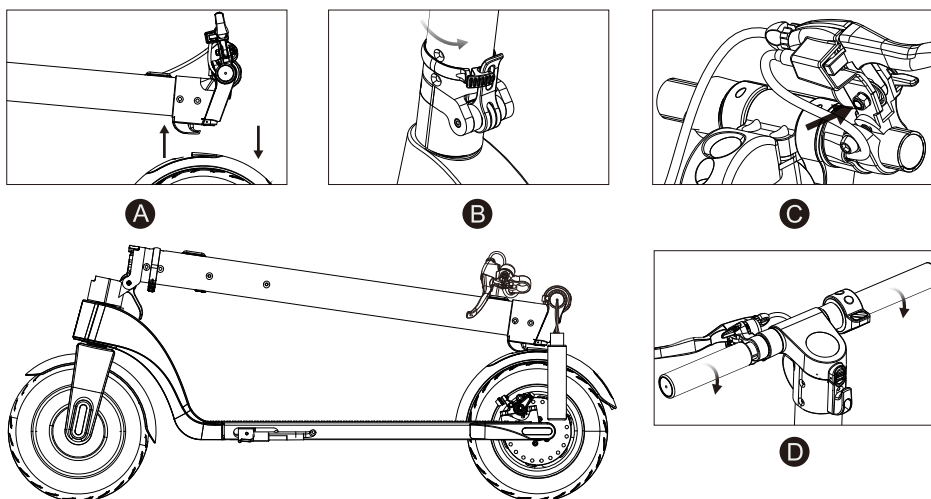
Разпаковане

След като отворите картонената опаковка, първо трябва да извадите тротинетката и да проверите дали всички елементи са окомплектовани. Ако някой от елементите липсва, свържете се с продавача. Трябва да проверите състоянието на съоръжението и неговия външен вид - дали системата за сгъване е достатъчно стабилна, дали платформата няма пукнатини. Проверете също така дали екранът на дисплея не е повреден.

Монтаж

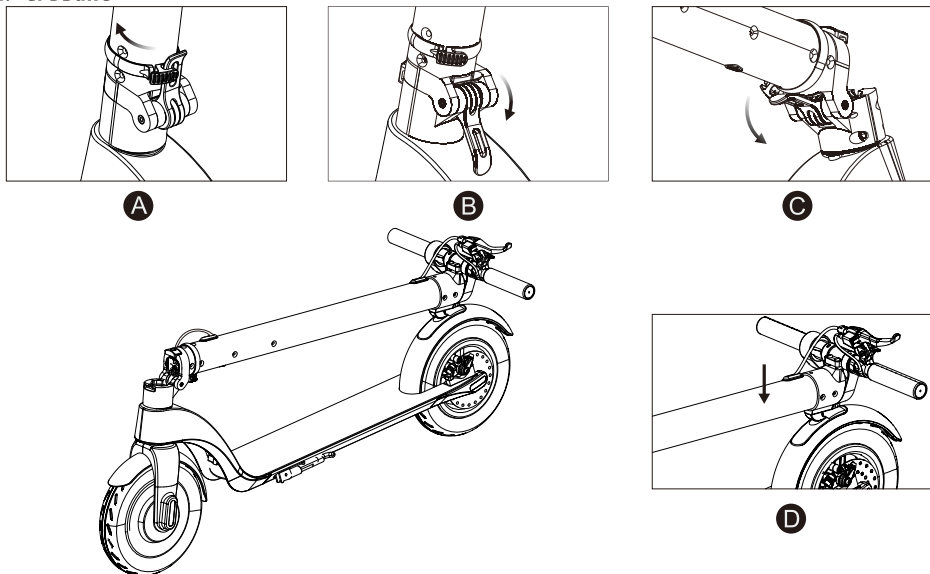
След разпаковане и проверка на състоянието на всички елементи можете да пристъпите към монтаж на тротинетката. Следвайте инструкциите, представени върху фигурите по-долу:

1. Разгъване



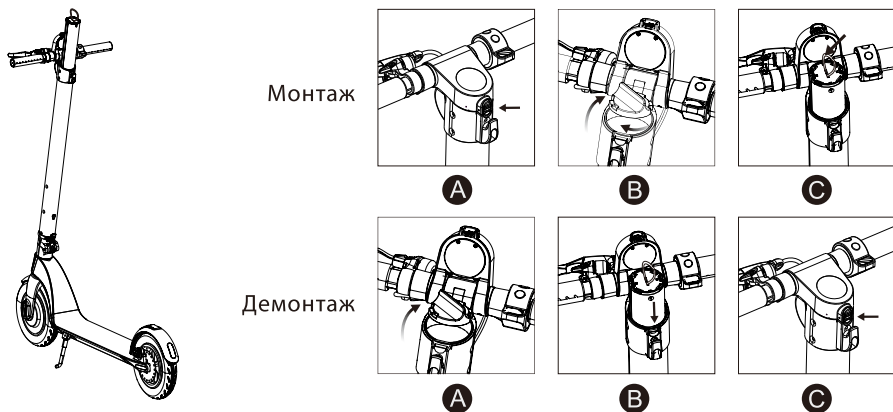
- A. Натиснете задния калник, за да освободите блокадата и да повдигнете колчето на кормилото до вертикално положение;
- B. Застопорете механизма за сгъване, като повдигнете ключа в максимално горно положение. Осигурете ключа срещу деблокиране, като завъртите осигуряващата скоба максимално надясно.
- C. Монтирайте корпуса на спирачката, като използвате шестстенен ключ М6.
- D. Завинтете ръкохватките на кормилото (обърнете внимание на посоката на завинтване).

2. Сгъване



- A. Завъртете наляво скобата, осигуряваща ключа;
- B. Натиснете ключа на механизма за сгъване в максимално долно положение;
- C. Внимателно сгънете колчето на кормилото надолу;
- D. Доближете монтираната на колчето кука към отвора в задния калник и притиснете, за да се заключи в него.

3. Монтаж / демонтаж на акумулатора



БЪЛГАРСКИ

Монтаж на акумулатора:

- A. Натиснете бутона на блокадата на корпуса на дисплея, намиращ се над куката и повдигнете корпуса нагоре;
- B. Завъртете капака на акумулатора наляво и го извадете;
- C. Поставете акумулатора в отвора на колчето на кормилото и затворете капака със завъртане надясно.

Демонтаж на акумулатора

- A. Отворете корпуса на дисплея с натискане на бутона над куката и отворете капака на акумулатора
- B. Издърпайте акумулатора за цветния шнур и го извадете;
- C. Затворете капака на акумулатора и спуснете корпуса на дисплея.

ЗАБЕЛЕЖКА!

След изваждане на акумулатора има възможност за зареждането му с помощта на доставеното зарядно устройство.



Акумулаторът не бива да се зарежда по време на пренасяне, сгъване, почистване или дейности по поддръжка на тротинетката.

Ръководство за безопасно движение

Съдържанието на този раздел е много важно. Моля, прочетете го внимателно и спазвайте всички правила и процедури за безопасност. Нашата фирма не носи отговорност за каквито и да било произшествия, в резултат на които се е стигнало до загуба на имущество или здраве поради нарушаване на указанията от нашето ръководство за безопасно движение.

Електрическата тротинетка е предназначена за развлечение, но също така е и превозно средство. Спазването на съответните правила за безопасност може да предпази Вас и околните от произшествие. Не бива да забравяте, че използването на тротинетката на обществени пътища е свързано с опасност от произшествия по вина на други участници в движението, дори ако спазвате всички правила за безопасност. Много е важно да запазите подходящо разстояние от другите участници в движението и другите превозни средства.

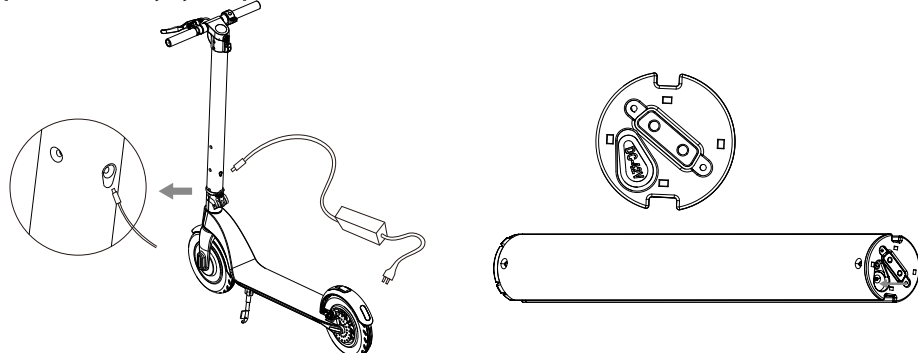
Движение с тротинетката

- По време на движение с тротинетката трябва да спазвате местните правила за движение по пътищата. Трябва да управлявате тротинетката разумно и спокойно, като обръщате внимание на другите хора и предмети, за да избегнете произшествие.
- Придвижвайте се по безопасен начин с тротинетката, като поддържате контролирана скорост и подходящо разстояние от пешеходците и другите превозни средства. Бъдете готови да спрете във всеки момент. Избягвайте внезапно ускоряване и внезапно спиране.
- Движейки се по тротоара, уважете правата на пешеходците, отстъпете им предимство при преминаване през пешеходна пътека, не плашете пешеходците, особено децата.
- На многолюдно място трябва да адаптирате скоростта на движение с тротинетката към останалите участници в движението. Ако искате да изпреварите група пешеходци, трябва да се уверите, че имате достатъчно място и ще извършите тази маневра по безопасен начин. Движението в тълпа с висока скорост е много опасно.
- Не бива да паркирате тротинетката на място, което ще затруднява движението на пешеходците.
- По време на движение с тротинетката трябва да сте отпуснати с леко сгънати колени и повдигната глава.



В случай на внезапно ускоряване или внезапно спиране по време на движение с висока скорост водачът много лесно може да загуби равновесие и да се стигне до произшествие. Опитвайте се да избягвате такива ситуации.

Зареждане на акумулатора



- Трябва да се уверите, че електрическото гнездо е сухо.
- Когато зареждането се извършва при монтиран в тротинетката акумулатор, трябва да отворите капачката на гнездото за зареждане на акумулатора, която се намира върху колчета на кормилото над механизма за сгъване на тротинетката. Когато се зарежда демонтиран акумулатор, трябва да отворите капачката на гнездото за зареждане, която се намира в неговата долна част.
- Включете щепсела на захранващото устройство в захранващата мрежа и проверете дали зелената контролна лампа на захранващото устройство свети. Вторият конектор на захранващото устройство включете в гнездото за зареждане на акумулатора на тротинетката.
- Когато свети червената контролна лампа на захранващото устройство, това означава правилно зареждане на акумулатора. В противен случай трябва да проверите всички кабелни съединения.
- Когато червената контролна лампа промени цвета си на зелен, това означава, че акумулаторът е напълно зареден. Изключете захранващото устройство от електрическата мрежа. Дълготрайното зареждане може да съкрати експлоатационния живот на батерията.
- Следвайте препоръките за зареждане на акумулатора. В противен случай ще се стигне до увреждане на акумулатора и съкращаване на експлоатационния му живот.
- Времето за зареждане на акумулатора на тротинетката възлиза на 2 часа. Производителят не може да гарантира едно и също време за зареждане и работа на акумулатора, тъй като той се изхабява с течение на времето.
- По време на зареждане на акумулатора трябва да се осигурят чисти и сухи условия на средата.
- Не зареждайте акумулатора, когато гнездото за захранване е мокро.

Първо използване

Подготовка

- Изберете желаното място. Това място може да бъде на открито или на закрито, трябва да бъде с площ 10 x 10 метра (около 100 квадратни метра). Мястото трябва да бъде равно, сухо, без препятствия, да не бъде хлъзгаво, да няма превозни средства, деца, домашни животни или каквито и да било други предмети, които биха могли да отвлечат вниманието Ви.
- Моля, запознайте се подробно с настоящата инструкция. Ако имате възможност, се възползвайте от съветите на лице, което има опит с безопасното управление на тротинетка.
- Носете каска и протектори, за да избегнете възможни наранявания. Поставете тротинетката по средата на мястото, където ще се движите и се запознайте с околното пространство.

Включване на тротинетката

- Натиснете и задръжте бутон POWER в продължение на 2 секунди, за да включите тротинетката. След това трябва да изберете един от трите режима на скоростта.
- Поставете единия крак върху платформата, а с другия крак се отблъснете, за да задвижите тротинетката;
- Поставете втория крак върху платформата и се опитайте да запазите равновесие;
- С палеца на дясната ръка натиснете бутона за ускоряване, но не карайте твърде бързо;
- Натиснете лоста на спирачката и лявата ръка, за да задействате спирачката. Леко натиснете задния калник, за да подпомогнете спирането;
- Когато тротинетката се движи с ниска скорост или напълно спре - можете да слезете от платформата;
- За да предупредите останалите участници в движението на мястото, където се движите, използвайте звънеца, монтиран при лоста на спирачката.

Почистване и съхранение

- След всяко използване трябва да почистите тротинетката.
- Ако върху гумените повърхности има трудни за почистване замърсявания, използвайте четка и паста за зъби за тяхното почистване, след което избършете тези места със суха кърпа. По този начин могат да се отстранят и малки драскотини.
- Съхранявайте тротинетката в затворени помещения, на хладно и сухо място. Не излагайте тротинетката на дълготрайно въздействие на слънчеви лъчи.



По време на почистване гнездото за зареждане трябва да бъде плътно затворено. В противен случай може да се стигне до токов удар и сериозна повреда на тротинетката. Не бива да миете тротинетката под течаща вода с високо налягане или да я потапяте във вода - това може необратимо да повреди тротинетката.

Поддръжка на акумулатора

Акумулаторът е най-важната част за поддръжка. За да удължите неговия експлоатационен живот, трябва да следвате следните инструкции:

- Прочетете и следвайте указанията, касаещи означенията на батериите.
- Най-добрата температура за съхранение на акумулатора е 10 градуса. Не бива да съхранявате акумулатора при температура по-ниска от -10 градуса или по-висока от 35 градуса.
- Ако околната температура е по-ниска от 0 градуса, не зареждайте акумулатора, пренесете го на място, където температурата е по-висока от 10 градуса. Изчакайте малко и започнете зареждането на акумулатора.
- Съхранявайте акумулатора в затворено помещение, на сухо и хладно място. Място с висока влажност може да причини кондензация на водна пара във вътрешността на акумулатора, което може да доведе до бързо увреждане на акумулатора.
- Когато върху дисплея се показва ниско ниво на зареждане на акумулатора, трябва да включите акумулатора да се зареди. Не бива да допускате пълно разреждане на акумулатора. Преди да започнете използване на тротинетката, трябва напълно да зарядите акумулатора. Честото зареждане няма да повреди акумулатора. Напротив - дълготрайното съхранение на незареден акумулатор може да съкрати експлоатационния му живот.

Функции и спецификация

- Двигател: 350 W
- Акумулатор: 36 V 5.0 Ah
- Сменяем акумулатор
- Максимална скорост: 25 km/h (3-степенно регулиране на скоростта)
- Обхват: \varnothing 20 km (в зависимост от натоварването и вида на настилката)
- Максимално натоварване: 120 kg
- Наклон на превозното средство: 15-20 градуса
- Функция темпомат
- Задна спираща - дискова, спомагателна спираща (кращна)
- Помпани колела 8.5"
- Предна и задна LED светлина
- LCD дисплей, който показва скоростта и състоянието на зареждане на акумулатора
- Предупредителен звънец
- Лесен механизъм за сгъване
- Ток на зареждане: 42 V, 2 A
- Време за зареждане: 2 часа
- Размери: 1056x420x450/1186 mm (сгъната/разгъната)
- Нето тегло: 13,5 kg

Технически данни на захранващото устройство:

Входно напрежение: 110-240 V~50/60 Hz

Макс. входен ток: 2.5 A

Изходно напрежение: 42 V

Макс. изходен ток: 2 A

Reguli de siguranță

- Va rugăm familiarizați-vă cu regulamentul local de trafic.
- Purtați întotdeauna cască de protecție, protecție pentru genunchi și coate.
- Verificați nivelul bateriei când porniți trotineta. Dacă bateria este încărcată mai puțin de 25%, nu conduceți pe distanțe mari.
- Verificați vizual starea trotinetei. Asigurați-vă că nu sunt părți lipsă și nu sunt zgomete anormale.
- Utilizatorul trebuie să fie sănătos, odihnit, treaz și să nu ia niciun sedativ sau drog psihotrop înainte de a conduce.
- Amintiți-vă că aveți o înălțime de 7 cm mai mare atunci când conduceți, deci aveți grijă când conduceți ușa, feriviți-vă de semne, ramuri și alte obstacole superioare pentru a vă proteja capul de rănire.
- Acest echipament poate fi utilizat de către copiii cu vârsta de 12 ani și peste, atât timp cât este asigurată supravegherea. Persoanele cu capacități fizice sau mentale reduse, precum și persoanele care nu au experiență anterioară de utilizare a acestui echipament trebuie să fie supravegheate și conștiente de riscuri. Manualul de instrucțiuni trebuie utilizat ca referință pentru utilizarea sigură a acestui echipament. Copiii nu ar trebui să se joace cu echipamentul. Copiilor fără supraveghere asigurată nu ar trebui să li se permită să efectueze curățarea și întreținerea echipamentului.
- Se vor folosi numai accesorii originale, precum și accesorii recomandate de producător. Utilizarea accesoriilor care nu sunt recomandate de către producător poate duce la deteriorarea dispozitivului și poate face ca dispozitivul să nu fie sigur pentru utilizare.
- Adaptorul de AC trebuie conectat la o priză cu caracteristici compatibile cu valorile de pe eticheta de rating.
- Dacă cablul sau ștecherul de alimentare sau adaptorul este deteriorat sau dacă ștecherul are o priză electrică descărcată, nu încărcați aparatul și nu-l alimentați din priză.
- Deconectați adaptorul de la priză electrică atunci când nu îl utilizați.
- Nu conectați sau deconectați adaptorul de la sursa de alimentare cu mâinile ude.

Complet interzis

Nu folositi un scuter în zone interzise de legislația locală sau națională.

- Este interzisă deplasarea pe pante ale căror unghi de înclinare depășește 17 grade, nu pătrund în baltă sau în rezervoare de apă a căror adâncime este mai mare de 5 cm.
- Nu folositi un scooter pe scări.
- Nu este permisă călătoria pe șosele destinate autoturismelor, drumurilor sau drumurilor pe care este interzisă călătoria.
- Este interzisă mutarea mai multor persoane pe scuter sau transportul copiilor, de asemenea și în sifoanele corespunzătoare.
- Este interzisă deplasarea pe scuter fără să țineți ghidonul.
- Este interzis ca copiii sub 12 ani sau cei peste 60 de ani să se mute singuri pe scuter. Aceștia trebuie să fie însoțiți de alți membri ai familiei sau îngrijitori. Este interzis să călătorească pe scuter femeile însărcinate, persoanele îmbătate, persoanele cu tulburări mintale sau persoanele cu dizabilități cu abilități reduse de direcție.
- Nu folositi un scuter în locuri periculoase sau explozive.
- Nu efectuați apeluri telefonice în timpul conducerii scuterelor.
- Evitați conducerea în condiții meteorologice nefavorabile, cum ar fi ploi abundente, zăpadă, vânt puternic și pe drumuri înghețate, alunecoase sau murdare.

INSTRUCȚIUNI ÎNAINTE DE ÎNCEPEREA CONDUCERII!

- Acest skateboard are un motor electric încorporat în roata din față. Rețineți, că deplasarea skateboard-ului în ploaie sau pe suprafețe umede poate provoca udarea și în consecință, deteriorarea motorului. Această defecțiune nu este acoperită de garanție.
- Distanța maximă care poate fi parcursă de skateboard depinde de mulți factori, cum ar fi: greutatea utilizatorului, suprafața pe care se mișcă skateboard-ul, terenul, stilul și modul de conducere, condițiile atmosferice și nivelul adecvat al presiunii aerului în roți.

- Trebuie reținut, de asemenea, faptul că eficiența bateriei scade în timp. Acesta este un proces natural și nu trebuie tratat ca o defecțiune.



- Skateboard-ul are roțile fără cameră, care datorită presiunii adecvate a aerului din anvelope atenuază vibrațiile în timpul conducerii.
- Verificați în mod regulat presiunea în anvelope pentru a asigura un confort sporit al condusului, precum și cea mai lungă distanță parcursă pe o baterie complet încărcată. Skateboard-ul este dotat cu ventile standard, datorită cărora este posibilă pomparea roților prin intermediul compresoarelor disponibile în comerț. Setul este echipat, de asemenea, cu un adaptor pentru a facilita umflarea roții din față.
- Este interzisă deplasarea cu skateboard-ul la un nivel scăzut al presiunii în anvelope, deoarece acest lucru poate provoca un accident și distrugerea permanentă a anvelopei care nu este acoperită de garanție.

Presiunea adecvată a pneurilor este de – 3-3,4 bari.

Manual instructiuni

Vă mulțumim pentru achiziționarea scuterelor electrice BLAUPUNKT ESC808. Citiți acest manual și păstrați-l pentru recomandări ulterioare. Informațiile conținute în acest manual vă vor ajuta să vă familiarizați cu următoarele aspecte:

- Funcționarea de bază și învățarea modului de a conduce pe un scuter electric.
- Siguranța în timpul conducerii pe un scuter electric.
- Construirea și întreținerea unui scuter electric.



Dispozitivul respectă cerințele următoarelor directive ale Uniunii Europene:

- echipamente electrice de joasă tensiune - directivă de joasă tensiune (LVD)
- Compatibilitate electromagnetică (EMC) Produsul este marcat CE pe plăcuța de identificare



În cazul în care pe aparat apare un simbol al cosului de gunoi, acesta indică faptul că produsul este reglementat de Directiva Europeană 2012/19 / UE. Familiarizați-vă cu cerințele sistemului local de colectare a deșeurilor electrice și electronice. Urmați regulamentele locale. Nu aruncați acest produs în deșeurile menajere. Îndepărtarea corespunzătoare a produsului vechi va împiedica potențiale efecte negative asupra mediului și sănătății umane.



Dispozitivul este echipat cu baterii care intră sub incidența Directivei europene 2006/66 / CE. Nu aruncați bateriile împreună cu deșeurile menajere. Consultați reglementările locale privind colectarea separată a bateriilor, deoarece eliminarea adecvată va împiedica posibilele consecințe negative asupra mediului și sănătății umane.

Informații privind protecția mediului Ambalajul conține numai elementele necesare. Pentru a se asigura că cele trei materiale de ambalare sunt ușor de separat: carton, spumă de polistiren (protecție internă) și polietilenă (genți de mână, folie protectoare). Dispozitivul este fabricat din materiale reciclabile și poate fi utilizat din nou după dezasambarea acestuia de către o companie specializată. Respectați reglementările locale pentru eliminarea materialelor de ambalare, a deșeurilor de baterii și a echipamentelor inutile.



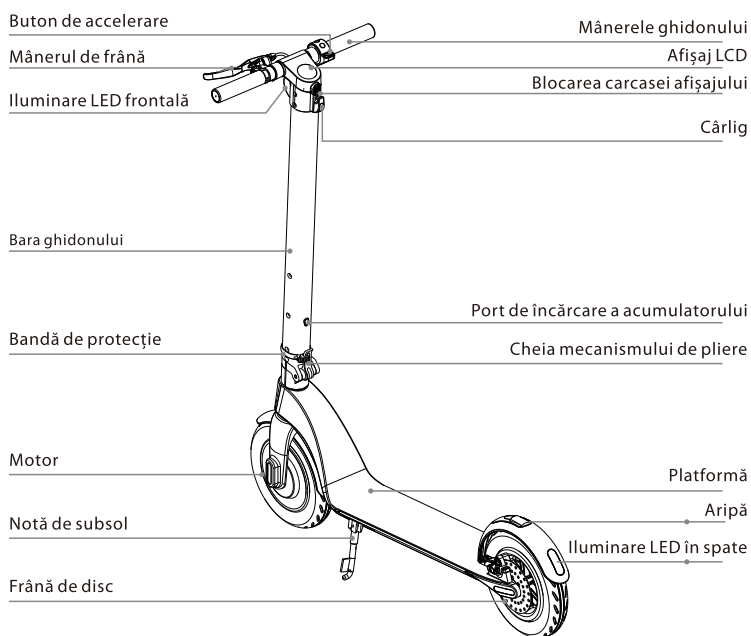
Produsul este fabricat din materiale și componente de înaltă calitate care pot fi reciclate și reutilizate.

Funcții principale

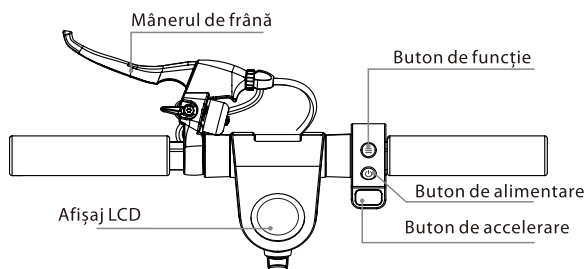
Blaupunkt ESC808 este un scuter electric pliabil inovator. Utilizatorul poate sta pe platforma scuterului și ajustează viteza folosind mânerul corespunzător de pe ghidon.

- Roțile din față și din spate sunt simetrice, iar tracțiunea pe față oferă o mai mare siguranță pentru mobilitate. 8.5" roțile gonflabile sporesc confortul de rulare.
- Frâna de disc acționată de la mânerul ghidonului și frâna de picior din spate asigură cea mai scurtă distanță de frânare și poate proteja mai bine conducătorul.
- Dispozitivul utilizează o baterie litiu-ion, curentul maxim de descărcare este mai mare de 10A, o putere mare fără încărcare de memorie, fără contaminare.
- Greutatea totală a dispozitivului este de numai 13,5 kg. Designul pliabil cu o singură cheie asigură o manipulare și o depozitare ușoară.
- Общото тегло на съоръжението е само 13,5 kg. Сгъваемата конструкция с един ключ е гаранция за комфортно пренасяне и съхранение.

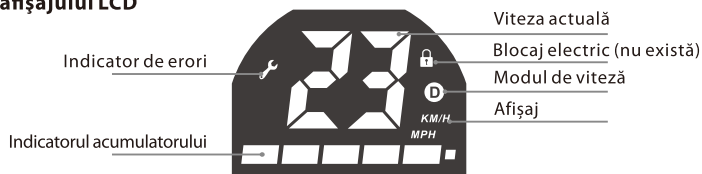
Design:



Construcția sistemului de comandă



Construcția afișajului LCD



Descriere butoanelor/funțiilor:

1. Butonul de alimentare: apăsați lung butonul de alimentare pentru a porni / opri alimentarea;
2. Butonul de accelerație: apăsați butonul de accelerație din dreapta pentru a începe să conduceți și să accelerați;
3. Frână: țineți mânerul de frână pentru a frâna. Apăsați ușor frâna din spate pentru a ajuta la frânare; (în timpul frânării LED-ul din spate luminează intermitent)
4. Buton funcțional: apăsați scurt tasta funcțională pentru a selecta modul de viteză:
 - a. Modul pentru începători: fără pictograma „D”
 - b. Modul normal: pictograma „D” luminează în alb
 - c. Modul sport: pictograma „D” luminează în roșu
5. Iluminare LED: Apăsați de două ori butonul funcțional, pentru a pori iluminarea LED din față și din spate; apăsați din nou de două ori butonul funcțional, pentru a opri iluminarea LED.
6. Modul de croazieră: mențineți viteza actuală timp de aproximativ 6 secunde pentru a activa modul de control al vitezei de croazieră; apăsați butonul de accelerație sau apăsați mânerul frânei pentru a dezactiva funcția modului de croazieră

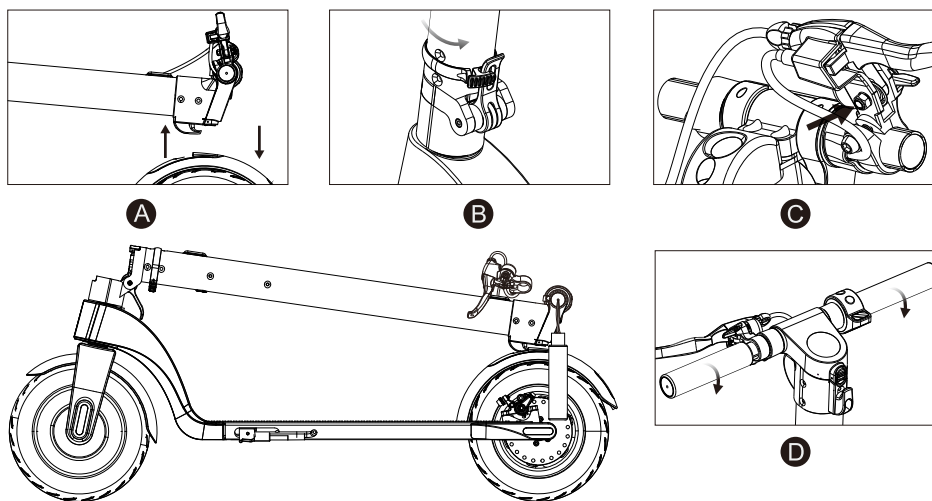
Despachetare

După deschiderea cutiei de carton, în primul rând scoateți scuterul și asigurați-vă că toate piesele sunt complete. Dacă ceva lipsește, contactați distribuitorul. Verificați starea unității și aspectul acesteia pentru a vă asigura că sistemul de pliere este suficient de stabil și că platforma este lipsită de fisuri. Verificați și faptul că ecranul de afișare nu este deteriorat.

Instalare

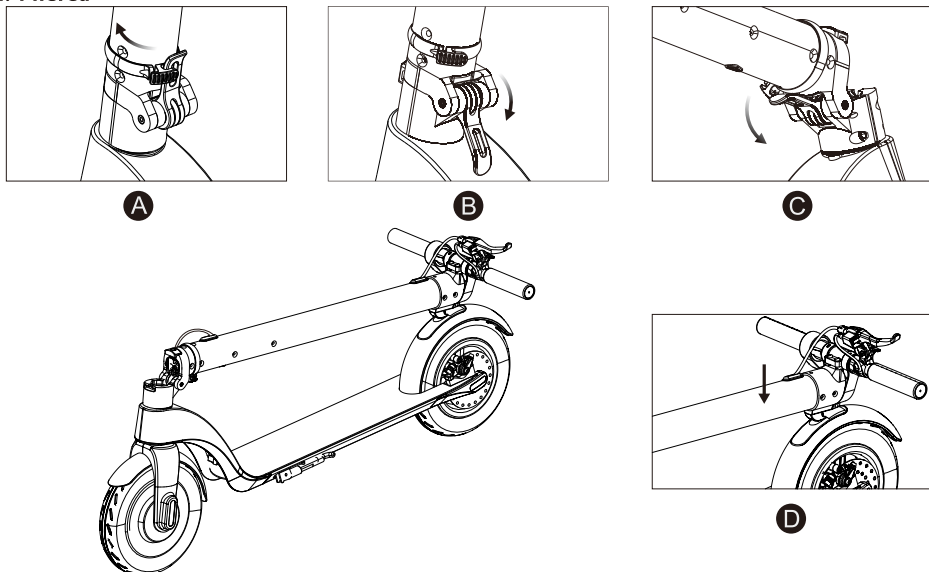
Dupa despachetarea și verificarea stării tuturor componentelor, puteți începe să montați scuterul. Urmați imaginea de mai jos:

1. Asamblarea



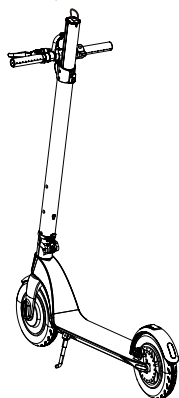
- A. Apăsăți aripa din spate pentru a debloca elementul de blocare și a ridica bara ghidonului în poziție verticală;
- B. Blocați mecanismul de pliere prin ridicarea cheii până în partea superioară, protejați cheia împotriva auto-blocării prin rotirea benzii de siguranță maxim spre dreapta.
- C. Fixați corpul frânei utilizând o cheie hexagonală M6
- D. Instalați mânerul ghidonului (atrageți atenția asupra direcției de fixare)

2. Plierea

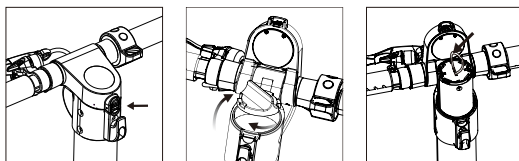


- A. Rotiți banda de protecție a cheii spre stânga;
- B. Apăsăți cheia mecanismului de pliere maxim în jos;
- C. Pliăți delicat bara ghidonului trăgând-o în jos;
- D. Aproiați cărligul fixat pe bara ghidonului de orificiul din spatele aripii și fixați-l cu scopul de blocare;

3. Montajul/demontajul acumulatorului



Montajul

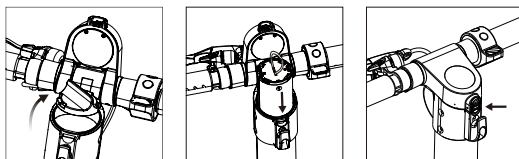


A

B

C

Dezasamblarea



A

B

C

Montajul acumulatorului:

- A. Apăsăți butonul de blocare a carcasei afișajului care se află deasupra cârligului și ridicați carcasa;
- B. Rotiți capacul acumulatorului în stânga și îndepărtați-l;
- C. Introduceți acumulatorul în orificiul din bara ghidonului și puneți capacul înapoi rotindu-l spre dreapta;

Demontajul acumulatorului

- A. Deschideți carcasa afișajului apăsând butonul deasupra cârligului și desfaceți capacul acumulatorului
- B. Trageți acumulatorul de funia colorată și scoateți-l;
- C. Fixați capacul acumulatorului și coborâți carcasa afișajului;

ATENȚIE!

După scoaterea acumulatorului îl puteți încărca cu ajutorul încărcătorului furnizat.



Nu încărcați bateria când manevrați, curățați sau întrețineți scuterul.

Ghid pentru o calatorie sigura

Conținutul acestui capitol este foarte important, citiți cu atenție și respectați toate regulile și procedurile de siguranță. Compania noastră nu este responsabilă pentru orice accidente care au ca rezultat daune materiale sau de sănătate datorate încălcării acestui ghid de siguranță în condiții de siguranță.

Un scuter electric nu este doar o unealtă distractivă, ci și un mijloc de transport. Respectarea măsurilor de siguranță adecvate în timpul conducerii vă poate proteja pe dumneavoastră și pe ceilalți de un accident. Rețineți că folosirea scuterului dvs. pe teren și pe drumurile publice poate duce la ciocniri cauzate de ceilalți utilizatori ai drumului, chiar dacă respectați toate măsurile de siguranță. Este foarte important să se țină o distanță suficientă de ceilalți utilizatori ai drumurilor și de alte vehicule.

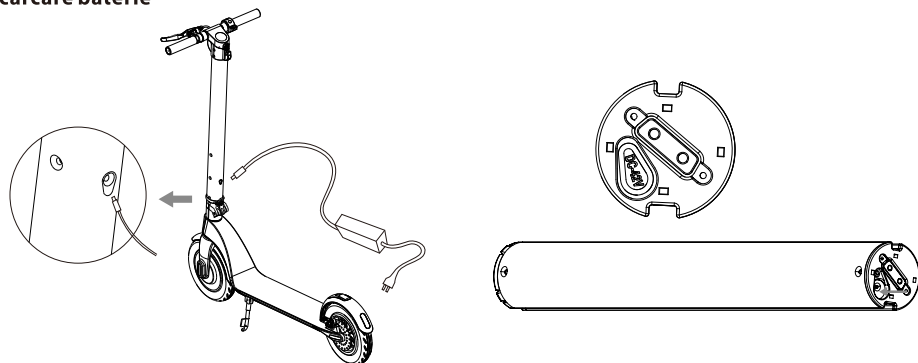
Conducerea trotinetei

- Respectați reglementările locale privind traficul rutier atunci când conduceți un scuter. Trebuie să ghidezi scuterul cu atenție și calm, acordând atenție altor persoane și obiecte pentru a evita coliziunile.
- Conduceți scuterul în condiții de siguranță la viteză controlată și la distanță de pietoni și alte vehicule. Fiți gata să vă opriți în orice moment. Evitați accelerarea bruscă și frânarea.
- Când umblați pe trotuar, respectați drepturile pietonilor, acordați prioritate atunci când trec prin centuri și nu înspăimântați trecătorii, în special copiii.
- Ajustați viteza scuterului la ceilalți utilizatori ai drumului în zonele aglomerate. Dacă doriți să depășiți un grup de pietoni, asigurați-vă că aveți suficient spațiu și faceți-l în siguranță. Intrarea într-o mulțime la viteză mare este foarte periculoasă.
- Nu parcați scooterul într-un loc care va face trecerea dificilă.
- Când conduceți scuterul, trebuie să vă relaxați, să aveți genunchii ușor îndoiți și capul ridicat.



În cazul unei accelerații bruște sau al unei frânări bruște în timp ce conduceți cu viteză mare, șoferul poate deveni ușor dezechilibrat și, în cele din urmă, poate cauza un accident. Încercați să evitați astfel de situații.

Incarcare baterie



- Asigurați-vă că priza electrică este uscată.
- Atunci când încărcarea se efectuează direct la acumulatorul montat pe scuter, deschideți capacul prizei de încărcare a acumulatorului, care se află pe ghidon, chiar deasupra mecanismului de pliere a scuterului. Atunci când încărcarea acumulatorului se efectuează cu acumulatorul dezasamblat, trebuie să deschideți capacul prizei de încărcare, care se află în partea sa inferioară.
- Conectați fișa adaptorului la sursa de alimentare (110 V ~ 240 V, 50 Hz ~ 60 Hz), asigurați-vă că lampa verde de încărcare este aprinsă, introduceți cealaltă mufă de adaptor în mufa de încărcare a scuterului.
- Când LED-ul roșu al sursei de alimentare se aprinde, bateria se încarcă corect, altfel verificați toate conexiunile prin cablu.
- Când lumina roșie devine verde, bateria este încărcată complet. Deconectați sursa de alimentare de la sursa de alimentare. Încărcarea pe termen lung poate reduce durata de viață a bateriei.
- Urmați instrucțiunile pentru încărcarea bateriei, în caz contrar se va deteriora bateria și se scurtează durata de viață.
- Timpul de încărcare a bateriei scuterelor este de aproximativ 2 ore. Producătorul nu poate garanta același timp de încărcare și funcționare a bateriei datorită uzurii sale.
- Asigurați-vă condiții curate și uscate la încărcarea bateriei.
- Nu încărcați bateria când priza este umedă.

Prima calatorie

Pregatire

- Selectați locația dorită. Acest loc poate fi interior sau exterior, trebuie să aibă o suprafață de 10 x 10 metri (aproximativ 100 de metri pătrați). Locul trebuie să fie fluturat, nici umed, nici alunecos, fără obstacole, fără vehicule, copii, animale de companie sau orice alte lucruri care ar putea distrage atenția.
- Citiți cu atenție acest manual, dacă aveți ocazia de a face acest lucru, pentru sfaturile unei persoane care are mai multă experiență în ceea ce privește conducerea în condiții de siguranță.
- Purtați cască și protectori pentru a evita posibile răni. Deplasați scuterul în centrul zonei în care vă deplasați și vă familiarizați cu zona.

Lansare

- Apăsăți și țineți apăsat butonul POWER timp de 2 secunde pentru a activa scuterul; Apoi selectați unul dintre cele trei moduri de viteză.
- Puneți un picior pe platformă, iar cu celălalt picior împingeți-vă, punând scuterul în mișcare;
- Plasați celălalt picior pe platformă și încercați să vă mențineți echilibrul;
- Cu degetul mare al mâinii drepte apăsați butonul de accelerare, nu conduceți prea repede;
- Apăsăți mânerul de frână cu mâna stângă pentru a frâna, apăsați ușor pe frâna din spate pentru a ajuta la frânare;
- Atunci când scuterul se mișcă la viteză mică sau se oprește complet, puteți să coborâți de pe platformă;
- Pentru a avertiza alți utilizatori în locul în care vă deplasați, utilizați soneria montată lângă mânerul frânei;

Curățarea și depozitarea

- Curățați scuterul după fiecare călătorie.
- Dacă suprafețele de cauciuc sunt perfecte pentru curățare, utilizați o periuță de dinți și o pastă de dinți și curățați-o cu o cârpă moale. Această metodă poate elimina, de asemenea, zgârieturi mici.
- Depozitați scuterul în interior, într-un loc răcoros și uscat. Nu expuneți scuterul la lumina soarelui prelungită.



Când curățați, recipientul pentru încărcarea bateriilor trebuie să fie bine închis, altfel puteți fi electrocutat și scuterul poate fi grav afectat. Nu vă spălați scuterul sub jet de apă de înaltă presiune sau îl scufundați în apă - aceasta poate provoca daune ireparabile aparatului.

Întreținere baterie

Bateria este cea mai importantă parte de întreținere. Pentru a vă extinde durata de viață, urmați instrucțiunile de mai jos:

- Citiți și urmați notele referitoare la marcarea bateriei.
- Temperatura optimă de păstrare a acumulatorului este de 10 grade. Nu depozitați acumulatorul la temperaturi sub -10 grade sau peste 35 de grade.
- Dacă temperatura ambiantă este sub 0 grade, nu încărcati bateria, mutați bateria într-un loc unde temperatura este mai mare de 10 grade, așteptați un timp și apoi începeți să încărcati bateria.
- Depozitați bateria într-un loc răcoros și uscat. Un loc foarte umed poate provoca condens în interiorul bateriei, care poate deteriora rapid bateria.
- Când afișajul indică un nivel scăzut al bateriei, conectați acumulatorul la încărcător. Încercați să împiedicați complet descărcarea bateriei. Încărcați complet acumulatorul înainte de a începe să conduceți. Încărcarea frecventă nu va deteriora bateria. Dimpotrivă, stocarea pe termen lung a unei baterii neîncărcate poate scurta durata de viață

Funcții și specificații

- Motor: 350 W
- Acumulator: 36 V 5.0 Ah
- Acumulator înlocuibil
- Viteză maximă: 25 km/h (reglare a vitezei în 3 trepte)
- Arie de acoperire: până la 20 km (în funcție de sarcină și tipul suprafeței)
- Sarcina maximă: 120 kg
- Înclinarea vehiculului: 15-20 grade
- Funcția de croazieră
- Frâna din spate - cu disc, frâna auxiliară (de picior)
- 8.5" roți gonflabile
- Iluminare LED în față și în spate
- Afișaj LCD care indică viteza și starea de încărcare a acumulatorului
- Sonerie de avertizare
- Mecanism ușor de pliere
- Curent de încărcare: 42 V 2 A
- Timpul de încărcare: 2 ore
- Dimensiuni: 1056x420x450/1186 mm (pliată/desfăcută)
- Greutatea netă: 13,5 kg

Date tehnice adaptor:

Voltaj intrare: 110-240V~50/60Hz

Curent max.intrare: 2,5A

Voltaj iesire: 42 V

Curent max.iesire: 2 A

Saugos principai

- Susipažinkite su vietos eismo taisyklėmis ir jų laikykitės.
- Visada dėvėkite sertifikuotą šalną ir kitas alkūnių, kelių bei riešų apsaugas.
- Įjungę elektrinį paspirtuką patikrinkite akumulatoriaus įkrovos būseną. Nesiruoškite ilgesniam pasivažinėjimui, jei akumulatoriaus įkrovimas yra mažesnis nei 25%,.
- Patikrinkite elektrinio paspirtuko išorinę išvaizdą ir techninę būklę. Atkreipkite ypatingą dėmesį į tai, ar elementai nėra laisvi ir ar prietaisas neskleidžia nerimą keliančių garsų.
- Vartotojas turėtų būti sveikas, išsimiegojęs, jis turėtų būti blaivus, o prieš važiuojant negali vartoti jokių raminamųjų ir psichotropinių vaistų.
- Atminkite, kad važiuodami esate 7 cm aukštesni, todėl būkite atsargūs, kai važiuojate pro duris, stebėkite ženklus, šakas ir kitas viršutines kliūtis, kad galėtumėte apsaugoti galvą nuo sužeidimų.
- Ši įranga gali būti naudojama vaikų ne mažiau kaip 12 metų amžiaus ir asmenų turinčių sumažintus fizinius, protinius pajėgumus, bei asmenų su patirties ir prietaiso žinių stoka, jei bus jie prižiūrimi arba atlikus įrangos naudojimo saugos instruktažą taip, kad susijusi su tuo rizika būtų suprantama. Vaikai neturėtų su įranga žaisti. Vaikams be priežiūros draudžiama atlikti įrangos valymą, bei konservavimą.
- Prietaisui naudokite tik originalius ar gamintojo rekomenduojamus priedus. Gamintojo nerekomenduojamų priedų naudojimas gali sugadinti prietaisą ir kelti pavojų naudojimo saugai.
- Maitinimo blokas turi būti prijungtas tik prie gamyklinės lentelės verčių charakteristiką atitinkančio elektros lizdo.
- Jei maitinimo laidas arba kištukas yra pažeisti arba kištukas yra laisvas elektros lizde, nekraukite prietaiso bei nemaitinkite jo iš elektros tinklo.
- Kai maitinimo blokas nenaudojamas, atjunkite jį nuo elektros lizdo.
- Niekada nemerkitė maitinimo bloko vandenyje ar kituose skysčiuose.
- Neprijunkite ir neatjunkite maitinimo bloko nuo maitinimo šaltinio šlapiomis rankomis.

Visiškai draudžiama

- Negalima važinėti pagal vietos ar nacionalinę teisę draudžiamosiose zonose.
- Draudžiama judėti šlaituose, kurių nuolydžio kampas viršija 17 laipsnių, nevažiuokite į balas ar vandens rezervuarus, kurių gylis didesnis nei 5 cm.
- Paspirtuku negalima važinėti laiptais.
- Negalima važinėti automobiliams skirtais keliais, kelkraščiais ar keliais, kuriuose draudžiama važiuoti.
- Paspirtuku draudžiama važiuoti keliems žmonėms, bei vežioti vaikus, taip pat ir atitinkamose nešynėse.
- Draudžiama važinėti paspirtuku nelaikant vairo.
- Draudžiama paspirtuku savarankiškai važinėti vaikams iki 12 metų ir vyresniems nei 60 metų asmenims. Vairavimo metu tokius asmenis turi prižiūrėti kiti šeimos nariai ar globėjai. Draudžiama važinėti paspirtuku nėščioms moterims, apsvaigusiems asmenims, asmenims su psichikos sutrikimais ir žmonėms su negalia, turintiems ribotą vairavimo gebėjimą.
- Negalima važinėti paspirtuku pavojingose vietose ir tose, kur kyla gaisro ar sprogimo pavojus.
- Negalima kalbėti telefonu važiuojant paspirtuką.
- Venkite važinėti blogomis oro sąlygomis, tokiomis kaip stiprus lietus, sniegas, stiprus vėjas bei aplėdėjusiais, slidžiais arba purviniais keliais.

INSTRUKCIJOS PRIEŠ PRADEDANT VAŽINĖTI!

- Šis paspirtukas turi priekiniame rate sumontuotą elektrinį variklį. Negalima užmiršti, kad važinėjimas paspirtuku lyjant ar šlapiu paviršiumi, gali sukelti sušlapimą, o tai grėšią variklio sugadinimu. Defektui netaikoma garantija.
- Maksimalus paspirtuko važiavimo diapazonas priklauso nuo daugelio veiksnių, tokių kaip: vartotojo svoris, paviršius, kuriuo važiuoja paspirtukas, reljefas, vairavimo stilius ir režimas, atmosferos sąlygos ir tinkamas oro slėgio lygis ratuose.
- Taip pat reikia nepamiršti, kad akumulatoriaus efektyvumas laikui bėgant mažėja. Tai natūralus procesas ir neturėtų būti traktuojamas kaip gedimas.



- Paspirtukas turi pripučiamus ratus su bekamerėmis padangomis, kurie dėl tinkamo oro slėgio padangose važiavimo metu slopina vibracijas.
- Reguliariai tikrinkite padangų slėgį, kad būtų užtikrintas optimalus važiavimo komfortas ir geriausias įmanomas važiavimo diapazonas su visiškai įkrautu akumulatoriumi. Paspirtukas turi standartinius ventilius, su kurių pagalba galima pripūsti ratus naudojant paprastai prieinamus kompresorius. Komplekte taip pat yra adapteris, kuris palengvina priekinio rato pripūtimą.
- Draudžiama važinėti su paspirtuku, turinčiu žemą padangų slėgio lygį, nes tai gali sukelti avariją ir padaryti nuolatinę žalą padangai. Tokiai žalai garantija netaikoma.

Tinkamas padangų slėgio diapazonas - 3-3,4 bar.

Naudojimo instrukcija

Dėkojame, kad įsigijote mūsų BLAUPUNKT ESC808 elektrinį paspirtuką. Susipažinkite su šia naudojimo instrukcija ir išsaugokite ją vėlesniam naudojimui. Šioje instrukcijoje pateikta informacija padės Jums susipažinti su šiomis temomis:

- Pagrindinė priežiūra ir mokymas važinėti elektriniu paspirtuku.
- Saugumas važiuojant elektriniu paspirtuku.
- Elektrinio paspirtuko konstrukcija ir priežiūra.



Prietaisas atitinka Europos Sąjungos direktyvų reikalavimus:

- Žemos įtampos elektros prietaisai - Low voltage directive (LVD)
- Elektromagnetinis suderinamumas - Electromagnetic compatibility (EMC)

Produktas pažymėtas CE ženklu etiketėje



Jei prietaisas turi perbrauktą šiukšliadėžės ženklą, tai reiškia, kad gaminyje atitinka Europos direktyvos 2012/19/ES taikymo sritį. Susipažinkite su vietinės elektros ir elektroninių atliekų surinkimo reikalavimais. Prašome laikytis vietinių taisyklių. Neišmeskite šio produkto kartu su įprastomis buitinėmis atliekomis. Teisingas seno produkto pašalinimas užkirs kelią galimam neigiamam poveikiui aplinkai ir žmonių sveikatai.

Išsamią informaciją apie artimiausią surinkimo punktą galima gauti tiesiogiai iš pardavėjo ar įmonės Blaupunkt Competence Center, 2N-Everpol Sp. z o.o., Puławska g. 403A, 02-801 Varšuva, tel. +48 22 331 9959, el. paštas: emobility@blaupunkt.pl



Prietaisas turi baterijas, kurioms taikoma Europos direktyva 2006/66/EB. Baterijų negalima išmesti kartu su buitinėmis atliekomis. Susipažinkite su vietiniais teisės aktais dėl baterijų surinkimo, nes tinkamas šalinimas padės išvengti galimo neigiamo poveikio aplinkai ir žmonių sveikatai.

Informacija apie gamtinės aplinkos apsaugą

Pakuotėje yra tik būtini elementai. Buvo dedamos visos pastangos, kad būtų galima lengvai atskirti tris pakuotės dalis: kartoną (dėžutę), putų polistireną (apsaugą viduje) ir polietileną (maišelius, apsauginį lapą). Prietaisas pagamintas iš medžiagų, kurios gali būti perdirbtos ir pakartotinai panaudotos juos išmontavus specializuotoje įmonėje. Laikykitės vietinių pakuočių medžiagų, naudotų baterijų ir nereikalingos įrangos šalinimo taisyklių.



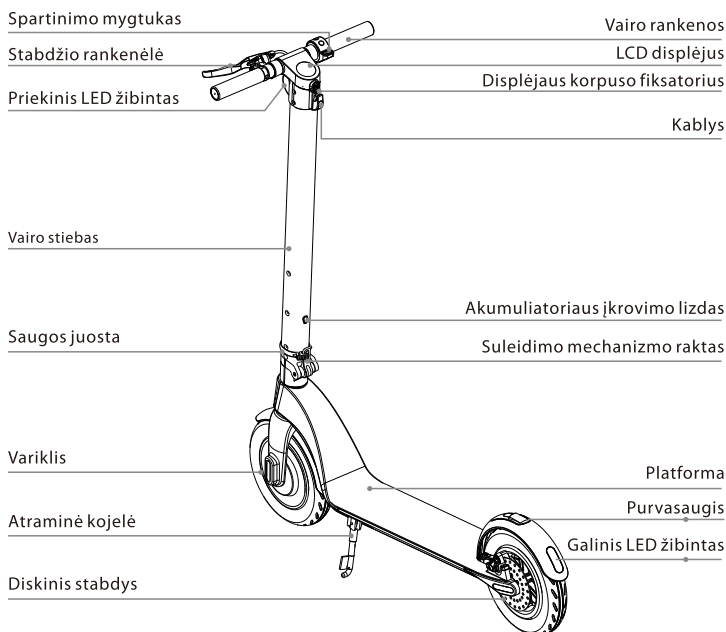
Produktas pagamintas iš aukštos kokybės medžiagų ir komponentų, kuriuos galima perdirbti ir pakartotinai naudoti.

Pagrindinės elektrinio paspirtuko savybės:

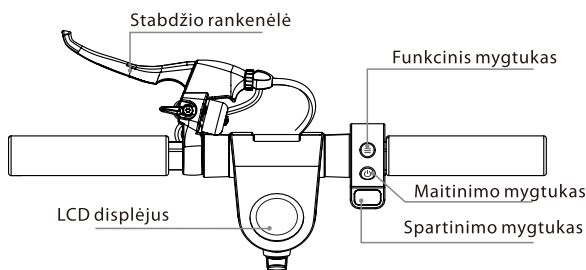
Blaupunkt ESC808 tai novatoriškas sulankstomas elektrinis paspirtukas. Naudotojas gali stovėti ant paspirtuko platformos ir reguliuoti greitį naudodamas atitinkamą keitiklį ant vairo rankenos.

- Priekiniai ir galiniai ratai yra simetriški, priekinio rato pavara užtikrina didesnį judėjimo saugumą. 8.5" pumpuojami ratai padidina važinėjimo komfortą.
- Diskinis stabdys, valdomas vairo rankenėle ir galiniu kojiniu stabdžiu, užtikrina trumpiausį stabdymo kelią ir gali geriau apsaugoti naudotoją.
- Prietaisas naudoja ličio jonų akumuliatorių, maksimali iškrovimo srovė didesnė nei 10A, didelė galia be įkrovimo atminties poveikio, be taršos.
- Bendras prietaiso svoris tai tik 13,5 kg. Sulankstoma konstrukcija su vienu raktu garantuoja pernešimo ir saugojimo komfortą.

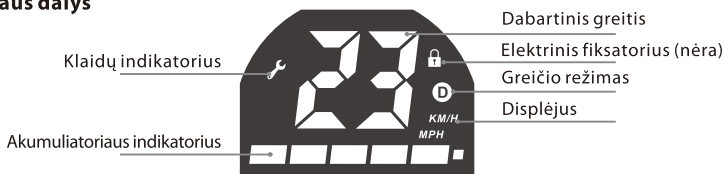
Elektrinio paspirtuko konstrukcija:



Vairavimo sistemos dalys



LCD displejaus dalys



Mygtukų/funkcijų aprašymas:

1. Maitinimo mygtukas: ilgai paspauskite maitinimo mygtuką, kad įjungtumėte / išjungtumėte maitinimą;
2. Spartinimo mygtukas: paspauskite dešinįjį spartinimo mygtuką, kad pradėtumėte važiuoti ir paspartinti;
3. Stabdys: laikykite stabdžio rankenėlę, kad sustabdytumėte. Lengvai paspauskite galinį purvasaugį, kad padėti stabdyti; (stabdymo metu mirksi galinis LED žibintas)
4. Funkcinis mygtukas: trumpai paspauskite funkcinį mygtuką, kad pasirinktumėte greičio režimą:
 - a. Pradedančiųjų režimas: nėra „D“ piktogramos
 - b. Įprastas režimas: „D“ piktograma paryškinta balta spalva
 - c. Sportinis režimas: „D“ piktograma paryškinta raudona spalva
5. LED žibintai: Paspauskite funkcinį mygtuką du kartus, kad įjungtumėte priekinį ir galinį LED žibintą; dar kartą paspauskite funkcinį mygtuką, kad išjungtumėte LED žibintus.
6. Kruizo kontrolės režimas: išlaikykite esamą greitį maždaug 6 sekundes, kad įjungtumėte kruizo kontrolės režimą; paspauskite spartinimo mygtuką arba paspauskite stabdžio rankenėlę, kad išjungtumėte kruizo kontrolės funkciją

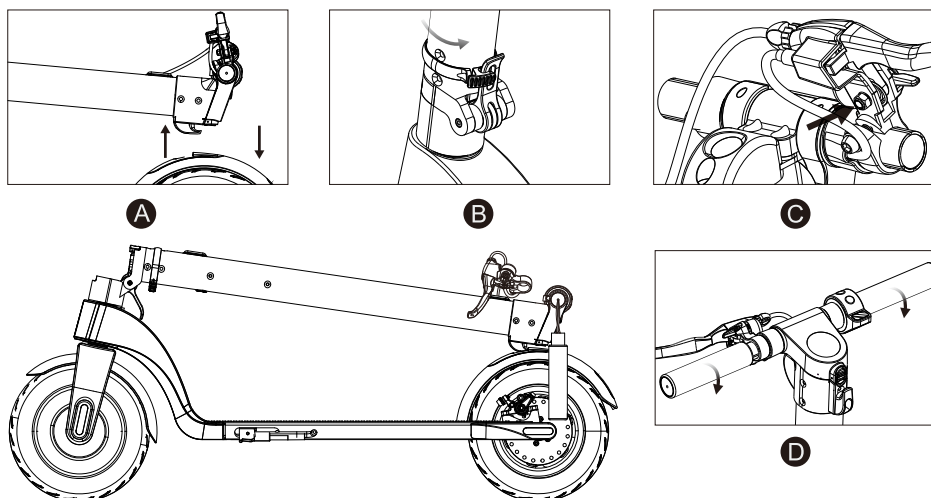
Išpakavimas

Atidarius kartono dėžę, pirmiausia išimkite paspirtuką ir patikrinkite, ar yra visi komponentai. Jei kažko nors nėra, susisieki su pardavėju. Patikrinkite prietaiso būklę ir jo išorinę išvaizdą, ar sulankstymo sistema yra pakankamai stabili, ar platforma neturi įtrūkimų. Taip pat patikrinkite, ar nepažeistas ekranas.

Montažas

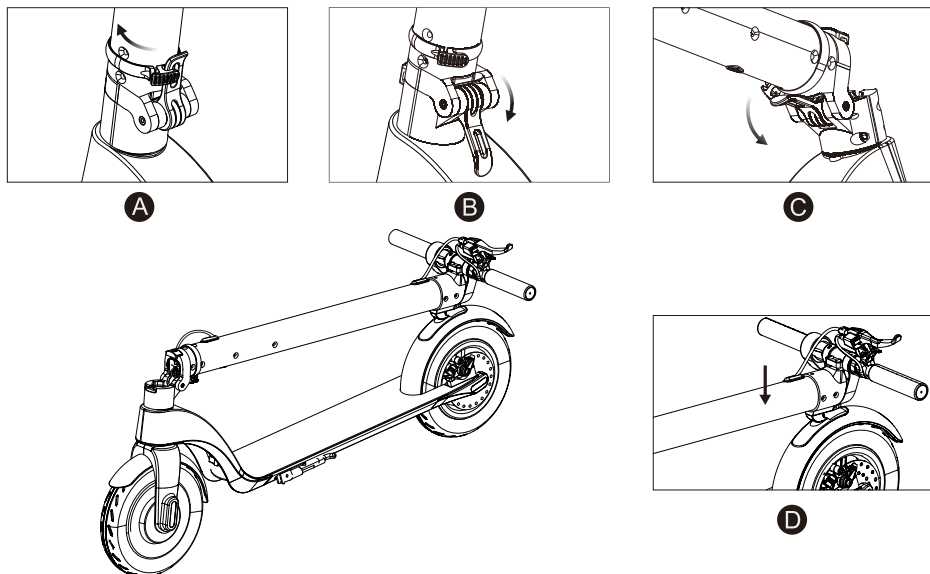
Išpakavus ir patikrinus visų komponentų būklę, paspirtukas gali būti sumontuotas. Vadovaukitės toliau pateiktomis instrukcijomis:

1. Išleidimas



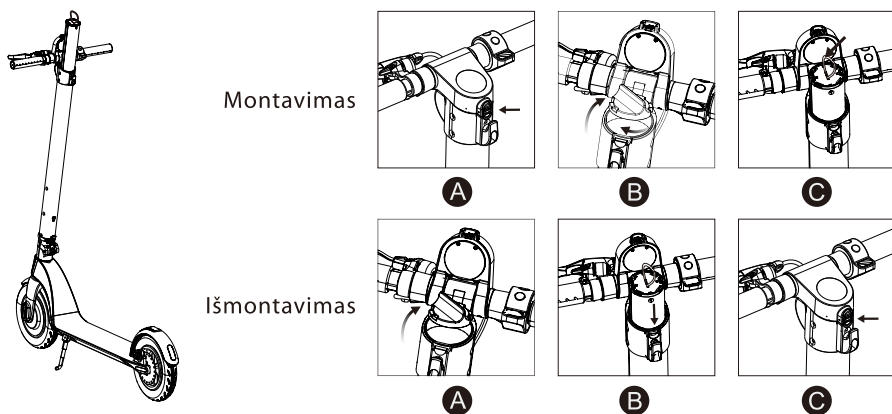
- A. Paspauskite galinį purvasaugį, kad atlaisvintumėte fiksatorių ir pakelkite vairo stiebą į vertikalią padėtį;
- B. Užfiksuokite lankstymo mechanizmą pakeldami raktą maksimaliai į viršų, apsaugokite raktą nuo savaiminio atsiblokavimo persukant saugos juostą maksimaliai į dešinę.
- C. Stabdžių korpusą montuokite M6 šešiakampiu raktu
- D. Prisukite vairo rankenėles (atkreipkite dėmesį į prisukimo kryptį)

2. Sulankstymas



- A. Pasukite saugos juostos raktą į kairę;
- B. Paspauskite suleidimo mechanizmo raktą maksimaliai į apačią;
- C. Švelniai suleiskite vairo stiebą, traukdami jį žemyn;
- D. Priartinkite ant vairo stiebo pritvirtintą kablį prie angos galiniame purvasaugyje ir prispauskite, kad užsifiksuotų;

3. Įrenginio montavimas / išmontavimas



Akumulatoriaus montavimas:

- A. Paspauskite displėjaus korpuso fiksatoriaus mygtuką esantį virš kablo ir pakelkite korpusą i viršų;
- B. Pasukite akumulatoriaus dangtelį į kairę ir nuimkite jį;
- C. Įdėkite akumuliatorių į vairo stiebe esančią angą ir užsukite dangtelį pasukant jį į dešinę;

Akumulatoriaus išmontavimas

- A. Atidarykite displėjaus korpusą paspausdami mygtuką virš kablo ir atsukite akumulatoriaus dangtelį
- B. Patraukite akumuliatorių už spalvoto laido ir išimkite jį;
- C. Užsukite akumulatoriaus dangtelį ir nuleiskite displėjaus korpusą;

DĖMESIO!

Išėmus akumuliatorių, galima jį įkrauti naudojant pristatytą maitinimo šaltinį.



Negalima krauti akumulatoriaus nešant, sulenkiant, valant ar prižiūrint paspirtuką.

Saugaus vairavimo vadovas

Šio skyriaus turinys yra labai svarbus, atidžiai jį perskaitykite ir laikykitės visų saugos taisyklių ir procedūrų. Mūsų įmonė neatsako už nelaimingus atsitikimus, dėl kurių prarandamas turtas arba prarandama sveikata dėl šio saugaus važinėjimo vadovo pažeidimo.

Elektrinis paspirtukas skirtas pramogoms, bet tai ir transporto priemonė. Tinkamų saugos taisyklių laikymasis važinėjant gali apsaugoti Jus ir kitus nuo nelaimingo atsitikimo. Reikia atsiminti, kad paspirtukų naudojimas lauke ir viešuosiuose keliuose yra susijęs su kitų eismo dalyvių sukelta susidūrimo rizika, net jei prisitaikysite prie visų saugos taisyklių. Labai svarbu išlaikyti tinkamą atstumą nuo kitų eismo dalyvių ir kitų transporto priemonių.

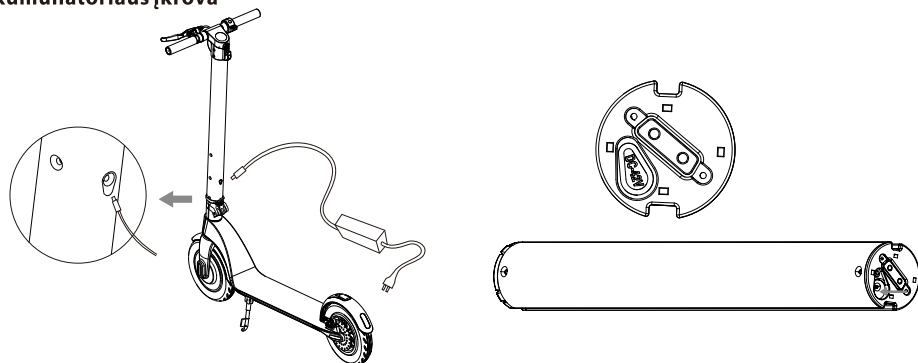
Judėjimas paspirtuku

- Važinėjant paspirtuku turi būti laikomasi vietinių eismo taisyklių. Vairuoti paspirtuką protingai ir ramiai, atkreipkite dėmesį į kitus žmones ir daiktus, kad išvengtumėte susidūrimų.
- Važinėkite paspirtuku saugiai, išlaikydami kontroliuojamą greitį ir tinkamą atstumą nuo pėsčiųjų ir kitų transporto priemonių. Būkite pasirengę sustoti bet kuriuo metu. Venkite staigaus greičio padidinimo ir staigaus stabdymo.
- Važiuojant pėsčiųjų takeliu, gerbkite pėsčiųjų teises, perleiskite juos kertant perėjas, negasdinkite pėsčiųjų, ypač vaikų.
- Perpildytose vietose pritaikykite paspirtuko greitį prie kitų eismo dalyvių. Jei norite aplenkti pėsčiųjų grupę, įsitinkinkite, kad turite pakankamai vietos ir saugiai atliksite šį manevrą. Judėjimas minioje dideliu greičiu yra labai pavojingas.
- Neparkuokite paspirtuko vietoje, kuri sukels sunkumų pėsčiųjų judėjimui.
- Judant paspirtuku turėtumėte būti atsipalaidavę, šiek tiek sulenkus kelius ir pakėlus galvą.



Staigiai pagreitinus arba staigiai stabdant važiuojant dideliu greičiu, važiuojantis paspirtuku gali lengvai prarasti pusiausvyrą ir galiausiai sukelti avariją. Stenkitės vengti tokių situacijų.

Akumulatoriaus įkrova



- Įsitikinkite, kad elektros lizdas yra sausas.
- Kai įkrovimas atliekamas paspirtuke sumontuotame akumuliatoriuje, atidarykite ant vairo stiebo esantį akumuliatoriaus įkrovimo lizdo dangtelį, kuris yra tiesiogiai virš paspirtuko suleidimo mechanizmo. Kai įkrovimas atliekamas išimtame akumuliatoriuje, atidarykite įkrovimo lizdo dangtelį, kuris yra akumuliatoriaus apačioje.
- Prijunkite maitinimo bloko kištuką prie maitinimo šaltinio, patikrinkite, ar žalias įkroviklio indikatorius šviečia įprastai, įkiškite antrą maitinimo bloko kištuką į paspirtuko įkrovimo lizdą.
- Kai raudonas maitinimo bloko indikatorius šviečia, tai reiškia, kad akumuliatorius įkraunamas teisingai, priešingu atveju patikrinkite visas kabelių jungtis.
- Kai raudonas indikatorius pakeičia spalvą į žalią, akumuliatorius visiškai įkrautas. Atjunkite maitinimo bloką nuo maitinimo šaltinio. Ilgainiui įkrovimas gali sutrumpinti baterijos veikimo laiką.
- Vadovaukitės akumuliatoriaus įkrovimo instrukcijomis, nes kitaip tai sukels akumuliatoriaus gedimą ir sutrumpins jo tarnavimo laiką.
- Paspirtuko akumuliatoriaus įkrovimo laikas - maždaug 2 valandos. Gamintojas negali garantuoti akumuliatoriui tokio pat įkrovimo laiko ir veikimo dėl jo nusidėvėjimo.
- Akumuliatoriaus įkrovimo metu užtikrinkite švarias ir sausas sąlygas.
- Nekraukite akumuliatoriaus, kai maitinimo lizdas yra šlapias.

Pirmas važiavimas

Paruošimas

- Pasirinkite tinkamą vietą. Tokia vieta gali būti patalpoje arba lauke, jos plotas turi būti 10 x 10 metrų (apie 100 kvadratinį metrų). Vieta turi būti plokščia, sausa ir neslidi, be kliūčių, be transporto priemonių, vaikų, naminių gyvūnėlių ar kitų dalykų, kurie galėtų atitraukti Jūsų dėmesį.
- Atidžiai susipažinkite su šiomis instrukcijomis, jei turite galimybę, naudokitės saugaus važiavimo srityje patyrusio asmens patarimais.
- Norėdami išvengti galimų sužalojimų, dėvėkite šalmą ir apsaugas. Perkelkite paspirtuką į vietą, kur judėsite, ir susipažinkite su aplinka.

Paleidimas

- Paspauskite ir palaikykite POWER mygtuką 2 sekundes, kad suaktyvintumėte paspirtuką; Tada pasirinkite vieną iš trijų greičio režimų.
- Uždėkite vieną koją ant platformos, o su kita koja atsispirkite, kad paspirtukas pradėtų judėti;
- Padėkite kitą koją ant platformos ir stenkitės išlaikyti pusiausvyrą;
- Dešinės rankos nykščiu spauskite spartinimo mygtuką, nevažiuokite per greitai;
- Paspauskite stabdžio rankenėlę kaire ranka, kad sustotumėte, švelniai paspauskite galinį purvasaugį, kad padėti stabdyti;
- Kai paspirtukas važiuoja mažu greičiu arba visiškai sustoja, galite nultipti nuo platformos;
- Norėdami įspėti kitus naudotojus toje vietoje, kur važinėjate, naudokite ant stabdžių rankenos pritvirtintą skambutį;

Valymas ir saugojimas

- Išvalykite paspirtuką po kiekvieno važiavimo.
- Jei guminiai paviršiai turi nešvarumų, kuriuos sunku valyti, naudokite dantų šepetėlį ir dantų pastą, tada nuvalykite šias vietas minkštu audiniu. Šis būdas taip pat gali pašalinti mažus įbrėžimus.
- Paspirtuką saugokite uždariose patalpose, vėsiose ir sausose vietose. Nepalikite paspirtuko ilgalaikiam saulės spindulių poveikiui.



Valant akumuliatoriaus įkrovimo lizdas turi būti sandariai uždarytas, priešingu atveju Jus gali pažeisti elektros smūgis ir galima sugadinti paspirtuką. Negalima plauti paspirtuko su aukšto slėgio vandens srove arba nardinti jį į vandenį - tai gali sukelti nepataisomą prietaiso pažeidimą.

Akumuliatoriaus priežiūra

Akumuliatorius yra svarbiausia dalis priežiūrai. Jei norite pratęsti jo tarnavimo laiką, vadovaukitės toliau pateiktomis instrukcijomis:

- Perskaitykite ir laikykitės baterijos ženklavimo pastabų.
- Geriausia akumuliatoriaus laikymo temperatūra tai 10 laipsnių. Nelaikykite akumuliatoriaus žemesnėje nei -10 laipsnių ar aukštesnėje nei 35 laipsnių temperatūroje.
- Jei aplinkos temperatūra yra žemesnė nei 0 laipsnių, nekraukite akumuliatoriaus, perkelkite akumuliatorių į vietą, kur temperatūra yra aukštesnė nei 10 laipsnių, palaukite ir pradėkite įkrauti akumuliatorių.
- Akumuliatorių laikykite patalpoje, vėsioje ir sausoje vietoje. Labai drėgnoje vietoje akumuliatoriaus viduje gali susidaryti vandens garų kondensatas, kuris gali greitai sugadinti akumuliatorių.
- Kai ekrane rodomas žemas akumuliatoriaus įkrovimo lygis, prijunkite jį prie įkrovimo. Stenkitės, kad akumuliatorius visiškai neišsikrautų. Prieš pradėdami važiuoti visiškai įkraukite akumuliatorių. Dažnas įkrovimas nepažeis akumuliatoriaus. Priešingai, ilgalaikis neįkrautas akumuliatoriaus laikymas gali sutrumpinti jo tarnavimo laiką

Funkcijos ir specifikacija

- Variklis: 350 W
- Akumuliatorius: 36 V 5,0 Ah
- Iškeičiamas akumuliatorius
- Maksimalus greitis: 25 km/val. (3 laipsnių greičio reguliavimas)
- Diapazonas: $\dot{\epsilon}\omega$ 20 km (priklausomai nuo apkrovos ir paviršiaus tipo)
- Maksimali apkrova: 120 kg
- Važiuojamosios kelio dalies nuolydis: 15 -20 laipsnių
- Kruizo kontrolės funkcija
- Galinis stabdys - diskinis, papildomas stabdys (kojinis)
- 8,5 " pumpuojami ratai
- Priekinis ir galinis LED žibintas
- LCD displejus rodantis greitį ir akumuliatoriaus pakrovimo būklę
- Įspėjamasis skambutis
- Paprastas suleidimo mechanizmas
- Įkrovimo srovė: 42 V 2 A
- Pakrovimo laikas: 2 valandos
- Matmenys: 1056x420x450/1186 mm (suleista/išleista)
- Grynasis svoris: 13,5 kg

Maitinimo bloko techniniai duomenys:

Įėjimo įtampa: 110-240 V~50/60 Hz

Maksimali įėjimo įtampa: 2.5 A

Išėjimo įtampa: 42 V

Maksimali išėjimo įtampa: 2 A

Ohutusnõuded

- Tutvu ja järgi kohalikke liikluseeskirju.
- Kanna alati atesteeritud kiivrit ja muid, küünarnukke, põlvi ning randmeid kaitsvaid vahendeid.
- Peale elektrilise tõukeratta sisselülitamist kontrolli akumulaatori laetuse taset. Kui akumulaatori laetuse tase on madalam kui 25%, ära pikka sõitu kavanda.
- Kontrolli üle elektrilise tõukeratta välimus ja tehniline seisund. Pööra erilist tähelepanu sellele, et mõni osade ühendustest ei oleks lõtvunud ja seade ei teeks kahtlaseid häáli.
- Kasutaja peab olema terve, väljamaganud, kaine ja mitte tarbima enne sõitmist mingeid rahustavaid või psühhotroopseid ravimeid.
- Pea meeles, et sõidu ajal oled sa 7cm kõrgem, mistõttu ole uste alt läbi sõites tähelepanelik, pea kaitsmiseks vigastuste eest jälgi märke, oksid ja muid ülalpool paiknevaid takistusi.
- Käesolevat seadet võivad kasutada vähemalt 12 aasta vanused lapsed ja piiratud füüsiliste ning vaimsete võimetega inimesed ja isikud, kellel puuduvad seadmega töötamise kogemused ning sellekohased teadmised, kui on tagatud järelevalve või läbi viidud seadme turvalist kasutamist käsitlev instruktaaz ja selgitatud arusaadavalt sellega seotud ohtusid. Lapsed ei tohi seadmega mängida. Lapsed ei tohi seadet ilma järelevalveta puhastada ega hooldada.
- Kasutage seadme originaal- või tootja poolt soovitatud tarvikuid. Tootja poolt mittesoovitatud tarvikute kasutamine võib viia seadme kahjustusteni ja seada ohtu kasutusturvalisuse.
- Toiteplokk tuleb ühendada ainult andmeplaadil olevate näitajate väärtustega kooskõlas oleva pesaga.
- Kui juhe või toiteploki pistik on kahjustatud või pistik paikneb elektrikontaktis lõdvalt, ära seadet lae ja ära varusta seda võrgutoitega
- Kui toiteploki ei kasutata, ühenda see elektrikontaktist lahti.
- Iialgi ära leota seadet vees või muudes vedelikes.
- Ära ühenda toiteploki vooluallikaga ega ühenda

Täiesti keelatud

- Kohalike või riiklike seadustega keelatud aladel tõukerattaga sõita ei tohi.
- Keelatud on sõita pervedel, mille kaldenurk ületab 17 kraadi, ära sõida lompidesse ja veekogudesse, mis on sügavamad kui 5cm.
- Treppidel tõukerattaga sõita ei tohi.
- Keelatud on sõita autoliikluseks ettenähtud teedel, teeveertel ja teedel, kus kehtib liiklemise keeld.
- Keelatud on tõukerattaga sõitmine mitmekesi aga ka laste vedamine, isegi asjakohase lapsekandmise vahendiga.
- Keelatud on juhtrauast kinni hoidmiseta tõukerattaga sõitmine.
- Alla 12 aastastel lastel ja 60-st aastast vanematel on iseseisev tõukerattaga sõitmine keelatud. Sellise sõidu ajal peavad läheduses viibima muud pereliikmed või hooldajad. Tõukerattaga ei tohi sõita rasedad, ebakaines olekus, piiratud juhtimisvõimega ja puuetega isikud.
- Tõukerattaga ei tohi sõita ebatavalistes ja tulekahju- või plahvatusohtlikes kohtades.
- Tõukeratta juhtimise ajal telefoniga helistada ei tohi.
- Väldi sõitmist halbade ilmastikuolude, nagu paduvihm, lumi, tugev tuul ja jäätunud, libeda või porisel tee korral.

SÕIDUEELNE JUHEND!

- Käesoleval tõukerattal on esirattasse paigaldatud elektrimootor. Pidada meeles, et vihmaga või märjal pinnal tõukerattaga sõitmine võib põhjustada mootori märgumise ja selle tulemusena rikke. Seda viga garantii ei hõlma.
- Tõukeratta maksimaalne sõiduulatus sõltub paljudest erinevatest teguritest, nagu: kasutaja kaal, pind, millel tõukeratas sõidab, maastiku profiil, sõidustiil ja -režiim, ilmastikutingimused ning rataste õhurõhu sobiv tase.
- Samuti tuleb meeles pidada, et aku jõudlus aja jooksul langeb. See on loomulik protsess ja seda ei tule käsitleda veana.



- Tõukerattal on pumbatavad sisekummita rattad, mis tänu rehvide asjakohasele õhurõhule summutavad sõidu ajal pörutusi.
- Nii optimaalse sõidumugavuse tagamiseks kui ka täislaetud akuga maksimaalse sõiduulatuse saavutamiseks tuleb rehvide rõhku korrapäraselt kontrollida. Tõukerattal on standardsed ventiilid, tänu millele saab rattaid pumbata üldkasutatavate kompressorite abil. Komplektis on ka esiratta pumpamist lihtsustav adapter.
- Madala õhurõhu tasemega rehvidega tõukerattal sõitmine on keelatud, sest see võib lõppeda õnnetusega ja tekitada garantiiga mittehõlmatud rehvikahjustusi.

Rehvide õhurõhu õige vahemik on – 3-3,4 baari.

Kasutusjuhend

Täname meie elektrilise töökeratta BLAUPUNKT ESC808 ostmise eest. Tutvu käesoleva kasutusjuhendiga ja säilita see edaspidiseks kasutuseks. Juhendis sisalduv informatsioon aitab sul tutvuda alltoodud teabega:

- Elektrilise töökeratta kasutamise ja juhtimise põhilused.
- Elektrilise töökerattaga ohutu sõitmine.
- Elektrilise töökeratta ehitus ja hooldamine.



Seade vastab Euroopa Liidu nõuetele:

- Madalpinge elektriseade - Low voltage directive (LVD)
- Elektromagnetiline ühilduvus - Electromagnetic compatibility (EMC)

Toode on andmeplaadil märgistatud CE tähisega



Seadmel paiknev läbitõmmatud korvi sümbol tähendab, et toode on hõlmatud Euroopa direktiivi 2012/19/EU sätetega. Tutvuda kohaliku süsteemi elektriliste ja elektrooniliste jäätmete käitlemist puudutavate nõuetega. Toimida kooskõlas kehtivate eeskirjadega. Käesolevat toodet ei tohi ära visata koos tavaliste olmejäätmetega. Vana toote õige kõrvaldamine väldib potentsiaalseid looduskeskkonnale ja inimestevisele kahju tekitavaid tagajärgi.

Üksikasjalikku teavet lähima vastuvõtupunkti kohta võib saada vahetult müüjalt või ettevõttest Blaupunkt Competence Center, 2N-Everpol Sp. z o.o., tn. Puławska 403A, 02-801 Varssavi, tel +48 22 331 9959 email: emobility@blaupunkt.pl



Seade on varustatud Euroopa direktiiviga 2006/66/WE hõlmatud patareidega. Patareide äraviskamine koos kodumajapidamisjäätmetega on keelatud. Tutvuda patareide eraldiasetsevalt kogumist käsitlevate kohalike eeskirjadega, sest õige utiliseerimine väldib potentsiaalseid looduskeskkonnale ja inimestevisele kahju tekitavaid tagajärgi.

Looduskeskkonna kaitset käsitlev teave

Pakend sisaldab ainult vajalikke elemente. Tehtud on kõik endast olenev, et kolm koostismaterjali oleks hõlpsasti eraldatavad: papp (kast), polüstüreenvaht (seesmine kaitse) ja polüetüleen (kotid, kaitsepoojen). Toode on toodetud materjalidest, mida saab suunata taastootmisesse ja peale nende eriotstarbelise ettevõtte poolt demonteerimist, uuesti kasutada. Järgida pakendmaterjalide, patareide ja kasutatud seadmete utiliseerimist käsitlevaid kohalikke ettekirjutusi.



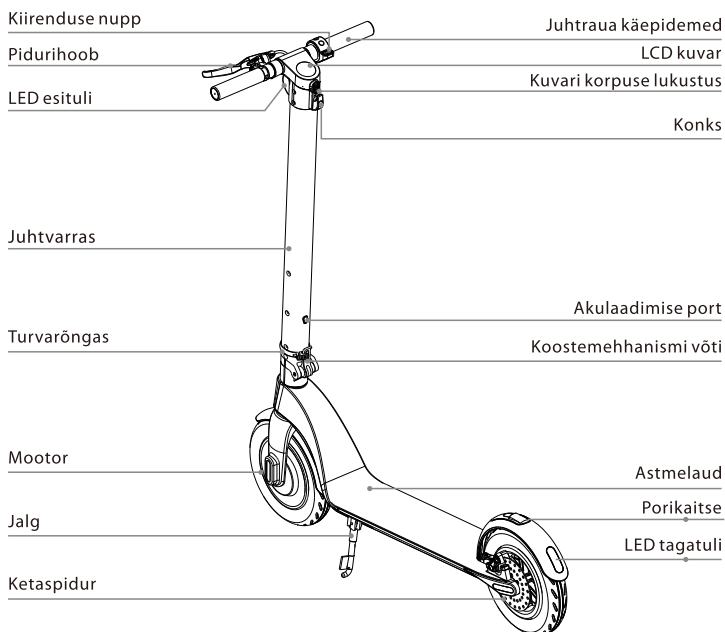
Toode on toodetud kõrgkvaliteetsetest taastootmisesse suunatavatest ja taaskasutatavatest materjalidest ning allüksustest.

Elektrilise tõukeratta peamised eelised:

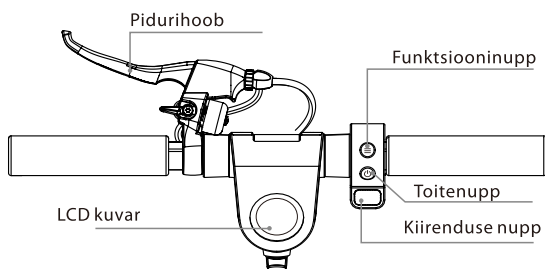
Blaupunkt ESC808 on uuenduslik, kokkupandav elektriline tõukeratas. Kasutaja võib seista tõukeratta astmelaual ja reguleerida kiirust juhtrauale paikneva asjakohase manseti abil.

- Esi- ja tagarattad on sümmeetrilised, esirattavedu tagab suurema sõiduturvalisuse. 8.5" pumbatavad rattad suurendavad sõidumugavust.
- Juhtraual asuva pidurihoovaga käivitatav ketaspidur ja tagumine jalgpidur tagavad lühima pidurdusteeonna ning võivad juhti paremini kaitsta.
- Seadmes kasutatakse liitium-ioon akut, maksimaalne voolutugevus on enam kui 10A, suur võimsus ilma mälu efektita, saastevaba.
- Seadme kogukaal on 13,5kg. Ühe võtmeaga kokkupandav konstruktsioon on kandmise ja hoiustamise mugavuse tagatiseks.

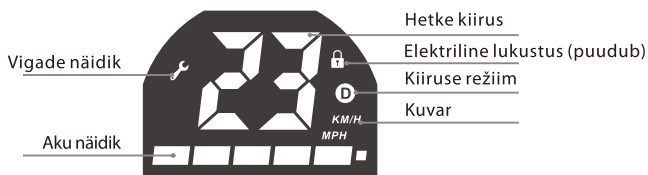
Elektrilise tõukeratta ehitus:



Juhtsüsteem



LCD kuvar



Nuppude/funktsioonide kirjeldus:

1. Toitenupp: toite sisse / väljalülitamiseks vajuta pikalt toitenuppu;
2. Kiirenduse nupp: sõidu alustamiseks ja kiirendamiseks vajuta kiirenduse nuppu;
3. Pidur: pidurdamiseks pigista pidurihooba. Pidurdamise toetamiseks vajuta kergelt tagumisele porikaitsele; (pidurdamise ajal vilgub tagumine LED tuli)
4. Funktsiooninupp: kiiruse režiimi valimiseks vajuta lühidalt funktsiooninuppu:
 - a. Režiim algajatele: ikoon „D” puudub
 - b. Normaalse režiim: ikoon „D” süttib valgelt
 - c. Spordirežiim: ikoon „D” süttib punaselt
5. LED tuled: Esimeste ja tagumiste LED tuled sisselülitamiseks vajuta kaks korda funktsiooninuppu; LED tuled väljalülitamiseks vajuta funktsiooninuppu uuesti kaks korda.
6. Kiirusehoidiku režiim: kiirusehoidiku režiimi sisselülitamiseks hoia hetkekiirust umbes 6 sekundit; kiirusehoidiku režiimi väljalülitamiseks vajuta kiirenduse nuppu või pigista pidurihooba

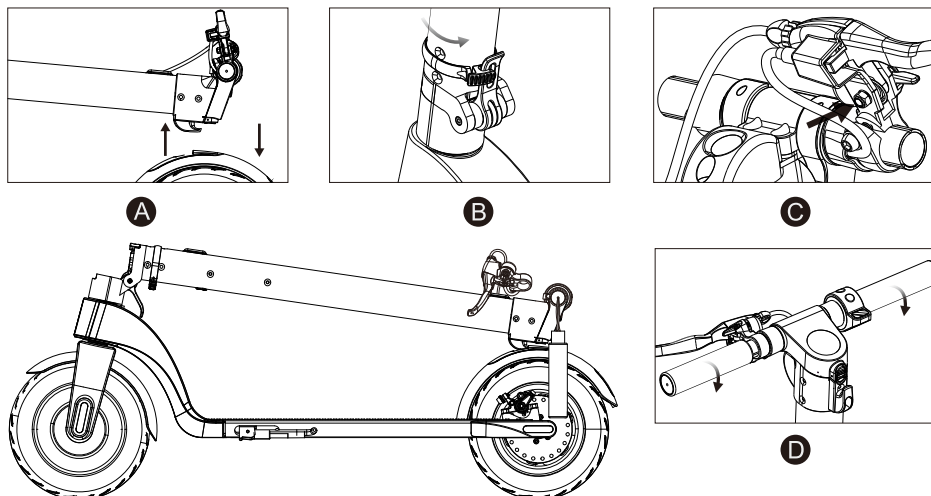
Lahtipakkimine

Peale papp-pakendist lahtipakkimist võta tõukeratas välja ja veendu, et kõik osad on kompleksed. Millegi puudumisel võta ühendust müüjaga. Kontrollida seadme seisukorda ja välimust, kas koostesüsteem on asjakohaselt stabiilne, kas astmelaul pole mörasid. Kontrolli samuti, kas kuvari ekraan on kahjustusteta.

Paigaldamine

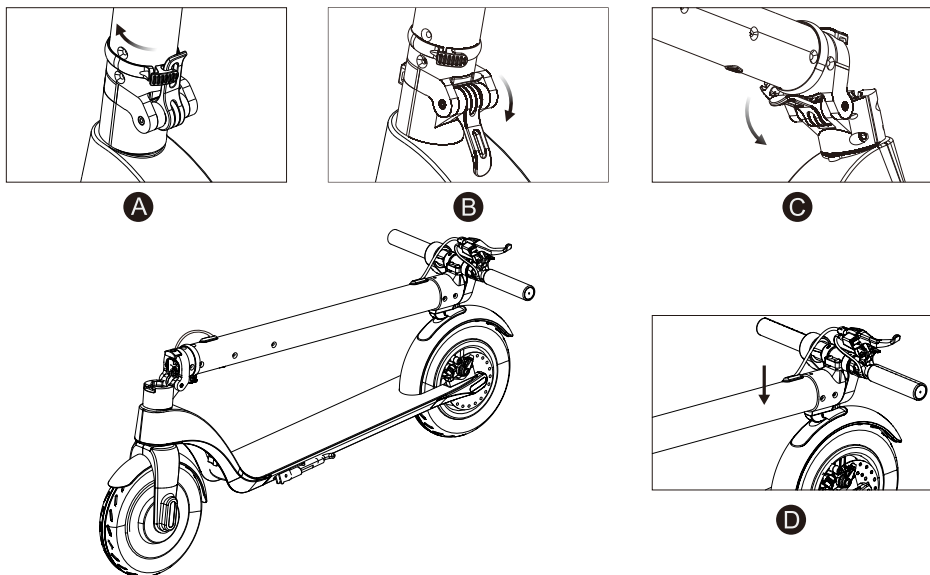
Peale kõikide osade lahtipakkimist ja kontrollimist võib asuda tõukeratta koostamisele. Järgi alltoodud piltjuhiseid:

1. Lahtivõtmine



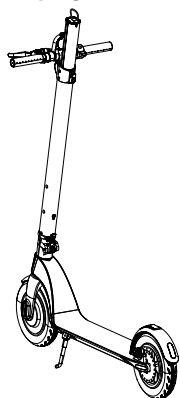
- A. Vajuta lukustuse vabastamiseks tagumist porikaitset ja tõsta roolivarras vertikaalsesse asendisse;
- B. Lukusta koostemehhanism võtme maksimaalselt ülespoole tõstmise läbi, keerates turvarõngast maksimaalselt paremale turva võti iseseisva vabanemise vastu.
- C. Kinnita kuuskantvõtme M6 abiga piduri korpus
- D. Keera külge juhtraua käepidemed (pööra tähelepanu keeramise suunale)

2. Koostamine

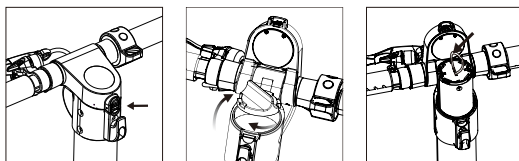


- A. Keera võtit turva rõngas maksimaalselt vasakule;
- B. Suru koostemehhanismi võti maksimaalselt alla;
- C. Pane juhtvarras, seda ettevaatlikult allapoole tõmmates, kokku;
- D. Lähenda juhtvardale kinnitatud konks tagumises poritiivas olevale avale ja vajuta lukustamiseks kinni;

3. Aku paigaldamine / mahavõtmine



Paigaldamine

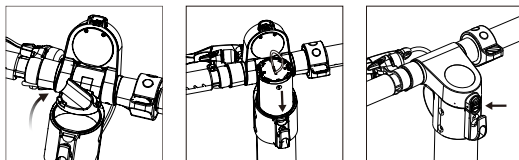


A

B

C

Mahavõtmine



A

B

C

Aku paigaldamine:

- A. Vajuta konksu kohal paiknevale kuvari korpuse lukustuse nupule ja tõsta korpus üles;
- B. Keera aku kate vasakule ja võta see välja;
- C. Sisesta aku juhtvardal olevasse avausse ja keera kate, seda paremale keerates, kinni;

Aku mahavõtmine

- A. Vajutades konksu kohal olevale nupule ava kuvari korpus ja keera aku kate lahti
- B. Tõmba akut värvilisest paelast ja võta see välja;
- C. Keera aku kate kinni ja lase kuvari korpus alla;

TÄHELEPANU!

Peale aku välja võtmist esineb sellega kaasasoleva toiteploki abil laadimise võimalus.



Tõukeratta kandmise, puhastamise või hooldamise ajal akut laadida ei tohi.

Ohutu sõidu juhend

Antud jagu on väga oluline, loe see hoolikalt läbi ja järgi kõiki ohutusreegleid ning -protseduure. Meie ettevõtte ei kannu vastutust ükskõik milliste varalisi kahjusid või tervise kaotust puudutavate õnnetusjuhtumiste eest, mis on põhjustatud käesoleva juhendi juhiste eiramisest. Elektriline tõukeratas on nii meelelahutus- aga ka transpordivahend. Sõidu ajal asjakohaste ohutusnõuete järgimine võib Sind ja teisi õnnetuste eest kaitsta. Tuleb meeles pidada, et linnaliikluses ja üldkasutatavatel teedel tõukeratta kasutamine on seotud teiste liiklejate poolt põhjustatud liiklusõnnetuste ohuga isegi siis kui järgid kõiki ohutuseeskirju. Väga oluline on hoida muude liiklejate ja sõidukite suhtes asjakohast pikivahet.

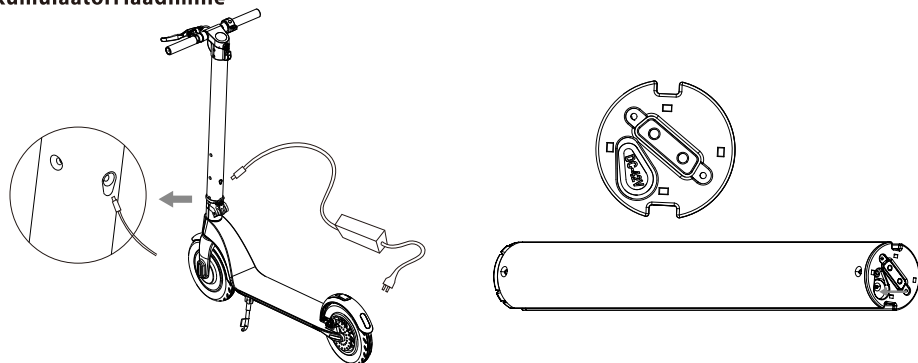
Tõukerattaga sõitmine

- Tõukerattaga sõitmisel tuleb järgida kohalikke liikluseeskirju. Kokkupõrgete vältimiseks tuleb tõukerattaga sõita läbikaalutult ja rahulikult, teisi inimesi ning esemeid jälgides.
- Sõida tõukerattaga turvaliselt, hoides kontrollitud kiirust ja teiste jalakäijate ning sõidukitega pikivahet säilitades. Ole igal hetkel pidurdamiseks valmis. Väldi äkilisi kiirendusi ja äkkpidurdamist.
- Könniteel sõites austa jalakäijate õigusi, anna neile teed ületades eelisõigus, ära ehmata neid ja eelkõige lapsi.
- Tiheda liiklusega kohtades tuleb tõukeratta sõidukiirus kohandada teiste liiklejatega. Enne jalakäijate rühmast möödumist veendu, et sul on selleks piisavalt ruumi ja soorita manöövri ohutult. Inimsummas suure kiirusega sõitmine on väga ohtlik.
- Tõukerast ei tohi parkida jalakäijate liiklemist raskendavasse kohta.
- Tõukerattaga sõitmise ajal tuleb olla lõdvestatud, kergelt kõverdatud põlvede ja püstise peaga.



Suurel kiirusel äkilise kiirendamise või pidurdamise korral võib sõitja väga kergesti tasakaalu kaotada ja sellega seoses õnnetusse sattuda. Püüa selliseid olukordi vältida.

Akumulaatori laadimine



- Veenduda, et elektrikontakt on kuiv.
- Kui laetakse tõukerattale paigaldatud akut, tuleb avada juhtvardal, kohe koostemehhanismi kohal paikneva aku laadimise pesa kate. Kui laetakse mahavõetud akut, tuleb avada selle alaosas paikneva laadimise pesa kate.
- Ühenda toiteploki pistik toiteallikaga, veendu, et laadija roheline tuli põleb normaalselt, sisesta toiteploki teine pistik tõukeratta aku pesa.
- Kui toiteploki põleb punane kontroll-lambike, annab see märku aku õigest laadimisest, vastasel juhul kontrolli kõik juhtmeühendused üle.
- Kui punane kontroll-lambike hakkab põlema roheliselt, annab see märku aku täislaadimisest. Ühenda toiteplokk toiteallikast lahti. Ülemäärane laadimine võib aku eluiga lühendada.
- Järgi aku laadimist puudutavaid juhiseid, vastasel juhul põhjustab see aku kahjustusi ja lühendab selle eluiga.
- Tõukeratta aku laadimise aeg on umbes 2 tundi. Seoses aku kulumisega ei saa tootja samasugust laadimise aega ja toimimist tagada.
- Aku laadimise ajal tuleb tagada puhtad ja kuivad tingimused
- Ära lae akut kui toitepesa on märg.

Esimene sõit

Ettevalmistamine

- Vali õige koht. Selline koht võib olla sees või väljas, pinnaga 10 x 10 meetrit (umbes 100 ruutmeetrit). Koht peab olema tasane, mitte märg ega libe, takistusteta, sõidukiteta, lasteta, koduloomadeta või muude tähelepanu kõrvalejuhtivate esemetega.
- Tutvu hoolikalt käesoleva juhendiga, võimaluse korral kasuta ohutu sõidu valdkonnas enam kogunud isiku nõuandeid.
- Võimalike vigastuste vältimiseks kannu kiivrit ja kaitsevahendeid. Töö tõukeratas ala, kus sellega sõitma hakkad, keskele ja tutvu ümbruskonnaga.

Käivitamine

- Tõukeratta sisselülitamiseks vajuta ja hoia nuppu POWER all 2 sekundit; Seejärel vali üks kolmest kiiruse režiimist.
- Aseta üks jalg astmelauale, teise jalaga tõuka tõukeratas liikuma;
- Aseta teine jalg astmelauale ja püüa säilitada tasakaalu;
- Vajuta parema käe pöidlaga kiirenduse nuppu, ära sõida liiga kiiresti;
- Pidurdamiseks pigista vasaku käega pidurihooba, pidurdamise toetamiseks vajuta kergelt tagumist poritiiba;
- Astmelaualt võib maha astuda siis, kui tõukeratas liigub aeglaselt või on täielikult peatunud;
- Teiste liiklejate hoiatamiseks kasuta kohas, kus sa liikled, piduri käepideme juurde paigaldatud kella

Puhastamine ja hoiustamine

- Puhasta tõukeratast peale igat sõitu.
- Kui kummist pindadel on raskestieemaldatav mustus, kasuta hambaharja ja -pastat ning pühi need kohad üle pehme lapiga. Sel viisil võid kõrvaldada ka kerged kriimustused.
- Hoiu tõukeratast suletud ruumides, jahedates ja kuivades kohtades. Ära jäta tõukeratast päikesekiirguse vahetu toime mõjuvaldkonda.



Puhastamise ajal peab akulaadimise pesa olema tihedalt suletud, vastasel korral võid saada elektrilöögi ja tõukeratast tõsiselt kahjustada. Tõukeratast ei tohi pesta kõrgsurvega veejoaga – see võib tekitada seadmele pöördumatuid kahjustusi.

Aku hooldamine

Aku on hooldamise seisukohalt olulisimaks osaks. Selle eluea pikendamiseks järgi alljärgnevat juhiseid:

- Loe läbi ja järgi patarei märgistusi puudutavad märkused.
- Aku parim säilitustemperatuur on 0 kraadi. Akut ei tohi hoida temperatuuril, mis on madalam kui -10 või kõrgem kui 35 kraadi.
- Kui keskkonna temperatuur on madalam kui 0 kraadi, ära akut lae vaid too see kohta, kus temperatuur on kõrgem kui 10 kraadi, oota natuke ja alles siis hakka akut laadima.
- Hoiu akut suletud ruumides, jahedates ja kuivas kohtas. Väga niisked kohad võivad põhjustada akus veeauru kondenseerumist, mis võib akut kiiresti kahjustada.
- Kui kuvaril kuvatakse aku madal laetuse tase, tuleb see laadimiseks ühendada. Püüa vältida aku täielikku tühjaks laadimist. Enne sõidu alustamist palun aku laadida täielikult. Sage laadimine akut ei kahjusta. Pigem vastupidi, aku kauaaegne laadimata jätmine võib selle eluiga lühendada.

Funktsioonid ja spetsifikatsioonid

- Mootor: 350W
- Aku: 36 V 5.0 Ah
- Väljavahetatav aku
- Maksimaalne kiirus: 25 km / h (kiiruse 3 astmeline reguleerimine)
- Ulatus: kuni 20 km (sõltuvalt koormusest ja sõidupinna liigist)
- Maksimaalne koormus: 120 kg
- Sõidu kaldenurk: 15-20 kraadi
- Kiirusehoidiku funktsioon
- Tagumine pidur – ketas, tugipidur (jalg)
- 8,5" pumbatavad rattad
- Esimesed ja tagumised LED tuled
- LCD kuvar näitab kiirust ja aku laetuse taset
- Hoiatuskell
- Hõlbus koostamise mehhanism
- Laadimisvool: 42 V 2 A
- Laadimise aeg: 2 tundi
- Mõõtmed: 1056x420x450/1186 mm (kokkupandud/lahtivõetud)
- Netokaal: 13,5 kg

Toiteploki tehnilised andmed:

Sisendpinge: 110-240 V~50/60 Hz
 Toite maks sisendvool: 2.5 A
 Väljundpinge: 42 V
 Toite maks väljundvool: 2.0 A

Drošības noteikumi

- Iepazīstieties un ievērojiet vietējās satiksmes noteikumus.
- Vienmēr valkājiet sertificētu ķiveri un citus elementus, kas aizsargā elkoņus, ceļus un plaukstus.
- Pārbaudiet akumulatora uzlādes stāvokli pēc elektriskā skrejriteņa ieslēgšanas. Ja akumulatora uzlādes stāvoklis ir mazāks par 25%, nedodieties ilgākā braucienā.
- Pārbaudiet elektriskā skrejriteņa ārējo izskatu un tehnisko stāvokli. Pievērsiet īpašu uzmanību tam, vai kādi no elementiem nav vaļīgi, vai ierīce nerada nekādas traucējošas skaņas.
- Lietotājam ir jābūt veselam, labi izgulējušam, nedzērušam un pirms braukšanas nevajadzētu lietot nekādus nomierinošus un psihotropus medikamentus.
- Atcerieties, ka, braukšanas laikā jūs esat garāks, tāpēc uzmanieties, braucot caur durvīm, uzmanieties no zīmēm, zariem un citiem šķēršļiem virs galvas, lai aizsargātu galvu no traumām.
- Šo ierīci var lietot bērni vecumā no vismaz 12 gadiem un personas ar ierobežotām fiziskām un garīgām spējām, kā arī personas, kam nav pieredzes un zināšanu par ierīci, ja ir nodrošināta uzraudzība vai norādījumi par ierīces lietošanu drošā veidā, lai ar to saistītie riski būtu skaidri saprotami. Bērniem nedrīkst spēlēt ar ierīci. Bērniem bez uzraudzības nevajadzētu veikt ierīces tīrīšanu un apkopi.
- Izmantojiet tikai ierīces oriģinālos vai ražotāja ieteiktos piederumus. Piederumu izmantošana, kurus ražotājs nav ieteicis, var izraisīt ierīces bojājumus un tas var apdraudēt lietošanas drošību.
- Barošanas bloku drīkst pievienot tikai kontaktligzdai ar raksturlielumiem atbilstoši datu plāksnītē norādītajām vērtībām.
- Ja barošanas bloka vads vai kontaktdakša ir bojāta vai kontaktdakša ir vaļīga elektrotīkla kontaktligzdā, nelādējiet ierīci un nebarojiet to no tīkla.
- Kad barošanas bloks netiek lietots, atvienojiet to no elektrības kontaktligzdas.
- Nekad negremdējiet barošanas bloku ūdenī vai citos šķidrumos.
- Nepievienojiet un neatvienojiet barošanas bloku no strāvas avota ar mitrām rokām.

Stingri aizliegts

- Nedrīkst braukt ar elektrisko skrejriteni vietās, kur aizliedz vietējie vai valsts tiesību akti.
- Aizliegts pārvietoties uz nogāzēm, kuru slīpuma leņķis pārsniedz 17 grādus, nebrauciet pa peļķēm vai ūdenskrātuvēm, kuru dziļums pārsniedz 5 cm.
- Nedrīkst braukt ar elektrisko skrejriteni pa kāpnēm.
- Nedrīkst braukt pa ceļiem, kas paredzēti automašīnām, ceļmalām, kā arī ceļiem, uz kuriem ir pārvietošanās aizliegums.
- Aizliegts pārvietoties ar skrejriteni, vairākiem cilvēkiem vienlaikus atrodoties uz tā, kā arī pārvadāt bērnus, pat ja ir attiecīgs pārnēsājams.
- Aizliegts pārvietoties uz elektriskā skrejriteņa, neturot stūri.
- Bērniem līdz 12 gadu vecumam un cilvēkiem, kas vecāki par 60 gadiem, ir aizliegts patstāvīgi pārvietoties ar elektrisko skrejriteni. Braukšanas laikā šādiem cilvēkiem jābūt citu ģimenes locekļu vai aizbildņu uzraudzībā. Aizliegts braukt ar elektrisko skrejriteni grūtniecēm, iereibušām un ar garīgiem traucējumiem personām, kā arī personām ar invaliditāti ar ierobežotu spēju vadīt transportlīdzekļus.
- Nedrīkst braukt ar elektrisko skrejriteni bīstamās vietās un vietās, kur pastāv ugunsgrēka vai sprādziena risks.
- Nedrīkst veikt telefona zvanus, braucot ar elektrisko skrejriteni.
- Izvairieties no braukšanas sliktos laika apstākļos, piemēram, spēcīga lietus, sniega, spēcīga vēja laikā, kā arī uz ledaina, slidena vai dubļaina ceļa.

PIEZĪMES PIRMS DRIVE!

- Šim motorollerim ir elektromotors, kas uzstādīts priekšējā riteņā. Lūdzu, ņemiet vērā, ka motorollera lietošana lietus vai mitrās virsmās var pārpludināt motoru un sabojāt to. Šī kļūda neattiecas uz garantiju.
- Maksimālais motorollera diapazons ir atkarīgs no daudziem dažādiem faktoriem, piemēram: lietotāja svars, virsma, uz kuras pārvietojas motorolleris, reljefs, stils un braukšanas režīms, laika apstākļi un pareizais gaisa spiediena līmenis riteņos.
- Ņemiet vērā arī to, ka akumulatora darbības laiks ir samazinājies. Tas ir dabisks process un to nedrīkst uzskatīt par darbības traucējumu.



- Šim motorollerim ir piepūšamie bezkameru riteņi, lai absorbētu vibrācijas braukšanas laikā, bet jums ir jānodrošina pareizais gaisa spiediens riteņos
- Regulāri pārbaudiet riepu spiedienu, lai nodrošinātu optimālu braukšanas komfortu, kā arī labāko iespējamo diapazonu uz pilnībā uzlādētu akumulatoru. Motorolleram ir standarta vārsti, kas ļauj sūknēt riteņus, izmantojot sabiedriskos kompresorus. Ir iekļauts īpašs adapteris, kas palīdz sūknēt priekšējo riteņi.
- Braukšana ar motorolleru ar zemu riepu spiedienu ir aizliegta, jo tā var izraisīt negadījumu un izraisīt pastāvīgus riepu bojājumus. Lūdzu, ņemiet vērā, ka šī kļūda neattiecas uz garantiju.

Pareizais riepu spiediena diapazons ir - 3 - 3,4 bāri.

Lietošanas pamācība

Paldies, ka iegādājāties mūsu elektrisko skrejriteni BLAUPUNKT ESC808. Iepazīstieties ar šo lietošanas pamācību un saglabājiet to vēlākai izmantošanai. Instrukcijā sniegtā informācija palīdzēs jums iepazīties ar sekojošiem jautājumiem:

- Pamata apkope un apmācības, kā braukt ar elektrisko skrejriteni.
- Drošība braukšanas laikā ar elektrisko skrejriteni.
- Elektriskā skrejriteņa uzbūve un uzturēšana.



Ierīce atbilst Eiropas Savienības direktīvu prasībām:

- Zemsprieguma elektroiekārtas - Low voltage directive (LVD)
- Elektromagnētiskā saderība - Electromagnetic compatibility (EMC)

CE marķējums ir uzlikts uz produkta datu plāksnītes



Ja uz ierīces atrodas pārsvītrotā atkritumu konteinera simbols, tas nozīmē, ka uz produktu attiecas Eiropas Direktīvas 2012/19 /ES prasībām. Iepazīstieties ar vietējās elektrisko un elektronisko atkritumu savākšanas sistēmas prasībām. Rīkojieties saskaņā ar vietējo normatīvo aktu prasībām. Šo produktu nedrīkst izmest kopā ar sadzīves atkritumiem. Vecu produktu atbilstoša utilizācija palīdzēs novērst kaitīgu ietekmi uz cilvēka veselību un vidi.

Sīkāku informāciju par vistuvāko savākšanas punktu var iegūt tieši no pārdevēja vai uzņēmumā.

Blaupunkt Competence Center, 2N-Everpol Sp. z o.o., iela Puławska 403A, 02-801 Varšava, Polija, tāl.

+48 22 331 9959, e-pasts: emobility@blaupunkt.pl



Ierīce ir aprīkota ar bateriju, uz kuru attiecas Eiropas Direktīva 2006/66/EK. Bateriju nedrīkst izmest kopā ar sadzīves atkritumiem. Iepazīstieties ar vietējām prasībām par atsevišķu bateriju savākšanu, jo atbilstoša utilizācija palīdzēs novērst kaitīgu ietekmi uz cilvēka veselību un vidi.

Informācija par vides aizsardzību

Iepakojumā ir iekļauti tikai nepieciešamie elementi. Tika pieliktas visas pūles, lai trīs iepakojuma sastāvdaļas būtu viegli atdalāmas: kartons (kaste), polistirola putas (aizsardzība iekšpusē) un polietilēns (maisiņi, aizsargplēve). Ierīce ir izgatavota no materiāliem, kurus pēc to demontāžas var pārstrādāt un atkārtoti izmantot specializēts uzņēmums. Ievērojiet vietējās prasības par iepakojuma materiālu, lietoto bateriju un nevajadzīgu ierīču utilizāciju.



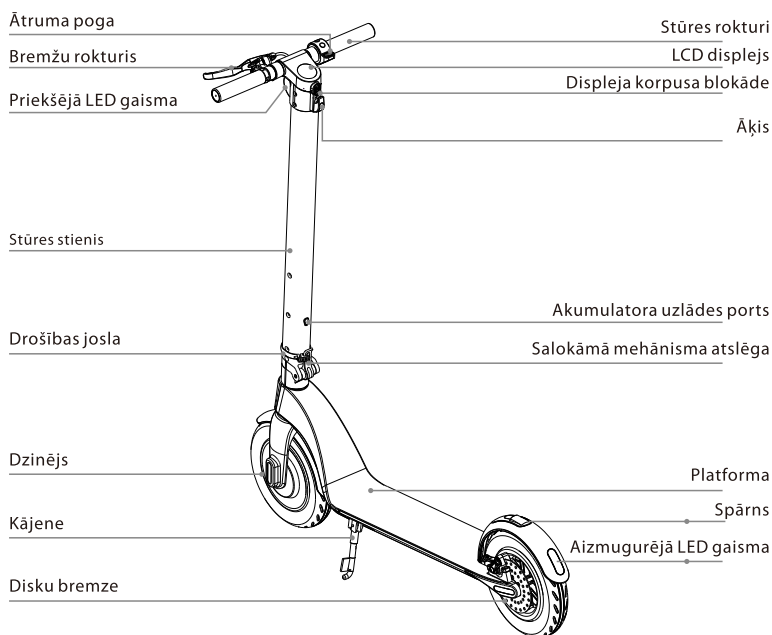
Produkts tika izgatavots no augstas kvalitātes materiāliem un komponentiem, kurus var pārstrādāt un atkārtoti izmantot.

Elektriskā skrejriteņa galvenās īpašības:

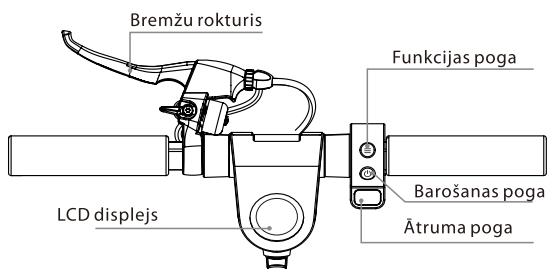
Blaupunkt ESC808 ir novatorisks, salokāms elektriskais skrejriteņis. Lietotājs var stāvēt uz skrejriteņa platformas un regulēt ātrumu, izmantojot atbilstošu sviru uz stūres.

- Priekšējie un aizmugurējie riteņi ir simetriski, priekšējā riteņa piedziņa nodrošina lielāku kustības drošību. 8.5" pumpējami riteņi palielina braukšanas komfortu.
- Disku bremze, kas tiek aktivizēta ar rokturi uz stūres, un aizmugurējā kājas bremze nodrošina visīsāko bremzēšanas ceļu un var labāk aizsargāt vadītāju.
- Ierīcē tika izmantots litija jonu akumulators, maksimālā izlādes strāva ir lielāka par 10A, liela jauda bez uzlādes atmiņas efekta, nav piesārņojumu.
- Kopējais ierīces svars ir 13,5 kg. Salokāma konstrukcija ar vienu atslēgu ir pārnēsāšanas un uzglabāšanas komforta garantija.

Elektriskā skrejriteņa uzbūve:

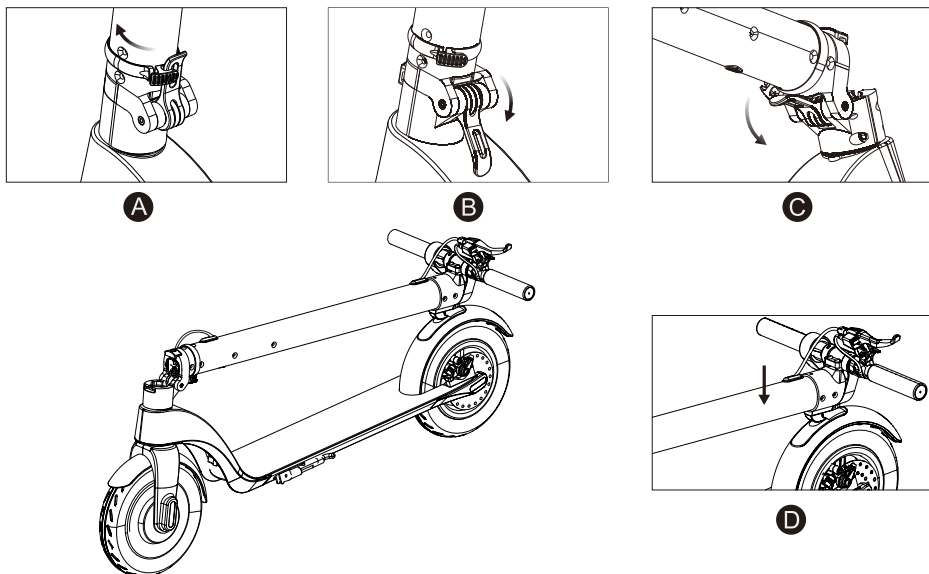


Vadības sistēmas uzbūve



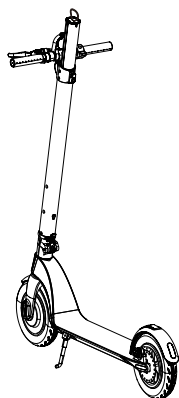
- A. Nospiediet aizmugurējo spārnu, lai atbrīvot blokādi un pacelt stūres stieni vertikālā stāvoklī;
- B. Aizbloķējiet salokāmo mehānismu, paceļot atslēgu maksimāli uz augšu, nodrošiniet atslēgu pret automātisko atbloķēšanos, pagriežot drošības joslu maksimāli pa labi.
- C. Uzstādiat bremžu korpusu, izmantojot seškanšu atslēgu M6.
- D. Pievelciet stūres rokturus (pievērsiet uzmanību pievilkšanas virzienam)

2. Salikšana

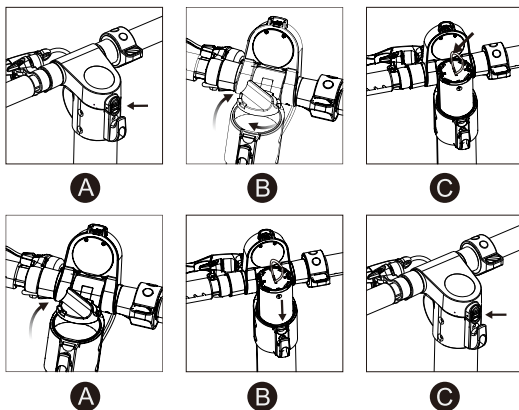


- A. Pagriežiet joslu, kas nodrošina atslēgu, pa kreisi;
- B. Nospiediet salokāmā mehānisma atslēgu maksimāli uz leju;
- C. Uzmanīgi salieciet stūres stieni, pavelkot to uz leju;
- D. Pietuviniet āķi, kas uzstādīts uz stūres stieņa, atverei aizmugurējā spārnā un piespiediet, lai aizbloķētu;

3. Akumulatora montāža / demontāža



Montāža



Demontāža

Akumulatora montāža:

- Nospiediet displeja korpusa blokēšanas pogu, kas atrodas virs āķa, un paceliet korpusu uz augšu;
- Pagrieziet akumulatora vāciņu pa kreisi un noņemiet to;
- Ielieciet akumulatoru stūres stieņa atverē un aizskrūvējiet vāciņu, pagriežot to pa labi;

Akumulatora demontāža

- Atveriet displeja korpusu, nospiežot pogu virs āķa, un noskrūvējiet akumulatora vāciņu
- Pavelciet akumulatoru aiz krāsainās auklas un izņemiet to;
- Aizskrūvējiet akumulatora vāciņu un nolaidiet displeja korpusu;

UZMANĪBU!

Pēc akumulatora izņemšanas ir iespējams to uzlādēt, izmantojot komplektā iekļauto barošanas bloku.



Nedrīkst lādēt akumulatoru, pārvietojot, salokot, tīrot vai apkopot elektrisko skrejriteni.

Drošas braukšanas ceļvedis

Šis nodaļas saturs ir ļoti svarīgs, uzmanīgi to izlasiet un ievērojiet visus drošības noteikumus un procedūras. Mūsu uzņēmums nav atbildīgs par jebkādiem nelaimes gadījumiem, kas izraisa īpašuma zudumu vai veselības zaudēšanu, šī droša braukšanas ceļveža neievērošanas gadījumā. Elektriskais skrejritenis ir izklaides līdzeklis, kā arī transporta līdzeklis. Attiecīgu drošības noteikumu ievērošana braukšanas laikā var aizsargāt jūs un citus no negadījuma. Atcerieties, ka skrejriteņa izmantošana teritorijā un pa koplietošanas ceļiem ir saistīta ar sadursmes risku, kuru var radīt citi satiksmes dalībnieki, pat ja jūs ievērosiet visus drošības noteikumus. Ir ļoti svarīgi saglabāt atbilstošu attālumu no citiem satiksmes dalībniekiem un citiem transportlīdzekļiem.

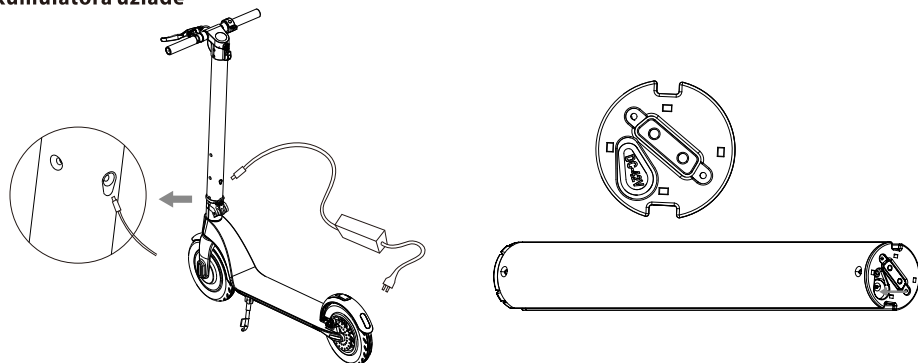
Pārvietošanās uz skrejriteņa

- Braucot ar skrejriteni, ievērojiet vietējos satiksmes noteikumus. Brauciet ar skrejriteni saprātīgi un mierīgi, pievēršot uzmanību citiem cilvēkiem un priekšmetiem, lai izvairītos no sadursmēm.
- Pārvietojieties drošā veidā uz skrejriteņa, vienlaikus saglabājot kontrolētu ātrumu un atbilstošu attālumu no gājējiem un citiem transportlīdzekļiem. Esiet gatavs apstāties jebkurā brīdī. Izvairieties no strauja paātrinājuma un pēkšņas bremzēšanas.
- Pārvietojoties uz trotuāra, ievērojiet gājēju tiesības, dodiet viņiem ceļu uz gājēju pārejas, nebedējiet garāmgājējus, īpaši bērņus.
- Pārpildītās vietās pielāgojiet skrejriteņa pārvietošanās ātrumu pārējiem satiksmes dalībniekiem. Ja vēlaties apsteigt gājēju grupu, pārlicinieties, ka jums ir pietiekami daudz vietas un varat droši izpildīt šo manevru. Pārvietošanās pūli ar lielu ātrumu ir ļoti bīstama.
- Nenovietojiet skrejriteni vietā, kas apgrūtinās pārvietošanos gājējiem.
- Pārvietojoties ar skrejriteni, ir jābūt atslābinātam, ceļiem ir jābūt nedaudz saliektiem un galvai jābūt paceltai.



Strauja paātrinājuma vai pēkšņas bremzēšanas gadījumā, braucot ar lielu ātrumu, vadītājs var viegli zaudēt līdzsvaru un galu galā izraisīt nelaimes gadījumu. Centieties izvairīties no šādām situācijām.

Akumulatora uzlāde



- Pārliecinieties, vai elektrības kontaktligzda ir sausa.
- Kad uzlāde tiek veikta uz skrejriteņa uzstādītā akumulatora, atveriet akumulatora uzlādes ligzdas vāku, kas atrodas uz stūres stieņa, tieši virs skrejriteņa salokāmā mehānisma. Kad uzlāde notiek uz demontēta akumulatora, atveriet uzlādes ligzdas vāku, kas atrodas akumulatora apakšā.
- Pievienojiet kontaktdakšu strāvas avotam, pārbaudiet, vai lādētāja zaļais indikators deg normāli, ievietojiet otru adaptera kontaktdakšu skrejriteņa akumulatora uzlādes ligzdā.
- Kad deg sarkanā indikatora lampiņa barošanas blokā, tas nozīmē, ka akumulators uzlādējas pareizi, pretējā gadījumā pārbaudiet visus vadu savienojumus.
- Kad sarkanais indikators iedegsies zaļā krāsā, tas nozīmē, ka akumulators ir pilnībā uzlādēts. Atvienojiet barošanas bloku no strāvas avota. Ilgstoša uzlāde var saīsināt akumulatora darbības laiku.
- Ievērojiet akumulatora uzlādes norādījumus, pretējā gadījumā tas izraisīs akumulatora bojājumus un saīsinās tā darbības laiku.
- Skrejriteņa akumulatora uzlādes laiks ir aptuveni 2 stundas. Ražotājs nevar garantēt tādu pašu akumulatora uzlādes un darbības laiku tā nodiluma dēļ.
- Akumulatora uzlādes laikā nodrošiniet tīrus un sausus apstākļus.
- Nelādējiet akumulatoru, kad strāvas kontaktligzda ir mitra.

Pirmā braukšana

Sagatavošana

- Izvēlieties attiecīgu vietu. Šī vieta var būt iekšpusē vai ārpusē, tās virsmai ir jābūt 10 x 10 metri (apmēram 100 kvadrātmetri). Vietai ir jābūt plakanaī, ne slapjai un ne slidenai, bez šķēršļiem, bez transportlīdzekļiem, bērniem, mājdzīvniekiem vai citiem priekšmetiem, kas varētu novērst jūsu uzmanību.
- Rūpīgi iepazīstieties ar šo pamācību, ja jums ir tāda iespēja, izmantojiet pieredzējušākas personas padomus drošas braukšanas jomā.
- Lai izvairītos no iespējamām ievainojumiem, valkājiet ķiveri un aizsargus. Pārvietojiet skrejriteņi uz vietas vidū, kur jūs pārvietosities, un iepazīstieties ar apkārtni.

Iedarbināšana

- Lai iedarbinātu skrejriteņi, nospiediet un paturiet pogu POWER 2 sekundes; Sekojoši izvēlieties vienu no trim ātruma režīmiem.
- Novietojiet vienu kāju uz platformas, ar otru kāju atspērieties, liekot skrejriteņim kustēties;
- Novietojiet otru kāju uz platformas un mēģiniet saglabāt līdzsvaru;
- Ar labās rokas īkšķi nospiediet ātruma pogu, nebrauciet pārāk ātri;
- Nospiediet bremžu rokturi ar kreiso roku, lai bremzētu, uzmanīgi nospiediet aizmugurējo spārnu, lai palīdzētu bremzēt;
- Kad skrejriteņi pārvietojas ar nelielu ātrumu vai pilnībā apstājas, varat nokāpt no platformas;
- Lai brīdinātu citus dalībniekus vietā, kur pārvietojaties, izmantojiet pie bremžu roktura uzstādīto zvanu;

Tīrīšana un uzglabāšana

- Iztīriet skrejriteni pēc katras braukšanas.
- Ja uz gumijas virsmām ir grūti notīrāmi netīrumi, izmantojiet zobu birsti un zobu pastu, pēc tam notīriet šīs vietas ar mikstu drānu. Šī metode var arī noņemt nelielus skrāpējumus.
- Uzglabājiet skrejriteni slēgtās telpās, vēsās un sausās vietās. Nepakļaujiet skrejriteni ilgstošai saules staru iedarbībai.



Tīrīšanas laikā akumulatora uzlādes ligzdai jābūt cieši noslēgtai, pretējā gadījumā varat gūt elektrotraumu un nopietni bojāt skrejriteni. Skrejriteni nedrīkst mazgāt zem augsta spiediena ūdens strūkļas un gremdēt to ūdenī – tas var izraisīt neatgriezeniskus ierīces bojājumus.

Akumulatora apkope

Akumulators ir vissvarīgākā detaļa, kas jāuztur. Lai pagarinātu tā kalpošanas laiku, lūdzu, ievērojiet zemāk norādītās instrukcijas:

- Izlasiet un ievērojiet akumulatora marķējuma piezīmes.
- Vislabākā akumulatora uzglabāšanas temperatūra ir 0 grādi. Neuzglabājiet akumulatoru temperatūrā, kas zemāka par -10 grādiem vai virs 35 grādiem.
- Ja apkārtējā temperatūra ir zemāka par 0 grādiem, nelādējiet akumulatoru, pārvietojiet akumulatoru uz vietu, kur temperatūra ir augstāka par 10 grādiem, pagaidiet brīdi un sāciet uzlādēt to.
- Uzglabājiet akumulatoru telpā, vēsā un sausā vietā. Ļoti mitra vieta var izraisīt tvaika kondensāciju akumulatora iekšpusē, kas var ātri sabojāt akumulatoru.
- Kad displejā tiek uzrādīts zems akumulatora uzlādes stāvoklis, pievienojiet to uzlādei. Centieties nepieļaut akumulatora pilnīgu izlādi. Pirms braukšanas, lūdzu, uzlādējiet akumulatoru pilnībā. Bieža uzlāde nesabojās akumulatoru. Gluži pretēji, ilgstoša uzlādēta akumulatora uzglabāšana var saīsināt tā kalpošanas laiku.

Funkcijas un specifiskācija

- Dzinējs: 350 W
- Akumulators: 36 V 5.0 Ah
- Maināms akumulators
- Maksimālais ātrums: 25 km/h (3 līmeņu ātruma regulēšana)
- Diapazons: līdz 20 km (atkarībā no slodzes un virsmas veida)
- Maksimālā slodze: 120 kg
- Uzbrauktuves slīpums: 15-20 grādi
- Kruīza kontroles funkcija
- Aizmugurējās bremzes – disks, palīgbremzes (kājas)
- 8,5" pumpējamie riteņi
- Priekšējā un aizmugurējā LED gaisma
- LCD displejs uzrāda ātrumu un akumulatora uzlādes stāvokli
- Brīdinājuma zvans
- Vienkāršs salikšanas mehānisms
- Lādēšanas strāva: 42 V 2 A
- Uzlādes laiks: 2 stundas
- Izmēri: 1056x420x450/1186 mm (salikts/izvietots)
- Neto svars: 13,5 kg

Barošanas bloka tehniskie dati:

Ieejas spriegums: 110-240 V~50/60 Hz
 Maksimālā ieejas intensitāte: 2.5 A
 Izejas spriegums: 42 V
 Maksimālā izejas intensitāte: 2.0 A



Competence Center

2N-Everpol Sp. z o.o.
ul. Puławska 403A
02-801 Warsaw, Poland
phone: +48 22 331 99 59
e-mail: info@everpol.pl
www.blaupunkt.com

W przypadku pytań lub problemów
prosimy o kontakt z naszym serwisem.
In case of questions or problems
please contact our service.
Tel. 00 48 22 331 99 54
E-mail: emobility@blaupunkt.pl

Wszelkie prawa zastrzeżone. Wszystkie nazwy marek są zarejestrowanymi
znakami towarowymi należącymi do odpowiednich podmiotów.
Dane i parametry techniczne mogą ulec zmianie bez wcześniejszego uprzedzenia.

All rights reserved. All brand names are registered trademarks of their
respective owners. Specifications are subject to change without prior notice.

Enjoy it.