


Item no. 640-92



Item no. 640-93



www.sandberg.it

5

YEARS
WARRANTY







Warranty

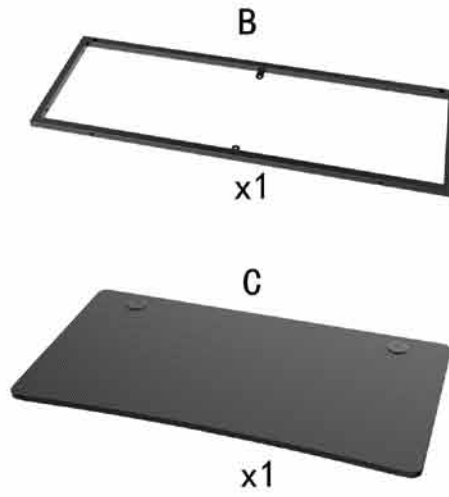
There is a five-year warranty on your Sandberg product.
Please read the warranty terms and register your new
Sandberg product at www.sandberg.it/warranty

Support

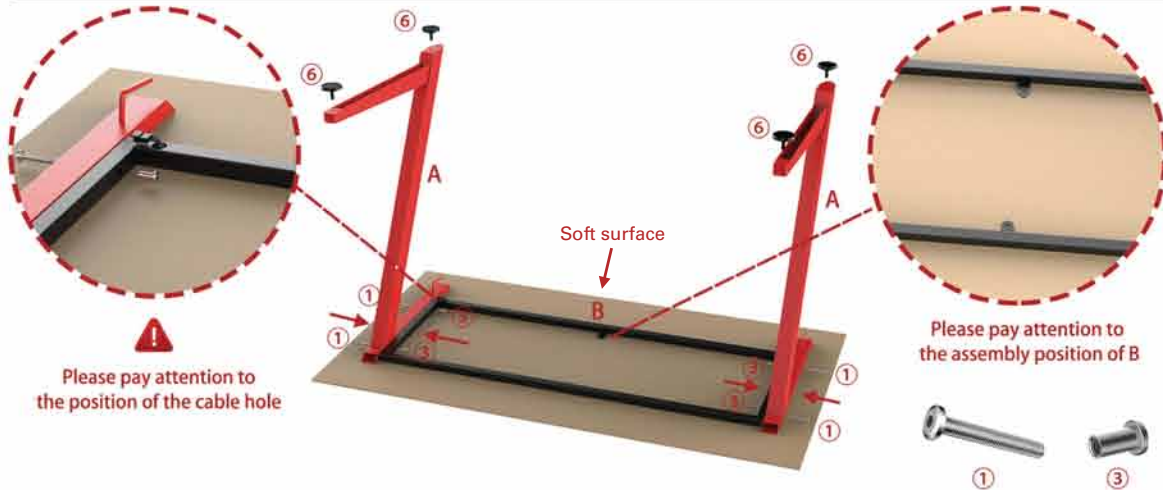
<http://helpdesk.sandberg.it>

Parts list

- | | | | | | |
|---|---|---|---|---|---|
| ① | ② | ③ | ④ | ⑤ | ⑥ |
|  |  |  |  |  |  |
| x4 | x6 | x8 | x12 | x8 | x4 |

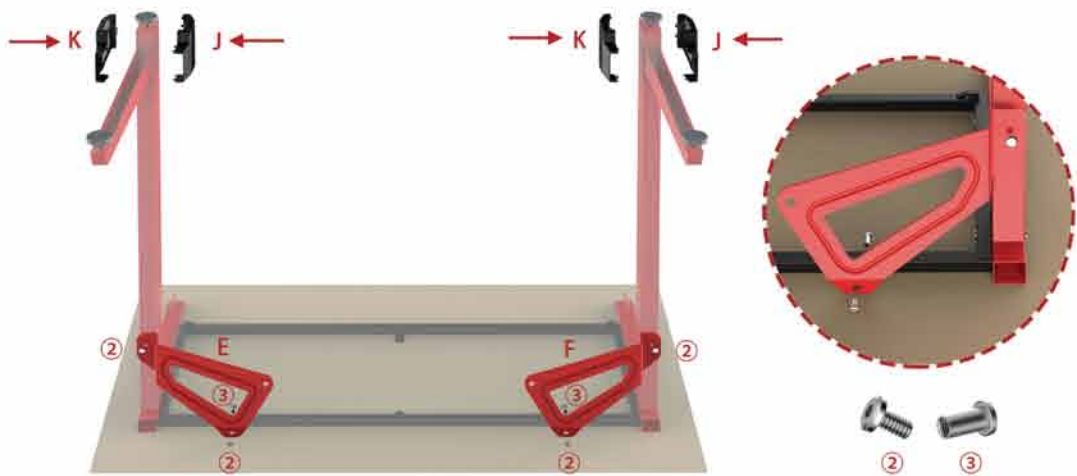


Step 1.

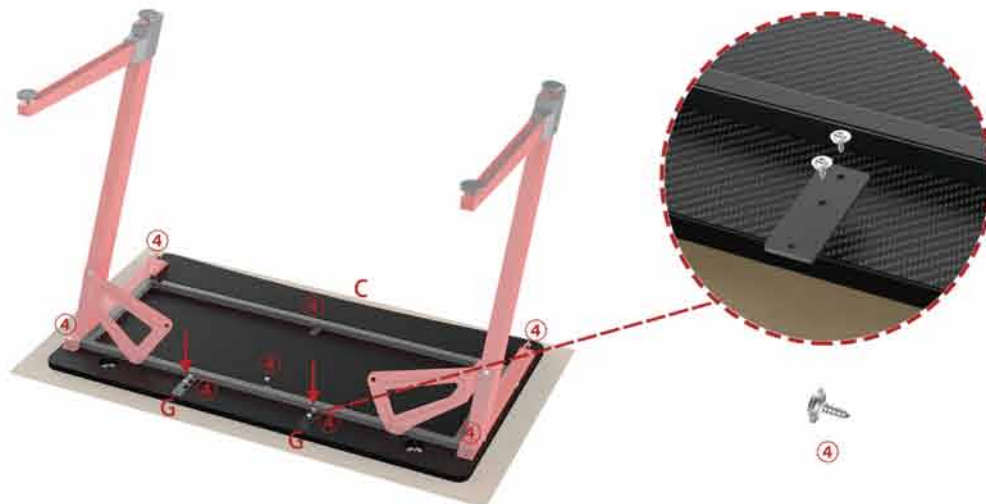


Step 2.

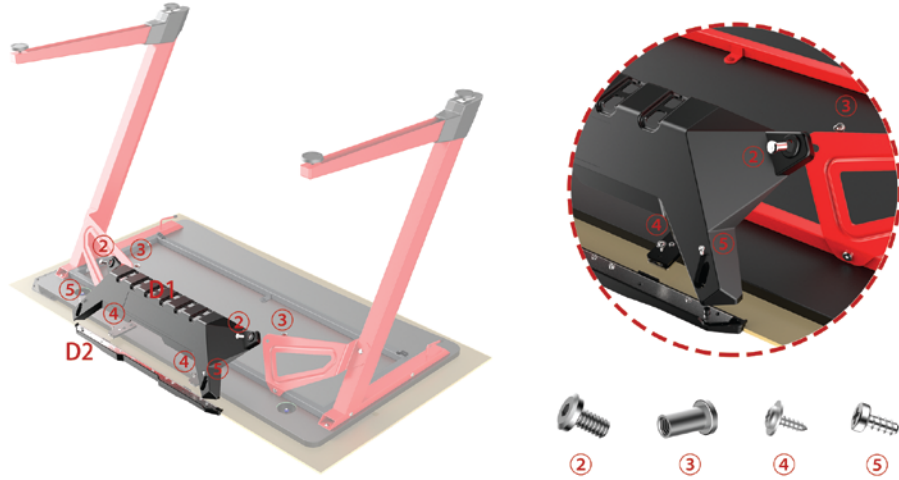
NOTE: Do not tighten the screws fully until all of them are in place.



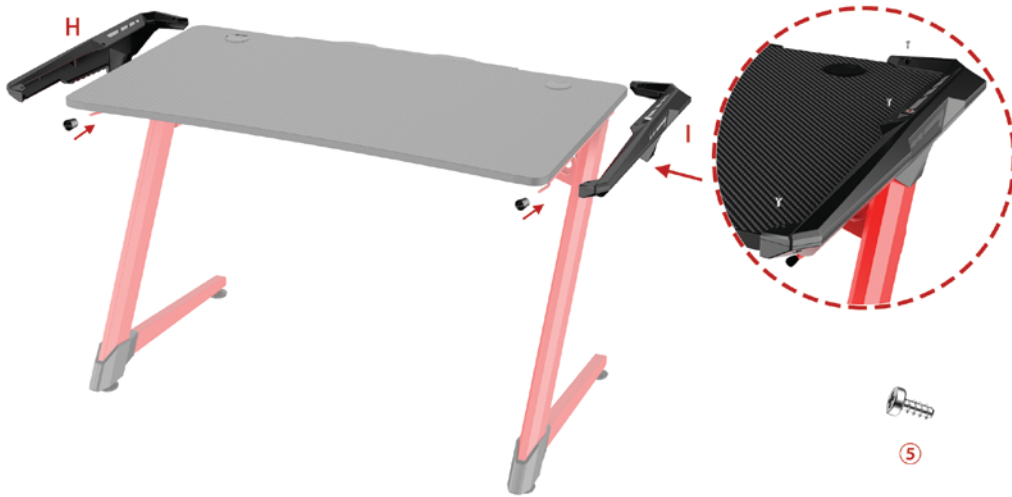
Step 3.



Step 4.



Step 5.



Step 6.

