

SHARP



User manual

DR-I470

Stereo Internet Radio

EN

DE

ES

IT

FR

PL

CZ

SK

PT

DK

HR

RO

RU

SV

Product images are for illustration purposes only.



Important safety instructions

Please, read these safety instructions and respect the following warnings before the appliance is operated:



The exclamation point within an equilateral triangle is intended to alert the user to the presence of important operating and maintenance (servicing) instructions in the literature accompanying the appliance.



Use only power supply listed in the user manual.



This symbol means that the product should be disposed of in an environmentally friendly manner and not with general household waste.



AC voltage



DC voltage



Class II equipment



For indoor use only



Energy efficiency marking with level VI



Polarity of d.c. power connector

In order to prevent fire always keep candles and other open flames away from this product.



Warning:

- Always follow basic safety precautions when using this appliance, especially when children are present.
- Children should be supervised to ensure that they do not play with the appliance.
- Do not damage the power cord, place heavy objects on it, stretch or bend it. Do not attach extension cables. Damage to the power cord may cause fire or electric shock.
- If the supply cord is damaged, it must be replaced by the manufacturer, a service agent or similarly qualified persons in order to avoid a hazard.
- Ensure that the unit is plugged into an AC 100-240V 50/60Hz power outlet. Using higher voltage may cause the unit to malfunction or catch fire.
- If the power plug does not fit into the socket, do not force it.
- Turn off the unit before unplugging it from power source to completely switch it off.
- Do not disconnect or connect the power cord with wet hands. This may cause an electric shock.
- If the unit is not going to be used for a long period time, disconnect the power supply.
- Ensure that the mains plug is always easily accessible.
- This product does not contain any parts that are serviceable by the user. In case of a fault, contact the manufacturer or authorised service department. Exposing the internal parts inside the device may endanger your life. The manufacturers guarantee does not extend to faults caused by repairs carried out by unauthorised third parties.
- Do not use this product immediately after unpacking. Wait until it warms up to room temperature before using it.
- Ensure this product is used in moderate climates only (not in tropical/subtropical climates).
- Place product on a flat, stable surface that is not subject to vibrations.

- Ensure the product and its parts is not overhanging the edge of the supporting furniture.
- To reduce the risk of fire, electric shock or damage to this product, do not expose it to direct sunlight, dust, rain and moisture. Never expose it to dripping or splashing and do not place objects filled with liquids on or near the product.
- Do not place objects filled with liquids, such as vases, on the apparatus.
- Do not install near any heat sources such as radiators, heat registers, stoves, or other apparatus (including amplifiers) that produce heat.
- Do not place the product where the humidity is high and ventilation is poor.
- Ensure a minimum distance of 5 cm around the apparatus for sufficient ventilation. Do not block any ventilation openings of this product. Always ensure that the ventilation openings are not covered with items such as newspapers, table-cloths, curtains, etc.
- NEVER let anyone, especially children, push anything into holes, slots or any other openings in the unit's casing as this could result in a fatal electric shock.
- Storms are dangerous for all electric appliances. If the mains or aerial wiring is struck by lightning, the appliance might get damaged, even if it is turned off. You should disconnect all the cables and connectors of the appliance before a storm.

Maintenance

- Unplug the power cable from the power source before cleaning the appliance.
- Use a soft and clean rag to clean the outside of the unit. Never clean it with chemicals or detergent.

Power Adapter

- To disconnect the unit from the mains supply, unplug the lead from the mains socket.
- Only use the supplied mains adaptor as failure to do this may result in a safety risk and/or damage to the unit.

Batteries

- Observe the correct polarity when inserting the batteries.
- Do not expose batteries to high temperatures and do not place them on locations where the temperature might increase quickly, e.g. near the fire or on the direct sunshine.
- Do not expose batteries to excessive radiant heat, do not throw them into the fire, do not disassemble them and do not try to recharge un-rechargeable batteries. They could leak or explode.
- Never use different batteries together or mix new and old ones.
- When the Remote Control is not to be used for a long time (more than a month), remove the battery from the Remote Control to prevent it from leaking.
- If the batteries leak, wipe away the leakage inside the battery compartment and replace the batteries with new ones.
- Do not use any batteries other than those specified.

Do not ingest battery, chemical burn hazard

- If the battery is swallowed, it can cause severe internal burns in just 2 hours and lead to death. Keep new and used batteries away from children. If the battery compartment does not close securely, stop using the product and keep it away from children. If you think batteries might have been swallowed or placed inside any part of the body, seek immediate medical attention.

Disposal of this equipment and Batteries

- Do not dispose of this product or its batteries as unsorted municipal waste. Return it to a designated collection point for the recycling of WEEE in accordance with local law. By doing so, you will help to conserve resources and protect the environment.



Cd



-
- Most of the EU countries regulate the disposal of batteries by law. Contact your retailer or local authorities for more information.



- The shown above appears on electrical and electronic equipment (or the packaging) to remind users of this.
- Users are requested to use existing return facilities for used equipment and batteries.

CE Statement:

- Hereby, UMC Poland sp. z o.o. declares that this audio device is in compliance with the essential requirements and other relevant provisions of RED Directive 2014/53/EU. The full text of the EU declaration of conformity is available by following the link <http://www.sharpconsumer.eu/documents-of-confirmity>

Trademarks:



The *Bluetooth*[®] word mark and logos are registered trademarks owned by Bluetooth SIG, Inc.



The Wi-Fi CERTIFIED Logo is a certification mark of the Wi-Fi Alliance.

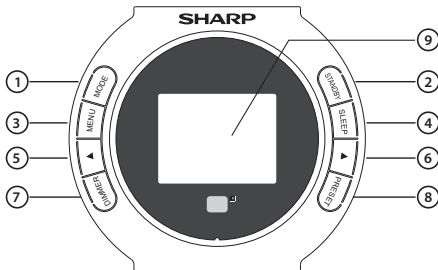
What is included in the box:

- 1 x Main unit
- 1 x Remote control
- 1 x Power adaptor
- 1 x User Manual
- 1x UK AC plug for power adapter
- 1x EU AC plug for power adapter

- 11. FM Antenna** – To receive the FM signal.
- 12. Earphone jack** – 3.5mm Earphone jack.
- 13. AUX IN jack** – Connect the 3.5mm audio cable to enjoy the external audio music.
- 14. DC Power input** – DC 12V

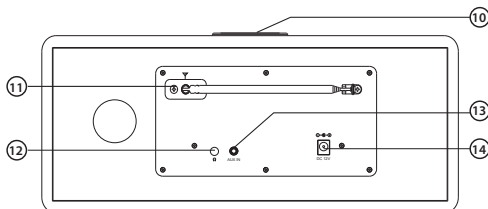
Panels & Controls

Front Panel



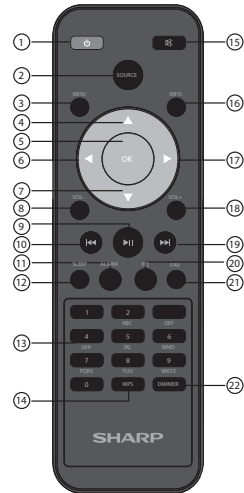
- 1. MODE** – Press to change the modes: DAB/DAB+, FM, Internet Radio, Bluetooth, AUX IN.
It can also be set with another function by setting from the <Key> menu in **CONFIGURATION**: Alarm, Dimmer, Equaliser, Local Radio, Mode, Preset, Sleep Timer, Timer.
- NOTES:** The default function for this button is Mode changing.
- 2. STANDBY** – Press this button to turn on the unit or enter standby mode.
- 3. MENU** – Enter the MENU Setting Interface
- 4. SLEEP** – Press repeatedly to set your desired sleep time.
- 5. ◀** – When in setting screen, press to go to the previous selection.
When listening to a radio, short press to decrease the frequency in 0.05MHz increments.
- 6. ▶** – When in setting screen, press to go to the next selection. When listening to a radio, short press to increase the frequency in 0.05MHz increments.
- 7. DIMMER** – Press to set the backlight level.
- 8. PRESET** – When in Internet radio playback, press this button to switch to the Radio Station/Music screen.
- 9. DISPLAY SCREEN** – To show the information.

Rear Panel



- 10. Volume Knob/ Select Knob/ OK button** – When playback, rotate the knob to adjust the playing volume. When setting the menu, Rotate the knob to select the options; press down to confirm your selection.

Remote Control



- 1. STANDBY** – Press the **STANDBY** button on remote control to wake up the unit or switch to the standby mode.
- 2. SOURCE** – Press the **SOURCE** button to change the playback modes: DAB/DAB+, FM, AUX IN, Bluetooth, Internet Radio.
Notes: This button can be used as another function by setting from the <Key> item in the **CONFIGURATION**: Alarm, Dimmer, Equaliser, Local Radio, Mode, Preset, Sleep Timer, Timer.
- 3. MENU** – Press the **MENU** button on the remote control or on the front panel to enter the menu playback, press the **DIRECTION** buttons or rotate the Select Knob to browse the menu: Internet Radio, Media Center, FM, DAB/DAB+, Information Center, AUX, Bluetooth, Configuration, Local Radio.
- 4. UP / 5. OK / 6. LEFT / 7. DOWN / 17. RIGHT** – Scroll the **UP** and **DOWN** button or rotate the Select Knob to browse scroll through the choices, then press down the OK button to confirm your selection.
- 8. VOL- / 18. VOL+** – To adjust the volume, you can press the **VOL+** and **VOL-** buttons, or rotate the Volume Knob directly.
- 10. PREVIOUS / 19. NEXT** – When playing a music, press the **PREVIOUS** or **NEXT** button to skip to the previous or next track. When listening to a radio, press the **PREVIOUS** or **NEXT** button to skip to the previous or next favor station.
- 9. PLAY/PAUSE** – Press the **PLAY/PAUSE** button to pause the playback, press again to resume.
- 11. ALARM** – Press the **ALARM** button to view and created the alarm options.
- 12. SLEEP** – Press the **SLEEP** button repeatedly to choose your desired sleep time.
- 13. NUMBER/LETTER** – When setting the menu, type numbers or letters.
- 14. WPS** – WPS Settings
- 15. MUTE** – Press the **MUTE** button to mute the sound, press again or

press the **VOL+/-** buttons remote control or rotate the Volume Knob on the top panel to resume.

- 16. INFO** – Press the **INFO** button to check the station information.
- 20. EQ** – Press the **EQ** button repeatedly to choose different sound fields: Normal, Flat, Jazz, Rock, Soundtracks, Classical, Pop, News, My EQ.
- 21. FAV** – Long press the **FAV** button to save station. Short press the **FAV** button to view your favourite stations that have been saved.
- 22. DIMMER** – Press the **DIMMER** button to select the backlight level

Fitting or replacing the remote control batteries

1. Push the catch on the battery cover in the direction of the embossed arrow on the rear of the remote.
2. While pushing the catch, open the battery cover.
3. Fit two batteries observing polarity +, - as shown. When replacing the batteries, use only the same type of battery supplied.
4. Re-fit the battery cover and clip it in place.

Starting Up Your Internet Radio

Plug the power adapter into the DC IN Jack. Then “**Welcome**” will be shown on the screen.

Ensure the antenna is extended as far as possible. This will enable you to get the best signal you can.

After the Welcome screen, if this is the first time of using your radio, you will be able to select the language by scrolling with the **Select Knob** and confirm your selection by pressing down the **OK** button.

After language setting, the screen will display “**Enable Check Network when Power On?**”. You can choose “**YES**” or “**NO**” to decide whether the unit check network when power on or not.

Manual WIFI Set-up

After the above setting, the screen will show “**Would you like to configure Network now?**”.

- If you select “**YES**”, your radio will begin to scan for nearby networks to connect to. After scanning, you need to choose the network you want to connect. Then type letters/numbers by scrolling with the **Select Knob** or pressing the **NUMBER/LETTER buttons** until the correct digit is displayed and click the **RIGHT** button to go to the next digit. Once finished, press down the **OK** button to confirm.
- If you select “**NO**” then you can set this up later in configuration settings.

Wireless Network (WPS PBC)

When at the “**Would you like to configure network now?**” stage, if you select “**YES(WPS)**” your radio will begin to search for WiFi connections.

While this has been selected, you will have 120 seconds to click the **WPS** button on your WiFi modem. This will connect your WiFi to your radio without manually writing in the passcode.

WiFi Connection Complete!

Once your WiFi is completed by manually entering your WiFi password pr via WPS, you will be taken to the main menu screen and the WiFi signal will appear in white at the top left. Your internet radio is now set up!

Internet Radio

Use the **LEFT/RIGHT** buttons or rotate the **Select Knob** to choose <**Internet Radio**> in the Menu screen, press down the **OK** button to enter, and there will be multiple options:

My Favorite: Your favourite stations will be saved here for easy listening. You can press the **FAV** button directly to view your favourite stations list.

Radio Station/Music: Select this option to browse internet radio stations in the categories of : Global Top 20, Genre, Country/Location, Highlight.

Find stations under relevant categories and select your chosen internet station by pressing the **OK** button.

Local Radio: The radio is automatically set up to detect your country's, Top 10 stations, All stations, plus a variety of genres into categories in alphabetical order. Select the category that you wish to listen to with the **OK** button and continue browsing until your desired station.

Sleep Radio: Choose from multiple relaxation sounds.

History: Browse through recently listened to stations.

Service: Search Radio Station or Add new Radio Station.

- You can use the **NUMBER/LETTER** buttons to search radio station.
- To add a new radio station, use the **NUMBER/LETTER** buttons to highlight the chosen character and click the **RIGHT** button to move to the next character. To go back to the previous character, press the **LEFT** button to highlight it. Press down the **OK** button to search for the internet station.

Save your favorite Internet Radio stations

When you have found your desired station, press and hold the **FAVOR** button to go to the

“**Add to My Favorite**” setting screen. Rotate the **Select Dial** or press the **UP/DOWN** buttons to choose the preset number and press the **OK** button to confirm your option.

FM Radio

The range of FM frequency is from 87.5MHz to 108.00MHz. Extended the antenna to find the strongest signal for each station.

Use the **LEFT/RIGHT** buttons or rotate the **Select Dial** to choose <**FM**> on the Menu screen, then press down the **OK** button to enter FM screen.

Tuning Station

Press the **UP/DOWN** buttons on the remote control or on the front panel to adjust the frequency up or down a step of **0.05MHz**.

Press the **LEFT/RIGHT** buttons on the remote control to skip to the previous or next station of the strongest reception. Once a station has been found, it stops scanning automatically.

Press down the **OK** button, “**Auto Scan**” will be shown on the screen. If you choose “**YES**”, the radio will begin to search stations from low to high frequency. And it will save the stations it found automatically.

Store Station

To save your favourite station, you should listen to this station first, long press the **FAV** button on the remote control, then use the **UP/DOWN** buttons or rotate the **Select Knob** to choose the digit you want to save. Then press down the **OK** button to confirm the preset.

Recall A Stored Station

1. Press the **PREVIOUS/NEXT** buttons on the remote control to skip to the previous or next preset station.
2. Or you can press the **FAV** button to select the stored station, press the **OK** button to listen.

DAB/DAB+

Use the **LEFT/RIGHT** buttons or rotate the **Select Knob** to choose <**DAB/DAB+**> on the Menu screen, press down the **OK** button to enter DAB/DAB+ mode.

On first time using of DAB on your radio, it will begin scanning for DAB stations and will show “**Scanning**” on the display screen. It will display how many stations have been found as the search continues.

Once all of the available stations have been found, the radio screen will display the choice of available stations. Using the **Select Knob** to scroll through and highlight chosen station. Select the station by pressing down the **OK** button.

When you have selected a station, the screen will display the station and begin to play.

To choose previous or next station, press the **PREVIOUS** or **NEXT** button to scroll accordingly.

When on your chosen station, press the **INFO** button to show the information on the station. The screen will scroll through information automatically and display genre, MHz, song playing, KHz and Kbps.

To go back to the list to scroll through manually, press the **LEFT** button to go back to the list.

Pre-setting your favorite DAB/DAB+ stations

When you have found your desired station, hold down the **FAV** button for a few seconds to go to the “**Add to My Favorite**” screen. Rotate the **Select Knob** to choose the preset number and press the **OK** button to confirm.

Alternatively, when you are on the list screen of DAB stations you are able to highlight the chosen station and hold down **FAV** button to follow guidance above.

To view your preset favourite stations, press the **FAV** button, and use the **UP** or **DOWN** button to scroll through the preset list.

Information Center

Use the **LEFT/RIGHT** buttons or rotate the **Select Knob** to choose **<Information Center>** on the Menu screen, press down the **OK** button to enter the information Center screen.

Weather Information: To select the weather information for a desired place, first select the continent by using the **Select Knob** to scroll and the **OK** button to confirm. Following this, then the country, followed by the town/city.

Once you choose a chosen town/city, the following information will be displayed: current temperature, weather symbol image, approximate temperature range for the next 5 days.

Financial Information: Select from a range of stock market index's from around the world. Use the

Select Knob to scroll and the **OK** button to confirm.

System Information: View system version and wireless connection information. If wireless information is selected, information such as WIFI's signal strength can be found.

Aux Operation

AUX-IN

Use the **LEFT/RIGHT** buttons or rotate the **Select Knob** to choose **<AUX>** on the Menu screen, press down the **OK** button to enter the AUX mode.

Plug an AUX cable into your radio and connect cable via AUX-IN port on the back of the radio. Begin playing audio from your device and this should play on the radio when in AUX mode.

Line Out (Headphone)

On the rear panel of the radio, the **Headphone jack** allows for listening the audio from your radio. Begin playing audio from the Internet Radio, Media Center, AUX or Bluetooth setting.

Bluetooth

Use the **LEFT/RIGHT** buttons or rotate the **Select Knob** to choose **<Bluetooth>** on the Menu screen, press down the **OK** button to enter the Bluetooth mode.

1. Go to your device settings to connect your device to the radio via Bluetooth.

2. Select the name “**SHARP DR-I470**” in the found list from your device. Once successfully connected, The radio will sound “**Connected**”, and “**Bluetooth Connected**” will appear on the display.
3. Select your chosen audio on your device and play.
4. Now you can enjoy the music in your device.
5. To disconnect between each other, switch to another playback mode, or turn off the Bluetooth function in your device.

Configuration

Use the **LEFT/RIGHT** buttons or rotate the **Select Knob** to choose **<Configuration>** on the main menu display screen, press down the **OK** button to enter the configuration settings.

Time Display

Set the time display type: Analog or Digital.

Manage my media U

Set the function to Enable or Disable.

Network

• Wireless Network Configuration

- On the Network settings, you can set up a WIFI connection by selecting Wireless Network Configuration. The radio will then start searching for available WIFI connections.
- Find your WIFI connection and select it with **OK** button. To type letters/numbers, use the **Select Knob** or press the **LETTER/NUMBER** buttons until the correct digit is displayed. Then press the **RIGHT** button to go to the next digit. Press **LEFT** button if you want to go back to the previous digit. Once finished, press down the **OK** button to confirm.
- Once your WIFI is connected, the main menu screen will show and the WIFI signal will appear in white at the top left corner.

• Wireless Network (WPS PBC)

- Select this option to search for the WIFI connection. Whilst this has been selected you will have 120 seconds to click the WPS button on your WIFI modem. This will connect your WIFI to your radio without manually writing in the passcode.

• Manual Configuration

- You can manually set the wireless data: DHCP, Enter SSID and Manage.
- **Check Network when Power On**
 - Set it Enable or Disable.

Date & Time

• Set Date and Time

• Manual Setup or Auto Detect

There is the option to manually set the time and date instead of using auto-detect to set this up. Rotate the **Select Knob** or press the digit buttons to input your desired digit of the month. Once you have got the correct digit, click **RIGHT** button to go to the day setting. Continues this process with the year, the hour and the minutes. Once the manual set up is complete, press down the **OK** button to enter. To cancel the format of the date and time, you can alter these settings under the “Date & Time” function.

- **Set Time Format:** To set the time format, 12Hour or 24 Hour.
- **Set Date Format:** YYYY/MM/DD, DD/MM/YYYY, MM/DD/YYYY

Alarm

• Setting Alarm 1/ Alarm 2

- To set an alarm on your radio, go to “**Configuration**” settings and scroll through to select “**Alarm**” or click **ALARM** button on the remote directly.
- After entering the Alarm setting screen, select “**Alarm 1(Turn Off)**” or “**Alarm 2(Turn Off)**” and choose “**Turn On**” to activate the alarm.
- Select “Repeat” to choose the regularity of your alarm by pressing down the **OK** button. You can choose between Everyday, Once or select individual days for the alarm to sound. Once you have made

your selection, press the **LEFT** button to go back to the other alarm settings.

- Select **"Time"** and turn the **Select Knob** to highlight the alarm hour. Once you have found the desired hours, press **RIGHT** button to change the minutes.
- Once the minutes are at the correct value, press **RIGHT** button to change **"AM"** or **"PM"**, then press the **OK** button to confirm and go back to alarm settings.
- Now scroll down and select **"Sound"** by pressing **OK** button. You can now choose between Beep, melody, Internet Radio, FM, or DAB/DAB+.
- If you are setting your alarm sound as Internet Radio, FM or DAB/DAB+ then you will now be taken through your preset favourite stations. Select your chosen alarm station by pressing down the **OK** button.
- The alarm symbol will show on the main display screen.
- **How to cancel your alarm**
 - To cancel your alarm, select **"Alarm"** in Configuration settings or with the **ALARM** button and select the alarm you wish to turn off.
 - Once the alarm is selected, you will have the option to turn off or on. Highlight the **"Turn Off"** option and press the **OK** button to confirm.

NOTE: Change the alarm volume by going to **"Alarm Volume"** setting in the Alarm setting screen.

• How to turn off your alarm when sounding

When your alarm is sounding, press the **ALARM** or **STANDBY** button on the remote control to stop the alarm. If you have set an alarm to sound everyday or more than once, the alarm icon will still remain on display screen.

• How to put your alarm on SNOOZE

When your alarm is sounding, press any button except **STANDBY** or **ALARM** to stop the sound and put into **SNOOZE** mode. The **SNOOZE** function will make the radio sound again after 5 minutes.

NOTE: Stop the **SNOOZE** alarm by pressing the **ALARM** or **STANDBY** button.

• Nap Alarm

- After selecting the **"Alarm"** option in Configuration settings, or the **ALARM** button on the remote control to select the **"NAP Alarm(Turn Off)"**.
- Choose how many minutes you would like to have the nap alarm on with the option of: Turn Off, 5 Minutes, 10 Minutes, 20 Minutes, 30 Minutes, 60 Minutes, 90 Minutes, 120 Minutes.

• Alarm Volume

- Change the alarm volume by rotating the **Volume Knob** or the **LEFT / RIGHT** buttons to change.
- Once the correct sound volume has been chosen, press the **OK** button to confirm.

Timer

- In **"Configuration"** settings, select the option for **"Timer"** and a screen with 00:00 will display.
- To go up in seconds, click the **RIGHT** button. To go down in seconds, click the **LEFT** button. Press and hold the **LEFT/RIGHT** buttons to move through the timer quickly.
- Once you have chosen the correct timer amount, confirm it by pressing the **OK** button.

Language

Select your chosen language within the list.

Dimmer

- To set the brightness of your radio, go to **"Configuration"** settings and select **"Dimmer"**. You can choose **"Power Saving"** or **"Turn on"** mode.
- Select **"Power Saving"** mode to change one of your brightness levels with the choice of up to 20 levels. When there is no activity of the radio for 15 seconds, this lower brightness level will set until a button is clicked and the **"Turn On"** setting will activate.
- Select **"Turn On"** mode to be the brightness for when the radio is active and in use.
- Alternatively, you can alter two brightness settings by pressing **DIMMER** button on the remote control on front panel directly.

Display

Choose the display to be **Color** or **Monochrome**.

Power Management

Select this to configure the radio to go into Standby mode automatically after a set time of inactivity or if there is no WIFI signal. You can select **5/15/30 minutes** to go into Standby mode, or you can select **"Turn Off"** to ignore this function.

Sleep Timer

- To set a sleep timer, go to **"Configuration"** settings and select **"Sleep Timer"**. You can choose **Turn Off, 15, 30, 60, 90, 120, 150, 180** minutes.
- Alternatively, you can repeatedly press the **SLEEP** button on the remote control to switch between sleep times on the top right of the display screen. There is an option between **15, 30, 60, 90, 120, 150, 180** minutes.
- Once Sleep Timer has been selected, the timer amount and a sleep image will show on the top right of the display screen.

Buffer

Configure the buffer time of the music playback: **2 / 4 / 8 seconds**.

Weather

- **Set location:** Choose and enter your location.
- **Temperature Unit:** Choose your preferred temperature "Celsius" or "Fahrenheit".
- **Show on Standby:** Choose "Off" or "On" to deactivate or activate the weather forecast display on the standby screen. When you activate the weather forecast display, it will display on the Standby screen every 10 seconds.

FM Setup

- **Mode:** You can set "Mono" or "Stereo" mode.
- **Threshold:** Select threshold settings (seek threshold/Stereo threshold). (Threshold is to set to the auto-switching between mono and stereo modes. When in a weak reception place, the system will switch to the mono mode automatically to reduce the background noise of the station, so that to be more clearly listening.)

Local Radio Setup

Manually set up your location for Local radio rather than allowing the radio to Auto Detect.

Playback Setup

Select the playback mode of the Media Center: Off, Repeat All, Repeat one, Shuffle.

Device

Default name for DLAN is "AirMusic". You can rename the device for DLAN setup.

Key

In this setting interface, you can select **"Alarm"**, **"Dimmer"**, **"Equaliser"**, **"Local Radio"**, **"Mode"**, **"Preset"**, **"Sleep Timer"** and **"Timer"** to confirm the function of the **MODE** button on the front panel and the remote control.

Equaliser

Default EQ is normal. You may change it to Flat, Jazz, Rock, Soundtracks, Classical, Pop, News or my EQ.

Resume when power on

Turn on the function for the radio to resume when powered on. Instead, the screen will remain in main menu.

Software Update

Will show here if a software update is available for the radio. If one is available, please select for the update to initiate.

Reset to Default

Select this option to reset your radio and revert all of the settings and presets made. Confirm that you would like to reset the unit and its settings by selecting **"YES"**.

Troubleshooting

This product does not contain any parts that are serviceable by the user. In case of a fault, contact the manufacturer or authorised service department. Exposing the internal parts inside the device may endanger your life. The manufacturers guarantee does not extend to faults caused by repairs carried out by unauthorised third parties.

No Sound

Cause

- Volume not turned up.

Solution

- Adjust the main volume knob.

No sound from Bluetooth connection

Solution

- Check whether external device requires password "0000" to start with.

WiFi not connecting

Solution

- Ensure WIFI mode is selected in settings and the correct passcode is being entered for the WIFI modem.

Static Sound

Cause

- Signal reception too low.

Solution

- Adjust the antenna or move the unit to a stronger signal location.

Sound is distorted

Cause

- Volume is too high

Solution

- Reduce the volume

Desired station not found

Cause

- Weak signal

Solution

- Use the Manual Tune function.

NO DAB functions

Cause

- No DAB coverage in your area.
- Poor reception

Solution

- Adjust the position of the aerial.

The display is blank.

Cause

- This may occur if the broadcaster changes the label of a service or removes a label while tuned.

Solution

- The radio will try to retune.
- Perform a scan.

NO Power

Cause

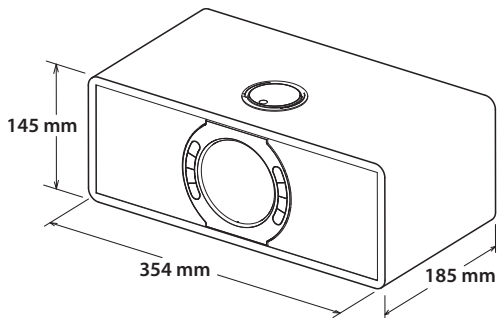
- The adaptor is not connected to the wall outlet.

Solution

- Make sure the adaptor is plugged.

Technical specification

Model	DR-I470
Output Power	2x7W (RMS)
Power Consumption (max.)	28W
Power Consumption (standard)	8W
Power Consumption Standby	<1W
FM Frequency	87.5-108MHz
DAB+ Frequency	174.928-239.200MHz
Bluetooth	
Version	V2.1+ EDR
Frequency bands	2402 MHz ~ 2480 MHz
Maximum power transmitted	4dBm
Power Adapter	
Model name:	FJ-SW1202000N
Input:	AC 100-240V ~ 50/60Hz, 0.6A Max
Output:	DC 12V =2000mA
Manufacturer:	SHENZHEN FU JIA APPLIANCE CO., LTD B1,Xujing chang Industrial Park, Haoye Road, Fuyong 518103 Shenzhen, China
WIFI	
Wifi connection:	802.11 b/g/n; STA/AP/AP Client



KG 3,16kg

Wichtige Sicherheitsanweisungen

Bitte lesen Sie sich diese Sicherheitsanweisungen durch und beachten Sie, bevor Sie das Gerät in Betrieb nehmen, auf die folgenden Warnhinweise:



Das Dreieckszeichen mit Ausrufungszeichen verweist auf wichtige Funktions- und Wartungshinweise (Reparatur) in der dem Gerät beigelegten Bedienungsanleitung.



Benutzen Sie nur die Energieversorgung, die in der Bedienungsanleitung angegeben ist.



Dieses Symbol bedeutet, dass das Produkt auf umweltfreundliche Weise und nicht mit dem gewöhnlichen Haushaltsmüll entsorgt werden sollte.



Wechselspannung



Gleichspannung



Gerät der Klasse II



Nur für den Innenbereich



Energieeffizienzkenzeichnung mit Stufe VI



Polarität des Gleichstromsteckers

Halten Sie Kerzen und offenes Feuer von diesem Produkt fern, um einen Brand zu vermeiden.



Warnung:

- Halten Sie sich während der Nutzung dieses Geräts immer an die allgemeinen Sicherheitshinweise, insbesondere, wenn Kinder in der Nähe sind.
- Kinder sollten beaufsichtigt werden, um sicherzustellen, dass sie nicht mit dem Gerät spielen.
- Das Stromkabel darf weder beschädigt, noch dürfen schwere Objekte darauf abgelegt werden, außerdem dürfen Sie es nicht dehnen oder verbiegen. Schließen Sie keine Verlängerungskabel an. Schäden am Stromkabel können zu einem Feuer oder Stromschlag führen.
- Das Stromkabel darf weder beschädigt, noch dürfen schwere Objekte darauf abgelegt werden, außerdem dürfen Sie es nicht dehnen oder verbiegen. Schließen Sie auch keine Verlängerungskabel an. Schäden am Stromkabel können zu einem Feuer oder Stromschlag führen.
- Wenn das Stromversorgungskabel beschädigt ist, muss es vom Hersteller, einem Servicetechniker oder einer ähnlich qualifizierten Person ausgetauscht werden, um Gefährdungen zu vermeiden.
- Stellen Sie sicher, dass die Einheit an eine AC 100-240V 50/60Hz Steckdose angeschlossen wird. Eine höhere Spannung kann zu Fehlfunktionen oder sogar zu einem Brand führen.
- Wenn der Netzstecker nicht in die Steckdose passt, dürfen Sie ihn nicht mit Gewalt einstecken.
- Wenn der Stecker nicht in die Steckdose passt, dürfen Sie keine Gewalt anwenden, um einen nicht passenden Stecker in die Steckdose zu drücken.
- Schalten Sie die Einheit aus, bevor Sie sie von der Stromversorgung trennen, um sie so vollständig abzuschalten.
- Wenn das Gerät längere Zeit nicht benutzt wird, trennen Sie es von der Stromversorgung.
- Vermeiden Sie es, das Stromkabel mit nassen Händen anzuschließen oder zu trennen. Dies könnte andernfalls zu einem Stromschlag führen.
- Trennen Sie das Stromkabel, wenn es längere Zeit nicht verwendet wird.

- Stellen Sie sicher, dass der Hauptstecker immer leicht zugänglich ist.
- Dieses Produkt enthält keine Teile, die vom Benutzer gewartet werden können. Setzen Sie sich im Fall eines Defekts mit dem Hersteller oder der autorisierten Kundenabteilung in Verbindung. Teile aus dem Inneren des Geräts freizulegen kann lebensgefährlich sein. Die Garantie der Hersteller gilt nicht für Defekte, die durch von nicht autorisierte Dritten durchgeführte Reparaturen entstehen.
- Benutzen Sie dieses Produkt nicht direkt nach dem Auspacken. Warten Sie, bis es sich auf Zimmertemperatur erwärmt hat, ehe sie es einschalten.
- Stellen Sie sicher, dass dieses Produkt ausschließlich in Umgebungen mit mildem Klima verwendet wird (kein tropisches oder subtropisches Klima).
- Stellen Sie das Produkt auf eine flache, stabile Oberfläche, die keinen Erschütterungen ausgesetzt ist.
- Das Produkt und dessen Teile dürfen nicht über die Kante deklarierten Möbelstücks hinausragen.
- Um das Risiko eines Feuers, Stromschlags oder Schäden an diesem Produkt zu reduzieren, sollten Sie es nicht direktem Sonnenlicht, Staub, Regen oder Feuchtigkeit aussetzen. Setzen Sie es niemals tropfendem oder spritzendem Wasser aus und positionieren Sie keine mit Flüssigkeiten gefüllten Objekte auf oder neben dem Produkt.
- Setzen Sie keine mit Flüssigkeit gefüllten Objekte wie Vasen auf das Gerät.
- Installieren Sie das Produkt nicht in der Nähe von Heizquellen, wie etwa Heizungen, Heizregister, Öfen oder anderen Apparaten (einschließlich Verstärker), die Hitze produzieren.
- Platzieren Sie das Gerät nicht an Orten mit hoher Feuchtigkeit und mangelhafter Belüftung.
- Sorgen Sie für einen Mindestabstand von 5 cm rund um das Gerät, um eine ausreichende Belüftung sicherzustellen. Vermeiden Sie es, Belüftungsöffnungen an diesem Produkt zu blockieren. Sorgen Sie immer dafür, dass die Belüftungsöffnungen nicht durch Gegenstände, z. B. Zeitungen, Tischdecken, Gardinen usw. verdeckt sind.
- Lassen Sie NIEMALS jemanden, ganz besonders nicht Kinder, etwas in die Löcher, Spalten oder anderen Öffnungen des Gerätegehäuses stopfen, da dies zu einem folgenschweren Stromschlag führen kann.
- Gewitter sind für alle elektrischen Geräte gefährlich. Wenn das Strom- oder Antennenkabel vom Blitz getroffen wird, kann das Gerät, auch wenn es ausgeschaltet ist, beschädigt werden. Bei einem herannahenden Gewitter sollten Sie alle Kabel und Stecker des Gerätes ausstecken.
- Ein exzessiver Schalldruck von Kopfhörern kann zu einem Hörverlust führen.

Wartung

- Trennen Sie vor dem Reinigen des Geräts das Stromkabel von der Stromquelle.
- Verwenden Sie einen weichen und sauberen Lappen, um die Außenflächen der Einheit zu reinigen. Verwenden Sie beim Reinigen niemals Chemikalien oder Reinigungsmittel.

Netzadapter

- Um die Einheit von der Stromversorgung zu trennen, trennen Sie das Netzkabel von der Steckdose.
- Benutzen Sie nur den mitgelieferten Netzadapter, andernfalls kann es zu einem Sicherheitsrisiko/einer Beschädigung des Gerätes kommen.

Batterien

- Achten Sie beim Einlegen der Batterien auf die richtige Polarität.
- Setzen Sie Batterien keinen hohen Temperaturen aus und legen Sie sie nicht an Stellen ab, wo sich die Temperatur schnell erhöht, z. B. neben einem Feuer oder in die direkte Sonneneinstrahlung.
- Setzen Sie Batterien keiner übermäßigen Strahlungswärme aus, werfen Sie sie nicht ins Feuer oder



Cd

bauen sie auseinander und versuchen Sie nicht, nicht aufladbare Batterien aufzuladen. Sie könnten undicht werden oder explodieren.

- Verwenden Sie niemals unterschiedliche Batterien oder vermischen neue mit alten.
- Wenn Sie die Fernbedienung für längere Zeit nicht verwenden (länger als einen Monat), sollten Sie die Batterie aus der Fernbedienung nehmen, um ein Auslaufen zu verhindern.
- Wenn die Batterien auslaufen, wischen Sie die ausgelaufene Flüssigkeit im Batteriefach weg und ersetzen die Batterien durch neue.
- Verwenden Sie immer nur die angegebenen Batterien.
- **Batterie nicht verschlucken, Gefahr von chemischen Verbrennungen**
- Wenn die Batterie verschluckt wird, kann dies zu schweren inneren Verbrennungen innerhalb von nur 2 Stunden führen und tödlich sein. Bewahren Sie neue und gebrauchte Batterien für Kinder unzugänglich auf. Wenn das Batteriefach nicht fest geschlossen werden kann, sollten Sie das Gerät nicht weiter verwenden und es für Kinder unzugänglich aufbewahren. Wenn Sie vermuten, dass Batterien verschluckt oder in irgendein Körperteil eingeführt wurden, müssen Sie sofort medizinische Hilfe in Anspruch nehmen.

Entsorgung dieses Geräts und von Batterien

- Entsorgen Sie dieses Produkt oder dessen Batterien niemals über den normalen Hausmüll. Geben Sie es entsprechend den gesetzlichen Regelungen vor Ort bei dem für das Recycling von WEEE vorgesehenen Sammelpunkt ab. Damit helfen Sie, Ressourcen einzusparen und die Umwelt zu schützen.
- In den meisten EU-Ländern gelten für die Entsorgung von Batterien besondere Gesetze und Vorschriften. Weitere Informationen erhalten Sie von Ihrem Händler oder den örtlichen Behörden.



- Die oben aufgeführten Hinweise sind auf elektrischen und elektronischen Geräten und Batterien (oder der Verpackung) zu finden, um Nutzer entsprechend zu erinnern. Nutzer werden darum gebeten, für gebrauchte Geräte und Batterien bestehende Rückgabeeinrichtungen zu nutzen.

CE-Konformitätserklärung:

- Die Universal Media Corporation s.r.o erklärt hiermit, dass dieses Audiogerät die wesentlichen Anforderungen und weitere entsprechende Vorschriften der RED-Verordnung 2014/53/EU einhält. Der vollständige Text der EU-Konformitätserklärung ist unter folgender Internetadresse erhältlich: <http://www.sharpconsumer.eu/documents-of-confirmity>

Markenzeichen:



Die *Bluetooth*® Wortmarke und Logos sind geschützte Marken der Bluetooth SIG Inc.



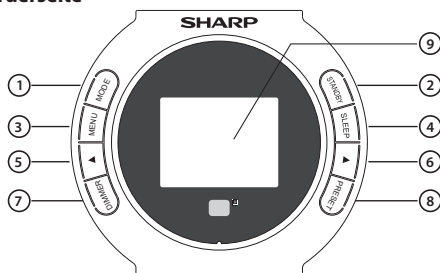
Das WI-FI CERTIFIED Logo ist ein Prüfzeichen der Wi-Fi Alliance.

Was befindet sich im Karton:

- 1x Hauptgerät
- 1x Fernbedienung
- 1x Netzadapter
- 1x Benutzerhandbuch
- 1x Wechselstromstecker für Netzadapter (Vereinigtes Königreich)
- 1x Wechselstromstecker für Netzadapter (Europäische Union)

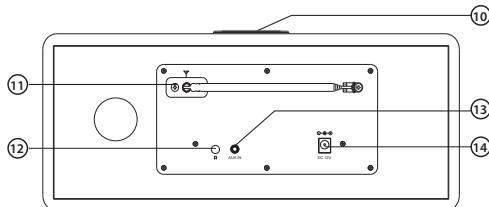
Panels und Bedienelemente

Vorderseite



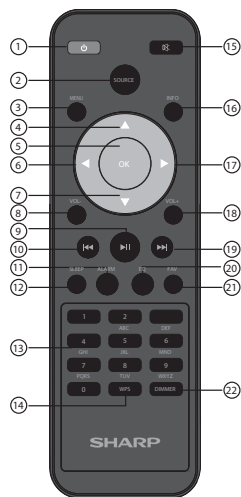
- MODE** – Drücken, um die Modi zu ändern: DAB/DAB+, FM, Internet Radio, Bluetooth, AUX IN.
Dies kann auch mit einer anderen Funktion durch Einstellung des <Taste>-Menüs in **EINSTELLUNGEN** belegt werden: Wecker, Dimmer, Equalizer, Lokale Station, Mode, Voreinstellung, Sleep timer, Timer.
HINWEISE: Die Standardfunktion für diese Taste ist Mode-Änderung.
- STANDBY** – Drücken Sie diese Taste, um das Gerät einzuschalten oder in den Standby-Mode zu wechseln.
- MENÜ** – Drücken Sie diese Taste, um die MENÜ-Einstellungsschnittstelle aufzurufen.
- SLEEP** – Wiederholt drücken, um Ihre gewünschte Schlafzeit einzustellen.
- ◀** – Im Einstellungsbildschirm drücken, um zur vorherigen Auswahl zurückzukehren. Beim Radiohören kurz drücken, um die Frequenz in 0,05-MHz-Schritten zu verringern.
- ▶** – Im Einstellungsbildschirm drücken, um zur nächsten Auswahl zu wechseln. Beim Radiohören kurz drücken, um die Frequenz in 0,05-MHz-Schritten zu erhöhen.
- DIMMER** – Drücken, um die Hintergrundbeleuchtung einzustellen.
- VOREINSTELLUNG** – Bei der Internet-Radio-Wiedergabe diese Taste drücken, um zum Bildschirm Radiosender/Musik zu wechseln.
- ANZEIGEBILDSCHIRM** – Zur Anzeige von Informationen.

Rückseite



- Lautstärkeknoopf/Auswahlknopf/OK-Taste** – Drehen Sie den Knopf während der Wiedergabe, um die Wiedergabelautstärke einzustellen. Drehen Sie diesen Knopf bei der Einstellung dieses Menüs, um die Optionen auszuwählen; drücken Sie ihn, um ihre Auswahl zu bestätigen.
- FM-Antenne** – Für den Empfang des FM-Signals.
- Kopfhöreranschluss** – 3-5-mm-Kopfhöreranschluss.
- AUX-IN-Anschluss** – Schließen Sie das 3,5-mm-Kabel an, um externe Musik zu genießen.
- DC-Netzeingang** – 12V Gleichstrom

Fernbedienung



- STANDBY** – Drücken Sie die Taste **STANDBY** auf der Fernbedienung, um das Gerät aufzuwecken oder in den Standby-Mode zu versetzen.
- SOURCE** – Drücken Sie die **SOURCE**-Taste, um die Wiedergabemodi zu ändern: DAB / DAB +, UKW, AUX IN, Bluetooth, Internetradio.
Hinweis: Diese Taste kann als weitere Funktion verwendet werden, indem Sie in der **EINSTELLUNGEN** den Punkt <Taste> einstellen: Wecker, Dimmer, Equalizer, Lokale Station, Mode, Voreinstellung, Sleep timer, Timer.
- MENU (MENÜ)** – Drücken Sie die Taste **MENU (MENÜ)** auf der Fernbedienung oder der Frontblende, um die Menüwiedergabe aufzurufen; drücken Sie die Tasten für die entsprechende **RICHTUNG** und drehen Sie den **Auswahlknopf**, um durch das Menü zu blättern: Internet Radio, Media-Center, FM, DAB/DAB+, Informations-Center, AUX, Bluetooth, Einstellungen, Lokale Station.
- NACH OBEN / 5. OK / 6. LINKS / 7. NACH UNTEN / 17. RECHTS** – Blättern Sie mit den Tasten **NACH OBEN** und **NACH UNTEN** oder drehen Sie die **Auswahlknopf**, um durch die Auswahlmöglichkeiten zu blättern; drücken Sie anschließend die **OK**-Taste, um Ihre Auswahl zu bestätigen.
- VOL- / 18. VOL+** – Um die Lautstärke einzustellen, können Sie die Tasten **VOL+** und **VOL-** drücken oder direkt am Lautstärkeknoopf drehen.
- ZURÜCK / 19. WEITER** – Drücken Sie während der Musikwiedergabe die Taste **ZURÜCK** oder **WEITER**, um zum vorherigen oder nächsten Track zu schalten. Drücken Sie beim Radiohören die Taste **ZURÜCK** oder **WEITER**, um zum vorherigen oder nächsten Sender-Favoriten zu schalten.
- WIEDERGABE/PAUSE** – Drücken Sie die Taste **WIEDERGABE/PAUSE**, um die Wiedergabe zu pausieren; drücken Sie diese Taste erneut, um die Wiedergabe fortzusetzen.
- WECKER** – Drücken Sie die Taste **WECKER**, um die Weckeroptionen aufzurufen und einzustellen.
- SLEEP** – Drücken Sie wiederholt die Taste **SLEEP**, um Ihre bevorzugte Schlafzeit auszuwählen.

13. **ZAHL/BUCHSTABE** – Geben Sie bei der Einstellung im Menü Buchstaben oder Zahlen ein.
14. **WPS** – WPS-Einstellungen
15. **STUMM** – Drücken Sie die Taste **MUTE (STUMM)**, um den Ton stumm zu schalten; drücken Sie diese Taste erneut oder drücken Sie die Tasten **VOL+/-** auf der Fernbedienung oder drehen Sie den Lautstärkekноп auf der Oberblende, um weiterzuhören.
16. **INFO** – Drücken Sie die Taste **INFO**, um die Senderdaten aufzurufen.
20. **EQ** – Drücken Sie wiederholt die Taste **EQ**, um die unterschiedlichen EQ-Modi auszuwählen: Normal, Mittig, Jazz, Rock, Soundtracks, Klassik, Pop, Nachrichten, my EQ.
21. **FAV** – Drücken Sie lange auf die Taste **FAV**, um den Sender abzuspeichern. Drücken Sie kurz auf die Taste **FAV**, um sich Ihre abgespeicherten Lieblingsender anzusehen.
22. **DIMMER** – Drücken Sie die Taste **DIMMER**, um die Hintergrundbeleuchtung auszuwählen.

Batterien der fernbedienung einlegen oder ersetzen

1. Drücken Sie die Arretierung auf der Batterieabdeckung auf der Rückseite der Fernbedienung in Richtung des eingepprägten Pfeils.
2. Halten Sie die Arretierung gedrückt und öffnen Sie das Batteriefach.
3. Legen Sie zwei Batterien mit der richtigen Polarität (+/-) wie angezeigt ein. Verwenden Sie beim Ersetzen der Batterien nur den gleichen Batterietyp wie mitgeliefert.
4. Setzen Sie die Batterieabdeckung wieder ein und lassen Sie sie einrasten.

Einrichten Ihres Internet Radios

Stecken Sie das Netzteil in der Gleichstrom-Eingangsbuchse (DC IN). Anschließend wird auf dem Bildschirm „Welcome“ (Willkommen) angezeigt. Überprüfen Sie, dass die Antenne möglichst weit ausgezogen ist. Dies garantiert den bestmöglichen Signalempfang.

Wenn Sie Ihr Radio das erste Mal benutzen, können Sie nach dem Willkommensbildschirm die Sprache wählen, indem Sie mit dem **Auswahlknopf** blättern und Ihre Auswahl durch Drücken der Taste **OK** bestätigen.

Nach der Spracheinstellung zeigt der Bildschirm „Enable Check Network when Power On?“ (Netzwerk prüfen beim Anschalten aktivieren?). Sie können „YES (JA)“ oder „NO (NEIN)“ auswählen und entscheiden, ob das Gerät das Netzwerk beim Anschalten prüft oder nicht.

Manuelle WLAN-Einrichtung

Nach den oben genannten Einstellungen wird „Would you like to configure Network now?“ (Möchten Sie das Netzwerk jetzt konfigurieren?) auf dem Bildschirm angezeigt.

- Wenn Sie „YES (JA)“ auswählen, sucht Ihr Radio nach Netzwerken in der Nähe, um sich damit zu verbinden. Nach dem Scan müssen Sie das Netzwerk für die Verbindung auswählen. Geben Sie anschließend die Buchstaben/Zahlen ein, indem Sie mit dem **Auswahlknopf** blättern oder die **BUCHSTABEN-/ZAHLEN-Tasten** drücken, bis die richtige Auswahl angezeigt wird – drücken Sie dann auf die Taste **RECHTS**, um zur nächsten Stelle zu wechseln. Wenn Sie damit fertig sind, drücken Sie zur Bestätigung die Taste **OK**.
- Wenn Sie „NO (NEIN)“ auswählen, können Sie dies später in den Konfigurationseinstellungen einstellen.

Funknetz (WPS PBC)

Wenn Sie während „Would you like to configure Network now?“ (Möchten Sie das Netzwerk jetzt konfigurieren?) „YES (JA)“ (JA – WPS) wählen, sucht Ihr Radio nach WLAN-Verbindungen.

Bei dieser Auswahl haben Sie 120 Sekunden Zeit, um die **WPS**-Taste auf Ihrem WLAN-Modem zu drücken. Dies verbindet Ihr WLAN mit Ihrem Radio, ohne manuell den Passcode eingeben zu müssen.

WLAN-Verbindung abgeschlossen!

Sobald Ihr WLAN durch die manuelle Eingabe des WLAN-Passworts oder über WPS eingerichtet ist, werden Sie auf den Hauptmenübildschirm weitergeleitet und das WLAN-Signal erscheint oben links in Weiß. Ihr Internet Radio ist jetzt eingerichtet!

Internet Radio

Benutzen Sie die Tasten **LINKS/RECHTS** oder drehen Sie den **Auswahlknopf**, um <Internet Radio> auf dem Menübildschirm auszuwählen – drücken Sie zum Aufrufen die Taste **OK** und es erscheinen verschiedene Optionen:

Meine Favoriten: Hier werden Ihre Lieblingsender zum einfachen Anhören abgespeichert. Sie können direkt die Taste **FAV** drücken, um die Liste Ihrer Lieblingsender anzusehen.

Radiosender/Musik: Wählen Sie diese Option, um die Internet-Radiosender in folgenden Kategorien durchzublätern: Global Top 20 (Weltweite Top 20), Genre (Genre), Country/Location (Land/Ort), Highlight (Highlight). Suchen Sie Sender in den entsprechenden Kategorien und wählen Sie Ihren Lieblingsender, indem Sie die Taste **OK** drücken.

Lokale Station: Das Radio wird automatisch eingerichtet, um die Sender Ihres Landes, die Top-10-Sender, Alle Sender und zusätzlich eine Vielzahl von Genres zu erkennen und alphabetisch in Kategorien zu sortieren. Wählen Sie mit der Taste **OK** die Kategorie aus, die Sie anhören möchten, und blättern Sie bis zu Ihrem gewünschten Sender weiter.

Schlafradio: Wählen Sie aus verschiedenen entspannenden Klängen.

Zuletzt gehörte Sender: Blättern Sie durch die zuletzt angehörten Sender.

Service: Sender suchen oder Neuen Sender hinzufügen.

- Mit den **ZAHLEN-/BUCHSTABEN**-Tasten können Sie nach einem Sender suchen.
- Um einen neuen Sender hinzuzufügen, benutzen Sie die **ZAHLEN-/BUCHSTABEN**-Tasten, um das gewünschte Zeichen zu markieren, und drücken dann die Taste **RECHTS**, um zum nächsten Zeichen überzugehen. Um zurück zum letzten Zeichen zu wechseln, drücken Sie die Taste **LINKS**, um es auszuwählen. Drücken Sie die Taste **OK**, um nach dem Internetsender zu suchen.

Abspeichern Ihrer bevorzugten Internet-Radiosender

Wenn Sie Ihren Lieblingsender gefunden haben, drücken und halten Sie die Taste **FAVOR**, um zum Einstellungsbildschirm

„Add to My Favorite (Zu Meine Favoriten hinzufügen)“ zu wechseln. Drehen Sie das **Auswahlrad** oder drücken Sie die Tasten **NACH OBEN/NACH UNTEN**, um die Voreinstellungsnummer auszuwählen, und drücken Sie die Taste **OK**, um Ihre Auswahl zu bestätigen.

FM-Radio

Der Bereich der FM-Frequenz liegt zwischen 87,5 MHz und 108,00 MHz. Verlängern Sie die Antenne, um für jeden Sender das stärkste Signal zu finden.

Benutzen Sie die Tasten **LINKS/RECHTS** oder drehen Sie den **Auswahlknopf**, um <FM> auf dem Menübildschirm auszuwählen; drücken Sie dann zum Aufrufen des FM-Bildschirms die Taste **OK**.

Sender einstellen

Drücken Sie die Tasten **NACH OBEN/NACH UNTEN** auf der Fernbedienung oder auf der Frontblende, um die Frequenz in Schritten von jeweils **0,05 MHz** einzustellen.

Drücken Sie die Tasten **LINKS/RECHTS** auf der Fernbedienung, um zum vorherigen oder nächsten Sender mit dem stärksten Empfang zu schalten. Sobald ein Sender gefunden wurde, wird der Schlauf automatisch angehalten.

Drücken Sie die Taste **OK** – auf dem Bildschirm wird „Auto Scan“ angezeigt. Wenn Sie „YES (JA)“ auswählen, sucht das Radio von der niedrigsten bis zur höchsten Frequenz nach Sendern. Und die gefundenen Sender werden automatisch abgespeichert.

Sender speichern

Um Ihren Lieblingsender abzuspeichern, sollten Sie diesen Sender erst anhören; drücken Sie dann lange auf die Taste **FAV** auf der Fernbedienung; benutzen Sie anschließend die Tasten **NACH OBEN/NACH UNTEN** oder drehen Sie den **Auswahlknopf**, um die Stelle auszuwählen, die Sie abspeichern möchten. Drücken Sie anschließend die Taste **OK**, um die Voreinstellung zu bestätigen.

Aufrufen eines gespeicherten Senders

1. Drücken Sie die Tasten **ZURÜCK/WEITER** auf der Fernbedienung, um zum vorherigen oder nächsten Sender zu schalten.
2. Sie können auch die Taste **FAV** drücken, um den gespeicherten Sender auszuwählen; drücken Sie zum Anhören die Taste **OK**.

DAB/DAB+

Benutzen Sie die Tasten **LINKS/RECHTS** oder drehen Sie den **Auswahlknopf**, um <DAB/DAB+> auf dem Menübildschirm auszuwählen; drücken Sie die Taste **OK**, um den Mode DAB/DAB+ aufzurufen.

Wenn Sie auf Ihrem Radio das erste Mal DAB benutzen, sucht es nach DAB-Sendern und zeigt „Scanning (Suche läuft)“ auf dem Anzeigebildschirm an. Während der Suche wird angezeigt, wie viele Sender gefunden wurden. Sobald alle verfügbaren Sender gefunden wurden, zeigt der Radiobildschirm die Auswahl der verfügbaren Sender an. Blättern Sie mit dem **Auswahlknopf** durch die Auswahl und markieren Sie den

gewünschten Sender. Wählen Sie Ihren Sender durch Drücken der Taste **OK**.

Wenn Sie einen Sender ausgewählt haben, wird er auf dem Bildschirm angezeigt und die Wiedergabe startet.

Um den letzten oder nächsten Sender auszuwählen, drücken Sie die Taste **ZURÜCK** oder **WEITER**, um entsprechend zu blättern.

Wenn Ihr gewünschter Sender wiedergegeben wird, drücken Sie die Taste **INFO**, um die Informationen dieses Senders anzuzeigen. Auf dem Bildschirm laufen die Informationen automatisch durch und zeigen Genre, MHz, den abgespielten Song, KHz und Kbps.

Um zurück zur Liste zu wechseln und manuell zu blättern, drücken Sie die Taste **LINKS** – es wird wieder die Liste angezeigt.

Voreinstellung Ihrer bevorzugten Sender bei DAB/DAB+

Wenn Sie Ihren Lieblingsender gefunden haben, halten Sie die Taste **FAV** einige Sekunden lang gedrückt, um zum Bildschirm „**Add to My Favorite (Zu Meine Favoriten hinzufügen)**“ zu wechseln. Drehen Sie den **Auswahlknopf**, um die Voreinstellungsnummer auszuwählen und drücken Sie zur Bestätigung die Taste **OK**.

Sie können auf dem Listenbildschirm der DAB-Sender auch den gewünschten Sender markieren, die Taste **FAV** drücken und dann die oben aufgeführten Punkte befolgen.

Um sich Ihre Lieblingsender anzusehen, drücken Sie die Taste **FAV** und blättern mit der Taste **NACH OBEN** oder **NACH UNTEN** durch die Voreinstellungsliste.

Informations-Center

Benutzen Sie die Tasten **LINKS/RECHTS** oder drehen Sie den **Auswahlknopf**, um **<Informations-Center>** auf dem Menübildschirm auszuwählen; drücken Sie die Taste **OK**, um den Bildschirm Informations-Center aufzurufen.

Wetter-Information: Um die Wetter-Information für einen gewünschten Standort auszuwählen, wählen Sie zuerst den Kontinent, indem Sie mit dem **Auswahlknopf** blättern, und bestätigen Sie Ihre Auswahl mit der Taste **OK**. Anschließend folgt das Land und dann die Stadt.

Sobald Sie eine Stadt ausgewählt haben, werden folgende Informationen angezeigt: aktuelle Temperatur, Bild des Wettersymbols, ungefähre Temperaturbereich für die nächsten 5 Tage.

Finanz-Information: Wählen Sie aus einer Reihe von Börsenindizes aus der ganzen Welt. Verwenden Sie den

Auswahlknopf zum Blättern und die Taste **OK** zum Bestätigen.

Systeminformation: Sehen Sie sich die Systemversion und Drahtlos-Verbindungsdaten an. Wenn Drahtlosinformationen ausgewählt sind, können Informationen wie etwa das WLAN-Signal abgerufen werden.

AUX-Betrieb

AUX-IN

Benutzen Sie die Tasten **LINKS/RECHTS** oder drehen Sie den **Auswahlknopf**, um **<AUX>** auf dem Menübildschirm auszuwählen; drücken Sie die Taste **OK**, um den AUX-Mode aufzurufen.

Stecken Sie ein AUX-Kabel in Ihr Radio; verbinden Sie das Kabel mit dem AUX-IN-Anschluss an der Rückseite Ihres Radios. Spielen Sie Audio auf Ihrem Gerät ab; das Audio sollte im AUX-Mode auf dem Radio abgespielt werden.

Line Out (Kopfhörer)

Auf der Rückblende des Radios ermöglicht der **Kopfhöreranschluss** das Hören von Audio von Ihrem Radio. Starten Sie die Audio-Wiedergabe über die Einstellung Internet Radio, Media-Center, AUX oder Bluetooth.

Bluetooth

Benutzen Sie die Tasten **LINKS/RECHTS** oder drehen Sie den **Auswahlknopf**, um **<Bluetooth>** auf dem Menübildschirm auszuwählen; drücken Sie die Taste **OK**, um den Bluetooth-Mode aufzurufen.

1. Rufen Sie Ihre Geräteeinstellungen auf, um Ihr Gerät über Bluetooth mit dem Radio zu verbinden.

2. Wählen Sie auf Ihrem Gerät den Namen „**SHARP DR-I470**“ in der Liste der gefundenen Geräte aus. Nach der erfolgreichen Verbindung zeigt das Radio „**Connected (Verbunden)**“ an und auf dem Bildschirm erscheint „**Bluetooth Connected (Bluetooth verbunden)**“.
3. Wählen Sie auf Ihrem Gerät das gewünschte Audiosignal und spielen Sie es ab.
4. Nun können Sie die Musik auf Ihrem Gerät genießen.
5. Um die Geräte zu trennen, schalten Sie in einen anderen Wiedergabe-Mode oder schalten Sie die Bluetooth-Funktion Ihres Geräts ab.

Einstellungen

Benutzen Sie die Tasten **LINKS/RECHTS** oder drehen Sie den **Auswahlknopf**, um **<Einstellungen>** auf dem Hauptmenü-Anzeigebildschirm auszuwählen; drücken Sie die Taste **OK**, um die Einstellungen aufzurufen.

Zeitanzeige

Stellen Sie die Art der Zeitanzeige ein: Analog oder Digital.

My mediaU verwalten

Stellen Sie die Funktion auf Aktivieren oder Deaktivieren.

Netzwerk

- **Funknetz-Einstellung**
 - In den Netzwerkeinstellungen können Sie eine WLAN-Verbindung einrichten, indem Sie „**Funknetz-Einstellung**“ auswählen. Das Radio sucht anschließend nach verfügbaren WLAN-Verbindungen.
 - Suchen Sie nach Ihrer WLAN-Verbindung und wählen Sie sie mit der Taste **OK** aus. Um Buchstaben/Zahlen einzugeben, benutzen Sie den **Auswahlknopf** oder drücken Sie die **BUCHSTABEN-/ZAHLEN**-Tasten, bis die richtige Stelle angezeigt wird. Drücken Sie anschließend die Taste **RECHTS**, um zur nächsten Stelle zu wechseln. Drücken Sie die Taste **LINKS**, wenn Sie zur vorherigen Stelle zurückkehren möchten. Wenn Sie damit fertig sind, drücken Sie zur Bestätigung die Taste **OK**.
 - Sobald Ihr WLAN verbunden ist, wird der Hauptmenübildschirm angezeigt und das WLAN-Signal erscheint oben links in Weiß.
- **Funknetz (WPS PBC)**
 - Wählen Sie diese Option, um nach der WLAN-Verbindung zu suchen. Bei dieser Auswahl haben Sie 120 Sekunden Zeit, um die WPS-Taste auf Ihrem WLAN-Modem zu drücken. Dies verbindet Ihr WLAN mit Ihrem Radio, ohne manuell den Passcode einzugeben.
- **Manuelle Konfiguration**
 - Sie können die Drahtlosdaten manuell eingeben: DHCP (Dynamic Host Configuration Protocol), Enter SSID (SSID eingeben) und Manage (Verwalten).
- **Netzwerk prüfen beim Anschalten**
 - Stellen Sie Aktivieren oder Deaktivieren ein.

Datum&Uhrzeit

- **Datum und Zeit einstellen**
 - **Manuelle Einrichtung oder Automatisch erkennen**
Es gibt eine Option, um das Datum und die Zeit manuell einzurichten, anstelle dazu die automatische Erkennung zu nutzen. Drehen Sie am **Auswahlknopf** oder drücken Sie die Zifferntasten, um beim Monat die gewünschte Ziffer einzugeben. Sobald Sie die richtige Ziffer eingegeben haben, drücken Sie die Taste **RECHTS**, um zur Tageseinstellung zu wechseln. Machen Sie weiter mit dem Jahr, der Stunde und den Minuten. Sobald die manuelle Einstellung abgeschlossen ist, drücken Sie zur Eingabe die Taste **OK**. Um das Format für Datum und Zeit abzubrechen, können Sie diese Einstellungen mit der Funktion „**Datum&Uhrzeit**“ ändern.
 - **Zeitformat einstellen:** Zur Einstellung des Uhrzeitformats: 12 Stunden oder 24 Stunden.
 - **Datumsformat einstellen:** JJJJ/MM/TT, TT/MM/JJJJ, MM/TT/JJJJ

Wecker

- **Wecker 1/Wecker 2 einstellen**
 - Um auf Ihrem Radio einen Wecker einzustellen, gehen Sie zu „**Einstellungen**“ und blättern zur Auswahl von „**Wecker**“ oder drücken direkt die Taste **WECKER** auf der Fernbedienung.

- Nach dem Aufrufen des Wecker-Einstellungsbildschirms wählen Sie **„Wecker 1(Aus)“** oder **„Wecker 2(Aus)“** und wählen **„Einschalten“**, um den Wecker zu aktivieren.
- Wählen Sie „Wiederholen“, um die Wiederholung Ihres Weckers auszuwählen – drücken Sie dazu Taste **OK**. Sie können „Everyday (Täglich)“, „Once (Einmal)“ oder einzelne Tage für den Weckruf auswählen. Sobald Sie Ihre Auswahl getätigt haben, drücken Sie die Taste **LINKS**, um zu den weiteren Weckereinstellungen zu wechseln.
- Wählen Sie **„Uhrzeit“** und drehen Sie den **Auswahlknopf**, um die Weckerstunde auszuwählen. Sobald Sie die gewünschten Stunden gefunden haben, drücken Sie die Taste **RECHTS**, um zu den Minuten zu wechseln.
- Sobald Sie den richtigen Wert für die Minuten gefunden haben, drücken Sie die Taste **RECHTS**, um **„AM (Vormittag)“** oder **„PM (Nachmittag)“** auszuwählen; drücken Sie anschließend die Taste **OK**, um Ihre Auswahl zu bestätigen und zurück zu den Weckereinstellungen zu gehen.
- Blättern Sie jetzt nach unten und wählen Sie **„Sound“**, indem Sie die Taste **OK** drücken. Sie können zwischen Beep (Piepston), Melody (Melodie), Internet Radio, FM oder DAB/DAB+ wählen.
- Wenn Sie Ihren Weckerton als Internet Radio, FM oder DAB/DAB+ einrichten, werden anschließend Ihre bevorzugten Sender angezeigt. Wählen Sie Ihren bevorzugten Weckersender durch Drücken der Taste **OK**.
- Das Weckersymbol wird auf dem Hauptanzeigebildschirm angezeigt.
- **Wecker deaktivieren**
 - Um Ihren Wecker abzubrechen, wählen Sie **„Wecker“** in den Einstellungen oder mit der Taste **WECKER** und wählen den Wecker, den Sie deaktivieren möchten.
 - Sobald der Wecker ausgewählt ist, können Sie ihn aktivieren oder deaktivieren. Markieren Sie die Option **„Aus“** und drücken Sie zur Bestätigung die Taste **OK**.

HINWEIS: Ändern Sie die Wecker-Lautstärke unter der Einstellung **„Wecker-Lautstärke“** auf dem Wecker-Einstellungsbildschirm.

- **Wecker beim Klingeln deaktivieren**
Wenn Ihr Wecker klingelt, drücken Sie die Taste **WECKER** oder die Taste **STANDBY** auf der Fernbedienung, um den Wecker verstummen zu lassen. Wenn Sie einen Wecker so eingestellt haben, dass er täglich oder mehr als einmal ertönt, wird das Weckersymbol weiterhin auf dem Bildschirm angezeigt.
- **Wecker auf SNOOZE (SCHLUMMER) stellen**
Wenn Ihr Wecker klingelt, drücken Sie eine beliebige Taste außer **STANDBY** oder **WECKER**, um den Wecker verstummen zu lassen und ihn in den Mode **SNOOZE (SCHLUMMER)** zu versetzen. Die Funktion **SNOOZE (SCHLUMMER)** lässt den Wecker des Radios nach 5 Minuten erneut erklingen.

HINWEIS: Deaktivieren Sie die Funktion **SNOOZE (SCHLUMMER)** des Weckers, indem Sie die Taste **WECKER** oder **STANDBY** drücken.

- **Schlummer-Wecker**
 - Nach der Auswahl der Option **„Wecker“** in den Einstellungen oder nach Drücken der Taste **WECKER** auf der Fernbedienung wählen Sie **„Schlummer-Wecker(Aus)“**.
 - Wählen Sie, für wie viele Minuten der Schlummer-Wecker eingestellt werden soll – es stehen folgende Optionen zur Verfügung: Aus, 5 Minuten, 10 Minuten, 20 Minuten, 30 Minuten, 60 Minuten, 90 Minuten, 120 Minuten.
- **Wecker-Lautstärke**
 - Ändern Sie die Wecker-Lautstärke durch Drehen des **Lautstärkeknopfs** oder durch Drücken der Tasten **LINKS/RECHTS**.
 - Sobald Sie die gewünschte Wecker-Lautstärke ausgewählt haben, drücken Sie zur Bestätigung die Taste **OK**.

Timer

- Unter **„Einstellungen“** wählen Sie die Option **„Timer“** und es wird ein Bildschirm mit 00:00 angezeigt.

- Um die Sekunden hochzuschalten, drücken Sie die Taste **RECHTS**. Um die Sekunden herunterzuschalten, drücken Sie die Taste **LINKS**. Drücken und halten Sie die Tasten **LINKS/RECHTS**, um schnell durch den Timer zu blättern.
- Sobald Sie den Timer richtig ausgewählt haben, bestätigen Sie Ihre Auswahl mit der Taste **OK**.

Sprache

Wählen Sie Ihre gewünschte Sprache aus der Liste.

Dimmer

- Um die Helligkeit Ihres Radios einzustellen, gehen Sie zu **„Einstellungen“** und wählen Sie **„Dimmer“**. Sie können den Mode **„Energiesparmodus“** oder **„Einschalten“** auswählen.
- Wählen Sie den Mode **„Energiesparmodus“**, um eine Helligkeitsstufe zu verändern – es stehen 20 Stufen zur Auswahl. Wenn es beim Radio 15 Sekunden lang keine Aktivität gibt, wird diese niedrigere Helligkeitsstufe eingestellt, bis eine Taste gedrückt und die Einstellung **„Einschalten“** aktiviert wird.
- Wählen Sie den Mode **„Einschalten“** für die hellste Helligkeit, wenn das Radio aktiv ist und benutzt wird.
- Sie können auch zwischen zwei Helligkeitseinstellungen umschalten, indem Sie auf der Fernbedienung oder direkt auf der Frontblende die Taste **DIMMER** drücken.

Anzeige

Wählen Sie für die Anzeige **Farbe** oder **Monochrom**.

Energieeinstellungen

Wählen Sie diese Option für die Einstellung, ob das Radio automatisch in den Standby-Mode schalten soll, wenn es nicht benutzt wird oder wenn kein WLAN-Signal anliegt. Sie können auswählen, dass das Radio nach **5/15/30 Minuten** in den Standby-Mode schaltet – oder Sie können **„Aus“** wählen, um diese Funktion zu ignorieren.

Sleeptimer

- Um einen Sleeptimer einzustellen, gehen Sie zu den **„Einstellungen“** und wählen **„Sleeptimer“** – Sie können wählen: **Aus, 15, 30, 60, 90, 120, 150, 180 Minuten**.
- Sie können auch wiederholt die Taste **SLEEP** auf der Fernbedienung drücken, um oben rechts auf dem Anzeigebildschirm zwischen den Sleep-Zeiten umzuschalten. Die Optionen sind: **15, 30, 60, 90, 120, 150, 180 Minuten**.
- Sobald der Sleeptimer ausgewählt wurde, wird oben rechts auf dem Anzeigebildschirm der Timer und ein Sleep-Symbol angezeigt.

Zwischenspeicher

Konfigurieren Sie die Zwischenspeicherzeit der Musikwiedergabe: **2/4/8 Sekunden**.

Wetter

- **Lokale-Einstellung:** Wählen Sie Ihren Ort und geben Sie ihn ein.
- **Temperatureinheit:** Wählen Sie ihre bevorzugte Temperaturanzeige **„Celsius“** oder **„Fahrenheit“**.
- **Anzeige bei Standby:** Wählen Sie „Aus“ oder „Ein“, um die Anzeige der Wettervorhersage auf dem Standby-Bildschirm zu aktivieren oder zu deaktivieren. Wenn Sie die Anzeige der Wettervorhersage aktivieren, wird sie alle 10 Sekunden auf dem Standby-Bildschirm angezeigt.

FM-Einstellung

- **Mode:** Sie können den Mode „Mono“ oder „Stereo“ einstellen.
- **Empfindlichkeit:** Wählen Sie die Empfindlichkeitseinstellungen (Suchlauf-Empfindlichkeit/Stereo-Empfindlichkeit).
- (Die Empfindlichkeit ist für das Auto-Umschalten zwischen den Modi Mono und Stereo eingestellt. An einem schwachen Empfangsort schaltet das System automatisch in den Mono-Mode um, um das Hintergrundgeräusch des Senders zu verringern und so den Hörgenuss zu verbessern.)

Lokale-Station-Einstellung

Stellen Sie Ihren Standort manuell für die Lokale Station ein, anstelle beim

Radio die Funktion „Automatisch erkennen“ zu aktivieren.

Wiedergabe-Einstellung

Wählen Sie den Wiedergabe-Mode des Media-Centers: Aus, Alle wiederholen, Eins wiederholen, Zufällig.

Gerät

Standardname für DLAN ist „AirMusic“. Sie können das Gerät für die DLAN-Einrichtung umbenennen.

Taste

In dieser Einstellungsschnittstelle können Sie „**Wecker**“, „**Dimmer**“, „**Equalizer**“, „**Lokale Station**“, „**Mode**“, „**Voreinstellung**“, „**Sleeptimer**“ und „**Timer**“ wählen, um die Funktion der Taste **MODE** auf der Frontblende und der Fernbedienung zu bestätigen.

Equalizer

EQ Standard ist normal. Sie können ihn zu Mittig, Jazz, Rock, Soundtracks, Klassik, Pop, Nachrichten oder my EQ ändern.

Fortsetzen der Wiedergabe nach Einschalten

Aktivieren Sie die Funktion für das Radio, wenn es eingeschaltet wird. Der Bildschirm bleibt stattdessen im Hauptmenü.

Softwareupdate

Wird hier angezeigt, wenn für das Radio ein Update zur Verfügung steht. Wenn ein Update zur Verfügung steht, wählen Sie es bitte aus, um zu initialisieren.

Auf Werkseinstellung Zurücksetzen

Wählen Sie diese Option, um Ihr Radio zurückzusetzen und alle vorgenommenen Einstellungen und Voreinstellungen rückgängig zu machen. Bestätigen Sie durch die Auswahl von „**YES (JA)**“, dass Sie das Gerät und alle Einstellungen zurücksetzen möchten.

Ton verzerrt

Ursache

- Lautstärke zu hoch

Lösung

- Verringern Sie die Lautstärke

Gewünschter Sender nicht gefunden

Ursache

- Schwaches Signal

Lösung

- Verwenden Sie die manuelle Suchfunktion

Keine DAB-Funktionen

Ursache

- Kein DAB-Empfang in Ihrer Gegend
- Schlechter Empfang

Lösung

- Ausrichtung der Antenne ändern

Das Display ist leer

Ursache

- Dies kann passieren, wenn der Sender die Benennung eines Services ändert oder eine Benennung während der Einstellung löscht

Lösung

- Das Radio wird versuchen, sich neu einzustellen
- Führen Sie einen Suchlauf durch.

Kein Strom

Ursache

- Der Adapter ist nicht mit einer Wandsteckdose verbunden

Lösung

- Vergewissern Sie sich, dass der Adapter eingesteckt ist

Problembehandlung

Dieses Produkt enthält keine Teile, die vom Benutzer gewartet werden können. Setzen Sie sich im Fall eines Defekts mit dem Hersteller oder der autorisierten Kundenabteilung in Verbindung. Teile aus dem Inneren des Geräts freizulegen kann lebensgefährlich sein. Die Garantie der Hersteller gilt nicht für Defekte, die durch von nicht autorisierte Dritten durchgeführte Reparaturen entstehen.

Kein Ton

Ursache

- Lautstärke nicht aufgedreht

Lösung

- Stellen Sie den Lautstärkereger hoch

Kein Sound über die Bluetooth-Verbindung

Lösung

- Überprüfen Sie, ob das externe Gerät zunächst das Passwort „0000“ benötigt.

WLAN verbindet nicht

Lösung

- Vergewissern Sie sich, dass der WLAN-Mode in den Einstellungen ausgewählt wurde und Sie für Ihr WLAN-Modem den richtigen Passcode eingegeben haben.

Statisches Geräusch

Ursache

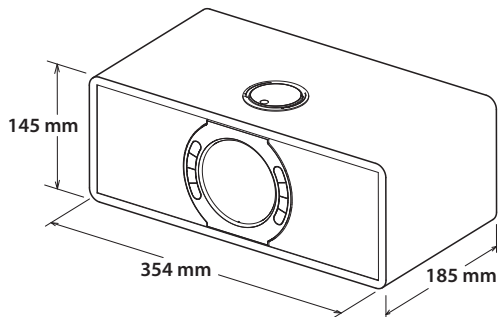
- Signalempfang zu niedrig.

Lösung

- Richten Sie die Antenne anders aus oder stellen Sie das Gerät an einen Ort mit einem stärkeren Signal

Technische Angaben

Modell	DR-I470
Ausgangsstrom	2x7W (RMS)
Stromverbrauch (max.)	28W
Stromverbrauch (standard)	8W
Stromverbrauch im Stand-by	<1W
FM-Frequenz	87.5-108MHz
Frequenz DAB+	174.928-239.200MHz
Bluetooth	
Version	V2.1+ EDR
Frequenzbänder	2402 MHz ~ 2480 MHz
Maximaler übertragener Strom	4dBm
Netzadapter	
Modellname:	FJ-SW1202000N
Eingang:	AC 100-240V ~ 50/60Hz, 0.6A Max
Ausgang:	DC 12V ≈ 2000mA
Hersteller:	SHENZHEN FU JIA APPLIANCE CO., LTD B1,Xujing chang Industrial Park, Haoye Road, Fuyong 518103 Shenzhen, China
WIFI	
WLAN-Verbindung:	802.11 b/g/n; STA/AP/AP Client



KG 3,16kg

Instrucciones de seguridad importantes

Lea estas instrucciones de seguridad y respete las siguientes advertencias antes de utilizar el aparato:



La finalidad de la marca de admiración dentro de un triángulo equilátero es avisar al usuario de la presencia de instrucciones importantes de uso y mantenimiento (servicio) en el manual que acompaña al aparato.



Utilice la fuente de alimentación enumerada en el manual de usuario.



Este símbolo significa que el producto debe eliminarse de manera respetuosa con el medio ambiente y no con los residuos domésticos generales.



Tensión de CA



Tensión de CC



Equipo de clase II



Solo para uso en interiores



Etiquetado de eficiencia energética de nivel VI



Polaridad del conector de corriente continua

Para evitar incendios mantenga siempre las velas u otras llamas al descubierto lejos del producto.



Advertencia:

- Respete siempre las precauciones básicas de seguridad cuando utilice este electrodoméstico, especialmente cuando si hay niños presentes.
- Los niños deben ser supervisados para asegurarse de que no juegan con el aparato.
- No dañe el cable de alimentación, no coloque objetos pesados encima, no lo estire ni lo doble. No conecte alargadores. Los daños en el cable de alimentación pueden ocasionar incendios o descargas eléctricas.
- Si el cable de alimentación presenta algún daño, deberá ser sustituido por el fabricante, el servicio técnico o personas con una cualificación similar para evitar que se produzcan situaciones de peligro.
- Asegúrese de que la unidad está conectada a una toma de corriente de CA de 100-240 V y 50/60 Hz. El uso de una tensión superior puede causar el mal funcionamiento de la unidad o incluso presentar riesgo de incendio.
- Si el enchufe de corriente no entra en la toma, no lo fuerce.
- Apague la unidad antes de desenchufarla de la corriente para desconectarla por completo.
- No conecte ni desconecte el cable de alimentación con las manos mojas, ya que podría producirse una descarga eléctrica.
- Desconecte el cable de alimentación si la unidad no se va a utilizar durante un periodo prolongado de tiempo.
- Si la unidad no se va a usar durante un largo periodo de tiempo, desconéctela de la alimentación.
- Asegúrese de que el enchufe de alimentación resulta fácilmente accesible.
- Este producto no contiene ninguna pieza que pueda ser reparada por el usuario. En caso de avería, póngase en contacto con el fabricante o el servicio técnico autorizado. La exposición de ciertas partes internas del dispositivo puede poner en peligro su vida. La garantía del fabricante no cubre las averías resultantes de reparaciones llevadas a cabo por terceros.

- No utilice este producto inmediatamente tras desembalar. Espere a que se caliente a la temperatura ambiente antes de utilizarlo.
- Asegúrese de utilizar el producto en climas moderados únicamente (no en climas tropicales o subtropicales).
- Coloque el producto en una superficie plana estable y no expuesta a vibraciones.
- Asegúrese de que el producto y sus partes no sobresalen de los bordes del mueble sobre el que se coloca.
- Para reducir el riesgo de incendio, descarga eléctrica o daño en el producto, no lo exponga directamente a la luz del sol, polvo, lluvia o humedad. No exponga nunca este producto a gotas o derramamientos y no coloque objetos llenos de líquido sobre o cerca de este.
- No coloque objetos con líquidos, como jarrones, sobre el aparato.
- No instale el aparato cerca de ninguna fuente de calor, como radiadores, salidas de aire caliente, estufas u otros aparatos (incluidos amplificadores) que produzcan calor.
- No coloque el producto en espacios húmedos o con ventilación deficiente.
- Asegúrese de dejar una distancia mínima de 5 cm en torno al aparato para garantizar una ventilación adecuada. No obstruya las aberturas de ventilación de este producto. Evite siempre la obstrucción de las ranuras de ventilación con objetos como periódicos, manteles, cortinas, etc.
- No permita que nadie, especialmente los niños, introduzca elementos en los orificios, ranuras ni en ninguna apertura de la carcasa de la unidad, ya que podrían dar lugar a descargas eléctricas mortales.
- Las tormentas son peligrosas para todos los aparatos eléctricos. Si el cable de alimentación o el cableado de la antena es alcanzado por un rayo, el aparato puede resultar dañado, incluso si no está encendido. Debe desconectar todos los cables y conectores del aparato antes de una tormenta.
- La presión acústica excesiva de los auriculares y los cascos puede causar la pérdida del sentido auditivo.

Mantenimiento

- Desenchufe el cable de alimentación de la toma de corriente antes de limpiar la unidad.
- Utilice un paño suave y limpio para limpiar la parte exterior de la unidad. No utilice nunca productos químicos ni detergentes.

Adaptador de corriente

- Para desconectar la unidad del suministro eléctrico, desenchufe el cable de la toma de corriente.
- Utilice únicamente el adaptador de red suministrado, de lo contrario podrían producirse riesgos para la seguridad o daños en la unidad.

Pilas

- Tenga en cuenta la polaridad correcta al insertar las pilas.
- No exponga las pilas a altas temperaturas y no las coloque en lugares en los que la temperatura pueda experimentar cambios bruscos, p. ej., cerca de un fuente de fuego o en contacto directo con la luz solar.
- No exponga las pilas a calor radiante excesivo, no las arroje al fuego, no las desmonte y no intente recargar pilas no recargables, ya que podrían producirse fugas o explotar.
- No combine nunca pilas de diferente tipo y no mezcle pilas nuevas y pilas viejas.
- Si el mando a distancia no se va a utilizar durante un largo periodo de tiempo (más de un mes), retire la pila para evitar fugas.
- Si las baterías presentan fugas, limpie la parte interior del compartimento y sustitúyalas por pilas nuevas.
- No utilice pilas diferentes a las especificadas.

No ingiera las pilas, ya que pueden causar quemaduras químicas.

- La ingestión de pilas puede causar quemaduras internas graves en tan solo 2 horas y producir la muerte. Mantenga las pilas nuevas y usadas



lejos de los niños. Si el compartimiento de la pila no se cierra correctamente, deje de usar el producto y manténgalo alejado de los niños. Si cree que se pueden haber tragado las pilas o introducido en alguna parte del cuerpo, busque atención médica inmediatamente.

Eliminación de este equipo y las pilas

- No elimine este producto o sus pilas como residuos urbanos no clasificados. Entréguelos en un punto de recogida designado para el reciclado de aparatos electrónicos y eléctricos de acuerdo con la ley local. De esta forma, ayudará a conservar los recursos y a proteger el medio ambiente.
- La mayor parte de los países de UE regulan la eliminación de las pilas mediante leyes. Póngase en contacto con su distribuidor y con las autoridades locales para obtener más información.



- El símbolo anterior mostrado en equipos eléctricos y electrónicos (o en el embalaje) tiene por objeto recordar a los usuarios esta circunstancia.
- Se solicita a los usuarios que utilicen las instalaciones de devolución existentes para equipos usados.

Declaración CE:

- Por la presente, UMC Poland sp. z o.o. declara que este dispositivo sonoro cumple los requisitos esenciales y otras disposiciones pertinentes de la Directiva RED 2014/53/UE. El texto completo de la declaración de conformidad de la UE está disponible en el siguiente enlace <http://www.sharpconsumer.eu/documents-of-confirmity>

Marcas comerciales:



La marca denominativa *Bluetooth*[®] y sus logotipos son marcas comerciales propiedad de Bluetooth SIG, Inc.



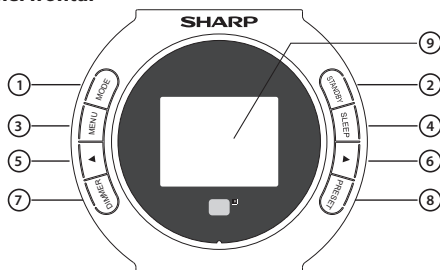
El Wi-Fi CERTIFIED Logo es una marca de certificación de la Wi-Fi Alliance.

Contenido de la caja

- 1 unidad
- 1 Mando a distancia
- 1 manual de instrucciones
- 1 adaptador de corriente
- 1 adaptador de enchufe de CA para el Reino Unido
- 1 adaptador de enchufe de CA para la UE

Paneles y controles

Panel frontal



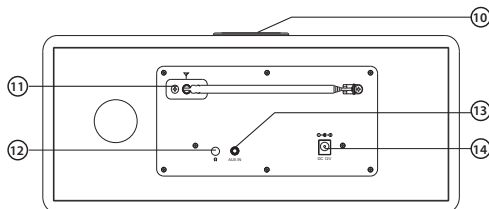
- 1. MODE:** pulse para cambiar entre los modos DAB/DAB+, FM, Radio por Internet, Bluetooth, AUX IN.

También se puede configurar con otra función desde el menú <Botón> en **CONFIGURACIÓN:** Alarma, Brillo, Ecualizador, Radio local, Modo, Preajuste, Apagado automático, Temporizador.

NOTAS: La función predeterminada de este botón es el cambio de modo.

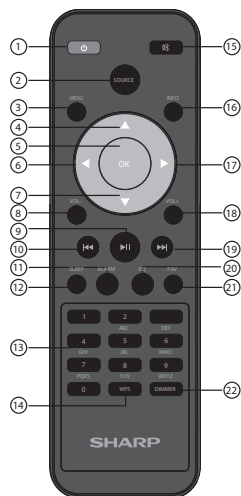
- 2. STANDBY:** pulse este botón para encender la unidad o entrar en el modo de espera.
- 3. MENU:** Presione este botón para ingresar a la interfaz de configuración del MENÚ.
- 4. SLEEP:** pulse este botón repetidamente para establecer el tiempo de apagado automático.
- 5. ◀:** En la pantalla de ajustes, pulse este botón para ir a la selección anterior. Con la radio encendida, este botón permite reducir la frecuencia en incrementos de 0,05 MHz.
- 6. ▶:** En la pantalla de ajustes, pulse este botón para ir a la selección siguiente. Con la radio encendida, este botón permite aumentar la frecuencia en incrementos de 0,05 MHz.
- 7. DIMMER:** pulse este botón para establecer el nivel de retroiluminación.
- 8. PRESET:** en el modo de reproducción de radio por Internet, pulse este botón para cambiar a la pantalla Emisora de radio/música.
- 9. PANTALLA DE VISUALIZACIÓN:** Muestra información.

Panel posterior



- 10. Control de volumen/control de selección/botón OK:** al reproducir, gire el control para ajustar el volumen. Al ajustar el menú, gire el control para seleccionar las opciones; pulse para confirmar la selección.
- 11. Antena de FM:** permite recibir la señal de FM.
- 12. Conector de auricular:** conector de auricular de 3,5 mm.
- 13. Conector AUX IN:** permite conectar el cable de audio de 3,5 mm para disfrutar de música de audio externa.
- 14. Conexión de corriente continua:** CC de 12 V

Mando a distancia



- 1. STANDBY:** pulse el botón **STANDBY** del mando a distancia para activar la unidad o cambiar al modo de espera.
- 2. SOURCE:** Presione el botón **SOURCE** para cambiar los modos de reproducción: DAB / DAB +, FM, AUX IN, Bluetooth, Radio por Internet.
Nota: Este botón se puede usar como otra función configurando desde el elemento <Botón> en la **CONFIGURACIÓN:** Alarma, Atenuador, Ecualizador, Radio local, Modo, Preselección, Temporizador de apagado, Temporizador.
- 3. MENU:** pulse el botón **MENU** del mando a distancia o del panel frontal para acceder al menú de reproducción; pulse los botones de **DIRECCIÓN** o gire el control de selección para navegar por el menú: Radio por Internet, Centro multimedia, FM, DAB/DAB+, Centro de información, AUX, Bluetooth, Configuración, Emisora de radio/música.
- 4. ARRIBA / 5. OK / 6. IZQUIERDA / 7. ABAJO / 17. DERECHA:** desplácese con los botones **ARRIBA** y **ABAJO** o gire el control de selección para navegar por las opciones. A continuación, pulse el botón **OK** para confirmar la selección.
- 8. VOL- / 18. VOL+:** para ajustar el volumen, puede pulsar los botones **VOL+** y **VOL-**, o girar directamente el control de volumen.
- 10. ANTERIOR / 19. SIGUIENTE:** al reproducir música, pulse los botones **ANTERIOR** o **SIGUIENTE** para saltar a la canción anterior o a la siguiente. Al escuchar una radio, pulse los botones **ANTERIOR** o **SIGUIENTE** para saltar a la emisora preferida anterior o siguiente.
- 9. REPRODUCCIÓN/PAUSA:** pulse el botón **REPRODUCCIÓN/PAUSA** para poner en pausa la reproducción y pulse de nuevo para reanudar.
- 11. ALARM:** pulse el botón **ALARM** para ver y crear las opciones de alarma.

- 12. SLEEP:** pulse el botón **SLEEP** repetidamente para seleccionar la hora de apagado automático.
- 13. NÚMEROS/LETRAS:** introduzca números o letras al ajustar el menú.
- 14. WPS – WPS Ajustes**
- 15. MUTE:** pulse el botón **MUTE** para silenciar el sonido; vuelva a pulsar o pulse los botones **VOL+/-** del mando a distancia o gire el control del volumen situado en el panel superior para reanudar.
- 16. INFO:** pulse el botón **INFO** para consultar la información de la emisora.
- 20. EQ:** pulse el botón **EQ** repetidamente para seleccionar diferentes modos de sonido: Normal, Neutro, Jazz, Rock, Banda sonora, Clásica, Pop, Noticias, my EQ.
- 21. FAV:** mantenga pulsado el botón **FAV** para guardar la emisora. Pulse el botón **FAV** para ver las emisoras favoritas que se han guardado.
- 22. DIMMER:** pulse el botón **DIMMER** para seleccionar el nivel de retroiluminación

Instalación o cambio de las pilas del mando a distancia

1. Presione el cierre de la tapa de las pilas en dirección de la flecha en relieve que aparece en la parte posterior del mando a distancia.
2. Mientras presiona el cierre, abra la tapa de las pilas.
3. Introduzca dos pilas fijándose en la polaridad +, tal como se indica. Al cambiar las pilas, utilice solamente el mismo tipo de pila suministrado.
4. Vuelva a colocar la tapa de las pilas y ciérrela.

Encender la radio de Internet

Enchufe el adaptador de alimentación a la conexión DC IN. A continuación, aparecerá el mensaje **Welcome** (Bienvenido) en la pantalla.

Asegúrese de extender la antena todo lo posible para obtener la mejor señal posible.

Tras la pantalla de bienvenida y si esta es la primera vez que utiliza la radio, podrá seleccionar el idioma deseado con el **control de selección** y confirmar su selección con el botón **OK**.

Tras ajustar el idioma, la pantalla mostrará **¿Habilitar la función**

Comprobar red al encender? Puede seleccionar **SÍ** o **NO** para decidir si desea que la unidad compruebe la red al encenderse.

Configuración WiFi manual

Tras el ajuste anterior, la pantalla mostrará **¿Desea configurar la red ahora?**

- Si selecciona **SÍ**, la radio empezará a explorar redes cercanas a las que conectarse. Tras la exploración, seleccione la red a la que desea conectarse. A continuación, introduzca letras o números desplazándose con el **control de selección** o pulse los botones de **NÚMEROS/LETRAS** hasta que se muestre el dígito correcto y pulse el botón **DERECHA** para avanzar al siguiente. Cuando haya terminado, pulse el botón **OK** para confirmar.
- Si selecciona **NO** puede configurar esta función más tarde en los ajustes de configuración.

Red inalámbrica (WPS PBC)

Cuando se encuentre en la fase **¿Le gustaría configurar la red ahora?**, si selecciona **SÍ (WPS)** la radio empezará a buscar conexiones WiFi.

Con esta función seleccionada, tendrá 120 segundos para pulsar el botón **WPS** de su módem WiFi. Esta operación conectará la red WiFi a su radio deseada sin tener que escribir ninguna contraseña.

Conexión WiFi completada

Una vez completada la conexión WiFi mediante la introducción manual de la contraseña WiFi a través de WPS, será dirigido a la pantalla del menú principal, donde aparecerá la señal WiFi en color blanco en la parte superior izquierda. Tras ello la radio por Internet queda configurada.

Radio por Internet

Utilice los botones **IZQUIERDA/DERECHA** o gire el **control de selección** para escoger **<Radio por Internet>** en la pantalla de menú y pulse el botón **OK** para acceder. Encontrará varias opciones:

Mis favoritos Sus emisoras favoritas se guardarán aquí para escucharlas fácilmente. Puede pulsar el botón **FAV** directamente para ver la lista de emisoras favoritas.

Emisora de radio/música: Seleccione esta opción para desplazarse por las emisoras de radio por Internet organizadas en categorías de: Global Top 20, Genre, Country/Location, Highlight. Busque emisoras en las categorías relevantes y seleccione

la emisora de Internet deseada pulsando el botón **OK**.

Radio local: La radio se configura automáticamente para detectar las principales 10 emisoras de su país, todas las emisoras o una variedad de géneros clasificados en categorías por orden alfabético. Seleccione la categoría que desea escuchar con el botón **OK** y continúe explorando hasta que encuentre la emisora deseada.

Radio para dormir: Seleccione entre varios sonidos de relajación.

Historia: Examine emisoras escuchadas recientemente.

Servicio: Buscar emisora de radio o Agregar nueva emisora de radio

- Puede utilizar los botones de **NÚMEROS/LETRAS** para buscar la emisora de radio.
- Para agregar una nueva emisora de radio, utilice los botones de **NÚMEROS/LETRAS** para resaltar el carácter elegido y pulse el botón **DERECHA** para pasar al siguiente. Para volver a un carácter anterior, pulse el botón **IZQUIERDA** para resaltarlo. Pulse el botón **OK** para buscar la emisora de Internet.

Guardé sus emisoras de radio por Internet favoritas

Cuando haya encontrado la emisora deseada, pulse el botón **FAV** para acceder a la pantalla de visualización

Agregar a mis favoritos. Gire el **control de selección** o pulse los botones **ARRIBA/ABAJO** para seleccionar el número de preajuste y pulse el botón **OK** para confirmar su opción.

Radio FM

El rango de frecuencia FM oscila entre 87,5 MHz y 108,00 MHz.

Extienda la antena para captar la señal más intensa de cada emisora

Utilice los botones **IZQUIERDA/DERECHA** o gire el **control de selección** para escoger **<FM>** en la pantalla de menú y pulse el botón **OK** para acceder a la pantalla de FM

Sintonización de emisoras

Pulse los botones **ARRIBA/ABAJO** del mando a distancia o del panel frontal para ajustar la frecuencia arriba o abajo en incrementos de **0,05** MHz.

Pulse los botones **IZQUIERDA/DERECHA** del mando a distancia para saltar a la emisora anterior o siguiente de recepción más intensa. Una vez encontrada una emisora, la exploración se detendrá automáticamente.

Pulse el botón **OK**. Al hacerlo, aparecerá en pantalla el mensaje

Exploración automática. Si selecciona **SÍ**, la radio empezará a buscar emisoras desde la frecuencia más baja a la más alta y guardará las emisoras que encuentre automáticamente.

Almacenamiento de emisoras

Para guardar su emisora favorita, debe escucharla, pulsar el botón **FAV** del mando a distancia y, a continuación, utilizar los botones **ARRIBA/ABAJO** o girar el **control de selección** para escoger el dígito que desea guardar. A continuación, pulse el botón **OK** para confirmar el preajuste.

Recuperación de una emisora almacenada

1. Pulse los botones **ANTERIOR/SIGUIENTE** del mando a distancia para saltar a la emisora preajustada anterior o siguiente.
2. También puede pulsar el botón **FAV** para seleccionar la emisora almacenada y pulsar **OK** para escucharla.

DAB/DAB+

Utilice los botones **IZQUIERDA/DERECHA** o gire el **control de selección** para escoger **<DAB/DAB+>** en la pantalla de menú y pulse el botón **OK** para acceder al modo DAB/DAB+.

La primera vez que utilice el modo DAB en la radio, el dispositivo empezará a explorar emisoras DAB y mostrará **Explorando** en la pantalla de visualización. Se mostrará el número de emisoras encontradas a medida que progresa la búsqueda.

Una vez encontradas todas las emisoras disponibles, aparecerán en la pantalla. Use el **control de selección** para desplazarse y resaltar la estación

deseada. Seleccione la emisora pulsando el botón **OK**.

Cuando haya seleccionado una emisora, la pantalla mostrará su información e iniciará la reproducción.

Para seleccionar la emisora anterior o posterior, pulse el botón **ANTERIOR** o **SIGUIENTE** según el sentido de desplazamiento deseado.

Cuando se encuentre en la emisora deseada, pulse el botón **INFO** para mostrar la información de la emisora. La pantalla mostrará información automáticamente e indicará el género, MHz, la canción que se está reproduciendo, KHz y Kbps.

Para volver a la lista y desplazarse a través de ella manualmente, pulse el botón **IZQUIERDA**.

Programación de estaciones DAB/DAB+ favoritas

Cuando haya encontrado su emisora favorita, pulse el botón **FAV** durante unos segundos para acceder a la pantalla **Agregar a mis favoritos**. Gire el **control de selección** para seleccionar el número de emisora preajustada y pulse el botón **OK** para confirmar.

Alternativamente, cuando se encuentre en la pantalla de lista de emisoras DAB, puede resaltar la emisora seleccionada y mantener pulsado el botón **FAV** para seguir las indicaciones que se muestran por encima.

Para ver las emisoras favoritas preajustadas, pulse el botón **FAV** y utilice los botones **ARRIBA** o **ABAJO** para desplazarse por la lista de emisoras preajustadas.

Centro de información

Utilice los botones **IZQUIERDA/DERECHA** o gire el **control de selección** para escoger **<Centro de información>** en la pantalla del menú y pulse el botón **OK** para acceder a la pantalla del Centro de información

Información sobre meteorología: Para seleccionar la información sobre meteorología de un lugar concreto, escoja primero el continente con ayuda del **control de selección** para desplazarse entre las opciones y, a continuación, pulse el botón **OK** para confirmar. Tras ello, seleccione el país y después la ciudad o localidad.

Tras seleccionar la ciudad o localidad, se mostrará la siguiente información: temperatura actual, imagen con el símbolo de meteorología e intervalo de temperaturas aproximadas para los siguientes 5 días.

Información financiera: Selección de un conjunto de mercados bursátiles del mundo. Utilice el

control de selección para desplazarse y pulse el botón **OK** para confirmar.

Información del sistema: Vea la versión del sistema y la información de conexión inalámbrica. Si se selecciona la información inalámbrica, se visualizarán datos como la intensidad de la señal WiFi.

Funcionamiento de la función AUX

AUX IN

Utilice los botones **IZQUIERDA/DERECHA** o gire el **control de selección** para escoger **<AUX>** en la pantalla de menú y pulse el botón **OK** para acceder al modo AUX.

Enchufe un cable auxiliar a la radio y conéctelo a través del puerto AUX IN en la parte posterior de la radio. Empiece a reproducir audio desde su dispositivo y este se escuchará en la radio cuando se encuentre en modo AUX.

Salida de línea (altavoces)

En el panel posterior de la radio, la **conexión de altavoces** permite escuchar el audio desde la radio. Empiece a reproducir audio desde los modos Radio por Internet, Centro multimedia, AUX o Bluetooth.

Bluetooth

Utilice los botones **IZQUIERDA/DERECHA** o gire el **control de selección** para escoger **<Bluetooth>** en la pantalla de menú y pulse el botón **OK** para acceder al modo AUX.

1. Vaya a los ajustes de su dispositivo para conectarlo a la radio a través de Bluetooth.

2. Seleccione el nombre **SHARP DR-1470** en la lista de dispositivos encontrados desde su unidad. Una vez correctamente conectada, la radio indicará **Conectado** y aparecerá **Conectado a Bluetooth** en la pantalla.
3. Seleccione el audio deseado en su dispositivo y reproduzca.
4. A continuación podrá disfrutar de la música desde la unidad.
5. Para cancelar el emparejamiento, seleccione otro modo de reproducción o desactive la función Bluetooth de su dispositivo.

Configuración

Utilice los botones **IZQUIERDA/DERECHA** o gire el **control de selección** para escoger **<Configuración>** en la pantalla del menú principal y pulse el botón **OK** para acceder a los ajustes de configuración.

Visualización de la hora

Establezca el tipo de pantalla de hora: Analógica o digital.

Emisora de audio/música

Establezca la función en habilitar o deshabilitar

Red

- **Configuración de red inalámbrica**
 - En los ajustes de red, puede configurar una conexión WiFi seleccionando Configuración de red inalámbrica. A continuación, la radio empezará a buscar conexiones WiFi disponibles.
 - Busque su conexión WiFi y selecciónela con el botón **OK**. Para introducir letras o números, utilice el **control de selección** o pulse los botones de **LETRAS/NÚMEROS** hasta que se muestre el dígito correcto. A continuación, pulse el botón **DERECHA** para avanzar al siguiente dígito. Pulse el botón **IZQUIERDA** si desea retroceder al dígito anterior. Cuando haya terminado, pulse el botón **OK** para confirmar.
 - Una vez conectado a la WiFi deseada, aparecerá la pantalla del menú principal y la señal WiFi se mostrará en color blanco en la esquina superior izquierda.
- **Red inalámbrica (WPS PBC)**
 - Seleccione esta opción para buscar la conexión WiFi. Con esta función seleccionada, dispondrá de 120 segundos para pulsar el botón WPS de su módem WiFi. Esta operación conectará la red WiFi deseada a su radio sin tener que introducir ninguna contraseña.
- **Configuración manual**
 - Puede establecer manualmente los datos inalámbricos: DHCP, introducir SSID y gestionar.
- **Comprobar red al encender**
 - Establezca esta función en Habilitar o Deshabilitar

Fecha y hora

- **Establecer fecha y hora**
 - **Configuración manual o Detección automática**

Puede ajustar manualmente la hora y la fecha en lugar de utilizar la función de detección automática. Gire el **control de selección** o pulse los botones de dígitos para introducir el dígito deseado del mes. Una vez introducido el dígito correcto, pulse en el botón **DERECHA** para avanzar al ajuste del día. Continúe este proceso con el año, la hora y los minutos. Una vez ajustada la hora y la fecha, pulse el botón **OK** para introducirlo. Para cancelar el formato de fecha y hora, puede cambiar estos ajustes en la función Fecha y hora.
 - **Establecer formato de hora:** Permite establecer el formato de la hora en 12 horas o 24 horas.
 - **Establecer formato de fecha:** AAAA/MM/DD, DD/MM/AAAA, MM/DD/AAAA

Alarma

- **Ajustar la alarma 1 y la alarma 2**
 - Para configurar una alarma en la radio, vaya a **Configuración** y desplácese para seleccionar **Alarma** o pulse el botón **ALARM** del mando a distancia directamente.
 - Tras acceder a la pantalla de ajuste Alarma, seleccione **Alarma 1 (Desactivar)** o **Alarma 2 (Desactivar)** y seleccione **Activar** para activar la alarma.

- Seleccione Repetir para especificar la regularidad de la alarma pulsando el botón **OK**. Puede seleccionar Todos los días, Una vez o escoger días individuales en los que desea que suene la alarma. Tras completar la selección, pulse el botón **IZQUIERDA** para volver a otros ajustes de alarma.
- Seleccione **Hora** y gire el **control de selección** para resaltar la hora de la alarma. Tras seleccionar la hora deseada, pulse el botón **DERECHA** para cambiar los minutos.
- Tras establecer los minutos en el valor correcto, pulse el botón **DERECHA** para cambiar a **AM** o **PM**, y pulse el botón **OK** para confirmar o volver a los ajustes de alarma.
- A continuación, desplácese hacia abajo y seleccione **Sonido** pulsando el botón **OK**. A continuación, puede seleccionar entre pitido, melodía, Radio por Internet, FM o DAB/DAB+.
- Si está ajustando la alarma de sonido como Radio por Internet, FM o DAB/DAB+, se le presentarán sus emisoras favoritas preajustadas. Seleccione la emisora para la alarma seleccionada pulsando el botón **OK**.
- Se mostrará el símbolo de alarma en la pantalla de visualización principal.
- **Cancelación de una alarma**
 - Para cancelar una alarma, seleccione **Alarma** en Configuración o pulse el botón **ALARM** del mando a distancia y seleccione la alarma que desea desactivar.
 - Una vez seleccionada la alarma, podrá activarla o desactivarla. Resalte la opción **Desactivar** y pulse el botón **OK** para confirmar.

NOTA: Puede cambiar el volumen de la alarma en el ajuste

Volumen de alarma de la pantalla de ajuste Alarma.

• Apagar alarma cuando suena

Cuando la alarma suena, pulse **ALARM** o el botón **STANDBY** del mando a distancia para detener la alarma. Si ha configurado la alarma para que suene todos los días o más de una vez, el icono de alarma se mantendrá en la pantalla de visualización.

• Posponer la alarma

Cuando la alarma suena, pulse cualquier botón salvo **STANDBY** o **ALARM** para detener el sonido y activar el modo **POSPONER**. La función **POSPONER** encenderá la radio de nuevo transcurridos cinco minutos.

NOTA: Puede detener el modo de alarma **POSPONER**

pulsando el botón **ALARM** o el botón **STANDBY**.

• Alarma de siesta

- Tras seleccionar la opción **Alarma** en Configuración o el botón **ALARM** del mando a distancia, seleccione **Alarma de siesta (Desactivar)**.
- Seleccione cuántos minutos le gustaría tener activa la alarma de siesta con las siguientes opciones: Desactivar, 5 minutos, 10 minutos, 20 minutos, 30 minutos, 60 minutos, 90 minutos y 120 minutos.

• Volumen de alarma

- Puede cambiar el volumen de la alarma girando el **control de volumen** o los botones **IZQUIERDA** /**DERECHA** para cambiar.
- Una vez seleccionado el volumen de sonido correcto, pulse el botón **OK** para confirmar.

Temporizador

- En **Configuración**, seleccione **Temporizador** y en la pantalla aparecerá 00:00.
- Para aumentar los segundos, seleccione el botón **DERECHA**. Para reducir los segundos, seleccione el botón **IZQUIERDA**. Mantenga pulsado los botones **IZQUIERDA/DERECHA** para avanzar a través del temporizador rápidamente.
- Una vez seleccionada el tiempo deseado para el temporizador, pulse el botón **OK**.

Idioma

Seleccione su idioma en la lista.

Brillo

- Para establecer el brillo de la radio, vaya a **Configuración** y seleccione **Brillo**. Puede escoger entre **Ahorro de energía** o **Activar**.
- Seleccione el modo **Ahorro de energía** para cambiar a uno de los niveles de brillo de entre 20 disponibles. Cuando no se utiliza la radio

durante 15 segundos, se activará el nivel de brillo más bajo hasta que se pulse un botón, momento en el que se activará el ajuste **Activar**.

- Seleccione el modo **Activar** para que sea el brillo seleccionado cuando se use la radio o esté activa.
- Alternativamente, puede escoger entre dos ajustes de brillo pulsando el botón **DIMMER** del mando a distancia en el panel frontal directamente.

Pantalla

Seleccione entre las opciones **Color** o **Monocromo**.

Administración de la energía

Seleccione esta función para configurar la radio o entrar en modo de espera automáticamente tras un tiempo establecido de inactividad o si no hay señal WiFi. Puede escoger entre **5/15/30 minutos** para entrar en modo de espera o puede seleccionar **Desactivar** para ignorar esta función.

Apagado automático

- Para ajustar el apagado automático, vaya a **Configuración** y seleccione **Apagado automático**. Puede elegir entre **Desactivar**, **15, 30, 60, 90, 120, 150 y 180 minutos**.
- También puede pulsar repetidamente el botón **SLEEP** del mando a distancia para cambiar entre horas de sueño en la parte superior de la pantalla de visualización. Se puede escoger entre **15, 30, 60, 90, 120, 150 y 180 minutos**.
- Una vez seleccionado el modo de apagado automático, se mostrarán el tiempo del temporizador y una imagen de sueño en la parte superior de la pantalla de visualización.

Búfer

Configure el tiempo de búfer de la reproducción de música: **2/4/8 segundos**.

Meteorología

- **Establecer ubicación:** Seleccione e introduzca su ubicación.
- **Unidad de temperatura:** Seleccione el modo preferido para visualizar la temperatura entre Celsius o Fahrenheit.
- **Mostrar en modo de espera:** Seleccione Activar o Desactivar la visualización de la previsión meteorológica en la pantalla de espera. Si activa la visualización de la previsión meteorológica, se mostrará en la pantalla de espera cada 10 segundos.

Configuración de FM

- **Modo:** Puede establecer el modo Mono o Estéreo.
- **Umbral:** seleccione los ajustes de sensibilidad (Buscar umbral o Umbral estereo).
- (La sensibilidad cambiará automáticamente entre los modos mono y estereo. En un lugar con recepción débil, el sistema cambiará al modo mono automáticamente para reducir el ruido de fondo de la emisora y permitir que se escuche mejor).

Configuración de radio local

Configure manualmente la ubicación de la radio local en lugar de que la radio utilice la función de detección automática.

Configuración de reproducción

Seleccione el modo de reproducción del Centro multimedia: Desactivar, Repetir todo, Repetir uno, Orden aleatorio

Dispositivo

El nombre predeterminado para DLAN es AirMusic. Puede cambiar el nombre del dispositivo para la configuración de DLAN.

Botón

En esta interfaz de ajuste, puede seleccionar **Alarma**, **Brillo**, **Ecuilizador**, **Radio local**, **Modo**, **Preajuste**, **Apagado automático** y **Temporizador** para confirmar la función del botón **MODE** en el panel frontal y el mando a distancia.

Ecuilizador

El ecualizador predeterminado es el modo normal. Puede cambiar a los modos Neutro, Jazz, Rock, Banda sonora, Clásica, Pop, Noticias o my EQ.

Reanudar cuando encendido

Active esta función para que la radio se reanude al encenderse. En su lugar,

la pantalla permanecerá en el menú principal.

Actualizar software

Aquí se mostrará si existe una actualización disponible de software para la radio. En caso de que exista, selecciónese para iniciar la actualización.

Restablecer valores predeterminados

Seleccione esta opción para restablecer la radio y revertir todos los ajustes y preajustes configurados. Confirme si le gustaría restablecer la unidad y sus ajustes seleccionando **SI**.

Resolución de problemas

Este producto no contiene ninguna pieza que pueda ser reparada por el usuario. En caso de avería, póngase en contacto con el fabricante o el servicio técnico autorizado. La exposición de ciertas partes internas del dispositivo puede poner en peligro su vida. La garantía del fabricante no cubre las averías resultantes de reparaciones llevadas a cabo por terceros.

Sin sonido

Causa

- El volumen no está activado.

Solución

- Ajuste el control de volumen principal.

Sin sonido desde la conexión Bluetooth

Solución

- Compruebe si el dispositivo externo requiere la contraseña 0000 para iniciarse.

La WiFi no se conecta

Solución

- Asegúrese de que está seleccionado el modo WiFi y de que se ha introducido la contraseña correcta para el módem WiFi.

Sonido estático.

Causa

- Recepción de la señal baja

Solución

- Ajuste la antena o mueva la unidad hacia una ubicación con señal más intensa.

El sonido se oye distorsionado.

Causa

- El volumen está demasiado alto.

Solución

- Reduzca el volumen.

No se encuentra la emisora deseada.

Causa

- Señal débil.

Solución

- Utilice la función de sintonización manual.

Sin funciones DAB

Causa

- No hay cobertura DAB en la zona.
- Mala recepción.

Solución

- Ajuste el brillo de la pantalla.

La pantalla se muestra en blanco.

Causa

- Esto puede ocurrir si la emisora cambia la etiqueta de un servicio o elimina una etiqueta al sintonizar.

Solución

- La radio intentará volver a sintonizar.
- Realice una exploración.

El dispositivo no se enciende.

Causa

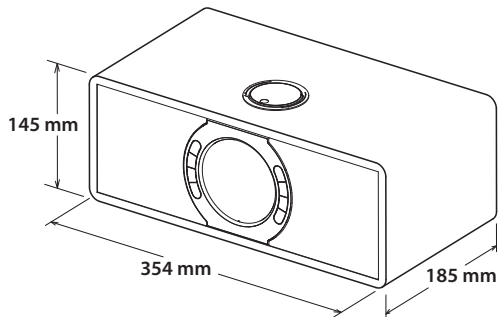
- El adaptador no está conectado a la toma de la pared.

Solución

- Asegúrese de que el enchufe esté conectado.

Especificación técnica

Modelo	DR-I470
Potencia de salida	2x7W (RMS)
Consumo de electricidad (máx.)	28W
Consumo de electricidad (estándar)	8W
Consumo de electricidad en modo en espera	<1W
Frecuencia FM	87.5-108MHz
Frecuencia DAB+	174.928-239.200MHz
Bluetooth	
Versión	V2.1+ EDR
Bandas de frecuencia	2402 MHz ~ 2480 MHz
Potencia máxima transmitida	4dBm
Adaptador de corriente	
Nombre del modelo:	FJ-SW1202000N
Entrada:	AC 100-240V ~ 50/60Hz, 0.6A Max
Salida:	DC 12V =2000mA
Fabricante:	SHENZHEN FU JIA APPLIANCE CO., LTD B1,Xujing chang Industrial Park, Haoye Road, Fuyong 518103 Shenzhen, China
WIFI	
Conexión WiFi	802.11 b/g/n; STA/AP/AP Client



KG 3,16kg

Importanti istruzioni di sicurezza

Vi preghiamo di leggere queste istruzioni di sicurezza e di rispettare le seguenti avvertenze prima di mettere in funzione l'apparecchio:



Il punto esclamativo in un triangolo equilatero serve ad avvertire la presenza di importanti istruzioni operative e di manutenzione nella documentazione che accompagna l'apparecchio.



Usare esclusivamente gli alimentatori elencati nel manuale utente



Questo simbolo significa che il prodotto deve essere smaltito in modo rispettoso dell'ambiente, non insieme ai rifiuti domestici.



Tensione AC



Tensione DC



Apparecchiatura di Classe II



Solo per uso interno



Classificazione di efficienza energetica livello VI



Polarità del connettore di corrente d.c.

Per evitare incendi, tenete sempre lontane dall'apparecchio candele e qualunque altro tipo di fiamma.



Avvertenza:

- Seguire sempre le precauzioni di sicurezza basilari quando si utilizza questo apparecchio, specialmente in presenza di bambini.
- I bambini dovrebbero essere supervisionati per assicurarsi che non giochino con l'apparecchio.
- Non danneggiare il cavo di alimentazione, né riporvi sopra oggetti pesanti, tirarlo o piegarlo. Inoltre, non utilizzare prolunghe. Danni al cavo di alimentazione potrebbero causare incendi o shock elettrici
- Non danneggiare il cavo di alimentazione, né riporvi sopra oggetti pesanti, tirarlo o piegarlo. Inoltre, non utilizzare prolunghe. Danni al cavo di alimentazione potrebbero causare incendi o shock elettrici.
- Se il cavo di alimentazione è danneggiato, deve essere sostituito dal produttore, da un agente di servizio o da persone altrettanto qualificate, in modo da evitare pericoli.
- Assicurarsi che l'unità sia connessa a una presa di corrente CA 100-240V 50/60Hz. Usare un voltaggio superiore può provocare un malfunzionamento dell'unità e persino la formazione di fiamme.
- Se la spina di alimentazione non entra nello zoccolo, non forzarla.
- Spegnerne completamente l'unità prima di disconnetterla dall'alimentazione.
- Non disconnettere o connettere il cavo di alimentazione con le mani bagnate. Può provocare uno shock elettrico.
- Se l'unità non verrà usata per un periodo di tempo prolungato, disconnettere l'alimentazione di corrente.
- Scollegare il cavo di alimentazione se non viene usato per molto tempo.
- Assicurarsi che la presa di corrente sia sempre facilmente accessibile.
- Questo prodotto non ha componenti che possano essere riparate dall'utente. In caso di guasto, contattate il produttore o l'agente di servizio autorizzato. Esporre le parti interne al dispositivo può comportare

un pericolo di vita. La garanzia non copre danni causati da riparazioni effettuate da terze parti non autorizzate.

- Non utilizzare questo prodotto immediatamente dopo averlo rimosso dall'imballaggio. Attendere che si riscaldi fino a temperatura ambiente prima di usarlo.
- Assicurarsi di usare questo prodotto soltanto in un clima temperato (non in ambienti tropicali o subtropicali).
- Collocare il prodotto su una superficie piana e stabile in modo che non sia sottoposto a vibrazioni.
- Assicurarsi che il prodotto e le sue parti non pendino dal bordo del mobilio di supporto.
- Per ridurre il rischio di incendi, shock elettrici o danni al prodotto, non esporlo direttamente a luce del sole, polvere, pioggia o umidità. Non esporlo mai a gocciolamenti e schizzi d'acqua e non collocare oggetti contenenti liquidi sopra o vicino a esso.
- Non collocare oggetti pieni di liquidi, come vasi, sull'apparecchio.
- Non installarlo vicino a fonti di calore come termosifoni, griglie di ventilazione, stufe o altri apparecchi (inclusi amplificatori) che generano calore.
- Non collocare il prodotto in punti con elevata umidità e scarsa ventilazione.
- Assicurare una distanza minima di 5 cm attorno all'apparecchio per una ventilazione sufficiente. Non ostruire le aperture per la ventilazione del prodotto. Assicurarsi che le aperture per la ventilazione siano sgombrere da oggetti come giornali, tovaglie, tendaggi ecc.
- MAI lasciare che qualcuno, specialmente un bambino, inserisca qualcosa nei fori e nelle aperture dell'involucro dell'unità, in quanto ciò potrebbe risultare in uno shock elettrico fatale.
- I temporali sono pericolosi per gli apparecchi elettronici. Se i cavi della rete elettrica o l'antenna vengono colpiti da un fulmine, l'apparecchio potrebbe risultarne danneggiato, anche se spento. E' opportuno scollegare tutti i cavi e i connettori dell'apparecchio prima di un temporale.
- Un'eccessiva pressione sonora da cuffie o auricolari può causare danni all'udito.

Manutenzione

- Disconnetti il cavo di alimentazione dalla presa elettrica prima di pulire l'apparecchio.
- Usare un panno morbido e pulito per pulire l'esterno dell'unità. Non pulire con agenti chimici e detersivi.

Adattatore di corrente

- Per disconnettere l'unità dall'alimentatore, disconnettere il cavo dalla presa di corrente.
- Usare solo l'adattatore fornitore perché non fare ciò potrebbe mettere a rischio la sicurezza e/o danneggiare l'unità.

Batterie

- Rispettare la corretta polarità quando inserite le batterie.
- Non esporre le batterie ad alte temperature e non riporle in posti in cui la temperatura possa aumentare velocemente, per esempio vicino a una fiamma o alla luce diretta del sole.
- Non esporre le batterie a un eccessivo calore radiante, non gettarle nel fuoco, non smontarle e non cercare di ricaricarle se non sono ricaricabili. Potrebbero avere perdite o esplodere.
- Non usare mai batterie di marche diverse insieme, né mescolare batterie vecchie con nuove.
- Quando il telecomando non viene usato per lungo tempo (più di un mese), rimuovete la batteria per prevenire perdite.
- In caso di perdite di batterie, ripulire la perdita all'interno dello scompartimento e rimpiazzare le batterie vecchie con quelle nuove.
- Non utilizzare batterie diverse da quelle specificate.

Non ingerire le batterie: rischio di ustione chimica



- Se la batteria viene ingerita, può causare gravi ustioni interne in appena due ore e portare alla morte. Tenere batterie nuove e vecchie lontane dai bambini. Se lo scompartimento della batteria non si chiude perfettamente, smettere di usare il prodotto e tenerlo lontano dalla portata dei bambini. In caso di dubbio di ingerimento di batterie o di inserimento in qualsiasi parte del corpo, richiedere immediato supporto medico.

Smaltimento dell'apparecchio e delle batterie

- Non smaltire questo prodotto insieme a rifiuti non differenziati. Riciclarlo in un punto di raccolta apposito per il RAEE (Riciclaggio di Apparecchiature Elettriche ed Elettroniche). Così facendo, contribuirete alla conservazione delle risorse e alla protezione dell'ambiente.
- La maggior parte dei paesi dell'UE regola lo smaltimento delle batterie a norma di legge. Contattare il fornitore o le autorità locali per ulteriori informazioni.



- I simboli mostrati in alto appaiono su apparecchi elettrici ed elettronici e batterie (o sulla relativa confezione) come promemoria per gli utenti.
- Gli utenti sono tenuti a utilizzare le strutture adeguate per lo smaltimento di apparecchi e batterie.

Dichiarazione CE:

- Con la presente, UMC Poland sp. z o.o. dichiara che questo dispositivo audio soddisfa i requisiti essenziali e le altre disposizioni rilevanti della direttiva RED 2014/53/UE. Il testo completo della Dichiarazione di conformità UE è disponibile al link seguente <http://www.sharpconsumer.eu/documents-of-confirmity>

I marchi:



La parola e i loghi *Bluetooth*® simbolo sono marchi registrati di proprietà di Bluetooth SIG, Inc.



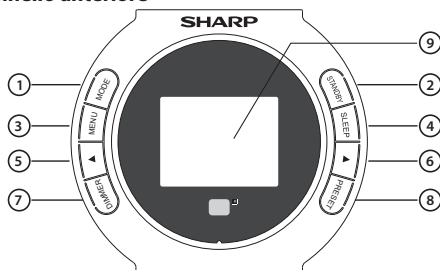
Il logo Wi-Fi CERTIFIED è un marchio di certificazione della Wi-Fi Alliance.

Cosa è compreso nella confezione

- 1x unità principale
- 1x Telecomando
- 1x Manuale utente
- 1x alimentatore
- 1x spina CA britannica per l'adattatore di corrente.
- 1x spina CA europea per l'adattatore di corrente.

Pannelli e controlli

Pannello anteriore

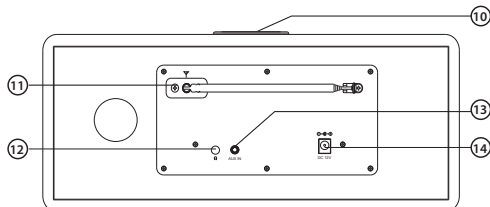


- 1. MODE** – Premi per cambiare le modalità: DAB/DAB+, FM, Internet Radio, Bluetooth, AUX IN. Inoltre, è possibile impostare un'altra funzione dal menu <Pulsante> in **CONFIGURAZIONE**: Sveglia, Dimmer varialuca, Equaliser, Radio locale, Modalità, Preset, Temporizzatore di sonno, Timer.

NOTE: La funzione predefinita per questo tasto è quella di modifica della modalità.

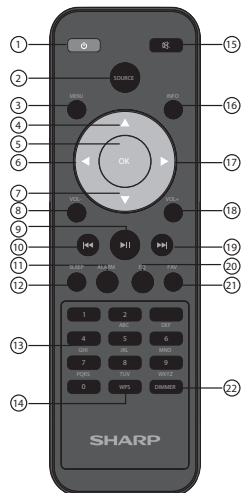
- 2. STANDBY** – Premi questo pulsante per accendere l'unità o per entrare in modalità Standby.
- 3. MENU** – Premere questo tasto per accedere all'interfaccia di impostazione MENU.
- 4. SLEEP** – Premi ripetutamente per impostare l'ora dello spegnimento automatico.
- 5. ◀** – Nella schermata delle impostazioni, premi per passare alla selezione precedente. Quando ascolti la radio, premi brevemente per diminuire la frequenza di 0,05MHz.
- 6. ▶** – Nella schermata delle impostazioni, premi per passare alla selezione successiva. Quando ascolti la radio, premi brevemente per aumentare la frequenza di 0,05MHz.
- 7. DIMMER** – Premi per regolare il livello della retroilluminazione.
- 8. PRESET** – Quando ascolti la radio su Internet, premere questo pulsante per passare alla schermata Stazione Radio/Musica.
- 9. DISPLAY SCREEN** – Premi per visualizzare le informazioni.

Pannello posteriore



- 10. Manopola del volume / Manopola di selezione / pulsante OK** – Durante la riproduzione, ruota la manopola per regolare il volume. Durante l'impostazione del menu, ruota la manopola per selezionare le opzioni, poi premi per confermare la selezione.
- 11. Antenna FM** – Serve a ricevere il segnale FM.
- 12. Ingresso cuffie** – Ingresso jack da 3,5mm per cuffie.
- 13. AUX IN** – Connetti un cavo audio da 3,5mm per utilizzare una sorgente audio esterna.
- 14. DC 12V** – Alimentazione 12V.

Telecomando



- 1. STANDBY** – Premi il tasto **STANDBY** sul telecomando per riattivare l'unità o per passare alla modalità Standby.
- 2. SOURCE** – Premere il tasto **SOURCE** per cambiare le modalità di riproduzione: DAB / DAB +, FM, AUX IN, Bluetooth, Radio Internet.
Nota: questo pulsante può essere utilizzato come un'altra funzione impostando dalla voce <Pulsante> in **CONFIGURAZIONE**: Sveglia, Dimmer Varialuca, Equaliser, Radio locale, Modalità, Preset, Temporizzatore di Sonno, Timer
- 3. MENU** – Premi il pulsante **MENU** sul telecomando o sul pannello anteriore per accedere al menu, poi premi i pulsanti di **DIREZIONE** o ruota la Manopola di selezione per navigare nel menu: Radio Internet, Centro Multimediale, FM, DAB/DAB+, Centro informazioni, AUX, Bluetooth, Configurazione, Radio locale.
- 4. SU / 5. OK / 6. SINISTRA / 7. GIÙ / 17. DESTRA** – Usa i pulsanti **SU** e **GIÙ** o ruota la Manopola di selezione per scorrere tra le opzioni, poi premi il pulsante **OK** per confermare la selezione.
- 8. VOL- / 18. VOL+** – Per regolare il volume, premi i pulsanti **VOL+** e **VOL-**, oppure ruota direttamente la manopola del volume.
- 10. INDIETRO / 19. AVANTI** – Mentre ascolti la musica, premi il pulsante **INDIETRO** o **AVANTI** per passare alla traccia precedente o successiva. Mentre ascolti la radio, premi il pulsante **INDIETRO** o **AVANTI** per passare alla stazione precedente o successiva.
- 9. RIPRODUZIONE/PAUSA** – Premi il pulsante **RIPRODUZIONE/PAUSA** per mettere in pausa o riprendere la riproduzione.
- 11. ALARM** – Premi il pulsante **ALARM** per visualizzare e creare le opzioni relative alle sveglie.
- 12. SLEEP** – Premi ripetutamente il pulsante **SLEEP** per impostare l'ora desiderata per lo spegnimento automatico.

- 13. NUMERO/LETTERA** – Premi per inserire numeri o lettere nelle impostazioni del menu.
- 14. WPS** – WPS Impostazioni
- 15. MUTO** – Premi il pulsante **MUTO** per mettere in mutolo; per riattivare i suoni, premi ancora o premi i pulsanti **VOL+/-** sul telecomando o ruota la manopola del volume sul pannello superiore.
- 16. INFO** – Premi il pulsante **INFO** per consultare le informazioni sulla stazione.
- 20. EQ** – Premi ripetutamente il pulsante **EQ** per scegliere tra diverse equalizzazioni del suono: Normale, Flat, Jazz, Rock, Colonne sonore, Classica, Pop, News, My EQ.
- 21. FAV** – Tieni premuto a lungo il pulsante **FAV** per salvare la stazione. Premi brevemente il pulsante **FAV** per visualizzare le stazioni preferite salvate.
- 22. DIMMER** – Premi il pulsante **DIMMER** per selezionare il livello della retroilluminazione.

Installazione o sostituzione delle batterie del telecomando

1. Premere il fermo sul coperchio della batteria in direzione della freccia in rilievo sulla parte posteriore del telecomando.
2. Mentre si preme il fermo, aprire il coperchio della batteria.
3. Inserire due batterie rispettando la polarità +-, come indicato. Quando si sostituiscono le batterie usare solo lo stesso tipo di batteria fornita.
4. Reinserrire il coperchio della batteria e fissarlo al suo posto.

Configurare la radio Internet

Collega l'alimentatore all'ingresso DC IN. Un messaggio di **benvenuto** apparirà sullo schermo.

Assicurati che l'antenna sia estesa il più possibile. Ciò permetterà di ottenere il miglior segnale possibile.

Dopo la schermata di benvenuto, se è la prima volta che usi questa radio, sarà possibile selezionare la lingua ruotando la **Manopola di selezione** e confermare la selezione premendo il pulsante **OK**.

Dopo aver impostato la lingua, lo schermo mostrerà **"Attivare Controlla rete all'accensione?"**. Puoi scegliere **"Sì"** o **"No"** per decidere se permettere che l'unità ricerchi la rete quando viene accesa.

Configurazione Wi-Fi manuale

Dopo l'impostazione precedente, la schermata mostrerà **"Vuoi configurare la rete ora?"**.

- Selezionando **"Sì"**, la radio inizia la scansione delle reti vicine. Dopo la scansione, devi scegliere la rete a cui connetterti. Dopodiché, digita lettere e numeri ruotando la **Manopola di selezione** o premendo i pulsanti **NUMERO/LETTERA** finché non appare la giusta lettera o numero, poi premi il pulsante **DESTRA** per passare alla prossima digitazione. Una volta terminato, premi il pulsante **OK** per confermare.
- Selezionando **"No"**, sarà possibile configurarlo in un secondo momento tra le impostazioni di configurazione.

Rete wireless (PBC WPS)

Se alla domanda **"Vuoi configurare la rete ora?"** selezioni **"Sì (WPS)"**, la radio comincerà a cercare le connessioni Wi-Fi.

Dopo averlo selezionato, saranno disponibili 120 secondi per premere il pulsante **WPS** sul tuo modem Wi-Fi. In questo modo si conatterà il Wi-Fi alla radio senza dover inserire manualmente la password.

Connessione Wi-Fi completa!

Una volta completata la configurazione manuale del Wi-Fi digitando manualmente la password o attraverso il WPS, tornerai alla schermata del menu e il segnale Wi-Fi apparirà in bianco in alto a sinistra. La radio Internet è pronta!

Radio Internet

Usa il pulsante **SINISTRA/DESTRA** o ruota la **Manopola di selezione** per selezionare **<Radio Internet>** nella schermata menu, premi il pulsante **OK** per entrare, quindi appariranno diverse opzioni:

I miei preferiti: Le stazioni preferite saranno salvate qui per essere caricate facilmente. Puoi premere il pulsante **FAV** per visualizzare l'elenco delle stazioni preferite.

Stazione Radio/Musica: Seleziona questa opzione per scorrere tra le stazioni radio Internet nelle seguenti categorie: Top 20 mondiali, Genere, Paese/località, In evidenza. Individua le stazioni all'interno delle categorie rilevanti e selezionare le stazioni scelte premendo il pulsante **OK**.

Radio locale: La radio è impostata in modo da rilevare automaticamente le 10 stazioni principali o tutte le stazioni del tuo paese, nonché una varietà di generi in categorie disposte in ordine alfabetico. Seleziona la categoria che vuoi ascoltare con il pulsante **OK** e continua a navigare fino a trovare la stazione desiderata.

Sleep Radio: Scegli tra diversi suoni rilassanti.

Cronologia: Scorri tra le stazioni radio ascoltate di recente.

Servizio: Cerca Stazione Radio o Aggiungi Nuova Stazione Radio.

- Puoi usare i pulsanti **NUMERO/LETTERA** per cercare le stazioni radio.
- Per aggiungere una nuova stazione radio, usa i pulsanti **NUMERO/LETTERA** per selezionare il carattere scelto e premi il pulsante **DESTRA** per passare al prossimo carattere. Per tornare al carattere precedente, premi il pulsante **SINISTRA** per evidenziarlo. Premi il pulsante **OK** per cercare la stazione radio.

Salvare le stazioni radio Internet preferite

Quando hai trovato la stazione radio desiderata, premi e tieni premuto il pulsante **FAV** per andare alla schermata

"Aggiungi a I Miei Preferiti". Ruota la **Manopola di selezione** o premi i pulsanti **SU/GIÙ** per scegliere il numero del preset e premi il pulsante **OK** per confermare l'opzione.

Radio FM

Le frequenze FM vanno da 87.5MHz a 108.00MHz. Stendi l'antenna per trovare il segnale più forte per ciascuna stazione.

Usa i pulsanti **SINISTRA/DESTRA** oppure ruota la **Manopola di selezione** per scegliere **<FM >** sulla schermata Menu, poi premi il pulsante **OK** per entrare nella schermata FM.

Sintonizzare le stazioni

Premi i pulsanti **SU/GIÙ** sul telecomando o sul pannello frontale per regolare la frequenza, aumentandola o diminuendola di **0.05** MHz alla volta.

Premi i pulsanti **SINISTRA/DESTRA** sul telecomando per passare alla stazione precedente o successiva con la ricezione più forte. Una volta trovata una stazione, la scansione automatica si arresta.

Premi il pulsante **OK**, **"Scansione automatica"** apparirà sullo schermo. Se scegli **"Sì"**, la radio comincerà a cercare stazioni dalle frequenze basse a quelle alte. Quindi salverà le stazioni automaticamente.

Memorizzare le stazioni

Per salvare la tua stazione preferita, sintonizzati prima su di essa, poi tieni premuto a lungo **FAV** sul telecomando, dopodiché usa i pulsanti **SU/GIÙ** o ruota la **Manopola di selezione** per scegliere il numero che vuoi salvare. Quindi, premi il pulsante **OK** per confermare il preset.

Richiamare una stazione memorizzata

1. Premiamo i pulsanti **INDIETRO/AVANTI** sul telecomando per passare al preset stazione precedente o successivo.
2. Oppure puoi premere il pulsante **FAV** per selezionare la stazione memorizzata, quindi premere **OK** per ascoltarla.

DAB/DAB+

Usa i pulsanti **SINISTRA/DESTRA** oppure ruota la **Manopola di selezione** per scegliere **<DAB/DAB+>** sulla schermata Menu, poi premi il pulsante **OK** per entrare nella modalità DAB/DAB+.

Al primo utilizzo del DAB sulla radio, inizierà la scansione di stazioni DAB e apparirà il messaggio **Scansione** sul display. Verrà mostrato quante stazioni sono state trovate man mano che la ricerca continua.

Una volta che tutte le stazioni disponibili sono state trovate, la schermata della radio mostrerà le stazioni selezionabili. Usa la **Manopola di selezione** per scorrere tra le stazioni e selezionare quella desiderata. Seleziona la

stazione premendo il pulsante **OK**.

Quando hai selezionato una stazione, la schermata mostrerà la stazione ed essa verrà avviata.

Per scegliere la stazione precedente o successiva, premi il pulsante **INDIETRO** o **AVANTI**.

Una volta trovata la stazione desiderata, premi il pulsante **INFO** per mostrare le informazioni sulla stazione. La schermata farà scorrere le informazioni automaticamente, mostrando genere, MHz, titolo della canzone, KHz e Kbps.

Per tornare all'elenco per scorrere manualmente, premi il pulsante **SINISTRA**.

Pre-impostare le stazioni DAB/DAB+ preferite

Una volta trovata la stazione desiderata, tieni premuto il pulsante **FAV** per alcuni secondi per passare alla schermata **"Aggiungi a I Miei Preferiti"**. Ruota la **Manopola di selezione** per scegliere il numero del preset e premi il pulsante **OK** per confermare.

In alternativa, quando ti trovi nella schermata dell'elenco delle stazioni DAB, puoi selezionare la stazione scelta e tenere premuto **FAV** per seguire la procedura indicata sopra.

Per visualizzare le stazioni preferite preimpostate, premi il pulsante **FAV**, poi usa il pulsante **SU** o **GIÙ** per scorrere nell'elenco dei preset.

Centro informazioni

Usa il pulsante **SINISTRA/DESTRA** o ruota la **manopola di selezione** per selezionare **<Centro informazioni>** nella schermata Menu, poi premi il pulsante **OK** per entrare nella schermata Centro informazioni.

Informazioni meteo: Per selezionare le informazioni meteo per un posto desiderato, prima seleziona il continente usando la **Manopola di selezione** per scorrere e poi il pulsante **OK** per confermare. Dopodiché, seleziona prima il paese, poi la città.

Una volta selezionata la città, verranno mostrate le seguenti informazioni: temperatura attuale, simbolo meteo, intervallo temperatura approssimativo per i prossimi 5 giorni.

Informazioni finanziarie: Selezione da una gamma di indici di borsa da tutto il mondo. Usate la

Manopola di selezione per scorrere e poi il pulsante **OK** per confermare.

Informazioni sul sistema: Visualizza la versione del sistema e le informazioni sulla connessione wireless. Se sono selezionate le informazioni sul wireless, puoi vedere informazioni, ad esempio, sulla forza del segnale Wi-Fi.

Funzionamento AUX

AUX IN

Usa i pulsanti **SINISTRA/DESTRA** oppure ruota la **Manopola di selezione** per scegliere **<AUX>** sulla schermata Menu, poi premi il pulsante **OK** per entrare nella modalità AUX.

Connetti il cavo AUX alla radio, usando l'ingresso AUX IN sul retro. Inizia la riproduzione dell'audio dal tuo dispositivo e questo dovrà sentirsi sulla radio in modalità AUX.

Uscita linea (Cuffie)

Sul pannello posteriore della radio, il jack **Cuffie** ti permette di ascoltare l'audio dalla radio attraverso le cuffie. Inizia ad ascoltare audio da Radio Internet, Centro Multimediale, AUX o Bluetooth.

Bluetooth

Usa i pulsanti **SINISTRA/DESTRA** oppure ruota la **Manopola di selezione** per scegliere **<Bluetooth>** sulla schermata Menu, poi premi il pulsante **OK** per entrare nella modalità Bluetooth.

1. Vai alle impostazioni del tuo dispositivo per connetterlo alla radio via Bluetooth.
2. Seleziona il nome **"SHARP DR-I470"** nell'elenco trovato sul tuo dispositivo. Una volta connessa, la radio emetterà un segnale per comunicare che è **"Connessa"**, e il messaggio **"Bluetooth connesso"** apparirà sul display.
3. Seleziona l'audio desiderato sul dispositivo e riproducilo.
4. Ora è possibile ascoltare musica dal tuo dispositivo.
5. Per disconnettere i due dispositivi, passa a un'altra modalità di riproduzione oppure spegni la funzione Bluetooth nel tuo dispositivo.

Configurazione

Usa i pulsanti **SINISTRA/DESTRA** oppure ruota la **Manopola di selezione** per scegliere **<Configurazione>** sulla schermata Menu principale, poi premi il pulsante **OK** per entrare nelle impostazioni di configurazione.

Visualizzazione ora

Seleziona il tipo di visualizzazione dell'ora: Analogico o digitale.

Gestione di "my MediaU"

Imposta la funzione su Abilita o Disabilita.

Rete

- **Configurazione rete wireless**
 - Nelle impostazioni di Rete, puoi configurare la connessione Wi-Fi selezionando Configurazione rete wireless. La radio quindi inizierà a cercare le connessioni Wi-Fi disponibili.
 - Trova la tua connessione Wi-Fi e selezionala premendo **OK**. Per digitare lettere/numeri, usa la **Manopola di selezione** oppure premi i pulsanti **LETTERA/NUMERO** finché non viene mostrato il carattere corretto. Quindi premi il pulsante **DESTRA** per passare al carattere successivo. Premi il pulsante **SINISTRA** se vuoi tornare al carattere precedente. Una volta terminato, premi il pulsante **OK** per confermare.
 - Una volta che il Wi-Fi è connesso, verrà mostrata la schermata menu principale e il segnale Wi-Fi apparirà in bianco nell'angolo in alto a sinistra.
- **Rete wireless (PBC WPS)**
 - Seleziona questa opzione per cercare la connessione Wi-Fi. Dopo averla selezionata, saranno disponibili 120 secondi per premere il pulsante WPS sul tuo modem Wi-Fi. In questo modo si conatterà il Wi-Fi alla radio senza dover inserire manualmente la password.
- **Configurazione manuale**
 - Puoi impostare manualmente i dati wireless: DHCP, Digita SSID e Gestisci.
- **Controlla rete all'accensione**
 - Imposta su Abilita o Disabilita.

Data e ora

- **Imposta Data e ora**
 - **Configurazione manuale o Rilevazione automatica**

È disponibile l'opzione per impostare manualmente data e ora invece di utilizzare la rilevazione automatica. Ruota la **Manopola di selezione** oppure premi i pulsanti con i numeri per inserire le cifre del mese. Una volta inserite le cifre giuste, premi il pulsante **DESTRA** per passare alle impostazioni relative al giorno. Continua questa procedura per l'anno, l'ora e i minuti. Una volta completata la configurazione manuale, premi il pulsante **OK** per confermare. Per cancellare il formato di data e ora, puoi modificare queste impostazioni sotto la funzione "Data e ora".

- **Formato Ora:** Imposta il formato in base a cicli di 12 o 24 ore.
- **Imposta formato data:** AAAA/MM/GG, GG/MM/AAAA, MM/GG/AAAA

Sveglia

Configurazione di Sveglia 1/ Sveglia 2

- Per impostare una sveglia sulla radio, vai alle impostazioni **“Configurazione”** e scorri fino a selezionare **“Sveglia”** o premi direttamente il pulsante **ALARM** sul telecomando.
- Una volta nella schermata delle impostazioni Sveglia, seleziona **“Sveglia 1 (Disattiva)”** o **“Sveglia 2 (Disattiva)”** e scegli **“Attiva”** per attivare la sveglia.
- Seleziona **“Ripeti”** per impostare la regolarità della sveglia, poi premi il pulsante **OK**. Puoi scegliere di far suonare la sveglia Ogni giorno, Una volta o singoli giorni specifici. Una volta selezionata un'opzione, premi il pulsante **SINISTRA** per tornare alle impostazioni della sveglia.
- Seleziona **“Ora”** e ruota la **Manopola di selezione** per selezionare l'ora della sveglia. Una volta trovate le ore desiderate, premi il pulsante **DESTRA** per cambiare i minuti.
- Una volta indicati i valori giusti per i minuti, premi il pulsante **DESTRA** per cambiare **“AM”** o **“PM”**, poi premi **OK** per confermare e tornare alle impostazioni della sveglia.
- Ora scorri verso il basso e seleziona **“Suono”** premendo il pulsante **OK**. Ora puoi scegliere tra Bip, Melodia, Radio Internet FM oppure DAB/DAB+.
- Se imposti il suono della sveglia su Radio Internet, FM o DAB/DAB+, la schermata ti porterà alle tue stazioni preferite preimpostate. Seleziona la stazione da usare per la sveglia premendo il pulsante **OK**.
- Il simbolo della sveglia apparirà sulla schermata principale.

Come annullare una sveglia

- Per annullare la tua sveglia, seleziona **“Sveglia”** nelle impostazioni Configurazione o tramite il pulsante **ALARM** e seleziona la sveglia che vuoi disattivare.
- Una volta selezionata la sveglia, avrai la possibilità di spegnerla o accenderla. Seleziona l'opzione **“Disattiva”** e premi il pulsante **OK** per confermare.

NOTA: *Cambia il volume della sveglia nell'impostazione “Volume allarme” nella schermata delle impostazioni della sveglia.*

Come spegnere la sveglia mentre sta suonando

Quando la sveglia suona, premi il pulsante **ALARM** oppure **STANDBY** sul telecomando per spegnerla. Se hai impostato la sveglia in modo che suoni ogni giorno o più di una volta, l'icona della sveglia resterà sullo schermo.

Come posticipare la sveglia

Quando la sveglia suona, premi qualsiasi pulsante al di fuori di **STANDBY** oppure **ALARM** per interrompere il suono e passare in modalità **Posticipa**. La funzione Posticipa farà suonare nuovamente la sveglia dopo 5 minuti.

NOTA: *Termina la funzione POSTICIPA della sveglia premendo il pulsante ALARM oppure STANDBY.*

Allarme NAP

- Dopo aver selezionato l'opzione **“Sveglia”** nelle impostazioni Configurazione oppure il pulsante **ALARM** sul telecomando, seleziona **“Allarme NAP (Disattiva)”**.
- Scegli tra quanti minuti vuoi che la sveglia suoni: Disattiva, 5 minuti, 10 minuti, 20 minuti, 30 minuti, 60 minuti, 90 minuti, 120 minuti.

Volume allarme

- Cambia il volume della sveglia ruotando la **Manopola del volume** oppure premendo i pulsanti **SINISTRA/DESTRA**.
- Una volta scelto il volume, premere il pulsante **OK** per confermare.

Timer

- Nelle impostazioni **“Configurazione”**, seleziona l'opzione **“Timer”** e sul display apparirà 00:00.
- Per aggiungere secondi, premi il pulsante **DESTRA**. Per diminuire i secondi, premi il pulsante **SINISTRA**. Premi e tieni premuto i pulsanti **SINISTRA/DESTRA** per scorrere il timer rapidamente.
- Una volta scelto il timer desiderato, confermalo premendo il pulsante **OK**.

Lingua

Seleziona la lingua desiderata all'interno dell'elenco.

Dimmer varialuce

- Per impostare la luminosità della radio, vai nelle impostazioni **“Configurazione”** e seleziona **“Dimmer”**. Puoi scegliere **“Risparmio energetico”** o **“Attiva”**.
- Seleziona la modalità **“Risparmio energetico”** per impostare il livello di luminosità con una scelta fino a 20 livelli. Quando non viene rilevata alcuna attività della radio per 15 secondi, il livello di luminosità si abbasserà finché non verrà premuto un pulsante, riattivando la modalità **“Attiva”**.
- Seleziona la modalità **“Attiva”** perché sia la luminosità per quando la radio è attiva e in uso.
- In alternativa, puoi impostare due impostazioni di luminosità premendo il pulsante **DIMMER** sul telecomando o direttamente sul pannello anteriore dell'unità.

Display

Scegli le impostazioni relative al colore del display tra **Colore** o **Monocromatico**.

Risparmio energia

Seleziona per configurare la radio in modo che vada in modalità Standby automaticamente dopo un determinato periodo di inattività o se non c'è alcun segnale Wi-Fi. Puoi selezionare **5/15/30 minuti** prima di andare in modalità Standby, oppure puoi selezionare **“Disattiva”** per ignorare questa funzione.

Temporizzatore di sonno

- Per impostare un temporizzatore di sonno, vai alle impostazioni **“Configurazione”** e seleziona **“Temporizzatore di sonno”**. Puoi scegliere tra **Disattiva, 15, 30, 60, 90, 120, 150, 180** minuti.
- In alternativa, puoi premere ripetutamente il pulsante **SLEEP** sul telecomando per cambiare la durata visualizzata in alto a destra sul display. Si può scegliere tra **15, 30, 60, 90, 120, 150, 180** minuti.
- Una volta selezionato Temporizzatore di sonno, in alto a destra sul display appariranno la durata del timer e un'immagine che rappresenta il sonno.

Buffer

Configura la durata del buffer della riproduzione musicale: **2/4/8 secondi**.

Meteo

- **Definisci località:** Scegli e conferma la tua località.
- **Unità di misura della temperatura:** Scegli la tua unità preferita per la temperatura tra “Celsius” e “Fahrenheit”.
- **Mostra in Standby:** Scegli se attivare o disattivare la visualizzazione delle previsioni meteo sullo schermo in Standby. Se attivi la visualizzazione delle previsioni meteo, queste appariranno sul display in Standby ogni 10 secondi.

Impostazione FM

- **Modalità:** Puoi scegliere tra la modalità “Mono” o “Stereo”.
- **Soglia:** Scegli le impostazioni relative alla soglia (Ricerca soglia/Soglia stereo).
- (La soglia serve a impostare il passaggio automatico tra le modalità mono e stereo. Quando ti trovi in un luogo con ricezione debole, il sistema passerà automaticamente in modalità mono per ridurre il rumore di fondo della stazione, in modo da garantire un ascolto più chiaro.)

Configurazione radio locale

Imposta manualmente la tua località per la radio locale piuttosto che eseguire il rilevamento automatico.

Configurazione riproduzione

Seleziona la modalità di riproduzione del Centro multimediale: Disattiva, Ripeti tutto, Ripeti uno, Casuale.

Dispositivo

Il nome predefinito per DLAN è “AirMusic”. Puoi rinominare il dispositivo per la configurazione DLAN.

Pulsante

In questa interfaccia di configurazione, puoi selezionare **“Sveglia”**, **“Dimmer varialuce”**, **“Equaliser”**, **“Radio locale”**, **“Modalità”**, **“Preset”**, **“Temporizzatore di sonno”** e **“Timer”** per confermare la funzione del pulsante **MODE** sul pannello frontale e sul telecomando.

Equaliser

L'equalizzatore predefinito è Normale. Puoi cambiarlo in Flat, Jazz, Rock, Colonne sonore, Classica, Pop, News o my EQ.

Riprendere quando acceso

Attiva la funzione che vuoi che la radio riprenda quando viene accesa. La schermata, invece, resterà nel menu principale.

Aggiornamento software

Qui verrà segnalato se è disponibile un aggiornamento del software per la radio. Se è disponibile un aggiornamento, selezionalo per avviarlo.

Ripristina predefiniti

Seleziona questa opzione per ripristinare la radio e cancellare tutte le impostazioni e i preset creati. Conferma che intendi ripristinare l'unità premendo **“SI”**.

Risoluzione dei problemi

Questo prodotto non ha componenti che possano essere riparate dall'utente. In caso di guasto, contattate il produttore o l'agente di servizio autorizzato. Esporre le parti interne al dispositivo può comportare un pericolo di vita. La garanzia non copre danni causati da riparazioni effettuate da terze parti non autorizzate.

Audio assente

Causa

- Volume non acceso.

Soluzione

- Regolare la manopola del volume principale.

Nessun suono dalla connessione Bluetooth

Soluzione

- Controlla se il dispositivo esterno richiede la password “0000” per iniziare.

Il Wi-Fi non si connette

Soluzione

- Assicurati che la modalità Wi-Fi sia selezionata nelle impostazioni e che la password corretta per il modem sia stata inserita.

Suono statico

Causa

- Ricezione del segnale troppo bassa.

Soluzione

- Regolare l'antenna o spostare l'unità in un punto dove il segnale è più forte.

Il suono è distorto

Causa

- Il volume è troppo alto

Soluzione

- Abbassare il volume

Stazione desiderata non trovata

Causa

- Segnale debole

Soluzione

- Usare la funzione di sintonizzazione manuale

Funzioni DAB assenti

Causa

- DAB non coperto nella tua area.
- Scarsa ricezione

Soluzione

- Regola la posizione dell'antenna.

Il display è vuoto.

Causa

- Ciò può verificarsi se l'emittente modifica l'etichetta di un servizio o rimuove un'etichetta mentre è sintonizzata.

Soluzione

- La radio cercherà di risintonizzarsi.
- Eseguire una scansione.

Alimentazione assente

Causa

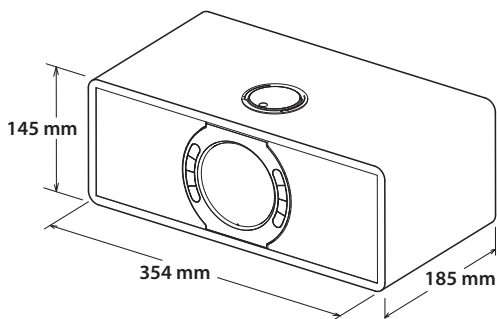
- L'adattatore non è connesso alla presa su parete.

Soluzione

- Accertarsi che l'adattatore sia connesso.

Specifiche tecniche

Modello	DR-I470
Corrente in uscita	2x7W (RMS)
Consumo energetico (max.)	28W
Consumo energetico (standard)	8W
Standby Consumo energetico	<1W
Frequenza FM	87.5-108MHz
Frequenza DAB+	174.928-239.200MHz
Bluetooth	
Versione	V2.1+ EDR
Bande di frequenza	2402 MHz ~ 2480 MHz
Potenza massima trasmessa	4dBm
Adattatore di corrente	
Nome modello:	FJ-SW1202000N
Input:	AC 100-240V ~ 50/60Hz, 0.6A Max
Output:	DC 12V ≈2000mA
Produttore:	SHENZHEN FU JIA APPLIANCE CO., LTD B1,Xujing chang Industrial Park, Haoye Road, Fuyong 518103 Shenzhen, China
WIFI	
Connessioni Wi-Fi:	802.11 b/g/n; STA/AP/AP Client



 **3,16kg**

Importantes consignes de sécurité

Svp, lire ces consignes de sécurité et respecter les avertissements suivants avant que l'appareil ne soit actionné :



Le point d'exclamation contenu dans un triangle équilatéral a pour objet d'appeler l'attention de l'utilisateur sur la présence dans la documentation accompagnant le produit d'instructions importantes d'utilisation et d'entretien (de réparation).



Utilisez uniquement l'alimentation électrique indiquée dans le mode d'emploi.



Ce symbole signifie que le produit doit être éliminé de manière écologique et non avec les ordures ménagères.



Tension alternative



Tension continue



Équipement de classe II



Pour une utilisation en intérieur uniquement



Notation d'efficacité énergétique de niveau VI



Polarité de câble d'alimentation de C.C.

Afin d'éviter un incendie, maintenir toujours les bougies et autres flammes nues éloignées de ce produit.



pas les défauts provoqués par des réparations effectuées par des tiers non autorisés.

- N'utilisez pas ce produit directement après déballage. Attendez qu'il se réchauffe à la température ambiante avant de l'utiliser.
- Assurez-vous que ce produit est utilisé dans des climats modérés uniquement (et non tropicaux ou sous-tropicaux).
- Placez le produit sur une surface plane et stable sans vibrations.
- Assurez-vous que le produit ou ses pièces ne dépassent pas du bord du meuble le supportant.
- Pour réduire les risques d'incendie, d'électrocution ou de dommages à ce produit, veuillez ne pas l'exposer à la lumière directe du soleil, à la poussière, à la pluie et à l'humidité. Ne l'exposez jamais aux éclaboussures ou égouttements et ne placez pas d'objets remplis d'eau sur ou près du produit.
- Ne placez pas d'objets remplis de liquide, comme des vases sur l'appareil.
- N'installez pas l'appareil à proximité de sources de chaleurs telles que des radiateurs, des chauffages, des cuisinières ou d'autres appareils (y compris des amplificateurs) produisant de la chaleur.
- Ne placez pas de produit dans un emplacement à l'humidité élevée et présentant une mauvaise ventilation.
- Assurez une distance minimum de 5 cm autour de l'appareil afin d'assurer une ventilation suffisante. Ne bloquez pas les entrées de ventilation de ce produit. Assurez-vous toujours que les ouvertures de ventilation ne sont pas recouvertes d'articles tels que journaux, nappes de table, rideaux, etc.
- Ne laissez JAMAIS une personne, et particulièrement un enfant, faire rentrer un objet dans les trous, fentes ou toute autre ouverture du boîtier de l'appareil, ceci pouvant causer une électrocution fatale.
- Les orages sont dangereux pour tous les appareils électriques. Si le secteur ou le câblage aérien est frappé par la foudre, l'appareil peut être endommagé, même s'il était éteint. Vous devez débrancher tous les câbles et connecteurs de l'appareil avant un orage.
- Un niveau de pression acoustique excessif du casques ou des écouteurs peut causer une perte auditive.

Entretien

- Débranchez le câble d'alimentation de la source de courant avant de nettoyer l'appareil.
- Utilisez un chiffon doux et propre pour nettoyer l'extérieur de l'appareil. Ne nettoyez jamais l'appareil avec des produits chimiques ou détergent.

Adaptateur électrique

- Pour déconnecter l'appareil du réseau d'alimentation, débrancher le fil de la prise de courant.
- N'utilisez que l'adaptateur secteur fourni, faute de quoi cela pourrait entraîner un risque pour la sécurité et / ou endommager l'appareil.

Piles

- Observez la polarité correcte en insérant les piles.
- Ne pas exposer les piles aux températures élevées et ne pas les placer dans des endroits où la température pourrait augmenter rapidement, par exemple près d'un feu, ou directement à la lumière solaire.
- Ne pas exposer les piles à la chaleur rayonnante excessive, ne pas les jeter au feu, ne pas les démonter et ne pas essayer de recharger les piles non-rechargeables. Elles peuvent fuir ou exploser.
- Ne jamais utiliser ensemble des piles différentes ou mélanger des piles neuves et les usagées.
- Lorsque la télécommande n'est pas utilisée pendant une période prolongée (plus d'un mois), retirez la pile de la télécommande pour éviter tout risque de fuite.
- Si les piles fuient, nettoyez les fuites à l'intérieur du compartiment à piles et remplacez les piles par des piles neuves.
- N'utilisez pas de piles autres que celles spécifiées.

N'ingérez pas la pile, risque de brûlure chimique



Cd

Avertissement :

- Suivez toujours les précautions basiques de sécurité durant l'utilisation de cet appareil, particulièrement lorsque des enfants sont présents.
- Les enfants doivent être supervisés afin de s'assurer qu'ils ne jouent pas avec l'appareil.
- N'endommagez pas le cordon d'alimentation, n'y placez pas d'objets lourds, ne l'étirez pas et ne le pliez pas. N'utilisez pas de rallonge électrique. Tout dommage au cordon d'alimentation peut provoquer un incendie ou un choc électrique.
- Si le cordon d'alimentation est endommagé, il doit être remplacé par le fabricant, un agent du service après-vente ou des personnes similairement qualifiées afin d'éviter tout risque.
- Assurez-vous que l'appareil est bien branché dans une prise électrique CA 100-240V 50/60Hz. L'utilisation d'une tension plus élevée peut entraîner un dysfonctionnement de l'appareil ou un incendie.
- Si la fiche d'alimentation ne rentre pas dans la prise, ne la forcez pas.
- Si votre fiche électrique ne rentre pas dans votre prise murale, ne forcez pas pour la faire rentrer.
- Éteignez l'appareil avant de le débrancher de sa source électrique afin de complètement le désactiver.
- Ne connectez et ne déconnectez pas le cordon d'alimentation avec des mains mouillées. Ceci peut causer une électrocution.
- Si l'appareil ne doit pas être utilisé pendant une longue période, débranchez l'alimentation.
- Déconnectez le cordon d'alimentation si l'appareil n'est pas utilisé pendant une période prolongée.
- Assurez-vous que la prise principale est toujours facilement accessible.
- Ce produit ne contient aucune pièce réparable par l'utilisateur. En cas de défaut, contactez le fabricant ou le département de service après-vente autorisé. L'exposition aux pièces internes situées à l'intérieur de l'appareil peuvent mettre votre vie en danger. La garantie du fabricant ne couvre

- Si la pile est ingérée, elle peut causer de sévères brûlures internes en moins de 2 heures voire même la mort. Gardez les piles neuves et usagées hors de la portée des enfants. Si le compartiment de la pile ne ferme pas bien, arrêtez d'utiliser le produit et gardez-le hors de la portée des enfants. Si vous pensez que des piles ont pu être avalées ou placées à l'intérieur d'une partie quelconque du corps, consultez immédiatement un médecin.

Mise au rebut de cet appareil et des piles

- Ne vous débarrassez pas de ce produit ou des piles avec les déchets ménagers non triés. Renvoyez-la à un point de ramassage et de recyclage WEEE (déchets d'équipements électriques et électroniques) selon la législation en vigueur. Agir ainsi, aide à conserver les ressources et à protéger l'environnement.
- La plupart des pays de l'Union Européenne règlent par la loi la mise au rebut des batteries. Entrer en contact avec le détaillant ou les autorités locales pour plus d'information.



- La figure ci-dessus apparaît sur les équipements électriques et électroniques (ou sur l'emballage) pour rappeler ce fait aux utilisateurs.
- Les utilisateurs doivent utiliser les centres de ramassage d'équipements et de piles existants.

Déclaration CE :

- Par la présente, Universal Media Corporation déclare que cet appareil audio est conforme aux principales exigences et autres clauses pertinentes de la Directive RED 2014/53/EU. Le texte intégral de la déclaration de conformité de l'UE est disponible en cliquant sur le lien suivant : <http://www.sharpconsumer.eu/documents-of-conformity>

Marques déposées :



La marque et les logos *Bluetooth*[®] sont des marques déposées de Bluetooth SIG., Inc.



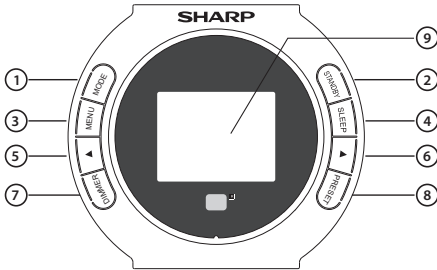
Le logo Wi-Fi CERTIFIED est une marque de certification de la Wi-Fi Alliance.

Ce qui est inclus dans la boîte :

- 1x 1 unité principale
- 1x Télécommande
- 1x Manuel d'utilisation
- 1x Adaptateur secteur
- 1x Fiche AC (Royaume-Uni) pour adaptateur d'alimentation
- 1x Fiche AC (Union européenne) pour adaptateur d'alimentation

Parties & commandes

Partie avant

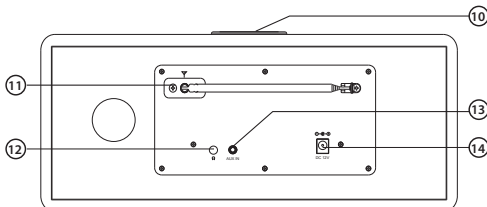


- 1. MODE** – Appuyez pour changer les modes : DAB/DAB+, FM, Internet Radio, Bluetooth, AUX IN.
On peut également réaliser un réglage avec une autre fonction en définissant le menu <Key> dans **CONFIGURATION**: Alarme, Variateur, Égaliseur, Radio locale, Mode, Préréglage, Minuterie de veille, Minuteur.

REMARQUES : La fonction par défaut de ce bouton est le changement de mode.

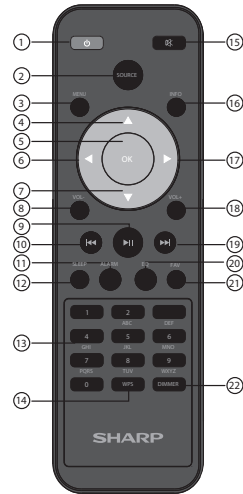
- 2. STANDBY** – Appuyez sur cette touche pour allumer l'appareil ou passer en mode veille.
- 3. MENU** – Appuyez sur cette touche pour accéder à l'interface de réglage du MENU.
- 4. SLEEP** – Appuyez plusieurs fois pour définir le temps de veille souhaité.
- 5. ◀** – Dans l'écran de réglage, presser pour passer à la sélection précédente. Lorsque vous écoutez une radio, appuyez brièvement pour diminuer la fréquence par incréments de 0,05 MHz.
- 6. ▶** – Une fois dans l'écran de configuration, appuyez pour aller à la sélection suivante. Lorsque vous écoutez une radio, appuyez brièvement pour augmenter la fréquence par incréments de 0,05 MHz.
- 7. DIMMER** – Appuyez pour définir le niveau de rétro-éclairage.
- 8. PRESET** – En mode de lecture radio Internet, appuyez sur cette touche pour basculer vers l'écran Radio Station / Music.
- 9. ÉCRAN D'AFFICHAGE** – Pour afficher les informations.

Panneau arrière



- 10. Bouton de volume / Bouton de sélection / bouton OK** – Lors de la lecture, tournez le bouton pour régler le volume de lecture. Lors du réglage du menu, tournez le bouton pour sélectionner les options ; appuyez sur pour confirmer votre sélection.
- 11. Antenne FM** – Pour recevoir le signal FM.
- 12. Prise d'écouteurs** – Prise d'écouteurs 3,5mm.
- 13. Prise AUX IN** – Connectez le câble audio 3,5 mm pour profiter de la musique audio externe.
- 14. Entrée de courant continu** – CC 12V

Télécommande



- 1. STANDBY** – Appuyez sur le bouton **STANDBY** sur la télécommande pour réactiver l'appareil ou passer en mode veille.
- 2. SOURCE** – Appuyez sur la touche **SOURCE** pour changer les modes de lecture: DAB / DAB +, FM, AUX IN, Bluetooth, Radio Internet.
Remarque: Ce bouton peut être utilisé comme fonction supplémentaire en sélectionnant l'élément <Bouton> dans **CONFIGURATION**: Alarme, Rétro-éclairage, Egaliseur, Radio locale, Mode son, Préréglé, Minuteur de mise en veille, Minuteur
- 3. MENU** – Appuyez sur le bouton **MENU** sur la télécommande ou sur le panneau avant pour accéder à la lecture du menu, appuyez sur les touches de **DIRECTION** ou tournez le bouton de sélection pour parcourir le menu : Radio Internet, Media Center, FM, DAB/DAB+, Centre d'information, AUX, Bluetooth, Configuration, Radio locale.
- 4. HAUT / 5. OK / 6. GAUCHE / 7. BAS / 17. DROIT** – Faites défiler les boutons **HAUT** et **BAS** ou tournez le bouton de sélection pour parcourir les choix, puis appuyez sur le bouton **OK** pour confirmer votre sélection.
- 8. VOL- / 18. VOL+** – Pour régler le volume, vous pouvez appuyer sur les boutons **VOL+** et **VOL-** ou faire pivoter le bouton de volume directement.
- 10. PRÉCÉDENT / 19. SUIVANT** – Lors de la lecture d'une musique, appuyez sur la touche **PRÉCÉDENT** ou **SUIVANT** pour passer à la piste précédente ou suivante. Lorsque vous écoutez une radio, appuyez sur la touche **PRÉCÉDENT** ou **SUIVANT** pour passer à la station de service précédente ou suivante.
- 9. PLAY/PAUSE** – Appuyez sur le bouton **PLAY/PAUSE** pour interrompre la lecture, appuyez à nouveau pour reprendre.
- 11. ALARM** – Appuyez sur le bouton **ALARM** pour afficher et créer les options de sonnerie.
- 12. SLEEP** – Appuyez sur le bouton **SLEEP** à plusieurs reprises pour choisir le temps de sommeil souhaité.

13. **NOMBRE / LETTRE** – Lors de la configuration du menu, tapez des chiffres ou des lettres.
14. **WPS** – WPS Réglages
15. **MUTE** – Appuyez sur le bouton **MUTE** pour couper le son, appuyez à nouveau ou appuyez sur les boutons **VOL+/-** sur la télécommande ou tournez le bouton de volume sur le panneau supérieur pour reprendre.
16. **INFO** – Appuyez sur le bouton **INFO** pour vérifier les informations de la station.
20. **EQ** – Appuyez sur le bouton **EQ** à plusieurs reprises pour choisir différents champs sonores : Normal, Plat, Jazz, Rock, Bandes sonores, Classique, Pop, Info, Mon EQ.
21. **FAV** – Appuyez longuement sur le bouton **FAV** pour sauvegarder la station. Vous pouvez appuyer brièvement sur la touche **FAV** pour afficher votre liste de stations préférées ayant été enregistrées.
22. **DIMMER** – Appuyez sur le bouton **DIMMER** pour sélectionner le niveau de rétro-éclairage

Insérer ou remplacer les piles de la télécommande

1. Appuyez sur le loquet du couvercle des piles dans la direction de la flèche en relief sur la face arrière de la télécommande.
2. Ouvrez le couvercle des piles en poussant le loquet.
3. Placez deux piles en respectant la polarité + -, comme illustré. Lors du remplacement des piles, utilisez uniquement le même type que les piles fonctionnelles.
4. Remplacez le couvercle des piles et fixez-le.

Mise en route de votre radio Internet

Branchez l'adaptateur secteur dans la prise d'entrée CC. Alors "**Bienvenue**" sera affiché à l'écran.

Assurez-vous que l'antenne soit étendue autant que possible. Cela vous permettra d'obtenir le meilleur signal possible.

Après l'écran de bienvenue, si vous utilisez votre radio pour la première fois, vous pouvez sélectionner la langue en faisant défiler la sélection avec le **bouton de sélection**, puis confirmez votre choix en appuyant sur le bouton **OK**.

Après le réglage de la langue, l'écran affichera "**Activer la vérification du réseau à l'allumage**". Vous pouvez choisir "**OUI**" ou "**NON**" pour décider si l'appareil doit vérifier le réseau lorsqu'il est allumé ou non.

Configuration manuelle du WIFI

Après le réglage ci-dessus, l'écran affichera « **Voulez-vous configurer le réseau maintenant ?** ».

- Si vous sélectionnez "**OUI**", votre radio commencera à rechercher les réseaux les plus proches auxquels vous connecter. Après la numérisation, vous devez choisir le réseau auquel vous souhaitez vous connecter. Ensuite, tapez des lettres / chiffres en défilant avec le **Bouton de sélection** ou en appuyant sur les touches **NUMÉRO / LETTRE** jusqu'à ce que le bon chiffre soit affiché et cliquez sur le bouton **DROIT** pour accéder au chiffre suivant. Une fois terminé, appuyez sur la touche **OK** pour confirmer.
- Si vous sélectionnez "**NON**" alors vous pourrez régler cela plus tard dans les paramètres de configuration.

Réseau sans fil (WPS PBC)

Au stade "**Voulez-vous configurer le réseau maintenant ?**", si vous sélectionnez "**OUI (WPS)**" votre radio commencera à chercher des connexions WiFi.

Lorsque cette option aura été sélectionnée, vous aurez 120 secondes pour cliquer sur le bouton **WPS** sur votre modem WiFi. Cela connectera votre WiFi à votre radio sans écrire manuellement le mot de passe.

Connexion WIFI complète !

Une fois que votre WiFi est complété en entrant manuellement votre mot de passe WiFi via WPS, vous serez redirigé vers l'écran du menu principal et le signal WiFi apparaîtra en blanc en haut à gauche. Votre radio internet est maintenant installée !

Radio Internet

Utilisez les boutons **GAUCHE/DROITE** ou tournez le bouton de sélection pour choisir <**Radio Internet**> dans l'écran Menu, appuyez sur le bouton **OK** pour entrer, et vous trouverez plusieurs options :

Mes favoris : Vos stations préférées seront enregistrées ici pour faciliter

l'écoute. Vous pouvez appuyer directement sur la touche **FAV** pour afficher votre liste de stations préférées.

Station de radio / musique : Sélectionnez cette option pour parcourir les stations de radio Internet dans les catégories suivantes : Top 20 mondial, Genre, Pays/Localisation, À l'honneur. Recherchez des stations dans les catégories appropriées et sélectionnez votre station internet choisie en appuyant sur le bouton **OK**.

Radio locale : La radio est automatiquement configurée pour détecter les 10 principales stations de votre pays, toutes les stations, ainsi qu'une variété de genres en catégories par ordre alphabétique. Sélectionnez la catégorie que vous souhaitez écouter avec le bouton **OK** et continuez à naviguer jusqu'à la station désirée.

Radio Sommeil Choisissez parmi plusieurs sons de relaxation.

Historique : Parcourez les stations récemment écoutées.

Service : Recherchez une station de radio ou Ajoutez une nouvelle station de radio.

- Vous pouvez utiliser les touches **NOMBRE / LETTRE** pour rechercher une station de radio.
- Pour ajouter une nouvelle station de radio, utilisez les touches **LETTRE / CHIFFRE** pour mettre en surbrillance le caractère choisi et cliquez sur le bouton **DROIT** pour passer au caractère suivant. Pour revenir au caractère précédent, appuyez sur le bouton **GAUCHE** pour le mettre en évidence. Appuyez sur la touche **OK** pour rechercher la station Internet.

Enregistrez vos stations de radio Internet préférées

Lorsque vous avez trouvé la station souhaitée, maintenez la touche **FAVOR** enfoncée pour accéder à l'écran de configuration "**Ajouter à mes Favoris**". Tournez le **cadran de sélection** ou appuyez sur les boutons **HAUT/BAS** pour choisir le numéro de pré-réglage et appuyez sur la touche **OK** pour confirmer votre option.

Radio FM

La plage de fréquence FM est comprise entre 87,5 MHz et 108,00 MHz.

Allongez l'antenne pour trouver le signal le plus fort pour chaque station.

Utilisez les boutons **GAUCHE/DROITE** ou tournez le bouton de sélection pour choisir <**FM**> dans l'écran Menu, appuyez ensuite sur le bouton **OK** pour entrer sur l'écran FM.

Réglage des stations

Appuyez sur les touches **HAUT/BAS** sur la télécommande ou sur le panneau avant pour régler la fréquence vers le haut ou vers le bas par étape de **0,05 MHz**.

Appuyez sur les boutons **GAUCHE/DROIT** sur la télécommande pour passer à la station précédente ou suivante disposant de la réception la plus puissante. Une fois qu'une station a été trouvée, le balayage s'arrête automatiquement.

Appuyez sur la touche **OK**, "**Auto Scan**" apparaîtra à l'écran. Si vous choisissez "**OUI**", la radio commencera à rechercher les stations de la basse à la haute fréquence. Et cela enregistrera les stations trouvées automatiquement.

Mémoriser des stations

Pour enregistrer votre station préférée, vous devez d'abord écouter cette station, appuyez longuement sur le bouton **FAV** sur la télécommande, utilisez les touches **HAUT/BAS** ou faites tourner le **Bouton de sélection** pour choisir le chiffre que vous souhaitez enregistrer. Appuyez ensuite sur le bouton **OK** pour confirmer le pré-réglage.

Rappel d'une station mémorisée

1. Appuyez sur les boutons **PRÉCÉDENT/SUIVANT** sur la télécommande pour passer à la station précédente ou suivante présélectionnée.
2. Ou vous pouvez appuyer sur la touche **FAV** pour sélectionner la station mémorisée, appuyez sur la touche **OK** pour écouter.

DAB/DAB+

Utilisez les boutons **GAUCHE/DROITE** ou tournez le **Bouton de sélection** pour choisir <**DAB/DAB+**> dans l'écran Menu principal, appuyez sur le bouton **OK** pour accéder au mode DAB/DAB+.

Lors de la première utilisation de DAB sur votre radio, celle-ci commencera à rechercher les stations DAB et affichera "**Scanning**" sur l'écran d'affichage. Le nombre de stations trouvées s'affichera au fur et à mesure de la recherche.

Une fois que toutes les stations disponibles ont été trouvées, l'écran radio affiche le choix des stations disponibles. Utilisez le **Bouton de sélection** pour faire défiler et mettre en évidence la station choisie. Sélectionnez la station en appuyant sur le bouton **OK**.

Lorsque vous avez sélectionné une station, l'écran affiche la station et commence à émettre.

Pour choisir la station précédente ou suivante, appuyez sur la touche **PRÉCÉDENT** ou **SUIVANT** pour faire défiler en conséquence.

Lorsque vous êtes sur la station choisie, appuyez sur la touche **INFO** pour afficher les informations sur la station. L'écran fera défiler automatiquement les informations et affichera le genre, MHz, la lecture des chansons, KHz et Kbps.

Pour revenir à la liste pour faire défiler manuellement, appuyez sur le bouton **GAUCHE** pour revenir à la liste.

Pré-réglage de vos stations DAB / DAB + préférées

Lorsque vous avez trouvé la station souhaitée, maintenez la touche **FAV** enfoncée pendant quelques secondes pour accéder à l'écran **"Ajouter à mes favoris"**. Faites tourner le **Bouton de sélection** pour choisir le nombre de pré-réglages et appuyez sur la touche **OK** pour confirmer.

Sinon, lorsque vous êtes sur l'écran de liste des stations DAB, vous avez la possibilité de sélectionner la station choisie et maintenir la touche **FAV** pour suivre les indications ci-dessus.

Pour afficher vos stations préférées pré-réglées, appuyez sur la touche **FAV** et utilisez le bouton **HAUT** ou **BAS** pour faire défiler la liste des pré-réglages.

Centre d'information

Utilisez les boutons **GAUCHE/DROITE** ou tournez le **Bouton de sélection** pour choisir **<Information Center>**. Sur l'écran du Menu, appuyez sur le bouton **OK** pour accéder à l'écran du centre de documentation.

Informations météorologiques : Pour sélectionner les informations météo pour l'endroit souhaité, sélectionnez d'abord le continent en utilisant le **Bouton de sélection** pour faire défiler et le bouton **OK** pour confirmer. Ensuite, le pays, suivi de la ville.

Une fois la ville choisie, les informations suivantes s'afficheront : la température du moment, l'image du symbole météo, la plage de température approximative pour les 5 prochains jours.

Informations financières : Choisissez parmi un éventail d'indices boursiers du monde entier. Utilisez le bouton

Bouton de sélection pour faire défiler et le bouton **OK** pour confirmer.

Informations sur le système : Affichez la version du système et les informations de connexion sans fil. Si des informations sans fil sont sélectionnées, des informations telles que la puissance du signal WIFI peuvent être trouvées.

Fonction AUX

Entrée AUX (AUX IN)

Utilisez les boutons **GAUCHE/DROITE** ou tournez le **Bouton de sélection** pour choisir **<AUX>** dans l'écran Menu, appuyez sur le bouton **OK** pour accéder au mode AUX.

Branchez un câble AUX dans votre radio et branchez le câble sur le port AUX-IN situé à l'arrière de la radio. Commencez à émettre de l'audio à partir de votre appareil et cela devrait émettre sur la radio en mode AUX.

Sortie ligne (casque)

Sur le panneau arrière de la radio, la **Prise de casque** permet d'écouter l'audio de votre radio. Commencez à lire de l'audio à partir des paramètres Radio Internet, Media Center, AUX ou Bluetooth.

Bluetooth

Utilisez les boutons **GAUCHE/DROITE** ou tournez le **Bouton de sélection** pour choisir **<Bluetooth>** dans l'écran Menu, appuyez sur le bouton **OK** pour accéder au mode Bluetooth.

1. Accédez aux paramètres de votre appareil pour connecter votre appareil à la radio via Bluetooth.

2. Sélectionnez le nom **"SHARP DR-1470"** dans la liste que l'on peut trouver à partir de votre appareil. Une fois la connexion établie, la radio émettra un son **"Connecté"**, et **"Bluetooth Connecté"** apparaîtra à l'écran.
3. Sélectionnez l'audio choisi sur votre appareil et écoutez-le.
4. Vous pouvez maintenant profiter de la musique de votre appareil.
5. Pour vous déconnecter l'un de l'autre, basculez vers un autre mode de lecture ou désactivez la fonction Bluetooth sur votre appareil.

Configuration

Utilisez les boutons **GAUCHE/DROITE** ou tournez le **Bouton de sélection** pour choisir **<Configuration>** dans l'écran Menu principal, appuyez sur le bouton **OK** pour accéder au réglage de la configuration.

Affichage de l'heure

Définissez le type d'affichage de l'heure : Analogique ou numérique.

Gérer mes médias U

Réglez la fonction sur Activer ou Désactiver.

Réseau

• Configuration du réseau sans fil

- Sur les paramètres réseau, vous pouvez configurer une connexion WIFI en sélectionnant Configuration du réseau sans fil. La radio commencera alors à rechercher les connexions WIFI disponibles.
- Trouvez votre connexion WIFI et sélectionnez-la avec le bouton **OK**. Pour saisir des lettres / chiffres, utilisez le **Bouton de sélection** ou appuyez sur les touches **LETTR/CHIFFRE** jusqu'à ce que le chiffre correct soit affiché. Appuyez ensuite sur le bouton **DROIT** pour passer au chiffre suivant. Appuyez sur le bouton **GAUCHE** si vous voulez revenir au chiffre précédent. Une fois terminé, appuyez sur la touche **OK** pour confirmer.
- Une fois votre WIFI connecté, l'écran du menu principal apparaîtra et le signal WIFI apparaîtra en blanc dans le coin supérieur gauche.

• Réseau sans fil (WPS PBC)

- Sélectionnez cette option pour rechercher la connexion WIFI. Pendant que cette option a été sélectionnée, vous aurez 120 secondes pour cliquer sur le bouton WPS de votre modem WIFI. Cela connectera votre WIFI à votre radio sans écrire manuellement le mot de passe.

• Configuration manuelle

- Vous pouvez définir manuellement les données sans fil : DHCP, entrez SSID et Gérer.

• Vérifiez le réseau lorsque l'appareil est allumé

- Définissez Activer ou Désactiver.

Date & heure

• Définir la date et l'heure

• Configuration manuelle ou détection automatique

Il y a la possibilité de définir manuellement l'heure et la date au lieu d'utiliser la détection automatique pour les configurer. Tournez le **Bouton de sélection** ou appuyez sur les touches numériques pour saisir le chiffre souhaité s'il s'agit du mois. Une fois que vous avez le bon chiffre, cliquez sur le bouton **DROIT** pour accéder au réglage du jour. Continue ce processus avec l'année, l'heure et les minutes. Une fois la configuration manuelle terminée, appuyez sur la touche **OK** pour confirmer. Pour annuler le format de la date et de l'heure, vous pouvez modifier ces paramètres sous la fonction « Date et heure ».

- **Définir le format de l'heure** : Pour définir le format de l'heure, 12 heures ou 24 heures.

- **Définir le format de date** : AAAA/MM/JJ, JJ/MM/AAAA, MM/JJ/AAAA

Sonnerie

• Définir la Sonnerie 1/Sonnerie 2

- Pour définir une sonnerie sur votre radio, rendez-vous sur les paramètres de **"Configuration"** et faites défiler pour sélectionner **"Sonnerie"** ou cliquez sur le bouton **ALARM** directement sur la télécommande.
- Après avoir accédé à l'écran de réglage de la sonnerie, sélectionnez **"Sonnerie 1 (Désactiver)"** ou **"Sonnerie 2 (Désactiver)"** et choisissez **"Activer"** pour activer la sonnerie.
- Sélectionnez **"Répéter"** pour choisir la régularité de votre alarme en appuyant sur le bouton **OK**. Vous pouvez choisir entre Chaque jour, Une fois ou sélectionner des jours particuliers pour que l'alarme

sonne. Une fois que vous avez fait votre choix, appuyez sur le bouton **GAUCHE** pour revenir aux autres paramètres de sonnerie.

- Sélectionnez **“Heure”** et faites tourner le **Bouton de sélection** pour mettre en évidence l'heure de la sonnerie. Une fois que vous avez trouvé les heures souhaitées, appuyez sur le bouton **DROIT** pour changer les minutes.
- Une fois que les minutes sont à la valeur correcte, appuyez sur le bouton **DROIT** pour modifier **“AM”** ou **“PM”**, appuyez ensuite sur le bouton **OK** pour confirmer et revenir aux paramètres de sonnerie.
- Maintenant, faites défiler vers le bas et sélectionnez **“Son”** en appuyant sur la touche **OK**. Vous pouvez maintenant choisir entre BEEP, melody, radio Internet, FM ou DAB / DAB +.
- Si vous réglez le son de votre alarme comme Radio Internet, FM ou DAB / DAB +, vous serez alors amené à parcourir vos stations préférées préréglées. Sélectionnez la station de sonnerie de votre choix en appuyant sur le bouton **OK**.
- Le symbole d'alarme apparaîtra sur l'écran d'affichage principal.
- **Comment annuler votre alarme**
- Pour annuler votre sonnerie, sélectionnez **“Alarm”** dans les paramètres de configuration ou avec le bouton **ALARM** et sélectionnez la sonnerie que vous souhaitez désactiver.
- Une fois la sonnerie sélectionnée, vous aurez la possibilité de l'éteindre ou de l'allumer. Mettez en surbrillance l'option **“Eteindre”** et appuyez sur la touche **OK** pour confirmer.

REMARQUE : *Changez le volume de la sonnerie en allant sur les paramètres du “Volume de la sonnerie” dans l'écran de réglage des sonneries.*

- **Comment désactiver votre sonnerie lorsqu'elle retentit**
- Lorsque votre sonnerie retentit, appuyez sur la touche **ALARM** ou **STANDBY** sur la télécommande pour arrêter l'alarme. Si vous avez défini une alarme pour qu'elle sonne tous les jours ou plus d'une fois, l'icône d'alarme restera affichée à l'écran.
- **Comment mettre votre sonnerie sur SNOOZE**
- Lorsque votre sonnerie retentit, appuyez sur n'importe quel bouton sauf **STANDBY** ou **ALARM** arrêter le son et passer en mode **SNOOZE**. La fonction **SNOOZE** fera retentir la radio au bout de 5 minutes.

REMARQUE : *Arrêtez la sonnerie SNOOZE en appuyant sur le bouton ALARM ou STANDBY.*

- **Sonnerie de sieste**
- Après avoir sélectionné l'alarme **“Alarm”** dans les paramètres de configuration, ou le bouton **ALARM** sur la télécommande pour sélectionner **“Sonnerie Sieste (Désactiver)”**.
- Choisissez le nombre de minutes pendant lesquelles vous souhaitez profiter de l'alarme de la sieste avec l'option de : Désactiver, 5 minutes, 10 minutes, 20 minutes, 30 minutes, 60 minutes, 90 minutes, 120 minutes.
- **Volume d'alarme**
- Changer le volume de l'alarme en tournant le **Bouton de sélection** ou les boutons **GAUCHE/DROIT** pour effectuer le changement.
- Une fois le volume sonore choisi, appuyez sur la touche **OK** pour confirmer.

Minuterie

- Dans les paramètres de **“Configuration”**, sélectionnez l'option **“Minuterie”** et un écran avec 00:00 s'affichera.
- Pour augmenter en secondes, cliquez sur le bouton **DROITE**. Pour diminuer en secondes, cliquez sur le bouton **GAUCHE**. Appuyez sur les boutons **GAUCHE/DROIT** et maintenez-les enfoncés pour vous déplacer rapidement dans la minuterie.
- Une fois que vous avez choisi le nombre correct de minutes, confirmez-le en appuyant sur la touche **OK**.

Langue

Sélectionnez la langue choisie dans la liste.

Dimmer (Variateur de lumière)

- Pour régler la luminosité de votre radio, accédez aux paramètres de **“Configuration”** et sélectionnez **“Dimmer”**. Vous pouvez choisir le mode **“Économie d'énergie”** ou **“Allumé”**.

- Sélectionnez le mode **“Économie d'énergie”** pour changer l'un de vos niveaux de luminosité avec le choix jusqu'à 20 niveaux. Lorsqu'il n'y a pas d'activité de la radio pendant 15 secondes, ce niveau de luminosité plus faible est défini jusqu'à ce que vous cliquiez sur un bouton et que le paramètre **“Allumer”** s'active.
- Sélectionnez le mode **“Allumer”** pour qu'il devienne la luminosité active lorsque la radio est en cours d'usage.
- Vous pouvez également modifier deux paramètres de luminosité en appuyant directement sur le bouton **DIMMER** sur la télécommande sur le panneau avant directement.

Affichage

Choisissez que l'écran soit **Couleur** ou **Monochrome**.

Gestion de l'alimentation électrique

Sélectionnez cette option pour configurer la radio afin qu'elle passe automatiquement en mode veille après une durée d'inactivité définie ou en l'absence de signal WIFI. Vous pouvez sélectionner **5/15/30 minutes** pour passer en mode veille, ou vous pouvez sélectionner **Eteindre** pour ignorer cette fonction.

Minuteur de mise en veille

- Pour régler un minuteur de mise en veille, rendez-vous sur les paramètres de **“Configuration”** et sélectionnez **“Minuterie de mise en veille”**; Vous pouvez choisir **Eteindre, 15, 30, 60, 90, 120, 150, 180 minutes**.
- Vous pouvez également appuyer plusieurs fois sur la touche **VEILLE** sur la télécommande pour basculer entre les temps de veille en haut à droite de l'écran. Il existe une option entre **15, 30, 60, 90, 120, 150, 180 minutes**.
- Une fois que la minuterie d'arrêt a été sélectionnée, la quantité de minutes et une image de veille s'affichent en haut à droite de l'écran.

Mémoire tampon

Configurer le temps de la mémoire tampon de la lecture de la musique : **2 / 4 / 8 secondes**.

Météo

- **Définir la localisation :** Choisissez et entrez votre localisation.
- **Unité de température :** Choisissez votre température préférée "Celsius" ou "Fahrenheit".
- **Afficher en mode veille :** Choisissez "Off" ou "On" pour désactiver ou activer l'affichage des prévisions météo sur l'écran de veille. Lorsque vous activez l'affichage des prévisions météo, il s'affiche sur l'écran de veille toutes les 10 secondes.

Configuration FM

- **Mode :** Vous pouvez définir le mode « Mono » ou « Stéréo ».
- **Seuil :** Sélectionnez les paramètres de seuil (seuil de recherche / seuil stéréo).
- (Le seuil doit être réglé sur la commutation automatique entre les modes mono et stéréo. En une semaine de réception, le système bascule automatiquement en mode mono pour réduire le bruit de fond de la station, pour une écoute plus définie.)

Configuration Radio locale

Configurez manuellement votre position pour la radio locale plutôt que d'autoriser la détection automatique de la radio.

Configuration de la lecture

Sélectionnez le mode de lecture du Media Center : Off, Répéter tout, Répéter un seul, Aléatoire.

Appareil

Le nom par défaut pour DLAN est « AirMusic ». Vous pouvez renommer le périphérique pour la configuration DLAN.

Key (Touche)

Dans cette interface de réglage, vous pouvez sélectionner **“Alarm”**, **“Dimmer”**, **“Equaliser”**, **“Local Radio”**, **“Mode”**, **“Preset”**, **“Sleep Timer”** et **“Timer”** pour confirmer la fonction du bouton **MODE** sur le panneau avant et la télécommande.

Égaliseur

L'EQ par défaut est normal. Vous pouvez l'changer par Flat, Jazz, Rock, bande son, Classique, Pop, Infos ou mon EQ.

Reprendre à la mise en route de l'appareil

Activez la fonction pour que la radio reprenne une fois allumée. Par contre, l'écran restera dans le menu principal.

Mise à jour logicielle

Sera affiché ici si une mise à jour logicielle est disponible pour la radio. S'il en existe une, veuillez sélectionner la mise à jour à lancer.

Réinitialiser à la valeur par défaut

Sélectionnez cette option pour réinitialiser votre radio et annuler tous les réglages et préréglages effectués. Confirmez que vous souhaitez réinitialiser l'unité et ses paramètres en sélectionnant **"OUI"**.

Dépannage

Ce produit ne contient aucune pièce réparable par l'utilisateur. En cas de défaut, contactez le fabricant ou le département de service après-vente autorisé. L'exposition aux pièces internes situées à l'intérieur de l'appareil peuvent mettre votre vie en danger. La garantie du fabricant ne couvre pas les défauts provoqués par des réparations effectuées par des tiers non autorisés.

Absence de son

Cause

- Le volume n'est pas activé.

Solution

- Ajustez le bouton de volume principal.

Aucun son à partir de la connexion Bluetooth

Solution

- Vérifiez si le périphérique externe requiert le mot de passe «0000» pour commencer.

Le Wi-Fi ne se connecte pas

Solution

- Assurez-vous que le mode WIFI est sélectionné dans les paramètres et que le mot de passe correct a été saisi pour le modem WIFI.

Son statique

Cause

- La réception du signal est trop faible.

Solution

- Ajustez l'antenne ou déplacez l'appareil vers un emplacement de signal plus fort.

Le son est déformé

Cause

- Le volume est trop élevé

Solution

- Réduisez le volume

Station souhaitée introuvable

Cause

- Signal faible

Solution

- Utilisez la fonction de réglage manuel

Pas de fonctions DAB

Cause

- Aucune couverture DAB dans votre secteur.
- Mauvaise réception

Solution

- Ajustez la position de l'antenne.

L'écran est blanc

Cause

- Cela peut se produire si le diffuseur change l'appellation d'un service ou supprime une appellation lors de la mise au point.

Solution

- La radio essayera un nouveau réglage.
- Procéder à un balayage

Pas d'alimentation

Cause

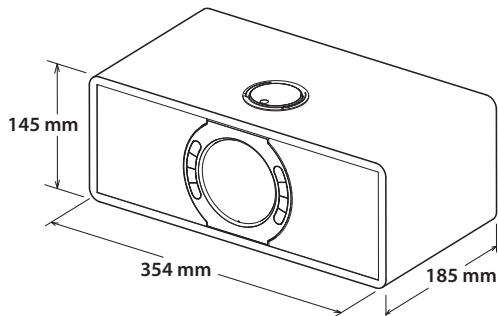
- L'adaptateur n'est pas connecté à la prise murale.

Solution

- Assurez-vous que l'adaptateur est branché.

Spécification technique

Modèle	DR-I470
Puissance de sortie	2x7W (RMS)
Consommation électrique (max.)	28W
Consommation électrique (standard)	8W
Consommation électrique en veille	<1W
Fréquence FM	87.5-108MHz
Fréquence DAB+	174.928-239.200MHz
Bluetooth	
Version	V2.1+ EDR
Bande de fréquences	2402 MHz ~ 2480 MHz
Puissance maximale transmise	4dBm
Power Adapter	
Nom du modèle :	FJ-SW1202000N
Entrée :	AC 100-240V ~ 50/60Hz, 0.6A Max
Sortie :	DC 12V ≈2000mA
Fabricant :	SHENZHEN FU JIA APPLIANCE CO., LTD B1,Xujing chang Industrial Park, Haoye Road, Fuyong 518103 Shenzhen, China
WIFI	
Connexion WIFI:	802.11 b/g/n; STA/AP/AP Client



KG 3,16kg

Ważne środki ostrożności

Proszę zapoznać się z niniejszymi instrukcjami bezpieczeństwa i wziąć pod uwagę poniższe ostrzeżenia zanim urządzenie zostanie uruchomione:



Wykrzyknik wewnątrz trójkąta równobocznego powiadamia użytkownika o ważnych wskazaniach dotyczących obsługi i konserwacji (serwisowania) zawartych w instrukcji obsługi urządzenia.



Należy korzystać wyłącznie z zasilacza opisanego w instrukcji obsługi.



Ten symbol oznacza, że produkt należy usuwać w sposób przyjazny dla środowiska, a nie z innymi odpadkami gospodarczymi.



napięcie zmienne



napięcie stałe



urządzenie klasy II



Tylko do użytku w pomieszczeniach



Efektywność energetyczna na poziomie VI

Biegunowość zasilacza prądu stałego

Żeby zapobiec pożarowi, zawsze trzymaj świece i inne źródła otwartego ognia z daleka od urządzenia.



Ostrzeżenie:

- Zawsze zachowaj podstawowe środki ostrożności podczas korzystania z urządzenia, zwłaszcza w obecności dzieci.
- Nadzoruj dzieci, by nie bawiły się urządzeniem.
- Należy chronić przewód zasilający przed uszkodzeniem, nie umieszczać na nim ciężkich przedmiotów, rozciągaj go ani zginaj. Nie podłączaj urządzenia do przedłużacza. Uszkodzenie przewodu zasilającego może spowodować pożar lub porażenie prądem.
- Uważaj, by nie uszkodzić kabla zasilającego: nie stawiaj na nim ciężkich przedmiotów, nie rozciągaj go ani nie wyginaj. Nie podłączaj urządzenia do przedłużacza. Uszkodzenie kabla zasilającego może spowodować pożar lub porażenie prądem.
- Jeśli przewód zasilający zostanie uszkodzony, należy go wymienić u producenta, w serwisie lub u innej wykwalifikowanej osoby, żeby ochronić się przed zagrożeniem.
- Dopilnuj, by urządzenie zostało podłączone do gniazda zasilania 100-240V ~ 50/60Hz. Używanie wyższego napięcia może powodować awarie, a nawet zapalenie się urządzenia.
- Jeśli wtyczka nie mieści się w gnieździe, nie wolno wciskać jej na siłę.
- Wyłącz urządzenie przed odłączeniem go od prądu, by całkowicie je wyłączyć.
- Nie odłączaj ani nie podłączaj kabla zasilającego mokrymi rękami. Może to spowodować porażenie prądem.
- Jeśli urządzenie nie jest używane przez dłuższy czas, należy odłączyć je od źródła zasilania.
- Dopilnuj, by wtyczka była zawsze łatwo dostępna.
- Niniejszy produkt nie posiada żadnych części, które może naprawiać użytkownik. W przypadku wystąpienia usterki skontaktuj się z producentem lub autoryzowanym serwisem. Odsłanianie wewnętrznych części

urządzenia może stanowić zagrożenie dla życia. Gwarancja nie obejmuje usterek wywołanych naprawami wykonywanymi przez nieupoważnione strony trzecie.

- Nie używaj produktu tuż po rozpakowaniu. Przed użyciem należy odczekać, aż urządzenie nagrzeje się do temperatury pokojowej.
- Urządzenia można używać tylko w umiarkowanym klimacie (nie w klimacie zwrotnikowym i podzwrotnikowym).
- Umieść urządzenie na płaskiej, stabilnej powierzchni, która nie jest narażona na wibracje.
- Dopilnuj, by urządzenie nie wystawało za krawędź mebla, na którym stoi.
- Aby zmniejszyć ryzyko pożaru, porażenia prądem i uszkodzenia produktu, nie wystawiaj go na bezpośrednie działanie światła słonecznego, kurzu, deszczu czy wilgoci. Nigdy nie narażaj urządzenia na zamoczenie lub zachlapanie i nie stawiaj na nim ani w jego pobliżu zbiorników wypełnianych cieczą.
- Nie stawiaj żadnych przedmiotów ani zbiorników z płynami, takich jak wazony itp., na urządzeniu.
- Nie umieszczaj urządzenia w pobliżu źródeł ciepła, takich jak grzejniki, nawiewy, piece czy inne urządzenia (w tym wzmacniacze) emitujące ciepło.
- Nie umieszczaj produktu tam, gdzie wilgotność jest wysoka, a wentylacja słaba.
- Dopilnuj, by zostawić 5 cm wolnego miejsca wokół urządzenia dla zapewnienia odpowiedniej wentylacji. Nie zakrywaj otworów wentylacyjnych urządzenia. Upewnij się, że otwory wentylacyjne nie są zakryte przedmiotami, takimi jak gazety, ściereki, zasłony itp.
- NIGDY nie pozwalaj nikomu, zwłaszcza dzieciom, wpychać czegokolwiek w otwory, gniazda i inne szczeliny w obudowie urządzenia: może to skutkować śmiertelnym porażeniem prądem.
- Burze stanowią niebezpieczeństwo dla wszystkich urządzeń elektrycznych. Jeśli przewód zasilający lub przewody antenowe zostaną trafione piorunem, urządzenie może zostać uszkodzone, nawet gdy jest wyłączone. Przed nadejściem burzy należy odłączyć od urządzenia wszystkie przewody i złącza.
- Sluchanie zbyt głośnych dźwięków przez słuchawki douszne i nauszne może powodować utratę słuchu.

Konserwacja

- Przed czyszczeniem urządzenia odłącz przewód zasilający od prądu.
- Do czyszczenia zewnętrznej części obudowy użyj miękkiej, czystej ściereczki. Nigdy nie czyść obudowy chemikaliami ani detergentami.

Zasilacz

- Żeby odłączyć urządzenie od zasilania sieciowego, odłącz przewód zasilający od gniazda elektrycznego.
- Korzystaj wyłącznie z zasilacza dostarczonego w zestawie. Użycie innego zasilacza może spowodować zagrożenie dla bezpieczeństwa i/lub uszkodzenie urządzenia.

Baterie

- Zachowaj prawidłową polaryzację, gdy montujesz baterie.
- Nie wystawiaj baterii na działanie wysokich temperatur i nie umieszczaj ich w miejscach, których temperatura może gwałtownie wzrosnąć, np. w pobliżu ognia lub w bezpośrednim świetle słonecznym.
- Nie wystawiaj baterii na działanie nadmiernego ciepła, nie wrzucaj ich do ognia, nie rozmontowuj i nie próbuj ładować zwykłych baterii. Mogłyby wycieć lub eksplodować.
- Nigdy nie stosuj jednocześnie różnych baterii i nie łącz baterii nowych ze starymi.
- Jeśli wiesz, że pilot nie będzie używany przez dłuższy czas (ponad miesiąc), wyjmij z niego baterie, by nie wyciekły.
- Jeśli baterie wyciekną, wytrzyj komorę baterii i zastąp baterie nowymi.
- Nie używaj innych baterii niż wskazane w instrukcji.



- **Nie wkładaj baterii do ust - stwarza to ryzyko poparzenia chemicznego.**
- Jeśli bateria zostanie połknięta, może spowodować poważne poparzenia wewnętrzne w zaledwie dwie godziny, czego rezultatem może być śmierć. Trzymaj nowe i stare baterie poza zasięgiem dzieci. Jeśli komora baterii nie zamyka się prawidłowo, przestań używać pilota i trzymaj go poza zasięgiem dzieci. Jeśli podejrzewasz połknięcie baterii lub umieszczenie jej wewnątrz jakiegokolwiek części ciała, natychmiast zgłoś się do lekarza.

Usuwanie produktu i baterii

- Nie wyrzucaj niniejszego urządzenia do niesortowanych śmieci z gospodarstwa domowego. Oddaj je do wyznaczonego punktu odbioru w celu przetworzenia zgodnie z przepisami WEEE. W ten sposób oszczędzasz zasoby naturalne i chronisz środowisko.
- Większość państw UE posiada przepisy regulujące usuwanie baterii. Więcej informacji możesz uzyskać od sprzedawcy lub lokalnych władz.



- Powyższy symbol umieszczony jest na urządzeniach elektrycznych i elektronicznych (lub na ich opakowaniach), by przypomnieć użytkownikowi o tej zasadzie.
- Użytkownicy powinni zgłaszać się do wyznaczonych punktów odbioru zużytych urządzeń i baterii.

Deklaracja zgodności:

- UMC Poland sp. z o.o. niniejszym oświadcza, że to urządzenie spełnia zasadnicze wymagania oraz inne odnośne normy określone w dyrektywie RED 2014/53/UE. Pełen tekst deklaracji zgodności WE jest dostępny pod następującym linkiem: <http://www.sharpconsumer.eu/documents-of-confirmity>

Znaki handlowe:



Nazwa i logo *Bluetooth*® są zarejestrowanymi znakami handlowymi firmy Bluetooth SIG., Inc.



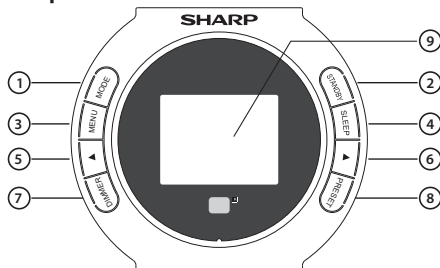
Logo Wi-Fi CERTIFIED jest zastrzeżonym znakiem towarowym Wi-Fi Alliance.

Zawartość opakowania

- 1x Urządzenie główne
- 1x Pilot zdalnego sterowania
- 1x Instrukcja obsługi
- 1x Zasilacz
- 1x wtyczka sieciowa do zasilacza w wersji dla Wielkiej Brytanii
- 1x wtyczka sieciowa do zasilacza w wersji dla krajów UE

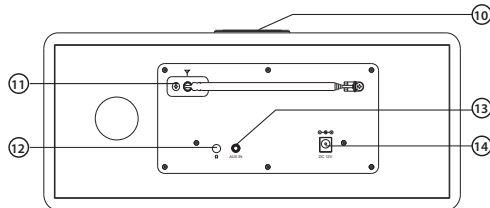
Panele i przyciski

Przedni panel



- Przycisk MODE** – Naciśnij, aby zmienić tryb: DAB/DAB+, FM, Radio Internetowe, Bluetooth, AUX IN.
Tryb można również ustawić za pomocą innej funkcji, menu <Key>
USTAWIENIA: Budzik, Jasność ekranu, Equalizer, Stacja lokalna, Tryb, Ulubione stacje, Auto wyłączenie, Minutnik.
- UWAGA:** Domyślną funkcją tego przycisku jest zmiana trybu.
- Przycisk STANDBY** – Naciśnij, aby włączyć urządzenie lub przełączyć je do trybu czuwania.
- Przycisk MENU** – Naciśnij, aby wejść do interfejsu ustawień MENU.
- Przycisk SLEEP** – Naciśnij kilkakrotnie, aby ustawić żądany czas wyłączenia urządzenia.
- ◀** – W oknie ustawień naciśnij ten przycisk, aby przejść do poprzedniego wyboru. Podczas słuchania programu radiowego krótkie naciśnięcie spowoduje zmniejszenie częstotliwości ze skokiem o 0,05 MHz.
- ▶** – Naciśnij w oknie ustawień, aby przejść do następnego wyboru. Podczas słuchania programu radiowego krótkie naciśnięcie spowoduje zwiększenie częstotliwości ze skokiem o 0,05 MHz.
- Przycisk DIMMER** – Naciśnij, aby ustawić poziom podświetlenia.
- Przycisk PRESET** – Naciśnij podczas odtwarzania z radia internetowego naciśnij, aby przełączyć się do okna stacja radiowa/muzyka.
- EKRAN** – wyświetlanie informacji

Tyłny panel

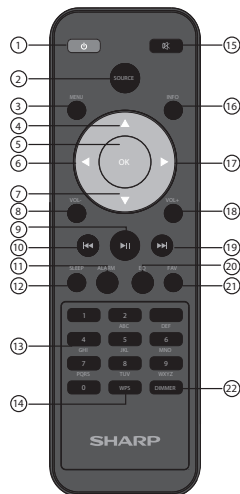


- Pokrętło regulacji głośności/pokrętło wyboru/ przycisk OK** – Podczas odtwarzania obróć pokrętło, aby ustawić poziom głośności.

Podczas przeprowadzania ustawień w menu obróć pokrętło, aby wybrać opcje; naciśnij, aby zatwierdzić wybór.

- 11. Antena teleskopowa** – odbiór sygnału FM
- 12. Gniazdo słuchawkowe** – gniazdo słuchawkowe z wtyczką \varnothing 3,5 mm
- 13. Gniazdo AUX IN** – podłącz kabel audio z wtyczką \varnothing 3,5 mm, aby odtwarzać nagrania muzyczne z zewnętrznego urządzenia audio.
- 14. Gniazdo DC12V** – zasilanie prądem stałym 12V

Pilot zdalnego sterowania



- Przycisk STANDBY** – Naciśnij przycisk STANDBY na pilocie, aby ponownie aktywować urządzenie lub przełączyć do trybu czuwania.
- Przycisk SOURCE** – Naciśnij przycisk SOURCE, aby zmienić tryby odtwarzania: DAB / DAB +, FM, AUX IN, Bluetooth, Radio internetowe.
Uwaga: Ten przycisk może być użyty jako inna funkcja poprzez ustawienie pozycji <Przycisk Key> w USTAWIENIA: Budzik, Jasność ekranu, Equalizer, Stacja lokalna, Tryb, Ulubione stacje, Auto wyłączenie, Minutnik
- Przycisk MENU** – Naciśnij przycisk MENU na pilocie lub na przednim panelu, aby otworzyć menu odtwarzania. Naciśnij przyciski **KIERUNKOWE** lub obróć pokrętło wyboru, aby przeglądać menu: Radio internetowe, Centrum medialne, FM, DAB/DAB+, Centrum informacyjne, AUX, Bluetooth, Ustawienia, Stacja lokalna.
- Przycisk Góra / 5. Przycisk OK / 6. Przycisk Lewo / 7. Przycisk Dół / 17. Przycisk Prawo** – Naciśnij przycisk UP lub DOWN, albo obróć pokrętło wyboru, aby przeglądać przewijane opcje, a następnie naciśnij przycisk OK, aby zatwierdzić wybór.
- Przycisk VOL- / 18. Przycisk VOL+** – Naciśnij przycisk VOL- lub VOL+, aby wyregulować poziom głośności, albo obróć pokrętło regulacji głośności.
- Przycisk Poprzedni / 19. Przycisk następny** – Podczas odtwarzania muzyki naciśnij przycisk PREVIOUS lub NEXT, aby przejść do poprzedniego lub następnego utworu. Podczas słuchania programu radiowego naciśnij przycisk PREVIOUS lub NEXT, aby przejść do poprzedniej lub następnej stacji radiowej.
- Przycisk PLAY/PAUSE** – Naciśnij przycisk PLAY/PAUSE, aby zatrzymać odtwarzanie. Naciśnij ponownie, aby wznowić odtwarzanie.
- Przycisk ALARM** – Naciśnij przycisk ALARM, aby przeglądać i utworzyć opcje budzika.
- Przycisk SLEEP** – Naciśnij kilkakrotnie przycisk SLEEP, aby wybrać żądany czas wyłączenia urządzenia.
- Przyciski NUMERYCZNE/LITEROWE** – Podczas przeprowadzania ustawień w menu umożliwiają wprowadzanie cyfr lub liter.
- Przycisk WPS** – Ustawienia WPS

- Przycisk MUTE** – Naciśnij przycisk **MUTE**, aby wyciszyć dźwięk. Naciśnij ponownie przycisk **MUTE**, albo naciśnij przyciski **VOL+/-** na pilocie lub obróć pokrętko regulacji głośności na panelu górnym, aby ponownie włączyć dźwięk.
- Przycisk INFO** – Naciśnij przycisk **INFO**, aby sprawdzić informacje o stacjach radiowych.
- Przycisk EQ** – Naciśnij kilkakrotnie przycisk **EQ**, aby wybrać inne pola dźwięku: Normalny, Flat, Jazz, Rock, Muzyka filmowa, Muzyka klasyczna, Pop, Wiadomości, My EQ.
- Przycisk FAV** – Długie naciśnięcie przycisku **FAV** spowoduje zapamiętanie stacji radiowej. Krótkie naciśnięcie przycisku **FAV** umożliwi wyświetlenie ulubionych stacji radiowych zapisanych w pamięci.
- Przycisk DIMMER** – Naciśnij przycisk **DIMMER**, aby wybrać poziom podświetlenia.

Wkładanie lub wymiana baterii w pilocie zdalnego sterowania

- Naciśnij zapadkę osłony komory baterii, znajdującej się z tyłu pilota, w kierunku wytoczonej na niej strzałki.
- Wcisnąc zapadkę, otwórz komorę baterii.
- Włóż dwie baterie, zachowując pokazaną polaryzację + i - . Wymieniaj baterie tylko na takie same jak dostarczone w zestawie.
- Wsuń na miejsce osłonę baterii tak, by usłyszeć kliknięcie.

Uruchomienie radia internetowego

Podłącz kabel zasilacza do gniazda DC IN. Na ekranie wyświetli się napis „**Witaj!**”. Upewnij się, że antena jest wysunięta tak daleko, jak to możliwe. Umożliwi to uzyskanie najlepszego sygnału.

Jeśli po raz pierwszy korzystasz z radia, po wyświetleniu okna powitalnego możesz wybrać język przewijając dostępne opcje **pokrętkiem wyboru** i zatwierdzić wybór naciskając przycisk **OK**.

Po ustawieniu języka wyświetli się komunikat „**Czy po włączeniu zasilania uaktywnisz sprawdzanie sieci?**”. Możesz wybrać „**TAK**” lub „**NIE**”, aby zdecydować, czy urządzenie sprawdza sieć po włączeniu zasilania, czy nie.

Ręczna konfiguracja sieci Wi-Fi

Po przeprowadzeniu powyższych ustawień wyświetli się komunikat „**Czy chcesz teraz skonfigurować sieć?**”.

- Jeśli wybierzesz opcję „**TAK**”, odbiornik radiowy rozpocznie wyszukiwanie pobliskich sieci, by się połączyć. Po zakończeniu wyszukiwania wybierz sieć, z którą chcesz się połączyć. Następnie wprowadź literę/cyfrę obracając **pokrętko wyboru** lub naciskając przyciski **NUMERYCZNE/LITEROWE**, dopóki nie zostanie wyświetlona odpowiednia cyfra. Następnie naciśnij przycisk **RIGHT**, aby wprowadzić kolejną cyfrę. Po zakończeniu naciśnij przycisk **OK**, aby zatwierdzić.
- Jeśli wybierzesz opcję „**NIE**”, możesz przeprowadzić powyższe ustawienia później w menu „Ustawienia”.

Sieć bezprzewodowa (WPS PBC)

Jeśli na etapie „**Czy chcesz teraz skonfigurować sieć?**” wybierzesz „**TAK (WPS)**”, odbiornik radiowy rozpocznie wyszukiwanie połączeń Wi-Fi.

Po wyborze opcji pozostaje 120 sekund na naciśnięcie przycisku **WPS** na modemie Wi-Fi. Spowoduje to połączenie sieci Wi-Fi z radiem bez ręcznego wprowadzania hasła.

Połączenie z siecią Wi-Fi nawiązane!

Po nawiązaniu połączenia z siecią Wi-Fi za pomocą ręcznego wprowadzenia hasła Wi-Fi lub w trybie WPS wyświetli się okno menu głównego, a symbol sygnału Wi-Fi pojawi się na białym polu w lewym górnym narożniku. Radio internetowe zostało skonfigurowane!

Radio internetowe

Użyć przycisków **lewo/prawo** lub obróć **pokrętko wyboru**, aby wybrać w oknie menu <**Radio internetowe**>. Naciśnij przycisk **OK**, aby otworzyć menu. Pojawi się wiele opcji:

Ulubione: Twoje ulubione stacje radiowe zostaną tutaj zapamiętane, aby ułatwić ich słuchanie. Możesz po prostu nacisnąć przycisk **FAV**, aby wyświetlić listę ulubionych stacji.

Stacja radiowa/muzyka: Wybierz opcję, aby przeglądać stacje radia internetowego w kategoriach: Global Top 20, Genre, Country/Location, Highlight. Wyszukaj stacje w odpowiednich kategoriach i wybierz żadaną stację internetową naciskając przycisk **OK**.

Stacja lokalna: Odbiornik radiowy jest automatycznie skonfigurowany w taki sposób, aby wykrywać 10 najlepszych stacji w Twoim kraju, wszystkie stacje oraz rozmaite gatunki w kategoriach, w kolejności alfabetycznej. Wybierz kategorię, której chcesz słuchać naciskając przycisk **OK**. Kontynuuj przeglądanie, dopóki nie wyświetli się ulubiona stacja.

Radio do snu: Wybierz spośród wielu dźwięków relaksacyjnych.

Ostatnio słuchana stacja: Przeglądaj ostatnio słuchane stacje.

Usługi: Wyszukaj stacje radiowe lub dodaj nową stację radiową

- Możesz wykorzystywać przyciski **NUMERYCZNE/LITEROWE** do wyszukiwania stacji radiowych.
- Aby dodać nową stację radiową, wykorzystaj przyciski **NUMERYCZNE/LITEROWE** do zaznaczenia wybranego znaku i naciśnij przycisk **prawo**, aby przejść do następnego znaku. Jeśli chcesz powrócić do poprzedniego znaku, naciśnij przycisk **lewo**, aby go zaznaczyć. Naciśnij przycisk **OK**, aby wyszukać stację internetową.

Zapisz w pamięci ulubione stacje radia internetowego

Po wyszukiwaniu żądanej stacji naciśnij i przytrzymaj przycisk **FAV**, aby wyświetlić okno ustawień „**Dodaj do ulubionych**”. Obróć **pokrętko wyboru** lub naciśnij przycisk **Góra/dół**, aby wybrać zapamiętany numer. Następnie naciśnij przycisk **OK**, aby zatwierdzić wybór.

Radio FM

Zakres częstotliwości FM: od 87,5 MHz do 108,00 MHz. Wsuń antenę, aby wyszukać najsilniejszy sygnał dla poszczególnych stacji radiowych.

Użyj przycisków **lewo/prawo** lub obróć **pokrętko wyboru**, aby wybrać <**FM**> w oknie menu. Następnie naciśnij przycisk **OK**, aby otworzyć okno FM.

Strojenie stacji

Naciśnij przycisk **góra/dół** na pilocie lub przednim panelu, aby ustawić częstotliwość w górę lub w dół ze skokiem o **0,05 MHz**.

Naciśnij przycisk **lewo/prawo** na pilocie, aby przejść do poprzedniej lub następnej stacji o najsilniejszym sygnale. Po znalezieniu stacji wyszukiwanie zostanie zatrzymane automatycznie.

Naciśnij przycisk **OK**, na ekranie wyświetli się komunikat „**Automatyczne wyszukiwanie**”. Jeśli wybierzesz opcję „**TAK**”, odbiornik radiowy rozpocznie wyszukiwanie stacji od niższych do wyższych częstotliwości. Automatycznie wyszukiwane stacje zostaną zapamiętane.

Zapamiętanie stacji

Aby zapamiętać ulubioną stację, należy najpierw posłuchać danej stacji i długo nacisnąć przycisk **FAV** na pilocie. Następnie użyj przycisków **góra/dół** lub obróć **pokrętko wyboru**, aby wybrać numer pod którym chcesz zapamiętać daną stację radiową. Następnie naciśnij przycisk **OK**, aby zatwierdzić ulubioną stację.

Przywołanie zapamiętanej stacji

- Naciśnij przycisk **poprzedni/następny** na pilocie, aby przejść do poprzedniej lub następnej stacji.
- Albo naciśnij przycisk **FAV**, aby wybrać zapamiętaną stację, a następnie naciśnij przycisk **OK**, aby jej posłuchać.

DAB/DAB+

Użyć przycisków **lewo/prawo** lub obróć **pokrętko wyboru**, aby wybrać opcję <**DAB/DAB+**> w oknie menu. Naciśnij przycisk **OK**, aby przejść do trybu DAB/DAB+.

Przy pierwszym użyciu radia DAB rozpocznie się wyszukiwanie stacji DAB i wyświetli się komunikat „**Wyszukiwanie**” na ekranie. Wyświetli się liczba wyszukanych stacji.

Po wyszukiwaniu wszystkich dostępnych stacji na ekranie odbiornika radiowego wyświetli się wybór dostępnych stacji. Za pomocą **pokrętko wyboru** przewiń i zaznacz wybraną stację. Wybierz stację naciskając przycisk **OK**.

Po wyborze stacji na ekranie wyświetli się dana stacja i rozpocznie się odtwarzanie.

Aby wybrać poprzednią lub następną stację, naciśnij przycisk **poprzedni** lub **następny**, aby odpowiednio przewijać stację.

Słuchając wybranej stacji naciśnij przycisk **INFO**, aby wyświetlić informacje o stacji. Informacje na ekranie będą automatycznie przewijane i wyświetli

się gatunek, MHz, odtwarzany utwór, kHz i KB/s.

Aby powrócić do ręcznego przewijania listy, naciśnij przycisk **lewo**.

Wstępne ustawienie ulubionych stacji DAB/DAB+

Po wyszukaniu żądanej stacji naciśnij i przytrzymaj przycisk **FAV** przez kilka sekund, aby przejść do okna „**Dodaj do ulubionych**”. Obróć **pokrętko wyboru**, aby wybrać zapamiętany numer. Naciśnij przycisk **OK**, aby zatwierdzić.

Eventualnie w oknie listy stacji DAB możesz zaznaczyć wybraną stację i nacisnąć przycisk **FAV**, aby postępować zgodnie z powyższymi wskazówkami.

Żeby wyświetlić zapamiętane ulubione stacje, naciśnij przycisk **FAV**, a przyciskiem **góra** lub **doł** prześwini listę zapamiętanych stacji.

Centrum informacyjne

Użyj przycisków **lewo/prawo** lub obróć **pokrętko wyboru**, aby wybrać opcję <**Centrum informacyjne**> w oknie menu. Naciśnij przycisk **OK**, aby przejść do okna centrum informacyjnego.

Informacje o pogodzie: Jeśli chcesz wybrać informacje o pogodzie w żądanym miejscu, najpierw wybierz kontynent za pomocą **pokrętką wyboru**, aby przewinąć dostępne opcje. Następnie naciśnij przycisk **OK**, aby zatwierdzić. Następnie wybierz kraj, miejscowość/miasto.

Po wybraniu miejscowości/miasta zostaną wyświetlone poniższe informacje: bieżąca temperatura, symbol obrazujący pogodę, zakres przybliżonych temperatur na kolejnych 5 dni.

Informacje finansowe: Wybierz z gamy indeksów giełdowych z całego świata. Użyj **pokrętką wyboru**, aby przewinąć dostępne opcje. Następnie naciśnij przycisk **OK**, aby zatwierdzić. **Informacje o systemie:** Wyświetl wersję systemu i informacje o połączeniu bezprzewodowym. Jeśli wybierzesz informacje o połączeniu bezprzewodowym, można wyszukać informacje takie jak siła sygnału Wi-Fi.

Tryb AUX

Port AUX-IN

Użyj przycisków **lewo/prawo** lub obróć **pokrętko wyboru**, aby wybrać opcję <**AUX**> w oknie menu. Naciśnij przycisk **OK**, aby przejść do trybu AUX.

Podłącz kabel AUX do odbiornika radiowego poprzez port AUX-IN z tyłu odbiornika radiowego. Rozpocznij odtwarzanie dźwięku ze swojego urządzenia, który w trybie AUX zostanie odtworzony przez odbiornik radiowy.

Wyjście liniowe (słuchawkowe)

Na tylnym panelu odbiornika radiowego znajduje się gniazdo **słuchawkowe**, które umożliwia słuchanie dźwięku poprzez odbiornik radiowy. Rozpocznij odtwarzanie dźwięku w trybie radia internetowego, centrum medialnego, AUX lub Bluetooth.

Bluetooth

Użyj przycisków **lewo/prawo** lub obróć **pokrętko wyboru**, aby wybrać opcję <**Bluetooth**> w oknie menu. Naciśnij przycisk **OK**, aby przejść do trybu Bluetooth.

- Przejdź do ustawień swojego urządzenia, aby podłączyć je do odbiornika radiowego poprzez Bluetooth.
- Wybierz nazwę „**SHARP DR-1470**” na liście wyszukanych urządzeń. Po pomyślnym podłączeniu odbiornik radiowy wyemituje komunikat „**Connected**” (podłączony), a na ekranie wyświetli się napis „**Bluetooth podłączony**”.
- Wybierz utwór w swoim urządzeniu i odtwarzaj.
- Teraz możesz cieszyć się muzyką odtwarzaną z urządzenia zewnętrznego.
- Aby rozłączyć urządzenie, przełącz się do innego trybu odtwarzania lub wyłącz funkcję Bluetooth w swoim urządzeniu.

Ustawienia

Użyj przycisków **lewo/prawo** lub obróć **pokrętko wyboru**, aby wybrać <**Ustawienia**> w menu głównym. Następnie naciśnij przycisk **OK**, aby otworzyć menu „Ustawienia”.

Typ zegara

Ustaw typ zegara: Analogowy lub cyfrowy.

Zarządzanie My media U

Ustaw funkcję jako aktywną lub nieaktywną.

Sieć

- Konfiguracja sieci bezprzewodowej**
 - W ustawieniach sieciowych możesz skonfigurować połączenie Wi-Fi wybierając konfigurację sieci bezprzewodowej. Odbiornik radiowy rozpocznie wyszukiwanie dostępnych połączeń Wi-Fi.
 - Wyszukaj swoje połączenie Wi-Fi i wybierz je naciskając przycisk **OK**. Do wprowadzania liter/cyfr wykorzystaj **pokrętko wyboru** lub naciśnij przyciski **NUMERYCZNE/LITEROWE**, dopóki nie wyświetli się prawidłowy znak. Następnie naciśnij przycisk **prawo**, aby przejść do kolejnego znaku. Naciśnij przycisk **lewo**, jeśli chcesz powrócić do poprzedniego znaku. Po zakończeniu naciśnij przycisk **OK**, aby zatwierdzić.
 - Po nawiązaniu połączenia z siecią Wi-Fi wyświetli się okno menu głównego, a symbol sygnału Wi-Fi pojawi się na białym polu w lewym górnym narożniku.
- Sieć bezprzewodowa (WPS PBC)**
 - Wybierz opcję wyszukiwania połączenia Wi-Fi. Po wyborze opcji pozostaje 120 sekund na naciśnięcie przycisku WPS na modemie Wi-Fi. Spowoduje to połączenie sieci Wi-Fi z radiem bez ręcznego wprowadzania hasła.
- Konfiguracja ręczna**
 - Można ręcznie ustawić dane połączenia bezprzewodowego: DHCP, Enter SSID i zarządzanie.
- Sprawdzanie sieci po włączeniu**
 - Ustaw funkcję jako aktywną lub nieaktywną.

Data i godzina

- Ustaw datę i godzinę**
 - Konfiguracja ręczna lub Wykryj automatycznie**

Istnieje możliwość ręcznego ustawienia daty i godziny zamiast automatycznego wykrywania. Obróć **pokrętko wyboru** lub użyj przycisków numerycznych, aby wprowadzić żądaną cyfrę w danym miesiącu. Po ustawieniu prawidłowej cyfry naciśnij przycisk **prawo**, aby przejść do ustawienia dnia. Kontynuuj procedurę, aby ustawić rok, godzinę i minuty. Po zakończeniu konfiguracji ręcznej naciśnij przycisk **OK**, aby wprowadzić ustawienia. Aby anulować format daty i godziny, możesz zmienić ustawienia funkcji „Data i godzina”.
 - Ustaw format czasu:** Wybierz 12-godzinny lub 24-godzinny format czasu.
 - Ustaw format daty:** RRRR/MM/DD, DD/MM/RRRR, MM/DD/RRRR

Budzik

- Ustaw Budzik 1 / Budzik 2**
 - Aby ustawić budzik w odbiorniku radiowym, przejdź do „**Ustawień**” i prześwini dostępne opcje, aby wybrać „**Budzik**” lub po prostu naciśnij przycisk **ALARM** na pilocie.
 - Po wyświetleniu okna ustawień budzika wybierz „**Budzik 1 (wyłącz)**” lub „**Alarm 2 (wyłącz)**”. Następnie wybierz opcję „**Włącz**”, aby uaktywnić budzik.
 - Wybierz opcję „**Powtórź**”, aby ustawić regularność budzika naciskając przycisk **OK**. Możesz wybrać opcję codziennie lub raz, albo wybrać poszczególne dni, w które włączy się budzik. Po dokonaniu wyboru naciśnij przycisk **lewo**, aby powrócić do innych ustawień budzika.
 - Wybierz opcję „**Godzina**” i obróć **pokrętko wyboru**, aby zaznaczyć godzinę budzenia. Po ustawieniu żądanej godziny naciśnij przycisk **prawo**, aby ustawić minuty.
 - Po ustawieniu prawidłowej wartości w minut naciśnij przycisk **prawo**, aby ustawić opcję „**AM**” lub „**PM**”. Następnie naciśnij przycisk **OK**, aby zatwierdzić ustawienia i przejść do ustawień budzika.
 - Prześwini w dół i wybierz opcję „**Dźwięk**”, naciskając przycisk **OK**. Możesz wybrać między sygnałem dźwiękowym, melodią, radiem internetowym, FM lub DAB/DAB+.
 - Jeśli ustawisz dźwięk budzika jako radio internetowe, FM lub DAB/DAB+, przejdziesz do swoich zapamiętanych ulubionych stacji. Wybierz żądaną stację naciskając przycisk **OK**.

- Symbol budzika pojawi się w oknie głównym.
- **Sposób anulowania budzika**
 - Aby anulować budzik, wybierz opcję „**Budzik**” w menu „Ustawienia” lub za pomocą przycisku **ALARM**. Następnie wybierz budzik, który chcesz wyłączyć.
 - Wybór budzika udostępni opcję włączenia lub wyłączenia. Zaznacz opcję „**Wyłącz**” i naciśnij przycisk **OK**, aby zatwierdzić.

UWAGA: Aby zmienić poziom głośności budzika, przejdź do ustawienia „**Głośność budzika**” w oknie ustawień budzika.

- **Sposób wyłączenia dźwięku budzika**
Jeśli budzik włączy się, naciśnij przycisk **ALARM** lub **STANDBY** na pilocie, by wyłączyć budzik. Jeśli ustawiłeś codzienne włączenie budzika lub więcej niż 1 raz w tygodniu, ikona budzika pozostanie wyświetlona na ekranie.
- **Sposób ustawienia budzika w trybie DRZEMKI**
Jeśli włączy się budzik, naciśnij dowolny przycisk z wyjątkiem przycisków **STANDBY** i **ALARM**, aby wyłączyć dźwięk budzika i przełączyć go do trybu **DRZEMKA**. W trybie **DRZEMKI** odbiornik radiowy włączy się ponownie po 5 minutach.

UWAGA: Budzik w trybie **DRZEMKI** można wyłączyć naciskając przycisk **ALARM** lub **STANDBY**.

- **Czas drzemki**
 - Po wyborze opcji „**Budzik**” w menu „Ustawienia” lub przycisku **ALARM** na pilocie wybierz opcję „**Czas drzemki (wyłącz)**”.
 - Wybierz czas trwania drzemki w minutach z dostępnych opcji: wyłącz, 5 minut, 10 minut, 20 minut, 30 minut, 60 minut, 90 minut, 120 minut.
- **Głośność budzika**
 - Zmień poziom głośności budzika obracając **pokrętko regulacji głośności** lub naciskając przyciski **lewo/prawo**.
 - Po wyborze odpowiedniego poziomu głośności naciśnij przycisk **OK**, aby zatwierdzić.

Minutnik

- W menu „**Ustawienia**” wybierz opcję „**Minutnika**”, a na ekranie wyświetli się wskazanie 00:00.
- Aby zwiększyć wskazanie sekund, naciśnij przycisk **prawo**. Aby zmniejszyć wskazanie sekund, naciśnij przycisk **lewo**. Naciśnij i przytrzymaj przyciski **lewo/prawo**, aby szybko ustawić minutnik.
- Po ustawieniużądanego czasu zatwierdź ustawienie naciskając przycisk **OK**.

Język

Wybierz żądany język z listy.

Jasność ekranu

- Aby ustawić jasność ekranu odbiornika radiowego, przejdź do menu „**Ustawienia**” i wybierz opcję „**Jasność ekranu**”. Możesz wybrać opcję „**Tryb oszczędnościowy**” lub „**Wyłącz**”.
- Wybierz „**Tryb oszczędnościowy**”, aby zmienić aktualny poziom jasności na jeden z 20 dostępnych poziomów. Jeśli odbiornik radiowy będzie nieaktywny przez 15 sekund, zostanie ustawiony niski poziom jasności do momentu naciśnięcia przycisku i aktywacji ustawienia „**Włącz**”.
- Wybierz tryb „**Włącz**”, aby ustawić jasność, gdy odbiornik radiowy jest włączony i używany.
- Ewentualnie możesz zmienić ustawienia jasności naciskając przycisk **DIMMER** na pilocie lub bezpośrednio na przednim panelu.

Ekran

Wybierz opcję **Kolor** lub **Jednobarwny**.

Oszczędzanie energii

Wybierz to ustawienie, aby odbiornik radiowy był automatycznie przełączany do trybu czuwania po ustawionym czasie bezczynności lub w przypadku braku sygnału Wi-Fi. Możesz wybrać **5/15/30 minut** oczekiwania na przełączenie do trybu czuwania lub wybrać opcję „**Wyłącz**”, aby zignorować funkcję.

Auto wyłączanie

- Żeby ustawić Auto wyłączanie, przejdź do menu „**Ustawienia**” i wybierz opcję „**Auto wyłączanie**”. Możesz wybrać **wyłącz**, **15**, **30**, **60**, **90**, **120**, **150**, **180** minut.
- Ewentualnie kilkakrotnie naciskając przycisk **SLEEP** na pilocie możesz przełączać się między czasami wyłączenia wyświetlonymi w prawym górnym narożniku ekranu. Dostępne opcje to: **15**, **30**, **60**, **90**, **120**, **150**, **180** minut.
- Po wyborze opcji Auto wyłączanie pojawi się liczba minut i symbol automatycznego wyłączenia w prawym górnym narożniku ekranu.

Pamięć buforowa

Skonfiguruj czas buforowania odtwarzanej muzyki: **2/4/8 sekund**.

Pogoda

- **Ustawienie lokalizacji:** Wybierz i wprowadź swoją lokalizację.
- **Jednostka temperatury:** Wybierz preferowaną skalę temperatury – „Celsjusza” lub „Fahrenheita”.
- **Wyświetlanie w trybie czuwania:** Wybierz opcję „**Wyłącz**” lub „**Włącz**”, aby dezaktywować lub uaktywnić wyświetlanie prognozy pogody na ekranie w trybie czuwania. Po włączeniu wyświetlania prognozy pogody będzie ona wyświetlana co 10 sekund na ekranie w trybie czuwania.

Ustawienie FM

- **Tryb:** Możesz ustawić tryb „**Mono**” lub „**Stereo**”.
- **Próg:** Wybierz ustawienia progu (próg wyszukiwania/próg stereo).
- (Próg jest ustawiony na automatyczne przełączanie między trybami mono i stereo. W przypadku odbioru słabego sygnału system automatycznie przełączy się do trybu mono w celu zmniejszenia szumów tła stacji, aby poprawić słyszalność.)

Ustawienie radia lokalnego

Ustaw ręcznie swoją lokalizację dla stacji lokalnej zamiast zezwolić odbiornikowi radiowemu na automatyczne wykrywanie.

Ustawienia odtwarzania

Wybierz tryb odtwarzania w menu Centrum medialne: wyl., powtórz wszystkie, powtórz jedną, losowe.

Urządzenie

Nazwa domyślna dla DLAN to „AirMusic”. Możesz zmienić nazwę urządzenia do skonfigurowania DLAN.

Przycisk

W interfejsie ustawień możesz wybrać opcję „**Budzik**”, „**Jasność ekranu**”, „**Equalizer**”, „**Stacja lokalna**”, „**Tryb**”, „**Ulubione stacje**”, „**Auto wyłączanie**” i „**Minutnik**”, aby **zatwierdzić** funkcję przycisku **MODE** na przednim panelu i pilocie.

Equalizer

Domyślne ustawienie EQ to Normalny. Możesz zmienić na Flat, Jazz, Rock, Muzyka filmowa, Muzyka klasyczna, Pop, Wiadomości lub My EQ.

Wznów po włączeniu

Włącz funkcję wznowienia po włączeniu odbiornika radiowego. Na ekranie będzie wyświetlane menu główne.

Aktualizacja oprogramowania

Wyświetla się informacja, czy dostępne są aktualizacje oprogramowania do odbiornika radiowego. Jeśli jest dostępna, wybierz aktualizację, by rozpocząć.

Przywrócenie ustawień fabrycznych

Wybierz opcję, aby zresetować odbiornik radiowy i przywrócić wszystkie ustawienia fabryczne. Potwierdź, że chcesz zresetować urządzenie i jego ustawienia wybierając „**TAK**”.

Rozwiązywanie problemów

Niniejszy produkt nie posiada żadnych części, które może naprawiać użytkownik. W przypadku wystąpienia usterki skontaktuj się z producentem lub autoryzowanym serwisem. Odsłanianie wewnętrznych części urządzenia może stanowić zagrożenie dla życia. Gwarancja nie obejmuje usterek wywołanych naprawami wykonanymi przez nieupoważnione strony trzecie.

Brak dźwięku

Przyczyna

- Dźwięk nie jest włączony.

Rozwiązanie

- Ustawić w odpowiedniej pozycji pokrętko dźwięku.

Brak dźwięku z urządzenia podłączonego poprzez

Bluetooth

Rozwiązanie

- Sprawdź, czy urządzenie zewnętrzne nie wymaga wprowadzenia hasła „0000” do uruchomienia.

Brak połączenia Wi-Fi

Rozwiązanie

- Upewnij się, że w ustawieniach został wybrany tryb Wi-Fi i wprowadzone prawidłowe hasło dla modemu Wi-Fi.

Szum

Przyczyna

- Słaby odbiór sygnału.

Rozwiązanie

- Wyregulować antenę lub przenieść urządzenie w miejsce, w którym odbiór sygnału jest lepszy.

Dźwięk jest zniekształcony.

Przyczyna

- Zbyt wysoki poziom głośności.

Rozwiązanie

- Zmniejszyć głośność.

Nie odnaleziono żądanej stacji.

Przyczyna

- Słaby sygnał

Rozwiązanie

- Użyć funkcji ręcznego dostrajania.

Nie działa DAB

Przyczyna

- Brak obsługi DAB na danym terenie.
- Słaby sygnał

Rozwiązanie

- Wyregulować ustawienie anteny.

Brak danych na wyświetlaczu.

Przyczyna

- Sytuacja ta może wystąpić, kiedy nadawca zmieni oznaczenie usługi lub usunie oznaczenie w trakcie dostrajania.

Rozwiązanie

- Odbiornik będzie próbował się dostroić.
- Przeprowadzić skanowanie stacji.

Brak zasilania

Przyczyna

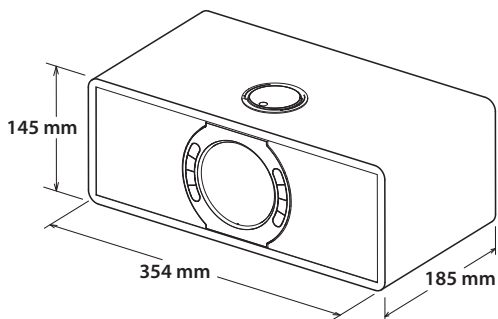
- Zasilacz nie jest podłączony do gniazda w ścianie.

Rozwiązanie

- Sprawdzić, czy zasilacz jest podłączony do gniazda.

Dane techniczne

Model	DR-I470
Moc wyjściowa	2x7W (RMS)
Pobór energii (maks.)	28W
Pobór energii (standard)	8W
Pobór energii w trybie czuwania	<1W
Częstotliwość FM	87.5-108MHz
DAB+ Częstotliwość	174.928-239.200MHz
Bluetooth	
Wersja	V2.1+ EDR
Pasma częstotliwości	2402 MHz ~ 2480 MHz
Maksymalny poziom przekazywanej mocy	4dBm
Power Adapter	
Nazwa modelu:	FJ-SW1202000N
Wejście:	AC 100-240V ~ 50/60Hz, 0.6A Max
Wyjście:	DC 12V =2000mA
Producent:	SHENZHEN FU JIA APPLIANCE CO., LTD B1,Xujing chang Industrial Park, Haoye Road, Fuyong 518103 Shenzhen, China
WIFI	
Połączenie Wi-Fi	802.11 b/g/n; STA/AP/AP Client



KG 3,16kg

Důležité bezpečnostní pokyny

Přečtěte si prosím tyto instrukce. Před použitím zařízení si přečtěte všechny bezpečnostní a provozní pokyny.



Vykičňik v rovnoramenném trojúhelníku je určen k upozornění uživatele na přítomnost důležitých provozních pokynů a pokynů k údržbě (servisu) v literatuře doprovázející spotřebič.



Použijte pouze napájení uvedené v návodu k použití.



Tento symbol znamená, že produkt musí být zlikvidován ekologicky šetrným způsobem a ne s běžným domácím odpadem.



AC Střídavé napětí



DC Stejnoseměrné napětí



Zařízení Třídy II



Pouze pro vnitřní použití



Označení energetické účinnosti – stupeň VI



Polarita konektoru stejnosměrného proudu

Abyste zabránili šíření požáru, nikdy se k tomuto výrobku nepřibližujte se svíčkou nebo jiným otevřeným ohněm.



- Produkt umístěte na rovný, stabilní povrch, který není vystaven vibracím.
- Ujistěte se, že produkt a jeho části nepřechnávají přes okraj nábytku, na kterém jsou umístěny.
- Abyste snížili nebezpečí vzniku požáru, úrazu elektrickým proudem nebo poškození tohoto produktu, nevystavujte ho přímému slunečnímu světlu, dešti a vlhkosti. Nikdy ho nevystavujte kapání nebo stříkání a na produkt nebo do jeho blízkosti nedávejte předměty naplněné kapalinami.
- Na zařízení nedávejte předměty naplněné kapalinami, např. vazy.
- Neinstalujte do blízkosti zdrojů tepla, např. radiátorů, registrátorů teploty, trub nebo jiných spotřebičů (včetně zesilovačů), které vytváří teplo.
- Produkt nedávejte na místa s vysokou vlhkostí a špatným větráním.
- V okolí zařízení vždy zajistěte minimální vzdálenost 5 cm, aby se zajistilo správné větrání. Neblokuje větrací průduchy tohoto zařízení. Vždy se ujistěte, že větrací průduchy nejsou zakryty předměty jako novinami, ubrusy, závěsy, atd.
- NIKDY nedovolte nikomu, zejména dětem, do otvorů, slotů strkat cizí předměty, neboť to by mohlo mít za následek smrtelný úraz elektrickým proudem.
- Bouřky jsou nebezpečné pro všechny elektrické spotřebiče. Pokud do napájení nebo antény udeří blesk, spotřebič se může poškodit, a to i v případě, že je vypnutý. Před bouřkou musíte odpojit všechny kabely a konektory.

Údržba

- Před čištěním spotřebiče odpojte napájecí kabel od zdroje napájení.
- K vyčištění vnější části spotřebiče použijte měkký a čistý hadřík. Nikdy ho nečistěte chemickými látkami nebo čistícími přípravky.

Napájecí adaptér

- Chcete-li odpojit zařízení od napájení, odpojte konektor od napájecí zástrčky.
- Použijte pouze dodaný napájecí adaptér, v opačném případě může dojít k ohrožení bezpečnosti a/nebo poškození zařízení.

Baterie

Varování:

- Při použití tohoto spotřebiče vždy dodržujte základní bezpečnostní opatření, zejména v přítomnosti dětí.
- Na děti je potřeba dohlížet, aby se zaručilo, že si s spotřebičem nebudou hrát.
- Nepokládejte napájecí kabel, ani na něj nepokládejte těžké předměty, ani ho nenatahujte ani neohýbejte. Rovněž nezapojujte prodlužovací kabely. Poškození kabelu může mít za následek vznik požáru nebo úraz elektrickým proudem.
- Je-li napájecí kabel poškozený, musí být vyměněn výrobcem, jeho servisním zástupcem nebo podobně kvalifikovanou osobou, aby se tak předešlo nebezpečí.
- Ujistěte se, že je zařízení zapojeno do zásuvky AC 100-240V 50/60Hz. Použití vyššího napětí může způsobit selhání zařízení nebo dokonce vznik požáru.
- Pokud zástrčka neodpovídá vaší zásuvce, nezapojujte ji silou.
- Zařízení před odpojením ze sítě vypněte.
- Napájecí kabel neodpojujte ani nezapojujte máte-li mokré ruce. Může to způsobit úraz elektrickým proudem.
- Pokud spotřebič nebudete používat delší dobu, napájecí kabel odpojte.
- Ujistěte se, že zásuvka napájení je vždy snadno přístupná.
- Tento produkt neobsahuje žádné části, jejichž servis by mohl provést uživatel. V případě závady kontaktujte výrobce nebo autorizovaný servis. Otevření vnitřních částí v zařízení může ohrozit váš život. Záruka výrobce se nevztahuje na závady způsobené opravami provedenými neautorizovanými třetími stranami.
- Tento produkt nepoužívejte bezprostředně po rozbalení. Než ho použijete, počkejte, než se zahřeje na pokojovou teplotu.
- Ujistěte se, že je tento produkt používán pouze v prostředí s mírným klimatem (ne v tropickém/subtropickém).

- Při vkládání baterií dodržujte správnou polaritu.
- Nevystavujte baterie vysokým teplotám a nepokládejte je na místech, kde teplota se může rychle zvýšit, např. v blízkosti ohně nebo na přímém slunci.
- Nevystavujte baterie nadměrnému sálovému teplu, neházejte je do ohně, nerozebírejte je, a nesnažte se dobitel nedobíjatelné. Mohly by vytécet nebo explodovat.
- Nikdy nepoužívejte různé typy baterií a nemíchejte nové a staré.
- Když není dálkové ovládání dlouho používáno (déle než měsíc), baterie z dálkového ovládání vyjměte a zabraňte tak jejich unikání.
- Pokud baterie unikají, oťete unik uvnitř prostoru na baterie a baterie vyměňte za nové.
- Nepoužívejte žádné baterie jiné než dodané.



Nejezte baterii, hrozí nebezpečí popálení chemickou látkou.

- Pokud dojde ke spojení baterie, může do pouhých 2 hodin způsobit těžké vnitřní poleptání se smrtelnými následky. Nové a použité baterie uchovávejte mimo dosah dětí. Pokud se kryt prostoru pro baterii pevně nedovírá, přestaňte výrobek používat a udržujte jej mimo dosah dětí. Pokud se domníváte, že osoba mohla baterii spolknout nebo si ji vpravil do kterékoliv části těla, vyhledejte neprodleně lékařskou pomoc.

Likvidace tohoto zařízení a baterií

- Tento produkt ani jeho baterie nevyhazujte do netříděného komunálního odpadu. Vratte je na určené sběrné místo k recyklaci WEEE v souladu s místními zákony. Tak pomůžete chránit zdroje a životní prostředí.
- Většina zemí EU upravuje likvidaci baterií zákonem. O více informacích požádejte svého prodejce nebo místní úřady.





- Výše uvedený symbol je uvedený na elektrických a elektronických zařízeních (nebo na obalu) jako připomínka.
- Uživatelé jsou povinni použít stávající sběrná místa pro použitá zařízení a baterie.

Prohlášení CE:

- Společnost UMC Poland sp. z o.o. tímto prohlašuje, že toto audio zařízení odpovídá základním požadavkům a ostatním relevantním ustanovením směrnice RED 2014/53/EU. Plné znění prohlášení o souladu je k dispozici na následujícím odkazu <http://www.sharpconsumer.eu/documents-of-confirmity>

Trademarks:



Značka *Bluetooth*[®] a loga jsou registrovanými ochrannými známkami vlastněnými společností Bluetooth SIG, Inc.



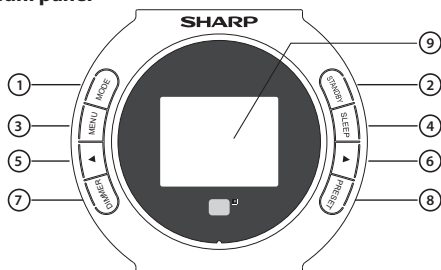
Logo Wi-Fi CERTIFIED je certifikační známka Wi-Fi Alliance.

Co obsahuje balení:

- 1x hlavní jednotka
- 1x Dálkové ovládání
- 1x síťový adaptér
- 1x Návod k použití
- 1x UK AC konektor pro napájecí adaptér
- 1x EU AC konektor pro napájecí adaptér

Panely a ovládací prvky

Přední panel



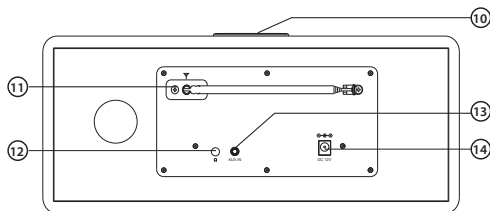
- 1. REŽIM** – stisknutím můžete změnit režim: DAB/DAB+, FM, internetové rádio, Bluetooth, AUX IN.

Lze nastavit na jinou funkci v nabídce <Tlačítko> v **NASTAVENÍ**: Budík, ztlumení osvětlení, ekvalizér, místní stanice, režim, přednastavení, časovač vypnutí, časovač.

POZNÁMKY: Výchozí funkcí tohoto tlačítka je změna režimu.

- 2. POHOTOVOSTNÍ REŽIM** – Stisknutím jednotku zapnete nebo uvedete do pohotovostního režimu.
- 3. MENU** – Stisknutím tohoto tlačítka vstoupíte do rozhraní nastavení MENU.
- 4. SPÁNEK** – Opakovaným stisknutím nastavte požadovanou dobu, za kterou se jednotka vypne.
- 5. ◀** – Když jste v nabídce pro nastavení, stisknutím tlačítka se přesunete k předchozí možnosti. Krátkým stisknutím během poslechu rádia snížíte frekvenci o 0,05 MHz.
- 6. ◀** – když jste v nabídce pro nastavení, stisknutím tlačítka se přesunete k následující možnosti. Krátkým stisknutím během poslechu rádia zvýšíte frekvenci o 0,05 MHz.
- 7. ZTLUMENÍ OSVĚTLENÍ** – stisknutím nastavte stupeň podsvětlení.
- 8. PŘEDNASTAVENÍ** – pokud přehráváte internetové rádio, stisknutím tohoto tlačítka přepnete na prohlédávání rozhlasových stanic/hudby.
- 9. DISP/LEJ** – zobrazuje informace.

Zadní panel

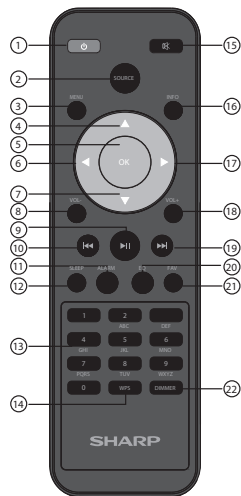


- 10. Knoflík pro ovládání hlasitosti / procházení možností / OK** –

otáčením knoflíku při přehrávání nastavte hlasitost. Pokud jste v nabídce nastavení, otáčením knoflíku můžete procházet možnosti a jeho stisknutím potvrdit volbu.

- 11. FM anténa** – příjem signálu FM.
- 12. Zdířka na sluchátka** – 3,5 mm zdířka na sluchátka.
- 13. Jack AUX IN** – pomocí 3,5 mm audio kabelu můžete přehrávat hudbu z externího zdroje.
- 14. Vstup pro stejnosměrný zdroj napětí** – 12 V

Dálkové ovládání



- 1. POHOTOVOSTNÍ REŽIM** – stisknutím tlačítka **POHOTOVOSTNÍ REŽIM** na dálkovém ovládací jednotku vzbudíte nebo přepnete do pohotovostního režimu.
- 2. SOURCE** – Stisknutím tlačítka **SOURCE** změníte režimy přehrávání: DAB / DAB +, FM, AUX IN, Bluetooth, Internetové rádio.
Poznámka: Toto tlačítko lze použít jako další funkci nastavením z položky <Tlačítko> v nabídce **NASTAVENÍ**: Budík, Ztlumení osvětlení, Ekvalizér, Místní stanice, Režim, Přednastavení, Časovač vypnutí, Časovač
- 3. MENU** – stisknutím tlačítka **MENU** na dálkovém ovládací nebo na předním panelu vstoupíte do menu přehrávání, stisknutím **SMĚROVÝCH** tlačítek nebo otáčením knoflíku pro potvrzení výběru můžete procházet menu: Internetové rádio, Media Center, FM, DAB/DAB+, Informační centrum, AUX, Bluetooth, Nastavení, Místní stanice
- 4. NAHORU / 5. OK / 6. DOLEVA / 7. DOLŮ / 17. DOPRAVA** – pomocí tlačítek **NAHORU** a **DOLŮ** nebo otáčením knoflíku pro potvrzení volby můžete procházet možnosti. Stisknutím knoflíku potvrďte svou volbu.
- 8. VOL- / 18. VOL+** – hlasitost můžete uzpůsobit stisknutím tlačítka **VOL+** a **VOL-** nebo přímo otáčením kolečka pro ovládání hlasitosti.
- 10. PŘEDCHOZÍ / 19. NÁSLEDUJÍCÍ** – při přehrávání hudby můžete pomocí tlačítka **PŘEDCHOZÍ** nebo **NÁSLEDUJÍCÍ** přeskočit na předchozí či následující stopu. Při přehrávání rádia můžete pomocí tlačítka **PŘEDCHOZÍ** nebo **NÁSLEDUJÍCÍ** přeskočit na předchozí či následující oblíbenou stanicí.
- 9. PŘEHRAVAT/POZASTAVIT** – stisknutím tlačítka **PŘEHRAVAT/POZASTAVIT** můžete pozastavit přehrávání, opětovným stisknutím ho zase spustit.
- 11. BUDÍK** – stisknutím tlačítka **BUDÍK** můžete zobrazit a vytvářet možnosti budíku.
- 12. SPÁNEK** – opakovaným stisknutím tlačítka **SPÁNEK** můžete nastavit požadovaný čas vypnutí rádia.
- 13. ČÍSLA/PÍSMENA** – při nastavování nabídky můžete psát čísla nebo

písmena.

14. WPS – WPS Nastavení

15. ZTLUMIT – stisknutím tlačítka **ZTLUMIT** zcela ztlumíte zvuk, jeho opětovným stisknutím nebo pomocí tlačítek **VOL+/-** na dálkovém ovládacím nebo otáčením tlačítka na ovládání zvuku ho znovu nastavíte.

16. INFO – stisknutím tlačítka **INFO** můžete zobrazit informace o stanici.

20. EQ – opakovaným stisknutím tlačítka **EQ** si můžete zvolit různé zvukové efekty: Normální, plochý, Jazz, Rock, Soundtracks, vážná hudba, Pop, zprávy, My EQ.

21. FAV – dlouhým stisknutím tlačítka **FAV** uložíte stanici. Krátkým stisknutím tlačítka **FAV** si můžete zobrazit své oblíbené stanice, které jste si uložili.

22. ZTLUMENÍ OSVĚTLENÍ – stisknutím tlačítka **ZTLUMENÍ OSVĚTLENÍ** si můžete nastavit úroveň podsvětlení

VLOŽENÍ NEBO VÝMĚNA BATERIÍ V DÁLKOVÉM OVLÁDÁNÍ

1. Stlačte víčko krytu prostoru na baterie ve směru šipky v zadní části dálkového ovládacího.
2. Zatlačte na západku a otevřete kryt prostoru na baterie.
3. Vložte dvě baterie, dodržte polaritu +, -, jak je zobrazeno. Při výměně baterií používejte pouze stejný typ baterií.
4. Kryt znovu nasadte a zacvakněte ho na místo.

Spuštění internetového rádia

Zapojte napájecí adaptér do zdířky DC IN. Na displeji se zobrazí „**Vítejte!**“. Přesvědčte se, že anténa je co nejvíce vytažená. Jen tak budete moci přijímat co nejlepší signál.

Pokud rádio používáte poprvé, budete si moci otáčením **knoflíku pro procházení možností** zvolit jazyk. Svou volbu pak potvrdíte stisknutím tlačítka **OK**.

Po zvolení jazyka se na displeji zobrazí dotaz, „**Povolit po zapnutí kontrolu sítě?**“. Výběrem „**ANO**“ nebo „**NE**“ určíte, zda má jednotka při zapnutí zkontrolovat síť.

Manuální nastavení Wi-Fi

Po nastavení výše uvedeného se na displeji zobrazí „**Chcete nyní nastavit síť?**“.

- Pokud zvolíte „**ANO**“, začne rádio procházet dostupné sítě. Po prohledání dostupných sítí si zvolíte tu, na kterou se chcete připojit. Poté otáčejte **knoflík pro výběr možnosti** nebo mačkejte **tlačítka ČÍSLA/PÍSMENA** tak dlouho, dokud se nezobrazí správná číselná. Stisknutím tlačítka **DOPRAVA** můžete přejít na další číselník. Po dokončení stisknutím tlačítka **OK** provedete potvrzení.
- Pokud zvolíte „**NE**“, můžete nastavení provést později v nabídce nastavení.

Bezdrátová síť (WPS PBC)

Pokud při dotazu „**Chcete nyní nastavit síť?**“ zvolíte „**ANO(WPS)**“, začne rádio prohledávat možnosti připojení na Wi-Fi.

Po zvolení této možnosti budete mít 120 vteřin na stisknutí tlačítka **WPS** na vašem Wi-Fi modemu. Tím rádio připojí k Wi-Fi, aniž byste museli manuálně zadávat heslo.

WIFI připojení dokončeno!

Poté, co se připojíte na Wi-Fi manuálním zadáním hesla pomocí **WPS**, zobrazí se nabídka hlavního menu a vlevo nahoře se zobrazí Wi-Fi signál. Vaše internetové rádio je nyní nastaveno!

Internetové rádio

Pomocí tlačítek **DOLEVA/DOPRAVA** nebo otáčením **knoflíku pro procházení možností** si v Menu zvolte <**Internetové rádio**> a stisknutím knoflíku **OK** vstupte do této položky menu. Zobrazí se vám několik možností:

Mé oblíbené Zde se pro snadný poslech ukládají vaše oblíbené stanice.

Seznam svých oblíbených stanic si můžete zobrazit přímo stisknutím tlačítka **FAV**.

Rozhlasové stanice/hudba: Při zvolení této možnosti budete moci procházet stanice internetového rádia v kategoriích: Globálních Top 20, Žánr, Země/region, Doporučené V relevantní kategorii vyhledejte příslušnou stanici

a stisknutím tlačítka **OK** tuto internetovou stanici zvolte.

Místní stanice: Rádio je automaticky nastaveno tak, aby vyhledalo Top 10 stanic ve vaší zemi, všechny stanice a širokou škálu žánrů rozdělených do kategorií v abecedním pořadí. Pomocí tlačítka **OK** si zvolte kategorii, kterou chcete poslouchat, a pokračujte v procházení stanic, dokud si nevyberete tu, kterou hledáte.

Rádio na spaní: Zvolte si z různých relaxačních zvuků.

Historie: Procházení nedávno poslouchaných stanic.

Servis: Procházení rozhlasových stanic a přidání nové rozhlasové stanice.

- Pomocí tlačítek **ČÍSLA/PÍSMENA** můžete procházet rádiové stanice.
- Pokud chcete přidat novou rozhlasovou stanici, zvýrazněte pomocí tlačítek **ČÍSLA/PÍSMENA** zvolené znaky a kliknutím na tlačítko **DOPRAVA** se posuňte na následující znak. K předchozímu znaku se můžete vrátit stisknutím tlačítka **DOLEVA**, kterým znak zvýrazníte. Stisknutím tlačítka **OK** můžete prohledávat internetové stanice.

Uložte si oblíbené internetové rádiové stanice

Když najdete požadovanou stanici, stiskněte a podržte tlačítko **FAVOR**.

Vstoupíte tím do nabídky

„**Přidat do svých oblíbených?**“. Otáčejte **knoflíkem pro procházení možností** nebo stiskněte tlačítko **NAHORU/DOLŮ** a zvolte si přednastavené číslo. Stisknutím tlačítka **OK** potvrdíte svůj výběr.

FM rádio

Rozsah frekvence FM je 87,5MHz až 108,00MHz. Abyste měli pro každou stanici co nejsilnější signál, vytáhněte anténu.

Pomocí tlačítek **DOLEVA/DOPRAVA** nebo otáčením **knoflíku pro výběr možností** si na obrazovce Menu zvolte <**FM**> a stisknutím knoflíku **OK** vstupte do nabídky FM.

Ladění stanice

Stisknutím tlačítek **NAHORU/DOLŮ** na dálkovém ovládacím nebo na předním panelu můžete měnit frekvenci nahoru či dolů vždy o **0,05 MHz**. Stisknutím tlačítek **DOLEVA/DOPRAVA** na dálkovém ovládacím můžete přeskočit na předchozí nebo následující stanici s nejsilnějším signálem. Poté, co zařízení vyhledá nějakou stanici, ukončí automaticky vyhledávání.

Pokud stisknete tlačítko **OK**, objeví se na displeji „**Automatické vyhledávání!**“. Pokud zvolíte možnost „**ANO**“, rádio začne vyhledávat stanice od nejnižší po nejvyšší frekvenci. Automaticky pak uloží nalezené stanice.

Uložení stanice

Pokud chcete uložit svou oblíbenou stanici, stiskněte a podržte během jejího poslechu tlačítko **FAV** na dálkovém ovládacím. Poté použijte tlačítka **NAHORU/DOLŮ** nebo otáčejte **knoflíkem pro výběr možností** a zvolte si číslo, pod kterým chcete stanici uložit. Poté stisknutím tlačítka **OK** potvrdíte nastavení.

Vyvolání přednastavené stanice

1. Stisknutím tlačítek **PŘEDCHOZÍ/NÁSLEDUJÍCÍ** na dálkovém ovládacím můžete přeskočit na předchozí nebo následující předvolenou stanici.
2. Můžete také stisknout tlačítko **FAV** a vybrat uloženou stanici, a poté stisknutím tlačítka **OK** tuto stanici spustit.

DAB/DAB+

Pomocí tlačítek **DOLEVA/DOPRAVA** nebo otáčením **knoflíku pro výběr možnost** si na obrazovce Menu zvolte **<DAB/DAB+>** a stisknutím knoflíku **OK** vstupte do režimu DAB/DAB+.

Při prvním použití DAB začne rádio vyhledávat DAB stanice a na displeji se zobrazí „**Vyhledávání**“. Displej bude v průběhu vyhledávání ukazovat, kolik stanic bylo nalezeno.

Po vyhledání všech dostupných stanic se na displeji rádia zobrazí jejich seznam. Pomocí **knoflíku pro výběr možnosti** můžete procházet a zvýrazňovat vybrané stanice. Požadovanou stanici zvolte stisknutím tlačítka **OK**.

Poté, co provedete výběr stanice, se tato stanice zobrazí na displeji a začne její přehrávání.

Pokud chcete vybrat předchozí nebo následující stanici, stiskněte tlačítko **PŘEDCHOZÍ** nebo **NÁSLEDUJÍCÍ** a můžete procházet stanice.

Po zvolení stanice můžete stisknutím tlačítka **INFO** zobrazit informace o stanici. Stanice začne automaticky procházet informace a zobrazí žánr, MHz, vysílanou píseň, KHz a Kbps.

Pokud se chcete vrátit na seznam a procházet ho ručně, stiskněte tlačítko **DOLEVA**.

Přednastavení oblíbené stanice DAB/DAB+

Pokud jste našli požadovanou stanici, podržte po dobu několika vteřin tlačítko **FAV** a přejděte do obrazovky „**Přidat do oblíbených**“. Otáčením **knoflíku pro výběr možnosti** si vyberte číslo pro přednastavenou stanici a stisknutím tlačítka **OK** volbu potvrďte.

Můžete to také udělat tak, že na obrazovce se seznamem DAB stanic zvýrazníte oblíbenou stanici a po stisknutí a podržení tlačítka **FAV** budete postupovat podle výše zmíněného návodu.

Přednastavené oblíbené stanice si můžete zobrazit tak, že stisknete tlačítko **FAV**. Pomocí tlačítek **NAHORU** nebo **DOLŮ** pak budete moci procházet aktuální seznam.

Informační centrum

Pomocí tlačítek **DOLEVA/DOPRAVA** nebo otáčením **knoflíku pro procházení možnosti** si na obrazovce Menu zvolte **Informační centrum** a stisknutím knoflíku **OK** vstupte do nabídky Informační centrum.

Informace o počasí: Pokud chcete zobrazit informace o počasí na vybraném místě, zvolte nejprve otáčením **knoflíku pro výběr možnosti** kontinent a poté ho pomocí tlačítka **OK** potvrďte. Poté vyberte zemi a následně město/obec.

Po zvolení města/obce se zobrazí následující informace: aktuální teplota, symbol aktuálního počasí, přibližný rozsah teplot pro následujících 5 dní.

Finanční informace: Vyberte si z různých akciových indexů z celého světa. Pomocí

knoflíku pro výběr možnosti je můžete procházet a tlačítkem **OK** potvrdit volbu.

Systémové informace: Zde si můžete zobrazit verzi systému a informace o připojení na Wi-Fi. Pokud si zvolíte informace o bezdrátovém připojení, zobrazí se informace například o síle signálu Wi-Fi.

Ovládání AUX

AUX VSTUP

Pomocí tlačítek **DOLEVA/DOPRAVA** nebo otáčením **knoflíku pro výběr možnost** si na obrazovce Menu zvolte **<AUX>** a stisknutím knoflíku **OK** vstupte do režimu AUX.

Zapojte AUX kabel do svého rádia a zapojte kabel přes port AUX-IN na zadní straně rádia. Pokud jste v režimu AUX a spustíte na vašem zařízení audio přehrávání, začne jeho přehrávání na rádiu.

Výstup (sluchátka)

Na zadním panelu rádia můžete do **zdiřky na sluchátka** zapojit sluchátka po poslech rádia. Spusťte přehrávání internetového rádia, Media Center, AUX nebo Bluetooth.

Bluetooth

Pomocí tlačítek **DOLEVA/DOPRAVA** nebo otáčením **knoflíku pro výběr možnost** si na obrazovce Menu zvolte **<Bluetooth>** a stisknutím knoflíku **OK** vstupte do režimu Bluetooth.

1. Na svém zařízení vstupte do nastavení a napojte ho prostřednictvím Bluetooth na rádio.
2. Ze seznamu zobrazených zařízení vyberte „**SHARP DR-I470**“. Po úspěšném napojení rádio ohláš „**Připojeno**“ a na displeji se zobrazí nápis „**Bluetooth připojeno**“.
3. Zvolte si na vašem zařízení typ audia a začněte s přehráváním.
4. Nyní můžete poslouchat hudbu ze svého zařízení.
5. Pokud chcete Bluetooth odpojit, přepněte do jiného režimu přehrávání nebo vypněte na svém zařízení funkci Bluetooth.

Nastavení

Pomocí tlačítek **DOLEVA/DOPRAVA** nebo otáčením **knoflíku pro výběr možnosti** si v hlavní nabídce Menu zvolte **<Nastavení>** a stisknutím knoflíku **OK** vstupte do režimu nastavení.

Zobrazení času

Nastavte typ zobrazení času: Analogový nebo digitální.

Správa My media U

Zvolte funkci povolit nebo zakázat.

Sít

- **Nastavení sítě Wi-Fi**
 - Po zvolení Nastavení sítě Wi-Fi si můžete nastavit připojení k Wi-Fi. Rádio poté začne vyhledávat dostupné Wi-Fi připojení.
 - Vyberte Wi-Fi síť a zvolte ji stisknutím tlačítka **OK**. Pokud chcete psát písmena/čísla, použijte **knoflík pro výběr možnosti** nebo mačkejte tlačítka **ČÍSLA/PÍSMENA** dokud se nezobrazí požadované znaky. Poté můžete stisknutím tlačítka **DOPRAVA** přejít na další znak. Stisknutím tlačítka **DOLEVA** můžete jít zpět na předchozí znak. Po dokončení proveďte stisknutím tlačítka **OK** potvrzení.
 - Po napojení na Wi-Fi se zobrazí hlavní nabídka a v levém horním rohu se objeví signál Wi-Fi.
- **Bezdrátová síť (WPS PBC)**
 - Tuto možnost vyberte, pokud chcete vyhledat Wi-Fi připojení. Po zvolení této možnosti budete mít 120 vteřin na stisknutí tlačítka WPS na vašem Wi-Fi modemu. Tím rádio připojí k Wi-Fi, aniž byste museli manuálně zadávat heslo.
- **Manuální nastavení**
 - Bezdrátová data lze nastavit manuálně: DHCP, zadat SSID a Správa.
- **Kontrola sítě při zapnutí**
 - Nastavte Povolit nebo Deaktivovat.

Datum a čas

- **Nastavení data a času**
 - **Manuální nastavení nebo automatická detekce**
Namísto automatické detekce data a času je můžete nastavit i manuálně. Otáčejte **knoflíkem pro výběr možnosti** nebo mačkejte na tlačítka s čísly a zadejte číslo požadovaného měsíce. Po zadání správného čísla stiskněte tlačítko **DOPRAVA** a přejděte na nastavení dne. Pokračujte zadáním roku, hodin a minut. Po ukončení manuálního nastavení stisknutím tlačítka **OK** potvrďte nastavení. Pokud chcete zrušit formát data a času, jděte do funkce „Datum a čas“.
 - **Nastavení formátu času:** Nastavit lze 12 hodinový nebo 24 hodinový formát.
 - **Nastavení formátu data:** RRRR/MM/DD, DD/MM/RRRR, MM/DD/RRRR

Budík

• Nastavení Budíku 1/Budíku 2

- Pokud chcete nastavit na rádiu budík, jděte do nabídky „Nastavení“ a vyberte položku „Budík“ nebo přímo klikněte na tlačítko **BUDÍK** na dálkovém ovladači.
- Na obrazovce pro nastavení budíku zvolte „Čas buzení1 (Vyp)“ nebo „Čas buzení 2 (Vyp)“ a vyberte „Zapnout“, čímž aktivujete budík.
- Pokud chcete, aby budík zvonil pravidelně, vyberte „Opakovat“ a stiskněte tlačítko **OK**. Můžete si zvolit z možností Každý den, Jednou nebo zvolit jednotlivé dny, ve které bude budík zvonit. Po dokončení výběru stiskněte tlačítko **DOLEVA** a vraťte se zpět do nastavení budíku.
- Vyberte položku „Čas“ a otáčením **knoflíku pro výběr možnosti** zvýrazněte hodinu buzení. Až vyberete požadovanou hodinu, stiskněte tlačítko **DOPRAVA** a přejděte na nastavení minut.
- Po nastavení minut stiskněte tlačítko **DOPRAVA**, vyberte „Ráno“ nebo „Odpoledne“ a poté stiskněte tlačítko **OK**. Tím potvrdíte volbu a vrátíte se zpět do nastavení budíku.
- Nyní se posouvejte směrem dolů a zvolte „Zvuk“. Výběr potvrdíte stisknutím tlačítka **OK**. Můžete si vybrat z pípní, melodie, internetového rádia, FM nebo DAB/DAB+.
- Pokud jako zvuk budíku vyberete Internetové rádio, FM nebo DAB/DAB+, zobrazí se výběr přednastavených oblíbených stanic. Požadovanou stanicí pro zvuk budíku zvolte stisknutím tlačítka **OK**.
- Na hlavní obrazovce displeje se objeví symbol budíku.

• Jak zrušit budík

- Pokud chcete zrušit budík, zvolte v Nastavení položku „Budík“ nebo stiskněte tlačítko **BUDÍK** a vyberte funkci, které chcete zrušit.
- Poté, co buzení vyberete, budete ho moci vypnout. Zvýrazněte možnost „Vypnout“ a stisknutím tlačítka **OK** potvrdíte vypnutí.

POZNÁMKA: Hlasitost budíku můžete nastavit v nabídce

„Hlasitost budíku“ na obrazovce pro nastavení budíku.

• Jak vypnout spuštěný budík

Pokud chcete vypnout zvonící budík, stiskněte tlačítko **BUDÍK** nebo **POHOTOVOSTNÍ REŽIM** na dálkovém ovládacím. Pokud jste budík nastavili tak, aby budil každý den nebo více než jednou, zůstanete na displeji ikonka budíku.

• Jak aktivovat funkci DŘÍMÁNÍ

Pokud začne zvonit budík, stiskněte jakékoli tlačítko kromě **POHOTOVOSTNÍ REŽIM** a **BUDÍK**. Zvonení se tím vypne a aktivuje se režim **DŘÍMÁNÍ**. Po aktivaci funkce **DŘÍMÁNÍ** se zvuk rádia znovu spustí za 5 minut.

POZNÁMKA: Funkci **DŘÍMÁNÍ** lze zrušit stisknutím

tlačítka **BUDÍK** nebo **POHOTOVOSTNÍ REŽIM**.

• Budík pro „Zdřímnutí“

- Poté, co jste vybrali v Nastavení možnost „Budík“ nebo jste stiskli tlačítko **BUDÍK** na dálkovém ovládacím, zvolte „Budík pro ZDŘÍMNUTÍ (Vyp)“.
- Nastavte, na kolik minut si chcete zdřímnout. Vybrat si můžete z následujících možností: Vypnout, 5 minut, 10 minut, 20 minut, 30 minut, 60 minut, 90 minut, 120 minut.

• Hlasitost budíku

- Hlasitost budíku můžete nastavit otáčením **knoflíku pro nastavení hlasitosti** nebo pomocí tlačítek **DOLEVA /DOPRAVA**.
- Požadovanou hlasitost budíku potvrdíte stisknutím tlačítka **OK**.

Časovač

- V nabídce „Nastavení“ zvolte možnost „Časovač“ a zobrazí se 00:00.
- Počet vteřin zvýšíte pomocí tlačítka **DOPRAVA**. Počet vteřin snížíte pomocí tlačítka **DOLEVA**. Stisknutím a podržením tlačítek **DOLEVA/DOPRAVA** můžete měnit vteřiny časovače rychleji.
- Po navolení požadovaného času ho potvrdíte stisknutím tlačítka **OK**.

Jazyk

Zvolte si ze seznamu požadovaný jazyk.

Ztlumení osvětlení

- Jas rádia můžete nastavit tak, že si v nabídce „Nastavení“ zvolíte položku „Ztlumení osvětlení“. Vybrat si můžete z režimů „Úsporný režim“ a „Zapnuto“.
- Pokud zvolíte „Úsporný režim“, můžete si vybrat až z 20 stupňů jasu dle své volby. Když nebude rádio aktivní po dobu 15 vteřin, zapne se tento stupeň jasu a bude sepnutý, dokud nekliknete na nějaké tlačítko a neaktivuje se nastavení „Zapnuto“.
- Pokud zvolíte režim „Zapnuto“, bude tato úroveň osvětlení použita vždy, když bude rádio aktivní nebo ho budete používat.
- Popřípadě můžete také střídát dvě nastavení jasu stisknutím tlačítka **ZTLUMENÍ OSVĚTLENÍ** na dálkovém ovládacím na předním panelu.

Displej

U displeje můžete zvolit nastavení **Barevný** nebo **Černobílý**.

Řízení spotřeby

V rámci této možnosti můžete nastavit, zda se rádio automaticky přepne do pohotovostního režimu po určité době bez aktivity nebo pokud má k dispozici Wi-Fi signál. Můžete si vybrat, zda se rádio přepne do pohotovostního režimu za **5/15/30 minut** nebo můžete vybrat možnost „Vypnout“ a tuto funkci ignorovat.

Časovač vypnutí

- Pokud chcete nastavit časovač vypnutí, jděte do „Nastavení“ a zvolte možnost „Časovač vypnutí“. Můžete si vybrat z možností **Vypnout, 15, 30, 60, 90, 120, 150, 180** minut.
- Další možností nastavení je opakované stisknutí tlačítka **SPÁNEK** na dálkovém ovládacím, kterým můžete přepínat mezi různými časy vypnutí zobrazenými v pravé horní straně displeje. Můžete si vybrat z možností **15, 30, 60, 90, 120, 150, 180** minut.
- Poté, co zvolíte časovač vypnutí, zobrazí se v pravé horní části displeje čas vypnutí a ikona spánku.

Vyrovnávací paměť

Vyrovnávací paměť přehrávání hudby můžete nastavit na: **2 /4 /8 vteřin**.

Počásí

- **Nastavte polohu:** Zvolte a vložte svou polohu.
- **Jednotka teploty:** Vyberte buď „Celsius“ nebo „Fahrenheit“.
- **Zobrazit v pohotovostním režimu:** Zvolením „Zapnuto“ nebo „Vypnuto“ aktivujete nebo deaktivujete zobrazení předpovědi na displeji v pohotovostním režimu. Pokud aktivujete zobrazení předpovědi na displeji, zobrazí se v pohotovostním režimu každých 10 vteřin.

Nastavení FM

- **Režim:** Můžete si vybrat mezi režimy „Mono“ a „Stereo“.
- **Prahová hodnota:** Zvolte nastavení prahové hodnoty (prahová hodnota hledání/prahová hodnota stera).
- (Prahová hodnota slouží k nastavení automatického přepnutí mezi režimem mono a stereo. Pokud je slabý signál, systém přepne automaticky do režimu mono, aby se zredukoval hluk v pozadí a poslech byl čistší.)

Nastavení lokálních stanic

U lokálních stanic raději použijte manuální nastavení než automatické vyhledávání.

Nastavení přehrávání

Zvolte režim přehrávání Media Center: Vypnuto, Opakovat vše, Opakovat jedno, Náhodné přehrávání

Zařízení

Přednastavené jméno pro DLAN je „AirMusic“. Pro nastavení DLAN můžete zařízení přejmenovat.

Tlačítko

V tomto rozhraní nastavení můžete zvolit „Budík“, „Ztlumení osvětlení“, „Ekvalizér“, „Místní stanice“, „Režim“, „Přednastavení“, „Čas vypnutí“ a „Časovač“ a potvrdit tak funkci tlačítka **REŽIM** na předním panelu a na dálkovém ovladači.

Ekvalizér

Přednastavený EQ je normální. Můžete ho změnit na plochý, Jazz, Rock, Soundtracks, vážná hudba, Pop, zprávy nebo My EQ.

Obnovit přehrávání při zapnutí

Pokud zapnete tuto funkci, obnoví rádio při zapnutí přehrávání. Displej namísto toho zůstane v hlavním menu.

Aktualizace softwaru

Zobrazí se zde, pokud je pro rádio k dispozici aktualizace softwaru. Pokud je aktualizace k dispozici, zvolte možnost jejího spuštění.

Vrátit do výchozího nastavení

Tuto možnost zvolte, pokud chcete obnovit nastavení rádia a vrátit veškerá nastavení a přednastavené volby. Pokud chcete provést návrat k výchozímu nastavení jednotky, potvrďte volbu výběrem „ANO“.

Řešení

- Rádio se pokusí o přeladění.
- Spustíte vyhledávání stanic.

Nedochází k napájení

Příčina

- Adaptér není zapojen do sítě.

Řešení

- Zkontrolujte, zda je adaptér zapojený.

Odstraňování potíží

Tento produkt neobsahuje žádné části, jejichž servis by mohl provést uživatel. V případě závady kontaktujte výrobce nebo autorizovaný servis. Otevření vnitřních částí v zařízení může ohrozit váš život. Záruka výrobce se nevztahuje na závady způsobené opravami provedenými neautorizovanými třetími stranami.

Chybí zvuk

Příčina

- Vypnutá hlasitost

Řešení

- Nastavte hlasitost hlavním knoflíkem pro nastavení hlasitosti.

Při režimu Bluetooth se neozývá přehrávání

Řešení

- Zkontrolujte, zda externí zařízení nepožaduje ke spuštění heslo „0000“.

Nelze se napojit na Wi-Fi

Řešení

- Přesvědčte se, že jste zvolili v nastavení režim Wi-Fi a zadali jste pro modem správné heslo.

Statický šum

Příčina

- Příliš špatný příjem signálu.

Řešení

- Nastavte anténu nebo zařízení přemístěte do místa se silnějším signálem.

Zvuk je rušený

Příčina

- Příliš vysoká hlasitost

Řešení

- Snižte hlasitost

Požadovaná stanice nebyla nalezena.

Příčina

- Slabý signál

Řešení

- Použijte funkci manuálního ladění.

Nefunguje funkce DAB

Příčina

- Ve vaší oblasti chybí pokrytí DAB
- Špatný příjem

Řešení

- Nastavte pozici antény.

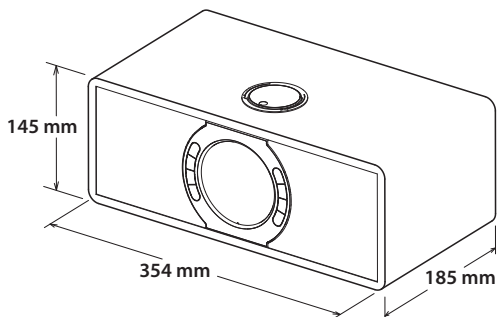
Displej je prázdný.

Příčina

- K tomuto může dojít, pokud rozhlasová stanice během vysílání změní nebo odstraní popis služby.

Technické údaje

Model	DR-I470
Výstupní výkon	2x7W (RMS)
Spotřeba energie (max.)	28W
Spotřeba energie (standardní)	8W
Spotřeba energie v pohotovostním režimu	<1W
Frekvence FM	87.5-108MHz
DAB+ Frekvence	174.928-239.200MHz
Bluetooth	
Verze	V2.1+ EDR
Frekvenční pásma	2402 MHz ~ 2480 MHz
Maximální přenášený výkon	4dBm
Power Adapter	
Název modelu:	FJ-SW1202000N
Vstup:	AC 100-240V ~ 50/60Hz, 0.6A Max
Výstup:	DC 12V ≈ 2000mA
Výrobce:	SHENZHEN FU JIA APPLIANCE CO., LTD B1,Xujing chang Industrial Park, Haoye Road, Fuyong 518103 Shenzhen, China
WIFI	
Wi-Fi připojení:	802.11 b/g/n; STA/AP/AP Client



 **3,16kg**

Dôležité bezpečnostné pokyny

Prečítajte si prosím tieto pokyny. Pred používaním zariadenia by ste si mali prečítať celé bezpečnostné a prevádzkové pokyny.



Výkričník v rovnostrannom trojuholníku upozorňuje používateľa na prítomnosť dôležitých pokynov týkajúcich sa prevádzky a údržby (opráv), ktoré sú uvedené v spravidelnej literatúre k tomuto zariadeniu.



Použite iba napájanie uvedené v návode na používanie.



Tento symbol znamená, že výrobok musí byť zlikvidovaný ekologickým spôsobom a nie s bežným komunálnym odpadom.



AC Napätie striedavého prúdu



DC Napätie jednosmerného prúdu



Zariadenie triedy II



Iba na použitie vo vnútri



Označenie energetickej účinnosti s úrovňou VI



Polarita konektora jednosmerného napájania

Abyste zabránili šíreniu požiaru, nikdy sa k tomuto výrobku nepribližujte so sviečkou alebo iným otvoreným ohňom.



Výstraha:

- Pri prevádzkovaní tohto zariadenia, obzvlášť za prítomnosti detí, vždy dodržiavajte základné bezpečnostné opatrenia.
- Deti by mali byť pod dozorom, aby sa zabezpečilo, že sa s týmto zariadením nehrajú.
- Nepoškodujte napájací kábel ani naň nekladte ťažké predmety, nenatáčajte ho a ani neohýbajte. Taktiež nepripájajte žiadne predlžovacie káble. Poškodený kábel môže spôsobiť požiar alebo úraz elektrickým prúdom.
- Ak je napájací kábel poškodený, musí ho vymeniť výrobca, servisný technik alebo podobne kvalifikovaná osoba, aby sa zabránilo nebezpečenstvu.
- Toto zariadenie musí byť zapojené do elektrickej zásuvky so striedavým prúdom AC 100-240V 50/60Hz. Pri používaní vyššieho napätia môže dôjsť k poruche zariadenia alebo dokonca k požiaru.
- Ak sa napájací kábel nedá zapojiť do vašej elektrickej zásuvky, nezapájajte ho do nej nasilu.
- Zariadenie vypnite pred jeho odpojením od elektrickej zásuvky, aby ste ho úplne odpojili.
- Napájací kábel neodpájajte ani nezapájajte s mokrymi rukami. Môže spôsobiť úraz elektrickým prúdom.
- Napájací kábel odpojte, ak sa dlhšiu dobu nepoužíva.
- Zabezpečte, aby bol k elektrickej zásuvke vždy ľahký prístup.
- Tento výrobok neobsahuje žiadne používateľom opraviteľné diely. V prípade poruchy sa obráťte na výrobcu alebo na oprávnené servisné stredisko. Vystavenie sa vnútorným dielom v tomto zariadení môže ohroziť váš život. Záruka výrobcu sa nevzťahuje na poruchy spôsobené opravami vykonanými neoprávnenými tretími stranami.
- Tento výrobok nepoužívajte tesne po jeho vybalení. Pred jeho použitím počkajte, kým sa zahreje na izbovú teplotu.

- Tento výrobok sa musí používať iba v miernom podnebí (nie v tropickom alebo subtropickom podnebí).
- Výrobok umiestnite na rovný, stabilný povrch, ktorý nie je vystavený vibráciám.
- Zabezpečte, aby zariadenie ani jeho diely nepresahovali cez okraje oporného nábytku.
- Aby sa znížilo nebezpečenstvo požiaru, úrazu elektrickým prúdom alebo poškodenia tohto výrobku, nevystavujte ho priamemu slnečnému svetlu, prachu, dažďu a vlhkosti. Tento výrobok nikdy nevystavujte kvapkajúcim alebo striekajúcim kvapalinám a nekladte naň alebo do jeho blízkosti nádoby naplnené kvapalinami.
- Nedávajte na toto zariadenie žiadne nádoby naplnené kvapalinami, ako sú vázy.
- Toto zariadenie neinštalujte do blízkosti zdrojov tepla, ako napríklad radiátory, vyhrievacie registre, sporáky alebo iné zariadenia (vrátane zosilňovačov), ktoré produkujú teplo.
- Tento výrobok neumiestňujte do prostredia s vysokou vlhkosťou a nedostatočnou ventiláciou.
- Aby bola zabezpečená dostatočná ventilácia, okolo zariadenia musí byť minimálna vzdialenosť 5 cm. Neblokujte žiadne vetracie otvory tohto zariadenia. Vždy zabezpečte, aby vetracie otvory neboli zakryté predmetmi, ako napríklad noviny, obrusy, záclony a podobne.
- NIKDY nikomu nedovoľte, obzvlášť deťom, aby čokoľvek vkladali do otvorov, štrbín alebo iných otvorov v kryte zariadenia, pretože by to mohlo viesť k smrteľnému úrazu elektrickým prúdom.
- Búrky sú nebezpečné pre všetky elektrické zariadenia. Ak blesk zasiahne elektrické alebo anténne vedenie, môže dôjsť k poškodeniu zariadenia aj vtedy, keď je vypnuté. Pred búrkou by ste mali odpojiť všetky káble a konektory zariadenia.

Údržba

- Pred čistením zariadenia odpojte napájací kábel od elektrickej zásuvky.
- Na čistenie vonkajšieho povrchu zariadenia použite mäkkú a čistú handričku. Zariadenie nikdy nečistite pomocou chemikálií alebo čistiacich prostriedkov.

Sieťový adaptér

- Ak chcete odpojiť jednotku z hlavného napájania, odpojte kábel zo zásuvky.
- Použite iba dodaný sieťový adaptér. V opačnom prípade môže dôjsť k bezpečnostnému riziku a/alebo k poškodeniu prístroja.

Batérie

- Pri vkladaní batérií dodržiavajte správnu polaritu.
- Nevystavujte batérie vysokým teplotám a nenechávajte ich na miestach, kde by teplota mohla prudko vzrásť, napr. v blízkosti ohňa alebo na priamom slnku.
- Nevystavujte batérie nadmernému sálavému teplu, neháďte ich do ohňa, nerozoberajte ich, a nepokúšajte sa nabíjať nenabíjateľné batérie. Mohli by vytiecť alebo explodovať.
- Nepoužívajte spolu rôzne typy batérií, ani nemiešajte staré batérie s novými.
- Keď sa diaľkový ovládač dlhšiu dobu nepoužíva (viac ako jeden mesiac), vyberte z neho batériu, aby sa zabránilo jej vytečeniu.
- Ak batérie vytekli, vyutierajte vytečenú kvapalinu v zásuvke batérie a vymeňte ich za nové.
- Nepoužívajte žiadne iné batérie, ako tie, ktoré sú určené.

Batériu neprehltajte, pretože môže dôjsť k nebezpečenstvu chemického popálenia

- Ak dôjde k prehltnutiu batérie, za necelé 2 hodiny môže spôsobiť závažné vnútorné popálenie, čo môže viesť k smrti. Nové a použité batérie uchovávajte mimo dosahu detí. Ak sa zásuvka batérie bezpečne nezatvára, výrobok prestaňte používať a uložte ho mimo dosahu detí.



Ak sa vám zdá, že došlo k prehltnutiu batérie alebo sa nachádza v ktorejkoľvek časti tela, vyhľadajte lekárske ošetrovanie.

Likvidácia tohto zariadenia a batérií

- Tento výrobok alebo batérie nelikvidujte ich odhodením do netriedeného komunálneho odpadu. Odovzdajte ho na určenom zbernom mieste na recyklovanie odpadových elektrických a elektronických zariadení v súlade s miestnymi zákonmi. Týmto pomôžete šetriť zdroje a chrániť životné prostredie.
- Väčšina krajín Európskej únie upravuje likvidáciu batérií podľa zákona. Ak potrebujete viac informácií, obráťte sa na svojho predajcu alebo miestne úrady.



- Na elektrických a elektronických zariadeniach (alebo obale) sú vyznačené vyššie uvedené značky, ktoré používateľa upozorňujú na tieto skutočnosti.
- Od používateľov sa požaduje, aby staré zariadenia a batérie odovzdali do existujúcich zberných zariadení.

Prehlásenie CE:

- Spoločnosť UMC Poland sp. z o.o. týmto prehlasuje, že toto zvukové zariadenie spĺňa základné požiadavky a iné dôležité ustanovenia smernice RED č. 2014/53/EÚ. Úplné znenie vyhlásenia o zhode EÚ je k dispozícii na stránke <http://www.sharpconsumer.eu/documents-of-confirmity>

Obchodné značky:



Značka slova a logá *Bluetooth*[®] sú registrované obchodné značky, ich majiteľom je spoločnosť Bluetooth SIG., Inc.



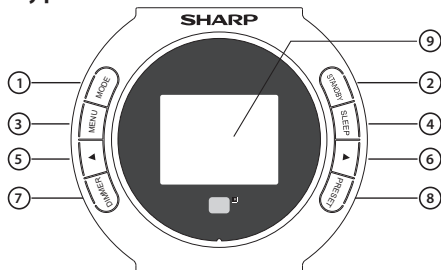
Logo Wi-Fi CERTIFIED je certifikačná značka združenia Wi-Fi Alliance.

Čo sa nachádza v balení:

- 1x hlavná jednotka
- 1x Dialkový ovládač
- 1x napájací adaptér
- 1x návod na používanie
- 1x konektor UK AC pre sieťový adaptér
- 1x konektor EU AC pre sieťový adaptér

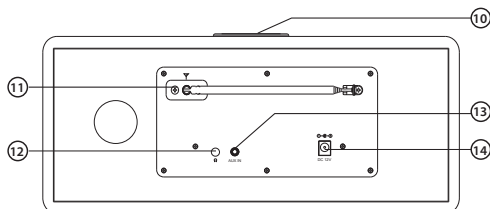
Panely a ovládanie

Predný panel



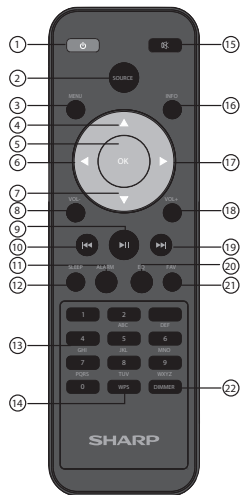
- MODE (REŽIM)** – stlačením zmeníte režimy: DAB/DAB+, FM, Internet Radio (internetové rádio), Bluetooth, vstup AUX IN.
Dá sa nastaviť aj na inú funkciu, a to nastavením z ponuky <Key> (Kľúč) v ponuke **CONFIGURATION** (KONFIGURÁCIA): Alarm, Dimmer (Regulátor svetlosti), Equaliser (Ekvalizér), Local Radio (Lokálne rádio), Mode (Režim), Preset (Predvolba), Sleep Timer (Časovač spánku), Timer (Časovač).
POZNÁMKY: Predvolenou funkciou pre toto tlačidlo je zmena režimu.
- STANDBY (POHOTOVSTNÝ REŽIM)** – stlačením zapnete jednotku alebo prejdete do pohotovostného režimu.
- MENU (PONUKA)** – Stlačením tohto tlačidla vstúpite do rozhrania nastavenia MENU.
- SLEEP (SPÁNOK)** – opakovaným stláčaním nastavte požadovaný čas spánku.
- ◀** – keď ste na obrazovke nastavenia, stlačením prejdete na predchádzajúci výber. Pri počúvaní rádia krátkym stlačením znížite frekvenciu s krokom po 0,05 MHz.
- ▶** – keď ste na obrazovke nastavenia, stlačením prejdete na ďalší výber. Pri počúvaní rádia krátkym stlačením zvýšite frekvenciu s krokom 0,05 MHz.
- DIMMER (REGULÁTOR SVETLOSTI)** – stlačením nastavíte úroveň podsvietenia.
- PRESET (PREDVOLBA)** – keď ste v režime prehrávania internetového rádia, stlačením tohto tlačidla prepnete na stanicu rádia/obrazovku Hudba.
- DISPLAY SCREEN (OBRAZOVKA DISPLEJA)** – slúži na zobrazenie informácií.

Zadný panel



- Regulátor hlasitosti/ regulátor výberu/ tlačidlo OK** – pri prehrávaní otočte regulátorom na úpravu hlasitosti prehrávania. Pri nastavovaní ponuky, otočte regulátorom na výber možnosti; stlačením potvrdíte svoj výber.
- Anténa FM** – slúži na príjem signálu FM.
- Konektor na slúchadlá** – konektor na slúchadlá s veľkosťou 3,5 mm.
- Konektor AUX IN (VSTUP AUX)** – pripojte zvukový kábel s veľkosťou 3,5 mm a vychutnajte si externú hudbu.
- Vstup jednosmerného prúdu** – DC 12 V

Dialkový ovládač



- POHOTOVSTNÝ REŽIM** – stlačením tlačidla **POHOTOVSTNÉHO REŽIMU** na diaľkovom ovládači prebudíte jednotku alebo prepnete do pohotovostného režimu.
- SOURCE (REŽIM)** – Stlačte tlačidlo SOURCE na zmenu režimov prehrávania: DAB / DAB +, FM, AUX IN, Bluetooth, Internetové rádio.
Poznámka: Toto tlačidlo môžete použiť ako ďalšiu funkciu nastavením ponuky <Gombik> v menu NASTAVENIA: Budík, Stlmenie, Ekvalizér, Miestne stanice, Režim, Prednastavenie, Časovač vypnutia, Časovač.
- MENU (PONUKA)** – stlačením tlačidla **MENU (PONUKA)** na diaľkovom ovládači alebo na prednom paneli vstúpite do ponuky, stlačením **SMEROVÝCH** tlačidiel alebo otočením regulátora výberu prechádzajte ponuku: Internet Radio (Internetové rádio), Media Center (Mediálne centrum), FM, DAB/DAB+, Information Center (Informačné centrum), AUX, Bluetooth, Configuration (Konfigurácia), Local Radio (Lokálne rádio).
- HORE / 5. OK / 6. VĽAVO / 7. DOLE / 17. VPRAVO** – pomocou tlačidla **HORE** a **DOLE** alebo otočením regulátora výberu prechádzajte možnosťami, potom stlačte tlačidlo OK na potvrdenie svojho výberu.
- VOL- (HLASISTOŤ-) / 18. VOL+ (HLASISTOŤ+)** – ak chcete upraviť hlasitosť, môžete stlačiť tlačidlá **VOL+ (HLASISTOŤ+)** a **VOL- (HLASISTOŤ-)** alebo priamo otočiť regulátorom hlasitosti.
- PREDCHÁDZAJÚCE / 19. ĎALŠIE** – pri prehrávaní hudby stlačte tlačidlo **PREDCHÁDZAJÚCE** alebo **ĎALŠIE** na preskočenie na predchádzajúcu alebo ďalšiu stopu. Keď počúvate rádio, stlačením tlačidla **PREDCHÁDZAJÚCE** alebo **ĎALŠIE** preskočíte na predchádzajúcu alebo ďalšiu obľúbenú stanicu.
- PREHRÁŤ/POZASTAVIŤ** – stlačením tlačidla **PREHRÁŤ/POZASTAVIŤ** pozastavíte prehrávanie. Opätovným stlačením obnovíte prehrávanie.
- ALARM** – stlačením tlačidla **ALARM** na zobrazenie a vytvorenie alarmu.
- SLEEP (SPÁNOK)** – opakovaným stlačením tlačidla **SLEEP (SPÁNOK)** zvolíte svoj požadovaný čas spánku.

13. **ČÍSLO/PÍSMENO** – pri nastavovaní ponuky napíšte čísla alebo písmená.

14. **WPS** – WPS Nastavenia

15. **STLMENIE HLASISTOSTI** – stlačením tlačidla **STLMENIE HLASISTOSTI** stlmíte zvuk, opätovným stlačením alebo stlačením tlačidiel **VOL+/- (HLASISTOSŤ +/-)** na diaľkovom ovládači alebo otočením regulátora hlasitosti na hornom paneli obnovíte hlasitosť.

16. **INFO** – stlačením tlačidla **INFO** skontrolujete informácie o stanici.

20. **EQ (EKVALIZÉR)** – opakovaným stlačením tlačidla **EQ (EKVALIZÉR)** zvolíte rôzne režimy zvukového ekvalizéra: Normal (Normálne), Flat (Ploché), Jazz (Džez), Rock, Soundtracks (Zvukové stopy), Classical (Klasika), Pop, News (Novinky), My EQ (Môj ekvalizér).

21. **FAV (OBLÚBENÉ)** – dlhým stlačením tlačidla **FAV (OBLÚBENÉ)** uložíte stanicu. Krátkym stlačením tlačidla **FAV (OBLÚBENÉ)** zobrazíte svoje obľúbené uložené stanice.

22. **DIMMER (REGULÁTOR SVETLOSTI)** – stlačením tlačidla **DIMMER (REGULÁTOR SVETLOSTI)** vyberte úroveň podsvietenia

VLOŽENIE ALEBO VÝMENA BATÉRIÍ V DIALKOVOM OVLÁDAČI

1. Zatlčte na západku na kryte batérie v smere šípky na zadnej strane diaľkového ovládača.
2. Počas toho, ako stláčate západku, otvorte kryt batérie.
3. Vložte dve batérie. Dávajte pozor na správnu polaritu +, - podľa zobrazenia. Pri výmene batérií použite iba rovnaký typ ako je dodaná batéria.
4. Nasadte späť kryt batérie a zaklapnite ho na miesto.

Spustenie internetového rádia

Zapojte napájací adaptér do konektora DC IN (VSTUP JEDNOSMERNÉHO PRÚDU). Potom sa na obrazovke zobrazí nápis „Welcome“ (Vitajte).

Uistite sa, že je anténa čo najviac vytiahnutá. Tak budete môcť získať najlepší signál.

Ak používate rádio prvýkrát, po uvítacej obrazovke budete môcť vybrať jazyk prechádzaním **regulátorom výberu** a potvrdiť svoj výber stlačením tlačidla **OK**.

Po nastavení jazyka sa na obrazovke zobrazí nápis „Enable Check Network when Power On?“ (Povoliť kontrolu siete pri zapnutí?). Môžete zvoliť „YES“ (ÁNO) alebo „NO“ (NIE) a rozhodnúť tak, či má jednotka pri zapnutí skontrolovať sieť.

Manuálne nastavenie Wi-Fi

Po vyššie uvedenom nastavení sa na obrazovke zobrazí nápis „Would you like to configure Network now?“ (Chcete teraz konfigurovať sieť?).

- Ak vyberiete „YES“ (ÁNO), vaše rádio začne skenovať okolitú sieť na pripojenie. Po skenovaní musíte zvoliť sieť, do ktorej sa chcete pripojiť. Potom napíšete písmená/čísla prechádzaním pomocou **regulátora výberu** alebo stlačením **tlačidiel ČÍSLA/PÍSMENA**, kým sa nezobrazí správna číslica a kliknite na tlačidlo **VPRAVO** na prejdienie na ďalšiu číslicu. Po dokončení stlačte na potvrdenie tlačidlo **OK**.
- Ak vyberiete „NO“ (NIE), potom môžete túto funkciu nastaviť neskôr v nastaveniach konfigurácie.

Bezdrôtová sieť (WPS PBC)

Ak pri zobrazení „Would you like to configure network now?“ (Chcete teraz konfigurovať sieť?) vyberiete „YES(WPS)“ (ÁNO (WPS)), vaše rádio začne vyhľadávať pripojenia Wi-Fi.

Po výbere tejto voľby budete mať 120 sekúnd na kliknutie tlačidla **WPS** na svojom modeme Wi-Fi. Tak sa rádiom pripojíte k svojej sieti Wi-Fi bez manuálneho zadávania hesla.

Pripojenie k sieti Wi-Fi sa dokončilo!

Po dokončení pripojenia k sieti Wi-Fi manuálnym zadaním hesla k vašej sieti Wi-Fi alebo prostredníctvom WPS sa zobrazí obrazovka hlavnej ponuky a biela farba sa vľavo hore zobrazí signál Wi-Fi. Vaše internetové rádio je teraz nastavené!

Internetové rádio

Pomocou tlačidla **VĽAVO/VPRAVO** alebo otáčaním **regulátora výberu** zvolíte v obrazovke ponuky možnosť <Internet Radio> (Internetové rádio), stlačením tlačidla **OK** vstúpte a budete mať niekoľko možností:

My Favorite (Moje obľúbené): Tu sa uložia vaše obľúbené stanice, aby ste ich mohli jednoducho počúvať. Môžete priamo stlačiť tlačidlo **FAV (OBLÚBENÉ)** a zobrazí zoznam svojich obľúbených stanic.

Radio Station/Music (Rádiová stanica/hudba): Vybratím tejto možnosti prechádzajte internetové rádiové stanice v kategóriách: Global Top 20 (Najlepších 20 na svete), Genre (Žáner), Country/Location (Krajina/lokality), Highlight (Zvýraznené). Nájdate stanice v relevantných kategóriách a vyberte svoju zvolenú internetovú stanicu stlačením tlačidla **OK**.

Local Radio (Lokálne rádio): Rádio sa automaticky nastaví na detekciu najlepších 10 stanic vo vašej krajine, všetkých stanic a množstvo žánrov v kategóriách v abecednom poradi. Vyberte pomocou tlačidla **OK** kategóriu, ktorú chcete počúvať, a pokračujte v prechádzaní až na požadovanú stanicu.

Sleep Radio (Rádio na uspanie): Vyberte si z niekoľkých relaxačných zvukov.

History (História): Prechádzajte nedávno počúvanými stanicami.

Service (Služba): Vyhľadajte rádiovú stanicu alebo pridajte novú rádiovú stanicu.

- Na vyhľadávanie rádiových stanic môžete použiť tlačidlá **ČÍSLA/PÍSMENA**.
- Ak chcete pridať novú rádiovú stanicu, použite tlačidlá **NUMBER/LETTER (ČÍSLA/PÍSMENA)** na zvýraznenie zvoleného znaku a kliknite na tlačidlo **VPRAVO** na presun na ďalší znak. Ak chcete prejsť späť na predchádzajúci znak, stlačte tlačidlo **VĽAVO** na jeho zvýraznenie. Stlačte tlačidlo **OK** na vyhľadanie internetovej stanice.

Uloženie vašich obľúbených stanic internetového rádia

Keď ste našli svoju požadovanú stanicu, stlačte a podržte tlačidlo **FAVOR (OBLÚBENÉ)** na prejdienie na obrazovku nastavenia

„Add to My Favorite“ (Pridať medzi Moje obľúbené). Otáčajte **regulátorom výberu** alebo stláčajte tlačidlo **HORE/DOLE** na zvolenie čísla predvoľby a stlačením tlačidla **OK** potvrdíte svoju voľbu.

Rádio FM

Rozsahfrekvencie FM je od 87,5 MHz do 108,00 MHz. Roztiahnite anténu, aby ste pre každú stanicu našli najsilnejší signál.

Pomocou tlačidla **VĽAVO/VPRAVO** alebo otočením **regulátora výberu** zvolte na obrazovke Menu (Ponuka) <FM>, potom stlačením tlačidla **OK** vstúpte na obrazovku FM.

Ladenie stanice

Stlačením tlačidiel **HORE/DOLE** na diaľkovom ovládači alebo na prednom paneli upravte frekvenciu smerom hore alebo dole po krokoch **0,05 MHz**. Stlačením tlačidla **VĽAVO/VPRAVO** na diaľkovom ovládači preskočte na predchádzajúcu alebo ďalšiu stanicu s najsilnejším príjmom. Po nájdení stanice sa skenovanie automaticky zastaví.

Stlačte tlačidlo **OK**, na obrazovke sa zobrazí nápis „Auto Scan“ (Automatické skenovanie). Ak zvolíte „YES“ (ÁNO), rádio začne vyhľadávať stanice od nízkej po vysokú frekvenciu. A automaticky uloží stanice, ktoré nájde.

Uloženie stanice

Ak chcete uložiť svoju obľúbenú stanicu, mali by ste ju najprv počúvať, potom na diaľkovom ovládači stlačte a dlho podržte tlačidlo **FAV (OBLÚBENÉ)**, potom pomocou tlačidiel **HORE/DOLE** alebo otáčaním **regulátora výberu** zvolte číslicu, ktorú chcete uložiť. Potom stlačením tlačidla **OK** potvrdíte predvoľbu.

Vyvolanie uloženej stanice

1. Stlačením tlačidiel **PREDCHÁDZAJÚCE/DĽAŠIE** na diaľkovom ovládači preskočte na predchádzajúcu alebo ďalšiu predvoľvanú stanicu.
2. Alebo môžete stlačiť tlačidlo **FAV (OBLÚBENÉ)** na výber uloženej stanice, stlačením tlačidla **OK** začnete počúvať stanicu.

DAB/DAB+

Pomocou tlačidiel **VĽAVO/VPRAVO** alebo otáčaním **regulátora výberu** zvolte na obrazovke ponuky <**DAB/DAB+**>, stlačením tlačidla **OK** vstúpite do režimu DAB/DAB+.

Pri prvom použití DAB na vašom rádiu sa začne skenovanie staníc DAB a na obrazovke sa zobrazí nápis „**Scanning**“ (Skenujem). Keď sa vyhľadávanie skončí, zobrazí sa počet nájdených staníc.

Po nájdení všetkých dostupných staníc sa na obrazovke rádia zobrazia na výber dostupné stanice. Pomocou **regulátora výberu** prechádzajte stanicami a označte zvolenú stanicu. Stlačením tlačidla **OK** vyberte stanicu. Po výbere stanice sa na obrazovke zobrazí stanica a spustí sa prehrávanie.

Ak chcete zvoliť predchádzajúcu alebo ďalšiu stanicu, stlačte tlačidlo **PREDCHÁDZAJÚCE** alebo **ĎALŠIE**, aby ste príslušným spôsobom prechádzali stanicami.

Keď ste na vami zvolenej stanici, stlačením tlačidla **INFO** zobrazíte informácie o stanici. Na obrazovke sa budú automaticky postupne zobrazovať informácie a zobrazí sa žánr, MHz, prehrávaná skladba, KHz a Kbps.

Ak chcete prejsť späť na zoznam a manuálne prechádzať stanicami, stlačte tlačidlo **VĽAVO**, aby ste prešli späť na zoznam.

Prednastavenie vašich obľúbených staníc DAB/DAB+

Keď ste našli svoju požadovanú stanicu, podržte na niekoľko sekúnd stlačené tlačidlo **FAV (OBĽÚBENÉ)**, aby ste prešli na obrazovku „**Add to My Favorite**“ (**Pridať medzi Moje obľúbené**). Otáčajte **regulátorom výberu** na zvolenie čísla predvoľby a stlačením tlačidla **OK** potvrdíte výber.

Alternatívne, keď ste na obrazovke zoznamu staníc DAB, môžete označiť zvolenú stanicu a po podržaní stlačeného tlačidla **FAV (OBĽÚBENÉ)** postupujte podľa vyššie opísaného postupu.

Ak chcete zobrazíť svoje obľúbené predvolené stanice, stlačte tlačidlo **FAV (OBĽÚBENÉ)** a pomocou tlačidla **HORE** alebo **DOLE** prechádzajte zoznamom predvoľieb.

Informačné centrum

Pomocou tlačidiel **VĽAVO/VPRAVO** alebo otáčaním **regulátora výberu** zvolte na obrazovke ponuky možnosť <**Information Center**> (**Informačné centrum**), stlačením tlačidla **OK** vstúpite na obrazovku informačného centra.

Informácie o počasí: Ak chcete vybrať informácie o počasí pre požadované miesto, najprv pomocou **regulátora výberu** vyberte svetadiel a potvrdte ho tlačidlom **OK**. Potom vyberte krajinu a potom mesto.

Po výbere mesta, sa zobrazia tieto informácie: aktuálna teplota, obrázok symbolu počasia, rozsah približných teplôt na nasledujúcich 5 dní.

Finančné informácie: Vyberte si z množstva indexov akciových trhov z celého sveta. Pomocou

regulátora výberu prechádzajte a tlačidlom **OK** potvrdíte výber.

Informácie o systéme: Zobrazte verziu systému a informácie o bezdrôtovom pripojení. Ak vyberiete informácie o bezdrôtovom pripojení, môžete nájsť informácie, ako je sila signálu Wi-Fi.

Prevádzka Aux

VSTUP AUX

Pomocou tlačidiel **VĽAVO/VPRAVO** alebo otáčaním **regulátora výberu** zvolte na obrazovke ponuky možnosť <**AUX**>, stlačením tlačidla **OK** vstúpite do režimu AUX.

Zapojte kábel AUX do svojho rádia a pripojte kábel pomocou konektora AUX-IN (VSTUP AUX) na zadnej strane rádia. Začnite prehrávať zvuk zo svojho zariadenia, ten by sa mal v režime AUX prehrať na rádiu.

Výstup (slúchadlá)

Na zadnom paneli rádia je **konektor na slúchadlá**, ktorý vám umožňuje počuť zvuk z vášho rádia. Spustíte prehrávanie zvuku z internetového rádia, mediálneho centra, AUX alebo nastavenia Bluetooth.

Bluetooth

Pomocou tlačidiel **VĽAVO/VPRAVO** alebo otáčaním **regulátora výberu** zvolte na obrazovke ponuky možnosť <**Bluetooth**>, stlačením tlačidla **OK** vstúpite do režimu Bluetooth.

1. Prejdite na nastavenia svojho zariadenia a pripojte svoje zariadenie k rádiu prostredníctvom rozhrania Bluetooth.
2. Vyberte zo svojho zariadenia názov „**SHARP DR-1470**“ v zozname nájdených zariadení. Po úspešnom pripojení z rádia zaznie „**Connected**“ (**Pripojené**) a na displeji sa zobrazí nápis „**Bluetooth Connected**“ (Pripojené pomocou Bluetooth).
3. Vyberte zvolený zvuk na svojom zariadení a prehrajte ho.
4. Teraz si môžete užívať hudbu zo svojho zariadenia.
5. Ak chcete odpojiť zariadenie, prepnite na iný režim prehrávania alebo na svojom zariadení vypnite funkciu Bluetooth.

Konfigurácia

Pomocou tlačidiel **VĽAVO/VPRAVO** alebo otáčaním **regulátora výberu** zvolte na obrazovke zobrazenia hlavnej ponuky možnosť <**Configuration**> (**Konfigurácia**), stlačením tlačidla **OK** vstúpite do nastavení konfigurácie.

Zobrazenie času

Nastavenie typu zobrazenia času: Analógové alebo digitálne.

Spravovať moje médiá

Nastavte funkciu na možnosť Enable (Povoliť) alebo Disable (Zakázať).

Sieť

• Konfigurácia bezdrôtovej siete

- V nastaveniach siete môžete nastaviť pripojenie Wi-Fi výberom možnosti Wireless Network Configuration (Konfigurácia bezdrôtovej siete). Rádio začne vyhľadávať dostupné siete Wi-Fi.
- Nájdiť svoju sieť Wi-Fi a vyberte ju pomocou tlačidla **OK**. Ak chcete napísať písmená/čísla, použite **regulátor výberu** alebo stlačte tlačidlá **PÍSMEN/ČÍSEL**, kým sa nezobrazí správna číslica. Potom stlačte tlačidlo **VPRAVO** na prejdienie na ďalšiu číslicu. Stlačte tlačidlo **VĽAVO**, ak sa chcete vrátiť späť na predchádzajúcu číslicu. Po dokončení stlačte na potvrdenie tlačidlo **OK**.
- Po pripojení k sieti Wi-Fi sa zobrazí obrazovka hlavnej ponuky a bielu farbu sa v ľavom hornom rohu zobrazí signál Wi-Fi.
- **Bezdrôtová sieť (WPS PBC)**
- Vyberte túto možnosť na vyhľadanie siete Wi-Fi. Po výbere tejto voľby budete mať 120 sekúnd na kliknutie tlačidla WPS na svojom modeme Wi-Fi. Tak sa rádiom pripojíte k svojej sieti Wi-Fi bez manuálneho zadávania hesla.

• Manuálna konfigurácia

- Môžete manuálne nastaviť údaje bezdrôtovej siete: DHCP, Enter SSID (Zadať SSID) a Manage (Spravovať).
- **Kontrola siete pro zapnutí**
 - Nastavte na Enable (Povoliť) alebo Disable (Zakázať).

Dátum a čas

• Nastavenie dátumu a času

- **Manuálne nastavenie alebo automatická detekcia**
K dispozícii je možnosť manuálne nastaviť čas a dátum namiesto použitia automatickej detekcie na nastavenie tejto možnosti. Otáčajte **regulátorom výberu** alebo stlačte tlačidlá číslíc na zadanie požadovanej číslice pre mesiac. Keď máte správnu číslicu, kliknite na tlačidlo **VPRAVO** na prejdienie na nastavenie dňa. Pokračujte v tomto postupe

rokom, hodinou a minútami. Keď dokončíte manuálne nastavenie, stlačte tlačidlo **OK**. Ak chcete zrušiť formát dátumu a času, môžete tieto nastavenia zmeniť vo funkcii „Date & Time“ (Dátum a čas).

- **Nastavenie formátu času:** Formát času môžete nastaviť na 12 hodín alebo 24 hodín.
- **Nastavenie formátu dátumu:** RRRR/MM/DD, DD/MM/RRRR, MM/DD/RRRR

Alarm

- **Nastavenie možnosti Alarm 1/ Alarm 2**
 - Ak chcete nastaviť alarm na svojom rádiu, prejdite na nastavenia „**Configuration**“ (Konfigurácia) a vyberte možnosť „**Alarm**“ alebo kliknite na diaľkovom ovládači priamo na tlačidlo **ALARM**.
 - Po vstupe do obrazovky nastavenia alarmu vyberte „**Alarm 1(Turn Off)**“ (Alarm 1 (vyp.)) alebo „**Alarm 2(Turn Off)**“ (Alarm 2 (vyp.)) a zvolením „**Turn On**“ (Zap.) aktivujete alarm.
 - Vyberte „Repeat“ (Opakovať) na výber opakovania alarmu stlačením tlačidla **OK**. Môžete si vybrať medzi Everyday (Každý deň), Once (Raz) alebo môžete vybrať jednotlivé dni, kedy má alarm zaznieť. Po výbere stlačte tlačidlo **VĽAVO** na prejdienie späť na nastavenia iného alarmu.
 - Vyberte „**Time**“ (Čas) a otočte **regulátorom výberu** na označenie hodiny alarmu. Po nájdení požadovaných hodín stlačte tlačidlo **VPRAVO** na zmenu na minúty.
 - Keď sú minúty na správnej hodnote, stlačte tlačidlo **VPRAVO** na zmenu „**AM**“ (Dopoludnia) alebo „**PM**“ (Popoludní), potom stlačte tlačidlo **OK** na potvrdenie a návrat späť na nastavenia alarmu.
 - Potom prejdite dolu a vyberte „**Sound**“ (Zvuk) stlačením tlačidla **OK**. Môžete si vybrať medzi Beep (Pípanie), melody (Melódia), Internet Radio (Internetové rádio), FM alebo DAB/DAB+.
 - Ak nastavíte zvuk alarmu na internetové rádio, FM alebo DAB/DAB+, budete musieť nastaviť svoje predvolené obľúbené stanice. Stlačením tlačidla **OK** vyberte svoju zvolenú stanicu pre alarm.
 - Na obrazovke hlavného displeja sa zobrazí symbol alarmu.

Ako môžete zrušiť svoj alarm

- Ak chcete zrušiť svoj alarm, vyberte v nastaveniach konfigurácie „**Alarm**“ alebo stlačte tlačidlo **ALARM** a vyberte alarm, ktorý chcete vypnúť.
- Po výbere alarmu budete mať možnosť ho vypnúť alebo zapnúť. Označte možnosť „**Turn Off**“ (Vyp.) a na potvrdenie stlačte tlačidlo **OK**.

POZNÁMKA: Zmeňte hlasitosť alarmu prejdiením na nastavenie „**Alarm Volume**“ (Hlasitosť alarmu) na obrazovke nastavenia alarmu.

Ako sa vypína alarm, keď znie

Keď znie váš alarm, stlačte na diaľkovom ovládači tlačidlo **ALARM** alebo tlačidlo **POHOTOVOSTNÝ REŽIM** na zastavenie alarmu. Ak ste nastavili alarm tak, aby znel každý deň alebo viac ako raz, na obrazovke displeja zostane ikona alarmu.

Ako sa odkladá alarm

Keď znie váš alarm, stlačte ľubovoľné tlačidlo okrem tlačidla **POHOTOVOSTNÝ REŽIM** alebo **ALARM** na zastavenie alarmu a prechod do režimu **SNOOZE** (ODLOŽENIE). Funkcia **SNOOZE** (ODLOŽENIE) spustí rádio opäť po 5 minútach.

POZNÁMKA: Alarm **SNOOZE** (ODLOŽENIE) zastavíte stlačením tlačidla **ALARM** alebo **POHOTOVOSTNÝ REŽIM**.

Alarm krátkého spánku

- Po výbere možnosti „**Alarm**“ v nastaveniach konfigurácie alebo po stlačení tlačidla **ALARM** na diaľkovom ovládači vyberte možnosť „**NAP Alarm(Turn Off)**“ (Alarm krátkého spánku (vyp.)).
- Zvoľte, na koľko minút si chcete dať krátky spánok. Na výber máte možnosti: Turn Off (Vyp.), 5 Minutes (5 minút), 10 Minutes (10 minút), 20 Minutes (20 minút), 30 Minutes (30 minút), 60 Minutes (60 minút), 90 Minutes (90 minút), 120 Minutes (120 minút).

Hlasitosť alarmu

- Zmeňte hlasitosť alarmu otáčaním **regulátora hlasitosti** alebo tlačidlami **VĽAVO/VPRAVO**.
- Po výbere správnej hlasitosti alarmu stlačte na potvrdenie tlačidlo **OK**.

Časovač

- V nastaveniach „**Configuration**“ (Konfigurácia) vyberte možnosť „**Timer**“ (Časovač) a na obrazovke sa zobrazí 00:00.
- Ak chcete zvýšiť počet sekúnd, kliknite na tlačidlo **VPRAVO**. Ak chcete znížiť počet sekúnd, kliknite na tlačidlo **VĽAVO**. Stlačením a podržaním tlačidla **VĽAVO/VPRAVO** budete rýchlo prechádzať časovačom.
- Po zvolení správnej hodnoty časovača ju potvrdíte stlačením tlačidla **OK**.

Jazyk

Vyberte jazyk zo zoznamu.

Regulátor svetlosti

- Ak chcete nastaviť jas svojho rádia, prejdite na nastavenia „**Configuration**“ (Konfigurácia) a vyberte možnosť „**Dimmer**“ (Regulátor svetlostí). Môžete si vybrať z režimu „**Power Saving**“ (Šetrenie energie) alebo „**Turn on**“ (Zap.).
- Vyberte režim „**Power Saving**“ (Šetrenie energie) na zmenu jednej s úrovni jasu. Na výber máte z 20 úrovní. Keď s rádiom 15 sekúnd nič nerobíte, nastaví sa táto nižšia úroveň jasu, až kým nekliknete na tlačidlo a aktivuje sa nastavenie „**Turn On**“ (Zap.).
- Vyberte režim „**Turn On**“ (Zap.) na nastavenie jasu, keď sa rádio používa.
- Alternatívne môžete zmeniť nastavenia jasú stlačením tlačidla **DIMMER** (REGULÁTOR SVETLOSTI) na diaľkovom ovládači alebo na prednom paneli.

Displej

Zvoľte, či má byť displej farebný (možnosť **Color** (Farebný)) alebo monochromatický (možnosť **Monochrome** (Monochromatický)).

Správa napájania

Výberom tejto možnosti môžete konfigurovať rádio tak, aby po nastavenom čase nečinnosti alebo ak nie je signál Wi-Fi prešlo do pohotovostného režimu. Môžete vybrať **5/15/30 minutes** (5/15/30 minút) na prejdienie do pohotovostného režimu alebo môžete vybrať možnosť „**Turn Off**“ (Vyp.) na ignorovanie tejto funkcie.

Časovač spánku

- Ak chcete nastaviť časovač spánku, prejdite na nastavenia „**Configuration**“ (Konfigurácia) a vyberte „**Sleep Timer**“ (Časovač spánku). Môžete zvoliť možnosti **Turn Off (Vyp.)**, **15, 30, 60, 90, 120, 150, 180** minút.
- Alternatívne môžete na diaľkovom ovládači opakovane stlačiť tlačidlo **SLEEP** (SPÁNOK) na prepnutie medzi časmi spánku v pravej hornej časti obrazovky displeja. K dispozícii je možnosť **15, 30, 60, 90, 120, 150, 180 minutes** (15, 30, 60, 90, 120, 150, 180 minút).
- Po výbere časovača spánku sa v pravej hornej časti obrazovky displeja zobrazí hodnota časovača a obrázok spánku.

Vyrovnávacia pamäť

Konfigurujte dobu vyrovnávacej pamäte počas prehrávania hudby: **2 /4 /8 seconds** (2 /4 /8 sekúnd).

Počasie

- **Nastavenie lokality:** Zvoľte a zadajte svoju lokalitu.
- **Jednotka teploty:** Zvoľte svoju preferovanú jednotku teploty „Celsius“ (Celsius) alebo „Fahrenheit“.
- **Zobrazenie v pohotovostnom režime:** Zvoľte „Off“ (Vyp.) alebo „On“ (Zap.) na deaktiváciu alebo aktiváciu zobrazenia predpovede počasia na obrazovke pohotovostného režimu. Keď aktivujete zobrazenie predpovede počasia, zobrazí sa na obrazovke pohotovostného režimu každých 10 sekúnd.

Nastavenie FM

- **Režim:** Môžete nastaviť režim „Mono“ alebo „Stereo“.
- **Prahová hodnota:** Vyberte nastavenia prahovej hodnoty (prahovej hodnoty vyhladávanía/prahovej hodnoty sterea).
- (Prahová hodnota slúži na nastavenie automatického prepínania medzi režimami Mono a Stereo. Keď je rádio na mieste so slabým príjmom, systém sa automaticky prepne na režim Mono, aby sa znížil šum na pozadí stanice a aby bol zvuk čistejší.)

Nastavenie lokálneho rádia

Manuálne nastavte svoju lokalitu pre lokálne rádio namiesto toho, aby ste umožnili rádiu automatickú detekciu.

Nastavenie prehrávania

Vyberte režim prehrávania mediálneho centra: Off (Vyp.), Repeat All (Opakovať všetko), Repeat one (Opakovať jednu), Shuffle (Náhodné prehrávanie).

Zariadenie

Predvolený názov pre DLAN je „AirMusic“. Zariadenie môžete pre nastavenie DLAN premenovať.

Tlačidlo

V tomto rozhraní nastavenia môžete vybrať „Alarm“, „Dimmer“ (Regulátor svetlosti), „Equaliser“ (Ekvalizér), „Local Radio“ (Lokálne rádio), „Mode“ (Režim), „Preset“ (Predvoľba), „Sleep Timer“ (Časovač spánku) a „Timer“ (Časovač) na potvrdenie funkcie tlačidla **MODE (REŽIM)** na prednom paneli a na diaľkovom ovládači.

Ekvalizér

Predvolený ekvalizér je normálny. Môžete ho zmeniť na možnosť Flat (Ploché), Jazz (Džez), Rock, Soundtracks (Zvukové stopy), Classical (Klasika), Pop, News (Novinky), My EQ (Môj ekvalizér).

Obnovenie pri zapnutí napájania

Zapnite funkciu rádia, ktorá sa má obnoviť pri zapnutí napájania. Namiesto toho obrazovka zostane v hlavnej ponuke.

Aktualizácia softvéru

Táto možnosť sa zobrazí, ak je pre rádio k dispozícii aktualizácia softvéru. Ak je nejaká k dispozícii, vyberte ju, nech sa iniciuje aktualizácia.

Reset na predvolené nastavenia

Vyberte túto možnosť na resetovanie svojho rádia a vrátenie všetkých nastavení na predvolené nastavenia. Potvrďte, že chcete resetovať jednotku a jej nastavenia výberom možnosti „**YES**“ (ÁNO).

Riešenie problémov

Tento výrobok neobsahuje žiadne používateľom opraviteľné diely. V prípade poruchy sa obráťte na výrobcu alebo na oprávnené servisné stredisko. Vystavenie sa vnútorným dielom v tomto zariadení môže ohroziť váš život. Záruka výrobcu sa nevzťahuje na poruchy spôsobené opravami vykonanými neoprávnenými tretími stranami.

Žiadny zvuk

Príčina

- Hlasitosť nie je dostatočne vysoká.

Riešenie

- Upravte hlavný otočný regulátor hlasitosti.

Žiadny zvuk z pripojenia Bluetooth

Riešenie

- Skontrolujte, či externé zariadenie na začatie vyžaduje heslo „0000“.

Rádio sa nepripája k sieti Wi-Fi

Riešenie

- Uistite sa, či je v nastaveniach vybraný režim Wi-Fi a či bolo pre modem Wi-Fi zadané správne heslo.

Statický zvuk

Príčina

- Prijem signálu je príliš slabý.

Riešenie

- Upravte anténu alebo presuňte prístroj na miesto so silnejším signálom.

Zvuk je zdeformovaný

Príčina

- Hlasitosť je príliš vysoká

Riešenie

- Znížte hlasitosť

Požadovaná stanica sa nenašla

Príčina

- Slabý signál

Riešenie

- Použite funkciu ručného ladenia.

Žiadne funkcie DAB

Príčina

- Vo vašej oblasti nie je pokrytie signálom DAB.
- Slabý príjem

Riešenie

- Upravte polohu antény.

Zobrazenie je prázdné.

Príčina

- Môže sa to stať, ak vysielateľ zmení označenie služby alebo počas ladenia odstráni označenie.

Riešenie

- Rádio sa pokúsi znova naladiť stanicu.
- Vykonaajte skenovanie.

Žiadne napájanie

Príčina

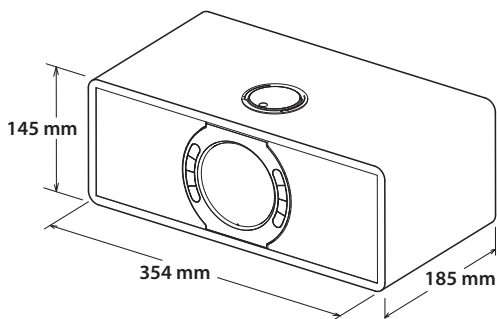
- Adaptér nie je pripojený do elektrickej zásuvky.

Riešenie

- Uistite sa, či je adaptér pripojený

Technické parametre

Model	DR-I470
Výstupný výkon	2x7W (RMS)
Príkon (max.)	28W
Príkon (štandard)	8W
Príkon v pohotovostnom režime	<1W
Frekvencia FM	87.5-108MHz
Frekvencia DAB+	174.928-239.200MHz
Bluetooth	
Verzia	V2.1+ EDR
Frekvenčné pásma	2402 MHz ~ 2480 MHz
Maximálny prenášaný výkon	4dBm
Power Adapter	
Názov modelu:	FJ-SW1202000N
Vstup:	AC 100-240V ~ 50/60Hz, 0.6A Max
Výstup:	DC 12V =2000mA
Výrobca:	SHENZHEN FU JIA APPLIANCE CO., LTD B1,Xujing chang Industrial Park, Haoye Road, Fuyong 518103 Shenzhen, China
WIFI	
Wifi pripojenie:	802.11 b/g/n; STA/AP/AP Client



 **3,16kg**

Instruções de segurança importantes

Por favor, leia estas instruções de segurança importantes e respeite os seguintes avisos antes de pôr o aparelho em funcionamento:



O ponto de exclamação dentro de um triângulo equilátero é suposto ser um alerta para o utilizador da presença de instruções importantes de funcionamento e manutenção (assistência técnica) no material que acompanha o eletrodoméstico.



Use apenas a fonte de alimentação listada no manual do utilizador.



Este símbolo significa que o produto deve ser eliminado do modo mais benéfico para o ambiente e não junto com lixo doméstico.



AC Tensão CC



Tensão DC



Equipamento de Classe II



Apenas para uso interno



Eficácia energética marcada com o nível VI



Polaridade do conector de alimentação d.c.

De modo a prevenir incêndios, mantenha velas e outras chamas abertas sempre longe deste produto.



Aviso:

- Siga sempre as precauções básicas de segurança ao usar este eletrodoméstico, especialmente quando na presença de crianças.
- As crianças devem ser supervisionadas para garantir que não brincam com o eletrodoméstico.
- Não danifique o cabo de alimentação, nem coloque nenhuns objetos pesados sobre este, puxe ou dobre-o. Não use extensões. Os danos no cabo de alimentação podem provocar um incêndio ou choque elétrico.
- Se o cabo de alimentação for danificado, terá de ser substituído pelo produtor, um agente de serviço ou pessoal igualmente qualificado de modo a evitar riscos.
- Certifique-se de que a unidade está ligada a uma tomada CA 100-240V 50/60Hz. A utilização de voltagem superior pode provocar o mau funcionamento da unidade ou até que esta pegue fogo.
- Se a ficha não couber na tomada, não force a ficha para entrar numa tomada elétrica se não couber nela.
- Desligue a unidade antes de desconectá-la da fonte de energia para desligá-la totalmente.
- Não desligue nem ligue o cabo de alimentação com as mãos molhadas. Isso pode provocar choque elétrico.
- Desligue o cabo de alimentação, caso não seja usado por um período prolongado.
- Certifique-se de que a tomada principal está sempre facilmente acessível.
- Este produto não contém nenhuma peça que possa ser consertada pelo utilizador. Em caso de falha, contacte o produtor ou o agente de serviço autorizado. A exposição das peças internas do aparelho pode pôr a sua vida em risco. A garantia do produtor não inclui falhas provocadas por consertos levados a cabo por terceiros não autorizados.

- Não use este produto imediatamente após desembalá-lo. Aguarde até este se aquecer até à temperatura da divisão antes de o usar.
- Certifique-se de que este produto é usado apenas em climas moderados (não em climas tropicais/subtropicais).
- Coloque o produto numa superfície plana e estável, não sujeita a vibrações.
- Certifique-se de que o produto e as suas peças não ficam pendurados na beira do móvel de apoio.
- Para reduzir o risco de incêndio, choque elétrico ou danos no produto, não o exponha a luz solar direta, pó, chuva e humidade. Nunca o exponha a gotejar ou salpicos e não coloque objetos com líquido em cima ou perto do produto.
- Não coloque nenhuns objetos com líquido, como jarros, em cima do aparelho.
- Não instale perto deste nenhuma fonte de calor, como radiadores, aquecimento, fornos ou outros aparelhos (incluindo amplificadores) que produzam calor.
- Não coloque o produto em locais com muita humidade ou fraca ventilação.
- Garanta uma distância mínima de 5 cm à volta do aparelho para uma ventilação suficiente. Não bloqueie as aberturas de ventilação deste produto. Certifique-se de que as aberturas de ventilação estão desimpedidas de objetos como jornais, panos de mesa, cortinas, etc.
- NUNCA deixe ninguém, sobretudo crianças, colocar nada dentro dos furos, ranhuras ou quaisquer outras aberturas na estrutura da unidade, pois isto poderá originar um choque elétrico fatal.
- Trovoadas são perigosas para todos os aparelhos elétricos. Se a ligação elétrica de alimentação ou da antena for atingida por um relâmpago, o eletrodoméstico pode ficar danificado, mesmo se estiver desligado. Deve desligar todos os cabos e conectores do eletrodoméstico antes de uma trovoada.

Manutenção

- Antes de limpar o eletrodoméstico, desligue o cabo de alimentação da fonte de alimentação.
- Use um pano suave e limpo para limpar o exterior da unidade. Nunca a limpe com produtos químicos ou detergentes.

Adaptador de energia

- Para desligar a unidade da rede elétrica, desligue o cabo da tomada.
- Utilize apenas o adaptador incluído, pois o incumprimento disto pode consistir num risco para a segurança e/ou em danos na unidade.

Pilhas

- Observe a polaridade correta ao inserir as pilhas.
- Não exponha as pilhas a temperaturas elevadas e não as coloque em locais onde a temperatura possa aumentar rapidamente, por ex., perto de fogo ou à luz solar direta.
- Não exponha as pilhas a calor radiante excessivo, não as atire para o fogo, não as desmonte e não tente carregar baterias não recarregáveis. Pode ocorrer vazamento ou explosão.
- Nunca use pilhas diferentes em conjunto, nem misture novas com velhas.
- Quando não usar o telecomando durante um período prolongado (mais de um mês), retire a pilha deste para evitar vazamentos.
- Se as pilhas vazarem, limpe o derrame de dentro do compartimento das pilhas e substitua-as por novas.
- Não use pilhas que não sejam as especificadas.

Não ingira as pilhas, risco de queimadura química

- Se a pilha for ingerida, pode provocar queimaduras internas severas em apenas 2 horas e levar à morte. Mantenha as pilhas novas e usadas longe de crianças. Se o compartimento das pilhas não se fechar com segurança, deixe de usar o produto e mantenha-o longe de crianças. Se achar que as pilhas podem ter sido engolidas ou colocadas dentro de qualquer parte do corpo, procure imediatamente ajuda médica.



Eliminação do equipamento e das pilhas

Não elimine este produto ou as pilhas como lixo municipal não segregado. Devolva-o no ponto de recolha para reciclagem de REEE designado de acordo com a legislação local. Ao fazê-lo estará a ajudar a conservar recursos e a proteger o ambiente.



- A maioria dos países da UE tem regulamentos legais sobre a eliminação de pilhas. Contacte o seu revendedor ou as autoridades locais para mais informações.



- O acima apresentado aparece em equipamento elétrico e eletrónico e em pilhas (ou na embalagem) para lembrar os utilizadores de tal.
- Os utilizadores devem usar as unidades de devolução de equipamento e pilhas usados.

Declaração CE:

- Pelo presente, a UMC sp. z o.o. declara que este dispositivo áudio encontra-se em conformidade com os requisitos essenciais e outras disposições relevantes da Diretiva RED 2014/53/EU. O texto completo referente à declaração de conformidade da UE está disponível na ligação <http://www.sharpconsumer.eu/documents-of-confirmity>

Marcas registadas:



A marca verbal e o logo Bluetooth® são marcas registadas propriedade da Bluetooth SIG, Inc.



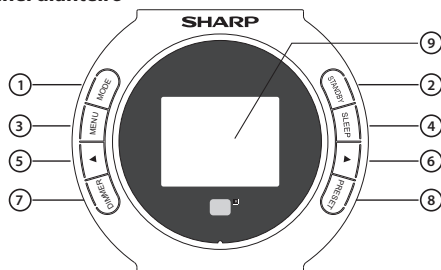
O logotipo Wi-Fi CERTIFIED é uma marca de certificação da Wi-Fi Alliance

O que se encontra incluído na caixa:

- 1x Unidade principal
- 1x Telecomando
- 1x Adaptador de alimentação
- 1x Manual do utilizador
- 1x ficha CA UK para o adaptador de alimentação
- 1x ficha CA EU para o adaptador de alimentação

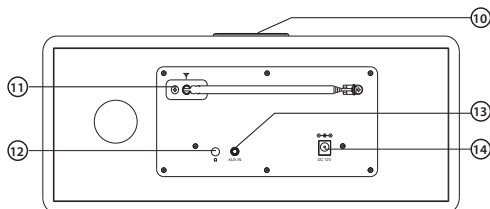
Painéis e controlos

Painel dianteiro



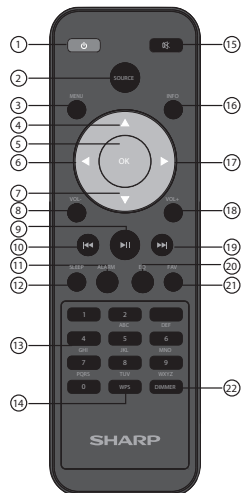
- MODE** – Carregue para alterar os modos: DAB/DAB+, FM, Rádio pela Internet, Bluetooth, AUX IN. Pode também ser definido com outra função definida a partir do menu <Chave> em **CONFIGURAÇÃO**: Alarme, Controlo do Brilho, Equalizador, Rádio Local, Modo, Predefinido, Temporizador para desligar, Temporizador.
- NOTAS**: A função padrão deste botão é mudar de modo.
- STANDBY** – Carregue neste botão para ligar a unidade ou entrar no modo de standby (espera).
- MENU** – Carregue neste botão para entrar na Interface de Configuração do MENU.
- SLEEP** – Carregue várias vezes para definir a hora de desligar desejada.
- ◀** – No ecrã de definições, carregue para voltar à seleção anterior. Quando estiver a ouvir rádio, carregue brevemente para diminuir a frequência em intervalos de 0,05MHz.
- ▶** – No ecrã de definições, carregue para ir para a estação seguinte. Quando estiver a ouvir rádio, carregue brevemente para aumentar a frequência em intervalos de 0,05MHz.
- DIMMER** – Carregue para definir o nível da luz de fundo.
- PRESET** – Quando houver reprodução de rádio pela Internet, carregue neste botão para mudar para o ecrã da estação de rádio/música.
- ECRÃ DO MOSTRADOR** – Para apresentar a informação.

Painel traseiro



- Manipulo de Volume/ Manipulo de Seleção/ Botão OK** – Quando em reprodução, gire o manipulo para ajustar o volume. Ao definir o menu, gire o manipulo para selecionar as opções; carregue para confirmar a sua seleção.
- Antena FM** – Para receber o sinal FM.
- Tomada dos auscultadores** – tomada de auscultadores de 3,5mm.
- Tomada AUX IN** – Ligue o cabo áudio de 3,5mm para desfrutar de música de áudio externo.
- Entrada de alimentação DC** – DC 12V

Telecomando



- STANDBY** – Carregue no botão **STANDBY** do telecomando para acordar a unidade ou mudar para o modo de standby (espera).
- SOURCE** – Carregue no botão **SOURCE** para alterar os modos de reprodução: DAB / DAB +, FM, AUX IN, Bluetooth, Rádio pela Internet.
Nota: Este botão pode ser usado como outra função, configurando a partir do item <Botão> na **CONFIGURAÇÃO**: Alarme, Controlo do Brilho, Equalizador, Rádio local, Modo, Predefinir, Temporizador Para Desligar, Temporizador
- MENU** – Carregue no botão **MENU** do telecomando ou do painel dianteiro para entrar no menu da reprodução. Carregue nos botões de **DIREÇÃO** ou gire o manipulo de seleção para pesquisar o menu: Rádio pela Internet, Centro Multimédia, FM, DAB/DAB+, Centro de Informação, AUX, Bluetooth, Configuração, Rádio Local.
- CIMA/ 5. OK / 6. ESQUERDA / 7. BAIXO / 17. DIREITA** – Deslize o botão para **CIMA** e **BAIXO** ou gire o manipulo de seleção para pesquisar através das opções. Em seguida, carregue no botão **OK** para confirmar a sua seleção.
- VOL- / 18. VOL+** – Para ajustar o volume, pode carregar nos botões **VOL+** e **VOL-** ou girar diretamente o manipulo de volume.
- ANTERIOR / 19. SEGUINTE** – Quando tocar uma música, carregue no botão **ANTERIOR** ou **SEGUINTE** para saltar para a faixa anterior ou seguinte. Quando ouvir rádio, carregue no botão **ANTERIOR** ou **SEGUINTE** para saltar para a estação favorita anterior ou seguinte.
- REPRODUZIR/PAUSA** – Carregue no botão **REPRODUZIR/PAUSA** para parar a reprodução e volte a carregar para retomar.
- ALARM** – Carregue no botão **ALARM** para ver e criar as opções do alarme.

12. **SLEEP** – Carregue várias vezes no botão **SLEEP** para escolher a hora de desligar desejada.
13. **NÚMERO/LETRA** – Quando definir o menu, escreva números ou letras.
14. **WPS** – WPS configurações
15. **MUTE** – Carregue no botão **MUTE** para silenciar o som. Carregue novamente ou carregue nos botões **VOL+/-** do telecomando ou gire o manipulador de volume do painel superior para retomar.
16. **INFO** – Carregue no botão **INFO/MENU** para verificar a informação da estação.
20. **EQ** – Carregue várias vezes no botão **EQ** para escolher diferentes tipos de som: Normal, Constante, Jazz, Rock, Banda Sonora, Clássica, Pop, Notícias, o meu EQ.
21. **FAV** – Carregue longamente no botão **FAV** para guardar a estação. Carregue levemente no botão **FAV** para ver as suas estações favoritas guardadas.
22. **DIMMER** – Carregue no botão **DIMMER** para selecionar o nível da luz de fundo

ENCAIXAR OU SUBSTITUIR AS PILHAS DO TELECOMANDO

1. Empurre o fecho da tampa das pilhas na direção da seta em relevo, na parte de trás do telecomando.
2. Enquanto empurra o fecho, abra a tampa das pilhas.
3. Encaixe duas pilhas de acordo com a polaridade +,- tal como indicado. Quando substituir as pilhas, use apenas o mesmo tipo das pilhas fornecidas.
4. Volte a colocar a tampa das pilhas e feche-a no sítio.

Iniciar a rádio pela Internet

Ligue o adaptador de energia à tomada DC IN. Aparecerá a indicação “**Bem-vindo**” no ecrã.

Certifique-se de que a antena está esticada o mais possível. Isto permitirá-lhe obter o melhor sinal disponível.

Depois do ecrã de boas-vindas, caso seja a primeira vez que está a usar o rádio, poderá selecionar a língua deslizando com o **manipulo de seleção** para confirmar a seleção carregando no botão **OK**.

Depois das definições da língua, o ecrã apresentará “**Ativar verificação da rede quando ligado?**”. Pode escolher “**SIM**” ou “**NÃO**” para decidir se a unidade irá ou não procurar rede quando estiver ligado.

Definição manual do WIFI

Depois das definições acima, o ecrã apresentará “**Gostaria de configurar a rede agora?**”

- Se selecionar “**SIM**”, o rádio começará a procurar redes próximas a que ligar. Após a pesquisa, terá de escolher a rede a que ligar. Escreva as letras/números deslizando com o **manipulo de seleção** ou carregando nos botões de **NÚMEROS/LETRAS** até o dígito correto aparecer no mostrador e clique no botão da **DIREITA** para passar ao dígito seguinte. Quando terminar, carregue no botão **OK** para confirmar.
- Se selecionar “**NÃO**”, pode defini-lo mais tarde nas definições de configuração.

Rede Wireless (WPS PBC)

Quando estiver no passo “**Gostaria de configurar a rede agora?**”, se selecionar “**SIM(WPS)**”, o rádio começará a procurar ligações WiFi.

Enquanto isto estiver selecionado, terá 120 segundos para clicar no botão **WPS** no seu modem WiFi. Isto ligará o WiFi ao seu rádio sem ter de escrever a senha manualmente.

Ligação WiFi terminada!

Assim que o WiFi estiver terminado ao ter introduzido a senha do WiFi manualmente ou através do WPS, será reencaminhado para o ecrã do menu principal e o sinal de WiFi aparecerá em branco no canto superior esquerdo. A sua rádio Internet está definida!

Rádio pela Internet

Use os botões **ESQUERDA/DIREITA** ou gire o **manipulo de seleção** para selecionar <**Rádio pela Internet**> no ecrã do menu. Carregue no botão **OK** para introduzir e aparecerão várias opções:

Minhas Favoritas: As suas estações favoritas serão guardadas aqui para ouvir facilmente. Pode carregar diretamente no botão **FAV** para ver a lista de estações favoritas.

Estação de rádio/música: Selecione esta opção para procurar estações de rádio pela Internet nas seguintes categorias: Top 20 mundial, Género, País/Localidade, Destaques. Encontre estações nas categorias relevantes e selecione a estação da Internet escolhida carregando no botão **OK**.

Rádio local: O rádio está automaticamente definido para detetar o seu país, as estações do Top 10, todas as estações e uma variedade de géneros em categorias por ordem alfabética. Selecione a categoria que deseja ouvir com o botão **OK** e continue a procurar até à estação desejada.

Rádio para dormir: Escolhe dentre múltiplos sons relaxantes.

Histórico: Procure nas estações recentemente escutadas.

Serviço: Procure uma estação de rádio ou adicione uma estação nova.

- Pode usar os botões de **NÚMEROS/LETRAS** para procurar estações de rádio.
- Para adicionar uma nova estação, use os botões de **NÚMEROS/LETRAS** para salientar os caracteres e clique no botão da **DIREITA** para passar ao carácter seguinte. Para regressar ao carácter anterior, carregue no botão da **ESQUERDA** para salientar. Carregue no botão **OK** para procurar estações da Internet.

Guarde as suas estações de rádio pela Internet favoritas

Quando **JÁ** tiver encontrado a estação desejada, carregue e mantenha o botão **FAVOR** para ir para o ecrã de definições

“**Adicionar aos favoritos**”. Gire o **marcador de seleção** ou carregue nos botões **CIMA/BAIXO** para selecionar o número predefinido e carregue no botão **OK** para confirmar a sua opção.

Rádio FM

O alcance da frequência FM é entre 87,5MHz e 108,00MHz. Estique a antena para apanhar o sinal mais forte de cada estação.

Use os botões **ESQUERDA/DIREITA** ou gire o **marcador de seleção** para selecionar <**FM**> no ecrã do menu. Carregue no botão **OK** para entrar no ecrã FM.

Sintonizar estações

Carregue nos botões **CIMA/BAIXO** do telecomando ou no painel dianteiro para ajustar a frequência para cima ou para baixo em intervalos de **0,05MHz**.

Carregue nos botões **ESQUERDA/DIREITA** do telecomando para saltar para a estação anterior ou seguinte com a receção mais forte. Assim que for encontrada uma estação, a pesquisa automática para.

Carregue no botão **OK**, aparecerá a indicação “**Pesquisa Automática**” no ecrã. Se selecionar “**SIM**”, o rádio começará a procurar estações a começar nas frequências baixas. Guardará automaticamente as estações que encontrar.

Armanazar estações

Para guardar as suas estações favoritas, primeiro deverá ouvir a estação, depois carregar longamente no botão **FAV** do telecomando e usar os botões **CIMA/BAIXO** ou girar o **manipulo de seleção** para selecionar o dígito que quer guardar. Carregue no botão **OK** para confirmar a predefinição.

Ligar uma estação armazenada

1. Carregue nos botões **ANTERIOR/SEGUINTE** do telecomando para saltar para a estação anterior ou seguinte.
2. Ou pode carregar no botão **FAV** para selecionar a estação armazenada. Carregue no botão **OK** para ouvir.

DAB/DAB+

Use os botões **ESQUERDA/DIREITA** ou gire o **manipulo de seleção** para selecionar <**DAB/DAB+**> no ecrã do menu. Carregue no botão **OK** para entrar no modo de DAB/DAB+.

Da primeira vez que usar o DAB no seu rádio, este começará a procurar estações DAB e apresentará a indicação “**A procurar**” no ecrã do mostrador. Apresentará a quantidade de estações encontradas à medida que a

procura continua.

Assim que forem encontradas todas as estações disponíveis, o ecrã do rádio apresentará a seleção de estações disponíveis. Use o **manipulo de seleção** para deslizar através das estações e salientar a escolhida. Selecione a estação carregando no botão **OK**.

Quanto tiver selecionado uma estação, o ecrã apresentá-la-á e começará a reprodução.

Para selecionar a estação anterior ou seguinte, carregue no botão **ANTERIOR** ou **SEGUINTE** como desejar.

Quando encontrar a estação desejada, carregue no botão **INFO** para ver informações sobre a estação. O ecrã deslizará automaticamente informação e apresentará o género, MHZ, lista de música, KHz e Kbps.

Para regressar à lista e procurar manualmente, carregue no botão da **ESQUERDA** para regressar à lista.

Predefinir as suas estações DAB/DAB+ favoritas

Quando tiver encontrado a sua estação favorita, carregue e mantenha o botão **FAV** durante uns segundos, para entrar no ecrã " Adicionar aos favoritos". Gire o **manipulo de seleção** para selecionar o número predefinido e carregue no botão **OK** para confirmar.

Em alternativa, quando estiver no ecrã com a lista de estações DAB, pode salientar a estação escolhida e manter o botão **FAV** para seguir a indicação acima. Para ver as suas estações favoritas predefinidas, carregue no botão **FAV** e use os botões **CIMA** ou **BAIXO** para deslizar pela lista predefinida.

Centro de informações

Use os botões **ESQUERDA/DIREITA** ou gire o **manipulo de seleção** para escolher o <Centro de Informações> no ecrã principal do mostrador. Carregue no botão **OK** para entrar no ecrã do Centro de Informações.

Informação do tempo: Para selecionar a informação do estado do tempo num determinado local, primeiro selecione o continente usando o **manipulo de seleção** para deslizar e o botão **OK** para confirmar. Em seguida, siga as mesmas indicações para o país e depois a cidade.

Quando escolher uma cidade, serão apresentadas as seguintes informações: temperatura atual, imagem do símbolo meteorológico, alcance de temperaturas aproximado para os próximos 5 dias.

Informação financeira: Seleccione de uma variedade de índices de bolsas de todo o mundo. Use o

manipulo de seleção para deslizar e o botão **OK** para confirmar.

Informação do sistema: Veja informações sobre a versão do sistema e a ligação wireless. Se for selecionada a informação sobre o wireless, podem ser encontradas informações como a força do sinal de WIFI.

Função AUX

AUX IN

Use os botões **ESQUERDA/DIREITA** ou gire o **manipulo de seleção** para selecionar <AUX> no ecrã do menu. Carregue no botão **OK** para entrar no modo AUX.

Ligue um cabo AUX no rádio e ligue o cabo através da porta AUX-IN na parte de trás do rádio. Comece a reproduzir áudio no dispositivo e este deverá ser reproduzido no rádio, se estiver no modo AUX.

Line Out (Auscultadores)

No painel traseiro do rádio, a **tomada dos auscultadores** permite ouvir áudio a partir do seu rádio. Comece a reproduzir áudio a partir das definições da rádio pela Internet, Centro Multimédia, AUX ou Bluetooth.

Bluetooth

Use os botões **ESQUERDA/DIREITA** ou gire o **manipulo de seleção** para selecionar <BLUETOOTH> no ecrã do menu. Carregue no botão **OK** para entrar no modo de Bluetooth.

1. Entre nas definições do dispositivo para o ligar ao rádio através de Bluetooth.
2. Selecione o nome "SHARP DR-I470" na lista encontrada no dispositivo. Assim que se ligar com sucesso, o rádio emitirá o som "Ligado" e aparecerá a indicação "Bluetooth ligado" no mostrador.
3. Selecione o áudio escolhido no dispositivo e toque.
4. Agora pode desfrutar da música do seu dispositivo.
5. Para desligar um do outro, mude para outro modo de reprodução ou desligue a função de Bluetooth no dispositivo.

Configuração

Use os botões **ESQUERDA/DIREITA** ou gire o **manipulo de seleção** para escolher <Configuração> no ecrã principal do mostrador. Carregue no botão **OK** para entrar nas definições de configuração.

Mostrador da hora

Selecione o tipo de mostrador da hora: Analógico ou digital.

Gerir my media U

Defina a função como ativada ou desativada.

Rede

- **Configurações da rede wireless**
 - Nas definições da rede pode definir uma ligação WIFI selecionando a configuração da rede wireless. O rádio começará a procurar redes WIFI disponíveis.
 - Encontre a sua ligação WIFI e selecione-a com o botão **OK**. Para escrever as letras/números, use o **manipulo de seleção** ou **carregue nos botões de LETRAS/NÚMEROS** até aparecer o dígito correto. Depois carregue no botão da **DIREITA** para passar ao dígito seguinte. Carregue no botão da **ESQUERDA** se desejar regressar ao dígito anterior. Quando terminar, carregue no botão **OK** para confirmar.
 - Quando o WIFI estiver ligado, isso aparecerá no ecrã do menu principal e o sinal de WIFI aparecerá em branco no canto superior esquerdo.
- **Rede Wireless (WPS PBC)**
 - Selecione esta opção para procurar uma ligação WIFI. Enquanto isto estiver selecionado, terá 120 segundos para clicar no botão WPS no seu modem WIFI. Isto ligará o WIFI ao seu rádio sem ter de escrever a senha manualmente.
- **Configuração manual**
 - Pode configurar manualmente os dados do wireless: DHCP, introduzir SSID e gerir.
- **Verificar a rede quando ligado**
 - Definir para ativado ou desativado.

Data e hora

- **Definir data e hora**
- **Definição manual ou deteção automática** Existe a opção de definir a hora e data manualmente, em vez de usar a auto deteção para tal. Gire o **manipulo de seleção** ou carregue nos botões de dígitos para introduzir o número do mês. Assim que tiver o dígito correto, clique no botão da **DIREITA** para definir o dia. Continue este processo com o ano, a hora e os minutos. Assim que a definição manual estiver completa, carregue no botão **OK** para introduzir. Para cancelar o formato da data e hora, pode alterar estas definições na função "Data e hora".
- **Definir o formato da hora:** Para definir o formato da hora, 12 horas ou 24 horas.
- **Definir formato da hora:** AAAA/MM/DD, DD/MM/AAAA, MM/DD/AAAA

Alarmes

• Definir Alarme 1/ Alarme 2

- Para definir o alarme no rádio, vá às definições das “Configurações” e deslize para selecionar “Alarme” ou clique diretamente no botão **ALARM** do telecomando.
- Depois de entrar no ecrã das definições do alarme, seleccione “Alarme 1 (Desligar)” ou “Alarme 2 (Desligar)” e seleccione “Ligar” para ativá-lo.
- Seleccione “Repetir” para seleccionar a regularidade do alarme carregando no botão **OK**. Pode escolher entre Diário, Único ou seleccionar dias individuais para o alarme tocar. Assim que tiver feito a sua selecção, carregue no botão da **ESQUERDA** para regressar às outras definições de alarme.
- Seleccione “Hora” e gire o **manípulo de selecção** para salientar a hora do alarme. Assim que chegar à hora desejada, carregue no botão da **DIREITA** para alterar os minutos.
- Assim que os minutos tiverem o valor correcto, carregue no botão da **DIREITA** para mudar entre “AM” ou “PM”, depois carregue no botão **OK** para confirmar e regressar às definições do alarme.
- Agora deslize para baixo e seleccione “Som” carregando no botão **OK**. Pode escolher entre um apito, melodia, rádio pela Internet, FM ou DAB/DAB+.
- Se estiver a definir o som do alarme como rádio pela Internet, FM ou DAB/DAB+, será encaminhado para as suas estações predefinidas favoritas. Seleccione a estação do alarme carregando no botão **OK**.
- O símbolo do alarme será apresentado no ecrã do mostrador.

• Como cancelar o alarme

- Para cancelar o alarme, seleccione “Alarme” nas definições de configuração ou com o botão **ALARM** e seleccione o alarme que deseja desligar.
- Assim que o alarme for seleccionado, terá a opção de o desligar ou ligar. Saliente a opção “Desligar” e carregue no botão **OK** para confirmar.

NOTA: *Altere o volume do alarme entrando nas definições “Volume do Alarme” no ecrã de definições do alarme.*

- **Como desligar o alarme quando estiver a tocar** Quando o alarme estiver a tocar, carregue no botão **ALARME** ou **STANDBY** no telecomando para parar o alarme. Se definiu um alarme para todos os dias ou mais de uma vez, o ícone do alarme continuará a ser apresentado no ecrã.
- **Como ADIAR o alarme** Quando o alarme estiver a tocar, carregue em qualquer botão, exceto o **STANDBY** ou **ALARME** para parar o som e coloque em modo de **ADIAR**. A função de **ADIAR** fará o rádio soar novamente ao fim de 5 minutos.

NOTA: *Pare de ADIAR o alarme carregando no botão **ALARME** ou **STANDBY**.*

• Alarme de sesta

- Depois de seleccionar a opção “Alarm” nas definições de configuração, ou o botão **ALARM** no telecomando para seleccionar o “Alarme de sesta (Desligar)”.
- Seleccione quantos minutos gostaria de ter no alarme de sesta com a opção de: Desligar, 5 Minutos, 10 Minutos, 20 Minutos, 30 Minutos, 60 Minutos, 90 Minutos, 120 Minutos.

• Volume do alarme

- Altere o volume do alarme girando **manípulo de volume** ou os botões **ESQUERDA** / **DIREITA**.
- Quando tiver sido seleccionado o volume correcto do som, carregue no botão **OK** para confirmar.

Temporizador

- Nas definições “Configuração”, seleccione a opção “Temporizador” e aparecerá um ecrã com a indicação 00:00.
- Para aumentar os segundos, clique no botão da **DIREITA**. Para diminuir os segundos, clique no botão da **ESQUERDA**. Carregue e mantenha os botões **ESQUERDA**/**DIREITA** para avançar rapidamente através do temporizador.
- Assim que tiver escolhido a quantidade de tempo correcta, confirme-a carregando no botão **OK**.

Língua

Selecione a língua desejada da lista.

Controlo do brilho

- Para seleccionar o controlo do brilho do rádio, vá às definições de “Configuração” e seleccione “Controlo do brilho”. Pode escolher o modo “Poupança de energia” ou “Ligar”.
- Seleccione o modo “Poupança de energia” para alterar um dos níveis de brilho escolhendo dentre 20 níveis. Quando não houver atividade do rádio durante 15 segundos, será definido o nível mais baixo de brilho até se carregar num botão e a definição “Ligado” for ativada.
- Seleccione o modo “Ligado” como o brilho para quando o rádio estiver ativo e em uso.
- Em alternativa, pode alterar duas definições de brilho carregando no botão **DIMMER** do telecomando ou diretamente no painel dianteiro.

Mostrador

Escolha o mostrador para ser com **Cor** ou **Monocromático**.

Gestão de energia

Selecione isto para configurar o rádio para entrar automaticamente no modo Standby (espera) após um tempo de inatividade ou se não houver sinal de WIFI. Pode seleccionar **5/15/30 minutos** para entrar no modo de Standby, ou pode seleccionar “Desligar” para ignorar esta função.

Temporizador para desligar

- Para definir um temporizador de dormir, vá às definições de “Configuração” e seleccione “Temporizador para desligar”. Pode seleccionar **Desligar, 15, 30, 60, 90, 120, 150, 180 minutos**.
- Em alternativa, pode carregar várias vezes no botão **SLEEP** do telecomando para alternar entre horas de desligar no canto superior direito do ecrã do mostrador. A opção é entre **15, 30, 60, 90, 120, 150, 180 minutos**.
- Assim que o temporizador para desligar tiver sido seleccionado, serão apresentados no canto superior direito do ecrã do mostrador o tempo do temporizador e uma imagem de dormir.

Buffer

Configure o tempo de buffer da reprodução de música: **2 / 4 / 8 segundos**.

Tempo

- **Definir localização:** Seleccione e introduza a sua localização.
- **Unidade de temperatura:** Seleccione a sua temperatura favorita, “Celsius” ou “Fahrenheit”.
- **Mostrar em Standby:** Seleccione “desligar” ou “ligar” para desativar ou ativar a apresentação da previsão do tempo no ecrã de standby. Quando ativar o mostrador da previsão do tempo, este aparecerá no ecrã de standby de 10 em 10 segundos.

Definições de FM

- **Modo:** Pode definir para o modo “Mono” ou “Stereo”.
- **Limite:** Seleccione as definições do limite (Limite de pesquisa/Limite de estéreo).
- (O limite é para definir a mudança automática entre os modos mono e stereo. Quando estiver num local com recepção fraca, o sistema mudará automaticamente para o modo mono para reduzir o ruído de fundo da estação, de modo a ouvir-se melhor.)

Definições de rádio local

Defina manualmente a sua localização para o rádio local, em vez de deixar o rádio detetar automaticamente.

Definições de reprodução

Selecione o modo de reprodução do centro multimédia: Desligar, Repetir todas, Repetir uma, Aleatório.

Dispositivo

O nome padrão da DLAN é “AirMusic”. Pode mudar o nome do dispositivo para definir a DLAN.

Chave

Neste interface de definições, pode seleccionar “Alarme”, “Controlo do brilho”, “Equalizador”, “Rádio Local”, “Modo”, “Predefinido”, “Temporizador para desligar” e “Temporizador” para confirmar a função do botão

de **MODO** do painel dianteiro e do telecomando.

Equalizador

O EQ padrão é normal. Pode alterá-lo para Constante, Jazz, Rock, Bandas Sonoras, Clássica, Pop, Notícias ou o meu EQ.

Retomar quando ligar

Ligue a função do rádio retomar quando ligado. O ecrã permanecerá no menu principal.

Atualização do Software

Aqui será apresentada informação quando houver uma atualização disponível para o rádio. Se houver uma disponível, selecione para se iniciar a atualização.

Repor no padrão

Selecione esta opção para repor o rádio e regressar a todas as definições e predefinições feitas. Confirme que gostaria de repor a unidade e todas as definições selecionando **"SIM"**.

Resolução de problemas

Este produto não contém nenhuma peça que possam ser consertadas pelo utilizador. Em caso de falha, contacte o produtor ou o agente de serviço autorizado. A exposição das peças internas do aparelho pode pôr a sua vida em risco. A garantia do produtor não inclui falhas provocadas por consertos levados a cabo por terceiros não autorizados.

Sem som

Causa

- O volume não está ligado.

Solução

- Ajuste o manípulo principal do volume.

Sem som da ligação de Bluetooth

Solução

- Verifique se o dispositivo externo exige a senha "0000" para começar.

O WiFi não se liga

Solução

- Certifique-se de que está selecionado o modo de WIFI nas definições e que a senha correta está a ser introduzida no modem WIFI.

Som estático

Causa

- Sinal de receção muito fraco.

Solução

- Ajuste a antena ou mova a unidade para um local com uma receção do sinal mais forte.

O som está distorcido

Causa

- O volume está alto demais

Solução

- Reduza o volume

Não se encontra a estação desejada

Causa

- Sinal fraco

Solução

- Use a função de sintonia manual

Sem funções DAB

Causa

- Sem cobertura DAB na sua área.
- Fraca receção

Solução

- Ajuste a posição da antena

O mostrador está vazio.

Causa

- Isto pode ocorrer se a emissora alterar a etiqueta de um serviço ou remover uma etiqueta enquanto estiver sintonizado.

Solução

- O rádio tentará voltar a sintonizar-se.
- Faça uma pesquisa.

Não há alimentação

Causa

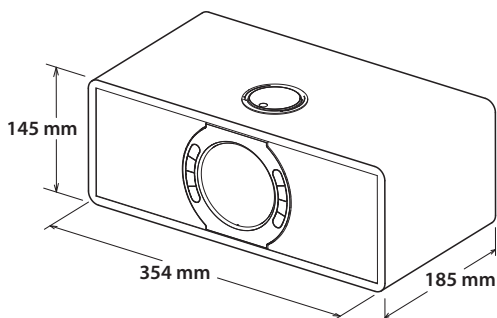
- O adaptador não está ligado à tomada da parede.

Solução

- Certifique-se de que o adaptador está ligado.

Especificação técnica

Model	DR-I470
Potência de saída	2x7W (RMS)
Consumo energético (máx.)	28W
Consumo energético (padrão)	8W
Consumo energético em Standby	<1W
Frequência FM	87.5-108MHz
Frequência DAB+	174.928-239.200MHz
Bluetooth	
Versão	V2.1+ EDR
Bandas de frequência	2402 MHz ~ 2480 MHz
Potência máxima transmitida	4dBm
Power Adapter	
Designação do modelo:	FJ-SW1202000N
Entrada:	AC 100-240V ~ 50/60Hz, 0.6A Max
Saída:	DC 12V = 2000mA
Fabricante:	SHENZHEN FU JIA APPLIANCE CO., LTD B1,Xujing chang Industrial Park, Haoye Road, Fuyong 518103 Shenzhen, China
WIFI	
Ligação WIFI:	802.11 b/g/n; STA/AP/AP Client



KG 3,16kg

Vigtige sikkerhedsanvisninger

Læs disse sikkerhedsanvisninger og respekter følgende advarsler, før apparatet betjenes:



Udråbstegnet inden i en ligesidet trekant skal advare brugeren om tilstedeværelsen af vigtige betjenings- og vedligeholdelses(service) instruktioner i brugervejledningen, som følger med apparatet.



Brug kun strømforsyningen, der er angivet i brugervejledningen.



Dette symbol betyder, at produktet skal bortskaffes på en miljøvenlig måde og ikke med almindeligt husholdningsaffald.



AC-spænding



DC-spænding



Klasse II-udstyr



Kun indendørs brug



Energieffektivitet med mærkning på niveau VI

⊖ ⊕ Jævnstrømsstikkets polaritet

For at forhindre brand skal stearinlys og andre flammer holdes væk fra dette produkt.



Advarsel:

- Følg altid de grundlæggende sikkerhedsforanstaltninger, når du bruger apparatet, især når der er børn til stede.
- Børn bør være under opsyn for at sikre, at de ikke leger med apparatet.
- Netledningen må ikke beskadiges, og der må heller ikke placeres tunge genstande på den. Den må heller ikke strækkes eller bøjes. Ligeledes må forlængerledninger ikke anvendes. Beskadigelse af strømkablet kan forårsage brand eller elektrisk stød.
- Hvis netledningen er beskadiget, skal den udskiftes af producenten, en serviceagent eller en tilsvarende kvalificeret fagmand for at undgå enhver risiko.
- Kontroller, at apparatet er tilsluttet en stikkontakt med 100-240V vekselstrøm og 50/60Hz. Højere spænding kan få apparatet til at svigte eller forårsage brand.
- Hvis stikket ikke passer til stikkontakten, må du ikke forsøge at tvinge stikket ind i en stikkontakt, der ikke passer.
- Sluk for apparatet, før du fjerner stikket fra stikkontakten for helt at slukke.
- Du må ikke trække stikket ud eller sætte det i med våde hænder. Det kan forårsage elektrisk stød.
- Tag netledningen ud af stikkontakten, hvis det ikke skal bruges i længere tid.
- Sørg for, at stikket altid er let tilgængeligt.
- Dette apparat indeholder ingen dele, der kan repareres af brugeren. I tilfælde af en fejl skal du kontakte producenten eller et autoriseret serviceværksted. Blotlægning af visse dele inden i apparatet kan bringe dit liv i fare. Producentens garanti omfatter ikke fejl forårsaget af reparationer, der er udført af uautoriserede tredjeparter.
- Tænd ikke for apparatet umiddelbart efter udpakning. Vent, indtil det varmes op til stuetemperatur, før brug.

- Sørg for, at apparatet kun bruges i tempererede klimaer (ikke i tropiske eller subtropiske klimaer).
- Placer apparatet på en plan, stabil overflade, som ikke udsættes for vibrationer.
- Sørg for, at apparatet eller dele af det ikke hænger ud over kanten på det møbel, det står på.
- For at reducere risikoen for brand, elektrisk stød eller skader på apparatet må det ikke udsættes for direkte sollys, støv, regn eller fugt. Det må aldrig udsættes for dryp eller stænk, og der må ikke placeres genstande fyldt med væske på eller i nærheden af apparatet.
- Placer ikke genstande indeholdende væske såsom vaser på apparatet.
- Installer ikke apparatet i nærheden af varmekilder som fx radiatorer, varmeapparater, ovne eller andre apparater (inkl. forstærkere), der afgiver varme.
- Anbring ikke produktet, hvor luftfugtigheden er høj og ventilationen ringe.
- Sørg for en minimumsafstand på 5 cm omkring produktet for at få tilstrækkelig ventilation. Produktets ventilationsåbninger må ikke blokeres. Sørg for, at ventilationsåbningerne ikke er dækket af genstande såsom aviser, duge, gardiner osv.
- Lad ALDRIG nogen, især ikke børn, skubbe noget ind i huller, sprækker eller andre åbninger i produktets kabinet, da det kan medføre livsfarlige, elektriske stød.
- Uvejrer er farligt for alle elektriske apparater. Hvis netledningen eller antennekabler rammes af lyn, kan apparatet beskadiges, selv om det er slukket. Tag alle apparatets kabler og forbindelser ud før et uvejr.

Vedligeholdelse

- Fjern netledningen fra stikkontakten før apparatet rengøres.
- Brug en blød og ren klud til rengøring af apparatets yderside. Brug aldrig kemikalier eller rengøringsmidler.

Strømadapter

- For at afbryde enheden fra strømforsyningen skal du tage stikket ud af stikkontakten.
- Brug kun den medfølgende netadapter, da undladelse heraf kan medføre en sikkerhedsrisiko og/eller beskadigelse af enheden.

Batterier

- Overhold den korrekte polaritet ved isætning af batterier.
- Batterier må ikke udsættes for høje temperaturer, og undlad at placere dem på steder, hvor temperaturen kan stige hurtigt, f. eks. i nærheden af åben ild eller direkte sollys.
- Udsæt ikke batterierne for kraftig strålevarme, kast dem ikke ind i ilden, smid dem ikke ind i ilden, prøv ikke at skille dem ad, og forsøg ikke at genoplade ikke-genopladelige batterier. De kan lække eller eksplodere.
- Brug aldrig forskellige batterier sammen eller bland nye og gamle.
- Hvis fjernbetjeningen ikke skal bruges i længere tid (mere end en måned), skal batteriet tages ud af fjernbetjeningen for at forhindre lækage.
- Hvis batterierne lækker, skal du aftrødre lækagen i batterirommet og udskifte genopladelige batterier. De kan lække eller eksplodere.
- Brug ikke andre batterier end de specificerede.



Kom ikke et batteri i munden, det kan give kemiske forbrændinger

- Hvis et batteri sluges, kan det medføre alvorlige, indre forbrændinger på bare to timer og yderligere føre til døden. Hold nye og brugte batterier væk fra børn. Hvis batterirommet ikke kan lukkes forsvarligt, skal du opføre med at bruge produktet og holde det væk fra børn. Hvis du har mistanke om, at et batteri er blevet slugt eller anbragt i en anden kropåbning, skal du straks søge lægehjælp.

Bortskaffelse af produktet og batterierne

- Bortskaf ikke dette produkt som usorteret husholdningsaffald. Aflever det til et udpeget indsamlingssted for genbrug af elektrisk og elektronisk affald i overensstemmelse



med lokale krav. De vil dermed bidrage til at spare på ressourcerne og beskytte miljøet.

- De fleste EU-lande regulerer bortskaffelse af batterier ved lov. Kontakt din forhandler eller lokale myndigheder for at få yderligere oplysninger.



- Det ovenfor viste ses på elektrisk og elektronisk udstyr (eller på emballagen) for at minde brugere om dette.
- Brugere opfordres til at benytte eksisterende faciliteter ved tilbagelevering af brugt udstyr og batterier.

CE-erklæring:

- Universal Media Corporation s. r.o. erklærer herved, at dette lydudstyr er i overensstemmelse med de væsentlige krav og andre relevante bestemmelser i RED-direktiv 2014/53/EC. Den fulde ordlyd af EU-overensstemmelseserklæringen er tilgængelig ved at følge linket <http://www.sharpconsumer.eu/documents-of-confirmity>

Varemærker:



The *Bluetooth*[®] mærket og -logoerne er registrerede varemærker tilhørende Bluetooth SIG, Inc.



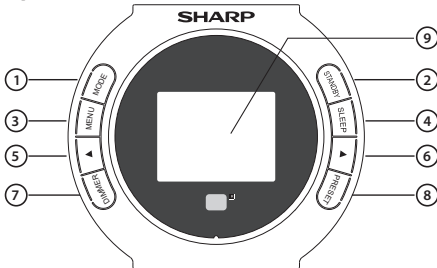
Wi-Fi CERTIFIED-logoet er et certificeringsmærke tilhørende Wi-Fi Alliance.

Hvad er inkluderet i kassen:

- 1x Hovedenhed
- 1x Fjernbetjening
- 1x Strømadapter
- 1x Brugervejledning
- 1x DK AC-stikprop til strømforsyning
- 1x EU AC-stikprop til strømforsyning

Paneler og kontroller

Frontpanel

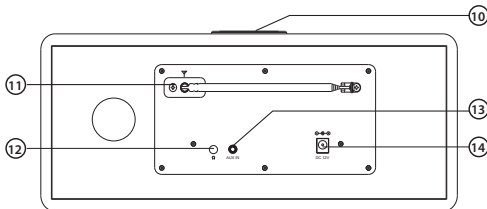


- 1. TILSTAND** – Tryk for at ændre tilstand: DAB/DAB+, FM, Internet Radio, Bluetooth, AUX-ind. Den kan også indstilles med den anden funktion ved at indstille fra <Nøgle> menuen i **KONFIGURATION**: Alarm, Dæmper, Equalizer, Lokalradio, Tilstand, Forudindstil, Dvale-timer, Timer.

BEMÆRK: Standardfunktionen for denne knap er skift af tilstand.

- 2. STANDBY** – Tryk på denne knap for at tænde for enheden eller gå i standby-tilstand.
- 3. MENU** – Tryk på denne knap for at komme ind i MENU indstillingsgrænsefladen.
- 4. DVALE** – Tryk gentagne gange for at indstille den ønskede dvaletid.
- 5. ◀** – Under indstilling af skærmen kan du trykke for at gå til det forrige valg. Når du lytter til radioen, vil et kort tryk mindske frekvensen i intervaller på 0,05 MHz.
- ▶** – Under indstilling af skærmen kan du trykke for at gå til næste valg. Når du lytter til radioen, vil et kort tryk øge frekvensen i intervaller på 0,05 MHz.
- 7. DÆMPER** – Tryk for at indstille lysstyrken på baggrundsbelysningen.
- 8. FORUDINDSTIL** – Når du lytter til internet-radioen, vil et tryk på denne knap skifte til radiostation/musikskærm.
- 9. SKÆRM** – Viser oplysninger.

Bagpanel

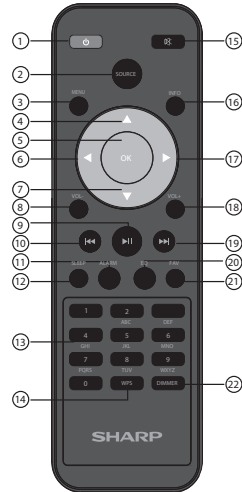


- 10. Lydstyrkeknap/Valgknap/OK-knap** – Under afspilning kan du dreje knappen for at justere lydstyrken. Når menuen indstilles, kan du dreje

knappen for at vælge mellem mulighederne. Tryk knappen ned for at bekræfte dit valg.

- 11. FM-antenne** – Til modtagelse af FM-signalet.
- 12. Øretelefonstik** – 3,5 mm øretelefonstik
- 13. AUX IN-stik** – Isæt 3,5 mm lyd kabel for at lytte til musik.
- 14. Jævnstrømsindgang** – DC 12V

Fjernbetjening



- 1. STANDBY** – Tryk på **STANDBY** knappen på fjernbetjeningen for at tænde for enheden eller skifte til standby-tilstand.
- 2. SOURCE** – Tryk på **SOURCE**-knapen for at ændre afspilningstilstandene: DAB / DAB +, FM, AUX IN, Bluetooth, Internetradio. Bemærk: Denne knap kan bruges som en anden funktion ved at indstille fra <Knap> elementet i **KONFIGURATION**: Vækning, Dæmpe, Equaliser, Lokalradio, Status, Forudindstil, Dvaletidindstilling, Timer.
- 3. MENU** – Tryk på **MENU** knappen på fjernbetjeningen eller på frontpanelet for at åbne menuen Afspil. Tryk på **RETNING** knapperne eller drej på **Valg**-knapen for at gennemse menuen: Internetradio, Mediecenter, FM, DAB/DAB+, Informationscenter, AUX, Bluetooth, Konfiguration, Lokalradio.
- 4. UP / 5. OK / 6. VENSTRE / 7. NED / 17. HØJRE** – Rul **OP** og **NED** knappen eller drej **Valg**-knapen for at gennemse valgmulighederne. Tryk derefter på **OK**-knapen for at bekræfte valget.
- 8. VOL- / 18. VOL+** – For at justere lydstyrken kan du trykke på **VOL+** and **VOL-** knapperne eller dreje på **Lydstyrkeknapen** direkte.
- 10. FORRIGE / 19. NÆSTE** – Tryk, når du spiller musik, på **FORRIGE** eller **NÆSTE** knappen for at springe til det forrige eller næste nummer. Tryk, når du lytter til radioen, på **FORRIGE** eller **NÆSTE** knappen for at springe til forrige eller næste station.
- 9. AFSPIL/PAUSE** – Tryk på **AFSPIL/PAUSE** knappen for at sætte afspilning på pause. Tryk en gang mere for at genoptage afspilningen.
- 11. ALARM** – Tryk på **ALARM** knappen for at se eller oprette alarmindstillinger.
- 12. DVALE** – Tryk på **SLUMR** knappen gentagne gange for at vælge din ønskede dvaletid.
- 13. TAL/BOGSTAV** – Når du indstiller menuen skal du trykke på tal eller bogstaver.

14. **WPS** – WPS Indstillinger

15. **MUTE** – Tryk på **MUTE** knappen for at slukke for lyden. Tryk igen eller tryk på **VOL+/-** knapperne på fjernbetjeningen eller drej Lydstyrkeknappen på toppanellet for at tænde for lyden igen.

16. **INFO** – Tryk på **INFO** knappen for at tjekke stationsoplysningerne.

20. **EQ** – Tryk på **EQ** knappen gentagne gange for at vælge mellem forskellige lydvarianter: Normal, Fladt, Jazz, Rock, Lydspor, Klassisk, Pop, Nyheder, Min EQ.

21. **FAV** – Et langt tryk på **FAV** knappen for at gemme stationen. Et kort tryk på **FAV** knappen for at se de favoritstationer, der er blevet gemt..

22. **DÆMPER** – Tryk på **DÆMPER** knappen for at vælge skjærmens baggrundsbelysning

ISÆTTELSE ELLER UDSKIFTNING AF BATTERIERNE I FJERNBETJENINGEN

1. Tryk låsen på batteridækslet i pilens retning på bagsiden af fjernbetjeningen.
2. Åbn dækslet mens du trykker på låsen.
3. Isæt to batterier, så de vender rigtigt, + som vist. Ved udskiftning af batterierne skal du bruge batterier af samme type som de medleverede.
4. Sæt batteridækslet på plads igen.

Sådan starter du din Internetradio

Sæt strømforsyningen til stikket DC IN-stikket. Derefter ses “**Velkommen**” på skærmen.

Sørg for, at antennen er trukket helt ud. Sådan får du det stærkeste signal. Hvis det er første gang, du bruger radioen, vil du efter Velkommen-skærmen kunne vælge sprog ved at rulle med **Valg-knappen** og bekræfte dit valg ved at trykke **OK** knappen ned.

Efter valg af sprog vil skærmen vise “**Aktivér Tjek netværket ved opstart?**”. Du kan vælge mellem “**JA**” eller “**NEJ**” for at afgøre, om enheden skal tjekke netværket ved opstart eller ej.

Manuel WIFI-opsætning

Skærmen vil efter indstillingen vise “**Ønsker du at konfigurere netværket nu?**”.

- Hvis du vælger “**JA**”, vil radioen begynde at lede efter nærliggende netværk, som du kan tilkoble. Efter scanningen skal du vælge det netværk, du ønsker at tilkoble. Væg nu bogstaver/tal ved at rulle med **Valg-knappen** eller ved at trykke på **TAL/BOGSTAV knapperne**, indtil det rigtige tal ses, og klik nu på **HØJRE** knappen for at gå videre til næste tegn. Når du er færdig, skal du trykke på **OK** knappen for at bekræfte.
- Hvis du vælger “**NEJ**”, kan du indstille det senere i konfigurationsindstillinger.

Trådløst netværk (WPS PBC)

Når du ser “**Ønsker du at konfigurere netværket nu?**”, så vil, hvis du vælger “**JA(WPS)**” radioen begynde at søge efter WiFi-forbindelser.

Når dette er valgt, har du 120 sekunder til at klikke på **WPS** knappen på dit WiFi-modem. Herved forbindes din WiFi med din radio uden manuelt at indtaste din adgangskode.

WiFi-forbindelse oprettet!

Når din WiFi-forbindelse er oprettet ved manuelt at have indtastet din adgangskode via WPS, ledes du til hovedmenuen, og WiFi-signalet ses som hvidt øverst til venstre. Din internet-radio er nu opsat.

Internetradio

Brug **VENSTRE/HØJRE** knapperne, eller drej **Valg-knappen** for at vælge **<Internetradio>**. I menu-skærmen skal du trykke på **OK** knappen for at åbne, hvor du nu ser flere valgmuligheder:

Min favorit: Dine favoritstationer gemmes her, for enkelt at kunne finde dem igen. Du kan trykke på **FAV** knappen direkte for at se listen over dine favoritstationer.

Radiostation/musik: Vælg denne indstilling for at gennemse internetstationerne i følgende kategorier: Global Top 20, Genre, Land/Sted, Fremhæv. Find stationer under de relevante kategorier og vælg din ønskede internetstation ved at trykke på **OK** knappen.

Lokalradio: Radioen indstilles automatisk til at registrere dit lands Top 10 stationer, Alle stationer, plus en række genrer i kategorier i alfabetisk orden. Vælg den kategori, du ønsker at lytte til med den **OK** knappen, og fortsæt gennemsynet, indtil du finder din ønskede station.

Dvaleradio: Vælg blandt mange afslappende lyde.

Historik: Gennemse stationer, du nyligt har lyttet til.

Service: Søg radiostation eller tilføj en ny.

- Du kan bruge **TAL/BOGSTAV** knapperne til at søge efter radiostationen.
- Hvis du vil tilføje en ny radiostation, skal du bruge **TAL/BOGSTAV** knapperne for at fremhæve det valgte tegn og klikke på **HØJRE** knappen for at gå videre til næste tegn. Hvis du vil gå tilbage til det forrige tegn, skal du trykke på **VENSTRE** knappen for at fremhæve det. Tryk på **OK** knappen for at søge efter internetstationen.

Gem dine favorit-internetstationer

Når du har fundet den ønskede station, skal du trykke på **FAVOR** knappen og holde den nede for at gå til

“**Føj til mine favoritter**” indstillingsskærmen. Drej **Valg-knappen** eller tryk på **OP/NED** knapperne for at vælge det forudindstillede nummer, og tryk på **OK** knappen for at bekræfte valget.

FM-radio

FM-frekvensområdet strækker sig fra 87,5 MHz til 108,00 MHz. Træk antennen helt ud for at fange det kraftigste signal for hver station.

Brug **VENSTRE/HØJRE** knapperne, eller drej **Valg-knappen** for at vælge **<FM >** på menu-skærmen. Tryk derefter på **OK** knappen for at åbne FM-skærmen.

Indstilling af station

Tryk på **OP/NED** knapperne på fjernbetjeningen eller på frontpanelet for at justere frekvensen et trin op eller ned på **0,05** MHz.

Tryk på **VENSTRE/HØJRE** knapperne på fjernbetjeningen for at springe til den forrige eller næste station med den kraftigste modtagelse. Når en station er fundet, stopper søgningen automatisk.

Tryk på **OK** knappen. “**Auto-scan**” vises nu på skærmen. Hvis du vælger “**JA**”, vil radioen begynde at søge efter stationer fra lav til høj frekvens. Radioen vil automatisk gemme de fundne stationer.

Sådan gemmes en station

For at gemme din favoritstation bør du først lytte til denne station. Tryk derefter på **FAV** knappen på fjernbetjeningen. Anvend nu **OP/NED** knapperne, eller drej på **Valg-knappen** for at vælge tallet, du ønsker at gemme. Tryk nu på **OK** knappen for at bekræfte forudindstillingen.

Sådan henter du en forudindstillet station igen

1. Tryk på **FORRIGE/NÆSTE** knapperne på fjernbetjeningen for at springe til den forrige eller næste station.
2. Du kan også trykke på **FAV** knappen for at vælge den gemte station. Tryk herefter på **OK** knappen for at lytte.

DAB/DAB+

Brug **VENSTRE/HØJRE** knapperne eller drej på **Valg-knappen** for at vælge **<DAB/DAB+>** på menu-skærmen. Tryk nu på **OK** knappen for at gå i DAB/DAB+ tilstand.

Hvis det er første gang, du bruger DAB-radioen, vil den begynde at scanne efter DAB-stationer, og ”Scanner” vil ses på skærmen. Antal hidtil fundne stationer vises, og scanningen fortsætter.

Når alle tilgængelige stationer er fundet, vil radioens skærm vise udvalgte af tilgængelige stationer. Ved brug af **Valg-knappen** kan du gennemse stationerne og fremhæve den valgte station. Vælg stationen ved at trykke på **OK** knappen.

Når du har valgt en station, ses stationen på skærmen, og afspilningen begynder.

Hvis du vil skifte til den forrige eller næste station, skal du trykke på **FORRIGE** eller **NÆSTE** knappen for at gennemse stationer i retningen.

Når du kommer til den ønskede station, skal du trykke på **INFO** knappen for at vise stationsoplysningerne. Skærmen vil automatisk bladre gennem genre, MHz, nummer, der afspilles, KHz og Kbps.

For at gå tilbage til listen og bladre den igennem manuelt, skal du trykke på **VENSTRE** knappen.

Forudindstilling af dine favorit-DAB/DAB+ stationer

Når du har fundet den ønskede station, skal du holde **FAV** knappen nede et par sekunder for at gå til ”Føj til mine favoritter” skærmen. Drej **Valg-knappen** for at vælge det forudindstillede nummer, og tryk på **OK** knappen for at bekræfte.

Alternativt kan du, når du er på listen over DAB-stationer fremhæve den valgte station og holde **FAV** knappen nede for at følge ovenstående vejledning.

For at se dine forudindstillede favoritstationer skal du trykke på **FAV** knappen og bruge **OP** eller **NED** knappen for at gennemse listen med forudindstillede stationer.

Informationscenter

Brug **VENSTRE/HØJRE** knapperne eller drej **Valg-knappen** for at vælge **<Informationscenter>** på menuskærmen, og tryk derefter på **OK** knappen for at åbne Informationscenter-skærmen.

Oplysninger om vejret: For at vælge oplysninger om vejret på et bestemt sted skal du først vælge kontinentet vha. **Valg-knappen** til at gennemse valgmulighederne og **OK** knappen for at bekræfte. Derefter skal du vælge land efterfulgt af by.

Når du har valgt byen, vises følgende oplysninger: aktuel temperatur, vejrsymbolbillede og ca. temperaturområde for de næste 5 dage.

Finansielle oplysninger: Vælg mellem en række aktieindekser fra hele verden. Brug

Valg-knappen til at gennemse listen og **OK** knappen for at bekræfte.

Systemoplysninger: Se oplysninger om systemversion og trådløse forbindelser. Hvis du vælger trådløse forbindelser, kan du få kendskab til WIFI-signalstyrker.

Sådan anvendes AUX

AUX-ind

Brug **VENSTRE/HØJRE** knapperne, eller drej **Valg-knappen** for at vælge **<AUX>** på menuskærmen. Tryk på **OK** knappen for at aktivere AUX-tilstand.

Sæt et AUX-kabel i radioen, og forbind kablet til AUX-ind-stikket på radioens bagside. Begynd afspilning af lyd fra din enhed, så kan det høres i radioen, når den er i AUX-tilstand.

Line-ud (Hovedtelefon)

På radioens bagside findes et **stik til en hovedtelefon**, som giver mulighed for at lytte til lyd fra radioen. Begynd afspilning af lyd fra internetradio-, mediecenter-, AUX- eller Bluetooth-indstilling.

Bluetooth

Brug **VENSTRE/HØJRE** knapperne, eller drej **Valg-knappen** til valg af **<Bluetooth>** på menuskærmen. Tryk herefter på **OK** knappen for at skifte til Bluetooth-tilstand.

1. Gå til enhedsindstillinger for at forbinde din enhed med radioen via Bluetooth.
2. Vælg navnet ”SHARP DR-I470” i enhedens liste over fundne enheder. Når forbindelsen er oprettet, vil ”Forbundet” lyde fra radioen, og ”Bluetooth forbundet” ses i displayet.
3. Vælg din foretrukne lydkilde på enheden og afspil.
4. Nu kan du nyde musikken fra din enhed.
5. For at frakoble de to kan du skifte til en anden afspilningstilstand eller slukke for Bluetooth-funktionen på din enhed.

Konfiguration

Brug **VENSTRE/HØJRE** knapperne, eller drej **Valg-knappen** for at vælge **<Konfiguration>** på hovedmenuen, og tryk på **OK** knappen for at åbne konfigurationsindstillinger.

Tidsvisning

Indstil typen af tidsvisning: Analog eller digital.

Styr mit medie U

Indstil funktionen til at aktivere eller deaktivere.

Netværk

- **Konfiguration af trådløst netværk**
 - I Netværksindstillinger kan du indstille en WIFI-forbindelse ved at vælge Konfiguration af trådløst netværk. Radioen vil nu begynde at søge efter tilgængelige WIFI-forbindelser.
 - Find din WIFI-forbindelse, og vælg den med **OK** knappen. For at angive bogstaver/tal kan du anvende **Valg-knappen** eller trykke på **BOGSTV/TAL** knapperne, indtil det rigtige tegn fremkommer. Tryk nu på **HØJRE** knappen for at gå videre til næste tegn. Tryk på **VENSTRE** knappen, hvis du vil gå tilbage til det forrige tegn. Når du er færdig, skal du trykke på **OK** knappen for at bekræfte.
 - Når din WIFI er tilsuttet, vises hovedmenuskærmen, og WIFI-signalet vil ses i hvidt i øverste, venstre hjørne.
- **Trådløst netværk (WPS PBC)**
 - Vælg denne indstilling for at søge efter WIFI-forbindelsen. Mens denne er valgt, har du 120 sekunder til at klikke på **WPS**-knappen på dit WIFI-modem. Sådan forbindes din WIFI med din radio uden manuelt at indtaste din adgangskode.
- **Manuel konfiguration**
 - Du kan manuelt indstille trådløse data: DHCP, angiv SSID og håndter.
- **Tjek netværk ved opstart**
 - Indstil det til aktivere eller deaktivere.

Dato og tid

- **Sæt dato og tid**
 - **Manuel opsætning eller Find-automatisk**

Det er muligt manuelt at indstille dato og tid, i stedet for at anvende Find-automatisk til opsætningen. Drej **Valg-knappen** eller tryk på tal-knapperne for at angive de ønskede cifre i måneden. Når du har angivet de korrekte cifre, skal du klikke på **HØJRE** knappen for at gå videre til opsætning af dagen. Fortsæt på denne måde med året, timen og minutterne. Når den manuelle opsætning er færdig, så tryk på **OK** knappen for at aktivere. Hvis du vil annullere formatet for dato og tid, kan du ændre disse indstillinger i ”Dato og tid” funktionen.
 - **Indstil tidsformat:** Sådan indstilles tidsformatet: 12 timer eller 24 timer.
 - **Indstil datoformat:** ÅÅÅÅ/MM/DD, DD/MM/ÅÅÅÅ, MM/DD/ÅÅÅÅ

Alarm

• Indstilling af Alarm 1 / Alarm 2

- For at indstille en alarm i din radio skal du gå til **"Konfiguration"** indstillinger og gennemse listen for at vælge **"Alarm"** eller direkte klikke på **ALARM** knappen på fjernbetjeningen.
- Når Indstilling af alarm-skærmen ses, skal du vælge **"Alarm 1 (Sluk)"** eller **"Alarm 2 (Sluk)"** og derefter vælge **"Tænd"** for at aktivere alarmen.
- Vælg **"Gentag"** for at vælge regelmæssigheden for alarmen ved at trykke på **OK** knappen. Du kan vælge mellem Hver dag, En gang eller enkelte dage, hvor alarmen skal høres. Når du har truffet dit valg, skal du trykke på **VENSTRE** knappen for at gå tilbage til de andre alarmindstillinger.
- Vælg **"Tid"** og drej **Valg-knappen** for at fremhæve alarmens timetal. Når du har fundet det rette timetal, skal du trykke på **HØJRE** knappen for at ændre minuttallet.
- Når minuttallet er korrekt, skal du trykke på **HØJRE** knappen for at ændre **"AM"** eller **"PM"**. Tryk nu på **OK** knappen for at bekræfte og gå tilbage til alarmindstillinger.
- Rul nu ned for at vælge **"Lyd"** ved at trykke på **OK** knappen. Du kan nu vælge mellem Bip, en melodi, internetradio, FM eller DAB/DAB+.
- Hvis du indstiller din alarmlyd som internetradio, FM eller DAB/DAB+, bliver du nu ført igennem dine forudindstillede favoritstationer. Vælg den ønskede alarmstation ved at trykke på **OK** knappen.
- Alarmsymbolet vil nu ses på hovedskærm-billedet.
- **Sådan annullerer du alarmen**
 - For at annullere alarmen skal du vælge **"Alarm"** i Konfigurationsindstillinger, eller med **ALARM** knappen og vælge den alarm, du gerne vil slukke.
 - Når du har valgt alarmen, har du nu mulighed for at aktivere eller deaktivere den. Fremhæv **"Sluk"** muligheden, og tryk på **OK** knappen for at bekræfte.

BEMÆRK: Ændr alarmens lydstyrke ved at gå til "

Alarmlydstyrke" indstilling i Alarmindstillingsskærmen.

• Sådan slukkes alarmen, når den lyder

Når alarmen lyder, skal du trykke på **ALARM** eller **STANDBY** knappen på fjernbetjeningen for at slukke for alarmen. Hvis du har indstillet alarmen til at lyde hver dag eller flere gange, vil alarm-ikonet stadig ses på skærmen.

• Sådan sættes alarmen til SLUMRE

Når din alarm lyder, så tryk på en tilfældig knap, dog ikke **STANDBY** eller **ALARM** for at standse lyden og gå i **SLUMRE** tilstand. SLUMRE-funktionen lader radioen lyde igen efter 5 minutter.

BEMÆRK: Stop **SLUMRE** alarmen ved at trykke på **ALARM** eller **STANDBY** knappen.

• Alarm for en lur

- Efter valg af **"Alarm"** i Konfigurationsindstillinger, eller **ALARM** knappen på fjernbetjeningen for at vælge **"LUR-alarm(Sluk)"**.
- Vælg hvor mange minutter, du ønsker at Lur-alarmen skal være aktiv: Sluk, 5 minutter, 10 minutter, 20 minutter, 30 minutter, 60 minutter, 90 minutter, 120 minutter.

• Alarmlydstyrke

- Ændr alarmens lydstyrke ved at dreje på **Lydstyrkeknapen** eller **VENSTRE /HØJRE** knapperne for at ændre.
- Når den korrekte lydstyrke er valgt, skal du trykke på **OK** knappen for at bekræfte.

Timer

- I **"Konfiguration"** indstillinger kan du vælge **"Timer"**, hvorefter et skærm-billede med 00:00 ses.
- For at øge antal sekunder skal du trykke på **HØJRE** knappen. For at mindske antal sekunder skal du trykke på **VENSTRE** knappen. Tryk og hold **VENSTRE/HØJRE** knapperne nede for at lade timeren løbe hurtigt.
- Når du har valgt det korrekte antal sekunder, skal du bekræfte dette ved at trykke på **OK** knappen.

Sprog

Vælg ønsket sprog på listen.

Dæmper

- For at indstille lysstyrken i din radio skal du gå til **"Konfiguration"** indstillinger, og vælg **"Dæmper"**. Du kan vælge **"Strømbespærelse"** eller **"Tænd"** tilstand.
- Vælg **"Strømbespærelse"** tilstand for at ændre lysstyrkeniveauet med mulighed for at vælge op til 20 niveauer. Hvis der ikke er aktivitet i radioen i 15 sekunder, vil dette lavere lysstyrkeniveau træde i kraft, indtil der bliver trykket på en knap, hvorefter **"Tænd"** indstillingen aktiveres.
- Vælg **"Tænd"** tilstand til at være lysstyrken, når radioen er aktiv og i brug.
- Ellers kan du skifte to lysstyrkeindstillinger ved at trykke på **DÆMPER** knappen på fjernbetjeningen eller direkte på frontpanelet.

Skærm

Vælg om skærmen skal være i **Farver** eller **Sort/hvid**.

Strømstyring

Vælg dette for at konfigurere radioen til at gå i Standby-tilstand automatisk efter et tidsrum af inaktivitet, eller hvis der ikke er noget WIFI-signal. Du kan vælge **5/15/30 minutter** før radioen går i Standby-tilstand, eller du kan vælge **"Sluk"** for at se bort fra denne funktion.

Dvale-timer

- For at sætte dvale-timeren skal du gå til **"Konfiguration"** indstillinger og vælge **"Dvale-Timer"**. Du kan vælge **Sluk, 15, 30, 60, 90, 120, 150, 180** minutter.
- Ellers kan du gentagne gange trykke på **DVALE** knappen på fjernbetjeningen for at skifte mellem dvaletider øverst til højre på skærmen. Der kan vælges mellem **15, 30, 60, 90, 120, 150, 180 minutter**.
- Når dvale-timeren er valgt, vil tidsrummet og et dvalebillede ses øverst til højre på skærmen.

Buffer

Konfigurer buffertiden for musikafspilning: **2 /4 /8 sekunder**.

Vejr

- **Angiv position:** Vælg og angiv din position.
- **Temperaturrethed:** Vælg ønsket temperaturrethed "Celsius" eller "Fahrenheit".
- **Vis ved Standby:** Vælg "Fra" eller "Til" for at deaktivere eller aktivere visning af vejrudsigten på standby-skærmen. Når du aktiverer visning af vejrudsigten, vises den på standby-skærmen hvert tiende sekund.

FM-opsettning

- **Tilstand:** Du kan opsætte "Mono" eller "Stereo" tilstand.
- **Tærskel:** Vælg tærskelindstillinger (søg efter tærskel/stereo-tærskel).
- (Tærsklen er indstillet til auto-skift mellem mono og stereo-tilstand. Når et svagt signal modtages, skifter systemet automatisk til mono-tilstand for at mindske baggrundsstøj fra stationen, således at det bliver tydeligere at lytte.)

Opsætning af lokalradio

Indstil manuelt din placering ifm. lokalradio. Dette er bedre end at lade radioen selv finde placeringen.

Opsætning af afspilning

Vælg medicentrets afspilningstilstand: Slukket, gentag alt, gentag en enkelt, vælg vilkårligt.

Enhed

Standardnavnet for DLAN er "AirMusic". Du kan give enheden et andet navn til DLAN-opsettning.

Nøgle

I indstillingsgrænsefladen kan du vælge **"Alarm"**, **"Dæmper"**, **"Equalizer"**, **"Lokalradio"**, **"Tilstand"**, **"Forudindstil"**, **"Dvale-timer"** og **"Timer"** for at bekræfte funktionen af **TILSTAND** knappen på frontpanelet og fjernbetjeningen.

Equalizer

Standard-EQ er normal. Du kan ændre denne til Fladt, Jazz, Rock, Lydspor, Klassisk, Pop, Nyheder eller min-EQ.

Genoptag ved opstart

Aktivér funktionen for at få radioen til at genoptage starte, hvor den sluttede. I modsat fald vil skærmen forblive i hovedmenuen.

Softwareopdatering

Det vil kunne ses her, hvis der er en tilgængelig opdatering til radioen. Hvis dette er tilfældet, så vælg at lade opdateringen gå i gang.

Gendan std. indstillingerne

Vælg denne mulighed for at nulstille radioen og gendanne alle de foretagne indstillinger og forudindstillinger. Bekræft, at du ønsker at nulstille enheden og dens indstillinger ved at vælge "JA".

Løsning

- Radioen vil forsøge at indstille igen.
- Udfør en søgning.

INGEN strøm

Årsag

- Stikket er ikke sat i stikkontakten.

Løsning

- Sørg for, at stikket er sat i.

Fejlfinding

Dette apparat indeholder ingen dele, der kan repareres af brugeren. I tilfælde af en fejl skal du kontakte producenten eller et autoriseret serviceværksted. Blotlægning af visse dele inden i apparatet kan bringe dit liv i fare. Producentens garanti omfatter ikke fejl forårsaget af reparationer, der er udført af uautoriserede tredjeparter.

Ingen lyd

Årsag

- Lydstyrken er ikke skruet op.

Løsning

- Juster lydstyrkeknappen.

Ingen lyd fra Bluetooth-forbindelsen

Løsning

- Tjek, om den eksterne enhed kræver adgangskode "0000" for at gå i gang.

WiFi vil ikke tilslutte

Løsning

- Sørg for, at WiFi-tilstand er valgt i Indstillinger, og at den korrekte adgangskode er angivet for WiFi-modemmet

Statisk lyd

Årsag

- For svagt signal modtages

Løsning

- Juster antennen, eller flyt enheden til et sted med kraftigere signal

Lyden er forvrænget

Årsag

- Lydstyrken er for høj

Løsning

- Skru ned for lyden

Den ønskede station blev ikke fundet

Årsag

- Svagt signal

Løsning

- Brug den manuelle indstillingsfunktion

INGEN DAB-funktioner

Årsag

- Ingen DAB-dækning i dit område
- Dårlig modtagelse

Løsning

- Juster antennens retning.

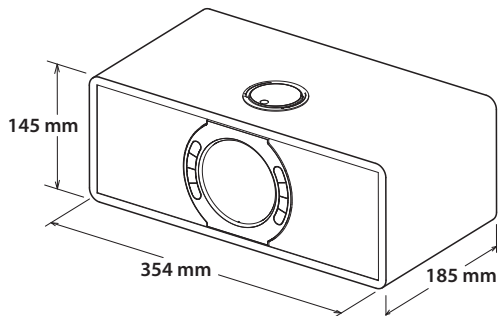
Skærmen er tom.

Årsag

- Dette kan forekomme, hvis radiostationen ændrer tjenestens navn eller fjerner navnet, mens det er indstillet.

Teknisk specifikation

Model	DR-I470
Udgangseffekt	2x7W (RMS)
Strømforbrug (maks.)	28W
Strømforbrug (standard)	8W
Strømforbrug i Standby	<1W
FM-frekvens	87.5-108MHz
DAB+ frekvens	174.928-239.200MHz
Bluetooth	
Version	V2.1+ EDR
Frekvensbånd	2402 MHz ~ 2480 MHz
Maksimal overført effekt	4dBm
Power Adapter	
Modelnavn:	FJ-SW1202000N
Indgang:	AC 100-240V ~ 50/60Hz, 0.6A Max
Udgang:	DC 12V =2000mA
Producent:	SHENZHEN FU JIA APPLIANCE CO., LTD B1,Xujing chang Industrial Park, Haoye Road, Fuyong 518103 Shenzhen, China
WIFI	
WIFI-forbindelse:	802.11 b/g/n; STA/AP/AP Client



KG 3,16kg

Važne sigurnosne upute

Pročitajte ove sigurnosne upute i pridržavajte se sljedećih upozorenja prije korištenja uređaja:



Usklidnik unutar jednakostraničnog trokuta upozorava na važne upute za upotrebu i održavanje (servisiranje) u dokumentaciji isporučenoj uz uređaj.



Koristite samo napajanje navedeno u ovom priručniku.



Ovaj simbol znači da proizvod treba odlagati na ekološki način, a ne s uobičajenim komunalnim otpadom.



AC napon



DC napon



Oprema klase II



Upotreba samo u zatvorenom prostoru



Oznaka energetske učinkovitosti - razina VI



Polaritet priključka istosmjerne struje

Da ne bi došlo do požara, svijeće i otvoreni plamen držite podalje od ovog proizvoda.



Upozorenje:

- Uvijek primjenjujete osnovne mjere opreza prilikom upotrebe ovog uređaja, osobito ako su prisutna djeca.
- Djeca moraju biti pod nadzorom kako se ne bi igrala uređajem.
- Pazite da se kabel napajanja ne ošteti i nemojte na njega stavljati teške predmete. Nemojte ga rastezati ni savijati. Također, nemojte priključivati produžne kabele. Oštećeni kabele mogu uzrokovati požar ili strujni udar.
- Ako je kabel napajanja oštećen, zamjenu povjerite proizvođaču, servisnom predstavniku ili kvalificiranoj osobi kako bi se izbjegle opasne situacije.
- Provjerite je li uređaj priključen u strujnu utičnicu sljedećih specifikacija: AC 100-240V 50/60Hz. Upotreba višeg napona može uzrokovati kvar uređaja, pa čak i požar.
- Ako utikač napajanja ne pristaje u utičnicu, nemojte ga nasilno priključivati.
- Isključite uređaj prije nego što ga iskopčate iz napajanja.
- Nemojte ukapčati ni iskapčati kabel napajanja mokrim rukama. To može uzrokovati strujni udar.
- Iskopčajte kabel napajanja ako uređaj ne namjeravate koristiti dulje vrijeme.
- Utikač napajanja uvijek mora biti lako dostupan.
- Ovaj uređaj ne sadrži nikakve dijelove koje bi korisnik mogao sam popraviti. U slučaju kvara, obratite se proizvođaču ili ovlaštenom servisnom predstavniku. Izlaganje unutarnjim dijelovima uređaja može biti opasno po život. Jamstvo ne vrijedi za kvarove uzrokovane popravcima neovlaštenih trećih strana.
- Proizvod nemojte koristiti odmah nakon vađenja iz ambalaže. Pričekajte da se uređaj zagrije na sobnu temperaturu prije uporabe.
- Uređaj koristite samo u umjerenim temperaturnim uvjetima (ne u tropskim/suptropskim).
- Proizvod stavite na ravnu i stabilnu površinu na kojoj nema vibracija.
- Pazite da proizvod i njegovi dijelovi ne vise preko ruba namještaja na kojem se nalaze.

- Da biste smanjili rizik od požara, strujnog udara ili oštećenja proizvoda, nemojte ga izlagati izravnom sunčevom svjetlu, prašini, kiši i vlazi. Nemojte ga izlagati vlazi ni prskanju i nemojte u njegovoj blizini ostavljati predmete napunjene tekućinama.
- Na uređaj nemojte stavljati nikakve spremnike s tekućinama, npr. vaze itd.
- Uređaj nemojte postavljati blizu izvora topline kao što su radijatori, grijalice, štednjaci ili drugi uređaji koji proizvode toplinu (uključujući pojačala).
- Uređaj nemojte postavljati na mjesta na kojima je visoka vlaga ili slabo provjetranje.
- Oko uređaja mora biti najmanje 5 cm prostora radi odgovarajućeg provjetranja. Nemojte blokirati ventilacijske otvore uređaja. Osigurajte da u otvorima za prozračivanje nema nikakvih predmeta, npr. novina, stolnjaka, zavjesa itd.
- NEMOJTE dopustiti da druge osobe, osobito djeca, guraju predmete u otvore i utore na kućištu uređaja. To može uzrokovati fatalan strujni udar.
- Vremenske nepogode opasne su za električne uređaje. Ako munja udari u glavni električni vod ili ožičenje antene, uređaj će se oštetiti čak i ako je isključen. Prije vremenske nepogode odspojite sve kabele i konektore uređaja.

Održavanje

- Prije čišćenja uređaja iskopčajte kabel napajanja iz utičnice.
- Za čišćenje vanjskog dijela uređaja upotrijebite meku i čistu krpu. Za čišćenje ne koristite kemikalije ili deterdžente.

Prilagodnik napajanja

- Da biste uređaj isključili iz napajanja, iskopčajte utikač iz utičnice.
- Koristite samo isporučeni prilagodnik napajanja. U suprotnom može doći do ozljeda i/ili oštećenja uređaja.

Baterije

- Obratite pažnju na pol kod umetanja baterija.
 - Baterije nemojte izlagati visokim temperaturama i ne stavljajte ih na mjesta gdje se temperatura može brzo povećati, npr. blizu vatre ili na izravnu sunčevu svjetlost.
 - Baterije nemojte izlagati prekomjernoj isijavajućoj toplini, ne bacajte ih u vatru, ne rastavljajte ih i ne pokušavajte puniti nepunjive baterije. Moglo bi doći do curenja tekućine ili eksploziranja.
 - Nikad nemojte koristiti različite vrste baterija istovremeno ili miješati nove i stare baterije.
 - Ako daljinski upravljač ne namjeravate koristiti dulje vrijeme (više od mjesec dana), izvadite iz njega baterije kako ne bi iscrule u uređaj.
 - Ako baterije iscurve, obrišite sadržaj unutar odjeljka baterija i zamijenite baterije novima.
 - Koristite samo propisane baterije.
- U slučaju gutanja baterija postoji opasnost od kemijskih opekline.**
- Ako progutate baterije, za samo 2 sata može doći do ozbiljnih unutarnjih opekline te smrti. Nove i rabljene baterije držite podalje od djece. Ako se odjeljak baterija ne može čvrsto zatvoriti, prestanite koristiti proizvod i držite ga podalje od djece. Ako baterije dospiju u organizam na bilo koji način, odmah zatražite liječničku pomoć.



Odlaganje ove opreme i baterija

Ovaj uređaj nemojte odložiti pod nerazvrstan komunalni otpad. Vratite ga na označeno sabirno mjesto za recikliranje WEEE opreme sukladno lokalnim zakonima. Na taj način sudjelovat ćete u očuvanju prirodnih resursa i zaštiti okoline.

- Većina država članica EU zakonom regulira odlaganje baterija. Obratite se trgovcu ili lokalnim vlastima za više informacija.





- Gore prikazano pojavljuje se kao podsjetnik na električnoj i elektroničkoj opremi (ili ambalaži).
- Za odlaganje iskorištene opreme i baterija upotrijebite za to predviđena odlagališta.

CE izjava:

- UMC Poland sp. z o.o. ovim putem izjavljuje da je ovaj audiouređaj usklađen s osnovnim zahtjevima i drugim relevantnim odredbama smjernice RED 2014/53/EU. Puni tekst EU deklaracije usklađenosti dostupan je putem poveznice <http://www.sharpconsumer.eu/documents-of-confirmity>

Zaštitni znakovi:



Oznaka i logotipi *Bluetooth*® su registrirani zaštitni znakovi u vlasništvu tvrtke Bluetooth SIG, Inc.



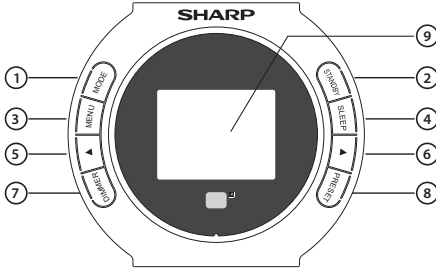
Logotip Wi-Fi CERTIFIED je certifikacijska oznaka organizacije Wi-Fi Alliance

Što se nalazi u kutiji:

- 1x Glavna jedinica DR-450
- 1x Daljinski upravljač
- 1x Prilagodnik napajanja
- 1x Korisnički priručnik
- 1x UK AC utikač za prilagodnik napajanja
- 1x EU AC utikač za prilagodnik napajanja

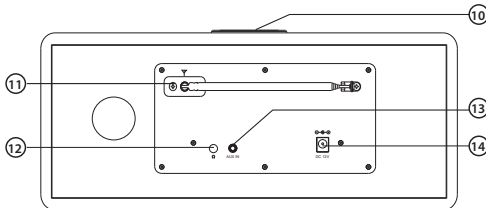
Paneli i kontrole

Prednji panel



- MODE** – Pritisnite za promjenu načina rada: DAB/DAB+, FM, Internet Radio, Bluetooth, AUX IN.
Može se postaviti i pomoću druge funkcije - izbornik <Key>, stavka **CONFIGURATION** (Konfiguracija): Alarm, Dimmer, Equaliser, Local Radio, Mode, Preset, Sleep Timer, Timer.
- NAPOMENE:** Zadana funkcija za ovu tipku je promjena načina rada.
- STANDBY** – Pritisnite za uključivanje uređaja ili prebacivanje u stanje pripravnosti.
- MENU** – Pritisnite ovu tipku za ulazak u MENU Setting Interface.
- SLEEP** – Pritisnite više puta za postavljanje željenog vremena mirovanja.
- ◀ – Kada ste u zaslону za podešavanje, pritisnite ovu tipku za vraćanje na prethodni odabir Kada slušate radio, kratko pritisnite za smanjenje frekvencije u razmacima od 0,05 MHz.
- ▶ – Kada ste u zaslону za podešavanje, pritisnite ovu tipku za vraćanje na prethodni odabir. Kada slušate radio, kratko pritisnite za smanjenje frekvencije u razmacima od 0,05 MHz.
- DIMMER** – Pritisnite za postavljanje razine pozadinskog osvjetljenja.
- PRESET** – Kada se reproducira internetski radio, pritisnite ovu tipku za prebacivanje na zaslon s radijskim postajama / glazbom.
- ZASLON** – Za prikaz informacija.

Stražnji panel

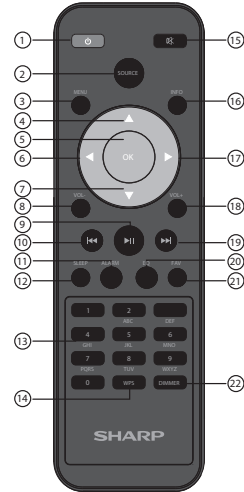


- Gumb za glasnoću / gumb za odabir / gumb OK** – kod reprodukcije okrećite gumb kako biste podesili glasnoću reprodukcije. Prilikom po-

stavljanja izbornika okrećite gumb za odabir opcija - gumb pritisnite prema dolje kako biste potvrdili odabir.

- FM antena** – Za primanje FM signala.
- Utičnica za slušalice** – 3,5 mm utičnica za slušalice.
- Utičnica AUX IN** – Priključite 3,5 mm audio kabel kako biste mogli uživati u glazbi na otvorenom.
- Ulaz istosmjerne struje** – DC 12 V

Daljinski upravljač



- STANDBY** – Na daljinskom upravljaču pritisnite tipku **STANDBY** kako bi se jedinica aktivirala ili prebacila u stanje pripravnosti.
- SOURCE** – Pritisnite tipku **SOURCE** za promjenu načina reprodukcije: DAB / DAB +, FM, AUX IN, Bluetooth, Internet Radio.
Napomena: Ovak gumb može se koristiti kao druga funkcija postavljanjem iz <Key> stavke u **CONFIGURATION**: Alarm, Dimmer, Equalizer, Local Radio, Mode, Preset, Sleep Timer, Timer.
- MENU** – Pritisnite tipku **MENU** na daljinskom upravljaču ili na prednjem panelu za ulaz u izbornik za reprodukciju, pritisnite tipku za **SMJER** ili okrećite gumb za odabir kako biste pretraživali po izborniku: internet-ski radio, medijski centar, FM, DAB/DAB+, informacijski centar, AUX, Bluetooth, konfiguracija, lokalni radio.
- GORE / 5. OK / 6. LJEVO / 7. DOLJE / 17. DESNO** – Skrolajte pomoću tipki **GORE** i **DOLJE** ili okrećite gumb za odabir kako biste skrolali opcijama, a zatim pritisnite tipku OK za potvrdu odabira.
- VOL- / 18. VOL+** – Za podešavanje glasnoće pritisnite tipke **VOL+** i **VOL-** ili okrećite gumb za glasnoću.
- PRETHODNI / 19. SLJEDEĆI** – Prilikom reprodukcije glazbe pritisnite tipku **PRETHODNI** ili **SLJEDEĆI** za preskakanje na prethodni ili sljedeći zapis. Prilikom slušanja radija pritisnite tipku **PRETHODNI** ili **SLJEDEĆI** kako biste preskočili na prethodnu ili sljedeću omiljenu postaju.
- REPRODUCIRAJ/PAUZIRAJ** – Pritisnite tipku **REPRODUCIRAJ/PAUZIRAJ** za pauziranje reprodukcije, ponovno pritisnite za nastavak reprodukcije.
- ALARM** – Pritisnite tipku **ALARM** za prikaz i kreiranje opcija alarma.
- SLEEP** – Pritisnite tipku **SLEEP** više puta kako biste odabrali željeno vrijeme mirovanja.
- BROJKE/SLOVA** – Prilikom postavljanja izbornika utipkajte brojeke ili slova.
- WPS** – WPS Postavke

- 15. MUTE** – Pritisnite tipku **MUTE** za prigušivanje zvuka, za nastavak reprodukcije pritisnite tu tipku ponovno ili tipke **VOL+/-** na daljinskom upravljaču ili okrecite gumb za glasnoću na gornjem panelu.
- 16. INFO** – Pritisnite tipku **INFO** da provjerite podatke o postaji.
- 20. EQ** – Pritisnite tipku **EQ** više puta za odabir različitih zvučnih polja: normalno, ujednačeno, Jazz, Rock, zvučni zapisi, klasična, Pop, vijesti, Moj EQ.
- 21. FAV** – Dugo pritisćite tipku **FAV** za spremanje postaje. Kratko pritisnite tipku **FAV** za prikaz spremjenih omiljenih postaja.
- 22. DIMMER** – Pritisnite tipku **DIMMER** za odabir razine pozadinskog osvjetljenja

POSTAVLJANJE I ZAMJENA BATERIJA DALJINSKOG UPRAVLJAČA

- Pritisnite i gurnite poklopac odjeljka baterije u smjeru strelice na poleđini daljinskog upravljača.
- Otvorite poklopac gurajući ga na mjestu učvršćenja.
- Umetnite dvije baterije pazеći na polaritet +,- kao što je prikazano. Prilikom zamjene upotrijebite baterije iste vrste.
- Ponovo postavite poklopac baterija i učvrstite ga.

Početo postavljanje internetskog radija

Priključite prilagodnik u utičnicu DC IN. Zatim će se na zaslonu prikazati poruka " **Dobro došli**".

Provjerite je li antena izvučena do kraja. Time dobivate najbolji mogući signal.

Nakon zaslona s prikazom dobrodošlice, ako je to vaše prvo korištenje radija, jezik odaberite skrolanjem **gumba za odabir**, a odabir potvrdite pritiskom na tipku **OK**.

Nakon postavljanja jezika na zaslonu će se prikazati poruka " **Omogućiti provjeru mreže kod uključivanja?**". Možete odabrati " **DA**" ili " **NE**" za provjeru mreže kod uključivanja.

Ručno postavljanje WIFI mreže

Nakon toga na zaslonu će se prikazati poruka " **Želite li konfigurirati mrežu sada?**".

- Ako odaberete " **DA**", radio počinje s pretraživanjem obližnjih mreža s kojima bi se mogao povezati. Nakon pretraživanja odaberite mrežu s kojom se želite povezati. Nakon toga unesite slova/brojke skrolanjem **gumba za odabir** ili pritiskom **tipki za BROJKE/SLOVA** sve dok se ne prikaže odgovarajuća znamenka i kliknite na tipku **DESNO** za prijelaz na sljedeću znamenku. Nakon što završite pritisnite tipku **OK** za potvrdu.
- Ako odaberete " **NE**", mrežu možete postaviti kasnije u postavkama za konfiguraciju.

Bežična mreža (WPS PBC)

Kada dođete do koraka " **Želite li konfigurirati mrežu sada?**", ako odaberete " **DA (WPS)**", vaš radio počinje s pretraživanjem WiFi veza.

Kod tog odabira imate samo 120 sekundi vremena da kliknete na tipku **WPS** na vašem WiFi modemu. Na taj način vaš radio povezat će se s WiFi mrežom bez ručnog upisivanja lozinke.

WIFI povezivanje dovršeno!

Nakon što je WiFi povezivanje dovršeno ručnim unosom lozinke za WiFi izbornik ili pomoću pritiska na tipku **WPS**, na zaslonu će se prikazati glavni izbornik, a u gornjem lijevom kutu prikazat će se signal za WiFi mrežu u bijeloj boji. Vaš internetski radio sada je spreman za korištenje!

Internetski radio

Upotrijebite tipke **LJEVO/DESNO** ili okrecite **gumb za odabir** kako biste odabrali < **Internet Radio**> u glavnom izborniku, pritisnite tipku **OK** za ulaz i prikazat će se dostupne opcije:

Moje omiljene postaje: Vaše omiljene postaje bit će spremjene na ovom mjestu kako biste ih što lakše pronašli. Pritisnite tipku **FAV** za prikaz popisa omiljenih postaja.

Radijska postaja / glazba: Ovu opciju odaberite za pretraživanje internetskih radijskih postaja u sljedećim kategorijama: globalnih najtraženijih 20 postaja, žanr, country/lokacija, najvažniji događaji. Pronađite postaje pod relevantnim kategorijama i odaberite

odgovarajuću internetsku postaju pritiskom na tipku **OK**.

Lokalni radio: Radio je automatski postavljen za detektiranje postaja u vašoj državi, najtraženijih 10 postaja, svih postaja uz raznolike žanrove po kategorijama po abecednom redu. Odaberite kategoriju koju želite slušati pritiskom na tipku **OK** i nastavite s pretraživanjem sve dok ne dođete do željene postaje.

Radio u vrijeme mirovanja: Odaberite jedan od nekoliko zvukova za opuštanje.

Povijest: Tražite nedavno slušane postaje.

Usluga: Traženje radijskih postaja ili dodavanje novih radijskih postaja.

- Tipkama **BROJKE/SLOVA** možete tražiti radijske postaje.
- Za dodavanje nove radijske postaje koristite se tipkama **BROJKE/SLOVA** kako biste označili odabrani znak i kliknite na tipku **DESNO** kako biste se pomaknuli na sljedeći znak. Kako biste se vratili na prethodni znak, pritisnite tipku **LJEVO** kako biste ga označili. Pritisnite tipku **OK** kako biste tražili internetske postaje.

Spremite omiljene internetske radijske postaje

Kada pronađete željenu postaju, pritisnite i držite tipku **FAVOR** kako biste ušli u zaslon " **Dodaj pod omiljene**". Okrecite **gumb za odabir** ili pritisnite tipke **GORE/DOLJE** kako biste odabrali broj za memoriranje i pritisnite tipku **OK** za potvrdu vaše opcije.

FM Radio

Raspon FM frekvencija je od 87,5 MHz do 108,00 MHz. Izvucite antenu do kraja kako biste pronašli najjači signal za svaku postaju.

Upotrijebite tipke **LJEVO/DESNO** ili okrecite **gumb za odabir** kako biste odabrali < **FM**> u glavnom izborniku, pritisnite tipku **OK** za ulaz u zaslon FM.

Podšavanje postaja

Pritisnite tipke **GORE/DOLJE** na daljinskom upravljaču ili prednjem panelu kako biste podesili frekvenciju prema gore ili dolje u razmacima od **0,05 MHz**.

Pritisnite tipke **LJEVO/DESNO** na daljinskom upravljaču kako biste preskočili na prethodnu ili sljedeću postaju s najjačim signalom. Nakon pronalaska postaje pretraživanje se automatski zaustavlja.

Pritisnite tipku **OK**, poruka " **Automatsko pretraživanje**" prikazat će se na zaslonu. Ako odaberete " **DA**", radio počinje s pretraživanjem postaja od niže do visoke frekvencije. I automatski će spremi sve pronađene postaje.

Spremanje postaja

Kako biste spremili svoju omiljenu postaju, prvo ju slušajte, dugo pritisćite tipku **FAV** na daljinskom upravljaču, a zatim koristite tipke **GORE/DOLJE** ili okrecite **gumb za odabir** kako biste odabrali broj za memoriranje postaje. Zatim pritisnite tipku **OK** kako biste potvrdili broj za memoriranje.

Odabir spremjene postaje

- Pritisnite tipke **PRETHODNI/SLJEDEĆI** na daljinskom upravljaču kako biste preskočili na prethodnu ili sljedeću memoriranu postaju.
- Ili, pritisnite tipku **FAV** kako biste odabrali memoriranu postaju, pritisnite tipku **OK** za slušanje.

DAB/DAB+

Upotrijebite tipke **LJEVO/DESNO** ili okrecite **gumb za odabir** kako biste odabrali < **DAB/DAB+**> u glavnom izborniku, pritisnite tipku **OK** za ulaz u način rada **DAB/DAB+**.

Kod prve uporabe načina rada **DAB** na radiju, prvo se obavlja pretraživanje **DAB** postaja i prikazat će se poruka " **Pretraživanje**" na zaslonu. Tijekom pretraživanja prikazivat će se broj pronađenih postaja.

Nakon pronalaska svih dostupnih postaja, na zaslonu radija prikazat će se sve dostupne postaje. Pomoću **gumba za odabir** skrolajte kroz postaje i označite željenu postaju. Postaju birate pritiskom na tipku **OK**.

Kada odaberete postaju, na zaslonu će se prikazati postaja i reprodukcija počinje.

Kako biste odabrali prethodnu ili sljedeću postaju, pritisnite tipku

PRETHODNI ili SLJEDEĆI za skrolanje.

Nakon odabira željene postaje pritisnite tipku **INFO** za prikaz informacija o postaji. Na zaslonu će automatski prikazati informacije te žanr, MHZ, informacije o reproduciranoj pjesmi, KHz i Kbps.

Kako biste se vratili na popis za ručno skrolanje, pritisnite tipku **LJEVO** za povratka na popis.

Memoriranje omiljenih DAB/DAB+ postaja

Nakon što pronađete željenu postaju, nekoliko sekundi držite tipku **FAV** kako biste ušli u zaslon **"Dodaj pod omiljene"**. Okrećite **gumb za odabir** kako biste odabrali broj za memoriranje i pritisnite tipku **OK** za potvrdu.

Ili, kada se nalazite u zaslonu s popisom DAB postaja, označite željenu postaju i držite tipku **FAV** za memoriranje.

Za prikaz memoriranih omiljenih postaja, pritisnite tipku **FAV**, upotrijebite tipku **GORE** ili **DOLJE** za skrolanje popisom memoriranih postaja.

Informacijski centar

Upotrijebite tipke **LJEVO/DESNO** ili okrećite **gumb za odabir** kako biste odabrali **<Information Center>** u glavnom izborniku, pritisnite tipku **OK** za ulaz u zaslon Informatički centar.

Vremenska prognoza Kako biste odabrali vremensku prognozu za željeno mjesto, prvo odaberite kontinent pomoću **gumba za odabir**, a zatim pritisnite tipku **OK** za potvrdu. Nakon toga, odaberite državu, zatim i grad. Nakon što odaberete željeni grad na zaslonu će se prikazati sljedeći podaci: trenutna temperatura, simbol za vrijeme, približan raspon temperature za sljedećih 5 dana.

Financijske informacije: Odaberite jedan od burzovnih indeksa iz cijelog svijeta. Uz pomoć gumba **za odabir** skrolajte, a tipkom **OK** potvrdite odabir.

Informacije o sustavu: Prikaz informacija o sustavu i bežičnoj vezi. Ako ste odabrali informacije o bežičnoj vezi, tu možete pronaći informacije, npr. o jačini signala WIFI mreže.

Upotreba AUX priključka

AUX-IN

Upotrijebite tipke **LJEVO/DESNO** ili okrećite **gumb za odabir** kako biste odabrali **<AUX>** u glavnom izborniku, pritisnite tipku **OK** za ulaz u način rada AUX.

Priključite AUX kabel u radio na ulaz AUX-IN na stražnjoj strani radija. Pokrenite reprodukciju zvuka s vašeg uređaja i taj isti zvučni zapis trebali biste čuti i na radiju kada ga prebacite u način rada AUX.

Slušalice

Na stražnjem panelu radija **utičnica za slušalice** omogućuje slušanje zvuka s vašeg radija. Pokrenite reprodukciju zvuka s internetskog radija, medijskog centra, AUX ili Bluetooth postavke.

Bluetooth

Upotrijebite tipke **LJEVO/DESNO** ili okrećite **gumb za odabir** kako biste odabrali **<Bluetooth>** u glavnom izborniku, pritisnite tipku **OK** za ulaz u način rada Bluetooth.

1. Uđite u postavke vašeg uređaja kako biste uređaj spojili s radijem putem Bluetootha.
2. Odaberite naziv **"SHARP DR-I470"** koji se nalazi na popisu vašeg uređaja. Nakon uspješnog uparivanja radio će izreći poruku **"Povezano"**, a na zaslonu će se prikazati poruka **"Povezano putem Bluetootha"**.
3. Odaberite željeni zvučni zapis na uređaju i pokrenite reprodukciju.
4. Sada možete slušati glazbu sa svog uređaja.

5. Za prekid veze prebacite se u način rada za reprodukciju ili isključite funkciju Bluetooth na vašem uređaju.

Konfiguracija

Upotrijebite tipke **LJEVO/DESNO** ili okrećite **gumb za odabir** kako biste odabrali **<Configuration>** u glavnom izborniku, pritisnite tipku **OK** za ulaz u postavke za konfiguraciju.

Prikaz vremena

Postavite tip prikaza vremena: analogni ili digitalni.

Upravljač medijima

Postavite funkciju na Omogućiti ili Onemogućiti.

Mreža

- **Konfiguracija bežične mreže**
 - Na postavkama za mrežu možete postaviti WIFI vezu odabirom konfiguracije bežične mreže. Radio će nakon toga pokrenuti pretraživanje dostupnih WIFI veza.
 - Pronađite WIFI vezu i potvrdite ju tipkom **OK**. Za unos slova/brojki pritisnite **gumb za odabir** ili tipke **SLOVA/BROJKE** sve dok se ne prikaže željena znamenka. Zatim pritisnite tipku **DESNO** kako biste prešli na sljedeću znamenku. Pritisnite tipku **LJEVO** ako želite ići natrag na prethodnu znamenku. Nakon što završite pritisnite tipku **OK** za potvrdu.
 - Nakon što se spojite na WIFI mrežu na glavnom zaslonu će se prikazati WIFI signal u bijeloj boji u gornjem lijevom kutu.
- **Bežična mreža (WPS PBC)**
 - Odaberite ovu opciju za pretraživanje WIFI veze. Kod tog odabira imate samo 120 sekundi vremena da kliknete na tipku WPS na vašem WIFI modemu. Na taj način vaš radio povezat će se s WIFI mrežom bez ručnog upisivanja lozinke.
- **Ručna konfiguracija**
 - Podatke o bežičnoj mreži možete postaviti ručno: DHCP, Unesi SSID i Upravljač.
- **Provjera mreže kod uključanja**
 - Postavite na Omogućiti ili Onemogućiti.

Datum i vrijeme

- **Postavite datum i vrijeme**
 - **Ručno postavljanje ili automatska detekcija** Postoji opcija ručnog postavljanja vremena i datuma umjesto automatske detekcije. Okrećite **gumb za odabir** ili pritisnite tipke sa znamenkama kako biste unijeli željenu znamenku za mjesec. Nakon što ste odabrali odgovarajuću znamenku, kliknite na tipku **DESNO** kako biste krenuli postavku za dan. Nastavite s ovim procesom za postavljanje godine, sati i minuta. Nakon dovršenog ručnog postavljanja pritisnite tipku **OK** za unos. Format datuma i vremena možete izmijeniti u postavkama funkcije "Datum i vrijeme".
- **Podešavanje vremenskog formata:** Odaberite ili 12-satni ili 24-satni format.
- **Podešavanje formata za datum:** GGGG/MM/DD, DD/MM/GGGG, MM/DD/GGGG

Alarmi

- **Podešavanje alarma 1 / alarma 2**
 - Kako biste postavili alarm na vašem radiju, uđite u postavke **"Konfiguracija"** i odaberite **"Alarm"** ili kliknite tipku **ALARM** na daljinskom upravljaču.
 - Nakon ulaska u zaslon za postavljanje alarma odaberite **"Alarm 1 (isključiti)"** ili **"Alarm 2 (isključiti)"** i odaberite **"Uključiti"** za aktivaciju alarma.
 - Odaberite "Ponovi" za višekratnu uporabu alarma pritiskom na tipku **OK**. Možete odabrati između opcija Svaki dan, Jednom ili odaberite pojedinačne dane u tjednu kada želite da se alarm uključi. Nakon odabira pritisnite tipku **LJEVO** za vraćanje natrag na druge postavke alarma.

- Odaberite **“Vrijeme”** i okrenite **gumb za odabir** kako biste označili sat za alarm. Nakon što postavite željeni sat pritisnite tipku **DESNO** kako biste promijenili minute.
- Nakon što postavite ispravnu vrijednost za minute pritisnite tipku **DESNO** kako biste promijenili **“prijepodne”** ili **“poslijepodne”**, a zatim pritisnite tipku **OK** za potvrdu i vratite se natrag na postavke alarma.
- Sada skrolajte prema dolje i odaberite **“Zvuk”** pritiskom na tipku **OK**. Sada možete odabrati jednu od sljedećih opcija: zvučni signal, melodija, internetski radio, FM ili DAB/DAB+.
- Ako ste za zvuk alarma postavili internetski radio, FM ili DAB/DAB+, trebat ćete odabrati jednu od memoriranih omiljenih postaja. Postaju za alarm birate pritiskom na tipku **OK**.
- Na glavnom zaslonu prikazat će se simbol za alarm.

Otkazivanje alarma

- Za otkazivanje alarma odaberite **“Alarm”** u postavkama Konfiguracije ili pritisnite tipku **ALARM** i odaberite alarm koji želite isključiti.
- Nakon odabira alarm možete ili uključiti ili isključiti. Označite opciju **“Isključi pritisnite tipku OK za potvrdu”**.

NAPOMENA: Promijenite glasnoću alarma tako da idete na postavku **“Glasnoća alarma”** u zaslonu za podešavanje alarma.

Kako isključiti alarm tijekom reprodukcije zvuka

Kada čujete zvuk alarma, pritisnite tipku **ALARM** ili **STANDBY** na daljinskom upravljaču kako biste alarm zaustavili. Ako ste postavili alarm za svaki dana ili više od jednog puta, ikona alarma uvijek će biti prikazana na zaslonu.

Kako postaviti alarm na funkciju SNOOZE (odgodu)

Kada čujete zvuk alarma, pritisnite bilo koju tipku osim tipke **STANDBY** ili **ALARM** kako biste zvuk zaustavili i ušli u način rada za odgodu **SNOOZE**. Funkcija odgode (**SNOOZE**) ponovno će uključiti zvuk radija nakon 5 minuta.

NAPOMENA: Zaustavite alarm za odgodu SNOOZE

pritisnom na tipku **ALARM** ili **STANDBY**.

Alarm za popodnevni odmor

- Nakon odabira opcije **“Alarm”** u postavkama Konfiguracije ili pritiska na tipku **ALARM** na daljinskom upravljaču odaberite opciju **“Alarm za popodnevni odmor (isključiti)”**.
- Odaberite nakon koliko minuta želite uključenje alarma za popodnevni odmor: isključi, 5 minuta, 10 minuta, 20 minuta, 30 minuta, 60 minuta, 90 minuta, 120 minuta.

Glasnoća alarma

- Promijenite glasnoću alarma okretanjem **gumba za glasnoću** ili tipki **LIJEVO / DESNO** za promjenu.
- Nakon odabira odgovarajuće glasnoće zvuka pritisnite tipku **OK** za potvrdu.

Mjerač vremena

- U postavkama **“Konfiguracija”** odaberite opciju za **“Mjerač vremena”** a na zaslonu će se prikazati 00:00.
- Kako biste sekunde povećali, pritisnite tipku **DESNO**. Kako biste sekunde smanjili, pritisnite tipku **LIJEVO**. Pritisnite i držite tipke **LIJEVO/ DESNO** za brzo micanje mjeračem vremena.
- Nakon odabira odgovarajućeg mjerača vremena potvrdite ga pritiskom na tipku **OK**.

Jezik

Odaberite željeni jezik unutar popisa.

Dimmer

- Za postavljanje osvjetljenja radija idite u postavke **“Konfiguracija”** i odaberite **“Dimmer”**. Možete odabrati opciju **“Ušteda energije”** ili **“Uključi”**.
- Odaberite način **“Ušteda energije”** za promjenu razine osvjetljenja sa izborom od 20 razina. Kada radio nije aktivan u trajanju od 15 sekundi, postavlja se niska razina osvjetljenja sve dok se ne pritisne tipka pa se nakon toga aktivira postavka **“Uključi”**.
- Odaberite način rada **“Uključi”** kako biste uključili osvjetljenje kad je radio aktivan i u uporabi.

- Ili, dvije razine osvjetljenja možete mijenjati pritiskom na tipku **DIMMER** na daljinsko upravljaču ili na prednjem panelu.

Zaslon

Odaberite zaslon u boji ili crno-bijeli.

Upravljanje energijom

Odaberite ovu opciju za konfiguraciju radija kako biste automatski ušli u stanje pripravnosti nakon određenog vremena neaktivnosti ili ako nema WiFi signala. Možete odabrati **5/15/30 minuta** za prebacivanje u stanje pripravnosti ili odaberite **“Isključi”** za zanemarivanje ove funkcije.

Mjerač vremena za mirovanje

- Kako biste postavili mjerač vremena za mirovanje, idite na postavku **“Konfiguracija”** i odaberite **“Mjerač vremena za mirovanje”**. Možete odabrati **isključiti, 15, 30, 60, 90, 120, 150, 180** minuta.
- Ili, više puta pritisnite tipku **SLEEP** na daljinskom upravljaču za prebacivanje između vremena mirovanja u gornjem desnom kutu zaslona. Opcije su sljedeće: **15, 30, 60, 90, 120, 150, 180** minuta.
- Nakon odabira mjerača vremena za mirovanje u gornjem desnom kutu zaslona prikazat će se vrijeme mjerača vremena i ikona za mirovanje.

Međuspremnik

Konfigurirajte vrijeme međuspremnika za reprodukciju glazbe: **2 / 4 / 8** sekundi.

Vrijeme

- **Postavite lokaciju:** Odaberite i unesite lokaciju.
- **Jedinica za temperaturu:** Odaberite preferiranu jedinicu **“Celzij”** ili **“Fahrenheit”**.
- **Prikaži u stanju pripravnosti:** Odaberite **“Isključi”** ili **“Uključi”** kako biste deaktivirali ili aktivirali zaslon vremenske prognoze na zaslonu stanja pripravnosti. Kada aktivirate zaslon vremenske prognoze, prikazat će se na zaslonu stanja pripravnosti svakih 10 sekundi.

Postavljanje FM

- **načina rada:** Možete postaviti način rada **“Mono”** ili **“Stereo”**.
- **Grafična vrijednost:** Odaberite postavke grafične vrijednosti (pretraživanje grafičnih vrijednosti/Stereo grafična vrijednost).
- (Grafična vrijednost koristi se za postavljanje automatskog prebacivanje između načina rada mono i stereo. Kada se radio nalazi na mjestu sa slabim prijamom signala, sustav će se automatski prebaciti u način rada mono radi smanjenja pozadinskih buke postaje kako bi slušanje bilo što ugodnije.)

Postavljanje lokalnog radija

Rade ručno postavite lokaciju za lokalni radio nego omogućite automatsku detekciju.

Postavljanje reprodukcije

Odaberite način rada reprodukcije medijskog centra: isključi, ponovi sve, ponovi jedan zapis, miješaj.

Uređaj

Zadani naziv za DLAN je **“AirMusic”**. Uređaju možete promijeniti naziv kod postavljanja DLAN-a.

Glavni izbornik

U ovom sučelju postavki možete odabrati **“Alarm”, “Dimmer”, “Equaliser”, “Local Radio”, “Mode”, “Preset”, “Sleep Timer”** i **“Timer”** za potvrdu funkcije tipke **MODE** na prednjem panelu i daljinskom upravljaču.

Ekvilizator

Zadani EQ je uobičajeni. Možete ga promijeniti u Flat (ujednačeni), Jazz, Rock, Soundtracks (zvučni zapisi), Classical (klasična glazba), Pop, News (Vijesti) ili my EQ (MoJ EQ).

Nastavi s radom prilikom uključanja

Uključite funkciju radija kako bi se rad nastavio prilikom uključanja. Zaslon će ostati u glavnom izborniku.

Ažuriranje softvera

Ovdje će se prikazati ako je za radio dostupno ažuriranje softvera. Ako je ažuriranje dostupno, odaberite inicijalizaciju ažuriranja.

Vrati na zadano

Odaberite ovu opciju za vraćanje radija na tvornički zadane postavke. Potvrdite ako uređaj želite vratiti na zadane postavke pritiskom na tipku "DA".

Otklanjanje poteškoća

Ovaj uređaj ne sadrži nikakve dijelove koje bi korisnik mogao sam popraviti. U slučaju kvara, obratite se proizvođaču ili ovlaštenom servisnom predstavniku. Izlaganje unutarnjim dijelovima uređaja može biti opasno po život. Jamstvo ne vrijedi za kvarove uzrokovane popravcima neovlaštenih trećih strana.

Nema zvuka

Uzrok

- Glasnoća nije pojačana.

Rješenje

- Prilagodite glavni gumb za glasnoću.

Nema zvuka putem Bluetooth veze

Rješenje

- Provjerite je li na eksternom uređaju potrebno upisati lozinku "0000" za pokretanje.

WiFi mreža nije spojena

Rješenje

- Provjerite je li odabran WIFI način rada u postavkama i je li unesena odgovarajuća lozinka za WIFI modem.

Zvuk statičkog elektriciteta

Uzrok

- Loš prijam signala.

Rješenje

- Podesite antenu ili premjestite jedinicu na lokaciju s jačim signalom.

Zvuk je distorziran

Uzrok

- Prejaka glasnoća

Rješenje

- Smanjite glasnoću

Nije pronađena željena postaja

Uzrok

- Slab signal

Rješenje

- Upotrijebite funkciju ručnog pretraživanja

Nema funkcija DAB

Uzrok

- U vašem području nema pronađenih DAB postaja.
- Loš prijem

Rješenje

- Podesite položaj antene.

Ništa nije prikazano na zaslonu.

Uzrok

- Razlog tome je promjena oznake usluge programske kuće ili uklanjanje oznake tijekom pretraživanja.

Rješenje

- Radio će ponovno pokušati s pretraživanjem.
- Pokrenite pretraživanje.

Nema napajanja

Uzrok

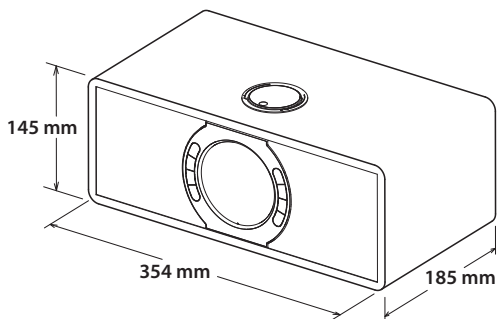
- Prilagodnik nije priključen u zidnu utičnicu.

Rješenje

- Provjerite je li prilagodnik priključen.

Tehničke specifikacije

Model	DR-I470
Izlazna snaga	2x7W (RMS)
Potrošnja el. energije (maks.)	28W
Potrošnja el. energije (standard)	8W
Potrošnja el. energije tijekom stanja pripravnosti	<1W
FM frekvencija	87.5-108MHz
DAB+ frekvencija	174.928-239.200MHz
Bluetooth	
Verzija	V2.1+ EDR
Rasponi frekvencija	2402 MHz ~ 2480 MHz
Maksimalna prenesena snaga	4dBm
Prilagodnik napajanja	
Naziv modela:	FJ-SW1202000N
Ulaz:	AC 100-240V ~ 50/60Hz, 0.6A Max
Izlaz:	DC 12V ≈ 2000mA
Proizvođač:	SHENZHEN FU JIA APPLIANCE CO., LTD B1,Xujing chang Industrial Park, Haoye Road, Fuyong 518103 Shenzhen, China
WIFI	
WIFI veza:	802.11 b/g/n; STA/AP/AP Client



KG 3,16kg

Instrucțiuni importante de siguranță

Citiți aceste instrucțiuni de siguranță și respectați următoarele avertismente înainte de a utiliza aparatul:



Punctul de exclamație într-un triunghi echilateral este menit să avertizeze utilizatorul în privința prezenței unor instrucțiuni importante de utilizare și întreținere (service) din documentația care însoțește aparatul.



Utilizați exclusiv alimentarea electrică specificată în manualul de utilizare.



Acest simbol înseamnă că produsul trebuie eliminat în mod ecologic și nu împreună cu gunoiul menajer.



AC Tensiune c.a



DC Tensiune c.c.



Echipament Clasa II



Doar pentru uz la interior



Marcaj de eficiență energetică de nivel VI

 Polaritatea conectorului de alimentare de c.c.

Pentru a preîntâmpina incendiile, țineți întotdeauna lumânările și alte surse de flacără deschisă departe de acest produs.



Upozorenje:

- Uvijek primjenjujete osnovne mjere opreza prilikom upotrebe ovog uređaja, osobito ako su prisutna djeca.
- Djeca moraju biti pod nadzorom kako se ne bi igrala uređajem.
- Pazite da se kabel napajanja ne ošteti i nemojte na njega stavljati teške predmete. Nemojte ga rastezati ni savijati. Također, nemojte priključivati ​​proizvedne kabele. Oštećeni kabele mogu uzrokovati požar ili strujni udar.
- Ako je kabel napajanja oštećen, zamijenu povjerite proizvođaču, servisnom predstavniku ili kvalificiranoj osobi kako bi se izbjegle opasne situacije.
- Provjerite je li uređaj priključen u strujnu utičnicu sljedećih specifikacija: AC 100-240V 50/60Hz. Upotreba višeg napona može uzrokovati kvar uređaja, pa čak i požar.
- Ako utikač napajanja ne pristaje u utičnicu, nemojte ga nasilno priključivati.
- Isključite uređaj prije nego što ga iskopčate iz napajanja.
- Nemojte ukapčati ni iskapčati kabel napajanja mokrim rukama. To može uzrokovati strujni udar.
- Iskopčajte kabel napajanja ako uređaj ne namjeravate koristiti dulje vrijeme.
- Utikač napajanja uvijek mora biti lako dostupan.
- Ovaj uređaj ne sadrži nikakve dijelove koje bi korisnik mogao sam popraviti. U slučaju kvara, obratite se proizvođaču ili ovlaštenom servisnom predstavniku. Izlaganje unutarnjim dijelovima uređaja može biti opasno po život. Jamstvo ne vrijedi za kvarove uzrokovane popravcima neovlaštenih trećih strana.
- Proizvod nemojte koristiti odmah nakon vađenja iz ambalaže. Pričekajte da se uređaj zagrije na sobnu temperaturu prije uporabe.
- Uređaj koristite samo u umjerenim temperaturnim uvjetima (ne u tropskim/suptropskim).
- Proizvod stavite na ravnu i stabilnu površinu na kojoj nema vibracija.

- Pazite da proizvod i njegovi dijelovi ne vise preko ruba namještaja na kojem se nalaze.
- Da biste smanjili rizik od požara, strujnog udara ili oštećenja proizvoda, nemojte ga izlagati izravnom sunčevom svjetlu, prašini, kiši i vlazi. Nemojte ga izlagati vlazi ni prskanju i nemojte u njegovoj blizini ostavljati predmete napunjene tekućinama.
- Na uređaj nemojte stavljati nikakve spremnike s tekućinama, npr. vaze itd.
- Uređaj nemojte postavljati blizu izvora topline kao što su radijatori, grijalice, štednjaci ili drugi uređaji koji proizvode toplinu (uključujući pojačala).
- Uređaj nemojte postavljati na mjesta na kojima je visoka vlaga ili slabo provjetranje.
- Oko uređaja mora biti najmanje 5 cm prostora radi odgovarajućeg provjetranja. Nemojte blokirati ventilacijske otvore uređaja. Osigurajte da u otvorima za prozračivanje nema nikakvih predmeta, npr. novina, stolnjaka, zavjesa itd.
- NEMOJTE dopustiti da druge osobe, osobito djeca, guraju predmete u otvore i uotore na kućištu uređaja. To može uzrokovati fatalan strujni udar.
- Vremenske nepogode opasne su za električne uređaje. Ako munja udari u glavni električni vod ili ožičenje antene, uređaj će se oštetiti čak i ako je isključen. Prije vremenske nepogode odspojite sve kabele i konektore uređaja.

Održavanje

- Prije čišćenja uređaja iskopčajte kabel napajanja iz utičnice.
- Za čišćenje vanjskog dijela uređaja upotrijebite meku i čistu krpu. Za čišćenje ne koristite kemikalije ili deterdžente.

Adaptor de alimentare

- Pentru a deconecta unitatea de la rețeaua de alimentare, deconectați cablul din priză de rețea.
- Utilizați doar adaptorul de rețea furnizat, în caz contrar, puteți provoca un risc de siguranță și/sau deteriorarea unității.

Bateriile

- Observați polaritatea corectă când introduceți bateriile.
- Nu expuneți bateriile la temperaturi ridicate și nu le așezați în locuri în care temperatura poate crește rapid, de ex. lângă foc sau în lumină solară directă.
- Nu expuneți bateriile la căldură radiantă excesivă, nu le aruncați în foc, nu le dezamblați și nu încercați să reincărcați bateriile nereincărcabile. Acestea pot prezenta scurgeri sau pot exploda.
- Nu utilizați niciodată baterii diferite împreună și nu amestecați bateriile noi cu cele vechi.
- Când telecomanda urmează să nu fie utilizată o perioadă lungă de timp (mai mult de o lună), scoateți bateria din telecomandă, pentru a evita scurgerea.
- Dacă bateriile prezintă scurgeri, ștergeți lichidul scurs din interiorul compartimentului pentru baterii și înlocuiți bateriile cu unele noi.
- Nu utilizați baterii diferite de cele specificate.



Nu înghițiți bateria, pericol de arsuri chimice!

- Dacă bateria este înghițată, poate cauza arsuri interne grave în numai 2 ore și poate conduce la deces. Nu păstrați bateriile noi și pe cele uzate la îndemână copiilor. În cazul în care compartimentul pentru baterii nu se închide bine, nu mai utilizați produsul și nu îl păstrați la îndemână copiilor. În cazul în care credeți că bateriile au fost înghițate sau introduse în vreo parte a corpului, solicitați imediat asistență medicală.

Eliminarea acestui produs și a bateriilor

- Nu eliminați acest produs sau bateriile sale ca deșeu menajer nesortat. Returnați-l la un punct de colectare desemnat pentru reciclarea WEEE, conform cu legislația locală. În acest fel, veți contribui la conservarea resurselor și la protejerea mediului inconjurător.



-
- Majoritatea țărilor UE reglementează prin lege eliminarea bateriilor. Contactați distribuitorul sau autoritățile locale pentru informații suplimentare.



- Ceea ce este prezentat mai sus apare pe echipamentele electrice și electronice (sau pe ambalaj) pentru a le reaminti utilizatorilor de acest lucru.
- Utilizatorii sunt rugați să utilizeze facilitățile de returnare existente pentru echipamentele și bateriile uzate.

Declarație CE:

- Prin prezenta, UMC Poland sp. z o.o. declară că acest dispozitiv audio este conform cu cerințele esențiale și cu alte prevederi relevante din Directiva 2014/53/UE privind echipamentele radio (RED). Textul integral al declarației de conformitate UE este disponibil la următorul link : <http://www.sharpconsumer.eu/documents-of-confirmity>

Mărci comerciale:



Denumirea și siglele *Bluetooth*[®] sunt mărci comerciale înregistrate deținute de Bluetooth SIG., Inc.



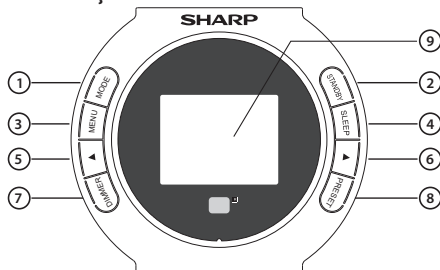
Sigla Wi-Fi CERTIFIED Logo este o marcă de certificare pentru Wi-Fi Alliance.

Conținutul cutiei:

- 1x unitate principală
- 1x Telecomandă
- 1x adaptor de alimentare
- 1x manual de utilizare
- 1x mufă c.a. (Marea Britanie) pentru adaptorul de alimentare
- 1x mufă c.a. (UE) pentru adaptorul de alimentare

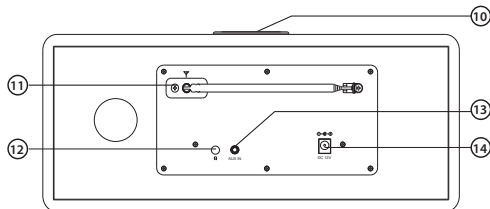
Panouri și comenzi

Panoul din față



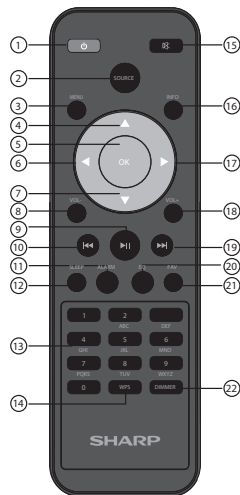
- MOD** – Apăsați pentru a schimba modulurile: DAB/DAB+, FM, Radio Internet, Bluetooth, AUX IN.
De asemenea, poate fi setat cu o altă funcție prin setarea din meniul <Taste> din **CONFIGURARE**: Alarmă, Ajustare luminozitate, Egalizator, Radio local, Mod, Presetare, Temporizator inactivitate, Temporizator.
NOTE: Funcția implicită pentru acest buton este schimbarea Modulului.
- AȘTEPTARE** - Apăsați acest buton pentru a porni unitatea sau pentru a intra în modul de așteptare Standby.
- MENU** – Apăsați acest buton pentru a intra în interfața de setare MENU.
- INACTIVITATE** – Apăsați în mod repetat pentru a seta ora de inactivitate dorită.
- ◀** – În ecranul de setări, apăsați pentru a reveni la selecția anterioară. Când ascultați un post de radio, apăsați scurt pentru descreșterea frecvenței în trepte de 0,05 MHz.
- ▶** – În ecranul de setări, apăsați pentru a trece la selecția următoare. Când ascultați un post de radio, apăsați scurt pentru creșterea frecvenței în trepte de 0.05 MHz.
- AJUSTARE LUMINOZITATE** – Apăsați pentru a seta nivelul luminii de fundal.
- PRESETARE** – În timpul redării radioului de pe Internet, apăsați acest buton pentru a accesa ecranul Post Radio/Muzică.
- ECRAN AFIȘAJ** – Afișarea informațiilor.

Panoul din spate



- Buton volum / Buton Selectare / Buton OK** – În timpul redării, rotiți butonul pentru a regla volumul de redare. În ecranul de setări, rotiți butonul pentru a selecta opțiunile; apăsați butonul în jos pentru a confirma selecția.
- Antenă telescopică** – Pentru a recepționa semnalul FM.
- Mufă pentru căști** – Mufă pentru căști de 3,5 mm.
- Mufă AUX IN** – Conectați cablul audio de 3,5 mm pentru a vă bucura de muzica externă.
- Intrare alimentare de c.c.** – 12V c.c.

Telecomandă



- AȘTEPTARE** – Apăsați butonul **AȘTEPTARE (STANDBY)** de pe telecomandă pentru a aprinde unitatea sau pentru a comuta în modul de așteptare.
- SOURCE** – Apăsați butonul SOURCE pentru a schimba modulurile de redare: DAB / DAB +, FM, AUX IN, Bluetooth, Internet Radio.
Notă: Acest buton poate fi folosit ca o altă funcție prin setarea de la elementul <Key> în CONFIGURATION: Alarm, Dimmer, Equalizer, Local Radio, Mode, Preset, Sleep Timer, Timer.
- MENU** – Apăsați butonul MENU (MENU) de pe telecomandă sau de pe panoul frontal pentru a intra în meniul de redare, apăsați butoanele de **DIRECȚIE** sau rotiți butonul de Selectare pentru a naviga meniul: Radio prin Internet, Centru media, FM, DAB/DAB+, Centru de Informații, AUX, Bluetooth, Configurație, Radio local.
- SUS / 5. OK / 6. STÂNGA / 7. DOWN / 17. DREAPTA** – Navigați cu butoanele de **SUS** și de **JOS** sau rotiți butonul de Selectare pentru a naviga opțiunile, apoi apăsați butonul OK pentru a confirma selecția.
- VOL- / 18. VOL+** – Pentru a regla volumul, puteți apăsa butoanele **VOL+** și **VOL-** sau puteți roti direct butonul de Volum.
- ANTERIOR / 19. URMĂTOR** – Când redați o melodie, apăsați butonul **ANTERIOR** sau **URMĂTOR** pentru a trece la piesa anterioară sau la următoarea. Când ascultați un post de radio, apăsați butoanele **ANTERIOR** sau **URMĂTOR** pentru a trece la piesa anterioară sau la următoarea.
- REDARE/PAUZĂ** – Apăsați butonul **REDARE/PAUZĂ** pentru a întrerupe redarea, apăsați din nou pentru a relua.
- ALARMĂ** – Apăsați butonul **ALARMĂ** pentru a vizualiza și a crea opțiunile de alarmă.
- INACTIVITATE** – Apăsați butonul **INACTIVITATE** în mod repetat pentru a seta ora de inactivitate dorită.

13. **NUMĂR/LITERĂ** – Când setați meniul, introduceți numere sau litere.
14. **WPS** – WPS Setări
15. **MUT** – Apăsăți butonul **MUT** pentru a dezactiva sunetul, apăsați din nou sau apăsați butoanele **VOL+/-** de pe telecomandă ori roțiți butonul de Volum din panoul superior pentru a relua.
16. **INFO** – Apăsăți butonul **INFO** pentru a verifica informațiile despre posturi.
20. **EQ** – Apăsăți butonul **EQ** în mod repetat, pentru a alege diferite câmpuri de sunet: Normal, Flat, Jazz, Rock, Coloane sonore, Clasic, Pop, Știri, My EQ.
21. **FAV** – Apăsăți lung butonul **FAV** pentru a salva un post radio. Apăsăți scurt butonul **FAV** pentru a vizualiza posturile preferate care au fost salvate.
22. **AJUSTARE LUMINOZITATE** – Apăsăți butonul **AJUSTARE LUMINOZITATE** pentru a selecta nivelul luminii de fundal

INSTALAREA SAU ÎNLOCUIREA BATERIILOR PENTRU TELECOMANDĂ

1. Apăsăți clema de pe capacul compartimentului pentru baterii în direcția săgeții în relief de pe partea din spate a telecomenzii.
2. În timp ce apăsați clema, deschideți capacul compartimentului pentru baterii.
3. Instalați două baterii respectând polaritatea +,- conform ilustrației. Când înlocuiți bateriile, folosiți exclusiv același tip de baterii ca cele furnizate.
4. Montați la loc capacul compartimentului pentru baterii și fixați-l cu un clic pe poziție.

Pornirea radioului pe Internet

Conectați adaptorul de alimentare la mufa CC IN Apoi mesajul, **Bun venit**™ va fi afișat pe ecran.

Asigurați-vă că antena este extinsă cât mai mult posibil. Acest lucru vă va permite să obțineți cel mai bun semnal.

După ecranul de întâmpinare, dacă aceasta este prima dată când utilizați radioul, veți putea selecta limba prin navigarea cu **butonul de Selectare** și confirma selecția apăsând butonul **OK**.

După setarea limbii, ecranul va afișa „**Activați verificarea rețelei la pornire?**”. Puteți alege „**DA**” sau „**NU**” pentru a decide dacă unitatea va verifica rețeaua la pornire sau nu.

Setare manuală WIFI

După setarea de mai sus, ecranul va afișa „**Doriți să configurați Rețeaua acum?**”.

- Dacă selectați „**DA**”, radioul dumneavoastră va începe să scaneze rețele din apropiere pentru conectare. După scaneare, trebuie să alegeți rețeaua la care doriți să vă conectați. Apoi, introduceți literele / numerele prin navigarea cu **butonul de Selectare** sau prin apăsarea butoanelor **NUMĂR/LITERĂ** până când este corectă cifra afișată și apăsați pe butonul spre **DREAPTA** pentru a trece la următoarea cifră. Odată ce ați finalizat, apăsați butonul **OK** pentru a confirma.
- Dacă selectați „**NU**”, apoi puteți seta acest aspect mai târziu în setările de configurare.

Rețea Wireless (WPS PBC)

În etapa „**Doriți să configurați Rețeaua acum?**”, dacă selectați „**DA (WPS)**” radioul dumneavoastră va începe să caute conexiuni WiFi.

După ce a fost selectată această opțiune, veți avea 120 de secunde pentru a apăsa pe butonul **WPS** de pe modulul dumneavoastră WiFi. Această acțiune va conecta WiFi-ul la radioul dumneavoastră, fără ca dumneavoastră să scrieți manual parola.

Conexiune WIFI Finalizată!

Odată ce configurarea WiFi-ului dumneavoastră este finalizată prin introducerea manuală a parolei WiFi prin WPS, veți fi dus la ecranul meniului principal, iar semnalul WiFi va apărea cu alb în partea stângă sus. Serviciul dumneavoastră de Radio prin Internet este acum setat!

Radio prin Internet

Utilizați butoanele **STÂNGA/DREAPTA** sau roțiți **butonul de Selectare** pentru a alege <**Radio prin Internet**> în ecranul Meniu, apăsați butonul

OK pentru a accesa serviciul și vor exista mai multe opțiuni:

Favorite: Stațiile dumneavoastră preferate vor fi salvate aici pentru a le putea asculta cu ușurință. Puteți apăsa direct butonul **FAV** pentru a vizualiza lista de posturi preferate.

Post Radio/Muzică: Selectați această opțiune pentru a căuta posturile de Radio prin Internet în categoriile: Top 20 Global, Gen, Țară/Locație, Populare. Căutați posturi în categoriile relevante și selectați postul de Internet ales prin apăsarea butonului **OK**.

Radio local: Radioul este configurat automat pentru a detecta în ordine alfabetică Top 10 posturi și Toate posturile din țara dumneavoastră, plus o varietate de genuri în categorii ordonate alfabetic. Selectați categoria pe care doriți să o ascultați cu butonul **OK** și continuați să navigați până la postul dorit.

Radio odihnă: Alegeți din mai multe sunete de relaxare.

Istoric: Navigați lista de posturi ascultate recent.

Serviciu: Căutați un Post radio sau Adăugați un nou post radio.

- Puteți utiliza butoanele **NUMĂR/LITERĂ** pentru a căuta un post de radio.
- Pentru a adăuga un nou post radio, utilizați butoanele **NUMĂR/LITERĂ** pentru a evidenția caracterul ales și apăsați pe butonul spre **DREAPTA** pentru a trece la următorul caracter. Pentru a reveni la caracterul anterior, apăsați butonul spre **STÂNGA** pentru a-l evidenția. Apăsăți butonul **OK** pentru a căuta postul de Radio prin Internet.

Salvați posturile preferate de Radio prin Internet

Când ați găsit postul dorit, apăsați și țineți apăsat butonul de **FAVORITE** pentru a merge la ecranul de setări „**Adăugarea Favorite**”. Rotiți **butonul de Selectare** sau apăsați pe butoanele **SUS/JOS** pentru a alege numărul presetat și apăsați butonul **OK** pentru a confirma opțiunea.

Radio FM

Intervalul de frecvență FM este de la 87.5 MHz la 108.0 MHz.

Extindeți antena pentru a obține cel mai puternic semnal pentru fiecare post.

Utilizați butoanele **STÂNGA/DREAPTA** sau roțiți **butonul de Selectare** pentru a alege <**FM**> pe ecranul Meniu, apoi apăsați butonul **OK** pentru a accesa ecranul FM.

Reglarea posturilor

Apăsăți butoanele **SUS/JOS (UP/DOWN)** de pe telecomandă sau de pe panoul frontal pentru a regla frecvența în sus sau în jos în trepte de **0.05 MHz**.

Apăsăți butoanele **STÂNGA/DREAPTA (LEFT/RIGHT)** de pe telecomandă pentru a reveni la stația anterioară sau a trece la stația următoare cu cea mai puternică recepție. După găsirea unui post, scanearea se oprește în mod automat.

Apăsăți butonul **OK** și pe ecran se va afișa mesajul „**Scaneare automată**”. Dacă alegeți „**DA**”, radioul va începe să caute posturi de la frecvențe joase la frecvențe înalte. Și va salva posturile pe care le-a găsit în mod automat.

Memorarea posturilor

Pentru a salva postul preferat, trebuie mai întâi să ascultați acest post, să apăsați lung butonul **FAV** de pe telecomandă, apoi să utilizați butoanele **SUS/JOS** sau să roțiți **butonul de Selectare** pentru a alege cifra pe care doriți să o salvați. Apoi apăsați butonul **OK** pentru a confirma presetarea.

Accesarea din memorie a unui post presetat

1. Apăsăți butoanele **ANTERIOR / URMĂTOR (PREVIOUS/NEXT)** de pe telecomandă pentru a reveni la postul anterior sau a trece la următorul post presetat.
2. Sau puteți apăsa butonul **FAV** pentru a selecta postul memorat și apăsați butonul **OK** pentru a asculta.

DAB/DAB+

Utilizați butoanele **STÂNGA / DREAPTA** sau rotiți **butonul de Selectare** pentru a alege <**DAB/DAB+**> pe ecranul Meniu, apăsați butonul **OK** pentru a accesa modul DAB/DAB+.

La prima utilizare a DAB pe radio, va începe scanarea posturilor DAB și va apărea pe ecran va apărea mesajul „**Scanare**”. Va afișa câte stații au fost găsite pe măsură ce căutarea continuă.

Odată ce toate posturile disponibile au fost găsite, ecranul radio va afișa posturile disponibile. Utilizați **butonul de Selectare** pentru a naviga și a evidenția postul ales. Selectați postul apăsând pe butonul **OK**.

Când ați selectat un post, ecranul va afișa postul și va începe redarea.

Pentru a alege postul anterior sau următor, apăsați butonul **ANTERIOR** sau **URMĂTOR** pentru a naviga corespunzător.

Când apare pe postul ales, apăsați butonul **INFO** pentru a afișa informațiile despre post. Ecranul va derula automat informațiile și va afișa genul, MHz, melodia redată, KHz și Kbps.

Pentru a reveni la listă pentru a naviga manual, apăsați butonul spre **STÂNGA** pentru a reveni la listă.

Presetarea posturilor preferate DAB / DAB +

Când ați găsit postul dorit, țineți apăsat butonul **FAV** pentru câteva secunde pentru a accesa ecranul „**Adăugare la Favorite**”. Rotiți **butonul de Selectare** pentru a alege numărul presetat și apăsați butonul **OK** pentru a confirma.

În mod alternativ, când vă aflați în ecranul cu lista posturilor DAB, puteți evidenția postul ales și puteți ține apăsat butonul **FAV** pentru a urma indicațiile de mai sus.

Pentru a vizualiza stațiile dumneavoastră preferate prestabilite, apăsați butonul **FAV** și utilizați butoanele **SUS** sau **JOS** pentru a naviga lista presetată.

Centru de Informații

Utilizați butoanele **STÂNGA / DREAPTA** sau rotiți **butonul de Selectare** pentru a alege <**Centru de Informații**> în ecranul de Meniu, apăsați butonul **OK** pentru a accesa ecranul Centru de Informații.

Informații meteo: Pentru a selecta informațiile despre vreme pentru un loc dorit, selectați mai întâi continentul utilizând **butonul de Selectare** pentru a naviga și butonul **OK** pentru a confirma. După aceasta urmează țara și orașul.

Odată ce ați ales un oraș, vor fi afișate următoarele informații: temperatura curentă, imaginea simbolului vremii, intervalul de temperatură aproximativ pentru următoarele 5 zile.

Informații financiare: Selectați dintr-o serie de indici de pe piața de bursă din întreaga lume. Utilizați butonul

de Selectare pentru a naviga și butonul **OK** pentru a confirma.

Informații despre sistem: Vizualizați versiunea sistemului și informațiile despre conexiunea wireless. Dacă sunt selectate informații despre wireless, pot fi găsite informații precum puterea semnalului WIFI.

Operarea Aux

AUX-IN

Utilizați butoanele **STÂNGA / DREAPTA** sau rotiți **butonul de Selectare** pentru a alege <**AUX**> în ecranul Meniului, apăsați butonul **OK** pentru a accesa modul AUX.

Introduceți un cablu AUX în radio și conectați cablul la portul AUX-IN de pe spatele radioului. Începeți să redați fișiere audio de pe dispozitivul dumneavoastră; acestea ar trebui să se redea prin radio în modul AUX.

Line Out (Cască)

Pe panoul din spate al radioului, **mufa pentru căști** permite ascultarea fișierelor prin radioul dumneavoastră. Începeți redarea audio prin serviciul Radio prin Internet, Centru media, AUX sau Bluetooth.

Bluetooth

Utilizați butoanele **STÂNGA / DREAPTA** sau rotiți **butonul de Selectare** pentru a alege <**Bluetooth**> în ecranul Meniului, apăsați butonul **OK** pentru a accesa modul Bluetooth.

1. Accesați setările dispozitivului dumneavoastră pentru a vă conecta dispozitivul la radio prin Bluetooth.
2. Selectați numele „**SHARP DR-1470**” din lista de dispozitive identificate, afișată pe dispozitivul dumneavoastră. Odată conectat cu succes, de la radio se va auzi un sunet de „**Conectare**” iar pe ecran va apărea mesajul „**Bluetooth Conectat**”.
3. Selectați fișierul audio de pe dispozitivul dumneavoastră și redați.
4. Acum puteți asculta muzică de pe dispozitiv.
5. Pentru a deconecta dispozitivele, treceți la alt mod de redare sau dezactivați funcția Bluetooth din dispozitiv.

Configurare

Utilizați butoanele **STÂNGA / DREAPTA** sau rotiți **butonul de Selectare** pentru a alege <**Configurare**> din ecranul Meniului principal, apăsați butonul **OK** pentru a accesa setările de configurare.

Afișaj oră

Setați tipul de afișare a orei: Analog sau Digital.

Gestionarea fișierelor media

Setați funcția în modul Activare sau Dezactivare

Rețea

• Configurarea rețelei wireless

- În Setările rețelei, puteți configura o conexiune WIFI selectând opțiunea Configurarea rețelei wireless. Apoi, radioul va începe căutarea conexiunilor WIFI disponibile.
- Găsiți conexiunea WIFI și selectați-o cu ajutorul butonului **OK**. Pentru a introduce LITERE / NUMERE, utilizați **butonul de Selectare** sau apăsați butoanele **LETTER/NUMBER** până când este afișată cifra corectă. Apoi apăsați pe butonul spre **DREAPTA** pentru a trece la următoarea cifră. Apăsați pe butonul spre **STÂNGA** pentru a reveni la cifra anterioară. Odată finalizată configurarea, apăsați butonul **OK** pentru a confirma.
- Odată ce WIFI-ul este conectat, ecranul Meniului principal se va afișa și semnalul WIFI va apărea cu alb în colțul din stânga sus.

• Rețea Wireless (WPS PBC)

- Selectați această opțiune pentru a căuta conexiunea WIFI. După ce a fost selectată această opțiune, veți avea 120 de secunde pentru a apăsa pe butonul WPS de pe modemul dumneavoastră WIFI. Această acțiune va conecta WIFI-ul la radioul dumneavoastră, fără ca dumneavoastră să scrieți manual parola.

• Configurare manuală

- Puteți seta manual datele wireless: DHCP, Introducere SSID și Administrare.

• Verificare Rețea la pornire

- Setați funcția în modul Activare sau Dezactivare.

Dată & Oră

• Setați Data & Ora

• Setare manuală sau Detectare automată

- Există opțiunea de a seta manual ora și data, în loc să folosiți funcția de detectare automată pentru a configura aceste funcții. Rotiți **butonul de Selectare** sau apăsați butoanele cu numere pentru a introduce cifra dorită aferentă lunii. După ce cifra este corectă, apăsați pe butonul spre **DREAPTA** pentru a trece la setarea zilei. Continuați acest proces cu anul, ora și minutele. După ce configurarea manuală a fost finalizată

tă, apăsați butonul **OK** pentru a salva. Pentru a anula formatul datei și orei, puteți modifica aceste setări în meniul funcției „Dată și Oră”.

- **Setare format oră:** Pentru a seta formatul orei, aveți opțiunile de 12 ore sau de 24 de ore.
- **Setare format dată:** AAAA/LL/ZZ, ZZ/LL/AAAA, LL/ZZ/AAAA

Alarmă

Setare Alarmă 1 / Alarmă 2

- Pentru a seta o alarmă pe radioul dumneavoastră, accesați setările „Configurare” și navigați pentru a selecta „Alarmă” sau apăsați pe butonul **ALARMĂ (ALARM)** direct de pe telecomandă.
- După accesarea ecranului de Setare alarmă, selectați „Alarmă 1 (Oprire)” sau „Alarmă 2 (Oprire)” și selectați opțiunea „Pornire” pentru a activa alarma.
- Selectați „Repetare” pentru a alege regularitatea alarmei prin apăsarea butonului **OK**. Puteți alege între opțiunile: Zilnic, Unică sau puteți selecta zile individuale pentru activarea alarmei. Odată ce ați efectuat selecția, apăsați butonul spre **STÂNGA** pentru a reveni la celelalte setări de alarmă.
- Selectați „Oră” și rotiți **butonul de Selectare** pentru a evidenția ora alarmei. După ce ați stabilit orele dorite, apăsați butonul spre **DREAPTA** pentru a schimba minutele.
- Odată ce minutele au valoarea corectă, apăsați butonul spre **DREAPTA** pentru a stabili valorile „AM” sau „PM”, apoi apăsați butonul **OK** pentru a confirma și a reveni la setările alarmei.
- Acum navigați în jos și selectați „Sunet”, apăsând butonul **OK**. Acum puteți alege între Beep, melodie, Radio prin Internet, FM, sau DAB/DAB+.
- Dacă vă setați sunetul de alarmă ca Radio prin Internet, FM sau DAB / DAB +, atunci se va efectua navigarea posturilor preferate prestabilite. Selectați postul ales pentru alarmă apăsând butonul **OK**.
- Simbolul de alarmă va apărea pe ecranul principal.
- **Cum să anulați alarma**
 - Pentru a vă anula alarma, selectați „Alarmă” din Setările de configurare sau prin apăsarea butonului de **ALARMĂ** și selectați alarma pe care doriți să o dezactivați.
 - După selectarea alarmei, veți avea opțiunea de a o dezactiva sau de a o activa. Evidențiați opțiunea „Oprire” și apăsați butonul **OK** pentru a confirma.

NOTĂ: Modificați volumul alarmei accesând setarea

„Volum alarmă” din ecranul Setare alarmă..

Cum să opriți alarma în timp ce sună

Când sună alarma, apăsați butonul **ALARMĂ (ALARM)** sau **AȘTEPTARE (STANDBY)** de pe telecomandă pentru a opri alarma. Dacă ați setat o alarmă pentru a suna zilnic sau de mai multe ori, pictograma de alarmă va rămâne în continuare pe ecran.

Cum să puneți alarma pe modul AMĂNARE

Când sună alarma, apăsați orice buton, mai puțin **AȘTEPTARE** osau **ALARMĂ** pentru a opri sunetul și a pune alarma pe modul **AMĂNARE**. Funcția de AMĂNARE va face ca radioul să sune din nou după 5 minute.

NOTĂ: Opriți alarma în **AMĂNARE** prin apăsarea butonului **ALARMĂ** osau **AȘTEPTARE**.

Alarmă somn scurt

- După selectarea opțiunii „Alarmă” din Setările de configurare sau apăsarea butonului **ALARMĂ** de pe telecomandă, selectați „Alarmă somn scurt (Oprire)” - „NAP Alarm (Turn Off)”.
- Alegeți pentru câte minute doriți să setați alarma de somn scurt cu opțiunile: Oprire, 5 Minute, 10 Minute, 20 Minute, 30 Minute, 60 Minute, 90 Minute, 120 Minute.

Volum alarmă

- Modificați volumul alarmei rotind **butonul de Volum** sau butonul **STÂNGA / DREAPTA** pentru a-l schimba.
- După ce ați ales volumul corect de sunet, apăsați butonul **OK** pentru a confirma.

Temporizator

- În setările „Configurare”, selectați opțiunea pentru „Temporizator” și se va afișa un ecran cu 00:00.
- Pentru a crește numărul de secunde, apăsați pe butonul spre **DREAPTA**. Pentru a scădea numărul de secunde, apăsați pe butonul spre **STÂNGA**. Apăsați și țineți apăsată butoanele **STÂNGA / DREAPTA** pentru a naviga rapid prin cronometru.
- După ce ați ales valoarea corectă a cronometrului, confirmați-o apăsând butonul **OK**.

Limbă

Selectați limba aleasă din listă.

Ajustare luminozitate

- Pentru a seta luminozitatea radioului, mergeți la setările „Configurare” și selectați „Ajustare luminozitate”. Puteți alege modul „Economie de energie” sau „Pornire”.
- Selectați modul „Economie de energie” pentru a schimba unul dintre nivelurile dumneavoastră de luminozitate cu posibilitatea de a alege până la 20 de nivele. Când nu există activitate a radioului timp de 15 secunde, se va seta acest nivel de luminozitate mai scăzut până când se va apăsa pe un buton și se va activa setarea de „Pornire”.
- Selectați modul „Pornire” ca fiind cel mai luminos atunci când radioul este activ și în uz.
- Alternativ, puteți modifica două setări de luminozitate apăsând direct butonul de **AJUSTARE LUMINOZITATE (DIMMER)** de pe telecomandă sau direct de pe panoul frontal.

Afișaj

Alegeți afișajul ca fiind **Color** sau **Monocrom**.

Gestionarea energiei

Selectați această opțiune pentru a configura radioul să intre automat în modul de Așteptare după un timp prestabil de inactivitate sau dacă nu există semnal WIFI. Puteți selecta **5/15/30 minute** pentru intrarea în modul de Așteptare, sau puteți selecta „Oprire” pentru a ignora această funcție.

Temporizator timp de inactivitate

- Pentru a seta un temporizator pentru timpul de inactivitate, mergeți la setările de „Configurare” și selectați „Temporizator inactivitate”. Puteți alege din opțiunile **Oprire, 15, 30, 60, 90, 120, 150, 180** de minute.
- Alternativ, puteți apăsa în mod repetat butonul **INACTIVITATE (SLEEP)** de pe telecomandă pentru a comuta între orele de inactivitate din partea dreaptă sus a ecranului. Puteți alege între **15, 30, 60, 90, 120, 150, 180** de minute.
- Odată ce ați selectat temporizatorul de inactivitate, valoarea temporizatorului și o imagine de inactivitate vor apărea în partea dreaptă sus a ecranului.

Buffer

Configurați ora pentru buffer pentru redarea muzicii: **2 / 4 / 8 secunde**.

Vreme

- **Setați locația:** Alegeți și introduceți locația.
- **Unitate temperatură:** Alegeți temperatura preferată dintre „Celsius” și „Fahrenheit”.
- **Afișaj pe ecranul Așteptare:** Alegeți opțiunea „Oprit” sau „Pornit” pentru a dezactiva sau a activa afișarea prognozei meteo pe ecranul de Așteptare. Când activați afișarea prognozei meteo, acesta va fi afișat pe ecranul de Așteptare la fiecare 10 secunde.

Setare FM

- **Mod:** Puteți seta modul „Mono” sau modul „Stereo”.
- **Limită:** Selectați setarea de limită (limită căutare / limită stereo).
- (Limita este setată la comutarea automată între modurile mono și stereo. Când vă aflați într-un loc cu recepție slabă, sistemul va trece automat pe modul mono pentru a reduce zgomotul de fond al postului, astfel încât să poată fi ascultat mai clar.)

Setare Radio local

Configurați manual locația pentru Radioul local, în loc să permiteți detectarea automată a radioului.

Setare Mod redare

Selectați modul de redare pentru Centrul Media: Oprit, Repetare toate, Repetare una, Amestecare.

Dispozitiv

Numele prestabilii pentru DLAN este „AirMusic”. Puteți redenumi dispozitivul pentru configurarea DLAN.

Taste

În această interfață de setare puteți selecta „Alarmă”, „Ajustare luminozitate”, „Egalizator”, „Radio local”, „Mod”, „Presetare”, „Temporizator de inactivitate” și „Temporizator” pentru a confirma funcția butonului **MOD (MODE)** de pe panoul frontal și telecomandă.

Egalizator

EQ-ul prestabilite este normal. Puteți schimba pe Flat, Jazz, Rock, Coloane sonore, Clasic, Pop, Știri, sau My EQ.

Reluare la pornire

Porniți funcția pentru ca radioul să reia redarea atunci când este pornit. În schimb, ecranul va rămâne în meniul principal.

Actualizare Software

Se va afișa dacă este disponibilă o actualizare de software pentru radio. Dacă o actualizare de software este disponibilă, selectați pentru inițierea actualizării.

Revenire la setări prestabilite

Selectați această opțiune pentru a reseta radioul și a anula toate setările și presetările efectuate. Confirmați că doriți să resetați unitatea și setările acesteia selectând „DA”.

Soluție

- Radioul va încerca să regleze din nou postul.
- Efectuați o scanare.

Lipsă alimentare electrică

Cauză

- Adaptorul nu este conectat la priza de perete.

Soluție

- Asigurați-vă că adaptorul este conectat.

Depanare

Acest produs nu conține componente ce pot fi reparate de către utilizator. În cazul unei defecțiuni, contactați producătorul sau departamentul de service autorizat. Expunerea componentelor din interiorul dispozitivului vă poate pune viața în pericol. Garanția oferită de producător nu se extinde la defecțiuni cauzate ca urmare a reparațiilor efectuate de terți neautorizați.

Nu se emite sunet

Cauză

- Volumul nu este dat tare.

Soluție

- Reglați butonul principal de volum.

Nu există sunet la conectarea Bluetooth

Soluție

- Verificați dacă dispozitivul extern necesită parola „0000” pentru a porni.

WiFi-ul nu se conectează

Soluție

- Asigurați-vă că modul WIFI este selectat în setări și că este introdusă parola corectă pentru modem-ul WIFI.

Sunet static

Cauză

- Recepția semnalului este prea slabă.

Soluție

- Reglați antena sau mutați unitatea într-o locație cu semnal mai puternic.

Sunetul este distorsionat

Cauză

- Volumul este prea mare

Soluție

- Micșorați volumul

Postul dorit nu este găsit

Cauză

- Semnal slab

Soluție

- Utilizați funcția de reglare manuală.

Fără funcții DAB

Cauză

- Nu există acoperire DAB în zona dvs.
- Recepție slabă

Soluție

- Reglați poziția antenei.

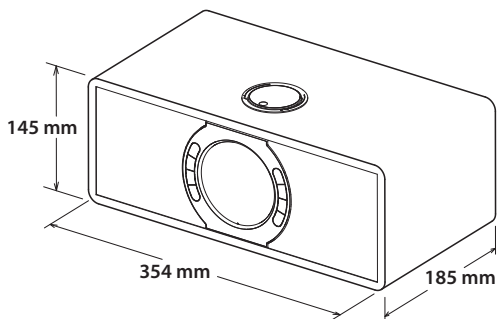
Ecranul este gol.

Cauză

- Acest lucru poate apărea în cazul în care stația de emisie schimbă eticheta unui serviciu sau elimină o etichetă când postul este reglat.

Specificații tehnice

Model	DR-I470
Putere de ieșire	2x7W (RMS)
Consum de energie (max.)	28W
Consum de energie (standard)	8W
Consum de energie în Standby	<1W
Frecvență FM	87.5-108MHz
Frecvență DAB+	174.928-239.200MHz
Bluetooth	
Versiune	V2.1+ EDR
Benzi de frecvență	2402 MHz ~ 2480 MHz
Putere maximă transmisă	4dBm
Adaptor de alimentare	
Nume model:	FJ-SW1202000N
Intrare:	AC 100-240V ~ 50/60Hz, 0.6A Max
Ieșire:	DC 12V =2000mA
Producător:	SHENZHEN FU JIA APPLIANCE CO., LTD B1,Xujing chang Industrial Park, Haoye Road, Fuyong 518103 Shenzhen, China
WIFI	
Conexiunea WIFI:	802.11 b/g/n; STA/AP/AP Client



KG 3,16kg

Важные инструкции по технике безопасности

Следует внимательно прочитать настоящие правила техники безопасности и соблюдать следующие меры предосторожности до начала работы устройства:



Восклицательный знак в равностороннем треугольнике уведомляет пользователя о важных инструкциях по эксплуатации и техническому (сервисному) обслуживанию, которые содержатся в сопроводительной документации устройства.



Используйте только указанный в руководстве пользователя источник питания.



Данный символ обозначает, что изделие подлежит утилизации в соответствии с положениями о защите окружающей среде и не пригоден для утилизации с обычным бытовым мусором.



AC Напряжение перем. тока



DC Напряжение пост. тока



Оборудование класса II



Только для использования в помещениях



Обозначение уровня энергоэффективности VI



Полярность силового разъема постоянного тока

Для предотвращения пожара следует держать свечи и иные источники открытого огня на расстоянии от данного продукта.



- Вы всегда должны иметь свободный доступ к сетевой вилке.
- Данное изделие не содержит компонентов, техническое обслуживание которых пользователь может осуществлять самостоятельно. В случае возникновения неисправностей следует связаться с производителем или представителем авторизованного сервисного центра. Контакт с некоторыми частями внутри устройства может представлять опасность для жизни. Гарантия производителя не распространяется на неисправности, возникшие вследствие проведения ремонта неуполномоченными третьими лицами.
- Не используйте устройство сразу после распаковки. Перед использованием дождитесь, пока температура устройства не достигнет значения комнатной.
- Данное изделие предназначено для использования только в условиях умеренного климата (не тропического/субтропического).
- Установите изделие на ровную, устойчивую поверхность, не подверженную воздействию вибраций.
- Убедитесь в том, что изделие и его компоненты не нависают над краем мебели, на которую оно установлено.
- Во избежание риска возгорания, поражения электрическим током или повреждения данного изделия не подвергайте его воздействию прямых солнечных лучей, пыли, дождя и влаги. Не допускайте попадания на изделие капель или брызг жидкостей, не ставьте на изделие или рядом с ним наполненные жидкостью емкости.
- Не ставьте на устройство наполненные жидкостью емкости, например вазы.
- Ну устанавливайте рядом с ним источники тепла, например радиаторы, обогреватели, печи или другие устройства (включая усилители), вырабатывающие тепло.
- Не устанавливайте изделие в местах с повышенным уровнем влажности и плохой вентиляцией.
- Оставьте вокруг устройства свободный зазор минимум 5 см для обеспечения надлежащей вентиляции. Не закрывайте вентиляционные отверстия данного проекта. Убедитесь в том, что вентиляционные отверстия не закрывают другие предметы, например газеты, скатерти, шторы и т. д.
- НЕ ПОЗВОЛЯЙТЕ никому, особенно детям, вставлять посторонние предметы в порты, слоты и прочие отверстия в корпусе устройства, поскольку это может привести к поражению электрическим током и летальным исходом.
- Бури представляют опасность для всех электрических устройств. Удар молнии в сетевой или воздушный провод может привести к повреждению устройства, даже если оно выключено. Перед грозой необходимо отключить все кабели и провода.

Техническое обслуживание

- Прежде чем приступать к очистке устройства, отключите шнур питания от источника энергии.
- Для очистки внешней поверхности устройства используйте мягкую и чистую салфетку. Никогда не очищайте еще с помощью химических или моющих средств.

Адаптер питания

- Чтобы отключить устройство от сети питания, извлеките провод из сетевой розетки.
- Используйте только входящий в комплект адаптер питания, поскольку невыполнение данного условия может привести к возникновению угрозы безопасности и/или повреждению устройства.

Батарейки

- Вставляя батарейки, обращайте внимание на полярность.
- Не подвергайте батарейки воздействию высоких температур и не размещайте их в местах, где возможно быстрое повышение температуры,



Cd

Предупреждение:

- В процессе использования устройства всегда соблюдайте основные правила техники безопасности, особенно в присутствии детей.
- Дети должны находиться под надзором, чтобы они не могли играть с устройством.
- Не допускайте повреждения шнура питания, не ставьте на него тяжелые предметы, не растягивайте и не скручивайте его. Также не подсоединяйте к нему удлинительные кабели. Повреждение шнура питания может привести к возгоранию или поражению электрическим током.
- Если шнур питания поврежден, его во избежание возникновения опасных ситуаций должен заменить производитель, сервисный агент или другие лица аналогичной квалификации.
- Устройство нужно подключить к розетке 100-240В перем. тока, 50/60Гц. Использование более высокого напряжения может привести к нарушению функционирования устройства и даже возгоранию.
- Если вилка устройства не подходит к розетке, не применяйте силу, чтобы вставить ее.
- Прежде чем отключать устройство от источника питания, выключите его.
- Не подключайте и не отключайте шнур питания мокрыми руками. Это может привести к поражению электрическим током.
- Отключите шнур питания, если устройство не используется в течение длительного времени.

например, вблизи огня или в области воздействия прямых солнечных лучей.

- Не подвергайте батарейки воздействию чрезмерного лучистого тепла, не бросайте их в огонь, не разбирайте их и не пытайтесь повторно зарядить севшие батарейки. Они могут протечь или взорваться.
- Никогда не используйте разные батарейки или комбинацию старых и новых батареек.
- Если пульт дистанционного управления не будет использоваться в течение длительного периода (свыше одного месяца), во избежание протекания батареек выньте их из пульта.
- Если батарейки протекли, вытрите внутреннюю часть отсека для батареек и замените их новыми.
- Используйте только указанные батарейки.

Не допускайте проглатывания батареек, опасность химического ожога

- Проглатывание батареек может привести к возникновению тяжелых внутренних ожогов уже в течение 2 часов и смерти. Держите новые и использованные батарейки в недоступном для детей месте. Если не получается надежно закрыть отсек для батареек, прекратите использование изделия и держите его в недоступном для детей месте. В случае возникновения подозрений относительно проглатывания батареек или попадания их в какую-либо часть организма немедленно обратитесь к врачу.

Утилизация оборудования и батареек

- Не выбрасывайте данное изделие или батарейки вместе с несортированными городскими отходами. Обратитесь на специальный пункт приема отходов электронного и электрического оборудования для последующей утилизации в соответствии с местными законодательными предписаниями. Так вы вносите свой вклад в сохранение ресурсов и защиту окружающей среды.
- В большинстве стран ЕС утилизация батареек регулируется законодательными положениями. Для получения более подробной информации обратитесь к продавцу или местные органы власти.



- Приведенный выше символ наносится на электрическое и электронное оборудование (или их упаковку) в качестве напоминания.
- Пользователи обязаны сдавать отработавшее оборудование и батарейки в существующие пункты возврата.

Заявление о соответствии требованиям для получения маркировки CE:

- Настоящим компания UMC Poland sp. z o.o. заявляет, что данное аудиоустройство соответствует обязательным требованиям и прочим важным положениям Директивы ЕС по радиооборудованию 2014/53/EU. Полный текст Декларации о соответствии стандартам ЕС можно найти по ссылке <http://www.sharpcosumer.eu/documents-of-confirmitiy>

Торговые марки:



Текстовый символ *Bluetooth*® и логотипы являются зарегистрированными торговыми марками Bluetooth SIG, Inc.



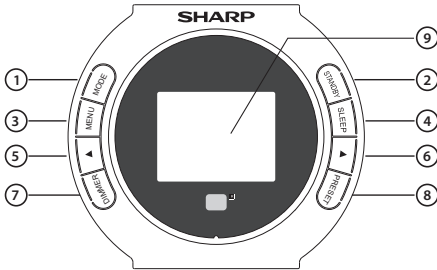
Логотип Wi-Fi CERTIFIED является сертификационным знаком Wi-Fi Alliance.

Содержимое коробки:

- 1x основной блок DR-402
- 1x Пульт дистанционного управления
- 1x адаптер питания
- 1x руководство пользователя
- 1x разъем AC для адаптера питания (Великобритания)
- 1x разъем AC для адаптера питания (ЕС)

Панели и элементы управления

Передняя панель

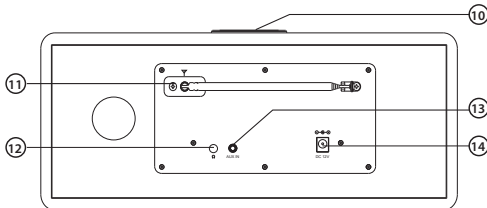


- MODE (Режим)** – нажмите, чтобы изменить режим: DAB/DAB+, FM, Интернет-радио, Bluetooth, AUX IN. При помощи опции <Кнопка> в меню **КОНФИГУРАЦИЯ** данной кнопке также можно присвоить другую функцию: Будильник, Подсветка, Эквалайзер, Местные радиостанции, Режим, Предустановка, Таймер выключения, Таймер.

ПРИМЕЧАНИЕ. ПО УМОЛЧАНИЮ ДАННОЙ КНОПКЕ ПРИСВОЕНА ФУНКЦИЯ ИЗМЕНЕНИЯ РЕЖИМА.

- STANDBY (Режим ожидания)** – нажмите эту кнопку, чтобы включить устройство или перейти в режим ожидания.
- MENU (Меню)** – Нажмите эту кнопку, чтобы войти в интерфейс настройки меню.
- SLEEP (Сон)** – нажмите несколько раз, чтобы установить нужное время выключения.
- ◀** – на странице настройки используйте эту кнопку для перехода к предыдущему выбранному элементу. При прослушивании радио коротким нажатием этой кнопки можно понижать частоту с шагом 0,05 МГц.
- ▶** – на странице настройки используйте эту кнопку для перехода к следующему выбранному элементу. При прослушивании радио коротким нажатием этой кнопки можно повышать частоту с шагом 0,05 МГц.
- DIMMER (Подсветка)** – нажмите, чтобы отрегулировать интенсивность задней подсветки.
- PRESET (Предустановка)** – при прослушивании Интернет-радио нажмите эту кнопку, чтобы перейти на страницу «Радиостанция / Музыка».
- ЭКРАН ДИСПЛЕЯ** – используется для вывода информации.

Задняя панель

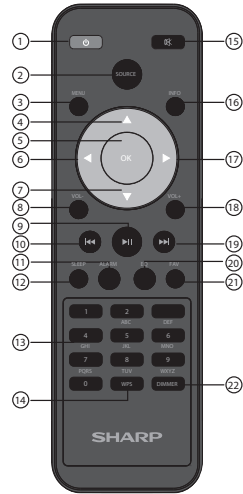


- 10. Регулятор громкости / поворотный регулятор / кнопка ОК** – в

процессе воспроизведения поворачивайте регулятор, чтобы настроить уровень громкости. В процессе настройки меню поворачивайте регулятор для выбора опций, нажмите на регулятор, чтобы подтвердить выбор.

- 11. FM-антенна** – для приема FM-сигнала.
- 12. Разъем для наушников** – разъем для наушников 3,5 мм.
- 13. Входной разъем AUX IN** – подключите аудиокабель 3,5 мм для воспроизведения музыки с внешнего источника аудиосигнала.
- 14. Вход питания DC** – 12 В пост. тока

Пульт дистанционного управления



- 1. РЕЖИМ ОЖИДАНИЯ** – нажмите кнопку **РЕЖИМ ОЖИДАНИЯ** на пульте ДУ, чтобы «разбудить» устройство или перевести его в режим ожидания.
- SOURCE** – Нажмите кнопку SOURCE, чтобы изменить режимы воспроизведения: DAB / DAB +, укв, AUX IN, Bluetooth, интернет-радио.
Примечание: эту кнопку можно использовать в качестве другой функции, установив ее из пункта <кнопка> в **КОНФИГУРАЦИЯ**: Будильник, подсветка, эквалайзер, местные Радиостанция, Режим, Предустановка, Таймер Выключения, таймер
- MENU (Меню)** – нажмите кнопку **MENU** на пульте ДУ или на передней панели, чтобы открыть страницу меню, нажимайте кнопки **НАПРАВЛЕНИЯ** или поворачивайте регулятор для перехода между пунктами меню: Интернет-радио, Медиацентр, УКВ, DAB/DAB+, Информационный центр, AUX, Bluetooth, Конфигурация, Местные радиостанции.
- ВВЕРХ / 5. ОК / 6. ВЛЕВО / 7. ВНИЗ / 17. ВПРАВО** – используйте кнопки **ВВЕРХ** и **ВНИЗ** или поворотный регулятор для поиска элементов, а затем нажмите кнопку **ОК**, чтобы подтвердить выбор.
- 8. VOL- (Уменьшение громкости) / 18. VOL+ (Увеличение громкости)** – чтобы отрегулировать громкость, нажимайте кнопки **VOL+** или **VOL-** или поворачивайте регулятор громкости.
- 10. НАЗАД / 19. ВПЕРЕД** – в процессе воспроизведения музыки используйте кнопку **НАЗАД** или **ВПЕРЕД** для перехода к предыдущей или следующей дорожке. При прослушивании радио, нажимайте кнопку **НАЗАД** или **ВПЕРЕД** для перехода к предыдущей или следующей любимой станции.
- 9. ВОСПРОИЗВЕДЕНИЕ/ПАУЗА** – нажмите кнопку **ВОСПРОИЗВЕДЕНИЕ/ПАУЗА**, чтобы остановить воспроизведение, нажмите ее еще раз, чтобы возобновить его.
- ALARM (Будильник)** – нажмите кнопку **ALARM**, чтобы просмотреть и настроить опции будильника.
- SLEEP (Сон)** – нажмите кнопку **SLEEP** несколько раз, чтобы выбрать нужное время выключения.
- ЦИФРЫ/БУКВЫ** – используйте цифры и буквы для ввода в процессе настройки меню.

14. **WPS** – WPS Параметры

15. **ОТКЛЮЧЕНИЕ ЗВУКА** – нажмите кнопку **ОТКЛЮЧЕНИЕ ЗВУКА**, чтобы выключить звук, нажмите ее еще раз или нажимайте кнопки VOL+/- на пульте ДУ или же поворачивайте регулятор громкости на верхней панели, чтобы снова включить его.

16. **INFO (Информация)** – нажмите кнопку **INFO**, чтобы просмотреть информацию о станции.

20. **EQ (Эквалайзер)** – нажмите кнопку **EQ** несколько раз, чтобы выбрать нужный режим: Нормальный, Плоский, Джаз, Рок, Фонограммы, Классический, Поп, Новости, Му EQ.

21. **FAV (Избранное)** – нажмите и удерживайте кнопку **FAV**, чтобы сохранить станцию. Нажмите кнопку **FAV** коротким нажатием, чтобы просмотреть список сохраненных любимых станций.

22. **DIMMER (Подсветка)** – нажимайте кнопку **DIMMER**, чтобы отрегулировать интенсивность задней подсветки

УСТАНОВКА ИЛИ ЗАМЕНА БАТАРЕЕК ПУЛЬТА ДУ

1. Нажмите на фиксатор крышки отсека для батареек на задней панели пульта ДУ в направлении, указанном рельефной стрелкой.
2. Одновременно с нажатием на фиксатор откройте крышку отсека для батареек.
3. Вставьте две батарейки, соблюдая полярность +-, как показано на рисунке. Используйте для замены только батарейки того же типа.
4. Установите крышку отсека для батареек на место и зафиксируйте ее.

Запуск Интернет-радио

Подключите адаптер питания к разъему DC IN. На экране появится надпись «**Добро пожаловать**».

Убедитесь в том, что антенна выдвинута на максимально возможную длину. Это обеспечит наилучшее качество сигнала.

При первом использовании после вывода приветствия можно выбрать язык, воспользовавшись **поворотным регулятором** для прокрутки и нажав кнопку **OK** для подтверждения.

После настройки языка на дисплее появляется надпись «**Запустить проверку сети после включения?**». Вы можете выбрать опцию «**ДА**» или «**НЕТ**», чтобы включить или выключить проверку сети при запуске устройства.

Настройка WiFi вручную

После настройки на экране появляется сообщение «**Настроить конфигурацию сети?**».

- Если вы выбираете опцию «**ДА**», ваш радиоприемник начинает поиск расположенных поблизости сетей для соединения. После сканирования вы должны выбрать сеть, к которой хотите подключиться. Введите буквы/цифры, используйте для этого **поворотный регулятор** или нажимайте **кнопки с ЦИФРАМИ/БУКВАМИ**, пока на экране не отобразится нужная цифра, а затем нажмите кнопку **ВПРАВО**, чтобы перейти к следующей цифре. По завершении нажмите кнопку **OK** для подтверждения.
- Если вы выбираете опцию «**НЕТ**», вы можете выполнить настройку позже через меню настройки конфигурации.

Беспроводная сеть (WPS PBC)

Если на этапе «**Настроить конфигурацию сети?**» вы выбираете опцию «**ДА (WPS)**», ваш радиоприемник начинает поиск соединений WiFi.

В процессе выбора у вас будет 120 секунд, чтобы нажать кнопку **WPS** на вашем WiFi-модеме. Так можно подключить WiFi к радиоприемнику, не вводя пароль вручную.

WiFi-соединение установлено!

После установления WiFi-соединения путем ввода пароля вручную или посредством WPS откроется страница главного меню, в левом углу которой будет отображен белый символ WiFi. Настройка Интернет-радио завершена!

Интернет-радио

При помощи кнопок **ВЛЕВО/ПРАВО** или **поворотного регулятора** выберите пункт **<Интернет-радио>** на странице меню, нажмите **OK** для входа. Меню содержит несколько опций.

Избранное: Здесь сохраняются ваши любимые станции для простого прослушивания. Для перехода к списку любимых станций можно просто нажать кнопку **FAV**.

Радиостанция/Музыка: Выберите эту опцию для поиска Интернет-

радиостанций по следующим категориям: лучшие 20 по всему миру, жанр, страна/город, основные. Найдите станции в соответствующей категории и подтвердите выбор

нужной Интернет-станции нажатием кнопки **OK**.

Местные радиостанции: Радиоприемник настроен на автоматический поиск лучших 10 станций в вашей стране, поиск всех станций, а также поиск по различным жанрам на основании расположенных в алфавитном порядке категорий. Выберите соответствующую категорию, нажмите кнопку **OK** и продолжайте поиск, пока не найдете нужную станцию.

Радио для сна: Выберите различные расслабляющие композиции.

История: Осуществляйте поиск по последним станциям, которые вы слушали.

Сервис: Поиск радиостанций и добавление новых радиостанций.

- Вы можете использовать кнопки с **БУКВАМИ/ЦИФРАМИ** для поиска радиостанции.
- Чтобы добавить новую радиостанцию, выделите выбранный символ при помощи кнопок с **БУКВАМИ/ЦИФРАМИ** и нажмите кнопку **ВПРАВО** для перехода к следующему символу. Чтобы вернуться к предыдущему символу, выделите его, нажав кнопку **ВЛЕВО**. Нажмите кнопку **OK** для поиска Интернет-станции.

Сохранение любимых Интернет-радиостанций
Обнаружив нужную станцию, нажмите и удерживайте кнопку **FAVOR** для перехода на страницу настроек

«**Добавить в Избранное**». Поворачивайте **поворотный регулятор** или нажимайте кнопки **ВВЕРХ/ВНИЗ**, чтобы выбрать номер предварительно настроенной станции, и нажмите кнопку **OK** для подтверждения.

FM-радио

Диапазон FM-частоты (УКВ) составляет от 87,5 МГц до 108,00 МГц. Выдвиньте антенну, чтобы найти самый сильный сигнал для каждой станции.

При помощи кнопок **ВЛЕВО/ВПРАВО** или поворотного регулятора выберите опцию **<УКВ>** на странице меню, а затем нажмите кнопку **OK** для перехода на страницу УКВ.

Настройка станций

Нажимайте кнопки **ВВЕРХ/ВНИЗ** на пульте ДУ или на передней панели для повышения или понижения частоты с шагом **0,05 МГц**.

Используйте кнопки **ВЛЕВО/ВПРАВО** на пульте ДУ для перехода к предыдущей или следующей станции с самым сильным сигналом. После обнаружения станции поиск автоматически прекращается.

Нажмите кнопку **OK**, на экране появится сообщение «**Автоматический поиск**». Если вы выберете «**ДА**», радиоприемник начнет поиск станций с низкой до высокой частоты. Найденные станции автоматически сохраняются.

Сохранение станций

Чтобы сохранить любимую станцию, сначала включите ее, нажмите и удерживайте кнопку **FAV** на пульте ДУ, затем при помощи кнопок **ВВЕРХ/ВНИЗ** или **поворотного регулятора** выберите цифру, под которой вы хотите сохранить станцию. Нажмите кнопку **OK** для подтверждения.

Выбор сохраненной станции

1. Нажимайте кнопки **НАЗАД/ВПЕРЕД** на пульте ДУ для перехода к предыдущей или следующей предварительно настроенной станции.
2. Или нажмите кнопку **FAV**, чтобы выбрать сохраненную станцию, нажмите кнопку **OK** для воспроизведения.

DAB/DAB+

При помощи кнопок **ВЛЕВО/ВПРАВО** или **поворотного регулятора** выберите опцию **<DAB/DAB+>** на странице меню, а затем нажмите кнопку **OK** для перехода в режим DAB/DAB+.

При первом использовании DAB ваш радиоприемник начнет поиск станций DAB, а на экране появится сообщение «**Поиск**». На дисплее будет выведено количество найденных по мере поиска станций.

После обнаружения всех доступных станций на дисплее радиоприемника будет отображен список найденных станций. При помощи **поворотного регулятора** найдите и выделите нужную

станцию. Выберите станцию нажатием кнопки **ОК**.

Выбранная станция будет отображена на дисплее, а радиоприемник начнет воспроизведение.

Чтобы выбрать предыдущую или следующую станцию, нажимайте кнопку **НАЗАД** или **ДАЛЕЕ** для соответствующего перехода.

Выделите нужную станцию, нажмите кнопку **INFO**, чтобы отобразить информацию о ней. Информация будет автоматически прокручиваться на дисплее, а на экране будут отображены такие данные, как жанр, частота в МГц, композиция, которая воспроизводится, частота в кГц и скорость передачи в кбит/с.

Чтобы вернуться к списку для прокрутки вручную, нажмите на кнопку **ВЛЕВО**.

Предварительная настройка любимых станций DAB/DAB+

Обнаружив нужную станцию, нажмите и удерживайте кнопку **FAV** в течение нескольких секунд для перехода на страницу **«Добавить в Избранное»**. При помощи **поворотного регулятора** выберите номер предварительно настроенной станции и нажмите **ОК** для подтверждения.

Кроме того, находясь на странице списка станций DAB, вы можете выделить нужную станцию, нажать и удерживать кнопку **FAV**, а затем выполнить описанные выше действия.

Для просмотра предварительно настроенных любимых станций нажмите кнопку **FAV** и воспользуйтесь кнопкой **ВВЕРХ** или **ВНИЗ** для прокрутки списка предустановки.

Информационный центр

При помощи кнопок **ВЛЕВО/ВПРАВО** или **поворотного регулятора** выберите опцию **«Информационный центр»** на главной странице и нажмите **ОК** для перехода на страницу информационного центра.

Информация о погоде: Чтобы просмотреть информацию о погоде в том или ином регионе, сначала выберите континент при помощи **поворотного регулятора** и нажмите кнопку **ОК**. Затем выберите страну и город.

После этого на экране будет отображена следующая информация: текущая температура, символ погоды, приблизительный диапазон погоды на следующие 5 дней.

Финансовая информация: Просматривайте индексы фондового рынка по всему миру. Воспользуйтесь

поворотным регулятором для прокрутки и нажмите **ОК** для подтверждения.

Системная информация: Просмотр информации о версии системы и состоянии беспроводного соединения. В качестве информации о беспроводном соединении выводятся такие данные, как, например, сила сигнала WiFi.

Использование AUX

AUX-IN

При помощи кнопок **ВЛЕВО/ВПРАВО** или **поворотного регулятора** выберите опцию **«AUX»** на странице меню, а затем нажмите кнопку **ОК** для перехода в режим AUX.

Подключите к радиоприемнику кабель AUX через разъем AUX-IN на задней панели. Начните воспроизведение с устройства, в режиме AUX радиоприемник будет проигрывать выбранную композицию.

Линейный аналоговый стереовыход (наушники)

На задней панели радиоприемника имеется **разъем для наушников**, который позволяет слушать на нем аудио. Начните воспроизведение аудио с выбора режима «Интернет-радио», «Медиацентр», AUX или Bluetooth.

Bluetooth

При помощи кнопок **ВЛЕВО/ВПРАВО** или **поворотного регулятора** выберите опцию **«Bluetooth»** на странице меню, а затем нажмите кнопку **ОК** для перехода в режим Bluetooth.

1. Перейдите в настройки своего устройства, чтобы подключить его к радиоприемнику посредством Bluetooth.
2. Выберите из списка на устройстве **«SHARP DR-I470»**. После успешного соединения радиоприемник выводит звуковой сигнал **подключения**, а на экране появляется сообщение **«Соединение Bluetooth установлено»**.
3. Выберите на своем устройстве нужную композицию и начните воспроизведение.
4. Теперь вы можете слушать музыку с вашего устройства.
5. Чтобы разорвать соединение, перейдите в другой режим воспроизведения или выключите функцию Bluetooth на своем устройстве.

Конфигурация

При помощи кнопок **ВЛЕВО/ВПРАВО** или **поворотного регулятора** выберите опцию **«Конфигурация»** на странице меню, а затем нажмите кнопку **ОК** для перехода на страницу настройки конфигурации.

Отображение времени

Выберите режим отображения времени: аналоговый или цифровой.

Управление my media U

Включите или выключите функцию

Сеть

- **Конфигурация беспроводной сети**
 - На странице настроек сети можно настроить параметры WiFi-соединения, выбрав опцию «Конфигурация беспроводной сети». Радиоприемник начнет поиск доступных WiFi-соединений.
 - Найдите нужное WiFi-соединение и выберите его, нажав кнопку **ОК**. Для ввода букв/цифр воспользуйтесь **поворотным регулятором** или нажимайте кнопки с **БУКВАМИ/ЦИФРАМИ**, пока на дисплее не будет отображена нужная цифра. Затем нажмите кнопку **ВПРАВО**, чтобы перейти к следующей цифре. Нажмите кнопку **ВЛЕВО**, чтобы вернуться к предыдущей цифре. По завершении нажмите кнопку **ОК** для подтверждения.
 - После подключения к сети WiFi на дисплее появится страница главного меню с белым символом сигнала WiFi в левом верхнем углу.
- **Беспроводная сеть (WPS PBC)**
 - Выберите эту опцию для поиска WiFi-соединения. В процессе выбора у вас будет 120 секунд, чтобы нажать кнопку WPS на вашем WiFi-модеме. Так можно подключить WiFi к радиоприемнику, не вводя пароль вручную.
- **Настройка вручную**
 - Вы можете настроить беспроводную передачу данных вручную: DHCP, ввод SSID и «Управление».
- **Проверка сети при включении**
 - Включите или выключите функцию

Дата и время

- **Установить дату и время**
 - **Ручная настройка или Автообнаружение**

Вы можете воспользоваться опцией ручной настройки даты и времени вместо функции автообнаружения. При помощи **поворотного регулятора** или кнопок с цифрами введите нужную цифру для настройки месяца. Установив соответствующую цифру, нажмите кнопку **ВПРАВО**, чтобы перейти к настройке дня. Аналогичным образом установите год, часы и минуты. По завершении ручной настройки нажмите кнопку **ОК** для ввода. Чтобы отменить формат даты и времени, измените настройки в меню «Дата и время».
- **Установить формат времени:** Установите 12- или 24-часовой формат отображения времени.
- **Установить формат даты:** ГГГГ/ММ/ДД, ДД/ММ/ГГГГ, ММ/ДД/ГГГГ

Будильник

- **Настройка будильника 1 / будильника 2**
 - Чтобы установить будильник на радиоприемнике, перейдите в меню **«Конфигурация»** и выберите опцию **«Будильник»** или нажмите кнопку **ALARM** на пульте ДУ.
 - Перейдя на страницу настройки будильника, выберите опцию **«Будильник 1 (выключить)»** или **«Будильник 2 (выключить)»**, а затем опцию **«Включить»**, чтобы включить будильник.
 - Выберите опцию **«Повторить»**, чтобы установить периодичность срабатывания будильника, и нажмите кнопку **ОК**. Вы можете выбрать опцию «Каждый день», «Один раз» или установить отдель-

ные дни. Сделав выбор, нажмите кнопку **ВЛЕВО**, чтобы вернуться к другим настройкам будильника.

- Выберите опцию **«Время»** и выделите час срабатывания будильника при помощи **поворотного регулятора**. Установив нужное время в часах, нажмите кнопку **ВПРАВО**, чтобы перейти к минутам.
- Установив нужное значение в минутах, нажмите кнопку **ВПРАВО**, чтобы выбрать опцию **«АМ»** (время с полуночи до полудня) или **«РМ»** (время с полудня до полуночи), и нажмите кнопку **ОК** для подтверждения и возврата к настройкам будильника.
- Прокрутите меню вниз и выберите опцию **«Звук»**, нажав кнопку **ОК**. Вы можете выбрать зуммерный сигнал, мелодию, Интернет-радио, FM или DAB/DAB+.
- Если в качестве звука будильника вы выбрали Интернет-радио, FM или DAB/DAB+, далее откроется список предварительно настроенных любимых станций. Выберите станцию для будильника и нажмите кнопку **ОК**.

• На главной странице появится символ будильника.

Как отменить будильник

- Чтобы отменить будильник, выберите опцию **«Будильник»** в меню «Конфигурация» или нажмите кнопку **ALARM** и выберите будильник, который вы хотите выключить.
- Выбрав будильник, вы сможете выключить или включить его. Выделите опцию **«Выключить»** и нажмите кнопку **ОК** для подтверждения.

ПРИМЕЧАНИЕ. ЧТОБЫ ИЗМЕНИТЬ ГРОМКОСТЬ БУДИЛЬНИКА, ВЫБЕРИТЕ ОПЦИЮ «ГРОМКОСТЬ СИГНАЛА» НА СТРАНИЦЕ НАСТРОЙКИ БУДИЛЬНИКА.

Как выключить будильник после срабатывания

Когда звучит будильник, нажмите на пульте ДУ кнопку **ALARM** или кнопку **РЕЖИМ ОЖИДАНИЯ**, чтобы выключить его. Если вы установили будильник на срабатывание каждый день или несколько раз, символ будильника останется на дисплее.

Как установить будильник на дисплее

Когда звучит будильник, нажмите любую кнопку, кроме кнопок **РЕЖИМ ОЖИДАНИЯ** или **ALARM**, чтобы прервать сигнал или перевести будильник в режим **ПОВТОРА**. В режиме **ПОВТОРА** радиоприемник снова включится через 5 минут.

ПРИМЕЧАНИЕ. ЧТОБЫ ВЫКЛЮЧИТЬ ПОВТОРНЫЙ СИГНАЛ БУДИЛЬНИКА, НАЖМИТЕ КНОПКУ ALARM ИЛИ КНОПКУ РЕЖИМ ОЖИДАНИЯ.

Отсрочка будильника

- Выбрав опцию **«Будильник»** в меню «Конфигурация» или нажав кнопку **ALARM** на пульте ДУ, выберите опцию **«Время отсрочки будильника (выключить)»**.
- Установите нужное время отсрочки будильника в минутах: Выключить, 5 минут, 10 минут, 20 минут, 30 минут, 60 минут, 90 минут, 120 минут.
- **Громкость сигнала**
 - Чтобы изменить громкость сигнала, поворачивайте **регулятор громкости** или нажимайте кнопки **ВЛЕВО/ВПРАВО**.
 - Установив нужный уровень громкости, нажмите кнопку **ОК** для подтверждения.

Таймер

- Выберите в меню **«Конфигурация»** опцию **«Таймер»**. На экране появится надпись «00:00».
- Чтобы увеличить количество секунд, нажимайте кнопку **ВПРАВО**. Чтобы уменьшить количество секунд, нажимайте кнопку **ВЛЕВО**. Нажмите и удерживайте кнопки **ВЛЕВО/ВПРАВО** для быстрого изменения времени таймера.
- Установив нужное время, подтвердите его нажатием кнопки **ОК**.

Язык

Выберите нужный язык из списка

Подсветка

- Чтобы настроить интенсивность подсветки радиоприемника, перейдите в меню **«Конфигурация»** и выберите опцию **«Подсветка»**. Вы можете выбрать опцию **«Энергосбережение»** или **«Включить»**.
- Выберите режим **«Энергосбережение»**, чтобы изменить уровень яркости (до 20 уровней). Если радиоприемник не используется в течение 15 секунд, уровень яркости понижается до тех пор, пока не будет нажата кнопка или активирована опция **«Включить»**.
- Выберите режим **«Включить»**, определяющий уровень яркости на время активной работы или использования радиоприемника.
- Вы также можете изменять обе настройки путем нажатия кнопки **DIMMER** на пульте ДУ или передней панели.

Дисплей

Выберите **Цветной** или **Монохромный** вариант дисплея.

Управление питанием

Выберите эту опцию для настройки автоматического перехода радиоприемника в режим ожидания по истечению заданного времени отсутствия активности или сигнала WiFi. Выберите **5/15/30 минут** для перехода в режим ожидания или опцию **«Выключить»**, чтобы не использовать эту функцию.

Таймер выключения

- Чтобы настроить таймер выключения, перейдите в меню **«Конфигурация»** и выберите опцию **«Таймер выключения»**. Вы можете выбрать опцию **«Выключить»** или **15, 30, 60, 90, 120, 150 180 минут**.
- Вы также можете несколько раз нажать кнопку **SLEEP** на пульте ДУ, чтобы выбрать время выключения, которое отображается в правом верхнем углу экрана. Вы можете выбрать **15, 30, 60, 90, 120, 150, 180 минут**.
- После настройки таймера выключения в правом верхнем углу дисплея будет отображено время таймера и символ сна.

Буфер

Установите буферное время воспроизведения музыки: **2 / 4 / 8 секунд**.

Погода

- **Задайте местоположение:** Выберите и введите ваше местоположение
- **Температура:** Выберите предпочтительные единицы измерения температуры: «Цельсий» или «Фаренгейт».
- **Отображать в режиме ожидания:** Выберите опцию «Вкл» или «Вкл», чтобы выключить или включить функцию вывода прогноза погоды на дисплей в режиме ожидания. При включении функции вывода прогноза погоды, данные отображаются на дисплее в режиме ожидания каждые 10 секунд.

Настройка УКВ

- **Режим:** Вы можете выбрать режим «Моно» или «Стерео»
- **Порог:** Установите пороговые значения (Порог поиска/Стереоро пороги). (Пороговое значение позволяет настроить функцию автоматического переключения между режимами моно и стерео. В области со слабым сигналом система автоматически перейдет в режим моно для снижения фоновых шумов станции и повышения четкости звука).

Настройка местных радиостанций

Ручная настройка местоположения для поиска местных радиостанций вместо использования функции автообнаружения.

Настройка воспроизведения

Выберите режим воспроизведения медиасистемы: Вкл, Повторить все, Повторить один раз, В случайном порядке.

Устройство

Имя для DLAN по умолчанию – «AirMusic». Вы можете переименовать устройство для настройки DLAN.

Кнопка

На этой странице настройки вы можете выбрать опцию **«Будильник», «Подсветка», «Эквалайзер», «Местные радиостанции», «Режим», «Предустановка», «Таймер выключения»** и **«Таймер»** для подтверждения функции **MODE** на передней панели и пульте ДУ.

Эквалайзер

По умолчанию эквалайзер работает в нормальном режиме. Вы также можете выбрать режим «Плоский», «Джаз», «Рок», «Фонограммы», «Классический», «Поп», «Новости» или «my EQ».

Возобновление при включении питания

Выберите эту функцию для возобновления работы радиоприемника при включении питания. На экране будет отображена страница главного меню.

Обновление программы

Здесь отображаются доступные обновления для программного обеспечения радиоприемника. В случае наличия обновления выберите опцию для установки.

Восстановить стандартные настройки

Выберите эту опцию, чтобы сбросить все настройки и предварительно настроенные станции. Подтвердите запрос на сброс настроек устройства, выбрав опцию «**ДА**».

- Адаптер не подключен к настенной розетке.
- Решение**
- Убедитесь в том, что адаптер включен в сеть.

Поиск и устранение неисправностей

Данное изделие не содержит компонентов, техническое обслуживание которых пользователь может осуществлять самостоятельно. В случае возникновения неисправностей следует связаться с производителем или представителем авторизованного сервисного центра. Контакт с некоторыми частями внутри устройства может представлять опасность для жизни. Гарантия производителя не распространяется на неисправности, возникшие вследствие проведения ремонта неуполномоченными третьими лицами.

Нет звука

Причина

- Не настроена громкость.

Решение

- Отрегулируйте громкость при помощи основного поворотного регулятора.

В режиме соединения через Bluetooth отсутствует звук

Решение

- Возможно, на внешнем устройстве нужно ввести пароль «0000», чтобы запустить воспроизведение.

WiFi не подключается

Решение

- Убедитесь в том, что в настройках выбран режим WiFi и что введен правильный пароль для доступа к WiFi-модему.

Статичный звук

Причина

- Слишком слабый сигнал.

Решение

- Отрегулируйте антенну или переместите устройство в место с более сильным уровнем сигнала.

Искаженный звук

Причина

- Слишком высокий уровень громкости

Решение

- Уменьшите уровень громкости

Нужная станция не найдена

Причина

- Слабый сигнал

Решение

- Воспользуйтесь функцией ручной настройки.

Функции DAB отсутствуют

Причина

- В вашем регионе отсутствует покрытие DAB.
- Плохой прием

Решение

- Отрегулируйте положение антенны.

На дисплее ничего нет.

Причина

- Причиной может быть изменение метки услуги станцией радиовещания или удаление метки в ходе настройки.

Решение

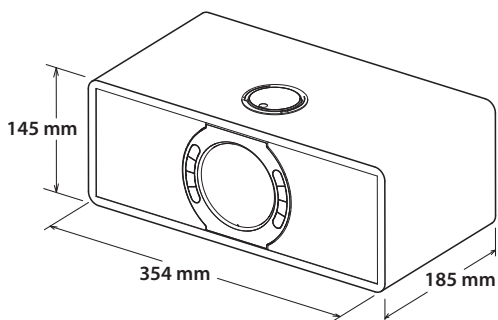
- Радиоприемник произведет попытку повторной настройки.
- Запустите поиск.

Питание отсутствует

Причина

Технические спецификации

Модель	DR-I470
Выходная мощность	2x7W (RMS)
Энергопотребление (макс.)	28W
Энергопотребление (стандарт)	8W
Энергопотребление в режиме ожидания	<1W
Частота FM	87.5-108MHz
Частота DAB+	174.928-239.200MHz
Bluetooth	
Версия	V2.1+ EDR
Частотные диапазоны	2402 MHz ~ 2480 MHz
Максимальная мощность передачи	4dBm
Силовой адаптер	
Название модели:	FJ-SW1202000N
Вход:	AC 100-240V ~ 50/60Hz, 0.6A Max
Выход:	DC 12V = 2000mA
Производитель:	SHENZHEN FU JIA APPLIANCE CO., LTD B1,Xujing chang Industrial Park, Haoye Road, Fuyong 518103 Shenzhen, China
WIFI	
WIFI-соединение:	802.11 b/g/n; STA/AP/AP Client



KG 3,16kg

Viktiga säkerhetsföreskrifter

Vänligen läs dessa säkerhetsföreskrifter och respektera följande varningar innan apparaten används:



Utropstecknet i en liksidig triangel är avsett att uppmärksamma användaren på viktiga anvisningar för hantering och underhåll (service) i dokumentationen som medföljer apparaten.



Använd endast strömförsörjning enligt vad som anges i användarmanualen.



Denna symbol innebär att produkten ska kasseras på ett miljövänligt sätt och inte i hushållsavfall.



AC Växelspänning



DC Likspänning



Klass II-utrustning



Endast inomhusanvändning



Energieffektivitetsmärkning nivå VI

⊖ ⊕ Polaritet för likströmskontakt

För att förhindra brand håll alltid ljus och andra öppna lågor borta från denna produkt.



Varning:

- Vidta alltid grundläggande säkerhetsåtgärder vid användning av denna apparat, i synnerhet när barn är närvarande.
- Barn ska övervakas för att säkerställa att de inte leker med apparaten.
- Se till att inte skada strömsladden, och undvik att placera tunga föremål på den, späanna den eller böja den. Använd inte förlängningskablar. Skador på strömsladden kan orsaka brand eller elektriska stötar.
- Om nätsladden är skadad måste den bytas ut av tillverkaren, en servicerepresentant eller liknande kvalificerade personer för att undvika fara.
- Se till att apparaten ansluts i ett uttag med 100-240 V 50/60 Hz växelspänning. Användning av högre spänning kan medföra att apparaten slutar fungera eller fattar eld.
- Tvinga inte in stickkontakten i ett uttag om den inte passar.
- Slå av apparaten innan den kopplas bort från strömkällan för att stänga av den helt.
- Undvik att koppla bort eller ansluta strömsladden med våta händer. Det kan orsaka en elektrisk stöt.
- Koppla bort strömsladden om den inte används under lång tid.
- Se till att nätkontakten alltid är lätt åtkomlig.
- Denna produkt innehåller inga delar som kan repareras av användaren. Vid fel, kontakta tillverkaren eller en auktoriserad serviceavdelning. Exponering av de interna delarna i apparaten kan medföra livsfara. Tillverkargarantin omfattar inte fel som orsakats av reparationer utförda av obehörig tredje part.
- Använd inte denna produkt direkt efter upppackning. Vänta tills den värms upp till rumstemperatur innan du använder den.
- Se till att denna produkt endast används i måttliga klimat (inte i tropiska/subtropiska klimat).
- Placera produkten på en plan och stadig yta som är fri från vibrationer.

- Se till att produkten och dess delar inte hänger ut över kanten på stödjande möbler.
- För att minska risken för brand, elektriska stötar och skador på produkten får den inte utsättas för direkt solljus, damm, regn eller fukt. Se till att produkten aldrig utsätts för dropp eller stänk, och placera inte föremål fyllda med vätskor på eller i närheten av produkten.
- Undvik att placera föremål fyllda med vätska, t.ex. vaser, på apparaten.
- Undvik installation i närheten av värmekällor, t.ex. värmeelement, värmespjäll och spisar, eller andra apparater (inklusive förstärkare) som avger värme.
- Undvik att placera produkten på platser med hög fuktighet och dålig ventilation.
- Se till att det finns ett avstånd på minst 5 cm runt apparaten för tillräcklig ventilation. Blockera inte några ventilationsöppningar på denna produkt. Se alltid till att ventilationsöppningarna inte täcks av föremål som t.ex. tidningar, bordsdukar, gardiner etc.
- Låt ALDRIG någon, särskilt barn, trycka in något i hål, springor eller andra öppningar i apparatens hölje, då detta kan resultera i elektriska stötar med dödlig utgång.
- Stormar är farliga för alla elektriska apparater. Om nät- eller antennenledning träffas av blixten kan apparaten skadas, även om den är avstängd. Du bör koppla bort apparatens alla kablar och kontakter innan en storm.

Underhåll

- Koppla loss strömkabeln från strömkällan innan apparaten rengörs.
- Använd en mjuk och ren trasa för att rengöra apparatens utsida. Rengör den aldrig med kemikalier eller rengöringsmedel.

Strömadapter

- Lossa sladden från nätuttaget för att koppla bort apparaten från nätspänningen.
- Använd endast den medföljande nätadaptern, annars kan säkerhetsrisker och/eller skador på apparaten uppstå.

Batterier

- Observera rätt polaritet när du sätter i batterierna.
 - Utsätt inte batterierna för höga temperaturer och placera dem inte på platser där temperaturen kan öka snabbt, t.ex. nära elden eller i direkt solsken.
 - Utsätt inte batterierna för överdriven strålningsvärme, kasta dem inte i elden, ta inte isär dem och försök inte att ladda icke-laddningsbara batterier. De kan läcka eller explodera.
 - Använd aldrig olika batterier tillsammans eller blanda nya och gamla.
 - När fjärrkontrollen inte används under en längre tid (mer än en månad) ska batteriet tas bort från fjärrkontrollen för att förhindra läckage.
 - Om batterierna läcker, torka bort läckaget i batterifacket och byt batterierna mot nya.
 - Använd inga andra batterier än de som specificeras.
- Batterier får inte sväljas, risk för kemiska brännskador**
- Om batteriet sväljs kan allvarliga inre brännskador orsakas på bara 2 timmar och leda till dödsfall. Se till att nya och använda batterier är utom räckhåll för barn. Om batterifacket inte stängs ordentligt, sluta använda produkten och se till att den är utom räckhåll för barn. Sök omedelbart läkarhjälp om du tror att batterier kan ha svalts eller hamnat i någon del av kroppen.



Kassering av denna utrustning och batterier

- Kassera inte denna produkt eller dess batterier som osorterat hushållsavfall. Returnera den till en uppsamlingsplats för WEEE-återvinning i enlighet med lokala lagbestämmelser. Genom att göra så, hjälper du till att spara resurser och skydda miljön.



-
- I de flesta EU-länder regleras kassering av batterier enligt lag. Kontakta din återförsäljare eller lokala myndigheter för mer information.



- Ovanstående visas på elektrisk och elektronisk utrustning (eller förpackningen) för att påminna användarna om detta.
- Användare måste använda befintliga återvinningsstationer för begagnad utrustning och batterier.

CE-förklaring:

- Härmed förklarar UMC Poland sp. z o.o. att denna audioenhet överensstämmer med de väsentliga kraven och övriga relevanta bestämmelser i RED-direktivet 2014/53/EU. Hela texten för EU-försäkran om överensstämmelse finns tillgänglig via länken <http://www.sharpconsumer.eu/documents-of-confirmity>

Varumärken:



Bluetooth®-ordmärket och logotyperna är registrerade varumärken som tillhör Bluetooth SIG, Inc.



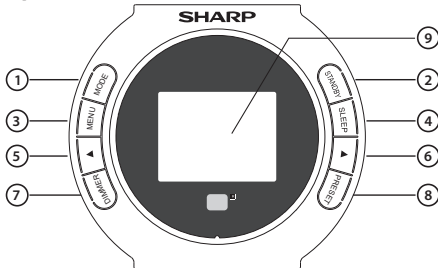
Wi-Fi CERTIFIED-logotypen är ett certifieringsmärke som tillhör Wi-Fi Alliance.

Vad som finns i förpackningen:

- 1x Huvudenhet
- 1x Fjärrkontroll
- 1x Strömadapter
- 1x Användarmanual
- 1x nätkontakt för strömadapter (UK)
- 1x nätkontakt för strömadapter (EU)

Paneler och reglage

Frontpanel

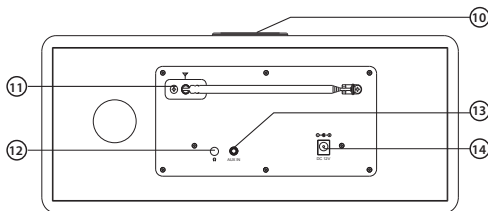


- 1. MODE** – Tryck för att ändra läge: DAB/DAB+, FM, Internetradio, Bluetooth, AUX IN.
Det går även att ställa in med en annan funktion via <Knapp>-menyn i **KONFIGURATION**: Alarm, Dimmer, Equaliser, Lokalradio, Läge, Förval, Insomningstimer, Timer.

OBS: Standardfunktionen för denna knapp är lägesändring.

- 2. STANDBY** – Tryck på denna knapp för att slå på apparaten eller gå över i standby-läge.
- 3. MENU** – Tryck på den här knappen för att öppna menyinställningsgränssnittet.
- 4. SLEEP** – Tryck uppregade gånger för att ställa in önskad insomningstid.
- 5. ◀** – I inställningsskärmen, tryck för att gå till föregående val. Vid radiolyssning, kort tryckning för att minska frekvensen i steg på 0,05 MHz.
- 6. ▶** – I inställningsskärmen, tryck för att gå till nästa val. Vid radiolyssning, kort tryckning för att öka frekvensen i steg på 0,05 MHz.
- 7. DIMMER** – Tryck för att ställa in bakgrundsbelysningsnivån.
- 8. PRESET** – Vid Internet-radiolyssning, tryck på denna knapp för att växla till Radiostation/Musik-skärmen.
- 9. DISPLAY** – För informationsvisning.

Bakpanel

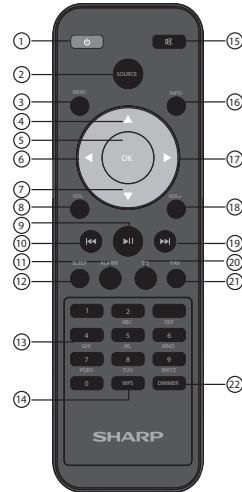


- 10. Volymratt/ Väljarratt/ OK-knapp** – Vid uppspelning, vrid på ratten för att justera uppspelningsvolymen. Vid menyinställning, vrid på ratten

för att välja alternativ; tryck för att bekräfta ditt val.

- 11. FM-antenn** – För mottagning av FM-signal.
- 12. Hörlursuttag** – 3,5 mm hörlursuttag.
- 13. AUX IN** – Anslut 3,5 mm-audiokabeln för att lyssna på externa audiokällor.
- 14. DC-ingång** – DC 12V

Fjärrkontroll



- 1. STANDBY** – Tryck på **STANDBY**-knappen på fjärrkontrollen för att starta apparaten eller gå över i standby-läge.
- 2. SOURCE** – Tryck på **SOURCE**-knappen för att ändra uppspelningslägena: DAB / DAB +, FM, AUX IN, Bluetooth, Internetradio.
Obs! Den här knappen kan användas som en annan funktion genom att ställa in från <Knapp>-alternativet i **KONFIGURATION**: Alarm, Dimmer, Equaliser, Lokalradio, Läge, Förval, Insomningstimer, Timer
- 3. MENU** – Tryck på **MENU**-knappen på fjärrkontrollen eller frontpanelen för menyvisning, tryck på **PIL**-knapparna eller vrid på väljarratten för att bläddra i meny: Internetradio, Mediacenter, FM, DAB/DAB+, Informationscenter, AUX, Bluetooth, Konfiguration, Lokalradio.
- 4. UPP / 5. OK / 6. VÄNSTER / 7. NED / 17. HÖGER** – Använd **UPP**- och **NED**-knappen eller vrid på väljarratten för att bläddra genom alternativen, och tryck sedan på **OK**-knappen för att bekräfta ditt val.
- 8. VOL- / 18. VOL+** – För att justera volymen kan du trycka på knapparna **VOL-** och **VOL-** eller vrida direkt på volymratten.
- 10. FÖREGÅENDE / 19. NÄSTA** – Vid uppspelning av musik, tryck på knapparna **FÖREGÅENDE** eller **NÄSTA** för att hoppa till föregående eller nästa spår. Vid radiolyssning, tryck på knapparna **FÖREGÅENDE** eller **NÄSTA** för att hoppa till föregående eller nästa favoritstation.
- 9. UPSPELNING/PAUS** – Tryck på **UPSPELNING/PAUS**-knappen för att pausa uppspelningen, och tryck en gång till för att återuppta.
- 11. ALARM** – Tryck på **ALARM**-knappen för att visa och skapa larmalternativ.
- 12. SLEEP** – Tryck på **SLEEP**-knappen uppregade gånger för att välja önskad insomningstid.
- 13. SIFFRA/BOKSTAV** – Ange siffror eller bokstäver vid menyinställning.
- 14. WPS** – WPS inställningar

15. MUTE – Tryck på **MUTE**-knappen för att stänga av ljudet, tryck en gång till eller tryck på **VOL+/-**-knapparna på fjärrkontrollen eller vrid på volymratten på övre panelen för att återställa.

16. INFO – Tryck på **INFO**-knappen för att visa stationsinformation.

20. EQ – Tryck på **EQ**-knappen upprepade gånger för att välja olika ljudinställningar: Normal, rak, Jazz, Rock, Soundtracks, Klassisk, Pop, nyheter, My EQ.

21. FAV – Lång tryckning på **FAV**-knappen för att spara station. Kort tryckning på **FAV**-knappen för att visa favoritstationer som sparats.

22. DIMMER – Tryck på **DIMMER**-knappen för att välja bakgrundsbelysningsnivå

SÄTTA I ELLER BYTA BATTERIER I FJÄRRKONTROLLEN

1. Tryck batteriluckans spärr i den riktning som pilen baktill på fjärrkontrollen visar.
2. Öppna batteriluckan samtidigt som spårren trycks in.
3. Sätt i två batterier och var nogga med polariteten (+/-) som visas. Vid byte av batterier ska endast samma batterityp som de medföljande användas.
4. Sätt tillbaka batteriluckan så att den snäpper på plats.

Starta Internetradio

Anslut strömadaptern i DC-ingången. "**Välkommen**" visas då på skärmen. Se till att antennen är utdragen så långt det går. Därmed kan du få bästa möjliga signal.

Om det är första gången du använder din radio kan du efter Välkommen-skärmen välja språk genom att bläddra med **väljarratten** och bekräfta ditt val genom att trycka på **OK**-knappen.

Efter språkinställningen visar skärmen "**Kontrollera nätverket i påslaget läge?**". Du kan välja "**JA**" eller "**NEJ**" för att bestämma om apparaten ska göra en nätverkskontroll eller inte när den slås på.

Manuell WIFI-konfiguration

Efter ovanstående inställning visar skärmen "**Vill du konfigurera nätverk nu?**".

- Om du väljer "**JA**" börjar radion att söka efter närliggande nätverk att ansluta till. Efter sökningen måste du välja nätverket du vill ansluta till. Skriv sedan in bokstäver/siffror genom att bläddra med **väljarratten** eller trycka på **SIFFER-/BOKSTAVS-knapparna** tills rätt tecken visas och klicka på **HÖGER**-knappen för att gå till nästa tecken. När du är klar, tryck på **OK**-knappen för att bekräfta.
- Om du väljer "**NEJ**" kan detta göras senare i konfigurationsinställningarna.

Trådlöst nätverk (WPS PBC)

Om du är i steget "**Vill du konfigurera nätverk nu?**" och väljer "**JA(WPS)**" börjar din radio att söka efter WiFi-anlutning.

När detta valts har du 120 sekunder på dig att klicka på **WPS**-knappen på ditt WiFi-modem. Din radio ansluts då till WiFi utan att något lösenord behöver skrivas in manuellt.

WIFI-anslutning slutförd!

När din WiFi-anlutning slutförts genom manuell inmatning av WiFi-lösenordet via WPS förflyttas du till huvudmenyskärmen och WiFi-signalen visas i vit färg uppe till vänster. Din Internetradio är nu konfigurerad!

Internetradio

Använd **VÄNSTER/HÖGER**-knapparna eller vrid på **väljarratten** för att välja **<Internetradio>** på Menyskärmen, och tryck på **OK**-knappen för olika alternativ:

Mina favoriter: Här sparas dina favoritstationer så att du enkelt kan lyssna på dem. Du kan trycka på **FAV**-knappen direkt för att visa listan med dina favoritstationer.

Radiostation/musik: Välj detta alternativ för att bläddra bland Internet-radiostationer i olika kategorier: Global Topp 20, Genre, Land/Plats, Höjdpunkter. Sök stationer under relevanta kategorier och välj önskad Internetstation genom att trycka på **OK**-knappen.

Lokalradio: Radion är automatiskt inställd för att hitta ditt lands Topp 10-stationer, Alla stationer, plus ett antal gener i kategorierna i alfabetisk ordning. Välj den kategori du vill lyssna på med **OK**-knappen och fortsätt bläddra till önskad station.

Sov-radio: Välj mellan olika avslappnande ljud.

Historik: Bläddra bland stationer som du lyssnat på nyligen.

Tjänst: Sök radiostation eller Lägg till ny radiostation.

- Du kan använda **SIFFER/BOKSTAVS**-knapparna för att söka radiostation.
- För att lägga till en ny radiostation, använd **SIFFER/BOKSTAVS**-knapparna för att markera önskat tecken och klicka på **HÖGER**-knappen för att gå till nästa tecken. För att gå tillbaka till föregående tecken, tryck på **VÄNSTER**-knappen för att markera det. Tryck på **OK**-knappen för att söka efter Internetstationen.

Spara dina favorit-Internetradiostationer

När du har hittat önskad station, tryck och håll in **FAVOR**-knappen för att gå till inställningsskärmen "**Lägg till i Mina favoriter**". Vrid på **väljarratten** eller tryck på **UPP/NED**-knapparna för att välja förvalsnnummer och tryck på **OK**-knappen för att bekräfta ditt val.

FM-Radio

FM-frekvensområdet är mellan 87,5 MHz och 108,00 MHz. Dra ut antennen för att hitta starkast möjliga signal för varje station.

Använd **VÄNSTER/HÖGER**-knapparna eller vrid på **väljarratten** för att välja **<FM >** på Menyskärmen, och tryck sedan på **OK**-knappen för att öppna FM-skärmen.

Stationsinställning

Tryck på **UPP/NED**-knapparna på fjärrkontrollen eller på frontpanelen för att justera frekvensen uppåt eller nedåt i steg på **0,05 MHz**.

Tryck på **VÄNSTER/HÖGER**-knapparna på fjärrkontrollen för att hoppa till föregående eller nästa station med starkast mottagning. Så snart en station har hittats så avbryts sökningen automatiskt.

Tryck på **OK**-knappen, "**Automatisk sökning**" visas på skärmen. Om du väljer "**JA**" börjar radion söka stationer från låga till höga frekvenser. Stationer som den hittar sparas automatiskt.

Spara stationer

För spara en favoritstation: lyssna först på denna station, gör en lång tryckning på **FAV**-knappen på fjärrkontrollen, och använd sedan **UPP/NED**-knapparna eller vrid på **väljarratten** för att välja vad du vill spara. Tryck sedan på **OK**-knappen för att bekräfta förvalet.

Lyssna på en sparad station

1. Tryck på **FÖREGÅENDE/NÄSTA**-knapparna på fjärrkontrollen för att hoppa till föregående eller nästa förvalstation.
2. Alternativt kan du trycka på **FAV**-knappen för att välja den sparade stationen och trycka på **OK**-knappen för att lyssna.

DAB/DAB+

Använd **VÄNSTER/HÖGER**-knapparna eller vrid på **väljarratten** för att välja **<DAB/DAB+>** på Menyskärmen, och tryck på **OK**-knappen för att aktivera DAB/DAB+-läge.

Första gången du använder DAB på din radio börjar den söka efter DAB-stationer och "**Söker**" visas på skärmen. Vartefter sökningen pågår visas hur många stationer som har hittats.

När alla tillgängliga stationer har hittats så visas de tillgängliga stationerna

på radioskärmen. Använd **väljarratten** för att bläddra och markera önskad station. Välj stationen genom att trycka på **OK**-knappen.

När du har valt en station visas stationen på skärmen och börjar spelas. För att gå till och välja föregående eller nästa station, tryck på knappen **FÖREGÅENDE** eller **NÄSTA**.

När du är på din valda station, tryck på **INFO**-knappen för att visa information om stationen. Skärmen bläddrar automatiskt genom informationen och visar genre, MHz, låt som spelas, KHz och Kbps.

För att återgå till listan och bläddra manuellt, tryck på **VÄNSTER**-knappen för att gå tillbaka till listan.

Spara dina DAB/DAB+-favoritstationer som förval

När du hittat önskad station, håll in **FAV**-knappen i några sekunder för att gå till skärmen "**Lägg till i Mina favoriter**". Vrid på **väljarratten** för att välja förvalnummer och tryck på **OK**-knappen för att bekräfta.

Alternativt kan du från listan med DAB-stationer markera den valda stationen och hålla in **FAV**-knappen för ovanstående anvisningar.

För att visa dina förvalda favoritstationer, tryck på **FAV**-knappen och använd **UPP**- eller **NED**-knappen för att bläddra i förvalslistan.

Informationscenter

Använd **VÄNSTER/HÖGER**-knapparna eller vrid på **väljarratten** för att välja **<Informationscenter>** på Menyskärmen, och tryck på **OK**-knappen för att öppna informationscenterskärmen.

Väderinformation: För att visa väderinformation för en viss plats, välj först kontinent genom att bläddra med **väljarratten** och tryck på **OK**-knappen för att bekräfta. Välj därefter land, och sedan ort/stad, på samma sätt.

När du har valt ort/stad visas följande information: aktuell temperatur, vädersymbol, ungefärligt temperaturintervall under de nästa 5 dagarna.

Börsinformation: Välj marknadsindex från olika börser i hela världen. Använd **väljarratten** för att bläddra och **OK**-knappen för att bekräfta.

Systeminformation: Visa information om systemversion och trådlös anslutning. Informationen för trådlös anslutning innefattar t.ex. WIFI-anslutningens signalstyrka.

AUX-funktion

AUX-IN

Använd **VÄNSTER/HÖGER**-knapparna eller vrid på **väljarratten** för att välja **<AUX>** på Menyskärmen, och tryck på **OK**-knappen för att aktivera AUX-läget.

Anslut en AUX-kabel i radion och anslut kabeln via AUX-IN-kontakten baktill på radion. Starta audiouppspelning från din enhet så ska detta spelas upp genom radion i AUX-läge.

Line Out (hörlurar)

På radions bakre panel finns ett **hörlursuttag** för att lyssna på audio från din radio. Starta audiouppspelning via inställningen för Internetradio, Mediacenter, AUX eller Bluetooth.

Bluetooth

Använd **VÄNSTER/HÖGER**-knapparna eller vrid på **väljarratten** för att välja **<Bluetooth>** på Menyskärmen, och tryck på **OK**-knappen för att aktivera Bluetooth-läget.

1. Gå till inställningarna för din enhet för att ansluta din enhet till radion via Bluetooth.

2. Välj "**SHARP DR-I470**" i listan från din enhet. Efter anslutning meddelar radion att den är "**Ansluten**", och "**Bluetooth anslutet**" visas på displayen.
3. Välj önskad audiokälla på din enhet och starta uppspelning.
4. Du kan nu lyssna på musik i din enhet.
5. För att bryta anslutningen, byt till ett annat uppspelningsslåg, eller stäng av Bluetooth-funktionen i din enhet.

Konfiguration

Använd **VÄNSTER/HÖGER**-knapparna eller vrid på **väljarratten** för att välja **<Konfiguration>** på huvudmeny skärmen, och tryck på **OK**-knappen för att öppna konfigurationsinställningarna.

Visning av tid

Ställ in typ av tidsvisning: Analog eller Digital.

Hantera min media U

Ställ in funktionen på Aktivera eller Avaktivera.

Nätverk

- **Nätverkskonfiguration (trådlös)**
 - I nätverksinställningarna kan du konfigurera en WIFI-anslutning genom att välja Nätverkskonfiguration (trådlös). Radion börjar då söka efter tillgängliga WIFI-anslutningar.
 - Hitta din WIFI-anslutning och välj den med **OK**-knappen. För att skriva in bokstäver/siffror, använd **väljarratten** eller tryck på **BOKSTAVS-/SIFFER**-knapparna tills rätt tecken visas. Tryck sedan på **HÖGER**-knappen för att gå till nästa tecken. Tryck på **VÄNSTER**-knappen om du vill gå tillbaka till föregående tecken. När du är klar, tryck på **OK**-knappen för att bekräfta.
 - När WIFI-anslutningen är klar visas huvudmeny skärmen och WIFI-signalen visas i övre vänstra hörnet.
- **Trådlöst nätverk (WPS PBC)**
 - Välj detta alternativ för att söka efter WIFI-anslutning. När detta valts har du 120 sekunder på dig att klicka på **WPS**-knappen på ditt WIFI-modem. Din radio ansluts då till WIFI utan att lösenordet behöver skrivas in manuellt.
- **Manuell konfiguration**
 - Du kan göra manuella inställningar för trådlös anslutning: DHCP, Ange SSID och Hantera.
- **Kontrollera nätverket i påslaget läge**
 - Ställ in på Aktivera eller Avaktivera.

Datum och tid

- **Ställ in datum och tid**
 - **Manuell konfiguration eller Automatisk detektering**

Det går att ställa in tid och datum manuellt istället för att använda automatisk detektering. Vrid på **väljarratten** eller tryck på sifferknapparna för att ange önskad siffra för månaden. När du har rätt siffra, klicka på **HÖGER**-knappen för att gå vidare till inställning av dag. Fortsätt denna process med år, timme och minuter. När den manuella inställningen är klar, tryck på **OK**-knappen. Formatinställningar för datum och tid kan ändras via "Datum och tid"-funktionen.
 - **Ange tidsformat:** För att ange tidsformat, 12-timmars eller 24-timmars.
 - **Ange datumformat:** ÅÅÅÅ/MM/DD, DD/MM/ÅÅÅÅ, MM/DD/ÅÅÅÅ

Alarm

- **Inställning av Alarm 1/ Alarm 2**
 - För att ställa in ett larm på din radio, gå till "**Konfiguration**"-inställningarna och bläddra för att välja "**Alarm**" eller klicka direkt på **ALARM**-knappen på fjärrkontrollen.
 - Från Alarm-inställningsskärmen, välj "**Alarm 1 (Slå av)**" eller "**Alarm 2 (Slå av)**" och välj "**Slå på**" för att aktivera larmet.
 - Välj "Repetera" och välj hur ofta larmet ska ljuda genom att trycka på **OK**-knappen. Du kan välja mellan Varje dag, En gång eller välj

enskilda dagar när larmet ska ljuda. När du gjort ditt val, tryck på **VÄNSTER**-knappen för att återgå till övriga larminställningar.

- Välj **"Tid"** och vrid på **väljarratten** för att markera timangivelsen för larmet. När du hittat önskad timangivelse, tryck på **HÖGER**-knappen för att ändra minutangivelsen.
- När minutangivelsen har rätt värde, tryck på **HÖGER**-knappen för att ställa in **"AM"** eller **"PM"**, och tryck sedan på **OK**-knappen för att bekräfta och återgå till larminställningarna.
- Bläddra ned och välj **"Ljud"** genom att trycka på **OK**-knappen. Du kan nu välja mellan pipsignal, melodi, Internetradio, FM eller DAB/DAB+.
- Om du ställer larmljudet på Internetradio, FM eller DAB/DAB+ så kommer du nu till dina förvalda favoritstationer. Välj önskad larmstation genom att trycka på **OK**-knappen.
- Larmsymbolen visas på huvuddisplayskärmen.
- **Att avaktivera larmet**
 - För att avaktivera larmet, välj **"Alarm"** i konfigurationsinställningarna eller med **ALARM**-knappen och välj larmet du vill stänga av.
 - När larmet valts kan det slås av eller på. Markera alternativet **"Slå av"** och tryck på **OK**-knappen för att bekräfta.

OB: Ändra larmvolymen genom att gå till inställningen

"Larmvolym" på larminställningsskärmen.

• Att stänga av larmet när det ljuder

När larmet ljuder, tryck på **ALARM**- eller **STANDBY**-knappen på fjärrkontrollen för att stänga av larmet. Om du har ställt in ett larm för att ljuda varje dag eller mer än en gång så fortsätter larmikonen att visas på displayen.

• Att använda larmets SNOOZE-funktion

När larmet ljuder kan du trycka på valfri knapp utom **STANDBY** eller **ALARM**, för att det ska sluta ljuda och ställas i **SNOOZE**-läge. Med **SNOOZE**-funktionen ljuder radion igen efter 5 minuter.

OB: Avbryt **SNOOZE**-larmet genom att trycka

på **ALARM**- eller **STANDBY**-knappen.

• Tupplur-alarm

- Efter val av **"Alarm"**-alternativet i konfigurationsinställningarna, eller **ALARM**-knappen på fjärrkontrollen för att välja **"Tupplur-alarm(Slå av)"**.
- Välj hur många minuter du vill ha tupplur-alarmlarmet på med alternativet: Slå av, 5 minuter, 10 minuter, 20 minuter, 30 minuter, 60 minuter, 90 minuter, 120 minuter.

• Alarmvolym

- Ändra alarmvolymen genom att vrida på **volymratten** eller använd **VÄNSTER/HÖGER**-knapparna för att ändra.
- När rätt ljudvolym valts, tryck på **OK**-knappen för att bekräfta.

Timer

- I **"Konfiguration"**-inställningarna, välj alternativet för **"Timer"**, så visas en skärmdisplay med 00:00.
- För att öka antalet sekunder, klicka på **HÖGER**-knappen. För att minska antalet sekunder, klicka på **VÄNSTER**-knappen. Tryck och håll in **VÄNSTER/HÖGER**-knapparna för att förflytta dig snabbt genom timern.
- När du valt korrekt timervärde, bekräfta med **OK**-knappen.

Språk

Välj önskat språk i listan.

Dimmer

- För att ställa in ljusstyrkan, gå till **"Konfiguration"**-inställningarna och välj **"Dimmer"**. Du kan välja **"Strömsparläge"** eller **"Slå på"**.
- Välj **"Strömsparläge"** för att ändra en av dina ljusstyrkenivåer och välja mellan upp till 20 nivåer. När det inte varit någon radioaktivitet i 15 sekunder ställs denna lägre ljusstyrkenivå in tills man klickar på en knapp och **"Slå på"**-inställningen aktiveras.
- Välj **"Slå på"**-läget för ljusstyrka när radion är aktiv och används.
- Alternativt kan du ändra två ljusstyrkelägen genom att trycka direkt på **DIMMER**-knappen på fjärrkontrollen eller frontpanelen.

Display

Välj om displayen ska vara i **Färg** eller **Svartvit**.

Energisparfunktion

Välj detta för att konfigurera radion att automatiskt gå över i Standby-läge efter en inställd tid utan aktivitet om det inte finns någon WIFI-signal. Du kan välja **5/15/30 minuter** för övergång till Standby-läge, eller du kan välja **"Slå av"** för att ignorera denna funktion.

Insomningstimer

- För att ställa in en insomningstimer, gå till **"Konfiguration"**-inställningarna och välj **"Insomningstimer"**, du kan välja **Slå av, 15, 30, 60, 90, 120, 150, 180** minuter.
- Alternativt kan du trycka på **SLEEP**-knappen på fjärrkontrollen upprepade gånger för att växla mellan olika tidsinställningar längst upp till höger på displayen. Det går att välja mellan **15, 30, 60, 90, 120, 150, 180 minuter**.
- När insomningstimeren har valts visas timervärdet och en symbol längst upp till höger på displayen.

Buffring

Konfigurera buffringstiden för musikuppspelning: **2 / 4 / 8 sekunder**.

Väder

- **Ställ in plats:** Välj och ange din plats.
- **Temperaturenhet:** Välj temperaturangivelser i **"Celsius"** eller **"Fahrenheit"**.
- **Visning i standby:** Välj **"Av"** eller **"På"** för att avaktivera eller aktivera väderprognosvisning på standby-skärmen. När du aktiverar väderprognosvisning visas det på Standby-skärmen var 10:e sekund.

FM-inställning

- **Läge:** Du kan ställa in **"Mono"**- eller **"Stereo"**-läge.
- **Tröskel:** Välj tröskelinställningar (sök tröskel/Stereotröskel).
- (Tröskeln tillämpas för automatisk växling mellan mono- och stereo-läge. På plater med dålig mottagning går systemet automatiskt över till mono-läge för att minska bakgrundsbruset så att ljudet från stationen kan uppfattas tydligare.)

Lokalradioinställning

Konfigurera manuellt din plats för lokalradio istället för att låta radion tillämpa autodetektering.

Inställning uppspelning

Välj uppspelningssläge för Mediacenter: **Av**, **Repetera allt**, **Repetera en**, **Blanda**.

Enhet

Standardnamnet för DLAN är **"AirMusic"**. Du kan döpa om enheten för DLAN-konfiguration.

Knapp

I detta inställningsgränssnitt kan du välja **"Alarm"**, **"Dimmer"**, **"Equaliser"**, **"Lokalradio"**, **"Läge"**, **"Förval"**, **"Insomningstimer"** och **"Timer"** för att bekräfta funktionen för **MODE**-knappen på frontpanelen och fjärrkontrollen.

Equaliser

Standard-EQ är normal. Du kan ändra till **Rak**, **Jazz**, **Rock**, **Soundtracks**, **Klassisk**, **Pop**, **Nyheter** eller **my EQ**.

Återuppta vid strömpå sättning

I denna funktionen om radion ska återuppta vid strömpå sättning. Istället är skärmen kvar i huvudmenyn.

Uppdat.programvara

Här visas om en programvaruuppdatering finns tillgänglig för radion. Om det finns en tillgänglig, välj att uppdateringen ska initieras.

Återställning

Välj detta alternativ för att återställa din radio och alla inställningar och förval som gjorts. Bekräfta att du vill återställa enheten och dess inställningar genom att välja **"JA"**.

Felsökning

Denna produkt innehåller inga delar som kan repareras av användaren. Vid fel, kontakta tillverkaren eller en auktoriserad serviceavdelning. Exponering av de interna delarna i apparaten kan medföra livsfara. Tillverkargarantin omfattar inte fel som orsakats av reparationer utförda av obehörig tredje part.

Inget ljud

Orsak

- Volymen inte uppdragen.

Åtgärd

- Ställ in huvudvolymratten.

Inget ljud från Bluetooth-anslutning

Åtgärd

- Kontrollera om extern enhet erfordrar lösenord "0000".

Ingen WiFi-anslutning

Åtgärd

- Säkerställ att WiFi-läget valts i inställningarna och rätt lösenord angivits för WiFi-modemet.

Störningar

Orsak

- För svag signal.

Åtgärd

- Justera antennen eller flytta apparaten till en plats med starkare signal.

Ljudet är förvrängt

Orsak

- Volymen är för hög

Åtgärd

- Minska volymen

Önskad station kan inte hittas

Orsak

- Svag signal

Åtgärd

- Använd funktionen för manuell inställning

Inga DAB-funktioner

Orsak

- Ingen DAB-täckning i ditt område.
- Dålig mottagning

Åtgärd

- Justera antennens läge.

Ingen visning på displayen.

Orsak

- Detta kan inträffa om stationen ändrar informationen för en tjänst eller tar bort information när stationen är inställd.

Åtgärd

- Radion försöker ställa in på nytt.
- Gör en sökning.

Ingen ström

Orsak

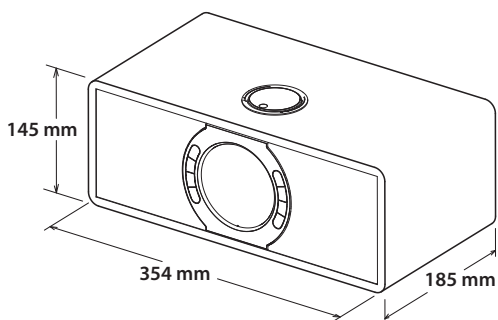
- Adaptern är inte ansluten till vägguttaget.

Åtgärd

- Se till att adaptern är inkopplad.

Teknisk specifikation

Modell	DR-I470
Uteffekt	2x7W (RMS)
Strömförbrukning (max.)	28W
Strömförbrukning (standard)	8W
Strömförbrukning Standby	<1W
FM-frekvens	87.5-108MHz
DAB+-frekvens	174.928-239.200MHz
Bluetooth	
Version	V2.1+ EDR
Frekvensband	2402 MHz ~ 2480 MHz
Max. effektöverföring	4dBm
Strömadapter	
Modellnamn:	FJ-SW1202000N
In:	AC 100-240V ~ 50/60Hz, 0.6A Max
Ut:	DC 12V =2000mA
Tillverkare:	SHENZHEN FU JIA APPLIANCE CO., LTD B1,Xujing chang Industrial Park, Haoye Road, Fuyong 518103 Shenzhen, China
WIFI	
WIFI-anlutning:	802.11 b/g/n; STA/AP/AP Client



KG 3,16kg



UMC Poland Sp. z o.o.

Ostaszewo 57B, 87-148 Łysomice,
Poland

Made in China

SAU/MAN/0056

www.sharpconsumer.eu

SHARP