

Instruction manual

Thank you for purchasing this product.
Before using this product please read the instructions carefully.
After reading the instruction manual, please keep it for reference.

Troubleshooting

Please check the following for any issues

① Pressing the PS button does not turn on the PlayStation®4 system

The PS button on this product will not turn on the PlayStation®4 system.
Please press the PS button on the wireless controller (DUALSHOCK®4) or press the power button on the PlayStation®4 system.

② The PS button does not respond during gameplay

Please check the PS4/PS3 System Toggle Switch on this product. Make sure it is set to "PS4" for PlayStation®4 and "PS3" for PlayStation®3.

③ Controls respond in the home screen but not during gameplay

For the PlayStation®4, controls will not respond if the user account is different from the one used at the start of the game. Make sure to always log in with the same user account.

④ The controller will not respond upon pressing the PS button

You must first pair this controller with the PlayStation®4 system using a wireless controller (DUALSHOCK®4).

Although the instruction manual states that the products is for the PlayStation®4 system, it is also compatible with the PlayStation®3 system.
Please also refer to our website (<http://www.hori.jp/support/>) for additional information.

Main Features

Joystick

Length	:180mm
Depth	:210mm
Height	:250mm
Weight	:0.6kg
Cable Length	:3m
Rating	:5V~60mA

Throttle

Length	:180mm
Depth	:210mm
Height	:190mm
Weight	:0.6kg
Cable Length	:1m

PRODUCT NAME :
「FACE COMBAT 7: SKIES UNKNOWN」
FLIGHT STICK for PlayStation®4

MODEL : PS4-094A
Manufacturer : HORI (H.K.) CO., LTD.
Enterprise Standard : Q/KXY039-2018
MAIL : koy_support@hori.jp
MADE IN CHINA

Caution



To Parent / guardian, Please read carefully

⚠ For Health (Regarding Vibration)

- Stop using this product if you begin to feel tired, experience discomfort or pain in your hands or arms. If the condition persists, consult a doctor.
- Do not make contact with your head, elbow, knee, face, abdomen area or any other parts of the body.
- Do not use the vibration function if you have any ailment or injury to the bones and/or joints.
- Do not use the vibration function if you have any dislocated or fractured bones in your fingers, hands, wrists, or if you have any torn or strained muscles.
- Avoid prolonged use of this product. Take a break every 30 minutes of gameplay.

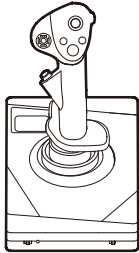
⚠ To Avoid Malfunction

- Never disassemble, repair, or modify this product.
- Do not use this product for anything other than its intended purpose.
We are not responsible for any accidents or damages in the event of use other than the intended purpose.
- Keep the controller away from dusty or humid areas.
- Do not apply strong impact or weight on the product.
- Do not pull roughly or bend the cable of the controller.
- If product needs cleaning, use only a soft dry cloth.
Do not use any chemical agents like benzene or thinner.

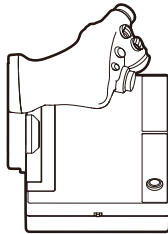
⚠ To Avoid Injury

- Keep this product out of the reach of children under 3.
- Keep this product away from small children. Seek medical advice immediately if it is swallowed.
- Ensure there are no obstacles within the moving range of the main stick and throttle.
- Do not put your finger or clothes inside the movable parts.
- Do not throw this product to a person or object.

Includes



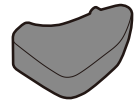
Joystick... × 1



Throttle... × 1



Suction cups... × 8



Handrest Extender ... × 1

Compatible Systems

PlayStation®4 / PlayStation®3 / PC

System Requirements	Windows®10 / 8.1 / 8 / 7 USB port, Internet Connection
---------------------	---

※Functions as PC controller through Xinput.
This product does not support DirectInput.

Important

Before using this product with PlayStation®4 and PlayStation®3, be sure to check the instruction manual of each hardware console.



*Some functions may not function as desired depending on the console software version. In that case, please upgrade to the latest system software before use.
(PlayStation®4 ... Ver. 4.73 or later recommended, PlayStation®3 ... Ver.2.80 or later recommended)
Please refer to your console's user manual for system software version check and update instructions.

***This product does not feature light bar, motion sensors. In addition, this product does not support features other than those described. Please note this product may not support some PlayStation®4 and PlayStation®3 standard software. For details, please visit our website (<http://www.horiusa.com>).**

*This product will not work on the PlayStation®2, PlayStation®, or PS one®.

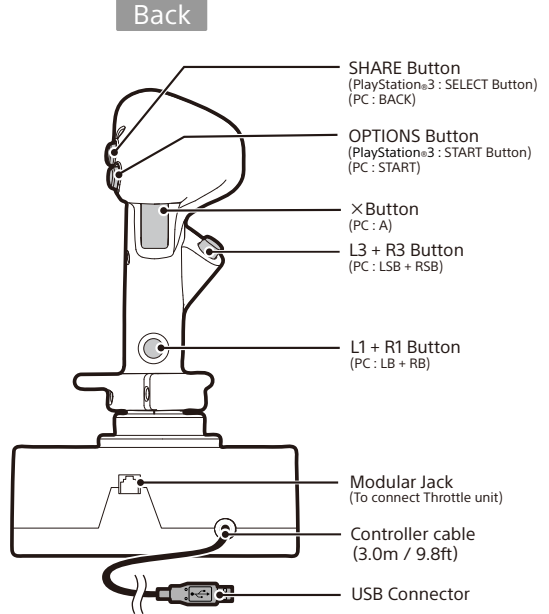
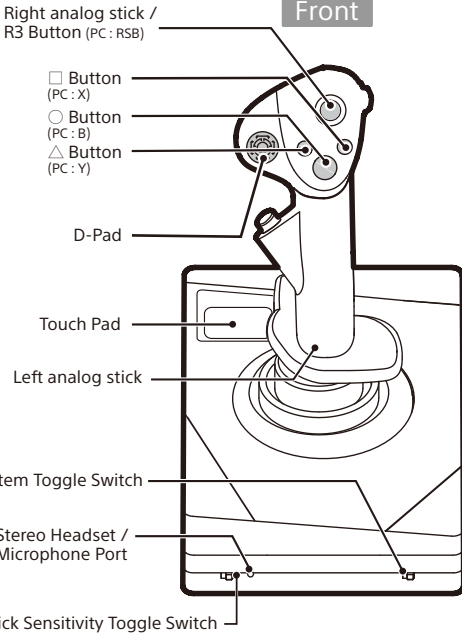
*This product is not a wireless controller.

*Please also refer to our website (<http://www.hori.jp/support/>) for additional information.

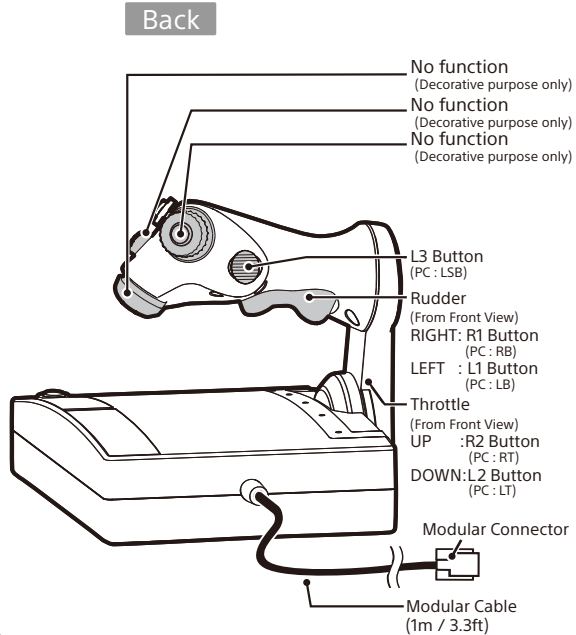
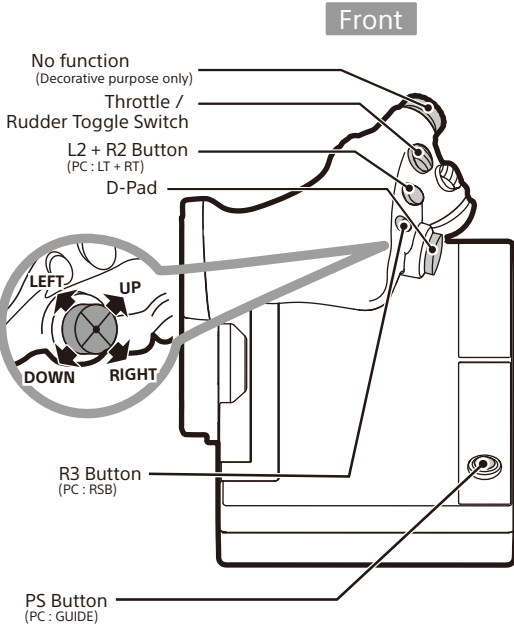
*PC will automatically recognize this product once the USB is plugged in.

Layout

Joystick



Throttle



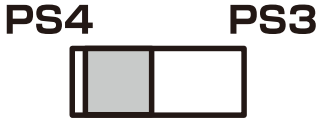
*The PS button will not turn the PlayStation®4 or PlayStation®3 system's power on.
 *Throttle / Rudder setting above based on Throttle / Rudder Toggle Switch Mode 1.

Platform Toggle Switch

The Platform Toggle Switch toggles between PlayStation®4 and PlayStation®3 compatibility.

*Toggle the switch before connecting.

*PC will automatically recognize once the USB is inserted.



How to connect

- ① Insert the modular connector to the joystick modular jack.
- ② Insert the USB connector to the console USB port.

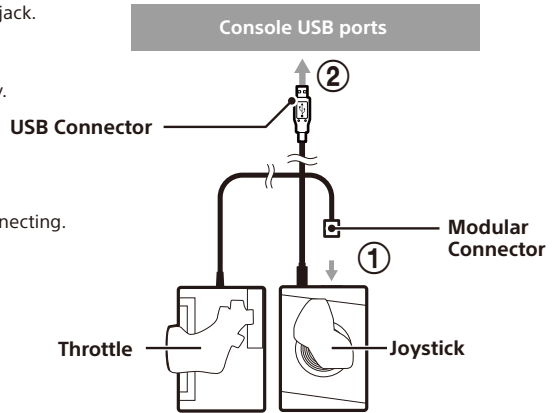
*Insert the modular connector and USB connector firmly.

Do not use the cable if tangled.

*Plugging and unplugging during gameplay may cause a malfunction.

Reconnect the connector if any malfunction occurs.

*Make sure to check the connector direction before connecting.



Attaching the Suction Cups

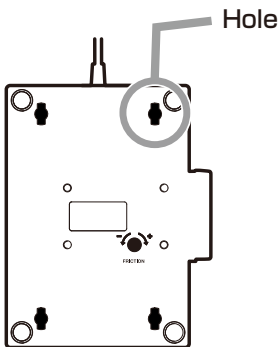
① Insert the suction cups into the holes located on the bottom side of joystick and throttle.

② Rotate the suction cups 90 degrees to lock in place.

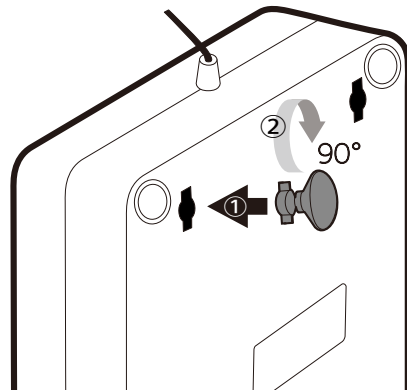
*Please attach to smooth, flat, stable surface. May not fully affix depending on the mounting surface material.

*Use a sturdy table when attaching this product with suction cups.

*Avoid attaching to glass or other fragile furniture. When removing the suction cups, be careful not to damage the furniture the product is attached to.

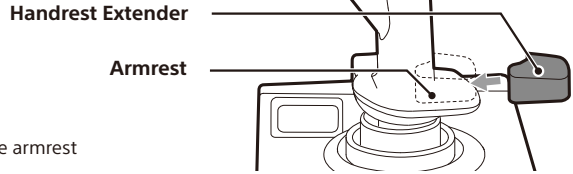


Throttle Bottom Side



Attaching the Handrest Extender

If you feel the joystick does not fit for your hands, try attaching the Handrest Extender to the base of the joystick. Peel off the sheet on the backside of the Handrest Extender and affix onto the base of the joystick as shown in the diagram.

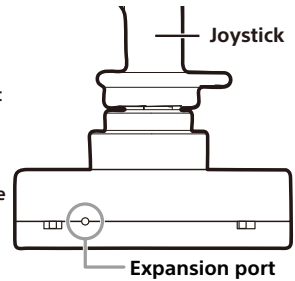


*Make sure to remove any dust or dirt from the armrest prior to affixing the Handrest Extender.

Expansion port

Connect the headset / microphone into the expansion port to use. Before placing a headset onto your ears, make sure to lower the volume to avoid hearing damage.

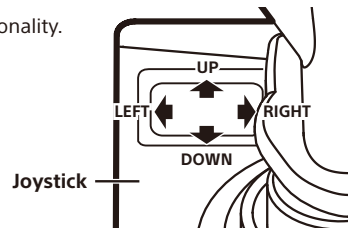
- ☑ **Headset usage at high volumes for extended periods of time may result in permanent hearing damage.**
- ☑ **If the volume is raised too high, there may be sudden loud noises that may damage your ears.**
- ☑ **Headphone / microphone feature is only for PlayStation®4. Not compatible with PlayStation®3 / Windows PC.**



Touch Pad

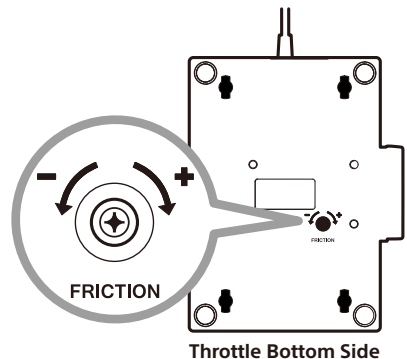
This product features DUALSHOCK®4 wireless controller touch pad functionality. The area of the touch pad is as shown below.

- ☑ **Touch pad is only for PlayStation®4. Not compatible with PlayStation®3 / Windows PC.**



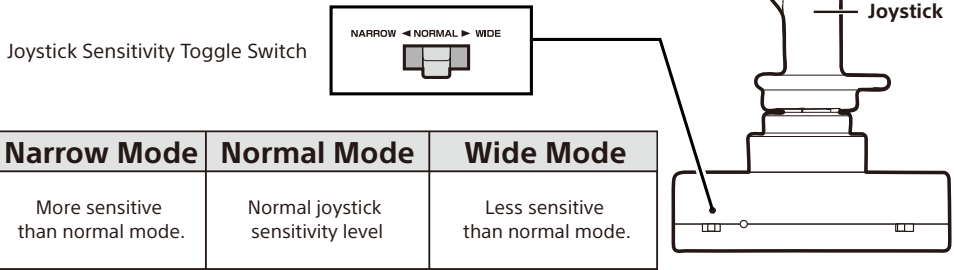
Adjusting throttle resistance

The resistance can be adjusted by turning the screw located on the bottom side of the throttle.



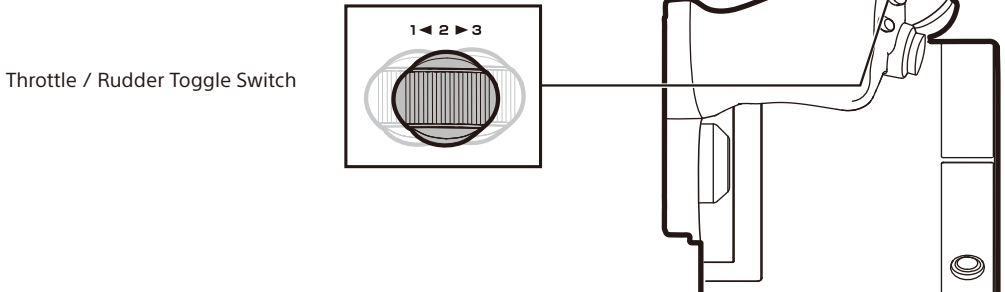
Adjusting joystick sensitivity

The joystick sensitivity toggle switch can be set to 3 different levels of sensitivity.



Throttle / Rudder Toggle Switch

The throttle / rudder sensitivity toggle switch can be set to 3 different settings as shown in the diagram.



	1	2	3
Switch position			
Throttle	R2 (UP) / L2 (DOWN)	R1 (UP) / L1 (DOWN)	Right Analog Stick vertical control
Rudder	R1 (RIGHT) / L1 (LEFT)	R2 (RIGHT) / L2 (LEFT)	Right Analog Stick horizontal control

Right analog stick will not function during Setting 3 (R3 will function)

- The image on the packaging may differ from the actual product.
- The manufacturer reserves the right to change the product design or specifications without notice.
- "PlayStation", "PS one" and "DUALSHOCK" are registered trademarks or trademarks of Sony Interactive Entertainment Inc. All rights reserved.
- All other trademarks are the property of their respective owners. Manufactured and distributed under license from Sony Interactive Entertainment LLC.
- and are registered trademarks of HORI.