

HIKVISION

DS-2AM1-612X /602X, DS-2AM1-613X/ 603X

DS-2AM1-614X /604X

Medium Speed Dome

Technical Manual



Notices

The information in this documentation is subject to change without notice and does not represent any commitment on behalf of HIKVISION. HIKVISION disclaims any liability whatsoever for incorrect data that may appear in this documentation. The product(s) described in this documentation are furnished subject to a license and may only be used in accordance with the terms and conditions of such license.

Copyright © 2006-2010 by HIKVISION. All rights reserved.

This documentation is issued in strict confidence and is to be used only for the purposes for which it is supplied. It may not be reproduced in whole or in part, in any form, or by any means or be used for any other purpose without prior written consent of HIKVISION and then only on the condition that this notice is included in any such reproduction. No information as to the contents or subject matter of this documentation, or any part thereof, or arising directly or indirectly therefrom, shall be given orally or in writing or shall be communicated in any manner whatsoever to any third party being an individual, firm, or company or any employee thereof without the prior written consent of HIKVISION. Use of this product is subject to acceptance of the HIKVISION agreement required to use this product. HIKVISION reserves the right to make changes to its products as circumstances may warrant, without notice.

This documentation is provided "as-is," without warranty of any kind.

Please send any comments regarding the documentation to:
overseabusiness@hikvision.com

Find out more about HIKVISION at www.hikvision.com

Contents

1. Key Features
2. Application
3. Specifications
4. Dimension
5. Accessories

1. Key Features

System function:

- 1/4" SONY high performance CCD
- High-precision motor with sensitive response and reliable movement. Precision bias less than 0.1°. No vibration under any selected speed
- Auto adaptive to HIKVISION, Pelco-P/D protocol in RS-485 control mode
- 3D intelligent positioning function. Through software or DVR, it can realize tracking and enlarging
- Power-off protection of setup parameters
- Power-off memory function: restore PTZ & Lens status after reboot
- Lightning protection, surge protection and voltage transient protection capabilities
- Outdoor dome meets IP66 standard
- Support Manchester Code

Camera function:

- Auto iris, auto focus, auto white balance, backlight compensation and auto/manual day & night switch

PTZ function:

- 360° endless pan range and -5°-90° tilt range
- Max. pan preset speed of 75°/s and max. tilt preset speed of 50°/s
- Manual pan speed of 0.2°~75°/s and manual tilt speed of 0.3°~50°/s
- 104 presets programmable
- 3 patrols, each patrol up to 16 presets
- 1 pattern, with the total recording time not less than 10 min
- Proportional zoom function, with rotation speed adjusted automatically according to zoom multiples
- Park action: auto callup of preset 1-3 / patrol 1 / pattern 1 / auto scan 1, after a defined time of inactivity

2. Application

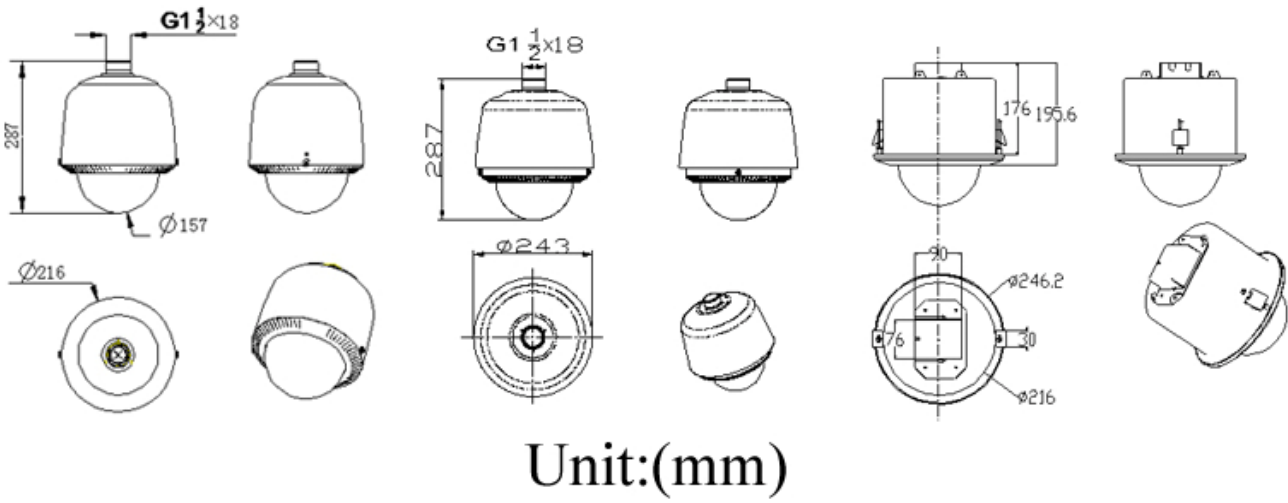
It can be widely used in wide range environments monitoring, e.g. river, forest, highroad, railway, airport, port, oil field, sentry, piazza, park, scenic zone, street, station, venue, and etc.

3. Specifications

Model		DS-2AM1-612X DS-2AM1-602X	DS-2AM1-613X DS-2AM1-603X	DS-2AM1-614X DS-2AM1-604X
Camera	Image Sensor	1/4 inch Sony Super HAD CCD	1/4 inch SONY EXVIEW CCD	1/4 inch Sony Super HAD CCD
	Effective Pixel	PAL:752(H)×582(V) NTSC:768(H)×494(V)		
	Horizontal Resolution	480 TVL	480 TVL(Color) 520 TVL(B/W)	
	Signal System	PAL /NTSC		
	Min.Illumination	0.1Lux/F1.6	0.7Lux/F1.4(Color) 0.01Lux/F1.4(B/W)	0.2Lux/F1.6(Color) 0.02Lux/F1.6(B/W)
	White Balance	Auto / Manual / ATW / Indoor / Outdoor		
	AGC	Auto / Manual		
	S / N Ratio	More than 50dB		
	BLC / WDR	BLC(On / Off)		
	Electronic Shutter	PAL:1/50~1/10,000s(auto) NTSC:1/60~1/10,000s(auto)	PAL:1/3~1/10,000s(auto) NTSC:1/4~1/10,000s(auto)	PAL:1/50~1/10,000s(auto) NTSC:1/60~1/10,000s(auto)
	Day & Night	Electronic	ICR	
	Digital Zoom	—	12x	—
	Focus Model	Auto / Manual		
Lens	Focal Length	3.9-85.8mm,22X	4.1-73.8mm,18X	3.84-88.4mm,23X
	Zoom Speed	Approx.3.7s(Optical Wide-Tele)	Approx2.1s(Optical Wide-Tele)	Approx.5.4s(Optical Wide-Tele)
	Angle of View	51.2-4.2 degree (Wide-Tele)	48-2.8 degree (Wide-Tele)	52.2-2.36 degree (Wide-Tele)
	Min. Working Distance	10-1000mm (Wide-Tele)	10-800mm (Wide-Tele)	10-1200mm (Wide-Tele)
	Aperture Range	F1.6-F3.7	F1.4-F3.0	F1.6-F3.2
Pan and Tilt	Pan Range	360°endless		
	Pan Speed	Pan Manual Speed: 0.2°~75°/s, Pan Preset Speed: 75°/s		
	Tilt Range	-5°~90°		
	Tilt Speed	Tilt Manual Speed: 0.2°~50°/s, Tilt Preset Speed: 50°/s		

	Proportional Zoom	Support
	Number of Preset	104
	Patrol	3 patrols, each patrol up to 16 presets
	pattern	1 pattern, with the total recording time not less than 10 min
	Power-off Memory	Support
	Park Action	Preset 1-3 / Patrol 1 / Pattern 1 / Auto Scan 1
Input/ Output	Monitor Output	1.0V[p-p] / 75Ω, NTSC (or PAL) composite, BNC
General	RS-485 Protocols	HIKVISION, Pelco-P, Pelco-D (addible), self-adaptive
	Power Supply	24VAC (12V DC option)
	Power Consumption	15W max(30W max with heater, outdoor dome)
	Working Temperature / Humidity	-30 °C~65°C(outdoor) / -10°C~50°C(indoor) 90% or less
	Protection Level	IP66 standard (outdoor dome) TVS 3000V lightning protection, surge protection and voltage transient protection
	Mounting	Various mounting modes option
	Dimension	Φ243(mm)×287(mm)
	Weight (approx.)	5kg
	Mount Option	Wall Mount:DS-1611ZJ(White);Corner Mount:DS-1632ZJ(White); Indoor pendant mount:DS-1651ZJ(White);Ceiling Mount:DS-1642ZJ(White)

4. Dimension



5. Accessories



DS-1611ZJ Long-arm Wall Mount (White)