



OWNER'S MANUAL

DISHWASHER



Before beginning installation, read these instructions carefully. This will simplify installation and ensure that the product is installed correctly and safely. Leave these instructions near the product after installation for future reference.

ENGLISH

DF425*** / DF325*** / DF325**



MFL70282456
Rev.01_101420

www.lg.com

Copyright © 2020 LG Electronics Inc. All Rights Reserved.

TABLE OF CONTENTS

This manual may contain images or content that may be different from the model you purchased.
This manual is subject to revision by the manufacturer.

SAFETY INSTRUCTIONS

READ ALL INSTRUCTIONS BEFORE USE..... 4
WARNING STATEMENTS 4
CAUTION STATEMENTS 9
CARING FOR THE ENVIRONMENT 11

INSTALLATION

Parts and Specifications 12
Preparing Cabinet Opening 14
Levelling the Appliance 17
Installing the Drain Hose 18
Preparing Water and Electrical Connections..... 19
Final Installation Check 20

OPERATION

Before Using 22
Operation Overview..... 25
Control Panel 27
Wash Cycles 28
Options and Extra Functions 29
Programme Table 32
Information for Test 39
Loading the Dishwasher 40
Adding Cleaning Agents..... 46
Refilling..... 47
Useful Tips..... 48

SMART FUNCTIONS

LG ThinQ Application 49
Smart Diagnosis 51

MAINTENANCE

Cleaning and Caring 53

TROUBLESHOOTING

Before Calling for Service.....57

APPENDIX

Product Fiche63

SAFETY INSTRUCTIONS

READ ALL INSTRUCTIONS BEFORE USE

The following safety guidelines are intended to prevent unforeseen risks or damage from unsafe or incorrect operation of the appliance. The guidelines are separated into 'WARNING' and 'CAUTION' as described below.

Safety Messages



This symbol is displayed to indicate matters and operations that can cause risk.

Read the part with this symbol carefully and follow the instructions in order to avoid risk.



WARNING

This indicates that the failure to follow the instructions can cause serious injury or death.



CAUTION

This indicates that the failure to follow the instructions can cause minor injury or damage to the product.

WARNING STATEMENTS



WARNING

- To reduce the risk of explosion, fire, death, electric shock, injury or scalding to persons when using this product, follow basic precautions, including the following:
-

Technical Safety

- This appliance is not intended for use by persons (including children) with reduced physical, sensory or mental capabilities, or lack of experience and knowledge, unless they have been given supervision

or instruction concerning use of the appliance by a person responsible for their safety. Children should be supervised to ensure that they do not play with the appliance.

- Observe the information given in Specifications regarding the maximum number of place settings to be washed of the dishwasher.
- The water pressure must be between 0.05 MPa and 0.6 MPa.

Installation

- Never attempt to operate the appliance if it is damaged, malfunctioning, partially disassembled, or has missing or broken parts, including a damaged cord or plug.
- If the power cord is damaged or the hole of the socket outlet is loose, do not use the power cord and contact an authorized service centre.
- Do not modify the power cord provided with the appliance. Please contact the LG Customer information centre to advise of its incompatibility.
- This appliance should only be transported by two or more people holding the appliance securely.
- Do not install the appliance in a damp and dusty place. Do not install or store the appliance in any outdoor area, or any area that is subject to weathering conditions such as direct sunlight, wind, or rain or temperatures below freezing.
- Do not plug multiple socket outlets, an extension power cable or adapter with this appliance.
- Disconnect the power cord, house fuse or circuit breaker before installing or servicing the appliance.
- When moving or installing the product in a different location, call qualified service personnel for installation and service.
- Fix the drain hose securely in place.
- This appliance is not designed for maritime use or for mobile installations such as in RVs, trailers, or aircraft.
- This appliance must be positioned near to an electrical power supply.

- When installing or moving the appliance, be careful not to pinch, crush, or damage the power cord.
- Use new hose or hose-set supplied with the appliance. Reusing old hoses can cause a water leak and subsequent property damage.
- Improper connection of the equipment-grounding conductor can result in risk of electric shock. Check with a qualified electrician or service personnel if you are in doubt as to whether the appliance is properly grounded.
- This appliance must be grounded. In the event of malfunction or breakdown, grounding will reduce the risk of electric shock by providing a path of least resistance for electric current.
- This appliance is equipped with a power cord having an equipment-grounding conductor and a grounding power plug. The power plug must be plugged into an appropriate socket outlet that is installed and grounded in accordance with all local codes and ordinances.
- After installing, check the hose connection for leaks before moving the appliance into the cabinet opening.
- Do not damage or place heavy items on the power cord of the appliance.
- This appliance is intended to be used in household and domestic applications only and must not be used for commercial purposes.
- For a permanently connected dishwasher: This appliance must be connected to a grounded metal, permanent wiring system, or an equipment-grounding conductor must be run with the circuit conductors and connected to the equipment-grounding terminal or lead to the appliance.
- Connect the ground wire to the green ground connector in the terminal box.

Operation

- Immediately unplug the power plug and contact an LG Electronics customer information centre if you detect a strange sound, odour, or smoke coming from the appliance.

- Do not repair or replace any part of the appliance. All repairs and servicing must be performed by qualified service personnel unless specifically recommended in this Owner's Manual. Use only authorized factory parts.
- Do not leave the appliance door open. Children may hang on the door or crawl inside the appliance, causing damage or injury.
- Do not use flammable gas and combustible substances (benzene, gasoline, thinner, petroleum, alcohol, etc.) near the appliance.
- Do not attempt to separate any panels or disassemble the appliance. Do not apply any sharp objects to the control panel in order to operate the appliance.
- Do not bend the power cable excessively or place a heavy object on it.
- Do not put animals, such as pets into the appliance.
- Do not touch the power plug or the appliance controls with wet hands.
- If there is a gas leakage (isobutane, propane, natural gas, etc.), do not touch the appliance or power plug and ventilate the area immediately.
- In case of flood, disconnect the power plug and contact the LG Electronics Customer Information Centre.
- Under certain conditions, hydrogen gas may be produced in a hot-water system that has not been used for two weeks or more. **HYDROGEN GAS IS EXPLOSIVE.** If the hot-water system has not been used for such a period, before using the appliance turn on all hot water tap and let the water flow from each for several minutes. This will release any accumulated hydrogen gas. As the gas is flammable, do not smoke or use an open flame during this time.
- Keep the area underneath and around your appliances free of combustible materials such as lint, paper, rags, chemicals, etc.
- Some dishwasher detergents are strongly alkaline. They can be extremely dangerous if swallowed. Avoid contact with the skin and eyes and keep children away from the dishwasher when the door is open. Check that the detergent receptacle is empty after completion of the wash cycle.

- Do not operate the appliance unless all enclosure panels are properly in place.
- Use only detergents or wetting agents recommended for use in a appliance and keep them out of the reach of children.
- Do not wash and dry articles that have been soaked in explosive substances such as gasoline, solvents, solvent-based detergent.
- When loading items to be washed:
 - Locate sharp items so that they are not likely to damage the door seal.
 - Load sharp knives with the handles up to reduce the risk of cut-type injuries.
- Do not wash plastic items unless they are marked “dishwasher safe” or the equivalent. For plastic items not so marked, check the manufacturer’s recommendations.
- Do not touch any heating element (where it is exposed) during or immediately after use.
- Do not abuse, sit on, or stand on the door or dish rack of the dishwasher.
- After cleaning the dishes, turn off the tap. Turn on the tap again and check the connection status of water supply hose before cleaning.
- Do not open the door while the appliance is in operation. Water will splash out and could cause a slipping hazard.
- Be careful not to catch your hand when closing the door of the appliance.
- Do not wash and dry articles that have been soaked in explosive substances such as gasoline, solvents, solvent-based detergent.
- Do not come into contact with any fitted steam outlet.
- Small parts, such as rack clips and filter retaining posts can be a choke hazard to small children if removed from the dishwasher. Keep out of reach of small children.
- Knives and other utensils with sharp points must be loaded in the basket with their points down or placed in a horizontal position.

- The door should not be left in the open position since this could present a tripping hazard.

Maintenance

- Never unplug the appliance by pulling on the power cable. Always grip the power plug firmly and pull straight out from the socket outlet.
- Securely plug the power plug in the socket outlet after completely removing any moisture and dust.
- Do not spray water inside or outside the appliance to clean it.
- Disconnect the appliance from the power supply before cleaning the appliance. Setting the controls to the OFF or stand by position does not disconnect this appliance from the power supply.

Disposal

- Before discarding an old appliance, unplug it. Cut off the cable directly behind the appliance to prevent misuse.
- Dispose of all packaging materials (such as plastic bags and styrofoam) away from children. The packaging materials can cause suffocation.
- Remove the door before disposing of or discarding this appliance to avoid the danger of children or small animals getting trapped inside.

CAUTION STATEMENTS

CAUTION

- To reduce the risk of fire, electric shock, or injury to persons when using your product, basic safety precautions should be followed, including the following:

Installation

- Install the product on a firm and level floor.
- Do not put the drain hose under the dishwasher during installation.

Operation

- Turn off the water tap and unplug the appliance if the appliance is to be left for an extended period of time, such as during vacations.
- Do not place objects on the top of the appliance.
- Do not wipe or coat the surface of the product with liquid detergent or bleach (chlorine bleach, oxygen bleach, etc). Failure to follow these instructions may result in corrosion or discoloration of the coating.
- Do not touch water draining from the machine as it may be hot.
- If the drain hose and the water supply hose are frozen in winter, defrost before using.
- Do not put hands, feet, or metal objects below or behind the appliance.
- Do not wash dishes stained with chemical products such as oil, cream or lotions used in a massage parlor, skin care shop, beauty shop or barber shop.

Maintenance

- If cooking oil is spilled on the exterior of the product, wipe it off immediately. Do not clean the exterior of the product with cleaners which contain alcohol, thinners, bleach, benzene, flammable liquids, or abrasives. These substances may discolor or damage the appliance.

CARING FOR THE ENVIRONMENT

Disposal of Your Old Appliance



- This crossed-out wheeled bin symbol indicates that waste electrical and electronic products (WEEE) should be disposed of separately from the municipal waste stream.
- Old electrical products can contain hazardous substances so correct disposal of your old appliance will help prevent potential negative consequences for the environment and human health. Your old appliance may contain reusable parts that could be used to repair other products, and other valuable materials that can be recycled to conserve limited resources.
- You can take your appliance either to the shop where you purchased the product, or contact your local government waste office for details of your nearest authorised WEEE collection point. For the most up to date information for your country, please see www.lg.com/global/recycling.

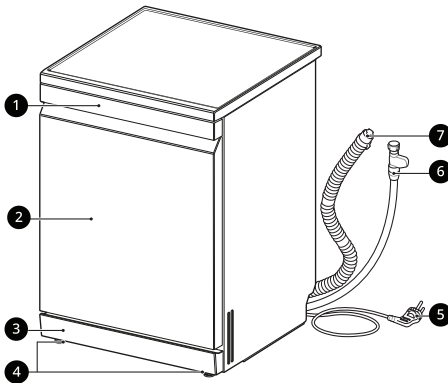
INSTALLATION

Parts and Specifications

NOTE

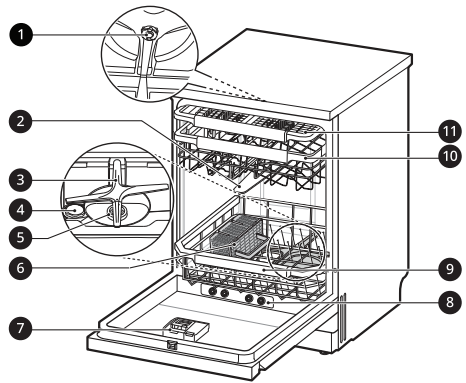
- Appearance and specifications may change without notice to improve the quality of the appliance.

Front View



- ① Control Panel & Door Handle
- ② Front Cover
- ③ Lower Cover
- ④ Levelling Feet
- ⑤ Power Cord
- ⑥ Water Supply Hose
- ⑦ Drain Hose

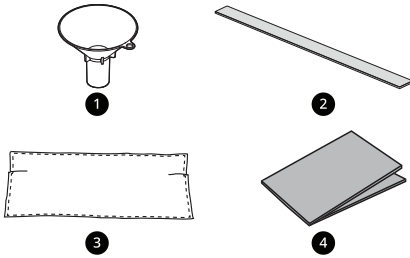
Interior View



- ① Top Wash Impeller
- ② Upper Spray Arm
- ③ Lower Spray Arm
- ④ Salt Container Cap
- ⑤ Filtration System
- ⑥ Cutlery Basket*¹
- ⑦ Detergent and Rinse Aid Dispenser
- ⑧ Steam Nozzle*¹
- ⑨ Lower Rack
- ⑩ Upper Rack
- ⑪ Cutlery Rack*¹

*1 This feature is only available on some models.

Accessories



- ❶ Funnel
- ❷ Noise Strap*¹
- ❸ Cover Felt
- ❹ Moisture Barrier Tape (Aluminum tape)

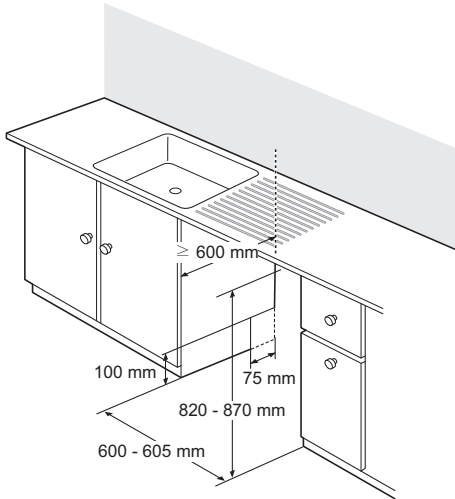
*1 Noise strips are provided: Lower - 1 EA, Front - 1 EA, Side - 2 EA

Specifications

Model	DF325*** / DF325**	DF425***
Power Supply	220 - 240 V~, 50 Hz	
Dimension (Width X Depth X Height)	600 mm X 600 mm X 850 mm	
Product Weight	Approx. 49 kg	Approx. 52 kg
Max. Capacity	14 Place Settings	
Permissible Inlet Water Pressure	0.05 - 0.6 MPa	
Power Consumption	1600 - 1800 W	

Preparing Cabinet Opening

Choosing the Proper Location



- Install the appliance on a flat and stable area floor.
- Cut out for hoses and electrical cables on either side. (Approximately 100 mm X 75 mm)
- Select a location as close to the sink as possible for ease of connection to the water and drain pipes.
- To ensure drainage, the appliance should not be installed more than 1 metre away from the sink.
- If the appliance is installed in a corner, allow minimum clearance of at least 50 mm between the appliance and an adjacent cabinet or wall.
- Before sliding the appliance into the installation opening, all necessary height adjustments should be made using a spanner.

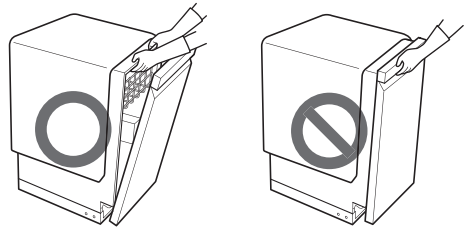
CAUTION

- Any bare wood surrounding the appliance should be sealed with a waterproof paint or sealant to prevent it from swelling.
- Slide the dishwasher into the cabinet, opening carefully. Make sure that the drain hose behind the machine and inside the cabinet is not kinked or stretched.

- Install the appliance on a flat and stable area. Do not place any objects in-between the floor and base or leg off the appliance.

NOTE

- This installation must be conducted by qualified service personnel to ensure it has been installed correctly.
- Do not pull or lift the appliance using the handle; dosing so can damage the door and hinges. Open the door and grab the body frame and the top front opening of the tub to move or lift the appliance.



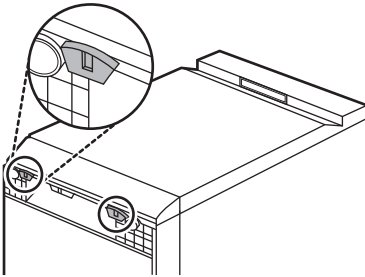
- Do not push the door of the dishwasher with your knees.



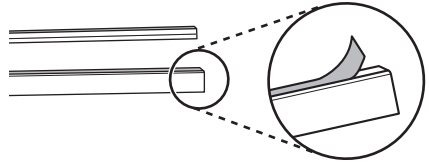
Attaching the Strip to the Appliance Base

To reduce noise attach the strip to the appliance base.

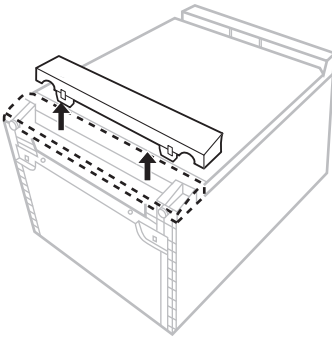
- 1** Lay down the appliance and pull on both the hooks at the bottom of the lower cover.



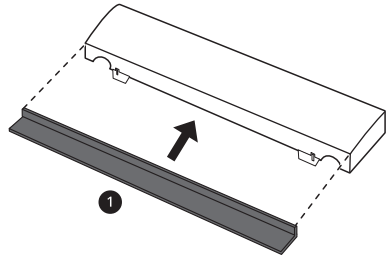
- 4** Remove the double-sided tape from the lower and front strips.



- 2** Pull on the lower cover to remove it.

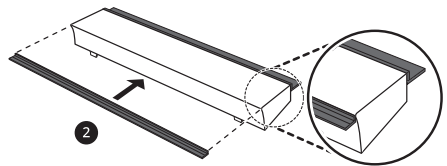


- 5** Attach the black coloured lower strip **1** to the bottom of the lower cover.

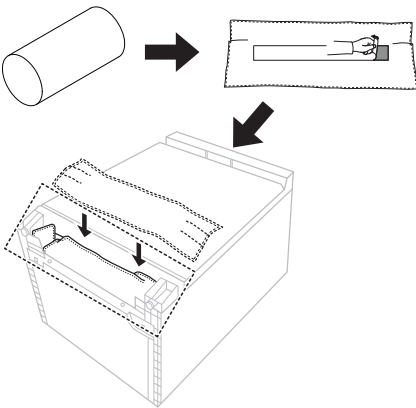


- 6** Attach the black coloured front strip **2** to the top of the lower cover.

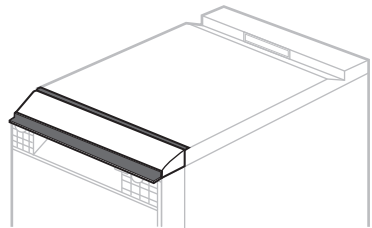
- The length of the front strip is longer than the lower cover. Attach the front strip so that the overhang is equal on both sides of the lower cover.



- 3** Remove the double-sided tape on the back of the felt and attach it to the front side of the appliance's bottom.



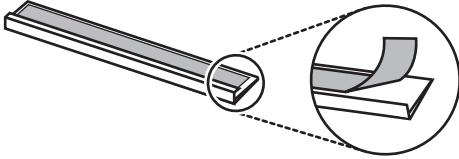
- 7** Attach the lower cover with the strip onto the appliance.



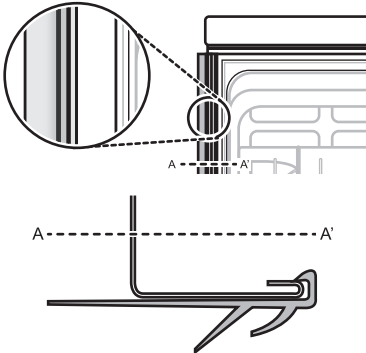
Attaching the Strip to the Appliance Side Cabinet

To reduce noise attach the strip to the appliance sides, if the opening space allows.

- 1 Remove the double-side tape from the side strips.



- 2 Attach the side strip to the front of the side cabinet and then push down the side strip so that the side strip adheres well to the cabinet.

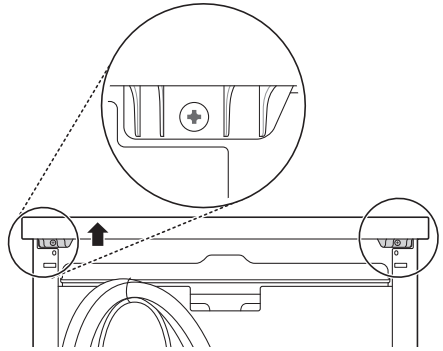


- 3 Repeat the above steps for attaching the opposite side strip to the opposite side cabinet.

Removing the Top Cover

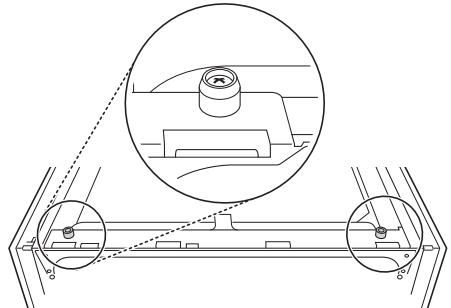
If the height of the opening is below 850 mm, follow these instructions.

- 1 Remove the 2 screws on the back.



- 2 Pull the top cover backwards after removing the two screws and then lift it up to remove it.

- 3 Remove the locating pins on the top by using a Phillips screw driver.



NOTE

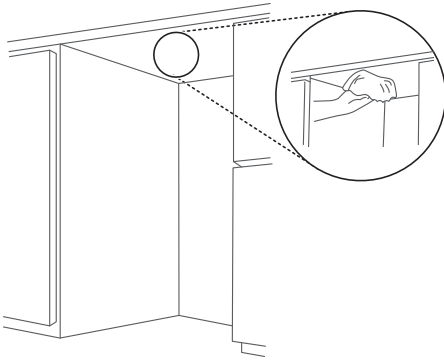
- When the appliance is correctly leveled, there should be no slant, stickiness or rubbing sound when the door is opened.

Installing Moisture Barrier Tape

When the appliance is installed without the top cover, the counter top underside may be damaged by steam or condensation when the door is opened.

- Install the moisture barrier tape to the underside of counter top to protect the counter top from condensation when the appliance opened.

- 1 Clean and dry the underside of the counter top on which the tape will be attached.



Levelling the Appliance

Checking the Level

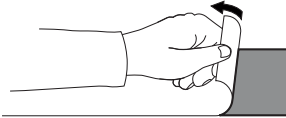
Levelling the appliance prevents unnecessary leakage and poor washing. Check whether the appliance is perfectly level after installation.

- If the appliance rocks when pushing the top plate of the appliance diagonally, adjust the feet again.

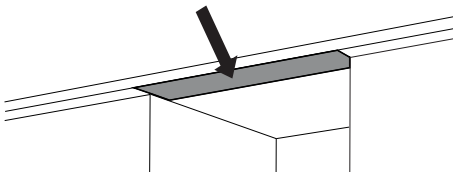
NOTE

- The appliance is not level if there is a rubbing sound or stickiness when the door is opened.

- 2 Remove the protective film from the tape.



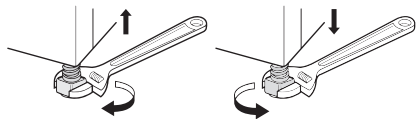
- 3 Install the tape to the underside of the counter top.



Adjusting and Leveling the Appliance

When the appliance is not perfectly level, turn the adjustable feet until the appliance no longer wobbles.

- Turn the adjustable feet clockwise to raise or turn the adjustable feet counterclockwise to lower from front-to-back, side-to-side and corner-to-corner.



NOTE

- Moisture barrier tape is included in the manual assembly bag.
- If the counter top is made of granite or waterproof materials, the moisture barrier tape is not required.
- Condensation may occur on the underside or along the front edge of the counter top when the room temperature is low.

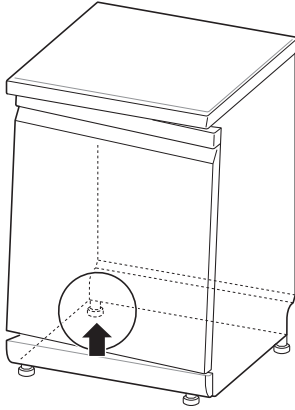
NOTE

- Place the appliance on a solid, level floor.
- Do not install the appliance on an elevated surface.

Case 1. The Door is Slanted to the Right

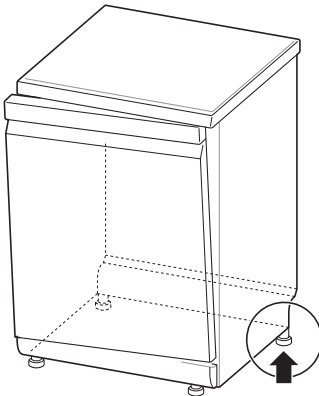
- 1 Unscrew (counter-clockwise) the rear left leg and correct the level.

- 2** Check the opening of door and repeat if necessary until the door opens and closes properly.



Case 2. The Door is Slanted to the Left

- 1** Unscrew (counter-clockwise) the rear right leg and correct the level.
- 2** Check the opening of door and repeat if necessary until the door opens and closes properly.



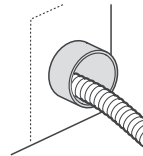
- This should be available from a plumbing shop or a hardware store.

Connection to the Waste Spigot

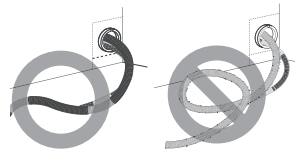
Check the waste spigot when initially installing. An **⚠** error can occur when the waste spigot below the sink is not drilled out properly. To connect the drain hose, drill out at least a 15 mm diameter hole in the waste spigot before connecting and securing.

⚠ CAUTION

- Make sure that plastic debris is not remaining inside of spigot after it has been drilled out.
- Do not attempt to open the waste hole with a screwdriver and hammer. This will induce debris to become stuck and cause a malfunction.
- Caution should be taken when passing hoses through Cabinetry holes as they may have sharp edges and could damage the hoses. Smooth or sand edges to avoid damaging the drain or inlet hose.



- Make sure that the line is not kinked or sharply bent.



- Make sure the drain hose is straight before feeding the end of it through the hole for the water supply.

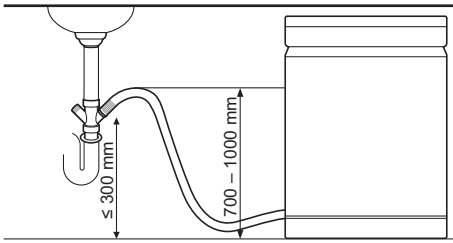
To prevent siphoning, one of the following methods must be used.

Installing the Drain Hose

If the end of the drain hose does not fit to the drain line, use a drain extension kit (optional) that is resistant to heat and detergent.

Method 1

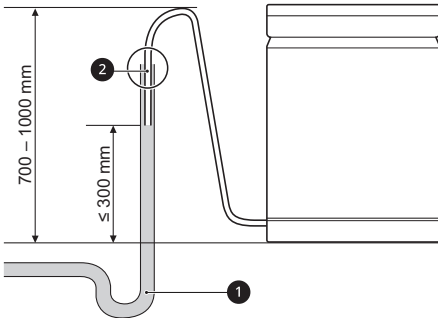
When the drain hose is connected to a waste spigot, the hose must be looped up to the underside of the bench top and secured.



Method 2

When the drain hose is connected to a separate standpipe ①, it is essential that an airtight connection ② be made. If not, it can induce odours.

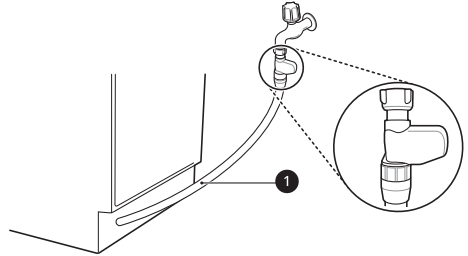
- Standpipe diameter is at least 40 mm.



Preparing Water and Electrical Connections

Connecting the Hose to the Water Tap

Connect the water supply hose ① to the water tap.

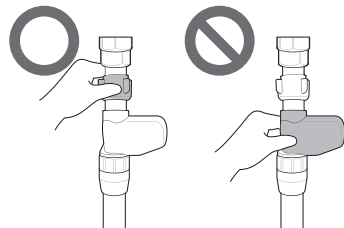


⚠ WARNING

- Do not shorten or damage the water supply hose as it contains electrical wires and components. It can not be detached or removed from the appliance for installation purposes.
- It is important that the water supply hose not be tampered with, cut, disassembled, pulled, or kinked. It contains electrical wiring inside and if damaged, can cause an electrical hazard.

⚠ CAUTION

- Only use the threaded nut of the water supply hose to tighten it to the tap.
- Do not twist or kink the water supply hose when connecting it to the tap.



- This appliance may be fed with either hot or cold water. If the water connection can not be maintained below 65°C, the appliance must be connected to cold water.

⚠ CAUTION

- Use sealant tape or sealing compound on the tap's thread to avoid water leaks.
- Make sure that the line is not kinked or sharply bent.

NOTE

- Before connecting the water supply hose to the tap, turn on the tap to flush out foreign substances (dirt, sand or sawdust) in the water lines. Let water drain into a bucket.
- It takes about 3 – 4 minutes for the first supply water.

Routing Electrical Wiring

Connect the appliance to an earthed socket in accordance with the current wiring regulations, protected by a minimum 15 amp circuit breaker or time delay fuse.

Wiring must be two wires with earth.

The power cord should not be positioned behind the appliance but within 1.2 meters of the side so that the plug is easily accessible.

⚠ WARNING

- For personal safety, remove house fuse or open circuit breaker or switch off power plug before installation.
- Do not use an extension cord or double adapter.
- The plug must be plugged into an appropriate outlet that is properly installed and grounded in accordance with all local codes and ordinances.
- Repairs to the appliance must only be carried out by qualified service personnel. Repairs carried out by inexperienced persons may cause injury or serious malfunctioning. Contact our local service centre.
- Connect to a properly rated, protected, and sized power circuit to avoid electrical overload.

Final Installation Check

Testing the Dishwasher

- 1 Turn on electrical power.
- 2 Turn on house water supply.
- 3 The door should open and close smoothly and without harsh noises, if the unit has been levelled correctly.
- 4 Run the appliance on a **Rinse** cycle to verify proper operation and check for leaks.

Installation Check Error Codes

Error Code	Possible Cause and Solution
OE	<p>Drain hose kinked or pinched.</p> <ul style="list-style-type: none"> • Feed the drainage and supply hoses through the hole under the sink. Then gradually slide the dishwasher into the cabinet while pulling on the hoses under the sink to take up any slack. This helps avoid kinking the hoses or trapping them beneath the dishwasher.
	<p>Waste spigot under sink is clogged.</p> <ul style="list-style-type: none"> • Drill out the waste spigot under the sink.

Error Code	Possible Cause and Solution
IE	Water supply line kinked under dishwasher. <ul style="list-style-type: none">• Feed the drainage and supply hoses through the hole under the sink. Then gradually slide the dishwasher into the cabinet while pulling on the hoses under the sink to take up any slack. This helps avoid kinking the hoses or trapping them beneath the dishwasher.
	House water supply not turned on. <ul style="list-style-type: none">• Turn water on. Water pressure may be too high or too low.

OPERATION

Before Using

This model has a water softener to soften hard water.

NOTE

- The appliance can be used without dishwasher salt if not required, however, the hardness level needs to be set to H0 so that the icon does not remain lit.
- In order to provide satisfactory rinsing results, the appliance requires soft water, i.e., containing little or no lime, otherwise water stains will be left behind on the dishes and inside the appliance.
- If the tap water exceeds a certain level of hardness, it must be softened, i.e., decalcified. This is achieved by adding dishwasher salt to the water softener inside the appliance. The required amount of the salt is set up according to how hard tap water is.

Checking Water Hardness Level

Method 1

- 1** Check the water hardness in your area. The water utility company can help you with this.
- 2** Set the softening system level of the appliance according to the water hardness level.

Method 2

You can check water hardness by using the test strip included in the product.

- 1** Immerse all reaction zones of the test strip for about a second. Do not in running water.
- 2** Shake off excess liquid from the strip and wait for 1 minute.
- 3** Check the water hardness colour from the strip. Refer to the wrapper.

Water Hardness Table

Water Hardness							Softening level	Ratio*1
ppm	°d	°e	°f	mmol/l (Ca+Mg)	mg/l (Ca)	Range		
0	<4	<5	<7	<0.7	<29	Soft	H0	-
75	4 - 7	5 - 9	7 - 13	0.7 - 1.3	29 - 50		H1	1:24
125	7 - 14	9 - 17.5	13 - 25	1.3 - 2.5	50 - 100		H2	1:7
250	14 - 21	17.5 - 26	25 - 38	2.5 - 3.8	100 - 150		H3	1:4
375	>21	>26	>38	>3.8	>150	Hard	H4	2:1

*1 The number of water softener regeneration(s)*2: The number of wash cycle(s)*3

*2 A water softener regeneration takes place at the end of a main wash operation according to the **ECO** programme.

*3 A wash cycle consists of 4 operations(Pre-wash, Main wash, Rinse, Heating rinse) according to the **ECO** programme.

Setting the Water Softening System

For effective washing results, adjust the setting corresponding to the hardness level of water used in water supply. The water softener has 5 adjustment levels, and the appliance is programmed at the factory for a water hardness level of H2. You can check the default setting value and adjust it in the following steps:

- 1 Press **Power** and **Half Load** button simultaneously.
 - Current setting value indicated.
- 2 Press the **Delay Start** button, and then set up the intended value.
 - Scope of setting value is H0 to H4.
- 3 Press the **Start** button to save the setting.
 - The power turns off after saving.

NOTE

- The **Salt Refill** icon turns on in the display if dishwasher salt is not in the softening system.
- If the hardness setting is set to H0, no icon indicates in spite of no salt.

Filling with Dishwasher Salt

The salt dispenser must be filled with salt before starting the washing programme. In case of insufficient salt, the **Salt Refill** icon indicates on the display, unless the hardness level has been set to H0.

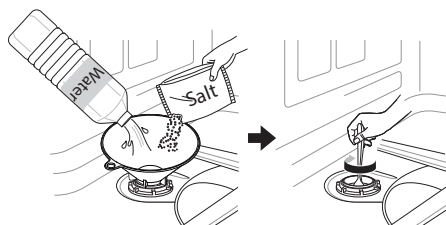
CAUTION

- Once you have filled with dishwasher salt you must run the Rinse cycle immediately to remove the salt and the salt water around the inner tub in order to prevent corrosion.

24 OPERATION

1 Remove the lower rack and remove the cap of the salt dispenser located on the left side of the filters.

2 Before using the appliance for the first time, it is necessary to pour 1 kg of dishwasher salt and 1 litre of water at the same time if intending to use the water softener system. When refilling the salt, use a funnel. Refer to **Before Using** section.



3 Refit the cap tightly.

4 Run the **Rinse** cycle without dishes.

Salt Refill Cycle (1 kg for each load)

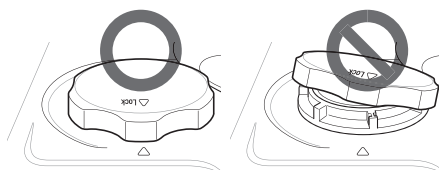
	H1	H2	H3	H4
Cycles	130	50	20	10

- The table describes information of **Auto** programme.
- Cycle may vary on the salt refill amount.

CAUTION

- Do not pour any detergent in the salt dispenser. It will cause a malfunction.
- Wipe off any spilled salt around the salt dispenser cap. Saline solution that runs into can cause corrosion in the tub and to the dishwasher load.
- Seal the cap properly by aligning it horizontally and turning it clockwise. A loosely fitted cap may cause the saline solution to leak from the salt dispenser into the tub and cause corrosion.
- After refilling the dishwasher salt, a wash programme should be operated without dishes, as any spilled salt inside the appliance may cause

rust or damage to the appliance if the left unwashed.



NOTE

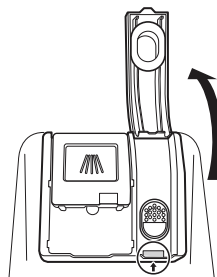
- The salt can be purchased from salt distributors.

Adding Rinse Aid

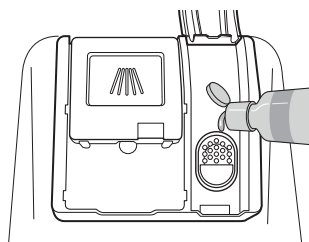
The **Rinse Aid** indicator appears in the display when more rinse aid is needed.

The use of rinse aid is recommended to prevent water spots on dishes and to enhance drying results.

1 Open the rinse aid lid by lifting up the flap.



2 Add a liquid rinse aid to the maximum fill level. The rinse aid should be settled in the dispenser while filling, or air bubbles may result in poor drying results.



- 3** Close the lid to lock the dispenser. Rinse aid is dispensed automatically during the final rinse cycle.

⚠ CAUTION

- Wipe off any spilled rinse aid to prevent suds.

NOTE

- Only use liquid rinse aid in the appliance.
- Do not overfill the rinse aid dispenser.
- Too much or too little rinse aid can inhibit the drying results.
- If rinse aid flows out of the dispenser, wipe it off. Otherwise many suds can occur and stain the dishwasher.

Setting the Rinse Aid Level

The dispenser has five adjustment levels. The default programme is rinse aid level 2. This can be checked and altered by using the buttons on the control panel.

- 1** Ensure the appliance is off.
- 2** Press **Power** and **Dual Zone** simultaneously to check the current setting.
- 3** Press **Delay Start** to change the rinse aid dispenser setting. Each press of the button changes the setting one step from L0(off) to L4.
- 4** Once the desired rinse aid dispenser setting is selected, press **Start** to save.
 - The power turns off after saving.

⚠ CAUTION

- If the rinse aid lid is not closed properly, a large amount of rinse aid will release into the tub and cause washability problems.

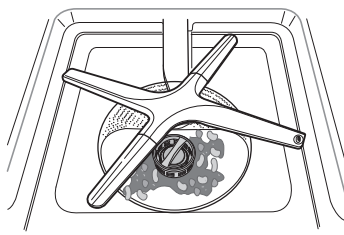
NOTE

- The **Rinse Aid Refill** ☼ icon will illuminate when more rinse aid is needed.
- If you notice cloudy spots, streaks or water marks on the glassware after washing, increase the setting level.
- Setting the control too high can cause foaming, which will cause poor wash results.
- If the glass is smeared or foam is present on the bottom, decrease the level setting.
- Setting the rinse aid control too low can cause spotting and streaking on dishes and poor drying results.

Operation Overview

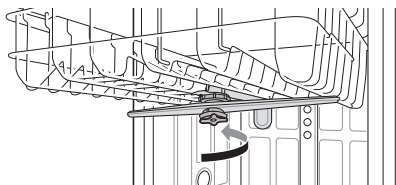
Using the Appliance

- 1 Press the Power button.**
 - The unit will turn on. Check the indicators.
- 2 Check that there is rinse aid and dishwasher salt present.**
 - Refill the rinse aid and the salt, if the corresponding icons illuminate. For more information, refer to **Refilling** section.
 - ☼ : Salt Refill Icon
 - ☼ : Rinse Aid Refill Icon
- 3 Open the door and check the filters.**
 - Always clean the filter either after a wash or before a wash so that it does not impair the washing results.



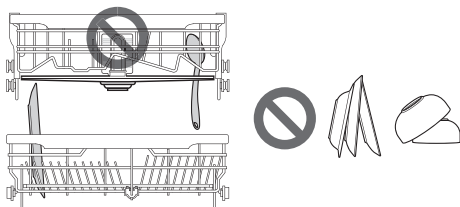
4 Ensure the spray arms can unobstructedly rotate.

- Ensure that the upper spray arms and the lower spray arms rotate well. Remove the spray arm and clean it if it does not rotate.



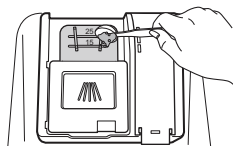
5 Load the dishes in the rack.

- Make certain that no dishes or utensils are in the path of the spray arms.
- Do not place one dish on top of another.



6 Add the proper amount of detergent powder to the dispenser.

- If using Tablets, they can simply be placed directly on the base of the tub, or on the lower part of the inner door.



7 Set and start the programme.

- The programme will start automatically in 4 seconds after any setting is selected.

⚠ WARNING

- Do not load any items in upper rack when the lower rack is pulled out and loaded. Failure to do so may result in injury as the appliance could become unbalanced and topple over.
- Push the upper rack in all the way.

- Empty the lower rack first and then the upper one. It will avoid water dripping from the upper rack onto the dishes below.
- Do not open the door during operation or right after it has completed the wash cycle as the steam may cause scalding as the door is opened.

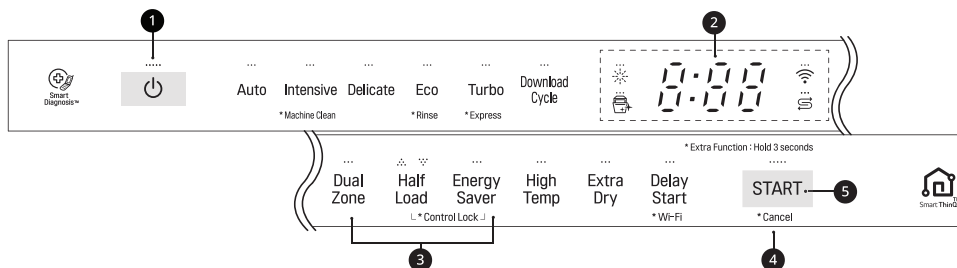
NOTE

- Never use liquid dishwashing detergent in the appliance.
- It is not recommended to rinse the dishes manually before operating the dishwasher because it increases water and energy consumption.
- Washing tableware in a household dishwasher usually consumes less energy and water in the use phase than hand dishwashing when the household dishwasher is used according to the manufacturer's instructions.

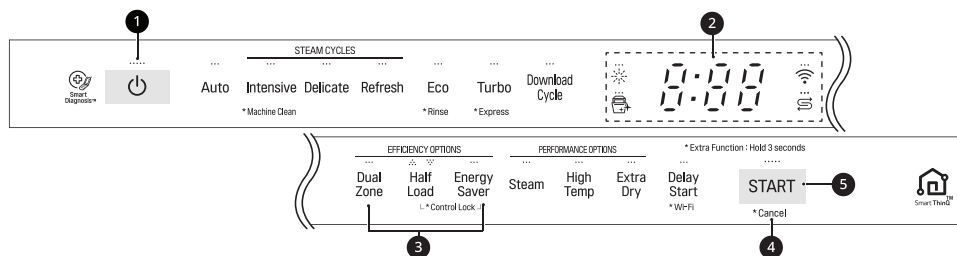
Control Panel

Control Panel Features

For Non-Steam Models



For Steam Models




1 Power

- Press **Power** button to turn power on and off.
- After the cycle is complete, the power automatically turns off for purposes of safety and economy.
- If there is a power surge, power outage, or disruption of any kind, power is automatically turned off for safety.
- When power is connected again, it will turn on automatically and resume the cycle.

2 Display

- **8:88 : Digital Display**
 - The digital display on the control panel shows the ESTIMATED cycle time. When the cycle and options are selected, the display shows the total estimated time to complete those selections. During operation, the display shows the remaining estimated operating time.
 - The estimated time shown on the display does not include delay times for heating water, etc.
 - If **Delay Start** is selected, the display shows the delay time in hours.
 - The **Auto** cycle time may vary depending on the soil level of your load.
- **☀ : Rinse Aid Icon**
 - This icon flashes when the rinse aid level is low. The LED automatically shuts off when the rinse aid is refilled or the level is set to 0.
- **🧼 : Machine Clean Icon**

- This icon flashes after every 30 cycles.
- To activate or deactivate the icon, press the **Delicate** button for 3 seconds.

-  : **Wi-Fi**

- When the appliance is connected to the internet through a home Wi-Fi network, this icon illuminates.

-  : **Salt Refill Icon**

- This icon flashes when the salt level is low. The LED automatically shuts off when the salt is refilled.

3 Chime On/Off

- To activate or deactivate the button sounds, press and hold **Dual Zone** and **Energy Saver** simultaneously for 3 seconds. The error alert sound cannot be turned off.

4 Cancel

- The drain pump activates and the cycle cancels. Once the appliance finishes draining, the power turns off.
- Press and hold **Start** button for 3 seconds to activate the cancel function.

5 Start

- To operate the appliance, close the door and press **Start** button.
- If **Start** button is not pressed to start the cycle within 4 minutes, the power will automatically turn off.

Wash Cycles

Auto

This cycle senses the soil amount and water clarity and optimizes the wash to achieve the best cleaning. The wash time may vary depending on the soil level.

Intensive

This cycle is for heavily soiled dishes and dishes with hardened on soil. This cycle defaults to the strongest spray intensity and uses it to wash heavily soiled dishes.

Delicate

Use this cycle to clean delicate items such as fine china and stemware.

Refresh

This cycle freshens up and warms dishes that have been unused for a long time.

- Do not use detergent when using this cycle.

Eco

It provides the most efficient energy and water consumption for a good washing result and drying result on a normally soiled load and as it uses very little energy.

Turbo

This cycle will clean moderately soiled dishes using slightly more energy and water.

- **Extra Dry** is set to on as default. If you do not want to dry dishes after washing, turn off the **Extra Dry** option. Not drying the dishes will result in a shorter cycle time.

Download Cycle

Use a dedicated cycle downloadable via Wi-Fi or NFC. (depending on model).

NOTE

- Only the cycle code for the currently downloaded cycle appears on the appliance. See the smartphone app for cycle codes, names, and more information about the available cycles.
 - Default Cycle: P1. Pots & Pans

Machine Clean

This cycle is for cleaning the inside of the appliance. Use the cycle without dishes in the appliance. It eliminates residual soils, odor, white spots, limescale, and other dirt. Add citric acid or another cleaning agent for more effective results.

- Press and hold **Intensive** for 3 seconds to activate.

Rinse

This cycle is a quick rinse only for dishes that will not be washed immediately. The cycle rinses dishes that have excess soil to soften dried on residue. Rinsing the dishes helps prevent odors in the appliance.

- Press and hold **Eco** for 3 seconds to activate.

NOTE

- Do not use detergent with the this option.
- This cycle does not have drying.

Express

This cycle will quickly clean lightly soiled dishes.

- Press and hold **Turbo** for 3 seconds to activate.

NOTE

- This cycle does not have drying. Select the **Extra Dry** option or another cycle for better drying. **Extra Dry** will add to the overall cycle time.
- Detergent tablets are not recommended for use of **Express** cycle. If the detergent tablets are used, it may cause detergent residue on dishes due to the relatively low rinse temperatures.



Options and Extra Functions

Select the desired cycle button and then select the options for that cycle. For more information, see the **Cycle/Option Guide** section.

Dual Zone

This option automatically sets the spray intensity to soft for the upper spray arm and strong for the lower spray arm. Place heavily soiled dishes like plates and bowls in the lower rack and lightly soiled dishes like cups and small plates in the upper rack to get the best results.

Half Load

This option washes intensively by selecting the upper or lower racks. For small loads, use just the upper or lower rack to save energy and time. By pressing the **Half Load** button, the settings  (Upper),  (Lower) and the cancellation of the this option are available.

Energy Saver

This option saves energy by reducing the wash and rinse temperatures. Wash time is increased to maintain wash results. Do not use this cycle with heavily soiled dishes.

Steam

This option adds steam during the cycle to improve wash results.

High Temp

Raises the main wash or heating rinse temperature to improve cleaning.

- A chime will sound to alert you of any residual temperatures inside the appliance. Wait for the appliance to completely cool down before opening the door.

Extra Dry

Select this option for better drying results. This option adds extra drying time to the cycle and raises the heating rinse temperature.

- When the rinse aid is empty, this option is selected automatically.

Delay Start

This feature delays the start of a selected cycle. Each time the **Delay Start** button is pressed, the delay time increases by an hour. The delay time can be set from 1 to 12 hours, in one-hour increments.

- To cancel this feature, turn the power off.
- To change the cycle and cycle option, open the door and then select another cycle and cycle option. The countdown will continue.

Control Lock

This feature helps prevent settings from being changed during a cycle. Selecting this feature locks all of the buttons, except for the **Power** button, on the control panel. This feature does not lock the door.

- On models with the external display, while a cycle is running, press and hold **Half Load** and **Energy Saver** simultaneously for 3 seconds to activate or deactivate this feature. On models with a concealed display, open the door during operation and follow the same instruction.

- When this feature is activated, the display code **CL** will show on the display.
- To start a new cycle, deactivate this feature.
- This feature can be set at any time by turning on the appliance.

Wi-Fi

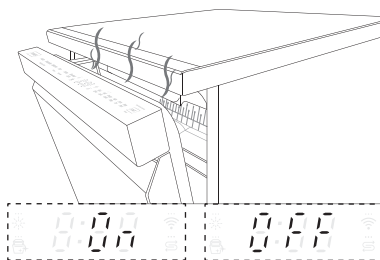
Press and hold **Delay Start** for 3 seconds to connect to the network. Refer to **SMART FUNCTIONS** sections for detailed information about this feature.

Auto Open Dry

This feature may vary depending on the model purchased.

The door will open automatically at the end of a programme that includes drying in order to enhance drying results.

- To activate or deactivate this feature, press and hold the **Energy Saver** button and the **High Temp** button simultaneously for 3 seconds.
- This feature is not available when the **Machine Clean** and **Rinse** cycle is selected.
- When you select the **Download Cycle**, this feature may operate even if the feature is deactivated. Because the **Download Cycle** is designed to achieve the best results in a specific purpose regardless of appliance settings.
- The display shows whether this feature is on or off.



⚠ WARNING

- Keep children away from the appliance while the appliance is operating. Exposure to high

temperature steam may cause scalding or burns.

SignalLight™

This feature may vary depending on the model purchased.

SignalLight™ shows the status of the appliance, whether it has encountered any problems, whether it is operating normally, or whether it is ready to wash dishes.

- Depending on the model, the lamp may be located either on the front of the appliance or the top of the door.

Red (left)

The red lamp flashes when the appliance encounters an error. For more information about the error, see the **Error Code** part of the **TROUBLESHOOTING** section.

White (middle)

The white lamp flashes when you select an option cycle or when a cycle has been paused.

- The white lamp lights up when a cycle is running.

Green (right)

The green lamp lights up when a cycle is finished. When the door is opened, the lamp turns off.

- If the appliance does not detect that the door has been opened, the lamp will turn off after 90 seconds.

Programme Table

Programme Guide

On DF425*** Models

Program me	Soil Level	Wash		Rinse		Dry
		Pre-wash	Main wash	Rinse	Heating rinse	
Auto	All levels	●	● (65 - 70 °C)	●	● (62 °C) ^{*1} (70 °C) ^{*2}	●
Intensive	Heavy	●	● (75 °C)	●	● (62 °C) ^{*1} (70 °C) ^{*2}	●
Delicate	Light	●	● (55 °C)	●	● (62 °C) ^{*1} (70 °C) ^{*2}	●
Refresh ^{*1}		●		●	● (62 °C) ^{*1} (75 °C) ^{*2}	●
Eco	Moderate	●	● (46 °C) ^{*1} (42 °C) ^{*2}	●	● (54 °C) ^{*1} (64 °C) ^{*2}	●
Turbo	Moderate	●	● (65 °C)	●	● (62 °C) ^{*1} (65 °C) ^{*2}	
Express	Light	●	● (45 °C)	●	● (62 °C) ^{*1} (60 °C) ^{*2}	
Rinse	Light			●		
Machine Clean		●	● (50 °C)	●	● (70 °C)	●

*1 **Auto Open Dry** feature is on.

*2 **Auto Open Dry** feature is off.

NOTE

- Running time may vary according to the water temperature, ambient temperature, water pressure and voltage.
 - Information that the values given for programmes other than the eco programme are indicative only.
 - When the **Auto Open Dry** feature is activated, the heating rinse temperature may vary.
-

On DF325*** / DF325** Models

Program me	Soil Level	Wash		Rinse		Dry
		Pre-wash	Main wash	Rinse	Heating rinse	
Auto	All levels	●	● (65 - 70 °C)	●	● (70 °C)	●
Intensive	Heavy	●	● (75 °C)	●	● (70 °C)	●
Delicate	Light	●	● (55 °C)	●	● (70 °C)	●
Refresh ^{*1}		●		●	● (75 °C)	●
Eco	Moderate	●	● (42 °C)	●	● (64 °C)	●
Turbo	Moderate	●	● (65 °C)	●	● (65 °C)	
Express	Light	●	● (45 °C)	●	● (60 °C)	
Rinse	Light			●		
Machine Clean		●	● (50 °C)	●	● (70 °C)	●

*1 For Steam Models

NOTE

- Running time may vary according to the water temperature, ambient temperature, water pressure and voltage.
 - Information that the values given for programmes other than the eco programme are indicative only.
-

Regulation for Europe(On DF425*** Models)

Programme	Water Consumption *1	Energy Consumption (kWh) *1	Duration (min) *1
Auto	12.9	0.91 - 0.97	162
Intensive	23.1	1.60	185
Delicate	16.5	1.07	124
Eco	9.5	0.85	193
Refresh	10.0	0.76	120
Turbo	18.5	0.84	78
Express	9.6	0.58	56
Rinse	6.6	0.01	18
Machine Clean	12	0.78	83

*1 Auto Open Dry feature is on.

NOTE

- The data given will vary depending on individual conditions.

Regulation for Europe(On DF325*** / DF325** Models)

Programme	Water Consumption	Energy Consumption (kWh)	Duration (min)
Auto	13.1	1.08 - 1.17	195
Intensive	23.9	1.76	185
Delicate	16.8	1.14	124
Eco	9.5	0.95	228
Refresh ^{*1}	9.8	0.78	66
Turbo	18.8	0.87	59
Express	12.4	0.61	38
Rinse	6.5	0.01	18
Machine Clean	12.1	0.75	83

*1 For Steam Models

NOTE

- The data given will vary depending on individual conditions.

NOTE

- Regulation EU 2019/2022, valid from 1st March 2021, is related to the Energy Efficiency classes by Regulation EU 2019/2017.
- Scan the QR code on the energy label supplied with the appliance, which provides a web link to the information related to the performance of the appliance in the EU EPREL database. Keep the energy label for reference together with the owner's manual and all other documents supplied with the appliance.
- The model name can be found on the rating label of the appliance. Open the door and look at the right side of the door.
- To find the same information in EPREL, visit <https://eprel.ec.europa.eu> and search using the model name. (Valid from 1st March 2021)

Available Options

NOTE

- The **Energy Saver** option is not available with the **High Temp** or **Extra Dry** option.
- The **Delay Start** option can be selected for every washing programme in this table.

For Non-Steam Models

Programme	Dual Zone	Half Load	Energy Saver	High Temp	Extra Dry
Auto	●	●	●	●	●
Intensive	●	●		●	●
Delicate		●	●		●
Eco	●	●	●	●	●
Turbo	●			●	●
Express	●			●	●
Rinse					
Machine Clean					
Download Cycle					

For Steam Models

Programme	Dual Zone	Half Load	Energy Saver	Steam	High Temp	Extra Dry
Auto	●	●	●	●	●	●
Intensive	●	●		●	●	●
Delicate		●	●	●		●
Refresh				●		●
Eco	●	●	●	●	●	●
Turbo	●			●	●	●
Express	●				●	●
Rinse						
Machine Clean						
Download Cycle						

Information for Test

For Models with Auto Open Dry Function

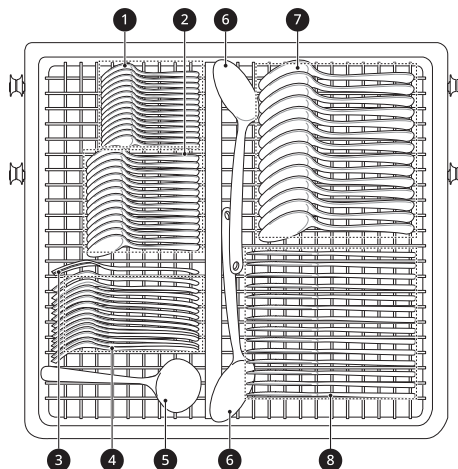
- Capacity: 14 place settings
- Comparability programme: **Eco**
- Rinse Aid setting: L4
- Reference cleaner: 22 g of detergent into the dispenser inside.
- Height-adjustable Rack-U position: Middle
- **Auto Open Dry** setting: On
- Filter type: Manual

For Models without Auto Open Dry Function

- Capacity: 14 place settings
- Comparability programme: **Eco**
- Rinse aid setting: L4
- Reference cleaner: 22 g of detergent into the dispenser inside.
- Height-adjustable Rack-U position: Middle
- Filter type: Manual

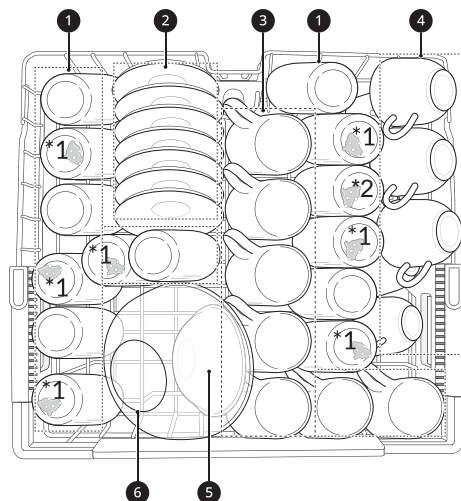
Loading the Dishes

Cutlery Basket



- ❶ Tea Spoons(No soiling)
- ❷ Dessert Spoons(No soiling)
- ❸ Serving Fork(No soiling)
- ❹ Forks(Egg)
- ❺ Gravy Ladle(No soiling)
- ❻ Serving Spoons(No soiling)
- ❼ Soup Spoons(Oat flake)
 - Every 2nd soup spoon is soiled.
- ❽ Knives(No soiling)

Upper Rack



1 Glasses(Milk)

*1 There are 7 glasses stained with milk.

*2 Milk Glass for EN60704-2-3: 2020

2 Saucers(Black tea)

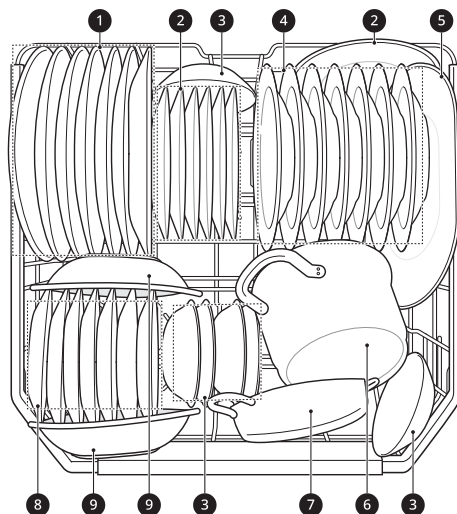
3 Mugs(Black tea)

4 Cups(Black tea)

5 Dessert bowl(Oat flake)

6 Glass bowl(Meat)

Lower Rack



1 Dinner plates(Egg)

2 Melamine Dessert Plates(Egg)

3 Dessert Bowls(Oat flake)

4 Soup plates(Oat flake)

5 Oval Platter(Meat)

6 Small Pot(Spinach + Margarine)

7 Oven Pot(Meat)

8 Dessert Plates(Spinach)

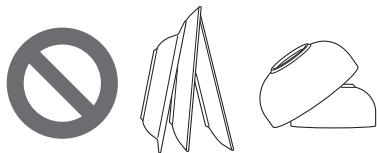
9 Melamine Bowls(Margarine)

Loading the Dishwasher

For effective washing results, always follow the instructions.

- Remove large particles of food debris from plates including bones etc. before loading. Always rinse off plates when loading if they are not to be washed immediately.
- Items with burnt on food should be soaked prior to loading the dishwasher.
- Deep based items should be placed upside down.
- Plastic items will not dry well, compared to other items.

- Make sure that all items do not touch each other.



Items not Suitable for Dishwashers

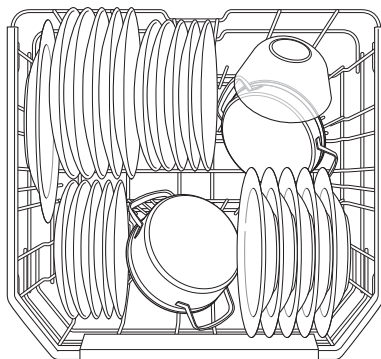
The combination of high water temperature and dishwasher detergents may damage certain items. Do not wash the following items.

- Copper or anodised aluminium
- Hand painted silver or gold leaf crockery
- Wood or bone handled utensils
- Iron or non rust proof utensils
- Plastic items which are not appliance safe
- Expensive ware such as silver and dishes with golden rings
- Fragile item such as crystal glasses

⚠ CAUTION

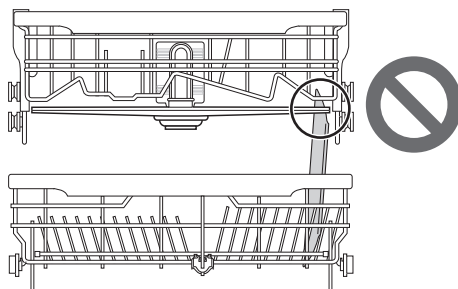
- Do not place pots or pans with plastic handles in the appliance as the handles may deteriorate due to the heat and detergent.
- Water proof or long lasting lipstick smudges on glasses may not be removed during the wash.

To make it easier to load larger dishes, the front row of tines can be folded down.



⚠ CAUTION

- The spray arms must not be blocked by items that are too tall or hang through the baskets. Test for free movement by manually rotating the spray arms.



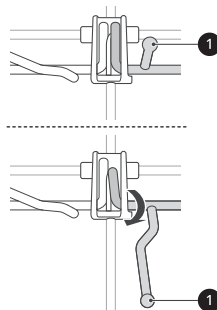
Loading the Lower Rack

Daily Use Load

The lower rack is suitable for dinner plates, soup bowls, dishes, pots, pans, lids and even a grill tray. Plates should be positioned upright and facing the centre of the rack and pots, pans and large dishes must be turned upside down.

Folding Down the Rack Tines

Fold tines down to fit larger dishes; pull tines back up to fit smaller dishes.



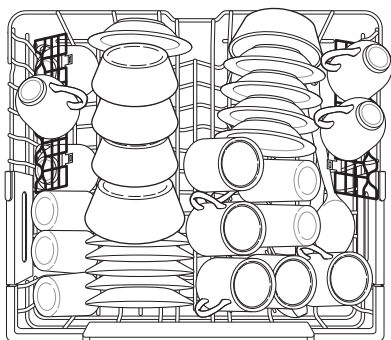
Loading the Upper Rack

Daily Use Load

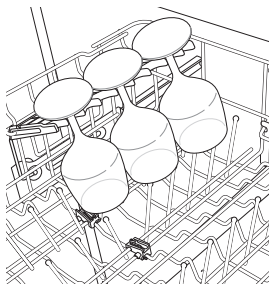
The upper rack is suitable for delicate items such as, small plates, long cutlery, cups, glasses and appliance safe plastic items.

Cups, glasses and bowls must be positioned upside down.

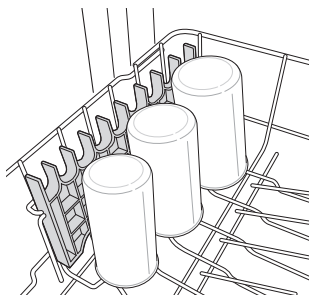
Plates should be positioned upwards with the plate.



The cup racks provide support for long stem glasses.

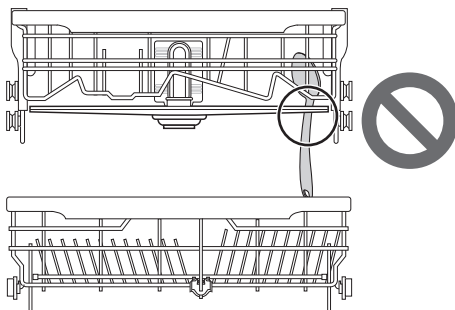


The left side row of tines can be folded down or the cup racks can be folded up out of the way for tall crockery items.



⚠ CAUTION

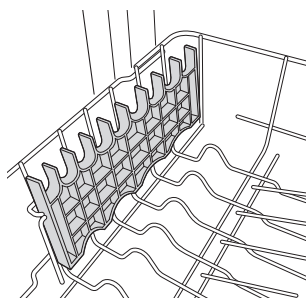
- The spray arms must not be blocked by items that are too tall or hang through the baskets. Test for free movement by manually rotating the spray arms.



Removing and Replacing Cup Racks

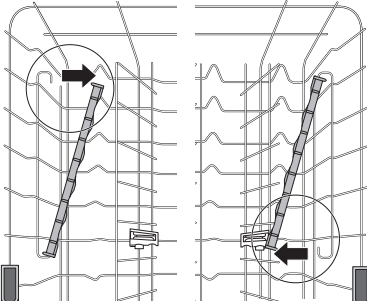
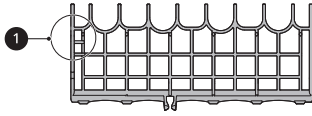
The left and right cup racks are interchangeable and can be removed.

- Slide cup rack down into its closed position.

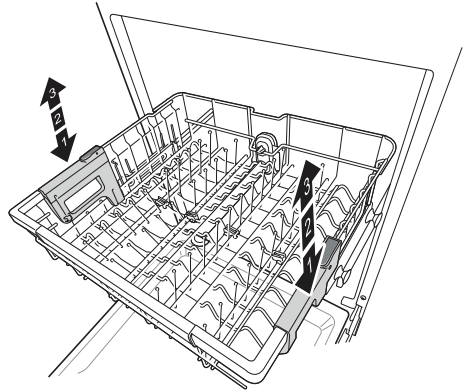


- Locate assembly slot ❶ on cup rack and firmly pop rack off support bar on that side.

- The rack on the left pops free at the back. The rack on the right pops free at the front.

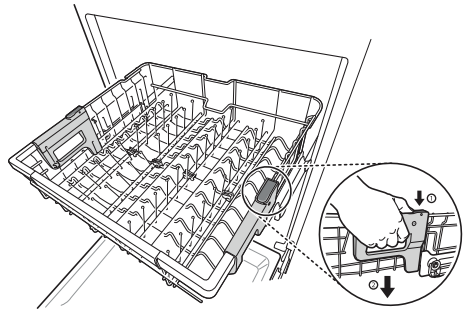


There are three available positions for adjusting the height of the upper rack to create more space.

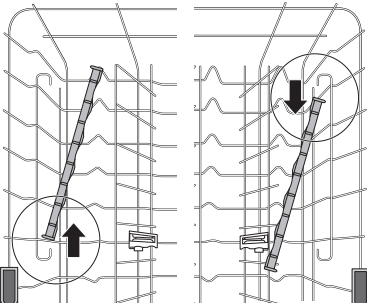


Lowering the Rack

Hold the rack at the centre of each side to support its weight. Then, push the button on each side to release the rack and lower it to the lower position.



- 3** Slide cup rack off support bar on opposite side.



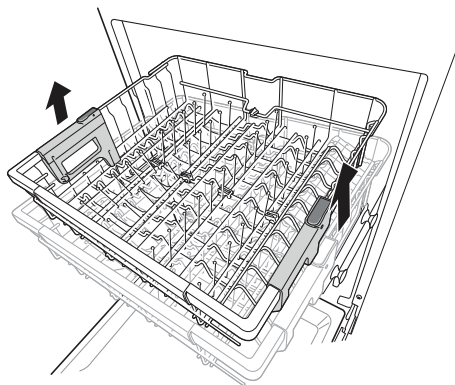
- 4** Reverse instructions to replace cup rack.

Height Adjustable Upper Rack

The height of the upper rack can be adjusted when you load glasses with long stems or tall crockery items.

Raising the Rack

Lift the rack at the centre of each side until the rack locks into place in the upper position. It is not necessary to lift the lock levers to raise the rack.



Possible plate size according to the upper rack position

Upper Rack Position	Plate Size (mm)		
	Upper Rack		Lower Rack
	with Cutlery Rack	without Cutlery Rack	
Upper	165	215	300
Middle	193	243	272
Lower	221	271	244

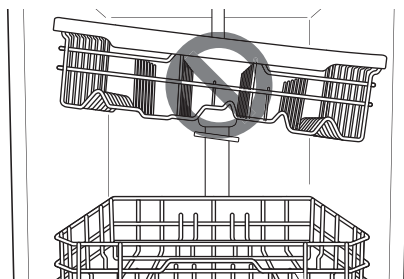
⚠ WARNING

- Before adjusting, ensure the rack is empty of all dishes. Otherwise dishes may get damaged or you may get injured.

NOTE

- Raise the upper rack without pushing the buttons on each side. Pushing the buttons when raising the rack will prevent the rack from locking into position.
- To set the rack to the middle position, it may be easier to lower the rack all the way down and

then raise each side of the rack individually until it clicks into place.



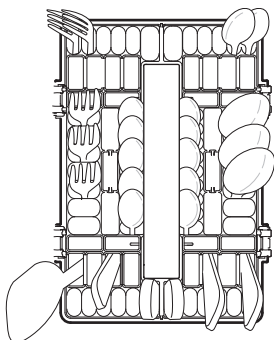
- There is a 56 mm gain in height when the upper rack is moved to the lower position.
- After adjusting the rack levels, check that the spray arms are free to rotate.
- With the lower position of the upper rack, check if the bottom part of upper rack including spray arm is not disturbing items on the lower rack.
- When the upper rack is in the lower position, push in the upper rack first, and the lower rack later.
- Pull out the lower rack first, and the upper rack later.
- When the upper rack is in the lower position, the possible height of dishes differs with models where the cutlery rack is fitted.

Loading the Cutlery Basket

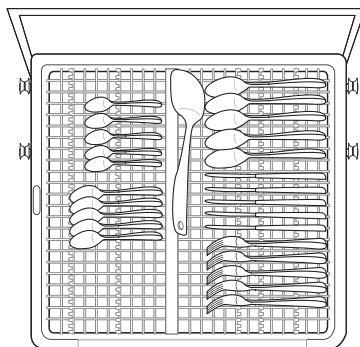
Daily Use Load

For Large utensils, such as whisks, the cover can be opened by being unhinged.

Place forks and spoons in the cutlery basket with their handles downwards.

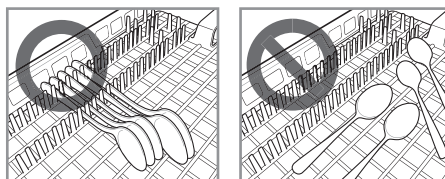


rack help keep utensils separated to avoid damage and improve cleaning.



⚠ WARNING

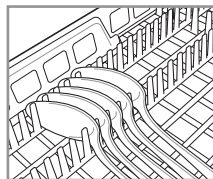
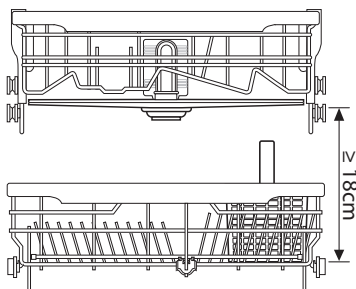
- To prevent injuries, place knives and other utensils with sharp points on the cutlery basket.
- If you want to load them in the cutlery basket, place them with the pointed edges facing downwards.



If the handles of your cutlery are too thick, then reverse the pieces so that the handles face the other direction.

⚠ CAUTION

- Do not obstruct the rotation of the spray arms.
- The cutlery shouldn't be longer than 18 cm.



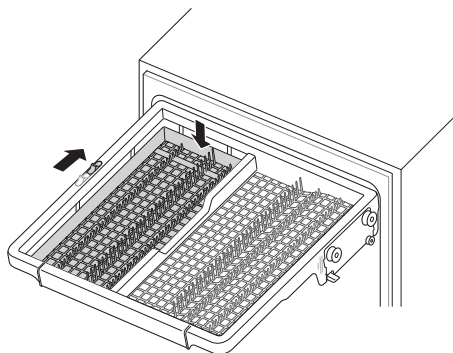
Height Adjustable Tray

The tray on the left side can be adjusted to a high or low position to accommodate utensils or cutlery

Loading the Cutlery Rack

The cutlery rack is best suited for flatware and most cooking or serving utensils. It can also fit small prep bowls and lids. The separators on the cutlery

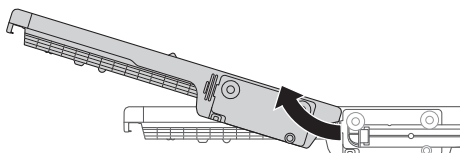
of different sizes. Remove dishes before adjusting the tray. Adjust the tray by sliding the lever.



Removing the Cutlery Rack

The entire cutlery rack can be removed if more space is needed on the upper rack for larger items. Always remove the cutlery from the rack before removing the rack.

Pull the rack out to the end of the rails. Then, lift the front of the rack so that the rollers clear the stop on the end of the rail. The rack can now be slid forward and removed from the rails.



⚠ WARNING

- Be careful when loading and unloading items with sharp edges. Load sharp knives with the blade down to reduce the risk of injury.

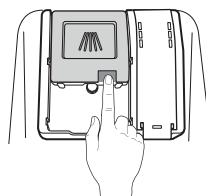
Adding Cleaning Agents

Adding Detergent to the Dispenser

- Remove the label on the dispenser prior to running the appliance for the first time.

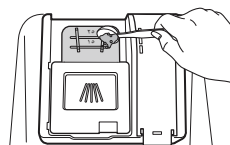
- The amount of detergent needed depends on the cycle, load size, and soil level of dishes.
- Put detergent into the detergent compartment before starting any cycle, except the **Rinse** cycle.

- 1 Push the button on the dispenser lid to open the cover.

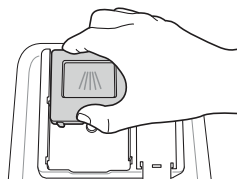


- 2 Add dishwashing detergent to the main wash compartment until the level is between the lines marked 15 and 25.

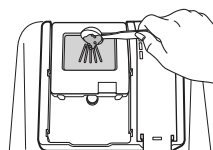
- Fill to over the 25 line for hard water or heavily soiled loads.
- Fill to the 15 line for soft water or lightly soiled loads.



- 3 Push the detergent lid to slide the lid closed until it clicks.



- 4 If a prewash is desired, fill the recessed prewash compartment area on the lid with detergent.



Programme	Amount of detergent
	Main wash (dispenser)
Auto	20 g
Intensive	20 g
Delicate	20 g
Refresh	-
Eco	22 g
Turbo	20 g
Download Cycle	20 g
Machine Clean	20 g
Rinse	-
Express	20 g

- Only use the detergent and rinse aid that has been qualified with standard. Use of an unqualified detergent and rinse aid may present a risk of damage, corrosion, poor washing results, poor drying, and leakage.
- If too much detergent is used, too many suds can occur. It may cause leakage of suds and stain the dishes in the dishwasher.

NOTE

- Too much detergent can leave a film on dishes and in the tub, resulting in poor wash results.
- After washing, check whether the detergent was completely washed out.
- Some appliance detergent tablets may become stuck in the dispenser due to their excessive size. Tablets can be placed onto the base of the wash tub next to the filter before starting the cycle.
- Never use liquid dishwashing detergent in the appliance.
- Detergent tablets are not recommended for use of **Express** cycle. If the detergent tablets are used, it may cause detergent residue on dishes due to the relatively low rinse temperatures.

⚠ WARNING

- Dishwasher detergent and rinse aid contain chemical components, like all other household detergent. So, they must be kept out of the reach of children.

⚠ CAUTION

- Use only detergent intended for dishwashers. Incorrect detergent may cause the appliance to fill with suds during operation. Excess suds may reduce wash results and may cause the appliance to leak.
- To avoid damaging the appliance, do not pull up on the dispenser to close the appliance door.




- Use of an unsuitable detergent and rinse aid may result in a risk of damage, corrosion, poor washing results, poor drying or leakage.

Refilling

To maintain the effective dry results, check and refill rinse aid regularly.


To maintain the effective wash results, check and refill dishwasher salt regularly.

Checking the Rinse Aid

When the rinse aid refill  icon illuminates lit, it means the rinse aid is almost empty. If necessary, refill the rinse aid chamber.

Checking the Dishwasher Salt

After refilling the dishwasher salt, a wash programme should be operated without dishes, as any spilled salt inside the appliance may cause rust or damage to the appliance if the left unwashed.

When the salt refill  icon illuminates, it means the salt is almost empty. If necessary, refill the salt chamber.

CAUTION

- Do not add detergent or any other solution into the water softener housing other than dishwasher salt. Doing so will cause the water softening system to malfunction.
-

Useful Tips

Drying

- Plastic items may cause poor drying results compared to other items.
- To assist drying, the door can be opened for a short period of time after the cycle.

NOTE

- Make sure that all items do not touch each other.
 - If dry results are not good or water stains remain, add the **Extra Dry** option or set the rinse level.
 - When using tablet type (2 in 1, 3 in 1) detergent, an additional rinse may be required, depending on the volume of dishes, in this case use the **Extra Dry** option or set the rinse level.
-

Unloading the Dishwasher

- Before unload the dishes, check if the dishes cooled down to hand-warm condition.
- Empty the lower rack first and then the upper one. It will avoid water dripping from the upper rack onto the dishes below.

WARNING

- Do not pull out all full loaded racks at on time, the appliance can topple over. Unload each rack one by one.
-

SMART FUNCTIONS

LG ThinQ Application

The **LG ThinQ** application allows you to communicate with the appliance using a smartphone.

LG ThinQ Application Features

Communicate with the appliance from a smartphone using the convenient smart features.

Monitoring

This function checks the current status, cycle, options running time and cycle end time for the application on a single screen.

Download Cycle

You can download new and special cycles that are not included in the basic cycles on the appliance.

Appliances that have been successfully registered can download a variety of specialty cycles specific to the appliance.

Only one cycle can be stored on the appliance at the same time.

Once cycle download is completed in the appliance, the appliance keep the downloaded cycle until a new cycle is downloaded.

Machine Clean Reminder

This function shows how many cycles remain before it is time to run the **Machine Clean** cycle.

Smart Diagnosis

This function provides useful information for diagnosing and solving issues with the appliance based on the pattern of use.

Settings

Allows you to set various options on the appliance and in the application.

Push Alert

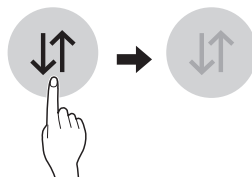
When the cycle is complete or the appliance has problems, you have the option of receiving push notifications on a smartphone. The notifications are triggered even if the **LG ThinQ** application is off.

NOTE

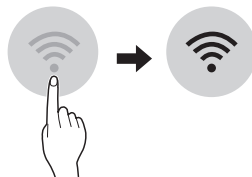
- If you change your wireless router, Internet service provider, or password, delete the registered appliance from the **LG ThinQ** application and register it again.
- The application is subject to change for appliance improvement purposes without notice to users.
- Functions may vary by model.

Before Using LG ThinQ Application


- 1 Check the distance between the appliance and the wireless router (Wi-Fi network).
 - If the distance between the appliance and the wireless router is too far, the signal strength becomes weak. It may take a long time to register or installation may fail.
- 2 Turn off the **Mobile data** or **Cellular Data** on your smartphone.



- 3 Connect your smartphone to the wireless router.



NOTE

- To verify the Wi-Fi connection, check that  icon on the control panel is lit.
- The appliance supports 2.4 GHz Wi-Fi networks only. To check your network frequency, contact your Internet service provider or refer to your wireless router manual.
- **LG ThinQ** is not responsible for any network connection problems or any faults, malfunctions, or errors caused by network connection.
- If the appliance is having trouble connecting to the Wi-Fi network, it may be too far from the router. Purchase a Wi-Fi repeater (range extender) to improve the Wi-Fi signal strength.
- The Wi-Fi connection may not connect or may be interrupted because of the home network environment.
- The network connection may not work properly depending on the Internet service provider.
- The surrounding wireless environment can make the wireless network service run slowly.
- The appliance cannot be registered due to problems with the wireless signal transmission. Unplug the appliance and wait about a minute before trying again.
- If the firewall on your wireless router is enabled, disable the firewall or add an exception to it.
- The wireless network name (SSID) should be a combination of English letters and numbers. (Do not use special characters.)
- Smartphone user interface (UI) may vary depending on the mobile operating system (OS) and the manufacturer.
- If the security protocol of the router is set to **WEP**, you may fail to set up the network. Please change it to other security protocols (**WPA2** is recommended) and register the product again.

Installing the LG ThinQ Application

Search for the **LG ThinQ** application from the Google Play Store or Apple App Store on a

smartphone. Follow instructions to download and install the application.

Deactivating Network Connection

On your smartphone, disconnect to your home Wi-Fi network.

- 1 Run the **LG ThinQ** application.
- 2 Select and touch the **Dishwasher** in the application.
- 3 Select and touch the **Delete Product** on the settings menu to disconnect it.

Wireless LAN Module Specifications

Model	LCW-003
Frequency Range	2412 to 2472 MHz
Output Power (Max)	IEEE 802.11b: 18.37 dBm IEEE 802.11g: 17.67 dBm IEEE 802.11n: 17.67 dBm

Wireless function S/W version : V 1.0

For consideration of the user, this device should be installed and operated with a minimum distance of 20 cm between the device and the body.

Declaration of Conformity



Hereby, LG Electronics declares that the radio equipment type Dishwasher is in compliance with Directive 2014/53/EU. The full text of the EU declaration of conformity is available at the following internet address:

<http://www.lg.com/global/support/cedoc/cedoc#>
 LG Electronics European Shared Service Centre B.V.
 Krijgsman 1, 1186 DM Amstelveen, The
 Netherlands



Open Source Software Notice Information

To obtain the source code under GPL, LGPL, MPL, and other open source licenses, that is contained in this product, please visit <http://opensource.lge.com>.

In addition to the source code, all referred license terms, warranty disclaimers and copyright notices are available for download.

LG Electronics will also provide open source code to you on CD-ROM for a charge covering the cost of performing such distribution (such as the cost of media, shipping, and handling) upon email request to opensource@lge.com. This offer is valid for a period of three years after our last shipment of this product. This offer is valid to anyone in receipt of this information.

Smart Diagnosis

This feature is only available on models with the  or  logo.

Use this feature to help you diagnose and solve problems with your appliance.

NOTE

- For reasons not attributable to LGE's negligence, the service may not operate due to external factors such as, but not limited to, Wi-Fi unavailability, Wi-Fi disconnection, local app store policy, or app unavailability.
- The feature may be subject to change without prior notice and may have a different form depending on where you are located.

Using LG ThinQ to Diagnose Issues

If you experience a problem with your Wi-Fi equipped appliance, it can transmit

troubleshooting data to a smartphone using the **LG ThinQ** application.


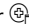
- Launch the **LG ThinQ** application and select the **Smart Diagnosis** feature in the menu. Follow the instructions provided in the **LG ThinQ** application.

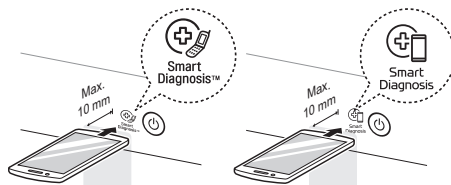
Using Audible Diagnosis to Diagnose Issues

Follow the instructions below to use the audible diagnosis method.

- Launch the **LG ThinQ** application and select the **Smart Diagnosis** feature in the menu. Follow the instructions for audible diagnosis provided in the **LG ThinQ** application.

- 1 Press the **POWER** button to turn on the appliance.
 - Do not press any other buttons.

- 2 Place the mouthpiece of your smartphone close to the  or  logo.



- 3 Press and hold the **Download Cycle** button for 3 seconds or longer while holding the smartphone mouthpiece to the logo until the data transfer is complete.

- Keep the smartphone in place until the data transfer has finished. Time remaining for data transfer is displayed.

- 4 After the data transfer is complete, the diagnosis will be displayed in the application.

NOTE

- For best results, do not move the smartphone while the tones are being transmitted.

Customer Care and Service

Contact an LG Electronics customer information centre.

- To find an LG Electronics authorised service personnel, visit our website at www.lg.com and follow the instructions found there.
- Self-repair is not recommended as it could further damage the device and void the guarantee.
- Spare parts referenced in Regulation 2019/2022 are available for a minimum duration of 7 years.

MAINTENANCE

To maintain performance and prevent problems, check the outside and inside of the appliance, including filters and spray arms regularly.

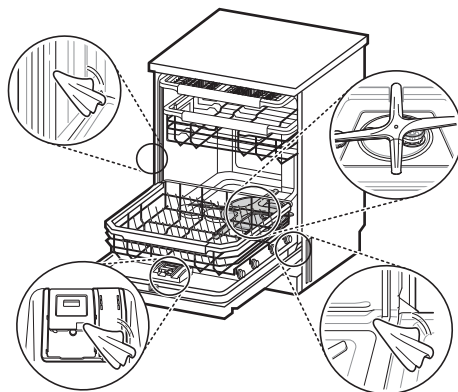
⚠ WARNING

- When cleaning the outside and inside of the appliance, do not use any solvent based solutions such as thinners or acetone. It may cause fire or explosion.

NOTE

- Prevent animals from nibbling on the power cable or water hose.

Food residue may be stuck in the narrow gaps inside the appliance after completion of washing. Wipe off all food residue.



Cleaning and Caring

Cleaning the Exterior

In most cases, the exterior of the appliance can be cleaned with a soft damp cloth or sponge, then dried with a soft cloth. If the appliance has a stainless steel exterior, use a stainless steel cleaner.

⚠ CAUTION

- If cooking oil is spilled on the exterior of the product, wipe it off immediately. Do not clean the exterior of the product with cleaners which contain alcohol, thinners, bleach, benzene, flammable liquids, or abrasives. These substances may discolour or damage the appliance.

NOTE

- If you have not used the appliance for a long time, refresh the inside by running **Turbo** or **Machine Clean** programme with detergent. When the cycle is finished, clean the inside and outside of the appliance according to the **MAINTENANCE** instructions.

Cleaning the Interior

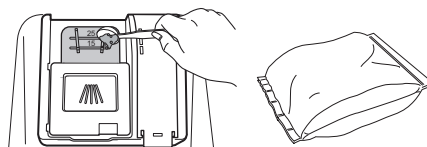
It is recommended to clean the interior, spray arms, or filters once every two weeks.

Clean the interior of the appliance periodically with a soft, damp cloth or sponge to remove food and dirt particles.

Cleaning the Tub

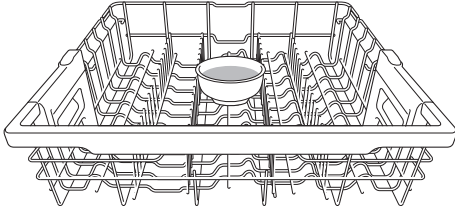
Using Citric Acid

Remove all dishes, cutlery basket and cutlery basket holder from appliance. Only racks should remain in tub. For best results, use citric acid powder (can be found in canning sections of most supermarkets or online). Measure 3 tablespoons (45 g) of citric acid powder. Fill main wash compartment with measured powder.



Using White Vinegar

If you cannot find citric acid powder, pour approximately 3/4 - 1 1/4 cups (200 - 300 mL) of white vinegar into shallow bowl and place in upper rack. Run **Auto** cycle. Do not use detergent. When the cycle is finished, restart.

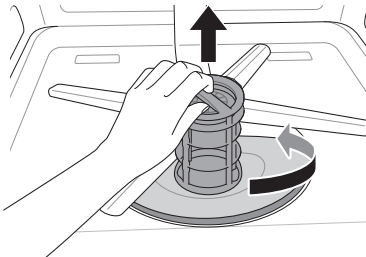


⚠ CAUTION

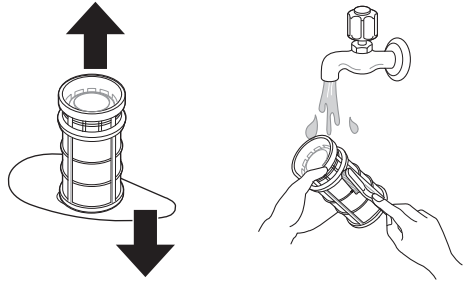
- Do not pour vinegar directly into the base.
- Excessive use of vinegar may cause damage to the appliance.

Cleaning the Filters

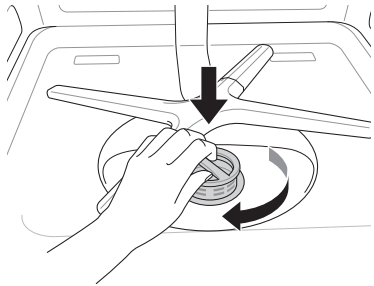
- 1 Remove the lower rack and position the bottom spray arm so a wider vee is open to the front.
- 2 Turn the inner filter counter-clockwise and take out the assembled inner filter and stainless steel filter.



- 3 Clean the filters with a soft brush under running water. Reassemble the filters before reinstalling them.



- 4 To replace the assembled filters, position the spray arm so the wider vee is toward the front. Fit the filters back into the filter holder and secure them by turning the inner filter clockwise until it clicks into place.



⚠ WARNING

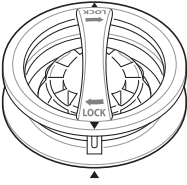
- Be cautious of sharp edges when handling the stainless steel filter.

⚠ CAUTION

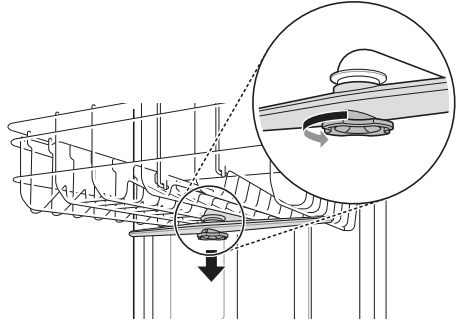
- After using the appliance, particles of food are filtered by the filters. Any unremoved food residue may cause bad smell. In addition, drainage may have a problem due to food residue stuck in the filters.

NOTE

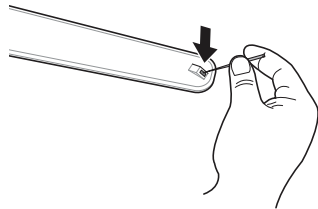
- When assembling, rotate it firmly until it clicks.



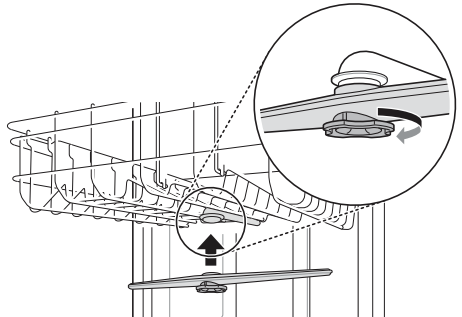
- 2 When cleaning is necessary, remove the upper spray arm by turning the nut on the bottom of the spray arm 1/8 turn counterclockwise and pulling down.



- 3 Remove food particles by rinsing or shaking the spray arm.
- 4 If any food residue blocks the spray arm holes, remove it with a pin or any sharp tool.



- 5 After removing the food residue, clean the spray arms holes under running water.
- 6 After cleaning the upper spray arm, press it up into place. Turn the nut 1/8 turn clockwise to make sure that the nut locks back into place.

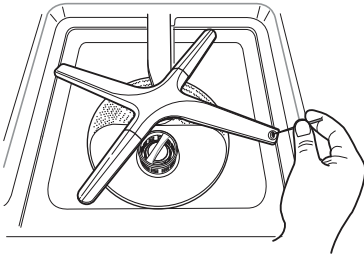


Cleaning the Spray Arms

If the spray arm holes are blocked by any food residue, dishes may not be cleaned well due to improper water spray.

Cleaning the Lower Spray Arm

- 1 Make sure that the water jet holes are not blocked by food particles.
- 2 If any food residue blocks the spray arm holes, remove it with a pin or any sharp tool.



CAUTION

- To avoid breaking the variable angle spray arm end sections, do not pull or manually rotate them.

Cleaning the Upper Spray Arm

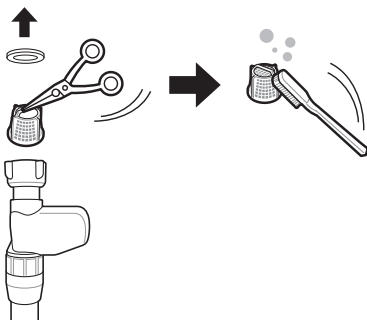
- 1 Pull the upper rack forward. Make sure that the water jet holes are not blocked by food particles.

- 7** After assembly, check whether the spray arms rotate freely.

- When reassembling the seal and the filter, ensure that they are free from dirt or grit that may have come from the water supply.
-

Cleaning the Water Supply Hose Filter

- 1** Unplug the appliance.
- 2** Turn off the water tap.
- 3** Unscrew the water supply hose.
- 4** Remove the seal and the plastic filter with a pair of small pliers or scissor grips.



- 5** Refit the filter and gasket and make sure that it is sitting correctly.
- 6** Refit and secure the water supply hose in reverse order. Do not use any mechanical device to tighten the hose. A soft cloth can be used to assist hand tightening.

Seasonal Maintenance and Storage

- If you will be absent for an extended period of time during warmer months, close the water valve and unplug the power cord, or turn off the circuit breaker. Clean the filter, tub and dispenser to prevent odour.
- If you will be absent for an extended period of time during colder months and there is a possibility of freezing temperatures, winterize the water supply lines and the appliance itself. Winterization must be performed by qualified service personnel.

NOTE

- A filter is fitted into the inlet of the water supply hose connection.
- If insufficient water flows into the appliance, check that the filter is not blocked.
- If there is a leak, the water supply hose will need to be checked for proper connection.
- Never over tighten the water supply valve or use mechanical devices to tighten.

TROUBLESHOOTING

Before Calling for Service

Operation of the appliance can lead to errors and malfunctions. The following tables contain possible causes and notes for resolving an error message or malfunction. You can remedy most of the problems by yourself, consequently save time and money, since you do not need to call LG Electronics service centre. The following table should assist you by troubleshooting.

Error Codes

The appliance is equipped with an automatic error-monitoring system to detect and diagnose problems at an early stage. If this appliance does not function properly or does not function at all, check the following before you call LG Electronics service centre.

Symptoms	Possible Cause & Solution
I E	Water inlet problem. <ul style="list-style-type: none"> • Check for a clogged, kinked or frozen water supply hose. • Check water supply.
DE	Drainage Problem. <ul style="list-style-type: none"> • Check for a clogged, kinked or frozen drain hose.
	Waste spigot is clogged. <ul style="list-style-type: none"> • Remove knockout on waste spigot.
	Filters are clogged. <ul style="list-style-type: none"> • Clean Filters.
bE	Oversudsing caused by improper detergent, such as liquid dish soap. <ul style="list-style-type: none"> • Do not use hand dishwashing liquids. Only use detergents which are designed for use in automatic dishwashers. • To remove detergent residue in the tub, pour approximately 100~200 ml of milk into a shallow bowl, place it to the upper rack and then run the appliance on the Auto cycle.
	Failure to level appliance. <ul style="list-style-type: none"> • Make sure that the appliance is properly leveled.
HE	Heater circuit failure <ul style="list-style-type: none"> • Call for service if the same problem occurs again.
FE	Excessive water supplied. <ul style="list-style-type: none"> • Call for service if the same problem occurs again.
RE	Water leakage problem <ul style="list-style-type: none"> • Call for service if the same problem occurs again.
tE	Thermistor failure <ul style="list-style-type: none"> • Call for service if the same problem occurs again.

Symptoms	Possible Cause & Solution
LE	Motor trouble <ul style="list-style-type: none"> • Call for service if the same problem occurs again.
nE	Vario motor trouble <ul style="list-style-type: none"> • Call for service if the same problem occurs again.

Operation

Symptoms	Possible Cause & Solution
Noise	Some level of noise is normal during operation. <ul style="list-style-type: none"> • Detergent cover opening. • Drain pump at the beginning of drain cycle.
	The appliance is not level. <ul style="list-style-type: none"> • Adjust leveling feet.
	Nozzle arm knocking against dishes. <ul style="list-style-type: none"> • Reposition the dishes.
	Water pressure is too high. <ul style="list-style-type: none"> • Adjust water pressure.
Appliance will not operate.	Door is not completely closed. <ul style="list-style-type: none"> • Level the appliance again.
	Power supply or power cord is not connected. <ul style="list-style-type: none"> • Connect the power supply or cord properly.
	When the Control Lock feature is activated, the display code CL will show on the display. <ul style="list-style-type: none"> • Deactivate the Control Lock button. • Press and hold Half Load and Energy Saver simultaneously for 3 seconds to activate or deactivate this feature.
	Fuse is blown or circuit breaker tripped. <ul style="list-style-type: none"> • Replace the fuse or reset the circuit breaker.
Appliance continuously beeps when the door is opened, during or right after a cycle has completed.	The contents of the appliance are hot and care should be used when placing your hands inside the appliance. <ul style="list-style-type: none"> • Close the door until the appliance and dishes have cooled down. The beeping will stop if the door is closed or the interior temperature has cooled.

Symptoms	Possible Cause & Solution
Water remains in sump after completion of cycle.	Drain hose is kinked or clogged. <ul style="list-style-type: none"> Adjust hose or clear blockage.
	Water may remain if the power supply was lost before normal end of the course or was manually disconnected. <ul style="list-style-type: none"> Re-start the course.
Sprays arms do not rotate smoothly.	Holes of spray arms are blocked by food particles. <ul style="list-style-type: none"> Clean the holes of spray arms.
Upper rack is crooked.	Rack is poorly adjusted. <ul style="list-style-type: none"> See the Height Adjustable Upper Rack section.
Lamps do not illuminate.	Power is not connected. <ul style="list-style-type: none"> Connect power supply.
There is excessive foam inside the appliance.	Failure to use the detergent exclusive for appliance. <ul style="list-style-type: none"> Use the detergent exclusive for appliance.
	An excessive amount of rinse may cause foam. <ul style="list-style-type: none"> Reduce the rinse aid dispensing level.
Detergent is left in the detergent dispenser.	Unbalanced upper rack. <ul style="list-style-type: none"> Adjust the left/right height of the upper rack.
	Detergent may not be dispensed because poor stacking of the dishes prevent automatic opening of the detergent dispenser. <ul style="list-style-type: none"> Correctly arrange the dishes and always dry out the dispenser before adding new detergent so that it does not clump together.
Water leaks outside the appliance.	The door may not be closed due to tilted appliance. In this case a water leak may occur. <ul style="list-style-type: none"> Check the levelling by adjust the leg.
	Wrong installation of drainage hose may cause water leak. <ul style="list-style-type: none"> Check the connecting part of drainage hose.
	If the power is off, a water leak may be caused by a poor connection to the tap. <ul style="list-style-type: none"> Check the connection water supply hose.

Performance

Symptoms	Possible Cause & Solution
Cloudiness on glassware	Combination of excessive detergent and hard water <ul style="list-style-type: none"> Use less detergent and use a rinse aid to minimize the problem. Check the setting of softening system.

Symptoms	Possible Cause & Solution
Black or gray marks on dishes	Aluminum items rubbing dishes during cycle <ul style="list-style-type: none"> • Reposition the dishes.
Yellow or brown film on inside surfaces of appliance	Coffee or tea stains <ul style="list-style-type: none"> • Eliminate the stain by using a stain removal product.
Yellow water remains inside the dishwasher.	When initially using the appliance, Yellow water may generate in the water softener tank. <ul style="list-style-type: none"> • This is a normal condition, and it is harmless to humans. It disappears after 1 - 3 cycles.
Spots and filming on dishes	Wrong amount of detergent used <ul style="list-style-type: none"> • Use the recommended amount of detergent.
	Overloading <ul style="list-style-type: none"> • Do not overload the appliance.
	Improper loading <ul style="list-style-type: none"> • See the OPERATION section.
	Insufficient water pressure <ul style="list-style-type: none"> • Water pressure should be between 0.05 - 0.6 MPa.
	Insufficient detergent <ul style="list-style-type: none"> • Add the recommended amount of detergent. See the OPERATION section.
	Rinse aid dispenser is empty. <ul style="list-style-type: none"> • Refill rinse aid dispenser.
	The water softener has no salt or insufficient the salt. <ul style="list-style-type: none"> • Check whether there is the salt in the water softener.
	Water hardness level may be set too low. <ul style="list-style-type: none"> • Increase the hardness level setting value.
	The rinse aid may be insufficient. <ul style="list-style-type: none"> • Refill the rinse aid or increase the dispensing level.
Hard water buildup in the tub <ul style="list-style-type: none"> • Remove all dishes, cutlery basket and cutlery basket holder from appliance. Only racks should remain in tub. For best results, use citric acid powder (can be found in canning sections of most grocery stores or online). Measure 3 tablespoons (45 g) of citric acid powder. Fill main wash compartment with measured powder. If you cannot find citric acid powder, pour approximately 3/4 - 1 1/4 cups (200 - 300 mL) of white vinegar into shallow bowl and place in upper rack. Run Auto cycle. Do not use detergent. When the cycle finish, run it again. 	

Symptoms	Possible Cause & Solution
Odour	<p>The previous cycle was stopped before completion and residual water remains in the appliance.</p> <ul style="list-style-type: none"> • Turn on the power, run the Cancel cycle option to remove the residual water, then run the Turbo cycle using detergent but with the appliance empty.
	<p>There is food in the bottom of the unit or in the filter.</p> <ul style="list-style-type: none"> • Clean the filter and the interior according to the MAINTENANCE section of the owner's manual.
	<p>Unwashed dishes are left in the unit for a long time.</p> <ul style="list-style-type: none"> • Cycle with one cup of white vinegar in a appliance safe glass or bowl placed on the upper rack. (Vinegar is an acid, and with constant use it could damage your appliance.)
Food soil remains on dishes.	<p>Improper cycle selection</p> <ul style="list-style-type: none"> • Select correct cycle based on soil level and type of dishware being washed.
	<p>Water temperature is too low.</p> <ul style="list-style-type: none"> • Check water supply connection or water heater setting.
	<p>Dishwashing detergent was not used.</p> <ul style="list-style-type: none"> • Use recommended detergent.
	<p>Low inlet water pressure</p> <ul style="list-style-type: none"> • Water pressure should be between 0.05 - 0.6 MPa.
	<p>Water jet holes on spray arms blocked.</p> <ul style="list-style-type: none"> • Clean the spray arms.
	<p>Improper loading of dishes.</p> <ul style="list-style-type: none"> • Make sure dishes do not block spray arm rotation or interfere with detergent dispenser.
	<p>Filters are clogged.</p> <ul style="list-style-type: none"> • Clean filters.
	<p>Too much unremoved food debris on dishes.</p> <ul style="list-style-type: none"> • Large particles of food residues should be removed from the dishes before starting wash.

Drying

Symptoms	Possible Cause & Solution
Dishes don't dry.	Rinse agent dispenser empty. <ul style="list-style-type: none"> Check and refill the rinse agent dispenser if empty. For better drying result, slightly open the door after operation.
	Tablets used may not have a built in rinse aid. This will reduce the drying performance. <ul style="list-style-type: none"> Change to a tablet that includes a rinse agent (contact the tablet manufacturer if unsure). Alternatively, you can use a liquid rinse agent in the dispenser if the tablets don't have a rinse agent built in.
	A cycle without the Extra Dry option was selected. <ul style="list-style-type: none"> Select a cycle that defaults to the Extra Dry option.

Wi-Fi

Symptoms	Possible Cause & Solution
Your home appliance and smartphone are not connected to the Wi-Fi network.	The password for the Wi-Fi that you are trying to connect to is incorrect. <ul style="list-style-type: none"> Find the Wi-Fi network connected to your smartphone and remove it, then register your appliance on LG ThinQ.
	Mobile data for your smartphone is turned on. <ul style="list-style-type: none"> Turn off the Mobile data of your smartphone and register the appliance using the Wi-Fi network.
	The wireless network name (SSID) is set incorrectly. <ul style="list-style-type: none"> The wireless network name (SSID) should be a combination of English letters and numbers. (Do not use special characters).
	The router frequency is not 2.4 GHz. <ul style="list-style-type: none"> Only a 2.4 GHz router frequency is supported. Set the wireless router to 2.4 GHz and connect the appliance to the wireless router. To check the router frequency, check with your internet service provider or the router manufacturer.
	The distance between the appliance and the router is too far. <ul style="list-style-type: none"> If the distance between the appliance and the router is too far, the signal may be weak and the connection may not be configured correctly. Move the location of the router so that it is closer to the appliance.

APPENDIX

Product Fiche

Commission Delegated Regulation (EU) No 2019/2017

Supplier's name or trade mark: LG Electronics Inc

Supplier's address*²: LG Electronics European Shared Service Centre B.V., Krijgsman 1, 1186 DM Amstelveen, The Netherlands

*1 for the eco programme.

*2 changes to these items shall not be considered relevant for the purposes of paragraph 4 of Article 4 of Regulation (EU) 2017/1369.

Model identifier: DF425***

General product parameters:

Parameter	Value	Parameter	Value	
Rated capacity* ¹ (PS)	14	Dimension in cm	Height	85
			Width	60
			Depth	60
EEI* ¹	49.9	Energy efficiency class* ¹	D	
Cleaning performance index* ¹	1.13	Drying performance index* ¹	1.07	
Energy consumption in kWh [per cycle], based on the eco programme using cold water fill. Actual energy consumption will depend on how the appliance is used.	0.849	Water consumption in litres [per cycle], based on the eco programme. Actual water consumption will depend on how the appliance is used and on the hardness of the water.	9.5	
Programme duration* ¹ (h:min)	3:13	Type	free-standing	
Airborne acoustical noise emissions* ¹ (dB(A) re 1 pW)	41	Airborne acoustical noise emission class* ¹	B	
Off-mode (W)	0.49	Standby mode (W)	0.49	
Delay start (W) (if applicable)	3.99	Networked standby (W) (if applicable)	1.99	
Minimum duration of the guarantee offered by the supplier*²: 2 years				
Additional information: www.lg.com				

Model identifier: DF325***

General product parameters:

Parameter	Value	Parameter	Value	
Rated capacity* ¹ (PS)	14	Dimension in cm	Height	85
			Width	60
			Depth	60
EEI* ¹	55.9	Energy efficiency class* ¹	E	
Cleaning performance index* ¹	1.13	Drying performance index* ¹	1.07	
Energy consumption in kWh [per cycle], based on the eco programme using cold water fill. Actual energy consumption will depend on how the appliance is used.	0.951	Water consumption in litres [per cycle], based on the eco programme. Actual water consumption will depend on how the appliance is used and on the hardness of the water.	9.5	
Programme duration* ¹ (h:min)	3:48	Type	free-standing	
Airborne acoustical noise emissions* ¹ (dB(A) re 1 pW)	42	Airborne acoustical noise emission class* ¹	B	
Off-mode (W)	0.26	Standby mode (W)	0.26	
Delay start (W) (if applicable)	3.99	Networked standby (W) (if applicable)	1.99	
Minimum duration of the guarantee offered by the supplier*²: 2 years				
Additional information: www.lg.com				

Model identifier: DF325**

General product parameters:

Parameter	Value	Parameter	Value	
Rated capacity* ¹ (PS)	14	Dimension in cm	Height	85
			Width	60
			Depth	60
EEI* ¹	55.9	Energy efficiency class* ¹	E	
Cleaning performance index* ¹	1.13	Drying performance index* ¹	1.07	
Energy consumption in kWh [per cycle], based on the eco programme using cold water fill. Actual energy consumption will depend on how the appliance is used.	0.951	Water consumption in litres [per cycle], based on the eco programme. Actual water consumption will depend on how the appliance is used and on the hardness of the water.	9.5	
Programme duration* ¹ (h:min)	3:48	Type	free-standing	
Airborne acoustical noise emissions* ¹ (dB(A) re 1 pW)	44	Airborne acoustical noise emission class* ¹	B	
Off-mode (W)	0.26	Standby mode (W)	0.26	
Delay start (W) (if applicable)	3.99	Networked standby (W) (if applicable)	1.99	
Minimum duration of the guarantee offered by the supplier*²: 2 years				
Additional information: www.lg.com				

Commission Delegated Regulation(EU) No 1059/2010

Supplier's name or trade mark	LG			
Supplier's model identifier	DF425***	DF325***	DF325**	
Rated capacity, in standard place settings, for the standard cleaning cycle	14			PS
Energy efficiency class	A+++	A++	A++	
Awarded an "EU Ecolabel" under Regulation (EC) No 66/2010	No			
Energy consumption "X" kWh per year, based on 280 standard cleaning cycles using cold water fill and the consumption of the low power modes. Actual energy consumption will depend on how the appliance is used.	237	266	266	kWh/year
The energy consumption (Et) of the standard cleaning cycle	0.83	0.944	0.944	kWh
The power consumption in off mode	0.49	0.26	0.26	W
The power consumption in left-on mode	0.49	0.26	0.26	W
Water consumption "X" litres per year, based on 280 standard cleaning cycles. Actual water consumption will depend on how the appliance is used.	2700			litres/year
Drying efficiency class "X" on a scale from G (least efficient) to A (most efficient)	A			
The 'Eco' is the standard cleaning cycle to which the information in the label and the fiche relates, that this programme is suitable to clean normally soiled tableware, and that it is the most efficient programme in terms of combined energy and water consumption.				
Programme time for the standard cleaning cycle	193	228	228	min
The duration of the left-on mode (TI)	1			min
Airborne acoustical noise emissions	41	42	44	dB(A)
Free Standing				

РЪКОВОДСТВО ЗА ЕКСПЛОАТАЦИЯ

СЪДОМИЯЛНА

МАШИНА



Преди започването на монтажа прочетете внимателно тези инструкции. Това ще опрости монтажа и ще гарантира, че продуктът е монтиран правилно и безопасно. Оставете тези инструкции близо до продукта след монтажа за бъдещи справки.

БЪЛГАРСКИ

DF425*** / DF325*** / DF325**

СЪДЪРЖАНИЕ

Това ръководство може да съдържа изображения или съдържание, различно от модела, който сте закупили.

Ръководството подлежи на редакция от производителя.

ИНСТРУКЦИИ ЗА БЕЗОПАСНОСТ

ПРОЧЕТЕТЕ ВСИЧКИ ИНСТРУКЦИИ ПРЕДИ УПОТРЕБА.....	4
ПРЕДУПРЕДИТЕЛНИ СЪОБЩЕНИЯ.....	4
СЪОБЩЕНИЯ, ИЗИСКВАЩИ ВНИМАНИЕ	10
ГРИЖА ЗА ОКОЛНАТА СРЕДА.....	12

МОНТИРАНЕ

Части и спецификации	13
Подготовка за отваряне на шкафа.....	15
Нивелиране на уреда	18
Монтиране на маркуча за изходяща вода	19
Подготовка на водните и електрическите връзки	21
Окончателна проверка на монтажа	22

ЕКСПЛОАТАЦИЯ

Преди употреба	23
Преглед на експлоатацията	27
Контролен панел.....	29
Цикли на измиване.....	30
Опции и допълнителни функции.....	32
Таблица с програми.....	35
Информация за тестване.....	43
Зареждане на съдомиялната машина	44
Добавяне на почистващи средства	50
Презареждане.....	52
Полезни съвети	52

ИНТЕЛИГЕНТНИ ФУНКЦИИ

Приложение LG ThinQ	54
Smart Diagnosis	56

ПОДДРЪЖКА

Почистване и грижа	58
--------------------------	----

ОТСТРАНЯВАНЕ НА НЕИЗПРАВНОСТИ

Преди да се обадите за сервиз.....63

ПРИЛОЖЕНИЕ

Фиш на изделието70

ИНСТРУКЦИИ ЗА БЕЗОПАСНОСТ

ПРОЧЕТЕТЕ ВСИЧКИ ИНСТРУКЦИИ ПРЕДИ УПОТРЕБА

Насоките за безопасност по-долу имат за цел да предотвратят непредвидени рискове или увреждане поради опасна или неправилна употреба на уреда.

Насоките са разделени в графи „ПРЕДУПРЕЖДЕНИЕ" и „ВНИМАНИЕ", както е описано по-долу.

Съобщения за безопасност



Този символ се показва, за да посочи проблеми и операции, които могат да причинят риск.

Прочетете внимателно частта с този символ и следвайте инструкциите, за да избегнете риска.



ПРЕДУПРЕЖДЕНИЕ

Това показва, че неспазването на инструкциите може да причини сериозни наранявания или смърт.



ВНИМАНИЕ

Това показва, че неспазването на инструкциите може да причини леки наранявания или да нанесе повреда на продукта.

ПРЕДУПРЕДИТЕЛНИ СЪОБЩЕНИЯ



ПРЕДУПРЕЖДЕНИЕ

- За да намалите риска от експлозия, пожар, смърт, електрически удар, наранявания или изгаряния на хора при употреба на продукта, спазвайте основните предпазни мерки, включително следните:
-

Техническа безопасност

- Този уред не е предназначен за използване от хора (включително деца) с ограничени физически, сетивни или умствени способности или липса на опит и познания, освен ако не са наблюдавани или инструктирани относно употребата на уреда от лице, отговорно за тяхната безопасност. Децата трябва да се наблюдават, за да се гарантира, че не си играят с уреда.
- Спазвайте информацията, дадена в спецификациите относно максималния брой комплекти, които трябва да се мият в съдомиялната машина.
- Налягането във входящия отвор за водата трябва да е между 0,05 МРа и 0,6 МРа.

Монтиране

- Никога не се опитвайте да използвате уреда, ако е повреден, неправилно функциониращ, частично разглобен или ако има липсващи или счупени части, включително повреден кабел или щепсел.
- Ако захранващият кабел е повреден или ако отворите на контакта са хлабави, не използвайте кабела и се свържете с оторизиран сервизен център.
- Не модифицирайте захранващия кабел, предоставен с уреда. Моля, свържете се с центъра за информация за клиенти на LG за съвет относно неговата несъвместимост.
- Този уред трябва да се транспортира само от двама или повече души, държащи здраво уреда.
- Не монтирайте уреда на влажно и прашно място. Не монтирайте и не съхранявайте уреда на открито място или на място, което е изложено на атмосферни условия като директна слънчева светлина, вятър, дъжд или температури под нулата.
- Не включвайте няколко изводни гнезда, разклонител или адаптер към този уред.

- Откачете захранващия кабел, бушона или автоматичния изключвател преди да инсталирате или извършвате сервизни дейности по уреда.
- Когато местите или монтирате уреда на различно място, повикайте квалифициран сервизен персонал за монтаж и сервиз.
- Закрепете отводнителния маркуч здраво на мястото му.
- Този уред не е предназначен за употреба в плавателни съдове или за мобилни инсталации като каравани, ремаркета или самолети.
- Този уред трябва да се постави близо до източник на електрозахранване.
- Когато монтирате или местите уреда, внимавайте да не прищипете, смачкате или повредите захранващия кабел.
- Използвайте нов маркуч или комплект маркучи, доставени с уреда. Повторното използване на стари маркучи може да причини изтичане на вода и последващи щети върху имуществото.
- Неправилното свързване на проводника за заземяване на оборудването може да доведе до риск от токов удар. Консултирайте се с квалифициран електротехник или сервизен персонал, ако имате съмнения дали уредът е правилно заземен.
- Този уред трябва да бъде заземен. В случай на неизправност или повреда заземяването ще намали риска от токов удар, като предостави на електрическия ток пътя на най-малкото съпротивление.
- Този уред е оборудван със захранващ кабел с проводник за заземяване на оборудването и със заземяващ щепсел. Щепселът трябва да бъде включен в подходящ контакт, който е монтиран и заземен в съответствие с всички местни кодекси и наредби.
- След монтажа, проверете съединението на маркуча за течове преди да преместите уреда в отвора на шкафа.
- Не повреждайте и не поставяйте тежки предмети върху захранващия кабел на уреда.

- Този уред е предназначен за употреба само в домакински и домашни приложения и не трябва да се използва за търговски цели.
- За постоянно свързана съдомиялна: Този уред трябва да се свърже към заземена, постоянна електрическа инсталация или да се прокара заземен проводник с електрическите проводници и да се свърже към заземяващата клема, или със захранващи кабели до уреда.
- Свържете заземяващия проводник към зеления заземяващ конектор в клемната кутия.

Експлоатация

- Веднага изключете захранващия кабел от щепсела и се свържете с информационен център за клиенти на LG, ако чуete странен звук, миризма или дим, излизащи от уреда.
- Не ремонтирайте или подменяйте никаква част на уреда. Всички ремонти и цялото обслужване трябва да се извършват от квалифициран сервизен персонал, освен ако в настоящото ръководство за експлоатация не е специално препоръчано друго. Използвайте единствено одобрени фабрични части.
- Не оставяйте вратата на уреда отворена. Ако децата висят на вратата или пропълзят вътре в уреда, могат да причинят щети или наранявания.
- Не използвайте запалим газ и горими вещества (бензен, бензин, разремител, петрол, алкохол и т.н.) в близост до уреда.
- Не се опитвайте да отделяте плоскости или да разглобявате уреда. Не използвайте остри инструменти за контролния панел, за да работите с уреда.
- Не огъвайте прекалено много захранващия кабел и не поставяйте тежки предмети върху него.
- Не поставяйте в уреда живи животни, например домашни любимци.
- Не пипайте щепсела или контролното табло на уреда с мокри ръце.

- Ако е налице изтичане на газ (изобутан, пропан, природен газ и др. т.), не пипайте уреда и щепсела на захранващия кабел и незабавно проветрете мястото.
- В случай на наводнение, изключете от щепсела и се свържете с центъра за информация за клиенти на LG Electronics.
- При определени условия може да се произведе водороден газ в система за гореща вода, ако не е използвана в продължение на две седмици или повече. ВОДОРОДНИЯТ ГАЗ Е ЕКСПЛОЗИВЕН. Ако системата за гореща вода не е използвана в продължение на такъв период от време, преди да използвате уреда, завъртете всички кранчета за гореща вода и оставете водата да тече от всяко за няколко минути. Това ще освободи всичкия насъбрал се водороден газ. Тъй като газът е възпламеним, не пушете и не използвайте открит пламък през това време.
- Пазете площта под и около вашите уреди свободни от запалими материали като влакна, хартия, парцали, химични съединения и т.н.
- Някои почистващи препарати са силно алкални. Те могат да бъдат изключително опасни, ако бъдат погълнати. Избягвайте контакт с кожата и очите и пазете децата на разстояние от съдомиялната, когато вратата е отворена. Проверете дали отделението за почистващия препарат е празно след приключване на измиващата програма.
- Не работете с уреда, когато не са поставени правилно на мястото си всички ограждения.
- Използвайте само почистващи препарати или овлажняващи средства, препоръчани за употреба в уреда и ги дръжте извън обсега на деца.
- Не мийте и не сушете артикули, които са били киснати в експлозивни вещества като газолин, разтворители, препарати на основата на разтворител.
- Когато зареждате съдовете за измиване:
 - Поставете острите предмети така, че да не могат да повредят уплътнението на вратата.

- Поставете острите ножове с дръжките нагоре, за да намалите риска от прорезни наранявания.
- Не мийте пластмасови изделия, освен ако не са отбелязани с „безопасно за съдомиялни“ или еквивалентна маркировка. За пластмасови изделия без такава маркировка, проверете препоръките на производителя.
- Не докосвайте никакъв нагревателен елемент (на място, на което е открит) по време на или веднага след употреба.
- Не използвайте извън предназначение, не сядайте и не стойте върху вратата или рафта за съдове на съдомиялната.
- След почистване на съдовете, изключете кранчето. Включете кранчето отново и проверете състоянието на съединението на водоснабдяващия маркуч преди почистване.
- Не отваряйте вратата, докато уредът работи. Водата ще се разплиска и може да причини опасност от подхлъзване.
- Внимавайте да не заклещите ръката си, когато затваряте вратата на уреда.
- Не мийте и не сушете артикули, които са били киснати в експлозивни вещества като газолин, разтворители, препарати на основата на разтворител.
- Не се допирайте до монтирани изводи под пара.
- Малките части, като скобите за стойки или присъединителните клеми на филтъра могат да представляват опасност от задушаване за малки деца, ако се свалят от съдомиялната. Пазете ги извън обсега на деца.
- Ножове и други прибори с остри върхове трябва да се зареждат в кошницата с остриетата надолу или да се поставят хоризонтално.
- Вратата не трябва да се оставя в отворено положение, тъй като това може да представлява риск от подхлъзване.

Поддръжка

- Никога не изключвайте уреда, като дърпате захранващия кабел. Винаги хващайте щепсела здраво и издърпвайте в права посока от контакта.
- Вкарайте щепсела правилно в контакта, след като премахнете напълно всякаква влага и прах.
- Не пръскайте вода във вътрешната или по външна страна на уреда, за да го почистите.
- Изключете уреда от електрозахранването, преди да го почистите. Настройването на контролните бутони на позиция „ИЗКЛ.“ или режим на готовност не изключва уреда от електрозахранването.

Изхвърляне

- Преди да изхвърлите стар уред, го изключете. Отрежете кабела директно зад уреда, за да предотвратите неправилна употреба.
- Изхвърлете целия опаковъчен материал (като пластмасови чанти и стиропор) далече от достъпа на деца. Опаковъчните материали могат да причинят задушаване.
- Премахнете вратата на уреда, преди да го изхвърлите или извадите от употреба, за да избегнете опасността деца или малки животни да бъдат затворени вътре в него.

СЪОБЩЕНИЯ, ИЗИСКВАЩИ ВНИМАНИЕ

ВНИМАНИЕ

- За да намалите риска от пожар, електрически удар или наранявания на хора при употреба на продукта, спазвайте основните предпазни мерки, като следните:
-

Монтиране

- Монтирайте продукта върху стабилен и равен под.

- Не поставяйте отводнителния маркуч под съдомиялната по време на инсталиране.

Експлоатация

- Изключете кранчето за вода и издърпайте щепсела, ако няма да използвате уреда за дълъг период време, например по време на почивка.
- Не поставяйте предмети върху уреда.
- Не бършете и не промазвайте повърхността на продукта с течен почистващ препарат или избелващо средство (хлоросъдържаща белина, кислородни повърхностно активни вещества за избелване и др). Неспазването на тези инструкции може да доведе до корозия или обезцветяване на покритието.
- Не докосвайте водата, оттичаща се от уреда, тъй като може да е гореща.
- Ако отводнителният маркуч и водоснабдяващият маркуч замръзнат през зимата, размразете ги преди употреба.
- Не слагайте ръцете си, краката си или метални предмети под или зад уреда.
- Не мийте съдове с петна от химически продукти като масла, кремове или лосиони, използвани в салоните за масажи, грижи за кожата, козметични или бръснарски салони.

Поддръжка

- Ако по външните части на продукта се разлее готварско олио, избършете го веднага. Не почиствайте външните части на продукта с почистващи средства, които съдържат алкохол, разреждатели, избелващи вещества, бензин, възпламеними течности или абразиви. Тези вещества могат да обезцветят или повредят уреда.

ГРИЖА ЗА ОКОЛНАТА СРЕДА

Изхвърляне на стария уред



- Символът със зачертания контейнер показва, че отпадъците от електрическо и електронно оборудване (ОЕЕО) трябва да се изхвърлят отделно от битовите отпадъци.



- Старите електрически продукти могат да съдържат опасни вещества и правилното изхвърляне на Вашия уред ще помогне за предотвратяване на негативните последици за околната среда и човешкото здраве. Вашият стар уред може да съдържа части за многократна употреба, които биха могли да бъдат използвани за ремонт на други продукти, както и други ценни материали, които могат да бъдат рециклирани с цел запазване на ограничените ресурси.
- Можете да занесете Вашия уред в магазина, от който сте го закупили, или можете да се свържете с местната агенция за отпадъците, за да получите информация за най-близкия разрешен пункт за събиране на ИУЕЕО (WEEE). За най-актуална информация за Вашата държава, моля, проверете в www.lg.com/global/recycling.

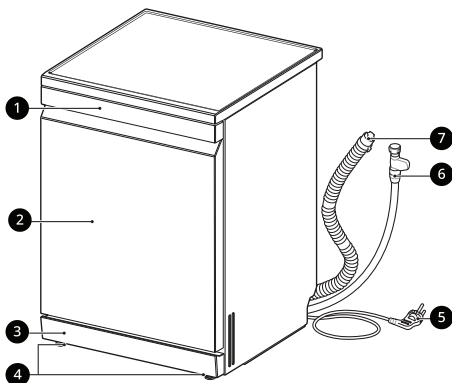
МОНТИРАНЕ

Части и спецификации

ЗАБЕЛЕЖКА

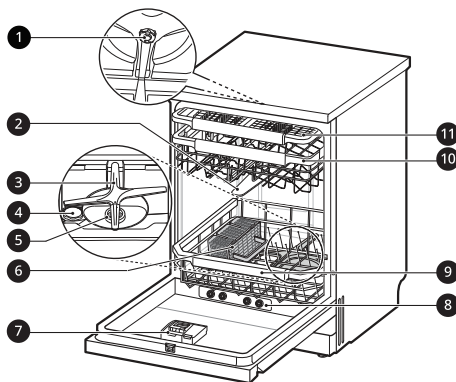
- Външният вид и спецификациите могат да се променят без предизвестие с цел подобряване на качеството на уреда.

Изглед отпред



- 1 Контролен панел и дръжка на вратата
- 2 Преден капак
- 3 Долен капак
- 4 Нивелиращи крачета
- 5 Захранващ кабел
- 6 Водоснабдяващ маркуч
- 7 Отводнителен маркуч

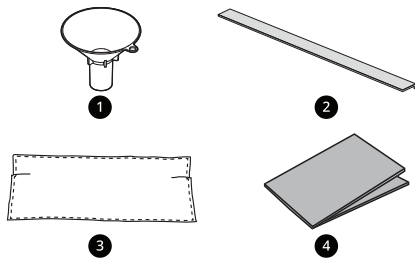
Изглед отвътре



- 1 Горен миялен ротор
- 2 Горно впръскващо рамо
- 3 Долно впръскващо рамо
- 4 Капачка на контейнера за сол
- 5 Филтрираща система
- 6 Кошница за прибори*¹
- 7 Диспенсер за измиващ препарат и подобрител на изплакването
- 8 Парна дюза*¹
- 9 Долен рафт
- 10 Горен рафт
- 11 Рафт за прибори*¹

*¹ Тази характеристика е налична само при някои модели.

Акcesoари



- ❶ Фуния
- ❷ Шумоизолираща лента *1
- ❸ Покриващ филц
- ❹ Лента за спиране на влагата (алуминиева лента)

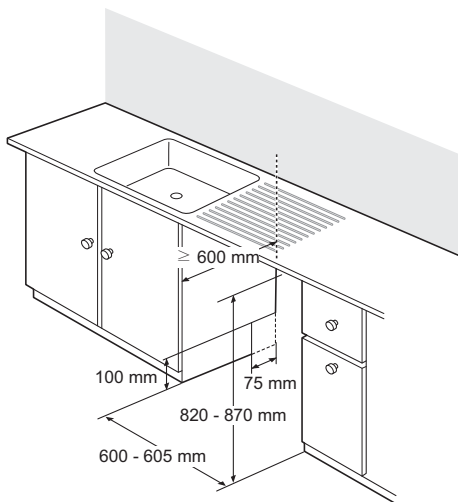
*1 Осигурени са шумоизолиращи ленти: долна – 1 ЕА, предна – 1 ЕА, странична – 2 ЕА

Спецификации

Модел	DF325*** / DF325**	DF425***
Електрозахранване	220 – 240 V~, 50 Hz	
Размер (Широчина X Дълбочина X Височина)	600 мм x 600 мм x 850 мм	
Тегло на продукта	Прибл. 49 kg	Прибл. 52 kg
Максимален капацитет	14 комплекта	
Допустимо налягане на входящата вода	0,05 - 0,6 MPa	
Разход на енергия	1600 - 1800 W	

Подготовка за отваряне на шкафа

Избиране на подходящото място



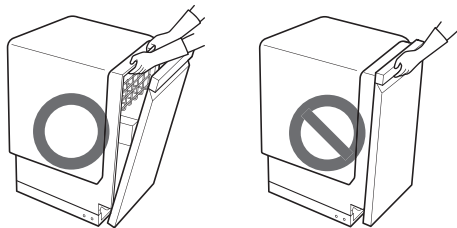
- Монтирайте уреда върху равна и стабилна подова повърхност.
- Изрежете улеи за маркучи и електрически кабели от двете страни. (Приблизително 100 мм X 75 мм)
- Изберете място възможно най-близо до мивката за лесно свързване към водопроводите и отвеждащите тръби.
- За да се осигури отводняването, уредът не трябва да се инсталира на повече от 1 м разстояние от мивката.
- Ако уредът е монтиран в ъгъл, оставете минимален просвет от поне 50 мм между уреда и прилежащия шкаф или стена.
- Преди да поставите уреда на мястото за инсталирането му, трябва да се направят всички необходими регулировки на височината с помощта на гаечен ключ.

защитно покритие, за да се предотврати подуването им.

- Внимателно придвижете съдомиялната в отвора на шкафа. Уверете се, че маркучът зад машината и втрѐ в шкафа не е прегънат или опънат.
- Монтирайте уреда върху плоска и стабилна повърхност. Не поставяйте предмети между пода и основата и не подрязвайте крачетата на уреда.

ЗАБЕЛЕЖКА

- Монтажът трябва да се извърши от квалифициран сервизен персонал, за да е сигурно, че е извършен правилно.
- Не дърпайте и не повдигайте уреда за дръжката; това може да повреди вратата и пантите. Отворете вратата и хванете за рамката на корпуса и горния преден отвор на съда, за да поместите или повдигнете уреда.



- Не затваряйте вратата като я избутвате с коляно.



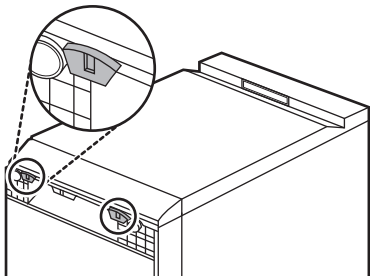
▲ ВНИМАНИЕ

- Всякакви дървени части около уреда трябва да се запечатат с водонепроницаема боя или

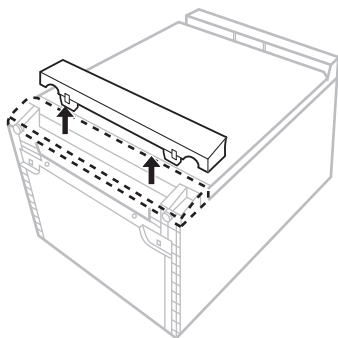
Прикрепяне на планката към основата на уреда

За да намалите шума, прикрепете планката към основата на уреда.

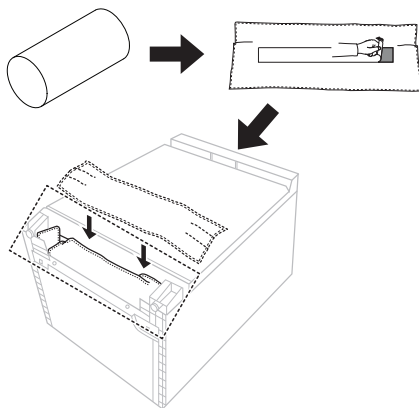
- 1 Поставете уреда легнал на земята и издърпайте за двете куки в дъното на долния капак.



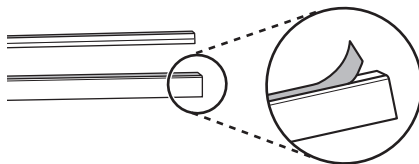
- 2 Издърпайте долния капак и го извадете.



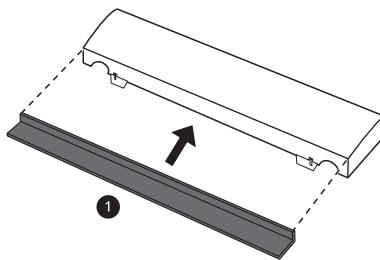
- 3 Отстранете двустранната лента на гърба на филца и я прикрепете към предната страна на дъното на уреда.



- 4 Отстранете двустранната лента от долната и предната планки.



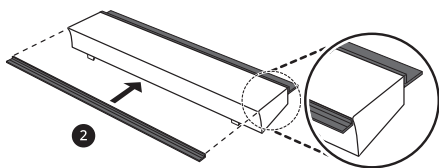
- 5 Прикрепете черната долна планка ① към долната част на долния капак.



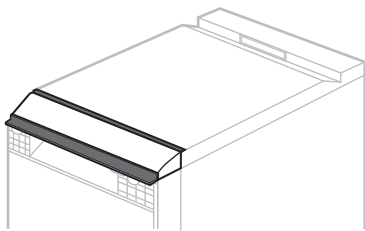
- 6 Прикрепете бялата предна планка ② към горната част на долния капак.

- Дължината на предната планка е по-дълга от долния капак. Прикрепете предната планка така, че издадените

части от двете страни на долния капак да са равни.



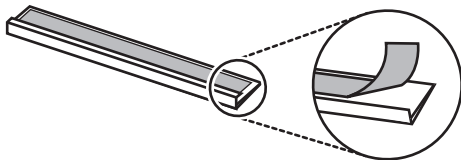
- 7** Прикрепете долния капак с планката към уреда.



Прикрепяне на планката към страничния шкаф на уреда

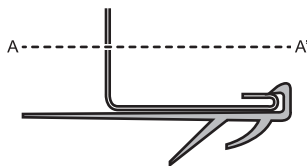
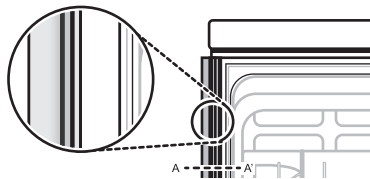
За да се намали шума, прикрепете планката към страните на уреда, ако празното пространство позволява това.

- 1** Отстранете двустранната лента от страничните планки.



- 2** Прикрепете страничната планка към предната страна на страничния шкаф и после бутнете надолу страничната планка,

така че страничната планка да се прилепи добре към шкафа.

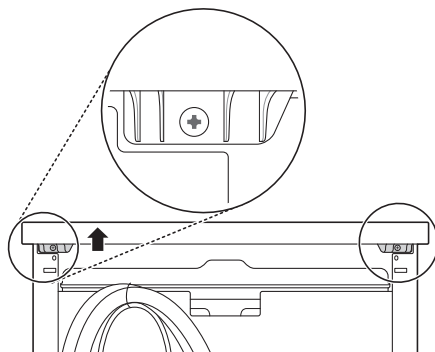


- 3** Повторете горните стъпки за прикрепяне на планката към противоположната страна.

Сваляне на горния капак

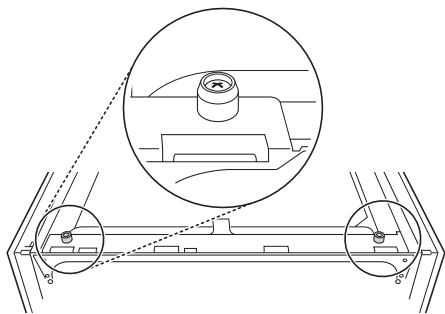
Ако височината на отвора е под 850 мм, следвайте тези инструкции.

- 1** Отстранете 2-та винта отзад.



- 2** Издърпайте горния капак назад, след като свалите двата винта и после го повдигнете, за да го отстраните.

- 3** Свалете застопоряващите щифтове в горната част с помощта на отвертка Phillips.



ЗАБЕЛЕЖКА

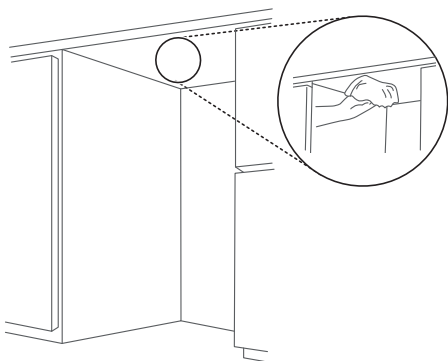
- Когато уредът е правилно нивелиран, не следва да има наклоняване, лепкавост или триещ звук при отваряне на вратата.

Монтиране на лентата за спиране на влагата

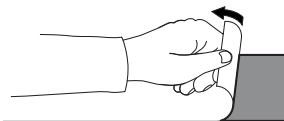
Когато уредът е инсталиран без горен капак, долната страна на плота може да се повреди от парата или кондензацията, когато вратата е отворена.

- Монтирайте преградната лента към долната страна на плота, за да го защитите от кондензация, когато уредът е отворен.

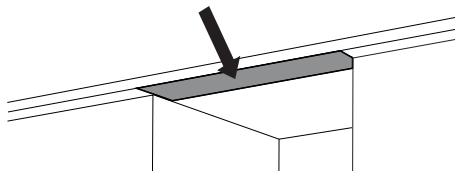
- 1** Почистете и подсушете долната страна на плота, върху който ще се прикрепят лентата.



- 2** Свалете предпазното покритие от лентата.



- 3** Монтирайте лентата към долната страна на плота.



ЗАБЕЛЕЖКА

- Лентата за спиране на влагата е включена в комплекта за ръчен монтаж.
- Ако плотът е направен от гранит или водонепроницаеми материали, тогава не е необходима лента за спиране на влага.
- Кондензацията може да настъпи от долната страна или по протежение на предния ръб на плота, когато стайната температура е ниска.

Нивелиране на уреда

Проверка на нивото

Нивелирането на уреда е нужно за предотвратяване на ненужно изтичане и лошо измиване. Проверете дали уредът е идеално нивелиран, след като бъде монтиран.

- Ако уредът се клати при натискане на горната плоча на уреда по диагонал, регулирайте крачетата отново.

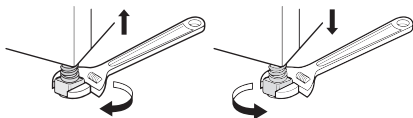
ЗАБЕЛЕЖКА

- Уредът не е нивелиран, ако при отваряне на вратата се чува триещ звук или се отваря трудно.

Регулиране и нивелиране на уреда

Когато уредът не е идеално нивелиран, завъртете регулируемите крачета, докато уредът спре да се клати.

- Завъртете регулируемите крачета по посока на часовниковата стрелка, за да повдигнете или завъртете регулируемите крачета обратно на часовниковата стрелка, за да спуснете отпред назад, настрани и от ъгъл към ъгъл.

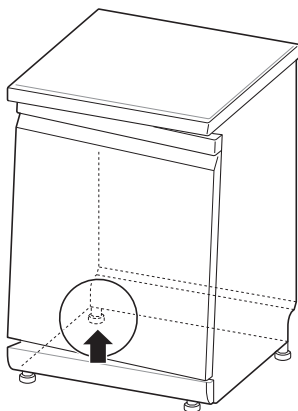


ЗАБЕЛЕЖКА

- Поставете уреда на твърд, равен под.
- Не монтирайте уреда върху повдигната повърхност.

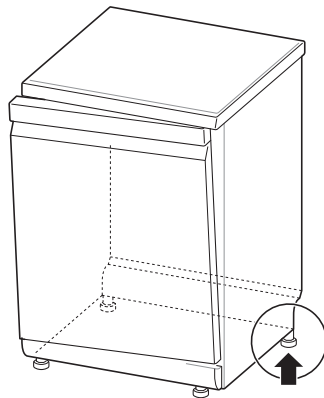
Случай 1. Вратата е наклонена надясно

- 1 Отвинтете (в посока обратна на часовниковата стрелка) задния ляв крак и коригирайте нивото.
- 2 Проверете отвора на вратата и повторете, ако е необходимо, докато вратата започне да се отваря и затваря правилно.



Случай 2. Вратата е наклонена наляво

- 1 Отвинтете (в посока обратна на часовниковата стрелка) задния десен крак и коригирайте нивото.
- 2 Проверете отвора на вратата и повторете, ако е необходимо, докато вратата започне да се отваря и затваря правилно.



Монтиране на маркуча за изходяща вода

Ако краят на отводнителния маркуч не пасва в отводнителната тръба, използвайте комплект за удължаване (по избор), който е устойчив на топлина и измиващи препарати.

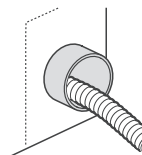
- Може да го намерите в магазина за ВиК части или в железарски магазин.

Свързване към канелката за отходни води

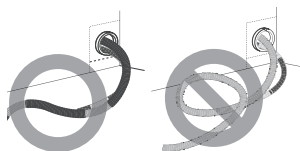
Проверете канелката за отходни води, когато започнете монтажа. Може да се появи грешка UE, когато канелката за отходни води под мивката не е пробита правилно. За да свържете отводнителния маркуч, пробийте дупка с диаметър най-малко 15 мм в канелката, преди да свържете и закрепите.

⚠ ВНИМАНИЕ

- Уверете се, че след пробиването на канелката, няма останали пластмасови отпадъци в нея.
- Не се опитвайте да отваряте дупката за отходни води с отвертка и чук. Това ще вкара боклуци и ще я запуши, причинявайки неизправност при функциониране.
- Внимавайте при прокарване на маркучите през дупките на шкафа, тъй като може да има остри ръбове и маркучите да се повредят. Загладете или изстържете със шкурка ръбовете, за да избегнете повреда на отводнителния или входящия маркуч.



- Уверете се, че маркучът не е прегънат или рязко извит.



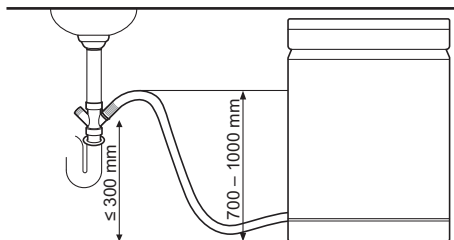
- Маркучът трябва да е изправен преди да прокарате края му през отвора за водоснабдяването.

За да предотвратите сифониране, трябва да се използва един от следните методи.

Метод 1

Когато отводнителният маркуч е свързан към канелката за отходни води, маркучът трябва да

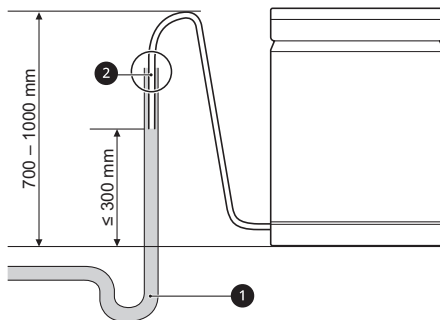
се прекара и закрепи към долната страна на плота.



Метод 2

Когато отводнителният маркуч е свързан с отделна изправена тръба **1**, от съществено значение е да се направи херметическо съединяване **2**. В противен случай може да се появят миризми.

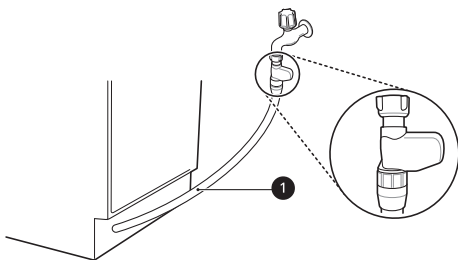
- Диаметърът на изправена тръба е най-малко 40 mm.



Подготовка на водните и електрическите връзки

Свързване на маркуча с водопроводния кран

Свържете водоснабдяващия маркуч ❶ с водопроводния кран.



- Този уред може да се захранва с топла или студена вода. Ако водното съединение не може да се поддържа под 65 °С, уредът трябва да се свърже към студена вода.
- Използвайте уплътнителна лента или уплътнително съединение върху резбата на кранчето, за да избегнете водни течове.
- Уверете се, че маркучът не е прегънат или рязко извит.

ЗАБЕЛЕЖКА

- Преди да свържете водоснабдяващия маркуч към кранчето, завъртете кранчето, за да се отмият чуждите вещества (мръсотия, пясък или стърготини) от водопроводите. Оставете водата да се изтече в кофа.
- Първото водоснабдяване отнема около 3 до 4 минути.

⚠ ПРЕДУПРЕЖДЕНИЕ

- Не скъсявайте и не повреждайте водоснабдяващия маркуч, тъй като съдържа електрически проводници и компоненти. Той не може да се откача или сваля от уреда за инсталационни цели.
- Важно е маркучът да не се манипулира, изрязва, разглобява, дърпа или прегъва. Той съдържа електрически проводници отвътре и ако се повреди, може да причини електрически удар.

Прекарване на електрическите кабели

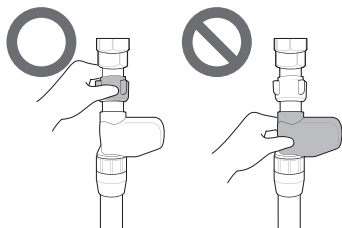
Свържете уреда към заземен контакт в съответствие със съществуващите наредби за електрическите инсталации със защита от минимум 15 атр прекъсвач или стопяем предпазител със забавено действие.

Електроинсталацията трябва да се състои от два проводника със заземяване.

Захранващият кабел не трябва да се поставя зад уреда, а до 1,2 м от страната, така че щепселът да е лесно достъпен.

⚠ ВНИМАНИЕ

- За затягането на водоснабдяващия маркуч към кранчето, използвайте само резбованата му гайка.
- Не извивайте и не прегъвайте водоснабдяващия маркуч, когато го свързвате към кранчето.



⚠ ПРЕДУПРЕЖДЕНИЕ

- За лична безопасност, отстранете домашния бушон или отворете прекъсвача или изключете от щепсела преди инсталирането.
- Не използвайте удължителен кабел или двоен адаптер.
- Щепселът трябва да бъде включен в подходящ контакт, който е правилно монтиран и заземен в съответствие с всички местни кодекси и наредби.

⚠ ПРЕДУПРЕЖДЕНИЕ

- Ремонтите на уреда трябва да се извършват само от квалифициран сервизен персонал. Ремонтите, извършвани от неопитни лица, могат да причинят нараняване или сериозна неизправност. Свържете се с местния център за обслужване.
- Свържете към правилно проектирана, защитена и оразмерена енергийна мрежа, за да избегнете претоварване на електрическата мрежа.

Окончателна проверка на монтажа

Тестване на съдомиялната

- 1 Включете електрозахранването.
- 2 Пуснете водоснабдяването.
- 3 Вратата следва да се отваря и затваря плавно и без дразнещи шумове, ако уредът е нивелиран правилно.
- 4 Включете уреда за работа с цикъл **Rinse (Изплакване)**, за да се уверите, че функционира правилно и проверете за течове.

Кодове за грешка при проверка на монтажа

Код на грешка	Възможна причина и решение
E	<p>Отводнителният маркуч е прегънат или прищипан.</p> <ul style="list-style-type: none"> • Прекарайте отводнителния и водоснабдяващия маркуч през отвора под мивката. После постепенно плъзнете съдомиялната в шкафа, докато издърпвате маркучите под мивката, за да отнемете отхлабванията. Това помага за избягване прегъването на маркучите или затискането им под съдомиялната.
	<p>Канелката за отходни води под мивката е задръстена.</p> <ul style="list-style-type: none"> • Пробийте канелката под мивката с бормашина.
i E	<p>Водоснабдяващият маркуч е прегънат под съдомиялната.</p> <ul style="list-style-type: none"> • Прекарайте отводнителния и водоснабдяващия маркуч през отвора под мивката. После постепенно плъзнете съдомиялната в шкафа, докато издърпвате маркучите под мивката, за да отнемете отхлабванията. Това помага за избягване прегъването на маркучите или затискането им под съдомиялната.
	<p>Водоснабдяването в дома не е включено.</p> <ul style="list-style-type: none"> • Включете водоснабдяването. Налягането на водата може да е твърде високо или твърде ниско.

ЕКСПЛОАТАЦИЯ

Преди употреба

Този модел има омекотител за вода, за омекотяване на твърда вода.

ЗАБЕЛЕЖКА

- Уредът може да се използва без соли за съдомиялна, ако не се изисква това, но нивото на твърдост трябва да се зададе на Н0, така че иконката да не свети.
- За да се осигурят задоволителни резултати от изплакването, уредът се нуждае от мека вода, т.е. съдържаща малко или никакъв варовик, в противен случай по съдовете и вътрешността на уреда ще останат петна от водата.
- Ако чешмяната вода превишава определено ниво на твърдост, тя трябва да се омекоти, т.е. да се декалцира. Това се постига като се добавят соли за съдомиялна към омекотителя на водата в уреда. Нужното количество соли се задава според твърдостта на чешмяната вода.

Проверка на твърдостта на водата

Метод 1

- 1 Проверете твърдостта на водата във вашия район. Компанията за водоснабдяване може да ви съдейства.
- 2 Задайте ниво на системата за омекотяване на уреда в съответствие с нивото на твърдост на водата.

Метод 2

Можете да проверите твърдостта на водата като използвате лентата за тестване, включена в продукта.

- 1 Потопете всички реактивни зони на лентата за тестване за около една секунда. Не използвайте течаща вода.

- 2 Изтръскайте излишната вода от лентата и изчакайте 1 минута.
- 3 Проверете цвета на лентата за твърдостта на водата. Направете справка с опаковката.

Таблица за твърдостта на водата

Твърдост на водата							Ниво на омекотяване	Съотношение* 1
ppm	°d	°e	°f	ммол/л (Ca+Mg)	мг/л (Ca)	Обхват		
0	4	5	7	0,7	29	Мека	H0	-
75	4 - 7	5 - 9	7 - 13	0,7 - 1,3	29 - 50		H1	1:24
125	7 - 14	9 - 17,5	13 - 25	1,3 - 2,5	50 - 100		H2	1:7
250	14 - 21	17,5 - 26	25 - 38	2,5 - 3,8	100 - 150		H3	1:4
375	>21	>26	>38	>3,8	>150	Твърда	H4	2:1

*1 Броят обновявания на омекотителя за вода*2: броят на циклите на измиване*3

*2 Обновяване на омекотителя за вода се извършва в края на основна операция по измиване съгласно програмата **Eco**.

*3 Един цикъл на измиване се състои от 4 операции (предварително измиване, основно измиване, изплакване, изплакване с нагряване) в съответствие с програмата **Eco**.

Настройване на системата за омекотяване на водата

За ефективни резултати от измиването задайте настройката според твърдостта на водата, използвана при водоснабдяването.

Омекотителят на водата има 5 нива на настройване и уредът е фабрично програмиран за ниво на твърдост на водата H2. Можете да проверите стойността на настройката по подразбиране и да я регулирате в следните стъпки:

1 Натиснете едновременно бутон **Електрозахранване** и **Half Load (Половин зареждане)**.

- Указана е текущата стойност на настройката.

2 Натиснете бутона **Delay Start (Стартиране с отложен старт)** и после задайте желаната стойност.

- Диапазонът на стойността на настройката е от H0 до H4.

3 Натиснете бутон **Start (Старт)**, за да запазите настройката.

- Електрозахранването се изключва след запаметяване.

ЗАБЕЛЕЖКА

- Иконата **Презареждане на сол** се включва на дисплея, ако в системата за омекотяване няма сол за съдомиялна машина.
- Ако настройката на твърдостта е зададена на H0, не светва никаква иконка, дори и да няма соли.

Презареждане на сол за съдомиялна

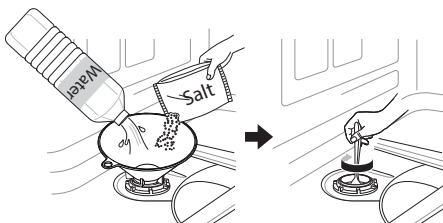
Дозаторът за сол трябва да се напълни със сол, преди да се стартира програмата за измиване. В случай на недостатъчно количество сол, иконата **Презареждане на сол** се показва на дисплея, освен ако нивото на твърдост не е зададено на H0.

⚠ ВНИМАНИЕ

- След като напълните със сол за съдомиялна, трябва да пуснете незабавно цикъла за изплакване, за да премахнете солта и солената вода от вътрешната вана, за да се предотврати корозия.

1 Отстранете долния рафт и свалете капачката на дозатора за сол, разположен отляво на филтрите.

2 Преди да използвате уреда за пръв път, необходимо е да изсипете едновременно 1 kg сол за съдомиялна и 1 литър вода, ако възнамерявате да използвате системата за омекотяване на водата. Когато пълните със сол, използвайте фуния. Вижте раздел **Преди употреба**.



3 Поставете капачката отново, като я затворите добре.

4 Пуснете цикъла за изплакване **Rinse (Изплакване)** без съдове.

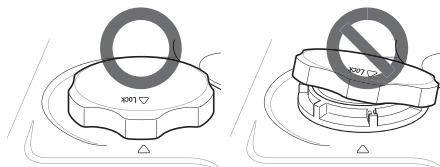
Програма за пълнене със сол (1 кг за всяко зареждане)

	N1	N2	N3	N4
Цикли	130	50	20	10

- Таблицата описва информация за програмата **Auto (Автоматично)**.
- Програмата може да варира в зависимост от количеството сол.

⚠ ВНИМАНИЕ

- Не наливайте измиващ препарат в дозатора за сол. Ще причини неизправност.
- Избършете евентуално разпиляната сол около капачката на дозатора за сол. Соленият разтвор, който попадне вътре, може да причини корозия във ваната и на заредените съдове в съдомиялната машина.
- Уплътнете капачката правилно, като я подравните хоризонтално и я завъртите в посока на часовниковата стрелка. Хлабаво монтирана капачка може да причини изтичане на солния разтвор от дозатора за сол във ваната и да причини корозия.
- След като презаредите солите за съдомиялна, следва да пуснете програма, без да поставяте съдове, тъй като всяка разпиляна сол във вътрешността на уреда може да причини ръжда или повреда на уреда, ако се остави неотмита.



ЗАБЕЛЕЖКА

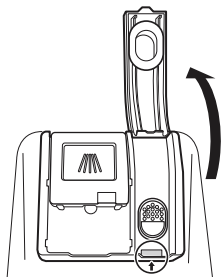
- Соли можете да закупите от дистрибуторите им.

Добавяне на подобрител на изплакването

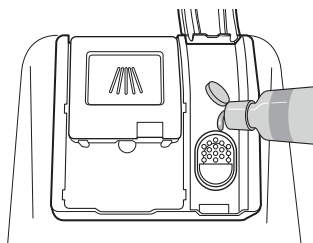
На дисплея се появява индикаторът **Подобрител на изплакването**, когато е необходимо по-голямо количество подобрител на изплакването.

Използването на подобрител на изплакването се препоръчва за предотвратяване на петна от вода по съдовете и за подобряване на резултатите от сушенето.

- 1** Отворете капака на подобрителя на изплакването като повдигнете крилото.



- 2** Добавете течен подобрител на изплакването до максималното ниво на запълване. Подобрителят на изплакването трябва да се отложи в дозатора по време на напълването или може да се получат въздушни мехурчета и да влошат резултати от сушенето.



- 3** Затворете капака, за да затворите диспенсера. Подобрителят на изплакването се изпуска автоматично по време на финалния цикъл на изплакването.

⚠ ВНИМАНИЕ

- Избършете всякакъв разсипан подобрител на изплакването, за да предотвратите пяна.

ЗАБЕЛЕЖКА

- Използвайте само течен подобрител на изплакването в уреда.
- Не препълвайте диспенсера за подобрителя на изплакването.
- Твърде много или твърде малко подобрител на изплакването може да възпрепятства резултатите от сушенето.

- Ако подобрителят на изплакването изтича от дозатора, избършете го. В противен случай може да се образува много пяна и да се появят петна по съдомиялната машина.

Настройване нивото на подобрителя на изплакването

Диспенсерът има пет нива на настройване. Програмата по подразбиране е ниво 2 за изплакване. Това може да се провери и промени с помощта на бутоните върху контролния панел.

- Уверете се, че уредът е изключен.
- Натиснете **Електрозахранване** и **Dual Zone (Двузоново)** едновременно, за да проверите текущата настройка.
- Натиснете **Delay Start (Стартиране с отложен старт)**, за да проверите настройката на диспенсера за подобрител на изплакването. Всяко натискане на бутона променя настройката с една стъпка от L0(изкл.) до L4.
- След като бъде избрана желаната настройка на диспенсера за подобрител на изплакването, натиснете **Start (Старт)**, за да запаметите.

- Електрозахранването се изключва след запаметяване.

⚠ ВНИМАНИЕ

- Ако капакът на подобрителя на изплакването не е затворен правилно, във ваната ще се освободи голямо количество подобрител на изплакването и ще причини проблеми при измиването.

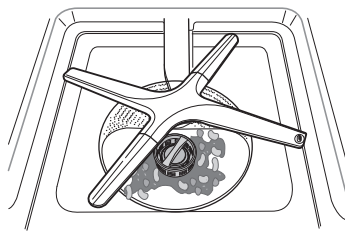
ЗАБЕЛЕЖКА

- Иконата **Презареждане на подобрител на изплакването** ✨ ще светне, когато е

необходимо по-голямо количество подобрител на изплакването.

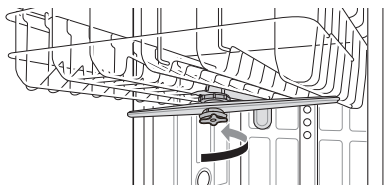
- Ако забележите замъглени петна или ивици, или петна от вода по стъклените съдове след измиването, увеличете нивото на настройката.
- Твърде висока настройка на механизма за управление може да причини пенообразуване, което ще влоши резултатите от измиването.
- Ако по стъклото има петна или на дъното има пена, намалете нивото на настройката.
- Твърде ниска настройка на механизма за управление може да причини образуване на петна и ивици по съдовете и лоши резултати от сушенето.

не се влошават резултатите от измиването.



4 Осигурете безпрепятственото въртене на впръскващите рамена.

- Уверете се, че горните и долните впръскващи рамена се въртят добре. Сваляте впръскващото рамо и го почистете добре, ако то не се върти добре.



5 Заредете съдовете на рафта.

- Уверете се, че съдовете и приборите не препречват траекторията на впръскващите рамена.
- Не поставяйте съдове един върху друг.



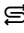

Преглед на експлоатацията

Използване на уреда

1 Натиснете бутона Електрозахранване.

- Устройството ще се включи. Проверете индикаторите.

2 Проверете дали има подобрител на изплакването и сол за съдомиялна.

- Напълнете с подобрител на изплакването и сол, ако светят съответните иконки. За повече информация, вижте раздел **Презареждане**.
-  : Иконка за презареждане на сол
-  : икона за подобрител на изплакването

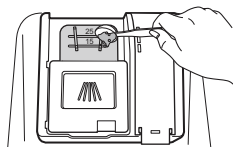
3 Отворете вратата и проверете филтрите.

- Винаги почиствайте филтъра след измиване или преди измиване, така че да

6 Добавете правилното количество прах за миене в диспенсера.

- Ако използвате таблетки, можете просто да ги поставите върху основата на ваната

или върху долната част на вътрешната врата.



7 Задайте и започнете програмата.

- Програмата ще стартира автоматично до 4 секунди след избирането на настройка.

⚠ ПРЕДУПРЕЖДЕНИЕ

- Не зареждайте артикули в горния рафт, когато долният рафт е издърпан и зареден. В противен случай, това може да доведе до нараняване поради загуба на равновесие и преобръщане на уреда.
- Вкарайте докрай горния рафт.
- Изпразнете първо долния рафт, а после и горния. Така ще се избегне прокапване на вода от горния рафт върху съдовете отдолу.
- Не отваряйте вратата по време на работа или след като е завършила програмата за измиване, тъй като парата може да причини попарване при отваряне на вратата.

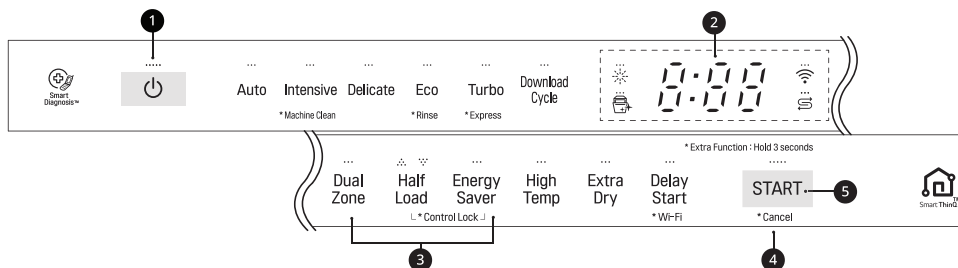
ЗАБЕЛЕЖКА

- Никога не използвайте течен препарат за миене на съдове в уреда.
 - Не се препоръчва да изплаквате съдовете на ръка, преди да работите със съдомиялната машина, защото се увеличава консумацията на вода и енергия.
 - Измиването на съдове в домашна съдомиялна машина обикновено консумира по-малко енергия и вода във фазата на употреба, отколкото ръчното миене на съдове, ако домашната съдомиялна машина се използва в съответствие с инструкциите на производителя.
-

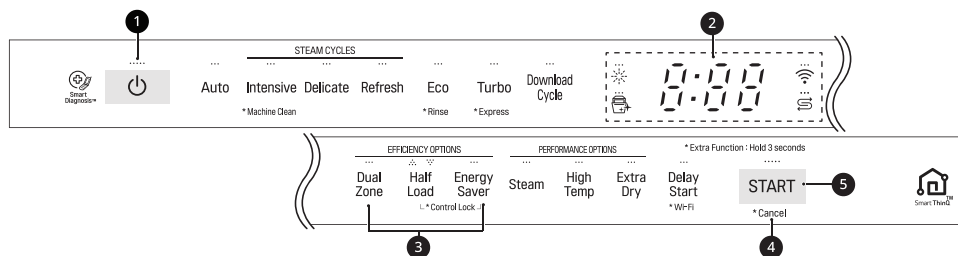
Контролен панел

Характеристики на контролния панел

За модели без използване на пара



За модели с използване на пара



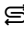
1 Електрозахранване

- Натиснете бутон **Електрозахранване**, за да включите или изключите.
- След завършване на програмата, електрозахранването автоматично се изключва с цел безопасност и икономия.
- Ако има пренапрежение, спиране на тока или всякакъв вид прекъсване, електрозахранването автоматично се изключва за безопасност.
- Когато електрозахранването се възстанови отново, то автоматично ще **ВКЛУЧИ** и възобнови цикъла.

2 Дисплей

• 8:88 : Цифров дисплей

- Цифровият дисплей върху контролния панел показва **ПРИБЛИЗИТЕЛНОТО** време на цикъла. Когато цикълът и опциите са избрани, дисплеят показва общото приблизително време за завършването им. По време на работа, дисплеят показва оставащото приблизително оперативно време.
- Очакваното време, показано на дисплея, не включва времето на забавяне за нагряване на водата и т.н.
- Ако бъде избран старт с отлагане на начало **Delay Start (Стартиране с отложен старт)**, дисплеят показва времето на отлагане в часове.

- Времето на автоматичния цикъл **Auto (Автоматично)** може да варира в зависимост от нивото на замърсяване на заредените съдове.
-  : **Иконка за подобрител на изплакването**
 - Иконката примигва, когато нивото на подобрителя на изплакването е ниско. LED се изключва автоматично, когато презареждате с подобрител на изплакването или нивото е зададено на 0.
-  : **Иконка за почистване на машината**
 - Иконката примигва след всеки 30 цикъла.
 - За да активирате или деактивирате иконката, натиснете бутона **Delicate (Деликатни)** за 3 секунди.
-  : **Wi-Fi**
 - Когато уредът е свързан към интернет чрез домашна Wi-Fi мрежа, тази иконка свети.
-  : **Иконка за презареждане на сол**
 - Иконката примигва, когато нивото на солта е ниско. LED се изключва автоматично, когато презареждате със соли.

3 Вкл./Изкл на звук

- За да активирате или деактивирате звуковете на бутоните, натиснете и задръжте **Dual Zone (Двузоново)** и **Energy Saver (Енергоспестяващо)** едновременно за 3 секунди. Сигналният звук за грешка не може да бъде изключен.

4 Cancel (Отмяна)

- Водоотливната помпа се задейства и цикълът се отменя. След като уредът завърши източването, електрозахранването се изключва.
- Натиснете и задръжте бутона **Start (Старт)** за 3 секунди, за да активирате функцията за отмяна.

5 Start (Старт)

- За да работите с уреда, затворете вратата и натиснете бутон **Start (Старт)**.
- Ако бутон **Start (Старт)** не бъде натиснат за стартиране на цикъла до 4 минути, електрозахранването автоматично ще се изключи.

Цикли на измиване

Auto (Автоматично)

Този цикъл открива количеството замърсяване и бистротата на водата, и оптимизира измиването за постигане на най-добро почистване. Времето за измиване може да варира в зависимост от нивото на замърсяване.

Intensive (Интензивно)

Този цикъл е за силно замърсени съдове и съдове с втвърдено замърсяване. Този цикъл

по подразбиране е с най-силен интензитет на впръскване и се използва за измиване на силно замърсени съдове.

Delicate (Деликатни)

Използвайте този цикъл за почистване на деликатни артикули като фин китайски порцелан и стъклени чаши със столче.

Refresh (Опресняване)

Този цикъл освежава и затопля съдовете, които са били неизползвани дълго време.

- Не използвайте препарат за миене, когато използвате този цикъл.

Есо

Осигурява най-ефективния разход на енергия и вода за добри резултати от измиването и от сушенето при нормално замърсени съдове, тъй като използва много малко енергия.

Turbo (Турбо)

Този цикъл ще почисти средно замърсени съдове като използва повече енергия и вода.

- **Extra Dry (Много сухи)** е настроен на включен по подразбиране. Ако не желаете да сушите съдовете след като ги измиете, изключете опцията **Extra Dry (Много сухи)**. Ако не използвате сушене на съдовете, цикълът ще отнеме по-малко време.

Download Cycle (Изтегляне на цикъл)

Използвайте специален цикъл, който може да се изтегли чрез Wi-Fi или NFC (в зависимост от модела).

ЗАБЕЛЕЖКА

- На уреда се показва само кодът на цикъла за понастоящем изтегления цикъл. Вижте приложението за смартфони за кодове, имена на цикли и повече информация за наличните цикли.
- Цикъл по подразбиране: P1. Тенджери и тигани

Machine Clean (Почистване на машината)

Този цикъл е за почистване вътрешността на уреда. Използвайте цикъла без съдове в уреда. Това ще елиминира остатъчни замърсявания, миризми, бели петна, варовик и други замърсявания. Добавете лимонена киселина или друго почистващо средство за по-ефективни резултати.

- Натиснете и задръжте бутона **Intensive (Интензивно)** за 3 секунди, за да го активирате.

Rinse (Изплакване)

Този цикъл е бързо изплакване само за съдове, които няма да бъдат веднага измивани. Цикълът изплаква съдове, които имат прекомерно замърсяване, за да омекоти засъхналите остатъци. Изплакването на съдовете помага за предотвратяване на миризми в уреда.

- Натиснете и задръжте бутона **Есо** за 3 секунди, за да го активирате.

ЗАБЕЛЕЖКА

- Не използвайте препарат за миене с тази опция.
- Този цикъл няма сушене.

Express (Експресно)

Този цикъл ще почисти бързо лесно замърсени съдове.

- Натиснете и задръжте бутона **Turbo (Турбо)** за 3 секунди, за да го активирате.

ЗАБЕЛЕЖКА

- Този цикъл няма сушене. Изберете опцията **Extra Dry (Много сухи)** или друг цикъл за по-добро сушене. **Extra Dry (Много сухи)** Ще добави към общото време на цикъла.

ЗАБЕЛЕЖКА

- Не се препоръчва използване на таблетки за миене при използване на цикъл **Express (Експресно)**. Ако се използват таблетки за миене, това може да причини утайка от препаратата по съдовете поради относително ниските температури на изплакване.

Опции и допълнителни функции

Изберете бутона за желанния цикъл и после изберете опциите за този цикъл. За повече информация, вижте раздел **Ръководство за цикли/опции**.

Dual Zone (Двузоново)

Тази опция автоматично настройва интензитета на впръскването на лек за горното рамо и силен за долното впръскващо рамо. Поставете силно замърсените съдове като чинии и купи на долния рафт, а леко замърсените съдове като чаши и малки чинии на горния рафт за най-добри резултати.

Half Load (Половин зареждане)

Тази опция измива интензивно, като избира горните или долните рафтове. За малки зареждания, използвайте само горния или долния рафт, за пестене на енергия и време. Като натиснете бутона **Half Load (Половин зареждане)**, стават налични настройките ∴ (горна), ∴∴ (долна) и отмяната на тази опция.

Energy Saver (Енергоспестяващо)

Тази опция спестява енергия, като понижава температурите за измиване и изплакване. Времето за измиване се намалява, за да се запазят резултатите от измиването. Не

използвайте този цикъл със силно замърсени съдове.

Steam (Пара)

Тази опция добавя пара по време на цикъла за подобряване резултатите от измиването.

High Temp (Висока температура)

Повишава температурата на основното миене или нагряването при изплакване за по-добро почистване.

- Ще прозвучи сигнал, за да ви извести за остатъчни температури в уреда. Изчакайте уредът да се охлади напълно, преди да отворите вратата.

Extra Dry (Много сухи)

Изберете тази опция за по-добри резултати от изсушаването. Тази опция добавя допълнително време за сушене към цикъла и повишава температурата на нагряване за изплакването.

- Когато няма подобрител на изплакването, тази опция се избира автоматично.

Delay Start (Стартиране с отложен старт)

Тази функция забавя началото на избрания цикъл. Всеки път, когато натиснете бутон **Delay Start (Стартиране с отложен старт)**, времето на забавяне се увеличава с един час. Времето на забавяне може да се настрои от 1 до 12 часа, с увеличение от един час.

- За да отмените тази функция, изключете електрозахранването.
- За да промените цикъла и опцията на цикъла, отворете вратата и после изберете друг цикъл и опция на цикъл. Предстартовото броене ще продължи.

Control Lock (Заклучване на механизмите за управление)

Тази функция помага за предотвратяване промяна на настройките по време на цикъл. Избирането на тази функция заключва всички бутони, освен бутона **Електрозахранване** на контролния панел. Тази функция не заключва вратата.

- При модели с външен дисплей, докато работи цикълът, натиснете и задръжте **Half Load (Половин зареждане)** и **Energy Saver (Енергоспестяващо)** едновременно за 3 секунди, за да активирате или деактивирате тази функция. При модели със скрит дисплей, отворете вратата по време на работа и следвайте същите инструкции.
- Когато тази функция е активирана, кодът на дисплея 00 ще се покаже на дисплея.
- За да започнете нов цикъл, деактивирайте тази функция.
- Тази функция може да бъде зададена по всяко време като се включи уредът.

Wi-Fi

Натиснете и задръжте **Delay Start (Стартиране с отложен старт)** за 3 секунди, за да свържете към мрежата. Вижте раздели **ИНТЕЛИГЕНТНИ ФУНКЦИИ** за подробна информация относно тази функция.

Автоматично отваряне при сушене

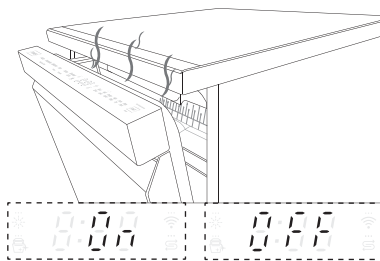
Тези детайли може да варира според закупения модел.

Вратата ще се отвори автоматично в края на програмата, която включва сушене, за да подобри резултатите от сушенето.

- За да активирате или деактивирате тази функция, натиснете и задръжте бутона **Energy Saver (Енергоспестяващо)** и бутона **High Temp (Висока температура)** едновременно за 3 секунди.
- Тази функция не е налична, когато бъде избран цикъл за почистване на машината

Machine Clean (Почистване на машината) и Rinse (Изплакване).

- Когато изберете **Download Cycle (Изтегляне на цикъл)**, тази функция може да работи дори, ако функцията е деактивирана, защото **Download Cycle (Изтегляне на цикъл)** е предназначен за постигане на най-добрите резултати за конкретна цел, независимо от настройките на уреда.
- Дисплеят показва дали тази функция е включена или изключена.



⚠ ПРЕДУПРЕЖДЕНИЕ

- Пазете децата на разстояние от уреда, докато той работи. Излагането на пара с висока температура може да причини попарване или изгаряния.

SignalLight™

Тези детайли може да варира според закупения модел.

SignalLight™ показва статуса на уреда, дали има възникнали проблеми, дали работи нормално или е готов за измиването.

- В зависимост от модела, лампата може да е разположена в предната страна на уреда или горната част на вратата.

Червена (отляво)

Червената лампа проблясва, когато уредът открие грешка. За повече информация относно грешката, вижте част **Код за грешка** в раздел **ОТСТРАНЯВАНЕ НА НЕИЗПРАВНОСТИ**.

Бяла (в средата)

Бялата лампа проблясва, когато изберете цикъл от опцията или когато цикълът е в пауза.

- Бялата лампа светва, когато има работещ цикъл.

Зелена (отдясно)

Зелената лампа светва, когато даден цикъл завърши. Когато вратата е отворена, лампата се изключва.

- Ако уредът не открие, че вратата е отворена, лампата ще се изключи след 90 секунди.

Таблица с програми

Ръководство за програмите

При моделите DF425***

Програма	Ниво на замърсяване	Измиване		Rinse (Изплакване)		Dry (Сушене)
		Pre-Wash (Предпране)	Основно измиване	Rinse (Изплакване)	Изплакване с нагряване	
Auto (Автоматично)	Всички нива	●	● (65 - 70 °C)	●	● (62 °C) ^{*1} (70 °C) ^{*2}	●
Intensive (Интензивно)	Силно	●	● (75 °C)	●	● (62 °C) ^{*1} (70 °C) ^{*2}	●
Delicate (Деликатни)	Леко	●	● (55 °C)	●	● (62 °C) ^{*1} (70 °C) ^{*2}	●
Refresh (Опресняване) ^{*1}		●		●	● (62 °C) ^{*1} (75 °C) ^{*2}	●
Eco	Средно	●	● (46 °C) ^{*1} (42 °C) ^{*2}	●	● (54 °C) ^{*1} (64 °C) ^{*2}	●
Turbo (Турбо)	Средно	●	● (65 °C)	●	● (62 °C) ^{*1} (65 °C) ^{*2}	
Express (Експресно)	Леко	●	● (45 °C)	●	● (62 °C) ^{*1} (60 °C) ^{*2}	
Rinse (Изплакване)	Леко			●		

Програма	Ниво на замърсяване	Измиване		Rinse (Изплакване)		Dry (Сушене)
		Pre-Wash (Предпране)	Основно измиване	Rinse (Изплакване)	Изплакване с нагряване	
Machine Clean (Почистване на машината)		●	● (50 °C)	●	● (70 °C)	●

*1 Функцията **Автоматично отваряне при сушене** е включена.

*2 Функцията **Автоматично отваряне при сушене** е изключена.

ЗАБЕЛЕЖКА

- Оперативното време може да варира според температурата на водата, температурата на околната среда, налягането на водата и напрежението.
- Информация, че стойностите, дадени за програми, различни от екологичната програма, са само ориентировъчни.
- Когато функцията **Автоматично отваряне при сушене** е активирана, температурата изплакване с нагряване може да варира.

При моделите DF325***/DF325**

Програма	Ниво на замърсяване	Измиване		Rinse (Изплакване)		Dry (Сушене)
		Pre-Wash (Предпране)	Основно измиване	Rinse (Изплакване)	Изплакване с нагряване	
Auto (Автоматично)	Всички нива	●	● (65 - 70 °C)	●	● (70 °C)	●
Intensive (Интензивно)	Силно	●	● (75 °C)	●	● (70 °C)	●
Delicate (Деликатни)	Леко	●	● (55 °C)	●	● (70 °C)	●
Refresh (Опресняване)*1		●		●	● (75 °C)	●
Eco	Средно	●	● (42 °C)	●	● (64 °C)	●
Turbo (Турбо)	Средно	●	● (65 °C)	●	● (65 °C)	
Express (Експресно)	Леко	●	● (45 °C)	●	● (60 °C)	
Rinse (Изплакване)	Леко			●		
Machine Clean (Почистване на машината)		●	● (50 °C)	●	● (70 °C)	●

*1 За модели с използване на пара

ЗАБЕЛЕЖКА

- Оперативното време може да варира според температурата на водата, температурата на околната среда, налягането на водата и напрежението.

ЗАБЕЛЕЖКА

- Информация, че стойностите, дадени за програми, различни от екологичната програма, са само ориентировъчни.
-

Регламент за Европа (при моделите DF425*)**

Програма	Разход на вода *1	Разход на енергия (kWh) *1	Времетраене (мин.) *1
Auto (Автоматично)	12,9	0,91 - 0,97	162
Intensive (Интензивно)	23,1	1,60	185
Delicate (Деликатни)	16,5	1,07	124
Eco	9,5	0,85	193
Refresh (Опресняване)	10,0	0,76	120
Turbo (Турбо)	18,5	0,84	78
Express (Експресно)	9,6	0,58	56
Rinse (Изплакване)	6,6	0,01	18
Machine Clean (Почистване на машината)	12	0,78	83

*1 Функцията **Автоматично отваряне при сушене** е включена.

ЗАБЕЛЕЖКА

- Показаните данни ще варират в зависимост от отделните условия.

Регламент за Европа (при моделите DF325***/DF325**)

Програма	Разход на вода	Разход на енергия (kWh)	Времетраене (мин.)
Auto (Автоматично)	13,1	1,08 - 1,17	195
Intensive (Интензивно)	23,9	1,76	185
Delicate (Деликатни)	16,8	1,14	124
Eco	9,5	0,95	228
Refresh (Опресняване)*1	9,8	0,78	66
Turbo (Турбо)	18,8	0,87	59
Express (Експресно)	12,4	0,61	38
Rinse (Изплакване)	6,5	0,01	18
Machine Clean (Почистване на машината)	12,1	0,75	83

*1 За модели с използване на пара

ЗАБЕЛЕЖКА

- Показаните данни ще варират в зависимост от отделните условия.

ЗАБЕЛЕЖКА

- Регламент ЕС 2019/2022, валиден от 1 март 2021 г., е свързан с класовете за енергийна ефективност чрез Регламент ЕС 2019/2017.
- Сканирайте QR кода от енергийния етикет, доставен с уреда, който предоставя уеб връзка към информацията, свързана с работата на уреда в базата данни на EU EPREL. Съхранявайте енергийния етикет за справка заедно с ръководството за употреба и всички останали документи, предоставени с уреда.
- Името на модела може да бъде намерено на етикета за оценка на уреда. Отворете вратата и погледнете дясната страна на вратата.
- За да намерите същата информация в EPREL, посетете <https://eprel.ec.europa.eu> и потърсете, като използвате името на модела. (Важи от 1 март 2021 г.)

Налични опции

ЗАБЕЛЕЖКА

- Опцията за пестене на енергия **Energy Saver (Енергоспестяващо)** не е налична с опцията **High Temp (Висока температура)** или **Extra Dry (Много сухи)**.
- Опцията **Delay Start (Стартиране с отложен старт)** може да бъде избрана за всяка програма за измиване в настоящата таблица.

За модели без използване на пара

Програма	Dual Zone (Двузоново)	Half Load (Половин зареждане)	Energy Saver (Енергоспестяващо)	High Temp (Висока температура)	Extra Dry (Много сухи)
Auto (Автоматично)	●	●	●	●	●
Intensive (Интензивно)	●	●		●	●
Delicate (Деликатни)		●	●		●
Eco	●	●	●	●	●
Turbo (Турбо)	●			●	●
Express (Експресно)	●			●	●
Rinse (Изплакване)					
Machine Clean (Почистване на машината)					
Download Cycle (Изтегляне на цикъл)					

За модели с използване на пара

Програма	Dual Zone (Двузоно во)	Half Load (Половин зареждан е)	Energy Saver (Енергоспе стяващо)	Steam (Пара)	High Temp (Висока температу ра)	Extra Dry (Много сухи)
Auto (Автомати чно)	●	●	●	●	●	●
Intensive (Интензив но)	●	●		●	●	●
Delicate (Деликатн и)		●	●	●		●
Refresh (Опресняв ане)				●		●
Eco	●	●	●	●	●	●
Turbo (Турбо)	●			●	●	●
Express (Експресно)	●				●	●
Rinse (Изплаква не)						
Machine Clean (Почиства не на машината)						
Download Cycle (Изтеглян е на цикъл)						

Информация за тестване

За модели с функция автоматично отваряне при сушене

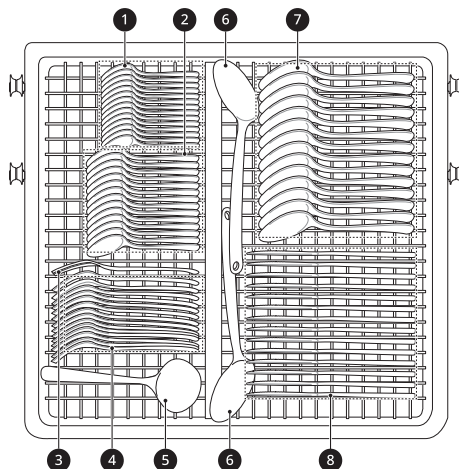
- Капацитет: 14 комплекта
- Програма за съпоставимост: **Есо**
- Настройка на подобрителя на изплакването: L4
- Референтен почистващ препарат: 22 г почистващ препарат в дозатора във вътрешната част.
- Положение на U-рафт с регулируема височина: Средно
- **Автоматично отваряне при сушене** настройка: Вкл.
- Тип филтър: ръчен

За модели без функция автоматично отваряне при сушене

- Капацитет: 14 комплекта
- Програма за съпоставимост: **Есо**
- Настройка на подобрителя на изплакването: L4
- Референтен почистващ препарат: 22 г почистващ препарат в дозатора във вътрешната част.
- Положение на U-рафт с регулируема височина: Средно
- Тип филтър: ръчен

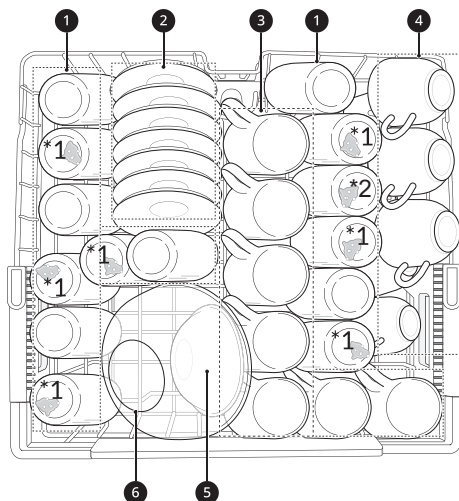
Зареждане на съдовете

Кошница за прибори



- 1 Чаени лъжици (без замърсяване)
- 2 Десертни лъжици (без замърсяване)
- 3 Вилица за сервиране (без замърсяване)
- 4 Вилици (яйце)
- 5 Черпак (без замърсяване)
- 6 Лъжици за сервиране (без замърсяване)
- 7 Супени лъжици (овесени ядки)
 - Всяка втора супена лъжица е замърсена.
- 8 Ножове (без замърсяване)

Горен рафт



1 Чаши (мляко)

*1 Има 7 чаши, с петна от мляко.

*2 Чаша от мляко за EN60704-2-3: 2020

2 Чинийки (черен чай)

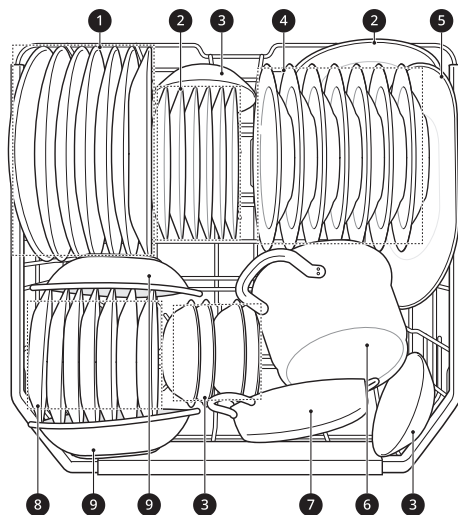
3 Чаши (черен чай)

4 Чаени чаши (черен чай)

5 Десертна купа (овесени ядки)

6 Стъклена купа (месо)

Долен рафт



1 Чинии за ястия (яйце)

2 Десертни чинии от меламин (яйца)

3 Десертни купи (овесени ядки)

4 Чинии за супа (овесени ядки)

5 Овална чиния (месо)

6 Малък съд (спанак + маргарин)

7 Съд за фурна (месо)

8 Десертни чинии (спанак)

9 Меламинови купи (маргарин)

Зареждане на съдомиялната машина

За ефективни резултати от измиването, винаги спазвайте инструкциите.

- Отстранявайте големите частици на отпадъците от храна от чиниите, включително кости, преди зареждане. Винаги изплаквайте чиниите, когато зареждате, ако няма да ги миете веднага.
- Съдовете със загоряла храна трябва да се накуснат, преди да ги заредите в съдомиялната машина.

- Съдовете с дълбоки дъна трябва да се поставят с дъното нагоре.
- Пластмасовите съдове няма да се подсушат така добре, както другите съдове.
- Погрижете се съдовете да не се допират един до друг.



Продукти, които не са подходящи за съдомиялни машини

Комбинацията от висока температура на водата и препарати за съдомиялна машина може да повреди някои продукти. Не мийте в съдомиялната долуизброените продукти.

- Медни или от анодиран алуминий
- Ръчно рисувани, сребърни или позлатени съдове
- Прибори с дървени или костни дръжки
- Железни или прибори, които не са ръждоустойчиви
- Пластмасови артикули, за които не е безопасно миенето в уреда
- Скъпа посуда като сребърни и чинии с позлата
- Чупливи артикули като например кристални чаши

⚠ ВНИМАНИЕ

- Не поставяйте тигани или тенджери с пластмасови дръжки в уреда, тъй като дръжките може да се повредят поради топлината или препаратата за миене.
- Петната от водоустойчиви или дълготрайни червила върху чашите може да не се премахнат по време на измиването.

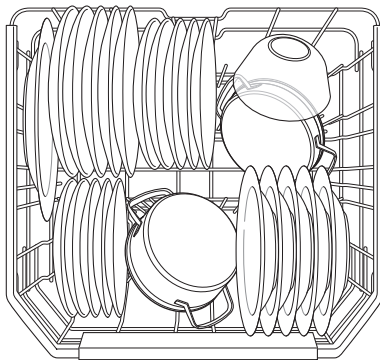
Зареждане на долния рафт

Зареждане за ежедневна употреба

Долният рафт е подходящ за чинии за ястия, супени чинии, блюда, тигани, тенджери, капаци и дори тава на грил.

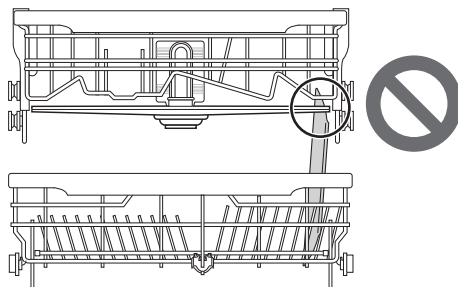
Чиниите трябва да се поставят изправени и с лице към центъра на рафта, а тиганите, тенджерите и големите блюда да са обърнати с лице надолу.

За по-лесно зареждане на по-големите чинии, предният ред зъбци може да се сгъне.



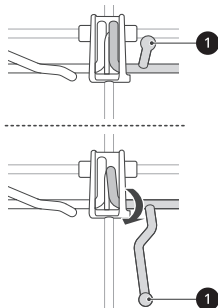
⚠ ВНИМАНИЕ

- Впръскващите рамена не трябва да бъдат блокирани от предмети, които са прекалено високи или висят през кошниците. Направете проверка за свободно движение, като завъртите с ръка впръскващите рамена.



Сгъване на зъбците на рафта

Сгънете зъбците надолу, за да поместите по-големите чинии; издърпайте зъбците отново на мястото им, за да поставите по-малки чинии.

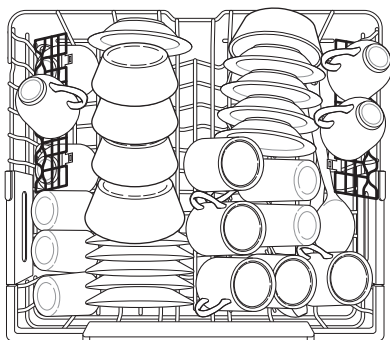


Зареждане на горния рафт

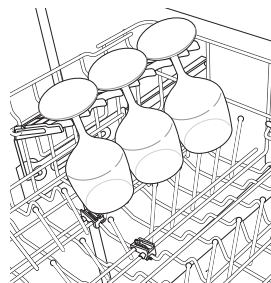
Зареждане за ежедневна употреба

Горният рафт е подходящ за деликатни артикули като малки чинии, дълги прибори, чаши за чай и кафе, стъклени чаши и пластмасови артикули, които могат безопасно да се мият в съдомиялната.

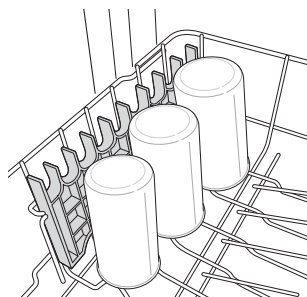
Чашите за чай и кафе, стъклените чаши и купите трябва да се поставят обърнати надолу. Чиниите трябва да се поставят с лицевата част нагоре.



Рафтовете за чаши за чай и кафе предоставят опора за стъклени чаши с дълги столчета.

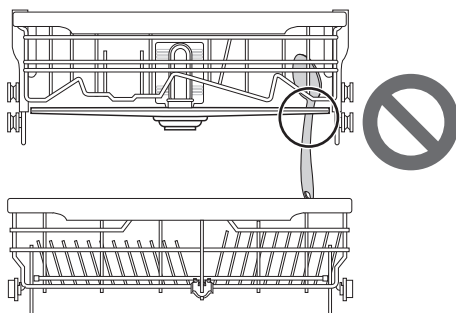


Лявата редица зъбци може да се сгъне надолу или рафтовете за чаши за кафе и чай да се сгънат нагоре, за да не пречат на високите артикули.



⚠ ВНИМАНИЕ

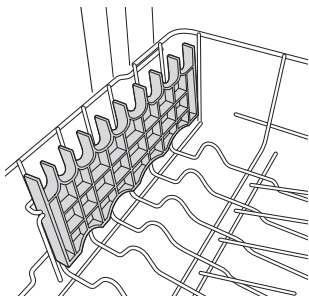
- Впръскващите рамена не трябва да бъдат блокирани от предмети, които са прекалено високи или висят през кошниците. Направете проверка за свободно движение, като завъртите с ръка впръскващите рамена.



Сваляне и смяна на рафтовете за чаши

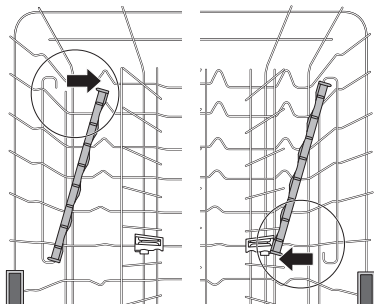
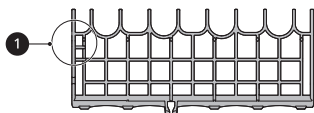
Левият и десният рафтове за чаши са взаимозаменяеми и могат да се свалят.

- 1 Плъзнете рафта за чашите надолу в най-затвореното му положение.

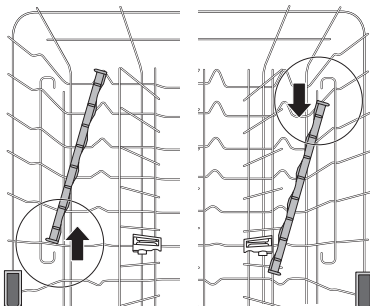


- 2 Намерете прореза за сглобяване ❶ на рафта за чаши и силно издърпайте рафта от поддържащата конзола от тази страна.

- Рафтът отляво се освобождава в задната част. Рафтът отдясно се освобождава в предната част.



- 3 Плъзнете, за да освободите рафта за чаши от противоположната страна.

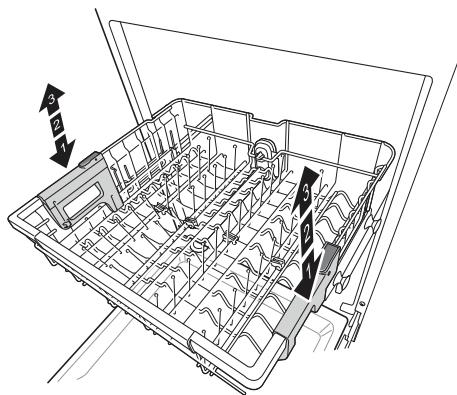


- 4 За да поставите обратно рафта за чаши, изпълнете инструкциите в обратен ред.

Горен рафт с регулируема височина

Височината на горния рафт може да се регулира, когато зареждате чаши с високи столчета или високи порцеланови съдове.

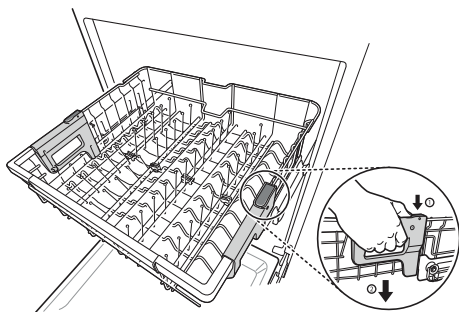
Има три налични позиции за регулиране на височината на горния рафт, така че да се създаде повече място.



Смъкване на рафта

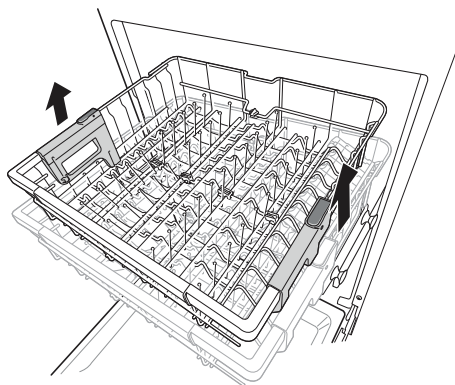
Придържайте рафта в средата от двете страни, за да крепите тежестта му. След това натиснете

бутона от всяка страна, за да го освободите и да го смъкнете в долно положение.



Повдигане на рафта

Повдигнете рафта в средата от двете страни, докато се намести в горно положение. Не е необходимо да повдигате блокиращите лостове, за да повдигнете рафта.



Възможен размер на чиниите в зависимост от положението на горния рафт

Положение на горния рафт	Размер на чинията (мм)		
	Горен рафт		Долен рафт
	с рафт за прибори	без рафт за прибори	
Горно	165	215	300
Средно	193	243	272

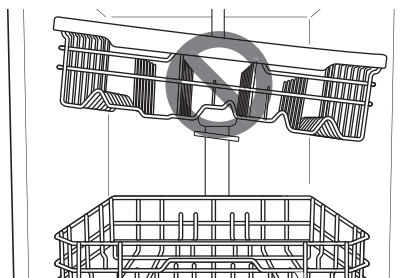
Положение на горния рафт	Размер на чинията (мм)		
	Горен рафт		Долен рафт
	с рафт за прибори	без рафт за прибори	
Сваляне	221	271	244

⚠ ПРЕДУПРЕЖДЕНИЕ

- Преди да регулирате се уверете, че на рафта няма никакви съдове. В противен случай те може да бъдат повредени или вие може да се нараните.

ЗАБЕЛЕЖКА

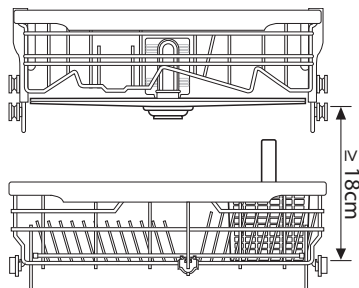
- Повдигнете горния рафт, без да натискате бутоните от двете страни. Ако бутоните са натиснати, докато повдигате рафта, той няма да застане на мястото си.
- За да поставите рафта в средно положение, може да е по-лесно да го смъкнете чак до долу и след това да го повдигнете поотделно от всяка страна, докато застане на мястото си.



- Когато горният рафт се премести в долно положение, височината се увеличава с 56 мм.
- След като регулирате нивото на рафта, проверете дали впръскващите рамена се въртят свободно.
- Когато горният рафт е в долно положение, проверете дали долната му част, включително впръскващото рамо, не засяга съдовете на долния рафт.
- Когато горният рафт е в долно положение, най-напред вкарайте него, а след това и долния рафт

- Изтеглете първо долния рафт, а след това горния.
- Когато горният рафт е в долно положение, възможната височина на съдовете е различна според модела, когато е поставен рафта за прибори.

- Приборите не трябва да са по-дълги от 18 см.

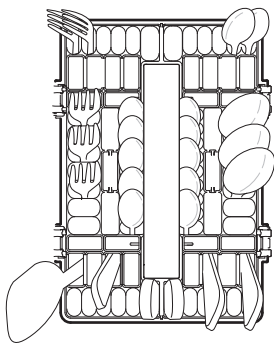


Зареждане на кошницата за прибори

Зареждане за ежедневна употреба

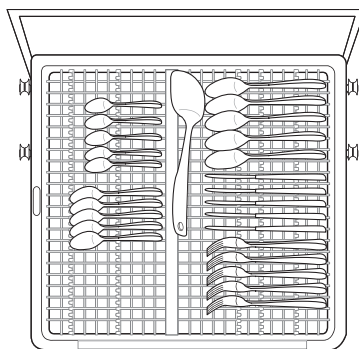
За големи прибори, като например тел за разбиване на яйца, капакът може да се отвори като се извади от пантите.

Поставяйте вилиците и лъжиците в кошницата за прибори с дръжките надолу.



Зареждане на рафта за прибори

Рафтът за прибори е най-подходящ за плоски съдове и за повечето прибори за готвене и сервиране. В него може да се поставят също и малки купички и капачета. Разделителите на рафта за прибори помагат те да се поддържат разделени, за да се избегне увреждане и за добро почистване.

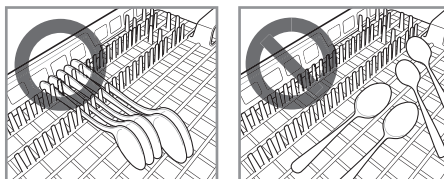


⚠ ПРЕДУПРЕЖДЕНИЕ

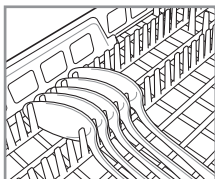
- За да се предотвратят наранявания, поставяйте ножове и други прибори с остриета в кошницата за прибори.
- Ако искате да ги заредите в кошницата за прибори, поставяйте ги с острите ръбове надолу.

⚠ ВНИМАНИЕ

- Не запречвайте въртенето на впръскващите рамена.

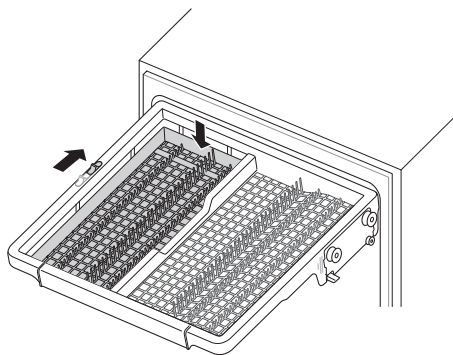


Ако дръжките на приборите ви са прекалено дебели, обърнете ги така, че дръжките да сочат в другата посока.



Поставка, която може да се регулира по височина

Поставката от лявата страна може да се регулира в горно или долно положение според различните размери прибори. Преди да регулирате, извадете съдовете. Регулирайте я, като плъзгате лоста.



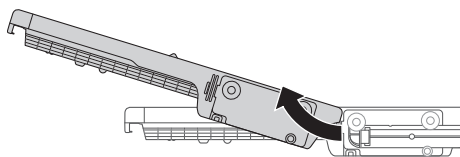
Сваляне на рафта за прибори

Целият рафт за прибори може да се извади, ако е необходимо повече място на горния рафт за по-големи съдове.

Винаги преди да извадите рафта, махнете приборите от него.

Издърпайте рафта до края на релсите. След това повдигнете предната му част така, че ролките да освободят ограничителя в края на релсата.

Сега рафтът може да се плъзне напред и да се извади от релсите.



⚠ ПРЕДУПРЕЖДЕНИЕ

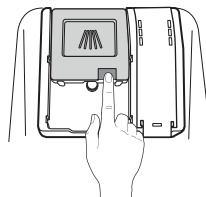
- Внимавайте, когато зареждате или изваждате предмети с остри ръбове. За да намалите риска от нараняване, поставяйте острите ножове с острието надолу.

Добавяне на почистващи средства

Добавяне на измиващ препарат в диспенсера

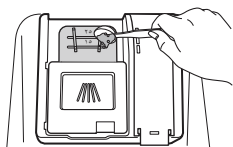
- Преди да включите уреда за първи път, махнете етикета на диспенсера.
- Необходимото количество измиващ препарат зависи от цикъла, зареденото количество съдове и степента на замърсяване на съдовете.
- Поставете измиващ препарат в отделението за него преди започване на всеки цикъл, с изключение на цикъла **Rinse (Изплакване)**.

- 1 Натиснете бутона на капака на диспенсера, за да го отворите.

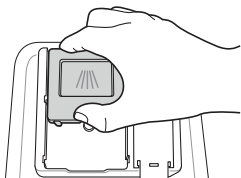


- 2 Добавете препарат за миене на съдове в главното отделение за миене, докато нивото му стигне между линиите означени с 15 и 25.

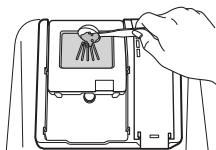
- Напълнете до линия 25 за твърда вода или силно замърсени съдове.
- Напълнете до линия 15 за мека вода или леко замърсени съдове.



- 3** Натиснете капачката за измиващия препарат, докато се затвори и щракне.



- 4** Ако желаете предварително измиване, напълнете с препарат за измиване вдлъбнатата част на капачката с препарат.



Програма	Количество препарат за миене
	Основно измиване (диспенсер)
Auto (Автоматично)	20 g
Intensive (Интензивно)	20 g
Delicate (Деликатни)	20 g
Refresh (Опресняване)	-
Eco	22 g
Turbo (Турбо)	20 g

Програма	Количество препарат за миене
	Основно измиване (диспенсер)
Download Cycle (Изтегляне на цикъл)	20 g
Machine Clean (Почистване на машината)	20 g
Rinse (Изплакване)	-
Express (Експресно)	20 g

⚠ ПРЕДУПРЕЖДЕНИЕ

- Препаратите за съдомиялна и подобрителят на изплакването съдържат химически компоненти, както всички други домакински препарати. Затова, те трябва да се пазят извън обсега на деца.

⚠ ВНИМАНИЕ

- Използвайте само препарат, предназначен за съдомиялни. Неподходящи препарати могат да доведат до напълване с пяна по време на работа. Излишната пяна може да влоши резултатите от измиването и да причини теч от уреда.
- За да избегнете повреда на уреда, не издърпвайте диспенсера, за да затворите вратата на уреда.



- Използването на неподходящ измиващ препарат и подобрител на изплакването може да доведе до риск от повреда, корозия, лоши резултати от измиването, недобро сушене или теч.

⚠ ВНИМАНИЕ

- Използвайте само измиващ препарат и подобрител на изплакването, които са одобрени със стандарт. Използването на неodobрен измиващ препарат и подобрител на изплакването може да представляват риск от повреда, корозия, лоши резултати от измиването, недобро сушене или теч.
- Ако се използва твърде много почистващ препарат, може да се образува твърде много пяна. Това може да причини изтичане на пяна и да се образуват петна върху съдовете в съдомиялната машина.

ЗАБЕЛЕЖКА

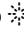
- Твърде много измиващ препарат може да остави слой върху съдовете и във ваната, което да доведе до лоши резултати от измиването.
- След измиване, проверете дали измиващият препарат е изцяло отмит.
- Някои таблетки за съдомиялни могат да останат заклещени в диспенсера поради прекомерната им големина. Таблетките могат да се поставят върху основата на миялната вана до филтъра преди започване на цикъла.
- Никога не използвайте течен препарат за миене на съдове в уреда.
- Не се препоръчва използване на таблетки за миене при използване на цикъл **Express (Експресно)**. Ако се използват таблетки за миене, това може да причини утайка от препаратата по съдовете поради относително ниските температури на изплакване.

Презареждане


За да запазите ефективните резултати от сушенето, проверявайте и презареждайте редовно подобрител на изплакването.

За да запазите ефективните резултати от измиването, проверявайте и презареждайте редовно сол в съдомиялната.

Проверка на подобрителя на изплакването

Когато иконата за презареждане на подобрител на изплакването  светне, това означава, че отделението за подобрител на изплакването е почти празно. Ако е необходимо, презаредете отделението с подобрител на изплакването.

Проверка на солта на съдомиялната

След като презаредите солите за съдомиялна, следва да пуснете програма, без да поставяте съдове, тъй като всяка разпиляна сол във вътрешността на уреда може да причини ръжда или повреда на уреда, ако се остави неотмита. Когато иконата за презареждане на сол  светне, това означава, че отделението за сол е почти празно. Ако е необходимо, презаредете отделението със сол.

⚠ ВНИМАНИЕ

- Не добавяйте измиващ препарат или друг разтвор в корпуса за омекотител на водата, освен соли за съдомиялната. В противен случай това може да доведе до неизправност на системата за омекотяване на водата.

Полезни съвети

Сушене

- Пластмасовите съдове може да доведат до лоши резултати от сушенето, в сравнение с другите съдове.
- За да се подпомогне сушенето, вратата може да се отвори за кратък период от време след цикъла.

ЗАБЕЛЕЖКА

- Погрижете се съдовете да не се допират един до друг.
- Ако качеството на сушенето не е добро или остават петна от вода, добавете опцията

Extra Dry (Много сухи) или настройте нивото на изплакване.

- Когато използвате измиващ препарат на таблетки (2 в 1, 3 в 1), може да е необходимо допълнително изплакване, в зависимост от обема на съдовете, в този случай използвайте опцията **Extra Dry (Много сухи)** или задайте нивото на изплакване.

Изпразване на съдомиялната

- Преди да извадите съдовете, проверете дали са се охладили до подходяща за ръцете ви температура.
- Изпразнете първо долния рафт, а после и горния. Така ще се избегне прокапване на вода от горния рафт върху съдовете отдолу.

ПРЕДУПРЕЖДЕНИЕ

- Не издърпвайте всичките рафтове със съдове наведнъж, уредът може да се преобърне. Изпразвайте рафтовете един по един.

ИНТЕЛИГЕНТНИ ФУНКЦИИ

Приложение LG ThinQ

Приложението **LG ThinQ** позволява да комуникирате с уреда посредством смартфон.

Характеристики на приложението на LG ThinQ

Комуникирайте с уреда от смартфон, като използвате удобните смарт функции.

Мониторинг

Тази функция проверява текущото състояние, цикъл, времето на работа на опциите и крайното време на цикъла за приложението на един екран.

Download Cycle (Изтегляне на цикъл)

Можете да изтеглите нови и специални цикли, които не са включени в основните цикли на уреда.

Уредите, които са успешно регистрирани, могат да изтеглят разнообразни специални цикли за определеното устройство.

На уреда може да се съхранява само един цикъл в едно и също време.

След като изтеглянето на цикъла в уреда приключи, уредът го пази, докато бъде изтеглен нов цикъл.

Напомняне за почистване на машината

Тази функция показва колко цикъла остават, преди да е необходимо да се пусне цикълът **Machine Clean (Почистване на машината)**.

Smart Diagnosis

Тази функция предоставя полезна информация за диагностициране и разрешаване на проблеми с уреда въз основа на модела на използване.

Настройки

Дава ви възможност за задаване на различни опции в уреда и в приложението.

Автоматични известия

Когато цикълът завърши или уредът има проблеми, имате опцията да получавате аварийни известия на смартфона си.

Известията се задействат дори ако приложението **LG ThinQ** е изключено.

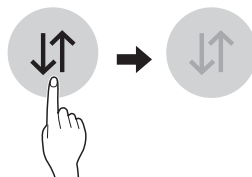
ЗАБЕЛЕЖКА

- Ако смените вашия безжичен рутер, доставчика на интернет услуги, или паролата, изтрийте регистрирания уред от приложението **LG ThinQ** и го регистрирайте отново.
- Приложението е предмет на промени с цел подобряване на уреда, без предварително уведомяване на потребителите.
- Функциите може да са различни при различните модели.

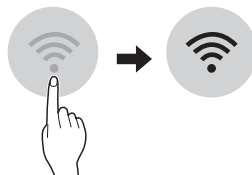
Преди да използвате приложението LG ThinQ

- 1 Проверете разстоянието между уреда и безжичния рутер (Wi-Fi мрежа).
 - Ако разстоянието между уреда и безжичния рутер е твърде голямо, силата на сигнала отслабва. Може да отнеме много време за регистрация или инсталацията да е неуспешна.


- 2 Изключете **мобилните данни** или **клетъчните данни** на смартфона си.



- 3 Свържете телефона си с безжичния рутер.



ЗАБЕЛЕЖКА

- За да проверите Wi-Fi връзката, вижте дали иконката  на контролния панел свети.
- Уредът поддържа само 2,4 GHz Wi-Fi мрежи. За да проверите честотата на мрежата Ви, се свържете с Вашия доставчик на интернет или проверете в ръководството за експлоатация на безжичния рутер.
- **LG ThinQ** не носи отговорност за проблеми в свързаността или за повреди, неизправности или грешки, причинени от мрежовата връзка.
- Ако уредът изпитва трудности при осъществяването на връзка с Wi-Fi мрежата, може би е твърде далече от рутера. Купете Wi-Fi повторител (усилвател на обхвата), за да подобрите силата на Wi-Fi сигнала.
- Wi-Fi връзката може да не се осъществи или да бъде прекъсвана поради средата, в която е домашната мрежа.
- Мрежовата връзка може да не работи правилно поради доставчика на интернет.
- Обкръжаващата безжична среда може да причини забавяне в безжичната мрежа.
- Уредът не може да бъде регистриран поради проблеми с предаването на безжичния сигнал. Изключете захранването на уреда и изчакайте около една минута, преди да пробвате отново.
- Ако защитната стена на Вашия безжичен рутер е включена, деактивирайте я или добавете изключение към нея.
- Името на безжичната мрежа (SSID) трябва да бъде комбинация от цифри и английски букви. (Не използвайте специални символи.)
- Потребителският интерфейс (UI) на смартфона може да е различен в зависимост от мобилната операционна система (OS) и производителя.
- Ако протоколът за защита на рутера е настроен на **WEP**, е възможно да не можете да настроите мрежата. Моля, променете настройката на друг протокол за защита (препоръчва се **WPA2**) и регистрирайте продукта отново.

Инсталиране на приложението LG ThinQ

Потърсете приложението **LG ThinQ** от Google Play & Apple App Магазин на Вашия смартфон. Следвайте инструкциите, за да изтеглите и инсталирате приложението.

Деактивиране на мрежовата връзка

На вашия смартфон прекъснете връзката с домашната си Wi-Fi мрежа.

- 1 Стартирайте приложението **LG ThinQ**.
- 2 Изберете и докоснете **Съдомиялната машина** в приложението.
- 3 Изберете и докоснете **Изтриване на продукта** в менюто с настройки, за да го изключите.

Спецификации на безжичния LAN модул

Модел	LCW-003
Обхват на честотата	2412 до 2472 MHz
Мощност (макс.)	IEEE 802.11b: 18.37 dBm IEEE 802.11g: 17.67 dBm IEEE 802.11n: 17.67 dBm

Безжична функция S/W версия : V 1.0

С оглед безопасността на потребителя, това устройство трябва да бъде инсталирано и управлявано от минимално разстояние 20 см между него и тялото.

Декларация за съответствие



С настоящото LG Electronics декларира, че радиооборудването тип „съдомиялна машина“ съответства на Директива 2014/53/ЕС. Пълният текст на декларацията на ЕС за съответствие е достъпен на следния интернет адрес:

<http://www.lg.com/global/support/cedoc/cedoc#>
LG Electronics European Shared Service Centre B.V.
Krijgsman 1, 1186 DM Amstelveen, Холандия

Информация за софтуер с отворен код

За да получите изходния код съгласно GPL, LGPL, MPL и други лицензи с отворен код, съдържащи се в този продукт, посетете уеб сайта <http://opensource.lge.com>.

В допълнение към изходния код можете да изтеглите и всички споменати лицензионни условия, откази от гаранции и известия във връзка с авторски права.

LG Electronics също ще Ви предостави отворен изходен код на CD-ROM срещу заплащане, покриващо разходите за извършване на такава дистрибуция (като например цената на носителите, разходите по транспорта), след като получите поръчка за това по имейл на адрес: opensource@lge.com. Тази оферта е валидна за период от три години след последната ни доставка на този продукт. Тази оферта е валидна за всеки, получил тази информация.

Smart Diagnosis

Тази характеристика е налична само в модели с логото или .

Използвайте тази функция, за да диагностицирате и разрешите проблеми с вашия уред.

ЗАБЕЛЕЖКА

- По причини, които не се дължат на пропуски на LGE, услугата може да не е активна поради външни фактори, като например, но не само,

неналичност на Wi-Fi, прекъсната връзка с Wi-Fi, местна политика на app store, или неналичност на приложението.

- Характеристиката може да подлежи на промяна без предварително уведомление и може да има различна форма в зависимост от местонахождението ви.

Използване на LG ThinQ за диагностициране на проблеми

Ако възникне проблем с вашия снабден с Wi-Fi уред, той може да предаде данни за откриване и отстраняване на проблема към смартфон посредством приложението **LG ThinQ**.

- Стартирайте приложението **LG ThinQ** и изберете характеристиката **Smart Diagnosis** в менюто. Следвайте инструкциите, предоставени в приложението **LG ThinQ**.

Използване на Audible Diagnosis за диагностициране на проблеми

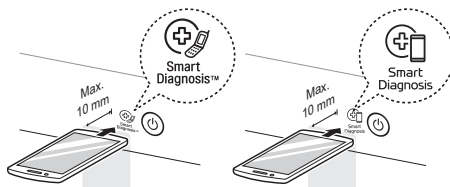
Следвайте инструкциите по-долу, за да използвате метода на слухова диагноза.

- Стартирайте приложението **LG ThinQ** и изберете характеристиката **Smart Diagnosis** в менюто. Следвайте инструкциите за звукова диагностика, предоставени в приложението **LG ThinQ**.

- Натиснете бутон **Електрозахранване**, за да включите уреда.

- Не натискайте други бутони.

- Поставете мундшука на смартфона си близо до логото или .



- 3** Натиснете и задръжте бутона **Download Cycle (Изтегляне на цикъл)** за 3 секунди или по-дълго, като същевременно държите мундщука на смартфона си към логото, докато завърши предаването на данни.
- Дръжте смартфона по този начин, докато не приключи предаването на данни. Дисплеят показва оставащото време за предаването на данни.

- 4** След като завърши предаването на данните, диагнозата ще се покаже в приложението.

ЗАБЕЛЕЖКА

- За най-добри резултати, не движете телефона докато тоновете се предадат.

Сервиз и обслужване на клиенти

Свържете се с информационен център за клиенти на LG Electronics.

- За да намерите упълномощен сервизен персонал на LG Electronics, посетете нашия уеб сайт на **www.lg.com** и следвайте инструкциите там.
- Не се препоръчва самостоятелно поправяне, тъй като това може допълнително да повреди устройството и да направи гаранцията невалидна.
- Резервните части, посочени в Регламент 2019/2022, се предлагат за минимална продължителност от 7 години.

ПОДДРЪЖКА

За да поддържате добра ефективност и да предотвратите проблеми, проверявайте редовно външната и вътрешната част на уреда, включително филтрите и впръскващите рамена.

⚠ ПРЕДУПРЕЖДЕНИЕ

- Когато почиствате външната и вътрешната част на уреда, не използвайте разтвори на базата на разтворител, като например разреждатели или ацетон. Това може да причини пожар или експлозия.

ЗАБЕЛЕЖКА

- Пазете от прегриване от животни храняващия кабел или маркуча за водата.

Почистване и грижа

Почистване на външните части

В повечето случаи външните части на уреда могат да се почистват с мека влажна кърпа или гъба, после да се подсушат с мека кърпа. Ако външната част на уреда е от неръждаема стомана, използвайте почистващо средство за неръждаема стомана.

⚠ ВНИМАНИЕ

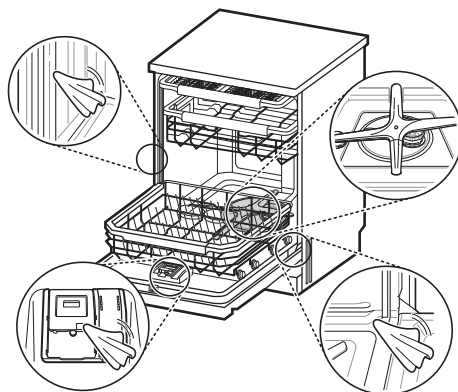
- Ако по външните части на продукта се разлее готварско олио, избършете го веднага. Не почиствайте външните части на продукта с почистващи средства, които съдържат алкохол, разреждатели, избелващи вещества, бензин, възпламеними течности или абразиви. Тези вещества могат да обезцветят или повредят уреда.

Почистване на вътрешните части

Препоръчва се вътрешната част, впръскващите рамена или филтрите да се почистват веднъж на всеки две седмици.

Почиствайте вътрешните части на уреда периодично с мека, влажна кърпа или с гъба за отстраняване на частици от храна и мръсотия.

В тесните пролуки в уреда могат да останат утайки от храна след завършване на измиването. Избършете всички остатъци.



ЗАБЕЛЕЖКА

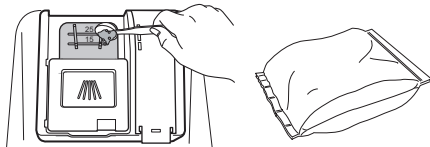
- Ако не сте използвали дълго време уреда, освежете вътрешността, като пуснете програма **Turbo (Турбо)** или програма **Machine Clean (Почистване на машината)** с препарат за миене. Когато цикълът завърши, почистете вътрешността и външните части на уреда според инструкциите за **ПОДДРЪЖКА**.

Почистване на ваната

Използване на цитрусова киселина

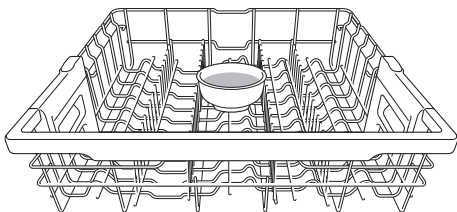
Извадете всички съдове, кошницата с прибори и държача ѝ от уреда. Във ваната трябва да останат само рафтовете. За най-добри

резултати, използвайте цитрусова киселина на прах (може да се намери в отделите за консерви на повечето супермаркети или онлайн). Измерете 3 супени лъжици (45 г) цитрусова киселина на прах. Напълнете главното миялно отделение с измерения прах.



Използване на бял оцет

Ако не можете да намерите цитрусова киселина на прах, налейте приблизително 3/4 - 1 1/4 чашки (200 - 300 мл) бял оцет в плитка купа и я поставете на горния рафт. Пуснете автоматичен **Auto (Автоматично)** цикъл. Не използвайте измиващ препарат. Когато цикълът завърши, рестартирайте.



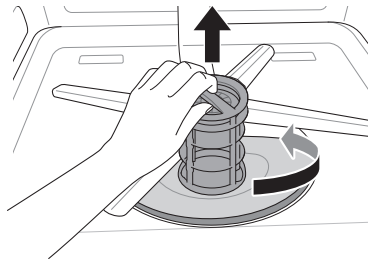
⚠ ВНИМАНИЕ

- Не наливайте оцет директно в основата.
- Прекаленото използване на оцет може да причини повреда на уреда.

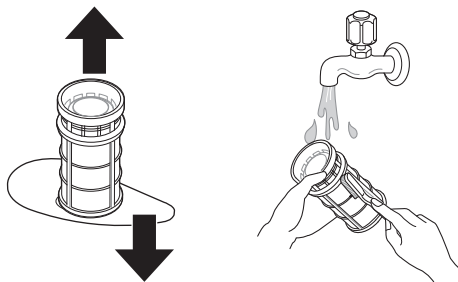
Почистване на филтрите

- 1 Извадете долния рафт и поставете долното впръскващо рамо така, че отпред да се отвори по-широкият ъгъл.
- 2 Завъртете вътрешния филтър в посока обратна на часовниковата стрелка и

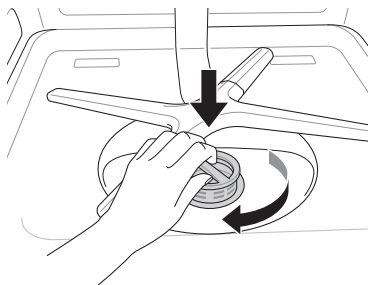
извадете сглобката на вътрешния филтър и филтъра от неръждаема стомана.



- 3 Почистете филтрите с мека четка под течаща вода. Сглобете наново филтрите преди да ги поставите обратно на мястото им.



- 4 За да поставите сглобените филтри, позиционирайте впръскващото рамо, така че по-широкият ъгъл да сочи напред. Поставете филтрите в държача и ги закрепете, като завъртите вътрешния филтър в посока на часовниковата стрелка, докато щракне на място.



⚠ ПРЕДУПРЕЖДЕНИЕ

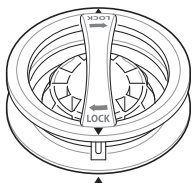
- Внимавайте за остри ръбове, когато боравите с филтъра от неръждаема стомана.

⚠ ВНИМАНИЕ

- След като използвате уреда, частиците от храна се филтрират от филтрите. Всякакви неотстранени остатъци от храна могат да причинят лоша миризма. Освен това, може да има проблем при отводняването поради захванати остатъци храна във филтрите.

ЗАБЕЛЕЖКА

- Когато сглобявате, завъртете здраво, докато щракне.



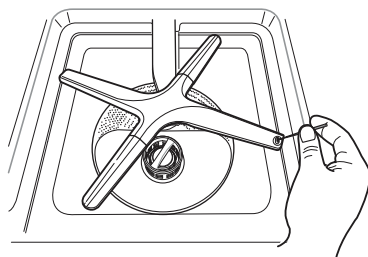
Почистване на впръскващите рамена

Ако отворите на впръскващите рамена са блокирани от остатъчна храна, съдовете може да не се почистят добре поради неправилно впръскване на вода.

Почистване на долното впръскващо рамо

- 1 Уверете се, че отворите за водната струя не са блокирани от частици храна.

- 2 Ако остатъци от храна блокират отворите на впръскващите рамена, отстранете ги с игла или остър инструмент.

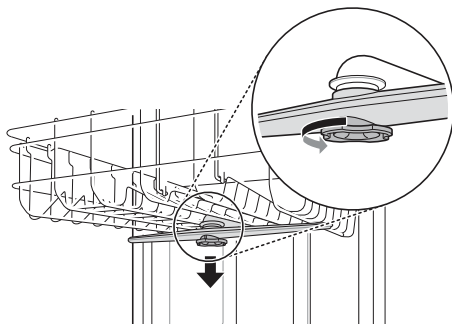


⚠ ВНИМАНИЕ

- За да избегнете счупване на крайните участъци с променлив ъгъл на впръскващите рамена, не ги дърпайте и не ги въртете ръчно.

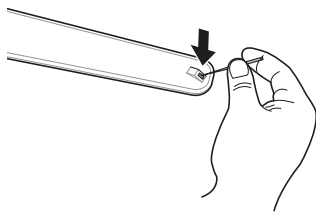
Почистване на горното впръскващо рамо

- 1 Издърпайте горния рафт напред. Уверете се, че отворите за водната струя не са блокирани от частици храна.
- 2 Когато е необходимо почистване, отстранете горното впръскващо рамо като завъртите гайката в дъното на впръскващото рамо 1/8 завъртане в посока обратна на часовниковата стрелка и дръпнете надолу.



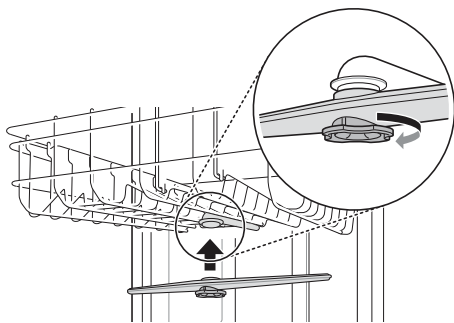
- 3 Отстранете частиците храна като изплакнете или разклатите впръскващото рамо.

- 4** Ако остатъци от храна блокират отворите на впръскващите рамена, отстранете ги с игла или остър инструмент.



- 5** След като отстраните остатъците храна, почистете отворите на впръскващите рамена под течаща вода.

- 6** След почистване на горното впръскващо рамо, притиснете го обратно на мястото му. Завъртете гайката 1/8 завъртане в посока на часовниковата стрелка, за да се уверите, че гайката се заключва на мястото си.

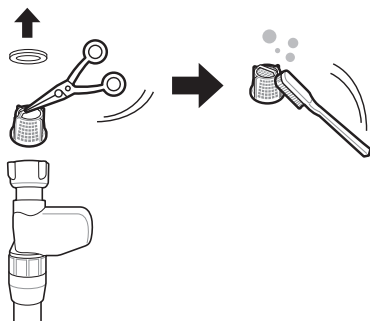


- 7** След сглобяване проверете дали впръскващите рамена се въртят свободно.

Почистване на филтъра на водоснабдяващия маркуч

- 1** Изключете уреда.
- 2** Завъртете кранчето за спиране на водата.
- 3** Отвинтете водоснабдяващия маркуч.

- 4** Свалете уплътнението и пластмасовия филтър с малки клещи или захващащи клещи.



- 5** Поставете отново филтъра и уплътнението и се уверете, че пасват правилно.

- 6** Поставете ново и закрепете водоснабдяващия маркуч в обратен ред. Не използвайте механични средства за затягане на маркуча. За улесняване на ръчното затягане може да използвате мека кърпа.

ЗАБЕЛЕЖКА

- Филтърът се поставя във входното отверстие на съединението на водоснабдяващия маркуч.
- Ако в уреда не тече достатъчно вода, проверете дали филтърът не е блокиран.
- Ако има теч, трябва да проверите дали е правилно съединен водоснабдяващият маркуч.
- Никога не презатягайте вентила за водата и не използвайте механични средства за затягането му.
- Когато сглобявате ново уплътнението и филтъра, уверете се, че по тях няма мръсотия или пясъчинки, които може да са попаднали от водоснабдяването.

Сезонна поддръжка и съхранение

- Ако ще отсъствате продължителен период от време през топлите месеци, затворете вентила за водата, издърпайте щепсела на захранващия кабел или изключете прекъсвача. Почистете филтъра, ваната и диспенсера, за да предотвратите миризми.
- Ако ще отсъствате за продължителен период от време през студените месеци и има вероятност от температури на замръзване, заземете водопроводите и самия уред. Зазимяването трябва да се извърши от квалифициран сервизен персонал.

ОТСТРАНЯВАНЕ НА НЕИЗПРАВНОСТИ

Преди да се обадите за сервис

Експлоатацията на уреда може да доведе до грешки и неизправности. Следните таблици съдържат възможните причини и бележки за решаване на съобщение за грешка или неизправност. Можете да поправите повечето проблеми сами и така да спестите време и пари, тъй като не е необходимо да се обадите в сервизния център на LG Electronics. Следната таблица трябва да Ви помогне при отстраняването на неизправностите.

Кодове за грешки

Уредът е оборудван със система за автоматично наблюдение на грешките за откриване и диагностициране на проблеми в ранен етап. Ако уредът не функционира правилно или изобщо не функционира, проверете следното, преди да се обадите в сервиза на LG Electronics.

Симптоми	Възможни „Причина и Решение“
IE	<p>Проблем с входа на водата.</p> <ul style="list-style-type: none"> Проверете за задръстен, прегънат или замръзнал водоснабдяващ маркуч. Проверете водоснабдяването.
OE	<p>Проблем с отводняването.</p> <ul style="list-style-type: none"> Проверете за задръстен, прегънат или замръзнал отводнителен маркуч.
	<p>Канелката за отходни води е задръстена.</p> <ul style="list-style-type: none"> Отстранете задръстването от канелката.
	<p>Филтрите са задръстени.</p> <ul style="list-style-type: none"> Почистете филтрите.
bE	<p>Прекомерно количество пяна, причинено от неправилен измиващ препарат, като например течен сапун за миене на съдове.</p> <ul style="list-style-type: none"> Не използвайте течности за миене на съдове на ръка. Използвайте само препарати, които са предназначени за употреба в автоматични съдомиялни. За да отстраните утайката от измиващ препарат във ваната, налейте приблизително 100-200 мл мляко в плитка купа, поставете я на горния рафт и после пуснете автоматичния цикъл Auto (Автоматично) на уреда.
	<p>Уредът не е нивелиран.</p> <ul style="list-style-type: none"> Погрижете се уредът да е правилно нивелиран.
HE	<p>Неизправност на веригата на нагревателя</p> <ul style="list-style-type: none"> Обадете се за сервизно обслужване, ако отново възникне същия проблем.

Симптоми	Възможни „Причина и Решение“
FE	<p>Подаване на прекомерно количество вода.</p> <ul style="list-style-type: none"> Обадете се за сервизно обслужване, ако отново възникне същия проблем.
RE	<p>Проблем с воден теч</p> <ul style="list-style-type: none"> Обадете се за сервизно обслужване, ако отново възникне същия проблем.
EE	<p>Неизправност на термистора</p> <ul style="list-style-type: none"> Обадете се за сервизно обслужване, ако отново възникне същия проблем.
LE	<p>Неизправност на мотора</p> <ul style="list-style-type: none"> Обадете се за сервизно обслужване, ако отново възникне същия проблем.
пE	<p>Неизправност на варио мотора</p> <ul style="list-style-type: none"> Обадете се за сервизно обслужване, ако отново възникне същия проблем.

Експлоатация

Симптоми	Възможни „Причина и Решение“
Шум	<p>Известно ниво на шум е нормално по време на работа.</p> <ul style="list-style-type: none"> Отваря се капака на измиващия препарат. Отводнителната помпа е в началото на отводнителния цикъл.
	<p>Уредът не е нивелиран.</p> <ul style="list-style-type: none"> Регулирайте нивелиращите крачета.
	<p>Рамото на изпускателната дюза се удря в съдовете.</p> <ul style="list-style-type: none"> Пренаредете съдовете.
	<p>Налягането на водата е твърде високо.</p> <ul style="list-style-type: none"> Регулирайте налягането на водата.

Симптоми	Възможни „Причина и Решение“
<p>Уредът не работи.</p>	<p>Вратата не е напълно затворена.</p> <ul style="list-style-type: none"> • Нивелирайте отново уреда.
	<p>Електрозахранването или кабелът не са свързани.</p> <ul style="list-style-type: none"> • Свържете електрозахранването или кабела правилно.
	<p>Когато функцията Control Lock (Заклучване на механизмите за управление) е активирана, кодът [L ще се покаже на дисплея.</p> <ul style="list-style-type: none"> • Деактивирайте бутона Control Lock (Заклучване на механизмите за управление). • Натиснете и задръжте Half Load (Половин зареждане) и Energy Saver (Енергоспестяващо) едновременно за 3 секунди, за да активирате или деактивирате тази функция.
	<p>Стопяемият предпазител е изгорял или прекъсвачът се е задействал.</p> <ul style="list-style-type: none"> • Сменете стопяемия предпазител или възстановете прекъсвача.
<p>Уредът постоянно издава звуков сигнал, когато вратата е отворена, по време на или веднага след завършване на цикъл.</p>	<p>Съдържанието на уреда е горещо и следва да се внимава, когато поставяте ръцете си в уреда.</p> <ul style="list-style-type: none"> • Затворете вратата, докато уредът и всички съдове се охладят. Звуковият сигнал ще спре, ако вратата е затворена или температурата на вътрешността се е охладила.
<p>Водата остава в зумпфа, след завършването на цикъла.</p>	<p>Маркучът за мръсна вода е прегънат или запушен.</p> <ul style="list-style-type: none"> • Регулирайте маркуча или отстранете блокажа.
	<p>Може да остане вода, ако електричеството спре преди нормално завършване на курса или е било ръчно прекъснато.</p> <ul style="list-style-type: none"> • Рестартирайте курса.
<p>Впръскващите рамена не се въртят плавно.</p>	<p>Отворите на впръскващите рамена са блокирани от частици храна.</p> <ul style="list-style-type: none"> • Почистете отворите на впръскващите рамена.
<p>Горният рафт е изкривен.</p>	<p>Рафтът е недобре поставен.</p> <ul style="list-style-type: none"> • Вижте раздел Горен рафт с регулируема височина.
<p>Лампите не светят.</p>	<p>Електрозахранването не е свързано.</p> <ul style="list-style-type: none"> • Свържете електрозахранването.
<p>В уреда има излишна пяна.</p>	<p>Неизползване на определения измиващ препарат.</p> <ul style="list-style-type: none"> • Използвайте определения измиващ препарат за уреда.
	<p>Прекомерно количество подобрител на изплакването може да причини пяна.</p> <ul style="list-style-type: none"> • Намалете нивото на дозиране на подобрителя на изплакването.

Симптоми	Възможни „Причина и Решение“
В диспенсера на измиващия препарат има останал препарат.	<p>Небалансиран горен рафт.</p> <ul style="list-style-type: none"> • Регулирайте лявата/дясната височина на горния рафт.
	<p>Препаратът може да не се освобождава поради лошото поддръждане на съдовете, което пречи на автоматичното отваряне на диспенсера на препарата.</p> <ul style="list-style-type: none"> • Подредете правилно съдовете и винаги изсушавайте диспенсера преди да добавите нов измиващ препарат, за да не се слепва.
Теч на вода извън уреда.	<p>Вратата може да не се затвори поради накланяне на уреда. В този случай може да се появи теч на вода.</p> <ul style="list-style-type: none"> • Проверете нивелирането като регулирате крачето.
	<p>Неправилното монтиране на отводнителния маркуч може да причини воден теч.</p> <ul style="list-style-type: none"> • Проверете свързващата част на отводнителния маркуч.
	<p>Ако електрозахранването е изключено, воден теч може да се предизвика от недобро свързване към кранчето.</p> <ul style="list-style-type: none"> • Проверете свързващия водоснабдяващ маркуч.

Технически показатели

Симптоми	Възможни „Причина и Решение“
Мътни петна по стъклени изделия	<p>Комбинация от излишен препарат за миене и твърда вода</p> <ul style="list-style-type: none"> • Използвайте по-малко препарат за миене и използвайте подобрител на изплакването, за да сведете до минимум проблема. • Проверете настройката на системата за омекотяване.
Черни или сиви петна по съдовете	<p>По време на цикъла алуминиевите изделия се търкат в съдовете</p> <ul style="list-style-type: none"> • Пренаредете съдовете.
Жълт или кафяв слой по вътрешността на уреда	<p>Петна от чай или кафе</p> <ul style="list-style-type: none"> • Отстранете петното като използвате продукт за отстраняване на петна.
Във вътрешността на съдомиялната остава жълта вода.	<p>Когато използвате уреда първоначално, в резервоара за омекотителя на водата може да се образува жълта вода.</p> <ul style="list-style-type: none"> • Това е нормално състояние и е безвредно за хората. Изчезва след 1 до 3 цикъла.

Симптоми	Възможни „Причина и Решение“
<p>Петна и наслояване по съдовете</p>	<p>Неправилно количество на използвания измиващ препарат</p> <ul style="list-style-type: none"> Използвайте препоръчаното количество измиващ препарат.
	<p>Претоварване</p> <ul style="list-style-type: none"> Не претоварвайте уреда.
	<p>Неправилно зареждане</p> <ul style="list-style-type: none"> Вижте раздел ЕКСПЛОАТАЦИЯ.
	<p>Недостатъчно налягане на водата</p> <ul style="list-style-type: none"> Налягането на водата следва да е между 0,05 - 0,6 МРа.
	<p>Недостатъчно препарат за миене</p> <ul style="list-style-type: none"> Добавете препоръчаното количество измиващ препарат. Вижте раздел ЕКСПЛОАТАЦИЯ.
	<p>Диспенсерът на подобрителя на изплакването е празен.</p> <ul style="list-style-type: none"> Презаредете подобрител на изплакването в диспенсера.
	<p>Омекотителят за вода няма соли или е с недостатъчно соли.</p> <ul style="list-style-type: none"> Проверете дали солта е в омекотителя за водата.
	<p>Нивото на твърдост на водата може да е зададено твърде ниско.</p> <ul style="list-style-type: none"> Увеличете стойността на настройката за ниво на твърдост.
	<p>Подобрителят на изплакването може да е в недостатъчно количество.</p> <ul style="list-style-type: none"> Презаредете с подобрител на изплакването или увеличете нивото на дозирането му.
	<p>Във ваната има наслагвания от твърда вода</p> <ul style="list-style-type: none"> Извадете всички съдове, кошницата с прибори и държача на кошницата от уреда. Във ваната трябва да останат само рафтовете. За най-добри резултати, използвайте цитрусова киселина на прах (може да се намери в отделите за консерви в повечето магазини за хранителни стоки или онлайн). Измерете 3 супени лъжици (45 г) цитрусова киселина на прах. Напълнете отделението за основно миене с измерения прах. Ако не можете да намерите цитрусова киселина на прах, налейте приблизително 3/4 - 1 1/4 чашки (200-300 мл) бял оцет в плитка купа и поставете на горния рафт. Пуснете автоматичния цикъл Auto (Автоматично). Не използвайте измиващ препарат. Когато цикълът завърши, пуснете го още веднъж.

Симптоми	Възможни „Причина и Решение“
Мирис	<p>Предишният цикъл е спрял преди да завърши и в уреда остава остатъчна вода.</p> <ul style="list-style-type: none"> Включете електрозахранването, пуснете опция на цикъл Cancel (Отмяна) за отстраняване на остатъчната вода, после пуснете Turbo (Турбо) цикъла като използвате препарат за миене, но при празен уред.
	<p>На дъното на уреда или във филтъра има храна.</p> <ul style="list-style-type: none"> Почистете филтъра и вътрешността според раздел ПОДДРЪЖКА от ръководството на потребителя.
	<p>В уреда са оставени за дълго време неизмити съдове.</p> <ul style="list-style-type: none"> Пуснете цикъл с една чашка бял оцет в стъклен съд или купа, които могат безопасно да се мият в съдомиялна, поставени на горния рафт. (Оцетът е киселина и при постоянно използване може да повреди вашия уред.)
По съдовете остава замърсяване от храна.	<p>Неправилен избор на цикъл</p> <ul style="list-style-type: none"> Изберете правилния цикъл въз основа на нивото на замърсяване на съдовете за миене.
	<p>Температурата на водата е твърде ниска.</p> <ul style="list-style-type: none"> Проверете свързването на водоснабдяването или настройката на водонагревателя.
	<p>Препаратът за миене на съдовете не е използван.</p> <ul style="list-style-type: none"> Използвайте препоръчания препарат.
	<p>Ниско налягане на входящата вода</p> <ul style="list-style-type: none"> Налягането на водата следва да е между 0,05 - 0,6 МРа.
	<p>Отворите за водната струя върху впръскващите рамена са блокирани.</p> <ul style="list-style-type: none"> Почистете впръскващите рамена.
	<p>Неправилно зареждане на съдовете.</p> <ul style="list-style-type: none"> Уверете се, че съдовете не блокират въртенето на впръскващите рамена или пречат на диспенсера на измиващ препарат.
	<p>Филтрите са задръстени.</p> <ul style="list-style-type: none"> Почистете филтрите.
	<p>Твърде много неотстранени хранителни остатъци по съдовете.</p> <ul style="list-style-type: none"> Големите частици остатъци от храна трябва да се премахнат от съдовете преди започване на измиването.

Сушене

Симптоми	Възможни „Причина и Решение“
Съдовете не съхнат.	<p>Диспенсерът на подобрителя на изплакването е празен.</p> <ul style="list-style-type: none"> Проверете и презаредете диспенсера на подобрителя на изплакването, ако е празен. За по-добри резултати при подсушаване, отворете леко вратата след работа с уреда.
	<p>Използваните таблетки може да нямат вграден подобрител на изплакването. Това ще намали ефективното изпълнение на сушенето.</p> <ul style="list-style-type: none"> Сменете с таблетка, която включва подобрител на изплакването (свържете се с производителя на таблетки, ако не сте сигурни). Или можете да използвате течен подобрител на изплакването в диспенсера, ако таблетките нямат вграден подобрител на изплакването.
	<p>Избран е цикъл без опция Extra Dry (Много сухи).</p> <ul style="list-style-type: none"> Изберете цикъл, който по подразбиране включва опция Extra Dry (Много сухи).

Wi-Fi

Симптоми	Възможни „Причина и Решение“
Вашият домашен уред и смартфон не са свързани към Wi-Fi мрежа.	<p>Паролата за Wi-Fi мрежата, към която се опитвате да се свържете, е неправилна.</p> <ul style="list-style-type: none"> Открийте Wi-Fi мрежата, свързана към Вашия смартфон, и я премахнете, след което регистрирайте уреда в LG ThinQ.
	<p>Мобилните данни на Вашия смартфон са включени.</p> <ul style="list-style-type: none"> Изключете Мобилните данни на Вашия смартфон и регистрирайте уреда, използвайки Wi-Fi мрежата.
	<p>Името на безжичната мрежа (SSID) е неправилно зададено.</p> <ul style="list-style-type: none"> Името на безжичната мрежа (SSID) трябва да бъде комбинация от цифри и английски букви. (Не използвайте специални символи.)
	<p>Честотата на рутера не е 2,4 GHz.</p> <ul style="list-style-type: none"> Поддържа се само честота на рутер 2,4 GHz. Настройте безжичния рутер на 2,4 GHz и свържете уреда към него. За да проверите честотата на рутера, свържете се с Вашия доставчик на интернет услуги или с производителя на рутера.
	<p>Разстоянието между уреда и рутера е твърде голямо.</p> <ul style="list-style-type: none"> Ако разстоянието между уреда и рутера е твърде голямо, сигналът може да е слаб и връзката може да не бъде правилно конфигурирана. Преместете рутера по-близо до уреда.

ПРИЛОЖЕНИЕ

Фиш на изделието

Делегиран регламент (ЕС) № 2019/2017 на Комисията

Име на доставчика или търговска марка: LG Electronics Inc

Адрес на доставчика*2: LG Electronics European Shared Service Centre B.V., Krijgsman 1, 1186 DM Amstelveen, Нидерландия

*1 За програмата „есо“.

*2 Промените в тези точки не се считат от значение за целите на член 4, параграф 4 от Регламент (ЕС) 2017/1369.

Идентификатор на модела: DF425***

Основни параметри на продукта:

Параметър	Стойност	Параметър	Стойност	
Обявен капацитет*1(PS)	14	Размери в см	Височина	85
			Широчина	60
			Дълбочина	60
Индекс за енергийна ефективност (EEI)*1	49,9	Клас на енергийна ефективност*1	D	
Индекс за ефективност на почистване*1	1,13	Индекс за ефективност на подсушаване*1	1,07	
Консумация на енергия в kWh [на цикъл] въз основа на програмата „есо“ при използване на студена вода. Реалната консумация на енергия ще зависи от начина, по който се използва уредът.	0,849	Консумация на вода в литри [на цикъл] въз основа на програмата „есо“. Реалната консумация на вода ще зависи от начина, по който се използва уредът и от твърдостта на водата.	9,5	
Времетраене на програмата*1(часове:минути)	3:13	Вид	самостоятелна	
Излъчван въздушен шум*1(dB(A) при нулево ниво 1 pW)	41	Клас на излъчван въздушен шум*1	B	
Режим „изключен“ (W)	0,49	Режим на готовност (W)	0,49	
Режим на отложен старт (W) (ако е приложимо)	3,99	Мрежови режим на готовност (W) (ако е приложимо)	1,99	
Минимален срок на гаранцията, предлагана от доставчика*2: 2 години				

Параметър	Стойност	Параметър	Стойност
Допълнителна информация: www.lg.com			

Идентификатор на модела: DF325***

Основни параметри на продукта:

Параметър	Стойност	Параметър	Стойност	
Обявен капацитет *1(PS)	14	Размери в см	Височина	85
			Широчина	60
			Дълбочина	60
Индекс за енергийна ефективност (EER) *1	55,9	Клас на енергийна ефективност *1	Е	
Индекс за ефективност на почистване *1	1,13	Индекс за ефективност на подсушаване *1	1,07	
Консумация на енергия в kWh [на цикъл] въз основа на програмата „есо“ при използване на студена вода. Реалната консумация на енергия ще зависи от начина, по който се използва уредът.	0,951	Консумация на вода в литри [на цикъл] въз основа на програмата „есо“. Реалната консумация на вода ще зависи от начина, по който се използва уредът и от твърдостта на водата.	9,5	
Времетраене на програмата *1(часове:минути)	3:48	Вид	самостоятелна	
Излъчван въздушен шум *1(dB(A) при нулево ниво 1 pW)	42	Клас на излъчван въздушен шум *1	В	
Режим „Изключен“ (W)	0,26	Режим на готовност (W)	0,26	
Режим на отложен старт (W) (ако е приложимо)	3,99	Мрежови режим на готовност (W) (ако е приложимо)	1,99	
Минимален срок на гаранцията, предлагана от доставчика *2: 2 години				
Допълнителна информация: www.lg.com				

Идентификатор на модела: DF325**

Основни параметри на продукта:

Параметър	Стойност	Параметър	Стойност	
Обявен капацитет *1(PS)	14	Размери в см	Височина	85
			Широчина	60
			Дълбочина	60
Индекс за енергийна ефективност (EER) *1	55,9	Клас на енергийна ефективност *1	E	
Индекс за ефективност на почистване *1	1,13	Индекс за ефективност на подсушаване *1	1,07	
Консумация на енергия в kWh [на цикъл] въз основа на програмата „есо“ при използване на студена вода. Реалната консумация на енергия ще зависи от начина, по който се използва уредът.	0,951	Консумация на вода в литри [на цикъл] въз основа на програмата „есо“. Реалната консумация на вода ще зависи от начина, по който се използва уредът и от твърдостта на водата.	9,5	
Времетраене на програмата *1(часове:минути)	3:48	Вид	самостоятелна	
Излъчван въздушен шум *1(dB(A) при нулево ниво 1 pW)	44	Клас на излъчван въздушен шум *1	B	
Режим „Изключен“ (W)	0,26	Режим на готовност (W)	0,26	
Режим на отложен старт (W) (ако е приложимо)	3,99	Мрежови режим на готовност (W) (ако е приложимо)	1,99	
Минимален срок на гаранцията, предлагана от доставчика *2: 2 години				
Допълнителна информация: www.lg.com				

Делегиран регламент (ЕС) № 1059/2010 на Комисията

Име на доставчика или търговска марка	LG			
Идентификатор на модела на доставчика	DF425***	DF325***	DF325**	
Номинален капацитет, със стандартен комплект, за стандартния цикъл на почистване	14			комплект а
Клас на енергийна ефективност	A+++	A++	A++	
Присъдена екомаркировка на ЕС съгласно с Регламент (ЕО) № 66/2010	Не			
Разход на енергия „X“ kWh на година, въз основа на 280 стандартни цикъла на почистване с използване на захранване със студена вода и разход на нискоенергийни режими. Действителният разход на енергия ще зависи от това как се използва уредът.	237	266	266	kWh/ година
Разходът на енергия (Et) на стандартния цикъл на почистване	0,83	0,944	0,944	kWh
Разходът на енергия в режим изкл.	0,49	0,26	0,26	W
Разходът на енергия в режим “оставена включена”	0,49	0,26	0,26	W
Разход на входа „X“ литра годишно, въз основа на 280 стандартни цикъла на почистване. Действителният разход на вода ще зависи от това как се използва уредът.	2700			литри/ година
Ефективност на сушене клас „X“ в мащаб от G (най-малко ефективен) до A (най-ефективен)	A			
“Есо” е стандартния цикъл на почистване, за който се отнася информацията на етикета и фиша, че тази програма е подходяща за почистване на нормално замърсени прибори и съдове за хранене, и че е най-ефективната програма по отношение на комбиниран разход на енергия и вода.				
Време на програмата за стандартния цикъл на почистване	193	228	228	минути
Времетраенето на режим “оставена включена” (TI)	1			минути
Излъчван въздушен шум	41	42	44	dB(A)
Самостоятелно стояща				

PŘÍRUČKA UŽIVATELE

MYČKA NÁDOBÍ



Před začátkem montáže si pečlivě přečtěte tyto pokyny. To montáž usnadní a zajistí, že je výrobek správně a bezpečně nainstalován. Po provedení montáže tyto pokyny ponechejte v blízkosti výrobku pro budoucí nahlédnutí.

ČEŠTINA

DF425*** / DF325*** / DF325**

OBSAH

Tato příručka může zahrnovat vyobrazení nebo obsah, které se liší od vámi zakoupeného typu.

Tato příručka podléhá revizím ze strany výrobce.

BEZPEČNOSTNÍ POKYNY

PŘED POUŽITÍM SI PŘEČTĚTE VŠECHNY POKYNY	4
VAROVÁNÍ	4
UPOZORNĚNÍ	9
PÉČE O ŽIVOTNÍ PROSTŘEDÍ	11

INSTALACE

Díly a specifikace	12
Příprava otvorů ve skříňce na myčku	14
Vyrovnaní spotřebiče	17
Instalace odtokové hadice	18
Příprava vodních a elektrických přípojek	19
Závěrečná kontrola instalace	20

OBSLUHA

Před použitím	22
Přehled návodu k obsluze	25
Ovládací panel	27
Cykly mytí	28
Možnosti a zvláštní funkce	29
Tabulka programů	32
Informace pro provedení zkoušky	39
Vkládání nádobí do myčky	40
Přidání čisticích prostředků	46
Doplňování	48
Užitečné rady	48

INTELIGENTNÍ FUNKCE

Aplikace LG ThinQ	49
Smart Diagnosis (Inteligentní diagnostika)	51

ÚDRŽBA

Čištění a péče	53
----------------------	----

ODSTRAŇOVÁNÍ ZÁVAD

Před volání servisu57

PŘÍLOHA

Produktový list.....64

BEZPEČNOSTNÍ POKYNY

PŘED POUŽITÍM SI PŘEČTĚTE VŠECHNY POKYNY

Následující bezpečnostní pokyny jsou určeny pro předcházení nepředvídaným nebezpečím, poškozením nebo nesprávné obsluze zařízení.

Pokyny jsou rozděleny na ‚VAROVÁNÍ‘ a ‚UPOZORNĚNÍ‘, viz podrobný popis níže.

Bezpečnostní hlášky



Tento symbol se zobrazuje, aby označil věci a činnosti, které mohou způsobit riziko.

Chcete-li se vyhnout riziku, pečlivě si přečtěte část označenou tímto symbolem a postupujte podle pokynů.



VAROVÁNÍ

Tento symbol označuje situace, kdy může mít nedodržení pokynů za následek závažné zranění nebo usmrcení osob.



UPOZORNĚNÍ

Tento symbol označuje situace, kdy může mít nedodržení pokynů za následek lehké zranění nebo poškození výrobku.

VAROVÁNÍ

VAROVÁNÍ

- Abyste při používání tohoto výrobku snížili riziko vzniku požáru, úmrtí, zasažení elektrickým proudem nebo zranění či popálení osob, dodržujte základní bezpečnostní opatření, včetně následujících:

Technická bezpečnost

- Toto zařízení není určeno pro používání osobami (včetně dětí) se sníženými fyzickými, sensorickými nebo mentálními schopnostmi

nebo nedostatečnými zkušenostmi a znalostmi bez přiměřeného dozoru nebo bez seznámení s pokyny pro používání zařízení osobou odpovědnou za jejich bezpečnost. Je nutné zajistit, aby si děti s přístrojem nehrály.

- Dodržujte informace uvedené ve specifikacích týkající se maximálního počtu sad nádobí k mytí v myčce.
- Tlak vody musí být mezi 0,05 MPa a 0,6 MPa.

Instalace

- Nikdy neuvádějte zařízení do provozu, pokud je poškozené, vadné, částečně demontované nebo pokud chybí či jsou poškozené některé součásti včetně poškozeného napájecího kabelu nebo zástrčky.
- Pokud je napájecí kabel poškozen nebo je otvor elektrické zásuvky uvolněný, zástrčku nepoužívejte a obraťte se na autorizované servisní středisko.
- Neupravujte napájecí kabel dodaný spolu se spotřebičem. Obratě se na informační středisko společnosti LG, kde vám poradí, zda je nekompatibilní.
- Toto zařízení by mělo být přepravováno dvěma nebo více osobami, které jej bezpečně drží.
- Zařízení neinstalujte ve vlhkém a prašném prostředí. Zařízení neinstalujte ani neskladujte v exteriéru nebo na jakémkoliv místě, které může být vystaveno povětrnostním vlivům, např. přímému slunečnímu světlu, větru, dešti nebo teplotám pod bodem mrazu.
- V kombinaci s tímto zařízením nepoužívejte vícezdiřkové zásuvky, prodlužovací napájecí kabel nebo adaptér.
- Před instalací nebo údržbou spotřebiče odpojte napájecí kabel, domovní pojistky nebo jistič.
- Při přemísťování nebo instalaci výrobku na jiné místo zavolejte kvalifikovaného servisního technika, který provede instalaci a servis.
- Pevně připevněte odtokovou hadici.
- Tento spotřebič není určen pro použití v námořní dopravě nebo v mobilních instalacích, jako jsou karavany, přívěsy nebo letadla.
- Tento spotřebič musí být umístěn v blízkosti elektrického napájení.

- Při instalaci nebo přemístování spotřebiče dávejte pozor, aby nedošlo k poškození napájecího kabelu.
- Použijte novou hadici nebo sadu hadic dodávanou se zařízením. Opětovné použití starých hadic může mít za následek únik vody a následné poškození majetku.
- Nesprávné připojení zemnicího vodiče může mít za následek riziko zasažení elektrickým proudem. Pokud si nejste jisti, zda je zařízení správně uzemněno, obraťte se na odborného elektrikáře nebo servisního technika.
- Toto zařízení musí být uzemněno. V případě poruchy nebo selhání snižuje uzemnění riziko zasažení elektrickým proudem tím, že elektrickému proudu umožňuje projít cestou nejmenšího odporu.
- Tento spotřebič je vybaven síťovým kabelem se zemnicím vodičem a ochranným kolíkem. Zástrčka musí být připojena do vhodné zásuvky, která je nainstalována a uzemněna v souladu s veškerými místními zákony a předpisy.
- Po montáži, ale dříve, než spotřebič zasunete do otvoru v kuchyňské sestavě, zkontrolujte, zda hadicové připojení těsní.
- Nepoškodte napájecí kabel ani na něj nepokládejte těžké předměty.
- Tento spotřebič je určen pouze pro použití v domácnostech a v rámci podobného typu použití a nesmí se používat ke komerčním účelům.
- V případě trvale připojené myčky: Tento spotřebič musí být připojen k uzemňovací kovové části, pevné elektroinstalaci nebo musí být uzemňovací vodič spotřebiče veden souběžně s jinými vodiči obvodu a být připojen k uzemňovací svorce spotřebiče nebo k hlavnímu vodiči spotřebiče.
- Připojte uzemňovací vodič k zelenému uzemňovacímu konektoru ve svorkové skříni.

Obsluha

- Pokud zaznamenáte podivný zvuk, zápach nebo kouř vycházející ze spotřebiče, okamžitě odpojte síťovou zástrčku a obraťte se na zákaznické informační středisko společnosti LG Electronics.

- Neopravujte ani nevyměňujte žádné díly zařízení. Veškeré opravy a servis musí provádět kvalifikovaní servisní pracovníci, není-li v této příručce uživatele doporučeno jinak. Používejte pouze schválené tovární díly.
- Nenechávejte otevřená dvířka zařízení. Otevřená dvířka lákají děti, aby se na nich houpaly nebo aby lezly do zařízení, což by mohlo mít za následek poškození zařízení nebo zranění osob.
- V blízkosti zařízení nepoužívejte vznětlivé plyny a hořlavé látky (benzen, benzín, ředidla, petrolej, alkohol atd.).
- Nepokoušejte se oddělovat žádné panely nebo rozebírat zařízení. Nepoužívejte při ovládání zařízení přes ovládací panel žádné ostré předměty.
- Napájecí kabel nadměrně neohýbejte ani na něj nepokládejte těžké předměty.
- Nevkládejte do zařízení zvířata, např. domácí mazlíčky.
- Nedotýkejte se zástrčky ani ovládacích prvků zařízení vlhkými rukama.
- Pokud dojde k úniku plynu (izobutan, propan, zemní plyn atd.), nedotýkejte se zařízení ani zástrčky a ihned místnost vyvětrejte.
- V případě záplav odpojte síťovou zástrčku a obraťte se na zákaznické informační středisko společnosti LG Electronics.
- Za určitých podmínek se v teplovodním systému, který nebyl používán po dobu minimálně dvou týdnů, může vytvářet plyný vodík. PLYNNÝ VODÍK JE VÝBUŠNÝ. Pokud jste teplovodní systém po tuto dobu nepoužívali, před použitím spotřebiče otevřete všechny vodovodní kohoutky a nechte vodu z každého kohoutku několik minut odtéct. Tím se uvolní veškerý nahromaděný plyný vodík. Jelikož plyn je hořlavý, během této doby nekuřte ani nepoužívejte otevřený plamen.
- Prostor pod spotřebiči a kolem nich udržujte bez přítomnosti hořlavých materiálů, jako jsou vlákna, papír, hadry, chemikálie, atd.
- Některé čisticí prostředky jsou silně alkalické. Při polknutí mohou být velmi nebezpečné. Vyhněte se kontaktu s kůží a očima a držte děti mimo dosah myčky, pokud jsou dvířka otevřená. Po ukončení mycího cyklu zkontrolujte, zda je přihrádka na čisticí prostředek prázdná.

- Nepoužívejte spotřebič, pokud nejsou všechny kryty správně nainstalovány.
- Používejte pouze čisticí prostředky nebo smáčedla, které se doporučují pro použití ve spotřebiči, a uchovávejte je mimo dosah dětí.
- Nemyjte ani nesušte předměty, které byly namočené ve výbušných látkách, jako jsou benzín, ředidla či čisticí prostředky na bázi rozpouštědel.
- Při ukládání položek určených k umytí:
 - Umístěte ostré předměty tak, aby nemohly poškodit těsnění dveří.
 - Vložte ostré nože s držadly směrem nahoru, abyste snížili riziko poranění, např. pořezání.
- Nemyjte plastové předměty, pokud nejsou označeny jako „vhodné do myčky“ nebo podobným označením. V případě plastových předmětů, které nejsou označeny, zkontrolujte doporučení výrobce.
- Během provozu nebo bezprostředně po použití se nedotýkejte žádného ohřívacího tělesa (pokud je volně přístupné).
- Dveře myčky ani koše na nádobí nepoužívejte nepovoleným způsobem, nesedejte si na ně, ani na nich nestůjte.
- Po umytí nádobí zavřete kohoutek. Před mytím kohoutek znovu otevřete a zkontrolujte stav připojení hadice pro přívod vody.
- Během provozu spotřebiče neotevírejte dvířka. Voda vystříkne ven a může způsobit nebezpečí uklouznutí.
- Při zavírání dvířek spotřebiče dávejte pozor, abyste si nepřivřeli ruku.
- Nemyjte ani nesušte předměty, které byly namočené ve výbušných látkách, jako jsou benzín, ředidla či čisticí prostředky na bázi rozpouštědel.
- Nedotýkejte se žádného namontovaného výstupu páry.
- Malé části, jako například příchytka na koše a příchytka na filtry, mohou představovat riziko pro malé děti v případě jejich vyjmutí z myčky. Uchovávejte je proto mimo dosah malých dětí.
- Nože a jiné příbory s ostrými hroty musí být vloženy do koše s hroty směřujícími dolů nebo umístěny v horizontální poloze.

- Dveře by neměly zůstat v otevřené poloze, protože by mohlo hrozit zakopnutí.

Údržba

- Nikdy nevypojujte spotřebič tahem za síťový kabel. Vždy pevně uchopte elektrickou zástrčku a vytáhněte ji přímo ze zásuvky.
- Po úplném odstranění vlhkosti a prachu bezpečně zapojte elektrickou zástrčku do zásuvky.
- Při čištění nestříkejte vodu dovnitř ani na vnější povrch zařízení.
- Před čištěním zařízení odpojte od zdroje napájení. Nastavení ovládacích prvků na hodnotu VYPNUTO nebo přechod do pohotovostního režimu neodpojí zařízení od zdroje napájení.

Likvidace

- Před vyřazením starého přístroje jej odpojte od elektrické sítě. Abyste zamezili nesprávnému použití přístroje, odřízněte přímo za přístrojem síťový kabel.
- Veškeré obalové materiály (např. plastové pytle nebo polystyren) odstraňte z dosahu dětí. Obalové materiály mohou způsobit udušení.
- Před likvidací zařízení nebo jeho vyhozením demontujte dvířka, abyste zamezili nebezpečí uvíznutí dětí nebo malých zvířat uvnitř pračky.

UPOZORNĚNÍ

UPOZORNĚNÍ

- Abyste při používání tohoto výrobku snížili riziko požáru, zásahu elektrickým proudem nebo poranění osob dodržujte základní bezpečnostní opatření včetně opatření, která jsou uvedena níže:

Instalace

- Výrobek nainstalujte na pevnou a rovnou podlahu.
- Během instalace neumísťujte pod myčku odtokovou hadici.

Obsluha

- Zavřete vodovodní kohoutek a vytáhněte zástrčku ze zásuvky, pokud má být spotřebič delší dobu mimo provoz, například během vaší dovolené.
- Neumísťujte na vrchní část spotřebiče žádné předměty.
- Povrch výrobku neotírejte ani nepotírejte tekutým čisticím prostředkem nebo bělidlem (chlorovým bělidlem, kyslíkovým bělidlem, atd.). Nedodržení těchto pokynů může mít za následek korozi nebo změnu barvy povrchového nátěru.
- Nedotýkejte se vody odtékající ze spotřebiče, protože může být horká.
- Pokud odtoková hadice a přívodní hadice v zimě zamrznou, před použitím je rozmrazte.
- Nevkládejte ruce, nohy ani kovové předměty pod nebo za spotřebič.
- Nemyjte nádobí znečištěné chemickými výrobky, jako jsou oleje, krémy nebo pleťové vody používané v masážním salonu, obchodu s kosmetikou nebo kosmetickém salonu.

Údržba

- Pokud se na vnější stranu výrobku vylije olej na vaření, okamžitě jej otřete. Vnější části výrobku nečistěte čisticími prostředky, které obsahují alkohol, ředidla, bělidla, benzen, hořlavé kapaliny nebo abrazivní látky. Tyto látky mohou způsobit změnu barvy nebo poškození spotřebiče.

PÉČE O ŽIVOTNÍ PROSTŘEDÍ

Likvidace starého přístroje



- Tento symbol přeškrtnutého koše značí, že odpad z elektrických a elektronických výrobků (WEEE) je nutné likvidovat odděleně od linky komunálního odpadu.
- Staré elektrické výrobky mohou obsahovat nebezpečné látky, takže správná likvidace starých přístrojů pomůže zabránit potenciálním negativním důsledkům pro životní prostředí a lidské zdraví. Staré přístroje mohou obsahovat znovu použitelné díly, které lze použít k opravě dalších výrobků a další cenné materiály, které lze recyklovat a šetřit tak omezené zdroje.
- Přístroj můžete zanést buď do obchodu, kde jste ho zakoupili, nebo se obrátit na místní správu komunálních odpadů, kde získáte podrobné informace o autorizovaném sběrném místě WEEE. Pro poslední aktuální informace z vaší země si prosím prostudujte web www.lg.com/global/recycling.

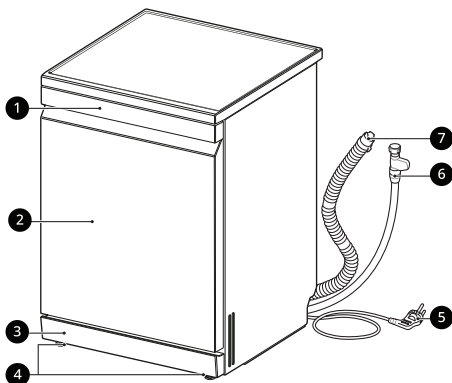
INSTALACE

Díly a specifikace

POZNÁMKA

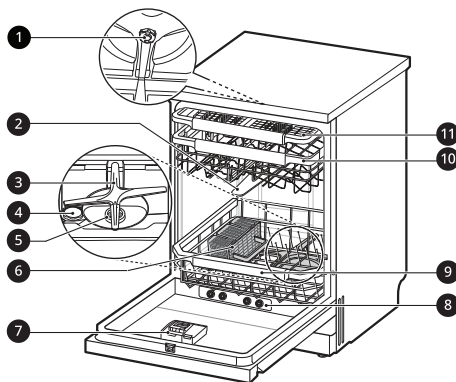
- Vzhled a technické údaje spotřebiče se mohou v rámci zvyšování kvality bez předchozího upozornění změnit.

Pohled zepředu



- 1 Ovládací panel a rukojeť dveří
- 2 Přední kryt
- 3 Spodní kryt
- 4 Vyrovnávací noha
- 5 Napájecí kabel
- 6 Hadice pro přívod vody
- 7 Odtoková hadice

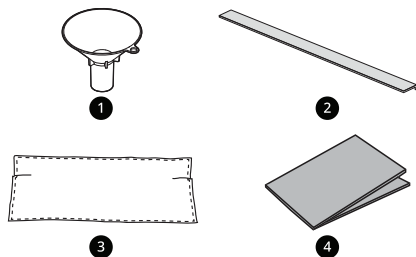
Pohled dovnitř



- 1 Pohonné kolo horního mytí
- 2 Horní ostříkovací rameno
- 3 Spodní ostříkovací rameno
- 4 Uzávěr přihrádky na sůl
- 5 Filtrační systém
- 6 Košík na příbory*1
- 7 Dávkač čisticího a leštícího prostředku
- 8 Parní tryska*1
- 9 Spodní koš
- 10 Horní koš
- 11 Stojan na příbory*1

*1 Dodávané příslušenství je dostupné jen u některých modelů a může se lišit v závislosti na zakoupeném modelu.

Příslušenství



- ❶ Trychtýř
- ❷ Protihluková páska *1
- ❸ Plstěný kryt
- ❹ Ochranný pásek proti vlhkosti (hliníkový pásek)

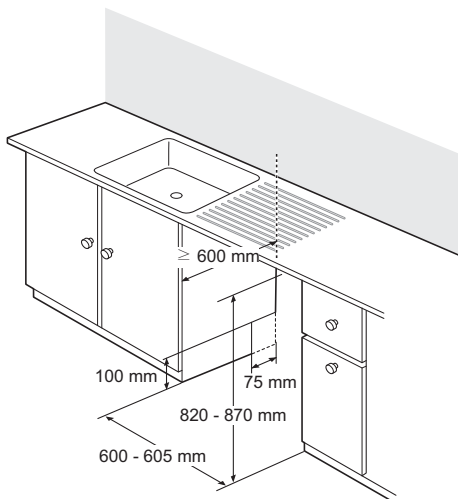
*1 Jsou dodávány tyto protihlukové pásy: dolní - 1 EA, přední - 1 EA, boční - 2 EA

Technické údaje

Model	DF325*** / DF325**	DF425***
Napájení	220–240 V, 50 Hz	
Rozměry (Šířka X Hloubka X Výška)	600 mm X 600 mm X 850 mm	
Hmotnost	Přibližně 49 kg	Přibližně 52 kg
Max. kapacita	14 sad	
Povolený tlak vstupní vody	0,05–0,6 MPa	
Spotřeba energie	1600–1800 W	

Příprava otvorů ve skřínce na myčku

Výběr správného umístění



- Instalujte spotřebič na rovnou a stabilní podlahu.
- Na jedné ze stran vyřízněte prostor na hadice a elektrické kabely. (Přibližně 100 mm x 75 mm)
- Zvolte si místo co nejbližší dřezu, abyste si usnadnili připojení k vodovodnímu a odtokovému potrubí.
- Aby byl možný odtok, spotřebič by neměl být nainstalován více než 1 metr od dřezu.
- Pokud je spotřebič nainstalován v rohu, musí být mezi spotřebičem a přílehlou skříňkou nebo stěnou vzdálenost minimálně 50 mm.
- Před zasunutím spotřebiče do montážního otvoru je třeba nastavit všechny výšky pomocí klíče.

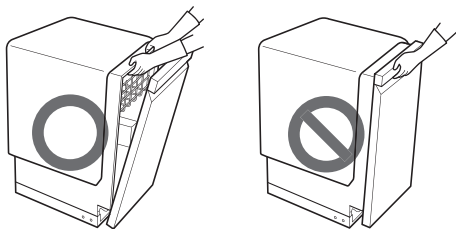
⚠ UPOZORNĚNÍ

- Jakékoliv nechráněné dřevo v okolí spotřebiče by mělo být utěsněno vodotěsnou barvou nebo těsnicím prostředkem, aby se zabránilo jeho bobtnání.
- Zasuňte myčku do skříňky a opatrně ji otevřete. Ujistěte se, že odtoková hadice za spotřebičem a uvnitř skříňky není zauzlená nebo příliš napnutá.

- Spotřebič nainstalujte na rovný a stabilní povrch. Mezi podlahu a základnu nebo nohu spotřebiče nevkládejte žádné předměty.

POZNÁMKA

- Tuto instalaci musí provést kvalifikovaný servisní personál, aby byla zajištěna její správnost.
- Spotřebič netahejte ani nezvedejte za rukojeť, mohlo by to poškodit dveře a panty. Abyste zařízení mohli přemístit nebo zvednout, otevřete dvířka a uchopte rám myčky a horní přední otvor vnitřní části.



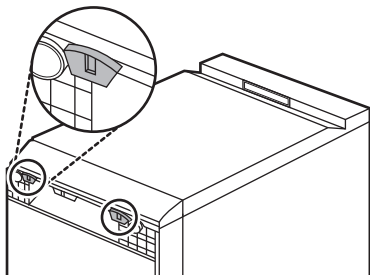
- Nezavírejte dveře myčky tak, že je zatlačíte kolenem.



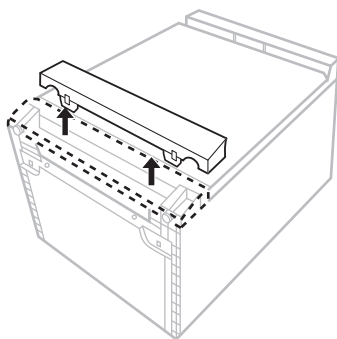
Připojení lišty k základně spotřebiče

Ke snížení hluku připevněte k základně spotřebiče lištu.

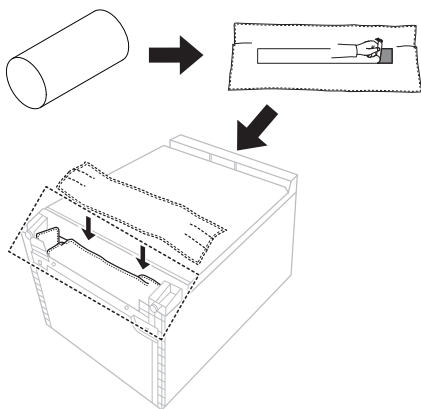
- 1** Spotřebič položte a zatáhněte za oba háčky ve spodní části spodního krytu.



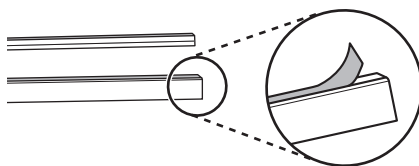
- 2** Zatáhněte za spodní kryt a odeberte ho.



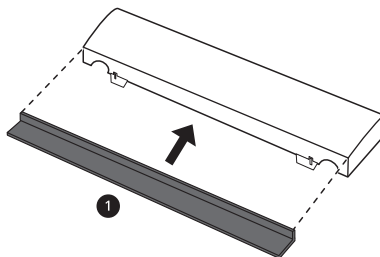
- 3** Odstraňte oboustrannou pásku na zadní straně plsti a připevněte ji na přední stranu spodní části spotřebiče.



- 4** Odstraňte oboustrannou pásku ze spodní a přední lišty.

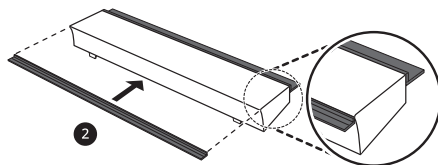


- 5** Připojte černou spodní lištu ① ke spodní části spodního krytu.

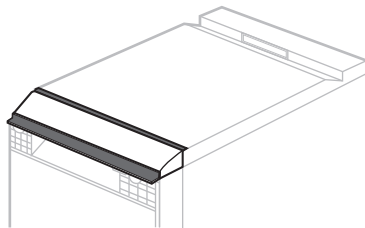


- 6** Připojte černou přední lištu ② k horní části spodního krytu.

- Délka přední lišty je delší než spodní kryt. Přední lištu připevněte tak, aby přečínala stejně na obou stranách spodního krytu.



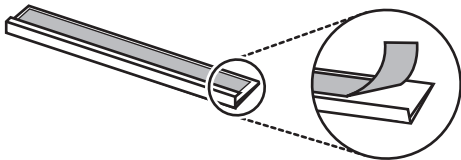
- 7** Připevněte spodní kryt s lištou na spotřebič.



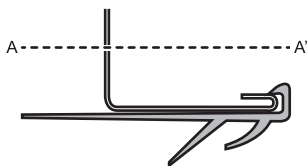
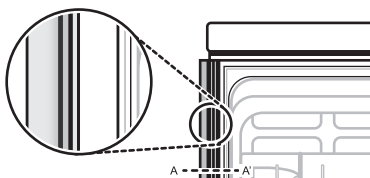
Přípevnění lišty k boční skřínce spotřebiče

Chcete-li snížit hluk, připevněte lištu po bocích spotřebiče, pokud to otevírací prostor dovoluje.

- 1 Odstraňte oboustrannou pásku z bočních lišt.



- 2 Nasadte boční lištu na přední stranu boční skříňky a zatlačte ji tak, aby ke skřínce dobře přiléhala.

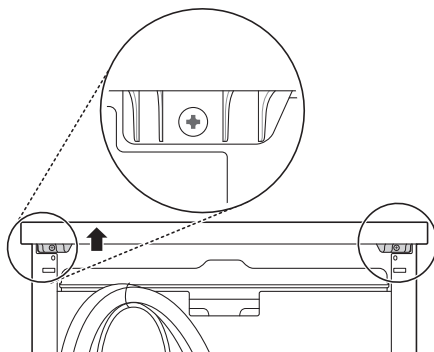


- 3 Opakujte výše uvedené kroky a připevněte protilehlou boční lištu na opačnou boční skříňku.

Demontáž horního krytu

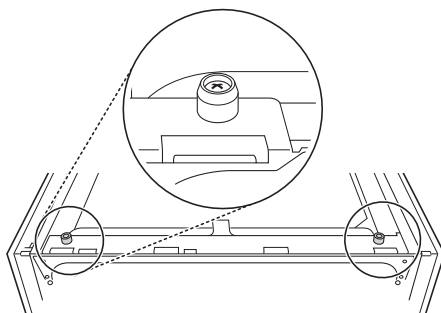
Pokud je výška otvoru menší než 850 mm, postupujte podle těchto pokynů.

- 1 Odstraňte 2 šrouby na zadní straně.



- 2 Po odstranění dvou šroubů vytáhněte horní kryt směrem dozadu a poté ho vytáhněte nahoru, abyste ho odebrali.

- 3 Odstraňte ustavovací kolíky z horní části pomocí křížového šroubováku.



POZNÁMKA

- Když je spotřebič správně vyrovnaný, při otevírání dvířek by nemělo být slyšet žádné tahání, lepení se nebo tření.

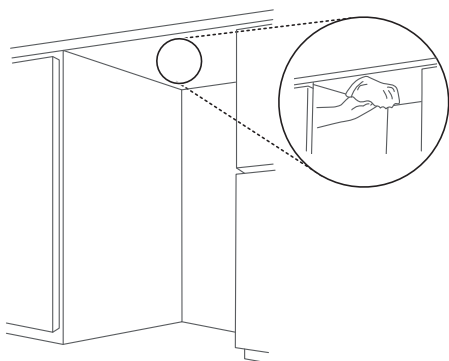
Instalace ochranného pásku proti vlhkosti

Když je spotřebič nainstalován bez horního krytu, spodní strana kuchyňské linky se může při otevírání dvířek poškodit v důsledku páry nebo kondenzované vlhkosti.

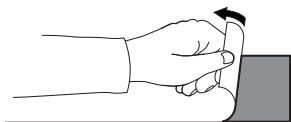
- Na spodní stranu kuchyňské linky nainstalujte ochrannou pásku proti vlhkosti, abyste ji

ochránili před kondenzovaným vlhkem při otevírání spotřebiče.

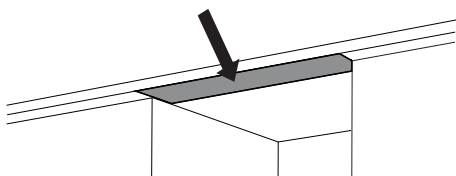
- 1 Vyčistěte a vysušte spodní stranu kuchyňské linky, ke které bude páska připevněna.



- 2 Odstraňte z pásky ochrannou fólii.



- 3 Nalepte pásku na spodní stranu kuchyňské linky.



POZNÁMKA

- Ochranná páska proti vlhkosti je součástí balení.
- Pokud je kuchyňská linka vyrobena z granitu nebo vodotěsných materiálů, není ochranná páska proti vlhkosti nutná.
- Pokud je teplota v místnosti nízká, může se na spodní straně nebo podél přední hrany kuchyňské linky objevovat kondenzovaná vlhkost.

Vyrovnání spotřebiče

Kontrola polohy

Vyrovnání spotřebiče zabraňuje zbytečnému úniku a špatnému mytí. Po instalaci zkontrolujte, zda je spotřebič dokonale vyrovnaný.

- Pokud se přístroj při šikmém zatlačení horní desky spotřebiče kymácí, znovu nastavte nohy.

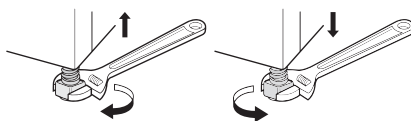
POZNÁMKA

- Pokud je při otevírání dveří slyšet tření nebo lepení se, spotřebič není vyrovnaný.

Nastavení a vyrovnání spotřebiče

Pokud spotřebič není v dokonalé vodorovné poloze, otáčejte nastavitelnými nožkami, dokud se spotřebič nepřestane kývat.

- Otáčením nastavitelných nožiček ve směru hodinových ručiček provádíte zvedání nebo otáčením nastavitelných nožiček proti směru hodinových ručiček provádíte snižování zepředu dozadu, ze strany na stranu a z rohu do rohu.



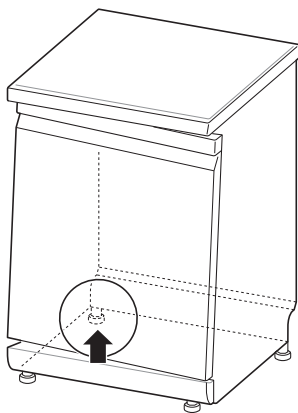
POZNÁMKA

- Umístěte spotřebič na pevnou, rovnou podlahu.
- Neinstalujte spotřebič na vyvýšený povrch.

Případ 1. Dveře jsou nakloněny doprava

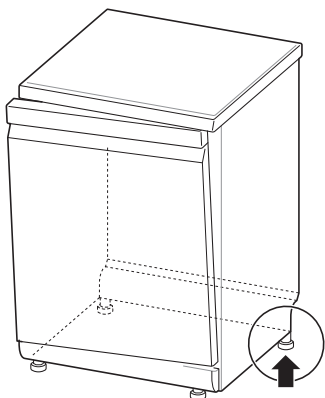
- 1 Odšroubujte (proti směru hodinových ručiček) zadní levou nohu a upravte její úroveň.

- 2** Zkontrolujte otevření dvířek a v případě potřeby postup opakujte, dokud se dvířka neotevírají a nezavírají správně.



Případ 2. Dveře jsou nakloněny doleva

- 1** Odšroubujte (proti směru hodinových ručiček) pravou zadní nohu a upravte její úroveň.
- 2** Zkontrolujte otevření dvířek a v případě potřeby postup opakujte, dokud se dvířka neotevírají a nezavírají správně.



Instalace odtokové hadice

Pokud konec odtokové hadice nezapadá do odtokového potrubí, použijte soupravu pro prodloužení odtoku (volitelně příslušenství), která je odolná vůči teplotě a čisticím prostředkům.

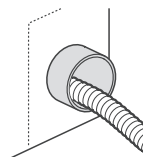
- K dispozici by měla být v železářství nebo instalatérských potřebách.

Připojení k odtokovému hrdlu

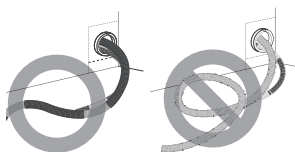
Při počáteční instalaci zkontrolujte hrdlo odpadu. Pokud se odtokové hrdlo pod dřezem nevyvrta správně, může se objevit chyba E . Abyste mohli připojit odtokovou hadici, vyvrtejte před jejím připojením a připevněním k odtokovému hrdlu minimálně 15 mm otvor.

⚠ UPOZORNĚNÍ

- Po vyvrtání se ujistěte, že uvnitř hrdla nezůstaly zbytky plastu.
- Nepokoušejte se otevřít otvor na odpad šroubovákem a kladivem. Způsobí to uvíznutí nečistot a poruchu.
- Při tažení hadic přes otvory skříňky buďte opatrní, protože otvory mohou mít ostré hrany a poškodit hadice. Hrany vyhladte nebo vybruste, abyste zabránili poškození odtokové nebo přívodní hadice.



- Ujistěte se, že hadicové vedení není zauzlené ani ostře ohnuté.

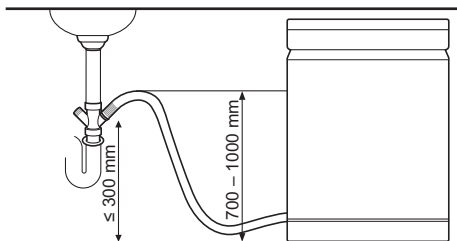


- Ujistěte se, že odtoková hadice se nachází přívodním koncem přímo před otvorem pro přívod vody.

Abyste zabránili zápachu z odtoku, použijte jednu z následujících metod.

Metoda 1

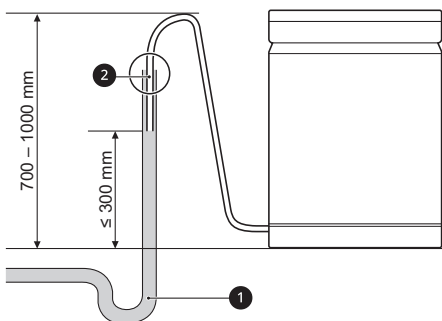
Při připojování odtokové hadice k odtokovému hrdlu sviňte hadici až ke spodní straně kuchyňské linky a zajistěte ji.



Metoda 2

Pokud je odtoková hadice připojena k samostatnému potrubí ①, je nezbytné, aby bylo vytvořeno vzduchotěsné spojení ②. V opačném případě může docházet k šíření zápachu.

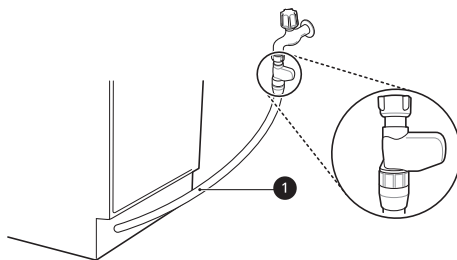
- Průměr potrubí je nejméně 40 mm.



Příprava vodních a elektrických přípojek

Připojení hadice k vodovodnímu kohoutku

Připojte přívodní hadici ① k vodovodnímu kohoutku.

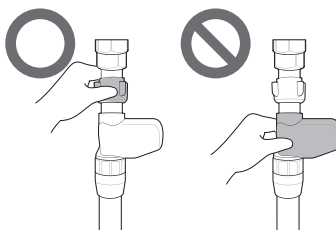


⚠ VAROVÁNÍ

- Nezkracujte ani nepoškozujte přívodní hadici, protože obsahuje elektrické vodiče a komponenty. Pro účely instalace nesmí být ze spotřebiče odpojována ani odstraněna.
- Je důležité, aby hadice pro přívod vody nebyla měněna, řezána, rozebírána, vytažena nebo zauzlena. Uvnitř ní se nachází elektrické vedení a v případě poškození může způsobit úraz elektrickým proudem.

⚠ UPOZORNĚNÍ

- K připevnění přívodní hadice k vodovodnímu kohoutku použijte pouze závitovou matici hadice.
- Při připojování hadice pro přívod vody k vodovodnímu kohoutku hadicí neotáčejte ani ji nezauzlujte.



⚠ UPOZORNĚNÍ

- Tento spotřebič může být napájen teplou nebo studenou vodou. Pokud se připojení vody nedá udržet pod 65 °C, musí být spotřebič připojen ke studené vodě.
- Na závit kohoutku použijte těsnící pásku nebo těsnící směs, aby se zabránilo úniku vody.
- Ujistěte se, že hadicové vedení není zauzlené ani ostře ohnuté.

POZNÁMKA

- Před připojením hadice pro přívod vody k vodovodnímu kohoutku otevřete kohoutek, abyste z vodovodního potrubí vypláchli cizí látky (nečistoty, písek nebo piliny). Nechte vodu odtéci do kbelíku.
- Než poteče první voda vhodná pro přívod, potrvá to asi 3 - 4 minuty.

Způsob vedení elektrické instalace

Spotřebič připojte k uzemněné zásuvce v souladu s platnými předpisy o elektroinstalaci tak, aby byl chráněn min. 15 ampérovým jističem nebo pojistkou s časovým zpožděním.

Zapojení musí být dvouvodičové s uzemněním.

Napájecí kabel by neměl být umístěn za spotřebičem, ale ve vzdálenosti 1,2 m od boční strany tak, aby byla zástrčka snadno přístupná.

⚠ VAROVÁNÍ

- Z důvodů osobní bezpečnosti před instalací odstraňte pojistku nebo otevřete jistič nebo vypněte síťovou zástrčku.
- Nepoužívejte prodlužovací přívod ani rozbočovací zásuvku.
- Zástrčka musí být připojena do vhodné zásuvky, která je odborně nainstalována a uzemněna v souladu s veškerými místními zákony a předpisy.
- Opravy spotřebiče smí provádět pouze kvalifikovaní pracovníci. Opravy prováděné nezkušenými osobami mohou způsobit zranění

nebo vážné poruchy. Obratťe se na naše místní servisní středisko.

- Abyste předešli elektrickému přetížení, připojte spotřebič ke správně dimenzovanému a chráněnému napájecímu obvodu.

Závěrečná kontrola instalace

Zkoušení myčky

- 1 Zapněte elektrické napájení.
- 2 Zapněte přívod vody.
- 3 Pokud je jednotka správně vyrovnaná, dveře by se měly otevírat a zavírat hladce a bez ostrého hluku.
- 4 Spustte cyklus **Rinse (Leštění)** spotřebiče, abyste ověřili správnou funkci a zkontrolovali, zda nedochází k úniku vody.

Kontrola kódů chyb instalace

Kód chyby	Možná příčina a řešení
0E	<p>Odtoková hadice je zauzlená nebo stlačená.</p> <ul style="list-style-type: none"> • Přívodní a odtokovou hadici zasuňte otvorem pod dřezem. Potom postupně zasouvejte myčku do skříňky a zároveň táhněte za hadice pod dřezem, aby nebyly zbytečně volné. Pomáhá to předejít zauzlení hadic nebo jejich zachycení pod myčkou nádobí.
	<p>Odtokové hrdlo pod dřezem je ucpané.</p> <ul style="list-style-type: none"> • Pod dřezem vyvrtejte odtokové hrdlo.

Kód chyby	Možná příčina a řešení
I E	<p>Vodovodní potrubí pod myčkou je zauzlené.</p> <ul style="list-style-type: none"> • Přívodní a odtokovou hadici zasuněte otvorem pod dřezem. Potom postupně zasouvejte myčku do skříňky a zároveň táhněte za hadice pod dřezem, aby nebyly zbytečně volné. Pomáhá to předejít zauzlení hadic nebo jejich zachycení pod myčkou nádobí.
	<p>Není zapnutý přívod vody.</p> <ul style="list-style-type: none"> • Zapněte přívod vody. Tlak vody může být příliš vysoký nebo příliš nízký.

OBSLUHA

Před použitím

Tento model je vybaven změkčovačem vody pro změkčení tvrdé vody.

POZNÁMKA

- Spotřebič lze používat bez soli do myčky, pokud není potřebná, ale úroveň tvrdosti musí být nastavena na H0, aby ikona nezůstala rozsvícená.
- Chcete-li dosáhnout uspokojivých výsledků leštění, spotřebič potřebuje měkkou vodu, tj. vodu, která obsahuje málo vodního kamene nebo žádný vodní kámen. V opačném případě zůstanou na nádobí a uvnitř spotřebiče skvrny od vody.
- Pokud voda z vodovodu překročí určitou úroveň tvrdosti, je nutné ji změkčit, tj. odvápnit. Toho dosáhnete přidáním soli určené pro myčky do změkčovače vody uvnitř spotřebiče. Požadované množství soli se nastaví podle tvrdosti vody z vodovodu.

- 3 Zkontrolujte barvu tvrdosti vody na proužku. Porovnejte s obalem.

Kontrola úrovně tvrdosti vody

Metoda 1

- 1 Zkontrolujte tvrdost vody ve své oblasti. Vodárenská společnost vám s tím může pomoci.
- 2 Nastavte úroveň systému změkčování ve spotřebiči podle úrovně tvrdosti vody.

Metoda 2

Tvrdost vody můžete zkontrolovat pomocí testovacího proužku, který je součástí výrobku.

- 1 Ponořte všechny reakční zóny testovacího proužku na přibližně jednu sekundu. Nevkládejte pod tekoucí vodu.
- 2 Přebytečnou vodu setřepete z proužku a počkejte 1 minutu.

Tabulka tvrdosti vody

Tvrdost vody							Úroveň změkčování	Poměr* 1
ppm	°d	°e	°f	mmol/l (Ca+Mg)	mg/l (Ca)	Rozsah		
0	<4	<5	<7	<0,7	<29	Měkká	H0	-
75	4 - 7	5 - 9	7 - 13	0,7 - 1,3	29 - 50		H1	1:24
125	7 - 14	9 - 17,5	13 - 25	1,3 - 2,5	50 - 100		H2	1:7
250	14 - 21	17,5 - 26	25 - 38	2,5 - 3,8	100 - 150		H3	1:4
375	>21	>26	>38	>3,8	>150	Tvrdá	H4	2:1

*1 Počet regenerací změkčovače vody*2: Počet cyklů mytí*3

*2 Regenerace změkčovače vody proběhne na konci operace hlavního mytí podle programu **ECO**.

*3 Cyklus mytí se skládá ze 4 operací (Předmytí, Hlavní mytí, Oplachování, Horké leštění) podle programu **ECO**.

Nastavení systému změkčování vody

Aby byly výsledky mytí účinné, nastavte nastavení změkčovače tak, aby odpovídalo úrovni tvrdosti vody použité pro přívod vody. Změkčovač vody má 5 úrovní nastavení, přičemž spotřebič je naprogramován z výroby na úroveň tvrdosti vody H2. Výchozí hodnotu nastavení můžete zkontrolovat a upravit v následujících krocích:

1 Stiskněte současně tlačítka **Výkon** a **Half Load (Poloviční dávka)**.

- Zobrazí se aktuální hodnota nastavení.


2 Stiskněte tlačítko **Delay Start (Odložení startu)** a pak nastavte požadovanou hodnotu.

- Rozsah nastavené hodnoty je H0 až H4.


3 Stisknutím tlačítka **Start (Ponire)** uložte nastavení.

- Po uložení se napájení vypne.

POZNÁMKA

- Pokud se v systému změkčování nenachází sůl do myčky, na displeji se rozsvítí ikona **Doplňt sůl** .
- Pokud je nastavení tvrdosti nastaveno na H0, nerozsvítí se žádná ikona navzdory nepřítomnosti soli.

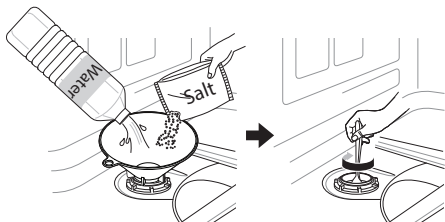
Vložení soli pro myčku nádobí

Dávka soli je nutno naplnit před spuštěním programu mytí. Pokud není úroveň tvrdosti nastavena na hodnotu H0, zobrazí se na displeji v případě nedostatečného množství soli ikona **Doplňt sůl** .

UPOZORNĚNÍ

- Po doplnění soli do myčky musíte okamžitě spustit cyklus Oplachování, abyste odstranili sůl a slanou vodu nacházející se ve vnitřním prostoru myčky a zabránili tím korozi.

- 1 Vyjměte spodní koš a vyjměte uzávěr dávkovače soli, který se nachází na levé straně filtrů.
- 2 Pokud chcete použít systém změkčování vody, je třeba před prvním použitím spotřebiče nalít do myčky najednou 1 kg soli a 1 litr vody. K doplnění soli použijte trychtýř. Viz část **Před použitím**.



- 3 Uzávěr nasadte pevně zpět.
- 4 Spustte cyklus **Rinse (Leštění)** bez nádobí.

Cyklus doplňování soli (1 kg pro každou dávku)

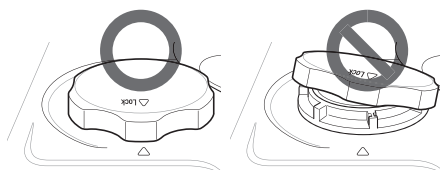
	H1	H2	H3	H4
Cykly	130	50	20	10

- Tabulka popisuje informace o programu **Auto**.
- Cyklus se může lišit podle množství doplňované soli.

⚠ UPOZORNĚNÍ

- Do dávkovače soli nedávejte žádné čisticí prostředky. Způsobí to poruchu.
- Otřete veškerou rozlitou sůl kolem uzávěru dávkovače soli. Solný roztok, který se dostane do vnitřního prostoru myčky, v něm může způsobit korozi.
- Uzávěr řádně uzavřete tak, že ho vodorovně zarovnáte a otočíte ve směru hodinových ručiček. Volně nasazený uzávěr může způsobit, že solný roztok unikne z dávkovače soli zpět do vnitřní části myčky a způsobí korozi.
- Po doplnění soli do myčky byste měli použít program na mytí, ale bez nádobí, protože sůl rozsypaná uvnitř spotřebiče může způsobit

korozi nebo poškození spotřebiče, pokud byste ho nechali neumytý.



POZNÁMKA

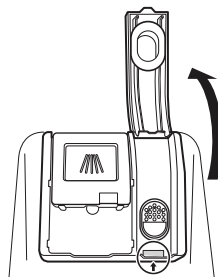
- Sůl můžete zakoupit od distributorů soli.

Přidání leštidla

Když je třeba větší množství leštidla, zobrazí na displeji indikátor **Leštidlo**.

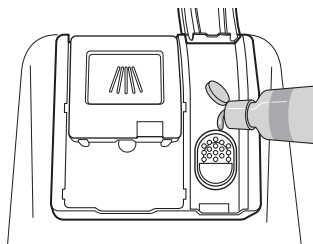
Použití leštidla se doporučuje k tomu, aby se zabránilo vzniku skvrn od vody na nádobí a aby se zlepšily výsledky sušení.

- 1 Otevřete víko přihrádky na leštidlo nadzvednutím klapky.



- 2 Přidejte tekuté leštidlo po čáru maximálního naplnění. Leštidlo by se mělo při plnění usadit v dávkovači. V opačném případě mohou mít

vzduchové bubliny za následek slabé výsledky sušení.



- 3** Zavřete víko, abyste dávkovač uzavřeli. Leštidlo bude dávkováno automaticky během posledního cyklu leštění.

⚠ UPOZORNĚNÍ

- Rozlité leštidlo otřete, aby se zabránilo tvorbě pěny.

POZNÁMKA

- Do spotřebiče používejte pouze tekuté leštidlo.
- Dávkovač leštidla nepřepíňujte.
- Příliš mnoho nebo příliš málo leštidla může potlačit výsledky sušení.
- Pokud z dávkovače vytéká leštidlo, otřete jej. V opačném případě může vznikat příliš mnoho pěny a znečistit myčku skvrnami.

Nastavení úrovně leštidla

Dávkovač má pět úrovní nastavení. Z výroby je naprogramována úroveň dávkovače leštidla 2. Toto nastavení můžete zkontrolovat a změnit pomocí tlačítek na ovládacím panelu.

- 1** Ujistěte se, že je spotřebič vypnutý.
- 2** Současným stisknutím tlačítek **Výkon** a **Dual Zone (Duální zóna)** zkontrolujete aktuální nastavení.
- 3** Stisknutím tlačítka **Delay Start (Odložení startu)** změníte nastavení dávkovače leštidla.

Každé stisknutí tlačítka změní nastavení o jeden krok z L0 (vypnuto) na L4.

- 4** Po zvolení požadovaného dávkovače leštidla stiskněte **Start (Pornire)**.
 - Po uložení se napájení vypne.

⚠ UPOZORNĚNÍ

- V případě, že víko není správně dovřené, uvolní se do vnitřní části myčky velké množství leštidla a způsobí problémy s mytím.

POZNÁMKA

- Pokud je potřeba větší množství leštidla, rozsvítí se ikona **Doplnit leštidlo** ☼.
- Pokud si všimnete na skleněném nádobí skvrn, pruhů nebo stop po mytí, zvýšte nastavenou úroveň.
- Příliš vysoké nastavení úrovně může způsobit pění, které má za následek slabé výsledky mytí.
- Pokud je skleněné nádobí matné nebo se na jeho spodku nachází pěna, snižte nastavení úrovně.
- Příliš nízké nastavení úrovně leštidla může způsobit skvrny a pruhy na nádobí a má za následek slabé výsledky sušení.

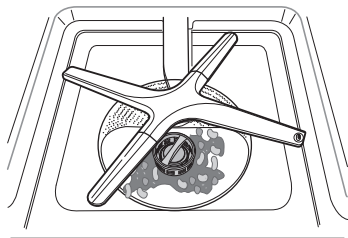
Přehled návodu k obsluze

Použití spotřebiče

- 1** Stiskněte tlačítko **Výkon**.
 - Zařízení se zapne. Zkontrolujte indikátory.
- 2** Zkontrolujte, jestli je k dispozici leštidlo a sůl do myčky nádobí.
 - Pokud se rozsvítí příslušné ikony, doplňte leštidlo a sůl. Více informací naleznete v části **Doplňování**.
 - ☼ : Ikona Doplnit sůl
 - ☼ : Ikona Doplnit leštidlo

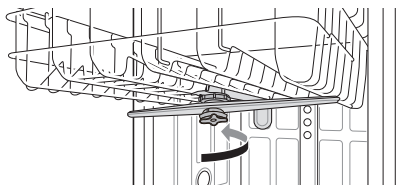
3 Otevřete dvířka a zkontrolujte filtry.

- Filtr vždy vyčistěte buď po mytí nebo před mytím, aby nedošlo ke zhoršení výsledků mytí.



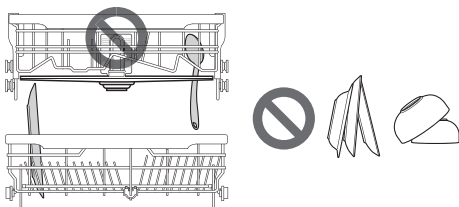
4 Ujistěte se, že se ostříkovací ramena mohou volně otáčet.

- Ujistěte se, že se horní ostříkovací ramena a spodní ostříkovací ramena dobře otáčejí. Pokud se ostříkovací rameno neotáčí, vyberte jej a vyčistěte.



5 Vložte nádobí do koše.

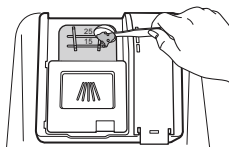
- Dbejte na to, aby žádné nádoby ani náčiní nestály v cestě ostříkovacím ramenům.
- Neumísťujte nádobí na sebe.



6 Přidejte do dávkovače správné množství čisticího prostředku.

- Pokud používáte tablety, můžete je jednoduše umístit přímo na spodní část

vnitřního prostoru myčky nebo na spodek vnitřní části dveří.



7 Nastavte a spusťte program.

- Program se spustí automaticky do 4 sekund po zvolení jakéhokoliv nastavení.

⚠ VAROVÁNÍ

- Nevkládejte do horního koše žádné předměty, když je spodní koš vytažen a plný. V opačném případě může dojít k poranění, protože spotřebič by mohl být nevyvážený a převrhnout se.
- Horní koš zatlačte úplně dozadu.
- Nejdříve vyprázdněte spodní koš a pak horní koš. Zabráníte tak kapání vody z horního koše na nádoby pod ním.
- Během provozu nebo bezprostředně po ukončení mycího cyklu dvířka neotvírejte, protože při otevření dveří může dojít k opaření párou.

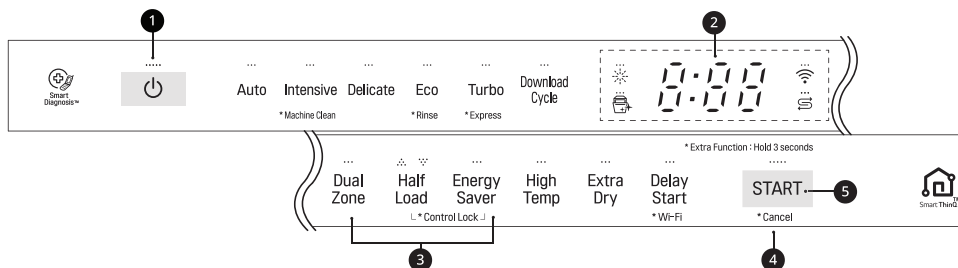
POZNÁMKA

- Do spotřebiče nikdy nepřidávejte tekutý čisticí prostředek.
- Před použitím myčky se nedoporučuje umývat nádobí ručně, protože se tím zvyšuje spotřeba vody a energie.
- Pokud se myčka nádobí pro domácnost používá podle pokynů výrobce, spotřebuje méně energie a vody než ruční mytí nádobí.

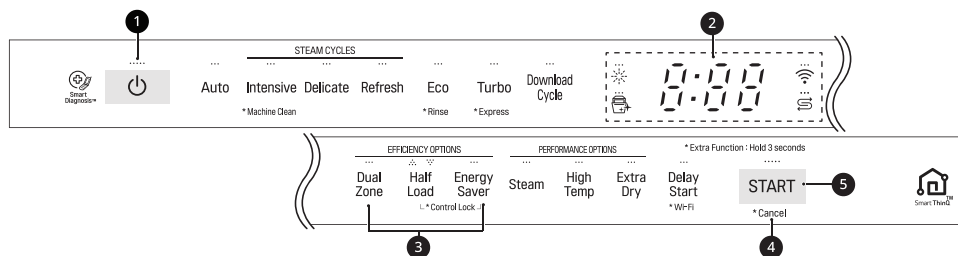
Ovládací panel

Funkce na ovládacím panelu

Pro neparní modely



Pro parní modely



1 Výkon

- Stisknutím tlačítka **Výkon** zapnete a vypnete napájení.
- Po ukončení cyklu se napájení automaticky vypne z důvodu bezpečnosti a hospodárnosti.
- Pokud dojde k přepětí, výpadku napájení nebo k narušení jiného typu, napájení se automaticky z bezpečnostních důvodů vypne.
- Při opětovném připojení napájení se spotřebič automaticky zapne a cyklus se obnoví.




2 Displej

• 8:88 : Digitální displej

- Digitální displej na ovládacím panelu zobrazuje ODHADOVANÝ čas cyklu. Po výběru cyklu a voleb se na displeji zobrazí celkový odhadovaný čas na dokončení zvolených nastavení. Během provozu se na displeji zobrazuje zbývající odhadovaný čas provozu.
- Odhadovaný čas zobrazený na displeji nezahrnuje časy zpoždění způsobené ohřevem vody, atd.
- Pokud je vybrána možnost **Delay Start (Odložení startu)**, na displeji se zobrazí čas zpoždění v hodinách.
- Doba cyklu **Auto** se může lišit v závislosti na úrovni znečištění v dávce.

• ☀ : Ikona Leštidlo

- Tato ikona se rozsvítí, pokud je hladina leštidla nízká. LED kontrolka se automaticky vypne po doplnění leštidla nebo po nastavení úrovně 0.

-  : **Ikona Čištění spotřebiče**
 - Tato ikona se rozsvítí po každých 30 cyklech.
 - Chcete-li ikonu aktivovat nebo deaktivovat, stiskněte tlačítko **Delicate (Jemné)** po dobu 3 sekund.
-  : **Wi-Fi**
 - Když je spotřebič připojen k internetu prostřednictvím domácí sítě Wi-Fi, rozsvítí se tato ikona.
-  : **Ikona Doplnit sůl**
 - Tato ikona se rozsvítí, když je hladina soli nízká. Po doplnění soli se LED kontrolka automaticky vypne.

3 Zvukový signál zapnuto/vypnuto

- Pro aktivaci nebo deaktivaci zvuků tlačítek stiskněte a podržte současně tlačítka **Dual Zone (Duální zóna)** a **Energy Saver (Spořič energie)** po dobu 3 sekund. Zvukové upozornění na chyby nelze vypnout.

4 Cancel (Zrušit)

- Aktivuje se vypouštěcí čerpadlo a cyklus se zruší. Jakmile spotřebič skončí s vypouštěním, napájení se vypne.
- Stisknutím a podržením tlačítka **Start (Pornire)** po dobu 3 sekund aktivujete funkci zrušení.

5 Start (Pornire)

- Chcete-li spotřebič používat, zavřete dvířka a stiskněte tlačítko **Start (Pornire)**.
- Pokud tlačítko **Start (Pornire)** není stisknuto, aby bylo možné spustit cyklus po dobu 4 minut, napájení se automaticky vypne.

Cykly mytí

Auto

Tento cyklus snímá míru znečištění a čistotu vody a optimalizuje mytí, aby se dosáhlo co nejlepšího čištění. Doba mytí se může lišit v závislosti na úrovni znečištění.

Intensive (Intenzivní)

Tento cyklus je určen pro silně znečištěné nádobí a nádobí se zaslou špínou. Tento cyklus je předvoleně nastaven na nejsilnější intenzitu ostříkávání a používá se k mytí silně znečištěného nádobí.

Delicate (Jemné)

Tento cyklus použijte na čištění jemných předmětů, například křehkého porcelánu nebo skleněných pohárů.

Refresh (Obnovení)

Tento cyklus osvěžuje a zahřívá nádobí, které nebylo dlouho používáno.

- Při použití tohoto cyklu nepoužívejte čisticí prostředek.

Eco

Zajišťuje nejúčinnější spotřebu energie a vody z hlediska výsledku mytí a výsledku sušení při normálně znečištěné dávce, protože využívá velmi málo energie.

Turbo

Tento cyklus vyčistí mírně znečištěné nádoby s použitím o trochu většího množství energie a vody.

- Standardně je zapnuta možnost **Extra Dry (Extra suché)**. Pokud po umytí nechcete nechat nádoby sušit, vypněte možnost **Extra Dry (Extra suché)**. Bez sušení nádobí bude doba cyklu kratší.

Download Cycle (Stáhnout cyklus)

Použijte vyhrazený cyklus, který si můžete stáhnout prostřednictvím Wi-Fi nebo NFC (podle modelu).

POZNÁMKA

- Na spotřebiči se objeví pouze kód cyklu pro aktuálně stažený cyklus. Kódy cyklů, včetně názvů a dalších informací o dostupných cyklech naleznete v aplikaci pro smartphony.
 - Výchozí cyklus: P1. Hrnce a pánve

Machine Clean (Čištění spotřebiče)

Tento cyklus slouží k čištění vnitřku spotřebiče. Cyklus používejte bez nádobí ve spotřebiči. Odstraňuje zbytkové usazeniny, zápach, bílé skvrny, vodní kámen a jiné nečistoty. Pro účinnější výsledky přidejte kyselinu citronovou nebo jiný čisticí prostředek.

- Pro aktivaci stiskněte a podržte tlačítko **Intensive (Intenzivní)** po dobu 3 sekund.

Rinse (Máchání)

Tento cyklus slouží pro rychlé opláchnutí nádobí, které se nebude okamžitě mýt. Cyklus opláchne nádoby s přebytečnými zbytky jídla, aby namočil zaschlé zbytky. Opláchnutí nádobí pomáhá zabránit zápachu ve spotřebiči.

- Pro aktivaci stiskněte a podržte tlačítko **ECO** po dobu 3 sekund.

POZNÁMKA

- Při této volbě nepoužívejte čisticí prostředek.
- Součástí tohoto cyklu není sušení.

Express (Expresní)

Tento cyklus rychle vyčistí mírně znečištěné nádoby.

- Pro aktivaci stiskněte a podržte tlačítko **Turbo** po dobu 3 sekund.

POZNÁMKA

- Součástí tohoto cyklu není sušení. Pro lepší sušení zvolte možnost **Extra Dry (Extra suché)** nebo jiný cyklus. **Extra Dry (Extra suché)** zvýší celkový čas cyklu.
- U cyklu **Express (Expresní)** se nedoporučuje používat čisticí tablety. Použití čisticích tablet může způsobit, že zbytky čisticího prostředku zůstanou na nádobí v důsledku relativně nízké teploty při oplachování.

Možnosti a zvláštní funkce

Vyberte tlačítko požadovaného cyklu a potom zvolte možnosti pro tento cyklus. Další informace naleznete v části **Průvodce cykly/možnostmi**.

Dual Zone (Duální zóna)

Tato volba automaticky nastaví intenzitu ostřikování na slabou pro horní rameno a silnou pro spodní rameno. Abyste dosáhli co nejlepších výsledků, umístěte silně znečištěné nádoby, jako jsou talíře a misky, do spodního koše a mírně znečištěné nádoby, jako jsou šálky a malé talíře, umístěte do horního koše.

Half Load (Poloviční dávka)

Tato možnost myje intenzivně díky použití pouze horního nebo spodního koše. Při malých dávkách použijte pouze horní nebo spodní koš, abyste ušetřili energii a čas. Po stisknutí tlačítka **Half Load**

(Poloviční dávka) se zobrazí možnosti nastavení ☼ (Horní), ☽ (Spodní) a zrušení této možnosti.

Energy Saver (Spořič energie)

Tato možnost šetří energii snížením teploty mytí a leštění. Doba mytí se zvýší, aby se zachovaly výsledky mytí. Nepoužívejte tento cyklus na silně znečištěné nádobí.

Steam (Pára)

Tato možnost přidává během cyklu páru, aby se zlepšily výsledky mytí.

High Temp (Vysoká teplota)

Zvýší teplotu hlavního mytí nebo leštění, aby se zlepšila čistota.

- Zazní zvukový signál, který vás upozorní na případnou zbytkovou teplotu uvnitř spotřebiče. Před otevřením dvířek počkejte na úplné vychladnutí spotřebiče.

Extra Dry (Extra suché)

Zvolte tuto možnost pro lepší výsledky sušení. Tato možnost přidá čas cyklu sušení navíc a zvýší teplotu při leštění.

- V případě, že je dávkovač leštidla prázdný, zvolí se tato možnost automaticky.

Delay Start (Odložení startu)

Tato funkce zpožďuje začátek vybraného cyklu. Po každém stisknutí tlačítka **Delay Start (Odložení startu)** se čas zpoždění zvýší o jednu hodinu. Čas zpoždění lze nastavit od 1 do 12 hodin v krocích po 1 hodině.

- Pro zrušení této funkce spotřebič vypněte.
- Pokud chcete změnit možnosti cyklu a cyklus, otevřete dvířka a potom vyberte jiný cyklus a možnosti cyklu. Odpočítávání bude pokračovat.

Control Lock (Ovládací zámek)

Tato funkce pomáhá zabránit změnám nastavení během cyklu. Výběrem této funkce se uzamknou všechna tlačítka kromě tlačítka **Výkon** na ovládacím panelu. Tato funkce nezablokuje dveře.

- U modelů s externím displejem, když je cyklus spuštěn, stiskněte a podržte současně tlačítka **Half Load (Poloviční dávka)** a **Energy Saver (Spořič energie)** po dobu 3 sekund, abyste tuto funkci aktivovali nebo deaktivovali. U modelů se skrytým displejem otevřete dveře během provozu a postupujte podle stejných pokynů.
- Pokud je tato funkce aktivována, na displeji se zobrazí kód CL.
- Chcete-li spustit nový cyklus, vypněte tuto funkci.
- Tuto funkci lze nastavit kdykoliv zapnutím spotřebiče.

Wi-Fi

Stisknutím a podržením tlačítka **Delay Start (Odložení startu)** po dobu 3 sekund se připojíte k síti. Podrobné informace o této funkci naleznete v částech **INTELIGENTNÍ FUNKCE**.

Automatické otevření při sušení

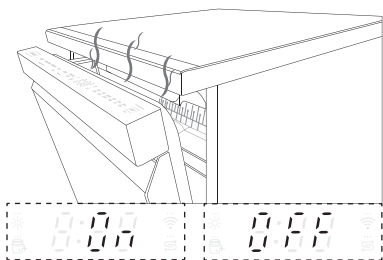
Tato funkce se může lišit v závislosti na zakoupeném modelu.

Na konci programu, který zahrnuje sušení, se dvířka automaticky otevřou, aby se zlepšily výsledky sušení.

- Chcete-li tuto funkci aktivovat nebo deaktivovat, stiskněte a podržte současně tlačítka **Energy Saver (Spořič energie)** a **High Temp (Vysoká teplota)** po dobu 3 sekund.
- Tato funkce není k dispozici, když je zvolen cyklus **Machine Clean (Čištění spotřebiče)** a **Rinse (Leštění)**.
- Pokud zvolíte možnost **Download Cycle (Stáhnout cyklus)**, tato funkce může pracovat, i když je deaktivována. Je to proto, protože je možnost **Download Cycle (Stáhnout cyklus)** navržena tak, aby dosahovala nejlepších

výsledků za konkrétním účelem bez ohledu na nastavení spotřebiče.

- Na displeji se zobrazí, zda je tato funkce zapnuta nebo vypnuta.



- Pokud spotřebič nezjistí, že byla otevřena dvířka, kontrolka se po 90 sekundách vypne.

⚠ VAROVÁNÍ

- Během provozu spotřebiče udržujte děti mimo dosah spotřebiče. Kontakt s párou a vysokou teplotou může způsobit opaření nebo popáleniny.

SignalLight™

Tato funkce se může lišit v závislosti na zakoupeném modelu.

SignalLight™ zobrazuje stav spotřebiče, jestli se vyskytl nějaký problém, jestli funguje normálně, nebo jestli je připraven k mytí nádobí.

- V závislosti na modelu může být kontrolka umístěna buď na přední straně spotřebiče nebo na vrchu dvířek.

Červená (vlevo)

Pokud se ve spotřebiči vyskytne chyba, rozsvítí se červená kontrolka. Další informace o chybě naleznete v části **Chybový kód** v oddílu **ODSTRAŇOVÁNÍ ZÁVAD**.

Bílá (uprostřed)

Při výběru volitelného cyklu nebo při pozastavení cyklu se rozsvítí bílá kontrolka.

- Když je cyklus spuštěn, rozsvítí se bílá kontrolka.

Zelená (vpravo)

Po dokončení cyklu se rozsvítí zelená kontrolka. Když jsou dvířka otevřená, kontrolka zhasne.

Tabulka programů

Průvodce programy

U modelů DF425***

Program	Úroveň znečištění	Mytí		Rinse (Máchání)		Sušit
		Předmytí	Hlavní mytí	Rinse (Máchání)	Horké leštění	
Auto	Všechny úrovně	●	● (65 - 70 °C)	●	● (62 °C) ^{*1} (70 °C) ^{*2}	●
Intensive (Intenzivní)	Silné	●	● (75 °C)	●	● (62 °C) ^{*1} (70 °C) ^{*2}	●
Delicate (Jemné)	Light (Lehké)	●	● (55 °C)	●	● (62 °C) ^{*1} (70 °C) ^{*2}	●
Refresh (Obnovení) ^{*1}		●		●	● (62 °C) ^{*1} (75 °C) ^{*2}	●
ECO	Střední	●	● (46 °C) ^{*1} (42 °C) ^{*2}	●	● (54 °C) ^{*1} (64 °C) ^{*2}	●
Turbo	Střední	●	● (65 °C)	●	● (62 °C) ^{*1} (65 °C) ^{*2}	
Express (Expresní)	Light (Lehké)	●	● (45 °C)	●	● (62 °C) ^{*1} (60 °C) ^{*2}	
Rinse (Leštění)	Light (Lehké)			●		
Machine Clean (Čištění spotřebiče)		●	● (50 °C)	●	● (70 °C)	●

*1 Funkce **Automatické otevření při sušení** je zapnutá.

*2 Funkce **Automatické otevření při sušení** je vypnutá.

POZNÁMKA

- Doba chodu se může lišit v závislosti na teplotě vody, teplotě okolí, tlaku vody a napětí.
 - Informace, že hodnoty uváděné pro jiné programy než je ekologický program, jsou pouze informativní.
 - Když je aktivována funkce **Automatické otevření při sušení**, teplota při horkém leštění se může lišit.
-

U modelů DF325*** / DF325**

Program	Úroveň znečištění	Mytí		Rinse (Máchání)		Sušit
		Předmytí	Hlavní mytí	Rinse (Máchání)	Horké leštění	
Auto	Všechny úrovně	●	● (65 - 70 °C)	●	● (70 °C)	●
Intensive (Intenzivní)	Silné	●	● (75 °C)	●	● (70 °C)	●
Delicate (Jemné)	Light (Lehké)	●	● (55 °C)	●	● (70 °C)	●
Refresh (Obnova) ^{*1}		●		●	● (75 °C)	●
ECO	Střední	●	● (42 °C)	●	● (64 °C)	●
Turbo	Střední	●	● (65 °C)	●	● (65 °C)	
Express (Expresní)	Light (Lehké)	●	● (45 °C)	●	● (60 °C)	
Rinse (Leštění)	Light (Lehké)			●		
Machine Clean (Čištění spotřebiče)		●	● (50 °C)	●	● (70 °C)	●

*1 Pro parní modely

POZNÁMKA

- Doba chodu se může lišit v závislosti na teplotě vody, teplotě okolí, tlaku vody a napětí.
- Informace, že hodnoty uváděné pro jiné programy než je ekologický program, jsou pouze informativní.

Nařízení pro Evropu (u modelů DF425***)

Program	Spotřeba vody*1	Spotřeba energie (kWh)*1	Trvání (min)*1
Auto	12,9	0,91 - 0,97	162
Intensive (Intenzivní)	23,1	1,60	185
Delicate (Jemné)	16,5	1,07	124
ECO	9,5	0,85	193
Refresh (Obnovení)	10,0	0,76	120
Turbo	18,5	0,84	78
Express (Expresní)	9,6	0,58	56
Rinse (Leštění)	6,6	0,01	18
Machine Clean (Čištění spotřebiče)	12	0,78	83

*1 Funkce **Automatické otevření při sušení** je zapnutá.

POZNÁMKA

- Uvedené údaje se mohou lišit v závislosti na podmínkách.

Nařízení pro Evropu (u modelů DF325*** / DF325**)

Program	Spotřeba vody	Spotřeba energie (kWh)	Trvání (min)
Auto	13,1	1,08 - 1,17	195
Intensive (Intenzivní)	23,9	1,76	185
Delicate (Jemné)	16,8	1,14	124
ECO	9,5	0,95	228
Refresh (Obnovení)*1	9,8	0,78	66
Turbo	18,8	0,87	59
Express (Expresní)	12,4	0,61	38
Rinse (Leštění)	6,5	0,01	18
Machine Clean (Čištění spotřebiče)	12,1	0,75	83

*1 Pro parní modely

POZNÁMKA

- Uvedené údaje se mohou lišit v závislosti na podmínkách.

POZNÁMKA

- Nařízení EU 2019/2022, platné od 1. března 2021, se vztahuje na třídy energetické účinnosti podle nařízení EU 2019/2017.
- Naskenujte QR kód na energetickém štítku dodávaném se spotřebičem, který obsahuje odkaz na web s informacemi, které se týkají výkonu spotřebiče v databázi EU EPREL. Energetický štítek si uschovejte společně s návodem k obsluze a všemi dalšími dokumenty dodanými se spotřebičem.
- Název modelu lze nalézt na typovém štítku spotřebiče. Otevřete dveře a podívejte se na pravou stranu dveří.
- Chcete-li najít stejné informace v EPREL, navštivte web <https://eprel.ec.europa.eu> a proveďte hledání pomocí názvu modelu. (Platí od 1. března 2021)

Dostupné možnosti

POZNÁMKA

- Možnost **Energy Saver (Spořič energie)** není k dispozici s možností **High Temp (Vysoká teplota)** nebo **Extra Dry (Extra suché)**.
- Možnost **Delay Start (Odložení startu)** lze vybrat ke každému programu mytí v této tabulce.

Pro neparní modely

Program	Dual Zone (Duální zóna)	Half Load (Poloviční dávka)	Energy Saver (Spořič energie)	High Temp (Vysoká teplota)	Extra Dry (Extra suché)
Auto	●	●	●	●	●
Intensive (Intenzivní)	●	●		●	●
Delicate (Jemné)		●	●		●
ECO	●	●	●	●	●
Turbo	●			●	●
Express (Expresní)	●			●	●
Rinse (Leštění)					
Machine Clean (Čištění spotřebiče)					
Download Cycle (Stáhnout cyklus)					

Pro parní modely

Program	Dual Zone (Duální zóna)	Half Load (Poloviční dávka)	Energy Saver (Spořič energie)	Steam (Pára)	High Temp (Vysoká teplota)	Extra Dry (Extra suché)
Auto	●	●	●	●	●	●
Intensive (Intenzivní)	●	●		●	●	●
Delicate (Jemné)		●	●	●		●
Refresh (Obnovení)				●		●
ECO	●	●	●	●	●	●
Turbo	●			●	●	●
Express (Expresní)	●				●	●
Rinse (Leštění)						
Machine Clean (Čištění spotřebiče)						
Download Cycle (Stáhnout cyklus)						

Informace pro provedení zkoušky

Pro modely s funkcí Automatické otevření při sušení

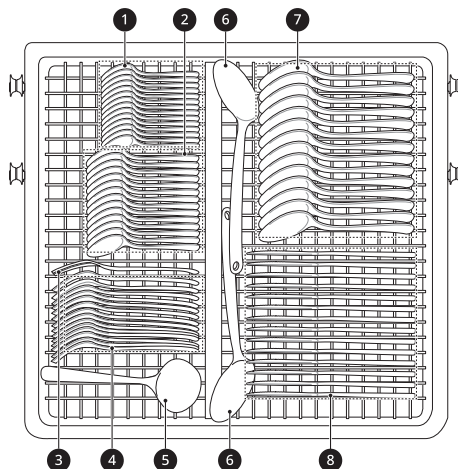
- Kapacita: 14 sad
- Porovnávací program: **ECO**
- Nastavení leštidla: L4
- Referenční čistič: 22 g čisticího prostředku do dávkovače.
- Výškově nastavitelná U poloha koše: Střed
- Nastavení **Automatické otevření při sušení**: Zapnuto
- Typ filtru: Manuální

Pro modely bez funkce automatického otevření při sušení

- Kapacita: 14 sad
- Porovnávací program: **ECO**
- Nastavení leštidla: L4
- Referenční čistič: 22 g čisticího prostředku do dávkovače.
- Výškově nastavitelná U poloha koše: Střed
- Typ filtru: Manuální

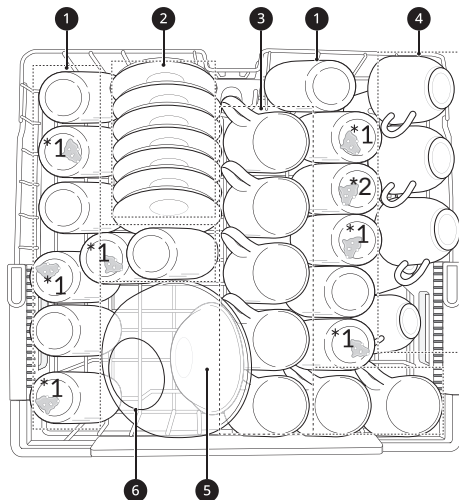
Vkládání nádobí

Košík na příbory



- 1 Čajové lžičky (bez znečištění)
- 2 Dezertní lžičky (bez znečištění)
- 3 Servírovací vidlička (bez znečištění)
- 4 Vidličky (vejce)
- 5 Naběračka na omáčku (bez znečištění)
- 6 Servírovací lžičky (bez znečištění)
- 7 Polévkové lžice (ovesné vločky)
 - Každá druhá polévková lžice je znečištěná.
- 8 Nože (bez znečištění)

Horní koš



1 Sklenice (mléko)

*1 Je tu 7 sklenic potřísněných mlékem.

*2 Mléčné sklo dle EN60704-2-3:2020

2 Podšálky (černý čaj)

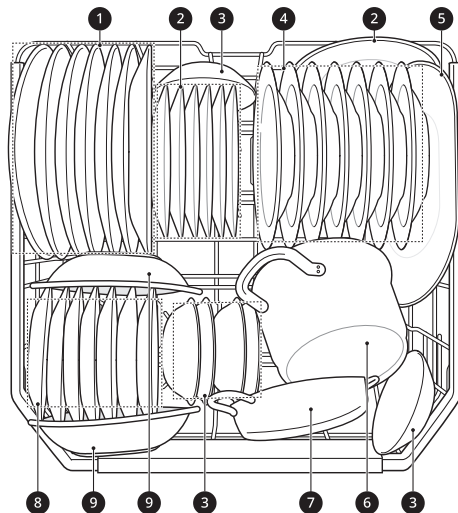
3 Hrníčky (černý čaj)

4 Šálky (černý čaj)

5 Dezertní mísa (ovesné vločky)

6 Skleněná mísa (maso)

Spodní koš



1 Mléké talíře (vejce)

2 Melaminové dezertní talíře (vejce)

3 Dezertní mísy (ovesné vločky)

4 Polévkové talíře (ovesné vločky)

5 Oválná mísa (maso)

6 Malý hrnec (špenát + margarín)

7 Hrnec do trouby (maso)

8 Dezertní talíře (špenát)

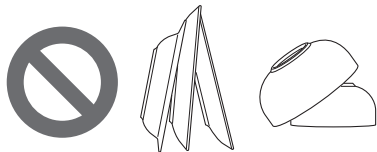
9 Melaminové mísy (margarín)

Vkládání nádobí do myčky

Chcete-li dosáhnout účinných výsledků mytí, vždy postupujte podle pokynů.

- Před vložením nádobí do myčky odstraňte zbytky jídel z talířů, včetně kostí, atd. Pokud se nádobí nebude mýt hned, talíře před vložením do myčky opláchněte.
- Připálené nádobí byste měli nechat před vložením do myčky odmočit.
- Hluboké nádobí umístějte vzhůru nohama.
- Plastové nádobí v porovnání s ostatním nádobím nebude schnout dobře.

- Ujistěte se, že se nádobí navzájem nedotýká.



Předměty nevhodné do myček nádobí

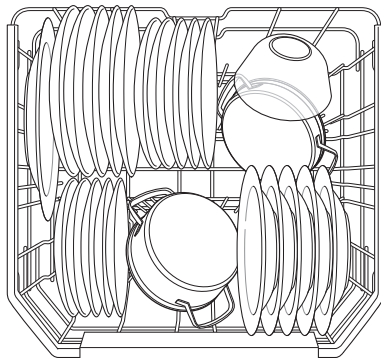
Kombinace vysoké teploty vody a čisticího prostředku o myček může některé předměty poškodit. Nemyjte následující předměty.

- Měď nebo eloxovaný hliník
- Porcelán s ručně malovanými stříbrnými nebo zlatými ozdobami
- Dřevěné náčiní nebo náčiní s kostěnou rukojetí
- Železné nebo nerezové nádoby
- Plastové nádoby nevhodné do myčky
- Drahé nádobí, například nádobí se stříbrným a zlatým lemem
- Křehké předměty, jako křišťálové skleničky

⚠ UPOZORNĚNÍ

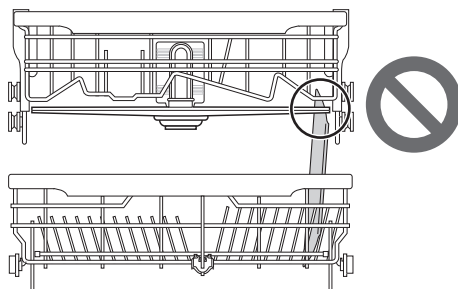
- Neumísťujte do spotřebiče hrnce ani pánve s plastovými držadly, protože stav držadel se může zhoršit vlivem tepla a čisticího prostředku.
- Vodotěsné nebo dlouhotrvající rtěnky rozmazané na sklenicích se nemusí během mytí odstranit.

Pokud si chcete usnadnit vkládání větších nádob, je možné přední řada zubů sklopit.



⚠ UPOZORNĚNÍ

- Ostřikovací ramena nesmí být blokována předměty, které jsou příliš vysoké nebo visí z košíků. Vyzkoušejte volný pohyb ostřikovacích ramen ručně jejich otáčením.



Vložení do spodního koše

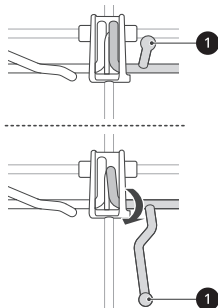
Denní dávka

Spodní koš je vhodný na velké talíře, polévkové mísy, nádoby, hrnce, pánve, pokličky a dokonce i grilovací mřížku.

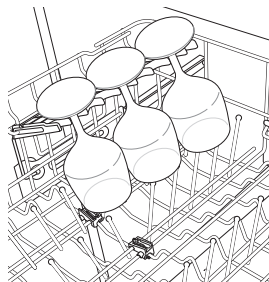
Talíře by měly být umístěny vzpřímeně a otočeny směrem ke středu koše a hrnce, pánve a velké nádoby musí být otočeny vzhůru nohama.

Sklopení zubů koše

Zuby koše sklopte dolů, aby se dovnitř vešly větší nádoby; pokud chcete vložit menší nádoby zuby vraťte zpět.



Stojany na sklenice poskytují podporu pro skleničky s dlouhou stopkou.



Levou řadu zubů lze sklopit směrem dolů, případně se stojany na sklenice dají vyjmout ven, abyste mohli uložit vysoké nádoby.

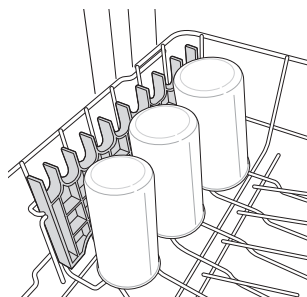
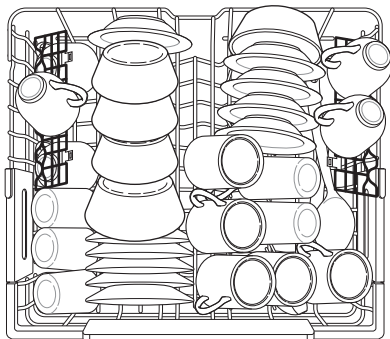
Vkládání do horního koše

Denní dávka

Horní koš je vhodný na jemné nádobí, jako jsou malé talíře, dlouhé příbory, šálky, sklenice a plastové nádoby.

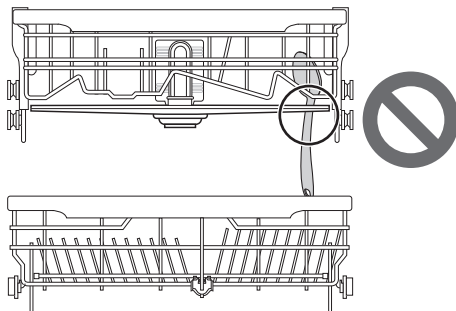
Hrnky, skleněné poháry a mísy musí být umístěny vzhůru nohama.

Talíře by měly být umístěny vzpřímeně.



⚠ UPOZORNĚNÍ

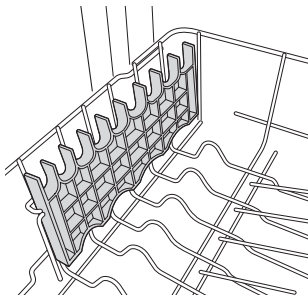
- Ostříkovací ramena nesmí být blokována předměty, které jsou příliš vysoké nebo visí z košíků. Vyzkoušejte volný pohyb ostříkovacích ramen ručně jejich otáčením.



Vyjmutí a výměna stojanů na sklenice

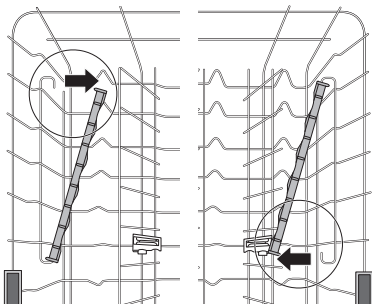
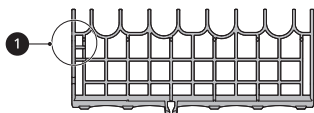
Levý a pravý stojan na sklenice jsou zaměnitelné a dají se vybrat.

- 1 Posuňte stojan na sklenice směrem dolů do zavřené polohy.

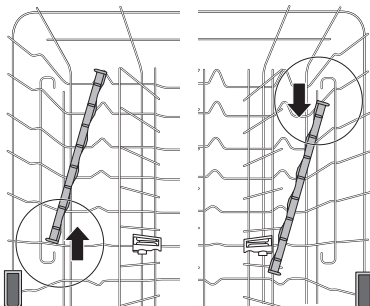


- 2 Umístěte montážní otvor ❶ na stojan na sklenice a pevně vyklopte stojan na opěrkou na této straně.

- Stojan na levé straně se uvolňuje směrem dozadu. Stojan na pravé straně se uvolňuje směrem dopředu.



- 3 Posuňte stojan na sklenice z opěrné tyče na opačnou stranu.

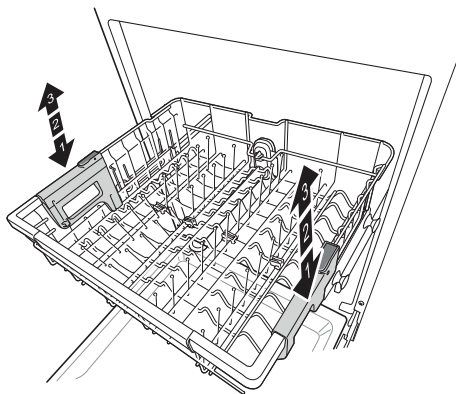


- 4 Stojan na sklenice vrátíte tak, že budete postupovat podle pokynů v opačném pořadí.

Nastavitelná výška horního koše

Výšku horního koše lze nastavit, pokud potřebujete vložit sklenice s dlouhými stopkami nebo vysoké nádoby.

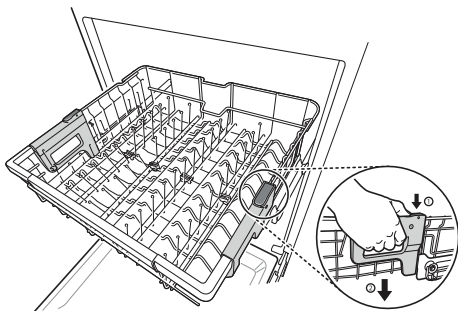
Abyste získali větší prostor, jsou pro nastavení výšky horního koše k dispozici tři polohy.



Snížení koše

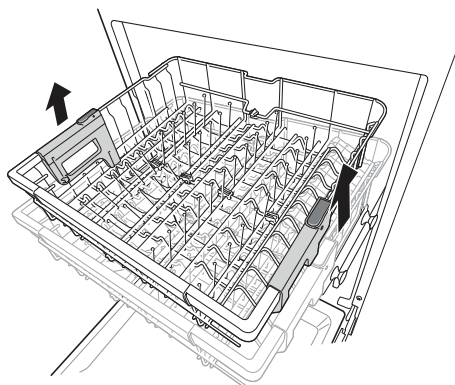
Uchopte koš uprostřed každé strany tak, abyste udrželi jeho váhu. Poté stiskněte tlačítko na každé

straně, abyste uvolnili koš a spustili ho do nižší polohy.



Zvednutí koše

Zvedněte koš uprostřed každé strany, dokud nebude nezajištěný na svém místě v horní poloze. K zvednutí koše není nutné zvedat blokovací páčky.



Možné rozměry talířů podle polohy horního koše

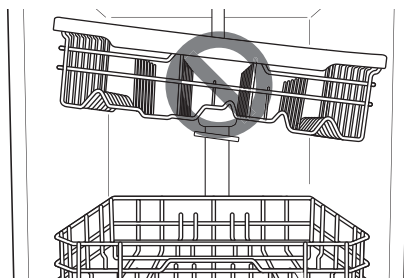
Poloha horního koše	Rozměr talířů (mm)		
	Horní koš		Spodní koš
	So stojane m na příbory	Bez stojanu na příbory	
Horní	165	215	300
Střední	193	243	272
Snížení	221	271	244

VAROVÁNÍ

- Před nastavením zkontrolujte, zda v koši není žádné nádobí. V opačném případě může dojít k poškození nádobí nebo k poranění.

POZNÁMKA

- Zvedněte horní koš, aniž byste stiskli tlačítka po stranách. Stisknutí tlačítek při zvedání koše zabrání tomu, aby koš zapadl ve své poloze.
- Chcete-li nastavit koš do střední polohy, může být jednodušší spustit koš úplně dolů a pak zvednout každou stranu koše jednotlivě, aby zapadl na své místo.



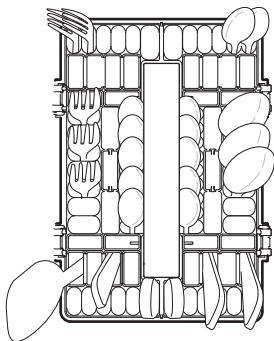
- Když se horní koš přesune do spodní polohy, jeho výška je 56 mm.
- Po nastavení úrovně koše zkontrolujte, zda se ostříkovací ramena mohou volně otáčet.
- Při spodní poloze horního koše zkontrolujte, zda spodní část horního koše včetně ostříkovacího ramene, nezasahuje do spodního koše.
- Když je horní koš ve spodní poloze, nejprve zasuňte horní koš a až potom spodní koš.
- Obdobně, nejdříve vytáhněte spodní koš a až potom horní koš.
- Když je horní koš ve spodní poloze, možná výška nádobí se liší podle modelu, zda je či není namontován stojan na příbory.

Vkládání do košíku na příbory

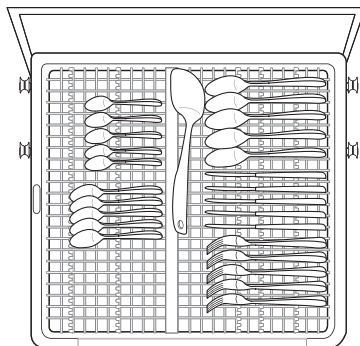
Denní dávka

V případě větších kusů náčiní, jako jsou šlehačkové metly, lze kryt otevřít vyklopením.

Umístěte vidličky a lžice do košíku na příbory s rukojetí směřující dolů.

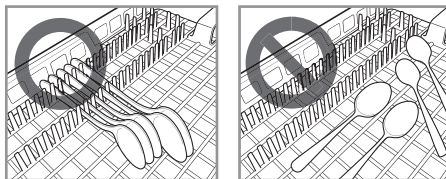


oddělit náčiní tak, aby nedošlo k jeho poškození a zlepšilo se čištění.



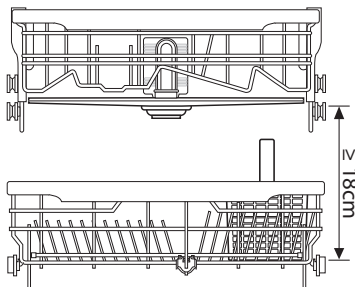
VAROVÁNÍ

- Abyste předešli zraněním, umístěte nože a jiné náčiní s ostrými hroty do košíku na příbory.
- Pokud je chcete vložit do košíku na příbory, umístěte je tak, aby ostré hroty směřovali dolů.

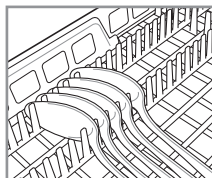


UPOZORNĚNÍ

- Nebraňte otáčení ostříkovacích ramen.
- Příbory by neměly být delší než 18 cm.



Pokud jsou rukojeti příborů příliš hrubé, pak je otočte tak, aby směřovaly opačným směrem.



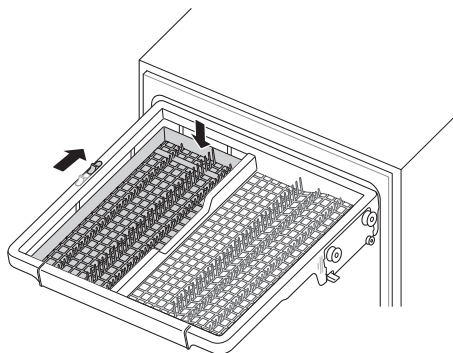
Výškově nastavitelný regál

Regál na levé straně může být nastaven do vysoké nebo nízké polohy, aby se do něj vešly nádoby nebo

Vkládání do stojanu na příbory

Stojan na příbory je nevhodnější použít na příbory a většinu náčiní určeného na vaření nebo servírování. Můžete ho také použít na malé misky a víka. Přepážky na stojanu na příbory pomáhají

přibory různých velikostí. Před nastavením regálu vyjměte nádoby. Posunutím páčky nastavte regál.

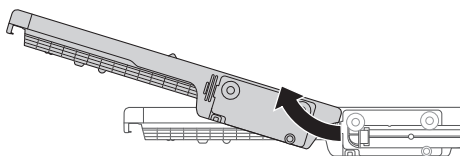


Vyjímání ze stojanu na přibory

Pokud potřebujete v horním koši více prostoru na větší předměty, je možné vybrat celý stojan na přibory.

Stojan na přibory vždy vyberte před vytažením celého koše.

Vytáhněte koš na konec vodících kolejí. Potom zvedněte přední část koše tak, aby se válečky zastavili na konci vodících kolejí. Nyní můžete koš potáhnout směrem dopředu a vybrat ho z kolejí.



⚠ VAROVÁNÍ

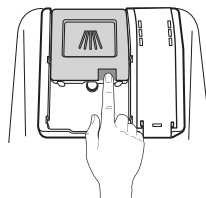
- Při vkládání a vykládání předmětů s ostrými hranami buďte opatrní. Ostré nože vkládejte tak, abyste snížili riziko poranění.

Přidání čistících prostředků

Přidání čistícího prostředku do dávkovače

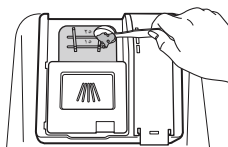
- Před prvním uvedením spotřebiče do provozu odstraňte štítek na dávkovači.
- Potřebné množství čistícího prostředku závisí na cyklu, velikosti dávky a míře znečištění.
- Vložte čistící prostředek do přihrádky na čistící prostředek před spuštěním jakéhokoli cyklu, kromě cyklu **Rinse (Leštění)**.

- 1 Kryt otevřete stisknutím tlačítka na víku dávkovače.

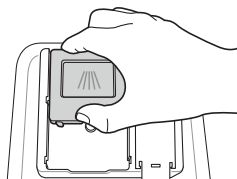


- 2 Do komory pro hlavní mytí přidejte čistící prostředek, dokud se úroveň nenachází mezi čarami označenými 15 a 25.

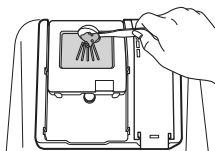
- V případě tvrdé vody nebo silně znečištěného nádobí naplňte prostředek po čáru 25.
- V případě měkké vody nebo slabě znečištěného nádobí naplňte prostředek po čáru 15.



- 3 Zatlačte víko přihrádky na čistící prostředek, aby se víko zavřelo tak, že zacvakne.



- 4 Pokud je třeba předmytí, naplňte připojenou přihrádku na předmytí, která se nachází na víku přihrádky s čistícím prostředkem.



- Abyste předešli poškození spotřebiče, netahejte při zavírání dvířek spotřebiče za dávkovač.



Program	Množství čistícího prostředku
	Hlavní mytí (dávkovač)
Auto	20 g
Intensive (Intenzivní)	20 g
Delicate (Jemné)	20 g
Refresh (Obnovení)	-
ECO	22 g
Turbo	20 g
Download Cycle (Stáhnout cyklus)	20 g
Machine Clean (Čištění spotřebiče)	20 g
Rinse (Leštění)	-
Express (Expresní)	20 g

- Použití nevhodného čistícího prostředku a leštidla může vést k riziku poškození, koroze, špatných výsledků mytí, špatného sušení nebo úniku vody.
- Používejte pouze čistící prostředky a leštidla, které byly stanoveny jako standardní. Použití jiných čistících prostředků a leštidel může představovat riziko poškození, koroze, špatných výsledků mytí, špatného sušení a úniku vody.
- Pokud je použito příliš mnoho čistícího prostředku, může vznikat příliš mnoho pěny. To by mohlo způsobit únik pěny a znečištění nádobí v myčce skvrnami.

POZNÁMKA

- Příliš mnoho čistícího prostředku může zanechat na nádobí a ve vnitřní části myčky povlak a vést ke špatným výsledkům mytí.
- Po umytí zkontrolujte, zda byl čistící prostředek zcela vymytý.
- Některé tablety do myček nádobí mohou uvíznout v dávkovači kvůli nadměrné velikosti. Tablety proto můžete před zahájením cyklu umístit na spodní část vnitřního prostoru myčky vedle filtru.
- Do spotřebiče nikdy nepřidávejte tekutý čistící prostředek.
- U cyklu **Express (Expresní)** se nedoporučuje používat čistící tablety. Použití čistících tablet může způsobit, že zbytky čistícího prostředku zůstanou na nádobí v důsledku relativně nízké teploty při oplachování.

VAROVÁNÍ

- Prostředek na mytí nádobí a leštadlo obsahují chemické složky, stejně jako všechny ostatní čistící prostředky do domácnosti. Proto musí být uchovávány mimo dosah dětí.

UPOZORNĚNÍ

- Používejte pouze čistící prostředek určený pro myčky. Nesprávný čistící prostředek může způsobit, že se spotřebič během provozu naplní pěnou. Nadměrná pěnivost může snížit výsledky mytí a může způsobit únik vody ze spotřebiče.

Doplňování

Chcete-li zachovat účinné výsledky sušení, pravidelně kontrolujte a doplňujte leštidlo.

Chcete-li zachovat účinné výsledky mytí, pravidelně kontrolujte a doplňujte sůl do myčky.

Kontrola leštidla

Když se rozsvítí ikona ☼, znamená to, že je téměř prázdná přihrádka na leštidlo. Pokud je to nutné, doplňte přihrádku na leštidlo.

Kontrola soli do myčky

Po doplnění soli do myčky byste měli použít program na mytí, ale bez nádobí, protože sůl rozsypaná uvnitř spotřebiče může způsobit korozi nebo poškození spotřebiče, pokud byste ho nechali neumytý.

Když se rozsvítí ikona S, znamená to, že je téměř prázdná přihrádka na sůl. V případě potřeby doplňte přihrádku na sůl.

⚠ UPOZORNĚNÍ

- Do přihrádky na změkčovač vody nepřidávejte žádný čisticí prostředek ani jiný roztok kromě soli do myčky. V opačném případě dojde k poruše systému změkčování vody.

Užitečné rady

Sušení

- Plastové předměty mohou ve srovnání s jinými předměty způsobit špatné výsledky sušení.
- Abyste usnadnili sušení, můžete po cyklu na krátkou dobu otevřít dveře.

POZNÁMKA

- Ujistěte se, že se nádobí navzájem nedotýká.
- Pokud výsledky sušení nejsou dobré nebo pokud na nádobí zůstávají skvrny od vody, přidejte možnost **Extra Dry (Extra suché)** nebo nastavte jinou úroveň leštění.

- Pokud používáte typ tablet (2 v 1, 3 v 1) s čisticím prostředkem, může být potřeba přidat dodatečné leštění v závislosti na objemu nádobí, v tomto případě použijte volbu **Extra Dry (Extra suché)** nebo nastavte úroveň leštění.

Vyložení myčky

- Před vyložení nádobí zkontrolujte, zda nádobí vychladlo natolik, že jej lze vyjmout rukama.
- Nejdříve vyprázdněte spodní koš a pak horní koš. Zabráníte tak kapání vody z horního koše na nádobí pod ním.

⚠ VAROVÁNÍ

- Nevytahujte oba plně naložené koše současně, spotřebič by se mohl převrátit. Vykládejte koše po jednom.

INTELENTNÍ FUNKCE

Aplikace LG ThinQ

Aplikace **LG ThinQ** vám umožňuje komunikovat se spotřebičem pomocí smartphonu.

Funkce aplikace LG ThinQ

Se spotřebičem komunikujte pomocí smartphonu a použijte příslušné chytré funkce.

Monitoring

Tato funkce kontroluje aktuální stav, cyklus, dobu spuštěných možností a čas ukončení cyklu v aplikaci na jedné obrazovce.

Download Cycle (Stáhnout cyklus)

Do spotřebiče si můžete stáhnout nové a speciální cykly, které nejsou součástí základních cyklů.

Spotřebiče, které byly úspěšně zaregistrovány, mohou stahovat řadu speciálních programů specifických pro dané zařízení.

Ve spotřebiči může být současně uložen pouze jeden program.

Po dokončení stažení cyklu si spotřebič ponechá stažený cyklus, dokud se nestáhne nový cyklus.

Připomínka čištění spotřebiče

Tato funkce ukazuje, kolik cyklů zbývá předtím, než je čas na spuštění cyklu **Machine Clean (Čištění spotřebiče)**.

Smart Diagnosis

Tato funkce poskytuje užitečné informace pro zjištění a vyřešení potíží se spotřebičem na základě vzorce jeho používání.

Nastavení

Umožňuje nastavit různé možnosti na spotřebiči a v aplikaci.

Upozornění na zprávy Push

Když je cyklus dokončen nebo má spotřebič problémy, máte možnost přijímat vyskakovací oznámení na smartphonu. Oznámení se spouští, i když je aplikace **LG ThinQ** vypnutá.

POZNÁMKA

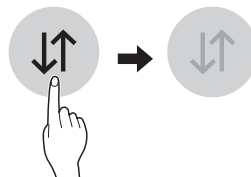
- Pokud změníte bezdrátový router, poskytovatele internetových služeb nebo heslo, smažte

registrovaný spotřebič z aplikace **LG ThinQ** a znovu ji zaregistrujte.

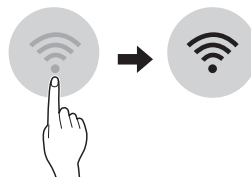
- Aplikace podléhá změnám za účelem zlepšení jejích funkcí bez předchozího upozornění pro uživatele.
- Funkce se mohou lišit v závislosti na modelu.

Před použitím aplikace LG ThinQ


- 1 Zkontrolujte vzdálenost mezi zařízením a WiFi routerem (WiFi síť).
 - Pokud jsou přístroj a bezdrátový router od sebe příliš daleko, síla signálu slábne. Registrace může trvat dlouho nebo může selhat instalace.
- 2 Vypněte **Mobilní data** nebo **Data telefonu** ve vašem chytrém telefonu.



- 3 Připojte smartphone k bezdrátovému routeru.



POZNÁMKA

- Chcete-li ověřit připojení Wi-Fi, zkontrolujte, zda je ikonka  na ovládacím panelu rozsvícená.
- Zařízení podporuje pouze WiFi síť o frekvenci 2,4 GHz. Pokud si chcete ověřit frekvenci své sítě, kontaktujte poskytovatele internetových služeb nebo nahlédněte do návodu k vašemu routeru.

POZNÁMKA

- Aplikace **LG ThinQ** není odpovědná za žádné potíže se síťovým připojením ani za případné poruchy, závady nebo chyby způsobené síťovým připojením.
- Pokud má přístroj potíže s připojením k síti Wi-Fi, může být příliš daleko od routeru. Sílu signálu Wi-Fi zlepšíte zakoupením Wi-Fi extenderu (prodlužovače dosahu).
- Připojení Wi-Fi nemusí fungovat nebo může být přerušeno z důvodu prostředí domácí sítě.
- Síťové připojení nemusí fungovat správně v závislosti na poskytovateli internetových služeb.
- Okolní bezdrátové prostředí může zpomalit služby bezdrátové sítě.
- Přístroj nemusí být zaregistrován v důsledku problémů s přenosem bezdrátového signálu. Odpojte přístroj ze sítě, počkejte asi minutu a zkuste to znovu.
- Pokud je na vašem bezdrátovém routeru povolena firewall brána, zakažte ji nebo přidejte výjimku.
- Název bezdrátové sítě (SSID) musí být kombinace anglických písmen a čísel (nepoužívejte speciální znaky).
- Uživatelské rozhraní (UI) smartphonu se může lišit v závislosti na operačním systému (OS) a výrobci.
- Je-li bezpečnostní protokol routeru nastaven na hodnotu **WEP**, nemusí se vám podařit nastavit síť. Změňte ho na jiné bezpečnostní protokoly (doporučujeme **WPA2**) a znovu výrobek zaregistrujte.

Instalování aplikace LG ThinQ

Na chytrém telefonu přejděte do obchodu Google Play Store & Apple App Store a vyhledejte aplikaci **LG ThinQ**. Podle pokynů si aplikaci stáhněte a nainstalujte.

Deaktivace síťového připojení

Odpojte se na smartphonu od domácí sítě Wi-Fi.

- 1 Spustte aplikaci **LG ThinQ**.
- 2 Vyberte a dotkněte se v aplikaci možnosti **Dishwasher** (Myčka nádobí).
- 3 Vyberte a dotkněte se v nabídce nastavení možnosti **Delete Product** (Odstranit produkt), čímž se odpojíte.

Technické parametry modulu pro bezdrátovou síť LAN

Model	LCW-003
Frekvenční rozsah	2412 až 2472 MHz
Výstupní výkon (max.)	IEEE 802.11b: 18.37 dBm IEEE 802.11g: 17.67 dBm IEEE 802.11n: 17.67 dBm

Verze softwaru bezdrátové funkce : V 1.0

S ohledem na zákazníka by toto zařízení mělo být instalováno a provozováno s minimální vzdáleností 20 cm mezi přístrojem a tělem.

Prohlášení o shodě



Společnost LG Electronics tímto prohlašuje, že myčka na nádobí rádiového typu je v souladu se směrnicí 2014/53/EU. Úplné znění prohlášení o shodě s předpisy EU je k dispozici na internetové adrese:

<http://www.lg.com/global/support/cedoc/cedoc#>
LG Electronics European Shared Service Centre B. V.

Krijgsman 1, 1186 DM Amstelveen, Nizozemsko



Informační upozornění k softwaru s otevřeným zdrojovým kódem

Chcete-li získat zdrojový kód na základě licence GPL, LGPL, MPL a dalších licencí k softwaru s otevřeným zdrojovým kódem, který tento výrobek obsahuje, navštivte webový server <http://opensource.lge.com>.

Kromě zdrojového kódu si lze stáhnout všechny zmiňované licenční podmínky, vyloučení záruky a upozornění na autorská práva.

Společnost LG Electronics vám také poskytne otevřený zdrojový kód na disku CD-ROM za poplatek pokrývající náklady na distribuci (např. cenu média, poplatky za dopravu a manipulaci), a to na základě žádosti zasláné e-mailem na adresu opensource@lge.com. Tato nabídka platí po dobu tří let od posledního odeslání produktu. Tato nabídka platí pro každého, kdo obdrží tuto informaci.

Smart Diagnosis (Inteligentní diagnostika)

Tato funkce je k dispozici pouze u modelů s logem  nebo .

Pomocí této funkce můžete diagnostikovat a vyřešit problémy se svým spotřebičem.

POZNÁMKA

- Z důvodů, které nelze přičíst nedbalosti společnosti LG, služba nemusí fungovat příčinou vnějších faktorů, jako je například, ale nikoliv výhradně, nedostupnost Wi-Fi, odpojení Wi-Fi, zásady místního obchodu s aplikacemi nebo nedostupnost aplikace.
- Funkce může být změněna bez předchozího upozornění a může mít jinou podobu v závislosti na tom, kde se nacházíte.

Použití LG ThinQ k diagnostice problémů

Pokud se u spotřebiče vybaveného Wi-Fi vyskytne problém, mohou se pomocí aplikace **LG ThinQ**

přenést údaje potřebné k řešení problému do smartphonu.

- Spustte aplikaci **LG ThinQ** a v nabídce vyberte funkci **Smart Diagnosis**. Postupujte podle pokynů v aplikaci **LG ThinQ**.



Použití zvukové diagnostiky k diagnostice problémů

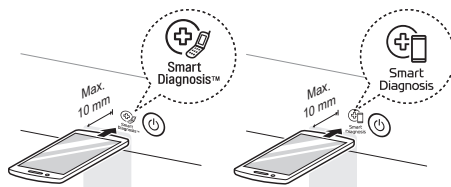
Chcete-li použít zvukovou diagnostiku, postupujte podle pokynů uvedených níže.

- Spustte aplikaci **LG ThinQ** a v nabídce vyberte funkci **Smart Diagnosis**. Postupujte podle pokynů pro zvukovou diagnostiku uvedených v aplikaci **LG ThinQ**.

1 Stiskněte tlačítko **Výkon** a zapněte spotřebič.

- Nemačkejte žádná jiná tlačítka.

2 Umístěte náustek smartphonu do blízkosti loga  nebo .



3 Stiskněte a podržte tlačítko **Download Cycle (Stáhnout cyklus)** po dobu 3 sekund nebo déle a náustek smartphonu mezitím držte u loga, dokud není přenos dat dokončen.

- Držte smartphone na místě, dokud přenos dat neskončí. Zbývající čas pro přenos dat je zobrazen.

4 Po dokončení přenosu údajů se v aplikaci zobrazí diagnóza.

POZNÁMKA

- Pro dosažení nejlepších výsledků nehybejte se smartphonem, dokud je přenos tónů aktivní.

Péče o zákazníky a servis

Kontaktujte zákaznické informační centrum společnosti LG Electronics.

- Chcete-li najít autorizovaný servis společnosti LG Electronics, navštivte náš web **www.lg.com** a postupujte podle zde uvedených pokynů.
- Oprava vlastními silami se nedoporučuje, protože by mohla spotřebič více poškodit a způsobit zneplatnění záruky.
- Náhradní díly uvedené v nařízení 2019/2022 jsou k dispozici po dobu minimálně 7 let.

ÚDRŽBA

Abyste zachovali výkon a zabránili problémům, pravidelně kontrolujte vnější a vnitřní části spotřebiče, včetně filtrů a ostříkovačích ramen.

VAROVÁNÍ

- Při čištění vnější a vnitřní strany spotřebiče nepoužívejte žádné roztoky na bázi rozpouštědel, jako jsou ředidla nebo aceton. Může to způsobit požár nebo výbuch.

POZNÁMKA

- Zabraňte vniknutí zvířat k napájecímu kabelu nebo hadici na vodu.

Čištění a péče

Čištění vnějšího pláště pračky

Ve většině případů je možné vnější povrch spotřebiče vyčistit měkkým vlhkým hadříkem nebo houbou a pak je osušit měkkým hadříkem. Pokud je vnější část spotřebiče z nerezavějící oceli, použijte čisticí prostředek na nerezovou ocel.

UPOZORNĚNÍ

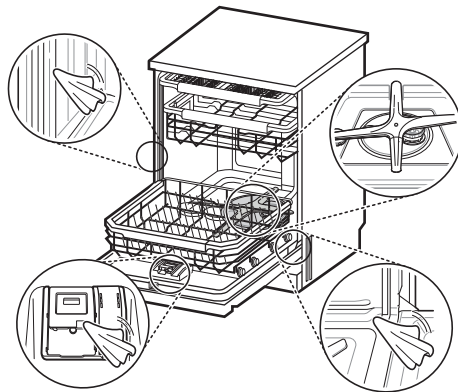
- Pokud se na vnější stranu výrobku vylije olej na vaření, okamžitě jej otřete. Vnější části výrobku nečistěte čisticími prostředky, které obsahují alkohol, ředidla, bělidla, benzen, hořlavé kapaliny nebo abrazivní látky. Tyto látky mohou způsobit změnu barvy nebo poškození spotřebiče.

Čištění vnitřního prostoru

Vnitřní prostor, ostříkovačí ramena nebo filtry se doporučuje čistit jednou za dva týdny.

Vnitřní prostor spotřebiče pravidelně čistěte měkkým, vlhkým hadříkem nebo houbou, abyste odstranili zbytky jídla a nečistoty.

Po ukončení mytí mohou zbytky jídla uvíznout v úzkých mezerách uvnitř spotřebiče. Vyčtete ven všechny zbytky jídla.



POZNÁMKA

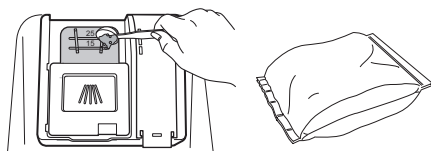
- Pokud jste spotřebič delší dobu nepoužívali, obnovte jeho fungování spuštěním programu **Turbo** nebo **Machine Clean (Čištění spotřebiče)** s čisticím prostředkem. Po ukončení cyklu vyčistěte vnitřní i vnější části spotřebiče podle pokynů k **ÚDRŽBĚ**.

Čištění spodní části vnitřního prostoru

Použití kyseliny citronové

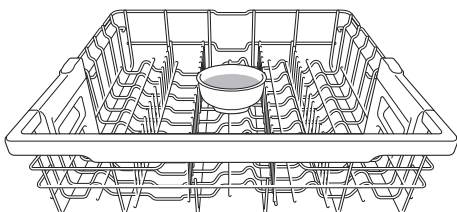
Vyjměte ze spotřebiče všechno nádobí, košík na příbor a držák košíku na příbory. Uvnitř myčky by měl zůstat pouze spodní a horní koš. Abyste dosáhli co nejlepších výsledků, použijte kyselinu citronovou v prášku (najdete ji v zavařovací sekci ve většině supermarketů nebo online). Změřte 3 polévkové lžičky (45 g) prášku kyseliny citronové.

Naplňte přihrádku na hlavní mytí odměřeným množstvím prášku.



Použití bílého octa

Pokud neseženete kyselinu citronovou v prášku, nalijte do mělké misky přibližně 3/4 - 1 1/4 šálku (200 - 300 ml) bílého octa a umístěte ji do horního koše. Spusťte cyklus **Auto**. Nepoužívejte čisticí prostředek. Po dokončení cyklus spusťte ještě jednou.



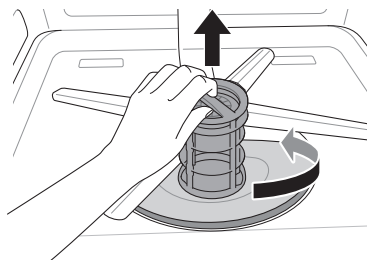
⚠ UPOZORNĚNÍ

- Nelijte ocet přímo na základnu.
- Nadměrné používání octa může způsobit poškození spotřebiče.

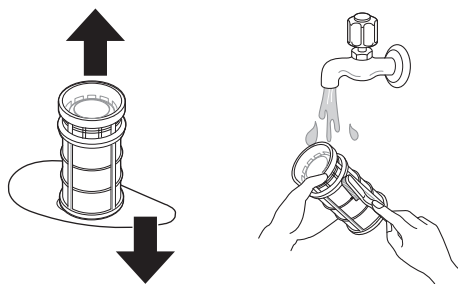
Čištění filtrů

- 1 Vyberte spodní koš a umístěte spodní ostříkovací rameno tak, aby širší svar směřoval dopředu.

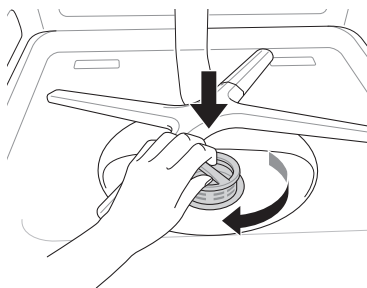
- 2 Vnitřní filtr otočte proti směru hodinových ručiček a vyjměte smontovaný vnitřní filtr a filtr z nerezové oceli.



- 3 Filtry vyčistěte měkkým kartáčkem pod tekoucí vodou. Před opětovnou instalací filtrů filtry znovu smontujte.



- 4 Chcete-li vyměnit smontované filtry, umístěte ostříkovací rameno tak, aby širší svar směřoval dopředu. Filtry vložte zpět do držáku filtrů a zajistěte je otočením vnitřního filtru ve směru hodinových ručiček, dokud nezapadne na své místo.



⚠ VAROVÁNÍ

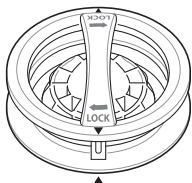
- Při manipulaci s filtrem z nerezové oceli si dejte pozor na ostré hrany.

⚠ UPOZORNĚNÍ

- Po použití spotřebiče se části potravin filtrují filtry. Jakékoliv neodstraněné zbytky potravin mohou způsobovat zápach. Kromě toho může vzniknout problém s odtokem v důsledku zbytků potravin uvízlých ve filtrech.

POZNÁMKA

- Při montáži jím pevně otáčejte, dokud nezapadne.

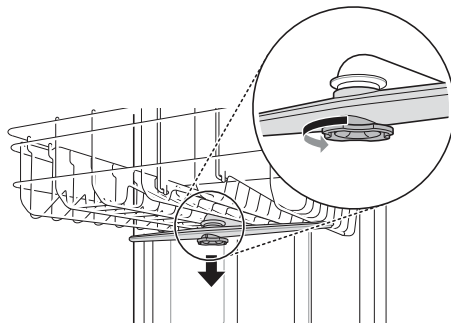


⚠ UPOZORNĚNÍ

- Abyste předešli zlomení koncových částí ostříkovacího ramene, netahejte za rameno ani jej ručně neotáčejte.

Čištění horního ostříkovacího ramene

- Vytáhněte horní koš směrem dopředu. Ujistěte se, že otvory pro proud vody nejsou ucpané částecami jídel.
- Pokud je potřeba čištění, odmontujte horní ostříkovací rameno otočením matice na spodní straně ostříkovacího ramene o 1/8 otáčky proti směru hodinových ručiček a zatažením ramene směrem dolů.

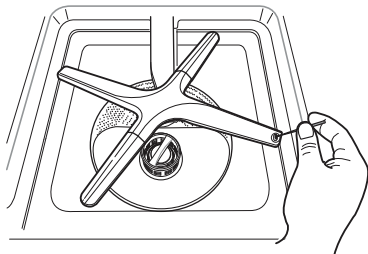


Čištění ostříkovacích ramen

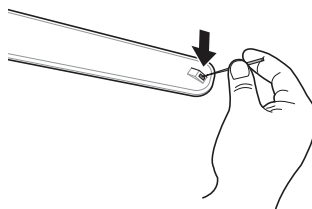
Pokud jsou otvory ostříkovacího ramene ucpané zbytky jídla, nádobí se kvůli nesprávnému postříkávání vodou nemusí dobře vyčistit.

Čištění spodního ostříkovacího ramene

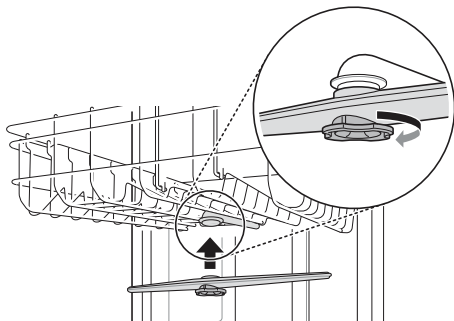
- Ujistěte se, že otvory pro proud vody nejsou ucpané částecami jídel.
- Pokud jakékoliv zbytky jídla blokují otvory ostříkovacího ramene, odstraňte je kolíkem nebo jiným ostrým nástrojem.



- Odstraňte částecy jídel tak, že rameno opláchnete nebo jím potřesete.
- Pokud jakékoliv zbytky jídla blokují otvory ostříkovacího ramene, odstraňte je kolíkem nebo jiným ostrým nástrojem.



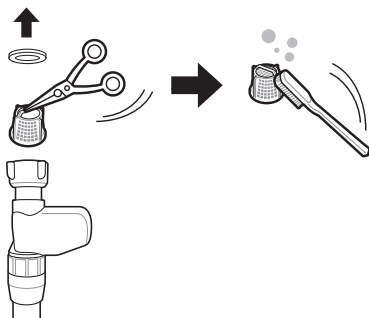
- 5** Po odstranění zbytků jídel vyčistěte otvory ostřikovacích ramen pod tekoucí vodou.
- 6** Po vyčištění horního ostřikovacího ramene zasuňte rameno na místo. Otočte maticí o 1/8 otáčky ve směru hodinových ručiček a ujistěte se, že matice zapadla zpět na své místo.



- 7** Po montáži zkontrolujte, zda se ostřikovací ramena volně otáčejí.

Čištění filtru hadice pro přívod vody

- 1** Vytáhněte spotřebič ze zásuvky.
- 2** Zavřete vodovodní kohoutek.
- 3** Odšroubujte hadici pro přívod vody.
- 4** Odstraňte těsnění a plastový filtr tak, že je uchopíte kleštičkami nebo nůžkami.



- 5** Namontujte filtr a těsnění a ujistěte se, že správně sedí.
- 6** Hadici pro přívod vody namontujte a zajistěte na místě v opačném pořadí. K dotažení hadice nepoužívejte žádné mechanické zařízení. K utažení rukou můžete použít měkký hadřík.

POZNÁMKA

- Do vstupu hadice pro přívod vody je namontován filtr.
- Pokud do spotřebiče neteče dostatečné množství vody, zkontrolujte, zda není filtr ucpaný.
- Pokud dojde k úniku, je nutné zkontrolovat, zda je přívodní hadice správně připojena.
- Nikdy neutahujte ventil přívodu vody příliš silně ani nepoužívejte k dotažení mechanická zařízení.
- Při opětovné montáži těsnění a filtru dbejte na to, aby byly bez nečistot a usazenin, které by mohly pocházet z přívodu vody.

Sezónní údržba a skladování

- Pokud budete během teplejších měsíců po delší dobu nepřítomni, zavřete ventil vody a odpojte napájecí kabel nebo vypněte jistič. Vyčistěte filtr, vnitřní část spotřebiče a dávkovač, abyste zabránili vzniku zápachu.
- Pokud budete v chladnějších měsících po delší dobu nepřítomni a hrozí možnost mrazu, zazimujte přívod vody a samotný spotřebič. Zazimování musí provést kvalifikovaný servisní personál.

ODSTRAŇOVÁNÍ ZÁVAD

Před volání servisu

Provoz přístroje může vést k chybám a poruchám. Následující tabulky obsahují možné příčiny a poznámky k řešení chybového hlášení nebo poruchy. Většinu problémů můžete napravit sami, a tím ušetřit čas a peníze, protože nemusíte kontaktovat servisní středisko společnosti LG Electronics. Následující tabulka by vám měla pomoci při odstraňování problémů.

Chybové kódy

Spotřebič je vybaven systémem automatického monitorování chyb, který pomáhá rozpoznat a diagnostikovat problémy v počátečním stadiu. Pokud není provoz vašeho spotřebiče bezproblémový nebo pokud spotřebič vůbec nefunguje, zkontrolujte před voláním servisního střediska LG Electronics následující tabulky:

Příznaky	Možná příčina a řešení
I E	<p>Problém s přívodem vody.</p> <ul style="list-style-type: none"> Zkontrolujte, zda není ucpaná, zauzlená nebo zmrzlá přívodní hadice. Zkontrolujte přívod vody.
DE	<p>Problém s odtokem.</p> <ul style="list-style-type: none"> Zkontrolujte, zda není ucpaná, zauzlená nebo zmrzlá odtoková hadice.
	<p>Odtokové hrdlo je ucpané.</p> <ul style="list-style-type: none"> Odstraňte ucpaní z odtokového hrdla.
	<p>Filtry jsou ucpané.</p> <ul style="list-style-type: none"> Vyčistěte filtry.
bE	<p>Nadměrné pění způsobené nevhodným čisticím prostředkem, například tekutým prostředkem na mytí nádobí.</p> <ul style="list-style-type: none"> Nepoužívejte tekuté prostředky na mytí nádobí. Používejte pouze čisticí prostředky určené pro použití v automatických myčkách nádobí. Chcete-li odstranit zbytky čisticího prostředku z vnitřku myčky, nalijte přibližně 100 - 200 ml mléka do mělké misky, vložte ji do horního koše a spusťte cyklus Auto spotřebiče.
	<p>Chyba vyrovnání spotřebiče.</p> <ul style="list-style-type: none"> Ujistěte se, že spotřebič je správně vyrovnán.
HE	<p>Porucha okruhu ohříváče</p> <ul style="list-style-type: none"> Pokud se stejný problém objeví znovu, obraťte se na servisní středisko.
FE	<p>Nadměrný přívod vody.</p> <ul style="list-style-type: none"> Pokud se stejný problém objeví znovu, obraťte se na servisní středisko.
RE	<p>Problém s únikem vody</p> <ul style="list-style-type: none"> Pokud se stejný problém objeví znovu, obraťte se na servisní středisko.

Příznaky	Možná příčina a řešení
ŁE	Porucha termistoru <ul style="list-style-type: none"> • Pokud se stejný problém objeví znovu, obraťte se na servisní středisko.
LE	Porucha motoru <ul style="list-style-type: none"> • Pokud se stejný problém objeví znovu, obraťte se na servisní středisko.
nE	Porucha variabilního motoru <ul style="list-style-type: none"> • Pokud se stejný problém objeví znovu, obraťte se na servisní středisko.

Obsluha

Příznaky	Možná příčina a řešení
Hluk	Některé úrovně hluku jsou během provozu normální. <ul style="list-style-type: none"> • Otevření krytu čistícího prostředku. • Odtokové čerpadlo na začátku cyklu vypouštění.
	Spotřebič není vyrovnaný. <ul style="list-style-type: none"> • Nastavte nivelační nohy.
	Rameno trysky naráží na nádobí. <ul style="list-style-type: none"> • Umístěte nádobí jinak.
	Tlak vody je příliš vysoký. <ul style="list-style-type: none"> • Nastavte tlak vody.
Spotřebič nefunguje.	Dveře nejsou úplně zavřené. <ul style="list-style-type: none"> • Spotřebič znovu vyrovnejte.
	Přívod elektrické energie nebo napájecí kabel nejsou připojeni. <ul style="list-style-type: none"> • Správně připojte napájecí kabel nebo přívod elektrické energie.
	Pokud je aktivována funkce Control Lock (Ovládací zámek), zobrazí se na displeji kód CL. <ul style="list-style-type: none"> • Deaktivujte tlačítko Control Lock (Ovládací zámek). • Chcete-li tuto funkci aktivovat nebo deaktivovat, stiskněte a podržte současně tlačítka Half Load (Poloviční dávka) a Energy Saver (Spořič energie) po dobu 3 sekund.
	Vypálená pojistka nebo vypnutý jistič. <ul style="list-style-type: none"> • Vyměňte pojistku nebo resetujte jistič.
Spotřebič nepřetržitě pípá, když jsou dveře otevřené, během cyklu nebo hned po jeho ukončení.	Obsah spotřebiče je horký a při vkládání rukou do spotřebiče byste měli být opatrní. <ul style="list-style-type: none"> • Zavřete dvířka, dokud spotřebič a nádobí nevychladnou. Pípání se zastaví, když budou dvířka zavřena nebo když se teplota uvnitř spotřebiče sníží.

Příznaky	Možná příčina a řešení
Voda po ukončení cyklu zůstane v odtokové nádrži.	<p>Odtoková hadice je zalomená nebo zanesená.</p> <ul style="list-style-type: none"> • Upravte nebo vyčistěte hadici. <p>Voda může zůstat uvnitř, pokud vypadne napájení před běžným koncem cyklu nebo je manuálně odpojeno.</p> <ul style="list-style-type: none"> • Spustte znovu cyklus.
Ostříkovací ramena se neotáčejí hladce.	<p>Otvory ostříkovacích ramen jsou ucpané kousky jídel.</p> <ul style="list-style-type: none"> • Vyčistěte otvory ostříkovacích ramen.
Horní koš je nakřivo.	<p>Koš je špatně nastaven.</p> <ul style="list-style-type: none"> • Viz Nastavení výšky horního koše.
Kontrolky se nerozsvítí.	<p>Napájení není připojeno.</p> <ul style="list-style-type: none"> • Připojte zdroj napájení.
Uvnitř spotřebiče je nadměrná pěna.	<p>Nebyl použit čisticí prostředek určený výhradně pro spotřebič.</p> <ul style="list-style-type: none"> • Používejte čisticí prostředek určený výhradně pro spotřebič.
	<p>Pěnění může způsobit nadměrné množství leštidla.</p> <ul style="list-style-type: none"> • Snižte hladinu dávkování leštidla.
V dávkovači čisticího prostředku zůstává čisticí prostředek.	<p>Horní koš není vyvážený.</p> <ul style="list-style-type: none"> • Nastavte výšku na levé/pravé straně horního koše.
	<p>Nemusí docházet k dávkování čisticího prostředku, protože špatně uložené nádoby brání automatickému otevření dávkovače čisticího prostředku.</p> <ul style="list-style-type: none"> • Nádoby pořádně uložte a před přidáním nového čisticího prostředku vždy vysušte dávkovač tak, aby se v něm čisticí prostředek nelepil.
Voda uniká mimo spotřebič.	<p>Dveře nemusejí dobře dovírat z důvodu naklonění spotřebiče. V tomto případě může docházet k úniku vody.</p> <ul style="list-style-type: none"> • Zkontrolujte vyrovnání nastavením nohou.
	<p>Únik vody může způsobovat nesprávná instalace odtokové hadice.</p> <ul style="list-style-type: none"> • Zkontrolujte přípojnou část odtokové hadice.
	<p>Pokud je napájení vypnuto, únik vody může být způsoben špatným připojením k vodovodnímu kohoutku.</p> <ul style="list-style-type: none"> • Zkontrolujte připojení přívodní hadice.

Výkon

Příznaky	Možná příčina a řešení
Zamlžené skleněné nádobí	Kombinace nadměrného množství čisticího prostředku a tvrdé vody <ul style="list-style-type: none"> • Abyste problém minimalizovali, použijte méně čisticího prostředku a použijte leštidlo. • Zkontrolujte nastavení systému změkčování.
Černé nebo šedé šmouhy na nádobí	Během cyklu se o nádobí otřeli hliníkové předměty <ul style="list-style-type: none"> • Umístěte nádobí jinak.
Žlutý nebo hnědý povlak na vnitřních plochách spotřebiče	Skvrny od kávy nebo čaje <ul style="list-style-type: none"> • Odstraňte skvrny pomocí přípravku na odstranění skvrn.
Uvnitř myčky zůstává žlutá voda.	Při prvním použití spotřebiče se může v nádrži na změkčovač vody tvořit žlutá voda. <ul style="list-style-type: none"> • Je to normální jev a pro lidi je neškodný. Po 1 - 3 cyklech zmizí.

Příznaky	Možná příčina a řešení
Skvrny a povlak na nádobí	Nesprávné množství čisticího prostředku <ul style="list-style-type: none"> • Použijte doporučené množství čisticího prostředku.
	Nadměrná dávka nádobí <ul style="list-style-type: none"> • Spotřebič nepřepřijte.
	Nesprávně vložené nádobí <ul style="list-style-type: none"> • Viz část OBSLUHA.
	Nedostatečný tlak vody <ul style="list-style-type: none"> • Tlak vody by měl být mezi 0,05 - 0,6 MPa.
	Nedostatečné množství čisticího prostředku <ul style="list-style-type: none"> • Přidejte doporučené množství čisticího prostředku. Viz část OBSLUHA.
	Dávkovač leštidla je prázdný. <ul style="list-style-type: none"> • Doplněte dávkovač leštidla.
	Ve změkčovači vody není sůl nebo její množství není dostatečné. <ul style="list-style-type: none"> • Zkontrolujte, zda je ve změkčovači vody sůl.
	Úroveň tvrdosti vody může být nastavena jako příliš nízká. <ul style="list-style-type: none"> • Zvyšte hodnotu nastavení tvrdosti.
	Množství leštidla nemusí být dostatečné. <ul style="list-style-type: none"> • Doplněte leštidlo nebo zvyšte úroveň dávkování.
	Tvrdá voda nahromaděná uvnitř spotřebiče <ul style="list-style-type: none"> • Vyberte všechno nádobí, košík na příbory a držák košíku na příbory ze spotřebiče. Uvnitř myčky by měly zůstat pouze horní a spodní koš. Abyste dosáhli co nejlepších výsledků použijte kyselinu citronovou v prášku (najdete ji v zavořovací sekci ve většině potravin nebo online). Odměřte 3 polévkové lžíce (45 g) prášku kyseliny citronové. Naplňte přihrádku na hlavní mytí odměřeným množstvím prášku. Pokud neseženete kyselinu citronovou v prášku, nalijte do mělké misky přibližně 3/4 - 1 1/4 šálku (200 - 300 ml) bílého octa a umístěte ji do horního koše. Spustte cyklus Auto. Nepoužívejte čisticí prostředek. Po dokončení cyklus spustte ještě jednou.

Příznaky	Možná příčina a řešení
Zápach	<p>Předchozí cyklus byl zastaven před dokončením a zbylá voda zůstala ve spotřebiči.</p> <ul style="list-style-type: none"> • Zapněte napájení, spusťte volbu cyklu Cancel (Zrušit), abyste odstranili zbylou vodu, spusťte cyklus Turbo s použitím čisticího prostředku, ale bez nádobí ve spotřebiči.
	<p>Ve spodní části spotřebiče nebo ve filtru je jídlo.</p> <ul style="list-style-type: none"> • Vyčistěte filtr a vnitřek spotřebiče podle části ÚDRŽBA příručky pro uživatele.
	<p>V myčce bylo po dlouhou dobu ponecháno neumyté nádobí.</p> <ul style="list-style-type: none"> • Spusťte cyklus tak, že do jednoho šálku nebo sklenice ve spotřebiči nalijete bílý ocet nebo jej umístěte v misce do horního koše. (Ocet je kyselina a při stálém používání může poškodit váš spotřebič.)
Na nádobí zůstávají zbytky jídel.	<p>Výběr nesprávného cyklu</p> <ul style="list-style-type: none"> • Zvolte správný cyklus na základě úrovně znečištění a typu mytého nádobí.
	<p>Teplota vody je příliš nízká.</p> <ul style="list-style-type: none"> • Zkontrolujte připojení přívodu vody nebo ohřívače vody.
	<p>Čisticí prostředek na mytí nádobí nebyl použit.</p> <ul style="list-style-type: none"> • Použijte doporučený čisticí prostředek.
	<p>Nízký tlak vody na vstupu</p> <ul style="list-style-type: none"> • Tlak vody by měl být mezi 0,05 - 0,6 MPa.
	<p>Otvory pro proud vody na ostříkovacích ramenech jsou ucpané.</p> <ul style="list-style-type: none"> • Vyčistěte ostříkovací ramena.
	<p>Nesprávně vložené nádobí.</p> <ul style="list-style-type: none"> • Ujistěte se, že nádobí neblokuje otáčení ostříkovacích ramen ani nepřekáží dávkovači čisticího prostředku.
	<p>Filtry jsou ucpané.</p> <ul style="list-style-type: none"> • Vyčistěte filtry.
	<p>Příliš mnoho neodstraněných zbytků jídla na nádobí.</p> <ul style="list-style-type: none"> • Velké kousky zbytků jídla by měly být z nádobí odstraněny dříve, než se spustí mytí.

Sušení

Příznaky	Možná příčina a řešení
Nádobí není suché.	Dávkovač leštidla je prázdný. <ul style="list-style-type: none"> Pokud je dávkovač leštidla prázdný, zkontrolujte a doplňte ho. Abyste dosáhli lepšího výsledku sušení po použití dveře mírně otevřete.
	Použité tablety nemusí obsahovat leštidlo. Tím se sníží výkon sušení. <ul style="list-style-type: none"> Vyměňte za tabletu, která obsahuje leštidlo (pokud si nejste jisti, obraťte se na výrobce tablet). Případně můžete použít tekuté leštidlo v dávkovači, pokud ho tablety neobsahují.
	Byl zvolen cyklus bez možnosti Extra Dry (Extra suché). <ul style="list-style-type: none"> Vyberte cyklus, kde je výchozí možnost Extra Dry (Extra suché).

Wi-Fi

Příznaky	Možná příčina a řešení
Váš domácí spotřebič a smartphone není připojen k síti Wi-Fi.	Nesprávné heslo k síti Wi-Fi, ke které se pokoušíte připojit. <ul style="list-style-type: none"> Najděte síť Wi-Fi připojenou k vašemu smartphonu a odeberte ji, poté zaregistrujte své zařízení na LG ThinQ.
	Mobilní data vašeho smartphonu jsou zapnuta. <ul style="list-style-type: none"> Vypněte Mobilní data a zaregistrujte přístroj pomocí sítě Wi-Fi.
	Název bezdrátové sítě (SSID) je nesprávně nastaven. <ul style="list-style-type: none"> Název bezdrátové sítě (SSID) musí být kombinace anglických písmen a čísel (nepoužívejte speciální znaky).
	Frekvence routeru není 2,4 GHz. <ul style="list-style-type: none"> Je podporována pouze frekvence routeru 2,4 GHz. Nastavte bezdrátový router na 2,4 GHz a připojte přístroj k bezdrátovému routeru. Zkontrolujte frekvenci routeru, ověřte ji u svého poskytovatele internetových služeb nebo u výrobce routeru.
	Přístroj a bezdrátový router jsou od sebe příliš daleko. <ul style="list-style-type: none"> Pokud jsou přístroj a bezdrátový router od sebe příliš daleko, signál může být slabý a připojení nemusí být správně nastaveno. Přemístěte router tak, aby byl blíže k přístroji.

PŘÍLOHA

Produktový list

Nařízení komise v přenesené pravomoci (EU) č. 2019/2017

Název nebo ochranná známka dodavatele: LG Electronics Inc

Adresa dodavatele*2: LG Electronics European Shared Service Centre B.V., Krijgsman 1, 1186 DM Amstelveen, The Netherlands

*1 pro program „eco“.

*2 změny těchto položek se nepovažují za relevantní pro účely čl. 4 odst. 4 nařízení (EU) 2017/1369.

Identifikační značka modelu: DF425***

Obecné parametry výrobku:

Parametr	Hodnota	Parametr	Hodnota	
Jmenovitá kapacita *1(Počet sad)	14	Rozměry v cm	Výška	85
			Šířka	60
			Hloubka	60
EEI*1	49,9	Třída energetické účinnosti*1	D	
Index čistící schopnosti*1	1,13	Index sušící schopnosti*1	1,07	
Spotřeba energie v kWh [na cyklus], na základě programu „eco“ při použití napuštěné studené vody. Skutečná spotřeba energie bude záviset na tom, jak je spotřebič používán.	0,849	Spotřeba vody v litrech [na cyklus], na základě programu „eco“. Skutečná spotřeba vody bude záviset na tom, jak je spotřebič používán, a na tvrdosti vody.	9,5	
Trvání programu*1(h:min)	3:13	Typ	volně stojící	
Úroveň emisí hluku šířeného vzduchem *1(dB(A) re 1 pW)	41	Třída emisí hluku šířeného vzduchem*1	B	
Vypnutý stav (W)	0,49	Pohotovostní režim (W)	0,49	
Odložený start (W) (v příslušných případech)	3,99	Pohotovostní režim při připojení na síť (W) (v příslušných případech)	1,99	
Minimální doba trvání záruky nabízená dodavatelem*2: 2 roky				
Další informace: www.lg.com				

Identifikační značka modelu: DF325***

Obecné parametry výrobku:

Parametr	Hodnota	Parametr	Hodnota	
Jmenovitá kapacita ^{*1} (Počet sad)	14	Rozměry v cm	Výška	85
			Šířka	60
			Hloubka	60
EEI ^{*1}	55,9	Třída energetické účinnosti ^{*1}	E	
Index čisticí schopnosti ^{*1}	1,13	Index sušící schopnosti ^{*1}	1,07	
Spotřeba energie v kWh [na cyklus], na základě programu „eco“ při použití napuštěné studené vody. Skutečná spotřeba energie bude záviset na tom, jak je spotřebič používán.	0,951	Spotřeba vody v litrech [na cyklus], na základě programu „eco“. Skutečná spotřeba vody bude záviset na tom, jak je spotřebič používán, a na tvrdosti vody.	9,5	
Trvání programu ^{*1} (h:min)	3:48	Typ	volně stojící	
Úroveň emisí hluku šířeného vzduchem ^{*1} (dB(A) re 1 pW)	42	Třída emisí hluku šířeného vzduchem ^{*1}	B	
Vypnutý stav (W)	0,26	Pohotovostní režim (W)	0,26	
Odložený start (W) (v příslušných případech)	3,99	Pohotovostní režim při připojení na síť (W) (v příslušných případech)	1,99	
Minimální doba trvání záruky nabízená dodavatelem^{*2}: 2 roky				
Další informace: www.lg.com				

Identifikační značka modelu: DF325**

Obecné parametry výrobku:

Parametr	Hodnota	Parametr	Hodnota	
Jmenovitá kapacita * ¹ (Počet sad)	14	Rozměry v cm	Výška	85
			Šířka	60
			Hloubka	60
EEI* ¹	55,9	Třída energetické účinnosti* ¹	E	
Index čisticí schopnosti* ¹	1,13	Index sušící schopnosti* ¹	1,07	
Spotřeba energie v kWh [na cyklus], na základě programu „eco“ při použití napuštěné studené vody. Skutečná spotřeba energie bude záviset na tom, jak je spotřebič používán.	0,951	Spotřeba vody v litrech [na cyklus], na základě programu „eco“. Skutečná spotřeba vody bude záviset na tom, jak je spotřebič používán, a na tvrdosti vody.	9,5	
Trvání programu * ¹ (h:min)	3:48	Typ	volně stojící	
Úroveň emisí hluku šířeného vzduchem* ¹ (dB(A) re 1 pW)	44	Třída emisí hluku šířeného vzduchem* ¹	B	
Vypnutý stav (W)	0,26	Pohotovostní režim (W)	0,26	
Odložený start (W) (v příslušných případech)	3,99	Pohotovostní režim při připojení na síť (W) (v příslušných případech)	1,99	
Minimální doba trvání záruky nabízená dodavatelem*²: 2 roky				
Další informace: www.lg.com				

Nařízení Komise v přenesené pravomoci (EU) č. 1059/2010

Název nebo obchodní značka dodavatele	LG			
Identifikátor modelu dodavatele	DF425***	DF325***	DF325**	
Jmenovitý výkon pro standardní počet sad pro standardní cyklus mytí	14			Počet sad
Třída energetické účinnosti	A+++	A ++	A ++	
Udělení „ekoznačky EU“ podle nařízení (ES) č. 66/2010	Žádné			
Spotřeba energie „X“ kWh za rok založená na 280 standardních mycích cyklech při použití přívodu studené vody a spotřebě při režimech s nízkým výkonem. Skutečná spotřeba energie bude záviset na způsobu používání spotřebiče.	237	266	266	kWh/rok
Spotřeba energie (Et) při standardním mycím cyklu	0,83	0,944	0,944	kWh
Spotřeba energie v režimu vypnutí	0,49	0,26	0,26	W
Spotřeba energie v zapnutém stavu	0,49	0,26	0,26	W
Spotřeba vody „X“ litrů za rok založená na 280 standardních mycích cyklech. Skutečná spotřeba vody bude záviset na způsobu používání spotřebiče.	2700			litrů/rok
Třída účinnosti sušení „X“ na stupnici od G (nejméně účinná) po A (nejúčinnější)	A			
„Eko“ je standardní cyklus mytí, na který se vztahují informace uvedené na štítku a v popisu výrobku. Tento program je vhodný pro mytí normálně znečištěného nádobí a z hlediska kombinované spotřeby energie a vody je nejefektivnějším programem.				
Čas programu při standardním cyklu mytí	193	228	228	min
Trvání režimu zapnutí (TI)	1			min
Úroveň emisí hluku šířeného vzduchem	41	42	44	dB(A)
Volně stojící				

Poznámky

KORISNIČKI PRIRUČNIK

PERILICA POSUĐA



Prije početka postavljanja pažljivo pročitajte ove upute. One će vam pojednostaviti postavljanje i osigurati ispravno i sigurno postavljanje proizvoda. Spremite ove upute u blizini proizvoda nakon postavljanja za buduću upotrebu.

HRVATSKI

DF425*** / DF325*** / DF325**

SADRŽAJ

Ovaj priručnik može sadržavati ilustracije ili sadržaj koji se razlikuju od modela koji ste kupili.

Ovaj je priručnik podložan izmjenama koje provodi proizvođač.

SIGURNOSNE UPUTE

PROČITAJTE SVE UPUTE PRIJE UPOTREBE	4
IZJAVE UPOZORENJA	4
IZJAVE OPREZA.....	9
ZAŠTITA OKOLIŠA.....	11

POSTAVLJANJE

Dijelovi i specifikacije	12
Priprema otvora ormara	14
Poravnavanje perilice	17
Postavljanje odvodnog crijeva.....	18
Priprema priključaka za vodu i struju	19
Konačna provjera postavljanja	20

RAD

Prije upotrebe.....	22
Pregled rada	25
Upravljačka ploča	27
Ciklusi pranja	28
Opcije i dodatne funkcije	29
Tablica programa	32
Podaci za testiranje.....	39
Punjenje perilice posuđa.....	40
Dodavanje sredstava za čišćenje.....	46
Ponovno punjenje	48
Korisni savjeti.....	48

PAMETNE FUNKCIJE

Aplikacija LG ThinQ	49
Smart Diagnosis	51

ODRŽAVANJE

Čišćenje i održavanje	53
-----------------------------	----

RJEŠAVANJE PROBLEMA

Prije pozivanja servisnog centra57

DODATAK

Podaci o proizvodu64

SIGURNOSNE UPUTE

PROČITAJTE SVE UPUTE PRIJE UPOTREBE

Sljedeće smjernice za sigurnost namijenjene su sprječavanju nepredviđenih rizika ili oštećenja uzrokovanih neopreznom ili nepravilnom upotrebom proizvoda.

Smjernice su podijeljene na „UPOZORENJE” i „OPREZ” kao što je opisano u nastavku.

Sigurnosne poruke



Ovaj simbol označava da može doći do opasnosti.

Pažljivo pročitajte dijelove s ovim simbolom i slijedite upute da biste izbjegli opasnost.



UPOZORENJE

Ovo označava da u slučaju nepridržavanja uputa može doći do težih ozljeda ili smrti.



OPREZ

Ovo označava da u slučaju nepridržavanja uputa može doći do lakših ozljeda ili oštećenja proizvoda.

IZJAVE UPOZORENJA



UPOZORENJE

- Kako biste smanjili opasnost od eksplozije, požara, smrti, strujnog udara, ozljede ili opekotina osoba prilikom upotrebe ovog proizvoda, slijedite osnovne mjere opreza, uključujući sljedeće:
-

Tehnička sigurnost

- Ovim se uređajem ne bi trebale koristiti osobe (uključujući djecu) smanjenih tjelesnih, osjetilnih ili mentalnih sposobnosti, ili s manjkom iskustva i znanja, osim ako ih osoba koja je odgovorna za

njihovu sigurnost ne nadzire ili im daje upute u vezi s upotrebom uređaja. Djecu treba nadgledati kako bi se osiguralo da se ne igraju s uređajem.

- Držite se podataka navedenih u Tehničkim podacima za maksimalan broj kompleta posuđa koji se smije prati u perilici.
- Tlak vode mora biti između 0,05 MPa i 0,6 MPa.

Postavljanje

- Nikada ne pokušavajte raditi s uređajem ako je oštećen, u kvaru, djelomično rastavljen ili ako ima dijelova koji nedostaju ili su pokvareni, uključujući oštećeni kabel ili utikač.
- Ako je kabel za napajanje oštećen ili je otvor strujne utičnice labav, ne upotrebljavajte strujni utikač i obratite se autoriziranom servisnom centru.
- Nemojte mijenjati kabel za napajanje koji je isporučen s uređajem. Ako nije kompatibilan, obratite se centru za korisnike tvrtke LG.
- Uređaj treba prenositi dvoje ili više ljudi držeći ga sigurno.
- Nemojte postavljati perilicu na vlažno i prašnjavo mjesto. Perilicu nemojte postavljati u vanjskom prostoru ili u bilo kojem prostoru koji je podložen utjecajima vremenskih uvjeta poput sunčeve svjetlosti, vjetrova ili kiše ili temperatura ispod nula stupnjeva.
- Ne uključujte ovaj proizvod u višestruke utičnice, produžni kabel ili adapter.
- Odspojite kabel za napajanje, osigurač i strujni prekidač prije postavljanja ili servisiranja uređaja.
- Za premještanje ili postavljanje proizvoda na drugu lokaciju obratite se kvalificiranom servisnom osoblju za postavljanje i servis.
- Sigurno pričvrstite odvodno crijevo.
- Ovaj uređaj nije namijenjen za upotrebu na moru ili za mobilno postavljanje poput kamp kućica, prikolica ili zrakoplova.
- Uređaj se mora postaviti blizu strujnog napajanja.
- Pri postavljanju ili premještanju uređaja pazite da ne priključite, ne zdrobite ili ne oštetite kabel za napajanje.

- Koristite novo crijevo ili kompletne crijeva isporučene s uređajem. Ponovna upotreba starih crijeva može uzrokovati curenje vode i oštećenje imovine.
- Nepravilno spajanje vodiča za uzemljenje uređaja može dovesti do opasnosti od strujnog udara. Provjerite s kvalificiranim električarom ili servisnim osobljem ako sumnjate je li uređaj ispravno uzemljen.
- Ovaj uređaj mora biti uzemljen. U slučaju neispravnosti ili kvara, uzemljivanje će smanjiti opasnost od strujnog udara pružanjem puta najmanjeg otpora električnoj struji.
- Ova perilica sadrži kabel za napajanje koji ima vodič za uzemljenje i utikač za uzemljenje. Utikač mora biti uključen u prikladnu strujnu utičnicu koja je pravilno postavljena i uzemljena u skladu sa svim lokalnim propisima i pravilnicima.
- Nakon postavljanja provjerite curi li crijevo prije nego što premjestite uređaj u ormar.
- Nemojte oštetiti kabel za napajanje ili na njega stavljati teške predmete.
- Uređaj je namijenjen za upotrebu u kućanstvu i samo za kućnu upotrebu. Ne smije se upotrebljavati u komercijalne svrhe.
- Za trajno povezanu perilicu posuđa: ovaj se uređaj mora povezati na uzemljeni metal, trajni sustav ožičenja ili vodič za uzemljenje mora biti pokrenut s vodičem strujnog kruga i povezan na terminal za uzemljenje ili na uređaj.
- Povežite uzemljenu žicu na zeleni priključak za uzemljenje u priključnoj kutiji.

Rad

- Odmah iskopčajte uređaj i obratite se centru za korisnike tvrtke LG Electronics ako čujete neobičan zvuk, osjetite neugodan miris ili ako iz uređaja izlazi dim.
- Nemojte popravljati ili zamjenjivati bilo koji dio uređaja. Sve popravke i servis mora provoditi kvalificirano servisno osoblje, osim ako nije posebno preporučeno u ovom korisničkom priručniku. Upotrebljavajte samo ovlaštene tvorničke dijelove.

- Nemojte ostavljati vrata uređaja otvorena. Djeca bi mogla visiti na vratima ili se uvući u uređaj, što bi moglo uzrokovati štetu ili ozljedu.
- Nemojte se koristiti zapaljivim plinovitim i zapaljivim tvarima (benzen, gorivo, razrjeđivač, nafta, alkohol itd.) u blizini uređaja.
- Ne pokušavajte odvojiti ploče ili rastaviti proizvod. Ne upotrebljavajte oštre predmete na kontrolnoj ploči kako biste rukovali proizvodom.
- Nemojte prekomjerno savijati kabel za napajanje ili stavljati teške predmete na njega.
- U proizvod ne stavljajte žive životinje. Životinja se može ugušiti.
- Ne dirajte strujni utikač ili kontrole uređaja mokrim rukama.
- Ako dođe do istjecanja plina (izobutana, propana, prirodnog plina itd.), ne dirajte uređaj ili strujni utikač i odmah prozračite prostor.
- U slučaju poplave, isključite strujni utikač i obratite se centru za korisnike tvrtke LG Electronics.
- U određenim uvjetima u sustavu tople vode koji se nije upotrebljavao dva tjedna ili više može doći do nastanka vodikova plina. VODIKOV JE PLIN EKSPLOZIVAN. Ako se sustav tople vode nije upotrebljavao u tom razdoblju, prije upotrebe uređaja otvorite sve slavine tople vode i ostavite vodu da teče nekoliko minuta. Time će se osloboditi nakupljeni vodikov plin. S obzirom na to da je plin zapaljiv, tijekom tog vremena nemojte pušiti ili upotrebljavati otvorenu vatru.
- U prostoru ispod i oko uređaja ne smiju se nalaziti zapaljive tvari poput vlakna, papira, krpa, kemikalija itd.
- Neki su deterdženti za pranje posuđa vrlo alkalni. Mogu biti iznimno opasni ako se progutaju. Izbjegavajte kontakt s kožom i očima i držite djecu podalje od perilice posuđa kada su vrata otvorena. Nakon završetka ciklusa pranja, provjerite je li spremnik za deterdžent prazan.
- Nemojte puštati uređaj u rad dok sve ogradne ploče nisu na ispravnom mjestu.
- Upotrebljavajte samo deterdžente i sredstva za vlaženje koji se preporučuju za upotrebu u uređaju i držite ih izvan dohvata djece.
- Nemojte prati i sušiti posuđe koje je bilo namočeno u eksplozivne tvari poput benzina, otapala i deterdženta na bazi otapala.

- Pri punjenju posuđem koji će se prati:
 - Postavite oštre predmete tako da ne mogu oštetiti brtvu vrata.
 - Postavite oštre noževe tako da im je ručka okrenuta prema gore kako biste izbjegli rizik od porezotina.
- Nemojte prati plastično posuđe, osim ako nemaju oznaku „perivo u perilici” ili sličnu. Za plastično posuđe koje nema tu oznaku provjerite preporuke proizvođača.
- Nemojte dodirivati grijaće elemente (na mjestima gdje su izloženi) tijekom ili odmah nakon upotrebe.
- Nemojte upotrebljavati silu, sjediti ili stajati na vratima ili stalku za posuđe perilice posuđa.
- Nakon pranja posuđa zatvorite slavinu. Ponovno otvorite slavinu i provjerite status povezanosti crijeva za dovod vode prije čišćenja.
- Nemojte otvarati vrata dok je uređaj u radu. Voda će prskati van, što bi moglo uzrokovati opasnost od klizanja.
- Pazite da ne priklješтите ruku tijekom zatvaranja vrata uređaja.
- Nemojte prati i sušiti posuđe koje je bilo namočeno u eksplozivne tvari poput benzina, otapala i deterdženta na bazi otapala.
- Izbjegavajte kontakt s izlazom pare.
- Mali dijelovi, poput spojnice za stalke i držača filtra, opasni su jer mogu uzrokovati gušenje male djece ako se izvade iz perilice. Držite ih izvan dometa male djece.
- Noževi i ostali pribor s oštrim vrhovima mora se postaviti u košaru tako da su im vrhovi okrenuti prema dolje ili mora biti u vodoravnom položaju.
- Vrata se ne smiju ostaviti u otvorenom položaju, jer to predstavlja opasnost od spoticanja.

Održavanje

- Nikada nemojte isključivati uređaj povlačeći kabel za napajanje. Uvijek čvrsto uhvatite strujni utikač i povucite ga ravno iz strujne utičnice.

- Sigurno priključite strujni utikač u strujnu utičnicu nakon što potpuno uklonite vlagu i prašinu.
- Ne raspršujte vodu unutar ili izvan uređaja kako biste ga očistili.
- Odspojite proizvod iz napajanja prije čišćenja. Postavljanje kontrola na ISKLJUČENO ili u stanje mirovanja ne odspaja proizvod od napajanja.

Odlaganje

- Prije odlaganja starog uređaja, isključite ga. Odrežite kabel odmah iza uređaja kako biste spriječili pogrešnu upotrebu.
- Odložite sav ambalažni materijal (kao što su plastične vrećice i stiropor) dalje od djece. Ambalažni materijal može izazvati gušenje.
- Uklonite vrata prije odbacivanja ili odlaganja ovog uređaja kako biste izbjegli opasnost od zatvaranja djece ili malih životinja unutar uređaja.

IZJAVE OPREZA

OPREZ

- Kako biste smanjili opasnost od požara, strujnog udara ili ozljede osoba prilikom upotrebe ovog proizvoda, slijedite osnovne mjere opreza, uključujući sljedeće:

Postavljanje

- Postavite proizvod na čvrst i ravan pod.
- Tijekom postavljanja nemojte stavljati odvodno crijevo ispod perilice posuđa.

Rad

- Isključite slavinu i iskopčajte uređaj ako uređaj neće raditi duže vrijeme, primjerice tijekom godišnjih odmora.
- Nemojte stavljati nikakve predmete na uređaj.

- Nemojte brisati ili premazivati površinu uređaja tekućim deterdžentom ili sredstvom za izbjeljivanje (sredstvo za izbjeljivanje na bazi klor, kisika itd.). U suprotnome može doći do korozije ili promjene boje premaza.
- Nemojte dirati vodu koja se odvodi iz stroja jer može biti vruća.
- Ako se crijevo za odvod i dovod vode zalede tijekom zime, odledite ih prije upotrebe.
- Nemojte stavljati ruke, noge ili metalne predmete ispod ili iza uređaja.
- Nemojte prati posuđe koje je zaprljano kemijskim proizvodima poput ulja, kreme ili losiona koji se upotrebljavaju u salonima za masažu, salonima za njegu kože, salonima za ljepotu ili u brijamačnicama.

Održavanje

- Ako se ulje za kuhanje prolije na vanjski dio proizvoda, odmah ga obrišite. Vanjsku stranu proizvoda nemojte čistiti sredstvima za čišćenje koja sadrže alkohol, razrjeđivač, izbjeljivač, benzen, zapaljive tekućine ili abrazive. Te tvari mogu uzrokovati promjenu boje uređaja ili oštetiti uređaj.

ZAŠTITA OKOLIŠA

Zbrinjavanje starog uređaja



- Ovaj simbol prekrižene kante za smeće na kotačićima označava kako se otpadni električni i električni proizvodi (WEEE) moraju zbrinjavati odvojeno od komunalnog otpada.
- Dotrajali električni proizvodi mogu sadržavati opasne tvari stoga će ispravno zbrinjavanje vaših dotrajalih uređaja pomoći u sprječavanju potencijalnih negativnih posljedica na okoliš i ljudsko zdravlje. Vaš dotrajao uređaj može sadržavati dijelove koji se mogu ponovo iskoristiti za popravak drugih proizvoda te druge vrijedne materijale koji se mogu reciklirati i tako sačuvati ograničene resurse.
- Ovisno o razini smetnje / štete i dobi stavke, stari proizvodi mogu se popraviti za više radnog života koji će spriječiti izbjegli otpada. Proizvodi koji nisu prikladni za ponovnu uporabu može se reciklirati da se oporavim vrijedne resurse i pomoći da se smanji globalno potrošnju novih sirovina.
- Uređaj možete odnijeti u trgovinu u kojoj ste kupili proizvod ili možete kontaktirati ured za zbrinjavanje otpada kod vaših mjesnih nadležnih tijela te od njih saznati više informacija o najbližem ovlaštenom WEEE sabirnom centru. Za najnovije informacije iz svoje države pogledajte internetske stranice www.lg.com/global/recycling

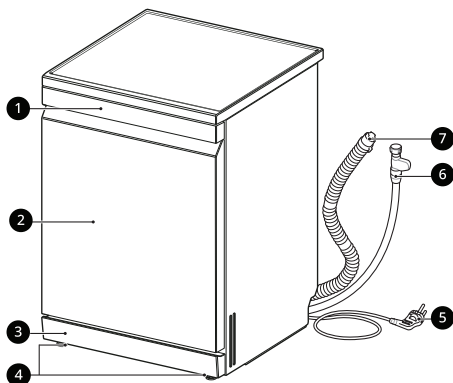
POSTAVLJANJE

Dijelovi i specifikacije

NAPOMENA

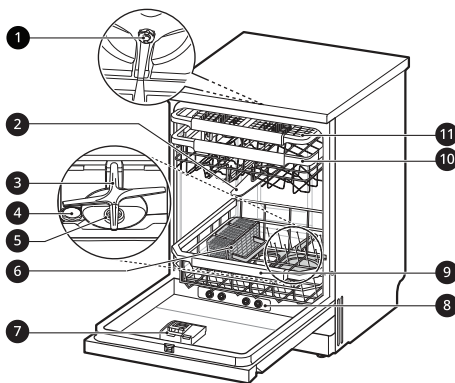
- Izgled i tehnički podaci mogu se promijeniti bez obavijesti kako bi se poboljšala kvaliteta perilice.

Prikaz sprijeda



- 1 Upravljačka ploča i ručka za vrata
- 2 Prednji poklopac
- 3 Donji poklopac
- 4 Noge za poravnavanje
- 5 Kabel za napajanje
- 6 Crijevo za dovod vode
- 7 Crijevo za odvod

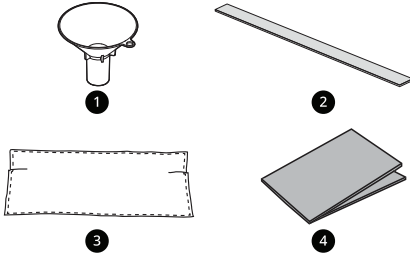
Prikaz unutrašnjosti



- 1 Gornji rotor za pranje
- 2 Gornji krak za prskanje
- 3 Donji krak za prskanje
- 4 Čep spremnika za sol
- 5 Sustav za filtriranje
- 6 Košara za pribor za jelo*1
- 7 Dozator deterdženta i sredstva za ispiranje
- 8 Otvor za paru*1
- 9 Donji stalak
- 10 Gornji stalak
- 11 Stalac za pribor za jelo*1

*1 Ova značajka dostupna je samo na nekim modelima.

Pribor



- ❶ Lijevak
- ❷ Traka protiv buke *1
- ❸ Pokrovni filc
- ❹ Traka za sprečavanje vlage (aluminijaska traka)

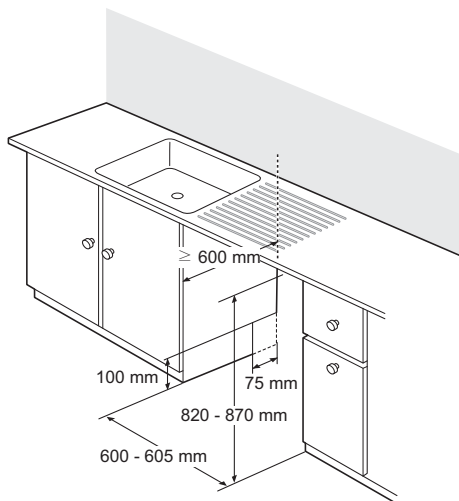
*1 Trake protiv buke dolaze u kompletu: donja - 1 komad, prednja - 1 komad, bočna - 2 komada

Tehnički podaci

Model	DF325*** / DF325**	DF425***
Napajanje	220 - 240 V~, 50 Hz	
Dimenzije (Širina X Dubina X Visina)	600 mm x 600 mm x 850 mm	
Težina proizvoda	Oko 49 kg	Oko 52 kg
Maks. kapacitet	14 kompleta posuđa	
Dopušteni tlak ulazne vode	0,05 - 0,6 MPa	
Potrošnja energije	1600 - 1800 W	

Priprema otvora ormara

Odabir odgovarajuće lokacije



- Postavite uređaj na ravan i stabilan pod.
- Izrežite prostor za crijeva i strujne kabele na bilo kojoj strani. (Oko 100 mm x 75 mm)
- Odaberite lokaciju što je moguće bliže sudoperu kako bi se olakšalo povezivanje na cijevi za vodu i odvod.
- Da bi se osigurao odvod, uređaj se ne smije postaviti na udaljenosti većoj od 1 metar od sudopera.
- Ako je uređaj postavljen u kutu, omogućite najmanje 50 mm prostora između uređaja i ormara ili zida.
- Prije nego što postavite uređaj u otvor za postavljanje potrebno je obaviti sva podešavanja visine s pomoću ključa.

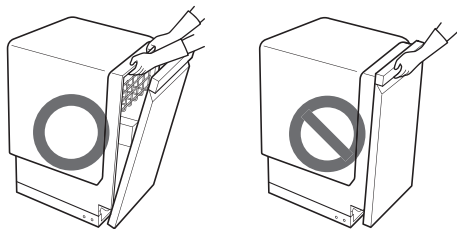
⚠ OPREZ

- Ako oko uređaja postoji neobojeno drvo, potrebno ga je zabrtviti vodoopornom bojom ili sredstvom za brtvljenje kako bi se spriječilo bubrenje.
- Pažljivo gurnite perilicu posuđa kroz otvor ormara. Pobrinite se da crijevo za odvod iza uređaja i unutar ormara nije savinuto ili rastegnuto.

- Postavite uređaj na ravno i stabilno područje. Nemojte postavljati predmete između poda i baze ili noge uređaja.

NAPOMENA

- Postavljanje mora obaviti kvalificirano servisno osoblje kako bi se osiguralo da je uređaj ispravno postavljen.
- Nemojte povlačiti ili podizati uređaj s pomoću ručke, jer bi to moglo oštetiti vrata i šarke. Otvorite vrata i uhvatite okvir kućišta i gornji prednji otvor bubnja da biste pomaknuli ili podigli uređaj.



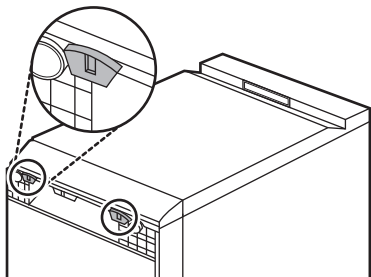
- Nemojte gurati vrata perilice posuđa koljenima.



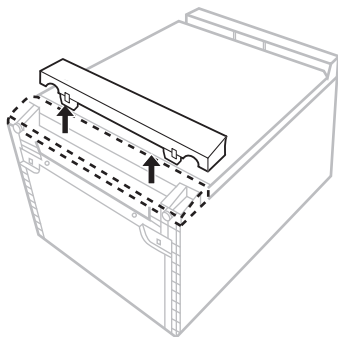
Pričvršćivanje trake na bazu uređaja

Da biste smanjili buku, pričvrstite traku na bazu uređaja.

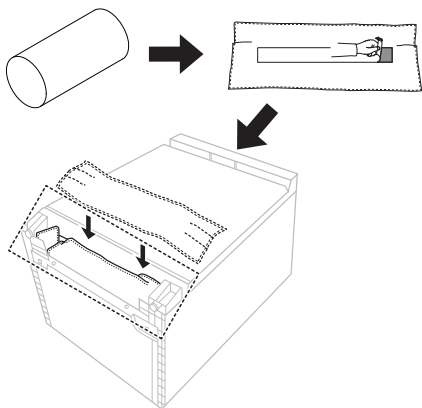
- 1** Polegnite uređaj i povucite obje kuke na donjoj strani donjeg poklopca.



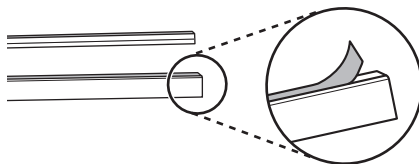
- 2** Povucite donji poklopac da biste ga uklonili.



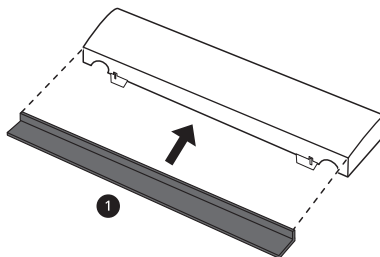
- 3** Uklonite obostranu ljepljivu traku na stražnjoj strani filca i pričvrstite je na prednju donju stranu uređaja.



- 4** Uklonite obostranu ljepljivu traku s donje i prednje trake.

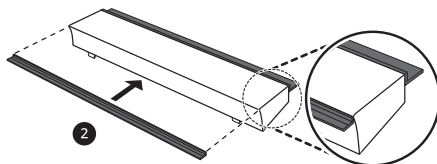


- 5** Pričvrstite crnu donju traku **1** na dno donjeg poklopca.

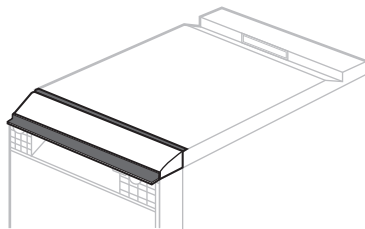


- 6** Pričvrstite crnu donju traku **2** na vrh donjeg poklopca.

- Duljina prednje trake veća je od duljine donjeg poklopca. Pričvrstite prednju traku tako da je prevjes jednak na obje strane donjeg poklopca.



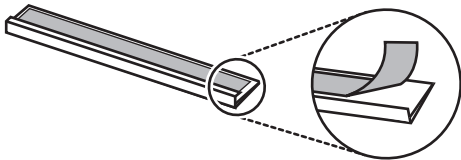
- 7** Pričvrstite donji poklopac s trakom na uređaj.



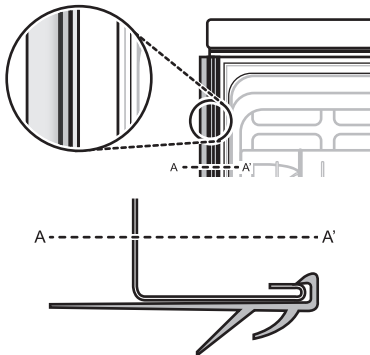
Pričvršćivanje trake na bočnu stranu ormara uređaja

Da biste smanjili buku, pričvrstite traku na bočne strane uređaja, ako ima dovoljno prostora.

- 1 Uklonite obostranu ljepljivu traku s bočnih traka.



- 2 Pričvrstite bočnu traku na prednju bočnu stranu ormara i zatim je povucite prema dolje tako da bočna traka dobro prione na ormar.

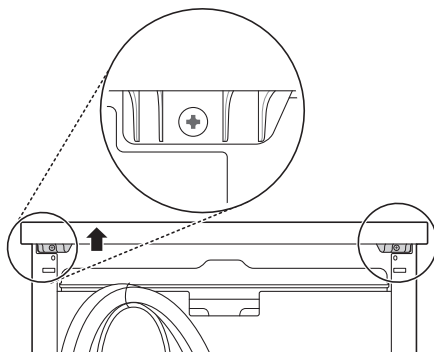


- 3 Ponovite prethodno navedene korake da biste pričvrstili suprotnu bočnu traku na suprotnoj strani ormara.

Uklanjanje gornjeg poklopca

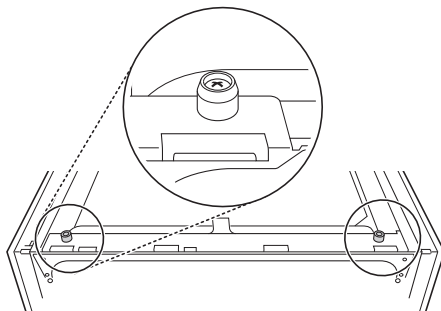
Ako je visina otvora manja od 850 mm, slijedite ove upute.

- 1 Uklonite 2 vijka na stražnjoj strani.



- 2 Povucite gornji poklopac prema natrag nakon što uklonite dva vijka i zatim ga podignite da biste ga uklonili.

- 3 Uklonite zatike za lociranje na vrhu s pomoću križnog odvijača.



NAPOMENA

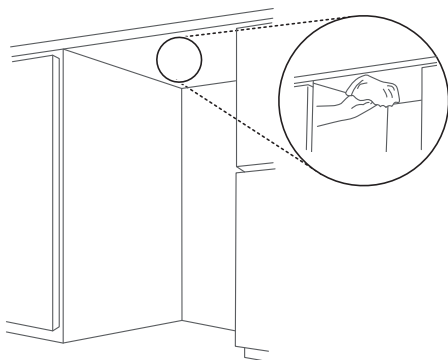
- Kada je uređaj ispravno poravnat, nema nagiba, ljepljivosti ili zvuka trljanja kada se otvore vrata.

Postavljanje trake za sprečavanje vlage

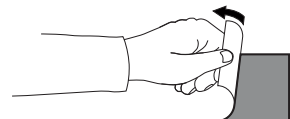
Kada je uređaj postavljen bez gornjeg poklopca, unutrašnja strana radne površine može se oštetiti zbog pare ili kondenzacije kada se otvore vrata.

- Postavite traku za sprečavanje vlage na unutrašnju stranu radne površine kako biste zaštitili radnu površinu od kondenzacije kada se uređaj otvori.

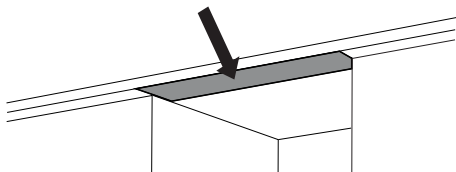
- 1** Očistite i osušite donju stranu radne površine na koju će se pričvrstiti traka.



- 2** Uklonite zaštitni sloj s trake.



- 3** Postavite traku na donju stranu radne površine.



NAPOMENA

- Traka za sprečavanje vlage isporučuje se u vrećici za ručno sastavljanje.
- Ako je radna površina izrađena od granita ili vodootpornih materijala, nije potrebno postavljati traku za sprečavanje vlage.
- Na donjoj strani ili na prednjem rubu radne površine može doći do kondenzacije kada je sobna temperatura niska.

Poravnavanje perilice

Provjera poravnanja perilice

Poravnavanjem perilice sprječavaju se nepotrebno curenje i loši rezultati pranja. Nakon postavljanja provjerite je li perilica savršeno poravnata.

- Ako se perilica naginje kada dijalogalno gurnete gornju ploču, ponovno podesite noge perilice.

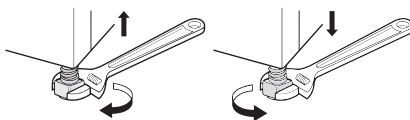
NAPOMENA

- Uređaj nije poravnat ako se čuje zvuk trljanja ili ako postoji ljepljivost kada se otvaraju vrata.

Podešavanje i poravnanje uređaja

Ako uređaj nije savršeno poravnat, okrećite podesive noge dok se uređaj ne prestane ljuljati.

- Okrećite podesive noge u smjeru kazaljke na satu za podizanje ili okrećite podesive noge u smjeru suprotnom od kazaljke na satu za spuštanje unaprijed i unazad, u stranu i iz kuta u kut.



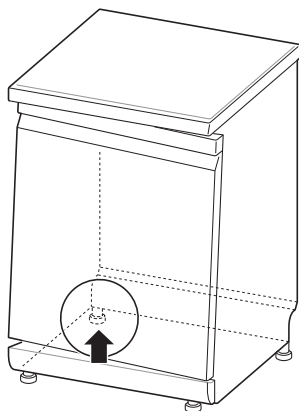
NAPOMENA

- Postavite uređaj na čvrst i ravan pod.
- Nemojte postavljati uređaj na povišenu površinu.

Slučaj 1. Vrata su nagnuta udesno

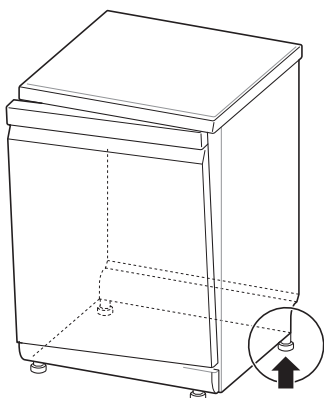
- 1** Odvijte (u smjeru suprotnom od kazaljke na satu) stražnju lijevu nogu i ispravite poravnanje.

- 2** Provjerite otvaranje vrata i ponovite ako je potrebno sve dok se vrata ispravno ne otvaraju i zatvaraju.



Slučaj 2. Vrata su nagnuta ulijevo

- 1** Odvijte (u smjeru suprotnom od kazaljke na satu) stražnju desnu nogu i ispravite poravnanje.
- 2** Provjerite otvaranje vrata i ponovite ako je potrebno sve dok se vrata ispravno ne otvaraju i zatvaraju.



Postavljanje odvodnog crijeva

Ako kraj crijeva za odvodnju ne pristaje liniji za odvodnju, upotrijebite komplet za produženje

odvoda (neobavezno) koji je otporan na toplinu i deterdžent.

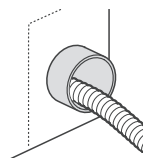
- On se može nabaviti u trgovini vodoinstalaterskom opremom ili željezariji.

Povezivanje na naglavak za otpad

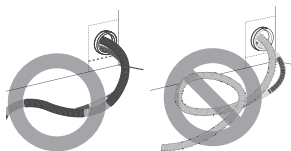
Pri početnoj instalaciji provjerite naglavak za otpad. Ako naglavak za otpad ispod sudopera nije ispravno izbušen, može doći do pogreške **E**. Da biste povezali crijevo za odvod, izbušite otvor veličine najmanje 15 mm u naglavku za otpad prije povezivanja i učvršćivanja.

⚠ OPREZ

- Pobrinite se da ostaci plastike ne ostanu unutar naglavka nakon što završite s bušenjem.
- Nemojte pokušavati otvoriti otvor za otpad s pomoću odvijača ili čekića, jer bi se na taj način ostaci mogli zaglaviti, što može uzrokovati kvar.
- Potrebno je paziti pri provlačenju crijeva kroz otvore na ormaru, jer možda imaju oštre rubove, što bi moglo oštetiti crijeva. Izgladite rubove da biste izbjegli oštećenje crijeva za odvod ili dovod.



- Pobrinite se da linija nije zapetljena ili jako savijena.

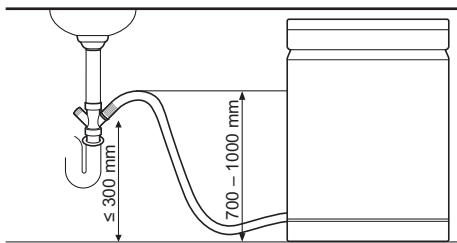


- Pobrinite se da je crijevo za odvod ravno prije nego što provučete njegov kraj kroz otvor za dovod vode.

Da bi se spriječilo da voda teče natrag u perilicu, potrebno je upotrijebiti jednu od sljedećih metoda.

Metoda 1

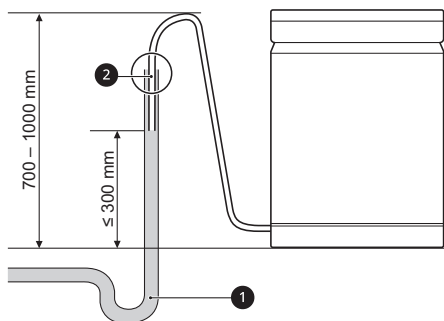
Kada je crijevo za odvod povezano na naglavak za otpad, crijevo se mora dovesti do donje strane radne površine i osigurati.



Metoda 2

Kada je crijevo za odvod povezano na odvojenu slavinu ❶, spoj obavezno mora biti hermetički zatvoren ❷. U suprotnom se mogu pojaviti neugodni mirisi.

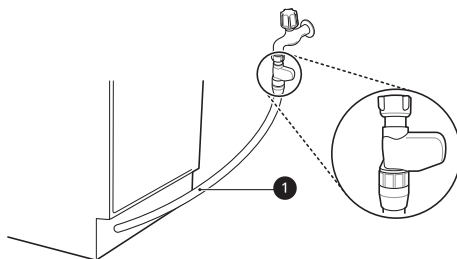
- Promjer odvojene slavine mora biti najmanje 40 mm.



Priprema priključaka za vodu i struju

Povezivanje crijeva na slavinu

Povežite crijevo za dovod vode ❶ na slavinu.

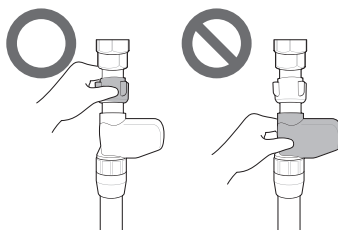


⚠ UPOZORENJE

- Nemojte skraćivati ili oštetiti crijevo za dovod vode jer sadrži električne žice i komponente. Ne može se odvojiti od uređaja ili ukloniti u svrhu instalacije.
- Važno je da se crijevo za dovod vode ne mijenja, ne reže, ne rastavlja, ne povlači i ne petlja. Ono u sebi sadrži električne žice i, ako se ošteti, može izazvati opasnost od strujnog udara.

⚠ OPREZ

- Upotrebljavajte samo navojne matice crijeva za dovod vode da biste ga pričvrstili na slavinu.
- Nemojte savijati ili izvijati crijevo za dovod vode kada ga povezujete na slavinu.



- Ovaj se uređaj može puniti toplom ili hladnom vodom. Ako se voda ne može održavati na temperaturi ispod 65 °C, uređaj se mora spojiti na hladnu vodu.
- Da biste izbjegli curenje vode, upotrijebite traku za brtvljenje ili sredstvo za brtvljenje na slavini.

⚠ OPREZ

- Pobrnite se da linija nije zapetljena ili jako savijena.

NAPOMENA

- Prije povezivanja crijeva za dovod vode na slavinu, uključite slavinu da biste isпустили strane tvari (prljavštinu, pijesak ili piljevinu) u vodi. Pustite vodu da curi u kantu.
- Za prvu opskrbu vodom to traje otprilike 3 – 4 minute.

Provođenje električnih žica

Povežite uređaj na uzemljenu utičnicu u skladu s trenutačnim pravilima za ožičenje i tako da je zaštićena sa strujnim prekidačem od najmanje 15 ampera ili osiguračem s vremenskom odgovodom.

Ožičenje se mora obaviti s pomoću dvije uzemljene žice.

Kabel za napajanje ne smije se postaviti iza uređaja, već unutar 1,2 metra u stranu, kako bi utikač bio lako dostupan.

⚠ UPOZORENJE

- Radi osobne sigurnosti, prije instalacije uklonite osigurač ili otvoreni strujni prekidač ili isključite napajanje.
- Nemojte se koristiti produžnim kabelom ili dvostrukim prikladnikom.
- Utikač mora biti uključen u prikladnu utičnicu koja je pravilno postavljena i uzemljena u skladu sa svim lokalnim propisima i pravilnicima.
- Popravke uređaja mora provesti samo kvalificirano servisno osoblje. Popravci koje izvrše nekvalificirane osobe mogu uzrokovati ozljedu ili ozbiljan kvar. Obratite se našem lokalnom servisnom centru.
- Upotrebljavajte samo zaštićeni strujni krug ispravne veličine i naziva da biste izbjegli električno preopterećenje.

Konačna provjera postavljanja**Testiranje perilice posuđa**

- 1 Uključite napajanje.
- 2 Uključite opskrbu vodom.
- 3 Ako je uređaj ispravno poravnat, vrata se trebaju besprijekorno otvarati i zatvarati, bez jakih zvukova.
- 4 Pokrenite uređaj u ciklusu **Rinse (Ispiranje)** da biste provjerili ispravan rad te dolazi li do curenja.

Provjera šifri pogrešaka u postavljanju

Šifra pogreške	Mogući uzrok i rješenje
OE	<p>Crijevo za odvod izvijeno je ili priklješteno.</p> <ul style="list-style-type: none"> • Provucite crijevo za odvod i dovod kroz otvor ispod sudopera. Zatim postepeno gurajte perilicu posuđa u ormar dok povlačite crijeva ispod sudopera kako ne bi ostala labava. To pomaže da se izbjegne izvijanje crijeva ili njihovo zaglavljivanje ispod perilice.
	<p>Naglavak za otpad ispod sudopera začepljen je.</p> <ul style="list-style-type: none"> • Izbušite naglavak za otpad ispod sudopera.

Šifra pogreške	Mogući uzrok i rješenje
I E	Crijevo za dovod vode izvijeno je ispod perilice. <ul style="list-style-type: none">• Provučite crijevo za odvod i dovod kroz otvor ispod sudopera. Zatim postepeno gurajte perilicu posuđa u ormar dok povlačite crijeva ispod sudopera kako ne bi ostala labava. To pomaže da se izbjegne izvijanje crijeva ili njihovo zaglavljivanje ispod perilice.
	Dovod vode nije uključen. <ul style="list-style-type: none">• Uključite vodu. Tlak vode možda je previsok ili prenizak.

RAD

Prije upotrebe

Ovaj model ima omekšivač vode za omekšavanje tvrde vode.

NAPOMENA

- Ovaj se uređaj može upotrebljavati bez soli za perilicu posuđa, ali je razinu tvrdoće vode potrebno postaviti na H0 tako da ikona ne ostane osvijetljena.
- Da bi se omogućili zadovoljavajući rezultati ispiranja, uređaju je potrebna meka voda, odnosno voda koja sadrži malo ili nimalo kamenca. U suprotnome će na posuđu i u unutrašnjosti perilice ostati mrlje od vode.
- Ako voda iz slavine prekorači određenu razinu tvrdoće, potrebno ju je omekšati, odnosno dekalificirati. To se postiže dodavanjem soli za perilicu posuđa u omekšivač vode u uređaju. Količina soli određuje se u odnosu na tvrdoću vode iz slavine.

- 3 Provjerite boju tvrdoće vode s trake. Pogledajte omot.

Provjera razine tvrdoće vode

Metoda 1


- 1 Provjerite tvrdoću vode u svom području. Tvrтка za opskrbu vodom vam u tome može pomoći.
- 2 Postavite razinu omekšavanja vode uređaja u skladu s tvrdoćom vode.

Metoda 2

Tvrdoću vode možete provjeriti s pomoću testne trake koja se isporučuje s proizvodom.

- 1 Umočite sve reakcijske zone testne trake na oko jednu sekundu. Nemojte to raditi s tekućom vodom.
- 2 Otrесite višak tekućine s trake i pričekajte 1 minutu.

Tablica tvrdoće vode

Tvrdoća vode							Razina omekšavanja	Omjer*1
ppm	°d	°e	°f	mmol/l (Ca+Mg)	mg/l (Ca)	Raspon		
0	<4	<5	<7	<0,7	<29	Meka	H0	-
75	4 - 7	5 - 9	7 - 13	0,7 - 1,3	29 - 50		H1	1:24
125	7 - 14	9 - 17,5	13 - 25	1,3 - 2,5	50 - 100		H2	1:7
250	14 - 21	17,5 - 26	25 - 38	2,5 - 3,8	100 - 150		H3	1:4
375	>21	>26	>38	>3,8	>150		Tvrda	H4

*1 Broj obnova omekšivača vode*2: Broj ciklusa pranja*3

*2 Obnova omekšivača vode provodi se na kraju glavnog pranja prema **Eco** programu.

*3 Ciklus pranja sastoji se od 4 faze (pretpranja, glavnog pranja, ispiranja, toplog ispiranja) prema **Eco** programu.

Postavljanje sustava za omekšavanje vode

Za učinkovite rezultate pranja podesite postavku u skladu s tvrdoćom vode koja se upotrebljava u opskrbi vodom. Omekšivač vode ima 5 razina podešavanja, a uređaj je tvornički programiran za razinu tvrdoće vode H2. Zadanu vrijednost postavke možete provjeriti i prilagoditi ako slijedite sljedeće korake:

1 Istovremeno pritisnite tipku **Napajanje i Half Load (Pola opterećenja)**.

- Naznačena je trenutačna vrijednost postavke.


2 Pritisnite tipku **Delay Start (Odgođeno pokretanje)** i zatim postavite željenu vrijednost.

- Raspon vrijednosti je od H0 do H4.


3 Pritisnite tipku **Start (Pokretanje)** da biste spremili postavku.

- Napajanje se isključuje nakon spremanja.

NAPOMENA

- Ako sol za perilicu posuđa nije u sustavu za omekšavanje, na zaslonu se prikazuje ikona **za dodavanje soli** .
- Ako je postavka tvrdoće postavljena na H0, ne prikazuje se ikona, neovisno o soli.

Punjenje soli za perilicu posuđa

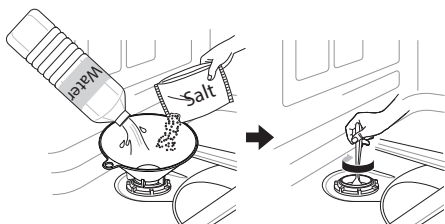
Prije pokretanja programa pranja potrebno je napuniti dozator soli. Ako nema dovoljno soli, na zaslonu se pojavljuje ikona **za dodavanje soli** , osim ako je razina tvrdoće vode postavljena na H0.

OPREZ

- Nakon što napunite sol za perilicu posuđa, morate odmah pokrenuti ciklus ispiranja da biste uklonili sol i slanu vodu iz unutrašnjosti bubnja kako biste spriječili koroziju.

1 Uklonite donji stalak i čep dozatora soli koji se nalazi lijevo od filtera.

2 Prije prve upotrebe uređaja potrebno je istovremeno dodati 1 kg soli za perilicu posuđa i 1 litru vode ako namjeravate upotrebljavati sustav za omekšavanje vode. Kada dodajete sol, upotrebljavajte lijevak. Pogledajte odjeljak **Prije upotrebe**.



3 Ponovno čvrsto postavite čep.

4 Pokrenite ciklus **Rinse (Ispiranje)** bez posuđa.

Ciklus punjenja soli (1 kg za svako punjenje)

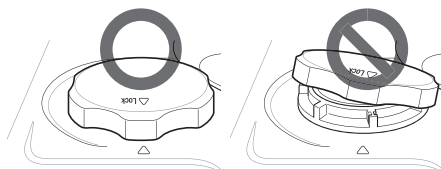
	H1	H2	H3	H4
Ciklusi	130	50	20	10

- Tablica sadrži informacije o programu **Auto (Automatski)**.
- Ciklus može varirati ovisno o količini punjenja soli.

⚠ OPREZ

- U dozator soli nemojte ulijevati deterđent. To bi moglo uzrokovati kvar.
- Obrišite sol ako se prospe oko čepa dozatora soli. Otopina soli koja tako nastaje može uzrokovati koroziju bubnja i posuđa u perilici posuđa.
- Ispravno zabrtvite čep tako da ga vodoravno poravnate i okrenete u smjeru kazaljke na satu. Labavo pričvršćen čep može uzrokovati curenje otopine soli iz dozatora natrag u bubanj, što će uzrokovati koroziju.
- Nakon što napunite soli za perilicu posuđa, program pranja potrebno je pokrenuti bez

posuđa, jer bi prosuta sol unutar uređaja mogla uzrokovati hrđu ili oštećenje uređaja ako se ne opere.



NAPOMENA

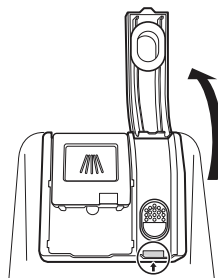
- Sol se može nabaviti od distributera soli.

Dodavanje sredstva za ispiranje

Kada je potrebno dodati još sredstva za ispiranje, na zaslonu se prikazuje pokazatelj **sredstva za ispiranje**.

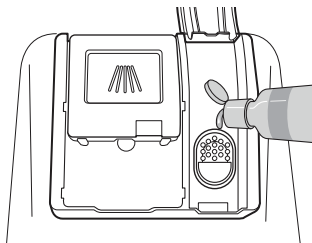
Upotreba sredstva za ispiranje preporučuje se kako bi se spriječio nastanak mrlja od vode na posuđu i kako bi se poboljšali rezultati sušenja.

1 Otvorite poklopac sredstva za ispiranje tako da podignete preklap.



2 Dodajte tekuće sredstvo za ispiranje do maksimalne razine punjenja. Sredstvo za ispiranje treba se slegnuti u dozatoru tijekom

punjenja jer bi u suprotnome mješurici zraka mogli uzrokovati slabe rezultate sušenja.



- 3** Zatvorite poklopac da biste zaključali dozator. Sredstvo za ispiranje distribuirano se automatski tijekom posljednjeg ciklusa ispiranja.

⚠ OPREZ

- Obrišite proliveno sredstvo za ispiranje kako biste spriječili nastanak sapunice.

NAPOMENA

- U uređaju upotrebljavajte samo tekuće sredstvo za ispiranje.
- Nemojte prepuniti dozator sredstva za ispiranje.
- Prevelika ili premala količina sredstva za ispiranje može pogoršati rezultate sušenja.
- Ako sredstvo za ispiranje iscuri iz dozatora, obrišite ga. U suprotnome može nastati prevelika količina sapunice i ostaviti mrlje na perilici posuđa.

Postavljanje razine sredstva za ispiranje

Dozator ima pet razina podešavanja. Zadani je program razina sredstva za ispiranje 2. To se može provjeriti i promijeniti s pomoću tipki na upravljačkoj ploči.

- 1** Pobrinite se da je uređaj isključen.
- 2** Istovremeno pritisnite **Napajanje** i **Dual Zone (Dvostruka zona)** da biste provjerili trenutnu postavku.

- 3** Pritisnite **Delay Start (Odgođeno pokretanje)** da biste promijenili postavku dozatora sredstva za ispiranje. Svakim pritiskom tipke postavka se mijenja za jedan korak od L0 (isključeno) do L4.

- 4** Nakon što odaberete željenu postavku dozatora sredstva za ispiranje, pritisnite **Start (Pokretanje)** da biste spremili.
 - Napajanje se isključuje nakon spremanja.

⚠ OPREZ

- Ako poklopac sredstva za ispiranje nije ispravno zatvoren, velika će se količina sredstva za ispiranje osloboditi u bubanj, što će uzrokovati probleme s pranjem.



NAPOMENA

- Ikona za **odavanje sredstva za ispiranje** ✨ zasvijetlit će kada je potrebno još sredstva za ispiranje.
- Ako primijetite mutne mrlje, crte ili tragove vode na staklenom posuđu nakon pranja, povećajte razinu postavke.
- Ako je postavljena previsoka razina, može doći do pjenjenja, što će uzrokovati loše rezultate pranja.
- Ako su na staklu vidljive mrlje ili ako se na dnu nalazi pjena, smanjite razinu.
- Ako je razina sredstva za ispiranje postavljena prenisko, mogu nastati točke i crte na posuđu i rezultati sušenja bit će loši.

Pregled rada

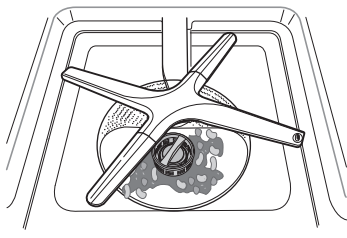
Korištenje perilice rublja

- 1** Pritisnite tipku **Napajanje**.
 - Uređaj će se uključiti. Provjerite pokazatelje.
- 2** **Provjerite je li prisutno sredstvo za ispiranje i sol za posuđe.**

- Ako odgovarajuće ikone svijetle, ponovno napunite sredstvom za ispiranje ili soli. Više informacija potražite u odjeljku **Ponovno punjenje**.
-  : Dodavanje soli
-  : Ikona za dodavanje sredstva za ispiranje

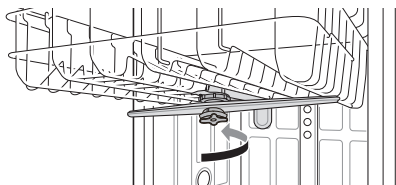
3 Otvorite vrata i provjerite filtre.

- Uvijek čistite filtre nakon ili prije pranja kako se ne bi pogoršali rezultati pranja.



4 Pobrinite se da se krak za prskanje neometano rotira.

- Pobrinite se da se gornji i donji krakovi za prskanje dobro rotiraju. Ako se ne rotira, uklonite krak za prskanje i očistite ga.



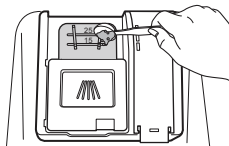
5 Postavite posuđe na stalak.

- Pobrinite se da posuđe ili pribor za jelo nisu postavljeni tako da ometaju krakove za prskanje.
- Nemojte postaviti posuđe jedno na drugo.



6 Dodajte ispravnu količinu deterdženta u prahu u dozator.

- Ako upotrebljavate tablete, možete ih staviti izravno u bazu bubnja ili u donji dio unutrašnje strane vrata.



7 Postavljanje i pokretanje programa.

- Program će se automatski pokrenuti u 4 sekunde nakon što je odabrana bilo koja postavka.

⚠ UPOZORENJE

- Nemojte stavljati predmete na gornji stalak ako je donji stalak izvučen van i napunjen. U suprotnome može doći do ozljede jer bi uređaj mogao postati uneravnotežen i prevrnuti se.
- Gurnite gornji stalak unutra do kraja.
- Najprije ispraznite donji stalak, a zatim gornji. Time ćete izbjeći curenje vode s gornjeg stalka na posuđe na donjem stalku.
- Nemojte otvarati vrata tijekom rada uređaja ili odmah nakon što je ciklus pranja završen, jer bi para mogla uzrokovati opekotine kada se vrata otvore.

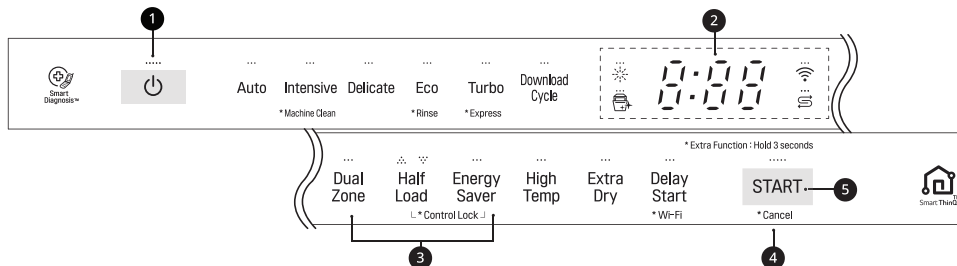
NAPOMENA

- U uređaju nikada nemojte upotrebljavati tekuće sredstvo za suđe.
- Ne preporučuje se ručno ispiranje posuđa prije upotrebe perilice posuđa jer se time povećava potrošnja vode i energije.
- Pranjem posuđa u kućanskoj perilici posuđa obično se troši manje energije i vode tijekom upotrebe nego ručnim pranjem posuđa ako se kućanska perilica posuđa upotrebljava u skladu s uputama proizvođača.

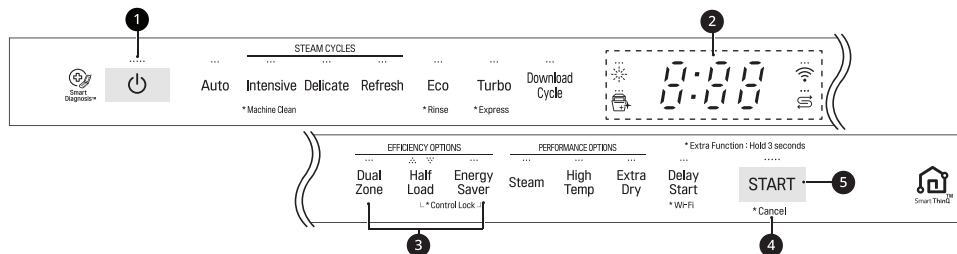
Upravljačka ploča

Značajke upravljačke ploče

Za modele bez pare



Za parne modele





1 Napajanje

- Pritisnite tipku **Napajanje** da biste uključili ili isključili napajanje.
- Nakon što se ciklus završi, napajanje će se automatski isključiti zbog sigurnosti i uštede.
- Ako dođe do strujnog udara, nestanka struje ili bilo kakvog ometanja, napajanje će se automatski isključiti zbog sigurnosti.
- Kada se napajanje opet spoji, uređaj će se automatski uključiti i ciklus će se nastaviti.

2 Zaslom

- **8:88 : Digitalni zaslon**
 - Digitalni zaslon na upravljačkoj ploči prikazuje PROCIJENJENO vrijeme ciklusa. Kada se odabere ciklus i opcije, zaslon prikazuje ukupno procijenjeno vrijeme koje je potrebno za dovršavanje tih odabira. Tijekom rada zaslon prikazuje procijenjeno preostalo vrijeme rada.
 - Procijenjeno vrijeme prikazano na zaslonu ne uključuje vrijeme odgode za grijanje vode itd.
 - Ako je odabrano **Delay Start (Odgođeno pokretanje)**, zaslon prikazuje vrijeme odgode u satima.
 - Vrijeme ciklusa **Auto (Automatski)** može se razlikovati, ovisno o razini zaprljanosti posuđa.
- **☼ : Sredstvo za ispiranje**
 - Ikona treperi kada je razina sredstva za ispiranje niska. LED lampica automatski se isključuje kada se u uređaj ponovno doda sredstvo za ispiranje ili kada je razina postavljena na 0.
- **🧼 : Čišćenje stroja**

- Ikona treperi nakon svakih 30 ciklusa.
- Da biste aktivirali ili deaktivirali ikonu, pritisnite tipku **Delicate (Osjetljivo)** 3 sekunde.
-  : **Wi-Fi**
 - Kada je uređaj povezan na internet putem kućne Wi-Fi mreže, ova će ikona svijetliti.
-  : **Dodavanje soli**
 - Ikona treperi kada je razina soli niska. LED lampica automatski se isključi kada se u uređaj ponovno doda sol.

3 Zvuk uklj./isklj.

- Da biste aktivirali ili deaktivirali zvuk tipki, istovremeno pritisnite i držite **Dual Zone (Dvostruka zona)** i **Energy Saver (Ušteda energije)** 3 sekunde. Zvuk obavijesti o pogrešci ne može se isključiti.

4 Cancel (Poništi)

- Odvodna se pumpa aktivira i ciklus se otkaže. Nakon što uređaj završi s odvodom, napajanje će se ponovno uključiti.
- Pritisnite i držite tipku **Start (Pokretanje)** 3 sekunde da biste aktivirali funkciju otkazivanja.

5 Start (Pokretanje)

- Da biste pokrenuli uređaj, zatvorite vrata i pritisnite tipku **Start (Pokretanje)**.
- Ako se unutar 4 minute ne pritisne tipka **Start (Pokretanje)** za pokretanje ciklusa, napajanje će se automatski isključiti.

Ciklusi pranja

Auto (Automatski)

Ovaj ciklus prepoznaje količinu zaprljanosti i čistoću vode i optimizira pranje kako bi se postiglo najbolje čišćenje. Vrijeme pranja može varirati ovisno o razini zaprljanosti.

Intensive (Intenzivno)

Ovaj je ciklus namijenjen jako zaprljanom posuđu i posuđu sa stvrdnutom prljavštinom. Ovom je ciklusu zadan najjači intenzitet prskanja i upotrebljava se za pranje jako zaprljanog posuđa.

Delicate (Osjetljivo)

Ovaj ciklus upotrebljavajte za čišćenje osjetljivih predmeta poput porculana i čaša sa stalkom.

Refresh (Osvježiti)

Ovaj ciklus osvježava i zagrijava posuđe koje se nije upotrebljavalo duže vrijeme.

- Pri upotrebi ovog ciklusa nemojte upotrebljavati deterdžent.

Eco

Omogućuje najučinkovitiju potrošnju energije i vode za dobre rezultate pranja i za dobre rezultate sušenja na normalno zaprljanom posuđu te troši jako malo energije.

Turbo

Ovaj će ciklus čistiti umjereno zaprljano posuđe i trošiti malo više energije i vode.

- Opcija **Extra Dry (Jako sušenje)** postavljena je kao zadana. Ako ne želite sušiti posuđe nakon pranja, isključite opciju **Extra Dry (Jako sušenje)**. Ako ne sušite posuđe, vrijeme ciklusa bit će kraće.

Download Cycle (Preuzimanje ciklusa)

Upotrijebite određeni ciklus koji se može preuzeti putem Wi-Fi ili NFC veze (ovisno o modelu).

NAPOMENA

- Na uređaju se pojavljuje samo šifra ciklusa koji je trenutno preuzet. Pogledajte aplikaciju pametnog telefona za šifre ciklusa, nazive i više informacija o dostupnim ciklusima.
 - Zadani ciklus: P1. Lonci i tave

- Pritisnite i držite tipku **Turbo** 3 sekunde za aktiviranje.

NAPOMENA

- Ovaj ciklus ne sadrži sušenje. Odaberite opciju **Extra Dry (Jako sušenje)** ili drugi ciklus za bolje sušenje. Opcija **Extra Dry (Jako sušenje)** dodat će se ukupnom vremenu ciklusa.
- Pri upotrebi ciklusa **Express (Brzo)** ne preporučuje se deterđent u tableti. Ako se upotrebljava deterđent u tableti, na posuđu mogu ostati ostaci deterđenta zbog niskih temperatura ispiranja.

Machine Clean (Čišćenje stroja)

Ovaj je ciklus namijenjen za čišćenje unutar uređaja. Upotrijebite ovaj ciklus kada u perilici nema posuđa. Ciklusom se uklanja prljavština, neugodan miris, bijele točke, kamenac i ostala prljavština. Dodajte limunsku kiselinu ili drugo sredstvo za čišćenje za učinkovitije rezultate.

- Pritisnite i držite tipku **Intensive (Intenzivno)** 3 sekunde za aktiviranje.

Rinse (Ispiranje)

Ovaj je ciklus namijenjen za brzo ispiranje samo za posuđe koje se neće odmah prati. Ciklusom se ispire posuđe na kojem ima previše prljavštine kako bi se omekšali osušeni ostaci. Ispiranje posuđa pomaže u sprečavanju neugodnih mirisa u uređaju.

- Pritisnite i držite tipku **Eco** 3 sekunde za aktiviranje.

NAPOMENA

- Za ovu opciju nemojte upotrebljavati deterđent.
- Ovaj ciklus ne sadrži sušenje.

Express (Brzo)

Ovaj će ciklus brzo očistiti blago zaprljano posuđe.

Opcije i dodatne funkcije

Odaberite tipku željenog ciklusa i zatim odaberite opcije za taj ciklus. Za više informacija pogledajte poglavlje **Vodič za cikluse/opcije**.

Dual Zone (Dvostruka zona)

Ova opcija automatski postavlja slab intenzitet prskanja za gornji krak za prskanje i jak intenzitet prskanja za donji krak za prskanje. Za najbolje rezultate postavite jako zaprljano posuđe poput tanjura i zdjela na donji stalak, a blago zaprljano posuđe poput šalica i malih tanjura na gornji stalak.

Half Load (Pola opterećenja)

Ovom opcijom intenzivno se pere odabirom gornjeg ili donjeg stalka. Za malo opterećenje upotrebljavajte samo gornji ili donji stalak da biste uštedjeli energiju i vrijeme. Pritiskom tipke **Half Load (Pola opterećenja)** dostupne su postavke ∴ (gornji), ∴∴ (donji) i poništavanje ove opcije.

Energy Saver (Ušteda energije)

Ovom se opcijom šteti energija tako što se smanjuju temperature pranja i ispiranja. Vrijeme pranja povećava se kako bi se održali rezultati pranja. Nemojte upotrebljavati ovaj ciklus za jako zaprljano posuđe.

Steam (Para)

Ovom se opcijom dodaje para tijekom ciklusa kako bi se poboljšali rezultati pranja.

High Temp (Visoka temperatura)

Podiže temperaturu glavnog pranja ili toplog ispiranja kako bi se poboljšalo čišćenje.

- Oglasit će se zvučni signal da bi vas obavijestio o preostalim temperaturama u uređaju. Pričekajte da se uređaj u potpunosti ohladi prije nego što otvorite vrata.

Extra Dry (Jako sušenje)

Odaberite ovu opciju za bolje rezultate sušenja. Ova opcija dodaje dodatno vrijeme sušenja ciklusu i podiže temperaturu toplog ispiranja.

- Kada je sredstvo za ispiranje prazno, ova će se opcija odabrati automatski.

Delay Start (Odgođeno pokretanje)

Ova funkcija odgađa početak odabranog ciklusa. Svaki put kada pritisnete tipku **Delay Start (Odgođeno pokretanje)**, vrijeme odgode povećava se za jedan sat. Vrijeme odgode može se postaviti od 1 do 12 sati u povećanjima od jednog sata.

- Da biste otkazali ovu funkciju, isključite napajanje.
- Da biste promijenili ciklus i opciju ciklusa, otvorite vrata i zatim odaberite drugi ciklus i opciju ciklusa. Odbrojavanje će se nastaviti.

Control Lock (Zaključavanje kontrola)

Ova funkcija sprečava da se postavke promijene tijekom ciklusa. Odabirom ove funkcije zaključat će se sve tipke, osim tipke **Napajanje** na upravljačkoj ploči. Ovom se postavkom neće zaključati vrata.

- Na modelima s vanjskim zaslonom dok je ciklus pokrenut istovremeno pritisnite i držite **Half Load (Polu opterećenja)** i **Energy Saver (Ušteda energije)** 3 sekunde da biste aktivirali ili deaktivirali ovu funkciju. Na modelima sa skrivenim zaslonom otvorite vrata tijekom rada i slijedite iste upute.
- Kada je aktivirana ova funkcija, na zaslonu će se prikazati šifra **CL**.
- Da biste pokrenuli novi ciklus, deaktivirajte ovu funkciju.
- Ova se funkcija može postaviti u bilo kojem trenutku uključivanjem uređaja.

Wi-Fi

Pritisnite i držite **Delay Start (Odgođeno pokretanje)** 3 sekunde da biste se povezali na mrežu. Pogledajte odjeljak **PAMETNE FUNKCIJE** za detaljnije informacije o ovoj značajki.

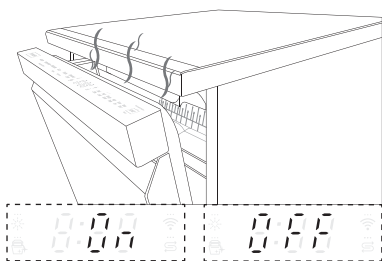
Sušenje s automatskim otvaranjem

Ova značajka može se razlikovati ovisno o kupljenom modelu.

Vrata će se automatski otvoriti na kraju programa koji uključuje sušenje kako bi se poboljšali rezultati sušenja.

- Da biste aktivirali ili deaktivirali ovu funkciju, istovremeno pritisnite i držite tipku **Energy Saver (Ušteda energije)** i tipku **High Temp (Visoka temperatura)** 3 sekunde.
- Ova funkcija nije dostupna kada su odabrani ciklusi **Machine Clean (Čišćenje stroja)** i **Rinse (Ispiranje)**.
- Kada odaberete **Download Cycle (Preuzimanje ciklusa)**, ova značajka može raditi čak i ako je značajka deaktivirana, zbog toga što je značajka **Download Cycle (Preuzimanje ciklusa)** izrađena kako bi postigla najbolje rezultate za određenu svrhu, neovisno o postavkama uređaja.

- Zaslon prikazuje je li funkcija uključena ili isključena.



⚠ UPOZORENJE

- Držite djecu dalje od uređaja dok je uređaj u radu. Izloženost pari visoke temperature može uzrokovati opekline.

SignalLight™

Ova značajka može se razlikovati ovisno o kupljenom modelu.

SignalLight™ prikazuje status uređaja, je li došlo do nekih problema, radi li normalno ili je li spreman za pranje posuđa.

- Ovisno o modelu, lampica se može nalaziti na prednjoj strani uređaja ili na gornjoj strani vrata.

Crveno (lijevo)

Crvena lampica treperi kada dođe do pogreške na uređaju. Za više informacija o pogrešci pogledajte poglavlje **Šifra pogreške** u odjeljku **RJEŠAVANJE PROBLEMA**.

Bijelo (srednje)

Bijela lampica treperi kada odaberete opciju ciklusa ili kada je ciklus pauziran.

- Bijela se lampica uključuje kada je ciklus pokrenut.

Zelena (desno)

Zelena se lampica uključuje kada je ciklus završen. Kada se vrata otvore, lampica se isključuje.

- Ako uređaj ne prepozna da su se vrata otvorila, lampica će se isključiti nakon 90 sekundi.

Tablica programa

Vodič za programe

Na modelima DF425***

Program	Razina zaprljanja	Pranje		Rinse (Ispiranje)		Dry (Sušenje)
		Pre-wash (Pretpiranje)	Glavno pranje	Rinse (Ispiranje)	Toplo ispiranje	
Auto (Automatski)	Sve razine	●	● (65 - 70 °C)	●	● (62 °C) ^{*1} (70 °C) ^{*2}	●
Intensive (Intenzivno)	Jako	●	● (75 °C)	●	● (62 °C) ^{*1} (70 °C) ^{*2}	●
Delicate (Osjetljivo)	Blago	●	● (55 °C)	●	● (62 °C) ^{*1} (70 °C) ^{*2}	●
Refresh (Osvježi)[*]₁		●		●	● (62 °C) ^{*1} (75 °C) ^{*2}	●
Eco	Umjereno	●	● (46 °C) ^{*1} (42 °C) ^{*2}	●	● (54 °C) ^{*1} (64 °C) ^{*2}	●
Turbo	Umjereno	●	● (65 °C)	●	● (62 °C) ^{*1} (65 °C) ^{*2}	
Express (Brzo)	Blago	●	● (45 °C)	●	● (62 °C) ^{*1} (60 °C) ^{*2}	
Rinse (Ispiranje)	Blago			●		
Machine Clean (Čišćenje stroja)		●	● (50 °C)	●	● (70 °C)	●

*1 Uključena je značajka **Sušenje s automatskim otvaranjem**.

*2 Isključena je značajka **Sušenje s automatskim otvaranjem**.

NAPOMENA

- Vrijeme rada može varirati ovisno o temperaturi vode, temperaturi okoline, tlaku vode i naponu.
 - Podaci o navedenim vrijednostima za programe, osim eco programa, služe samo kao referenca.
 - Kada je aktivirana značajka **Sušenje s automatskim otvaranjem**, temperatura toplog ispiranja može varirati.
-

Na modelima DF325***/DF325**

Program	Razina zaprljanja	Pranje		Rinse (Ispiranje)		Dry (Sušenje)
		Pre-wash (Prepranje)	Glavno pranje	Rinse (Ispiranje)	Toplo ispiranje	
Auto (Automatski)	Sve razine	●	● (65 - 70 °C)	●	● (70 °C)	●
Intensive (Intenzivno)	Jako	●	● (75 °C)	●	● (70 °C)	●
Delicate (Osjetljivo)	Blago	●	● (55 °C)	●	● (70 °C)	●
Refresh (Osvježi)* 1		●		●	● (75 °C)	●
Eco	Umjereno	●	● (42 °C)	●	● (64 °C)	●
Turbo	Umjereno	●	● (65 °C)	●	● (65 °C)	
Express (Brzo)	Blago	●	● (45 °C)	●	● (60 °C)	
Rinse (Ispiranje)	Blago			●		
Machine Clean (Čišćenje stroja)		●	● (50 °C)	●	● (70 °C)	●

*1 Za parne modele

NAPOMENA

- Vrijeme rada može varirati ovisno o temperaturi vode, temperaturi okoline, tlaku vode i naponu.
- Podaci o navedenim vrijednostima za programe, osim eco programa, služe samo kao referenca.

Regulacija za Europu (na modelima DF425***)

Program	Potrošnja vode *1	Potrošnja energije (kWh) *1	Trajanje (min) *1
Auto (Automatski)	12,9	0,91 - 0,97	162
Intensive (Intenzivno)	23,1	1,60	185
Delicate (Osjetljivo)	16,5	1,07	124
Eco	9,5	0,85	193
Refresh (Osvježi)	10,0	0,76	120
Turbo	18,5	0,84	78
Express (Brzo)	9,6	0,58	56
Rinse (Ispiranje)	6,6	0,01	18
Machine Clean (Čišćenje stroja)	12	0,78	83

*1 Uključena je značajka **Sušenje s automatskim otvaranjem**.

NAPOMENA

- Navedeni podaci razlikovat će se ovisno o pojedinim uvjetima.

Regulacija za Europu (na modelima DF325***/DF325**)

Program	Potrošnja vode	Potrošnja energije (kWh)	Trajanje (min)
Auto (Automatski)	13,1	1,08 - 1,17	195
Intensive (Intenzivno)	23,9	1,76	185
Delicate (Osjetljivo)	16,8	1,14	124
Eco	9,5	0,95	228
Refresh (Osvježi)* ¹	9,8	0,78	66
Turbo	18,8	0,87	59
Express (Brzo)	12,4	0,61	38
Rinse (Ispiranje)	6,5	0,01	18
Machine Clean (Čišćenje stroja)	12,1	0,75	83

*1 Za parne modele

NAPOMENA

- Navedeni podaci razlikovat će se ovisno o pojedinim uvjetima.

NAPOMENA

- Uredba EU 2019/2022 vrijedi od 1. ožujka 2021. i odnosi se na razred energetske učinkovitosti prema Uredbi EU 2019/2017.
- Skenirajte QR kod na energetskej naljepnici isporučenoj s uređajem što će vam pružiti poveznicu za web stranicu s podacima u svezi učinkovitosti uređaja u EU EPREL bazi podataka. Zadržite energetske naljepnicu kao referencu zajedno s korisničkim priručnikom i svim ostalim dokumentima isporučenim s uređajem.
- Naziv modela nalazi se na nazivnoj pločici uređaja. Otvorite vrata i pogledajte desnu stranu vrata.
- Za pronalaženje iste informacije u EPREL posjetite stranicu <https://eprel.ec.europa.eu> i pretražite koristeći naziv modela. (Vrijedi od 1. ožujka 2021.)

Dostupne opcije

NAPOMENA

- Opcija **Energy Saver (Ušteda energije)** nije dostupna s opcijom **High Temp (Visoka temperatura)** ili **Extra Dry (Jako sušenje)**.
- Opcija **Delay Start (Odgođeno pokretanje)** može se odabrati za svaki program pranja u ovoj tablici.

Za modele bez pare

Program	Dual Zone (Dvostruka zona)	Half Load (Pola opterećenja)	Energy Saver (Ušteda energije)	High Temp (Visoka temperatura)	Extra Dry (Jako sušenje)
Auto (Automatski)	●	●	●	●	●
Intensive (Intenzivno)	●	●		●	●
Delicate (Osjetljivo)		●	●		●
Eco	●	●	●	●	●
Turbo	●			●	●
Express (Brzo)	●			●	●
Rinse (Ispiranje)					
Machine Clean (Čišćenje stroja)					
Download Cycle (Preuzimanje ciklusa)					

Za parne modele

Program	Dual Zone (Dvostruka zona)	Half Load (Pola opterećenj a)	Energy Saver (Ušteda energije)	Steam (Para)	High Temp (Visoka temperatu ra)	Extra Dry (Jako sušenje)
Auto (Automats ki)	●	●	●	●	●	●
Intensive (Intenzivno)	●	●		●	●	●
Delicate (Osjetljivo)		●	●	●		●
Refresh (Osvježi)				●		●
Eco	●	●	●	●	●	●
Turbo	●			●	●	●
Express (Brzo)	●				●	●
Rinse (Ispiranje)						
Machine Clean (Čišćenje stroja)						
Download Cycle (Preuziman je ciklusa)						

Podaci za testiranje

Za modele s funkcijom sušenja s automatskim otvaranjem

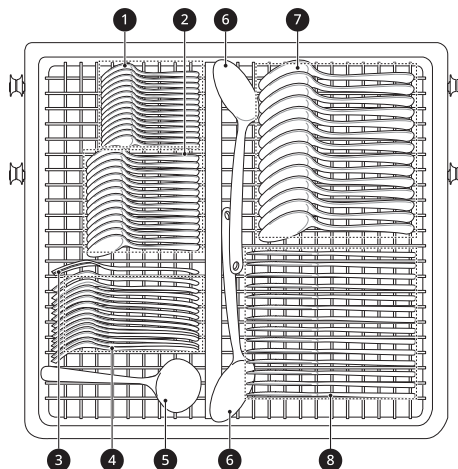
- Kapacitet: 14 kompleta posuđa
- Usporedni program: **Eco**
- Postavka sredstva za ispiranje: L4
- Referenno čišćenje: 22 g deterdženta u unutarnji dozator.
- Stalak podesive visine – U položaj: srednji
- Postavka **Sušenje s automatskim otvaranjem**: uključeno
- Vrsta filtra: ručni

Za modele bez funkcije sušenja s automatskim otvaranjem

- Kapacitet: 14 kompleta posuđa
- Usporedni program: **Eco**
- Postavka sredstva za ispiranje: L4
- Referenno čišćenje: 22 g deterdženta u unutarnji dozator.
- Stalak podesive visine – U položaj: srednji
- Vrsta filtra: ručni

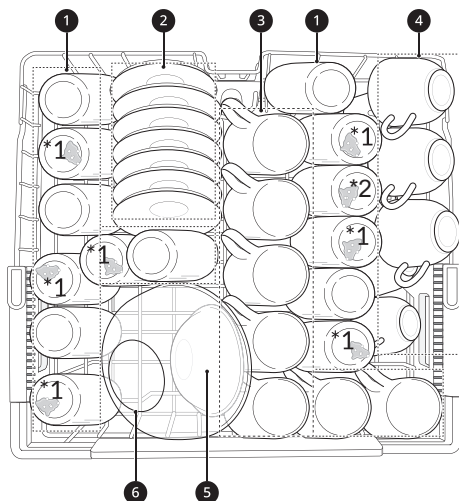
Punjenje perilice posuđa

Košara za pribor za jelo



- 1 Čajne žličice (nezaprljane)
- 2 Desertne žlice (nezaprljane)
- 3 Vilica za posluživanje (nezaprljana)
- 4 Vilice (jaje)
- 5 Grabilica za umak (nezaprljana)
- 6 Žlice za posluživanje (nezaprljane)
- 7 Žlice za juhu (zob)
 - Svaka je druga žlica za juhu zaprljana.
- 8 Noževi (nezaprljani)

Gornji stalak



1 Čaše (mlijeko)

*1 Sedam čaša zaprljano je mlijekom.

*2 Čaša za mlijeko za EN60704-2-3: 2020

2 Tanjurići (crni čaj)

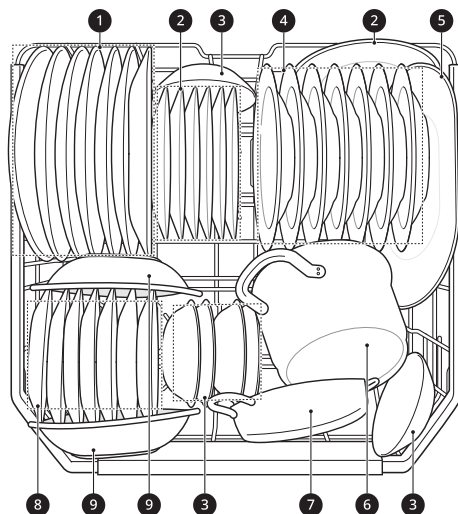
3 Velike šalice (crni čaj)

4 Male šalice (crni čaj)

5 Posudica za desert (zob)

6 Staklena zdjela (meso)

Donji stalak



1 Veliki tanjuri (jaje)

2 Desertni tanjur od melamina (jaje)

3 Posudice za desert (zob)

4 Tanjuri za juhu (zob)

5 Ovalni pladanj (meso)

6 Mali lonac (špinat + margarin)

7 Posuda za pečenje (meso)

8 Desertni tanjuri (špinat)

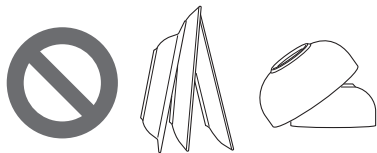
9 Posude od melamina (margarin)

Punjenje perilice posuđa

Za učinkovite rezultate pranja uvijek slijedite upute.

- Uklonite velike dijelove ostataka hrane s tanjura, uključujući kosti itd. prije punjenja. Uvijek isperite tanjure kada ih stavljate u perilicu ako se neće odmah prati.
- Posuđe na kojem je zagorena hrana mora se namočiti prije nego što se stavi u perilicu.
- Posuđe s dubokim dnom treba se postaviti tako da je okrenuto prema dolje.
- Plastično posuđe neće se dobro osušiti u usporedbi s ostalim posuđem.

- Pobrinite se da se posuđe međusobno ne dodiruje.



Posuđe neprikladno za pranje u perilici

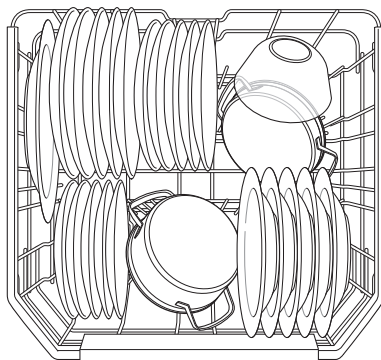
Kombinacija visoke temperature vode i deterdženta za perilicu posuđa može oštetiti određeno posuđe. Nemojte prati sljedeće.

- Bakar i anodizirani aluminij
- Ručno obojeno srebro i posuđe sa zlatnim listićima
- Pribor za jelo s ručkama od drveta ili kosti
- Pribor za jelo od željeza ili pribor za jelo koji nije nehrđajući
- Plastično posuđe koje se ne može prati u perilici
- Skupo posuđe poput srebrnog posuđa i posuđa sa zlatnim prstenjem
- Lomljivo posuđe poput kristalnih čaša

⚠ OPREZ

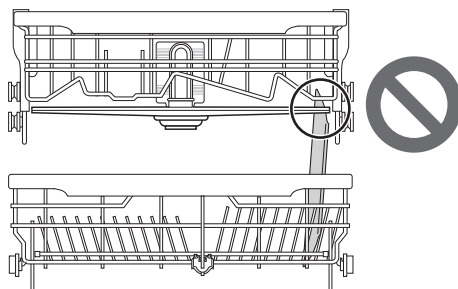
- Nemojte stavljati lonce i tave s plastičnim ručkama u uređaj, jer bi se ručke mogle oštetiti zbog topline i deterdženta.
- Mrlje od vodootpornog ili dugotrajnog ruža za usne na čašama možda se neće ukloniti tijekom pranja.

Da bi se olakšalo stavljanje većeg posuđa u perilicu, prednji red zubaca može se preklopiti prema dolje.



⚠ OPREZ

- Krakovi za prskanje ne smiju biti blokirani posuđem koje je previsoko ili visi kroz košare. Testirajte slobodno kretanje ručnim rotiranjem krakova za prskanje.



Punjenje donjeg stalka

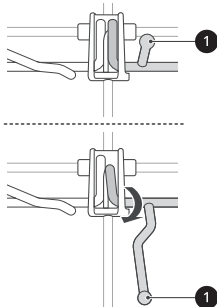
Punjenje za dnevnu upotrebu

Donji stalak pogodan je za velike tanjure, zdjele za juhu, posuđe, lonce, tave, poklopce, pa čak i za pladanj za roštilj.

Tanjure je potrebno postaviti uspravno i tako da su okrenuti prema sredini stalka, a lonce, tave i veliko posuđe potrebno je okrenuti prema dolje.

Preklapanje zubaca stalka prema dolje

Preklopite zupce prema dolje da biste mogli staviti veće posuđe u perilicu; vratite zupce natrag gore za posuđe manje veličine.



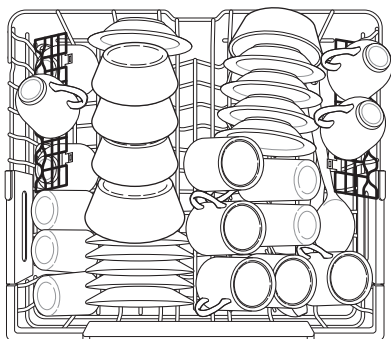
Punjenje gornjeg stalka

Punjenje za dnevnu upotrebu

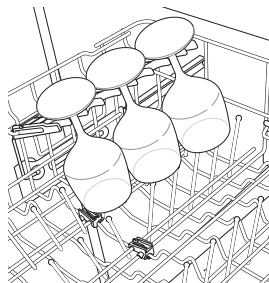
Gornji je stalak prikladan za osjetljivo posuđe poput malih tanjura, dugog pribora za jelo, šalice, čaša i plastičnog posuđa koje je perivo u perilici.

Šalice, čaše i zdjele moraju se postaviti tako da su okrenute prema dolje.

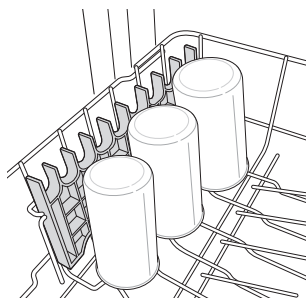
Tanjure je potrebno postaviti u uspravnom položaju.



Stalac za čaše pruža potporu za visoke čaše.

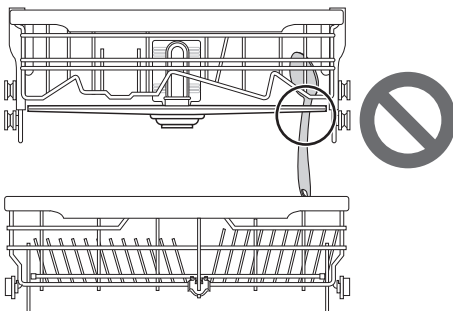


Lijevi red zubaca može se preklopiti prema dolje ili se stalci za šalice mogu preklopiti da bi se napravilo mjesto za visoko zemljano posuđe.



⚠ OPREZ

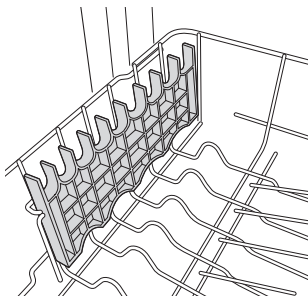
- Krakovi za prskanje ne smiju biti blokirani posuđem koje je previsoko ili visi kroz košare. Testirajte slobodno kretanje ručnim rotiranjem krakova za prskanje.



Uklanjanje ili zamjena stalaka za šalice

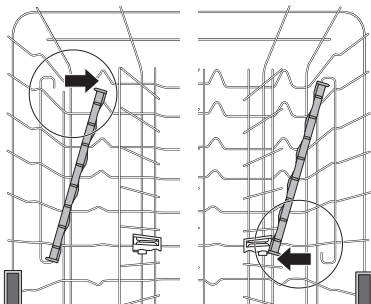
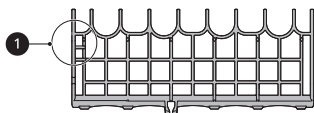
Lijevi i desni stalak za čaše zamjenjivi su i mogu se ukloniti.

- 1 Gurnite stalak za šalice prema dolje u njegov zatvoren položaj.

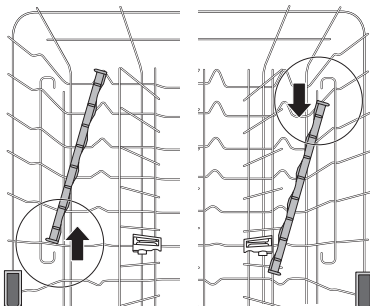


- 2 Locirajte utor za sastavljanje ❶ na stalku za šalice i čvrsto oslobodite stalak s potporne prečke na toj strani.

- Stalac s lijeve strane oslobodit će se sa stražnje strane. Stalac s desne strane oslobodit će se s prednje strane.



- 3 Gurnite stalak za šalice s potporne prečke na suprotnoj strani.

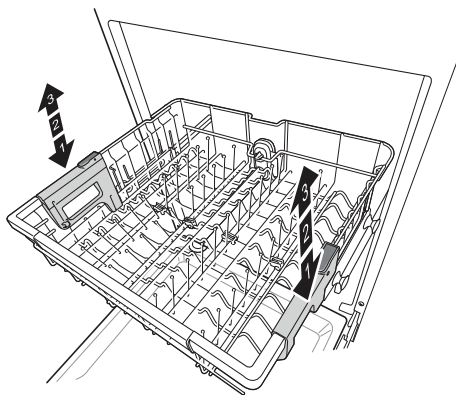


- 4 Izvedite ove upute obrnutim redoslijedom da biste zamijenili stalak za šalice.

Podesiva visina gornjeg stalka

Visina gornjeg stalka može se podesiti kada stavljate visoke čaše ili visoko zemljano posuđe.

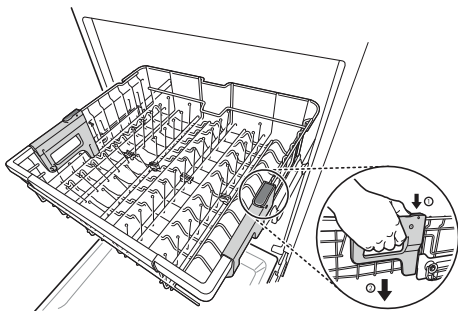
Postoje tri dostupna položaja za podešavanje visine gornjeg stalka kako bi se stvorilo više prostora.



Spuštanje stalka

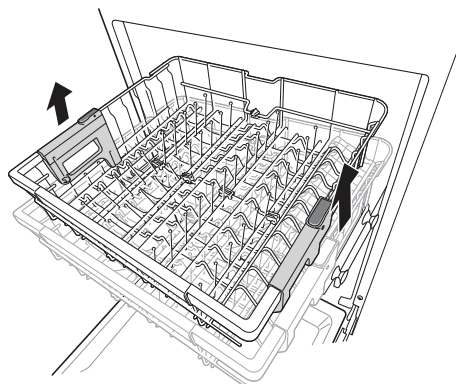
Držite stalak na sredini svake strane da biste podržali njegovu težinu. Zatim pritisnite gumb na

svakoj pojedinoj strani da biste otpustili stalak i spustili ga na niži položaj.



Podizanje stalka

Podignite stalak na sredini svake strane dok se ne blokira na mjestu u gornjem položaju. Nije potrebno dizati poluge za zaključavanje da bi se stalak podigao.



Moguće veličine tanjura s obzirom na položaj gornjeg stalka

Položaj gornjeg stalka	Veličina tanjura (mm)		
	Gornji stalak		Donji stalak
	sa stalkom za pribor za jelo	bez stalka za pribor za jelo	
Gornji	165	215	300
Srednji	193	243	272

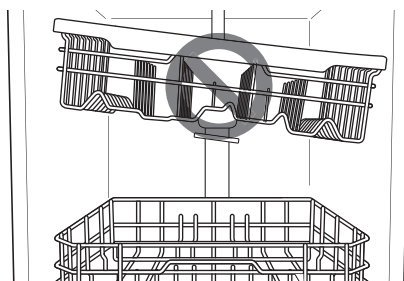
Položaj gornjeg stalka	Veličina tanjura (mm)		
	Gornji stalak		Donji stalak
	sa stalkom za pribor za jelo	bez stalka za pribor za jelo	
Spuštanje	221	271	244

⚠ UPOZORENJE

- Prije podešavanja provjerite da na stalku nema posuđa. U suprotnom bi se posuđe moglo oštetiti ili biste se vi mogli ozlijediti.

NAPOMENA

- Podignite gornji stalak bez pritiskanja tipke na svakoj strani. Pritiskanje tipki tijekom podizanja stalka onemogućit će zaključavanje stalka u jednom položaju.
- Da biste postavili stalak u srednji položaj, jednostavnije je da ga spustite do kraja i zatim podignete svaku stranu stalka pojedinačno sve dok ne klikne na mjesto.



- Kada se gornji stalak pomakne u niži položaj, dobije se 56 mm visine.
- Nakon što podesite razine stalka, provjerite mogu li se krakovi za prskanje slobodno rotirati.
- Kada je gornji stalak u nižem položaju, provjerite ometa li donji dio gornjeg stalka, uključujući i krak za prskanje, posuđe na donjem stalku.
- Kada je gornji stalak u nižem položaju, najprije gurnite gornji stalak, a zatim donji.
- Najprije izvucite donji stalak, a zatim gornji.

- Kada je gornji stalak u nižem položaju, moguća visina posuđa razlikuje se ovisno o modelima na kojima je pričvršćen stalak za pribor za jelo.

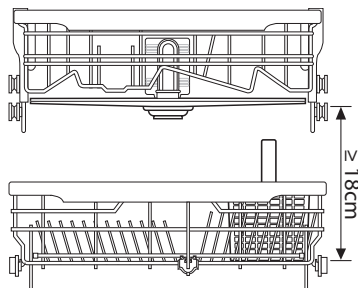
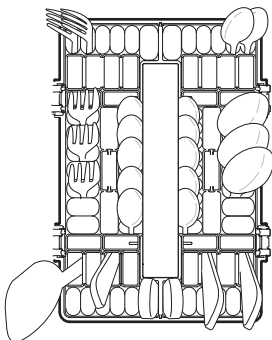
- Pribor za jelo ne bi smio biti duži od 18 cm.

Punjenje košare za pribor za jelo

Punjenje za dnevnu upotrebu

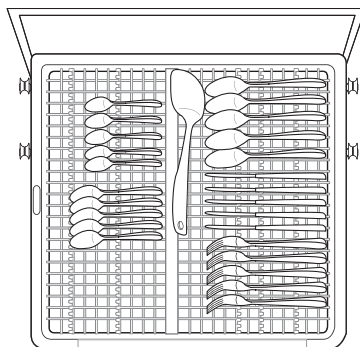
Za veliki pribor za jelo, poput mutilice, poklopac se može otvoriti tako da se skine sa šarki.

Postavite vilice i žlice u košaru za pribor za jelo tako da su im ručke okrenute prema dolje.



Punjenje staka za pribor za jelo

Stalac za pribor za jelo najprikladniji je za tanjure i slično ravno posuđe te za većinu pribora za kuhanje i serviranje. Također je prikladan i za male zdjele i poklopce. Razdjelnici na stalaku za pribor za jelo drže pribor odvojen kako bi se izbjeglo oštećenje i poboljšalo čišćenje.

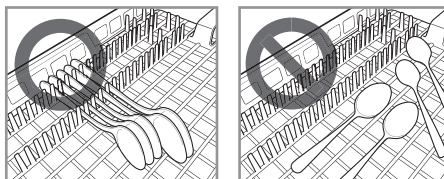


⚠ UPOZORENJE

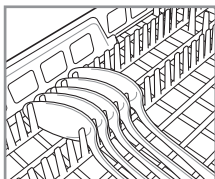
- Da biste spriječili ozljede, postavite noževe i drugi pribor s oštrim vrhovima u košaru za pribor za jelo.
- Ako ih želite staviti u košaru za pribor za jelo, postavite ih tako da im je oštar rub okrenut prema dolje.

⚠ OPREZ

- Nemojte ometati rotaciju krakova za prskanje.

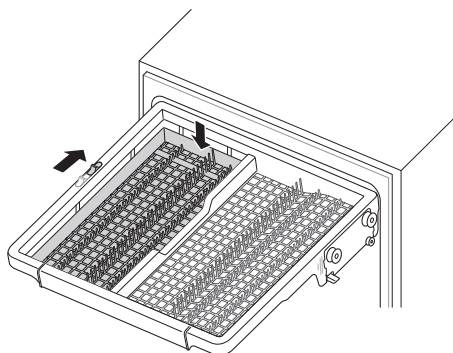


Ako su ručke na vašem priboru za jelo predebele, okrenite pribor tako da su ručke usmjerene u drugu stranu.



Pladanj podesive visine

Pladanj na lijevoj strani može se podesiti na viši ili niži položaj kako bi se mogao postaviti pribor različitih veličina. Uklonite posuđe prije podešavanja pladnja. Podesite pladanj tako da gurnete polugu.



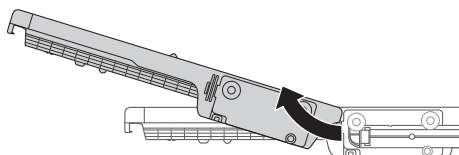
Uklanjanje stalka za pribor za jelo

Cijeli se stalak za pribor za jelo može ukloniti ako je na gornjem staku potrebno više prostora za veće posuđe.

Uvijek uklonite pribor za jelo sa stalka prije nego što uklonite stalak.

Izvucite stalak do kraja vodilica. Zatim podignite prednji dio stalka sve dok se valjci ne zaustave na

kraju vodilice. Stalak se sada može gurnuti naprijed i ukloniti iz vodilice.



⚠ UPOZORENJE

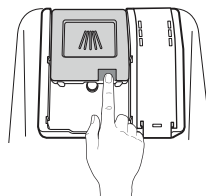
- Budite oprezni pri stavljanju i uklanjanju pribora sa oštrim vrhovima. Oštre noževe postavite s vrhom prema dolje kako biste smanjili rizik ozljede.

Dodavanje sredstava za čišćenje

Dodavanje deterdženta u dozator

- Prije nego što pokrenete uređaj prvi put, uklonite naljepnicu na dozatoru.
- Potrebna količina deterdženta ovisi o ciklusu, veličini punjenja i razini zaprljanosti posuđa.
- Stavite deterdžent u odjeljak za deterdžent prije pokretanja ciklusa, osim kod ciklusa **Rinse (Ispiranje)**.

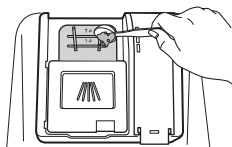
- 1 Pritisnite tipku na poklopcu dozatora da biste ga otvorili.



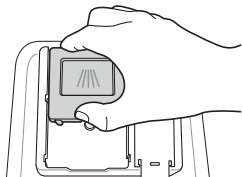
- 2 Dodajte deterdžent u odjeljak za glavno pranje sve dok razina ne dosegne razinu između linija označenih s 15 i 25.

- Napunite više od linije 25 za tvrdu vodu ili jako zaprljano posuđe.

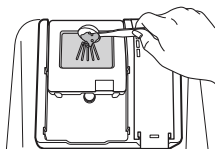
- Napunite do linije 15 za meku vodu ili blago zaprljano posuđe.



- 3** Pritisnite poklopac deterdženta da biste zatvorili poklopac sve dok ne klikne.



- 4** Ako je potrebno pretpranje, napunite ulegnuti odjeljak za pretpranje na poklopcu deterdžentom.



Program	Količina deterdženta
	Glavno pranje (dozator)
Auto (Automatski)	20 g
Intensive (Intenzivno)	20 g
Delicate (Osjetljivo)	20 g
Refresh (Osvježiti)	-
Eco	22 g
Turbo	20 g
Download Cycle (Preuzimanje ciklusa)	20 g
Machine Clean (Čišćenje stroja)	20 g

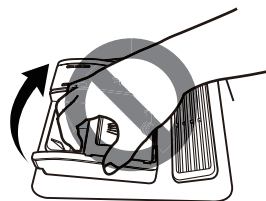
Program	Količina deterdženta
	Glavno pranje (dozator)
Rinse (Ispiranje)	-
Express (Brzo)	20 g

⚠ UPOZORENJE

- Deterdžent za posuđe i sredstvo za ispiranje sadrže kemijske komponente, kao i svi ostali deterdženti za kućanstvo. Zato ih je potrebno držati dalje od dohvata djece.

⚠ OPREZ

- Upotrebljavajte samo deterdžent koji je namijenjen za perilice posuđa. Neispravan deterdžent može dovesti do toga da se uređaj napuni sapunicom tijekom rada. Prevelika količina sapunice može pogoršati rezultate pranja i uzrokovati curenje iz uređaja.
- Da biste izbjegli oštećenje uređaja, nemojte podizati dozator da biste zatvorili vrata uređaja.



- Upotreba neprikladnog deterdženta i sredstva za ispiranje može uzrokovati rizik od štete, korozije, loših rezultata pranja, slabog sušenja ili curenja.
- Upotrebljavajte samo deterdžent i sredstvo za ispiranje koje je kvalificirano određenim standardom. Upotreba nekvalificiranog deterdženta i sredstva za ispiranje može uzrokovati rizik od štete, korozije, loših rezultata pranja, slabog sušenja ili curenja.
- Ako upotrijebite previše deterdženta, može nastati prevelika količina sapunice. To može uzrokovati curenje sapunice i ostanak mrlja na posuđu u perilici.

NAPOMENA


- Prevelika količina deterdženta može ostaviti sloj na posuđu i u bubnju, što će rezultirati lošim rezultatima pranja.
- Nakon pranja provjerite je li se deterdžent potpuno isprao.
- Neki deterdženti u tableti mogu ostati zaglavljani u dozatoru zbog svoje prevelike veličine. Tablete se mogu staviti na bazu bubnja pored filtra prije pokretanja ciklusa.
- U uređaju nikada nemojte upotrebljavati tekuće sredstvo za suđe.
- Pri upotrebi ciklusa **Express (Brzo)** ne preporučuje se deterdžent u tableti. Ako se upotrebljava deterdžent u tableti, na posuđu mogu ostati ostaci deterdženta zbog niskih temperatura ispiranja.

Ponovno punjenje

Da biste održali učinkovite rezultate sušenja, redovito provjerite i ponovno dodajte sredstvo za ispiranje.


Da biste održali učinkovite rezultate pranja, redovito provjerite i ponovno dodajte sol za perilicu posuđa.

Provjera sredstva za ispiranje

Kada zasvijetli ikona za dodavanje sredstva za ispiranje , sredstvo za ispiranje gotovo je potrošeno. Ako je potrebno, ponovno dodajte sredstvo za ispiranje.

Provjera soli za perilicu

Nakon što napunite soli za perilicu posuđa, program pranja potrebno je pokrenuti bez posuđa, jer bi prosuta sol unutar uređaja mogla uzrokovati hrđu ili oštećenje uređaja ako se ne opere.

Kada zasvijetli ikona za dodavanje soli , sol je gotovo potrošena. Ako je potrebno, ponovno dodajte sol.

⚠ OPREZ

- Nemojte dodavati deterdžent ili bilo koju drugu otopinu osim soli za perilicu u kućište omekšivača vode. U suprotnome će doći do kvara sustava za omekšavanje vode.

Korisni savjeti

Sušenje

- Plastično posuđe možda se neće dobro osušiti u usporedbi s ostalim posuđem.
- Da bi se ubrzalo sušenje, možete otvoriti vrata na kratko vrijeme nakon završetka ciklusa.

NAPOMENA

- Pobrinite se da se posuđe međusobno ne dodiruje.
- Ako rezultati sušenja nisu dobri ili ako ostanu mrlje od vode, dodajte opciju **Extra Dry (Jako sušenje)** ili postavite razinu ispiranja.
- Kada upotrebljavate deterdžent u tableti (2 u 1, 3 u 1), možda će biti potrebno dodatno ispiranje, ovisno o količini posuđa. U tom slučaju upotrijebite opciju **Extra Dry (Jako sušenje)** ili postavite razinu ispiranja.

Pražnjenje perilice

- Prije nego što izvadite posuđe, provjerite je li se posuđe ohladilo do te mjere da ga možete držati u rukama.
- Najprije ispraznite donji stalak, a zatim gornji. Time ćete izbjeći curenje vode s gornjeg stalka na posuđe na donjem stalku.

⚠ UPOZORENJE

- Nemojte izvlačiti sve popunjene stalke istovremeno, jer bi se uređaj mogao prevrnuti. Ispraznite stalke jedan po jedan.

PAMETNE FUNKCIJE

Aplikacija LG ThinQ

Aplikacija **LG ThinQ** omogućava komunikaciju s uređajem putem pametnog telefona.

Značajke aplikacije LG ThinQ

Komunicirajte s perilicom putem pametnog telefona koristeći se prikladnim pametnim značajkama.

Praćenje

Ovom se funkcijom provjerava trenutačni status, ciklus, opcije vrijeme rada i vrijeme završetka ciklusa za primjenu na jednom zaslonu.

Download Cycle (Preuzimanje ciklusa)

Možete preuzeti nove i posebne cikluse koji nisu uključeni u osnovne cikluse na uređaju.

Za uređaje koji su uspješno registrirani možete preuzeti razne posebne cikluse specifične za uređaj.

Istodobno se u uređaju može pohraniti samo jedan ciklus.

Nakon preuzimanja ciklusa u uređaj on će ga čuvati do preuzimanja sljedećeg novog ciklusa.

Podsjetnik za čišćenje stroja

Ova funkcija prikazuje koliko je ciklusa preostalo prije no što treba pokrenuti ciklus čišćenja bubnja **Machine Clean (Čišćenje stroja)**.

Smart Diagnosis

Ova funkcija pruža korisne informacije za dijagnosticiranje i rješavanje problema s uređajem na temelju obrasca uporabe.

Postavke

Omogućuju vam da postavite različite opcije na uređaju i u aplikaciji.

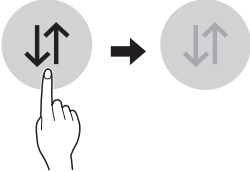
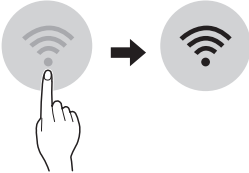
Push upozorenje

Kada je ciklus završen ili uređaj ima problema, imate mogućnost primanja automatskih obavijesti na pametni telefon. Obavijesti se primaju čak i ako je aplikacija **LG ThinQ** isključena.

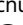
NAPOMENA

- Ako promijenite bežični usmjerivač, davatelja internetskih usluga ili lozinku, izbrisite registrirani uređaj iz aplikacije **LG ThinQ** i ponovno ga registrirajte.
- Aplikacija je podložna promjenama u svrhu poboljšanja uređaja bez prethodne obavijesti korisnicima.
- Značajke mogu varirati ovisno o modelu.

Prije upotrebe aplikacije ThinQ tvrtke LG

- 1 Provjerite udaljenost između uređaja i bežičnog usmjerivača (Wi-Fi mreža).
 - Ako je udaljenost između uređaja i bežičnog usmjerivača prevelika, signal slabi. To može uzrokovati duže vrijeme registriranja ili onemogućiti instalaciju.
- 2 Isključite funkciju **Mobilni podaci** ili **Mrežni podaci** na svom pametnom telefonu.
 
- 3 Povežite svoj pametni telefon s bežičnim usmjerivačem.
 

NAPOMENA

- Kako biste provjerili bežičnu Wi-Fi vezu, provjerite svijetli li ikona  na upravljačkoj ploči.
- Uređaj podržava samo Wi-Fi mreže od 2,4 GHz. Kako biste provjerili mrežnu frekvenciju, obratite se davatelju internetskih usluga ili pogledajte priručnik za bežični usmjerivač.
- **LG ThinQ** nije odgovoran za bilo kakve probleme mrežne veze ili bilo kakve pogreške, kvarove ili greške uzrokovane mrežnom vezom.
- Ako uređaj ima problema pri povezivanju s Wi-Fi mrežom, možda je predaleko od usmjernika (router). Nabavite Wi-Fi repetitor (proširivač raspona) kako biste poboljšali jačinu Wi-Fi signala.
- Wi-Fi veza se možda neće uspostaviti ili može biti prekinuta zbog okoline kućne mreže.
- Mrežna veza možda neće ispravno raditi, ovisno o davatelju internetskih usluga.
- Okolno bežično okruženje može uzrokovati spori rad bežične mreže.
- Uređaj se ne može registrirati zbog problema s bežičnim prijenosom signala. Isključite uređaj i pričekajte oko minutu prije ponovnog pokušaja.
- Ako je na bežičnom usmjerivaču uključen vatrozid (firewall), onemogućite vatrozid ili dodajte izuzetak.
- Naziv bežične mreže (SSID) treba sadržavati kombinaciju latiničnih slova i brojeva. (Nemojte upotrebljavati posebne znakove).
- Korisničko sučelje (UI) pametnog telefona može varirati ovisno o mobilnom operativnom sustavu (OS) i proizvođaču.
- Ako je sigurnosni protokol usmjernika podešen na **WEP** možda nećete moći postaviti mrežu. Molimo promijenite na druge sigurnosne protokole (preporuča se **WPA2**) i ponovno registrirajte proizvod.

telefonu. Slijedite upute za preuzimanje i instaliranje aplikacije.

Deaktivacija mrežne veze

Odsvojite se od kućne Wi-Fi mreže na pametnom telefonu.

- 1 Pokrenite aplikaciju **LG ThinQ**.
- 2 Odaberite i dodirnite **Perilicu posuđa** u aplikaciji.
- 3 Odaberite i dodirnite **Izbriši proizvod** u izborniku postavki da biste ga odsvojili.

Specifikacije bežičnog LAN modula

Model	LCW-003
Raspon frekvencije	2412 do 2472 MHz
Izlazna snaga (maks.)	IEEE 802.11b: 18.37 dBm IEEE 802.11g: 17.67 dBm IEEE 802.11n: 17.67 dBm

Verzija softvera bežične funkcije : verzija 1.0

Radi sigurnosti korisnika, ovaj se uređaj treba postaviti i upotrebljavati na udaljenosti od najmanje 20 cm između uređaja i tijela.

Izjava o sukladnosti



Ovime LG Electronics izjavljuje da je radijska oprema u obliku perilice posuđa u skladu s Direktivom 2014/53/EU. Cijeli tekst EU izjave o sukladnosti dostupan je na sljedećoj internetskoj adresi:

<http://www.lg.com/global/support/cedoc/cedoc#>

Instalacija aplikacije ThinQ tvrtke LG

Potražite aplikaciju **LG ThinQ** u trgovini Google Play Store ili Apple App Store na svom pametnom

LG Electronics European Shared Service Centre B.V.
Krijgsman 1, 1186 DM Amstelveen, Nizozemska



Obavijest s informacijama o softveru s otvorenim izvornim kodom

Za pristup otvorenom kodu prema licencama GPL, LGPL, MPL i ostalim licencama za softver s otvorenim kodom sadržan u ovom uređaju posjetite <http://opensource.lge.com>.

Osim izvornog koda, možete preuzeti sve predmetne uvjete licence, izjave o odricanju odgovornosti i napomene o autorskim pravima.

LG Electronics vam nudi i mogućnost dostave izvornog koda na CD ROM-u uz određenu naknadu troškova za medij, dostavu i obradu narudžbe. Pišite nam na opensource@lge.com. Ponuda vrijedi tri godine nakon naše zadnje otpreme ovog proizvoda. Ponuda vrijedi za sve koji su upoznati s ovom informacijom.

Smart Diagnosis

Ova značajka dostupna je samo na modelima s logotipom  ili .

Upotrijebite ovu značajku za pomoć u dijagnozi i rješavanju problema s uređajem.

NAPOMENA

- Zbog razloga koji se ne mogu pripisati nemaru tvrtke LG, postoji mogućnost da usluga ne radi zbog vanjskih faktora kao što su, između ostalog, nedostupnost Wi-Fi mreže, nepovezanost na Wi-Fi mrežu, lokalna politika trgovine aplikacijama ili nedostupnost aplikacije.
- Značajka se može mijenjati bez prethodne najave i može imati različite oblike ovisno o mjestu na kojem se nalazite.

Upotreba aplikacije ThinQ tvrtke LG za dijagnosticiranje problema

Ako naiđete na problem sa svojim uređajem koji je opremljen funkcijom Wi-Fi, on može prenijeti



podatke za rješavanje problema na pametni telefon putem aplikacije **LG ThinQ**.

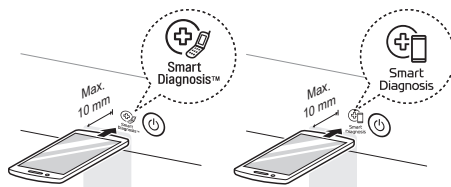
- Pokrenite aplikaciju **LG ThinQ** i odaberite značajku **Smart Diagnosis** u izborniku. Pratite upute aplikacije **LG ThinQ**.

Upotreba zvučne dijagnoze za dijagnosticiranje problema

Pratite sljedeće upute za upotrebu metode zvučne dijagnoze.

- Pokrenite aplikaciju **LG ThinQ** i odaberite značajku **Smart Diagnosis** u izborniku. Pratite upute za zvučnu dijagnozu aplikacije **LG ThinQ**.

- 1 Pritisnite tipku **Napajanje** kako biste uključili perilicu rublja.
 - Nemojte pritiskati druge tipke.
- 2 Približite mikrofonski pametnog telefona logotipu  ili .



- 3 Pritisnite i držite tipku **Download Cycle (Preuzimanje ciklusa)** 3 sekunde ili duže dok držite mikrofonski pametnog telefona uz logotip sve dok se prijenos ne završi.
 - Držite pametni telefon na mjestu dok se prijenos podataka ne završi. Prikazuje se vrijeme preostalo za prijenos podataka.
- 4 Nakon što prijenos podataka završi, dijagnoza će se prikazati u aplikaciji.

NAPOMENA

- Za najbolje rezultate nemojte pomicati pametni telefon dok se tonovi prenose.

Briga o kupcima i servis

Kontaktirajte LG Electronics informacijski centar za kupce.

- Ovlaštene LG Electronics servise pronaći ćete na našoj internetskoj stranici **www.lg.com**, pa slijedite tamo navedene upute.
- Ne preporučuje se samostalno popravljati uređaj jer ga to može dodatno oštetiti i poništiti valjanost jamstva.
- Rezervni dijelovi navedeni u Uredbi 2019/2022 dostupni su tijekom najmanje 7 godina.

ODRŽAVANJE

Da biste održali učinkovitost rada i spriječili probleme, redovito provjeravajte vanjsku i unutrašnju stranu uređaja, uključujući filtre i krakove za prskanje.

⚠ UPOZORENJE

- Za čišćenje vanjske i unutrašnje strane uređaja nemojte upotrebljavati tekućine na bazi otapala poput razrjeđivača ili acetona. To može dovesti do požara ili eksplozije.

NAPOMENA

- Nemojte dopustiti da životinje grizu kabel za napajanje ili crijevo za vodu.

Čišćenje i održavanje

Čišćenje vanjskog dijela

U većini se slučajeva vanjska strana uređaja može očistiti mekom vlažnom krpom ili spužvom, a zatim osušiti mekom krpom. Ako je vanjska strana uređaja od nehrđajućeg čelika, upotrijebite sredstvo za čišćenje nehrđajućeg čelika.

⚠ OPREZ

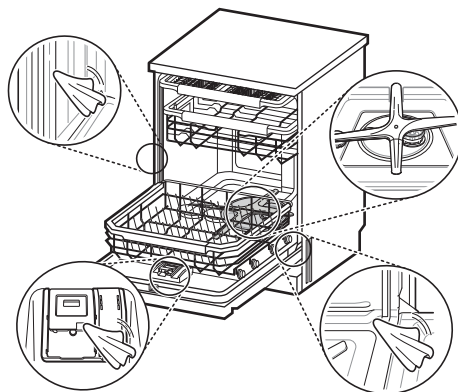
- Ako se ulje za kuhanje prolije na vanjski dio proizvoda, odmah ga obrišite. Vanjsku stranu proizvoda nemojte čistiti sredstvima za čišćenje koja sadrže alkohol, razrjeđivač, izbjeljivač, benzen, zapaljive tekućine ili abrazive. Te tvari mogu uzrokovati promjenu boje uređaja ili oštetiti uređaj.

Čišćenje unutrašnjeg dijela

Preporučuje se čišćenje unutrašnjosti, krakova za prskanje ili filtera svaka dva tjedna.

Redovito čistite unutrašnjost uređaja mekom, vlažnom krpom ili spužvom kako biste uklonili ostatke hrane ili prljavštine.

Nakon završetka pranja ostaci hrane mogu biti zaglavljani u uskim otvorima unutar uređaja. Obrišite sve ostatke hrane.



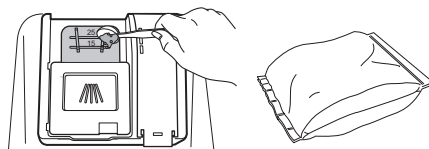
NAPOMENA

- Ako uređaj niste upotrebljavali duže vrijeme, osvježite unutrašnjost tako da pokrenete program **Turbo** ili **Machine Clean (Čišćenje stroja)** s deterdžentom. Kada se ciklus završi, očistite unutrašnju i vanjsku stranu uređaja prema uputama za **ODRŽAVANJE**.

Čišćenje bubnja

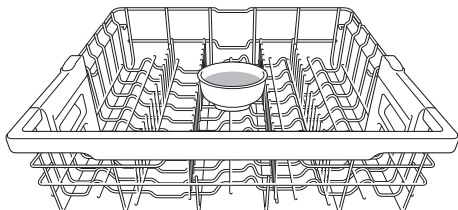
Upotreba limunske kiseline

Uklonite svo posuđe, košaru za pribor za jelo i držač košare za pribor za jelo iz uređaja. U bubnju moraju ostati samo stalci. Za najbolje rezultate upotrebljavajte limunsku kiselinu u prahu (može se pronaći u odjelima s konzerviranom hranom u većini supermarketa ili na internetu). Izmjerite 3 velike žlice (45 g) limunske kiseline u prahu. Napunite odjeljak za glavno pranje tom količinom praha.



Upotreba bijelog octa

Ako nemate limunsku kiselinu u prahu, ulijte oko 3/4 – 1 1/4 šalice (200 – 300 ml) bijelog octa u plitku zdjelu i postavite je na gornji stalak. Pokrenite ciklus **Auto (Automatski)**. Nemojte upotrebljavati deterdžent. Kada se ciklus završi, ponovno ga pokrenite.

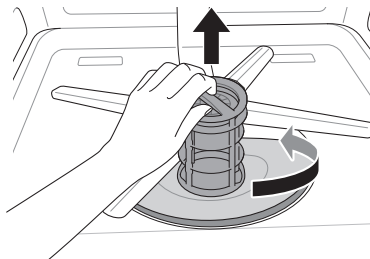


⚠ OPREZ

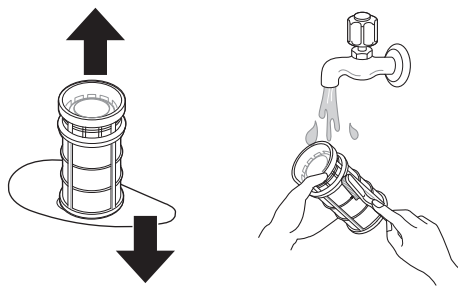
- Nemojte ulijevati ocat izravno u bazu.
- Preobilna upotreba octa može oštetiti uređaj.

Čišćenje filtera

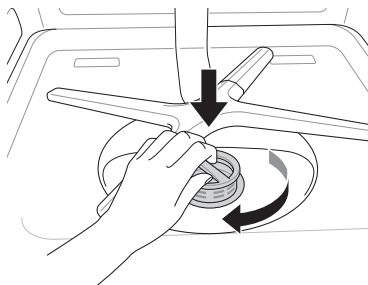
- 1 Uklonite donji stalak i postavite donji krak za prskanje tako da je širi kraj otvoren prema naprijed.
- 2 Okrenite unutrašnji filtar u smjeru suprotnom od kazaljke na satu i izvadite sastavljeni unutrašnji filtar i filtar od nehrđajućeg čelika.



- 3 Očistite filtre mekom četkom i tekućom vodom. Ponovno sastavite filtre prije nego što ih ponovno postavite u uređaj.



- 4 Da biste zamijenili sastavljene filtre, postavite krak za prskanje tako da je širi kraj okrenut prema naprijed. Postavite filtre natrag na držač za filtre i pričvrstite ih tako da okrenete unutrašnji filtar u smjeru kazaljke na satu sve dok ne klikne na mjestu.



⚠ UPOZORENJE

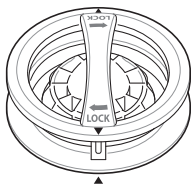
- Pazite na oštre rubove dok rukujete filtrom od nehrđajućeg čelika.

⚠ OPREZ

- Nakon upotrebe uređaja ostaci se hrane filtriraju filtrima. Ako se ostaci hrane ne uklone, to može uzrokovati neugodan miris. Uz to, može doći do problema s odvodom ako ostaci hrane ostanu u filtrima.

NAPOMENA

- Pri sastavljanju, čvrsto rotirajte dok se ne čuje zvuk klika.

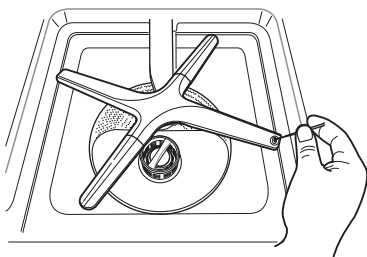
**Čišćenje krakova za prskanje**

Ako su rupe krakova za prskanje blokirane ostacima hrane, posuđe se možda neće dobro prati jer prskanje vode neće biti dovoljno.

Čišćenje donjeg kraka za prskanje

- 1 Pobrinite se da ostaci hrane ne blokiraju otvore za vodeni mlaz.

- 2 Ako ostaci hrane blokiraju otvore krakova za prskanje, uklonite ih iglom ili oštrim sredstvom.

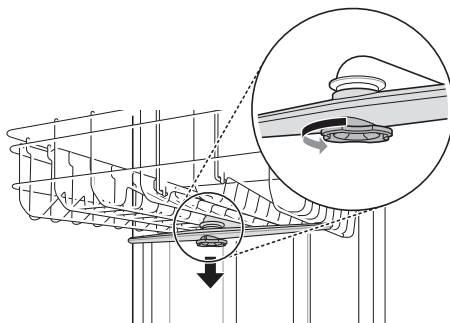
**⚠ OPREZ**

- Da biste izbjegli slamanje krajeva krakova za prskanje, nemojte ih povlačiti ili ručno okretati.

Čišćenje gornjeg kraka za prskanje

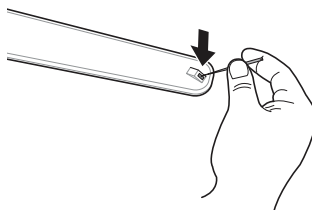
- 1 Gurnite gornji stalak prema naprijed. Pobrinite se da ostaci hrane ne blokiraju otvore za vodeni mlaz.

- 2 Kada je potrebno čišćenje, uklonite gornji krak za prskanje tako da okrenete maticu na dnu kraka za prskanje 1/8 okreta u smjeru suprotnom od kazaljke na satu i povučete prema dolje.



- 3 Uklonite ostatke hrane tako da isperete ili protresete krak za prskanje.

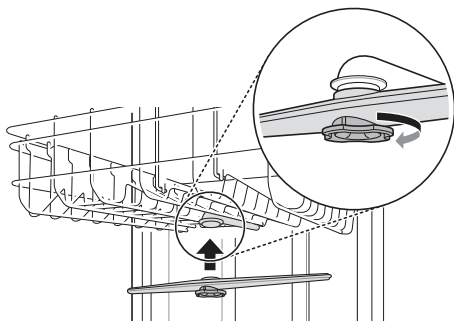
- 4 Ako ostaci hrane blokiraju otvore krakova za prskanje, uklonite ih iglom ili oštrim sredstvom.



- 5 Nakon što uklonite ostatke hrane, očistite otvore krakova za prskanje tekućom vodom.

- 6 Nakon što očistite gornji krak za prskanje, postavite ga natrag na njegovo mjesto. Okrenite maticu 1/8 okreta u smjeru kazaljke

na satu kako biste osigurali da je sigurno na mjestu.



7 Nakon sastavljanja, provjerite rotiraju li se krakovi za prskanje slobodno.

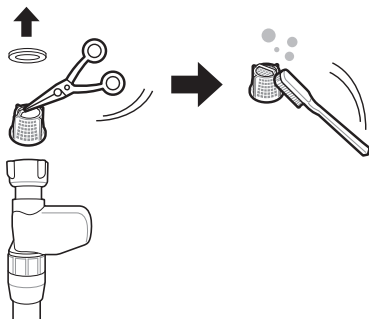
Čišćenje filtra crijeva za dovod vode

1 Isključite perilicu rublja iz napajanja.

2 Zatvorite slavinu za vodu.

3 Odvijte crijevo za dovod vode.

4 Uklonite brtvu i plastični filter s pomoću malih kliješta ili škara.



5 Ponovno postavite filter i brtvu i pobrinite se da su na svom mjestu.

6 Ponovno postavite i pričvrstite crijevo za dovod vode obrnutim redoslijedom. Nemojte upotrebljavati mehanička sredstva za pričvršćivanje crijeva. Možete upotrijebiti meku krpu kao pomoć za ručno pričvršćivanje.

NAPOMENA

- Filtar je postavljen u otvor spoja crijeva za dovod vode.
- Ako u uređaj ne dolazi dovoljno vode, provjerite je li filtir blokiran.
- Ako dolazi do curenja, potrebno je provjeriti je li crijevo za dovod vode ispravno spojeno.
- Nikada nemojte previše stegnuti ventil dovoda vode ili upotrebljavati mehanička sredstva za zatezanje.
- Kada ponovno sastavljate brtvu i filtir, pobrinite se da u njima nema prljavštine ili pijeska koji su došli putem dovoda vode.

Sezonsko održavanje i pohranjivanje

- Ako ćete biti odsutni duže vrijeme tijekom toplijih mjeseci, zatvorite ventil i isključite kabel za napajanje ili isključite strujni prekidač. Očistite filtir, bubanj i dozator da biste spriječili nastanak neugodnih mirisa.
- Ako ćete biti odsutni duže vrijeme tijekom hladnijih mjeseci i ako postoji mogućnost od pojave temperatura smrzavanja, pripremite crijeva za dovod vode i uređaj za zimske uvjete. Pripremu treba obaviti kvalificirano servisno osoblje.

RJEŠAVANJE PROBLEMA

Prije pozivanja servisnog centra

Može doći do pogrešaka i kvarova tijekom rada perilice. Sljedeće tablice sadrže moguće uzroke i napomene za rješavanje poruke o pogrešci ili kvara. Većinu problema možete riješiti sami, čime ćete uštedjeti i vrijeme i novac, jer nećete morati pozvati servisni centar tvrtke LG Electronics. Tablica u nastavku može vam pomoći u rješavanju problema.

Šifre pogreške

Perilica je opremljena sustavom za automatsko praćenje pogrešaka koji otkriva i dijagnosticira probleme u ranoj fazi. Ako perilica ne radi ispravno ili uopće ne radi, provjerite sljedeće prije pozivanja servisnog centra tvrtke LG Electronics.

Simptomi	Mogući uzrok i rješenje
I E	<p>Problem s ulazom vode.</p> <ul style="list-style-type: none"> • Provjerite je li crijevo za dovod vode začepljeno, izvijeno ili smrznuto. • Provjerite dovod vode.
OE	<p>Problem s odvodom.</p> <ul style="list-style-type: none"> • Provjerite je li crijevo za odvod začepljeno, izvijeno ili smrznuto.
	<p>Naglavak za otpad je začepljen.</p> <ul style="list-style-type: none"> • Uklonite blokadu na naglavku za otpad.
	<p>Filtri su začepljeni.</p> <ul style="list-style-type: none"> • Očistite filtre.
bE	<p>Prevelika količina sapunice zbog neispravnog deterdženta, poput tekućeg sapuna za posuđe.</p> <ul style="list-style-type: none"> • Nemojte upotrebljavati tekućine za ručno pranje posuđa. Upotrebljavajte samo deterdžente koji su namijenjeni za upotrebu u automatskim perilicama. • Da biste uklonili ostatke deterdženta u bubnju, ulijte oko 100 ~ 200 ml mlijeka u plitku zdjelu, postavite je na gornji stalak i pokrenite uređaj u ciklusu Auto (Automatski).
	<p>Neispravno poravnavanje uređaja.</p> <ul style="list-style-type: none"> • Pobrinite se da je uređaj ispravno poravnat.
HE	<p>Kvar kruga grijača</p> <ul style="list-style-type: none"> • Pozovite servis ako ponovno dođe do istog problema.
FE	<p>Prevelik dovod vode.</p> <ul style="list-style-type: none"> • Pozovite servis ako ponovno dođe do istog problema.

Simptomi	Mogući uzrok i rješenje
RE	Problem s curenjem vode <ul style="list-style-type: none"> • Pozovite servis ako ponovno dođe do istog problema.
EE	Kvar termistora <ul style="list-style-type: none"> • Pozovite servis ako ponovno dođe do istog problema.
LE	Problem s motorom <ul style="list-style-type: none"> • Pozovite servis ako ponovno dođe do istog problema.
nE	Problem s vario motorom <ul style="list-style-type: none"> • Pozovite servis ako ponovno dođe do istog problema.

Rad

Simptomi	Mogući uzrok i rješenje
Buka	Određena je količina buke normalna tijekom rada. <ul style="list-style-type: none"> • Otvaranje poklopca za deterđent. • Odvodna pumpa na početku ciklusa odvoda.
	Uređaj nije poravnat. <ul style="list-style-type: none"> • Podesite noge za poravnavanje.
	Mlaznica kraka udara o posuđe. <ul style="list-style-type: none"> • Razmjestite posuđe.
	Tlak je vode previsok. <ul style="list-style-type: none"> • Podesite tlak vode.
Uređaj ne radi.	Vrata nisu potpuno zatvorena. <ul style="list-style-type: none"> • Ponovno poravnajte uređaj.
	Napajanje ili kabel za napajanje nisu povezani. <ul style="list-style-type: none"> • Ispravno povežite napajanje ili kabel.
	Kada je aktivirana funkcija Control Lock (Zaključavanje kontrola), na zaslonu će se prikazati šifra CL. <ul style="list-style-type: none"> • Deaktivirajte tipku Control Lock (Zaključavanje kontrola). • Istovremeno pritisnite i držite Half Load (Pola opterećenja) i Energy Saver (Ušteda energije) 3 sekunde da biste aktivirali ili deaktivirali ovu funkciju.
	Osigurač je pregorio ili se strujni prekidač isključio. <ul style="list-style-type: none"> • Zamijenite osigurač ili ponovno postavite strujni prekidač.

Simptomi	Mogući uzrok i rješenje
Uređaj konstantno ispušta zvučne signale kada se otvore vrata, tijekom ili odmah nakon što se ciklus dovrši.	<p>Sadržaj uređaja vruć je i potrebno je paziti kada stavljate ruke u uređaj.</p> <ul style="list-style-type: none"> • Zatvorite vrata dok se uređaj i posuđe ne ohlade. Zvučni će se signal prestati oglašavati ako su vrata zatvorena ili ako se unutrašnja temperatura snizila.
Voda ostaje u koritu nakon dovršetka ciklusa.	<p>Odvodno crijevo je izvijeno ili začepljeno.</p> <ul style="list-style-type: none"> • Podesite crijevo ili uklonite blokadu.
	<p>Voda može ostati ako je napajanje prekinuto prije normalnog kraja rada ili ako je ručno isključeno.</p> <ul style="list-style-type: none"> • Ponovno pokrenite uređaj.
Krakovi za prskanje ne rotiraju se besprijekorno.	<p>Ostaci hrane blokirali su rupe krakova za prskanje.</p> <ul style="list-style-type: none"> • Očistite rupe krakova za prskanje.
Gornji je stalak savinut.	<p>Stalak je loše podešen.</p> <ul style="list-style-type: none"> • Pogledajte poglavlje Podesiva visina gornjeg stalka.
Lampice ne svijetle.	<p>Napajanje nije povezano.</p> <ul style="list-style-type: none"> • Povežite napajanje.
U uređaju je previše pjene.	<p>Nije se upotrebljavao deterđžent namijenjen za ovaj uređaj.</p> <ul style="list-style-type: none"> • Upotrebljavajte deterđžent koji je namijenjen za ovaj uređaj.
	<p>Prevelika količina ispiranja može uzrokovati nastanak pjene.</p> <ul style="list-style-type: none"> • Smanjite razinu doziranja sredstva za ispiranje.
U dozatoru deterđženta ostao je deterđžent.	<p>Gornji je stalak nestabilan.</p> <ul style="list-style-type: none"> • Podesite lijevu/desnu visinu gornjeg stalka.
	<p>Deterđžent se možda neće distribuirati jer loše posloženo posuđe sprečava automatsko otvaranje dozatora deterđženta.</p> <ul style="list-style-type: none"> • Pravilno posložite posuđe i uvijek osušite dozator prije nego što dodate novi deterđžent tako da se ne stvaraju grudice.
Voda curi iz uređaja.	<p>Vrata se ne mogu zatvoriti jer je uređaj nagnut. U tom slučaju može doći do curenja vode.</p> <ul style="list-style-type: none"> • Provjerite poravnanje tako da podesite nogu.
	<p>Pogrešno postavljeno odvodno crijevo može uzrokovati curenje vode.</p> <ul style="list-style-type: none"> • Provjerite spoj odvodnog crijeva.
	<p>Ako je napajanje isključeno, loš spoj sa slavinom može uzrokovati curenje vode.</p> <ul style="list-style-type: none"> • Provjerite spoj crijeva za dovod vode.

Učinak perilice

Simptomi	Mogući uzrok i rješenje
Zamagljenost staklenog posuđa	Kombinacija prevelike količine deterdženta i tvrde vode <ul style="list-style-type: none">• Upotrijebite manje deterdženta i koristite se sredstvom za ispiranje da biste smanjili problem.• Provjerite postavke sustava za omekšavanje.
Crne ili sive oznake na posuđu	Aluminijski predmeti dodiruju posuđe tijekom ciklusa <ul style="list-style-type: none">• Razmjestite posuđe.
Žuti ili smeđi sloj na unutrašnjoj površini uređaja	Mrlje od kave ili čaja <ul style="list-style-type: none">• Uklonite mrlje s pomoću proizvoda za uklanjanje mrlja.
U perilici posuđa ostaje žuta voda.	Pri prvoj upotrebi perilice u spremniku za omekšavanje vode može nastati žuta voda. <ul style="list-style-type: none">• To je normalna pojava i nije štetna za ljude. Nestat će nakon 1 do 3 ciklusa.

Simptomi	Mogući uzrok i rješenje
Točke i taloženje na posuđu	Nije upotrebljena ispravna količina deterdženta <ul style="list-style-type: none"> Upotrijebite preporučenu količinu deterdženta.
	Preveliko opterećenje <ul style="list-style-type: none"> Nemojte previše opteretiti uređaj.
	Neispravno punjenje <ul style="list-style-type: none"> Pogledajte poglavlje RAD.
	Nedovoljan tlak vode <ul style="list-style-type: none"> Tlak vode trebao bi biti između 0,05 i 0,6 MPa.
	Nedovoljno deterdženta <ul style="list-style-type: none"> Dodajte preporučenu količinu deterdženta. Pogledajte poglavlje RAD.
	Dozator sredstva za ispiranje je prazan. <ul style="list-style-type: none"> Napunite dozator sredstvom za ispiranje.
	U omekšivaču vode nema soli ili nema dovoljno soli. <ul style="list-style-type: none"> Provjerite ima li soli u omekšivaču vode.
	Razina tvrdoće vode možda je postavljena prenisko. <ul style="list-style-type: none"> Povećajte vrijednost razine tvrdoće vode.
	Količina sredstva za ispiranje možda nije dovoljna. <ul style="list-style-type: none"> Ponovno dodajte sredstvo za ispiranje ili povećajte razinu doziranja.
	Nakupljanje tvrde vode u bubnju <ul style="list-style-type: none"> Uklonite svo posuđe, košaru za pribor za jelo i držač košare za pribor za jelo iz uređaja. U bubnju moraju ostati samo stalci. Za najbolje rezultate upotrebljavajte limunsku kiselinu u prahu (može se pronaći u odjelima s konzerviranom hranom u većini trgovina hranom ili na internetu). Izmjerite 3 velike žlice (45 g) limunske kiseline u prahu. Napunite odjeljak za glavno pranje tom količinom praha. Ako nemate limunsku kiselinu u prahu, ulijte oko 3/4 – 1 1/4 šalice (200 – 300 ml) bijelog octa u plitku zdjelu i postavite je na gornji stalak. Pokrenite ciklus Auto (Automatski). Nemojte upotrebljavati deterdžent. Kada se ciklus završi, ponovno ga pokrenite.

Simptomi	Mogući uzrok i rješenje
Neugodan miris	<p>Prethodni je ciklus zaustavljen prije dovršetka i ostaci vode ostali su u uređaju.</p> <ul style="list-style-type: none"> Isključite napajanje, pokrenite opciju ciklusa Cancel (Poništi) da biste uklonili ostatke vode, a zatim pokrenite ciklus Turbo s deterdžentom, ali s praznim uređajem.
	<p>Na dnu uređaja ili u filtru ima hrane.</p> <ul style="list-style-type: none"> Očistite filter i unutrašnjost u skladu s poglavljem ODRŽAVANJE korisničkog priručnika.
	<p>Neoprano je posuđe ostalo u uređaju predugo vrijeme.</p> <ul style="list-style-type: none"> Ciklus s jednom šalicom bijelog octa u uređaju koja je postavljena u čašu ili zdjelu na gornjem stalku. (Ocat je kiselina i česta bi upotreba mogla oštetiti vaš uređaj.)
Prljavština od hrane ostaje na posuđu.	<p>Neispravan odabir ciklusa</p> <ul style="list-style-type: none"> Odaberite ispravan ciklus na temelju razine zaprljanosti i vrste posuđa koje se pere.
	<p>Temperatura vode preniska je.</p> <ul style="list-style-type: none"> Provjerite spoj dovoda vode ili postavku grijača vode.
	<p>Nije upotrijebljen deterdžent za posuđe.</p> <ul style="list-style-type: none"> Upotrijebite preporučeni deterdžent za posuđe.
	<p>Nizak tlak ulazne vode</p> <ul style="list-style-type: none"> Tlak vode trebao bi biti između 0,05 i 0,6 MPa.
	<p>Otvori za mlaz vode na krakovima za prskanje blokirani su.</p> <ul style="list-style-type: none"> Očistite krakove za prskanje.
	<p>Neispravno punjenje posuđem.</p> <ul style="list-style-type: none"> Pobrinite se da posuđe ne blokira rotaciju krakova za prskanje ili da ne ometa dozator deterdženta.
	<p>Filtri su začepljeni.</p> <ul style="list-style-type: none"> Očistite filtre.
	<p>Previše neuklonjenih ostataka hrane na posuđu.</p> <ul style="list-style-type: none"> Veliki dijelovi ostataka hrane moraju se ukloniti s posuđa prije početka pranja.

Sušenje

Simptomi	Mogući uzrok i rješenje
Posuđe se ne suši.	<p>Dozator sredstva za ispiranje je prazan.</p> <ul style="list-style-type: none"> • Provjerite i ponovno dodajte sredstvo za ispiranje ako je dozator prazan. Za bolje rezultate sušenja lagano otvorite vrata nakon rada.
	<p>Tablete koje se upotrebljavaju možda ne sadrže sredstvo za ispiranje. To će smanjiti učinkovitost sušenja.</p> <ul style="list-style-type: none"> • Upotrijebite tablete koje sadrže sredstvo za ispiranje (obratite se proizvođaču tablete ako niste sigurni). Također možete upotrijebiti tekuće sredstvo za ispiranje u dozatoru ako tablete ne sadrže sredstvo za ispiranje.
	<p>Odabran je ciklus bez opcije Extra Dry (jako sušenje).</p> <ul style="list-style-type: none"> • Odaberite ciklus koji sadrži opciju Extra Dry (jako sušenje).

Wi-Fi

Simptomi	Mogući uzrok i rješenje
Vaš kućanski aparat i pametni telefon nisu spojeni na Wi-Fi mrežu.	<p>Lozinka za Wi-Fi mrežu na koju se pokušavate spojiti nije ispravna.</p> <ul style="list-style-type: none"> • Pronađite Wi-Fi mrežu na koju je spojen Vaš pametni telefon i uklonite je, a zatim registrirajte svoju perilicu u aplikaciji LG ThinQ.
	<p>Mobilni podaci za Vaš pametni telefon su uključeni.</p> <ul style="list-style-type: none"> • Isključite funkciju Mobile data na svojem pametnom telefonu i registrirajte perilicu rublja putem Wi-Fi mreže.
	<p>Naziv bežične mreže (SSID) je pogrešno postavljen.</p> <ul style="list-style-type: none"> • Naziv bežične mreže (SSID) treba sadržavati kombinaciju latiničnih slova i brojeva. (Nemojte upotrebljavati posebne znakove).
	<p>Frekvencija usmjerivača nije 2,4 GHz.</p> <ul style="list-style-type: none"> • Podržana je samo frekvencija usmjerivača od 2,4 GHz. Postavite bežični usmjerivač na 2,4 GHz i povežite perilicu rublja s bežičnim usmjerivačem. Obratite se svom davatelju pristupa internetu ili proizvođaču usmjerivača kako biste provjerili frekvenciju usmjerivača.
	<p>Udaljenost između uređaja i bežičnog usmjerivača je prevelika.</p> <ul style="list-style-type: none"> • Ako je udaljenost između uređaja i bežičnog usmjerivača prevelika, signal može biti preslab i veza se možda neće uspješno konfigurirati. Premjestite usmjerivač tako da je bliže uređaju.

DODATAK

Podaci o proizvodu

Delegirana uredba Komisije (EU) br. 2019/2017

Ime ili zaštitni znak dobavljača: LG Electronics Inc

Naziv dobavljača*²: LG Electronics European Shared Service Centre B.V., Krijgsman 1, 1186 DM Amstelveen, Nizozemska

*1 Za eco program.

*2 Izmjene tih stavki ne smatraju se relevantnima za potrebe članka 4. stavka 4. Uredbe (EU) 2017/1369.

Identifikacijska oznaka modela: DF425***

Opći parametri proizvoda:

Parametar	Vrijednos t	Parametar	Vrijednos t	
Nazivni kapacitet* ¹ (kompleti posuđa)	14	Dimenzije u centimetrima	Visina	85
			Širina	60
			Dubina	60
Indeks energetske učinkovitosti (EEI)* ¹	49,9	Razred energetske učinkovitosti* ¹	D	
Indeks učinkovitosti pranja* ¹	1,13	Indeks učinkovitosti sušenja* ¹	1,07	
Potrošnja energije u kWh [po ciklusu], na temelju eco programa uz upotrebu hladne vode. Stvarna potrošnja energije ovisit će o tome kako se uređaj upotrebljava.	0,849	Potrošnja vode u litrama [po ciklusu], na temelju eco programa. Stvarna potrošnja vode ovisit će o tome kako se uređaj upotrebljava i o tvrdoći vode.	9,5	
Trajanje programa* ¹ (h:min)	3:13	Vrsta	samostoje ći	
Emisije buke koja se prenosi zrakom* ¹ (dB(A) re 1 pW)	41	Razred emisije buke koja se prenosi zrakom* ¹	B	
Stanje isključenosti (W)	0,49	Stanje pripravnosti (W)	0,49	
Odgodeni početak rada (W) (ako je primjenjivo)	3,99	Umreženi odgodeni početak rada (W) (ako je primjenjivo)	1,99	
Minimalno trajanje jamstva koje nudi dobavljač*²: 2 godine				
Dotadne informacije: www.lg.com				

Identifikacijska oznaka modela: DF325***

Opći parametri proizvoda:

Parametar	Vrijednost	Parametar	Vrijednost
Nazivni kapacitet ^{*1} (kompleti posuđa)	14	Dimenzije u centimetrima	85
		Visina	85
		Širina	60
		Dubina	60
Indeks energetske učinkovitosti (EEI) ^{*1}	55,9	Razred energetske učinkovitosti ^{*1}	E
Indeks učinkovitosti pranja ^{*1}	1,13	Indeks učinkovitosti sušenja ^{*1}	1,07
Potrošnja energije u kWh [po ciklusu], na temelju eco programa uz upotrebu hladne vode. Stvarna potrošnja energije ovisit će o tome kako se uređaj upotrebljava.	0,951	Potrošnja vode u litrama [po ciklusu], na temelju eco programa. Stvarna potrošnja vode ovisit će o tome kako se uređaj upotrebljava i o tvrdoći vode.	9,5
Trajanje programa ^{*1} (h:min)	3:48	Vrsta	samosto jeći
Emisije buke koja se prenosi zrakom ^{*1} (dB(A) re 1 pW)	42	Razred emisije buke koja se prenosi zrakom ^{*1}	B
Stanje isključenosti (W)	0,26	Stanje pripravnosti (W)	0,26
Odgođeni početak rada (W) (ako je primjenjivo)	3,99	Umreženi odgođeni početak rada (W) (ako je primjenjivo)	1,99
Minimalno trajanje jamstva koje nudi dobavljač^{*2}: 2 godine			
Dodatne informacije: www.lg.com			

Identifikacijska oznaka modela: DF325**

Opći parametri proizvoda:

Parametar	Vrijednost	Parametar	Vrijednost	
Nazivni kapacitet* ¹ (kompleti posuđa)	14	Dimenzije u centimetrima	Visina	85
			Širina	60
			Dubina	60
Indeks energetske učinkovitosti (EEI)* ¹	55,9	Razred energetske učinkovitosti* ¹	E	
Indeks učinkovitosti pranja* ¹	1,13	Indeks učinkovitosti sušenja* ¹	1,07	
Potrošnja energije u kWh [po ciklusu], na temelju eco programa uz upotrebu hladne vode. Stvarna potrošnja energije ovisit će o tome kako se uređaj upotrebljava.	0,951	Potrošnja vode u litrama [po ciklusu], na temelju eco programa. Stvarna potrošnja vode ovisit će o tome kako se uređaj upotrebljava i o tvrdoći vode.	9,5	
Trajanje programa* ¹ (h:min)	3:48	Vrsta	samosto jeći	
Emisije buke koja se prenosi zrakom* ¹ (dB(A) re 1 pW)	44	Razred emisije buke koja se prenosi zrakom* ¹	B	
Stanje isključenosti (W)	0,26	Stanje pripravnosti (W)	0,26	
Odgođeni početak rada (W) (ako je primjenjivo)	3,99	Umreženi odgođeni početak rada (W) (ako je primjenjivo)	1,99	
Minimalno trajanje jamstva koje nudi dobavljač*²: 2 godine				
Dodatne informacije: www.lg.com				

Delegirana uredba Komisije (EU) br. 1059/2010

Naziv ili zaštitni znak dobavljača	LG			
Dobavljačeva identifikacijska oznaka modela	DF425***	DF325***	DF325**	
Nazivni kapacitet, za standardnu količinu kompleta posuđa, za standardni ciklus pranja	14			kompleti posuđa
Razred energetske učinkovitosti	A+++	A++	A++	
Dodijeljen „znak za okoliš EU-a“ sukladno Uredbi (EZ) br. 66/2010	Ne			
Potrošnja energije „X“ kWh godišnje, na temelju 280 standardnih ciklusa pranja hladnom vodom i potrošnja načina koji upotrebljavaju malo energije. Stvarna potrošnja energije ovisit će o tome kako se uređaj upotrebljava.	237	266	266	kWh/godišnje
Potrošnja energije (Et) standardnog ciklusa pranja	0,83	0,944	0,944	kWh
Potrošnja struje u isključenom načinu	0,49	0,26	0,26	W
Potrošnja struje u stanju mirovanja	0,49	0,26	0,26	W
Potrošnja vode „X“ litara godišnje, na temelju 280 standardnih ciklusa pranja. Stvarna će potrošnja vode ovisiti o tome kako se uređaj upotrebljava.	2700			litara/godišnje
Razred učinkovitosti sušenja „X“ na ljestvici od G (najmanje učinkovit) do A (najučinkovitiji)	A			
„Eco“ je standardni ciklus za pranje na koji se odnose informacije na oznaci i u informacijskom listu. Taj je program prikladan za pranje normalno zaprljanog posuđa i najučinkovitiji je program u smislu kombinirane potrošnje energije i vode.				
Vrijeme programa za standardni ciklus pranja	193	228	228	min
Trajanje stanja mirovanja (TI)	1			min
Emisije buke koja se prenosi zrakom	41	42	44	dB(A)
Samostojeće				

Bilješka

KÉZIKÖNYV

MOSOGATÓGÉP



A telepítés megkezdése előtt figyelmesen olvassa el az utasításokat. EZ leegyszerűsíti a telepítést, és helyes, biztonságos üzembe helyezést garantál. Telepítés után tartsa az utasításokat a készülék közelében.

MAGYAR

DF425*** / DF325*** / DF325**

TARTALOMJEGYZÉK

A jelen kézikönyvben szereplő képanyag, illetve tartalom eltérhet az Ön által vásárolt modelltől.

A kézikönyvet a gyártó bármikor átdolgozhatja.

BIZTONSÁGI ELŐÍRÁSOK

HASZNÁLATBAVÉTEL ELŐTT OLVASSA EL AZ ÖSSZES UTASÍTÁST	4
FIGYELMEZTETÉSEK	4
ÓVINTÉZKEDÉSEK.....	10
KÖRNYEZETTUDATOSSÁG.....	11

TELEPÍTÉS

Alkatrészek és specifikációk.....	12
A szekrény nyílásának előkészítése	14
A készülék vízszintes beállítása	17
Vízleeresztő tömlő elhelyezése	18
Víz- és elektromos csatlakozások előkészítése.....	19
Végső ellenőrzés szerelésnél.....	20

ÜZEMELTETÉS

Használat előtt.....	22
Üzemeltetés áttekintése	25
Vezérlőpanel	27
Mosási ciklusok	28
Beállítások és extra funkciók	29
Programtáblázat	32
Információ a tesztelésről	40
A mosogatógép megtöltése	41
Tisztítószerek hozzáadása	47
Újratöltés.....	49
Hasznos ötletek	49

INTELLIGENS FUNKCIÓK

LG ThinQ Alkalmazás	50
Smart Diagnosis (Okos diagnosztika).....	52

KARBANTARTÁS

Tisztítás és ápolás	54
---------------------------	----

HIBAELHÁRÍTÁS

A szerviz felhívása előtt58

FÜGGELÉK

Termékadatlap65

BIZTONSÁGI ELŐÍRÁSOK

HASZNÁLTBAVÉTEL ELŐTT OLVASSA EL AZ ÖSSZES UTASÍTÁST

A következő biztonsági irányelvek célja a termék nem biztonságos vagy helytelen használatából adódó váratlan veszélyek vagy sérülések megelőzése.

Az irányelvek „FIGYELMEZTETÉS” és „VIGYÁZAT” részekre oszlanak az alábbiakban leírtak szerint.

Biztonsági üzenetek



Ez a szimbólum a veszély kockázatával járó esetek és műveletek jelölésére szolgál.

Figyelmesen olvassa el a szimbólummal jelölt részt, és a kockázatok elkerülése érdekében kövesse az utasításokat.



FIGYELMEZTETÉS

Ez jelzi, hogy az utasítások követésének elmulasztása súlyos sérülést vagy halált okozhat.



VIGYÁZAT

Ez jelzi, hogy az utasítások követésének elmulasztása kisebb sérülést vagy a termék sérülését okozhatja.

FIGYELMEZTETÉSEK



FIGYELMEZTETÉS

- A termék használata során a tűz, az áramütés vagy a személyi sérülés kockázatának csökkentése érdekében mindig tartsa be az alábbi alapvető biztonsági óvintézkedéseket.
-

Műszaki biztonság

- A készüléket nem használhatják olyan személyek (a gyermekeket is beleértve), akik csökkent fizikai, érzékelési vagy mentális képességekkel rendelkeznek, illetve nem rendelkeznek megfelelő tapasztalattal és ismeretekkel, kivéve, ha a használat felügyelet alatt történik vagy a biztonságukért felelős személytől útmutatást kaptak a termék biztonságos használatára vonatkozóan. Ügyeljen arra, hogy gyermekek ne játszhassanak a készülékkel.
- Kövesse a specifikációkban a mosogatógépben elmosható terítékek maximális számára vonatkozóan megadott információkat.
- A víznyomás 0,05 MPa és 0,6 MPa között legyen.

Telepítés

- Ne próbálja meg üzemeltetni a készüléket, ha az sérült, nem megfelelően működik, részlegesen szét van szerelve, vagy valamely alkatrésze hiányzik vagy törött (beleértve a sérült kábelt és csatlakozódugót is).
- Ha a tápkábel sérült, vagy a fali aljzat meglazult, ne használja a tápkábelt, és vegye fel a kapcsolatot egy hivatalos LG szervizközponttal.
- Ne módosítsa a készülékhez biztosított tápkábelt. Az inkompatibilitásával kapcsolatban forduljon az LG ügyfélszolgálatához.
- A készülék mozgatását lehetőség szerint legalább két személy, biztonságos módon végezze.
- Ne szerelje a készüléket nedves, illetve poros helyre. Ne szerelje és ne tárolja a készüléket kültéren, illetve olyan helyen, ahol különböző időjárási körülményeknek, például közvetlen napfénynek, szélnek, esőnek vagy fagypont alatti hőmérsékletnek lehet kitéve.
- A készülék elektromos hálózatra csatlakoztatásakor ne használjon egyszerre több fali aljzatot, hosszabbítót, illetve adaptert.
- Húzza ki a tápkábelt, vagy kapcsolja le a biztosítékot vagy az áramköri megszakítót a készülék telepítése vagy szervizelése előtt.

- Ha a terméket más helyre viszi vagy telepíti, hívjon szakképzett szerviztechnikust a telepítéshez vagy szervizeléshez.
- Rögzítse a vízleeresztő tömlőt a helyére.
- Ez a készülék nem tengeri használatra vagy olyan mobil berendezésekben történő felhasználásra lett kialakítva, mint pl. szabadidős járművek, vontatók vagy repülőgépek.
- Ezt a készüléket elektromos áramellátás közelébe kell helyezni.
- A készülék telepítésekor vagy áthelyezésekor legyen óvatos, nehogy becsípje, összenyomja vagy károsítsa a tápkábelt.
- A készülékkel új vagy a készülékhez mellékelt tömlőt használjon. Használt tömlők alkalmazása vízszivárgáshoz vezethet, ami anyagi kárt okozhat.
- A készülék földelésére szolgáló vezetőkábel helytelen csatlakoztatása áramütés kockázatával járhat. Ha nem biztos abban, hogy a készülék megfelelően van-e földelve, kérje szakképzett villanszerelő vagy szervizmunkatárs segítségét.
- Ezt a készüléket földelni kell. Hibás működés vagy meghibásodás esetén a földelés az elektromos áram legkisebb ellenállás irányába történő elvezetésével csökkenti az áramütés kockázatát.
- A készülék földelésre szolgáló vezetőkábellel rendelkező tápkábellel és földelő hálózati csatlakozódugóval van felszerelve. A tápkábel hálózati csatlakozódugóját egy, a helyi törvényeknek és előírásoknak megfelelően telepített és földelt fali aljzatba kell csatlakoztatni.
- Telepítés után ellenőrizze, hogy a tömlőcsatlakozások szivárognak-e, mielőtt a készüléket a szekrénynyílásba helyezi.
- Ne tegyen kárt, illetve ne helyezzen nehéz tárgyakat a készülék tápkábelére.
- Ez a készülék csak háztartási és otthoni használatra készült; kereskedelmi célokra nem használható.
- Rögzített csatlakozású mosogatógép esetén: Ezt a készüléket földelt fémből készült állandó vezetékrendszerhez kell csatlakoztatni, vagy berendezés-földelő vezetőt kell az áramköri vezetőkkel együtt működtetni, és a készülék berendezés-földelő kapocsára vagy vezetőjére kell csatlakoztatni.

- Csatlakoztassa a földelő vezetéket a csatlakozódobozban lévő zöld földelő csatlakozóra.

Üzemeltetés

- Azonnal húzza ki a dugaszt, és hívja az LG Electronics ügyfélszolgálatát, ha szokatlan hang, szag vagy füst távozik a készülékből.
- Ne javítsa, illetve cserélje ki a készülék alkatrészeit. Bármilyen javítási, illetve karbantartási munkát kizárólag szakképzett karbantartó végezhet, kivéve, ha erről a használati útmutató kifejezetten másként nem rendelkezik. A javításhoz vagy karbantartáshoz hivatalos, gyári pótalkatrészeket kell használni.
- Soha ne hagyja nyitva a készülék ajtaját. A gyermekek felmászhatnak rá vagy bemászhatnak a készülék belsejébe, ami károkat vagy sérüléseket okozhat.
- A készülék közelében ne használjon gyúlékony gázokat vagy éghető anyagot (benzolt, benzint, gázolajat, hígítót, petróleumot, alkoholt stb.).
- Ne kísérelje meg a panelek eltávolítását, illetve a készülék szétszerelését. A készülék működtetésekor ne nyúljon éles vagy hegyes tárgygal a vezérlőpanelhez.
- Ne hajlítsa meg túlzottan a tápkábelt, és ne helyezzen rá nehéz tárgyat.
- Ne tegyen állatot a termék belsejébe.
- Ne érjen nedves kézzel a hálózati csatlakozódugóhoz és a készülék kezelőgombjaihoz.
- Ha gázszivárgást (izobután, propán, földgáz, stb.) észlel, ne érintse meg a készüléket, illetve a hálózati csatlakozódugót, és azonnal szellőztesse ki a helyiséget.
- Árvíz esetén húzza ki a dugaszt, és hívja az LG Electronics ügyfélszolgálatát.
- Bizonyos feltételek mellett hidrogéngáz képződhet olyan forróvízes-rendszerben, amelyet legalább két hétig nem használtak. A **HIDROGÉNGÁZ ROBBANÉKONY**. Ha a forróvízes-rendszert ennyi

ideje nem használták, akkor a készülék használata előtt nyissa meg az összes melegvizes csapot, és hagyja néhány perctet folyni. Ezzel kiengedi az összegyűlt hidrogéngázt. Mivel a gáz gyúlékony, ne dohányozzon és ne használjon nyílt lángot ezen idő alatt.

- A készülék alatti és körüli területen ne tároljon gyúlékony anyagokat, például kötszert, papírt, törölkendőt, vegyi anyagokat stb.
- Egyes mosogatószeres erősen lúgos hatásúak. Lenyelve rendkívül veszélyesek lehetnek. Bőrre és szembe ne kerüljön, és a gyermekeket tartsa távol a mosogatógéptől, amikor az ajtó nyitva van. Ellenőrizze, hogy a mosószer tartálya üres legyen a mosogatási ciklus végeztével.
- Ne működtesse a készüléket, kivéve, ha minden burkolat megfelelően a helyén van.
- Csak olyan mosószert vagy nedvesítő anyagokat használjon, amelyek a készülékhez ajánlottak, és tartsa azokat gyermekektől távol.
- Ne mosson és szárítson olyan termékeket, amelyeket robbanékony anyagokba merítettek, például benzin, oldószerek, oldószer alapú mosószerek.
- A mosogatandó termékek behelyezésekor:
 - Az éles eszközöket úgy helyezze el, hogy azok ne károsítsák az ajtó tömítését.
 - Az éles késeket a nyelükkel felfelé helyezze be, hogy csökkentse a vágási sérülések kockázatát.
- Ne mosogasson műanyag eszközöket, kivéve, ha azok „mosogatógépben mosható” vagy hasonló jelöléssel vannak ellátva. Az ilyen jelölést nem tartalmazó műanyag eszközök esetében tekintse meg a gyártó ajánlásait.
- Ne érintse meg a fűtőelemet (ahol az védtelen) használat közben vagy közvetlenül azt követően.
- Ne babrálja, üljön vagy álljon a mosogatógép ajtajára vagy edénytartójára.
- Az edények elmosása után zárja el a csapot. Nyissa meg ismét a csapot, és tisztítás előtt ellenőrizze a vízellátás csatlakozását.
- Ne nyissa ki az ajtót, miközben a készülék üzemel. A víz kifröccsen, és csúszásveszélyt okozhat.

- Legyen óvatos, hogy ne csukja oda a kezét a készülék ajtajának becsukásakor.
- Ne mosson és szárítson olyan termékeket, amelyeket robbanékony anyagokba merítettek, például benzin, oldószerek, oldószer alapú mosószerek.
- Ne érintkezzen a felszerelt gőzkivezetővel.
- A kis alkatrészek, például a rácsok kapcsai és a szűrőtartók kisgyermeknél lenyelés veszélyét hordozzák, ha azokat kiveszik a mosogatógépből. Kisgyermekektől tartsa azokat távol.
- Az éles késeket és evőeszközöket hegyes végükkel lefelé vagy vízszintesen fektetve helyezze a kosárba.
- Az ajtót ne hagyja nyitva, mivel az botlásveszélyt okozhat.

Karbantartás

- A tápkábelt ne a vezetéknél fogva húzza ki a konnektorból. Fogja meg erősen a hálózati csatlakozódugót, majd egy határozott, egyenes mozdulattal húzza ki azt a fali aljzatból.
- A hálózati csatlakozódugót biztonságosan, valamint teljesen szárazra törölve és portalanítva dugja be a fali aljzatba.
- Ne permetezzen vizet a készülék belsejébe vagy külsejére tisztítás céljából.
- A készülék tisztításának megkezdése előtt húzza ki a tápkábelt a konnektorból. A készülék bekapcsoló mechanizmusának „KI” állásba kapcsolásakor, illetve a készülék készenléti módba helyezésekor a készülék nem kerül leválasztásra az elektromos hálózatról.

Leselejtezés

- A régi gép leselejtezése előtt áramtalanítsa. A helytelen használat elkerülése érdekében vágja el a kábelt közvetlenül a készülék mögött.
- A csomagolóanyagokat (például műanyag zacskókat vagy hungarocell elemeket) tartsa gyermekektől távol. A csomagolóanyagok fulladást okozhatnak.

- A készülék leselejtezése vagy elszállítása előtt távolítsa el az ajtót, hogy gyermekek vagy kisebb állatok ne záródhassanak be véletlenül a készülékbe.

ÓVINTÉZKEDÉSEK

VIGYÁZAT

- A termék használata során tűz, áramütés vagy a terméket használó személy sérülése kockázatának csökkentése érdekében mindig tartsa be az alábbi alapvető biztonsági óvintézkedéseket, beleértve a következőket:
-

Telepítés

- A terméket szilárd és egyenletes alapzatra állítsa.
- Ne helyezze a vízleeresztő tömlőt a mosogatógép alá szerelés közben.

Üzemeltetés

- Zárja el a vízcsapot, és húzza ki a készüléket, ha azt hosszabb ideig nem fogja üzemeltetni, például üdülés alatt.
- Ne helyezzen tárgyakat a készülék tetejére.
- Ne törölje vagy vonja be a termék felületét folyékony mosószerrel vagy fehérítővel (klóros fehérítő, oxigénes fehérítő stb.). Ha nem követi ezeket az utasításokat, akkor az a bevonat korrózióját vagy elszíneződését okozhatja.
- Ne érintse meg a gépből távozó vizet, mert az forró lehet.
- Ha a vízleeresztő tömlő és a vízbevezető tömlő télen megfagy, használat előtt olvassza fel.
- Ne tegye a kezét, a lábát, illetve fém tárgyakat a készülék alá vagy mögé.
- Ne mosson vegyi anyagokkal szennyezett edényeket, pl. olaj, krém vagy testápoló, amelyeket masszázsszalokban, bőrápolási

termékeket árusító üzletekben, szépségszalonokban vagy fodrászszalonokban használnak.

Karbantartás

- Ha sütőolaj került a termékre, azonnal törölje le. Ne tisztítsa meg a termék külsejét olyan tisztítószerrel, amelyek alkoholt, hígítókat, fehérítőt, benzint, gyúlékony folyadékokat vagy súrolószereket tartalmaznak. Ezek az anyagok elszínezhetik vagy károsíthatják a készüléket.

KÖRNYEZETTUDATOSSÁG

A régi készülék ártalmatlanítása



- A leselejtezett elektromos és elektronikai termékeket a háztartási hulladéktól elkülönítve kell begyűjteni, a jogszabályok által kijelölt módon és helyen.
- Régi készülékeinek megfelelő leselejtezése segíthet megelőzni az esetleges egészségre vagy környezetre ártalmas hatásokat.
- Ha további információra van szüksége régi készülékeinek leselejtezésével kapcsolatban, lépjen kapcsolatba velünk a szelektalok.hu oldalon ahol tájékoztatjuk Önt visszavételi, átvételi, gyűjtési és kezelési kötelezettségeinkről.

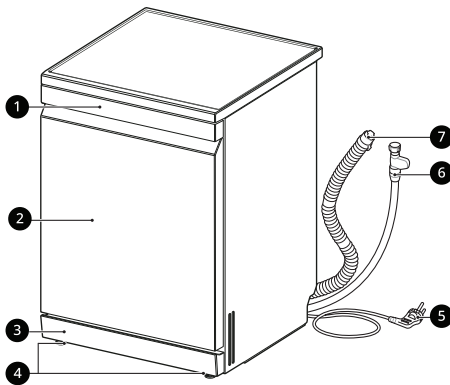
TELEPÍTÉS

Alkatrészek és specifikációk

MEGJEGYZÉS

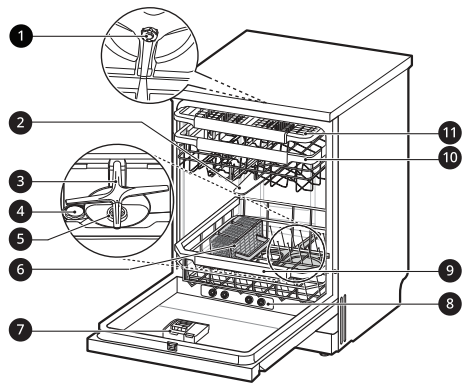
- A készülék minőségének javítása érdekében a készülék megjelenése és műszaki jellemzői előzetes értesítés nélkül módosulhatnak.

Elülső nézet



- 1 Vezérlőpanel és ajtófogantyú
- 2 Előlap
- 3 Alsó burkolat
- 4 Szintezőláb
- 5 Tápkábel
- 6 Vízbekötő tömlő
- 7 Vízleeresztő tömlő

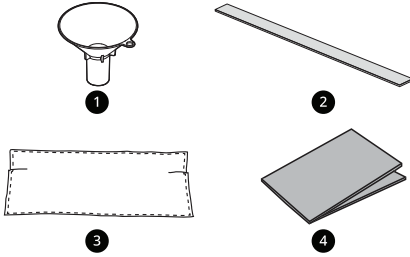
Belső nézet



- 1 Felső mosó lapát
- 2 Felső szórókar
- 3 Alsó szórókar
- 4 Sótartó fedele
- 5 Szűrőrendszer
- 6 Evőeszköztartó*¹
- 7 Mosószer és öblítőszer adagoló
- 8 Gőzfúvó*¹
- 9 Alsó rács
- 10 Felső rács
- 11 Evőeszköztartó*¹

*1 Ez a funkció csak néhány modellen elérhető.

Tartozékok



- ❶ Tölcsér
- ❷ Zajcsík *1
- ❸ Filcborítás
- ❹ Nedvességzáró szalag (alumíniumszalag)

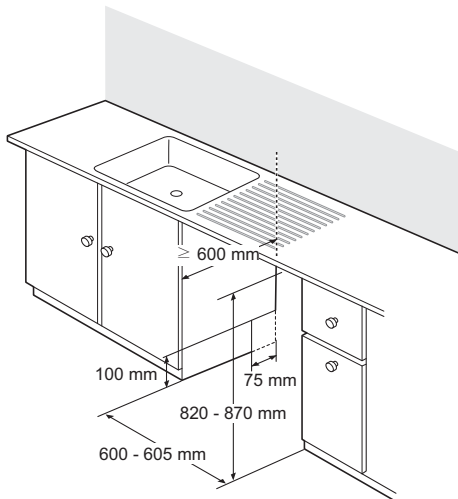
*1 Zajcsíkok vannak elhelyezve: alul - 1 EA, elől - 1 EA, oldalt - 2 EA

Specifikációk

Modell	DF325*** / DF325**	DF425***
Tápforrás	220 - 240 V~, 50 Hz	
Méret (szélesség x mélység x magasság) (Szélesség X Mélység X Magasság)	600 mm X 600 mm X 850 mm	
Súly	Kb. 49 kg	Kb. 52 kg
Max. kapacitás	14 teríték beállítása	
Megengedett bemeneti víznyomás	0,05 - 0,6 MPa	
Energiafogyasztás	1600 - 1800 W	

A szekrény nyílásának előkészítése

A megfelelő hely kiválasztása



- A készüléket vízszintes és stabil padlóra állítsa.
- Vágjon ki nyílást a tömlőknek és az elektromos kábeleknek mindkét oldalon (körülbelül 100 mm X 75 mm).
- Válasszon ki egy helyet a mosogatóhoz minél közelebb, hogy könnyen csatlakoztassa vízbevezető és vízleeresztő csöveket.
- A vízvezetés biztosítása érdekében a készüléket ne helyezze 1 méternél távolabb a mosogatótól.
- Ha a készüléket sarokba telepíti, hagyjon minimum 50 mm távolságot a készülék és a mellette lévő szekrény vagy fal között.
- Mielőtt a nyílásba csúsztatja a készüléket, csavarkulccsal végezze el a magasság beállítását.

⚠ VIGYÁZAT

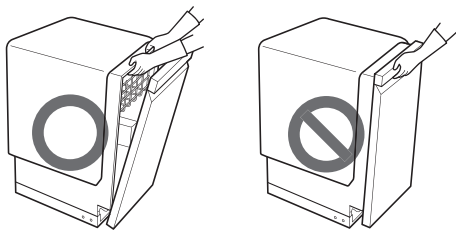
- A készüléket körülvevő nyers fa borításokat vízálló festékkel vagy szigetelő anyaggal kezelje nedvesedés ellen.
- Csúsztassa a mosogatógépet a szekrénynyílásba óvatosan. Ellenőrizze, hogy a gép mögötti és a

szekrényben lévő vízleeresztő tömlő nincs-e összegubancolódva vagy megfeszítve.

- Telepítse a készüléket lapos és stabil felületre. Ne helyezzen tárgyat a padlózat és a készülék alja vagy lába közé.

MEGJEGYZÉS

- A telepítést szakképzett szerviztechnikusnak kell elvégeznie a szabályos telepítés érdekében.
- Ne húzza vagy emelje a készüléket a fogantyúnál fogva; az ilyen jellegű kezelés kárt tehet az ajtóban és a zsanérokban. Nyissa ki az ajtót fogja meg a vázat és a tároló felső elülső nyílását a készülék mozgatásához vagy emeléséhez.



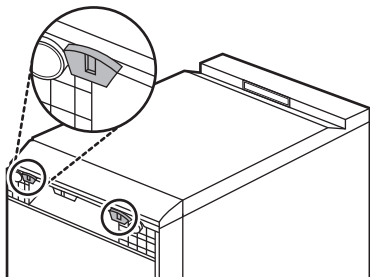
- Ne nyomja a mosogatógép ajtaját a térdével.



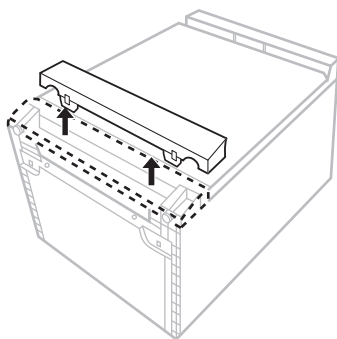
A csík ráhelyezése a készülék aljzatára

A zajcsökkentéshez helyezze fel a csíkot a készülék aljára.

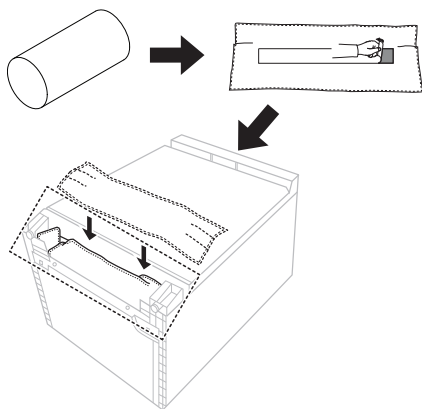
- 1** Fektesse le a készüléket, és húzza meg mindkét horgot az alsó burkolat alján.



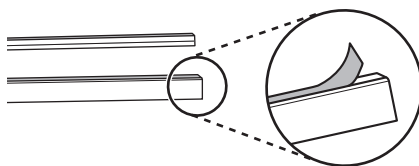
- 2** Az eltávolításhoz húzza meg az alsó burkolatot.



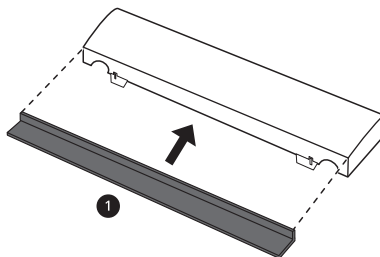
- 3** Vegye le a kétoldalú szalagot a filc hátoldaláról, és helyezze azt a készülék aljának elülső oldalára.



- 4** Vegye le a kétoldalú szalagot az alsó és első csíkokról.

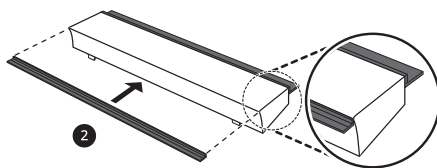


- 5** Helyezze a fekete színű alsó csíkot **1** az alsó burkolat aljára.

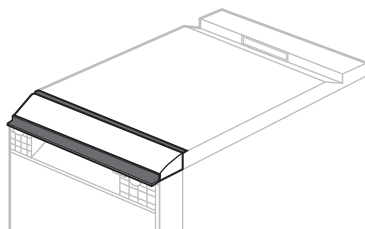


- 6** Helyezze a fehér színű elülső csíkot **2** az alsó burkolat tetejére.

- Az elülső csík hossza hosszabb, mint az alsó burkolat. Helyezze fel az elülső csíkot úgy, hogy a kiálló rész az alsó burkolat mindkét oldalán egyenlő legyen.



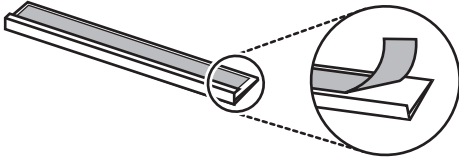
- 7** Csatlakoztassa az alsó burkolatot a csíkkal a készülékre.



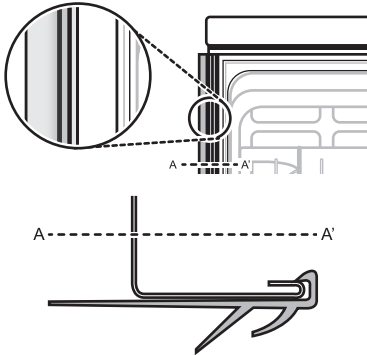
A csík ráhelyezése a készülék szekrényének oldalára

A zajcsökkentés érdekében helyezze a csíkot a készülék oldalaira, ha a nyílás helye azt lehetővé teszi.

- 1 Vegye le a kétoldalú szalagot az alsó és oldalsó csíkokról.



- 2 Helyezze az oldalsó csíkot az oldalsó szekrény elejére, majd nyomja le az oldalsó csíkot úgy, hogy az oldalsó csík jól illeszkedjen a szekrényhez.

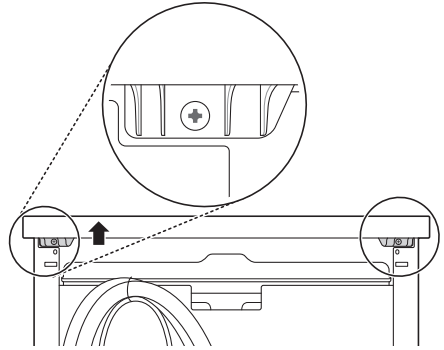


- 3 Ismételje meg a fenti lépéseket az ellentétes oldali csíknak a szekrény ellentétes oldalára helyezéséhez.

A felső burkolat eltávolítása

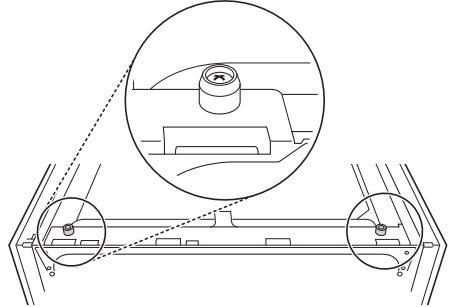
Ha a nyílás magassága 850 mm alatti, kövesse ezen útmutatásokat.

- 1 Vegye ki a hátoldalon lévő 2 csavart.



- 2 A két csavar levétele után húzza hátra a felső burkolatot, majd emelje fel az eltávolításhoz.

- 3 Vegye le a pozícionáló peckeket a tetejéről csavarhúzó segítségével.



MEGJEGYZÉS

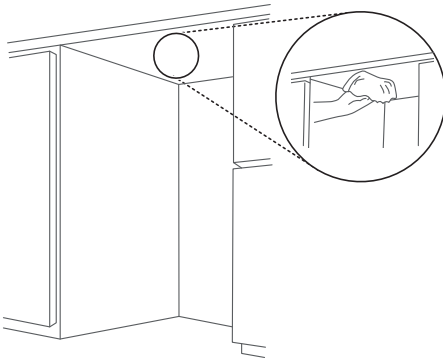
- Amikor a készülék megfelelően szintben van, nem ferde, és az ajtó nem ragad be vagy súrlódik/nyitáskor.

Nedvességzáró szalag behelyezése

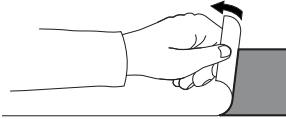
Ha a készüléket a felső burkolat nélkül telepíti, a pult alja az ajtó nyitva hagyásakor távozó gőz vagy a páralecsapódás tönkretelheti.

- Szerelje fel a nedvességzáró szalagot a pult aljára, hogy védje a pult alját a készülék nyitáskor távozó páralecsapódástól.

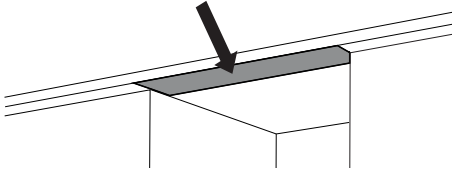
- 1** Tisztítsa meg és szárítsa meg a pult alját, amelyre a szalagot helyezi.



- 2** Vegye le a védőfóliát a szalagról.



- 3** Helyezze a szalagot a pult aljára.



MEGJEGYZÉS

- A nedvességzáró szalag a kézi összeszerelő táskában van.
- Ha a pult gránitból vagy vízálló anyagokból készült, nincs szükség nedvességzáró szalagra.
- Pára csapódhat le a pult alján vagy elülső pereme mentén, amikor a szobahőmérséklet alacsony.

A készülék vízszintes beállítása

A szintezés ellenőrzése

A készülék vízszintes beállítása által kiküszöbölhető a szivárgás és a gyenge mosás. A szerelés után ellenőrizze a készülék tökéletes vízszintes beállítását.

- Ha a készülék billeg a felső lap átlós irányú megnyomásakor, akkor ismét állítsa be a lábakat.

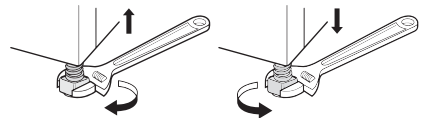
MEGJEGYZÉS

- A készülék nincs vízszintben, ha súrlódó hang hallható vagy az ajtó nyitáskor beragad.

A készülék beállítása és szintezése

Ha a készülék nincs tökéletesen vízszintben, addig forgassa az állítható lábakat, amíg a készülék már nem inog.

- Forgassa jobbra az állítható lábakat vagy forgassa balra az állítható lábakat előlről hátulra, oldalról oldalra vagy sarokról sarokra történő leeresztéséhez.



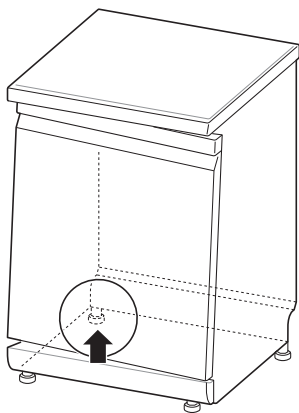
MEGJEGYZÉS

- Helyezze szilárd, vízszintes padlóra a készüléket.
- Ne szerelje megemelt felületre a készüléket.

1. eset: az ajtó jobbra dől

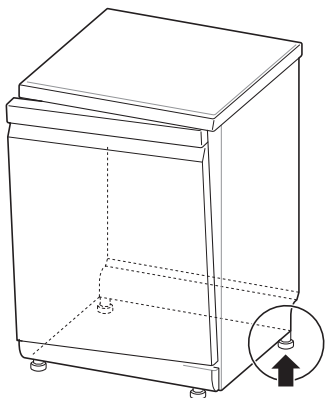
- 1** Csavarozza ki (az óramutató járásával ellentétes irányba) a bal hátsó lábat és állítsa be a szintet.

- 2** Ellenőrizze az ajtó nyitását, és szükség esetén ismétlje meg, amíg az ajtó megfelelően nyílik és csukódik.



2. eset: az ajtó balra dől

- 1** Csavarozza ki (az óramutató járásával ellentétes irányba) a jobb hátsó lábat és állítsa be a szintet.
- 2** Ellenőrizze az ajtó nyitását, és szükség esetén ismétlje meg, amíg az ajtó megfelelően nyílik és csukódik.



Vízleeresztő tömlő elhelyezése

Ha a vízleeresztő tömlő vége nem illeszkedik a leeresztő tömlőhöz, használjon bővítő készletet

(opcionális), amely ellenáll a hőnek és a mosószernek.

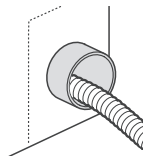
- Ez beszerezhető vízvezeték-szerelési szakboltban vagy műszaki boltban.

Csatlakozás a szennyvízcsőre

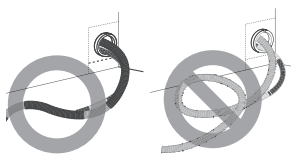
Első telepítéskor ellenőrizze a szennyvízcsövet. DE hiba történhet, ha a mosogató alatti szennyvízcsövet nem megfelelően fúrják ki. A vízleeresztő tömlő csatlakoztatásához fúrjon legalább 15 mm átmérőjű lyukat a szennyvízcsőbe csatlakoztatás és rögzítés előtt.

⚠ VIGYÁZAT

- Gondoskodjon arról, hogy a műanyag hulladék ne maradjon a csőben a kifűrés után.
- Ne próbálja meg kinyitni a szennylyukat csavarhúzóval vagy kalapáccsal. Ellenkező esetben azeltömődhet és működési hibát okozhat.
- Óvatosan járjon el, amikor a tömlőket a szekrény lyukain átvezeti, mivel azoknak éles peremei lehetnek, amelyek kárt tehetnek a tömlőben. Simítsa le vagy csiszolja meg az éleket, nehogy a vízleeresztő vagy a vízbevezető tömlő sérüljön.



- Ellenőrizze, hogy a tömlő nincs-e összegubancolódva vagy nagyon elhajlítva.

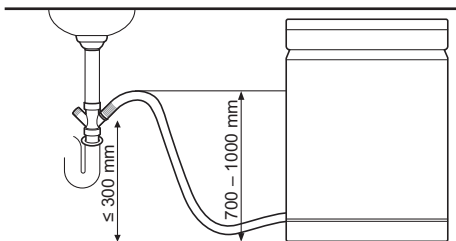


- Ellenőrizze, hogy a vízleeresztő tömlő egyenes-e, mielőtt annak végét a vizellátó lyukakon átvezeti.

A szagok visszaáramlásának elkerülésére érdekében alkalmazza az alábbiak egyikét.

1. módszer

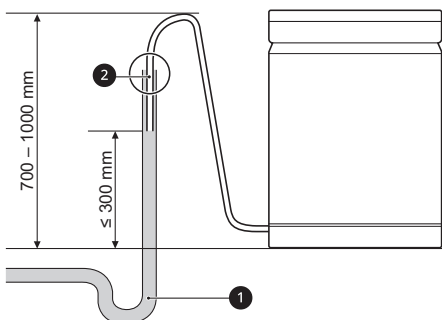
Amikor a vízleeresztő tömlőt a szennyvízcsőre van csatlakoztatva, a tömlőt a pult aljának tetejéig kell hurkolni és rögzíteni kell.



2. módszer

Amikor a vízleeresztő tömlőt külön felszállócsőre ❶ csatlakoztatja, alapvetően fontos a légmentes csatlakozás ❷. Ennek elmaradása esetén szagot észlelhetünk.

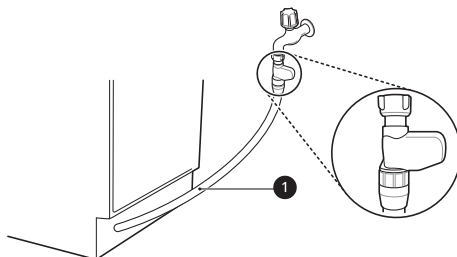
- A felszállócső átmérője legalább 40 mm.



Víz- és elektromos csatlakozások előkészítése

A tömlő csatlakoztatása a vízcsaphoz.

Csatlakoztassa a vízbevezető tömlőt ❶ a vízcsapra.

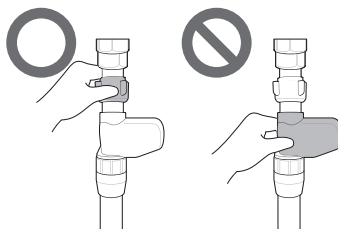


⚠ FIGYELMEZTETÉS

- Ne rövidítse meg vagy károsítsa a vízbevezető tömlőt, mivel az elektromos vezetékeket és alkatrészeket tartalmaz. Szerelési célokra levehető vagy eltávolítható a készülékről.
- Fontos, hogy a vízbevezető tömlőt ne babrálja, vágja, szerelje szét, húzza vagy hurkolja. Elektromos vezetékeket tartalmaz, amelyek áramütést okozhatnak, ha megsérülnek.

⚠ VIGYÁZAT

- Csak a vízbevezető tömlő menetes anyáját használja a csapra erősítéshez.
- Ne csavarja vagy hurkolja a vízbevezető tömlőt a csapra csatlakoztatáskor.



- Ez a készülék hideg vagy meleg vízzel látható el. Ha a vízcsatlakozás nem tartható 65 °C alatt, a készüléket hideg vízre kell csatlakoztatni.

⚠ VIGYÁZAT

- Használja a szigetelőszalagot vagy szigetelőanyagot a csap menetén a vízszivárgás megakadályozására.
- Ellenőrizze, hogy a tömlő nincs-e összegubancolódva vagy nagyon elhajlítva.

MEGJEGYZÉS

- A vízbevezető tömlő csapra való csatlakoztatása előtt fordítsa el a csapot, hogy kiöblítse az idegen anyagokat (szennyeződést, homokot vagy port) a vízvezetékéből. A vizet egy vödörbe folyassa ki.
- Az első alkalommal, a vízellátáshoz kb. 3 – 4 perc szükséges.

Az elektromos vezetékek elrendezése

Csatlakoztassa a készüléket földelt foglalatra a hatályos bekötési szabályok szerint, minimum 15 amperes áramköri megszakítóval vagy olvadóbiztosítékkal védve.

A bekötést két földeléssel ellátott vezetékkel végezze.

A tápkábelt ne helyezze a készülék mögé, hanem az oldalától 1,2 méter távolságban helyezze el, hogy a dugasz könnyen elérhető legyen.

⚠ FIGYELMEZTETÉS

- Személyi biztonság érdekében szerelés előtt távolítsa el a biztosítékot, vagy nyissa ki az áramköri megszakítót, vagy húzza ki a dugaszt.
- Ne használjon hosszabbítókábelt vagy elosztót.
- A csatlakozót egy, a helyi törvényeknek és előírásoknak megfelelően telepített és földelt aljzatba kell csatlakoztatni.
- A készülékek javítását csak szakképzett szerviztechnikus végezze. A nem hozzáértő személyek által végzett javítások sérülést vagy súlyos működési hibákat okozhatnak. Forduljon a helyi szervizközpontunkhoz.

- Az elektromos túlterhelés elkerülésére csatlakoztassa megfelelő minőségű, védett és megfelelő paraméterű áramkörre.

Végző ellenőrzés szerelésnél

A mosogatógép tesztelése

- 1 Kapcsolja be az áramellátást.
- 2 Nyissa meg a belső vízellátást.
- 3 Az ajtónak akadálymentesen és zaj nélkül kell nyílnia és csukódnia, ha az egység vízszintes állapotban van.
- 4 Üzemeltesse a készüléket **Rinse (Öblítés)** cikluson, hogy ellenőrizze a megfelelő működést és az esetleges szivárgásokat.

Hibakódok a szerelés ellenőrzésekor

Hibakód	Lehetséges ok és megoldás
OE	<p>Megcsavarodott vagy beakadt a leeresztő tömlő.</p> <ul style="list-style-type: none"> • Vezesse át a leeresztő és vízbevezető tömlőket a mosogató alatti lyukon. Ezután fokozatosan csúsztassa a mosogatógépet a szekrénybe, miközben húzza a tömlőket a mosogató alatt a laza részek kiegyenesítésére. Így elkerüli a tömlők összegubancolódását vagy azt, hogy a mosogató alá szoruljanak.
	<p>A mosogató alatti szennyvízcső eltömődött.</p> <ul style="list-style-type: none"> • Fúrja ki a szennyvízcsövet a mosogató alatt.

Hibakód	Lehetséges ok és megoldás
I E	<p>A vízbevezető tömlő összegubancolódott a mosogatógép alatt.</p> <ul style="list-style-type: none">• Vezesse át a leeresztő és vízbevezető tömlőket a mosogató alatti lyukon. Ezután fokozatosan csúsztassa a mosogatógépet a szekrénybe, miközben húzza a tömlőket a mosogató alatt a laza részek kiegyenesítésére. Így elkerüli a tömlők összegubancolódását vagy azt, hogy a mosogató alá szoruljanak.
	<p>A házi vízellátás nincs megnyitva.</p> <ul style="list-style-type: none">• Nyissa meg a vizet. A víz nyomása túl nagy vagy túl kicsi.

ÜZEMELTETÉS

Használat előtt

Ez a modell vízlágyítóval van felszerelve a kemény víz lágyítására.

- 3 Ellenőrizze a vízkeménység színét a csíkon. Tanulmányozza a csomagolást.

MEGJEGYZÉS

- A készülék mosogatógép-só nélkül használható, ha arra nincs szükség, azonban a keménységi szintet H0-ra kell beállítani úgy, hogy az ikon ne világítson.
- Megfelelő öblítési eredményekhez a készüléknek lágy vízre van szüksége, azaz alig vagy ne tartalmazzon mészkövet, ellenkező esetben vízfoltok maradnak az edényeken és a készülék belsejében.
- Ha a csapvíz túllép egy bizonyos keménységi szintet, lágyítani, azaz kalciumtól mentesíteni. Ehhez adjon mosogatógép-sót a készülék belsejében lévő vízlágyítóba. A szükséges sómennyiség attól függ, mennyire kemény a víz.

A víz keménységének ellenőrzése

1. módszer

- 1 Ellenőrizze a víz keménységét az adott területen. A vízművek ebben segítséget nyújthatnak.
- 2 Állítsa be a készülék lágyító rendszerének szintjét a víz keménységének megfelelően.

2. módszer

A termékhez mellékelt tesztcsíkkal ellenőrizhető a víz keménysége.

- 1 Merítse vízbe a tesztcsik összes reakciózónáját körülbelül egy másodpercre. Ne tegye ezt folyóvíz alatt.
- 2 Rázza le a felesleges folyadékot a csíkról, és várjon 1 percet.

Vízkeménység táblázat

Vízkeménység táblázat							Lágyító szintje	Arány*1
ppm	°d	°e	°f	mmol/l (Ca+Mg)	mg/l (Ca)	Tartomány		
0	<4	<5	<7	<0,7	<29	Lágy	H0	-
75	4 - 7	5 - 9	7 - 13	0,7 - 1,3	29 - 50		H1	1:24
125	7 - 14	9 - 17,5	13 - 25	1,3 - 2,5	50 - 100		H2	1:7
250	14 - 21	17,5 - 26	25 - 38	2,5 - 3,8	100 - 150		H3	1:4
375	>21	>26	>38	>3,8	>150		Kemény	H4

*1 A vízlágyító regenerálás(ok) száma *2: A mosási ciklus(ok) száma *3

*2 A vízlágyító regenerálásra a fő mosási művelet végén kerül sor az **Eco** program szerint.

*3 A mosási ciklus 4 műveletből áll (előmosás, fő mosás, öblítés, melegítéssel öblítés) az **Eco** program szerint.

A vízlágyító rendszer beállítása

A hatékony mosási eredmények érdekében állítsa be a vízellátásban használt víz keménységi szintjének megfelelően. A vízlágyító 5 szintre állítható be, a készülék pedig gyárilag be van programozva H2 keménységi szintre. Az alapértelmezett beállítás ellenőrizhető és beállítható a következő lépésekkel:

1 Nyomja meg egyszerre a **Kapcsoló** és a **Half Load (Fél töltet)** gombot.

- Megjelenik a jelenlegi beállítás.

2 Nyomja meg a **Delay Start (Indításkésleltetés)** gombot, és állítsa be a kívánt szintet.

- Az értéktartomány H0 - H4.

3 Nyomja meg a **Start (Indítás)** gombot a beállítás mentéséhez.

- Mentés után a tápellátás kikapcsol.

MEGJEGYZÉS

- A **Só újratöltés** ikon bekapcsol a kijelzőn, ha nincs mosogatógép-só a lágyítórendszerben.
- Ha a keménység beállítása H0, egy ikon sem világít annak ellenére, hogy nincs só.

Megtöltés mosogatógép-sóval

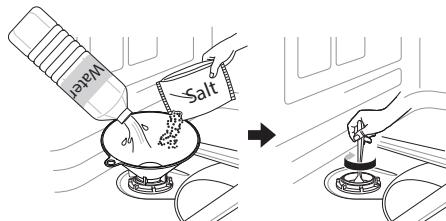
A sóadagolót töltsse fel sóval a mosóprogram indítása előtt. Elégtelen mennyiségű só esetén a **Só újratöltés** ikon látható a kijelzőn, kivéve akkor, ha a keménységi szint beállítása H0.

VIGYÁZAT

- Miután megtöltötte a sóval, futtassa az öblítést ciklust azonnal, hogy eltávolítsa a sót és a sós vizet a belső tartály körül, a korrózió megelőzése érdekében.

1 Vegye ki az alsó rácsot és a só adagoló sapkáját, amely a szűrők bal oldalán található.

- 2** A készülék első használata előtt mindenképpen öntsön 1 kg mosogatógép-sót és 1 liter vizet egyszerre, ha szeretné használni a vízlágyító rendszert. A só újratöltésekor használjon tölcserűt. Olvassa el a **használat előtt** című részt.



- 3** Zárja vissza szorosan a sapkát.

- 4** Futtassa a **Rinse (Öblítés)** ciklust edények nélkül.

Só újratöltési ciklus (töltetenként 1 kg)

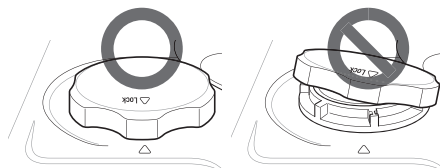
	H1	H2	H3	H4
Ciklusok	130	50	20	10

- A táblán az **Auto** program adatai szerepelnek.
- A ciklus az utántöltött só mennyiségétől függően változik.

⚠ VIGYÁZAT

- Ne öntsön mosószert a só adagolóba, mert az meghibásodást okoz.
- Törölje le a sóadagoló sapka körül esetlegesen kifolyt sót. A befolyó sóoldat a tartály és a mosogatógépbe helyezett eszközök rozsdásodását okozhatja.
- Szigetelje a sapkát megfelelően vízszintes igazítással és az óramutató járásával egyező irányba forgatással. A lazán felhelyezett sapka miatt a sóoldat a só adagolóból a tartóba szivároghat, és korróziót okozhat.
- A só feltöltése után működtessen egy mosási programot edények nélkül, mivel a kiömlött só a

készüléken belül a készülék rozsdásodását vagy sérülését okozhatja, ha nem mossa le.



MEGJEGYZÉS

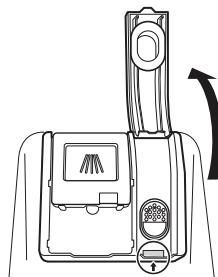
- A sót a forgalmazóktól szerezheti be.

Öblítőszer hozzáadása

Az **Öblítőszer** jelzés megjelenik a kijelzőn, ha több öblítőszer szükséges.

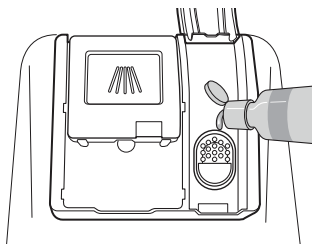
Az öblítőszer használata javasolt annak érdekében, hogy ne keletkezzenek vízcsepp-nyomok az edényeken, és javuljon a szárítási eredmény.

- 1** Nyissa ki az öblítőszer fedelét a csappantyú felemelésével.



- 2** Töltsön bele folyékony öblítőszerrel a maximum szintig. Az öblítőszernek le kell ülednie az adagolóban töltés közben, különben a

légbuborékok gyenge szárítási eredményhez vezethetnek.



- 3** Csukja le a fedelet az adagoló lezárásához. Az öblítőszer automatikusan adagolódik az utolsó öblítési ciklusban.

⚠ VIGYÁZAT

- Törölje le a kiömlött öblítőszer a habképződés megelőzésére.

MEGJEGYZÉS

- Csak a készülékben használja az öblítőszer.
- Ne töltse túl az öblítőszer adagolót.
- A túl sok vagy túl kevés öblítőszer rontja a szárítási eredményt.
- Ha az öblítőszer kifolyik az adagolóból, törölje le. Ellenkező esetben sok hab képződhet, és foltosodni fog a mosogatógép.


adagoló beállításának módosításához. A gomb egyszeri megnyomásával a beállítás egy lépéssel L0(ki) állapotról L4-re változik.

- 4** A kívánt öblítőszer adagoló beállítás kiválasztása után nyomja meg a **Start (Indítás)** gombot a mentéshez.
- Mentés után a tápellátás kikapcsol.

⚠ VIGYÁZAT

- Ha az öblítőszer fedele nincs megfelelően becsukva, az öblítőszer nagy mennyiségben a tartóba kerül és mosási problémákat okoz.

MEGJEGYZÉS

- Az **Öblítőszer-újrátöltés**  ikon világít, ha több öblítőszerre van szükség.
- Ha homályos foltokat, csíkokat vagy vízfoltokat lát az üveg edényeken mosás után, állítsa nagyobb szintre.
- Ha túl magasra állítja, habosodást idézhet elő, ami miatt a mosási eredmény gyenge lesz.
- Ha az üveg foltos, vagy az alján hab van, állítsa alacsonyabb szintre.
- Ha túl alacsonyra állítja be az öblítőszer szabályozását, akkor foltok vagy csíkok keletkezhetnek az edényeken, és romolhat a szárítási eredmény.


Az öblítőszer szintjének beállítása

Az adagoló öt szintre állítható be. Az alapprogram a 2-es öblítőszer adagoló szintű. Ez a vezérlőpanel gombjaival ellenőrizhető és módosítható.

- 1** Ellenőrizze, hogy a készülék ki van-e kapcsolva.
- 2** Nyomja meg egyszerre a **Kapcsoló** és a **Dual Zone (Dupla zóna)** gombot, és ellenőrizze az aktuális beállítást.
- 3** Nyomja meg a **Delay Start (Indításkésleltetés)** gombot a öblítőszer

Üzemeltetés áttekintése

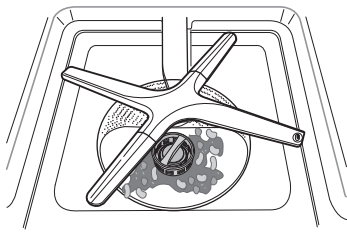
A készülék használata

- 1 Nyomja meg a Kapcsoló gombot.**
 - Az egység bekapcsol. Ellenőrizze a jelzőlámpákat.
- 2 Ellenőrizze, hogy van-e elég öblítőszer és só.**
 - Töltse fel öblítőszerrel és sóval, ha a megfelelő ikonok világítanak. A további információért lásd az **Újrátöltés** részt.
 -  : Só újrátöltés ikon

- ☼ : Öblítőszer újratöltés ikon

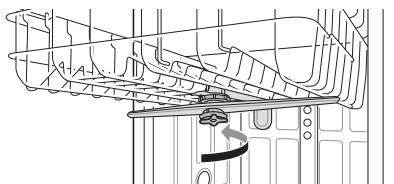
3 Nyissa ki az ajtót és ellenőrizze a szűrőket.

- Mindig tisztítsa meg a szűrőt mosogatás előtt vagy után, hogy ne romoljon a mosási eredmény.



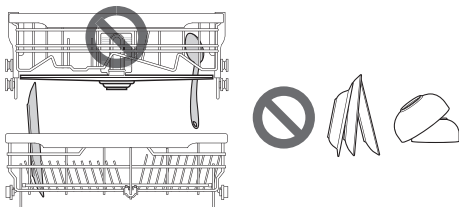
4 Ügyeljen arra, hogy a szórókarok akadálytalanul foroghassanak.

- Ügyeljen arra, hogy a felső szórókarok és az alsó szórókarok jól forogjanak. Ha a szórókar nem forog, vegye ki azt és tisztítsa meg.



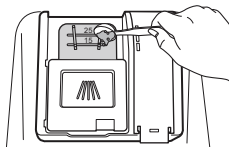
5 Tegye be az edényeket a polcra.

- Ügyeljen arra, hogy az edények vagy evőeszközök ne legyenek a szórókarok útjában.
- Ne helyezzen edényt egy másik tetejére.



6 Töltsön megfelelő mennyiségű mosogatóport az adagolóba.

- Ha tablettát használ, helyezze azt közvetlenül a tartó aljába, illetve a belső ajtó alsó részére.



7 Állítsa be és indítsa a programot.

- A program 4 másodperccel a beállítás kiválasztása után automatikusan indul.

⚠ FIGYELMEZTETÉS

- Ne helyezzen tárgyakat a felső rácsra, amikor az alsó rácsot kihúzza és megrakja. Ennek elmulasztása sérülést okozhat, mivel a készülék elveszítheti egyensúlyát és felborulhat.
- Tolja be teljesen a felső rácsot.
- Először az alsó rácsot, majd a felsőt ürítse ki. Így megakadályozza, hogy a felső rácson lévő edényekről az alattuk lévő rácson lévőkre víz csepegjen.
- Ne nyissa ki az ajtót működés közben vagy közvetlenül a mosási ciklus befejezése után, mivel a gőz a nyitott ajtónál forrázást okozhat.

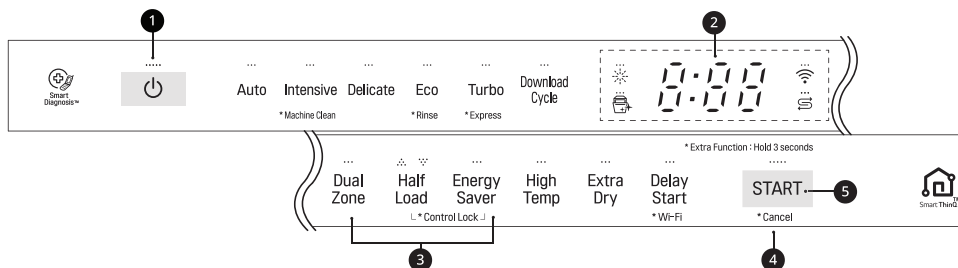
MEGJEGYZÉS

- Soha ne használjon folyékony mosogatószert a készülékben.
- Nem ajánlatos kézzel öblíteni az edényeket a mosogatógép használata előtt, mert azzal növeli a víz- és áramfogyasztást.
- A háztartási mosogatógépben végzett mosogatás általában kevesebb áramot és vizet fogyaszt a használati fázisban, mint a kézi mosogatás, amennyiben a háztartási mosogatógépet a gyártói utasítások szerint használják.

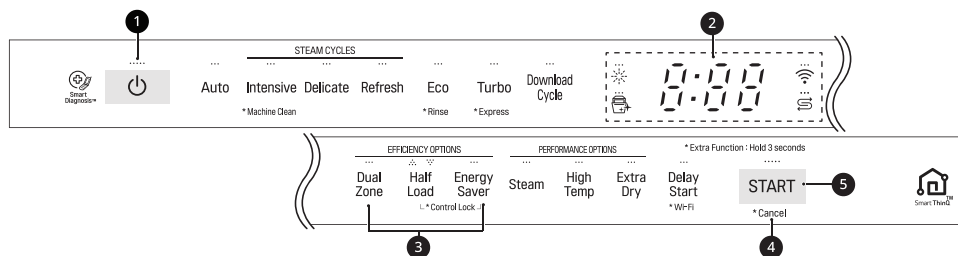
Vezérlőpanel

Vezérlőpanel funkciói

Nem gőzös modellek esetén



Gőzös modellek esetén



1 Kapcsoló

- Nyomja meg a **Kapcsoló** gombot a be- és kikapcsoláshoz.
- A ciklus befejeződése után az áramellátás automatikusan kikapcsol a biztonság és gazdaságosság érdekében.
- Túlfeszültség, áramkimaradás vagy bármilyen zavar esetén az áramellátás a biztonság miatt automatikusan kikapcsol.
- Az áramellátás ismételt csatlakoztatása esetén automatikusan bekapcsol és folytatja a ciklust.


2 Kijelző

- **8:88 : Digitális kijelző**
 - A vezérlőpanel digitális kijelzője mutatja a BECSÜLT ciklusidőt. A ciklus és a beállítások kiválasztása után a kijelzőn a ciklusok teljesítéséhez szükséges teljes becsült idő látható. Üzemelés közben a kijelzőn a hátralévő üzemidő látható.
 - A kijelzőn lévő becsült idő nem tartalmazza a késleltetéseket, pl. a vízmelegítéshez stb. szükséges időt.
 - Ha a **Delay Start (Indításkésleltetés)** van kiválasztva, a kijelzőn a késleltetés ideje órákban látható.
 - Az **Auto** ciklusidő az edények szennyezettségétől függ.
- ☀️ : **Öblítőszer ikon**

- Ez az ikon akkor villog, amikor az öblítőszerszintje alacsony. A LED automatikusan kikapcsol, amikor az öblítőszert újratölti vagy a szint 0-ra van állítva.

-  : **Gépi tisztítás ikon**

- Ez az ikon 30 ciklusonként villog.
- Az ikon be- vagy kikapcsolásához nyomja meg a **Delicate (Kímélő)** gombot 3 másodpercig.

-  : **Wi-Fi**

- Amikor a készülék otthoni Wi-Fi hálózaton keresztül csatlakozik az internetre, ez az ikon világít.

-  : **Só újratöltés ikon**

- Ez az ikon akkor villog, amikor a só szintje alacsony. A LED automatikusan kikapcsol, amikor a sót újratölti.

3 Hang be/ki

- A gombok hangjának be- vagy kikapcsolásához nyomja meg és tartsa egyszerre lenyomva a **Dual Zone (Dupla zóna)** és az **Energy Saver (Energiatakarékos)** gombot 3 másodpercen keresztül. A hibariasztás nem kapcsolható ki.

4 Cancel (Mégse)

- A leeresztő szivattyú bekapcsol, a ciklus megszakad. Amikor a készülék befejezte a leeresztést, az áramellátás kikapcsol.
- Nyomja meg és tartsa lenyomva a **Start (Indítás)** gombot 3 másodpercen keresztül a megszakítás funkció aktiválásához.

5 Start (Indítás)

- A készülék üzemeltetéséhez csukja be az ajtót és nyomja meg a **Start (Indítás)** gombot.
- Ha a **Start (Indítás)** gombot nem nyomja meg a ciklus indításához 4 percen belül, az áramellátás automatikusan kikapcsol.

Mosási ciklusok

Auto

Ez a ciklus érzékeli a szennyeződés mennyiségét és a víz tisztaságát, és optimalizálja a mosást, hogy a legjobb tisztaságot érje el. A mosás ideje a szennyeződés szintjétől függően változhat.

Intensive (Intenzív)

Ez a ciklus a nagyon szennyezett edények vagy a rászáradt szennyeződéssel rendelkező edények esetén használatos. A szórás intenzitás ebben a ciklusban a legerősebb, és a nagyon szennyezett edények mosására szolgál.

Delicate (Kímélő)

Ebben a ciklusban kényes eszközök, például porcelánok és üvegáruk moshatók.

Refresh (Frissítés)

Ez a ciklus felfrissíti és melegíti a hosszú időn keresztül nem használt eszközöket.

- E ciklus használatakor ne használjon mosogatószert.

Eco

A leghatékonyabb energia- és vízfogyasztást biztosítja a jó mosási teljesítmény és szárítási

eredmény érdekében normál szennyezett edények esetében, mivel nagyon kevés energiát fogyaszt.

Turbo (Turbó)

Ez a ciklus a mérsékelt szennyezett edényeket tisztítja valamivel több energia- és vízfogyasztással.

- Az **Extra Dry (Extra száraz)** az alapértelmezett beállítás. Ha mosogatás után nem akarja megszáritani az edényeket, kapcsolja ki az **Extra Dry (Extra száraz)** beállítást. Ha nem szárítja meg az edényeket, a ciklusidő rövidebb.

Download Cycle (Programletöltés)

Használjon Wi-Fi vagy NFC hálózaton keresztül letölthető speciális ciklust (modellfüggő).

MEGJEGYZÉS

- Csak a jelenleg letöltött ciklus kódja jelenik meg a készüléken. Az okostelefon alkalmazásában megtekinthetők a ciklusok kódjai, nevei és az elérhető ciklusokkal kapcsolatos további információk.
- Alapértelmezett ciklus: P1. Tálak és serpenyők

Machine Clean (Készülék tisztítása)

Ezzel a ciklussal a készülék belseje tisztítható. A ciklus használatkor ne legyen edény a készülékben. Eltünteti a maradék szennyeződést, szagokat, fehér foltokat, vízkövet és egyéb szennyeződések. A nagyobb hatékonyságért adjon hozzá citromsavat vagy egyéb tisztítószer.

- Nyomja meg és tartsa lenyomva az **Intensive (Intenzív)** gombot 3 másodpercen keresztül a bekapcsoláshoz.

Rinse (Öblítés)

Ez a ciklus gyors öblítéshez használható csak olyan edényekhez, amelyeket nem mosogatnak el

azonnal. A ciklusban túlzottan szennyeződött edényeket öblítenek, hogy a rászáradt maradékot lágyítsák. Az edények öblítésének révén megelőzhető a szagképződés a készülékben.

- Nyomja meg és tartsa lenyomva az **Eco** gombot 3 másodpercen keresztül a bekapcsoláshoz.

MEGJEGYZÉS

- Ezen opció használatkor ne használjon mosogatószert.
- Ebben a ciklusban nincs szárítás.

Express (Expressz)

Ez a ciklus gyorsan tisztítja az enyhén szennyeződött edényeket.

- Nyomja meg és tartsa lenyomva az **Turbo (Turbó)** gombot 3 másodpercen keresztül a bekapcsoláshoz.

MEGJEGYZÉS

- Ebben a ciklusban nincs szárítás. Válassza ki az **Extra Dry (Extra száraz)** lehetőséget vagy válasszon másik ciklust a jobb szárításért. Az **Extra Dry (Extra száraz)** növeli a ciklusidőt.
- Mosótábletták használata az **Express (Expressz)** ciklus esetében nem ajánlott. Mosótábletták használata esetén a mosószer lerakódhat az edényeken a viszonylag alacsony öblítési hőmérséklet miatt.

Beállítások és extra funkciók

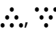

Válassza ki a kívánt ciklus gombját, majd válassza ki az adott ciklus beállításait. Ha további információra van szükség, olvassa el a **Ciklus/Beállítási útmutató** részt.

Dual Zone (Dupla zóna)

Ez a beállítás automatikusan lágyra állítja be a spray intenzitását a felső szórókarra és erősre az alsó szórókarra. A legjobb eredmény elérése érdekében helyezze a nagyon szennyezett

edényeket, például a tányérokat és a tálakat az alsó rácsra, a kevésbé szennyezett edényeket, pl. a csészéket és a kis tányérokat a felső rácsra.

Half Load (Fél töltet)

Ez a beállítás intenzíven mosogat azáltal, hogy kiválasztja a felső vagy az alsó rácsot. Kevés edény esetén csak a felső vagy alsó rácsot használja, hogy energiát és időt takaríthasson meg. A **Half Load (Fél töltet)** gomb megnyomásával a (Felső) ,  (Alsó) beállítások és a beállítás megszakítása érhető el.

Energy Saver (Energiatakarékos)

Ez a beállítás energiát takarít meg azáltal, hogy csökkenti a mosogatási és öblítési hőmérsékletet. A mosogatási idő a mosogatási eredmény fenntartása érdekében nő. Nagyon szennyezett edényeknél ne használja ezt a ciklust.

Steam (Gőz)

Ez a beállítás gőzt adagol a ciklus közben a mosogatási eredmény javítása érdekében.

High Temp (Magas hőmérséklet)

Növeli a fő mosás vagy a melegítéses öblítés hőmérsékletét a tisztítás javítása érdekében.

- Egy hangjelzés figyelmeztet, ha a készülékben maradványhőmérséklet van. Várjon, amíg a készülék teljesen kihűl, és csak azután nyissa ki az ajtót.

Extra Dry (Extra száraz)

Válassza ezt a beállítást a jobb szárítási eredményért. Ez a beállítás extra szárítási időt ad a ciklusnak, és növeli a melegítéses öblítés hőmérsékletét.

- Amikor az öblítőszer kiürül, ez a beállítás automatikusan kiválasztásra kerül.


Delay Start (Indításkésleltetés)

Ez a funkció késlelteti a kiválasztott ciklus indítását. A **Delay Start (Indításkésleltetés)** gomb megnyomásakor a késleltetés ideje egy órával nő. A késleltetés ideje 1 és 12 óra között állítható be, egy órák lépésekben.

- A funkció megszakításához kapcsolja ki az áramellátást.
- A ciklus és a ciklusbeállítás módosításához nyissa ki az ajtót, majd válasszon ki másik ciklust vagy ciklusbeállítást. Megkezdődik a visszazámlálás.

Control Lock (Vezérlő zár)

Ez a funkció segít megakadályozni, hogy a beállítások egy ciklus alatt módosuljanak. E funkció kiválasztása az összes gombot zárja a **Kapcsoló** gomb kivételével, a vezérlőpanelen. Ez a funkció nem zárja az ajtót.

- A külső kijelzővel felszerelt modelleknél, miközben egy ciklus fut, nyomja meg és tartsa egyszerre lenyomva a **Half Load (Fél töltet)** és az **Energy Saver (Energiatakarékos)** gombot 3 másodpercig a funkció be- és kikapcsolásához. A rejtett képernyős modelleknél nyissa ki az ajtót üzemelés közben, és kövesse ugyanezt az utasítást.
- E funkció bekapcsolásakor a  kijelző-kód látható a kijelzőn.
- Új ciklus indításához kapcsolja ki ezt a funkciót.
- Ez a funkció bármikor beállítható a készülék bekapcsolásával.

Wi-Fi

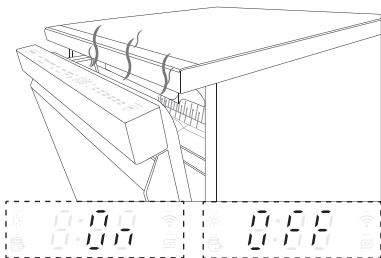
Nyomja meg és tartsa lenyomva a **Delay Start (Indításkésleltetés)** gombot 3 másodpercre, a hálózatra csatlakozáshoz. A funkció részleteit illetően tekintse meg az **INTELLIGENS FUNKCIÓK** részeket.

Auto Open Dry (Szárítás automatikus ajtónyitással)

Eltérőek lehetnek a megvásárolt modelltől függően.

Az ajtó automatikusan kinyílik a szárítást tartalmazó program végén, így javul a szárítási eredmény.

- E funkció be- vagy kikapcsolásához nyomja meg és tartsa egyszerre lenyomva az **Energy Saver (Energiatakarékos)** és a **High Temp (Magas hőmérséklet)** gombot 3 másodpercig.
- Ez a funkció a **Machine Clean (Készülék tisztítása)** és a **Rinse (Öblítés)** ciklusok kiválasztása esetén nem elérhető.
- A **Download Cycle (Programletöltés)** kiválasztása esetén ez a funkció akkor is működhet, ha ki van kapcsolva. A **Download Cycle (Programletöltés)** révén a legjobb teljesítmény érhető el a készülék beállításától függetlenül.
- A kijelzőn látható, hogy ez a funkció be vagy ki van-e kapcsolva.



- Modelltől függően a lámpa a készülék elején vagy az ajtó tetején található.

Piros (bal)

A piros lámpa akkor villog, amikor a készülék hibát észlel. A hibával kapcsolatos további információkért lásd a **HIBAELHÁRÍTÁS** rész **Hibakód** leírását.

Fehér (közép)

A fehér lámpa akkor villog, amikor egy ciklust választ, vagy amikor a ciklus szünetel.

- A fehér lámpa világítani kezd, amikor egy ciklus fut.

Zöld (jobb)

A zöld lámpa világítani kezd, amikor egy ciklus befejeződött. Amikor az ajtó nyitva van, a lámpa elalszik.

- Ha a készülék nem észleli, hogy az ajtót kinyitották, a lámpa 90 másodperc elteltével kikapcsol.

⚠ FIGYELMEZTETÉS

- Tartsa távol a gyermekeket a készüléktől annak működése közben. A forró gőznek való kitettség forrázashoz vagy égési sérülésekhez vezethet.

SignalLight™

Eltérőek lehetnek a megvásárolt modelltől függően.

A SignalLight™ a készülék állapotát jelzi: van-e probléma, normálisan működik-e, illetve készen áll-e az edények mosogatására.

Programtáblázat

Programozási útmutató

Csak a DF425*** modelleken

Program	Szennye- zettség szintje	Mosás		Rinse (Öblítés)		Dry (Szárítás)
		Pre Wash (Előmosás)	Fő mosás	Rinse (Öblítés)	Melegíté- ses öblítés	
Auto	Minden szint	●	● (65 - 70 °C)	●	● (62 °C) ^{*1} (70 °C) ^{*2}	●
Intensive (Intenzív)	Nagyon szennyez ett	●	● (75 °C)	●	● (62 °C) ^{*1} (70 °C) ^{*2}	●
Delicate (Kímélő)	Kissé szennyez ett	●	● (55 °C)	●	● (62 °C) ^{*1} (70 °C) ^{*2}	●
Refresh (Frissítés) ^{*1}		●		●	● (62 °C) ^{*1} (75 °C) ^{*2}	●
Eco	Mérsékelt en szennyez ett	●	● (46 °C) ^{*1} (42 °C) ^{*2}	●	● (54 °C) ^{*1} (64 °C) ^{*2}	●
Turbo (Turbó)	Mérsékelt en szennyez ett	●	● (65 °C)	●	● (62 °C) ^{*1} (65 °C) ^{*2}	
Express (Expressz)	Kissé szennyez ett	●	● (45 °C)	●	● (62 °C) ^{*1} (60 °C) ^{*2}	
Rinse (Öblítés)	Kissé szennyez ett			●		
Machine Clean (Készülék tisztítása)		●	● (50 °C)	●	● (70 °C)	●

*1 Az **Automatikus nyitás, szárítás** funkció be van kapcsolva.

*2 Az **Automatikus nyitás, szárítás** funkció ki van kapcsolva.

MEGJEGYZÉS

- Az üzemidő a víz és a környezet hőmérsékletétől, a víz nyomásától és a feszültségtől függ.
 - Információ arról, hogy az eco programon kívül a többi programhoz megadott értékek csak tájékoztató jellegűek.
 - Az **Automatikus nyitás, szárítás** funkció bekapcsolásakor a melegítéses öblítés hőmérséklete változhat.
-

A DF325***/DF325** modelleken

Program	Szennyezettség szintje	Mosás		Rinse (Öblítés)		Dry (Szárítás)
		Pre Wash (Előmosás)	Fő mosás	Rinse (Öblítés)	Melegítéssel öblítés	
Auto	Minden szint	●	● (65 - 70 °C)	●	● (70 °C)	●
Intensive (Intenzív)	Nagyon szennyezett	●	● (75 °C)	●	● (70 °C)	●
Delicate (Kímélő)	Kissé szennyezett	●	● (55 °C)	●	● (70 °C)	●
Refresh (Frissítés) *1		●		●	● (75 °C)	●
Eco	Mérsékelt en szennyezett	●	● (42 °C)	●	● (64 °C)	●
Turbo (Turbó)	Mérsékelt en szennyezett	●	● (65 °C)	●	● (65 °C)	
Express (Expressz)	Kissé szennyezett	●	● (45 °C)	●	● (60 °C)	
Rinse (Öblítés)	Kissé szennyezett			●		
Machine Clean (Készülék tisztítása)		●	● (50 °C)	●	● (70 °C)	●

*1 Gőzös modellek esetén

MEGJEGYZÉS

- Az üzemi idő a víz és a környezet hőmérsékletétől, a víz nyomásától és a feszültségtől függ.

-
- Információ arról, hogy az eco programon kívül a többi programhoz megadott értékek csak tájékoztató jellegűek.
-

Európára vonatkozó előírás (DF425*** modelleken)

Program	Vízfogyasztás* ¹	Energiafogyasztás (kWh)* ¹	Időtartam (perc)* ¹
Auto	12,9	0,91 - 0,97	162
Intensive (Intenzív)	23,1	1,60	185
Delicate (Kímélő)	16,5	1,07	124
Eco	9,5	0,85	193
Refresh (Frissítés)	10,0	0,76	120
Turbo (Turbó)	18,5	0,84	78
Express (Expressz)	9,6	0,58	56
Rinse (Öblítés)	6,6	0,01	18
Machine Clean (Készülék tisztítása)	12	0,78	83

*¹ Az **Automatikus nyitás, szárítás** funkció be van kapcsolva.

MEGJEGYZÉS

- A megadott adatok a konkrét feltételek függvényében változnak.

Európára vonatkozó előírás (DF325*/DF325*** modelleken)**

Program	Vízfogyasztás	Energiafogyasztás (kWh)	Időtartam (perc)
Auto	13,1	1,08 - 1,17	195
Intensive (Intenzív)	23,9	1,76	185
Delicate (Kímélő)	16,8	1,14	124
Eco	9,5	0,95	228
Refresh (Frissítés)*1	9,8	0,78	66
Turbo (Turbó)	18,8	0,87	59
Express (Expressz)	12,4	0,61	38
Rinse (Öblítés)	6,5	0,01	18
Machine Clean (Készülék tisztítása)	12,1	0,75	83

*1 Gőzös modellek esetén

MEGJEGYZÉS

- A megadott adatok a konkrét feltételek függvényében változnak.

MEGJEGYZÉS

- A 2021. március 1-jétől érvényes EU 2019/2022 rendelet az EU 2019/2017 rendelettel kapcsolódik az energiahatékonysági osztályokhoz.
- Olvassa be a készülékhez mellékelte energiacímkén található QR-kódot, amely internetes linket biztosít a készülék teljesítményével kapcsolatos információkhoz az EU EPREL adatbázisban. Tartsa meg az energiacímkét referenciaként, a használati útmutatóval és a készülékhez mellékelte összes egyéb dokumentummal együtt.
- A modellnevet a készülék adattábláján találja meg. Nyissa ki az ajtót, és nézze meg az ajtó jobb oldalát.
- Ugyanezen információk az EPREL-ben való megkereséséhez, látogasson el a <https://eprel.ec.europa.eu> weboldalra, és keressen a modellnév alapján. (2021. március 1-jétől érvényes)

Elérhető beállítások

MEGJEGYZÉS

- Az **Energy Saver (Energiatakarékos)** beállítás a **High Temp (Magas hőmérséklet)** vagy az **Extra Dry (Extra száraz)** beállítás esetén nem elérhető.
- A **Delay Start (Indításkésleltetés)** beállítás a táblázatban szereplő valamennyi mosási programhoz kiválasztható.

Nem gőzös modellek esetén

Program	Dual Zone (Dupla zóna)	Half Load (Fél töltet)	Energy Saver (Energiatakarékos)	High Temp (Magas hőmérséklet)	Extra Dry (Extra száraz)
Auto	●	●	●	●	●
Intensive (Intenzív)	●	●		●	●
Delicate (Kímélő)		●	●		●
Eco	●	●	●	●	●
Turbo (Turbó)	●			●	●
Express (Expressz)	●			●	●
Rinse (Öblítés)					
Machine Clean (Készülék tisztítása)					
Download Cycle (Programlető ltés)					

Gőzös modellek esetén

Program	Dual Zone (Dupla zóna)	Half Load (Fél töltet)	Energy Saver (Energiatakarékos)	Steam (Gőz)	High Temp (Magas hőmérséklet)	Extra Dry (Extra száraz)
Auto	●	●	●	●	●	●
Intensive (Intenzív)	●	●		●	●	●
Delicate (Kímélő)		●	●	●		●
Refresh (Frissítés)				●		●
Eco	●	●	●	●	●	●
Turbo (Turbó)	●			●	●	●
Express (Expressz)	●				●	●
Rinse (Öblítés)						
Machine Clean (Készülék tisztítása)						
Download Cycle (Programle töltés)						

Információ a tesztelésről

Automatikus nyitás, szárítás funkcióval felszerelt modelleknél

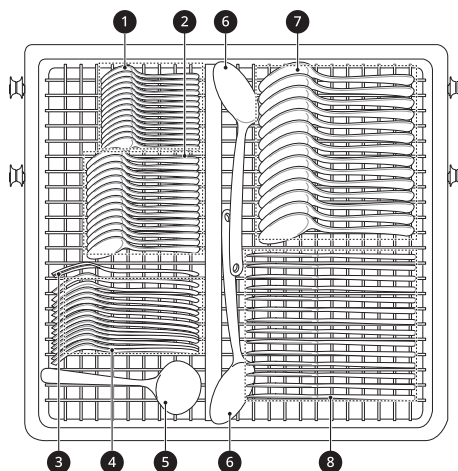
- Kapacitás: 14 teríték
- Összehasonlíthatóság program: **Eco**
- Öblítőszer beállítás: L4
- Referencia tisztító: 22 g mosogatószer az adagoló belsejében
- Állítható magasságú U-rács helyzete: középen
- **Automatikus nyitás, szárítás** beállítás: Be
- Szűrő típusa: manuális

Automatikus nyitás, szárítás funkcióval fel nem szerelt modelleknél

- Kapacitás: 14 teríték
- Összehasonlíthatóság program: **Eco**
- Öblítőszer beállítás: L4
- Referencia tisztító: 22 g mosogatószer az adagoló belsejében
- Állítható magasságú U-rács helyzete: középen
- Szűrő típusa: manuális

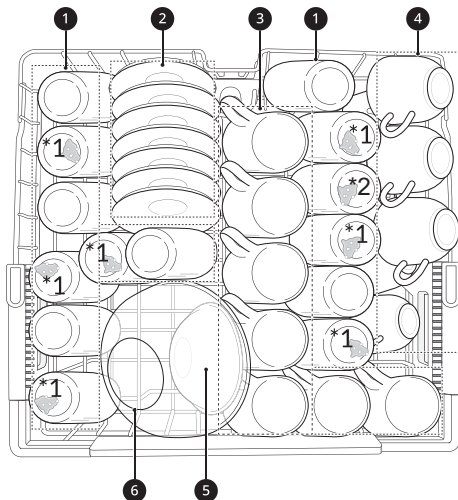
Az edények berakása

Evőeszközosár



- 1 Teáskanalak (nem szennyezettek)
- 2 Desszert kanalak (nem szennyezettek)
- 3 Tálaló villa (nem szennyezettek)
- 4 Villák (tojás)
- 5 Leveses merőkanál (nem szennyezett)
- 6 Tálaló kanalak (nem szennyezettek)
- 7 Leveses kanalak (zabpohely)
 - Minden 2. evőkanál szennyezett.
- 8 Kések (nem szennyezettek)

Felső rács



1 Poharak (tej)

*1 Tejtől foltos pohár 7db

*2 Tejes pohár az EN60704-2-3: 2020 szerint

2 Csészealjok (fekete tea)

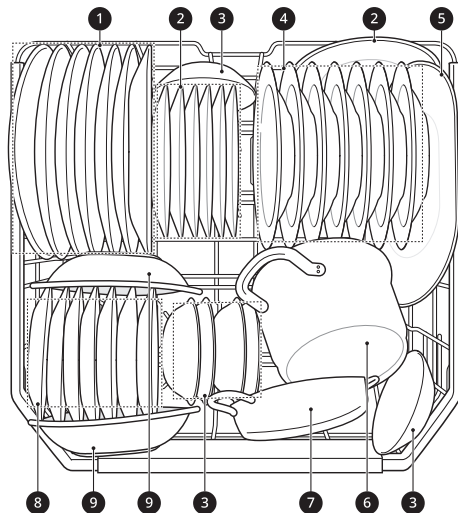
3 Bögrék (fekete tea)

4 Csészék (fekete tea)

5 Desszertes tál (zabpehely)

6 Üvegedény (hús)

Alsó rács



1 Tányérok (tojás)

2 Melamin szószos tál (tojás)

3 Desszert tálak (zabpehely)

4 Leveses tányérok (zabpehely)

5 Ovális tál (hús)

6 Kis edények (spenót + margarin)

7 Főzőedény (hús)

8 Desszert tálak (spenót)

9 Melamin tálak (margarin)

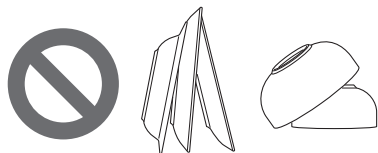
A mosogatógép megtöltése

A hatékony mosási eredmény érdekében mindig kövesse az utasításokat.

- Az edények berakása előtt mindig távolítsa el a nagy ételmaradékokat, pl. a csontokat stb., a tányérokról. Mindig öblítse le a tányérokat, ha azok nem moshatók azonnal.
- Az odaégett ételmaradékokat tartalmazó eszközöket a mosogatógépbe való berakás előtt áztassa be.
- A mély eszközöket fejjel lefelé helyezze be.

42 ÜZEMELTETÉS

- Lehet, hogy a műanyag eszközök másokhoz képest nem száradnak jól.
- Ügyeljen arra, hogy az eszközök ne érjenek egymáshoz.



Mosogatógépekhez nem használható eszközök.

A magas víz hőmérséklet és a mosogatószer bizonyos eszközökben kárt tehetnek. A következő eszközöket ne mosogassa.

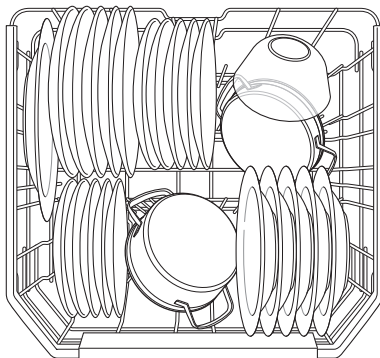
- Réz és anodizált alumínium
- Kézrel festett ezüst vagy arany bevonatos edények
- Fából vagy csontból készült eszközök
- Vas vagy nem rozsdálló eszközök
- Műanyag termékek, amelyek mosogatógépben való mosása nem biztonságos
- Drága termékek, mint pl. ezüsből készült és aranyperemű eszközök
- Törekeny eszközök, például kristály poharak

⚠ VIGYÁZAT

- Ne helyezzen műanyag fogantyús tálakat és serpenyőket a készülékbe, mivel a fogantyúk a hő és a mosogatószer miatt degenerálódhatnak.
- Lehet, hogy a poharokról nem távolíthatók el a vízálló vagy tartós rúzsok foltjai a mosás közben.

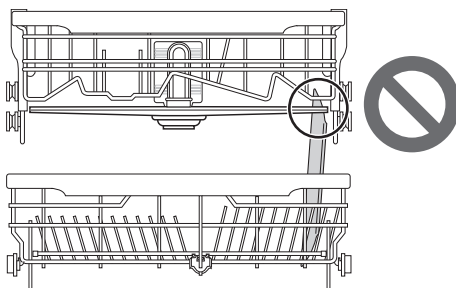
serpenyőket és a nagy edényeket fejjel lefelé kell fordítani.

A nagyobb edények berakásának megkönnyítésére az első sor tartóvillái lehajthatók.



⚠ VIGYÁZAT

- Nem szabad túl magas vagy a kosarakon kinyúló tárgyakkal akadályozni a szórókarok mozgását. A szórókarok kézzel történő forgatásával ellenőrizze a szabad mozgásukat.



Az alsó rács megtöltése

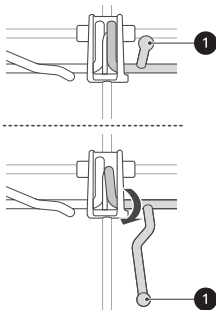
Napi használatú eszközök berakodása

Az alsó rács megfelelő lapos tányérok, leveses tányérok, tálak, edények, serpenyők, fedelek és grilltálca számára.

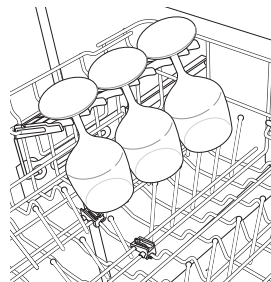
A tányérokat függőlegesen felállítva, a rács középpontja felé fordítva kell elhelyezni. A tálakat,

A rács tartóvilláinak lehajtása

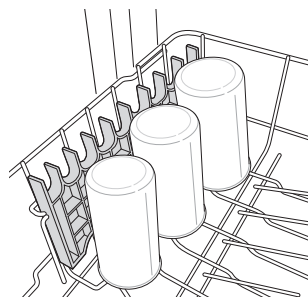
Hajtsa le a villákat a nagyobb edények behelyezéséhez; a kisebb edényekhez állítsa vissza a villákat.



A pohárrácsok a hosszú üvegpoharaknak biztosítanak támasztékot.



A bal oldali villasor lehajtható, vagy a pohártartó rácsok felfelé kihajthatók a magas edények számára.



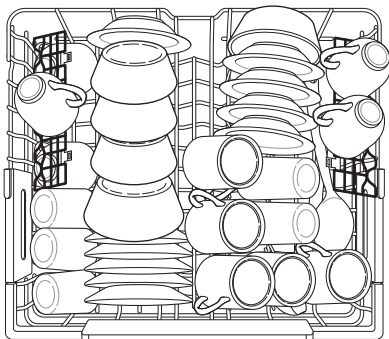
A felső rács megtöltése

Napi használatú eszközök berakodása

A felső rács kényes termékekhez megfelelő, pl. kis tányérok, hosszú evőeszközök, csészék, poharak és a készülékbe helyezhető műanyag termékek.

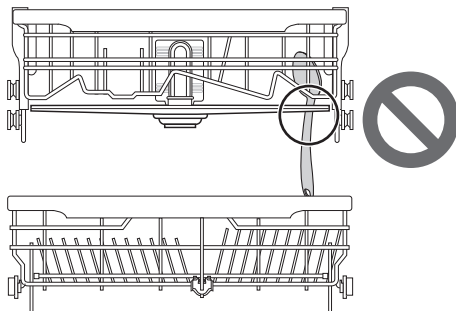
A csészéket, üvegpoharakat és a tálakat fejjel lefelé helyezze el.

A tányérok teteje behelyezéskor felfelé nézzen.



⚠ VIGYÁZAT

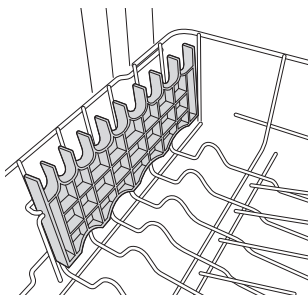
- Nem szabad túl magas vagy a kosarakon kinyúló tárgyakkal akadályozni a szűrőkarok mozgását. A szűrőkarok kézzel történő forgatásával ellenőrizze a szabad mozgásukat.



A pohártartó rácsok kivétele és visszahelyezése

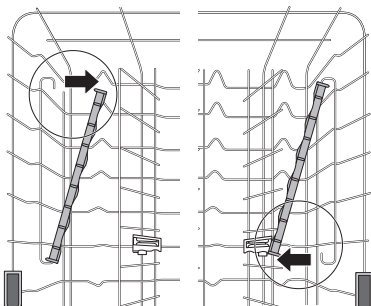
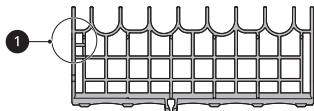
A bal és jobb oldali pohártartó rácsok felcserélhetők és kivehetők.

- 1 Csúsztassa le a pohártartó rácsot zárt állásba.

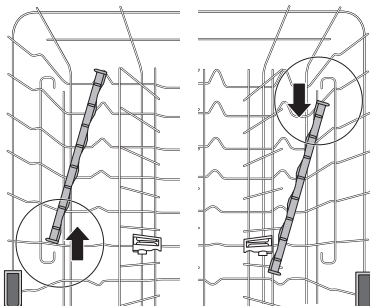


- 2 Keresse meg a szerelőlyukat ❶ a pohártartó rácson, és erősen pattintsa ki a rácsot a támasztórúdról az adott oldalon.

- A rács bal oldala kiszabadul hátul. A rács jobb oldala kiszabadul elől.



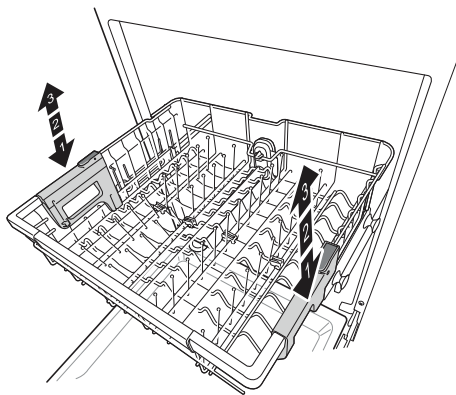
- 3 Csúsztassa le a pohártartó rácsot az ellentétes oldalon lévő tartórúdról.



- 4 A pohártartó rács visszahelyezéséhez végezze el az utasításokat fordított sorrendben.

Állítható magasságú felső rács

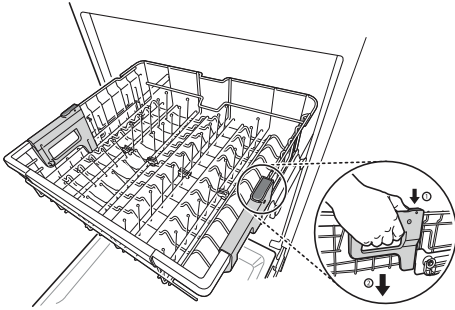
A felső rács magassága beállítható, amikor hosszú szárú poharakat vagy magas edényeket helyez be. Három pozíció áll rendelkezésre a felső rács magasságának beállítására, így több lesz a hely.



A rács leeresztése

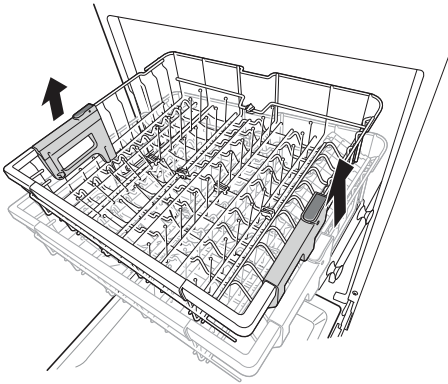
Tartsa a rácsot mindkét oldal közepén, hogy megtartsa tömegét. Ezután nyomja meg az

oldalakon lévő gombokat, hogy a rács kioldjon, majd engedje le alacsonyabb pozícióba.



A rács emelése

Emelje meg a rácsot az oldalak közepén, amíg a rács a helyére pattan a felső pozícióban. A zárókarokat nem kell emelni a rács emeléséhez.



A tányér lehetséges mérete a felső rács pozíciója szerint

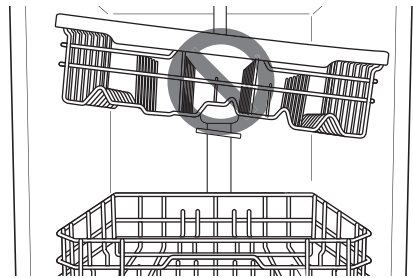
Felső rács pozíciója	Tányér mérete (mm)		
	Felső rács		Alsó rács
	evőeszköz tartóval	evőeszköz tartó nélkül	
Felső	165	215	300
Középső	193	243	272
Alsó	221	271	244

FIGYELMEZTETÉS

- Beállítás előtt ellenőrizze, hogy a rácsot kiürítette-e. Ellenkező esetben az edények sérülhetnek, vagy személyi sérülés történhet.

MEGJEGYZÉS

- Emelje a felső rácsot anélkül, hogy megnyomná az oldalsó gombokat. A gombok megnyomása a rács emelése közben megakadályozza, hogy a rács a helyére pattanjon.
- A rács középső pozícióba helyezéséhez könnyebb lehet, ha a rácsot teljesen leereszti, majd a rács oldalait külön-külön megemeli, amíg a helyükre nem pattannak.



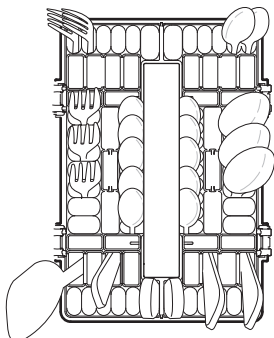
- A magasságon 56 mm-t emelhet, ha a felső rácsot alsóbb pozícióba helyezi.
- A rácsok szintjének beállítása után ellenőrizze a szórókarok szabad mozgását.
- A felső rács alsó pozíciójában ellenőrizze, hogy a felső rács alsó része a szórókarokkal együtt nem akadályozza-e az alsó rácsra helyezett eszközöket.
- Amikor a felső rács alsó pozícióban van, először a felső rácsot tolja be, majd az alsó rácsot.
- Először az alsó rácsot húzza ki, majd ezután a felső rácsot.
- Amikor a felső rács alsó pozícióban van, az edények lehetséges magassága eltér azon modellektől, ahol az evőeszköztartó fel van helyezve.

Berakodás az evőeszközkosárba

Napi használatú eszközök berakodása

Nagy eszközök esetén, mint pl. habverők, a fedél kiakasztással nyitható.

A villákat és a kanalakat nyéllel lefelé helyezze az evőeszközkosárba.

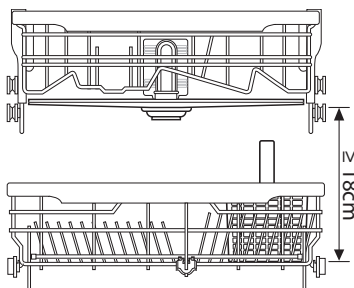


▲ FIGYELMEZTETÉS

- A sérülések megelőzése érdekében helyezze a késeket és az egyéb éles eszközöket az evőeszközkosárba.
- Ha szeretné azokat evőeszközkosárba helyezni, helyezze azokat úgy, hogy éleik lefelé nézzenek.

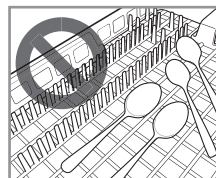
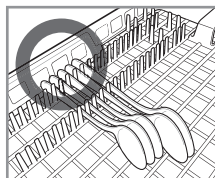
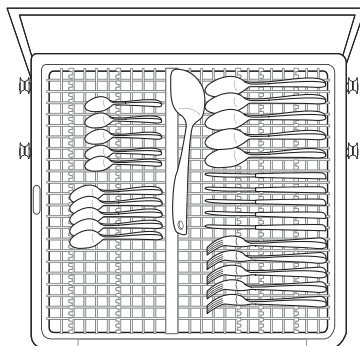
▲ VIGYÁZAT

- Ne akadályozza a szórókarok forgását.
- Az evőeszközök ne legyenek hosszabbak 18 cm-nél.

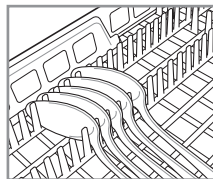


Berakodás az evőeszköztartó rácsba

Az evőeszköztartó rács lapos cikkek és a legtöbb főző vagy tálaló eszköz elhelyezésére alkalmas. Kis előkészítő tálak és fedők is elhelyezhetők. Az evőeszköztartó rács elválasztóival elkülöníthetők az eszközök, így elkerülhető a sérülés és tisztábbak lesznek.



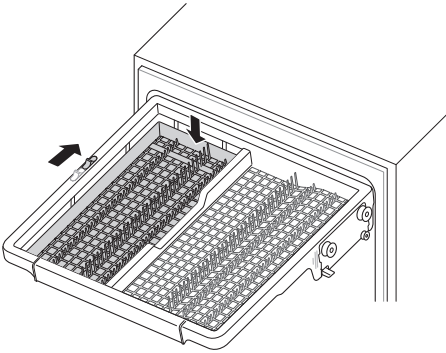
Ha az evőeszközök nyele túl vastag, fordítsa meg azokat úgy, hogy a nyelük a másik irányba mutasson.



Állítható magasságú tálca

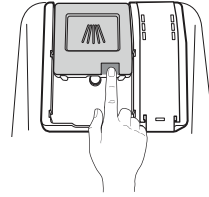
A bal oldali tálca magas vagy alacsony pozícióra állítható a különféle méretű eszközök vagy edények elhelyezésére. A tálca beállítása előtt

vegye ki az edényeket. Állítsa be a tálcát a kar csúsztatásával.



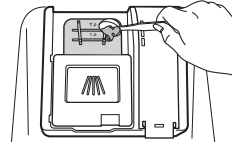
- Az, hogy milyen mennyiségű mosogatószerre van szükség, függ a ciklustól, a töltet nagyságától és az edények szennyezettségétől.
- Helyezzen mosogatószer a mosogatószer rekeszébe a ciklus indítása előtt, az **Rinse (Öblítés)** ciklus kivételével.

- 1** A fedél nyitásához nyomja meg az adagoló fedelén lévő gombot.

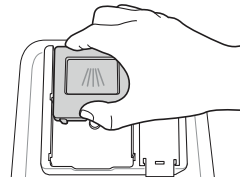


- 2** Adagolja a mosogatószer a fő mosórekeszbe, amíg a szint a 15-ös és 25-ös vonal között lesz.

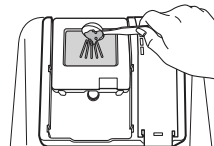
- Kemény víz vagy nagyon szennyezett edények esetében a 25-ös vonal fölé töltsen.
- Lágy víz vagy kevésbé szennyezett edények esetében a 15-ös vonalig töltsen.



- 3** Nyomja le az adagoló fedelét, hogy az csúszva becsukódjon, amíg kattánás nem hallható.



- 4** Ha előmosásra van szükség, töltsen meg a recézett előmosási rekeszt a fedélen mosogatószerrel.

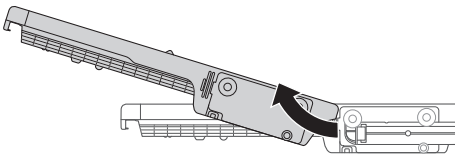


Az evőeszköztartó rács eltávolítása

A teljes evőeszköztartó rács kivehető, ha a felső rácson több hely kell a nagyobb eszközöknek.

Mindig vegye ki az evőeszközöket a rácsról annak mozgatása előtt.

Húzza ki a rácsot a sínek végéig. Ezután emelje fel a rács elejét úgy, hogy a görgők szabadba tegyék az ütközőt a sín végén. A rács előre elcsúsztatható és levehető a sínekről.



⚠ FIGYELMEZTETÉS

- Legyen óvatos, amikor éles eszközöket pakol be és ki. Az éles késeket élével lefelé fordítva pakolja a sérülés kockázatának csökkentése érdekében.

Tisztítószer hozzáadása

Mosogatószer adagolása az adagolóba

- Vegye le a címkét az adagolóról a készülék első használata előtt.

Program	Mosogatószer mennyisége
	Fő mosás (adagoló)
Auto	20 g
Intensive (Intenzív)	20 g
Delicate (Kímélő)	20 g
Refresh (Frissítés)	-
Eco	22 g
Turbo (Turbó)	20 g
Download Cycle (Programletöltés)	20 g
Machine Clean (Készülék tisztítása)	20 g
Rinse (Öblítés)	-
Express (Expressz)	20 g

- A készülék károsodásának elkerülése érdekében ne az adagolónál húzva csukja be a készülék ajtaját.



- Ha nem megfelelő mosogatószert és öblítőszert használ, akkor az sérüléshez, korrózióhoz, gyenge mosási eredményhez vagy szivárgáshoz vezethet.
- Csak szabvány szerint minősített mosogatószert és öblítőszert használjon. Ha nem szabvány szerint minősített mosogatószert és öblítőszert használ, akkor az sérüléshez, korrózióhoz, gyenge mosási eredményhez vagy szivárgáshoz vezethet.
- Túl sok mosogatószer használatakor túl sok hab képződhet. Ez a hab szivárgását és a mosogatóban az edények foltosodását okozhatja.

⚠ FIGYELMEZTETÉS

- A mosogatószer és az öblítőszer vegyi anyagokat tartalmazhat, mint minden más háztartási mosószer. Ezért azok gyermekektől elzárva tartandók.

⚠ VIGYÁZAT

- Csak mosogatógépek számára készült mosogatószert használjon. A nem megfelelő mosogatószer miatt a készülékben hab keletkezik működés közben. A túlzott hab ronthatja a mosogatósi eredményt, és a készülék szivárgásához vezethet.

MEGJEGYZÉS

- Ha túl sok mosogatószert használ, akkor az vékony bevonatot képezhet az edényeken és a tartályon, ami gyenge mosási eredményhez vezet.
- Mosogató után ellenőrizze, hogy a mosogatószert teljesen kimosta-e.
- Néhány mosogató tablettát túl nagy mérete miatt beragad az adagolóba. A tablettákat a szűrő melletti tároló aljába helyezheti a ciklus indítása előtt.
- Soha ne használjon folyékony mosogatószert a készülékben.
- Mosótabletták használata az **Express (Expressz)** ciklus esetében nem ajánlott. Mosótabletták használata esetén a mosószer lerakódhat az edényeken a viszonylag alacsony öblítési hőmérséklet miatt.

Újratöltés

A hatékony szárítási eredmény megőrzése érdekében rendszeresen ellenőrizze és töltsse fel az öblítőszerrel.

A hatékony mosási eredmény megőrzése érdekében rendszeresen ellenőrizze és töltsse fel a sót.

Az öblítőszer ellenőrzése

Amikor a ☼ ikon világít, azt jelenti, hogy az öblítőszer majdnem kifogyott. Szükség esetén töltsse fel az öblítőszeret tartalmazó rekeszt.

A mosogatógép-só ellenőrzése

A só feltöltése után működtessen egy mosási programot edények nélkül, mivel a kiömlött só a készüléken belül a készülék rozsdásodását vagy sérülését okozhatja, ha nem mossa le.

Amikor a ⚙ ikon világítani kezd, azt jelenti, hogy a só majdnem kifogyott. Szükség esetén töltsse fel a sót tartalmazó rekeszt.

⚠ VIGYÁZAT

- Ne tegyen mosogatószert vagy egyéb oldatot a vízlágyító házába a són kívül. Ellenkező esetben a vízlágyító rendszer meghibásodhat.

Hasznos ötletek

Szárítás

- Lehet, hogy a műanyag eszközök másokhoz képest gyengén száradnak.
- A szárítás elősegítésére az ajtó rövid időre kinyitható a ciklus után.

MEGJEGYZÉS

- Ügyeljen arra, hogy az eszközök ne érjenek egymáshoz.
- Ha a szárítási eredmény nem jó, vagy vízfoltok maradnak, kapcsolja be az **Extra Dry (Extra száraz)** lehetőséget, vagy állítsa be az öblítési szintet.

- Ha tableta típusú (2 az 1-ben, 3 az 1-ben) mosogatószert használ, több öblítőszerre lehet szükség az edények mennyiségétől függően; ebben az esetben használja az **Extra Dry (Extra száraz)** beállítást, vagy állítsa be az öblítési szintet.

A mosogatógép ürítése

- Az edények kivétele előtt ellenőrizze, hogy az edények kihűltek-e kézméleg hőmérsékletre.
- Először az alsó rácsot, majd a felsőt ürítse ki. Így megakadályozza, hogy a felső rácson lévő edényekről az alattuk lévő rácson lévőkre víz csepegjen.

⚠ FIGYELMEZTETÉS

- Ne húzza ki egyszerre a teljes megrakott rácsokat, különben a készülék felborulhat. A rácsokat egymás után ürítse.

INTELLIGENS FUNKCIÓK

LG ThinQ Alkalmazás

Az **LG ThinQ** alkalmazás használatával Ön okostelefonján keresztül kommunikálhat a készülékkel.

LG ThinQ Applikáció jellemzői

Kommunikáljon a készülékkel egy okostelefon és a kényelmes intelligens funkciók segítségével.

Megfigyelés

Ezzel a funkcióval egy képernyőn ellenőrizhető az aktuális státusz, a ciklus, a beállítás menetideje és a ciklus befejezési ideje.

Download Cycle (Programletöltés)

Új és speciális ciklusokat tölthet le, amelyek nem szerepelnek a készülék alapvető ciklusai között.

A sikeresen regisztrált készülékek letölthetik a készülékre jellemző számos különféle speciális programokat.

Egy időben csak egy programot lehet tárolni a készüléken.

Miután befejeződött a program letöltése a készülékre, a készülék megtartja a letöltött programot mindaddig, amíg le nem töltenek egy új programot.

Gépi tisztítás emlékeztető

Ez a funkció megmutatja, hogy hány program van hátra mielőtt le kell futtatni a **Machine Clean (Készülék tisztítása)** programot.

Smart Diagnosis

A használati mintázat alapján ez a funkció hasznos információkat nyújt a készüléknél jelentkező problémák diagnosztizálásánál és megoldásánál.

Beállítások

Lehetővé teszi a különböző beállítások választását a készüléken és az applikációban.

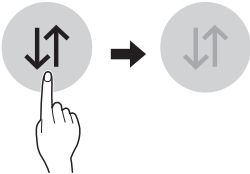
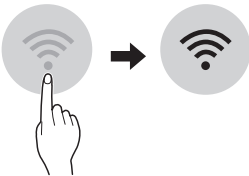
Figyelmeztetések gomb

Amikor a ciklus befejeződött, vagy a készüléknek problémája van, Önnek lehetősége van arra, hogy leküldéses értesítéseket kapjon okostelefonjára. Az értesítések akkor is elindulnak, amikor az **LG ThinQ** alkalmazás ki van kapcsolva.

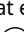
MEGJEGYZÉS

- Ha lecseréli a Wi-Fi routerét, internetszolgáltatóját vagy jelszavát, akkor törölje a regisztrált készüléket az **LG ThinQ** alkalmazásból, majd regisztrálja újra.
- Fenntartjuk a jogot, hogy a felhasználók felé irányuló minden előzetes értesítés nélkül, az applikációt módosítsuk készülék jobbá tétele céljából.
- A tulajdonságok típusfüggők.

LG ThinQ Applikáció használata előtt

- 1 Ellenőrizze a távolságot a készülék és a vezeték nélküli útválasztó között (Wi-Fi hálózat).
 - Ha a távolság a készülék és a vezeték nélküli útválasztó között nagy, a jelerősség gyenge lesz. Hosszú ideig tarthat a regisztrálás vagy a telepítés sikertelen lehet.
- 2 Kérjük, kapcsolja ki a **Mobil adatotaz** okostelefonján.
 
- 3 Csatlakoztassa okos-telefonját a vezeték nélküli router-hez.
 

MEGJEGYZÉS

- A Wi-Fi kapcsolat ellenőrzéséhez, nézze meg, hogy világít-e a  ikon a kezelőpanelen.
- A készülék csak a 2,4 GHz-es Wi-Fi hálózatokat támogatja. Hálózati frekvenciája ellenőrzéséhez, forduljon az Internet szolgáltatóhoz, vagy olvassa el a vezeték nélküli router kézikönyvét.
- Az **LG ThinQ** nem vállal felelősséget semmilyen hálózati probléma vagy hiba, üzemzavar, vagy a hálózati kapcsolat gond esetén.
- Amennyiben a készülék nem tud kapcsolódni a Wi-Fi hálózathoz, akkor lehet, hogy túl messze van a jeladótól (router). A Wi-Fi jel erősségének növeléséhez, szerezzen be egy Wi-Fi erősítőt (hatótávnyelőt).
- A Wi-Fi kapcsolat nem jön létre vagy megszakadhat az otthoni hálózati környezet miatt.
- Megtörténhet, hogy a hálózati kapcsolat nem működik megfelelően az internet szolgáltató miatt.
- A környező vezeték nélküli környezetben lehet, hogy a vezeték nélküli hálózati szolgáltatás lassú.
- A készüléket nem lehet regisztrálni a vezeték nélküli jelátvitellel felmerült problémák miatt. Áramtalanítsa a készüléket, és várjon körülbelül egy percet, mielőtt újra próbálkozna.
- Ha a tűzfal engedélyezett a vezeték nélküli útválasztón, kapcsolja ki a tűzfalat, vagy adjon meg egy kivételt.
- A vezeték nélküli hálózat neve (SSID) ékezet nélküli betűk és számok kombinációja kell legyen. (Ne használjon speciális karaktereket)
- Az okostelefon felhasználói felülete (UI) változhat a mobil operációs rendszere (OS) és a gyártó függvényében.
- Amennyiben a router biztonsági protokollja **WEP** értékre van beállítva, megghiúsulhat a kapcsolat létrehozása. Kérjük, válasszon másik biztonsági protokollt (ajánlott: **WPA2**) és regisztrálja ismét a terméket.

Az LG ThinQ Applikáció telepítése

Keresse meg az **LG ThinQ** alkalmazást okostelefonján, a Google Play & Apple App áruházban. Kövesse az utasításokat az alkalmazás letöltéséhez és telepítéséhez.

Hálózati csatlakozás inaktíválása

Okostelefonján kapcsolódjon le az otthoni Wi-Fi hálózatról.

- 1 Indítsa el az **LG ThinQ** alkalmazást.
- 2 Válassza ki és érintse meg a **Mosogatógép** lehetőséget az alkalmazásban.
- 3 Válassza ki és érintse meg a **Termék törlése** lehetőséget a beállítások menüben a leválasztáshoz.

A vezeték nélküli LAN modul specifikációi

Modell	LCW-003
Frekvenciatartomány	2412 és 2472 MHz között
Kimeneti teljesítmény (max.)	IEEE 802.11b: 18.37 dBm IEEE 802.11g: 17.67 dBm IEEE 802.11n: 17.67 dBm

Vezeték nélküli funkció S/W verzió : V 1.0

A felhasználó érdekében a készüléket a testtől legalább 20 cm távolságra kell felszerelni és üzemeltetni.

Megfelelőségi nyilatkozat



Az LG Electronics ezúton kijelenti, hogy a mosogatógép típusú rádiós berendezés megfelel a 2014/53/EU irányelvnek. A teljes EU megfeleléségi nyilatkozat a következő címen érhető el:

<http://www.lg.com/global/support/cedoc/cedoc#>
 LG Electronics European Shared Service Centre B.V.
 Krijgsman 1, 1186 DM Amstelveen, Hollandia

Információk a nyílt forráskódú szoftverrel kapcsolatban

A termékben található GPL, LGPL, MPL és más nyílt forráskódú licenck kódjainak beszerzése érdekében látogasson el a <http://opensource.lge.com> webhelyre.

A forráskód mellett minden hivatkozott licenccfeltétel, jótállási nyilatkozat és szerzői jogi közlemény letölthető.

Az LG Electronics a vonatkozó költségeknek megfelelő összegért (az adathordozó, a szállítás és a kezelés költségei) CD-ROM-on is biztosítani tudja Önnek a nyílt forráskódot, ha írásos kérelmet küld az opensource@lge.com e-mail-címre. Ez az ajánlat a termék utolsó kiszállításának idejétől számított három évig érvényes. Ez az ajánlat mindenki számára érvényes, akihez eljut ez az információ.

Smart Diagnosis (Okos diagnosztika)

Ez a funkció csak  vagy  logóval ellátott modellek esetén elérhető.

E funkció segít a készülékkel kapcsolatos problémák diagnosztizálásában és megoldásában.

MEGJEGYZÉS

- Nem az LGE hanyagságának betudható okok miatt lehet, hogy a szolgáltatás nem működik külső tényezők miatt, mint pl. a Wi-Fi nem elérhető, a Wi-Fi lecsatlakozik, helyi alkalmazásbolt szabályzata, vagy az alkalmazás nem elérhető.

- A funkció előzetes értesítés nélkül változhat, és a helytől függően eltérő formájú lehet.

A LG ThinQ használata problémák diagnosztizálására



Ha problémát tapasztal a Wi-Fi-vel ellátott készüléken, a funkció a hibaelhárítási adatokat okostelefonra továbbíthatja az **LG ThinQ** alkalmazás használatával.

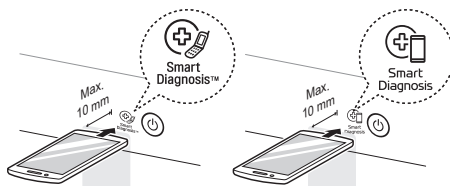
- Indítsa el az **LG ThinQ** alkalmazást, és válassza ki a **Smart Diagnosis** funkciót a menüből. Kövesse az **LG ThinQ** alkalmazásban megjelenő útmutatásokat.

Hallható diagnosztika használata problémák diagnosztizálására

Kövesse az alábbi utasításokat a hallható diagnosztika mód használatához.

- Indítsa el az **LG ThinQ** alkalmazást, és válassza ki a **Smart Diagnosis** funkciót a menüből. Kövesse az **LG ThinQ** alkalmazásban megjelenő útmutatásokat a hallható diagnosztikáért.

- Nyomja meg a **Kapcsoló** gombot a készülék bekapcsolásához.
 - Ne nyomjon meg más gombot.
- Helyezze az okostelefon mikrofonját a  vagy a  logóhoz közel.



- Nyomja meg és tartsa lenyomva a **Download Cycle (Programletöltés)** gombot legalább 3 másodpercig, miközben az okostelefon mikrofonját a logóhoz tartja, amíg az adatátvitel be nem fejeződik.
 - Tartsa az okostelefont ezen a helyen, amíg az adatátvitel be nem fejeződik. A kijelzőn

megjelenik az adattovábbítás fennmaradó ideje.

- 4** Az adatátvitel befejezését követően a diagnózis megjelenik az alkalmazásban.

MEGJEGYZÉS

- A legjobb eredmények érdekében az adattovábbítás közben ne mozgassa el az okos telefont.

Ügyfélszolgálat és szerviz

Vegye fel a kapcsolatot az LG Electronics ügyfélinformációs központjával.

- Az LG Electronics hivatalos szervizszemélyzetével való kapcsolatfelvételhez keresse fel weboldalunkat a **www.lg.com** címen, és kövesse az ott található utasításokat.
- Nem javasolt, hogy Ön próbálja megjavítani a készüléke, mivel ez további károkat okozhat az eszközönél, és érvénytelenítheti a jótállást.
- A 2019/2022 rendeletben hivatkozott pótalkatrészek legalább 7 évig elérhetők.

KARBANTARTÁS

A teljesítmény fenntartása és a problémák megelőzése érdekében rendszeresen ellenőrizze a készülék belső és külső részét, beleértve a szűrőket és a szórókarokat.

⚠ FIGYELMEZTETÉS

- A készülék belső és külső részének tisztításakor ne használjon oldószer alapú oldatot, például higítót vagy acetont, mert azzal tüzet vagy robbanást okozhat.

MEGJEGYZÉS

- Akadályozza meg, hogy állatok játsszanak a tápkábellel vagy a víztömlővel.

Tisztítás és ápolás

A külső felületek tisztítása

A legtöbb esetben a készülék külső része puha, nedves törölkendővel vagy szivaccsal tisztítható, majd puha kendővel szárazra törölhető. Ha a készülék burkolata rozsdamentes acél, akkor annak megfelelő tisztítószerrel tisztítsa meg.

⚠ VIGYÁZAT

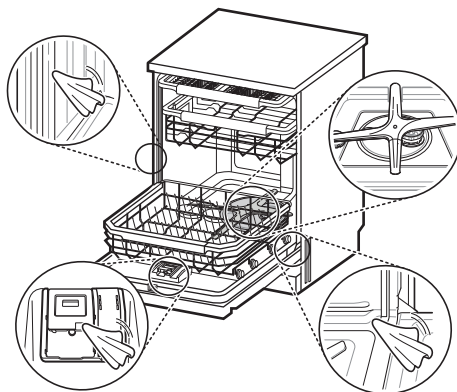
- Ha sütőolaj került a termékre, azonnal törölje le. Ne tisztítsa meg a termék külsejét olyan tisztítószerrel, amelyek alkoholt, higítókat, fehérítőt, benzint, gyúlékony folyadékokat vagy súrolószereket tartalmaznak. Ezek az anyagok elszínezhetik vagy károsíthatják a készüléket.

A belső felületek tisztítása

Javasolt a belső felületet, a szórókarokat vagy a szűrőket kéthetente megtisztítani.

Tisztítsa meg a készülék belsejét időnként puha, nedves törölkendővel vagy szivaccsal az ételmaradékok és a szennyeződések eltávolítására.

Az ételmaradékok beragadhatnak a készülék apró hézagaiba a mosogatás befejezése után. Minden ételmaradékot töröljön le.



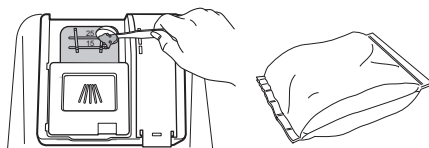
MEGJEGYZÉS

- Ha hosszú ideje nem használta a készüléket, frissítse belsejét a **Turbo (Turbó)** vagy a **Machine Clean (Készülék tisztítása)** program futtatásával, és használjon mosószert. A ciklus befejezése után tisztítsa meg a gép belső és külső részét a **KARBANTARTÁS** útmutatás szerint.

A tartály tisztítása

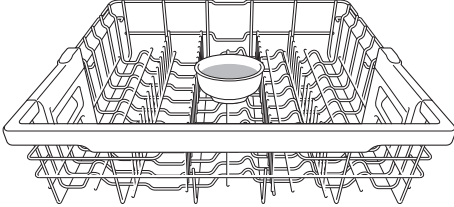
Citromsav használata

Vegye ki az összes edényt, evőeszközöket és kosártartót a készülékből. Csak a rácsok maradjanak a tartóban. A legjobb eredményekért használjon citromsav port (a legtöbb áruházban vagy webáruházban dobozban megtalálható). Mérjen ki 3 evőkanál (45 g) citromsav port. Töltse bele a fő mosás rekeszébe.



Fehér ecet használata

Ha nem talál citromsav port, öntsön kb. 3/4 - 1 1/4 csészenyi (200 - 300 ml) fehér ecetet egy alacsony tálba, és helyezze azt a felső rácsra. Futtassa az **Auto** ciklust. Ne használjon mosogatószeret. A ciklus befejezése után indítsa újra.

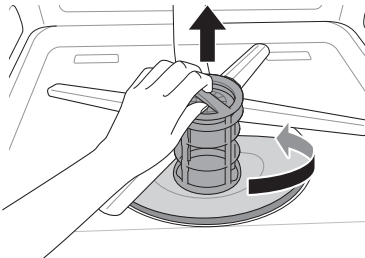


⚠ VIGYÁZAT

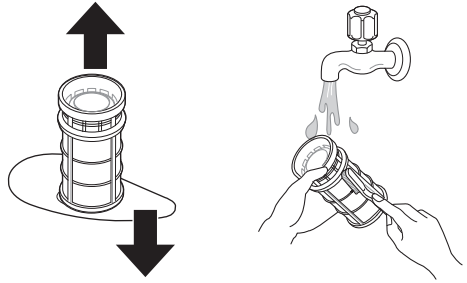
- Ne öntsön ecetet közvetlenül az alapba.
- Az ecet túlzott használata kárt tehet a készülékben.

Szűrők tisztítása

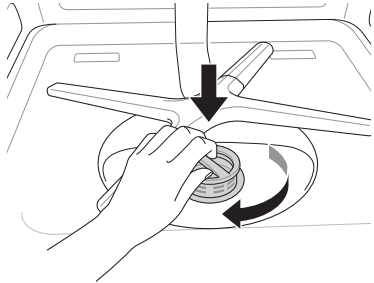
- 1 Vegye ki az alsó rácsot, és helyezze az alsó szűrőkart úgy, hogy szélesebb V-alakban legyen nyitva elől.
- 2 Forgassa el a belső szűrőt az óramutató járásával ellentétes irányban, és vegye ki az összeszerelt belső szűrőt és a rozsdamentes acél szűrőt.



- 3 Tisztítsa meg a szűrőket puha kefével folyóvíz alatt. Szerelje össze a szűrőket az ismételt beszerelés előtt.



- 4 Az összeszerelt szűrők cseréjéhez helyezze úgy a szűrőkart, hogy a szélesebb V-alak előre nézzen. Illessze vissza a szűrőket a szűrőtartóba, és rögzítse azokat úgy, hogy az óramutató járásával egyező irányba forgatja a belső szűrőt, amíg az a helyére nem pattan.



⚠ FIGYELMEZTETÉS

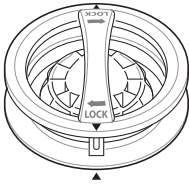
- Ügyeljen az éles peremekre a rozsdamentes acél szűrő használatakor.

⚠ VIGYÁZAT

- A készülék használata után a szűrők kiszűrrik az ételmaradékokat. Az el nem távolított ételmaradékok rossz szagot okoznak. Ezenkívül a leeresztés problémát okozhat, mivel ételmaradék van a szűrőkbe ragadva.

MEGJEGYZÉS

- Összeszereléskor forgassa erősen, amíg nem kattán.



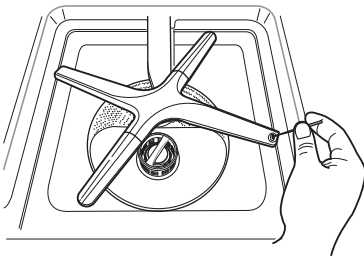
A szórókarok tisztítása

Ha a szórókar lyukait ételmaradék tömi el, az edények mosása nem lesz hatékony a vízpermet nem megfelelő erősség miatt.

Az alsó szórókar tisztítása

1 Ügyeljen arra, hogy a vízpermetező lyukakat ne blokkolja ételmaradék.

2 Ha ételmaradék blokkolja a szórókar lyukait, távolítsa azt el tűvel vagy más hegyes eszközzel.



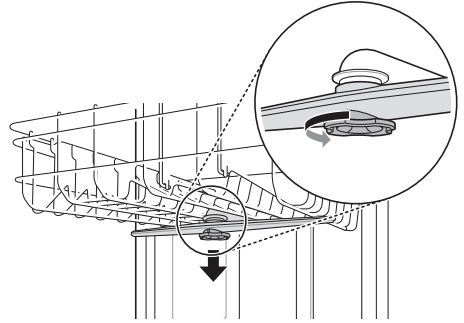
⚠ VIGYÁZAT

- Hogy a változtatható szögű szórókar záró részzeit ne törje el, ne húzza vagy forgassa azokat kézzel.

A felső szórókar tisztítása

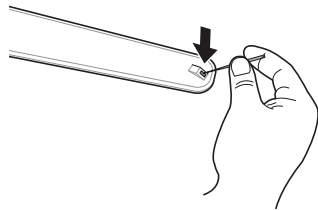
1 Húzza előre a felső rácsot. Ügyeljen arra, hogy a vízpermetező lyukakat ne blokkolja ételmaradék.

2 Ha tisztításra van szükség, vegye le a felső szórókart úgy, hogy a szórókar alján lévő anyát 1/8-ad fordulattal az óramutató járásával ellentétes irányba forgatja és lehúzza.



3 Távolítsa el az ételmaradékokat a szórókar öblítésével vagy rázásával.

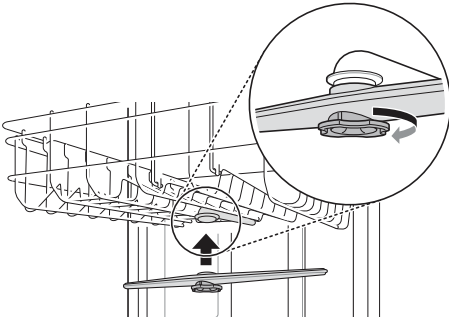
4 Ha ételmaradék blokkolja a szórókar lyukait, távolítsa azt el tűvel vagy más hegyes eszközzel.



5 Az ételmaradékok eltávolítása után tisztítsa meg a szórókarok lyukait folyóvíz alatt.

6 A felső szórókar megtisztítása után nyomja a helyére. Forgassa az anyát 1/8-ad fordulattal az

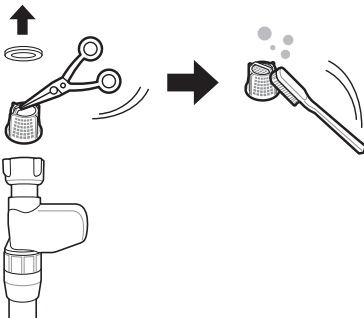
óramutató járásával egyező irányba a rögzítéshez.



- 7 Összeszerelés után ellenőrizze, hogy a szűrőkarok szabadon forognak-e.

A vízbevezető tömlő szűrőjének tisztítása

- 1 Húzza ki a csatlakozódugót.
- 2 Zárja el a vízcsapot.
- 3 Csavarozza ki a vízbevezető tömlőt.
- 4 Vegye ki a tömitést és a műanyag szűrőt kis csipesszel vagy fogóval.



- 5 Illessze vissza a szűrőt és a tömitést, és ellenőrizze helyes illeszkedésüket.

- 6 Illessze vissza és rögzítse a vízbevezető tömlőt fordított sorrendben. Ne használjon mechanikus eszközt a tömlő meghúzásához. A kézi meghúzás puha kendővel segíthető.

MEGJEGYZÉS

- Egy szűrő van a vízbevezető tömlő csatlakozó bemeneténél.
- Ha nem jut elég víz a készülékbe, ellenőrizze, hogy a szűrő nincs-e eltömődve.
- Szivárgás esetén a vízbevezető tömlő megfelelő csatlakoztatását ellenőrizze.
- Soha ne feszítse túl a vízbevezető szelepet, illetve a meghúzáshoz ne használjon mechanikus eszközöket.
- A tömités és a szűrő újbóli összeszerelésekor ügyeljen arra, hogy azokon ne legyen vízellátásból származó szennyeződés.

Szezonális karbantartás és tárolás

- Ha hosszabb ideig nem fogja használni a készüléket a melegebb nyári időszakban, zárja el a vízszelepet, és húzza ki a tápkábelt, vagy kapcsolja ki az áramköri megszakítót. Tisztítsa meg a szűrőt, a tartót és az adagolót, hogy megelőzze a szagok képződését.
- Ha hosszabb ideig nem fogja használni a készüléket a hidegebb időszakban, és fennáll annak lehetősége, hogy fagypontra süllyed a hőmérséklet, téliesítse a vízellátó vezetékeket és a készüléket. A téliesítést szakképzett szerviztechnikus végezze.

HIBAE LHÁRÍTÁS

A szerviz felhívása előtt

A készülék működtetése során hibák és hibás működés léphetnek fel. A következő táblázatok az egyes hibaüzenetek vagy hibás működések lehetséges okait, és a megoldásukra vonatkozó megjegyzéseket tartalmazzák. A legtöbb problémát saját maga is el tudja hárítani, így pénzt és időt takaríthat meg, mivel nem kell felhívnia az LG Electronics ügyfélszolgálatát. A következő táblázat a hibaelhárításban nyújt segítséget Önnek.

Hibakódok

A készüléke fel van szerelve egy automatikus hibamegfigyelő rendszerrel, hogy korai szakaszban észlelhesse és diagnosztizálhassa a problémákat. Ha a készülék nem működik megfelelően, vagy egyáltalán nem működik, tekintse meg az alábbi táblázatokat az LG Electronics ügyfélszolgálat felhívása előtt.

Tünetek	Lehetséges ok és megoldás
I E	<p>Vízbevezetési probléma.</p> <ul style="list-style-type: none"> Ellenőrizze, hogy a vízbevezető tömlő esetében van-e eltömődés, gubancolódás vagy fagyás. Ellenőrizze a vízellátást.
OE	<p>Leeresztési probléma.</p> <ul style="list-style-type: none"> Ellenőrizze, hogy a leeresztő tömlő esetében van-e eltömődés, gubancolódás vagy fagyás.
	<p>Eltömődött a szennyvízcső.</p> <ul style="list-style-type: none"> Távolítsa el a szennyvízcsővön lévő pecket.
	<p>Eltömődött szűrők.</p> <ul style="list-style-type: none"> Tisztítsa meg a szűrőket.
bE	<p>Túlzott habosodás nem megfelelő mosószer, pl. folyékony mosogatószer használata miatt.</p> <ul style="list-style-type: none"> Ne használjon kézi mosogató folyadékokat. Csak automata mosogatógépekhez gyártott mosogatószereket használjon. A mosószermaradványok készülékből való eltávolításához öntsön kb. 100–200 ml tejet egy lapos tálba, helyezze a felső rácsra, majd futtassa a készüléket az Auto cikluson.
	<p>A készülék nincs vízszintben.</p> <ul style="list-style-type: none"> Helyezze el vízszintesen a készüléket.
HE	<p>Fűtőkör hiba</p> <ul style="list-style-type: none"> Hívja a szervizt, ha ugyanaz a probléma ismét előfordul.
FE	<p>Túl sok a vízellátás.</p> <ul style="list-style-type: none"> Hívja a szervizt, ha ugyanaz a probléma ismét előfordul.

Tünetek	Lehetséges ok és megoldás
RE	Vízszivárgási probléma <ul style="list-style-type: none"> Hívja a szervizt, ha ugyanaz a probléma ismét előfordul.
EE	Termistor hiba <ul style="list-style-type: none"> Hívja a szervizt, ha ugyanaz a probléma ismét előfordul.
LE	Motorhiba <ul style="list-style-type: none"> Hívja a szervizt, ha ugyanaz a probléma ismét előfordul.
nE	Vario motor hiba <ul style="list-style-type: none"> Hívja a szervizt, ha ugyanaz a probléma ismét előfordul.

Üzemeltetés

Tünetek	Lehetséges ok és megoldás
Zaj	Normális jelenség, ha üzemelés közben bizonyos mértékű zajt hall. <ul style="list-style-type: none"> Mosószer fedelének nyílása. Szívópumpa a leeresztési ciklus kezdeténél.
	A készülék nem vízszintes. <ul style="list-style-type: none"> Állítsa be a szintezőlábat.
	A fűvókar az edényeknek ütközik. <ul style="list-style-type: none"> Helyezze át az edényeket.
	A víznyomás túl nagy. <ul style="list-style-type: none"> Állítsa be a víznyomást.
A készülék nem működik.	Az ajtó nincs teljesen bezárva. <ul style="list-style-type: none"> Állítsa vízszintes helyzetbe a készüléket.
	Az áramellátás vagy a tápkábel nincs csatlakoztatva. <ul style="list-style-type: none"> Csatlakoztassa helyesen az áramellátást vagy a tápkábelt.
	A Control Lock (Vezérlő zár) funkció bekapcsolásakor a CL kijelző-kód látható a kijelzőn. <ul style="list-style-type: none"> Kapcsolja ki a Control Lock (Vezérlő zár) gombot. Nyomja meg és tartsa lenyomva egyszerre a Half Load (Fél töltet) és az Energy Saver (Energiatakarékos) gombot 3 másodpercig a funkció be- vagy kikapcsolásához.
	A biztosíték kiment, vagy az áramköri megszakító kioldott. <ul style="list-style-type: none"> Cserélje ki a biztosítékot, vagy állítsa vissza az áramköri megszakítót.

Tünetek	Lehetséges ok és megoldás
A készülék folyamatosan hangjelzést ad, amikor az ajtó nyitva van, illetve a ciklus alatt vagy azt követően.	<p>A készülék tartalma forró, és óvatosnak kell lennünk, amikor kezünket a készülékbe helyezzük.</p> <ul style="list-style-type: none"> • Csukja be az ajtót, amíg a készülék és az edények kihűlnek. A hangjelzés leáll, ha az ajtó csukva van, illetve belseje kihűlt.
Víz marad a teknőben a ciklus befejezését követően.	<p>Megcsavarodott vagy eldugult a leeresztő tömlő.</p> <ul style="list-style-type: none"> • Állítsa be a tömlőt, vagy szüntesse meg az eltömődést.
	<p>Víz marad vissza, ha az áramellátás megszakadt, mielőtt a ciklus normálisan véget ért volna, vagy azt kézzel lekapcsolták.</p> <ul style="list-style-type: none"> • Indítsa újra a ciklust.
A szűrőkarok nem forognak akadálytalanul.	<p>A szűrőkarok lyukait az ételmaradékok eltömték.</p> <ul style="list-style-type: none"> • Tisztítsa meg a szűrőkarok lyukait.
A felső rács elhajlott.	<p>A rács rosszul van beállítva.</p> <ul style="list-style-type: none"> • Lásd az Állítható magasságú felső rács részt.
A lámpák nem világítanak.	<p>Nincs áramellátás csatlakoztatva.</p> <ul style="list-style-type: none"> • Csatlakoztassa az áramellátást.
Túl sok a hab a készülékben.	<p>Nem a készüléknek megfelelő mosogatószeret használ.</p> <ul style="list-style-type: none"> • Kizárólag a készüléknek megfelelő mosogatószeret használjon.
	<p>A túl sok öblítő habosodást okozhat.</p> <ul style="list-style-type: none"> • Csökkentse az öblítőszer adagoló szintjét.
Mosogatószer maradt az adagolóban.	<p>A felső rács nincs egyensúlyban.</p> <ul style="list-style-type: none"> • Állítsa be a felső rács bal/jobbs magasságát.
	<p>A mosogatószer nem lehetett adagolva, mert az edények egymásra helyezése megakadályozza az adagoló automatikus nyitását.</p> <ul style="list-style-type: none"> • Rendezze el helyesen az edényeket, és mindig szárítsa ki az adagolót, mielőtt új mosószeret adagol, hogy az ne ragadjon össze.
Víz szivárog a készülékből.	<p>Az ajtó a készülék dőlése miatt nem csukható be. Ebben az esetben víz szivárog.</p> <ul style="list-style-type: none"> • Ellenőrizze a szintezést a láb beállításával.
	<p>A leeresztő tömlő helytelen elhelyezése vízszivárgást okozhat.</p> <ul style="list-style-type: none"> • Ellenőrizze a leeresztő tömlő összekötő részét.
	<p>Ha az áram ki van kapcsolva, a csap helytelen csatlakoztatása vízszivárgást okozhat.</p> <ul style="list-style-type: none"> • Ellenőrizze a vízbevezető tömlő csatlakozását.

Teljesítmény

Tünetek	Lehetséges ok és megoldás
Foltok az üvegedényeken	Túl sok mosogatószer és kemény víz kombinációja <ul style="list-style-type: none"> • Használjon kevesebb mosogatószeret és öblítőszeret a probléma minimálisra csökkentésére. • Ellenőrizze a lágyító rendszer beállítását.
Fekete vagy szürke foltok az edényeken	Alumínium eszközök súrolják az edényeket a ciklus közben <ul style="list-style-type: none"> • Helyezze át az edényeket.
Sárga vagy barna bevonat a készülék belső felületein	Kávé- vagy teafoltok <ul style="list-style-type: none"> • Folteltávolítóval tüntesse el a foltot.
Sárga víz marad a mosogatógépben.	A készülék első használatakor sárga víz keletkezhet a vízlágyító tartályban. <ul style="list-style-type: none"> • Ez normális jelenség, és nem veszélyes emberekre. 1 - 3 ciklus után eltűnik.

Tünetek	Lehetséges ok és megoldás
Foltok és bevonatok az edényeken	Nem megfelelő mennyiségű mosószert használt <ul style="list-style-type: none"> • Használjon megfelelő mennyiségű mosószert.
	Túltöltés <ul style="list-style-type: none"> • Ne töltse túl a készüléket.
	Nem megfelelő megtöltés <ul style="list-style-type: none"> • Lásd az ÜZEMELTETÉS részt.
	Elégtelen víznyomás <ul style="list-style-type: none"> • A víznyomás 0,05 - 0,6 MPa legyen.
	Elégtelen mosószer <ul style="list-style-type: none"> • Töltsön be megfelelő mennyiségű mosószert. Lásd az ÜZEMELTETÉS részt.
	Az öblítőszer adagolója üres. <ul style="list-style-type: none"> • Töltse fel az öblítőszer adagolóját.
	A vízlágyítóban nincs só vagy elégtelen mennyiségű só van. <ul style="list-style-type: none"> • Ellenőrizze, hogy van-e só a vízlágyítóban.
	A víz keménységi szintje túl alacsonyra van beállítva. <ul style="list-style-type: none"> • Növelje a víz keménységi szint beállított értékét.
	Az öblítőszer mennyisége elégtelen. <ul style="list-style-type: none"> • Töltse fel öblítőszerrel, vagy növelje az adagolás mennyiségét.
	Kemény víz felgyülemzése a tartóban <ul style="list-style-type: none"> • Vegye ki az edényeket, az evőeszközöket és annak tartóját a készülékből. Csak a rácsok maradjanak benne. A legjobb eredményért használjon citromsav port (a legtöbb áruházban vagy webáruházban dobozos kivitelben megtalálható). Mérjen ki 3 evőkanál (45 g) citromsav port. Töltse bele a fő mosás rekeszébe. Ha nem talál citromsav port, öntsön kb. 3/4 - 1 1/4 csészényi (200 - 300 ml) fehér ecetet egy alacsony tálba, és helyezze azt a felső rácsra. Futtassa az Auto ciklust. Ne használjon mosószert. A ciklus befejezésekor futtassa ismét.
Szag	Az előző ciklust leállította a befejezés előtt, és víz maradt a készülékben. <ul style="list-style-type: none"> • Kapcsolja be az áramellátást, futtassa a Cancel (Mégse) ciklust a maradék víz eltávolításához, és futtassa a Turbo (Turbó) ciklust mosószerral, de a készülék legyen üres.
	Ételmaradék van az egység aljában vagy a szűrőben. <ul style="list-style-type: none"> • Tisztítsa meg a szűrőt és a belső részt a kézikönyv KARBANTARTÁS c. része szerint.
	A mosatlan edényeket túl sokáig hagyta az egységben. <ul style="list-style-type: none"> • Futtasson egy ciklust egy csésze ecettel, úgy, hogy a felső rácsra biztonságosan poharakat vagy tálat helyezett. (Az ecet egy sav, és folyamatos használata kárt tehet a készülékben.)

Tünetek	Lehetséges ok és megoldás
Ételmaradék marad az edényeken.	Nem megfelelő ciklust választott <ul style="list-style-type: none"> Válassza ki a helyes ciklust a mosogatni kívánt edények szennyezettsége és típusa szerint.
	A hőmérséklet túl alacsony. <ul style="list-style-type: none"> Ellenőrizze a vízcsatlakozást vagy a vízfűtő beállítását.
	Nem használt mosogatószert. <ul style="list-style-type: none"> Használja az ajánlott mosogatószert.
	Alacsony bemeneti víznyomás <ul style="list-style-type: none"> A víznyomás 0,05 - 0,6 MPa legyen.
	A szórókarok vízszugár-lyukai eltömődtek. <ul style="list-style-type: none"> Tisztítsa a szórókarokat.
	Az edények nem megfelelő behelyezése. <ul style="list-style-type: none"> Ügyeljen arra, hogy az edények ne akadályozzák a szórókar forgását vagy a mosószer adagolóját.
	Eltömődött szűrők. <ul style="list-style-type: none"> Tisztítsa meg a szűrőket.
	Túl sok eltávolítatlan ételmaradék az edényeken. <ul style="list-style-type: none"> A nagy ételmaradékokat a mosás kezdete előtt el kell távolítani az edényekről.

Szárítás

Tünetek	Lehetséges ok és megoldás
Az edények nem száradnak.	Az öblítő anyag adagolója üres. <ul style="list-style-type: none"> Ellenőrizze és töltsze tele az öblítő adagolóját, ha üres. A jobb szárítási eredményért használat után kissé nyissa ki az ajtót.
	A felhasznált tablettáknál lehet, hogy nincs beépített öblítőszer. Ez csökkenti a szárítási teljesítményt. <ul style="list-style-type: none"> Váltson olyan tablettára, amelyben van öblítőszer (ha nem biztos benne, forduljon a tableta gyártójához). Vagy használjon folyékony öblítőt az adagolóban, ha a tablettában nincs beépített öblítőszer.
	Futtassa a ciklust az Extra Dry (Extra száraz) kiválasztása nélkül. <ul style="list-style-type: none"> Válasszon egy ciklust, amely visszaállítja alapértelmezettre az Extra Dry (Extra száraz) beállítást.

Wi-Fi

Tünetek	Lehetséges ok és megoldás
<p>Az otthoni készülék és az okos-telefon nem csatlakozik a Wi-Fi hálózathoz.</p>	<p>Nem megfelelő a jelszó amellyel a Wi-Fi hálózathoz próbál csatlakozni.</p> <ul style="list-style-type: none"> • Keresse meg a Wi-Fi hálózatot, amelyhez okostelefonja kapcsolódik. Törölje, majd regisztrálja a készülékét az LG ThinQ alkalmazásban.
	<p>A mobil adatok engedélyezve vannak az okostelefonján.</p> <ul style="list-style-type: none"> • Kapcsolja ki a Mobil adatot az okostelefonján, és regisztrálja a készüléket a Wi-Fi hálózatba.
	<p>A vezeték nélküli hálózat neve (SSID) nincs megfelelően beállítva.</p> <ul style="list-style-type: none"> • A vezeték nélküli hálózat neve (SSID) ékezet nélküli betűk és számok kombinációja kell legyen. (Ne használjon speciális karaktereket)
	<p>Az útválasztó frekvenciája nem 2,4 GHz.</p> <ul style="list-style-type: none"> • Csak 2,4 GHz frekvencián üzemelő útválasztó támogatott. Állítsa be a vezeték nélküli router-t 2,4 GHz frekvenciára és csatlakoztassa a készüléket a vezeték nélküli router-hez. Az router frekvenciáját kérdezze meg internetszolgáltatójától vagy az router gyártójától.
	<p>A távolság a készülék és a router között túl nagy.</p> <ul style="list-style-type: none"> • Ha a távolság a készülék és az útválasztó között túl nagy, a jelerősség gyenge lesz és meglehetősen csatlakozás nem lesz szabályosan konfigurálva. Helyezze az útválasztót úgy, hogy közelebb legyen a készülékhez.

FÜGGELÉK

Termékadatlap

Az 2019/2017/EU felhatalmazáson alapuló bizottsági rendelet

A szállító neve vagy védjegye: LG Electronics Inc

A szállító címe^{*2}: LG Electronics European Shared Service Centre B.V., Krijgsman 1, 1186 DM Amstelveen, Hollandia

*1 az eco program esetében.

*2 az e tételeket érintő módosítások az (EU) 2017/1369 rendelet 4. cikke 4. bekezdésének alkalmazásában nem tekintendők relevánsnak.

Modellazonosító: DF425***

Általános termékparaméterek:

Paraméter	Érték	Paraméter	Érték
Névleges kapacitás ^{*1} (PS)	14	Méretek cm-ben	Magasság
			Szélesség
			Mélység
Energiahatékonysági mutató (EEI) ^{*1}	49,9	Energiahatékonysági osztály ^{*1}	D
Tisztítóteljesítmény-mutató ^{*1}	1,13	Szárítóteljesítmény-mutató ^{*1}	1,07
Energiafogyasztás kWh/[ciklus]-ban, hidegvizes töltésű eco program alapján. A tényleges energiafogyasztás függ a készülék használatának módjától.	0,849	Vízfogyasztás liter/[ciklus]-ban, az eco program alapján. A tényleges vízfogyasztás függ a készülék használatának módjától és a víz keménységétől.	9,5
A program időtartama ^{*1} (h:min)	3:13	Típus	szabadon álló
Levegőben terjedő akusztikus zajkibocsátás ^{*1} (1 pW-ra vonatkoztatott dB(A))	41	A levegőben terjedő akusztikus zajkibocsátás osztálya ^{*1}	B
Kikapcsolt üzemmód (W)	0,49	Készenléti üzemmód (W)	0,49
Programkészletetés (W) (adott esetben)	3,99	Hálózatvezérelt készenléti üzemmód (W) (adott esetben)	1,99

A szállító által vállalt jótállás minimális időtartama^{*2}: 2 év

További információk: www.lg.com

Modellazonosító: DF325***

Általános termékparaméterek:

Paraméter	Érték	Paraméter	Érték	
Névleges kapacitás* ¹ (PS)	14	Méretek cm-ben	Magasság	85
			Szélesség	60
			Mélység	60
Energiahatékonysági mutató (EEI)* ¹	55,9	Energiahatékonysági osztály* ¹	E	
Tisztítóteljesítmény-mutató* ¹	1,13	Szárítóteljesítmény-mutató* ¹	1,07	
Energiafogyasztás kWh/[ciklus]-ban, hidegvizes töltésű eco program alapján. A tényleges energiafogyasztás függ a készülék használatának módjától.	0,951	Vízfogyasztás liter/[ciklus]-ban, az eco program alapján. A tényleges vízfogyasztás függ a készülék használatának módjától és a víz keménységétől.	9,5	
A program időtartama* ¹ (h:min)	3:48	Típus	szabadon álló	
Levegőben terjedő akusztikus zajkibocsátás* ¹ (1 pW-ra vonatkoztatott dB(A))	42	A levegőben terjedő akusztikus zajkibocsátás osztálya* ¹	B	
Kikapcsolt üzemmód (W)	0,26	Készenléti üzemmód (W)	0,26	
Programkészletetés (W) (adott esetben)	3,99	Hálózatvezérelt készenléti üzemmód (W) (adott esetben)	1,99	
A szállító által vállalt jótállás minimális időtartama*²: 2 év				
További információk: www.lg.com				

Modellazonosító: DF325**

Általános termékparaméterek:

Paraméter	Érték	Paraméter	Érték	
Névleges kapacitás* ¹ (PS)	14	Méretek cm-ben	Magasság	85
			Szélesség	60
			Mélység	60
Energiahatékonysági mutató (EEI)* ¹	55,9	Energiahatékonysági osztály* ¹	E	
Tisztítóteljesítmény-mutató* ¹	1,13	Szárítóteljesítmény-mutató* ¹	1,07	
Energiafogyasztás kWh/[ciklus]-ban, hidegvizes töltésű eco program alapján. A tényleges energiafogyasztás függ a készülék használatának módjától.	0,951	Vízfogyasztás liter/[ciklus]-ban, az eco program alapján. A tényleges vízfogyasztás függ a készülék használatának módjától és a víz keménységétől.	9,5	
A program időtartama* ¹ (h:min)	3:48	Típus	szabadon álló	
Levegőben terjedő akusztikus zajkibocsátás* ¹ (1 pW-ra vonatkoztatott dB(A))	44	A levegőben terjedő akusztikus zajkibocsátás osztálya* ¹	B	
Kikapcsolt üzemmód (W)	0,26	Készenléti üzemmód (W)	0,26	
Programkészletetés (W) (adott esetben)	3,99	Hálózatvezérelt készenléti üzemmód (W) (adott esetben)	1,99	
A szállító által vállalt jótállás minimális időtartama*²: 2 év				
További információk: www.lg.com				

Az 1059/2010/EU felhatalmazáson alapuló rendelet

A szállító neve vagy védjegye	LG			
A szállító modellazonosítója	DF425***	DF325***	DF325**	
Névleges teljesítmény, standard helybeállításokkal, standard tisztítási ciklus esetén	14			Teríték
Energiahatékonysági osztály	A+++	A++	A++	
„EU-ökocímke” a 66/2010/EK rendelet szerint	Nem			
„X” kWh/év energiafogyasztás, 280 standard tisztítási ciklus alapján, hideg vízzel és alacsony energiafogyasztású üzemmódoknál. A tényleges energiafogyasztás a készüléknél használt üzemmódtól függ.	237	266	266	kWh / év
A standard tisztítási ciklus energiafogyasztása (Et)	0,83	0,944	0,944	kWh
Energiafogyasztás kikapcsolt üzemmódban	0,49	0,26	0,26	W
Energiafogyasztás bekapcsolva hagyott üzemmódban	0,49	0,26	0,26	W
„X” liter/év vízfogyasztás, 280 standard tisztítási ciklus alapján. A tényleges vízfogyasztás a készüléknél használt üzemmódtól függ.	2700			liter/év
„X” szárítási hatékonysági osztály egy skálán G (legkevésbé hatékony) és A (leghatékonyabb) között	A			
Az „Öko” a standard tisztítási ciklus, amelyre a címkén lévő információk és az adatok vonatkoznak azzal kapcsolatban, hogy ez a program normál szennyezett edények tisztítására való, és ez a leghatékonyabb program a kombinált energia- és vízfogyasztás vonatkozásában.				
A standard tisztítási ciklus program ideje	193	228	228	perc
A bekapcsolva hagyás mód időtartama (TI)	1			perc
Levegőben terjedő akusztikus zajkibocsátás	41	42	44	dB(A)
Szabadon álló				

УПАТСТВО ЗА КОРИСНИК

МАШИНА ЗА МИЕЊЕ САДОВИ



Внимателно прочитајте ги овие упатства пред да започнете со монтажа. Тоа ќе ви ја направи монтажата поедноставна и ќе ви помогне да го монтирате производот правилно и безбедно. Ставете ги овие упатства во близината на производот по монтажата за идни консултации.

МАКЕДОНСКИ

DF425*** / DF325*** / DF325**

СОДРЖИНА

Ова упатство содржи слики или содржина поинаква од моделот што сте го купиле.
Ова упатство подлежи на ревизија од производителот.

БЕЗБЕДНОСНИ УПАТСТВА

ПРЕД УПОТРЕБА ПРОЧИТАЈТЕ ГИ СИТЕ УПАТСТВА	4
ИЗЈАВИ ЗА ПРЕДУПРЕДУВАЊЕ	4
ИЗЈАВИ ЗА ПРЕТПАЗЛИВОСТ	10
СЕ ГРИЖИМЕ ЗА ЖИВОТНАТА СРЕДИНА.....	11

МОНТАЖА

Делови и спецификации	12
Подготовка на отворот на кујнскиот елемент	14
Нивелирање на апаратот	18
Монтирање на одводното црево.....	19
Подготовка за поврзување со струја и вода	20
Последна проверка на монтажата	21

РАБОТЕЊЕ

Пред употреба.....	22
Преглед на начинот на работа	26
Контролна табла.....	28
Циклуси на миење	29
Опции и дополнителни функции	31
Табела со програми	34
Информации за тест	42
Полнење на машината	43
Додавање на средства за чистење.....	49
Дополнување	51
Корисни совети	51

ПАМЕТНИ ФУНКЦИИ

Апликација LG ThinQ	53
Smart Diagnosis	55

ОДРЖУВАЊЕ

Чистење и нега	57
----------------------	----

РЕШАВАЊЕ ПРОБЛЕМИ

Пред да го повикате нашиот сервис.....61

ДОДАТОК

Налепница за производот.....68

БЕЗБЕДНОСНИ УПАТСТВА

ПРЕД УПОТРЕБА ПРОЧИТАЈТЕ ГИ СИТЕ УПАТСТВА

Следните безбедносни упатства се наменети за да спречат непредвидени ризици или штети од небезбедно или неправилно користење на производот.

Упатствата се поделени на 'ПРЕДУПРЕДУВАЊЕ' и 'ВНИМАНИЕ' како што е опишано подолу.

Безбедносни пораки



Овој симбол е прикажан за да укаже на работите и операциите што може да предизвикаат ризик.

Внимателно прочитајте го делот со овој симбол и следете ги упатствата за да избегнете ризик.



ПРЕДУПРЕДУВАЊЕ

Ова покажува дека непочитувањето на упатствата може да предизвика сериозна повреда или смрт.



ВНИМАНИЕ

Ова покажува дека непочитувањето на упатствата може да предизвика лесна повреда или мала штета на производот.

ИЗЈАВИ ЗА ПРЕДУПРЕДУВАЊЕ

! ПРЕДУПРЕДУВАЊЕ

- За да се намали ризикот од пожар, струен удар или повреди на лица при користење на производот, треба да се почитуваат основните безбедносни мерки, вклучувајќи ги следните.

Техничка безбедност

- Овој апарат не е наменет за употреба од страна на лица (вклучувајќи деца) со намалени физички, сетилни или ментални

способности, или со недоволно искуство и знаење, освен ако се под надзор или ако добиваат упатства за употребата на апаратот од лице коешто е одговорно за нивната безбедност. Децата треба да бидат под надзор за да не се дозволи да си играат со апаратот.

- Следете ги информациите дадени во спецификациите во врска со максималниот број на садови што може да се постават за миење во машината за миење садови.
- Притисокот на вода треба да е помеѓу 0,05 МРа и 0,6 МРа.

МОНТАЖА

- Никогаш не обидувајте се да го користите апаратот ако е оштетен, ако не функционира правилно, ако е делумно расклопен или ако му недостасуваат делови или пак се скршени, како и ако му е оштетен кабелот или приклучокот.
- Ако кабелот за струја е оштетен или штекерот е лабав во отворот, не користете го кабелот и стапете во контакт со овластен центар за сервис.
- Не менувајте го кабелот за напојување што доаѓа со апаратот. Доколку има проблем, посветувајте се со Центарот за информации за клиенти на LG.
- Овој апарат треба да го пренесуваат две или повеќе лица, коишто цврсто ќе го држат при пренесувањето.
- Не поставувајте го апаратот во влажна или правлива просторија. Не поставувајте го и не чувајте го надвор, или во каква било просторија подложна на надворешни услови, како што е директна сончева светлина, ветер или дожд, или температури под нулата.
- Не користете повеќекратни штекери, продолжен кабел или адаптер со овој апарат.
- Исклучете го кабелот за напојување, осигурувачите од домот или прекинувачот на колото пред да го монтирате или сервисирате апаратот.
- Ако сакате да го преместите или монтирате производот на друго место, повикајте сервис за монтирање и услуги.

- Цврсто поставете го одводното црево на своето место.
- Овој апарат не е наменет за бродови, ниту пак за употреба на подвижни локации, како во автобуси, приколки или авиони.
- Апаратот мора да биде поставен во близина на електрично напојување.
- Кога го монтирате или преместувате апаратот, внимавајте да не го притиснете, прекршите или оштетите кабелот за напојување.
- Користете нови црева или комплетот црева испорачани заедно со уредот. Повторната употреба на стари црева може да предизвика протекување на вода и подоцнежни оштетувања на имотот.
- Неправилното поврзување на спроводникот за заземјување може да доведе до ризик од струен удар. Направете проверка со квалификуван електричарски или сервисен персонал ако не сте сигурни дали машината е правилно заземјена.
- Овој апарат мора да биде заземјен. Во случај на неправилно функционирање или дефект, заземјувањето ќе го намали ризикот од струен удар со тоа што обезбедува патека на најмал отпор за електричната струја.
- Овој апарат мора да биде опремен со кабел за струја, којшто има спроводник за заземјување и приклучок за заземјување. Приклучокот мора да биде вклучен во соодветен штекер којшто е правилно монтиран и заземјен во согласност со локалните законски регулативи и уредби.
- По монтажата, проверете дали цревата протекува пред да го поместите апаратот во отворот на кујнскиот елемент.
- Не оштетувајте го и не ставајте тешки предмети врз кабелот за напојување.
- Овој апарат е наменет само за домашна употреба и не смее да се користи за комерцијални цели.
- За трајно поврзана машина: овој апарат мора да биде поврзан со заземјувачки метал, систем за трајно поврзување или да се поврзе со проводник за заземјување којшто ќе биде поврзан со терминалите за заземјување или ќе води до уредот.

- Поврзете ја жицата за заземјување со зелениот заземјувачки конектор во кутијата со терминали.

Работење

- Веднаш исклучете го приклучокот за струја и контактирајте го Центарот за информации за клиенти на LG Electronics ако забележите чуден звук, мирис или чад што доаѓа од апаратот.
- Не поправајте и не заменувајте делови од машината. Сите поправки и сервисирања мора да ги изведе квалификуван сервисен персонал освен ако не е поинаку одредено во овој прирачник за корисници. Употребувајте само авторизирани фабрички делови.
- Не оставајте ја вратата на овој апарат отворена. Децата може да се нишаат на вратата или пак да влезат во апаратот и да предизвикаат штета или да се повредат.
- Не користете запалив гас или експлозивни супстанции (бензол, бензин, разредувач, петролеј, алкохол итн.) во близина на машината.
- Не обидувајте се да ги раздвоите панелите или да го расклопувате апаратот. Не применувајте остри предмети на контролната табла за да ракувате со апаратот.
- Не превиткувајте го кабелот за струја премногу и не ставајте тешки предмети врз него.
- Не ставајте живо животно во внатрешноста на производот. Животното може да се задуши.
- Не допирајте го приклучокот за струја или контролите на апаратот со влажни раце.
- Ако има протекување на гас (изобутан, пропан, природен гас итн.), не допирајте ја ниту машината, ниту приклучокот за струја и веднаш проветрете ја просторијата.
- Во случај на поплава, исклучете го приклучокот за струја и стапете во контакт со Центарот за информации за корисници на LG Electronics.

- Во одредени услови, може да се создаде водороден гас во системите за топла вода што не се користиле две недели или повеќе. ВОДОРОДНИОТ ГАС Е ЕКСПЛОЗИВЕН. Ако системот за топла вода не бил употребуван во тој временски период, пуштете ја топлата вода и оставете да тече неколку минути пред да го користите апаратот. Ова ќе го ослободи акумулираниот водороден гас. Бидејќи гасот е запалив, не пушете и не користете пламен за тоа време.
- На површината под и околу апаратот не треба да има запаливи материјали, како што се влакненца, хартија, крпи, хемикалии итн.
- Некои детергенти за миење садови се високо алкални и можат да бидат исклучително опасни ако се проголтаат. Избегнувајте контакт со кожата и очите и чувајте ги децата подалеку кога е отворена вратата од машината за садови. Проверете дали садот за детергент е празен по завршување на циклусот на миење.
- Користете го уредот само ако сите панели не се целосно и правилно поставени.
- Употребувајте само детергенти или средства за миење кои се препорачани за таа намена и чувајте ги надвор од дофат на деца.
- Не мијте и не сушете предмети кои се натопени во експлозивни материји, како што се бензин, растворувачи, детергенти базирани на растворувачи.
- Кога ја полните машината:
 - Острите предмети наместете ги така што нема да ја оштетат вратата.
 - Наместете ги острите ножеви со рачките нагоре за да го намалите ризикот од повреда.
- Не ставајте пластични предмети, освен ако не се означени како „безбедни за машини за миење садови“ или слично. За пластичните предмети кои не се обележани, проверете ги препораките на производителот.
- Не допирајте го грејниот елемент (каде што е изложен) за време или веднаш по употребата.

- Не злоупотребувајте ја, не седнувајте, не застанувајте на вратата или полиците за миење садови.
- Исклучете ја чешмата по миењето на садовите. Повторно вклучете ја и проверете го статусот на поврзување на доводното црево пред миење.
- Не отворајте ја вратата додека работи апаратот. Водата ќе прска и може да предизвика опасност од лизгање.
- Внимавајте да не си ја фатите раката кога ја затворате вратата на апаратот.
- Не мијте и не сушете предмети кои се натопени во експлозивни материји, како што се бензин, растворувачи, детергенти базирани на растворувачи.
- Избегнувајте контакт со каков било монтиран излез за пареа.
- Малите делови, како што се клиповите за полиците и местата за задржување на филтерот, можат да бидат опасни за мали деца ако се отстранат од машината. Чувајте ги надвор од дофат на деца.
- Ножевите и другиот остар прибор мора да се стават во корпата со острите делови надолу или да се постават хоризонтално.
- Вратата не треба да се остава отворена, затоа што тоа би можело да предизвика опасност од сопнување.

Одржување

- Никогаш не исклучувајте го апаратот од струја со тегнење на кабелот за струја. Секогаш цврсто фаќајте го приклучокот за струја и потегнете го во обратна насока од штекерот.
- Безбедно вклучете го приклучокот за струја во штекерот откако комплетно сте ја отстраниле постојната влага или прав.
- Не прскајте вода во внатрешноста или на надворешноста за да го исчистите апаратот.
- Исклучете го апаратот од струја пред да започнете со негово чистење. Подесувањето на контролите на ИСКЛУЧЕНО или во мирување не го исклучува апаратот од струја.

Фрлање

- Пред да го фрлите стариот апарат, исклучете го од струја. Исечете го кабелот директно зад апаратот, за да спречите неправилна употреба.
- Отстранете ги сите материјали за пакување (како на пример, пластични кеси и стиропор) подалеку од децата. Материјалите од пакувањето може да предизвикаат задушување.
- Отстранете ја вратата пред фрлањето на машината за да спречите заглавување на деца или мали животни во него.

ИЗЈАВИ ЗА ПРЕТПАЗЛИВОСТ

ВНИМАНИЕ

- За да се намали ризикот од пожар, струен удар или повреди при користење на производот, треба да се почитуваат основните безбедносни мерки, вклучувајќи ги следните:
-

МОНТАЖА

- Монтирајте го производот на цврст и рамен под.
- За време на монтажата не ставајте го одводното црево под машината.

Работење

- Исклучете ја чешмата за вода и исклучете го апаратот ако треба да го оставите подолг временски период, како на пример за време на одмор.
- Не ставајте предмети врз апаратот.
- Немојте да ја бришете или поминувате површината на апаратот со течен детергент или белило (белило со хлор, белило со кислород итн.). Во спротивно, може да дојде до корозија или промена на бојата на површината.
- Не допирајте го одводот на машината, бидејќи можно е да е врел.

- Ако цревата за одвод и довод замрзнуваат во зима, одмрзнете ги пред употреба.
- Не ставајте раце, нозе или метални предмети под и зад апаратот.
- Не мијте ги садовите обоени со хемиски производи, како што се масло, крем или лосиони кои се користат во салони за масажа, продавници за нега на кожата, продавници за убавина или на бербер.

Одржување

- Ако се истури масло за готвење на површината на производот, веднаш избришете го. Не чистете ја површината со средства кои содржат алкохол, разредувачи, белила, бензен, запаливи течности или абразиви. Овие супстанции може да го обезбојат или оштетат апаратот.

СЕ ГРИЖИМЕ ЗА ЖИВОТНАТА СРЕДИНА

Фрлање на вашиот стар апарат



- Сите електрични и електронски производи треба да се фрлат засебно од комуналниот отпад, односно во собирни капацитети назначени од страна на владата или локалните власти.
- Правилното фрлање на вашиот стар апарат ќе помогне да се спречат потенцијални негативни последици за околината и човековото здравје.
- За подетални информации за фрлањето на вашиот стар апарат, стапете во контакт со општинската служба за отстранување отпад или со најблиската служба за собирање електронски отпад. За најнови информации за вашата земја, одете на www.lg.com/global/recycling.

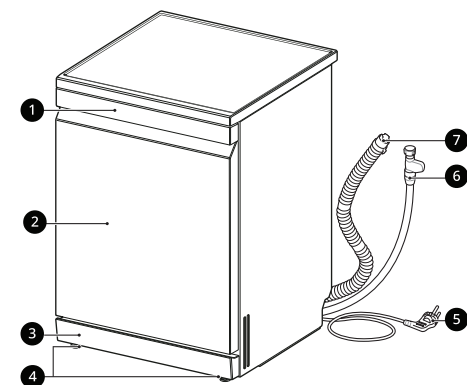
МОНТАЖА

Делови и спецификации

НАПОМЕНА

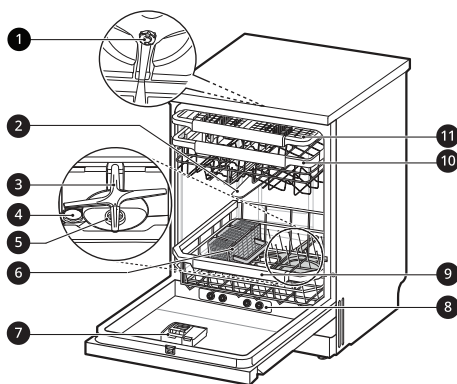
- Изгледот и спецификациите може да се променат без претходно известување со цел подобрување на квалитетот на уредот.

Предна страна



- 1 Контролна табла и рачка на вратата
- 2 Преден капак
- 3 Долен капак
- 4 Ногарки за нивелација
- 5 Кабел за напојување
- 6 Доводно црево
- 7 Одводно црево

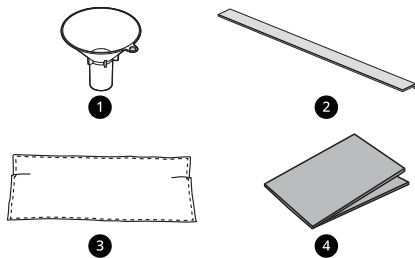
Внатрешен поглед



- 1 Горно работно коло за миење
- 2 Горна прскалка
- 3 Долна прскалка
- 4 Капаче од садот за сол
- 5 Систем за филтрирање
- 6 Кошница за прибор за јадење^{*1}
- 7 Диспензер за детергент и средство за плакнење
- 8 Млазница за пара^{*1}
- 9 Долна полица
- 10 Горна полица
- 11 Полица за прибор^{*1}

^{*1} Оваа опција е достапна само кај некои модели.

Дополнителен прибор



- ❶ Инка
- ❷ Ремен против бучава *1
- ❸ Прекривка
- ❹ Лента против влага (алуминиумска лента)

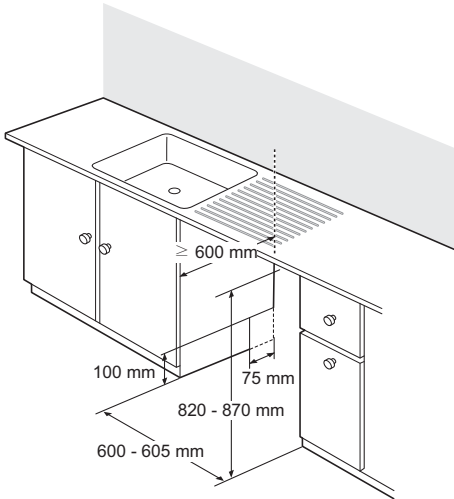
*1 Дадени се ленти против бучава: долна - 1 ЕА, предна - 1 ЕА, странична - 2 ЕА

Спецификации

Модел	DF325*** / DF325**	DF425***
Напојување	220-240 V~, 50 Hz	
Димензии (Ширина x длабочина x висина)	600 mm X 600 mm X 850 mm	
Тежина на производот	Приближно 49 kg	Приближно 52 kg
Макс. капацитет	14 поставки	
Дозволен притисок на влезна вода	0,05 - 0,6 MPa	
Потрошувачка на енергија	1600 - 1800 W	

Подготовка на отворот на кујнскиот елемент

Бирање на соодветна локација

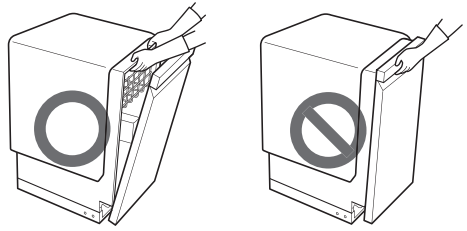


- Апаратот треба да се монтира на рамен и стабилен под.
- Исечете отвори за цревата и електричните кабли на двете страни. (Околу 100 mm X 75 mm)
- Изберете локација колку што е можно поблиску до мијалникот за олеснување на поврзувањето со цевките за вода и одвод.
- За да се обезбеди одвод, апаратот не треба да се монтира подалеку од 1 метар од мијалникот.
- Ако апаратот е поставен во агол, овозможете простор од минимум 50 mm помеѓу апаратот и соседниот кујнски елемент или ѕидот.
- Пред да го вметнете апаратот во отворот за монтажа, треба да се направат сите потребни приспособувања на висината со употреба на затегач.

- Внимателно вметнете ја машината во кујнскиот елемент. Проверете дали цревата за одвод на цевката зад машината и внатрешноста на кабинетот е превиткано или истегнато.
- Монтирајте го апаратот на рамна и стабилна површина. Не поставувајте предмети помеѓу подот и основата или ногалките од апаратот.

НАПОМЕНА

- Оваа монтажа мора да ја спроведе квалификуван сервисен персонал за да бидете сигурни дека сè е правилно монтирано.
- Не повлекувајте го или подигнувајте апаратот со помош на рачката, тоа може да ја оштети вратата и шарките. Отворете ја вратата и зафатете ја рамката од куќиштето и горниот преден отвор на кадата за да го поместите или подигнете апаратот.



- Не допирајте ја вратата на машината со колена.



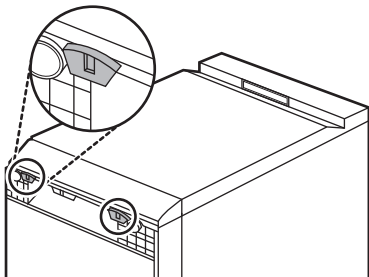
▲ ВНИМАНИЕ

- Сите дрвени материјали околу апаратот треба да се поминат со водоотпорна боја или силикон за да се спречи набаврување.

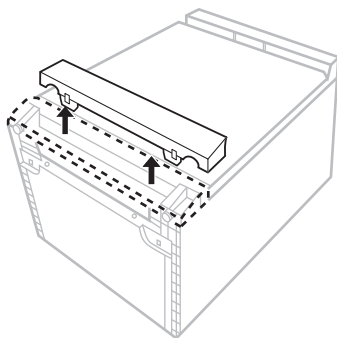
Прицврстување на лентата кон апаратот

За да ја намалите бучавата, прицврстете ја лентата кон апаратот.

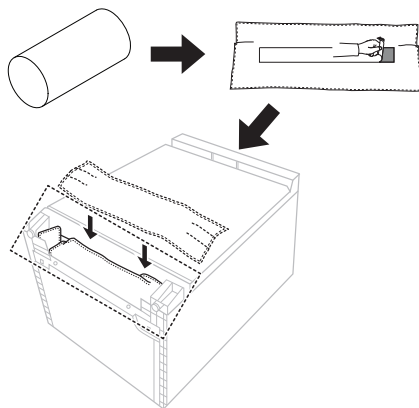
- 1 Легнете го апаратот и повлечете ги двете куки од долниот капак.



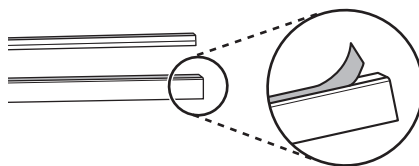
- 2 Повлечете го долниот капак за да го отстраните.



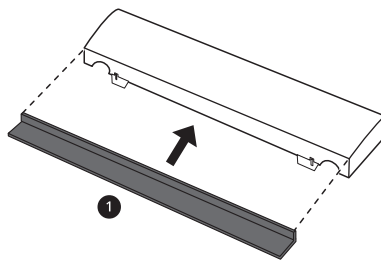
- 3 Отстранете ја двостраната лента од задниот дел на филцот и прицврстете ја на предната страна на дното од апаратот.



- 4 Отстранете ја двостраната лента од долните и предните ленти.

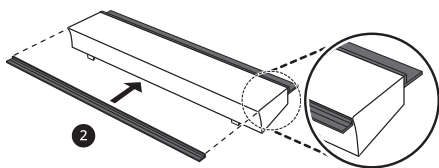


- 5 Прицврстете ја долната црна лента ① одоздола на долниот капак.

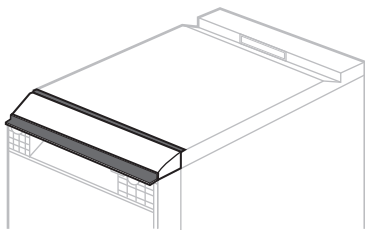


- 6 Прицврстете ја предната црна лента ② одозгора на долниот капак.
 - Должината на предната лента е подолга од долниот капак. Прицврстете ја така

што пресекот ќе биде еднаков на двете страни на долниот капак.



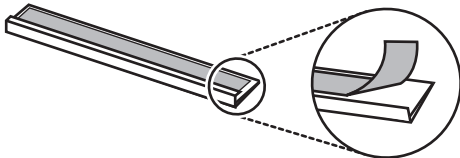
7 Прицврстете го долниот капак со лента на апаратот.



Поставување на лентата на кујнскиот елемент странично на апаратот

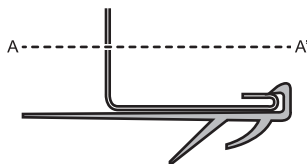
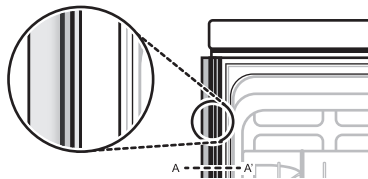
За да ја намалите бучавата, прицврстете ја лентата странично на апаратот, доколку дозволува просторот.

1 Отстранете ја двостраната лента од страничните ленти.



2 Прицврстете ја страничната лента на предната страна од кујнскиот елемент и

притиснете ја страничната лента добро за да се прилрпи на кујнскиот елемент.

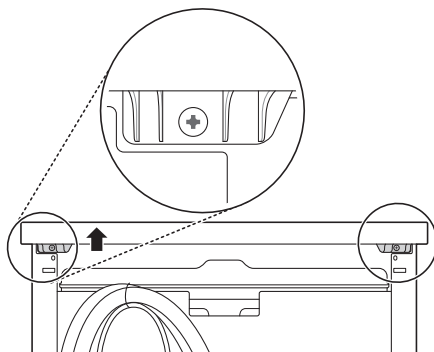


3 Повторете го истото со спротивната странична лента на другата страна од кујнскиот елемент.

Отстранување на горниот капак

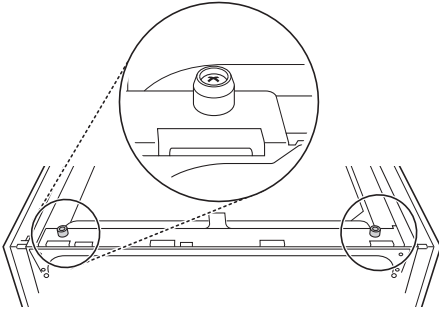
Доколку висината на отворот е под 850 mm, следете ги следниве упатства.

1 Извадете ги двете штрафчиња од позади.

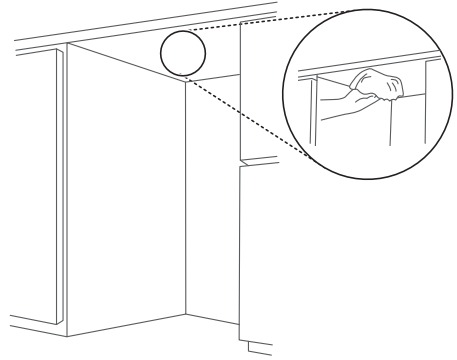


2 Откако ќе ги отстраните, повлечете го капакот и подигнете го за да го извадите.

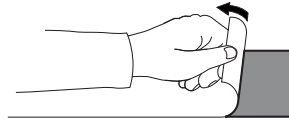
- 3** Отстранете ги игличките за лоцирање на врвот со помош на Phillips навртувач.



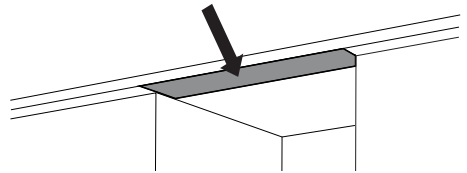
- 1** Исчистете ја и исушете ја долната страна на работната површина каде што ќе се прикачи лентата.



- 2** Отстранете ја заштитната фолија од лентата.



- 3** Ставете ја лентата на долната страна од работната површина.



НАПОМЕНА

- За апаратот да биде правилно нивелиран, не треба да има косина и не треба да се слуша звук на завлекување или триење кога ќе се отвори вратата.

Монтажа на лента против влага

Кога апаратот е монтиран без горниот капак, работната површина може да се оштети од пареа или кондензација кога ќе се отвори вратата.

- Ставете ја лентата против влага на долната страна од работната површина за да ја заштитите од кондензацијата која настанува при отворањето на апаратот.

НАПОМЕНА

- Лентата против влага е вклучена во ќесичката со упатството.
- Доколку работната површина е изработена од гранит или водоотпорни материјали, лентата против влага не е потребна.
- Може да се појави кондензација на долната страна или по должината на предниот раб на работната површина ако е ниска температурата во собата.

Нивелирање на апаратот

Проверка на нивото

Со нивелирање на апаратот, спречувате непотребно протекување и слаби резултати од миеење. Проверете дали апаратот е совршено нивелиран по монтажата.

- Ако апаратот се мрда кога горната плоча ја туркате дијагонално, повторно приспособете ги ногарките.

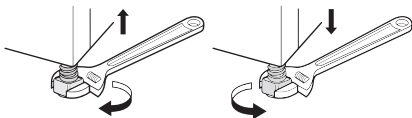
НАПОМЕНА

- Апаратот не е нивелиран ако слушнете звук на завлекување или триење кога ја затворате вратата.

Приспособување и нивелирање на апаратот

Кога апаратот не е совршено нивелиран, вртете ги приспособливите ногарки додека не забележите дека апаратот веќе не се мрда.

- Свртете ги приспособливите ногарки во насоката на часовникот за кревање, или пак свртете ги обратно за спуштање од напред кон назад, од страна до страна и од агол до агол.



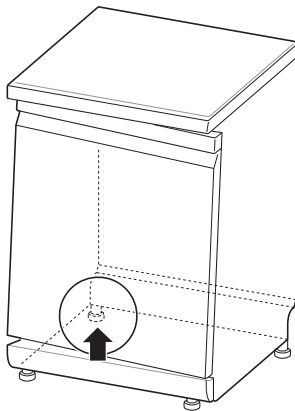
НАПОМЕНА

- Поставете го апаратот на цврст и нивелиран под.
- Не монтирајте го апаратот на издигната површина.

Случај 1. Вратата е искосена кон десно

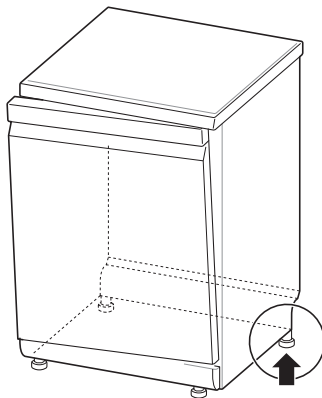
- 1 Одвртете ја (спротивна од стрелките на часовникот) задната лева ногалка и поправете го нивото.

- 2 Проверете го дали вратата се отвора правилно и повторете ако е потребно додека сè додека правилно не се отвори и затвори.



Случај 2. Вратата е искосена кон лево

- 1 Одвртете ја (спротивна од стрелките на часовникот) задната десна ногалка и поправете го нивото.
- 2 Проверете го дали вратата се отвора правилно и повторете ако е потребно додека сè додека правилно не се отвори и затвори.



Монтирање на одводното црево

Ако крајот на одводното црево не се вклопува во линијата за одвод, употребете дополнителен комплет (незадолжително) кој е отпорен на топлина и детергент.

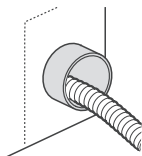
- Комплетот можете да го најдете во продавница за водовод или алати.

Поврзување со приклучокот за отпад

Проверете го приклучокот за отпад веднаш при монтирањето. Грешка во \square може да се појави кога цевката за отпад под мијалникот не е правилно издупчена. За да го поврзете одводното црево, продупчете дупка со дијаметар од 15 mm во цевката за отпад пред да поврзете и прикачите.

▲ ВНИМАНИЕ

- Внимавајте во приклучокот да не остане пластичен отпад од дупчењето.
- Не отворајте ја дупката за отпад со навртка и чекан. Може да се заглави отпадот и да настане дефект.
- Треба да внимавате при пренесување на цревата преку дупките во кабинетот, затоа што острите рабови можат да ги оштетат цревата. Измазнете ги или исшмирглајте ги рабови за да не дојде до оштетување на одводното или влезното црево.



- Проверете дали црево е заплеткано или нагло свиткано.

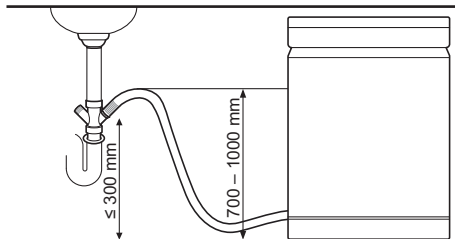


- Проверете дали одводното црево е исправено пред да го вметнете низ отворот за довод на вода.

За да се спречи сифонирање, мора да се употреби еден од следниве методи.

Метод 1

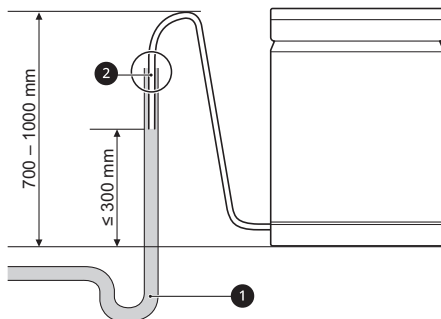
Кога одводното црево е поврзано со приклучокот за отпад, црево мора да се постави во полукружна положба и да се фиксира на долната страна од кујнската плоча.



Метод 2

Кога одводното црево е поврзано со вертикална одводна цевка ①, важно е да се воспостави херметичко поврзување ②. Во спротивно, може да се создадат непријатни мириси.

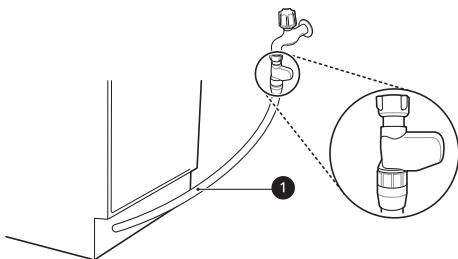
- Дијаметарот на вертикалната одводна цевка е барем 40 mm.



Подготовка за поврзување со струја и вода

Поврзување на цревето со славина за вода

Поврзете го доводното црево за вода ❶ со славина за вода.



- Овој апарат може да се напојува со топла или ладна вода. Ако приклучокот за вода не може да се одржува под 65 °C, апаратот мора да се поврзе со ладна вода.
- За да се избегне протекување, користете трака за заптивање или силикон на навојот на доводот.
- Проверете дали цревето е заплеткано или нагло свиткано.

НАПОМЕНА

- Пред поврзување на доводното црево со славината за вода, пуштете ја славината за водата за да ги измие сите надворешни супстанции (нечистотија, песок или прашина) во водоводната инсталација. Водата нека истече во кофа.
- Потребни се околу 3 - 4 минути до првото напојување со вода.

⚠ ПРЕДУПРЕДУВАЊЕ

- Не скратувајте го или оштетувајте доводното црево, затоа што содржи електрични жици и компоненти. Не може да се одвои или отстрани од апаратот за целите на монтирање.
- Важно е доводното црево да не се заменува, сече, расклопува, да се растегнува или да се заплетка. Содржи електрични жици и ако се оштети може да предизвика електрична опасност.

Спроведување на електричните жици

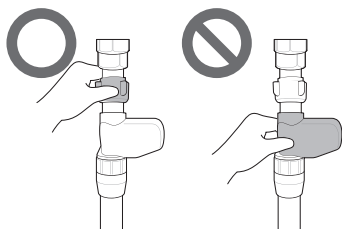
Поврзете го апаратот со заземјен штекер во согласност со важечките регулативи за поврзување кабли, заштитен со прекинувач со минимум 15 засилувачи или со осигурувач со временско задоцнување.

Поврзувањето мора да биде со две заземјени жици.

Кабелот за напојување не треба да биде поставен зад апаратот, туку во растојание до 1,2 метри од страна, така што приклучокот е ќе биде лесно достапен.

⚠ ВНИМАНИЕ

- Користете ја само навртката од доводното црево за да го затегнете на славината.
- Внимавајте при поврзувањето со славината да не го затегнете и да не го прекршите доводното црево.



⚠ ПРЕДУПРЕДУВАЊЕ

- За лична безбедност, извадете ги осигурачите за домаќинство или отворете го прекинувачот за струја или исклучете го приклучокот за напојување пред да почнете со поврзување.
- Не користете продолжен кабел или двоен адаптер.
- Приклучокот мора да биде вклучен во соодветен штекер којшто е правилно

монтиран и заземјен, во согласност со домашната законска регулатива и уредби.

- Поправките на машината мора да ги изведува само квалификуван персонал. Поправките изведени од неискусни лица може да предизвикаат повреда или сериозен дефект. Стапете во контакт со локален сервисен центар.
- Поврзете со правилно, заштитено и соодветно струјно коло за да избегнете електрично преоптоварување.

Последна проверка на монтажата

Тестирање на машината за садови

- 1 Вклучете ја струјата.
- 2 Вклучете ја водата.
- 3 Доколку е уредот правилно нивелиран, вратата треба да се отвори и затвори глатко и без груби звуци.
- 4 Стартувајте го апаратот со циклусот **Rinse (Плакнење)** за да потврдите дека правилно функционира и проверете дали има протекување.

Кодови за грешка за проверка на монтажата

Код за грешка	Можен проблем и решение
E	<p>Одводното црево е превиткано или притиснато.</p> <ul style="list-style-type: none"> • Спојте го одводот и доводното црево низ дупката под мијалникот. Потоа, постепено лизнете ја машината во кабинетот додека лабаво ги повлечувате цревата под мијалникот. Ова помага цревата да не се заплеткаат или да не се заглават под машината.
	<p>Затнат е приклучокот за отпад под мијалникот.</p> <ul style="list-style-type: none"> • Продупчете го приклучокот за отпад.
! E	<p>Заплеткана е водоводната инсталација под мијалникот.</p> <ul style="list-style-type: none"> • Спојте го одводот и доводното црево низ дупката под мијалникот. Потоа, постепено лизнете ја машината во кабинетот додека лабаво ги повлечувате цревата под мијалникот. Ова помага цревата да не се заплеткаат или да не се заглават под машината.
	<p>Не е вклучена водата.</p> <ul style="list-style-type: none"> • Вклучете ја водата. Притисокот на водата може да биде превисок или пренизок.

РАБОТЕЊЕ

Пред употреба

Овој модел има омекнувач на вода со цел да ја омекне тврдата вода.

- 3 Проверете ја бојата на тврдоста на водата од лентата. Видете го упатството на амбалажата.

НАПОМЕНА

- Доколку не е потребно, апаратот може да се користи и без сол, но нивоата на тврдоста треба да се подесат на Н0 за да не остане да свети исконата.
- За да се постигнат добри резултати на плакнење, на апаратот му е потребна мека вода, односно, со малку или без бигор, во спротивно ќе останат дамки на садовите и внатрешноста на апаратот.
- Ако водата од чешма надминува одредено ниво на тврдост, таа мора да омекне, односно да се декалцифицира. Ова се постигнува со додавање сол во омекнувачот за машината. Потребната количина на сол се одредува според тоа колку е тврда водата од чешма.

Проверка на нивото на тврдост на водата

Метод 1

- 1 Проверете ја тврдоста на водата онаму каде што живеете. Локалното комунално претпријатие може да ви помогне во тоа.
- 2 Поставете го нивото за омекнување според нивото на тврдост на водата.

Метод 2

Можете да ја проверите тврдоста на водата со употреба на тест лента којашто е вклучена во производот.

- 1 Држете ги потопени ги сите реактивни зони на тест лентата околу една секунда. Не користете проточна вода.
- 2 Истресете ја вишокот течност од лентата и почекајте 1 минута.

Табела на тврдост на водата

Тврдост на водата							Ниво на омекнување	Сооднос*1
ppm	°d	°e	°f	mmol/l (Ca+Mg)	mg/l (Ca)	Опсег		
0	<4	<5	<7	<0,7	<29	Мeko	H0	-
75	4 - 7	5 - 9	7 - 13	0,7 - 1,3	29 - 50		H1	01:24
125	7 - 14	9 - 17,5	13 - 25	1,3 - 2,5	50 - 100		H2	1:7
250	14 - 21	17,5 - 26	25 - 38	2,5 - 3,8	100 - 150		H3	1:4
375	>21	>26	>38	>3,8	>150	Тврдо	H4	2:1

*1 Бројот на регенерација (регенерации) на солта*2: бројот на циклус (циклуси) на миене*3

*2 Регенерацијата на солта се случува на крајот од главното миене согласно програмата **Eco**.

*3 Циклусот на миене се состои од 4 операции (претмиене, главно миене, плакнење, плакнење со топла вода) согласно програмата **Eco**.

Поставување на системот за омекнување на водата

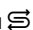
За ефективни резултати од миенето, прилагодете ги поставките согласно нивото на тврдост на водата за снабдувањето со вода. Омекнувачот на водата има 5 нивоа на подесување, а апаратот е фабрички програмиран за ниво на тврдост H2 на водата. Можете да ја проверите стандардната вредност и да ја прилагодите во следните чекори:

- 1 Истовремено притиснете ги копчињата **Напојување** и **Half Load (Половина полнење)**.
 - Тековната вредност за поставување е означена.
- 2 Притиснете го копчето **Delay Start (Одложен старт)** и поставете ја потребната вредност.
 - Опсегот на поставување на вредност е од H0 до H4.

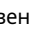
3 Притиснете на копчето **Start (Старт)** за да ја зачувате поставката.

- Напојувањето се исклучува по зачувувањето.

НАПОМЕНА

- Ќе се вклучи иконата за **дополнување сол**  на екранот доколку нема сол во системот за омекнување.
- Ако поставката за тврдост се поставена на H0, нема да свети икона затоа што нема сол.

Полнење со сол

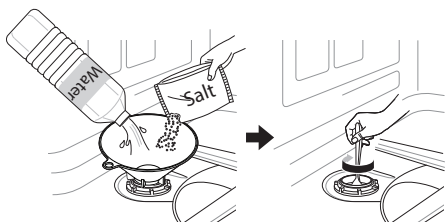
Диспензерот за сол мора да се наполни со сол пред да започне програмата за миене. Во случај на недостаток на сол, на екранот ќе засвети иконата за **дополнување сол** , освен ако нивото на тврдост е поставено на H0.

⚠ ВНИМАНИЕ

- Откако сте ја наполниле машината за миење садови со сол, мора веднаш да го вклучите циклусот за плакнење за да се отстрани солта и солената вода од внатрешноста на кадата на машината за миење садови за да не се создаде корозија.

1 Отстранете ја долната полица и капачето на диспензерот за сол кој се наоѓа на левата страна на филтрите.

2 Пред да го употребите апаратот за прв пат, потребно е да се исури 1 kg сол и 1 литар вода во исто време во машината за миење садови ако имате намера да го користите системот за омекнување на водата. При полнење со сол, користете инка. Видете го делот **Пред употреба**.



3 Цврсто затворете го капачето.

4 Пуштете го циклусот **Rinse (Плакнење)** без садови.

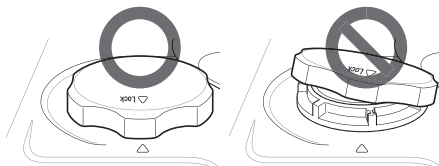
Дополнување на сол (1 kg на секое дотурање)

	H1	H2	H3	H4
Циклуси	130	50	20	10

- Во табелата се дадени информации за програмата **Auto (Автоматски)**.
- Циклусот може да варира од количината на дополнувањето на сол.

⚠ ВНИМАНИЕ

- Не ставајте детергенти во диспензерот за сол. Ќе настане дефект.
- Избришете ја истурената сол околу капачето на диспензерот за сол. Солениот раствор што навлегува може да предизвика корозија на кадата и внатрешноста на машината за миење садови.
- Затворете го капачето правилно со тоа што ќе го поставите хоризонтално и ќе го свртите надесно. Доколку капачето не е затворено до крај, солениот раствор ќе истече од диспензерот на сол во кадата и ќе предизвика корозија.
- По полнењето на машината со сол, програмата за миење треба да се пушти без садови, бидејќи истурената сол внатре во апаратот може да предизвика 'рѓа или оштетување на апаратот ако не се измие.



НАПОМЕНА

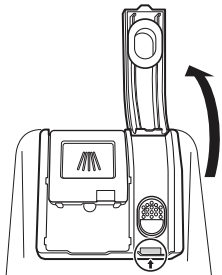
- Солта може да се купи од дистрибутери.

Додавање на средство за плакнење

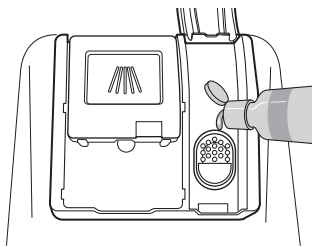
Кога е потребно да се додаде средство за плакнење, засветува индикаторот за **средство за плакнење** на екранот.

Се препорачува употреба на средство за плакнење за да се спречи појава на дамки од вода на садовите и за да се подобрат резултатите при сушењето.

- 1** Отворете го капакот за средството за плакнење со кревање на вратичката.



- 2** Додајте средство за плакнење до максималното ниво на полнење. Оставете средството за плакнење да се сталожи откако ќе го наполните диспензерот, во спротивно меурчињата воздух може да предизвикаат слаби резултати од сушењето.



- 3** Затворете го капакот за да го заклучите диспензерот. Средството за плакнење автоматски се повлекува за време на крајниот циклус на плакнење.

⚠ ВНИМАНИЕ

- За да спречите пенење, избришете го вишокот средство.

НАПОМЕНА

- Користете само течно средство за плакнење.
- Не преполнувајте го диспензерот за средството плакнење.
- Премногу или премалку средство за плакнење може да влијае врз резултатите на сушењето.
- Ако средството за плакнење истече од диспензерот, избришете го. Во спротивно,

може да се создаде пена и да останат дамки во машината за миеење садови.

Поставување на нивото на средство за плакнење

Диспензерот има пет нивоа на прилагодување. Стандардната програма е за средство за плакнење од ниво 2. Ова може да се провери и да се измени со помош на копчињата на контролната табла.

- 1** Осигурете се дека уредот е исклучен.
- 2** Истовремено притиснете на копчињата **Напојување** и **Dual Zone (Двојна зона)** за да го проверите моменталното поставување.
- 3** За да го смените поставувањето притиснете **Delay Start (Одложен старт)**. Секое притискање на копчето го менува поставувањето од L0 (исклучено) до L4.
- 4** Откако ќе го изберете поакуваното ниво, притиснете **Start (Старт)** за да зачувате.
 - Напојувањето се исклучува по зачувувањето.

⚠ ВНИМАНИЕ

- Доколку капакот не е добро затворен, голема количина на средство ќе се ослободи и ќе предизвика проблеми во миеењето.

НАПОМЕНА



- Кога ќе биде потребно дополнително средство, ќе се појави иконата за **дополнување средство за плакнење** ✨.
- Ако забележите замаглени делови или дамки од вода на стаклените садови по миеењето, зголемете го нивото на средство.
- Доколку нивото е превисоко, ќе се создаде пена поради што резултатите од миеењето ќе бидат несоодветни.

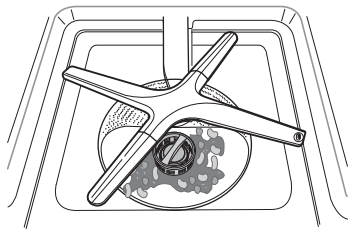
НАПОМЕНА

- Ако стаклото е размачкано или има пена на дното од машината, намалете го нивото на средство.
- Доколку нивото за средството за плакнење е прениско, ќе се појават точки и линии на садовите и резултатите од сушењето ќе бидат лоши.

Преглед на начинот на работа

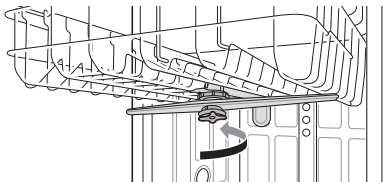
Користење на уредот

- 1** Притиснете на копчето **Напојување**.
 - Апаратот ќе се вклучи. Проверете ги индикаторите.
- 2** Проверете дали има средство за плакнење и сол.
 - Дополнете средство за плакнење или сол доколку засветка некоја од иконите. За повеќе информации, видете го делот **Дополнување**.
 -  : Дополнување сол
 -  : Икона за дополнување средство за плакнење
- 3** Отворете ја вратата и проверете ги филтрите.
 - Секогаш чистете го филтерот, без разлика дали пред или по миењето, за резултатите од миењето да се поуспешни.



4 Видете дали прскалките можат непречено да се ротираат.

- Проверете дали горната и долната прскалка ротираат правилно. Извадете ја прскалката и исчистете ја доколку не се ротира.



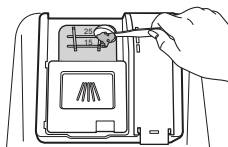
5 Садовите ставете ги на полицата за садови.

- Проверете дали садовите или приборот се поставени на начин на кој не им го попречува патот на прскалките.
- Не редете ги садовите еден врз друг.



6 Додајте ја точната количина на прашок во диспензерот.

- Ако користите таблети, едноставно сместете ги во машината или во долниот дел од внатрешноста на вратата.



7 Поставете ја и започнете ја програмата.

- Програмата автоматски ќе започне по 4 секунди откако ќе ја изберете.

⚠ ПРЕДУПРЕДУВАЊЕ

- Не полнете ја горната полица додека долната е извлечена надвор и наполнета со садови.

Во спротивно, можете да се повредите затоа што апаратот може да се преврти.

- Турнете ја горната полица до крај.
 - Испразнете ја прво долната полица, а потоа горната. На тој начин водата нема да капе од горната полица врз садовите кои се долу.
 - Не отворајте ја вратата додека работи машината или веднаш по завршувањето на програмата, затоа што можете да се изгорите од пареата што излегува.
-

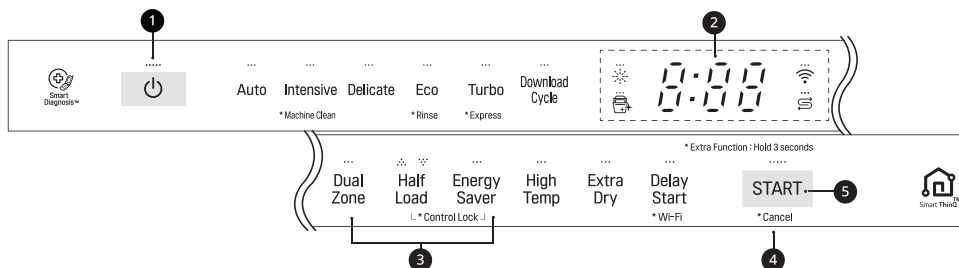
НАПОМЕНА

- Никогаш не ставајте детергент за садови во апаратот.
 - Не се препорачува плакнење на садовите рачно пред работата на машината за миење садови бидејќи така се зголемува потрошувачката на вода и електрична енергија.
 - Миењето на прибор за јадење во машина за миење садови за домаќинство обично троши помалку енергија и вода отколку при рачното миење кога машината за миење садови во домаќинството се користи согласно упатствата на производителот.
-

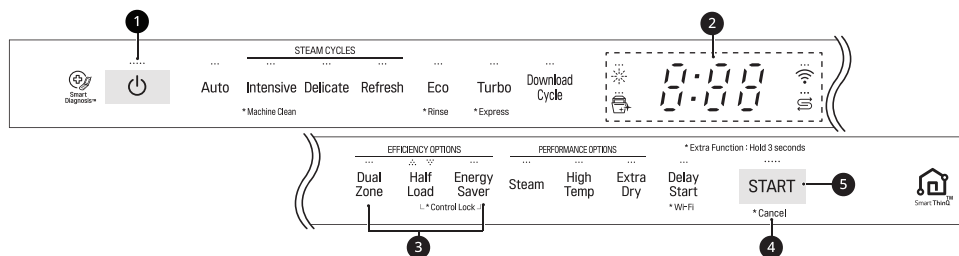
Контролна табла

Опции на контролната табла

За модели без пареа



За модели со пареа







1 Напојување

- Притиснете го копчето **Напојување** за да го вклучите или исклучите.
- По завршувањето на циклусот, струјата автоматски се исклучува заради безбедност и економичност.
- Доколку се појави превисок напон на струја, прекин во снабдувањето со струја или слаб напон, напојувањето автоматски се исклучува заради безбедност.
- Кога напојувањето повторно ќе биде нормално, машината автоматски се вклучува и го продолжува циклусот.

2 Екран

• 8:88 : Дигитален екран

- Дигиталниот екран на контролната табла го прикажува проценетото време на циклусот. Кога се избрани циклусот и опциите, екранот го прикажува вкупното проценето време потребно за да заврши. Додека апаратот работи, екранот го прикажува преостанатото проценето време.
- Во прикажаното време не е вклучено времето потребно за загревање на водата итн.
- Ако сте избрале **Delay Start (Одложен старт)**, екранот го прикажува одложеното време во часови.
- Циклусот **Auto (Автоматски)**, може да варира во зависност од нивото на нечистотија на саводите.

-  : **Икона за средство за плакнење**
 - Оваа икона светка кога нивото на средството за плакнење е многу ниско. Автоматски ќе се изгасне кога ќе дополните или кога ќе го подесите нивото на 0.
-  : **Икона за чистење на машината**
 - Оваа икона засветува на секои 30 циклуси.
 - За да ја активирате или деактивирате, држете го копчето **Delicate (Деликатни)** притиснато 3 секунди.
-  : **Wi-Fi**
 - Оваа икона се појавува кога апаратот е приклучен на интернет преку домашна Wi-Fi мрежа.
-  : **Икона за дополнување сол**
 - Оваа икона светка кога нивото на сол е многу ниско. Автоматски ќе се изгасне кога ќе дополните.

3 Вклучување/исклучување звуци

- За да го активирате или деактивирате звукот на копчињата, истовремено притиснете ги копчињата **Dual Zone (Двојна зона)** и **Energy Saver (Штедење енергија)** и држете ги 3 секунди. Звукот за известување за грешка не се исклучува.

4 Cancel (Откажи)

- Се активира филтерот на одводната пумпа и циклусот се откажува. Откако ќе се исцеди апаратот, сам се исклучува.
- Притиснете го и држете го копчето **Start (Старт)** во траење од 3 секунди за да ја активирате функцијата за откажување.

5 Start (Старт)

- Затворете ја вратата и притиснете го копчето **Start (Старт)** за да почне апаратот да работи.
- Доколку не го притиснете копчето **Start (Старт)** во рок од 4 минути, апаратот автоматски ќе се исклучи.

Циклуси на миење

Auto (Автоматски)

Овој циклус го препознава нивото на нечистотија на садовите и чистотата на водата и го оптимизира миењето за да постигне најдобар резултат. Времето на миење варира во зависност од нивото на нечистотија на садовите.

Intensive (Интензивно)

Овој циклус е наменет за многу валкани и закоравени садови. Стандардно е наместен на

најсилниот интензитет на прскање и со тоа ги мие многу нечистите садови.

Delicate (Деликатни)

Употребете го овој циклус за деликатни садови, како фин порцелан и садови со високо постолје.

Refresh (Освежи)

Овој циклус ги освежува и затоплува садовите кои одамна не биле користени.

- Не употребувајте детергент со овој циклус.

Есо

Обезбедува најефикасна потрошувачка на енергија и вода за добри резултати на миење и сушење на нормално валкани садови и троши многу мала количина на електрична енергија.

Turbo (Турбо)

Овој циклус мије умерено валкани садови со употреба на малку повеќе енергија и вода.

- **Extra Dry (Екстра суво)** е подесено како стандардно. Ако не сакате да ги сушите садовите по миењето, исклучете ја опцијата **Extra Dry (Екстра суво)**. Времето на циклусот ќе се намали со избегнувањето на сушење.

Download Cycle (Преземање на циклус)

Употребете специјален циклус што може да се преземе преку Wi-Fi или NFC (во зависност од моделот).

НАПОМЕНА

- На апаратот се појавува само кодот на циклусот што се презема моментално. Кодовите, имињата и информациите за достапните циклуси ќе ги најдете во апликацијата на вашиот паметен телефон.
 - Стандарден циклус: P1. Тенџериња и тавчиња
-

Machine Clean (Чистење на машината)

Овој циклус е за чистење на внатрешноста од апаратот. Употребете го кога нема садови во машината. Ја елиминира насобраната нечистотија, миризбата, белите точки, бигорот и другите нечистотии. За подобри резултати, додајте лимонска киселина или друго средство за чистење.

- Притиснете го и држете го копчето **Intensive (Интензивно)** 3 секунди за да ја активирате функцијата.

Rinse (Плакнење)

Овој циклус е наменет за кратко плакнење на садови кои нема веднаш да ги миете. Ги плакне садовите кои се многу нечисти за да се искиснат. Плакнењето на садовите помага во спречувањето на појавата на миризби во апаратот.

- Притиснете го и држете го копчето **Eco** 3 секунди за да ја активирате функцијата.

НАПОМЕНА

- Во овој случај, не употребувајте детергент.
 - Циклусот нема сушење.
-

Express (Експресно)

Овој циклус брзо ќе измије малку валкани садови.

- Притиснете го и држете го копчето **Turbo (Турбо)** 3 секунди за да ја активирате функцијата.

НАПОМЕНА

- Циклусот нема сушење. За подобро сушење изберете **Extra Dry (Екстра суво)** или некој друг циклус. **Extra Dry (Екстра суво)** ќе биде додадено во целокупното време на циклусот.
 - Детергент во вид на таблети не се препорачува кога се употребува циклусот **Express (Експресно)**. Доколку се употребат таблети, може да останат остатоци врз садовите поради релативно ниската температура на плакнење.
-

Опции и дополнителни функции

Притиснете го копчето за посакуваниот циклус и изберете ги опциите за тој циклус. За повеќе информации, видете го делот **Водич за циклуси/опции**.

Dual Zone (Двојна зона)

Со оваа опција, интензитетот на прскање автоматски се подесува на слабо на горната прскалка и силно на долната. За најдобри резултати, ставете многу валкани садови како длабоки и плитки чинии на долната полица, а на горната ставете лесно валкани садови како чаши и мали чинии.

Half Load (Половина полнење)

Со оваа опција, миењето е интензивно со одбирање на горната или долната полица. За малку садови, употребете ја само горната или долната полица за да заштедите енергија и време. Со притискање на копчето **Half Load (Половина полнење)**, достапни се поставките **⋯** (горна), **⋯** (долна) и откажувањето на оваа опција.

Energy Saver (Штедење енергија)

Со оваа опција се штеди енергија преку намалување на температуриите за миењето и плакнењето. Времето за миење се зголемува за да се добијат истите резултати. Не користете го овој циклус за многу валкани садови.

Steam (Пареа)

Со оваа опција додавате параа за време на циклусот со цел подобри резултати од миењето.

High Temp (Висока температура)

Ја зголемува температурата на миењето или плакнењето за почисти садови.

- Ќе слушнете аларм ако температурата во уредот е висока. Почекајте целосно да се излади пред да ја отворите вратата.

Extra Dry (Екстра суво)

Изберете ја оваа опција за подобри резултати од сушење. Со оваа опција се додава дополнително време за сушење и се зголемува температурата на плакнење.

- Оваа опција се избира автоматски кога ќе се испразни средството за плакнење.

Delay Start (Одложен старт)

Оваа функција го одложува започнувањето на циклусот. Секогаш кога ќе го притиснете копчето **Delay Start (Одложен старт)**, времето на одложување се зголемува за еден час. Одложувањето може да се постави од 1 до 12 часа.

- За да ја откажете функцијата, исклучете ја машината.
- За да го смените циклусот и опциите, отворете ја вратата и изберете друг циклус и опции. Одбројувањето ќе продолжи.

Control Lock (Заклучување контроли)

Оваа функција забранува да се менуваат подесувањата за време на циклус. Ако ја изберете оваа функција, ќе се заклучат сите копчиња на контролната табла, освен **Напојување**. Функцијата не ја заклучува вратата.

- Ако имате модел со надворешен екран, додека трае циклусот, истовремено притиснете ги копчињата **Half Load (Половина полнење)** и **Energy Saver (Штедење енергија)** и држете 3 секунди за да

ја активирате или деактивирате функцијата. На модели со внатрешен екран, отворете ја вратата за време на циклусот и направете го истото.

- Кога е активирана оваа функција, на екранот ќе се појави кодот **CL**.
- Деактивирајте ја функцијата ако сакате да започнете нов циклус.
- Функцијата може да се подеси во секое време со вклучувањето на апаратот.

Wi-Fi

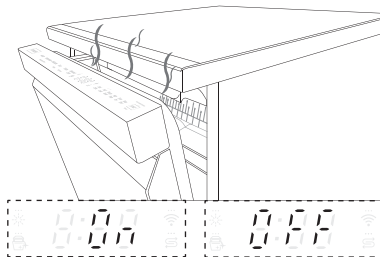
За да се поврзете на интернет, притиснете **Delay Start (Одложен старт)** и држете 3 секунди. За повеќе информации околу функцијата, видете го делот **ПАМЕТНИ ФУНКЦИИ**.

Сушење со автоматско отворање

Оваа опција варира во зависност од моделот. Вратата ќе се отвори автоматски кога ќе заврши програмата што вклучува сушење со цел подобри резултати на сушење.

- За да ја активирате оваа функција, истовремено притиснете ги копчињата **Energy Saver (Штедење енергија)** и **High Temp (Висока температура)** и држете ги 3 секунди.
- Функцијата не е достапна со циклусите **Machine Clean (Чистење на машината)** и **Rinse (Плакнење)**.
- Кога избирате **Download Cycle (Преземање на циклус)**, функцијата може да работи дури и ако е деактивирана. Тоа е поради тоа што **Download Cycle (Преземање на циклус)** е дизајниран да постигнува најдобри резултати за специфична намена без разлика на поставките на апаратот.

- На екранот ќе се прикаже дали функцијата е вклучена или исклучена.



⚠ ПРЕДУПРЕДУВАЊЕ

- Додека а вклучен, уредот треба да биде подалеку од дофат на деца. Изложувањето на параа со висока температура може да предизвика изгореници.

Signalight™

Оваа опција варира во зависност од моделот. Signalight™ го покажува статусот на апаратот, без разлика дали постои проблем или работи нормално, или пак е подготвен за миење садови.

- Во зависност од моделот, светлото може да биде лоцирано напред на апаратот или на врвот од вратата.

Црвено (лево)

Црвеното светло засветува кога апаратот ќе најде на грешка. За повеќе информации околу грешките, видете го делот **Код за грешка** во делот **РЕШАВАЊЕ ПРОБЛЕМИ**.

Бело (на средина)

Белото светло засветува кога избирате опција за циклус или кога циклусот е паузиран.

- Белото светло се пали кога циклусот е во тек.

Зелено (десно)

Зеленото светло се пали кога ќе заврши циклусот. Се гаси кога ќе се отвори вратата.

- Ако апаратот не детектира дека вратата се отворила, светлото ќе се изгасне по 90 секунди.

Табела со програми

Водич за програми

На модели DF425***

Програма	Ниво на нечисто тија	Wash (Миење)		Плакнење		Dry (Сушење)
		Pre-wash (Претмиење)	Main wash (Главно миење)	Плакнење	Heating rinse (Плакнење со топла вода)	
Auto (Автоматски)	Сите нивоа	●	● (65 - 70 °C)	●	● (62 °C) ^{*1} (70 °C) ^{*2}	●
Intensive (Интензивно)	Heavy (Многу нечисти садови)	●	● (75 °C)	●	● (62 °C) ^{*1} (70 °C) ^{*2}	●
Delicate (Деликатни)	Light (Малку нечисти садови)	●	● (55 °C)	●	● (62 °C) ^{*1} (70 °C) ^{*2}	●
Refresh (Освежи) ^{*1}		●		●	● (62 °C) ^{*1} (75 °C) ^{*2}	●
Eco	Moderate (Средно нечисти садови)	●	● (46 °C) ^{*1} (42 °C) ^{*2}	●	● (54 °C) ^{*1} (64 °C) ^{*2}	●
Turbo (Турбо)	Moderate (Средно нечисти садови)	●	● (65 °C)	●	● (62 °C) ^{*1} (65 °C) ^{*2}	
Express (Експресно)	Light (Малку нечисти садови)	●	● (45 °C)	●	● (62 °C) ^{*1} (60 °C) ^{*2}	
Rinse (Плакнење)	Light (Малку нечисти садови)			●		

Програма	Ниво на нечистотија	Wash (Миење)		Плакнење		Dry (Сушење)
		Pre-wash (Претмиење)	Main wash (Главно миење)	Плакнење	Heating rinse (Плакнење со топла вода)	
Machine Clean (Чистење на машината)		●	● (50 °C)	●	● (70 °C)	●

*1 Вклучена е функцијата за **сушење со автоматско отворање**.

*2 Исклучена е функцијата за **сушење со автоматско отворање**.

НАПОМЕНА

- Времетраењето може да варира во зависност од температурата на водата, амбиенталната температура, притисокот на водата и напонот.
- Информација дека вредностите дадени за програмите, освен за еколошката програма, се само индикативни.
- Кога е активирана функцијата за **сушење со автоматско отворање**, температурата за затоплување на плакнењето ќе варира.

На моделите DF325*** / DF325**

Програма	Ниво на нечистотија	Wash (Миење)		Плакнење		Dry (Сушење)
		Pre-wash (Претмиење)	Main wash (Главно миење)	Плакнење	Heating rinse (Плакнење со топла вода)	
Auto (Автоматски)	Сите нивоа	●	● (65 - 70 °C)	●	● (70 °C)	●
Intensive (Интензивно)	Heavy (Многу нечисти садови)	●	● (75 °C)	●	● (70 °C)	●
Delicate (Деликатни)	Light (Малку нечисти садови)	●	● (55 °C)	●	● (70 °C)	●
Refresh (Освежи) *1		●		●	● (75 °C)	●
Есо	Moderate (Средно нечисти садови)	●	● (42 °C)	●	● (64 °C)	●
Turbo (Турбо)	Moderate (Средно нечисти садови)	●	● (65 °C)	●	● (65 °C)	
Express (Експресно)	Light (Малку нечисти садови)	●	● (45 °C)	●	● (60 °C)	
Rinse (Плакнење)	Light (Малку нечисти садови)			●		
Machine Clean (Чистење на машината)		●	● (50 °C)	●	● (70 °C)	●

*1 За модели со пареа

НАПОМЕНА

- Времетраењето може да варира во зависност од температурата на водата, амбиенталната температура, притисокот на водата и напонот.
 - Информација дека вредностите дадени за програмите, освен за еколошката програма, се само индикативни.
-

Регулатива за Европа (за моделите DF425***)

Програма	Потрошувачка на вода *1	Потрошувачка на електрична енергија (kWh) *1	Времетраење (min) *1
Auto (Автоматски)	12,9	0,91 - 0,97	162
Intensive (Интензивно)	23,1	1,60	185
Delicate (Деликатни)	16,5	1,07	124
Eco	9,5	0,85	193
Refresh (Освежи)	10,0	0,76	120
Turbo (Турбо)	18,5	0,84	78
Express (Експресно)	9,6	0,58	56
Rinse (Плакнење)	6,6	0,01	18
Machine Clean (Чистење на машината)	12	0,78	83

*1 Вклучена е функцијата за **сушење со автоматско отворање**.

НАПОМЕНА

- Податоците ќе варираат во зависност од индивидуалните услови.

Регулатива за Европа (за моделите DF325*** / DF325**)

Програма	Потрошувачка на вода	Потрошувачка на електрична енергија (kWh)	Времетраење (min)
Auto (Автоматски)	13,1	1,08 - 1,17	195
Intensive (Интензивно)	23,9	1,76	185
Delicate (Деликатни)	16,8	1,14	124
Eco	9,5	0,95	228
Refresh (Освежи)*1	9,8	0,78	66
Turbo (Турбо)	18,8	0,87	59
Express (Експресно)	12,4	0,61	38
Rinse (Плакнење)	6,5	0,01	18
Machine Clean (Чистење на машината)	12,1	0,75	83

*1 За модели со пара

НАПОМЕНА

- Податоците ќе варираат во зависност од индивидуалните услови.

НАПОМЕНА

- Регулатива ЕУ 2019/2022, која стапува на сила од 1 март 2021 година, е поврзана со класите на енергетска ефикасност според Регулативата 2019/2017.
- Скенирајте го QR-кодот на етикетата за електрична енергија што сте ја добиле со апаратот и така ќе добиете врска до информациите поврзани со работата на апаратот од базата на податоци на ЕУ EPREL. Чувајте ја етикетата за електрична енергија како референца заедно со прирачникот за корисници и сите други документи испорачани со апаратот.
- Моделот можете да го пронајдете на етикетата за спецификации на апаратот. Отворете ја вратата и погледнете ја на десната страна од вратата.
- За да ги пронајдете истите информации на EPREL, одете на <https://eprel.ec.europa.eu> и пребарајте со употреба на името на моделот. (Стапува на сила од 1 март 2021 година)

Достапни опции

НАПОМЕНА

- Опцијата **Energy Saver (Штедење енергија)** не е достапна со **High Temp (Висока температура)** или **Extra Dry (Екстра суво)**.
- Опцијата **Delay Start (Одложен старт)** може да се избере за секоја програма на миеење во оваа табела.

За модели без пареа

Програма	Dual Zone (Двојна зона)	Half Load (Половина полнење)	Energy Saver (Штедење енергија)	High Temp (Висока температура)	Extra Dry (Екстра суво)
Auto (Автоматски)	●	●	●	●	●
Intensive (Интензивно)	●	●		●	●
Delicate (Деликатни)		●	●		●
Eco	●	●	●	●	●
Turbo (Турбо)	●			●	●
Express (Експресно)	●			●	●
Rinse (Плакнење)					
Machine Clean (Чистење на машината)					
Download Cycle (Преземање на циклус)					

За модели со параа

Програма	Dual Zone (Двојна зона)	Half Load (Половина полнење)	Energy Saver (Штедење енергија)	Steam (Параа)	High Temp (Висока температура)	Extra Dry (Екстра суво)
Auto (Автоматски)	●	●	●	●	●	●
Intensive (Интензивно)	●	●		●	●	●
Delicate (Деликатни)		●	●	●		●
Refresh (Освежи)				●		●
Eco	●	●	●	●	●	●
Turbo (Турбо)	●			●	●	●
Express (Експресно)	●				●	●
Rinse (Плакнење)						
Machine Clean (Чистење на машината)						
Download Cycle (Преземање на циклус)						

Информации за тест

За модели со функцијата сушење со автоматско отворање

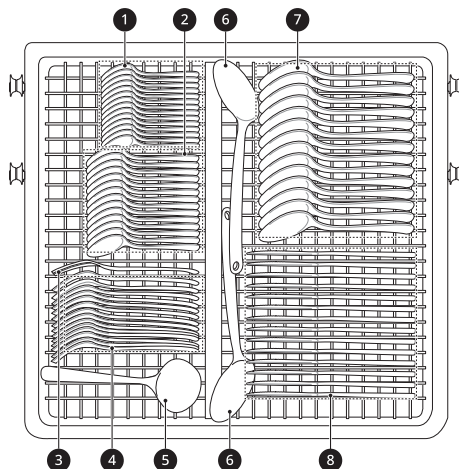
- Капацитет: 14 поставки
- Програма за споредба: **Есо**
- Поставка за средство за плакнење: L4
- Референца за средство за миеење: 22 g детергент во диспензерот.
- Поставување на полицата U: на средина
- Поставка **Сушење со автоматско отворање**: вклучено
- Тип на филтер: рачен

За модели без функцијата сушење со автоматско отворање

- Капацитет: 14 поставки
- Програма за споредба: **Есо**
- Поставка за средство за плакнење: L4
- Референца за средство за миеење: 22 g детергент во диспензерот.
- Поставување на полицата U: на средина
- Тип на филтер: рачен

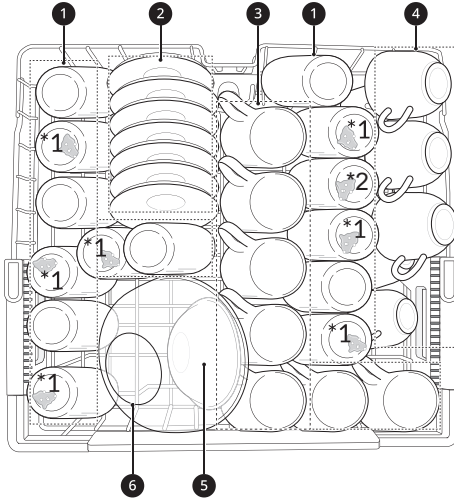
Полнење со садови

Кошница за прибор за јадење



- 1 Лажички за чај (неизвалкани)
- 2 Лажички за десерт (неизвалкани)
- 3 Вилушки за служење (неизвалкани)
- 4 Вилушки (јајце)
- 5 Лажица за сос (неизвалкана)
- 6 Лажици за служење (неизвалкани)
- 7 Лажици за супа (со овесни остатоци)
 - Секоја втора лажица за супа е извалкана.
- 8 Ножеви (неизвалкани)

Горна полица



1 Чаши (за млеко)

*1 Има 7 чаши извалкани од млеко.

*2 Чаши за млеко за EN60704-2-3: 2020

2 Чинивчиња (црн чај)

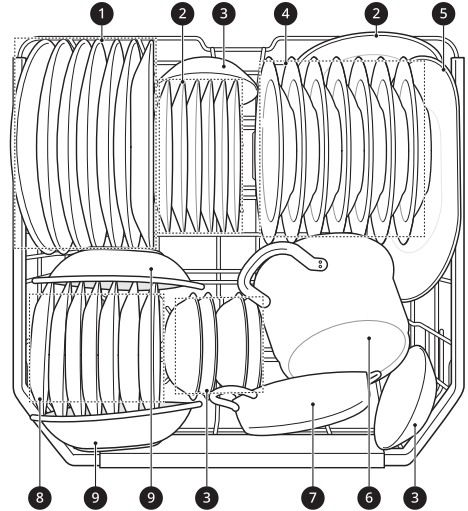
3 Големи шолји (црн чај)

4 Шолји (црн чај)

5 Чинија за десерт (со овесни остатоци)

6 Стаклена чинија (за месо)

Долна полица



1 Чинии за вечера (јајца)

2 Чинии за десерт од меламин (јајца)

3 Чинии за десерт (со овесни остатоци)

4 Чинии за супа (со овесни остатоци)

5 Овал (месо)

6 Мала тава (спанаќ + маргарин)

7 Тава за рерна (месо)

8 Чинии за десерт (спанаќ)

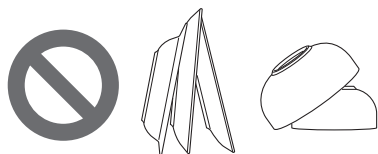
9 Чинии од меламин (маргарин)

Полнење на машината

За ефикасни резултати од миење, секогаш следете ги упатствата.

- Пред да ја наполните машината, отстранете го остатокот храна од чиниите, вклучувајќи ги коските итн. Секогаш исплакнете ги чиниите пред миењето доколку не планирате веднаш да ја вклучите машината.
- Загорените садови треба прво да се откиснат пред да се стават во машината за миење садови.
- Длабоките садови треба да се сместат наопаку.

- Пластичните садови нема добро да се исушат во споредба со останатите.
- Садовите не треба да се допираат.



Предмети што не одговараат за машини за миење садови

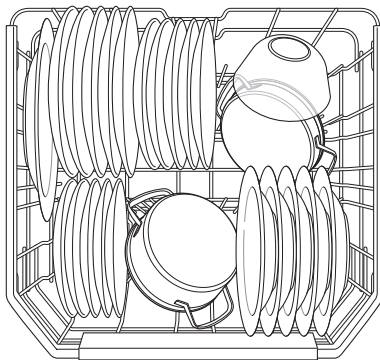
Комбинацијата на висока температура на водата и детергенти за машина за миење садови може да ги оштети некои од садовите. Не мијте ги следниве садови.

- Садови од бакар или анодизиран алуминиум
- Рачно цртани сребрени садови или порцелан цртан со златна боја
- Прибор со дрвени или коскени рачка
- Железни или 'рѓосувачки прибор
- Пластични садови кои не се безбедни за миење во машина
- Скапи садови како сребрени или чинии со златни делови
- Кршливи садови, како кристални чаши

⚠ ВНИМАНИЕ

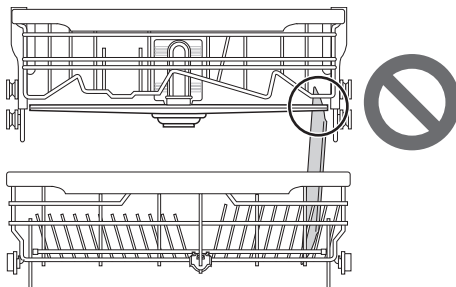
- Не ставајте тенџериња и тавчиња со пластични рачки, затоа што можат да се стопат од топлината и детергентот.
- Можно е да не се отстранат отпечатоците од водоотпорни и долготрајни кармини.

За да ви биде полесно редењето на големите садови, можете да го спуштите предниот ред од решетката за садови.



⚠ ВНИМАНИЕ

- Прскалките не смее да бидат блокирани од садови коишто се превисоки или коишто висат низ корпите. Тестирајте за слободно движење со рачно ротирање на прскалките.



Полнење на долната полица

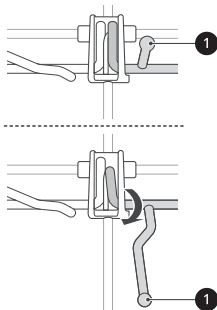
Секојдневно полнење

Долната полица се користи за плитки чинии, чинии за супа, тави, тенџериња, тавчиња, капаци, дури и садови за скара.

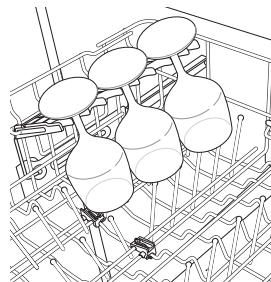
Чиниите треба да се позиционираат исправено накај средината на полицата, а тенџерињата, тавите и останатите големи садови мора да се завртат наопаку.

Симнување на дел од решетката за садови

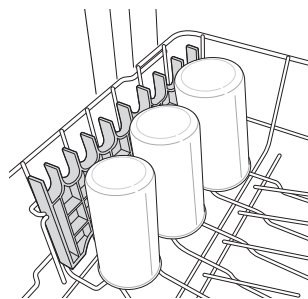
Симнете ја решетката за да има место за поголеми садови, а повлечете ја нагоре за да ставите помали.



Полиците за шољи обезбедуваат потпора за долги чаши со постолје.



Левиот дел од решетката може да се симне или извлече ако е потребно место за високи садови.



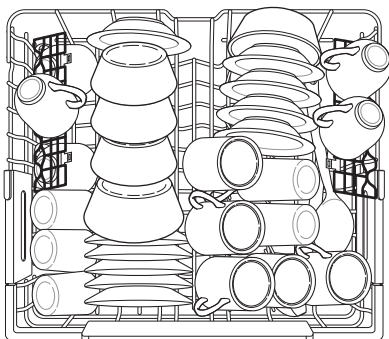
Полнење на горната полица

Секојдневно полнење

Горната полица е соодветна за деликатни садови, како што се мали чинии, долг прибор за готвење, шољи, чаши и некои пластични садови коишто се безбедни за миење во машина.

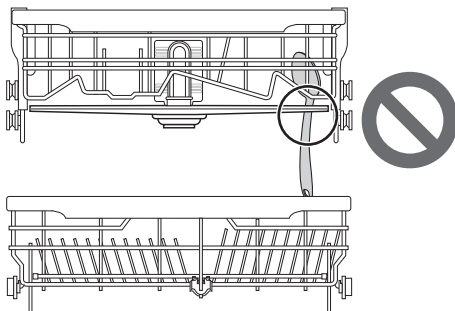
Шољите, чашите и длабоките чинии мора да бидат поставени наопаку.

Чиниите треба да ги поставите вертикално.



⚠ ВНИМАНИЕ

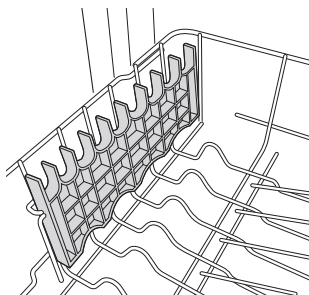
- Прскалките не смее да бидат блокирани од садови коишто се превисоки или коишто висат низ корпите. Тестирајте за слободно движење со рачно ротирање на прскалките.



Отстранување и местење на полиците за чаши

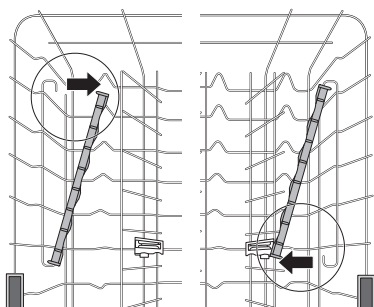
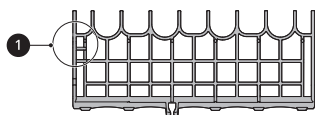
Левата и десната полица за чаши може да се измени или отстрани.

1 Лизгајте надолу до затворена позиција.

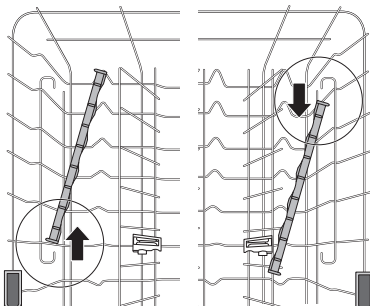


2 Пронајдете го приклучокот **1** на решетката за чаши и цврсто извадете ја решетката од лентата за поддршка на таа страна.

- Решетката на лево е слободна од позади, додека решетката на десно е слободна од напред.



3 Лизгајте ја решетката на спротивната страна.

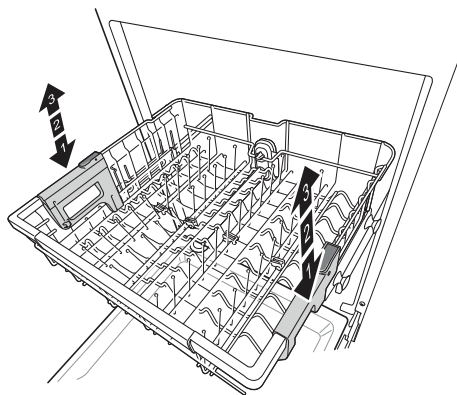


4 Наместете ја решетката по обратните упатства.

Прилагодлива висина на горната полица

Висината на горната полица може да се прилагоди кога местите чаши со долго постолје или високи садови.

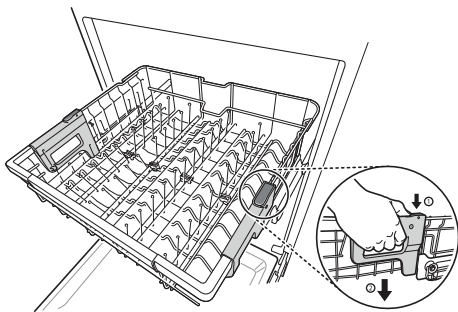
Има три достапни позиции за прилагодување на висината на горната полица со што се ослободува повеќе простор.



Симнување на полицата

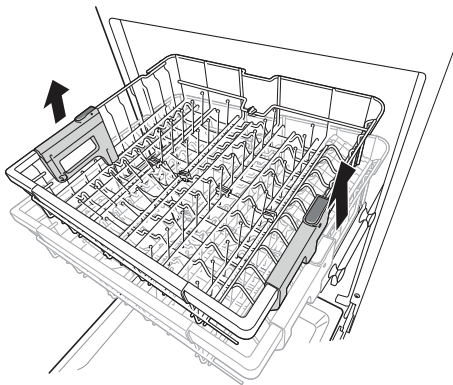
Држете ја полицата на средина од двете страни за поддршка на тежината. Потоа, притиснете ги

копчињата што се наоѓаат од двете страни и полицата ќе се ослободи и спушти.



Качување на полицата

Подигнете ја полицата на средина од двете страни и ќе се заклучи самата во позиција. Не е потребно да се подигаат рачките за заклучување кога ја качувате полицата.



Можна големина на чиниите според позицијата на горната полица

Позиција на горната полица	Големина на чиниите (mm)		
	Горна полица		Долна полица
	со полица за прибор	без полица за прибор	
Дигнете	165	215	300
Средина	193	243	272

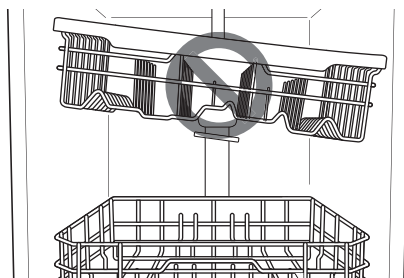
Позиција на горната полица	Големина на чиниите (mm)		
	Горна полица		Долна полица
	со полица за прибор	без полица за прибор	
Спуштете	221	271	244

▲ ПРЕДУПРЕДУВАЊЕ

- Пред прилагодувањето, осигурајте се дека полицата е целосно испразнета. Во спротивно, садовите може да се оштетат или да се повредите.

НАПОМЕНА

- Подигнете ја горната полица без да ги притискаете копчињата од двете страни. Притискањето на копчињата додека ја подигате полицата ќе спречи да се заклучи во позиција.
- За да ја поставите полицата на средна позиција, можеби е полесно прво да ја спуштите долу, па да ја подигнете од двете страни индивидуално додека не кликне дека е наместена.

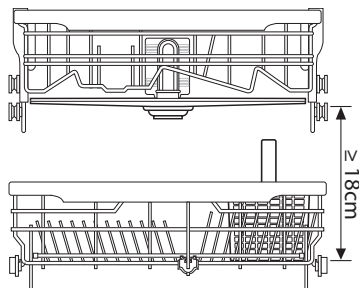


- Има дополнителни 56 mm во висина кога е поместена надолу.
- Откако ќе ги прилагодите нивоата на полиците, проверете дали прскалките слободно ротираат.
- Кога горната полица е на долна позиција, проверете дали дното на полицата, вклучувајќи ја и прскалката пречи на садовите на долната полица.

НАПОМЕНА

- Кога горната полица е на долна позиција, притиснете ја прво горната полица, а потоа долната.
- Извлечете ја прво долната полица, а потоа горната.
- Кога горната полица е на долна позиција, можната висина на садовите се разликува кај моделите со полица за прибор.

- Приборот не смее да биде подолг од 18 cm.

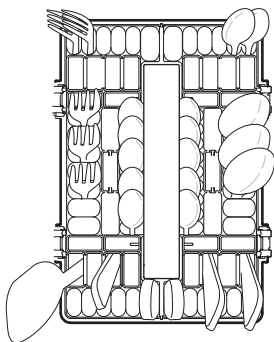


Полнење на кошницата за прибор за јадење

Секојдневно полнење

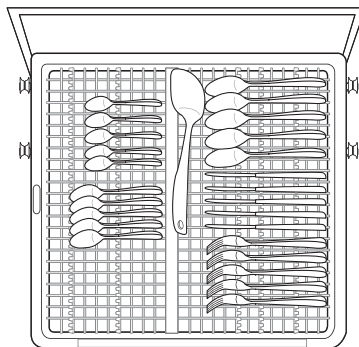
Капакот може да се отстрани во случај на голем прибор, како маталки.

Сместете ги вилушките и лажиците во кошницата со нивните рачки надолу.



Полнење на полицата за прибор за јадење

Полицата за прибор е соодветна за плитки садови и за повеќето од приборот за готвење или служење. Може да собере и мали чинии и капачиња. Раздвојувачите на полицата помага приборот да биде одвоен за да се избегне оштетување и да се подобри миењето.

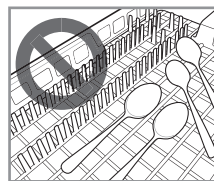
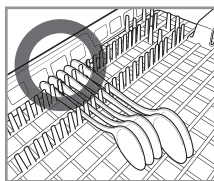


⚠ ПРЕДУПРЕДУВАЊЕ

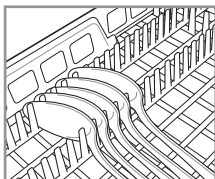
- За да спречите повреда, ставете ги ножевите и другиот остар прибор во кошницата.
- Ако сакате да ги ставите во кошницата, ставете ги со острите делови надолу.

⚠ ВНИМАНИЕ

- Не попречувајте го патот на ротирачките прскалки.

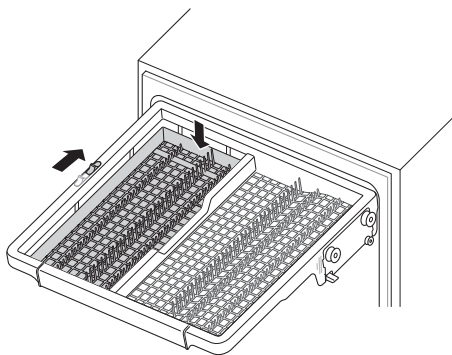


Ако рачките на приборот се премногу дебели, тогаш превртете ги, така што ќе бидат во спротивната насока.



Послужавник со прилагодлива висина

Послужавникот на левата страна може да се прилагоди на висока или ниска позиција за да собере прибор од различна големина. Приспособете ја полицата со лизгање на рачката.



Отстранување на полицата за прибор за јадење

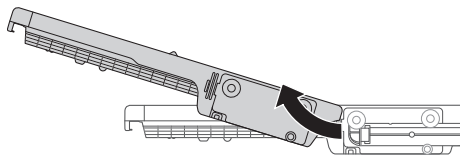
Целата полица може да се отстрани доколку е потребно повеќе простор за поголеми садови на горната полица.

Секогаш отстранувајте го приборот од полицата пред да ја отстраните неа.

Повлечете ја надвор до крајот на шините.

Потоа, подигнете ја предната страна на полицата така што валјачите ќе ја прескокнат границата

на крајот од шините. Полицата сега може да ја излизгате напред и да ја отстраните од шините.



⚠ ПРЕДУПРЕДУВАЊЕ

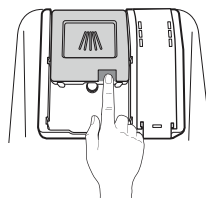
- Внимавајте кога полните или празните садови со остри рабови. Острите ножеви ставете ги со сечилото надолу за да го намалите ризикот од повреда.

Додавање на средства за чистење

Додавање детергент во диспензерот

- Отстранете ја налепницата од диспензерот пред да го вклучите апаратот за првпат.
- Количината на детергент зависи од циклусот, количината на садови и нивото на извалканост.
- Ставете детергент во преградата за детергент пред да започне циклусот, освен во циклусот **Rinse (Плакнење)**.

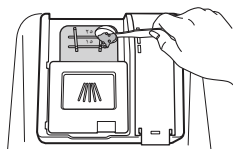
- 1 Притиснете го копчето на капачето од диспензерот за да се отвори.



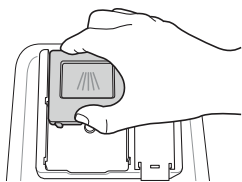
- 2 Додајте детергент во преградата за главно миење додека не дојде до нивото меѓу 15 и 25.

- Наполнете малку над линијата 25 ако имате тврда вода или многу нечисти садови.

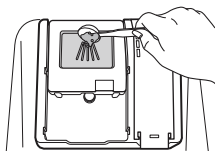
- Наполнете малку над линијата 15 ако имате мека вода или малку нечисти садови.



- 3** Турнете го капакот од детергентот за да се затвори додека не слушнете кликување.



- 4** Ако е потребно предмиење, наполнете ја преградата за предмиење со детергентот.



Програма	Количина детергент
	Main wash (Главно миење) (диспензер)
Auto (Автоматски)	20 g
Intensive (Интензивно)	20 g
Delicate (Деликатни)	20 g
Refresh (Освежи)	-
Eco	22 g
Turbo (Турбо)	20 g
Download Cycle (Преземање на циклус)	20 g

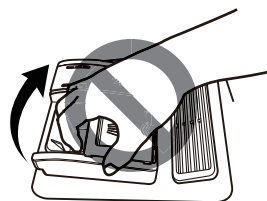
Програма	Количина детергент
	Main wash (Главно миење) (диспензер)
Machine Clean (Чистење на машината)	20 g
Rinse (Плакнење)	-
Express (Експресно)	20 g

⚠ ПРЕДУПРЕДУВАЊЕ

- Детергентот за миење и средството за плакнење, како и сите други детергенти што се користат во домаќинствата, содржат хемикалии. Затоа, чувајте ги подалеку од дофат на деца.

⚠ ВНИМАНИЕ

- Употребувајте детергент кој е наменет само за машина за миење садови. Неправилното користење на детергентот може да предизвика пена за време на миењето. Вишокот пена може да ги намали резултатите на миење и да предизвика протекување на машината.
- За да избегнете оштетување, не затворајте ја вратата од машината со тоа што ќе го влечете диспензерот.



- Употреба на несоодветни детергенти и средства за плакнење може да предизвика ризик од оштетување, корозија, намалување на резултатите на миењето, намалување на квалитетот на сушењето или протекување.
- Употребувајте ги само оние детергенти и средства за плакнење кои ги исполнуваат стандардите. Употребата на

неквалификувани детергенти и средства за плакнење може да резултира со ризик од оштетување, корозија, намалување на резултатите на миењето, намалување на квалитетот на сушењето и протекување.

- Ако се употреби премногу детергент, може да се создаде пена. Така може да се предизвика протекување на пената и садовите во машината за миење садови може да имаат дамки.

НАПОМЕНА


- Премногу детергент може да остави слој на садовите и во кадата, што ќе доведе до намалување на резултатите на миењето.
- По миењето, проверете дали детергентот е целосно измиен.
- Некои таблети за миење можат да се заглават во диспензерот доколку се големи. Пред почетокот на циклусот, таблетите можат да се стават директно во машината, веднаш до филтерот.
- Никогаш не ставајте детергент за садови во апаратот.
- Детергент во вид на таблети не се препорачува кога се употребува циклусот **Express (Експресно)**. Доколку се употребат таблети, може да останат остатоци врз садовите поради релативно ниската температура на плакнење.

Дополнување

За да ја одржите ефективностa на резултатите од сушење, редовно проверувајте и дополнувајте средство за плакнење.


За да ја одржите ефективностa на резултатите од миење, редовно проверувајте ја и дополнувајте ја машината за миење садови со сол.

Проверка на средството за плакнење

Кога ќе засвети иконата , тоа значи дека средството за плакнење е при крај. Дополнете средство за плакнење доколку е потребно.

Проверка на солта

По полнењето на машината со сол, програмата за миење треба да се пушти без садови, бидејќи истурената сол внатре во апаратот може да предизвика рѓа или оштетување на апаратот ако не се измие.

Кога ќе засвети иконата за дополнување сол , тоа значи дека солта е при крај. Дополнете сол доколку е потребно.

ВНИМАНИЕ

- Не додавајте детергент или други течности во водата за омекнување, освен сол наменета за машина за миење садови. Може да дојде до дефект на системот за омекнување на водата.

Корисни совети

Сушење

- Можно е пластичните садови да немаат добри резултати на сушење во споредба со останатите.
- За да се подобри резултати од сушењето, отворете ја вратата кратко време по завршувањето на циклусот.

НАПОМЕНА

- Садовите не треба да се допираат.
- Доколку резултатите од сушењето не се добри или ако на садовите има дамки од вода, додајте ја опцијата **Extra Dry (Екстра суво)** или поставете го нивото на плакнење.

НАПОМЕНА

- Кога употребувате таблети (2 во 1, 3 во 1), може да е потребно дополнително плакнење, но во зависност од количината на садовите, се употребува опцијата **Extra Dry (Екстра суво)** или се приспособува нивото на плакнење.
-

Празнење на машината за миење садови

- Пред да ги извадите садовите, проверете на допир дали доволно се изладице.
 - Испразнете ја прво долната полица, а потоа горната. На тој начин водата нема да капе од горната полица врз садовите кои се долу.
-

ПРЕДУПРЕДУВАЊЕ

- Не влечете ги истовремено сите полни полици, поради тоа што апаратот може да се преврти. Испразнете ја секоја полица посебно.
-

ПАМЕТНИ ФУНКЦИИ

Апликација LG ThinQ

Апликацијата „LG ThinQ“ Ви овозможува да комуницирате со уредот со помош на паметен телефон.

Карактеристики на апликацијата LG ThinQ

Комуницирајте со уредот преку вашиот мобилен телефон, користејќи ги корисните паметни опции.

Набљудување

Оваа функција го проверува моменталниот статус, циклусот, опциите за тековното време и времето на завршување на циклусот на еден ист екран.

Download Cycle (Преземање на циклус)

Можете да преземете нови и посебни циклуси што не се вклучени во основните циклуси на апаратот.

Апаратите коишто биле успешно регистрирани можат да преземат различни посебни циклуси, специфични за апаратот.

Само еден циклус може да биде зачуван во апаратот истовремено.

Откако ќе заврши преземањето на циклусот во апаратот, апаратот ќе го задржи преземениот циклус сè додека не се преземе нов циклус.

Потсетник за чистење на машината

Оваа функција покажува уште колку циклуси има пред почетокот на циклусот **Machine Clean (Чистење на машината)**.

Smart Diagnosis

Оваа функција обезбедува корисни информации за дијагностицирање и решавање на проблемите кај апаратот, базирајќи се на образецот на употреба.

Подесувања

Ви овозможува да подесите различни опции кај апаратот и во апликацијата.

Предупредувачко известување

Кога циклусот е завршен или кога апаратот има проблеми, постои опција да добивате мобилни

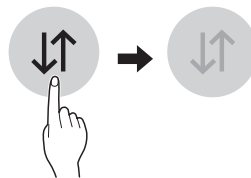
известувања на паметниот телефон. Известувањата се активираат дури и ако апликацијата **LG ThinQ** е исклучена.

НАПОМЕНА

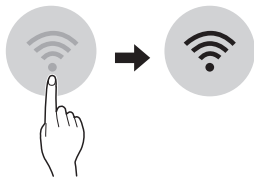
- Доколку го промените рутерот, вашиот интернет-провајдер или лозинката, избришете ја машината регистрирана преку апликацијата **LG ThinQ** и повторно регистрирајте ја.
- Апликацијата подлежи на промени заради подобрување на апаратот, без да им се даде предупредување на корисниците.
- Карактеристиките може да варираат во зависност од моделот.

Пред користење на апликацијата LG ThinQ

- 1 Проверете го растојанието помеѓу апаратот и безжичниот рутер (Wi-Fi мрежата).
 - Ако е преголемо растојанието помеѓу апаратот и безжичниот рутер, доаѓа до слабеење на сигналот. Може да биде потребен подолг временски период за регистрација, или може да доведе до неуспешна инсталација.
- 2 Исклучете го **мобилниот** или **интернетот** на вашиот паметен телефон.



- 3** Поврзете го вашиот pameten телефон со безжичниот рутер.



НАПОМЕНА

- За да потврдите дека сте поврзани со Wi-Fi, проверете дали свети иконата  на контролната табла.
- Апаратот поддржува единствено 2,4 GHz Wi-Fi мрежи. За да ја проверите фреквенцијата на вашата мрежа, контактирајте го вашиот снабдувач со интернет услуги, или погледнете во упатството за вашиот безжичен рутер.
- **LG ThinQ** не е одговорна за какви било проблеми околу поврзувањето со мрежата или какви и да било проблеми, дефекти или грешки предизвикани од поврзувањето со мрежата.
- Ако апаратот има проблеми околу конектирањето на Wi-Fi мрежата, можеби е предалеку од рутерот. Набавете Wi-Fi засилувач (засилувач на дострелот) за да ја подобрите јачината на Wi-Fi сигналот.
- Wi-Fi конекцијата можеби не се поврзува или можеби е прекината поради опкружувањето на домашната мрежа.
- Мрежното поврзување можеби нема да работи правилно во зависност од провајдерот на интернет услугите.
- Околното безжично поврзување можеби придонесува безжичниот мрежен сервис да работи бавно.
- Апаратот не може да се регистрира, поради проблеми со преносот на безжичниот сигнал. Извлечете го кабелот од апаратот и почекајте околу една минута, пред повторно да се обидете.
- Ако евозможен заштитниот сид на вашиот безжичен рутер, оневозможете го или додадете исклучок во него.
- Името на безжичната мрежа (SSID) треба да биде комбинација од англиски букви и

броеви. (Не користете ги специјалните карактери)

- Smartphone корисничкиот интерфејс (UI) може да варира, во зависност од мобилниот оперативен систем (OS) и производителот.
- Ако безбедносниот протокол на рутерот е поставен на **WEP**, може да не успеете да воспоставите мрежа. Сменете го безбедносниот протокол (се препорачува **WPA2**) и повторно регистрирајте го производот.

Инсталирање на апликацијата LG ThinQ

Побарајте ја апликацијата **LG ThinQ** на Google Play Store & Apple App Store преку вашиот смартфон. Следете ги инструкциите за преземање и инсталирање на апликацијата.

Деактивирање на мрежното поврзување

На вашиот pameten телефон, отповрзете се од домашната Wi-Fi мрежа.

- 1** Вклучете ја апликацијата **LG ThinQ**.
- 2** Изберете и допрете на **машината за миене садови** во апликацијата.
- 3** Изберете и допрете за **бришење производ** во менито со поставки и отповрзете.

Спецификации за безжичниот LAN-модул

Модел	LCW-003
Фреквентен опсег	2.412 до 2.472 MHz

Излезна моќност (макс.)	IEEE 802.11b: 18.37 dBm IEEE 802.11g: 17.67 dBm IEEE 802.11n: 17.67 dBm
------------------------------------	--

Безжична функција S/W верзија : V 1.0

Корисникот треба да има на ум дека апаратот треба да се постави и да работи на минимално растојание од 20 cm од телото на корисникот.

Изјава за усогласеност



LG Electronics изјавува дека радио-опремата од типот за машина за миење садови е усогласена со Директивата 2014/53/EU. Целосниот текст од изјавата за усогласеност за ЕУ можете да го пронајдете на следната интернет-адреса:

<http://www.lg.com/global/support/cedoc/cedoc#>
LG Electronics European Shared Service Centre B.V.
Krijgsman 1, 1186 DM Amstelveen, Холандија

Известување за софтвер со отворен код

За да го добиете изворниот код според GPL, LGPL, MPL и другите лиценци за отворен изворен код кој се користи кај овој производ, посетете ја страницата <http://opensource.lge.com>.

Покрај изворниот код, достапни за преземање се и сите наведени одредби на лиценца, одрекувања од одговорност и известувања за авторски права.

LGЕ исто така ќе ви овозможи слободен код на CD-ROM за цена која ги покрива трошоците за таквото доставување (како на пр. трошоци за медиумот, пратката и манипулативни трошоци) по барање преку е-пошта на opensource@lge.com. Оваа понуда е валидна во период од три години по последната наша испорака на овој производ. Оваа понуда важи за секој примател на овие информации.

Smart Diagnosis

Оваа функција е достапна само со моделите со логото или .

Употребете ја оваа опција за да дијагностицирате или решите проблеми со вашиот апарат.

НАПОМЕНА

- Од причини што не може да се препишат како немарност на LGE, услугата може да не работи поради надворешни фактори, како што се, но неограничувајќи се на недостапноста на Wi-Fi, губење на Wi-Fi конекцијата, политиката на продавницата за апликации или недостапноста на апликацијата.
- Оваа функција може да е предмет на промена без претходна најава и може да има поразлична форма во зависност од тоа каде сте лоцирани.

Користење LG ThinQ за дијагностицирање проблеми

Ако искусите проблеми со вашиот апарат опремен со Wi-Fi, тој може да ги испрати податоците за проблемот на паметен телефон преку апликацијата **LG ThinQ**.

- Вклучете ја апликацијата **LG ThinQ** и изберете ја опцијата **Smart Diagnosis** во менито. Следете ги упатствата во апликацијата **LG ThinQ**.



Користење звучна дијагноза за дијагностицирање проблеми

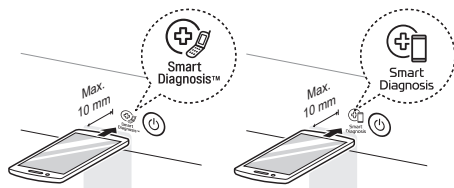
Следете ги упатствата долу за да го користите методот на звучна дијагноза.

- Вклучете ја апликацијата **LG ThinQ** и изберете ја опцијата **Smart Diagnosis** во менито. Следете ги упатствата за звучна дијагноза дадени во апликацијата **LG ThinQ**.

1 Притиснете го копчето **Напојување** за да ја вклучете машината.

- Не притискајте ниедно од копчињата.

- 2** Поставете го делот на паметниот телефон за зборување блиску до логото  или .



- 3** Притиснете го и држете го копчето **Download Cycle (Преземање на циклус)** 3 секунди или подолго додека го држите делот на паметниот телефон за зборување до логото сè додека не заврши преносот на податоците.
- Не преместувајте го паметниот телефон додека не заврши преносот на податоците. Се прикажува преостанатото време потребно за трансфер на податоци.

- 4** Откако ќе заврши преносот на податоци, дијагнозата се прикажува во апликацијата.

НАПОМЕНА

- За најдобри резултати, не поместувајте го паметниот телефон додека се пренесуваат тоновите.
-

Корисничка поддршка и услуги

Стапете во контакт со корисничкиот информативен центар на LG Electronics.

- За да пронајдете овластен сервисен персонал на LG Electronics, посетете ја нашата веб-страница на www.lg.com и следете ги упатствата таму.
- Не препорачуваме да правите самостојни поправки бидејќи така може дополнително да го оштетите уредот и да ја поништите гаранцијата.
- Резервните делови наведени во Регулативата 2019/2022 се достапни во времетраење од минимум 7 години.

ОДРЖУВАЊЕ

За одржување и спречување проблеми, редовно проверувајте ја внатрешноста и надворешноста на апаратот, вклучувајќи ги и филтрите и прскалките.

⚠ ПРЕДУПРЕДУВАЊЕ

- Кога ја чистите внатрешноста и надворешноста на апаратот, не употребувајте раствори базирани на растворувачи или ацетон. Може да дојде до пожар или експлозија.

НАПОМЕНА

- Внимавајте миленичињата да не ги изгризат каблите за струја и цревата за вода.

Чистење и нега

Чистење на надворешноста

Во повеќето случаи, надворешноста на апаратот може да се чисти со мека крпа или сунѓер, а на крајот со сува мека крпа. Ако надворешноста е од не'рѓосувачки челик, употребете средство за таа намена.

⚠ ВНИМАНИЕ

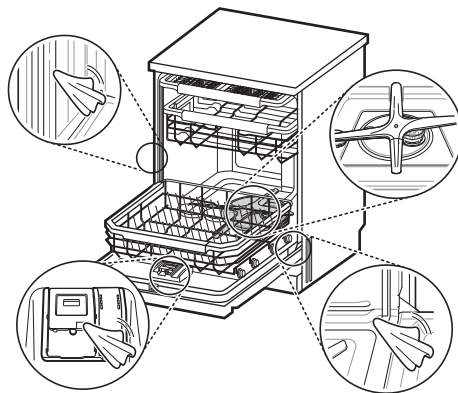
- Ако се истури масло за готвење на површината на производот, веднаш избришете го. Не чистете ја површината со средства кои содржат алкохол, разредувачи, белила, бензен, запаливи течности или абразиви. Овие супстанции може да го обезбојат или оштетат апаратот.

Чистење на внатрешноста

Се препорачува чистење на внатрешноста, прскалките или филтрите еднаш во две седмици.

Периодично чистете ја внатрешноста со мека крпа или сунѓер за да отстраните остатоци од храна или нечистотија.

Остатоките од храна по миењето можат да се залепат во тесните празнини на апаратот. Избришете ги сите наслаги.



НАПОМЕНА

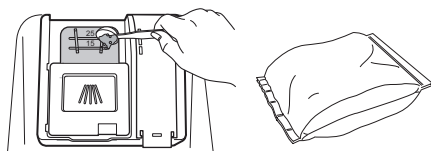
- Ако подолго време не сте го користеле апаратот, освежете ја внатрешноста со програмата **Turbo (Турбо)** или **Machine Clean (Чистење на машината)** со детергент. Кога ќе заврши циклусот, исчистете го апаратот внатре и надвор според упатствата во делот **ОДРЖУВАЊЕ**.

Чистење на кадата

Употреба на лимонска киселина

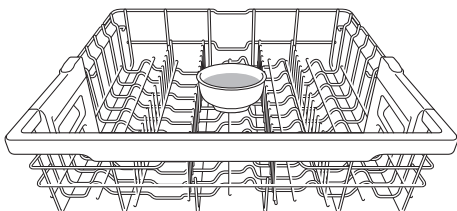
Отстранете ги од апаратот сите садови, кошницата за прибор и држачот за кошницата за прибор. Оставете ги само полиците. За најдобар резултат, употребете лимонска киселина во прав (може да се најде во супермаркетите или да се нарача онлајн).

Измерете 3 лажици (45 g) од правот. Наполнете го делот за детергент со измерената количина.



Употреба на бел оцет

Ако не можете да најдете цитрусна киселина, истурете околу 3/4 - 1 1/4 чаша (200 - 300 mL) бел оцет во плиток сад и поставете го на горната полица. Изберете го циклусот **Auto (Автоматски)**. Не ставајте детергент. Кога ќе заврши циклусот, повторно пуштете го.



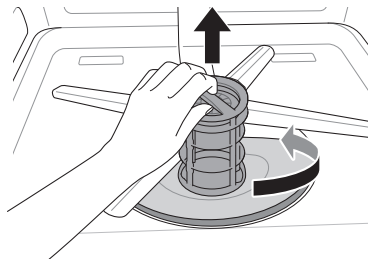
▲ ВНИМАНИЕ

- Не ставајте оцет директно во апаратот.
- Прекумерната употреба на оцет може да го оштети апаратот.

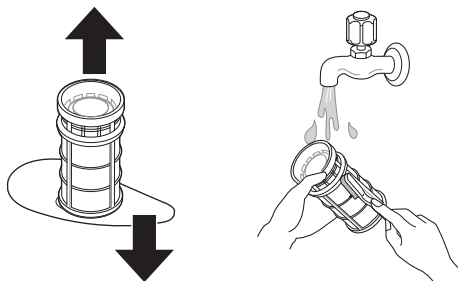
Чистење на филтрите

- 1 Отстранете ја долната полица и позиционирајте ја долната прскалка за поголемо V напред.
- 2 Свртете го внатрешниот филтерот спротивно од стрелките на часовникот и

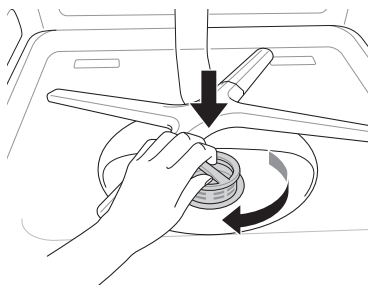
извадете ги составениот внатрешен филтер и филтерот од не'рѓосувачки челик.



- 3 Исчистете ги филтрите под млаз вода со мека четка. Составете ги филтрите пред да ги вратите назад.



- 4 За да ги замените составените филтри, позиционирајте ја прскаката напред со поголемото V. Ставете ги филтрите повторно во држачите и зацврстете ги со вртење на внатрешниот филтер во правец на стрелките од часовникот.



▲ ПРЕДУПРЕДУВАЊЕ

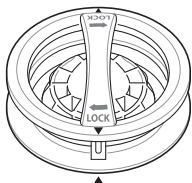
- Внимавајте на острите рабови на филтерот од не'рѓосувачки челик.

⚠ ВНИМАНИЕ

- По миењето, може да се случи парчиња храна да влезат во филтрите. Секоја неотстранета наслага или остаток може да предизвика лош мирис. Исто така, може да се заглави одводот поради заглавените остатоци од храна.

НАПОМЕНА

- Кога го составувате, ротирајте цврсто додека да слушнете кликување.

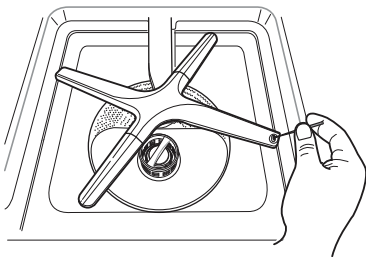


Чистење на прскалките

Доколку прскалките се затнати со наслаг од храна, садовите нема да се мијат добро затоа што водата не може да се распрска.

Чистење на долната прскалка

- 1 Проверете дали дупчињата за прскање се затнати со остатоци од храна.
- 2 Доколку има, отстранете ги со игла или друга остра алатка.

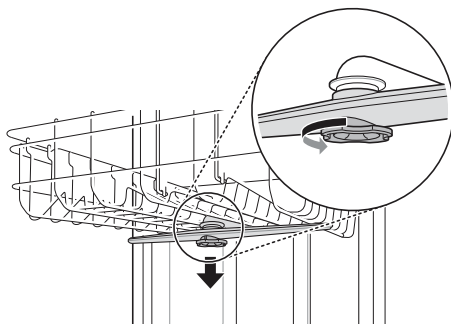


⚠ ВНИМАНИЕ

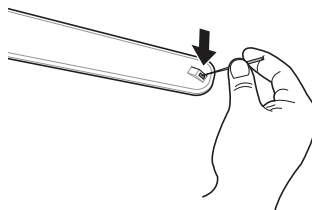
- За да избегнете кршење на краевите на променливиот агол на прскалката, не повлекувајте ги и не ротирајте ги рачно.

Чистење на горната прскалка

- 1 Повлечете ја напред горната полица. Проверете дали дупчињата за прскање се затнати со остатоци од храна.
- 2 Кога чистењето е неопходно, отстранете ја горната прскалка со вртење на штрафчето долу на прскалката за 1/8 спротивно од стрелките на часовникот и повлечете надолу.

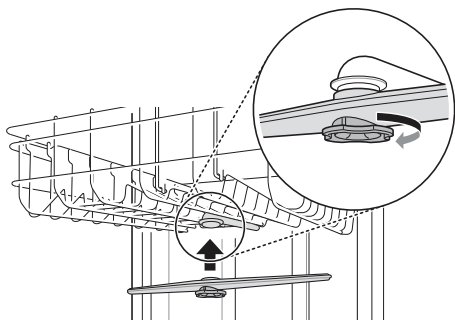


- 3 Отстранете ги остатоците од храна со миење и протресување на прскалката.
- 4 Доколку има, отстранете ги со игла или друга остра алатка.



- 5 По отстранувањето на остатоците, исчистете ги дупчињата на прскалката под млаз вода.

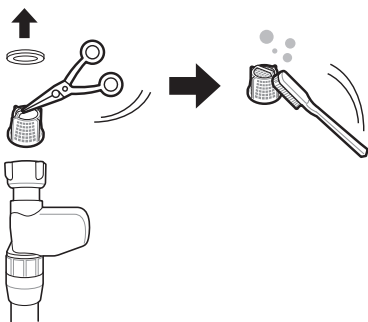
- 6** По чистењето на горната прскалка, притиснете ја назад на место. Завртете го штрафчето за 1/8 во правец на стрелките на часовникот за се заклучи.



- 7** По местето, проверете дали прскалките слободно ротираат.

Чистење на филтерот од доводното црево

- 1** Исклучете ја машината
- 2** Затворете ја славината за вода.
- 3** Отштрафете го доводното црево.
- 4** Отстранете го капачето и пластичниот филтер со мали клешти или ножици.



- 5** Повторно ставете го филтерот и осигурајте се дека е правилно наместен.

- 6** Повторно наместете го и зацврстете го доводното црево во обратен редослед. Не користете механички алат за затегнување на црево. Можете да употребите мека крпа за полесно рачно затегнување.

НАПОМЕНА

- Во доводното црево за вода има филтер.
- Ако во апаратот не тече доволно вода, проверете дали е блокиран филтерот.
- Ако има протекување, доводното црево ќе мора да се провери дали е правилно поврзано.
- Никогаш не претерувајте со затегнувањето на вентилот за вода и не употребувајте механички уред за затегнување.
- Кога го враќате капачето и филтерот, проверете дали се чисти.

Сезонско одржување и чување

- Доколку сте отсутни подолго време во топли денови, затворете го вентилот за вода и исклучете го кабелот за напојување или исклучете го осигурачот. Исчистете го филтерот, внатрешноста и диспензерот за да спречите миризба.
- Доколку сте отсутни подолго време во ладни денови и има шанса за замрзнување, заштитете ја водоводната инсталација и самиот апарат. Подготовката мора да се изведе од страна на квалификуван персонал.

РЕШАВАЊЕ ПРОБЛЕМИ

Пред да го повикате нашиот сервис

При работа, апаратот може да доведе до грешки или дефекти. Следните табели содржат можни причини и напомени за разрешување на пораката за грешка или дефекти. Поголемиот дел од проблемите можете самите да ги решите, што потоа значи заштеда на време и пари поради тоа што не сте изгубиле време на контактирање со сервисниот центар на LG Electronics. Следната табела треба да ви помогне при решавањето проблеми.

Кодови за грешка

Апаратот е опремен со автоматски систем за следење грешки за детекција и дијагноза на проблеми во рана фаза. Ако апаратот не функционира правилно или не работи воопшто, проверете ги следните работи пред да повикате сервис на LG Electronics:

Симптоми	Можни причини и Решение
IE	<p>Проблем со довод на вода.</p> <ul style="list-style-type: none"> Проверете дали доводното црево е затнато, превиткано или замрзнато. Проверете го доводот.
OE	<p>Проблем со одвод.</p> <ul style="list-style-type: none"> Проверете дали одводното црево е затнато, превиткано или замрзнато.
	<p>Приклучокот за отпад е затнат.</p> <ul style="list-style-type: none"> Елиминирајте го отпадот од приклучокот.
	<p>Затнати се филтрите.</p> <ul style="list-style-type: none"> Исчистете ги филтрите.
bE	<p>Премногу пенеење заради несоодветен детергент, како на пример течен сапун.</p> <ul style="list-style-type: none"> Не употребувајте детергент за рачно миење садови. Користете само детергенти кои се наменети за употреба во машина. За да го отстраните вишокот детергент од апаратот, ставете околу 100-200 ml млеко во плитка чинија на горната полица и пуштете го циклусот Auto (Автоматски).
	<p>Неуспешно нивелирање на апаратот.</p> <ul style="list-style-type: none"> Проверете дали апаратот е соодветно нивелиран.
HE	<p>Проблем со грејачот</p> <ul style="list-style-type: none"> Повикајте сервис ако повторно се појави проблемот.
FE	<p>Довод на вишок вода.</p> <ul style="list-style-type: none"> Повикајте сервис ако повторно се појави проблемот.

Симптоми	Можни причини и Решение
PE	Проблем со протекување <ul style="list-style-type: none"> • Повикајте сервис ако повторно се појави проблемот.
EE	Дефект со термисторот <ul style="list-style-type: none"> • Повикајте сервис ако повторно се појави проблемот.
LE	Проблеми со моторот <ul style="list-style-type: none"> • Повикајте сервис ако повторно се појави проблемот.
нE	Проблеми со Vario моторот <ul style="list-style-type: none"> • Повикајте сервис ако повторно се појави проблемот.

Работење

Симптоми	Можни причини и Решение
Бучава	Одредено ниво на бучава е нормално за време за работењето. <ul style="list-style-type: none"> • Отварање на капакот од детергентот. • Одводната пумпа на почетокот од циклусот.
	Апаратот не е нивелиран. <ul style="list-style-type: none"> • Прилагодете ги ногарките.
	Тропање на прскалката низ садовите. <ul style="list-style-type: none"> • Преместете ги садовите.
	Притисокот на водата е превисок. <ul style="list-style-type: none"> • Прилагодете го притисокот на водата.
Машината не работи.	Вратата не е целосно затворена. <ul style="list-style-type: none"> • Повторно нивелирајте го апаратот.
	Не е поврзана струјата или кабелот за напојување. <ul style="list-style-type: none"> • Добро поврзете ја струјата или кабелот за напојување.
	Кога е активирана функцијата Control Lock (Заклучување контроли), ќе се прикаже кодот [L на екранот. <ul style="list-style-type: none"> • Деактивирајте го копчето Control Lock (Заклучување контроли). • Истовремено притиснете ги копчињата Half Load (Половина полнење) и Energy Saver (Штедење енергија) и држете ги 3 секунди за да ја деактивирате оваа функција.
	Осигурувачот е прегорен или прекинувачот се исклучува. <ul style="list-style-type: none"> • Сменете го осигурувачот или ресетирајте го прекинувачот.

Симптоми	Можни причини и Решение
Уредот постојано сигнализира кога ќе се отвори вратата за време или по завршување на циклусот.	<p>Содржината на апаратот е жешка и внимателно треба да се користи кога ги ставате рацете внатре.</p> <ul style="list-style-type: none"> Затворете ја вратата додека апаратот и садовите не се изладат. Бучавата ќе престане ако вратата се затвори или внатрешната температура се намали.
Водата останува во коритото и по завршувањето на циклусот.	<p>Одводното црево е превиткано или затнато.</p> <ul style="list-style-type: none"> Наместете го цревото или отстранете ја блокадата.
	<p>Водата може да остане ако напојувањето е изгубено пред нормалниот крај на циклусот или ако исклучувањето се прави рачно.</p> <ul style="list-style-type: none"> Повторно почнете.
Прскалките не ротираат слободно.	<p>Дупчињата на прскалките се затнати од храна.</p> <ul style="list-style-type: none"> Исчистете ги дупчињата на прскалките.
Искривена е горната полица.	<p>Полицата не е добро прилагодена.</p> <ul style="list-style-type: none"> Види го делот Прилагодлива висина на горната полица.
Не се вклучуваат светилките.	<p>Не е поврзана струјата.</p> <ul style="list-style-type: none"> Поврзете го напојувањето со струја.
Има голема количина на пена во апаратот.	<p>Не е употребуван правилен детергент кој е наменет само за машина за миење садови.</p> <ul style="list-style-type: none"> Употребувајте правилен детергент кој е наменет само за машина за миење садови.
	<p>Голема количина на пена може да се создаде и од преголемо количество на средство за плакнење.</p> <ul style="list-style-type: none"> Намалете го нивото на средство за плакнење во диспензерот.
Има остаток од детергент во диспензерот.	<p>Горната полица нема рамнотежа.</p> <ul style="list-style-type: none"> Прилагодете ја лево/десно висината на полицата.
	<p>Детергентот може да е заостанат доколку садовите се лошо наместени и спречуваат автоматско отворање на капакот од диспензерот.</p> <ul style="list-style-type: none"> Редете ги правилно садовите и секогаш сушете го диспензерот пред да додадете нов детергент за да не се создаде згрутчување.

Симптоми	Можни причини и Решение
Протекува вода од апаратот.	<p>Можно е вратата да не е затворена и апаратот да е навален. Во овој случај се појавува протекување.</p> <ul style="list-style-type: none"> • Проверете го нивелирањето со прилагодување на ногалката.
	<p>Погрешно монтирање на одводното црево може да предизвика протекување.</p> <ul style="list-style-type: none"> • Проверете го поврзувањето на одводното црево.
	<p>Ако е исклучена струјата, протекувањето може да е поради лошото поврзување со чешмата.</p> <ul style="list-style-type: none"> • Проверете го поврзувањето со доводното црево.

Перформанси

Симптоми	Можни причини и Решение
Замаглени стаклени садови	<p>Комбинација од вишок детергент и тврда вода</p> <ul style="list-style-type: none"> • Употребувајте помалку детергент и средство за плакнење. • Проверете ги подесувањата на системот за омекнување.
Црни или сиви дамки на садовите	<p>Триење на алуминиумски садови за време на циклусот</p> <ul style="list-style-type: none"> • Преместете ги садовите.
Жолта или кафеава облога во внатрешноста на апаратот	<p>Дамки од кафе или чај</p> <ul style="list-style-type: none"> • Исчистете ги дамките со употреба на производ за отстранување дамки.
Останува жолта вода во машината за миене садови.	<p>Кога првично го користите апаратот, жолта вода може да генерира во резервоарот за омекнување.</p> <ul style="list-style-type: none"> • Ова е нормално и не е опасно. Исчезнува за 1 - 3 циклуси.

Симптоми	Можни причини и Решение
Дамки и облоги на садовите	Погрешна количина на употребен детергент <ul style="list-style-type: none"> Употребувајте соодветна количина на детергент.
	Преполнување <ul style="list-style-type: none"> Не го преполнувајте апаратот.
	Несоодветно полнење <ul style="list-style-type: none"> Видете го делот РАБОТЕЊЕ.
	Недоволен притисок на водата <ul style="list-style-type: none"> Притисокот на водата треба да биде меѓу 0.05 - 0.6 МПа.
	Недоволна количина на детергент <ul style="list-style-type: none"> Додајте ја препорачаната количина на детергент. Видете го делот РАБОТЕЊЕ.
	Испразнет е диспензерот за помош при плакнење. <ul style="list-style-type: none"> Дополнете го.
	Има мала количина на сол или воопшто нема. <ul style="list-style-type: none"> Проверете дали има сол.
	Тврдоста на водата може е подесена на прениско ниво. <ul style="list-style-type: none"> Зголемете ја вредноста на нивото на тврдост.
	Можно е да нема доволно средство за плакнење. <ul style="list-style-type: none"> Дополнете или зголемете го нивото на диспензерот.
	Наслаги од бигор <ul style="list-style-type: none"> Отстранете ги од апаратот сите садови, кошницата за прибор за јадење и држачот за кошницата. Треба да останат само полиците. За најдобри резултати употребете лимонска киселина во прав (може да се најде во супермаркетите или онлајн). Измерете 3 лажици (45 g). Наполнете го делот за детергент со измерената количина. Ако не можете да најдете цитрусна киселина, истурете околу 3/4 - 1 1/4 чаша (200 - 300 mL) бел оцет во плиток сад и поставете го на горната полица. Изберете го циклусот Auto (Автоматски). Не ставајте детергент. Кога ќе заврши циклусот, повторно пуштете го.

Симптоми	Можни причини и Решение
Миризма	<p>Претходниот циклус бил заповед пред завршувањето и сè уште има заостаната вода во апаратот.</p> <ul style="list-style-type: none"> Вклучете го апаратот, пуштете ја опцијата Cancel (Откажи) за да ја отстраните водата, потоа пуштете го циклусот Turbo (Турбо) заедно со детергент, но на празен апарат.
	<p>Има храна на дното на апаратот или во филтерот.</p> <ul style="list-style-type: none"> Исчистете го филтерот и внатрешноста според делот од упатството ОДРЖУВАЊЕ.
	<p>Долго време се оставени неизмиени садови.</p> <ul style="list-style-type: none"> Пуштете ја машината со една чаша оцет или длабока чинија сместена на горната полица. (Оцетот е киселина и со редовна употреба може да се оштети апаратот.)
На садовите останала нечистотија од храна.	<p>Несоодветен избор на циклус</p> <ul style="list-style-type: none"> Изберете соодветен циклус врз основа на нивото на валканост на садовите.
	<p>Температурата на водата е прениска.</p> <ul style="list-style-type: none"> Проверете го поврзувањето со доводното црево или подесувањата на греењето на водата.
	<p>Не е употребен детергент за миење.</p> <ul style="list-style-type: none"> Употребете препорачан детергент.
	<p>Низок доведен притисок</p> <ul style="list-style-type: none"> Притисокот на водата треба да биде меѓу 0.05 - 0.6 MPa.
	<p>Затнати се дупчињата на прскалките.</p> <ul style="list-style-type: none"> Исчистете ги.
	<p>Несоодветно полнење на садовите.</p> <ul style="list-style-type: none"> Осигурајте се дека садовите не го блокираат ротирањето на прскалките и не му пречат на диспензерот за детергент.
	<p>Затнати се филтрите.</p> <ul style="list-style-type: none"> Исчистете ги филтрите.
	<p>Премногу неизмиена храна од садовите.</p> <ul style="list-style-type: none"> Големата количина на остатоци од храна треба да се отстрани од садовите пред да ги ставите во машина.

Сушење

Симптоми	Можни причини и Решение
Не се сушат садовите.	Испразнет е диспензерот за средство за плакнење. <ul style="list-style-type: none"> Проверете го и наполнете го доколку е испразнет. За подобри резултати на сушење, малку отворете ја вратата по завршувањето со миење.
	Таблетите можеби не содржат средство за плакнење. Тоа ќе го намали сушењето. <ul style="list-style-type: none"> Земете таблети кои содржат и средство за плакнење (контактирајте го производителот ако не сте сигурни). Или, можете да ставите средство за плакнење во диспензерот.
	Избран е циклус без опцијата Extra Dry (Екстра суво). <ul style="list-style-type: none"> Изберете циклус кој стандардно ја има опцијата Extra Dry (Екстра суво).

Wi-Fi

Симптоми	Можни причини и Решение
Вашиот куќен апарат и смартфонот не се поврзани со Wi-Fi мрежата.	Лозинката за Wi-Fi на коешто се обидувате да се поврзете, е неточна. <ul style="list-style-type: none"> Пронајдете Wi-Fi мрежа поврзана со вашиот паметен телефон и отстранете ја, потоа регистрирајте го апаратот на LG ThinQ.
	Мобилниот интернет за вашиот паметен телефон е вклучен. <ul style="list-style-type: none"> Исклучете го мобилниот интернет на вашиот паметен телефон и регистрирајте го апаратот, користејќи ја Wi-Fi мрежата.
	Името на безжичната мрежа (SSID), не е правилно поставено. <ul style="list-style-type: none"> Името на безжичната мрежа (SSID) треба да биде комбинација од англиски букви и броеви. (Не користете ги специјалните карактери).
	Фреквенцијата на рутерот не е 2,4 GHz. <ul style="list-style-type: none"> Поддржана е само 2,4 GHz фреквенција на рутерот. Поставете го безжичниот рутер на 2,4 GHz и поврзете го апаратот со безжичниот рутер. За да ја проверите фреквенцијата на рутерот, проверете кај вашиот снабдувач на интернет услуги, или кај производителот на рутерот.
	Преголемо е растојанието помеѓу апаратот и рутерот. <ul style="list-style-type: none"> Ако е преголемо растојанието помеѓу апаратот и рутерот, сигналот може да биде слаб и конекцијата може да не биде правилно конфигурирана. Променете ја локацијата на рутерот, за да биде поблиску до апаратот.

ДОДАТОК

Налепница за производот

Регултива на Комисијата (ЕУ) бр. 2019/2017

Име на добавувачот или трговски знак: LG Electronics Inc

Адреса на добавувачот*²: LG Electronics European Shared Service Centre B.V., Krijgsman 1, 1186 DM Amstelveen, Холандија

*1 за еко програмата.

*2 промените на овие работи нема да се сметаат како релевантни за намерите на Став 4 од Член 4 од Регултивата (ЕУ) 2017/1369.

Идентификатор на модел: DF425***

Општи параметри на производот:

Параметар	Вреднос т	Параметар	Вреднос т	
Номинален капацитет* ¹ (PS)	14	Димензија во см	Висина	85
			Ширина	60
			Длабочина	60
ЕЕI* ¹	49,9	Енергетска класа* ¹	D	
Индекс на перформанси од чистење* ¹	1,13	Индекс на перформанси од сушење* ¹	1,07	
Потрошувачка на електрична енергија во kWh [од циклус], врз основа на еколошката програма со употреба на ладна вода. Реалната потрошувачка на електрична енергија зависи од тоа како се употребува апаратот.	0,849	Потрошувачката на вода во литри [од циклус], врз основа на еколошката програма. Реалната потрошувачка на вода зависи од тоа како се употребува апаратот и од тврдоста на водата.	9,5	
Времетраење на програма* ¹ (ч:мин)	03:13	Тип	Самостоечка	
Емисии на бучава што се пренесуваат преку воздухот* ¹ (dB(A) re 1 pW)	41	Класа на емисии на бучава што се пренесуваат преку воздухот* ¹	B	
Исклучен режим (W)	0,49	Режим на подготвеност (W)	0,49	
Одложен старт (W) (ако е применливо)	3,99	Подготвеност на мрежа (W) (ако е применливо)	1,99	

Параметар	Вреднос т	Параметар	Вреднос т
Минимално времетраење на гаранцијата понудена од добавувачот *2: 2 години			
Дополнителни информации: www.lg.com			

Идентификатор на модел: DF325***

Општи параметри на производот:

Параметар	Вредност	Параметар	Вредно ст	
Номинален капацитет ^{*1} (PS)	14	Димензија во cm	Висина	85
			Ширина	60
			Длабочина	60
ЕЕI ^{*1}	55,9	Енергетска класа ^{*1}	Е	
Индекс на перформанси од чистење ^{*1}	1,13	Индекс на перформанси од сушење ^{*1}	1,07	
Потрошувачка на електрична енергија во kWh [од циклус], врз основа на еколошката програма со употреба на ладна вода. Реалната потрошувачка на електрична енергија зависи од тоа како се употребува апаратот.	0,951	Потрошувачката на вода во литри [од циклус], врз основа на еколошката програма. Реалната потрошувачка на вода зависи од тоа како се употребува апаратот и од тврдоста на водата.	9,5	
Времетраење на програма ^{*1} (ч:мин)	03:48	Тип	Самосто ечка	
Емисии на бучава што се пренесуваат преку воздухот ^{*1} (dB(A) re 1 pW)	42	Класа на емисии на бучава што се пренесуваат преку воздухот ^{*1}	В	
Исклучен режим (W)	0,26	Режим на подготвеност (W)	0,26	
Одложен старт (W) (ако е применливо)	3,99	Подготвеност на мрежа (W) (ако е применливо)	1,99	
Минимално времетраење на гаранцијата понудена од добавувачот^{*2}: 2 години				
Дополнителни информации: www.lg.com				

Идентификатор на модел: DF325**

Општи параметри на производот:

Параметар	Вредност	Параметар	Вредно ст	
Номинален капацитет* ¹ (PS)	14	Димензија во cm	Висина	85
			Ширина	60
			Длабочина	60
ЕЕI* ¹	55,9	Енергетска класа* ¹	Е	
Индекс на перформанси од чистење* ¹	1,13	Индекс на перформанси од сушење* ¹	1,07	
Потрошувачка на електрична енергија во kWh [од циклус], врз основа на еколошката програма со употреба на ладна вода. Реалната потрошувачка на електрична енергија зависи од тоа како се употребува апаратот.	0,951	Потрошувачката на вода во литри [од циклус], врз основа на еколошката програма. Реалната потрошувачка на вода зависи од тоа како се употребува апаратот и од тврдоста на водата.	9,5	
Времетраење на програма* ¹ (ч:мин)	03:48	Тип	Самосто ечка	
Емисии на бучава што се пренесуваат преку воздухот* ¹ (dB(A) re 1 pW)	44	Класа на емисии на бучава што се пренесуваат преку воздухот* ¹	В	
Исклучен режим (W)	0,26	Режим на подготвеност (W)	0,26	
Одложен старт (W) (ако е применливо)	3,99	Подготвеност на мрежа (W) (ако е применливо)	1,99	
Минимално времетраење на гаранцијата понудена од добавувачот*²: 2 години				
Дополнителни информации: www.lg.com				

Регултива на Комисијата (ЕУ) бр. 1059/2010

Име на производителот и трговски знак	LG			
	DF425***	DF325***	DF325**	
Ознака на модел на набавувач	DF425***	DF325***	DF325**	
Номинален капацитет, во стандардни подесувања, за стандарден циклус на чистење	14			СП
Енергетска класа	A+++	A++	A++	
Доделена „ЕУ еколошка ознака“ согласно регулативата (ЕЦ) бр. 66/2010	бр.			
Потрошувачка на енергија „X“ kWh годишно, врз основа на 280 стандардни циклуси на миење со употреба на ладна вода и потрошувачка на режимите на мала моќност. Точната потрошувачка на енергија ќе зависи од тоа како се користи апаратот.	237	266	266	kWh годишно
Потрошувачката на енергија (Et) од стандардниот циклус на миење	0,83	0,944	0,944	kWh
Потрошувачката на енергија во исклучен режим	0,49	0,26	0,26	W
Потрошувачката на енергија во режимот „left-on“ (вклучено)	0,49	0,26	0,26	W
Потрошувачка на вода „X“ литри годишно, врз основа на 280 стандардни циклуси на миење. Точната потрошувачка на вода ќе зависи од тоа како се користи апаратот.	2700			литри/годишно
Класа на ефикасност на сушење „X“ на скала од G (најниска ефикасност) до A (највисока ефикасност)	A			
„Есо“ е стандардниот циклус на миење на кој податоците на налепницата или каталогот се однесуваат на тоа дека оваа програма е соодветна за миење на нормално валкани садови и е најефикасна во однос на комбинираната потрошувачка на енергија и на вода.				
Време на програмата за стандарден циклус на чистење	193	228	228	мин
Времетраење на режимот за вклучено (TI)	1			мин
Емисии на бучава што се пренесуваат преку воздухот	41	42	44	dB(A)
Самостоечка				

PODRĘCZNIK OBSŁUGI

ZMYWARKA



Przed rozpoczęciem montażu należy uważnie przeczytać niniejszą Instrukcję. Uprości to montaż i zapewni jego prawidłowość i bezpieczeństwo. Po zakończeniu montażu instrukcję należy przechowywać w pobliżu urządzenia, aby móc skorzystać z niej w przyszłości.

POLSKI

DF425*** / DF325*** / DF325**

SPIS TREŚCI

Zamieszczone w instrukcji ilustracje lub treści mogą różnić się w zależności od modelu posiadanego przez użytkownika.

Niniejszy podręcznik może podlegać zmianom wprowadzanym przez producenta.

INSTRUKCJE BEZPIECZEŃSTWA

PRZED UŻYCIEM NALEŻY ZAPOZNAĆ SIĘ ZE WSZYSTKIMI INSTRUKCJAMI. 4	
OŚWIADCZENIA OSTRZEGAWCZE	4
OŚWIADCZENIA DOTYCZĄCE OSTROŻNOŚCI	10
TROSKA O ŚRODOWISKO	12

MONTAŻ

Części i specyfikacja	13
Przygotowanie wnęki w szafce	15
Poziomowanie urządzenia	18
Instalacja węża odpływowego	19
Przygotowanie wody i połączeń elektrycznych	20
Kontrola końcowa	21

UŻYTKOWANIE

Przed użyciem	23
Informacje ogólne dotyczące użytkowania	26
Panel sterowania	29
Cykle zmywania	30
Opcje i funkcje dodatkowe	31
Tabela programów	34
Informacje dotyczące testu	41
Wkładanie naczyń do zmywarki	42
Dodawanie środków czyszczących	48
Uzupełnianie poziomu nabłyszczacza i soli	50
Przydatne wskazówki	50

FUNKCJE SMART

Aplikacja LG ThinQ	52
Smart Diagnosis	54

KONSERWACJA

Czyszczenie i pielęgnacja	56
---------------------------------	----

ROZWIĄZYWANIE PROBLEMÓW

Zanim zadzwonisz do centrum serwisowego.....60

ZAŁĄCZNIK

Karta produktu67

INSTRUKCJE BEZPIECZEŃSTWA

PRZED UŻYCIEM NALEŻY ZAPOZNAĆ SIĘ ZE WSZYSTKIMI INSTRUKCJAMI

Poniższe wytyczne dotyczące bezpieczeństwa mają za zadanie zapobiegać nieprzewidzianym zagrożeniom i uszkodzeniom wynikającym z nieprawidłowej lub niezgodnej z zasadami bezpieczeństwa obsługi urządzenia.

Wytyczne podzielono na kategorie „OSTRZEŻENIE” oraz „PRZESTROGA” opisane poniżej.

Komunikaty dotyczące bezpieczeństwa



Ten symbol jest wyświetlany w celu wskazania problemów i czynności, które mogą powodować ryzyko.

Aby uniknąć ryzyka, należy uważnie przeczytać tekst oznaczony tym symbolem i postępować zgodnie z instrukcjami.



OSTRZEŻENIE

Wskazuje, że nieprzestrzeganie instrukcji może powodować poważne obrażenia lub śmierć.



PRZESTROGA

Wskazuje, że nieprzestrzeganie instrukcji może powodować lekkie obrażenia lub uszkodzenia produktu.

OŚWIADCZENIA OSTRZEGAWCZE



OSTRZEŻENIE

- Aby zmniejszyć ryzyko eksplozji, pożaru, śmierci, porażenia elektrycznego, obrażeń lub poparzenia osób podczas używania produktu, należy przestrzegać środków ostrożności obejmujących poniższe:
-

Bezpieczeństwo techniczne

- To urządzenie nie jest przeznaczone do użytkowania przez osoby (łącznie z dziećmi) o ograniczonej sprawności fizycznej, sensorycznej czy umysłowej, lub którym brak doświadczenia i wiedzy, chyba że są one nadzorowane bądź instruowane w zakresie użytkowania urządzenia przez osobę odpowiedzialną za ich bezpieczeństwo. Dzieci powinny znajdować się pod nadzorem w celu zapewnienia, że nie bawią się urządzeniem.
- Należy przestrzegać informacji podanych w specyfikacjach odnośnie do maksymalnej liczby naczyń przeznaczonych do zmywania w zmywarce.
- Ciśnienie wody musi wynosić od 0,05 do 0,6 MPa.

Montaż

- Nie wolno podejmować prób używania urządzenia, jeśli jest ono uszkodzone, częściowo zdemontowane, działa nieprawidłowo lub jeśli stwierdzono brak lub uszkodzenie jego części, w tym uszkodzenie przewodu lub wtyczki.
- Jeśli przewód zasilania jest uszkodzony lub gniazdko zasilania jest poluzowane, nie należy korzystać z przewodu i należy skontaktować się z autoryzowanym centrum serwisowym.
- Nie modyfikować przewodu zasilającego dostarczonego wraz z urządzeniem. W przypadku braku zgodności przewodu należy skontaktować się z centrum obsługi klienta LG.
- Urządzenie musi w bezpieczny sposób być transportowane przez dwoje lub większą liczbę osób.
- Nie instalować urządzenia w wilgotnym i zakurzonej miejscu. Nie instalować i nie przechowywać urządzenia poza budynkami lub w miejscu narażonym na działanie warunków atmosferycznych, takich jak promienie słońca, wiatr lub deszcz oraz temperatury poniżej zera stopni Celsjusza.
- Podczas podłączania pralki do sieci elektrycznej nie należy stosować rozgałęźników, przedłużaczy czy adapterów.

- Przed rozpoczęciem instalacji lub serwisowania urządzenia należy odłączyć przewód zasilający, bezpiecznik instalacji domowej lub wyłącznik nadprądowy.
- Aby przenieść lub zainstalować urządzenie w innym miejscu, należy skontaktować się telefonicznie z wykwalifikowanymi pracownikami zajmującymi się instalacją i serwisem.
- Dobrze przymocować wąż odpływowy.
- Urządzenie nie jest przeznaczone do stosowania w warunkach morskich ani w instalacjach ruchomych, takich jak samoloty, samochody i przyczepy kempingowe itp.
- Urządzenie musi zostać umieszczone w pobliżu źródła zasilania prądem elektrycznym.
- Podczas instalacji lub przenoszenia urządzenia należy dołożyć wszelkich starań, aby nie przedziurawić, zmiażdżyć ani nie uszkodzić przewodu zasilającego.
- Należy zainstalować nowy zestaw węży dołączony do urządzenia. Zamontowanie zużytych węży może doprowadzić do wycieku i zalania mieszkania.
- Niewłaściwe podłączenie przewodu uziemiającego urządzenie może skutkować porażeniem elektrycznym. W przypadku wątpliwości co do poprawności uziemienia urządzenia należy skontaktować się z wykwalifikowanym elektrykiem lub pracownikiem serwisu.
- Urządzenie musi zostać uziemione. W przypadku uszkodzenia lub awarii urządzenia uziemienie posłuży jako droga odprowadzenia prądu o najmniejszym oporze, redukując ryzyko porażenia elektrycznego.
- Urządzenie jest wyposażone w przewód zasilający z żyłą uziemiającą oraz uziemioną wtyczką. Wtyczka musi być podłączona do odpowiedniego gniazdka, które jest poprawnie zainstalowane i uziemione zgodnie z lokalnymi przepisami i normami.
- Po zainstalowaniu urządzenia i przed umieszczeniem go we wnęce w szafce należy sprawdzić, czy nie dochodzi do wycieku wody na złączach węży.
- Nie uszkadzać i nie umieszczać ciężkich przedmiotów na przewodzie zasilającym urządzenia.

- Urządzenie przeznaczone jest wyłącznie do użytku domowego i nie należy go stosować do celów komercyjnych.
- Zmywarka podłączona na stałe: urządzenie musi być podłączone do uziemionej, stałej, metalowej instalacji elektrycznej lub przewód uziemiający urządzenie musi być poprowadzony wraz z przewodami obwodu i podłączony do zacisku uziemiającego urządzenia lub musi prowadzić do urządzenia.
- Podłączyć przewód uziemiający do zielonego złącza uziemiającego w skrzynce zaciskowej.

Działanie

- W przypadku stwierdzenia dziwnego dźwięku, zapachu lub dymu wydobywającego się z urządzenia należy niezwłocznie odłączyć przewód zasilający i skontaktować się z centrum obsługi klienta LG Electronics.
- Nie należy podejmować prób naprawy lub wymiany jakichkolwiek elementów urządzenia. Wszelkie naprawy i prace serwisowe muszą być wykonywane przez wykwalifikowanych pracowników serwisu, chyba że w Instrukcji zamieszczono inne zalecenia. Należy stosować tylko części zamienne zatwierdzone przez producenta pralki.
- Nie należy pozostawiać drzwi urządzenia otwartych. Dzieci mogą zawisnąć na drzwiach lub wczołgać się do środka, co spowoduje szkody lub obrażenia ciała.
- Nie należy stosować palnych gazów ani substancji wybuchowych (takich jak benzen, benzyna, rozcieńczalnik, ropa naftowa, alkohol itp.) w pobliżu produktu.
- Nie należy podejmować prób demontażu jakichkolwiek paneli ani samego urządzenia. Do obsługi panelu sterowania nie należy używać żadnych ostrych przedmiotów.
- Nie należy nadmiernie zaginać przewodu zasilania ani stawiać na nim ciężkich przedmiotów.
- Nie należy wkładać do urządzenia zwierząt.
- Nie wolno dotykać wtyczki ani elementów sterujących urządzeniem mokrymi rękami.

- Jeśli wystąpi wyciek gazu (izobutanu, propanu, gazu ziemnego itp.), nie należy dotykać urządzenia ani wtyczki zasilania. Należy za to natychmiast przewietrzyć pomieszczenie.
- W przypadku zalania pomieszczenia odłączyć przewód zasilający i skontaktować się z centrum obsługi klienta LG Electronics.
- W określonych warunkach w instalacji wody ciepłej, z której nie korzystano przez co najmniej dwa tygodnie, może dojść do gromadzenia się wodoru. WODÓR JEST GAZEM WYBUCHOWYM. Jeżeli z instalacji wody ciepłej nie korzystano przez wskazany okres, przed skorzystaniem z urządzenia należy odkręcić wszystkie krany z ciepłą wodą i pozwolić wodzie płynąć przez kilka minut. Dzięki temu nagromadzony wodór zostanie uwolniony. Ponieważ wodór jest gazem palnym, podczas przeprowadzania tej procedury nie należy palić lub używać otwartego ognia.
- Obszar pod urządzeniem i wokół niego powinien być wolny od łatwopalnych materiałów, takich jak kłaczki, papier, szmaty, chemikalia itp.
- Niektóre detergenty do zmywarek są silnie zasadowe. W przypadku połknięcia mogą stanowić bardzo duże zagrożenie dla organizmu. Unikać kontaktu detergentów ze skórą i oczami oraz nie dopuszczać dzieci w pobliże zmywarki, gdy jej drzwi są otwarte. Po zakończeniu cyklu zmywania sprawdzić, czy zbiornik na detergent jest pusty.
- Nie używać urządzenia, jeżeli panele obudowy nie są prawidłowo zainstalowane.
- Stosować wyłącznie detergenty lub środki zwilżające przeznaczone do stosowania w urządzeniu i przechowywać je poza zasięgiem dzieci.
- Nie myć i nie suszyć przedmiotów namoczonych w substancjach wybuchowych, takich jak benzyna, rozpuszczalniki lub detergenty rozpuszczalnikowe.
- Podczas umieszczania przedmiotów w zmywarce:
 - Oddzielić ostre przedmioty, aby zmniejszyć ryzyko uszkodzenia uszczelek drzwi.
 - Włożyć ostre noże trzonkiem do góry, aby zmniejszyć ryzyko skaleczeń.

- Nie myć przedmiotów z tworzywa sztucznego, jeżeli nie posiadają one oznaczeń informujących o możliwości zmywania w zmywarce. W przypadku przedmiotów z tworzywa sztucznego pozbawionych odpowiednich oznaczeń należy sprawdzić zalecenia producenta.
- Nie dotykać odsłoniętych elementów grzewczych w trakcie lub bezpośrednio po zakończeniu użytkowania urządzenia.
- Nie siadać i nie stawać na drzwiach zmywarki lub na koszu na naczynia oraz nie używać ich niezgodnie z ich przeznaczeniem.
- Po zakończeniu zmywania naczyń zakręcić kran. Przed rozpoczęciem czyszczenia ponownie odkręcić kran i sprawdzić stan podłączenia dopływu wody.
- Nie otwierać drzwi podczas pracy urządzenia. Może to prowadzić do wytrysnięcia wody i narażenia na poślizgnięcie się.
- Należy uważać, aby nie przytrzasnąć dłoni podczas zamykania drzwi urządzenia.
- Nie myć i nie suszyć przedmiotów namoczonych w substancjach wybuchowych, takich jak benzyna, rozpuszczalniki lub detergenty rozpuszczalnikowe.
- Unikać kontaktu z ujściem generatora pary.
- Niewielkie części, takie jak zaczepy kosza lub elementy mocujące filtr, mogą spowodować zadławienie, jeżeli zostaną usunięte ze zmywarki i połknięte przez małe dzieci. Należy je przechowywać poza zasięgiem małych dzieci.
- Noże i inne ostro zakończone sztuczce muszą być umieszczone w koszyku ostrymi końcami do dołu lub ułożone w pozycji poziomej.
- Nie pozostawiać otwartych drzwi, ponieważ może to prowadzić do potknięcia się.

Konserwacja

- Nie wolno odłączać wtyczki z gniazdka, ciągnąc za przewód zasilający. Należy zawsze mocno trzymać wtyczkę i ruchem do siebie wyciągnąć ją z gniazda.
- Po całkowitym wytarciu wilgoci i kurzu ostrożnie włożyć wtyczkę do gniazda.

- W celu wyczyszczenia urządzenia nie należy spryskiwać go wodą wewnątrz ani na zewnątrz.
- Przed rozpoczęciem czyszczenia pralkę należy odłączyć od zasilania. Ustawienie przełącznika w pozycję WYŁĄCZONA nie powoduje odłączenia pralki od zasilania.

Utylizacja

- Przed wyrzuceniem starego urządzenia należy odłączyć je od zasilania. Należy odciąć kabel bezpośrednio za urządzeniem, aby uniemożliwić niepożądane użycie.
- Opakowania (np. worki plastikowe i styropian) należy zutylizować w sposób, który nie narazi dzieci na kontakt z nimi. Materiały opakowaniowe mogą doprowadzić do uduszenia się.
- Przed zakończeniem eksploatacji lub przekazaniem do utylizacji należy zdemontować drzwi, aby zapobiec ryzyku, że w środku uwięzione zostanie dziecko lub niewielkie zwierzę.

OŚWIADCZENIA DOTYCZĄCE OSTROŻNOŚCI

UWAGA

- Aby zmniejszyć ryzyko wystąpienia pożaru, porażenia elektrycznego oraz obrażeń ciała podczas korzystania z urządzenia, należy przestrzegać podstawowych zaleceń dotyczących bezpieczeństwa, w tym przedstawionych poniżej:
-

Montaż

- Urządzenie należy instalować na stabilnym i równym podłożu.
- Nie umieszczać węża odpływowego pod zmywarką podczas instalacji.

Działanie

- Jeżeli urządzenie nie będzie używane przez dłuższy czas, np. podczas wakacji, należy zakręcić kran i odłączyć urządzenie od zasilania.
- Nie umieszczać przedmiotów na urządzeniu.

- Nie przecierać i nie pokrywać powierzchni urządzenia detergentem w płynie lub wybielaczem (zawierającym chlor, nadwęglan sodu itp.). Niezastosowanie się do tych instrukcji może spowodować korozję lub odbarwienie powłoki.
- Nie dotykać wody odprowadzanej z urządzenia, ponieważ może ona być gorąca.
- Jeżeli wąż odpływowy i wąż doprowadzający wodę zamrzną podczas zimy, należy je odmrozić przed skorzystaniem z urządzenia.
- Nie umieszczać dłoni, stóp lub metalowych przedmiotów pod lub za urządzeniem.
- Nie zmywać naczyń zabrudzonych produktami chemicznymi, takimi jak oleje, kremy lub balsamy do masażu, pielęgnacji skóry lub golenia.

Konserwacja

- Jeżeli zewnętrzne części urządzenia zostaną zabrudzone olejem do gotowania, należy niezwłocznie wytrzeć zabrudzenie. Nie czyścić zewnętrznych części urządzenia za pomocą środków zawierających alkohol, rozcieńczalniki, wybielacz, benzen, płyny łatwopalne lub substancje ściernie. Mogą one powodować odbarwienia lub uszkodzenia urządzenia.

TROSKA O ŚRODOWISKO

Utylizacja starego urządzenia



- Symbol przekreślonego pojemnika na odpady na kółkach oznacza, że produkty elektryczne lub elektroniczne (WEEE) należy zutylizować poza obiegiem odpadów komunalnych.
- Stare produkty elektroniczne mogą zawierać niebezpieczne substancje. Właściwa utylizacja starego urządzenia pozwoli uniknąć potencjalnych negatywnych skutków dla środowiska i zdrowia. Stare urządzenie może zawierać części wielokrotnego użytku, które mogą zostać wykorzystane do naprawy innych produktów lub inne wartościowe materiały, które można przetworzyć, aby oszczędzać zasoby naturalne.
- Możesz zanieść urządzenie do sklepu, w którym zostało kupione, lub skontaktować się z lokalnym urzędem gospodarki odpadami, aby uzyskać informacje o najbliższym punkcie zbiórki WEEE. Aby uzyskać aktualne informacje z zakresu gospodarki odpadami obowiązującej w Twoim kraju, odwiedź stronę <http://www.lg.com/global/sustainability/environment/take-back-recycling/global-network-europe> (plik PDF: „For more information about how to recycle LG products in your country”).

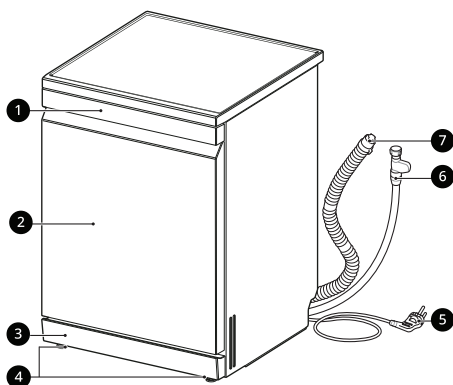
MONTAŻ

Części i specyfikacja

UWAGA

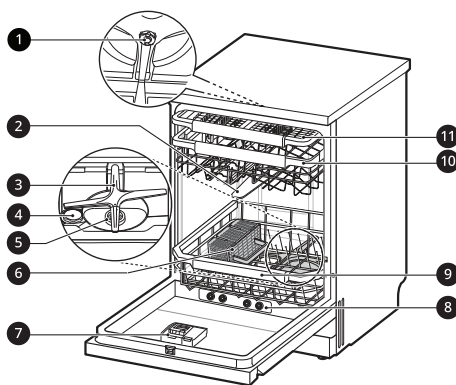
- Wygląd i dane techniczne mogą ulegać zmianom w celu poprawy jakości urządzenia.

Widok od przodu



- 1 Panel sterowania i uchwyt drzwi
- 2 Pokrywa przednia
- 3 Pokrywa dolna
- 4 Nóżka poziomująca
- 5 Przewód zasilający
- 6 Wąż doprowadzający wodę
- 7 Wąż odpływowy

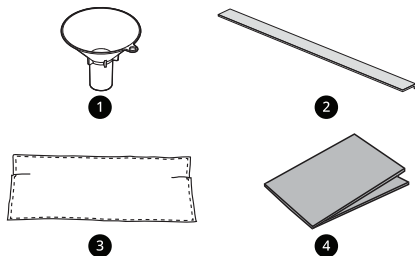
Widok wnętrza



- 1 Górny wentylator
- 2 Górne ramię zraszacza
- 3 Dolne ramię zraszacza
- 4 Nakrętka zbiornika na sól
- 5 System filtrujący
- 6 Koszyk na sztućce*1
- 7 Dozownik detergentu i nabłyszczacza
- 8 Dysza parowa*1
- 9 Dolny kosz
- 10 Górny kosz
- 11 Koszyk na sztućce*1

*1 Ta funkcja jest dostępna tylko w wybranych modelach.

Akcesoria



- 1 Lejek
- 2 Listwa ograniczająca hałas*1
- 3 Osłona filcowa
- 4 Taśma chroniąca przed wilgocią (taśma aluminiowa)

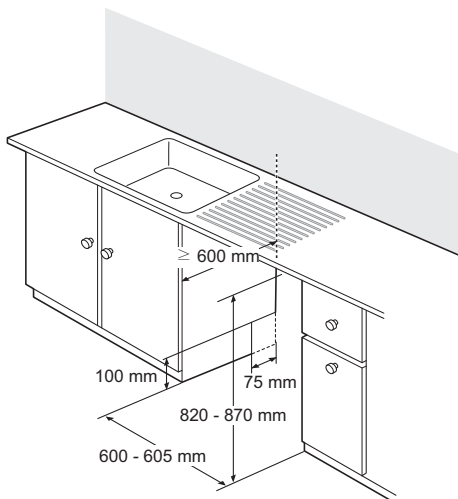
*1 Dostępne są następujące listwy ograniczające hałas: dolna - 1 EA, przednia - 1 EA, boczna - 2 EA

Dane techniczne

Model	DF325*** / DF325**	DF425***
Zasilanie	220 - 240 V~, 50 Hz	
Wymiary (Szerokość X Głębokość X Wysokość)	600 mm x 600 mm x 850 mm	
Waga produktu	Ok. 49 kg	Ok. 52 kg
Maks. pojemność	serwis na 14 osób	
Dopuszczalne ciśnienie wlotowe wody	0,05 - 0,6 MPa	
Zużycie energii	1600 - 1800 W	

Przygotowanie wnęki w szafce

Wybór prawidłowej lokalizacji

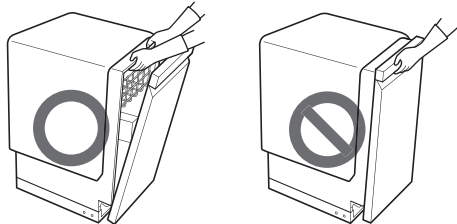


- Urządzenie należy zainstalować na płaskiej i stabilnej podłodze.
- Wyciąć otwory (o wymiarach około 100 mm x 75 mm) na węże i przewody elektryczne po dowolnej stronie.
- Wybrać miejsce jak najbliżej zlewu, aby ułatwić podłączenie do rur dopływu i odpływu wody.
- Aby zapewnić prawidłowy odpływ wody, urządzenie nie powinno być instalowane dalej niż 1 metr od zlewu.
- Jeżeli urządzenie jest instalowane w rogu, należy zapewnić odstęp wynoszący minimum 50 mm pomiędzy urządzeniem a przylegającą szafką lub ścianą.
- Przed wsunięciem urządzenia do wnęki instalacyjnej należy odpowiednio wyregulować jego wysokość za pomocą klucza.

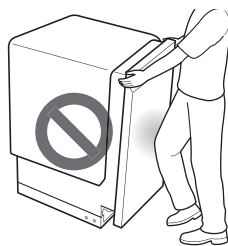
- Ostrożnie wsunąć zmywarkę do wnęki w szafce. Upewnić się, że wąż odpływowy znajdujący się za urządzeniem i w szafce nie jest splątany lub naciągnięty.
- Zainstalować urządzenie na płaskim i stabilnym podłożu. Nie umieszczać żadnych przedmiotów pomiędzy podłożem a podstawą lub nóżką urządzenia.

UWAGA

- Instalacja musi zostać przeprowadzona przez wykwalifikowanego pracownika serwisu, aby zapewnić jej prawidłowość.
- Nie wyciągać i nie podnosić urządzenia za uchwyt, w przeciwnym razie może dojść do uszkodzenia drzwi i zawiasów. Aby przenieść lub unieść urządzenie, otworzyć drzwi i chwycić korpus urządzenia oraz górną, przednią część komory zmywania.



- Nie popychać drzwi zmywarki kolanem.



▲ UWAGA

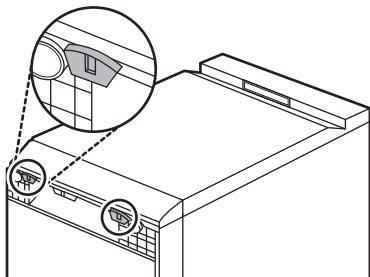
- Wszelkie surowe drewno znajdujące się w bezpośrednim otoczeniu urządzenia powinno zostać zabezpieczone za pomocą wodoodpornej farby lub środka uszczelniającego, aby zapobiec pęcznieniu.

Przytwierdzenie listwy do podstawy urządzenia

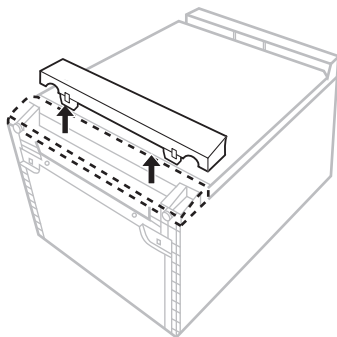
Aby ograniczyć hałas, należy przytwierdzić listwę do podstawy urządzenia.

16 MONTAŻ

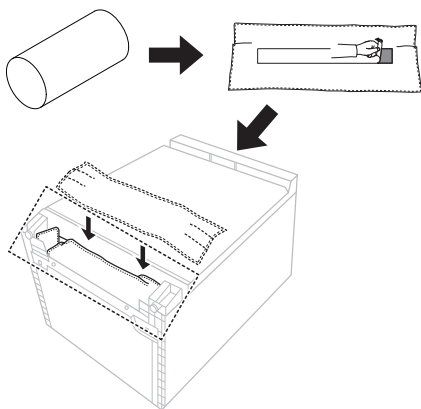
- 1** Ułożyć urządzenie i pociągnąć oba haczyki znajdujące się na spodzie pokrywy dolnej.



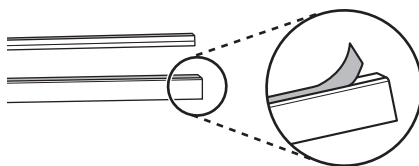
- 2** Pociągnąć pokrywę dolną, aby ją usunąć.



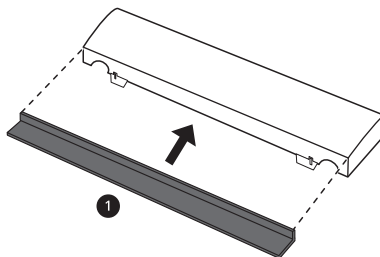
- 3** Usunąć zabezpieczającą dwustronnną taśmę z tyłu osłony filcowej i przymocować osłonę do przedniej części spodu urządzenia.



- 4** Usunąć zabezpieczającą dwustronnną taśmę na listwie dolnej i przedniej.

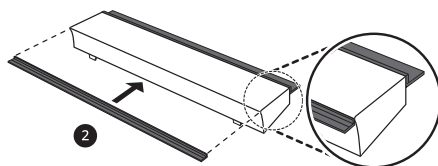


- 5** Przymocować czarną listwę dolną **1** do spodu pokrywy dolnej.

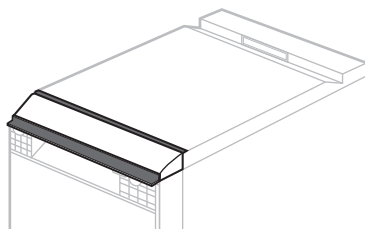


- 6** Przymocować czarną listwę przednią **2** do górnej części pokrywy dolnej.

- Listwa przednia jest dłuższa od pokrywy dolnej. Przymocować listwę przednią tak, aby wystające części po obu stronach pokrywy dolnej były równe.



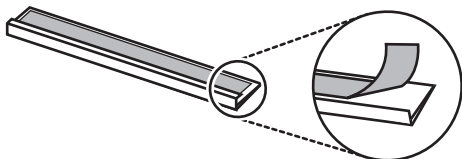
- 7** Przymocować pokrywę dolną wraz z listwą do urządzenia.



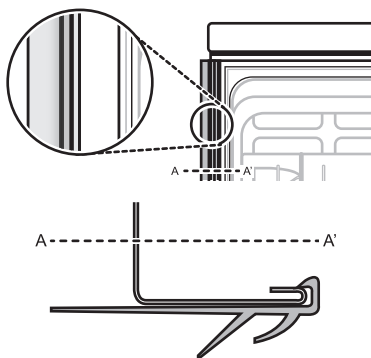
Przytwierdzenie listwy do boku urządzenia stykającego się z szafką

Aby ograniczyć hałas, należy przytwierdzić listwy do boków urządzenia stykających się z szafką, jeżeli pozwala na to dostępna przestrzeń we wnęce.

- 1 Usunąć zabezpieczającą dwustronną taśmę na listwach bocznych.



- 2 Przymocować listwę boczną do przedniej części boku urządzenia stykającego się z szafką, a następnie wcisnąć listwę boczną tak, aby dobrze przylegała do szafki.

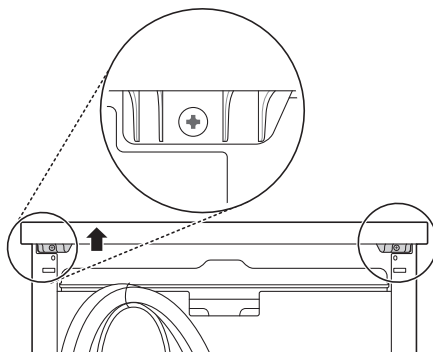


- 3 Powtórzyć powyższe kroki w celu przymocowania listwy bocznej do drugiego boku urządzenia stykającego się z szafką.

Usuwanie pokrywy górnej

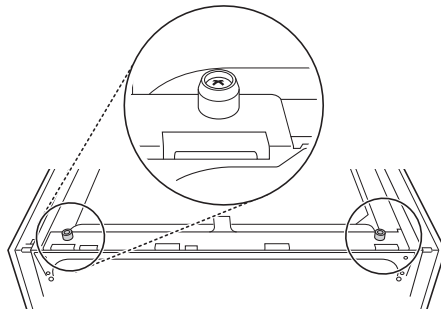
Jeżeli wysokość wnęki wynosi mniej niż 850 mm, należy postępować zgodnie z poniższymi instrukcjami.

- 1 Usunąć 2 śruby znajdujące się z tyłu.



- 2 Po usunięciu dwóch śrub odciągnąć pokrywę górną do tyłu, a następnie unieść ją i usunąć.

- 3 Za pomocą śrubokrętu krzyżakowego usunąć kołki ustalające znajdujące się u góry.



UWAGA

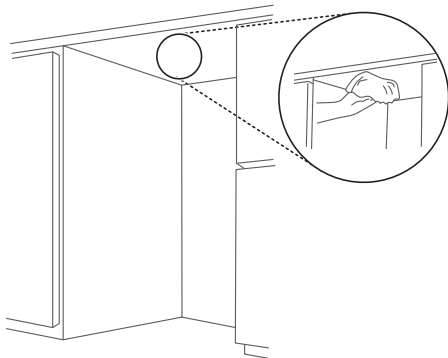
- Jeżeli urządzenie jest prawidłowo wypoziomowane, nie powinny występować problemy z przechyleniem, przywieraniem lub dźwiękiem tarcia towarzyszącym otwieraniu drzwi.

Instalacja taśmy chroniącej przed wilgocią

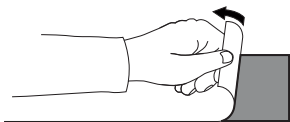
Jeżeli urządzenie zostanie zainstalowane bez pokrywy górnej, spód blatu może ulec uszkodzeniu pod wpływem pary lub wilgoci skraplającej się podczas otwierania drzwi.

- Aby zabezpieczyć blat przed wilgocią skraplającą się podczas otwierania drzwi, należy zainstalować taśmę chroniącą przed wilgocią pod spodem blatu.

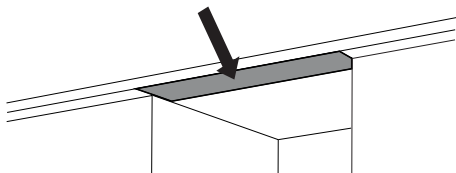
- 1 Wyczyścić i osuszyć spód blatu, do którego ma zostać przytwierdzona taśma.



- 2 Usunąć folię ochronną z taśmy.



- 3 Zamontować taśmę na spodzie blatu.



UWAGA

- Taśma chroniąca przed wilgocią znajduje się w torebce z akcesoriami do montażu ręcznego.
- Jeżeli blat jest wykonany z granitu lub wodoodpornych materiałów, instalacja taśmy chroniącej przed wilgocią nie jest wymagana.
- Wilgoć może się skraplać pod blatem lub wzdłuż jego przedniej krawędzi, gdy temperatura w pomieszczeniu jest niska.

Poziomowanie urządzenia

Sprawdzanie wypoziomowania

Wypoziomowanie urządzenia zapobiega niechcianemu hałasowi i wibracjom. Po zakończeniu instalacji należy sprawdzić, czy urządzenie zostało idealnie wypoziomowane.

- Jeśli urządzenie chwieje się w wyniku dociskania jego górnej powierzchni po przekątnej, należy ponownie wyregulować nóżki.

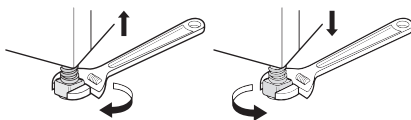
UWAGA

- Urządzenie nie jest wypoziomowane, jeżeli podczas otwierania drzwi słychać dźwięk tarcia lub jeżeli drzwi przywierają do urządzenia.

Regulacja i poziomowanie urządzenia

Jeżeli urządzenie nie jest idealnie wypoziomowane, należy obracać regulowane nóżki do momentu, gdy urządzenie przestanie się chwiać.

- Regulowane nóżki należy obracać w kierunku zgodnym z ruchem wskazówek zegara, aby unieść urządzenie do góry lub w kierunku przeciwnym do ruchu wskazówek zegara, aby obniżyć urządzenie od przodu do tyłu, od boku do boku i od rogu do rogu.

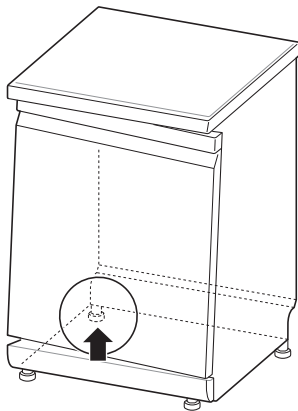


UWAGA

- Umieścić urządzenie na stałej, poziomej podłodze.
- Nie instalować urządzenia na podniesionej powierzchni.

Przypadek 1. Drzwi są przechylone w prawą stronę

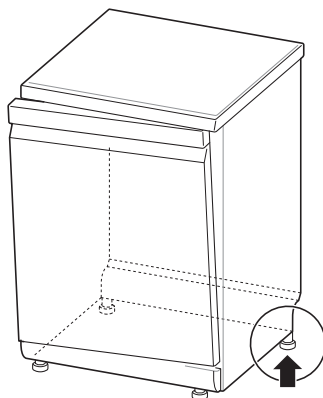
- 1 Odkręcić (w kierunku przeciwnym do ruchu wskazówek zegara) tylną lewą nóżkę i wyregulować wypoziomowanie.
- 2 Sprawdzić, czy drzwi otwierają się prawidłowo i w razie potrzeby powtórzyć powyższe czynności.



Przypadek 2. Drzwi są przechylone w lewą stronę

- 1 Odkręcić (w kierunku przeciwnym do ruchu wskazówek zegara) tylną prawą nóżkę i wyregulować wypoziomowanie.

- 2 Sprawdzić, czy drzwi otwierają się prawidłowo i w razie potrzeby powtórzyć powyższe czynności.



Instalacja węża odpływowego

Jeżeli końcówka węża odpływowego nie pasuje do rury odpływowej, należy użyć zestawu przedłużek do odpływu (opcjonalnie), które są odporne na działanie ciepła i detergentów.

- Zestawy takie można zakupić w sklepie hydraulicznym lub z narzędziami.

Podłączanie do króćca odpływu

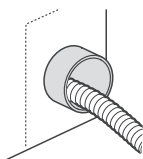
Przed pierwszą instalacją należy sprawdzić króciec odpływu. Jeżeli otwór w króćcu odpływu pod zlewem nie został odpowiednio wywiercony, na panelu urządzenia może się wyświetlić komunikat o błędzie UE. Aby podłączyć wąż odpływowy, należy wywiercić w króćcu odpływu otwór o średnicy co najmniej 15 mm.

⚠ UWAGA

- Należy upewnić się, że po zakończeniu wiercenia w króćcu nie pozostały żadne plastikowe odpadki.
- Nie używać śrubokrętu i młotka do poszerzenia otworu odpływowego. Powstałe odpadki mogą utknąć w otworze i spowodować awarię urządzenia.

⚠ UWAGA

- Podczas przeprowadzania węża przez otwory w szafce należy zachować ostrożność, ponieważ otwory te mogą mieć ostre krawędzie, które mogą uszkodzić wąż. Krawędzie otworów należy wygładzić lub wyszlifować, aby zapobiec uszkodzeniu węża odpływowego lub doprowadzającego wodę.



- Należy upewnić się, że wąż nie jest splątany lub mocno zagięty.

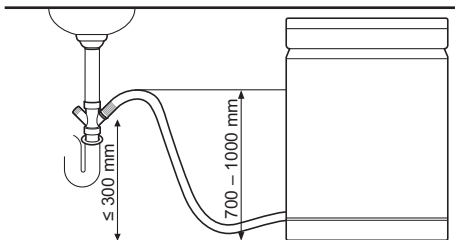


- Przed przeprowadzeniem końcówki węża odpływowego przez otwór dopływu wody należy upewnić się, że wąż odpływowy jest prosty.

Aby zapobiec problemom z funkcjonowaniem syfonu zlewozmywaka, należy zastosować jedną z poniższych metod.

Metoda 1

Po podłączeniu węża odpływowego do króćca odpływu należy go lekko wywinąć w kierunku spodu blatu i zabezpieczyć.

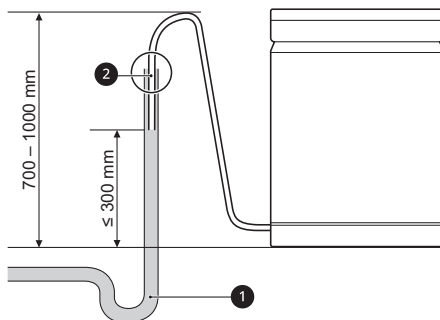


Metoda 2

Podczas podłączenia węża odpływowego do oddzielnej rury pionowej ①, należy zadbać o to, aby połączenie ② było hermetyczne. W

przeciwnym razie z syfonu mogą się wydobywać nieprzyjemne zapachy.

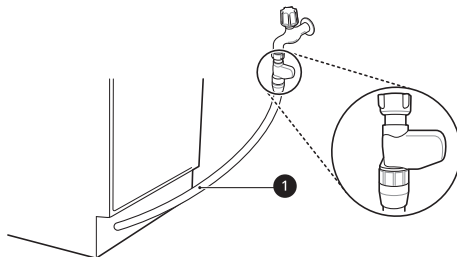
- Średnica rury pionowej musi być równa minimum 40 mm.



Przygotowanie wody i połączeń elektrycznych

Podłączanie węża do kranu

Podłączyć wąż doprowadzający wodę ① do kranu.

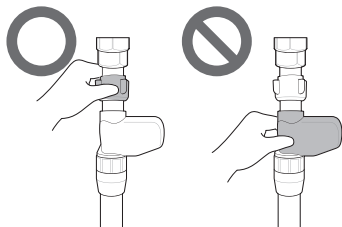


⚠ OSTRZEŻENIE

- Nie skracać i nie uszkadzać węża doprowadzającego wodę, ponieważ zawiera on przewody elektryczne i inne elementy. Nie można go odłączyć lub usunąć z urządzenia w celu przeprowadzenia instalacji.
- Nie wolno modyfikować, ciąć, rozkładać na części, naciągać lub splątywać węża doprowadzającego wodę. Wewnątrz węża znajdują się przewody elektryczne, które w razie uszkodzenia mogą spowodować spięcie lub porażenie prądem elektrycznym.

⚠ UWAGA

- Aby dokręcić węża doprowadzającego wodę do kranu, należy użyć jedynie nakrętki gwintowanej węża.
- Należy uważać, aby nie wygiąć i nie splątać węża doprowadzającego wodę podczas podłączania go do kranu.



- Do urządzenia może zostać doprowadzona zarówno ciepła, jak i zimna woda. Jeżeli temperatura doprowadzonej ciepłej wody nie może być utrzymana na poziomie niższym niż 65°C, wówczas urządzenie należy podłączyć do dopływu zimnej wody.
- Użyć taśmy lub środka uszczelniającego do zabezpieczenia głowicy kranu przed wyciekami wody.
- Należy upewnić się, że wąż nie jest splątany lub mocno zagięty.

UWAGA

- Przed podłączeniem węża doprowadzającego wodę do kranu należy odkręcić kran, aby wypłukać substancje (brud, piasek lub trociny), które mogły zgromadzić się w rurach. Pod kran podstawić wiadro na spływającą wodę.
- Po około 3-4 minutach woda jest wystarczająco czysta, aby być doprowadzana do urządzenia.

Wykonanie połączeń elektrycznych

Urządzenie należy podłączyć do uziemionego gniazda zgodnie z aktualnymi normami dotyczącymi instalacji elektrycznej. Instalacja powinna być chroniona przez wyłącznik

nadprądowy o prądzie znamionowym minimum 15 A lub przez bezpiecznik zwłoczny.

Okablowanie musi się składać z dwóch żył wraz z uziemieniem.

Przewód zasilający nie powinien być umieszczony za urządzeniem, ale w odległości od 1,2 m od boku urządzenia tak, aby wtyczka była łatwo dostępna.

⚠ OSTRZEŻENIE

- Ze względów bezpieczeństwa przed rozpoczęciem instalacji należy usunąć bezpiecznik, otworzyć wyłącznik nadprądowy lub odłączyć wtyczkę zasilającą urządzenia.
- Nie należy używać przedłużaczy ani podwójnych adapterów.
- Wtyczka musi być podłączona do odpowiedniego gniazda, które jest poprawnie zainstalowane i uziemione zgodnie z lokalnymi przepisami i normami.
- Naprawa urządzenia może być przeprowadzana wyłącznie przez wykwalifikowany personel. Naprawy przeprowadzane przez niedoświadczonych pracowników mogą skutkować obrażeniami ciała oraz poważnymi awariami sprzętu. W celu przeprowadzenia naprawy należy skontaktować się z lokalnym centrum serwisowym.
- Urządzenie należy podłączyć do obwodu elektrycznego o odpowiedniej obciążalności, wielkości i odpowiednio chronionego, aby zapobiec przeciążeniom.

Kontrola końcowa

Testowanie zmywarki

- 1 Włączyć zasilanie.
- 2 Odkręcić dopływ wody.
- 3 Jeżeli urządzenie zostało odpowiednio wypoziomowane, drzwi powinny się z łatwością otwierać i zamykać, nie wydając przy tym żadnych nieprzyjemnych dźwięków.

- 4 Uruchomić cykl **Rinse (Płukanie)**, aby sprawdzić, czy urządzenie działa prawidłowo i czy nie dochodzi do wycieków.

Kody błędów podczas kontroli końcowej

Kod błędu	Możliwa przyczyna i rozwiązanie
0E	<p>Wąż odpływowy jest splątany lub ściśnięty.</p> <ul style="list-style-type: none"> Przeciągnąć wąż odpływowego i doprowadzającego wodę przez otwór pod zlewem. Następnie stopniowo wsuwać zmywarkę do wnęki w szafce, jednocześnie ciągnąc węże poprowadzone pod zlewem. Dzięki temu węże nie ulegną splątaniu i nie zostaną przytrzaśnięte pod zmywarką. <p>Króciec odpływu pod zlewem jest zatkany.</p> <ul style="list-style-type: none"> Wydrążyć dziurę w króćcu odpływu pod zlewem.
1E	<p>Wąż doprowadzający wodę jest splątany pod zmywarką.</p> <ul style="list-style-type: none"> Przeciągnąć wąż odpływowego i doprowadzającego wodę przez otwór pod zlewem. Następnie stopniowo wsuwać zmywarkę do wnęki w szafce, jednocześnie ciągnąc węże poprowadzone pod zlewem. Dzięki temu węże nie ulegną splątaniu i nie zostaną przytrzaśnięte pod zmywarką. <p>Dopływ wody nie został odkręcony.</p> <ul style="list-style-type: none"> Odkręcić dopływ wody. Ciśnienie wody może być zbyt wysokie lub zbyt niskie.

UŻYTKOWANIE

Przed użyciem

Ten model jest wyposażony w system zmiękczenia twardej wody.

UWAGA

- Z urządzenia można korzystać bez zastosowania soli do zmywarek, jeżeli nie jest ona wymagana. W takim wypadku należy jednak ustawić poziom twardości wody na H0, aby ikona nie świeciła się.
- W celu zapewnienia efektywnego płukania naczyń urządzenie wymaga miękkiej wody, tj. wody ze śladowymi ilościami lub całkowicie pozbawionej kamienia. W przeciwnym razie na naczyniach i w urządzeniu pozostaną plamy z wody.
- Jeżeli twardość wody kranowej przekracza określony poziom, to woda ta musi zostać zmiękczona, czyli odwapniona. Efekt ten osiąga się poprzez dodanie soli do systemu zmiękczenia wody zastosowanego w urządzeniu. Ilość wymaganej soli jest ustalana zgodnie z poziomem twardości wody.

Sprawdzanie poziomu twardości wody

Metoda 1

- 1 Należy sprawdzić poziom twardości wody na zamieszkiwanym obszarze. W tym celu należy się skontaktować z przedsiębiorstwem wodociągowym.
- 2 Ustawić poziom zmiękczenia zgodnie z poziomem twardości wody.


Metoda 2

Poziom twardości wody można sprawdzić, posługując się w tym celu paskiem testowym dostarczonym wraz z urządzeniem.

- 1 Zanurzyć wszystkie strefy reakcyjne paska testowego w wodzie na około 1 sekundę. Nie zanurzać w bieżącej wodzie.

- 2 Strząsnąć nadmiar wody z paska i odczekać 1 minutę.
- 3 Sprawdzić kolor twardości wody na pasku i porównać z kolorami na opakowaniu.

Tabela twardości wody

Twardość wody							Poziom zmiękcza nia	Proporc ja*1
ppm	°d	°e	°f	mmol/l (Ca+Mg)	mg/l (Ca)	Zakres		
0	<4	<5	<7	<0,7	<29	Miękka	H0	-
75	4 - 7	5 - 9	7 - 13	0,7 - 1,3	29 - 50		H1	01:24
125	7 - 14	9 - 17,5	13 - 25	1,3 - 2,5	50 - 100		H2	1:7
250	14 - 21	17,5 - 26	25 - 38	2,5 - 3,8	100 - 150		H3	1:4
375	>21	>26	>38	>3,8	>150	Twarda	H4	2:1

*1 Liczba regeneracji zmiękczacza wody*2: Liczba cykli zmywania*3

*2 Regeneracja zmiękczacza wody odbywa się na zakończenie zmywania głównego zgodnie z programem **Eco**.

*3 Cykl zmywania składa się z 4 czynności (zmywanie wstępne, zmywanie główne, płukanie, płukanie z podgrzewaniem) zgodnie z programem **Eco**.

Konfiguracja systemu zmiękczenia wody

Aby uzyskać efektywne wyniki podczas zmywania, należy dostosować ustawienia do poziomu twardości doprowadzanej wody. System zmiękczenia wody obejmuje 5 poziomów. Zaprogramowany na etapie produkcji poziom twardości wody to H2. Domyślną wartość ustawienia można sprawdzić i wyregulować, wykonując następujące kroki:

1 Nacisnąć jednocześnie przycisk **Zasilanie i Half Load (Połowa wsadu)**.

- Wyświetlona zostanie bieżąca wartość ustawienia.


2 Nacisnąć przycisk **Delay Start (Opóźnienie startu)**, a następnie ustawić pożądaną wartość.

- Zakres ustawień wartości to od H0 do H4.


3 Nacisnąć przycisk **Start (Startu)**, aby zapisać ustawienia.

- Po zapisaniu ustawień urządzenie wyłączy się.

UWAGA

- Ikona **braku soli**  zaświeci się na wyświetlaczu, jeżeli w systemie zmiękczenia wody zabraknie soli.
- Jeżeli poziom twardości ustawiono na H0, pomimo braku soli nie zaświeci się żadna ikona.

Napełnianie zbiornika na sól

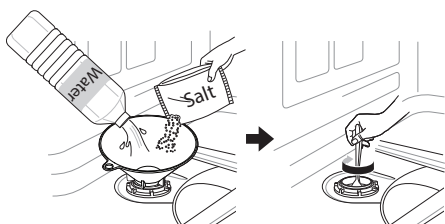
Dozownik soli musi zostać napełniony solą przed rozpoczęciem programu zmywania. W przypadku braku odpowiedniej ilości soli ikona **braku soli**  będzie pozostawać włączona na wyświetlaczu do momentu, gdy poziom twardości zostanie ustawiony na wartość H0.

UWAGA

- Po dodaniu soli do zmywarki należy natychmiast uruchomić cykl zmywania w celu usunięcia soli i

słonej wody, która może przedostać się do wnętrza komory zmywania i powodować korozję.

- 1 Usunąć dolny kosz i zdjąć nakrętkę z dozownika soli znajdującego się po lewej stronie filtrów.
- 2 Przed pierwszą eksploatacją urządzenia należy jednocześnie wsypać 1 kg soli i wlać 1 litr wody, aby skorzystać z systemu zmiękczenia wody. Do uzupełniania soli należy użyć lejka. Więcej informacji zawarto w rozdziale **Przed rozpoczęciem użytkowania**.



- 3 Ponownie nałożyć i mocno zakręcić nakrętkę.
- 4 Uruchomić cykl **Rinse (Płukanie)** bez wkładania naczyń do zmywarki.

Częstotliwość uzupełniania poziomu soli (1 kg przy każdym uzupełnieniu)

	H1	H2	H3	H4
Cykle	130	50	20	10

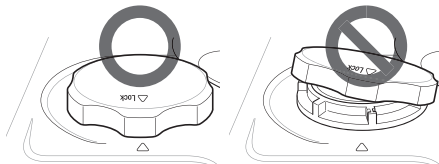
- Tabela przedstawia informacje dotyczące programu **Auto (Automatyczny)**
- Różne cykle mogą wymagać różnych ilości soli.

⚠ UWAGA

- Nie wlewać żadnych detergentów do dozownika soli. Spowoduje to awarię urządzenia.
- Wytrzeć rozsypaną sól wokół nakrętki dozownika soli. Przedostający się do wnętrza roztwór soli może powodować korozję w komorze i obciążać zmywarkę.
- Nałożyć nakrętkę, wyrównać w poziomie i zakręcić, obracając ją zgodnie z ruchem wskazówek zegara. Poluzowana nakrętka może

spowodować wyciek roztworu soli z dozownika soli do komory zmywania i doprowadzić do korozji.

- Po uzupełnieniu poziomu soli uruchomić program zmywania bez wkładania naczyń, ponieważ sól znajdująca się w urządzeniu może powodować rdzewienie lub uszkodzenia urządzenia, jeżeli pozostanie niezmyta.



UWAGA

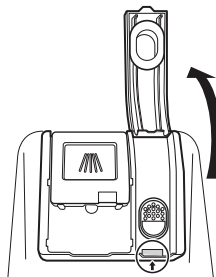
- Sól można zakupić u dystrybutorów soli do zmywarek.

Dodawanie nabłyszczacza

Wskaźnik **nabłyszczacza** wyświetli się, gdy będzie zachodził potrzeba dodania większej ilości nabłyszczacza.

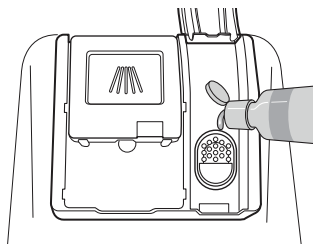
Zaleca się stosowanie nabłyszczacza w celu zapobiegnięcia powstawaniu plam z wody na naczyniach oraz poprawy efektywności suszenia.

- 1 Otworzyć pokrywę nabłyszczacza, unosząc klappkę.



- 2 Dodać nabłyszczacz w płynie do poziomu maksymalnego napełnienia. Należy zadbać o to, aby podczas nalewania nabłyszczacza nie powstawały bąbelki powietrza, ponieważ może

to mieć negatywny wpływ na efektywność suszenia.



- 3 Zamknąć pokrywę, aby zablokować dozownik. Nabłyszczacz jest automatycznie uwalniany podczas ostatniego cyklu płukania.

! UWAGA

- Zetrzeć rozlany nabłyszczacz, aby zapobiec powstawaniu mydlin.

UWAGA

- Do urządzenia wlewać tylko nabłyszczacz w płynie.
- Nie nalewać nabłyszczacza ponad maksymalny poziom dozownika.
- Zbyt duża lub zbyt mała ilość nabłyszczacza może mieć negatywny wpływ na wyniki suszenia.
- Jeżeli nabłyszczacz wydostaje się na zewnątrz dozownika, należy go wytrzeć. W przeciwnym razie może pojawić się piana zabrudzająca zmywarkę.

Ustawianie poziomu nabłyszczacza

Dozownik posiada pięć poziomów regulacji. Domyślnym programem jest poziom nabłyszczacza 2. Można go sprawdzić i zmienić, korzystając z przycisków na panelu sterowania.

- 1 Upewnić się, że urządzenie jest wyłączone.
- 2 Jednocześnie nacisnąć przycisk **Zasilanie** i **Dual Zone (Dwie strefy)**, aby sprawdzić bieżące ustawienie.

- 3 Nacisnąć przycisk **Delay Start (Opóźnienie startu)**, aby zmienić ustawienie dozownika nabłyszczacza. Każde naciśnięcie przycisku powoduje zmianę ustawienia o jeden stopień od L0 (wyłączony) do L4.

- 4 Po wybraniu pożądanego ustawienia dozownika nabłyszczacza nacisnąć przycisk **Start (Startu)**, aby zapisać.
 - Po zapisaniu ustawień urządzenie wyłączy się.

! UWAGA

- Jeżeli pokrywa nabłyszczacza nie jest prawidłowo zamknięta, duża ilość nabłyszczacza zostanie uwolniona do komory zmywania i spowoduje problemy ze zmywaniem.

UWAGA

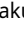

- Ikona **braku nabłyszczacza** ✨ włącza się, gdy wymagana jest większa ilość nabłyszczacza.
- Jeżeli po zmywaniu na naczyńkach szklanych widoczne są matowe plamy, zacieki lub ślady po wodzie, należy zwiększyć ustawiony poziom.
- Ustawienie zbyt wysokiego poziomu może prowadzić do powstawania piany, co negatywnie wpłynie na wyniki zmywania.
- Jeżeli na szkle występują smugi lub na dnie naczyń znajduje się piana, należy zmniejszyć ustawiony poziom.
- Ustawienie zbyt niskiego poziomu nabłyszczacza może prowadzić do powstawania plam i zacieków na naczyńkach oraz negatywnie wpłynąć na wyniki suszenia.

Informacje ogólne dotyczące użytkowania

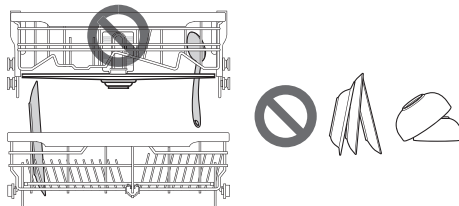
Korzystanie z urządzenia

- 1 Nacisnąć przycisk **Zasilanie**.
 - Urządzenie włączy się. Sprawdzić wskaźniki.

2 Sprawdzić, czy w urządzeniu znajduje się nabłyszczacz i sól.

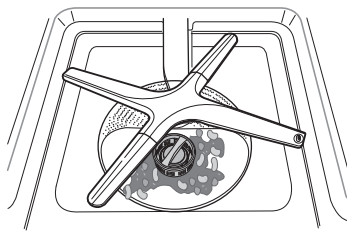
- Dodać nabłyszczacz i sól, jeżeli świecą się odpowiednie ikony. Aby uzyskać więcej informacji, należy zapoznać się z rozdziałem **Uzupełnianie poziomu nabłyszczacza i soli**.
-  : ikona braku soli
-  : ikona braku nabłyszczacza

- Nie układać naczyń jedno na drugim.



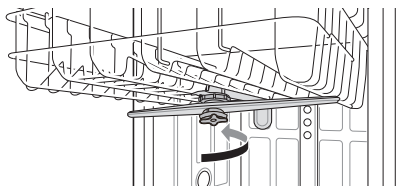
3 Otworzyć drzwi i sprawdzić filtry.

- Należy zawsze wyczyścić filtr po zakończeniu lub przed rozpoczęciem zmywania tak, aby zabrudzony filtr nie wpływał negatywnie na wyniki zmywania.



4 Sprawdzić, czy ramię zraszacza obraca się bez przeszkód.

- Sprawdzić, czy górne i dolne ramiona zraszacza obracają się prawidłowo. Jeżeli ramię zraszacza się nie obraca, wyjąć je i wyczyścić.

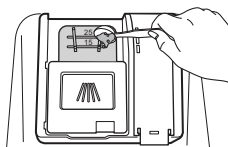


5 Włożyć naczynia do kosza.

- Sprawdzić, czy na drodze ramienia zraszacza nie znajdują się żadne naczynia lub przybory kuchenne.

6 Dodać odpowiednią ilość detergentu w proszku do dozownika.

- W przypadku korzystania z tabletek można je ułożyć bezpośrednio na spodzie komory zmywania lub w dolnej części drzwi wewnętrznych.



7 Ustawić i uruchomić program.

- Program zostanie automatycznie uruchomiony po 4 sekundach od wybrania dowolnego ustawienia.

⚠ OSTRZEŻENIE

- Nie wkładać żadnych przedmiotów do górnego kosza, jeżeli dolny kosz jest wyciągnięty i załadowany. W przeciwnym razie urządzenie może stracić równowagę i przewrócić się, powodując obrażenia ciała.
- Wsunąć górny kosz do końca.
- Opróżnić najpierw dolny, a następnie górny kosz. Dzięki temu woda z górnego kosza nie będzie ściekać na naczynia znajdujące się w dolnym koszu.
- Nie otwierać drzwi w trakcie pracy urządzenia lub tuż po zakończeniu cyklu zmywania, w przeciwnym razie para wydostająca się po otwarciu drzwi może spowodować oparzenia.

UWAGA

- Nigdy nie wlewać detergentu w płynie do urządzenia.

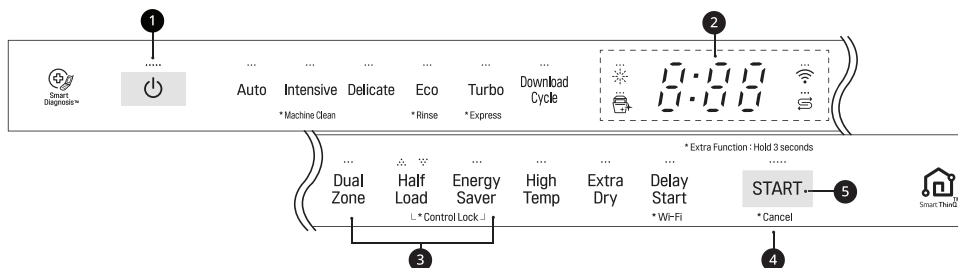
UWAGA

- Nie zaleca się ręcznego płukania naczyń przed uruchomieniem zmywarki, ponieważ może to powodować większe zużycie wody i energii.
 - Mycie zastawy stołowej w zmywarce domowej zwykle zużywa mniej energii i wody w fazie użytkowania niż zmywanie ręczne, gdy zmywarka do naczyń jest używana zgodnie z instrukcjami producenta.
-

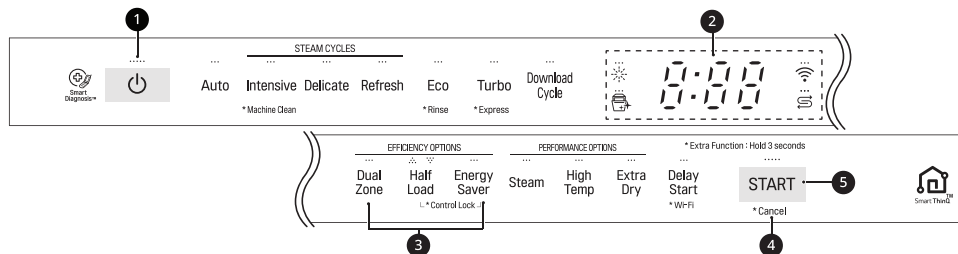
Panel sterowania

Funkcje panelu sterowania

Modele bez funkcji pary



Modele z funkcją pary



1 Zasilanie

- Nacisnąć przycisk **Zasilanie**, aby włączyć lub wyłączyć urządzenie.
- Z uwagi na bezpieczeństwo użytkowania i oszczędność energii po zakończeniu cyklu urządzenie wyłączy się automatycznie.
- W przypadku skoku napięcia, przerwy w dostawie prądu lub innych zakłóceń urządzenie wyłączy się automatycznie w celu zachowania bezpieczeństwa.
- Po wznowieniu zasilania prądem urządzenie włączy się automatycznie i wznowi działanie cyklu.

2 Wyświetlacz

- **8:88** : **Wyświetlacz cyfrowy**
 - Wyświetlacz cyfrowy na panelu sterowania pokazuje SZACOWANY czas trwania cyklu. Po wybraniu cyklu i opcji wyświetlacz pokaże całkowity szacowany czas do zakończenia wybranych funkcji. Podczas pracy urządzenia wyświetlacz pokazuje pozostały szacowany czas trwania cyklu.
 - Szacowany czas pokazany na wyświetlaczu nie uwzględnia opóźnień spowodowanych podgrzewaniem wody itp.
 - Jeżeli wybrano opcję **Delay Start (Opóźnienie startu)**, czas opóźnienia zostanie wyświetlony w godzinach.
 - Czas trwania cyklu **Auto (Automatyczny)** może się różnić w zależności od stopnia zabrudzenia wsadu.
- **☼** : **Ikona nabyliczaczka**

- Ta ikona zacznie migać, gdy poziom nablyszczacza będzie niski. Dioda LED wyłączy się automatycznie, gdy nablyszczacz zostanie uzupełniony lub jego poziom zostanie ustawiony na 0.

-  : **Ikona czyszczenia urządzenia**

- Ta ikona miga co 30 cykli.
- Aby aktywować lub dezaktywować ikonę, należy nacisnąć i przytrzymać przez 3 sekundy przycisk **Delicate (Delikatny)**.

-  : **Wi-Fi**

- Ta ikona świeci się, gdy urządzenie jest połączone z Internetem za pośrednictwem domowej sieci Wi-Fi.

-  : **Ikona braku soli**

- Ta ikona zacznie migać, gdy poziom soli będzie niski. Dioda LED wyłączy się automatycznie, gdy poziom soli zostanie uzupełniony.

3 Włączanie/wyłączanie sygnałów dźwiękowych

- Aby aktywować lub dezaktywować dźwięki przycisków, należy nacisnąć i przytrzymać przez 3 sekundy jednocześnie przycisk **Dual Zone (Dwie strefy)** i **Energy Saver (Energoozczędny)**. Dźwięk komunikatu o błędzie nie może zostać wyłączony.

4 Cancel (Anuluj)

- Pompa spustowa zostaje aktywowana a cykl zostaje anulowany. Po zakończeniu wypompowywania wody urządzenie wyłączy się.
- Nacisnąć i przytrzymać przez 3 sekundy przycisk **Start (Startu)**, aby aktywować funkcję anulowania.

5 Start (Startu)

- Aby rozpocząć pracę urządzenia, należy zamknąć drzwi i nacisnąć przycisk **Start (Startu)**.
- Jeżeli przycisk **Start (Startu)** nie zostanie naciśnięty w ciągu 4 minut w celu rozpoczęcia cyklu, urządzenie wyłączy się automatycznie.

Cykle zmywania

Automatyczny

Ten cykl wykrywa stopień zabrudzenia i czystość wody, a następnie optymalizuje zmywanie w celu osiągnięcia najwyższej efektywności. Czas zmywania może się różnić w zależności od stopnia zabrudzenia.

Intensive (Intensywny)

Ten cykl jest przeznaczony do zmywania mocno zabrudzonych naczyń oraz naczyń z zaschniętymi zabrudzeniami. Domyślnym ustawieniem cyklu jest zraszanie z najwyższą intensywnością w celu zmycia mocno zabrudzonych naczyń.

Delicate (Delikatny)

Ten cykl służy do zmywania delikatnych naczyń, takich jak porcelana i kieliszki.

Refresh (Odświeżanie)

Ten cykl służy do odświeżenia i podgrzania naczyń, które nie były używane przez dłuższy czas.

- Wybierając ten cykl, nie należy stosować detergentu.

Eco

Ten cykl zapewnia najwyższą oszczędność energii i wody przy jednoczesnym zapewnieniu dobrych

wyników zmywania i suszenia naczyń zabrudzonych w stopniu normalnym.

Turbo

Ten cykl służy do zmywania średnio zabrudzonych naczyń przy nieco wyższym zużyciu energii i wody.

- **Extra Dry (Suszenie dodatkowe):** ta opcja jest ustawiona domyślnie. Aby zrezygnować z suszenia naczyń po zmywaniu, należy wyłączyć opcję **Extra Dry (Suszenie dodatkowe)**. Rezygnacja z suszenia naczyń spowoduje skrócenie czasu trwania cyklu.

Download Cycle (Pobierz cykl)

Ta opcja pozwala skorzystać ze specjalnego cyklu pobranego za pośrednictwem sieci Wi-Fi lub technologii NFC (w zależności od modelu).

UWAGA

- Na urządzeniu wyświetli się jedynie kod aktualnie pobranego cyklu. Aby uzyskać więcej informacji o dostępnych cyklach, ich kodach i nazwach, należy zapoznać się z aplikacją na smartfony.
 - Domyślny cykl: P1. Garnki i patelnie

Machine Clean (Czyszczenie urządzenia)

Ten cykl jest przeznaczony do czyszczenia wnętrza urządzenia. Wybierając ten cykl, nie należy umieszczać naczyń w urządzeniu. Cykl ten służy do eliminacji zabrudzeń osadowych, nieprzyjemnych zapachów, białych plam, osadu wapiennego i innych zabrudzeń. Aby poprawić efektywność czyszczenia, należy dodać kwas cytrynowy lub inny środek do czyszczenia.

- Nacisnąć i przytrzymać przez 3 sekundy przycisk **Intensive (Intensywny)**, aby aktywować tę opcję.

Rinse (Płukanie)

Ten cykl służy jedynie do szybkiego płukania naczyń, które nie będą niezwłocznie zmywane. Cykl ten służy do płukania mocno zabrudzonych naczyń w celu namoczenia zaschniętych osadów. Płukanie naczyń pomaga zapobiec powstawaniu nieprzyjemnych zapachów w urządzeniu.

- Nacisnąć i przytrzymać przez 3 sekundy przycisk **Eco**, aby aktywować tę opcję.

UWAGA

- Wybierając tę opcję, nie należy stosować detergentu.
- Ten cykl nie obejmuje funkcji suszenia.

Express (Ekspresowy)

Ten cykl służy do szybkiego zmywania lekko zabrudzonych naczyń.

- Nacisnąć i przytrzymać przez 3 sekundy przycisk **Turbo**, aby aktywować tę opcję.

UWAGA

- Ten cykl nie obejmuje funkcji suszenia. Aby wysuszyć naczynia, należy wybrać opcję **Extra Dry (Suszenie dodatkowe)** lub inny cykl. Czas trwania opcji **Extra Dry (Suszenie dodatkowe)** zostanie dodany do całkowitego czasu cyklu.
- Nie zaleca się stosowania detergentów w tabletkach wraz z cyklem **Express (Ekspresowy)**. Jeżeli detergenty w tabletkach zostaną użyte, mogą doprowadzić do powstania osadów na naczyniach z powodu zastosowania względnie niskich temperatur podczas płukania.

Opcje i funkcje dodatkowe

Należy wybrać przycisk pożądanego cyklu, a następnie wybrać opcje dla danego cyklu. Aby uzyskać więcej informacji, należy zapoznać się z rozdziałem **Przewodnik po cyklach/opcjach**.

Dual Zone (Dwie strefy)

Ta opcja służy do automatycznego ustawiania intensywności zraszania: górne ramię zraszcza działa z niską intensywnością, a dolne ramię zraszcza z wysoką. Aby zapewnić najlepszą efektywność zmywania, mocno zabrudzone naczynia, takie jak talerze lub miski, należy umieścić w dolnym koszu, a lekko zabrudzone, takie jak filiżanki lub niewielkie talerze, w górnym koszu.

Half Load (Połowa wsadu)

Ta opcja zapewnia intensywne zmywanie wybranego dolnego lub górnego kosza. W przypadku niewielkiej ilości naczyń do zmycia należy włożyć je jedynie do dolnego lub górnego kosza, aby zaoszczędzić czas i energię. Po naciśnięciu przycisku **Half Load (Połowa wsadu)** dostępne ustawienia to: ∴ (Kosz górny), ∴∴ (Kosz dolny) oraz anulowanie tej opcji.

Energy Saver (Energooszczędny)

Ta opcja pozwala zaoszczędzić energię poprzez zmniejszenie temperatury zmywania i płukania. Czas zmywania ulega wydłużeniu w celu utrzymania wyników zmywania. Nie stosować tego cyklu do zmywania mocno zabrudzonych naczyń.

Steam (Para)

Ta opcja służy do dodania funkcji pary podczas trwania cyklu w celu poprawy wyników zmywania.

High Temp (Wysoka temperatura)

Ta opcja służy do podwyższenia temperatury zmywania głównego lub płukania z podgrzewaniem w celu poprawy efektywności czyszczenia.

- Jeżeli temperatura wewnątrz urządzenia jest wysoka, wyemitowany zostanie ostrzegawczy

sygnał dźwiękowy. Przed otwarciem drzwi należy odczekać, aż urządzenie całkowicie ostygnie.

Extra Dry (Suszenie dodatkowe)

Tę opcję należy wybrać w celu zwiększenia wyników suszenia. Opcja ta wydłuża czas suszenia w cyklu i zwiększa temperaturę płukania z podgrzewaniem.

- Jeżeli zbiornik na nabłyszczacz jest pusty, opcja ta zostanie wybrana automatycznie.

Delay Start (Opóźnienie startu)

Ta funkcja opóźnia rozpoczęcie wybranego cyklu. Każde naciśnięcie przycisku **Delay Start (Opóźnienie startu)** powoduje wydłużenie opóźnienia o jedną godzinę. Dostępne opcje ustawienia czasu opóźnienia to od 1 do 12 godzin w godzinowych odstępach.

- Aby anulować tę funkcję, należy wyłączyć urządzenie.
- Aby zmienić cykl i opcję cyklu, należy otworzyć drzwi, a następnie wybrać inny cykl i inną opcję cyklu. Odliczanie pozostałego czasu zostanie wznowione.

Control Lock (Blokada przycisków)

Ta funkcja uniemożliwia zmianę ustawień podczas trwania cyklu. Wybranie tej funkcji spowoduje blokadę wszystkich przycisków na panelu sterowania poza przyciskiem **Zasilanie**. Funkcja ta nie powoduje blokady drzwi.

- W przypadku modeli z zewnętrznym wyświetlaczem podczas trwania cyklu należy nacisnąć i przytrzymać przez 3 sekundy jednocześnie przycisk **Half Load (Połowa wsadu)** i **Energy Saver (Energooszczędny)**, aby aktywować lub dezaktywować tę funkcję. W przypadku modeli z ukrytym wyświetlaczem należy otworzyć drzwi podczas trwania cyklu i postępować zgodnie z instrukcjami opisanymi powyżej.
- Jeżeli funkcja ta jest aktywowana, na wyświetlaczu pojawi się kod **CL**.

- Aby rozpocząć nowy cykl, należy dezaktywować tę funkcję.
- Funkcję tę można ustawić w dowolnym momencie poprzez włączenie urządzenia.

Wi-Fi

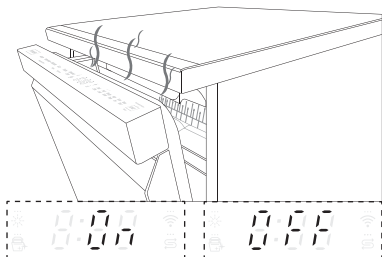
Aby połączyć się z siecią, należy nacisnąć i przytrzymać przez 3 sekundy przycisk **Delay Start (Opóźnienie startu)**. Aby uzyskać więcej informacji o tej funkcji, należy zapoznać się z rozdziałem **FUNKCJE SMART**.

Automatyczne otwarcie drzwi po wysuszeniu

Elementy te mogą się różnić zależnie od zakupionych modeli.

W celu zwiększenia wyników suszenia po zakończeniu programu, który obejmuje suszenie, drzwi zostaną automatycznie otwarte.

- Aby aktywować lub dezaktywować tę funkcję, należy nacisnąć i przytrzymać przez 3 sekundy jednocześnie przycisk **Energy Saver (Energooszczędny)** i **High Temp (Wysoka temperatura)**.
- Funkcja ta nie jest dostępna, jeżeli wybrano cykl **Machine Clean (Czyszczenie urządzenia)** i **Rinse (Płukanie)**.
- Jeżeli wybrano opcję **Download Cycle (Pobierz cykl)** z funkcji tej można skorzystać, nawet jeżeli została ona dezaktywowana, ponieważ opcja **Download Cycle (Pobierz cykl)** została opracowana z myślą o jak najlepszych wynikach niezależnie od ustawień urządzenia.
- Na wyświetlaczu można sprawdzić, czy funkcja ta jest włączona lub wyłączona.



⚠ OSTRZEŻENIE

- Nie dopuszczać dzieci w pobliże urządzenia podczas jego pracy. Kontakt z parą wodną o wysokiej temperaturze może powodować przypieczenia i oparzenia.

SignalLight™

Elementy te mogą się różnić zależnie od zakupionych modeli.

Opcja SignalLight™ informuje o stanie urządzenia, w tym o występujących problemach, prawidłowym działaniu lub gotowości do rozpoczęcia zmywania naczyń.

- W zależności od modelu dioda może znajdować się na przodzie urządzenia lub w górnej części drzwi.

Czerwona dioda (lewa)

Czerwona dioda zacznie migać, gdy wystąpi błąd. Aby uzyskać więcej informacji o błędzie, należy zapoznać się z częścią **Kod błędu** w rozdziale **ROZWIĄZYWANIE PROBLEMÓW**.

Biała dioda (środkowa)

Biała dioda zacznie migać po wybraniu opcji cyklu lub wstrzymaniu cyklu.

- Biała dioda będzie świecić się podczas trwania cyklu.

Zielona dioda (prawa)

Zielona dioda zaświeci się po zakończeniu cyklu. Po otworzeniu drzwi dioda zgaśnie.

- Jeżeli urządzenie nie wykryje otwarcia drzwi, dioda zgaśnie po 90 sekundach.

Tabela programów

Przewodnik po programach

Dla modeli DF425***

Program	Stopień zabrudzenia	Pranie		Płukanie		Dry (Suszenie)
		Pre-wash (Pranie wstępne)	Zmywanie główne	Płukanie	Płukanie z podgrzewaniem	
Auto (Automatyczny)	Wszystkie stopnie	●	● (65 - 70 °C)	●	● (62 °C) ^{*1} (70 °C) ^{*2}	●
Intensive (Intensywne)	Mocne	●	● (75 °C)	●	● (62 °C) ^{*1} (70 °C) ^{*2}	●
Delicate (Delikatny)	Lekkie	●	● (55 °C)	●	● (62 °C) ^{*1} (70 °C) ^{*2}	●
Refresh (Odświeżanie)^{*1}		●		●	● (62 °C) ^{*1} (75 °C) ^{*2}	●
Eco	Średnie	●	● (46 °C) ^{*1} (42 °C) ^{*2}	●	● (54 °C) ^{*1} (64 °C) ^{*2}	●
Turbo	Średnie	●	● (65 °C)	●	● (62 °C) ^{*1} (65 °C) ^{*2}	
Express (Ekspresowy)	Lekkie	●	● (45 °C)	●	● (62 °C) ^{*1} (60 °C) ^{*2}	
Rinse (Płukanie)	Lekkie			●		

Program	Stopień zabrudzenia	Pranie		Płukanie		Dry (Suszenie)
		Pre-wash (Pranie wstępne)	Zmywanie główne	Płukanie	Płukanie z podgrzewaniem	
Machine Clean (Czyszczenie urządzenia)		●	● (50 °C)	●	● (70 °C)	●

*1 Funkcja automatycznego otwarcia drzwi po wysuszeniu

*2 Funkcja automatycznego otwarcia drzwi po wysuszeniu jest wyłączona.

UWAGA

- Czas trwania może się różnić w zależności od temperatury wody i otoczenia oraz ciśnienia wody i napięcia.
- Informacja, że wartości podane dla programów innych niż program ekologiczny są jedynie orientacyjne.
- Jeżeli aktywowano funkcję **Automatyczne otwarcie drzwi po wysuszeniu**, temperatura płukania może się różnić.

Dla modeli DF325*** / DF325**

Program	Stopień zabrudzenia	Pranie		Płukanie		Dry (Suszenie)
		Pre-wash (Pranie wstępne)	Zmywanie główne	Płukanie	Płukanie z podgrzewaniem	
Auto (Automatyczny)	Wszystkie stopnie	●	● (65 - 70 °C)	●	● (70 °C)	●
Intensive (Intensywny)	Mocne	●	● (75 °C)	●	● (70 °C)	●
Delicate (Delikatny)	Lekkie	●	● (55 °C)	●	● (70 °C)	●
Refresh (Odświeżanie)*1		●		●	● (75 °C)	●
Eco	Średnie	●	● (42 °C)	●	● (64 °C)	●
Turbo	Średnie	●	● (65 °C)	●	● (65 °C)	
Express (Ekspresowy)	Lekkie	●	● (45 °C)	●	● (60 °C)	
Rinse (Płukanie)	Lekkie			●		
Machine Clean (Czyszczenie urządzenia)		●	● (50 °C)	●	● (70 °C)	●

*1 Modele z funkcją pary

UWAGA

- Czas trwania może się różnić w zależności od temperatury wody i otoczenia oraz ciśnienia wody i napięcia.
- Informacja, że wartości podane dla programów innych niż program ekologiczny są jedynie orientacyjne.

Rozporządzenie dla Europy (dla modeli DF425***)

Program	Zużycie wody*1	Zużycie energii (kWh)*1	Czas trwania (min)*1
Auto (Automatyczny)	12,9	0,91 - 0,97	162
Intensive (Intensywny)	23,1	1,60	185
Delicate (Delikatny)	16,5	1,07	124
Eco	9,5	0,85	193
Refresh (Odświeżanie)	10,0	0,76	120
Turbo	18,5	0,84	78
Express (Ekspresowy)	9,6	0,58	56
Rinse (Płukanie)	6,6	0,01	18
Machine Clean (Czyszczenie urządzenia)	12	0,78	83

*1 Funkcja automatycznego otwarcia drzwi po wysuszeniu

UWAGA

- ※ Podane dane mogą się różnić w zależności od indywidualnych warunków użycia.

Rozporządzenie dla Europy (dla modeli DF325*** / DF325**)

Program	Zużycie wody	Zużycie energii (kWh)	Czas trwania (min)
Auto (Automatyczny)	13,1	1,08 - 1,17	195
Intensive (Intensywny)	23,9	1,76	185
Delicate (Delikatny)	16,8	1,14	124
Eco	9,5	0,95	228
Refresh (Odświeżanie) ^{*1}	9,8	0,78	66
Turbo	18,8	0,87	59
Express (Ekspresowy)	12,4	0,61	38
Rinse (Płukanie)	6,5	0,01	18
Machine Clean (Czyszczenie urządzenia)	12,1	0,75	83

*1 Modele z funkcją pary

UWAGA

- ※ Podane dane mogą się różnić w zależności od indywidualnych warunków użycia.

UWAGA

- Rozporządzenie (UE) 2019/2022 mające zastosowanie od 1 marca 2021 dotyczy klas efektywności energetycznej zgodnych z Rozporządzeniem (UE) 2019/2017.
- Zeskanowanie kodu QR znajdującego się na etykiecie energetycznej dołączonej do urządzenia spowoduje przejście na stronę bazy danych EU EPREL z informacjami dotyczącymi wydajności urządzenia. Należy zachować etykietę energetyczną oraz podręcznik użytkownika i pozostałą dokumentację dołączoną do urządzenia w celach informacyjnych.
- Nazwa modelu znajduje się na etykiecie znamionowej urządzenia. Otwórz drzwi i spójrz na prawą stronę drzwi.
- Informacje te są dostępne w bazie EPREL pod adresem <https://eprel.ec.europa.eu>, gdzie należy wyszukać model według nazwy (mają zastosowanie od 1 marca 2021)

Dostępne opcje

UWAGA

- Opcja **Energy Saver (Energooszczędny)** nie jest dostępna, jeżeli aktywowano opcję **High Temp (Wysoka temperatura)** lub **Extra Dry (Suszenie dodatkowe)**.
- Opcję **Delay Start (Opóźnienie startu)** można wybrać dla każdego programu zmywania podanego w tabeli.

Modele bez funkcji pary

Program	Dual Zone (Dwie strefy)	Half Load (Połowa wsadu)	Energy Saver (Energooszcz ędny)	High Temp (Wysoka temperatura)	Extra Dry (Suszenie dodatkowe)
Auto (Automatycz ny)	●	●	●	●	●
Intensive (Intensywny)	●	●		●	●
Delicate (Delikatny)		●	●		●
Eco	●	●	●	●	●
Turbo	●			●	●
Express (Ekspresowy)	●			●	●
Rinse (Płukanie)					
Machine Clean (Czyszczenie urządzenia)					
Download Cycle (Pobierz cykl)					

Modele z funkcją pary

Program	Dual Zone (Dwie strefy)	Half Load (Połowa wsadu)	Energy Saver (Energooszczędny)	Steam (Para)	High Temp (Wysoka temperatura)	Extra Dry (Suszenie dodatkowe)
Auto (Automatyczny)	●	●	●	●	●	●
Intensive (Intensywny)	●	●		●	●	●
Delicate (Delikatny)		●	●	●		●
Refresh (Odświeżanie)				●		●
Eco	●	●	●	●	●	●
Turbo	●			●	●	●
Express (Ekspresowy)	●				●	●
Rinse (Płukanie)						
Machine Clean (Czyszczenie urządzenia)						
Download Cycle (Pobierz cykl)						

Informacje dotyczące testu

Modele z funkcją automatycznego otwarcia drzwi po wysuszeniu

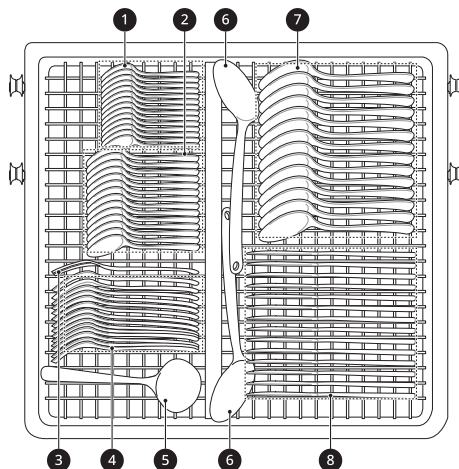
- Pojemność: serwis na 14 osób
- Porównywalny program: **Eco**
- Ustawienie nablyszczacza: L4
- Użyty środek czyszczący: 22 g detergentu wyspanego do dozownika.
- Pozycja górnego kosza z regulacją wysokości: środkowa
- Funkcja **Automatyczne otwarcie drzwi po wysuszeniu**: włączona
- Typ filtra: ręczny

Modele bez funkcji automatycznego otwarcia drzwi po wysuszeniu

- Pojemność: serwis na 14 osób
- Porównywalny program: **Eco**
- Ustawienie nablyszczacza: L4
- Użyty środek czyszczący: 22 g detergentu wyspanego do dozownika.
- Pozycja górnego kosza z regulacją wysokości: środkowa
- Typ filtra: ręczny

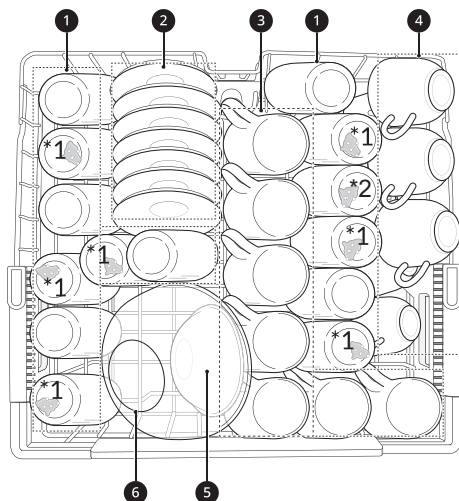
Umieszczanie naczyń

Koszyk na sztućce



- 1 Łyżeczki do herbaty (bez zabrudzeń)
- 2 Łyżeczki do deserów (bez zabrudzeń)
- 3 Widelec do serwowania potraw (bez zabrudzeń)
- 4 Widelce (Jajko)
- 5 Chochła (bez zabrudzeń)
- 6 Łyżki do serwowania potraw (bez zabrudzeń)
- 7 Łyżki do zupy (płatki Owsiane)
 - Co druga łyżka do zupy jest zabrudzona.
- 8 Noże (bez zabrudzeń)

Górny kosz



1 Szklanki (mleko)

*1 7 szklanek pobudzonych mlekiem.

*2 Szklanka do mleka EN60704-2-3: 2020

2 Spodki (czarna herbata)

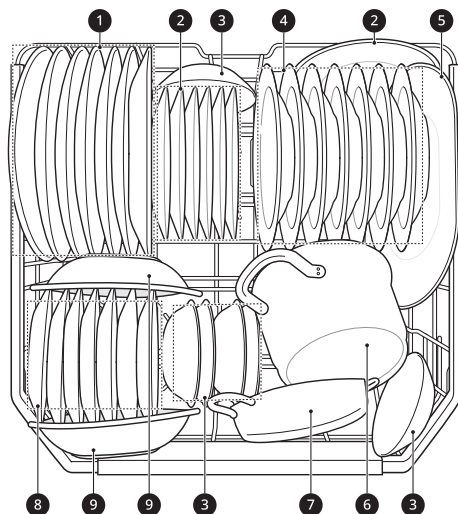
3 Kubki (czarna herbata)

4 Filiżanki (czarna herbata)

5 Miska deserowa (płatki owsiane)

6 Miska szklana (mięso)

Dolny kosz



1 Talerze obiadowe (jajka)

2 Talerze deserowe z melaminy (jajko)

3 Miski deserowe (płatki owsiane)

4 Talerze do zupy (płatki owsiane)

5 Półmisek owalny (mięso)

6 Mały garnek (szpinak + margaryna)

7 Naczynie do pieczenia (mięso)

8 Talerzyki deserowe (szpinak)

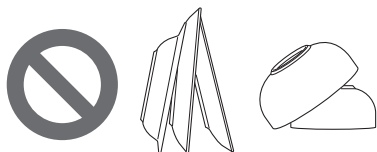
9 Miski z melaminy (margaryna)

Wkładanie naczyń do zmywarki

W celu zapewnienia najlepszych wyników zmywania należy zawsze przestrzegać poniższych instrukcji.

- Przed włożeniem do zmywarki usunąć z talerzy duże resztki jedzenia, w tym kości itp. Jeżeli talerze nie mają zostać niezwłocznie zmyte, należy je zawsze przepłukać przed włożeniem do zmywarki.
- Przypalone naczynia namoczyć w wodzie przed włożeniem do zmywarki.

- Głębokie naczynia ułożyć spodem do góry.
- Efektywność suszenia jest niższa w przypadku przedmiotów z tworzywa sztucznego w porównaniu do przedmiotów wykonanych z innych materiałów.
- Upewnić się, że przedmioty nie stykają się ze sobą.



Przedmioty nienadające się do zmywania w zmywarce

Zmywanie w wodzie o wysokiej temperaturze w połączeniu z zastosowanymi detergentami może spowodować uszkodzenia pewnych przedmiotów. Nie myć w zmywarce poniższych przedmiotów.

- Przedmioty wykonane z miedzi lub anodowanego aluminium
- Naczynia stołowe z ręcznie malowanymi srebrnymi lub złotymi zdobieniami
- Przybory kuchenne z uchwytami z drewna lub rogu
- Przybory kuchenne z żelaza lub materiałów podatnych na korozję
- Przedmioty z tworzywa sztucznego nieprzeznaczone do mycia w zmywarce
- Kosztowne przedmioty, takie jak srebra stołowe lub naczynia ze złotymi obwódkami
- Delikatne przedmioty, takie jak kryształowe naczynia szklane

UWAGA

- Nie umieszczać w urządzeniu garnków lub patelni z uchwytami z tworzywa sztucznego, ponieważ mogą one ulec zniszczeniu pod wpływem ciepła i detergentu.
- Ślady po wodoodpornej lub długotrwałej szmince na naczyniach szklanych mogą nie zostać usunięte podczas zmywania.

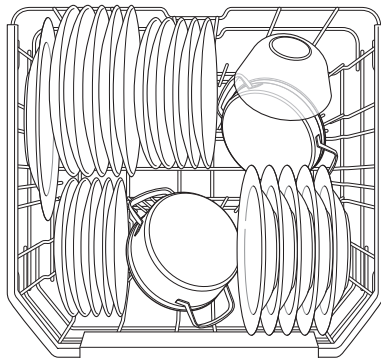
Wkładanie naczyń do dolnego kosza

Codzienna eksploatacja

Do dolnego kosza można włożyć talerze obiadowe, talerze głębokie, zastawę stołową, garnki, patelnie, pokrywy, a nawet tace do grillowania.

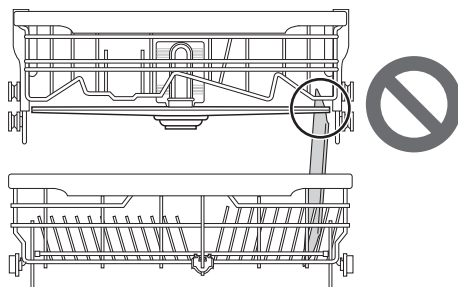
Talerze należy układać pionowo tak, aby były zwrócone w stronę środka kosza. Garnki, patelnie i duże naczynia należy wkładać spodem do góry.

Aby ułatwić wkładanie większych naczyń, przedni rząd podpórek można złożyć.



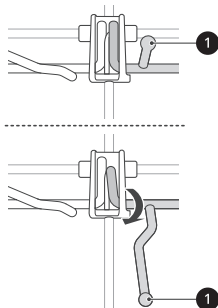
UWAGA

- Ramiona zraszacza nie mogą być blokowane przez naczynia, które są zbyt wysokie lub zwisają przez kosze. Należy sprawdzić swobodę ruchu ramion zraszacza obracając je ręcznie.



Składanie podpórek kosza

Aby włożyć większe naczynia, należy złożyć podpórki. Aby włożyć mniejsze naczynia, należy ustawić podpórki do pionu.



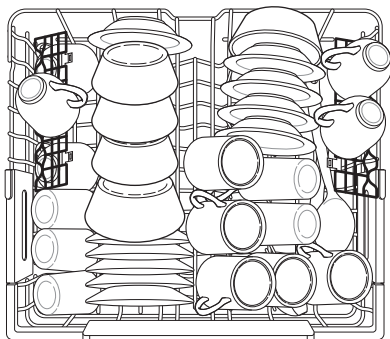
Wkładanie naczyń do górnego kosza

Codzienna eksploatacja

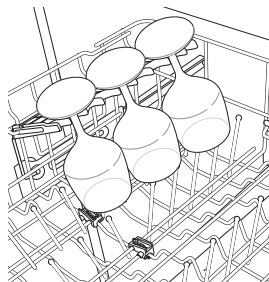
Do górnego kosza można włożyć delikatne przedmioty, takie jak małe talerze, długie sztucce, filiżanki, naczynia szklane i przedmioty z tworzywa sztucznego przeznaczone do mycia w zmywarkach.

Filiżanki, naczynia szklane i miski muszą być umieszczone spodem do góry.

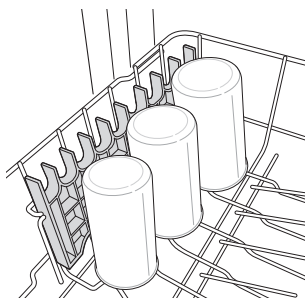
Talerze należy umieścić pionowo.



Półki na filiżanki zapewniają odpowiednie wsparcie dla kieliszków z długimi nóżkami.

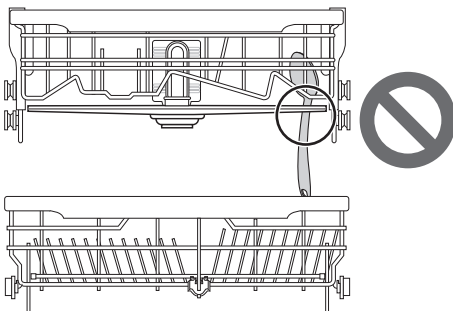


Lewy rząd przegródek lub półki na filiżanki można złożyć w celu ustawienia wysokich naczyń.



⚠ UWAGA

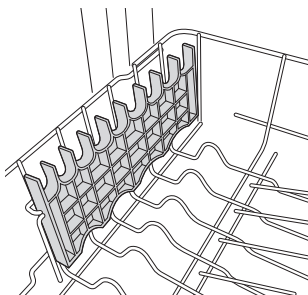
- Ramiona zraszacza nie mogą być blokowane przez naczynia, które są zbyt wysokie lub zwisają przez kosze. Należy sprawdzić swobodę ruchu ramion zraszacza obracając je ręcznie.



Usuwanie i mocowanie półek na filiżanki

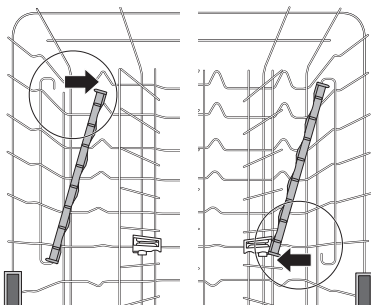
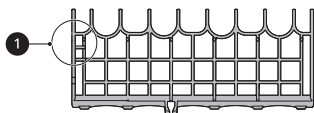
Lewe i prawe półki na filiżanki można zamienić miejscami lub usunąć.

- 1 Ustawić półkę na filiżanki w pozycji złożonej.

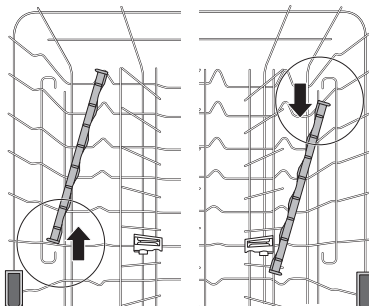


- 2 Znaleźć miejsce przymocowania ❶ półki na filiżanki i zdecydowanym ruchem zdjęć półkę z pręta podtrzymującego.

- Lewą półkę usunąć począwszy od boku znajdującego się w tylnej części urządzenia a prawą półkę od boku w przedniej części urządzenia.



- 3 Wysunąć półkę na filiżanki z pręta podtrzymującego po przeciwnej stronie.

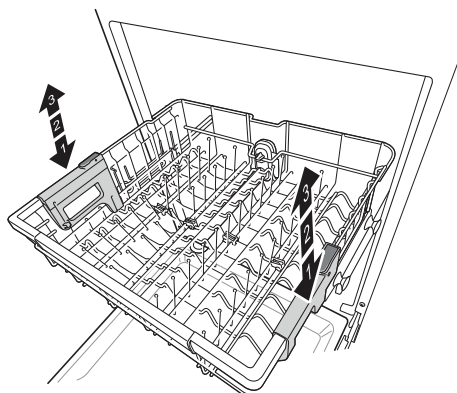


- 4 Powtórzyć powyższe kroki w odwrotnej kolejności w celu ponownego zamocowania półki na filiżanki.

Górny kosz z regulacją wysokości

Wysokość górnego kosza można wyregulować tak, aby umieścić w nim kieliszki z długimi nóżkami oraz wysokie naczynia.

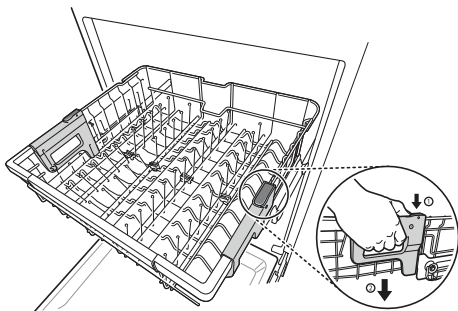
Dostępne są trzy pozycje regulacji wysokości górnego kosza, które pozwalają zwiększyć powierzchnię na naczynia.



Zmiana pozycji kosza na niższą

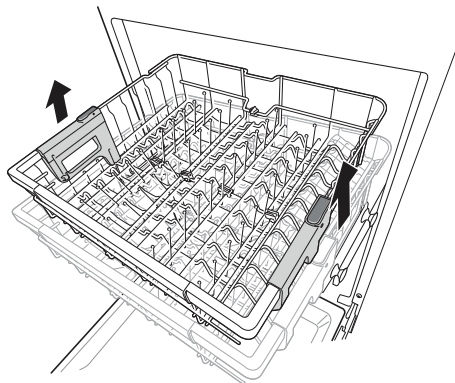
Chwycić kosz z obu stron w połowie jego głębokości, aby go unieść. Następnie nacisnąć

przyciski zwalniające z obu stron kosza i obniżyć go do pożądanej pozycji.



Zmiana pozycji kosza na wyższą

Chwycić kosz z obu stron w połowie jego głębokości i unieść aż do zatrzaśnięcia w wyższej pozycji. Unoszenie dźwigni blokujących nie jest wymagane do zmiany pozycji kosza na wyższą.



Wymiary talerzy, które można umieścić w zmywarce w zależności od pozycji kosza górnego

Pozycja górnego kosza	Wymiary talerza (mm)		
	Górny kosz		Dolny kosz
	z koszykiem na sztućce	bez koszyka na sztućce	
Górna	165	215	300

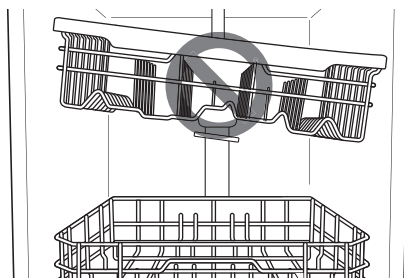
Pozycja górnego kosza	Wymiary talerza (mm)		
	Górny kosz		Dolny kosz
	z koszykiem na sztućce	bez koszyka na sztućce	
Środkowa	193	243	272
Obniżenie	221	271	244

⚠ OSTRZEŻENIE

- Przed rozpoczęciem regulacji opróżnić kosz ze wszystkich naczyń. W przeciwnym razie naczynia mogą zostać uszkodzone lub spowodować obrażenia ciała.

UWAGA

- Unieść górny kosz, nie naciskając przy tym przycisków znajdujących się po obu jego stronach. Naciśnięcie przycisków podczas unoszenia uniemożliwi zatrzaśnięcie kosza we właściwej pozycji.
- Najłatwiejszym sposobem na ustawienie kosza w pozycji środkowej jest obniżenie go do pozycji dolnej, a następnie uniesienie oddzielnie lewego i prawego boku aż do zatrzaśnięcia kosza.



- Dzięki przeniesieniu kosza do pozycji dolnej zyskuje się dodatkowe 56 mm w pionie.
- Po wyregulowaniu pozycji kosza należy sprawdzić, czy ramiona zraszacza mogą się swobodnie obracać.
- Po przeniesieniu górnego kosza do pozycji dolnej należy sprawdzić, czy spód górnego kosza

oraz ramię zraszacza nie stykają się z przedmiotami w dolnym koszu.

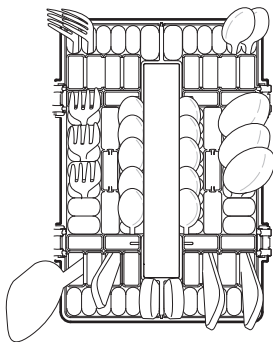
- Gdy górny kosz znajduje się w pozycji dolnej, należy najpierw wsunąć górny kosz a następnie dolny kosz.
- Wyciągnąć najpierw dolny kosz a następnie górny kosz.
- Gdy górny kosz znajduje się w pozycji dolnej, wysokość naczyń, które można w nim umieścić, będzie się różnić w zależności od modelu (z półką na sztućce lub bez).

Umieszczanie przyborów kuchennych w koszyku na sztućce

Codzienna eksploatacja

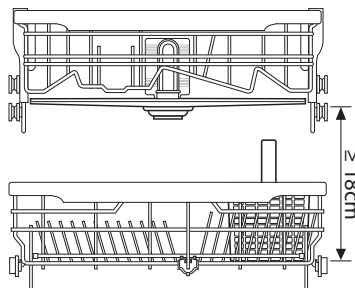
W przypadku umieszczania dużych przyborów kuchennych, takich jak trzepaczki, można wyjąć pokrywę koszyka z elementów mocujących i usunąć.

Widelce i łyżki należy umieścić w koszyku na sztućce trzonkami do dołu.



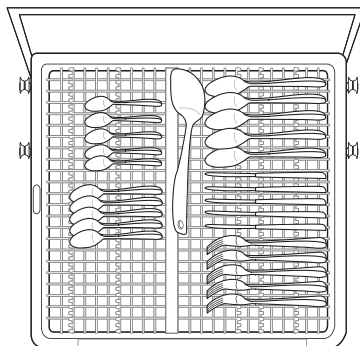
⚠ UWAGA

- Nie umieszczają przedmiotów na drodze obracającego się ramienia zraszacza.
- Sztućce nie powinny być dłuższe niż 18 cm.



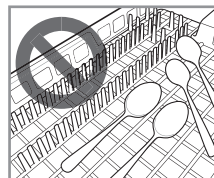
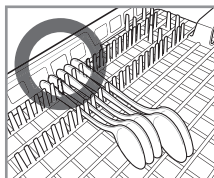
Umieszczanie przyborów kuchennych na półce na sztućce

Półka na sztućce jest przeznaczona na sztućce oraz większość przyborów do gotowania i serwowania potraw. Można także na niej umieścić niewielkie miseczki i pokrywki. Rozdzielacze na półce na sztućce pozwalają oddzielić od siebie przybory kuchenne i dzięki temu zapobiec ich uszkodzeniu oraz poprawić efektywność zmywania.

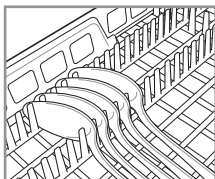


⚠ OSTRZEŻENIE

- Aby zapobiec obrażeniom ciała, należy ułożyć noże i inne ostro zakończone przybory kuchenne na koszyku na sztućce.
- W przypadku wkładania ich do koszyka na sztućce należy umieścić je ostrymi końcami do dołu.

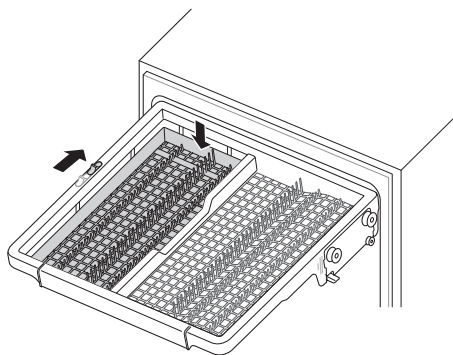


Jeżeli trzonki sztućców są zbyt grube, należy odwrócić sztućce tak, aby trzonki były skierowane w inną stronę.



Taca z regulacją wysokości

Taca znajdująca się po lewej stronie może być ustawiona w pozycji wysokiej lub niskiej w celu ułożenia przyborów kuchennych lub sztućców o różnych wymiarach. Przed regulacją tacy należy usunąć naczynia. Dostosować wysokość tacy, przesuwając dźwignię.



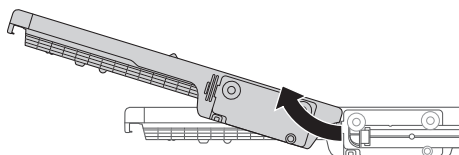
Wymywanie półki na sztućce

Półkę na sztućce można w całości usunąć, jeżeli w górnym koszu potrzeba więcej miejsca na większe przedmioty.

Przed usunięciem półki należy zawsze najpierw wyjąć z niej sztućce.

Wyciągnąć półkę do końca szyny prowadnicy. Następnie unieść przód półki tak, aby wysunąć rolki poza końce blokujące szyny prowadnicy. Półkę

można teraz wysunąć do przodu i usunąć z szyny prowadnicy.



⚠ OSTRZEŻENIE

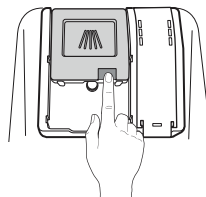
- Podczas wkładania i wyjmowania ostro zakończonych przedmiotów należy zachować ostrożność. Ostre noże należy umieszczać ostrzami do dołu, aby zminimalizować ryzyko obrażeń ciała.

Dodawanie środków czyszczących

Dodawanie detergentu do dozownika

- Usunąć etykietę z dozownika przed pierwszym użyciem urządzenia.
- Wymagana ilość detergentu zależy od rodzaju cyklu, wielkości wsadu i stopnia zabrudzenia naczyń.
- Umieścić detergent w przegrodzie na detergent przed rozpoczęciem każdego cyklu z wyjątkiem cyklu **Rinse (Płukanie)**.

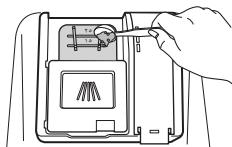
- 1 Nacisnąć przycisk na pokrywie dozownika, aby otworzyć pokrywę.



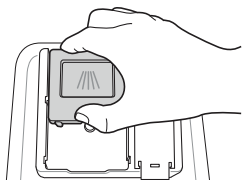
- 2 Dodawać detergent do przegrody zmywania głównego aż do osiągnięcia poziomu pomiędzy liniami oznaczonymi jako 15 i 25.
 - Dodać detergent w ilości przekraczającej linię 25 wówczas, gdy zmywanie odbywa się

w twardej wodzie lub naczynia są mocno zabrudzone.

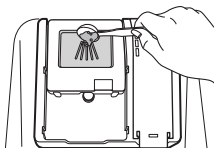
- Dodać detergent w ilości do linii 15 wówczas, gdy zmywanie odbywa się w miękkiej wodzie lub naczynia są lekko zabrudzone.



- 3** Popchnąć pokrywę dozownika i wsuwać aż do kliknięcia, aby ją zamknąć.



- 4** Jeżeli zmywanie wstępne jest wymagane, należy napełnić środkiem czyszczącym przegrodę na detergent do zmywania wstępnego znajdującą się na pokrywie.



Program	Ilość detergentu
	Zmywanie główne (dozownik)
Auto (Automatyczny)	20 g
Intensive (Intensywny)	20 g
Delicate (Delikatny)	20 g
Refresh (Odświeżanie)	-
Eco	22 g
Turbo	20 g

Program	Ilość detergentu
	Zmywanie główne (dozownik)
Download Cycle (Pobierz cykl)	20 g
Machine Clean (Czyszczenie urządzenia)	20 g
Rinse (Płukanie)	-
Express (Ekspresowy)	20 g

⚠ OSTRZEŻENIE

- Detergent oraz nabyśszczacz, tak jak pozostałe środki czyszczące do użytku domowego, zawierają związki chemiczne. Dlatego też muszą być przechowywane poza zasięgiem dzieci.

⚠ UWAGA

- Stosować tylko detergent przeznaczony do zmywarek. Niewłaściwy detergent może spowodować nadmierną produkcję mydlin podczas pracy urządzenia. Nadmierna produkcja mydlin może obniżyć wyniki zmywania i doprowadzić do wycieku wody z urządzenia.
- Aby nie uszkodzić urządzenia, nie ciągnąć dozownika w celu zamknięcia drzwi urządzenia.



- Zastosowanie nieodpowiedniego detergentu i nabyśszczacza może spowodować uszkodzenia, korozję, słabe wyniki zmywania lub suszenia oraz wyciek wody z urządzenia.

UWAGA

- Stosować tylko detergent i nabłyszczacz, które spełniają wymogi normy dla zmywarek. Zastosowanie detergentu i nabłyszczacza, które nie spełniają wymogów normy dla zmywarek, może spowodować uszkodzenia, korozję, słabe wyniki zmywania lub suszenia oraz wyciek wody z urządzenia.
- Podczas stosowania zbyt dużej ilości detergentu może wystąpić duża ilość piany. Może to spowodować wyciek piany, prowadząc do zabrudzenia naczyń w zmywarce.

UWAGA


- Zastosowanie zbyt dużej ilości detergentu może skutkować jego osadzeniem się na naczyniach i urządzeniu, co może prowadzić do słabych wyników zmywania.
- Po zakończeniu zmywania sprawdzić, czy detergent został całkowicie wypłukany.
- Niektóre tabletki do zmywarek mogą utknąć w dozowniku z powodu ich nadmiernej wielkości. Przed rozpoczęciem cyklu tabletki można umieścić na spodzie komory zmywania obok filtra.
- Nigdy nie wlewać detergentu w płynie do urządzenia.
- Nie zaleca się stosowania detergentów w tabletkach wraz z cyklem **Express (Ekspresowy)**. Jeżeli detergenty w tabletkach zostaną użyte, mogą doprowadzić do powstania osadów na naczyniach z powodu zastosowania względnie niskich temperatur podczas płukania.

Uzupełnianie poziomu nabłyszczacza i soli

Aby utrzymać wysoką efektywność suszenia, należy regularnie sprawdzać i uzupełniać poziom nabłyszczacza w zmywarce.

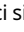
Aby utrzymać wysoką efektywność zmywania, należy regularnie sprawdzać i uzupełniać poziom soli w zmywarce.

Sprawdzanie poziomu nabłyszczacza

Gdy ikona braku nabłyszczacza  zaświeci się, oznacza to, że zbiornik na nabłyszczacz jest prawie całkowicie pusty. W razie potrzeby uzupełnić poziom nabłyszczacza w zbiorniku.

Sprawdzanie poziomu soli

Po uzupełnieniu poziomu soli uruchomić program zmywania bez wkładania naczyń, ponieważ sól znajdująca się w urządzeniu może powodować rdzewienie lub uszkodzenia urządzenia, jeżeli pozostanie niezmyta.

Gdy ikona braku soli  zaświeci się, oznacza to, że zbiornik na sól jest prawie całkowicie pusty. W razie potrzeby uzupełnić poziom soli w zbiorniku.

UWAGA

- Nie dodawać detergentu ani jakiegokolwiek innego roztworu do zbiornika systemu zmiękczenia wody poza solą do zmywarek. W przeciwnym razie spowoduje to awarię systemu zmiękczenia wody.

Przydatne wskazówki

Suszenie

- Wyniki suszenia mogą być niższe w przypadku przedmiotów z tworzywa sztucznego w porównaniu do przedmiotów wykonanych z innych materiałów.
- Aby wspomóc proces suszenia, po zakończeniu cyklu można na chwilę uchylić drzwi urządzenia.

UWAGA

- Upewnić się, że przedmioty nie stykają się ze sobą.
- Jeżeli wyniki suszenia nie są zbyt dobre lub na naczyniach pozostają plamy z wody, należy do cyklu dodać opcję **Extra Dry (Suszenie dodatkowe)** lub ustawić poziom płukania.

- Podczas korzystania z tabletek do zmywarek typu 2 w 1 lub 3 w 1 konieczne może być zastosowanie dodatkowego płukania w zależności od liczby naczyń. W takim wypadku należy skorzystać z opcji **Extra Dry (Suszenie dodatkowe)** lub ustawić poziom płukania.
-

Wyjmowanie naczyń ze zmywarki

- Przed wyjęciem naczyń należy sprawdzić, czy naczynia wystygły na tyle, aby można je było wziąć do ręki.
- Opróżnić najpierw dolny, a następnie górny kosz. Dzięki temu woda z górnego kosza nie będzie ściekać na naczynia znajdujące się w dolnym koszu.

OSTRZEŻENIE

- Nie wyciągać jednocześnie wszystkich koszy i półek, które są w całości wypełnione, ponieważ może to prowadzić do przewrócenia się urządzenia. Wyjąć naczynia kolejno z jednego, a następnie z drugiego kosza.
-

FUNKCJE SMART

Aplikacja LG ThinQ

Aplikacja **LG ThinQ** umożliwia komunikację z urządzeniem za pomocą smartfona.

Funkcje aplikacji LG ThinQ

Komunikacja z urządzeniem za pomocą smartfonu oraz wygodnych i zaawansowanych funkcji.

Monitorowanie

Ta funkcja służy do wyświetlania bieżącego stanu, cyklu, czasu trwania opcji i czasu do zakończenia cyklu urządzenia na jednym ekranie.

Download Cycle (Pobierz cykl)

Można pobrać nowe, specjalne cykle, które nie wchodzi w skład podstawowych cykli urządzenia.

Na poprawnie zarejestrowane urządzenia można pobierać wiele specjalnych cykli opracowanych specjalnie dla danego urządzenia.

Na urządzeniu może być przechowywany tylko jeden cykl jednocześnie.

Pobrany cykl jest przechowywany na urządzeniu aż do pobrania następnego.

Przypomnienie o czyszczeniu urządzenia

Ta funkcja pokazuje, za ile cykli będzie trzeba użyć funkcji **Machine Clean (Czyszczenie urządzenia)**.

Smart Diagnosis

Ta funkcja podaje informacje przydatne w diagnozowaniu i rozwiązywaniu problemów z urządzeniem w oparciu o wzorzec użytkowania.

Ustawienia

Ta funkcja służy do ustawiania różnych opcji w urządzeniu i aplikacji.

Alarm

Użytkownik może wybrać opcję otrzymywania powiadomień na smartfonie po zakończeniu cyklu lub w momencie wystąpienia problemów z urządzeniem. Powiadomienia są wysyłane nawet wtedy, gdy aplikacja **LG ThinQ** jest wyłączona.

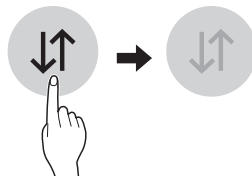
internetowego lub hasła, należy usunąć zarejestrowane urządzenie z aplikacji **LG ThinQ** i zarejestrować je ponownie.

- Aplikacja może być modyfikowana w celu poprawy wydajności urządzenia bez uprzedniego powiadomienia.
- Funkcje mogą się różnić w zależności od modelu.

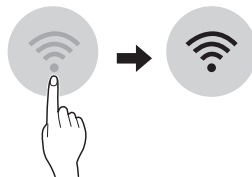
Przed skorzystaniem z aplikacji LG ThinQ

- 1 Sprawdzić odległość między urządzeniem a routerem bezprzewodowym (siecią Wi-Fi).
 - Jeżeli odległość między urządzeniem a routerem sieci bezprzewodowej jest zbyt duża, siła sygnału będzie słabsza. Rejestracja może trwać dłużej lub instalacja może się nie powieść.


- 2 Wyłączyć na smartfonie ustawienie **Dane mobilne** lub **Dane sieci kom.**



- 3 Połączyć smartfon z routerem sieci bezprzewodowej



UWAGA

- Aby sprawdzić połączenie z siecią Wi-Fi, należy sprawdzić, czy ikona  na panelu sterowania świeci się.

UWAGA

- Jeśli zmieniono ustawienia routera bezprzewodowego, usługodawca

- Urządzenie obsługuje wyłącznie sieci Wi-Fi 2,4 GHz. Aby sprawdzić częstotliwość sieci Wi-Fi, należy skontaktować się z dostawcą usług internetowych lub zajrzeć do instrukcji obsługi routera sieci bezprzewodowej.
- **LG ThinQ** nie ponosi odpowiedzialności za jakiegokolwiek problemy z połączeniem sieciowym, usterki, awarie lub błędy spowodowane przez nieprawidłowe połączenie sieciowe.
- Jeśli urządzenie nie może nawiązać połączenia sieciowego Wi-Fi, może znajdować się w zbyt dużej odległości od routera. Aby poprawić siłę sygnału Wi-Fi, należy zakupić wzmacniacz sygnału Wi-Fi.
- Inne urządzenia w sieci domowej mogą przerwać połączenie z siecią Wi-Fi lub powodować jego zakłócenia.
- W zależności od dostawcy usług internetowych połączenie sieciowe może nie działać prawidłowo.
- Inne urządzenia połączone z siecią bezprzewodową mogą obniżać jej szybkość.
- Nie można zarejestrować urządzenia z powodu problemów z transmisją sygnału bezprzewodowego. Odłączyć urządzenie i odczekać około minuty przed ponowną próbą.
- Jeżeli w routerze sieci bezprzewodowej jest włączona zaporą sieciowa, wyłączyć zaporę lub dodać do niej wyjątek.
- Nazwa sieci bezprzewodowej (SSID) może zawierać litery alfabetu języka angielskiego oraz cyfry (nie należy stosować znaków specjalnych).
- Interfejs smartfonu może się różnić w zależności od systemu operacyjnego oraz producenta.
- Jeśli protokół zabezpieczeń ustawiony w routerze to **WEP**, skonfigurowanie połączenia sieciowego może nie powieść się. Należy zmienić protokół na inny (zalecamy **WPA2**) i ponownie rejestrować produkt.

Instalowanie aplikacji LG ThinQ

Należy wyszukać aplikację **LG ThinQ** w sklepie Google Play lub Apple App Store na smartfonie. Postępować zgodnie z instrukcjami, aby pobrać i zainstalować aplikację.

Wyłączanie połączenia sieciowego

Na smartfonie wyłącz domową sieć Wi-Fi.

- 1 Uruchom aplikację **LG ThinQ**.
- 2 W aplikacji wybierz i dotknij opcję **Zmywarka**.
- 3 W menu ustawień wybierz i dotknij opcję **Usun produkt**, aby wyłączyć połączenie.

Dane techniczne modułu bezprzewodowej sieci LAN

Model	LCW-003
Zakres częstotliwości	Od 2412 do 2472 MHz
Moc wyjściowa (maks.)	IEEE 802.11b: 18.37 dBm IEEE 802.11g: 17.67 dBm IEEE 802.11n: 17.67 dBm

Wersja oprogramowania modułu sieci bezprzewodowej : V 1.0

Urządzenie należy instalować i korzystać z niego, zachowując minimalną odległość 20 cm pomiędzy urządzeniem a użytkownikiem.

Deklaracja zgodności



Niniejszym firma LG Electronics deklaruje, że to urządzenie radiowe typu zmywarka jest zgodne z postanowieniami Dyrektywy 2014/53/UE. Pełen tekst deklaracji zgodności z normą UE jest dostępny pod następującym adresem internetowym:

<http://www.lg.com/global/support/cedoc/cedoc#>
LG Electronics European Shared Service Centre B.V.
Krijgsman 1, 1186 DM Amstelveen, Holandia



Informacja dotycząca oprogramowania open source

Zawarty w tym produkcie kod źródłowy podlegający licencjom GPL, LGPL, MPL i innym licencjom open source można pobrać ze strony internetowej <http://opensource.lge.com>.

Oprócz kodu źródłowego ze strony można pobrać warunki wszystkich wymienionych licencji, zastrzeżenia gwarancyjne i informacje o prawach autorskich.

Firma LG Electronics oferuje także dostarczenie kodu źródłowego typu otwartego na CD-ROM za kwotę pokrywającą koszty takiej dystrybucji (jak koszty nośnika, transportu i przechowania) po przesłaniu prośby na adres opensource@lge.com. Ta oferta jest ważna przez okres trzech lat po ostatniej dostawie tego produktu. Oferta ta jest ważna dla każdego, kto otrzymał tę informację.

Smart Diagnosis

Funkcja ta jest dostępna tylko w modelach z logo  lub .

Z funkcji tej należy skorzystać w celu zidentyfikowania i rozwiązania problemów z urządzeniem.

UWAGA

- Usługa ta może nie działać z przyczyn zewnętrznych niezależnych od firmy LG Electronics, takich jak między innymi brak dostępu do sieci Wi-Fi, utrata połączenia z siecią Wi-Fi, lokalna polityka sklepu z aplikacjami lub brak dostępu do aplikacji.
- Funkcja ta może ulec zmianie bez wcześniejszego powiadomienia i może różnić się sposobem działania w zależności od lokalizacji.

Korzystanie z aplikacji LG ThinQ w celu identyfikacji problemów

Jeśli podczas korzystania z urządzenia z funkcją Wi-Fi wystąpi problem, dane dotyczące rozwiązywania problemu mogą zostać przesłane na smartfon za pośrednictwem aplikacji **LG ThinQ**.


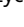
- Uruchomić aplikację **LG ThinQ** i wybrać w menu funkcję **Smart Diagnosis**. Postępować zgodnie z

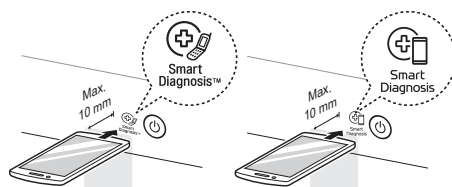
instrukcjami wyświetlanymi w aplikacji **LG ThinQ**.

Korzystanie z diagnostyki dźwiękowej w celu identyfikacji problemów

Należy postępować zgodnie z poniższymi instrukcjami w celu skorzystania z diagnostyki dźwiękowej.

- Uruchomić aplikację **LG ThinQ** i wybrać w menu funkcję **Smart Diagnosis**. Postępować zgodnie z instrukcjami dotyczącymi diagnostyki dźwiękowej wyświetlanymi w aplikacji **LG ThinQ**.

- 1 Nacisnąć przycisk **Zasilanie**, aby włączyć urządzenie.
 - Nie naciskać innych przycisków.
- 2 Przyłożyć mikrofon smartfona do logo  lub .



- 3 Nacisnąć i przytrzymać przez co najmniej 3 sekundy przycisk **Download Cycle (Pobierz cykl)**, jednocześnie przytrzymując mikrofon smartfona przy logo aż do zakończenia transferu danych.
 - Nie odsuwać smartfona, dopóki trwa transfer danych. Wyświetlany jest czas pozostały do końca transferu danych.

- 4 Po zakończeniu przesyłania dane diagnostyczne zostaną wyświetlone w aplikacji.

UWAGA

- Aby uzyskać najlepsze rezultaty, nie należy poruszać smartfonem podczas tonowego transferu danych.

Obsługa klienta i serwisowanie

Kontakt z centrum obsługi klienta LG Electronics.

- Autoryzowane punkty serwisowe LG Electronics można znaleźć stosując się do instrukcji na stronie **www.lg.com**.
- Nie zaleca się wykonywania samodzielnych napraw, gdyż może to doprowadzić do dalszych uszkodzeń i unieważnienia gwarancji.
- Wskazane w Rozporządzeniu 2019/2022 części zamienne są dostępne przez minimum 7 lat.

KONSERWACJA

Aby utrzymać efektywność pracy urządzenia i zapobiec ewentualnym problemom, należy regularnie sprawdzać stan zewnętrznych i wewnętrznych elementów urządzenia, w tym filtrów i ramion zraszacza.

⚠ OSTRZEŻENIE

- Nie używać roztworów opartych na rozpuszczalnikach (np. rozcieńczalniki, aceton) do czyszczenia zewnętrznych i wewnętrznych elementów urządzenia. W przeciwnym razie może dojść do pożaru lub eksplozji.

UWAGA

- Należy uniemożliwić zwierzętom podgryzanie przewodu zasilającego oraz węży doprowadzającego wodę.

Czyszczenie i pielęgnacja

Czyszczenie elementów zewnętrznych

W większości przypadków zewnętrzne elementy urządzenia można wyczyścić za pomocą miękkiej, nawilżonej szmatki lub gąbki, a następnie wytrzeć do sucha za pomocą miękkiej szmatki. Do czyszczenia elementów zewnętrznych ze stali nierdzewnej stosować specjalnie do tego przeznaczony detergent.

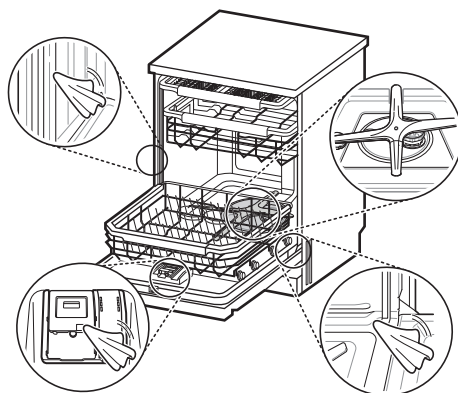
⚠ UWAGA

- Jeżeli zewnętrzne części urządzenia zostaną zabrudzone olejem do gotowania, należy niezwłocznie wytrzeć zabrudzenie. Nie czyścić zewnętrznych części urządzenia za pomocą środków zawierających alkohol, rozcieńczalniki, wybielacz, benzen, płyny łatwopalne lub substancje ściernie. Mogą one powodować odbarwienia lub uszkodzenia urządzenia.

Czyszczenie elementów wewnętrznych

Zaleca się czyszczenie wnętrza urządzenia, ramion zraszacza lub filtrów co dwa tygodnie.

Wnętrze urządzenia należy okresowo czyścić za pomocą miękkiej, nawilżonej szmatki lub gąbki w celu usunięcia resztek jedzenia i innych zabrudzeń. Resztki jedzenia mogą utknąć w wąskich szczelinach wewnątrz urządzenia po zakończeniu zmywania. Należy wytrzeć wszelkie pozostałości po jedzeniu.



UWAGA

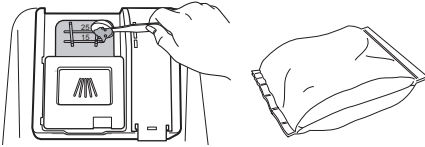
- Jeżeli urządzenie nie było używane przez dłuższy czas, należy odświeżyć jego wnętrze, uruchamiając program **Turbo** lub **Machine Clean (Czyszczenie urządzenia)** z detergentem. Po zakończeniu cyklu wyczyścić wewnętrzne i zewnętrzne elementy urządzenia zgodnie z instrukcjami dotyczącymi **KONSERWACJI**.

Czyszczenie komory zmywania

Stosowanie kwasu cytrynowego

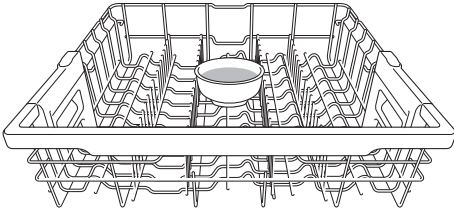
Usunąć z urządzenia wszystkie naczynia i koszyk na sztućce wraz z uchwytnymi. W komorze zmywania powinny pozostać tylko kosze. Dla osiągnięcia najlepszych rezultatów użyć kwasu cytrynowego w proszku (do kupienia w dziale z żywnością

konserwowaną w większości supermarketów i sklepów internetowych). Odmierzyć 3 łyżki (45 g) kwasu cytrynowego w proszku. Wsypać do przegrody zmywania głównego.



Stosowanie białego octu

W przypadku braku kwasu cytrynowego należy wlać około 3/4-1 1/4 filiżanki (200-300 ml) białego octu do płytkiej miseczki i umieścić w górnym koszu. Uruchomić cykl **Auto (Automatyczny)**. Nie stosować detergentu. Po zakończeniu cyklu uruchomić ponownie urządzenie.



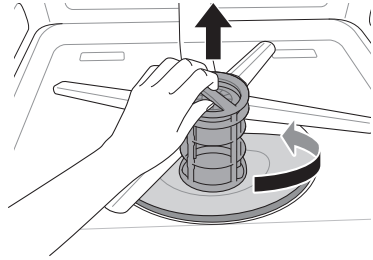
⚠ UWAGA

- Nie wylewać octu bezpośrednio na spód urządzenia.
- Zastosowanie octu w nadmiernej ilości może spowodować uszkodzenia urządzenia.

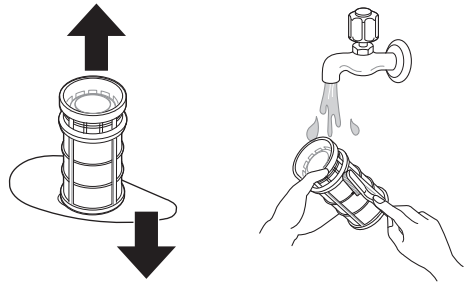
Czyszczenie filtrów

- 1 Usunąć dolny kosz i przesunąć dolne ramię zraszacza tak, aby szersze rozwidlenie było skierowane do przodu urządzenia.
- 2 Obrócić filtr wewnętrzny przeciwnie do ruchu wskazówek zegara i wyjąć filtr wewnętrzny

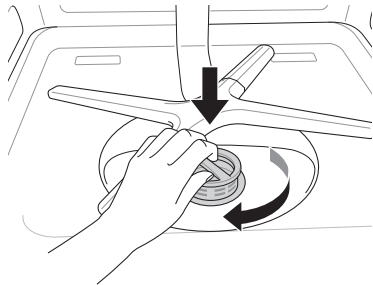
wraz z przymocowanym do niego filtrem ze stali nierdzewnej.



- 3 Wyczyścić filtry miękką szczotką pod bieżącą wodą. Przymocować filtr wewnętrzny do filtra ze stali nierdzewnej przed ich ponownym zainstalowaniem.



- 4 W celu ponownego zainstalowania filtrów przesunąć dolne ramię zraszacza tak, aby szersze rozwidlenie było skierowane do przodu urządzenia. Umieścić filtry w uchwycie i obracać filtr wewnętrzny zgodnie z ruchem wskazówek zegara aż do kliknięcia.



⚠ OSTRZEŻENIE

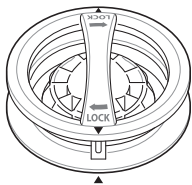
- Podczas posługiwania się filtrem ze stali nierdzewnej uważać na jego ostre krawędzie.

⚠ UWAGA

- Po zakończeniu korzystania z urządzenia resztki jedzenia są filtrowane za pomocą filtrów. Nieusunięte resztki jedzenia mogą powodować nieprzyjemny zapach. Ponadto resztki jedzenia zakleszczone w filtrach mogą powodować problemy z odprowadzaniem wody.

UWAGA

- Podczas montażu obracać filtr zdecydowanym ruchem aż do kliknięcia.

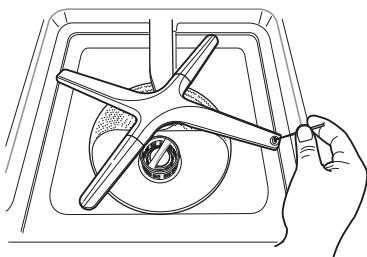
**Czyszczenie ramion zraszacza**

Jeżeli otwory w ramionach zraszacza są zablokowane przez resztki jedzenia, efektywność zmywania naczyń może się obniżyć z powodu niewłaściwego zraszania wodą.

Czyszczenie dolnego ramienia zraszacza

- Upewnić się, że otwory dyszy wodnej nie są zablokowane przez resztki jedzenia.

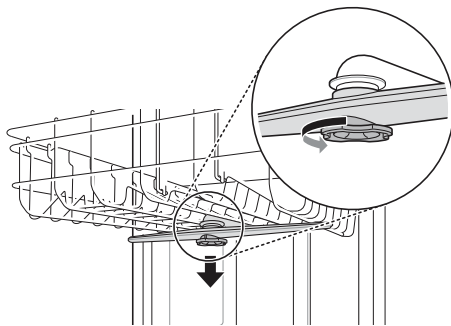
- Jeżeli otwory ramienia zraszacza są zablokowane przez resztki jedzenia, użyć szpilki lub innego ostro zakończonego narzędzia do ich przetkania.

**⚠ UWAGA**

- Aby uniknąć złamania końcówek ramienia zraszacza, nie ciągnąć za nie i nie obracać ich ręcznie.

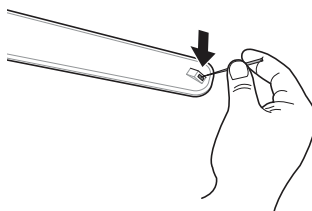
Czyszczenie górnego ramienia zraszacza

- Wyciągnąć do przodu kosz górny. Upewnić się, że otwory dyszy wodnej nie są zablokowane przez resztki jedzenia.
- Jeżeli koniecznie należy przeprowadzić czyszczenie, usunąć górne ramię zraszacza, przekręcając nakrętkę na spodzie ramienia zraszacza o 1/8 obrotu przeciwnie do ruchu wskazówek zegara i ciągnąc ramię zraszacza do dołu.

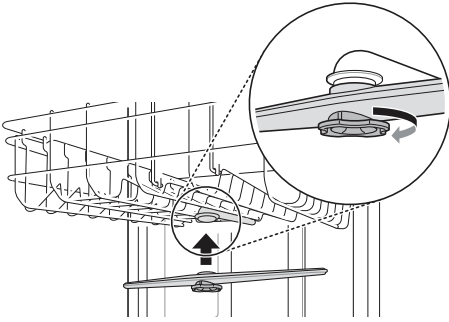


- Usunąć resztki jedzenia poprzez przemycie lub potrząśnięcie ramieniem zraszacza.

- Jeżeli otwory ramienia zraszacza są zablokowane przez resztki jedzenia, użyć szpilki lub innego ostro zakończonego narzędzia do ich przetkania.



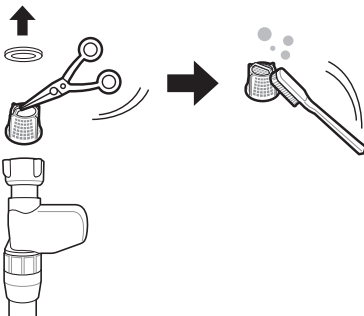
- 5** Po usunięciu resztek jedzenia wyczyścić otwory ramienia zraszacza pod bieżącą wodą.
- 6** Po wyczyszczeniu górnego ramienia zraszacza wcisnąć je w miejsce instalacji i przekręcić nakrętkę o 1/8 obrotu zgodnie z ruchem wskazówek zegara, aby ją zablokować.



- 7** Po zamontowaniu ramienia zraszacza sprawdzić, czy obraca się ono swobodnie.

Czyszczenie filtra węża doprowadzającego wodę

- 1** Odłączyć urządzenie od sieci.
- 2** Zakręcić kran.
- 3** Odkręcić węża doprowadzającego wodę.
- 4** Usunąć uszczelkę i filtr z tworzywa sztucznego za pomocą małych kombinerek lub nożyczek.



- 5** Ponownie zamocować filtr i uszczelkę, upewniając się, że zostały odpowiednio zainstalowane.
- 6** Zamontować i dokręcić węża doprowadzającego wodę. Nie używać żadnych mechanicznych narzędzi do dokręcenia węża. Aby ułatwić ręczne dokręcanie węża, można użyć miękkiej szmatki.

UWAGA

- Filtr jest zamontowany na wlocie złącza węża doprowadzającego wodę.
- Jeżeli do urządzenia doprowadzana jest niewystarczająca ilość wody, należy sprawdzić, czy filtr nie jest zablokowany.
- Jeżeli doszło do przecieku, należy sprawdzić, czy wąż doprowadzający wodę jest prawidłowo podłączony.
- Nigdy nie należy zbyt mocno dokręcać zaworu doprowadzającego wodę lub używać mechanicznych narzędzi do dokręcania.
- Podczas ponownej instalacji uszczelki i filtra należy się upewnić, że są one pozbawione zabrudzeń lub piasku, które mogły napłynąć wraz z wodą.

Okresowa konserwacja i przechowywanie

- W przypadku nieobecności w domu przez dłuższy czas w okresie letnim należy odciąć dopływ wody i wyciągnąć przewód zasilający z gniazda elektrycznego lub wyłączyć przerywacz nadprądowy. Wyczyścić filtr, komorę zmywania i dozownik, aby zapobiec powstawaniu nieprzyjemnych zapachów.
- W przypadku nieobecności w domu przez dłuższy czas w okresie zimowym, kiedy temperatura może spaść poniżej zera, należy zabezpieczyć węża doprowadzającego wodę i urządzenie przed zimą. Czynności te muszą być wykonane przez wykwalifikowanych pracowników serwisu.

ROZWIĄZYWANIE PROBLEMÓW

Zanim zadzwonisz do centrum serwisowego

Podczas korzystania z urządzenia mogą wystąpić błędy i awarie. W poniższych tabelach przedstawiono możliwe przyczyny i uwagi dotyczące usuwania błędów i awarii. Większość problemów może zostać rozwiązana przez użytkownika, co pozwala zaoszczędzić czas i wyeliminować opłaty za rozmowy telefoniczne z centrum serwisowym LG Electronics. Poniższe tabele zawierają informacje użyteczne podczas rozwiązywania problemów.

Kody błędów

Urządzenie wyposażone jest w automatyczny system monitorowania błędów wykrywający i diagnozujący problemy we wczesnym stadium. Jeśli urządzenie działa nieprawidłowo lub nie działa wcale, przed kontaktem telefonicznym z centrum serwisowym LG Electronics należy sprawdzić poniższe informacje.

Objawy	Przyczyny & Rozwiązanie
I E	<p>Problem z wlotem wody.</p> <ul style="list-style-type: none"> • Sprawdzić, czy wąż doprowadzający wodę nie jest zatkany, splątany lub zamrożony. • Sprawdzić dopływ wody.
OE	<p>Problem z odprowadzaniem wody.</p> <ul style="list-style-type: none"> • Sprawdzić, czy wąż odpływowy nie jest zatkany, splątany lub zamrożony.
	<p>Króciec odpływu jest zatkany.</p> <ul style="list-style-type: none"> • Usunąć elementy blokujące króciec odpływu.
	<p>Filtry są zatkane.</p> <ul style="list-style-type: none"> • Wyczyścić filtry.
bE	<p>Nadmierne wytwarzanie mydlin spowodowane zastosowaniem niewłaściwego detergentu, np. płynu do mycia naczyń.</p> <ul style="list-style-type: none"> • Nie stosować płynów do ręcznego mycia naczyń. Używać wyłącznie detergentów przeznaczonych do zmywarek automatycznych. • Aby usunąć resztki detergentu z komory zmywania, włączyć około 100-200 ml mleka do płytkiej miseczki i wstawić ją do górnego kosza, a następnie uruchomić cykl Auto (Automatyczny).
	<p>Nieprawidłowo wypoziomowane urządzenie.</p> <ul style="list-style-type: none"> • Upewnić się, że urządzenie jest prawidłowo wypoziomowane.
HE	<p>Awaria obwodu podgrzewacza.</p> <ul style="list-style-type: none"> • Skontaktować się z serwisem, jeżeli taki sam problem wystąpi ponownie.
FE	<p>Nadmierna ilość doprowadzanej wody.</p> <ul style="list-style-type: none"> • Skontaktować się z serwisem, jeżeli taki sam problem wystąpi ponownie.

Objawy	Przyczyny & Rozwiązanie
RE	Problem z wyciekami wody. <ul style="list-style-type: none"> Skontaktować się z serwisem, jeżeli taki sam problem wystąpi ponownie.
ŁE	Awaria termistora. <ul style="list-style-type: none"> Skontaktować się z serwisem, jeżeli taki sam problem wystąpi ponownie.
ŁE	Problem z silnikiem. <ul style="list-style-type: none"> Skontaktować się z serwisem, jeżeli taki sam problem wystąpi ponownie.
nE	Problem z wariometrem. <ul style="list-style-type: none"> Skontaktować się z serwisem, jeżeli taki sam problem wystąpi ponownie.

Działanie

Objawy	Przyczyny & Rozwiązanie
Hałas.	Pewien poziom hałasu podczas działania urządzenia jest zjawiskiem normalnym. <ul style="list-style-type: none"> Odgłos otwierania pokrywy detergentu. Odgłos pompy spustowej w początkowej fazie cyklu odprowadzania wody.
	Urządzenie nie jest wypoziomowane. <ul style="list-style-type: none"> Dostosować wysokość nóżek poziomujących.
	Ramię zraszacza uderza o naczynia. <ul style="list-style-type: none"> Zmienić ułożenie naczyń.
	Ciśnienie wody jest zbyt wysokie. <ul style="list-style-type: none"> Dostosować ciśnienie wody.

Objawy	Przyczyny & Rozwiązanie
Urządzenie nie działa.	Drzwi nie są domknięte. <ul style="list-style-type: none"> • Ponownie wypoziomować urządzenie.
	Przewód zasilający nie jest podłączony do urządzenia lub do gniazda elektrycznego. <ul style="list-style-type: none"> • Prawidłowo podłączyć przewód zasilający do urządzenia lub do gniazda elektrycznego.
	Gdy funkcja Control Lock (Blokada przycisków) jest aktywna, na wyświetlaczu pojawi się kod CL. <ul style="list-style-type: none"> • Dezaktywować funkcję, naciskając przycisk Control Lock (Blokada przycisków). • Aby aktywować lub dezaktywować tę funkcję, nacisnąć i przytrzymać przez 3 sekundy jednocześnie przyciski Half Load (Połowa wsadu) i Energy Saver (Energooszczędny).
	Bezpiecznik jest przepalony lub wyłącznik nadprądowy przerwał obwód. <ul style="list-style-type: none"> • Wymienić bezpiecznik lub ponownie uruchomić wyłącznik nadprądowy.
Urządzenie stale emituje dźwięk, gdy drzwi są otwarte, w trakcie cyklu lub tuż po jego zakończeniu.	Zawartość urządzenia jest gorąca i należy zachować ostrożność podczas wkładania rąk do urządzenia. <ul style="list-style-type: none"> • Zamknąć drzwi i odczekać aż urządzenie i naczynia wystygną. Sygnał dźwiękowy ustanie, jeżeli drzwi zostaną zamknięte lub temperatura wewnątrz urządzenia obniży się.
Po zakończeniu cyklu w studzience komory zmywania pozostaje woda.	Wąż odpływowy jest splątany lub zapchany. <ul style="list-style-type: none"> • Dostosować położenie węża lub usunąć elementy blokujące.
	Woda może pozostawać w komorze zmywania jeżeli przed zakończeniem cyklu nastąpiła przerwa w dostawie prądu lub zasilanie zostało odłączone ręcznie. <ul style="list-style-type: none"> • Ponownie uruchomić cykl.
Ramiona zraszacza nie obracają się swobodnie.	Otwory w ramionach zraszacza są zablokowane przez resztki jedzenia. <ul style="list-style-type: none"> • Wyczyścić otwory w ramionach zraszacza.
Górny kosz jest przekrzywiony.	Wysokość kosza nie została prawidłowo wyregulowana. <ul style="list-style-type: none"> • Zobacz rozdział Górny kosz z regulacją wysokości.
Diody nie świecą się.	Urządzenie nie jest podłączone do zasilania. <ul style="list-style-type: none"> • Podłączyć do zasilania.
Wewnątrz urządzenia znajduje się nadmierna ilość piany.	Użyty detergent nie jest przeznaczony do stosowania w zmywarkach. <ul style="list-style-type: none"> • Użyć detergentu przeznaczonego do stosowania w zmywarkach.
	Nadmierne spłukiwanie może być przyczyną powstawania piany. <ul style="list-style-type: none"> • Zmniejszyć poziom dozowania nabłyszczacza.

Objawy	Przyczyny & Rozwiązanie
W dozowniku pozostały resztki detergentu.	Górny kosz nie jest ustawiony równo. <ul style="list-style-type: none"> Dostosować wysokość lewego lub prawego boku górnego kosza.
	Detergent nie może być dozowany, ponieważ źle ustawione naczynia uniemożliwiają automatyczne otwieranie dozownika detergentu. <ul style="list-style-type: none"> Prawidłowo ułożyć naczynia i zawsze osuszać dozownik przed dodaniem nowego detergentu, aby zapobiec zlepianiu się cząsteczek detergentu.
Z urządzenia wycieka woda.	Nie można domknąć drzwi, ponieważ urządzenie jest pochylone. Może to prowadzić do wycieku wody. <ul style="list-style-type: none"> Sprawdzić wypoziomowanie poprzez regulację nóżek.
	Nieprawidłowo zainstalowany wąż odpływowy może powodować wyciek wody. <ul style="list-style-type: none"> Sprawdzić, czy wąż odpływowy jest prawidłowo podłączony.
	Jeżeli urządzenie jest wyłączone, wówczas przyczyną wycieku może być nieprawidłowe podłączenie węża do kranu. <ul style="list-style-type: none"> Sprawdzić, czy wąż doprowadzający wodę jest prawidłowo podłączony.

Wydajność

Objawy	Przyczyny & Rozwiązanie
Szklane naczynia są matowe	Połączenie nadmiernej ilości detergentu i twardej wody <ul style="list-style-type: none"> Użyć mniejszej ilości detergentu i zastosować nablyszczacz, aby zminimalizować ten problem. Sprawdzić ustawienia systemu zmiękczenia wody.
Czarne lub szare ślady na naczyniach	Przedmioty z aluminium trą o naczynia podczas cyklu <ul style="list-style-type: none"> Zmienić ułożenie naczyń.
Żółta lub brązowa warstwa na wewnętrznych powierzchniach urządzenia	Plamy z kawy lub herbaty <ul style="list-style-type: none"> Zastosować środek do usuwania plam.
W zmywarce pozostaje żółta woda.	Żółta woda może być wytwarzana w zbiorniku systemu zmiękczenia wody podczas pierwszego użycia urządzenia. <ul style="list-style-type: none"> Jest to normalne, niestanowiące zagrożenia dla ludzi zjawisko, które ustępuje po przeprowadzeniu 1-3 cykli.

Objawy	Przyczyny & Rozwiązanie
Plamy i smugi na naczyniach	Użyto niewłaściwej ilości detergentu <ul style="list-style-type: none"> Zastosować detergent w zalecanej ilości.
	Zmywarka jest przeładowana <ul style="list-style-type: none"> Nie przeładowywać urządzenia.
	Nieprawidłowo umieszczone naczynia <ul style="list-style-type: none"> Zobacz rozdział UŻYTKOWANIE.
	Niewystarczające ciśnienie wody <ul style="list-style-type: none"> Ciśnienie wody powinno wynosić od 0,05 do 0,6 MPa.
	Niewystarczająca ilość detergentu <ul style="list-style-type: none"> Dodać zalecaną ilość detergentu. Zobacz rozdział UŻYTKOWANIE.
	Dozownik nablyszczacza jest pusty. <ul style="list-style-type: none"> Napełnić dozownik nablyszczacza.
	Brak lub niewystarczająca ilość soli w systemie zmiękczenia wody. <ul style="list-style-type: none"> Sprawdzić, czy w systemie zmiękczenia wody znajduje się sól.
	Ustawiono zbyt niski poziom twardości wody. <ul style="list-style-type: none"> Zwiększyć wartość ustawienia poziomu twardości wody.
	Niewystarczająca ilość nablyszczacza. <ul style="list-style-type: none"> Napełnić dozownik nablyszczacza lub zwiększyć poziom dozowania.
	W komorze zmywania gromadzi się osad w wyniku stosowania twardej wody. <ul style="list-style-type: none"> Usunąć z urządzenia wszystkie naczynia i koszyk na sztućce wraz z uchwytnymi. W komorze zmywania powinny pozostać tylko kosze. Dla osiągnięcia najlepszych rezultatów użyć kwasu cytrynowego w proszku (do kupienia w dziale z żywnością konserwowaną w większości supermarketów i sklepów internetowych). Odmierzyć 3 łyżki (45 g) kwasu cytrynowego w proszku. Wsypać do przegrody zmywania głównego. W przypadku braku kwasu cytrynowego wlać około 3/4-1 1/4 filiżanki (200-300 ml) białego octu do płytkiej miseczki i umieścić w górnym koszu. Uruchomić cykl Auto (Automatyczny). Nie stosować detergentu. Po zakończeniu cyklu uruchomić ponownie urządzenie.

Objawy	Przyczyny & Rozwiązanie
Zapach	<p>Poprzedni cykl został zatrzymany przed zakończeniem i w urządzeniu pozostały resztki wody.</p> <ul style="list-style-type: none"> Włączyć urządzenie i aktywować opcję Cancel (Anuluj), aby pozbyć się resztek wody, a następnie uruchomić cykl Turbo przy użyciu detergentu, ale pozostawiając urządzenie puste.
	<p>Na spodzie urządzenia lub w filtrze znajduje się jedzenie.</p> <ul style="list-style-type: none"> Wyczyścić filtr i wewnątrz urządzenia zgodnie z instrukcjami zawartymi w rozdziale KONSERWACJA w instrukcji obsługi.
	<p>Niezmyte naczynia są pozostawiane w urządzeniu przez dłuższy czas.</p> <ul style="list-style-type: none"> Wlać jedną filiżankę białego octu do naczynia szklanego przeznaczonego do mycia w zmywarkach lub miseczki i umieścić w górnym koszu, a następnie uruchomić cykl. (Ocet jest kwasem i przy częstym stosowaniu może uszkodzić urządzenie).
Na naczyniach pozostają zabrudzenia z jedzenia.	<p>Wybrano nieprawidłowy cykl</p> <ul style="list-style-type: none"> Wybrać prawidłowy cykl w oparciu o stopień zabrudzenia i rodzaj zmywanych naczyń.
	<p>Temperatura wody jest zbyt niska.</p> <ul style="list-style-type: none"> Sprawdzić, czy dopływ wody jest prawidłowo podłączony lub czy ustawienia podgrzewacza wody są odpowiednie.
	<p>Nie użyto detergentu do zmywarek.</p> <ul style="list-style-type: none"> Użyć zalecanego detergentu.
	<p>Niskie ciśnienie wody na wlocie</p> <ul style="list-style-type: none"> Ciśnienie wody powinno wynosić od 0,05 do 0,6 MPa.
	<p>Otwory dyszy wodnych na ramionach zraszacza są zablokowane.</p> <ul style="list-style-type: none"> Wyczyścić ramiona zraszacza.
	<p>Nieprawidłowo ułożone naczynia.</p> <ul style="list-style-type: none"> Upewnić się, że naczynia nie blokują dozownika detergentu lub obracających się ramion zraszacza.
	<p>Filtry są zatkane.</p> <ul style="list-style-type: none"> Wyczyścić filtry.
	<p>Na naczyniach znajduje się zbyt dużo resztek jedzenia.</p> <ul style="list-style-type: none"> Duże resztki jedzenia powinny zostać usunięte przed rozpoczęciem zmywania.

Suszenie

Objawy	Przyczyny & Rozwiązanie
Naczynia nie schną.	<p>Dozownik nablyszczacza jest pusty.</p> <ul style="list-style-type: none"> Sprawdzić i napełnić dozownik nablyszczacza, jeżeli jest pusty. W celu osiągnięcia lepszych rezultatów suszenia nieznacznie otworzyć drzwi po zakończeniu cyklu.
	<p>Użyte tabletki mogą nie zawierać nablyszczacza, co wpływa negatywnie na efektywność suszenia.</p> <ul style="list-style-type: none"> Zmienić tabletki na takie, które zawierają nablyszczacz (w razie wątpliwości skontaktować się z producentem tabletek). Można także wlać nablyszczacz w płynię do dozownika, jeżeli tabletki nie zawierają nablyszczacza.
	<p>Wybrano cykl bez opcji Extra Dry (Suszenie dodatkowe).</p> <ul style="list-style-type: none"> Wybrać cykl, w którym opcja Extra Dry (Suszenie dodatkowe) jest ustawieniem domyślnym.

Wi-Fi

Objawy	Przyczyny & Rozwiązanie
Urządzenie i smartfon nie są połączone z siecią Wi-Fi.	<p>Hasło do sieci Wi-Fi, z którą próbowano się połączyć, jest niepoprawne.</p> <ul style="list-style-type: none"> Należy odnaleźć sieć Wi-Fi, z którą łączy się smartfon, i usunąć ją, a następnie zarejestrować urządzenie w aplikacji LG ThinQ.
	<p>Dane mobilne na smartfonie są włączone.</p> <ul style="list-style-type: none"> Wyłączyć Mobile data w smartfonie i zarejestrować urządzenie poprzez sieć Wi-Fi.
	<p>Nazwa sieci bezprzewodowej (SSID) jest ustawiona nieprawidłowo.</p> <ul style="list-style-type: none"> Nazwa sieci bezprzewodowej (SSID) może zawierać litery alfabetu języka angielskiego oraz cyfry (nie stosować znaków specjalnych).
	<p>Częstotliwość sygnału routera jest inna niż 2,4 GHz.</p> <ul style="list-style-type: none"> Obsługiwana jest wyłącznie częstotliwość 2,4 GHz. Ustawić router sieci bezprzewodowej na częstotliwość sygnału 2,4 GHz i połączyć z nim urządzenie. Aby sprawdzić ustawioną częstotliwość, należy skontaktować się z dostawcą usług internetowych lub producentem routera.
	<p>Odległość między urządzeniem a routerem jest zbyt duża.</p> <ul style="list-style-type: none"> Jeżeli odległość między urządzeniem a routerem jest zbyt duża, sygnał może być słaby i połączenie może nie zostać skonfigurowane prawidłowo. Umieścić router bliżej urządzenia.

ZAŁĄCZNIK

Karta produktu

Rozporządzenie delegowane Komisji (UE) nr 2019/2017

Nazwa dostawcy lub znak towarowy: LG Electronics Inc

Adres dostawcy*2: LG Electronics European Shared Service Centre B.V., Krijgsman 1, 1186 DM Amstelveen, Holandia

*1 Dla programu eco.

*2 Zmian tych elementów nie uznaje się za istotne na potrzeby art. 4 ust. 4 rozporządzenia (UE) 2017/1369.

Identyfikator modelu: DF425***

Ogólne parametry produktu:

Parametr	Wartość	Parametr	Wartość
Pojemność znamionowa*1 osób	14	Wymiary w cm	Wysokość
			Szerokość
			Głębokość
EEI*1	49,9	Klasa efektywności energetycznej*1	D
Wskaźnik efektywności zmywania*1	1,13	Wskaźnik efektywności suszenia*1	1,07
Zużycie energii w kWh [na cykl], na podstawie programu eco z wykorzystaniem zimnej wody. Rzeczywiste zużycie energii zależy od sposobu użytkowania urządzenia.	0,849	Zużycie wody w litrach [na cykl], na podstawie programu eco. Rzeczywiste zużycie wody zależy od sposobu użytkowania urządzenia i twardości wody.	9,5
Czas trwania programu*1 (g:min)	03:13	Rodzaj	wolnostojąca
Emisja hałasu akustycznego*1 (dB(A) re 1 pW)	41	Klasa emisji hałasu akustycznego*1	B
Tryb wyłączenia (W)	0,49	Tryb czuwania (W)	0,49
Stan opóźnionego startu (W) (w stosownych przypadkach)	3,99	Tryb czuwania przy podłączeniu do sieci (W) (w stosownych przypadkach)	1,99
Minimalny okres gwarancji oferowanej przez dostawcę*2: 2 lata			
Informacje dodatkowe: www.lg.com			

Identyfikator modelu: DF325***

Ogólne parametry produktu:

Parametr	Wartość	Parametr	Wartość	
Pojemność znamionowa* ¹ osób	14	Wymiary w cm	Wysokość	85
			Szerokość	60
			Głębokość	60
EEI* ¹	55,9	Klasa efektywności energetycznej* ¹	E	
Wskaźnik efektywności zmywania* ¹	1,13	Wskaźnik efektywności suszenia* ¹	1,07	
Zużycie energii w kWh [na cykl], na podstawie programu eco z wykorzystaniem zimnej wody. Rzeczywiste zużycie energii zależy od sposobu użytkowania urządzenia.	0,951	Zużycie wody w litrach [na cykl], na podstawie programu eco. Rzeczywiste zużycie wody zależy od sposobu użytkowania urządzenia i twardości wody.	9,5	
Czas trwania programu* ¹ (g:min)	03:48	Rodzaj	wolnost ojąca	
Emisja hałasu akustycznego* ¹ (dB(A) re 1 pW)	42	Klasa emisji hałasu akustycznego* ¹	B	
Tryb wyłączenia (W)	0,26	Tryb czuwania (W)	0,26	
Stan opóźnionego startu (W) (w stosownych przypadkach)	3,99	Tryb czuwania przy podłączeniu do sieci (W) (w stosownych przypadkach)	1,99	
Minimalny okres gwarancji oferowanej przez dostawcę*²: 2 lata				
Informacje dodatkowe: www.lg.com				

Identyfikator modelu: DF325**

Ogólne parametry produktu:

Parametr	Wartość	Parametr	Wartość	
Pojemność znamionowa* ¹ osób	14	Wymiary w cm	Wysokość	85
			Szerokość	60
			Głębokość	60
EEI* ¹	55,9	Klasa efektywności energetycznej* ¹	E	
Wskaźnik efektywności zmywania* ¹	1,13	Wskaźnik efektywności suszenia* ¹	1,07	
Zużycie energii w kWh [na cykl], na podstawie programu eco z wykorzystaniem zimnej wody. Rzeczywiste zużycie energii zależy od sposobu użytkowania urządzenia.	0,951	Zużycie wody w litrach [na cykl], na podstawie programu eco. Rzeczywiste zużycie wody zależy od sposobu użytkowania urządzenia i twardości wody.	9,5	
Czas trwania programu* ¹ (g:min)	03:48	Rodzaj	wolnost ojąca	
Emisja hałasu akustycznego* ¹ (dB(A) re 1 pW)	44	Klasa emisji hałasu akustycznego* ¹	B	
Tryb wyłączenia (W)	0,26	Tryb czuwania (W)	0,26	
Stan opóźnionego startu (W) (w stosownych przypadkach)	3,99	Tryb czuwania przy podłączeniu do sieci (W) (w stosownych przypadkach)	1,99	
Minimalny okres gwarancji oferowanej przez dostawcę*²: 2 lata				
Informacje dodatkowe: www.lg.com				

Rozporządzenie delegowane Komisji (UE) nr 1059/2010

Nazwa lub znak towarowy producenta	LG			
	DF425***	DF325***	DF325**	
Identyfikator modelu dostawcy	DF425***	DF325***	DF325**	
Pojemność znamionowa dla standardowego serwisu i przy zastosowaniu standardowego cyklu zmywania	14			osób
Klasa efektywności energetycznej	A+++	A++	A++	
Produkt otrzymał oznakowanie ekologiczne UE na mocy rozporządzenia (WE) nr 66/2010	Nie			
Zużycie energii w kWh rocznie w oparciu o 280 standardowych cykli zmywania przy użyciu zimnej wody i trybów energooszczędnych. Rzeczywiste zużycie energii zależy od sposobu użytkowania urządzenia.	237	266	266	kWh/rok
Zużycie energii (Et) w standardowym cyklu zmywania	0,83	0,944	0,944	kWh
Zużycie energii w trybie wyłączonym	0,49	0,26	0,26	W
Zużycie energii w trybie czuwania	0,49	0,26	0,26	W
Zużycie wody w litrach rocznie w oparciu o 280 standardowych cykli zmywania. Rzeczywiste zużycie wody zależy od sposobu użytkowania urządzenia.	2700			litry/rok
Klasa efektywności suszenia w skali od G (najniższa efektywność) do A (najwyższa efektywność)	A			
Program Ekologiczny to standardowy cykl zmywania, do którego odnoszą się informacje zawarte na etykiecie i w karcie produktu. Program ten jest odpowiedni do zmywania zastawy stołowej zabrudzonej w stopniu normalnym i stanowi najbardziej efektywny program pod względem zużycia energii i wody.				
Czas trwania standardowego cyklu zmywania	193	228	228	min.
Czas trwania trybu czuwania (TI)	1			min.
Emisja hałasu akustycznego	41	42	44	dB(A)
Urządzenie wolno stojące				

MANUALUL UTILIZATORULUI

MAȘINĂ DE SPĂLAT VASE



Înainte de a începe instalarea, citiți cu atenție aceste instrucțiuni. Lucrul acesta va simplifica instalarea și va garanta că produsul este instalat corect și în siguranță. Lăsați instrucțiunile în apropierea produsului după instalare, pentru referințe ulterioare.

ROMÂNĂ

DF425*** / DF325*** / DF325**

CUPRINS

Acest manual poate conține imagini sau detalii care diferă față de modelul achiziționat.

Acest manual este supus revizuirii de către producător.

INSTRUCȚIUNI DE SIGURANȚĂ

CITIȚI TOATE INSTRUCȚIUNILE ÎNAINTE DE UTILIZARE.....	4
FRAZE DE AVERTIZARE	4
FRAZE DE ATENȚIONARE	10
AVEM GRIJĂ DE MEDIUL ÎNCONJURĂTOR	11

INSTALARE

Piese și specificații.....	12
Pregătirea deschiderii dulapului	14
Stabilizarea aparatului.....	17
Instalarea furtunului de scurgere.....	18
Pregătirea racordului de apă și a conexiunii electrice	19
Verificare finală după instalare	20

OPERARE

Înainte de utilizare	22
Prezentarea generală a operării	26
Panou de control.....	28
Cicluri de spălare.....	29
Opțiuni și funcții suplimentare.....	30
Tabel referitor la programe	33
Informații pentru testare	40
Încărcarea mașinii de spălat vase	41
Adăugarea agenților de curățare.....	47
Reumplere.....	49
Sfaturi utile.....	49

FUNCȚII INTELIGENTE

Aplicația LG ThinQ.....	51
Smart Diagnosis	53

ÎNTREȚINEREA

Curățare și întreținere	55
-------------------------------	----

DEPANARE

Înainte de a apela serviciul59

ANEXĂ

Fișa produsului66

INSTRUCȚIUNI DE SIGURANȚĂ

CITIȚI TOATE INSTRUCȚIUNILE ÎNAINTE DE UTILIZARE

Următoarele îndrumări de siguranță au scopul de a preveni riscurile neprevăzute sau daunele provenite din operarea nesigură sau incorectă a produsului.

Îndrumările sunt separate în „AVERTISMENT” și „ATENȚIE”, după cum se descrie mai jos.

Mesaje de siguranță



Acest simbol este afișat pentru a indica problemele și operațiunile care pot provoca riscuri.

Citiți cu atenție partea care conține acest simbol și urmați instrucțiunile pentru a evita riscul.



AVERTISMENT

Acesta indică faptul că nerespectarea instrucțiunilor poate provoca vătămarea gravă sau decesul.



ATENȚIE

Acesta indică faptul că nerespectarea instrucțiunilor poate provoca vătămarea ușoară sau deteriorarea produsului.

FRAZE DE AVERTIZARE



AVERTISMENT

- Pentru a reduce riscul de explozie, incendiu, deces, electrocutare, vătămare sau opărire a persoanelor la utilizarea acestui produs, luați măsuri elementare de precauție, inclusiv următoarele:

Siguranța tehnică

- Acest aparat nu este destinat utilizării de către persoane (inclusiv copii) cu capacități fizice, senzoriale sau mentale reduse, sau

- persoane lipsite de experiență și cunoștințe, cu excepția cazului în care acestea sunt supravegheate sau instruite cu privire la utilizarea aparatului de către persoana responsabilă cu siguranța lor. Copiii trebuie supravegheați, pentru a vă asigura că nu se joacă cu aparatul.
- Respectați informațiile prezentate în secțiunea Specificații cu privire la numărul maxim de seturi de vase care pot fi introduse în mașina de spălat vase.
 - Presiunea apei trebuie să fie între 0,05 și 0,6 MPa.

Instalare

- Nu încercați niciodată operarea aparatului dacă acesta este deteriorat, nefuncțional, parțial dezasamblat sau are piese lipsă sau rupte, inclusiv un cablu sau un ștecăr deteriorat.
- În cazul în care cablul de alimentare este deteriorat sau dacă priza este slăbită, nu utilizați cablul de alimentare și contactați un centru de service autorizat.
- Nu modificați cablul de alimentare furnizat odată cu aparatul. Contactați centrul de informare pentru clienți LG pentru a primi sfaturi privind incompatibilitatea acestuia.
- Aparatul trebuie transportat doar de către două sau mai multe persoane și în timp ce se ține bine de aparat.
- Nu instalați aparatul într-un loc umed și cu praf. Nu instalați și nu depozitați aparatul în aer liber sau într-o zonă expusă la condițiile atmosferice, cum ar fi lumina directă a soarelui, vânt, precipitații sau temperaturi sub punctul de îngheț.
- Nu introduceți în priză fișe multiple, un prelungitor sau un adaptor cu acest aparat.
- Deconectați cablul de alimentare, siguranța casei sau disjunctorul înainte de instalarea sau service-ul aparatului.
- Când mutați sau instalați produsul într-o altă locație, apălați personalul de service calificat pentru instalare și service.
- Fixați în siguranță furtunul de scurgere.
- Acest aparat nu este proiectat pentru utilizarea maritimă sau pentru instalații mobile, cum ar fi în rulote, remorci sau aeronave.

- Acest aparat trebuie poziționat în apropierea unei surse de alimentare cu energie electrică.
- Când instalați sau mutați aparatul aveți grijă să nu îndoitiți, zdrobiți sau deteriorați cablul de alimentare.
- Utilizați un furtun nou sau setul de furtunuri furnizat cu aparatul. Refolosirea furtunurilor vechi poate cauza scurgeri de apă și deteriorarea ulterioară a bunului.
- Conectarea incorectă a conductorului pentru împământarea echipamentelor poate avea drept consecință șocul electric. Verificați prin intermediul unui electrician calificat sau al unei persoane responsabile cu reparațiile în cazul în care aveți îndoieli cu privire la împământarea corectă a aparatului.
- Acest aparat trebuie împământat. În cazul unei defecțiuni, împământarea va reduce riscul de șoc electric, prin crearea unei căi cu rezistență minimă pentru curentul electric.
- Acest aparat este dotat cu un cablu de alimentare care are conductor pentru împământarea echipamentelor și fișă de rețea cu împământare. Fișa de rețea trebuie conectată într-o priză corespunzătoare, care este instalată și împământată corespunzător, în conformitate cu toate codurile și regulamentele locale.
- După instalare verificați conexiunea furtunului dacă prezintă scurgeri înainte de a muta aparatul în deschiderea dulapului.
- Nu deteriorați și nu așezați obiecte grele pe cablul de alimentare al aparatului.
- Acest aparat este destinat numai utilizării casnice și domestice și nu trebuie utilizat în scopuri comerciale.
- Pentru o mașină de spălat vase conectată permanent: acest aparat trebuie conectat la un sistem permanent de legare la pământ din metal sau un conductor de împământare a echipamentului trebuie să prezinte legătură cu conductorii de circuit și să fie conectat la terminalul de împământare a echipamentului sau să conducă la aparat.
- Conectați cablul de împământare la conectorul de împământare verde din cutia cu borne.

Operare

- Deconectați imediat fișa de alimentare și contactați centrul de informare pentru clienți LG Electronics dacă detectați un sunet ciudat, miros sau fum provenind de la aparat.
- Nu reparați și nu înlocuiți nicio piesă a aparatului. Toate reparațiile și lucrările de service trebuie efectuate de către personal de service calificat, cu excepția cazului în care este altfel recomandat în acest manual al proprietarului. Utilizați numai piese de schimb autorizate.
- Nu lăsați ușa aparatului deschisă. Copiii s-ar putea agăța de ușă sau s-ar putea târî în interiorul aparatului, provocând deteriorare sau rănire.
- Nu utilizați gaz inflamabil și substanțe combustibile (benzen, benzină, diluant, petrol, alcool etc.) în apropierea aparatului.
- Nu încercați să separați panourile sau să demontați aparatul. Nu acționați cu obiecte ascuțite asupra panoului de control pentru a opera aparatul.
- Nu îndoiiți cablul de alimentare în mod excesiv sau nu așezați un obiect greu peste acesta.
- Nu așezați animale, precum animalele de companie, în interiorul aparatului.
- Nu atingeți fișa de rețea sau butoanele aparatului cu mâinile ude.
- Dacă există o scurgere de gaz (izobutan, propan, gaz natural etc.), nu atingeți aparatul sau fișa de rețea și ventilați imediat zona.
- În caz de inundații, deconectați fișa de alimentare și contactați Centrul de informații pentru clienți LG Electronics.
- În anumite condiții, hidrogenul în stare gazoasă poate fi produs într-un sistem de apă caldă care nu a fost utilizat timp de două săptămâni sau mai mult. HIDROGENUL GAZOS ESTE EXPLOZIV. Dacă sistemul de apă caldă nu a fost folosit timp de o astfel de perioadă, înainte de a folosi aparatul porniți toate robinetele de apă caldă și lăsați apa să curgă din fiecare pentru câteva minute. Acest lucru va elibera orice hidrogen gazos acumulat. Deoarece gazul este inflamabil, nu fumați și nu utilizați o flacără deschisă în acest timp.

- Îndepărtați din zona de dedesubtul și din jurul aparatelor dumneavoastră materialele combustibile, cum ar fi scamele, hârtia, cârpele, produsele chimice etc.
- Unii detergenți pentru mașini de spălat vase sunt puternic alcalini. Aceștia pot fi extrem de periculoși dacă sunt înghițiți. Evitați contactul cu pielea și ochii și păstrați copiii la distanță de mașina de spălat vase atunci când ușa este deschisă. Verificați dacă recipientul de detergent este gol după finalizarea ciclului de spălare.
- Nu utilizați aparatul decât dacă toate panourile carcasei sunt amplasate în locul corect.
- Utilizați numai detergenți sau agenți de înmuiere recomandați pentru utilizarea într-un aparat și nu îi păstrați la îndemâna copiilor.
- Nu spălați și nu uscați articolele care au fost înmuiate în substanțe explozive, cum ar fi benzina, solvenții, detergenții pe bază de solvenți.
- Atunci când încărcați obiectele care urmează să fie spălate:
 - Identificați obiectele ascuțite, astfel încât să nu se deterioreze garnitura de etanșare a ușii.
 - Introduceți cuțitele ascuțite cu mânerul în sus pentru a reduce riscul rănilor prin tăiere.
- Nu spălați obiectele din plastic decât dacă sunt marcate „sigure pentru mașina de spălat vase” sau echivalent. Pentru articolele din plastic care nu sunt marcate în mod corespunzător, consultați recomandările producătorului.
- Nu atingeți niciun element de încălzire (unde este expus) în timpul sau imediat după utilizare.
- Nu utilizați abuziv, nu stați pe ușă sau pe suportul de vase al mașinii de spălat vase.
- După curățarea vaselor, opriți robinetul. Porniți din nou robinetul și verificați starea conexiunii furtunului de alimentare cu apă înainte de curățare.
- Nu deschideți ușa în timp ce aparatul funcționează. Apa va fi stropită în exterior și ar putea provoca un pericol de alunecare.
- Fiți atenți să nu vă prindeți mâna atunci când închideți ușa aparatului.

- Nu spălați și nu uscați articolele care au fost înmuiate în substanțe explozive, cum ar fi benzina, solvenții, detergenții pe bază de solvenți.
- Nu intrați în contact cu niciun orificiu de evacuare a aburilor montat.
- Piese mici, cum ar fi clemele de prindere și elementele de reținere a filtrului, pot reprezenta un pericol de sufocare pentru copiii mici dacă sunt îndepărtate din mașina de spălat vase. Nu le lăsați la îndemâna copiilor mici.
- Cuțitele și alte ustensile cu puncte ascuțite trebuie să fie introduse în coș cu vârfurile în jos sau plasate într-o poziție orizontală.
- Ușa nu trebuie lăsată în poziție deschisă, deoarece acest lucru ar putea prezenta un pericol de alunecare.

Întreținerea

- Nu deconectați niciodată aparatul trăgând de cablul de alimentare. Apucați întotdeauna ferm de ștecăr și trageți-o în linie dreaptă din priză.
- Conectați bine ștecărul în priză după ce umezeala și praful au fost îndepărtate complet.
- Nu pulverizați apă în interiorul sau pe suprafața exterioară a aparatului pentru a-l curăța.
- Deconectați aparatul de la sursa de alimentare înainte de a-l curăța. Setarea butoanelor de comandă în poziția OFF (OPRIT) sau în așteptare nu deconectează aparatul de la sursa de alimentare.

Eliminare

- Înainte de a arunca un aparat vechi, va trebui să îl deconectați. Tăiați cablul direct din spatele aparatului, pentru a evita utilizarea necorespunzătoare.
- Aruncați toate materialele de ambalare (precum pungi de plastic sau polistiren) departe de copii. Materialele de ambalare pot provoca sufocarea.
- Îndepărtați ușa înainte de a elimina sau a arunca acest aparat, pentru a evita pericolul de blocare a copiilor sau animalelor mici în interiorul aparatului.

FRAZE DE ATENȚIONARE

ATENȚIE

- Pentru a reduce riscul de incendiu, șoc electric sau vătămări corporale atunci când utilizați produsul dumneavoastră, trebuie respectate măsurile de siguranță de bază, inclusiv următoarele:
-

Instalare

- Montați produsul pe o podea stabilă și plană.
- Nu puneți furtunul de evacuare sub mașina de spălat vase în timpul montajului.

Operare

- Opriți robinetul de apă și deconectați aparatul dacă acesta trebuie lăsat neutilizat pentru o perioadă lungă de timp, cum ar fi pe timpul vacanțelor.
- Nu așezați obiecte pe partea superioară a aparatului.
- Nu ștergeți sau acoperiți suprafața produsului cu detergent lichid sau cu înălbitor (clor, înălbitor pe bază de oxigen și așa mai departe). Nerespectarea acestor instrucțiuni poate duce la coroziunea sau decolorarea stratului de acoperire.
- Nu atingeți apa care se scurge din mașină, deoarece aceasta ar putea fi fierbinte.
- Dacă furtunul de evacuare și furtunul de alimentare cu apă sunt înghețate iarna, dezghețați-le înainte de utilizare.
- Nu puneți mâinile, picioarele sau obiecte metalice sub aparat sau în spatele aparatului.
- Nu spălați vase contaminate cu produse chimice, precum ulei, cremă sau loțiuni folosite într-un salon de masaj, magazin cu produse de îngrijire a pielii, magazin de cosmetice sau frizerie.

Întreținerea

- Dacă uleiul de gătit este vărsat pe exteriorul produsului, ștergeți-l imediat. Nu curățați exteriorul produsului cu detergenți care conțin alcool, diluanți, înălbitori, benzen, lichide inflamabile sau materiale abrazive. Aceste substanțe pot determina decolorarea sau deteriorarea aparatului.

AVEM GRIJĂ DE MEDIUL ÎNCONJURĂTOR

Eliminarea aparatului vechi



- Simbolul de pubelă indică faptul că deșeurile de echipamente electrice și electronice (DEEE) trebuie eliminate separat de celelalte deșeuri.
- Produsele electrice și electronice vechi conțin substanțe periculoase. Astfel, prin eliminarea corespunzătoare veți contribui la prevenirea deteriorării mediului înconjurător și al sănătății umane. Este posibil ca dispozitivul dvs. vechi să conțină piese componente care pot fi folosite pentru repararea altor produse sau materiale importante ce pot fi reciclate în scopul economisirii resurselor limitate.
- Dispozitivul vechi poate fi returnat magazinului de unde a fost achiziționat sau puteți contacta firma responsabilă pentru eliminarea deșeurilor în scopul aflării locației unității autorizate pentru reciclarea deșeurilor electrice și electronice (WEEE). Pentru informații mereu actualizate și referitoare la țara dumneavoastră, vă rugăm să vizitați pagina de Internet www.lg.com/global/recycling.

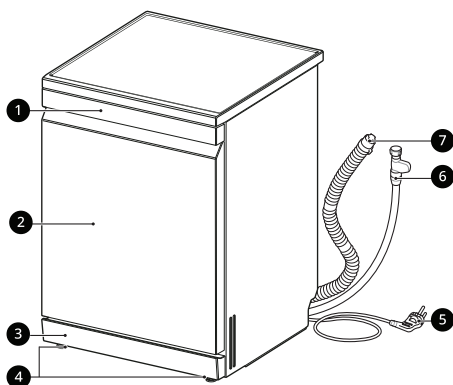
INSTALARE

Piese și specificații

NOTĂ

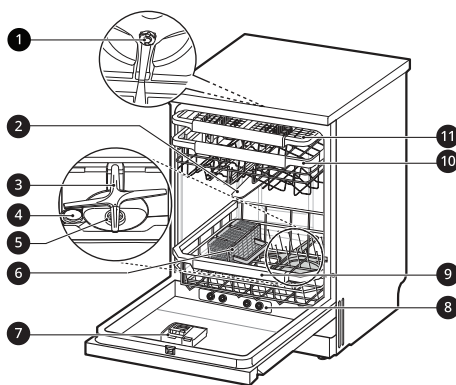
• Aspectul și specificațiile pot varia fără o notificare prealabilă în vederea îmbunătățirii calității aparatului.

Imagine față



- 1 Panoul de control și mânerul ușii
- 2 Capac față
- 3 Capac inferior
- 4 Piciorușe de nivelare
- 5 Cablu de alimentare
- 6 Furtun de alimentare cu apă
- 7 Furtun de scurgere

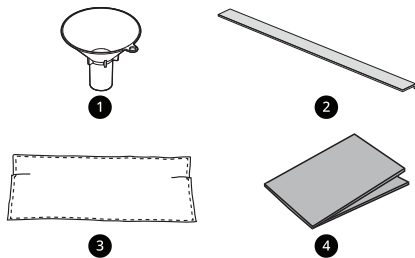
Imagine interior



- 1 Centrifugă superioară de spălare
- 2 Braț superior de pulverizare
- 3 Braț inferior de pulverizare
- 4 Capacul recipientului de sare
- 5 Sistem de filtrare
- 6 Coș pentru tacâmuri*1
- 7 Dozator pentru detergent și agent de clătire
- 8 Duză de abur*1
- 9 Raft inferior
- 10 Raft superior
- 11 Raft pentru tacâmuri*1

*1 Această caracteristică este disponibilă doar la unele modele.

Accesorii



- ❶ Pâlnie
- ❷ Fâșie de etanșare contra zgomotului*1
- ❸ Pâslă de acoperire
- ❹ Bandă de protecție împotriva umidității (bandă de aluminiu)

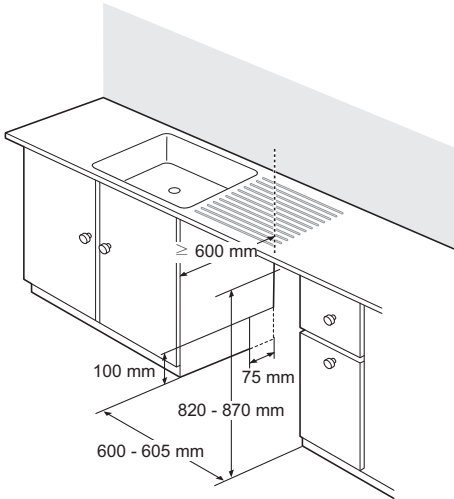
*1 Sunt furnizate fâșii de etanșare contra zgomotului: jos - 1 buc., frontal - 1 buc. lateral - 2 buc.

Specificații

Model	DF325*** / DF325**	DF425***
Alimentare cu energie electrică	220 - 240 V~, 50 Hz	
Dimensiune (Lățime X Adâncime X Înălțime)	600 mm X 600 mm X 850 mm	
Greutate produs	Aprox. 49 kg	Aprox. 52 kg
Capacitate maximă	14 seturi de vase	
Presiune permisă de admisie a apei	0,05 - 0,6 MPa	
Consum de energie	1600 - 1800 W	

Pregătirea deschiderii dulapului

Alegerea locației potrivite



- Instalați aparatul pe o suprafață plană și stabilă.
- Realizați un decupaj pentru furtunuri și cabluri electrice de o parte și de alta. (Aproximativ 100 mm X 75 mm)
- Alegeți o locație cât mai aproape de chiuvetă posibil pentru a facilita conectarea la conductele de apă și de scurgere.
- Pentru a asigura scurgerea, aparatul nu trebuie instalat la mai mult de 1 metru distanță de chiuvetă.
- Dacă aparatul este instalat într-un colț, permiteți o distanță minimă de cel puțin 50 mm între aparat și un dulap sau perete adiacent.
- Înainte de a glisa aparatul în orificiul de instalare, toate ajustările de înălțime necesare trebuie realizate cu ajutorul unei chei.

⚠ ATENȚIE

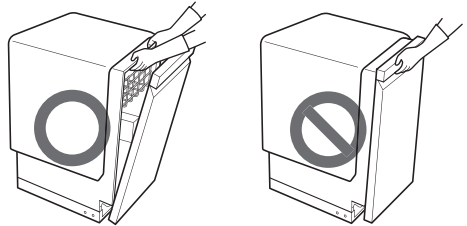
- Orice lemn natur care înconjoară aparatul trebuie etanșat cu o vopsea impermeabilă sau cu material de etanșare pentru a preveni umflarea acestuia.
- Glisați mașina de spălat vase în deschizătura dulapului cu atenție. Asigurați-vă că furtunul de

evacuare din spatele mașinii și din interiorul dulapului nu este îndoit sau întins.

- Montați aparatul pe o suprafață plană și stabilă. Nu așezați obiecte între podea și baza sau piciorul aparatului.

NOTĂ

- Această instalare trebuie efectuată de personalul de service calificat pentru a asigura faptul că acesta a fost instalat corect.
- Nu trageți sau ridicați aparatul utilizând mânerul; dacă faceți acest lucru, atunci se pot deteriora ușa și balamalele. Deschideți ușa și prindeți cadrul corpului și deschiderea frontală superioară a cuvei pentru a mișca sau ridica aparatul.



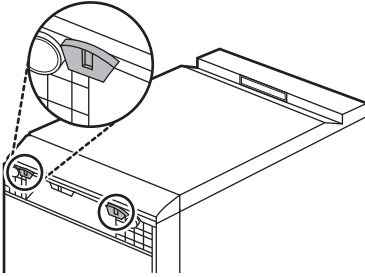
- Nu împingeți ușa mașinii de spălat vase cu genunchii.



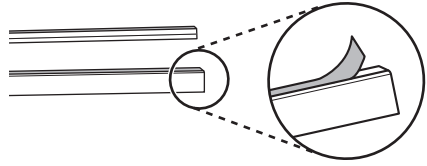
Atașarea fâșiei la baza aparatului

Pentru a reduce zgomotul, atașați fâșia la baza aparatului.

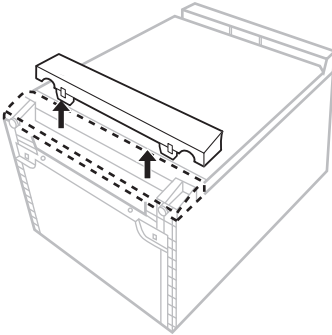
- 1** Așezați aparatul pe sol și trageți ambele cârlige din partea inferioară a capacului inferior.



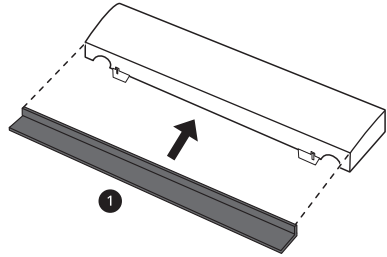
- 4** Scoateți banda dublă de pe fâșiile inferioare și frontale.



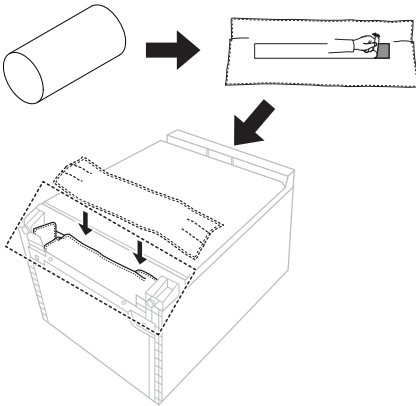
- 2** Trageți de capatul inferior pentru a-l scoate.



- 5** Fixați fâșia inferioară de culoare neagră ① la partea inferioară a capacului inferior.

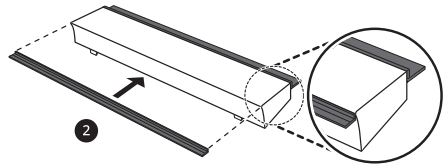


- 3** Scoateți banda dublă de pe partea din spate a pâslei și atașați-o în partea din față a bazei aparatului.

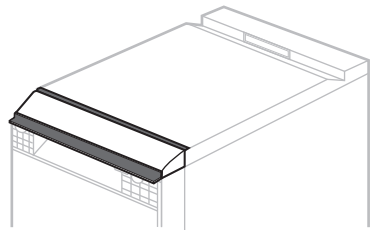


- 6** Fixați fâșia frontală de culoare neagră ② la partea superioară a capacului inferior.

- Lungimea fâșiei frontale este mai lungă decât capacul inferior. Atașați fâșia frontală, astfel încât ieșirea în consolă să fie egală pe ambele părți ale capacului inferior.



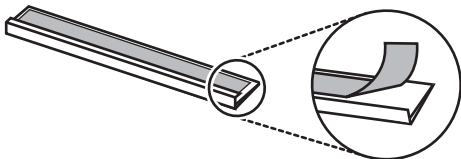
- 7** Fixați capacul inferior pe aparat cu fâșia.



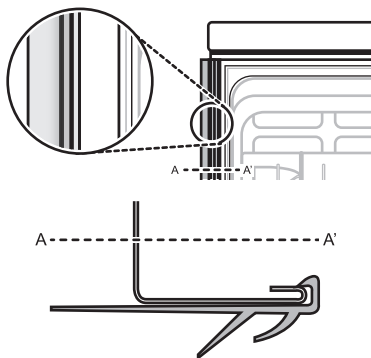
Fixarea fâșiei la dulapul de pe partea aparatului

Pentru a reduce zgomotul, atașați fâșia la părțile laterale ale aparatului, dacă spațiul de deschidere permite acest lucru.

- 1 Scoateți banda dublă de pe fâșiile laterale.



- 2 Atașați fâșia laterală de partea frontală a dulapului lateral și apoi împingeți în jos fâșia laterală, astfel încât fâșia laterală să adere în mod corespunzător la dulap.

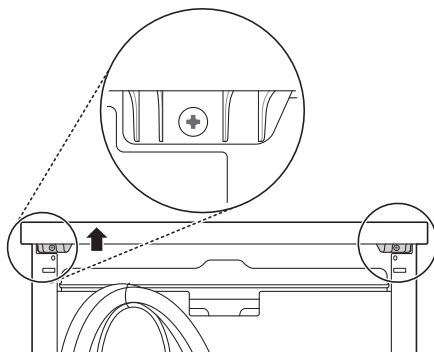


- 3 Repetați pașii de mai sus pentru a atașa fâșia laterală opusă pe dulapul de pe partea opusă.

Îndepărtarea capacului superior

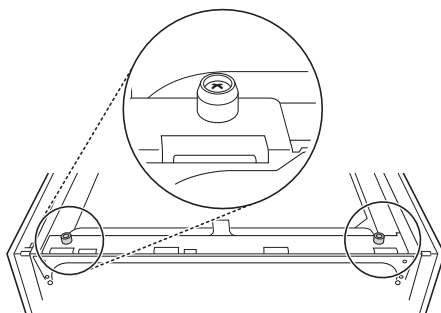
Dacă înălțimea deschiderii este mai mică de 850 mm, urmați aceste instrucțiuni.

- 1 Scoateți cele 2 șuruburi din spate.



- 2 Trageți capacul superior în spate după îndepărtarea celor două șuruburi și apoi ridicăți-l pentru a-l scoate.

- 3 Scoateți știfturile de poziționare de pe partea superioară utilizând o șurubelniță Phillips.



NOTĂ

- Atunci când aparatul este echilibrat corect, iar ușa este deschisă, nu trebuie să existe niciun sunet de înclinare, lipire sau frecare.

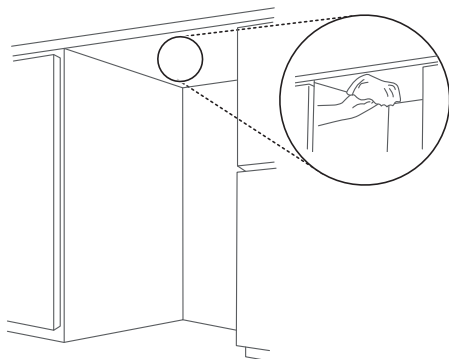
Instalarea benzii pentru bariera împotriva umidității

Când aparatul este instalat fără capacul superior, partea inferioară a blatului poate fi deteriorată de aburi sau de condens atunci când ușa este deschisă.

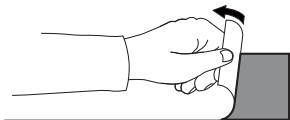
- Instalați banda de protecție împotriva umezelii la partea inferioară a blatului pentru a proteja

blatul de condens atunci când aparatul a fost deschis.

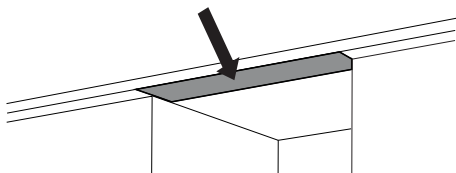
- 1 Curățați și uscați partea inferioară a blatului pe care va fi atașată banda.



- 2 Scoateți pelicula de protecție de pe bandă.



- 3 Instalați banda pe partea inferioară a blatului.



NOTĂ

- Banda pentru bariera contra umidității este inclusă în trusa de montaj manual.
- Dacă blatul este realizat din materiale impermeabile, banda pentru bariera împotriva umidității nu este necesară.
- Condensarea poate avea loc pe partea inferioară sau de-a lungul marginii frontale a blatului, atunci când temperatura camerei este scăzută.

Stabilizarea aparatului

Verificarea nivelului

Stabilizarea aparatului previne scurgerile inutile și spălarea necorespunzătoare. Verificați dacă aparatul este perfect nivelat după instalare.

- În cazul în care aparatul vibrează atunci când împingeți pe diagonală placa superioară a acestuia, reglați din nou picioarele.

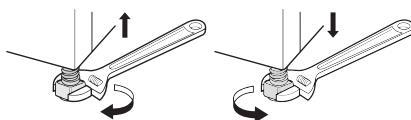
NOTĂ

- Aparatul nu este plan în cazul în care există un sunet de frecare sau de lipire atunci când se deschide ușa.

Reglarea și nivelarea aparatului

Când aparatul nu este perfect nivelat, rotiți picioarele ajustabile până când aparatul nu mai vibrează.

- Rotiți picioarele ajustabile în sensul acelor de ceasornic pentru ridicare sau în sens contrar acelor de ceasornic pentru corobâre față-spate, lateral-lateral, colț-colț.



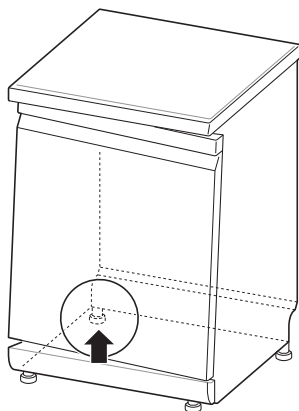
NOTĂ

- Așezați aparatul pe o podea stabilă și plană.
- Nu instalați aparatul pe o suprafață ridicată.

Cazul 1. Ușa este înclinată spre dreapta

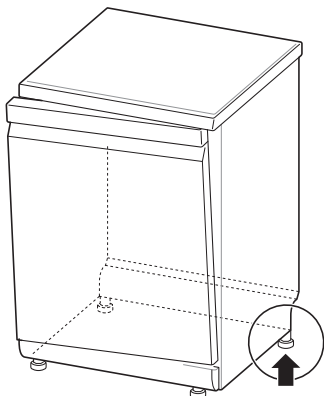
- 1 Deșurubați (în sens contrar acelor de ceasornic) piciorușul din stânga spate și corectați nivelul.

- 2** Verificați deschiderea ușii și repetați, dacă este necesar, până când ușa se deschide și se închide corect.



Cazul 2. Ușa este înclinată spre stânga

- 1** Deșurubați (în sens contrar acelor de ceasornic) piciorușul din dreapta spate și corectați nivelul.
- 2** Verificați deschiderea ușii și repetați, dacă este necesar, până când ușa se deschide și se închide corect.



Instalarea furtunului de scurgere

Atunci când capătul furtunului de scurgere nu se potrivește în țeava de scurgere, utilizați un kit de extensie a scurgerii (opțional) care este rezistent la căldură și la detergent.

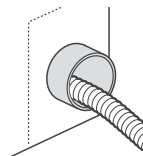
- Acesta ar trebui să fie disponibil la un magazin de instalații sanitare sau de la un magazin de materiale de construcții.

Conectarea la racordul pentru evacuare

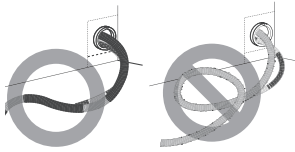
Verificați racordul de evacuare la prima instalare. O eroare DE poate apărea atunci când racordul pentru evacuare de sub chiuvetă nu este găurit în mod corespunzător. Pentru a conecta furtunul de evacuare, executați cel puțin o gaură cu diametrul de 15 mm în țeava de evacuare, înainte deconectare și asigurare.

⚠ ATENȚIE

- Asigurați-vă că resturile de plastic nu rămân în interiorul racordului după ce a fost realizată găurirea.
- Nu încercați să deschideți gura pentru evacuare cu o șurubelniță și un ciocan. Acest lucru va cauza blocarea resturilor și o funcționare defectuoasă.
- Trebuie luate măsuri de precauție atunci când treceți furtunurile prin orificiile dulapului, deoarece acestea pot avea muchii ascuțite și ar putea deteriora furtunurile. Neteziți sau sablați marginile pentru a evita deteriorarea furtunului de scurgere sau de alimentare.



- Asigurați-vă că respectiva conductă nu este încovoiată sau îndoită.

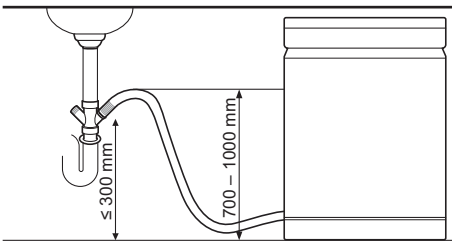


- Asigurați-vă că furtunul de evacuare este drept înainte de a alimenta capătul acestuia prin orificiul pentru alimentarea cu apă.

Pentru a preveni sifonarea trebuie utilizată una dintre următoarele metode.

Metoda 1

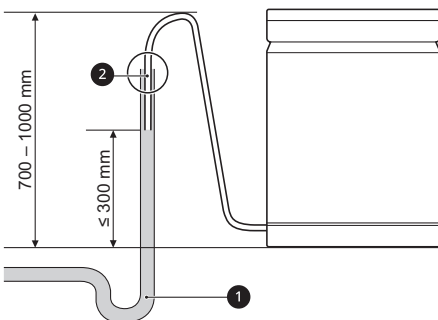
Când furtunul de evacuare este conectat la un racord de evacuare, furtunul trebuie să fie îndoit până la partea inferioară a blatului și asigurat.



Metoda 2

Când furtunul de evacuare este conectat la o conductă separată de legătură la furtun ①, este esențial să se realizeze un racord etanș ②. Altfel pot apărea mirosuri nepăcute.

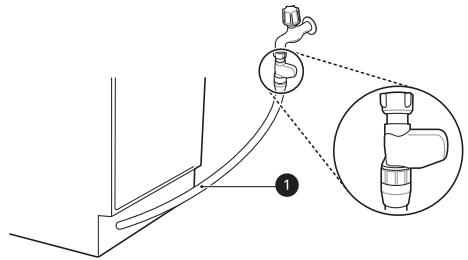
- Diametrul conductei de legătură la furtun este de cel puțin 40 mm.



Pregătirea racordului de apă și a conexiunii electrice

Conectarea furtunului la robinetul de apă

Conectați furtunul de alimentare cu apă ① la robinetul de apă.

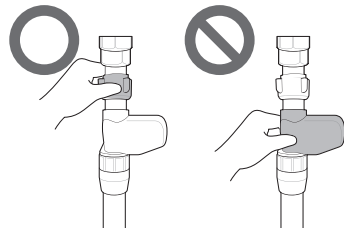


⚠ AVERTISMENT

- Nu scurtați sau deteriorați furtunul de alimentare cu apă, deoarece conține cabluri și componente electrice. Acesta nu poate fi detașat sau îndepărtat din aparat pentru instalare.
- Este important ca furtunul de alimentare cu apă să nu fie modificat, tăiat, dezasamblat, tras sau îndoit. Acesta conține cabluri electrice în interior care, dacă sunt deteriorate, pot provoca un pericol de natură electrică.

⚠ ATENȚIE

- Utilizați piulița filetată a furtunului de alimentare cu apă numai pentru a o strânge de robinet.
- Nu răsuciți sau îndoiți furtunul de alimentare cu apă atunci când îl racordați la robinet.



- Acest aparat poate fi alimentat cu apă caldă sau rece. Dacă racordul de apă nu poate fi menținut sub 65 °C, aparatul trebuie conectat la apă rece.

⚠ ATENȚIE

- Utilizați bandă de etanșare sau un compozit de etanșare pe filetul robinetului pentru a evita scurgerile de apă.
- Asigurați-vă că respectiva conductă nu este încovoiată sau îndoită.

NOTĂ

- Înainte de a conecta furtunul de alimentare cu apă la robinet, rotiți robinetul pentru a îndepărta elementele (murdărie, nisip sau rumeguș) din conductele de apă. Lăsați apa să se scurgă într-o găleată.
- Este nevoie de aproximativ 3 - 4 minute pentru prima alimentare cu apă.

Pozarea cablurilor electrice

Conectați aparatul la o priză cu împământare, în conformitate cu reglementările actuale privind cablarea, protejat cu un disjuncteur de minim 15 Amperi sau de siguranțe cu temporizare.

Cablarea trebuie să fie reprezentată de două fire cu împământare.

Cablul de alimentare nu trebuie să fie poziționat în spatele aparatului, ci în limita a 1,2 metri de partea laterală, astfel încât fișa să fie ușor accesibilă.

⚠ AVERTISMENT

- Pentru siguranța personală, scoateți siguranța casei sau deschideți disjuncteurul sau întrerupeți alimentarea înainte de instalare.
- Nu utilizați un prelungitor sau un adaptor dublu.
- Ștecărul trebuie conectat într-o priză corespunzătoare, care este instalată și împământată corespunzător, în conformitate cu toate codurile și regulamentele locale.
- Reparațiile la aparat trebuie efectuate numai de personal calificat de service. Reparațiile efectuate de persoane neexperimentate pot provoca vătămări corporale sau defecțiuni grave. Contactați centrul nostru local de service.
- Conectați-vă la un circuit de alimentare cu tensiunea corespunzătoare, protejat și

dimensionat în mod corespunzător, pentru a evita supraîncărcarea electrică.

Verificare finală după instalare

Testarea mașinii de spălat vase

- 1** Porniți alimentarea electrică.
- 2** Porniți alimentarea cu apă din casă.
- 3** Ușa ar trebui să se deschidă și să se închidă ușor și fără zgomote puternice, dacă unitatea a fost corect nivelată.
- 4** Porniți aparatul cu un ciclu **Rinse (Clătire)** pentru a verifica funcționarea corectă și pentru a verifica dacă există scurgeri.

Coduri de eroare la verificarea după instalare

Cod de eroare	Cauză și soluție posibilă
OE	Furtunul de scurgere este îndoit sau fisurat. <ul style="list-style-type: none">• Alimentați furtunurile de evacuare și alimentare prin orificiul de sub chiuvetă. Apoi glišați treptat mașina de spălat vase în dulap în timp ce trageți de furtunuri sub chiuvetă pentru a evita orice joc. Acest lucru ajută la evitarea îndoirii furtunurilor sau la prinderea acestora sub mașina de spălat vase.
	Racordul de evacuare de sub chiuvetă este înfundat. <ul style="list-style-type: none">• Îndepărtați reziduurile din racordul de sub chiuvetă.

Cod de eroare	Cauză și soluție posibilă
I E	Conducta de alimentare cu apă este îndoită sub mașina de spălat vase. <ul style="list-style-type: none">Alimentați furtunurile de evacuare și alimentare prin orificiul de sub chiuvetă. Apoi glisați treptat mașina de spălat vase în dulap în timp ce trageți de furtunuri sub chiuvetă pentru a evita orice joc. Acest lucru ajută la evitarea îndoirii furtunurilor sau la prinderea acestora sub mașina de spălat vase.
	Alimentarea cu apă nu este pornită. <ul style="list-style-type: none">Porniți apa. Presiunea apei poate fi prea mare sau prea mică.

OPERARE

Înainte de utilizare

Acest model prezintă un agent de dedurizare a apei pentru a deduriza apa dură.

NOTĂ

- Aparatul poate fi utilizat fără sare pentru spălat vase, dacă acest lucru nu este necesar, cu toate acestea, nivelul de duritate trebuie să fie setat la H0, astfel încât pictograma să nu rămână aprinsă.
- Pentru a obține rezultate satisfăcătoare la clătire, aparatul necesită apă dedurizată, adică conținând puțin sau deloc calcar, în caz contrar vor rămâne urme pe vase și în interiorul aparatului.
- Dacă apa de la robinet depășește un anumit nivel de duritate, aceasta trebuie să fie dedurizată, adică decalcifiată. Acest lucru se realizează prin adăugarea de sare pentru mașina de spălat vase la dedurizatorul de apă din interiorul aparatului. Cantitatea necesară de sare este stabilită în funcție de cât de dură este apa de la robinet.

2 Scuturați excesul de lichid din bandă și așteptați 1 minut.

3 Verificați culoarea duriității apei de pe bandă. Consultați ambalajul.

Verificarea nivelului duriității apei

Metoda 1

1 Verificați duritatea apei din zona dumneavoastră. Compania de furnizare a apei vă poate ajuta cu acest lucru.

2 Setati nivelul sistemului de dedurizare al aparatului în funcție de nivelul de duritate a apei.

Metoda 2

Puteți verifica duritatea apei folosind banda de testare inclusă în produs.

1 Scufundați toate zonele de reacție ale benzii de testare timp de aproximativ o secundă. Nu testați în timpul curgerii apei.

Tabel de duritate a apei

Duritatea apei							Nivel de dedurizare	Raport* 1
ppm	°d	°e	°f	mmol/l (Ca+Mg)	mg/l. (Ca)	Interval		
0	<4	<5	<7	<0,7	<29	Moale	H0	-
75	4 - 7	5 - 9	7 - 13	0,7 - 1,3	29 - 50		H1	01:24
125	7 - 14	9 - 17,5	13 - 25	1,3 - 2,5	50 - 100		H2	1:7
250	14 - 21	17,5 - 26	25 - 38	2,5 - 3,8	100 - 150		H3	1:4
375	>21	>26	>38	>3,8	>150	Rigid	H4	2:1

*1 Numărul de regenerări ale dedurizatorului de apă*2: Numărul de cicluri de spălare*3

*2 Regenerarea dedurizatorului de apă are loc la sfârșitul unei operațiuni de spălare principală conform programului **Eco**.

*3 Un ciclu de spălare este compus din 4 operațiuni (prespălare, spălare principală, clătire, clătire cu încălzire) conform programului **Eco**.

Setarea sistemului de dedurizare a apei

Pentru a obține rezultate de spălare optime, reglați setarea în funcție de nivelul de duritate a apei utilizate în alimentarea cu apă. Dispozitivul de dedurizare a apei prezintă 5 niveluri de reglare, iar aparatul este programat din fabrică pentru o duritate a apei de H2. Puteți să verificați valoarea de setare implicită și să o ajustați în următorii pași:

1 Apăsați simultan butonul **Alimentare** și **Half Load (Jumătate de sarcină)**.

- Valoarea de setare curentă indicată.

2 Apăsați butonul **Delay Start (Întârziere pornire)**, apoi setați valoarea dorită.

- Intervalul valorii de setare este H0 până la H4.

3 Apăsați butonul **Start (Pornire)** pentru a salva setarea.

- Alimentarea cu curent se oprește după salvare.

NOTĂ

- Pictograma **Reumplere sare** se aprinde pe afișaj dacă sarea pentru mașina de spălat vase nu este în sistemul de dedurizare.
- Dacă duritatea este setată la H0, acest lucru nu este indicat de nicio pictogramă, în ciuda lipsei sării.

Umplerea cu sare pentru mașina spălat vase

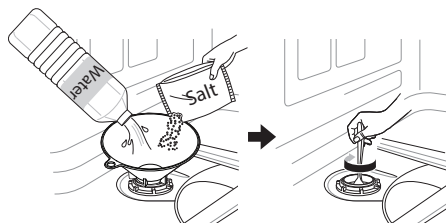
Dozatorul de sare trebuie umplut înainte de a începe programul de spălare. Dacă nu există suficientă sare, pictograma **Reumplere sare** apare pe afișaj, cu excepția cazului în care nivelul de duritate a fost setat la H0.

⚠ ATENȚIE

- După ce ați umplut cu sare pentru mașina de spălat vase, trebuie să rulați imediat ciclul Rinse (clătire) pentru a îndepărta sarea și apa cu sare din jurul cuvei interioare pentru a preveni coroziunea.

1 Scoateți raftul inferior și scoateți capacul dozatorului de sare situat în partea stângă a filtrelor.

2 Înainte de a folosi aparatul pentru prima dată este necesar să se toarne în același timp 1 kg de sare pentru mașina de spălat vase și 1 litru de apă, dacă intenționați să utilizați sistemul de dedurizare a apei. La reumplerea sării utilizați o pâlnie. Consultați secțiunea **Înainte de utilizare**.



3 Montați la loc capacul strâns.

4 Porniți ciclul **Rinse (Clătire)** fără vase.

Ciclu de umplere a sării (1 kg pentru fiecare încărcare)

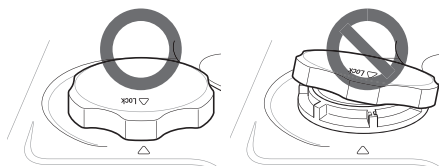
	H1	H2	H3	H4
Cicluri	130	50	20	10

- Tabelul descrie informații despre programul **Auto**.
- Ciclu poate varia în funcție de cantitatea de sare completată.

⚠ ATENȚIE

- Nu puneți detergent în dozatorul de sare. Această acțiune va cauza o defecțiune.

- Ștergeți orice urmă de sare vărsată din jurul capacului dozatorului de sare. Soluția de sare care pătrunde poate cauza coroziune la nivelul cuvei și al mecanismului de încărcare a mașinii de spălat vase.
- Sigilați bine capacul prin aliniere pe orizontală și rotire în sensul acelor de ceasornic. Un capac nefixat bine poate provoca scurgerea soluției de sare din dozatorul de sare înapoi în cuvă și cauza coroziune.
- După reumplerea sării pentru mașina de spălat vase, programul de spălare ar trebui pornit fără vase, deoarece sarea vărsată în interiorul aparatului poate provoca rugină sau deteriorarea aparatului dacă este lăsată nespălată.



NOTĂ

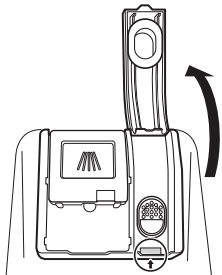
- Sarea poate fi cumpărată de la distribuitorii de sare.

Adăugarea agentului de clătire

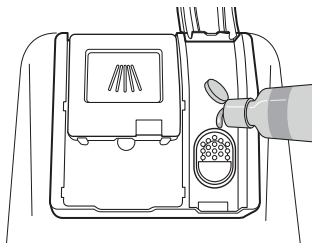
Indicatorul **Agent de clătire** apare pe afișaj atunci când este nevoie de mai mult agent de clătire.

Se recomandă utilizarea agentului de clătire pentru a preveni urmele de apă de pe vase și pentru a îmbunătăți rezultatele de uscare.

- 1 Deschideți capacul pentru agentul de clătire prin ridicarea clapei.



- 2 Adăugați un agent de clătire lichid până la nivelul maxim de umplere. Agentul de clătire trebuie alimentat lent în dozator în timpul umplerii, altfel bulele de aer pot duce la o uscare deficitară.



- 3 Închideți capacul pentru a bloca dozatorul. Agentul de clătire este distribuit automat în timpul ciclului final de clătire.

⚠ ATENȚIE

- Ștergeți orice urmă de agent de clătire vărsat pentru a preveni formarea spumei.

NOTĂ

- Utilizați numai agent de clătire lichid pentru vase în aparat.
- Nu supraîncărcați dozatorul pentru agentul de clătire.
- Prea mult sau prea puțin agent de clătire poate limita rezultatele de uscare.
- Dacă agentul de clătire se scurge din dozator, ștergeți-l imediat. În caz contrar se poate

produce multă spumă care va păta mașina de spălat vase.

Setarea nivelului agentului de clătire


Dozatorul are cinci niveluri de ajustare. Programul implicit este setat la nivelul 2 de dozare a agentului de clătire. Acest nivel poate fi verificat și modificat prin utilizarea butoanelor de pe panoul de comandă.

- 1 Asigurați-vă că aparatul este oprit.
- 2 Apăsăți simultan **Alimentare** și **Dual Zone (Zonă dublă)** pentru a verifica setarea curentă.
- 3 Apăsăți **Delay Start (Întârziere pornire)** pentru a schimba setarea dozatorului de agent de clătire. Fiecare apăsare a butonului modifică setarea cu un pas de la L0 (oprit) la L4.
- 4 După ce ați selectat setarea dorită a dozatorului de agent de clătire, apăsați **Start (Pornire)** pentru a salva.
 - Alimentarea cu curent se oprește după salvare.

⚠ ATENȚIE

- În situația în care capacul pentru agentul de clătire nu este închis corect, o cantitate mare de agent de clătire se va elibera în cuvă și va cauza probleme la spălare.

NOTĂ

- Pictograma **Reumplere agent de clătire**  se va aprinde când este nevoie de mai mult agent de clătire.
- Dacă după spălare observați pete tulburi, dungii sau urme de apă pe sticlărie, măriți nivelul setării.
- Setarea controlului la un nivel prea ridicat poate provoca formarea spumei, ceea ce va conduce la rezultate de spălare slabe.



NOTĂ

- Dacă sticla este murdară sau spuma este prezentă în partea inferioară, reduceți nivelul setat.
- Setarea controlului agentului de clătire la un nivel prea redus poate provoca formarea unor pete sau dungii pe vase și o uscare deficitară.

Prezentarea generală a operării**Utilizarea aparatului****1 Apăsați butonul Alimentare.**

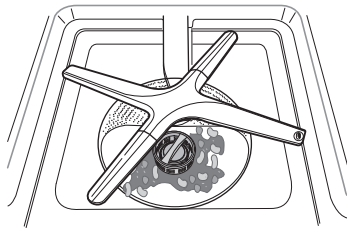
- Aparatul va porni. Verificați indicatoarele.

2 Verificați dacă agentul de clătire și sarea pentru mașina de spălat vase sunt prezente.

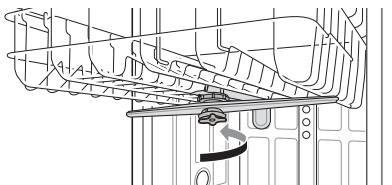
- Reumpleți cu agent de clătire și sare, dacă se aprind pictogramele corespunzătoare. Pentru mai multe informații, consultați secțiunea **Reumplere**.
-  : Pictogramă reumplere sare
-  : Pictogramă pentru reumplere agent de clătire

3 Deschideți ușa și verificați filtrele.

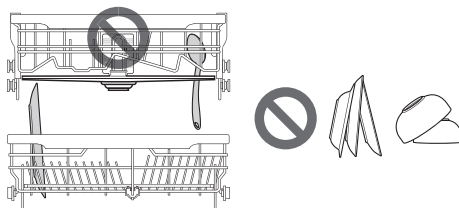
- Curățați întotdeauna filtrul, fie după o spălare, fie înainte de o spălare, astfel încât să nu afecteze rezultatele de spălare.

**4 Asigurați-vă că brațele de pulverizare se pot roti fără obstrucționare.**

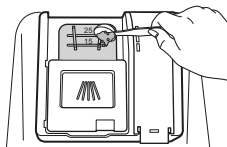
- Asigurați-vă că brațele superioare și inferioare de pulverizare se rotesc în mod corespunzător. Scoateți brațul de pulverizare și curățați-l dacă nu se rotește.

**5 Încărcați vasele în raft.**

- Asigurați-vă că nu există vase sau ustensile în calea brațelor de pulverizare.
- Nu așezați un vas peste altul.

**6 Adăugați cantitatea adecvată de detergent pulbere la dozator.**

- Dacă se utilizează tablete, acestea pot fi pur și simplu plasate direct pe baza cadrului sau pe partea inferioară a ușii interioare.

**7 Setati și porniți programul.**

- Programul va porni automat în 4 secunde după ce ați selectat oricare setare.

⚠ AVERTISMENT

- Nu încărcați obiecte în raftul superior atunci când cel inferior este scos și încărcat. Nerespectarea acestui lucru poate duce la vătămări corporale, deoarece aparatul s-ar putea dezechilibra și ar putea să se răstoarne.
- Împingeți raftul superior până la capăt.

- Goliți mai întâi raftul inferior, apoi cel superior. Astfel se va evita scurgerea apei din raftul superior pe vasele de mai jos.
- Nu deschideți ușa în timpul funcționării sau chiar după ce ați terminat ciclul de spălare, deoarece aburul poate provoca arsuri la deschiderea ușii.

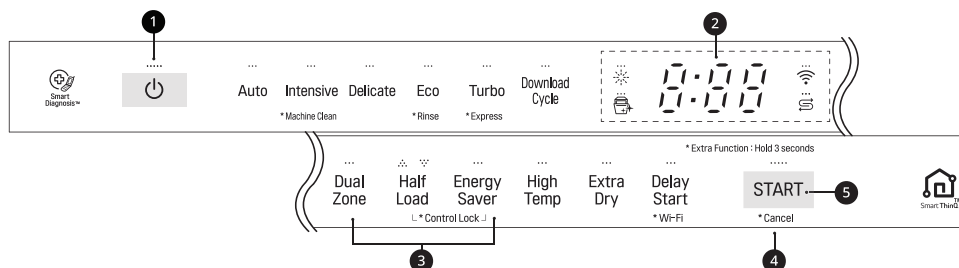
NOTĂ

- Nu utilizați niciodată detergent lichid pentru vase în aparat.
 - Nu se recomandă clătirea manuală a vaselor înainte de utilizarea mașinii de spălat vase deoarece această acțiune va mări consumul de apă și de energie.
 - Spălarea tacâmurilor într-o mașină de spălat vase de uz casnic consumă de regulă mai puțină energie și apă în faza de utilizare decât acțiunea de spălare manuală când mașina de spălat vase de uz casnic este utilizată în conformitate cu instrucțiunile producătorului.
-

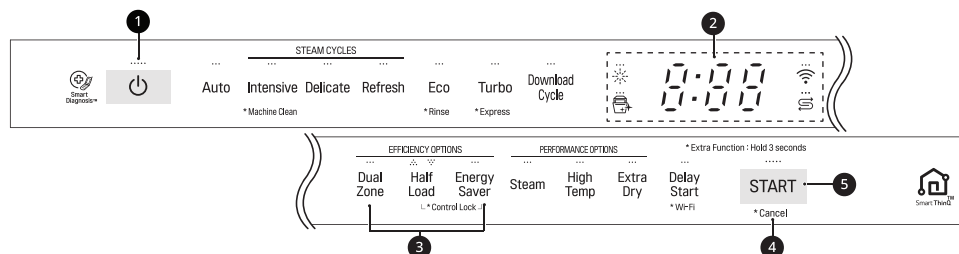
Panou de control

Caracteristicile panoului de control

Pentru modele fără aburi



Pentru modele cu aburi






1 Alimentare

- Apăsați butonul **Alimentare** pentru a porni sau opri aparatul.
- După finalizarea ciclului, alimentarea se oprește automat în scopul asigurării siguranței și economiei.
- Dacă există o creștere a tensiunii, o întrerupere a curentului sau o întrerupere de orice fel, alimentarea se oprește automat pentru siguranță.
- Atunci când alimentarea este conectată din nou, aparatul se va porni în mod automat și va relua ciclul.

2 Afișaj

- **8:88 : Afișaj digital**
 - Afișajul digital de pe panoul de comandă prezintă durata ESTIMATĂ a ciclului. Când se selectează ciclul și opțiunile, pe ecran se afișează timpul total estimat pentru finalizarea acestor selecții. În timpul funcționării, pe ecran se afișează timpul de funcționare estimat rămas.
 - Timpul estimat afișat pe afișaj nu include timpii de întârziere pentru încălzirea apei etc.
 - Dacă este selectat **Delay Start (Întârziere pornire)**, afișajul indică timpul de întârziere în ore.
 - Durata ciclului **Auto** poate varia în funcție de nivelul de murdărire a încărcăturii.
- **☀ : Pictogramă pentru agent de clătire**
 - Această pictogramă clipește când nivelul de agent de clătire este scăzut. Ledul se oprește automat atunci când agentul de clătire este reumplut sau nivelul este setat la 0.

-  : **Pictogramă curățare mașină**
 - Această pictogramă clipește după fiecare 30 de cicluri.
 - Pentru a activa sau a dezactiva pictograma, apăsați pe butonul **Delicate (Delicat)** timp de 3 secunde.
-  : **Wi-Fi**
 - Când aparatul este conectat acasă la Internet printr-o rețea Wi-Fi, această pictogramă se aprinde.
-  : **Pictogramă reumplere sare**
 - Această pictogramă clipește când nivelul sării este scăzut. Ledul se oprește automat când sarea este reumplută.

3 Pornirea/oprirea avertizării sonore

- Pentru a activa sau a dezactiva sunetele butoanelor, apăsați și mențineți apăsat simultan butoanele **Dual Zone (Zonă dublă)** și **Energy Saver (Economisirea energiei)** timp de 3 secunde. Sunetul de avertizare în caz de eroare nu poate fi dezactivat.

4 Cancel (Revocare)

- Pompa de scurgere se activează, iar ciclul se anulează. Odată ce aparatul a finalizat scurgerea, alimentarea se va opri.
- Apăsați și mențineți apăsat butonul **Start (Pornire)** timp de 3 secunde pentru a activa funcția de anulare.

5 Start (Pornire)

- Pentru a deservei aparatul, închideți ușa și apăsați butonul **Start (Pornire)**.
- Dacă butonul **Start (Pornire)** nu este apăsat pentru a porni ciclul în 4 minute, alimentarea cu curent electric se va opri automat.

Cicluri de spălare

Auto

Acest ciclu detectează cantitatea de murdărie și claritatea apei și optimizează spălarea pentru a obține cea mai bună curățare. Timpul de spălare poate varia în funcție de nivelul de murdărire.

Intensive (Intens)

Acest ciclu este destinat vaselor puternic murdărite și cu murdărie întărită. Acest ciclu implică cea mai puternică intensitate a pulverizării și se folosește pentru a spăla vase foarte murdare.

Delicate (Delicat)

Utilizați acest ciclu pentru a curăța obiecte delicate, cum ar fi porțelanuri fine și pahare cu picior.

Refresh (Reîmprospătare)

Acest ciclu împrospătează și încălzește vasele care nu au mai fost folosite de mult timp.

- Nu folosiți detergent atunci când utilizați acest ciclu.

Eco

Acest program asigură cel mai eficient consum de energie și de apă pentru rezultate bune de spălare și de uscare în cazul unei încărcături cu un grad normal de murdărire, deoarece utilizează foarte puțină energie.

Turbo

Acest ciclu va curăța vasele cu un grad moderat de murdărire, utilizând puțin mai multă energie și apă.

- **Extra Dry (Extra uscat)** este setat în mod implicit în poziția pornit. Dacă nu doriți să uscați vasele după spălare, opriți opțiunea **Extra Dry (Extra uscat)**. Dacă vasele nu sunt uscate, acest lucru va conduce la o durată mai redusă a ciclului.

Download Cycle (Descărcare ciclu)

Utilizați un ciclu dedicat care poate fi descărcat prin Wi-Fi sau NFC (în funcție de model).

NOTĂ

- Numai codul ciclului pentru ciclul curent descărcat apare pe aparat. Consultați aplicația de pe telefonul inteligent pentru codurile de cicluri, nume și mai multe informații despre ciclurile disponibile.
- Ciclu implicit: P1. Oale și tigăi

Machine Clean (Curățare mașină)

Acest ciclu este pentru curățarea interiorului aparatului. Utilizați ciclul fără vase în aparat. Astfel se elimină murdăria reziduală, mirosul, petele albe, urmele de calcar și alte murdării. Adăugați acid citric sau alt agent de curățare pentru rezultate mai eficiente.

- Apăsați și mențineți apăsat butonul **Intensive (Intens)** timp de 3 secunde pentru activare.

Rinse (Clătire)

Acest ciclu reprezintă o clătire rapidă numai pentru vase care nu vor fi spălate imediat. Ciclul clătește vasele care au exces de murdărie pentru a înmuia resturile uscate. Clătirea vaselor ajută la prevenirea mirosurilor din aparat.

- Apăsați și mențineți apăsat butonul **Eco** timp de 3 secunde pentru activare.

NOTĂ

- Nu utilizați detergent cu această opțiune.
- Acest ciclu nu prezintă uscare.

Express (Expres)

Acest ciclu va curăța repede vasele ușor murdărite.

- Apăsați și mențineți apăsat butonul **Turbo** timp de 3 secunde pentru activare.

NOTĂ

- Acest ciclu nu prezintă uscare. Selectați opțiunea **Extra Dry (Extra uscat)** sau un alt ciclu pentru o uscare mai bună. **Extra Dry (Extra uscat)** se va adăuga la timpul total al ciclului.
- Tabletele de detergent nu sunt recomandate pentru utilizarea în ciclul **Express (Expres)**. Dacă se utilizează tablete de detergent, acestea pot provoca reziduuri de detergent pe vase datorită temperaturilor scăzute de clătire.

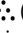
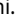
Opțiuni și funcții suplimentare

Selectați butonul ciclului dorit și apoi selectați opțiunile pentru acel ciclu. Pentru mai multe informații consultați secțiunea **Ghid pentru cicluri/opțiuni**.

Dual Zone (Zonă dublă)

Această opțiune determină automat intensitatea de pulverizare la nivelul delicat pentru brațul superior de pulverizare și la nivelul puternic pentru brațul inferior de pulverizare. Puneți vase foarte murdare, cum ar fi farfuriile și bolurile, în raftul inferior, iar vasele ușor murdare, cum ar fi ceștile și farfuriile mici, în raftul superior pentru a obține cele mai bune rezultate.

Half Load (Jumătate de sarcină)

Această opțiune spală intensiv prin selectarea rafturilor superioare sau inferioare. Pentru încărcăturile mici utilizați doar raftul superior sau inferior pentru a economisi energie și timp. Prin apăsarea butonului **Half Load (Jumătate de sarcină)** sunt disponibile setările  (superior),  (inferior) și anularea acestei opțiuni.

Energy Saver (Economisirea energiei)

Această opțiune economisește energie prin reducerea temperaturilor de spălare și de clătire. Timpul de spălare este mărit pentru a menține rezultatele de spălare. Nu utilizați acest ciclu cu vase foarte murdare.

Steam (Abur)

Această opțiune adaugă abur în timpul ciclului pentru a îmbunătăți rezultatele de spălare.

High Temp (Temperatură înaltă)

Ridică temperatura principală de spălare sau de clătire pentru îmbunătățirea curățării.

- Un sunet va fi generat pentru a vă avertiza despre orice temperatură reziduală din interiorul aparatului. Așteptați ca aparatul să se răcească complet înainte de a deschide ușa.

Extra Dry (Extra uscat)

Selectați această opțiune pentru rezultate mai bune de uscare. Această opțiune adaugă un timp suplimentar de uscare la ciclu și mărește temperatura de clătire cu încălzire.

- Când recipientul pentru agent de clătire este gol, această opțiune este selectată automat.

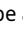
Delay Start (Întârziere pornire)

Această funcție decalază începerea unui ciclu selectat. De fiecare dată când este apăsat butonul **Delay Start (Întârziere pornire)**, timpul de întârziere se incrementează cu o oră. Timpul de decalare poate fi setat de la 1 la 12 ore, în incremente de o oră.

- Pentru a anula această funcție, opriți alimentarea cu curent electric.
- Pentru a schimba ciclul și opțiunea ciclului, deschideți ușa și apoi selectați un alt ciclu și o altă opțiune a ciclului. Numărătoarea inversă va continua.

Control Lock (Blocare control)

Această caracteristică ajută la prevenirea modificării setărilor în timpul unui ciclu. Selectarea acestei funcții blochează toate butoanele, cu excepția butonului **Alimentare** de pe panoul de comandă. Această funcție nu blochează ușa.

- La modelele cu afișaj extern, în timp ce un ciclu funcționează, țineți apăsat simultan butonul **Half Load (Jumătate de sarcină)** și **Energy Saver (Economisirea energiei)** timp de 3 secunde pentru a activa sau dezactiva această caracteristică. La modelele cu afișaj ascuns, deschideți ușa în timpul funcționării și urmați aceeași instrucțiune.
- Atunci când această funcție este activată, codul de afișare  va apărea pe afișaj.
- Pentru a începe un nou ciclu, dezactivați această funcție.
- Această caracteristică poate fi setată în orice moment prin pornirea aparatului.

Wi-Fi

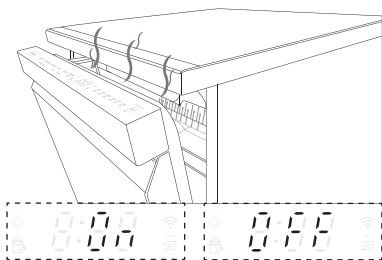
Apăsați și mențineți apăsat butonul **Delay Start (Întârziere pornire)** timp de 3 secunde pentru a vă conecta la rețea. Consultați secțiunile **FUNCȚII INTELIGENTE** pentru informații detaliate despre această caracteristică.

Deschidere automată la uscare

Această caracteristică variază în funcție de modelul achiziționat.

Ușa se va deschide automat la sfârșitul unui program care include uscare pentru a îmbunătăți rezultatele de uscare.

- Pentru a activa sau dezactiva această funcție, țineți apăsat simultan butonul **Energy Saver (Economisirea energiei)** și **High Temp (Temperatură înaltă)** timp de 3 secunde.
- Această caracteristică nu este disponibilă atunci când este selectat ciclul **Machine Clean (Curățare mașină)** și **Rinse (Clătire)**.
- Când selectați **Download Cycle (Descărcare ciclu)**, această caracteristică poate funcționa chiar dacă este dezactivată. Deoarece **Download Cycle (Descărcare ciclu)** este proiectată pentru a obține cele mai bune rezultate într-un scop specific, indiferent de setările aparatului.
- Afişajul arată dacă această caracteristică este activată sau dezactivată.



- În funcție de model, lampa poate fi amplasată pe partea frontală a aparatului sau pe partea superioară a ușii.

Roșu (stânga)

Lampa roșie clipește când apare o eroare la aparat. Pentru mai multe informații despre eroare, consultați secțiunea **Cod de eroare** din secțiunea **DEPANARE**.

Alb (mijloc)

Lampa albă clipește când selectați un ciclu cu opțiuni sau când un ciclu a fost întrerupt.

- Lampa albă se aprinde când funcționează un ciclu.

Verde (dreapta)

Lampa verde se aprinde când un ciclu este finalizat. Când ușa este deschisă, lampa se stinge.

- Dacă aparatul nu detectează faptul că ușa a fost deschisă, lampa se va stinge după 90 de secunde.

⚠ AVERTISMENT

- Nu lăsați copiii în apropierea aparatului în timp ce aparatul funcționează. Expunerea la aburi cu temperaturi ridicate poate provoca opărire sau arsuri.

Signalight™

Această caracteristică variază în funcție de modelul achiziționat.

Signalight™ prezintă starea aparatului, dacă a întâmpinat anumite probleme, dacă funcționează în mod normal sau dacă este gata să spele vasele.

Tabel referitor la programe

Ghid de programe

La modelele DF425***

Program	Nivel de murdărie	Spălare		Rinse (Clătire)		Dry (Uscare)
		Pre Wash (Prespălarea)	Spălare principală	Rinse (Clătire)	Clătire cu încălzire	
Auto	Toate nivelele	●	● (65 - 70 °C)	●	● (62 °C) ^{*1} (70 °C) ^{*2}	●
Intensive (Intens)	Greu	●	● (75 °C)	●	● (62 °C) ^{*1} (70 °C) ^{*2}	●
Delicate (Delicat)	Ușor	●	● (55 °C)	●	● (62 °C) ^{*1} (70 °C) ^{*2}	●
Refresh (Reîmprospătare)[*] 1		●		●	● (62 °C) ^{*1} (75 °C) ^{*2}	●
Eco	Moderat	●	● (46 °C) ^{*1} (42 °C) ^{*2}	●	● (54 °C) ^{*1} (64 °C) ^{*2}	●
Turbo	Moderat	●	● (65 °C)	●	● (62 °C) ^{*1} (65 °C) ^{*2}	
Express (Expres)	Ușor	●	● (45 °C)	●	● (62 °C) ^{*1} (60 °C) ^{*2}	
Rinse (Clătire)	Ușor			●		
Machine Clean (Curățarea mașinii)		●	● (50 °C)	●	● (70 °C)	●

*1 Funcția **Deschidere automată la uscare** este activată.

*2 Funcția **Deschidere automată la uscare** este dezactivată.

NOTĂ

- Timpul de funcționare poate varia în funcție de temperatura apei, temperatura ambiantă, presiunea apei și tensiunea electrică.
 - Informare: valorile specificate pentru programele diferite de programul Eco au doar rol orientativ.
 - Când este activată funcția **Deschidere automată la uscare**, temperatura de clătire cu încălzire poate varia.
-

La modelele DF325*** / DF325**

Program	Nivel de murdărie	Spălare		Rinse (Clătire)		Dry (Uscare)
		Pre Wash (Prespălarea)	Spălare principală	Rinse (Clătire)	Clătire cu încălzire	
Auto	Toate nivelele	●	● (65 - 70 °C)	●	● (70 °C)	●
Intensive (Intens)	Greu	●	● (75 °C)	●	● (70 °C)	●
Delicate (Delicat)	Ușor	●	● (55 °C)	●	● (70 °C)	●
Refresh (Reîmprospătare)* 1		●		●	● (75 °C)	●
Eco	Moderat	●	● (42 °C)	●	● (64 °C)	●
Turbo	Moderat	●	● (65 °C)	●	● (65 °C)	
Express (Expres)	Ușor	●	● (45 °C)	●	● (60 °C)	
Rinse (Clătire)	Ușor			●		
Machine Clean (Curățarea mașinii)		●	● (50 °C)	●	● (70 °C)	●

*1 Pentru modele cu aburi

NOTĂ

- Timpul de funcționare poate varia în funcție de temperatura apei, temperatura ambiantă, presiunea apei și tensiunea electrică.
- Informare: valorile specificate pentru programele diferite de programul Eco au doar rol orientativ.

Regulament pentru Europa (la modelele DF425***)

Program	Consumul de apă*1	Consum de energie (kWh)*1	Durață (min)*1
Auto	12,9	0,91 - 0,97	162
Intensive (Intens)	23,1	1,60	185
Delicate (Delicat)	16,5	1,07	124
Eco	9,5	0,85	193
Refresh (Reîmprospătare)	10,0	0,76	120
Turbo	18,5	0,84	78
Express (Expres)	9,6	0,58	56
Rinse (Clătire)	6,6	0,01	18
Machine Clean (Curățare mașină)	12	0,78	83

*1 Funcția **Deschidere automată la uscare** este activată.

NOTĂ

- Datele furnizate vor varia în funcție de condițiile individuale.
-

Regulament pentru Europa (la modelele DF325*** / DF325**)

Program	Consumul de apă	Consum de energie (kWh)	Durată (min)
Auto	13,1	1,08 - 1,17	195
Intensive (Intens)	23,9	1,76	185
Delicate (Delicat)	16,8	1,14	124
Eco	9,5	0,95	228
Refresh (Reîmprospătare)*1	9,8	0,78	66
Turbo	18,8	0,87	59
Express (Expres)	12,4	0,61	38
Rinse (Clătire)	6,5	0,01	18
Machine Clean (Curățare mașină)	12,1	0,75	83

*1 Pentru modele cu aburi

NOTĂ

- Datele furnizate vor varia în funcție de condițiile individuale.

NOTĂ

- Regulamentul (UE) 2019/2022, valabil de la 1 martie 2021, este legat de clasele de eficiență energetică definite în Regulamentul (UE) 2019/2017.
- Scațați codul QR de pe eticheta energetică aplicată pe aparat, care conține un link către informații legate de performanța aparatului în baza de date EPREL la nivelul UE. Păstrați eticheta energetică pentru a putea fi consultată ulterior împreună cu manualul utilizatorului și toate celelalte documente care au fost furnizate cu aparatul.
- Denumirea modelului este menționată pe eticheta de identificare a aparatului. Deschide ușa și privește partea dreaptă a ușii.
- Pentru a găsi aceste informații în EPREL, accesați <https://eprel.ec.europa.eu> și efectuați căutarea folosind denumirea modelului. (Valabil de la 1 martie 2021)

Opțiuni disponibile

NOTĂ

- Opțiunea **Energy Saver (Economisirea energiei)** nu este disponibilă cu opțiunea **High Temp (Temperatură înaltă)** sau **Extra Dry (Extra uscat)**.
- Opțiunea **Delay Start (Întârziere pornire)** poate fi selectată pentru fiecare program de spălare din acest tabel.

Pentru modele fără aburi

Program	Dual Zone (Zonă dublă)	Half Load (Jumătate de sarcină)	Energy Saver (Economisire a energiei)	High Temp (Temperatură înaltă)	Extra Dry (Extra uscat)
Auto	●	●	●	●	●
Intensive (Întens)	●	●		●	●
Delicate (Delicat)		●	●		●
Eco	●	●	●	●	●
Turbo	●			●	●
Express (Expres)	●			●	●
Rinse (Clătire)					
Machine Clean (Curățare mașină)					
Download Cycle (Descărcare ciclu)					

Pentru modele cu aburi

Program	Dual Zone (Zonă dublă)	Half Load (Jumătate de sarcină)	Energy Saver (Economisirea energiei)	Steam (Abur)	High Temp (Temperatură înaltă)	Extra Dry (Extra uscat)
Auto	●	●	●	●	●	●
Intensive (Intens)	●	●		●	●	●
Delicate (Delicat)		●	●	●		●
Refresh (Reîmprospătare)				●		●
Eco	●	●	●	●	●	●
Turbo	●			●	●	●
Express (Expres)	●				●	●
Rinse (Clătire)						
Machine Clean (Curățarea mașinii)						
Download Cycle (Descărcarea ciclului)						

Informații pentru testare

Pentru modelele cu funcția de deschidere automată la uscare

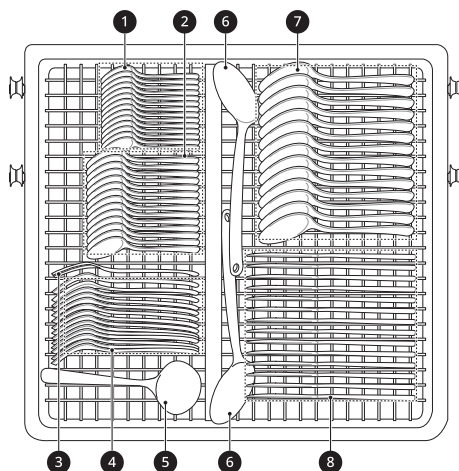
- Capacitate: 14 seturi de vase
- Program de comparabilitate: **Eco**
- Setare agent de clătire: L4
- Dozaj recomandat: 22g de detergent în interiorul dozatorului.
- Poziția raftului în formă de U reglabil pe înălțime: medie
- Setare **Deschidere automată la uscare**: activată
- Tip filtru: Manual

Pentru modelele fără funcția de deschidere automată la uscare

- Capacitate: 14 seturi de vase
- Program de comparabilitate: **Eco**
- Setare agent de clătire: L4
- Dozaj recomandat: 22g de detergent în interiorul dozatorului.
- Poziția raftului în formă de U reglabil pe înălțime: medie
- Tip filtru: Manual

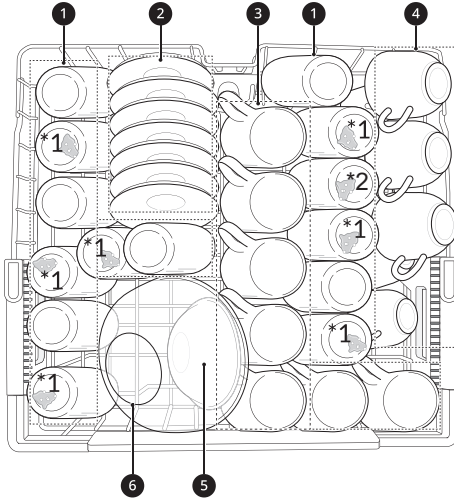
Încărcarea vaselor

Coș pentru tacâmuri



- 1 Lingurițe de ceai (fără urme de murdărie)
- 2 Lingurițe de desert (fără urme de murdărie)
- 3 Furculiță pentru servit (fără urme de murdărie)
- 4 Furculițe (ouă)
- 5 Polonic pentru sos (fără urme de murdărie)
- 6 Linguri pentru servit (fără urme de murdărie)
- 7 Linguri pentru supă (fulgi de ovăz)
 - Fiecare a doua lingură pentru supă este murdară.
- 8 Cuțițe (fără urme de murdărie)

Raft superior



1 Pahare (lapte)

*1 Sunt 7 pahare murdare cu urme de lapte.

*2 Pahar pentru lapte conform EN60704-2-3: 2020

2 Farfurioare (ceai negru)

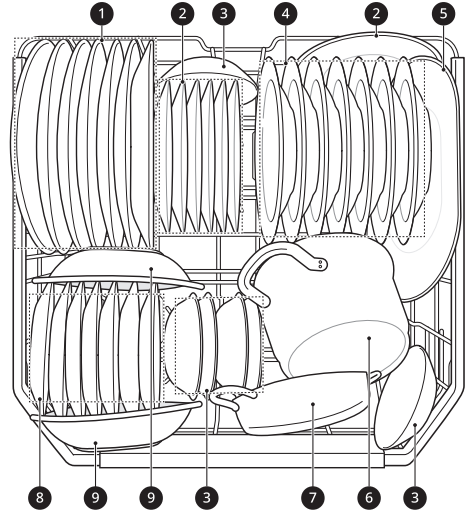
3 Căni (ceai negru)

4 Cești (ceai negru)

5 Bol pentru desert (fulgi de ovăz)

6 Bol de sticlă (carne)

Raft inferior



1 Farfurii mari (ouă)

2 Farfurii din melamină pentru desert (ouă)

3 Boluri pentru desert (fulgi de ovăz)

4 Farfurii pentru supă (fulgi de ovăz)

5 Platou oval (carne)

6 Oală mică (spanac + margarină)

7 Oală pentru cuptor (carne)

8 Farfurii pentru desert (spanac)

9 Boluri din melamină (margarină)

Încărcarea mașinii de spălat vase

Pentru a obține rezultate de spălare optime, urmați întotdeauna instrucțiunile.

- Înainte de încărcare îndepărtați particulele mari de resturi alimentare de pe farfurii, inclusiv oase și așa mai departe. Întotdeauna clățiți farfuriile când încărcați, dacă acestea nu trebuie spălate imediat.
- Articolele cu alimente arse trebuie să fie înmuiate înainte de încărcarea în mașina de spălat vase.

- Elementele cu bază adâncă trebuie amplasate invers.
- Articolele din plastic nu se usucă bine în comparație cu alte elemente.
- Asigurați-vă că toate elementele nu se ating reciproc.



Articole care nu se spală în mașina de spălat vase

Combinăția dintre temperatura ridicată a apei și detergenții pentru mașina de spălat vase poate deteriora anumite articole. Nu spălați următoarele articole.

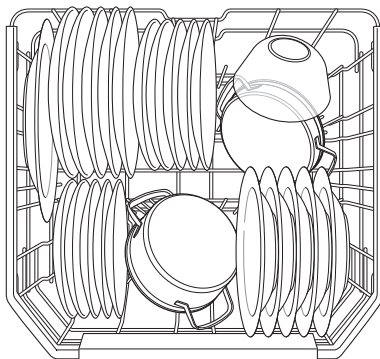
- Cupru sau aluminiu anodizat
- Argintărie pictată manual sau ceramică aurită
- Ustensile cu mânere din lemn sau os
- Ustensile din fier sau metale oxidabile
- Articole din plastic care nu sunt sigure pentru aparat
- Articole scumpe, cum ar fi argintul și vase cu inele de aur
- Elemente fragile, cum ar fi pahare de cristal

⚠ ATENȚIE

- Nu așezați oalele sau tigăile cu mâner de plastic în aparat, deoarece mânerul se poate deteriora datorită căldurii și detergenților.
- În timpul spălării nu se pot îndepărta de pe pahare petele de ruj rezistent la apă sau de lungă durată.

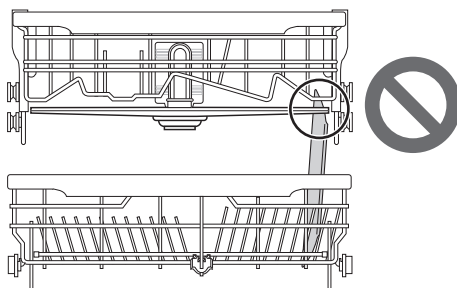
Farfuriile trebuie poziționate în poziție verticală și orientate spre centrul rafturilor, iar oalele, tigăile și vasele mari trebuie să fie întoarse cu fața în jos.

Pentru a ușura încărcarea vaselor mai mari, rândul din față cu dinți poate fi pliat.



⚠ ATENȚIE

- Brațele de pulverizare nu trebuie să fie blocate de elemente care sunt prea înalte sau care trec prin coșuri. Testați mișcarea liberă prin rotirea manuală a brațelor de pulverizare.



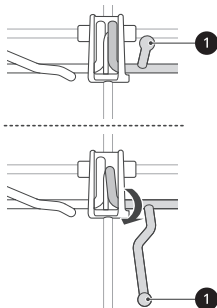
Încărcarea raftului inferior

Încărcare pentru utilizarea zilnică

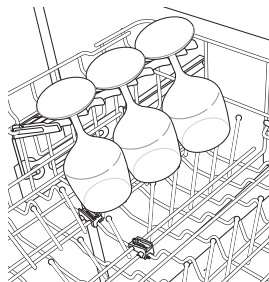
Raftul inferior este potrivit pentru farfuriile mari, boluri de supă, vase, oale, tigăi, capace și chiar și o tavă de grătar.

Plierea în jos a dinților rafturilor

Pliați dinții rafturilor în jos pentru a încăpea vase mai mari; ridicați dinții rafturilor pentru a se potrivi cu vasele mai mici.



Rafturile pentru cești oferă suport pentru sticlărie rezistentă la aburi.



Rândul din stânga al dinților poate fi pliat în jos sau rafturile pentru cești pot fi pliate pentru a crea spațiu pentru obiectele de ceramică înalte.

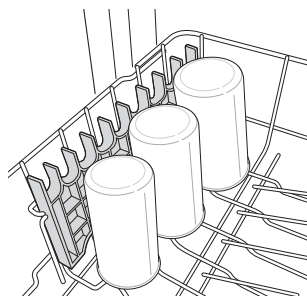
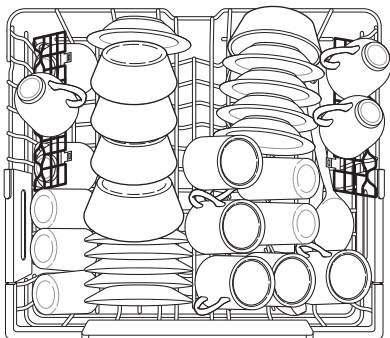
Încărcarea raftului superior

Încărcare pentru utilizarea zilnică

Raftul superior este potrivit pentru articole delicate, cum ar fi platouri mici, tacâmuri lungi, cești, pahare și obiecte din plastic care nu deteriorează aparatul.

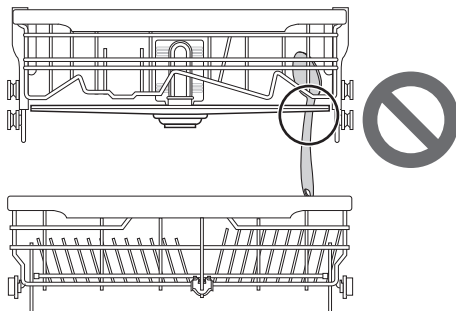
Ceștile, paharele și bolurile trebuie poziționate cu capul în jos.

Farfuriile trebuie așezate cu fața în sus.



⚠️ ATENȚIE

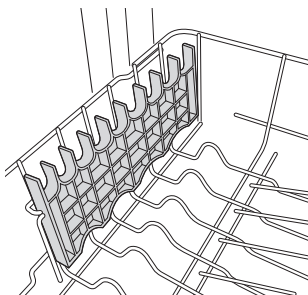
- Brațele de pulverizare nu trebuie să fie blocate de elemente care sunt prea înalte sau care trec prin coșuri. Testați mișcarea liberă prin rotirea manuală a brațelor de pulverizare.



Scoaterea și înlocuirea rafturilor pentru cești

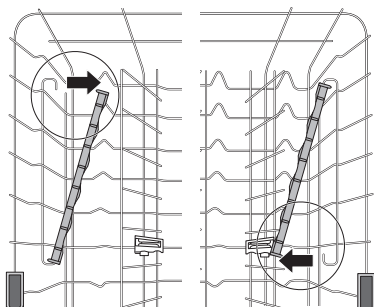
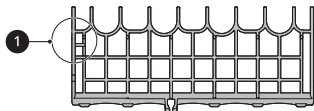
Rafturile pentru cești din stânga și dreapta sunt interschimbabile și pot fi scoase.

- 1 Deplasați raftul în poziție închisă.

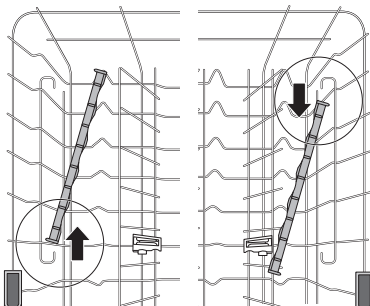


- 2 Localizați fanta de asamblare ❶ de pe suportul pentru cești și scoateți ferm raftul din bara de susținere de pe acea parte.

- Raftul din stânga se desprinde în spate. Raftul din dreapta se eliberează în față.



- 3 Scoateți raftul pentru cești din bara de susținere de pe partea opusă.

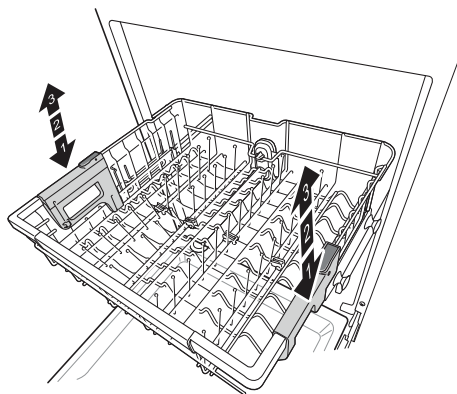


- 4 Inversați instrucțiunile pentru a reamplasa suportul pentru cești.

Raft superior cu înălțime reglabilă

Înălțimea raftului superior poate fi reglată atunci când încărcați articole din sticlă cu picioare lungi sau obiecte înalte din ceramică.

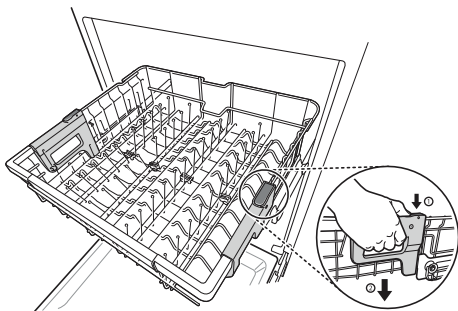
Există trei poziții disponibile pentru reglarea înălțimii raftului superior pentru a crea mai mult spațiu.



Coborârea raftului

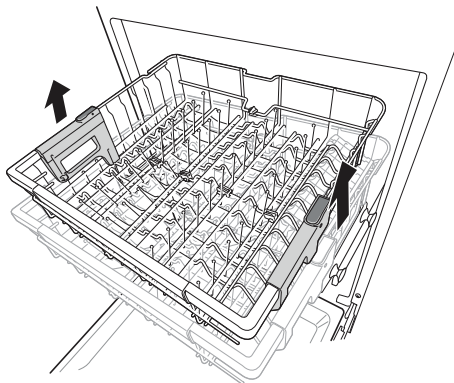
Țineți raftul de centrul fiecărei laturi pentru a sprijini greutatea acestuia. Apoi apăsați butonul de

pe fiecare parte pentru a elibera raftul și pentru a-l coborî în poziția inferioară.



Ridicarea raftului

Ridicați raftul de centrul fiecărei laturi până când raftul se fixează în poziția superioară. Nu este necesar să ridicați manetele de blocare pentru a ridica raftul.



Posibilă dimensiune a farfuriei în funcție de poziția superioară a rafturilor

Poziția raftului superior	Dimensiunea farfuriei (mm)		
	Raft superior		Raft inferior
	cu raft pentru tacâmuri	fără raft pentru tacâmuri	
Superior	165	215	300
Median	193	243	272

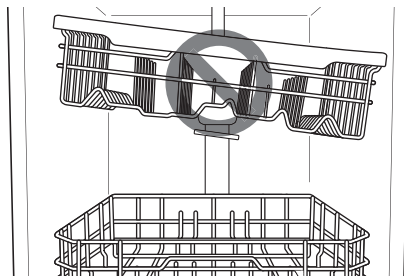
Poziția raftului superior	Dimensiunea farfuriei (mm)		
	Raft superior		Raft inferior
	cu raft pentru tacâmuri	fără raft pentru tacâmuri	
Coborâre	221	271	244

⚠️ AVERTISMENT

- Înainte de ajustare asigurați-vă că raftul este golit de toate vasele. În caz contrar, vasele pot fi deteriorate sau vă puteți răni.

NOTĂ

- Ridicați raftul superior fără a împinge butoanele de pe fiecare parte. Apăsarea butoanelor la ridicarea raftului va împiedica blocarea raftului în poziție.
- Pentru a seta raftul în poziția de mijloc, ar putea fi mai ușor să coborâți raftul până jos și să ridicați fiecare parte a raftului în mod individual, până când acesta se fixează în poziție.



- Există o mărire de 56 mm a înălțimii când raftul superior este deplasat în poziția inferioară.
- După reglarea nivelurilor rafturilor verificați dacă brațele de pulverizare sunt libere să se rotească.
- În poziția inferioară a raftului superior verificați dacă partea inferioară a raftului superior, inclusiv brațul de pulverizare, nu deranjează obiectele de pe raftul inferior.
- Când raftul superior se află în poziția inferioară, împingeți mai întâi raftul superior, iar raftul inferior mai târziu.

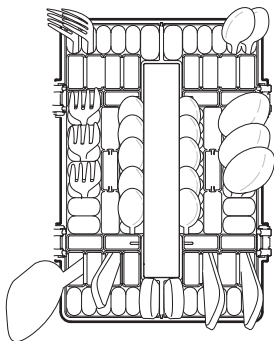
NOTĂ

- Scoateți mai întâi raftul inferior, iar pe cel superior mai târziu.
- Când raftul superior se află în poziția inferioară, înălțimea posibilă a vasei diferă de modelele în care este montat suportul pentru tacâmuri.

Încărcarea coșului de tacâmuri**Încărcare pentru utilizarea zilnică**

Pentru ustensile mari, cum ar fi telurile, capacul poate fi deschis prin scoaterea din balamale.

Așezați furculițele și lingurile în coșul pentru tacâmuri cu mânerele în jos.

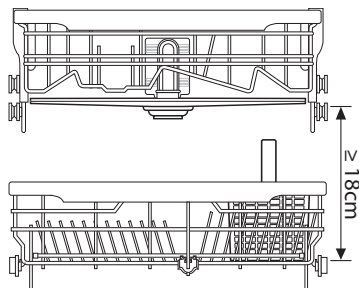
**⚠️ AVERTISMENT**

- Pentru a preveni vătămările, puneți cuțitele și alte unelte cu puncte ascuțite pe coșul pentru tacâmuri.
- Dacă doriți să le încărcați în coșul pentru tacâmuri, puneți-le cu marginile ascuțite orientate în jos.

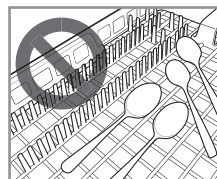
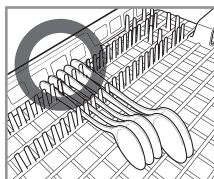
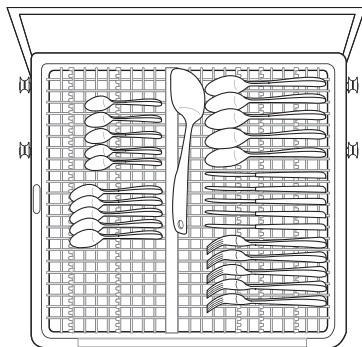
⚠️ ATENȚIE

- Nu obstrucționați rotirea brațelor de pulverizare.

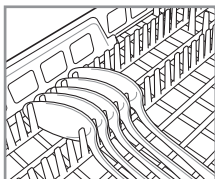
- Tacâmurile nu trebuie să depășească 18 cm.

**Încărcarea raftului pentru tacâmuri**

Rafturile pentru tacâmuri sunt cele mai adecvate pentru tacâmuri și majoritatea ustensilelor de gătit sau de servit. Pot încăpea, de asemenea, mici boluri de preparare și capace. Separatoarele de pe raftul pentru tacâmuri vă ajută să păstrați ustensilele separate pentru a evita deteriorarea și pentru a îmbunătăți curățarea.

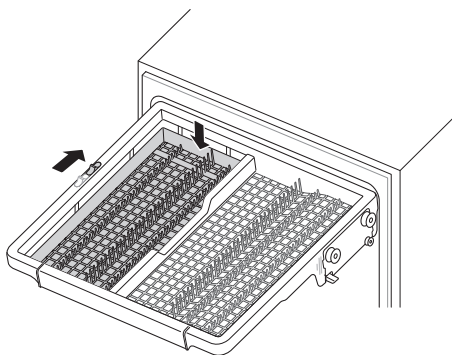


Dacă mânerele tacâmurilor dumneavoastră sunt prea groase, inversați piesele, astfel încât mânerele să fie orientate spre cealaltă direcție.



Tavă cu înălțime reglabilă

Tava din partea stângă poate fi reglată într-o poziție înaltă sau joasă pentru a face loc ustensilelor sau tacâmurilor de diferite dimensiuni. Îndepărtați vasele înainte de a regla tava. Reglați tava prin glisarea manetei.



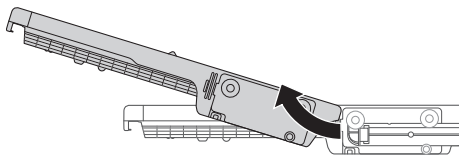
Scoaterea raftului pentru tacâmuri

Întregul raft pentru tacâmuri poate fi scos dacă este necesar un spațiu mai mare pe raftul superior pentru articole mai mari.

Scoateti întotdeauna tacâmurile din raft înainte de a scoate raftul.

Trageți raftul până la capătul șinelor. Apoi ridicați partea frontală a raftului, astfel încât rolele să

elibereze opritorul de la capătul șinei. Raftul poate fi acum glisat înainte și scos de pe șine.



⚠️ AVERTISMENT

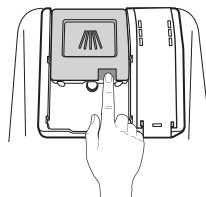
- Aveți grijă atunci când încărcați și descărcați obiecte cu muchii ascuțite. Încărcați cuțitele ascuțite cu lama în jos pentru a reduce riscul de vătămare corporală.

Adăugarea agenților de curățare

Adăugarea detergentului în dozator

- Scoateti eticheta de pe dozator înainte de a utiliza aparatul pentru prima dată.
- Cantitatea de detergent necesară depinde de ciclu, mărimea încărcăturii și nivelul de murdărire a vaselor.
- Puneți detergent în compartimentul de detergent înainte de a începe orice ciclu, cu excepția ciclului **Rinse (Clătire)**.

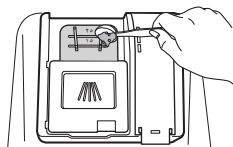
- 1 Apăsăți butonul de pe capacul dozatorului pentru a deschide capacul.



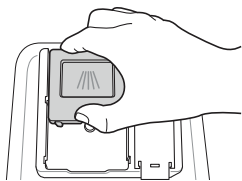
- 2 Adăugați detergent de spălat vase în compartimentul principal de spălare până când nivelul se află între liniile marcate cu 15 și 25.

- Umpleți la peste 25 de linii pentru apă dură sau încărcături foarte murdare.

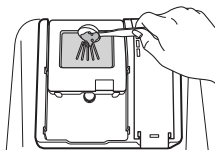
- Umpleți la linia 15 pentru apă dedurizată sau încărcături ușor murdare.



- 3** Împingeți capacul de detergent pentru a închide capacul prin glisare până când se declanșează un declic.



- 4** Dacă se dorește o prespălare, umpleți cu detergent zona compartimentului de prespălare de pe capac.



Program	Cantitate de detergent
	Spălare principală (dozator)
Auto	20 g
Intensive (Intens)	20 g
Delicate (Delicat)	20 g
Refresh (Reîmprospătare)	-
Eco	22 g
Turbo	20 g
Download Cycle (Descărcare ciclul)	20 g

Program	Cantitate de detergent
	Spălare principală (dozator)
Machine Clean (Curățare mașină)	20 g
Rinse (Clătire)	-
Express (Expres)	20 g

⚠️ AVERTISMENT

- Detergentul pentru veselă și agentul pentru clătire conțin componente chimice, precum orice alt detergent de uz casnic. În concluzie, acestea nu trebuie să fie ținute la îndemâna copiilor.

⚠️ ATENȚIE

- Folosiți numai detergent destinat mașinilor de spălat vase. Detergentul incorect poate determina umplerea cu spumă în timpul funcționării. Excesul de spumă poate afecta rezultatele de spălare și poate cauza scurgeri din aparat.
- Pentru a evita deteriorarea aparatului, nu trageți pe dozator pentru a închide ușa aparatului.



- Utilizarea unui detergent și a unui agent de clătire necorespunzător poate duce la riscul de deteriorare, coroziune, rezultate slabe de spălare, uscare deficitară sau scurgeri.
- Utilizați numai detergentul și agentul de clătire care au fost omologate în mod standard. Utilizarea unui detergent sau a unui agent de clătire neomologat poate prezenta un risc de deteriorare, coroziune, rezultate slabe de spălare, uscare deficitară și scurgeri.
- Dacă se utilizează prea mult detergent poate apărea prea multă spumă. Aceasta poate duce la

scurgeri de spumă și pătarea vaselor în mașina de spălat vase.

NOTĂ


- Prea mult detergent poate lăsa o peliculă pe vase și în cuvă, ceea ce duce la rezultate slabe de spălare.
- După spălare verificați dacă detergentul a fost complet dizolvat.
- Unele tablete de detergent pentru aparat pot fi blocate în dozator datorită dimensiunii excesive. Tabletele pot fi plasate pe baza tubului de spălare lângă filtru înainte de începerea ciclului.
- Nu utilizați niciodată detergent lichid pentru vase în aparat.
- Tabletele de detergent nu sunt recomandate pentru utilizarea în ciclul **Express (Expres)**. Dacă se utilizează tablete de detergent, acestea pot provoca reziduuri de detergent pe vase datorită temperaturilor scăzute de clătire.

Reumplere

Pentru a menține rezultate de uscare optime, verificați și reumpleți în mod regulat agentul de clătire.

Pentru a menține rezultate de spălare optime, verificați și reumpleți în mod regulat sarea pentru mașina de spălat vase.

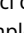
Verificarea agentului de clătire

Atunci când se aprinde pictograma pentru reumplere agent de clătire , înseamnă că recipientul pentru agent de clătire este aproape gol. Dacă este necesar, reumpleți recipientul pentru agent de clătire.

Verificarea sării pentru mașina de spălat vase

După reumplerea sării pentru mașina de spălat vase, programul de spălare ar trebui pornit fără vase, deoarece sarea vărsată în interiorul

aparaturii poate provoca rugină sau deteriorarea aparatului dacă este lăsată nespălată.

Atunci când se aprinde pictograma pentru reumplere sare , înseamnă că recipientul pentru sare este aproape gol. Dacă este necesar, reumpleți recipientul pentru sare.

ATENȚIE

- Nu adăugați detergent sau altă soluție în carcasa dedurizatorului de apă, altul decât sarea de spălat vase. Dacă veți proceda astfel, sistemul de dedurizare a apei se va defecta.

Sfaturi utile

Uscare

- Articolele din plastic pot cauza rezultate slabe de uscare în comparație cu alte articole.
- Pentru a ajuta la uscare, ușa poate fi deschisă pentru o perioadă scurtă de timp după încheierea ciclului.

NOTĂ

- Asigurați-vă că toate elementele nu se ating reciproc.
- Dacă rezultatele de uscare nu sunt bune sau dacă rămân pete, adăugați opțiunea **Extra Dry (Extra uscat)** sau setați nivelul de clătire.
- Când se utilizează detergent tip tabletă (2 în 1, 3 în 1), poate fi necesară o clătire suplimentară, în funcție de volumul de vase, în acest caz utilizați **Extra Dry (Extra uscat)** sau setați nivelul de clătire.

Descărcarea aparatului de spălat vase

- Înainte de descărcarea mașinii de spălat vase, verificați dacă vasele sunt răcite încât să poată fi atinse cu mâna.
- Goliți mai întâi raftul inferior, apoi cel superior. Astfel se va evita scurgerea apei din raftul superior pe vasele de mai jos.

AVERTISMENT

- Nu scoateți toate rafturile încărcate complet în același timp, aparatul se poate răsturna.
Descărcați fiecare raft unul câte unul.
-

FUNȚII INTELIGENTE

Aplicația LG ThinQ

Aplicația **LG ThinQ** vă permite să comunicați cu aparatul utilizând un smartphone.

Caracteristicile aplicației LG ThinQ

Comunicați cu aparatul de pe un smartphone prin intermediul funcțiilor inteligente comode.

Monitorizare

Această funcție verifică starea curentă, ciclul, timpul de funcționare al opțiunilor și timpul de încheiere a ciclului pentru aplicație pe un singur ecran.

Download Cycle (Descărcare ciclu)

Puteți descărca cicluri noi și speciale care nu sunt incluse în ciclurile de bază de pe aparat.

Pe aparatele care au fost înregistrate cu succes pot fi descărcate o mare varietate de cicluri speciale, specifice aparatului.

Pe aparat poate fi stocat un singur ciclu în același timp.

Atunci când descărcarea ciclului pe aparat este finalizată, aparatul păstrează ciclul descărcat până când este descărcat un nou ciclu.

Alertă pentru curățarea mașinii

Această funcție afișează numărul de cicluri rămase înainte a fi necesară efectuarea ciclului **Machine Clean (Curățare mașină)**.

Smart Diagnosis

Această funcție prezintă informații utile pentru diagnosticare și rezolvarea problemelor pe care le prezintă aparatul, pe baza tiparului de utilizare.

Setări

Aceasta vă permite să setați diferite opțiuni ale aparatului și ale aplicației.

Alertă Push

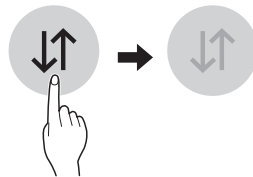
Când ciclul este complet sau atunci când aparatul are probleme, aveți opțiunea de a primi notificări de tip Push pe un telefon inteligent. Notificările sunt declanșate chiar și atunci când aplicația **LG ThinQ** este oprită.

NOTĂ

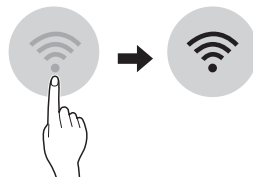
- Dacă vă schimbați routerul wireless, furnizorul de servicii de Internet sau parola, ștergeți aparatul înregistrat din aplicația **LG ThinQ** și înregistrați-l din nou.
- Aplicația poate fi modificată cu scopul îmbunătățirii aparatului fără notificarea utilizatorilor.
- Funcțiile pot varia în funcție de model.

Înainte de utilizarea aplicației LG ThinQ


- 1 Verificați distanța dintre aparat și routerul wireless (rețeaua Wi-Fi).
 - În cazul în care distanța dintre aparat și routerul wireless este prea mare, puterea semnalului scade. Înregistrarea poate dura mai mult timp sau instalarea poate eșua.
- 2 Dezactivați **Datele mobile** sau **Datele celulare** de pe telefonul dumneavoastră inteligent.



- 3 Conectați-vă smartphone-ul la routerul wireless.



NOTĂ

- Pentru a verifica conexiunea Wi-Fi, verificați dacă pictograma  de pe panoul de control este aprinsă.
- Aparatul suportă doar rețele Wi-Fi de 2,4 GHz. Pentru a verifica frecvența rețelei dumneavoastră, contactați-vă furnizorul de servicii de internet sau consultați manualul routerului dumneavoastră wireless.
- **LG ThinQ** nu este responsabilă pentru problemele de conexiune ale SmartThinQ, defecțiuni sau erori cauzate de conexiunea la rețea.
- În cazul în care aparatul are probleme cu conectarea la rețeaua Wi-Fi, acestea poate fi situat prea departe de router. Achiziționați un repetor Wi-Fi (amplificator de semnal) pentru a îmbunătăți puterea semnalului Wi-Fi.
- Conexiunea Wi-Fi poate să nu se realizeze sau să se întrerupă din cauza mediului rețelei din locuință.
- Conexiunea la rețea poate să nu funcționeze în mod corespunzător în funcție de furnizorul de servicii de internet.
- Mediul wireless înconjurător poate face ca serviciul de rețea wireless să funcționeze mai lent.
- Aparatul nu poate fi înregistrat din cauza problemelor cu transmisia semnalului wireless. Deconectați aparatul și așteptați un minut înainte de a încerca din nou.
- În cazul în care firewall-ul sau routerul dvs. wireless este activat, dezactivați firewall-ul sau adăugați o excepție în cadrul acestuia.
- Numele rețelei wireless (SSID) trebuie să fie o combinație de litere și cifre. (Nu folosiți caractere speciale)
- Interfața utilizatorului (UI) a Smartphone-ului poate varia în funcție de sistemul de operare mobil (OS) și de producător.
- Dacă protocolul de securitate al routerului este setat pe **WEP**, este posibil să nu puteți configura rețeaua. Vă rugăm să schimbați protocolul de securitate (se recomandă **WPA2**) și să înregistrați produsul din nou.

Instalarea aplicației LG ThinQ

Căutați aplicația **LG ThinQ** de la magazinul Google Play Store sau Apple App Store pe un telefon inteligent. Urmați instrucțiunile pentru a descărca și a instala aplicația.

Dezactivarea conexiunii la rețea

Pe smartphone-ul dvs. efectuați deconectarea de la rețeaua Wi-Fi de acasă.

- 1 Rulați aplicația **LG ThinQ**.
- 2 Selectați și apăsați pe **Mașină de spălat vase** în aplicație.
- 3 Selectați și apăsați pe **Ștergere produs** în meniul de setări pentru a efectua deconectarea.

Specificațiile modului LAN wireless

Model	LCW-003
Interval de frecvență	2412 la 2472 MHz
Puterea de ieșire (Max)	IEEE 802.11b: 18.37 dBm IEEE 802.11g: 17.67 dBm IEEE 802.11n: 17.67 dBm

Funcția wireless S/W versiunea : V 1.0

Utilizatorul va ține cont de faptul că acest aparat trebuie instalat și operat cu o distanță minimă de 20 cm între el și corp.

Declaratie de conformitate



Prin prezenta, LG Electronics declară că echipamentul de tip mașină de spălat vase este în conformitate cu Directiva 2014/53/UE. Textul integral al declarației de conformitate UE este disponibil la următoarea adresă de Internet: <http://www.lg.com/global/support/cedoc/cedoc#> LG Electronics European Shared Service Centre B.V. Krijgsman 1, 1186 DM Amstelveen, Olanda



Informații de notificare privind software-ul open source

Pentru a obține codul sursă din GPL, LGPL, MPL și alte licențe open source, care sunt conținute în acest produs, vă rugăm să vizitați <http://opensource.lge.com>.

În plus față de codul sursă, toate condițiile licenței, denegările de responsabilitate privind garanția și notele despre drepturile de autor la care se face referire sunt disponibile pentru descărcare.

LG Electronics va oferi și codul sursă pe CD-ROM în schimbul unei sume care să acopere costurile unei asemenea distribuții (cum ar fi costurile suporturilor media, de transport și de procesare), în urma unei solicitări prin e-mail la opensource@lge.com. Această ofertă este valabilă pentru o perioadă de trei ani de la data ultimului transport al acestui produs. Această ofertă este valabilă pentru orice persoană care primește aceste informații.

Smart Diagnosis

Această caracteristică este disponibilă numai pentru modelul cu emblema  sau .

Utilizați această caracteristică pentru a vă ajuta să diagnosticați și să rezolvați problemele cu aparatul dumneavoastră.

NOTĂ

- Din motive care nu pot fi atribuite neglijenței LGE, este posibil ca serviciul să nu funcționeze din cauza unor factori externi, cum ar fi, dar fără a se limita la, indisponibilitatea rețelei Wi-Fi, deconectarea rețelei Wi-Fi, reglementările magazinului local de aplicații sau indisponibilitatea aplicației.

- Caracteristica poate fi modificată fără notificare prealabilă și poate avea o formă diferită în funcție de locația dumneavoastră.

Utilizarea LG ThinQ pentru diagnosticarea problemelor



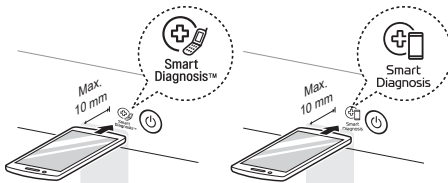
Dacă aveți o problemă cu aparatul echipat cu Wi-Fi, acesta poate transmite datele de depanare către un telefon inteligent folosind aplicația **LG ThinQ**.

- Lansați aplicația **LG ThinQ** și selectați caracteristica **Smart Diagnosis** din meniu. Uurmați instrucțiunile oferite în aplicația **LG ThinQ**.

Utilizarea diagnosticării audibile pentru diagnosticarea problemelor

Uurmați instrucțiunile de mai jos pentru a utiliza metoda de diagnosticare audibilă.

- Lansați aplicația **LG ThinQ** și selectați caracteristica **Smart Diagnosis** din meniu. Uurmați instrucțiunile pentru diagnosticarea audibilă oferite în aplicația **LG ThinQ**.

- Apăsăți butonul **Alimentare** pentru a porni aparatul.
 - Nu apăsați niciun alt buton.
- Așezați microfonul telefonului dumneavoastră inteligent aproape de pictograma  sau .
 
- Apăsăți și mențineți apăsat butonul **Download Cycle (Descărcare ciclu)** timp de 3 secunde sau mai mult, în timp ce țineți microfonul telefonului inteligent aproape de pictogramă, până când transferul de date este finalizat.
 - Țineți telefonul inteligent în poziție până când transferul de date s-a încheiat. Este

afișat timpul rămas pentru transferul de date.

- 4** După ce transferul de date este finalizat, rezultatul diagnosticării va fi afișat în aplicație.

NOTĂ

- Pentru cele mai bune rezultate, nu deplasați telefonul inteligent în timp ce sunt transmise tonurile.
-

Asistență clienți și service

Contactați un centru LG Electronics de informare a clienților.

- Pentru a găsi un centru de service LG Electronics autorizat, accesați site-ul nostru web la adresa **www.lg.com** și urmați instrucțiunile de acolo.
- Repararea pe cont propriu nu este recomandată, deoarece ar putea deteriora și mai mult aparatul și ar anula garanția.
- Piese de schimb indicate în Regulamentul 2019/2022 sunt disponibile pe o perioadă minimă de 7 ani.

ÎNTREȚINEREA

Pentru a menține randamentul și pentru a preveni problemele, verificați în mod regulat exteriorul și interiorul aparatului, inclusiv filtrele și brațele de pulverizare.

⚠️ AVERTISMENT

- Atunci când curățați exteriorul și interiorul aparatului, nu utilizați soluții pe bază de solvenți, cum ar fi diluanți sau acetone. Acest lucru poate cauza incendiu sau explozie.

NOTĂ

- Împiedicați animalele să roadă cablul de alimentare sau furtunul de apă.

Curățare și întreținere

Curățarea exteriorului

În majoritatea cazurilor, exteriorul aparatului poate fi curățat cu o cârpă moale sau cu un burete moale, apoi uscat cu o cârpă moale. Dacă aparatul prezintă un exterior din oțel inoxidabil, utilizați un detergent pentru oțel inoxidabil.

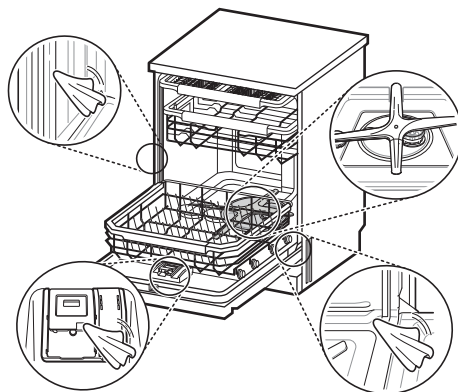
⚠️ ATENȚIE

- Dacă uleiul de gătit este vărsat pe exteriorul produsului, ștergeți-l imediat. Nu curățați exteriorul produsului cu detergenți care conțin alcool, diluanți, înălbitori, benzen, lichide inflamabile sau materiale abrazive. Aceste substanțe pot determina decolorarea sau deteriorarea aparatului.

Curățarea interiorului

Se recomandă curățarea interiorului, a brațelor de pulverizare și a filtrelor o dată la două săptămâni. Curățați periodic interiorul aparatului cu o cârpă moale, umedă sau cu un burete pentru a îndepărta particulele de alimente și murdărie.

Resturile alimentare pot fi blocate în spațiile înguste din interiorul aparatului după încheierea spălării. Ștergeți resturile de alimente.



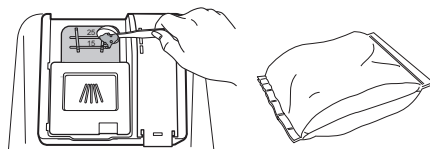
NOTĂ

- Dacă nu ați folosit aparatul mult timp, reîmprospătați interiorul rulând programul **Turbo** sau **Machine Clean (Curățare mașină)** cu detergent. După terminarea ciclului, curățați interiorul și exteriorul aparatului conform instrucțiunilor de **ÎNTREȚINERE**.

Curățarea cuvei

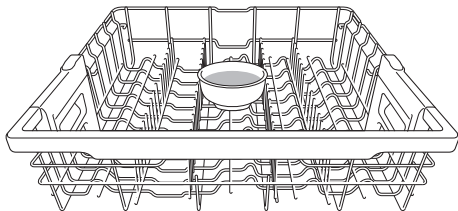
Utilizarea acidului citric

Scoateți toate vasele, coșul pentru tacâmuri și suportul coșului pentru tacâmuri din aparat. Doar rafturile ar trebui să rămână în cuvă. Pentru cele mai bune rezultate, utilizați pulbere de acid citric (poate fi găsită în secțiunile de conserve din majoritatea supermarketurilor sau online). Măsurați 3 linguri de pudră de acid citric (45 g). Umpleți compartimentul principal de spălare cu pulberea măsurată.



Utilizarea oțetului alb

Dacă nu găsiți pudră de acid citric, turnați aproximativ 3/4 - 1 1/4 cești (200 - 300 ml) de oțet alb într-un vas puțin adânc și puneți-l în raftul superior. Rulați ciclul **Auto**. Nu utilizați detergent. Când ciclul este terminat, reporniți.

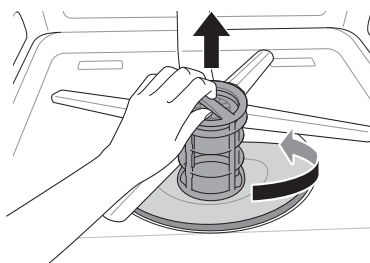


⚠ ATENȚIE

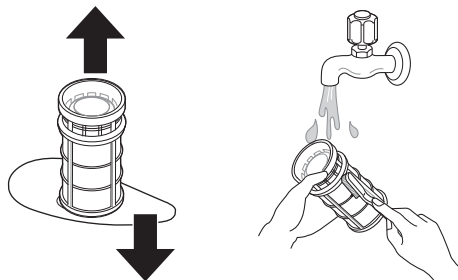
- Nu turnați oțet direct în bază.
- Folosirea excesivă a oțetului poate cauza deteriorarea aparatului.

Curățarea filtrelor

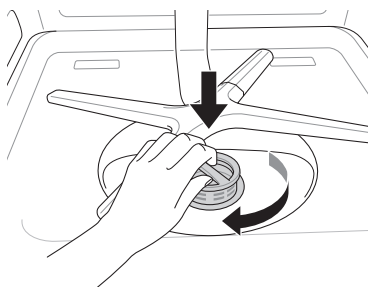
- 1 Scoateți suportul inferior și poziționați brațul de pulverizare inferior, astfel încât un trapez mai larg să fie deschis spre față.
- 2 Rotiți filtrul interior în sens invers acelor de ceasornic și scoateți filtrul interior asamblat și filtrul din oțel inoxidabil.



- 3 Curățați filtrele cu o perie moale sub jet de apă. Reasamblați filtrele înainte de a le reinstala.



- 4 Pentru a înlocui filtrele asamblate, poziționați brațul de pulverizare, astfel încât elementul trapezoidal mai lat să fie orientat spre partea din față. Montați filtrele înapoi în suportul filtrului și fixați-le prin rotirea filtrului interior în sensul acelor de ceasornic până când se fixează în poziție.



⚠ AVERTISMENT

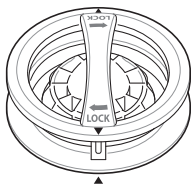
- Aveți grijă la marginile ascuțite atunci când manipulați filtrul din oțel inoxidabil.

⚠ ATENȚIE

- După utilizarea aparatului, particulele de alimente sunt filtrate de către filtre. Orice resturi de produse alimentare care nu au fost îndepărtate pot cauza miros neplăcut. În plus, scurgerea poate avea o problemă datorită reziduurilor alimentare rămase în filtre.

NOTĂ

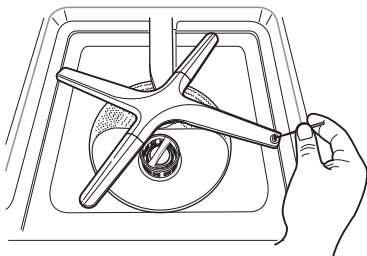
- Când asamblați, rotiți-l ferm până când se aude un clic.

**Curățarea brațelor de pulverizare**

Dacă orificiile pentru brațele de pulverizare sunt blocate de resturi alimentare, vasele nu pot fi curățate bine din cauza pulverizării necorespunzătoare a apei.

Curățarea brațelor inferioare de pulverizare

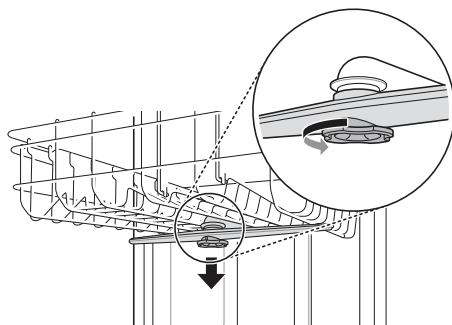
- 1 Asigurați-vă că orificiile pentru jetul de apă nu sunt blocate de particulele alimentare.
- 2 Dacă resturile alimentare blochează orificiile brațului de pulverizare, scoateți-le cu un știft sau cu orice alt instrument ascuțit.

**⚠ ATENȚIE**

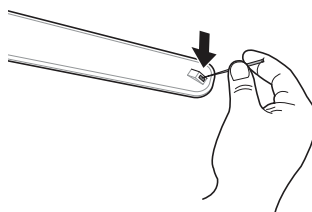
- Pentru a evita ruperea secțiunilor finale ale brațului de pulverizare cu unghi variabil, nu le trageți și nu le rotiți manual.

Curățarea brațelor superioare de pulverizare

- 1 Trageți raftul superior în față. Asigurați-vă că orificiile pentru jetul de apă nu sunt blocate de particulele alimentare.
- 2 Când este necesară curățarea, scoateți brațul superior de pulverizare răsucind piulița de pe partea inferioară a brațului de pulverizare cu 1/8 rotație în sens invers acelor de ceasornic și trăgând în jos.

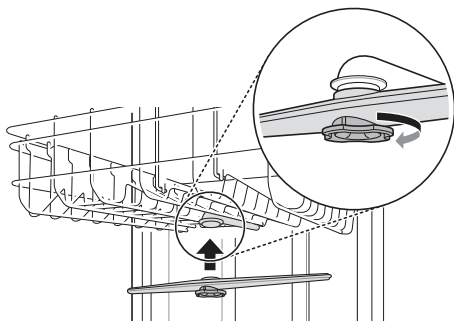


- 3 Îndepărtați particulele de alimente prin clătirea sau scuturarea brațului de pulverizare.
- 4 Dacă resturile alimentare blochează orificiile brațului de pulverizare, scoateți-le cu un știft sau cu orice alt instrument ascuțit.



- 5 După îndepărtarea resturilor alimentare curățați găurile de pulverizare sub jet de apă.
- 6 După curățarea brațului superior de pulverizare, apăsați-l în sus în poziție. Rotiți piulița cu 1/8 în sensul acelor de ceasornic

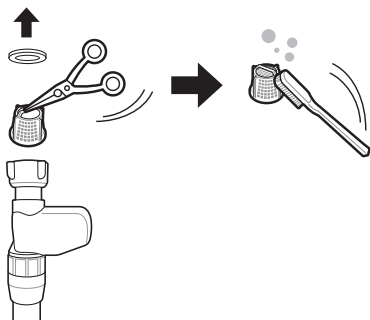
pentru a vă asigura că piulița se blochează la loc.



- 7** După montare verificați dacă brațele de pulverizare se rotesc liber.

Curățarea filtrului furtunului de alimentare cu apă

- 1** Deconectarea aparatului.
- 2** Oprii robinetul de apă.
- 3** Deșurubați furtunul de alimentare cu apă.
- 4** Scoateți garnitura de etanșare și filtrul din plastic cu o pereche de clești mici sau cu mânerle unei foarfeci.



- 5** Remontați filtrul și garnitura și asigurați-vă că sunt așezate corect.

- 6** Remontați și fixați furtunul de alimentare cu apă în ordine inversă. Nu utilizați niciun dispozitiv mecanic pentru a strânge furtunul. O cârpă moale poate fi utilizată pentru a ajuta la strângerea cu mâna.

NOTĂ

- În racordul de intrare al furtunului de alimentare cu apă este montat un filtru.
- Dacă nu curge suficientă apă în aparat, verificați dacă filtrul nu este blocat.
- Dacă există o scurgere, furtunul de alimentare cu apă va trebui verificat dacă prezintă un racord corespunzător.
- Nu strângeți niciodată supapa de alimentare cu apă în mod excesiv și nu folosiți dispozitive mecanice pentru a strânge.
- La reasblarea garniturii și a filtrului asigurați-vă că acestea nu sunt afectate de murdărie sau nisip care ar putea să provină din alimentarea cu apă.

Întreținerea și stocarea sezonieră

- Dacă veți fi absenți pentru o perioadă îndelungată de timp în lunile mai calde, închideți supapa de apă și deconectați cablul de alimentare sau opriți întrerupătorul. Curățați filtrul, cuva și dozatorul pentru a preveni mirosul.
- Dacă veți fi absenți pentru o perioadă lungă de timp în lunile mai reci și există posibilitatea unor temperaturi de îngheț, pregătiți pentru iarnă conductele de alimentare cu apă și aparatul însuși. Pregătirea pentru iarnă trebuie efectuată de personal calificat.

DEPANARE

Înainte de a apela serviciul

Operarea aparatului poate duce la erori și defecțiuni. Următoarele tabele conțin posibile cauze și observații pentru rezolvarea unui mesaj de eroare sau a unei defecțiuni. Puteți remedia majoritatea problemelor singur, economisind astfel timp și bani, deoarece nu trebuie să apelați centrul de servizare LG Electronics. Următorul tabel vă va ajuta să rezolvați problemele.

Codurile de eroare

Aparatul este echipat cu un sistem automat de monitorizare a erorilor pentru a detecta și diagnostica problemele într-o etapă timpurie. Dacă acest aparat nu funcționează corespunzător sau nu funcționează deloc, verificați următoarele înainte de a apela centrul de servizie LG Electronics.

Simptome	Cauze posibile & Soluție
I E	<p>Problemă la alimentarea cu apă.</p> <ul style="list-style-type: none"> • Verificați dacă există un furtun de alimentare cu apă înfundat, îndoit sau înghețat. • Verificați alimentarea cu apă.
DE	<p>Problemă la scurgere.</p> <ul style="list-style-type: none"> • Verificați dacă există un furtun de scurgere înfundat, îndoit sau înghețat.
	<p>Racordul de evacuare este înfundat.</p> <ul style="list-style-type: none"> • Îndepărtați dopul de la racordul de evacuare.
	<p>Filtrele sunt înfundate.</p> <ul style="list-style-type: none"> • Curățați filtrele.
bE	<p>Spuma excesivă cauzată de detergentul necorespunzător, cum ar fi săpun lichid pentru vase.</p> <ul style="list-style-type: none"> • Nu utilizați lichide de spălare manuală a vaselor. Utilizați numai detergenți care sunt proiectați pentru utilizarea în mașinile automate de spălat vase. • Pentru a îndepărta resturile de detergent din cuvă, turnați aproximativ 100~200 ml de lapte într-un bol puțin adânc, puneți-l în raftul superior și apoi porniți aparatul cu ciclul Auto.
	<p>Nivelare necorespunzătoare a aparatului.</p> <ul style="list-style-type: none"> • Asigurați-vă că aparatul este nivelat corect.
HE	<p>Defecțiune în circuitul încălzitorului</p> <ul style="list-style-type: none"> • Contactați departamentul de servizie dacă aceeași problemă apare din nou.
FE	<p>Alimentare excesivă cu apă.</p> <ul style="list-style-type: none"> • Contactați departamentul de servizie dacă aceeași problemă apare din nou.

Simptome	Cauze posibile & Soluție
RE	Problemă la scurgerea apei <ul style="list-style-type: none"> • Contactați departamentul de service dacă aceeași problemă apare din nou.
EE	Defectarea termistorului <ul style="list-style-type: none"> • Contactați departamentul de service dacă aceeași problemă apare din nou.
LE	Defecțiune la motor <ul style="list-style-type: none"> • Contactați departamentul de service dacă aceeași problemă apare din nou.
RE	Defecțiune la motorul Vario <ul style="list-style-type: none"> • Contactați departamentul de service dacă aceeași problemă apare din nou.

Operare

Simptome	Cauze posibile & Soluție
Zgomot	Unele niveluri de zgomot sunt normale în timpul funcționării. <ul style="list-style-type: none"> • Deschiderea capacului de detergent. • Pompa de scurgere la începutul ciclului de scurgere.
	Aparatul nu se află la nivel. <ul style="list-style-type: none"> • Reglați picioarele de nivelare.
	Brațul duzei se lovește de vase. <ul style="list-style-type: none"> • Repoziționați vasele.
	Presiunea apei este prea crescută. <ul style="list-style-type: none"> • Reglați presiunea apei.

Simptome	Cauze posibile & Soluție
Aparatul nu funcționează.	Ușa nu este complet închisă. <ul style="list-style-type: none"> • Nivelăți din nou aparatul.
	Nu este conectată fișa sau cablul de alimentare. <ul style="list-style-type: none"> • Conectați corect fișa sau cablul de alimentare.
	Atunci când funcția Control Lock (Blocare control) este activată, codul de afișare CL va apărea pe afișaj. <ul style="list-style-type: none"> • Dezactivați butonul Control Lock (Blocare control). • Apăsați și mențineți apăsat simultan butonul Half Load (Jumătate de sarcină) și Energy Saver (Economisirea energiei) timp de 3 secunde pentru a activa sau a dezactiva această funcție.
	Siguranța este arsă sau întrerupătorul de circuit este declanșat. <ul style="list-style-type: none"> • Înlocuiți siguranța sau reseați întrerupătorul.
Aparatul emite în continuu un semnal sonor atunci când ușa este deschisă, în timpul sau imediat după încheierea unui ciclu.	Conținutul aparatului este fierbinte și trebuie să fiți atenți când introduceți mâinile în interiorul aparatului. <ul style="list-style-type: none"> • Închideți ușa până când aparatul și vasele s-au răcit. Semnalul sonor se va opri dacă ușa este închisă sau temperatura interioară s-a redus.
Apa rămâne în bazin după terminarea ciclului.	Furtunul de scurgere este îndoit sau înfundat. <ul style="list-style-type: none"> • Reglați furtunul sau îndepărtați blocajul.
	Apa poate rămâne în interior în cazul în care a fost întreruptă alimentarea cu curent electric înainte de sfârșitul normal al procesului sau a fost deconectată manual. <ul style="list-style-type: none"> • Reporniți procesul.
Brațele de pulverizare nu se rotesc ușor.	Orificiile brațelor de pulverizare sunt blocate de particulele alimentare. <ul style="list-style-type: none"> • Curățați găurile brațelor de pulverizare.
Raftul superior este îndoit.	Raftul este ajustat necorespunzător. <ul style="list-style-type: none"> • Consultați secțiunea Raft superior cu înălțime reglabilă.
Lămpile nu se aprind.	Alimentarea cu curent electric nu este conectată. <ul style="list-style-type: none"> • Racordați alimentarea electrică.
Există spumă în exces în aparat.	Nefolosirea detergentului destinat exclusiv aparatului. <ul style="list-style-type: none"> • Utilizați detergentul destinat exclusiv aparatului.
	O cantitate excesivă de agent de clătire poate cauza spumă. <ul style="list-style-type: none"> • Reduceți nivelul de distribuire a agentului de clătire.

Simptome	Cauze posibile & Soluție
Detergentul este lăsat în dozatorul de detergent.	Raft superior neechilibrat. <ul style="list-style-type: none"> • Reglați înălțimea stânga/dreapta a raftului superior.
	Detergentul nu poate fi distribuit deoarece stivuirea necorespunzătoare a veselei împiedică deschiderea automată a dozatorului de detergent. <ul style="list-style-type: none"> • Așezați corect vasele și uscați întotdeauna dozatorul înainte de a adăuga un detergent nou, astfel încât să nu se formeze cocoloașe.
Scurgeri de apă în afara aparatului.	Ușa nu poate fi închisă din cauza înclinării aparatului. În acest caz poate apărea o scurgere de apă. <ul style="list-style-type: none"> • Verificați nivelarea reglând piciorușul.
	Instalarea incorectă a furtunului de scurgere poate duce la scurgerea apei. <ul style="list-style-type: none"> • Verificați piesa de conectare a furtunului de scurgere.
	Dacă alimentarea este oprită, o scurgere a apei poate fi cauzată de un racord necorespunzător la robinet. <ul style="list-style-type: none"> • Verificați racordul furtunului de alimentare cu apă.

Performanță

Simptome	Cauze posibile & Soluție
Pete semiopace pe obiectele din sticlă	Combinăție de detergent excesiv și apă dură <ul style="list-style-type: none"> • Utilizați mai puțin detergent și utilizați un agent de clătire pentru a minimiza problema. • Verificați setarea sistemului de dedurizare.
Urme de culoare neagră sau gri pe vase	Articole din aluminiu care ating vasele în timpul ciclului <ul style="list-style-type: none"> • Repoziționați vasele.
Peliculă galbenă sau maro pe suprafețele interioare ale aparatului	Pete de cafea sau de ceai <ul style="list-style-type: none"> • Eliminați petele folosind un produs de îndepărtare a petelor.
În interiorul mașinii de spălat vase rămâne apă galbenă.	Când utilizați prima dată aparatul se poate genera apă galbenă în rezervorul de dedurizare a apei. <ul style="list-style-type: none"> • Acest lucru este o normal și inofensiv pentru oameni. Dispare după 1 - 3 cicluri.

Simptome	Cauze posibile & Soluție
Pete și pelicule pe vase	Cantitate de detergent greșit utilizată <ul style="list-style-type: none"> • Utilizați cantitatea recomandată de detergent.
	Supraîncărcare <ul style="list-style-type: none"> • Nu supraîncărcați aparatul.
	Încărcare necorespunzătoare <ul style="list-style-type: none"> • Consultați secțiunea OPERARE.
	Presiune insuficientă a apei <ul style="list-style-type: none"> • Presiunea apei ar trebui să fie între 0,05 și 0,6 MPa.
	Detergent insuficient <ul style="list-style-type: none"> • Adăugați cantitatea recomandată de detergent. Consultați secțiunea OPERARE.
	Dozatorul pentru agentul de clătire este gol. <ul style="list-style-type: none"> • Reumpleți dozatorul pentru agentul de clătire.
	Dedurizatorul de apă nu are sare sau insuficientă sare. <ul style="list-style-type: none"> • Verificați dacă există sare în dedurizatorul de apă.
	Nivelul de duritate a apei poate fi setat la un nivel prea redus. <ul style="list-style-type: none"> • Măriți valoarea setată a nivelului durtății.
	Agentul de clătire este insuficient. <ul style="list-style-type: none"> • Reumpleți cu agent de clătire sau creșteți nivelul de dozare.
	Formarea apei calde în cuvă <ul style="list-style-type: none"> • Scoateți din aparat toate vasele, coșul de tacâmuri și suportul de coș de tacâmuri. Numai rafturile ar trebui să rămână în cuvă. Pentru cele mai bune rezultate utilizați pulberea de acid citric (poate fi găsită în secțiunile de conserve din majoritatea magazinelor de produse alimentare sau online). Măsurați 3 linguri de pudră de acid citric (45 g). Umpleți compartimentul principal de spălare cu pulberea măsurată. Dacă nu găsiți pudră de acid citric, turnați aproximativ 3/4 - 1 1/4 cești (200 - 300 ml) de oțet alb într-un vas puțin adânc și puneți-l în raftul superior. Rulați ciclul Auto. Nu utilizați detergent. Când se încheie ciclul, rulați-l din nou.

Simptome	Cauze posibile & Soluție
Miros	<p>Ciclu anterior a fost oprit înainte de finalizare, iar apa reziduală rămâne în aparat.</p> <ul style="list-style-type: none"> • Porniți alimentarea, executați opțiunea ciclului Cancel (Revocare) pentru a elimina apa reziduală, apoi rulați ciclul Turbo folosind detergent, dar cu aparatul gol.
	<p>Există alimente în partea de jos a unității sau în filtru.</p> <ul style="list-style-type: none"> • Curățați filtrul și interiorul conform secțiunii ÎNTREȚINEREA din manualul de utilizare.
	<p>Resturile nespălate de mâncare sunt lăsate în aparat o perioadă lungă de timp.</p> <ul style="list-style-type: none"> • Ciclu cu o ceașcă de oțet alb într-un recipient de sticlă securizată sau castron așezat pe raftul superior. (Oțetul este un acid și, dacă este utilizat în mod constant, acesta ar putea deteriora aparatul.)
Resturi alimentare rămân pe vase.	<p>Selectie necorespunzătoare a ciclului</p> <ul style="list-style-type: none"> • Selectați ciclul corect în funcție de nivelul de murdărie și de tipul de vase spălat.
	<p>Temperatura apei este prea scăzută.</p> <ul style="list-style-type: none"> • Verificați racordul de alimentare cu apă sau setarea încălzitorului de apă.
	<p>Nu a fost utilizat detergent pentru mașina de spălat vase.</p> <ul style="list-style-type: none"> • Utilizați detergentul recomandat.
	<p>Presiune scăzută a apei de alimentare</p> <ul style="list-style-type: none"> • Presiunea apei ar trebui să fie între 0,05 și 0,6 MPa.
	<p>Orificiile jeturilor de apă de pe brațele de pulverizare sunt blocate.</p> <ul style="list-style-type: none"> • Curățați brațele de pulverizare.
	<p>Încărcare necorespunzătoare a vaselor.</p> <ul style="list-style-type: none"> • Asigurați-vă că vasele nu blochează rotirea brațului de pulverizare și că nu interferează cu dozatorul de detergent.
	<p>Filtrele sunt înfundate.</p> <ul style="list-style-type: none"> • Curățați filtrele.
	<p>Prea multe resturi de mâncare care nu au fost îndepărtate de pe vase.</p> <ul style="list-style-type: none"> • Particulele mari de resturi alimentare trebuie să fie scoase din vase înainte de a începe spălarea.

Uscare

Simptome	Cauze posibile & Soluție
Vasele nu se usucă.	Dozator pentru agentul de clătire gol. <ul style="list-style-type: none"> Verificați și umpleți dozatorul agentului de clătire dacă este gol. Pentru rezultate mai bune la uscare, deschideți puțin ușa după utilizare.
	Este posibil ca tabletele utilizate să nu conțină un agent de clătire. Acest lucru va reduce randamentul la uscare. <ul style="list-style-type: none"> Treceți la o tabletă care include un agent de clătire (contactați producătorul tabletei dacă nu sunteți sigur). În mod alternativ puteți utiliza un agent de clătire lichid în distribuitor, în situația în care tabletele nu conțin un agent de clătire încorporat.
	A fost selectat un ciclu fără opțiunea Extra Dry (Extra uscat). <ul style="list-style-type: none"> Selectați un ciclu care este prezintă setarea implicită la opțiunea Extra Dry (Extra uscat).

Wi-Fi

Simptome	Cauze posibile & Soluție
Aparatul dumneavoastră de acasă și telefonul inteligent nu sunt conectate la rețeaua Wi-Fi.	Parola pentru Wi-Fi la care încercați să vă conectați este incorectă. <ul style="list-style-type: none"> Găsiți rețeaua Wi-Fi conectată la smartphone-ul dvs. și eliminați-o, apoi înregistrați-vă aparatul în aplicația LG ThinQ.
	Datele mobile pentru smartphone-ul dvs. sunt activate. <ul style="list-style-type: none"> Oprțiți Datele mobile ale telefonului dumneavoastră și înregistrați aparatul prin intermediul rețelei Wi-Fi.
	Denumirea rețelei wireless (SSID) este setată în mod incorect. <ul style="list-style-type: none"> Numele rețelei wireless (SSID) trebuie să fie o combinație de litere din alfabetul englez și cifre (nu folosiți caractere speciale).
	Frecvența routerului nu este de 2,4 GHz. <ul style="list-style-type: none"> Sunt suportate doar routere cu frecvența de 2,4 GHz. Setați routerul wireless la 2,4 GHz și conectați aparatul la routerul wireless. Pentru a verifica frecvența routerului, consultați-vă furnizorul de servicii de Internet sau producătorul routerului.
	Distanța dintre aparat și router este prea mare. <ul style="list-style-type: none"> În cazul în care distanța dintre aparat și router este prea mare, semnalul poate fi slab și conexiunea poate să nu fie configurată în mod corect. Mutați routerul astfel încât acesta să fie mai aproape de aparat.

ANEXĂ

Fișa produsului

Regulamentul delegat al Comisiei (EU) Nr 2019/2017

Denumirea sau marca comercială a furnizorului: LG Electronics Inc

Adresa furnizorului*²: LG Electronics European Shared Service Centre B.V., Krijgsman 1, 1186 DM Amstelveen, Olanda

*1 pentru programul eco.

*2 modificările aduse acestor elemente nu trebuie considerate relevante în scopul articolului 4 alineatul (4) din Regulamentul (UE) 2017/1369.

Identificatorul de model: DF425***

Parametrii generali ai produsului:

Parametru	Valoare	Parametru	Valoare	
Capacitatea nominală* ¹ (nr. seturi de vase)	14	Dimensiunile în cm	Înălțime	85
			Lățime	60
			Adâncime	60
EEI* ¹	49,9	Clasa de eficiență energetică* ¹	D	
Indicele de performanță a curățării* ¹	1,13	Indicele de performanță a uscării* ¹	1,07	
Consumul de energie în kWh [pe ciclu], pe baza programului eco cu alimentare cu apă rece. Consumul real de energie va depinde de modul de utilizare a aparatului.	0,849	Consumul de apă în litri [pe ciclu], pe baza programului eco. Consumul real de apă va depinde de modul de utilizare a aparatului și de duritatea apei.	9,5	
Durata programului* ¹ (ore și minute)	03:13	Tipul	de sine stătătoare	
Emisiile acustice în aer* ¹ (dB(A) re 1 pW)	41	Clasa de emisii acustice în aer* ¹	B	
Modul oprit (W)	0,49	Modul standby (W)	0,49	
Pornire cu întârziere (W) (dacă se aplică)	3,99	Standby în rețea (W) (dacă se aplică)	1,99	

Durata minimă a garanției oferite de furnizor*²: 2 ani

Informații suplimentare: www.lg.com

Identificatorul de model: DF325***

Parametrii generali ai produsului:

Parametru	Valoare	Parametru	Valoare	
Capacitatea nominală* ¹ (nr. seturi de vase)	14	Dimensiunile în cm	Înălțime	85
			Lățime	60
			Adâncime	60
EEI* ¹	55,9	Clasa de eficiență energetică* ¹	E	
Indicele de performanță a curățării* ¹	1,13	Indicele de performanță a uscării* ¹	1,07	
Consumul de energie în kWh [pe ciclu], pe baza programului eco cu alimentare cu apă rece. Consumul real de energie va depinde de modul de utilizare a aparatului.	0,951	Consumul de apă în litri [pe ciclu], pe baza programului eco. Consumul real de apă va depinde de modul de utilizare a aparatului și de duritatea apei.	9,5	
Durata programului* ¹ (ore și minute)	03:48	Tipul	de sine stătătoare	
Emisiile acustice în aer* ¹ (dB(A) re 1 pW)	42	Clasa de emisii acustice în aer* ¹	B	
Modul oprit (W)	0,26	Modul standby (W)	0,26	
Pornire cu întârziere (W) (dacă se aplică)	3,99	Standby în rețea (W) (dacă se aplică)	1,99	
Durata minimă a garanției oferite de furnizor*²: 2 ani				
Informații suplimentare: www.lg.com				

Identificatorul de model: DF325**

Parametrii generali ai produsului:

Parametru	Valoare	Parametru	Valoare	
Capacitatea nominală* ¹ (nr. seturi de vase)	14	Dimensiunile în cm	Înălțime	85
			Lățime	60
			Adâncime	60
EEI* ¹	55,9	Clasa de eficiență energetică* ¹	E	
Indicele de performanță a curățării* ¹	1,13	Indicele de performanță a uscării* ¹	1,07	
Consumul de energie în kWh [pe ciclu], pe baza programului eco cu alimentare cu apă rece. Consumul real de energie va depinde de modul de utilizare a aparatului.	0,951	Consumul de apă în litri [pe ciclu], pe baza programului eco. Consumul real de apă va depinde de modul de utilizare a aparatului și de duritatea apei.	9,5	
Durata programului* ¹ (ore și minute)	03:48	Tipul	de sine stătătoare	
Emisiile acustice în aer* ¹ (dB(A) re 1 pW)	44	Clasa de emisii acustice în aer* ¹	B	
Modul oprit (W)	0,26	Modul standby (W)	0,26	
Pornire cu întârziere (W) (dacă se aplică)	3,99	Standby în rețea (W) (dacă se aplică)	1,99	
Durata minimă a garanției oferite de furnizor*²: 2 ani				
Informații suplimentare: www.lg.com				

Regulamentul delegat al Comisiei (EU) Nr 1059/2010

Numele furnizorului sau marca înregistrată	LG			
	DF425***	DF325***	DF325**	
Capacitate nominală, în număr standard de seturi de vase, pentru ciclul standard de spălare	14			Nr. seturi de vase
Clasa de eficiență energetică	A+++	A++	A++	
Produsul prezintă o „etichetă ecologică UE” în conformitate cu Regulamentul (CE) numărul 66/2010	Nu			
Consum de energie „X” kWh pe an, pe baza a 280 de cicluri standard de spălare care utilizează alimentarea cu apă rece și consumul în modurile cu putere redusă. Consumul real de energie depinde de modul în care este utilizat aparatul.	237	266	266	kWh/an
Consumul de energie (Et) al ciclului standard de spălare	0,83	0,944	0,944	kWh
Consumul de energie în modul oprit	0,49	0,26	0,26	W
Consumul de energie în modul inactiv	0,49	0,26	0,26	W
Consumul de apă „X” litri pe an, pe baza a 280 de cicluri standard de spălare. Consumul real de apă depinde de modul în care este utilizat aparatul.	2700			litri/an
Clasa de eficiență a uscării „X” pe o scară de la G (mai puțin eficientă) la A (cea mai eficientă)	A			
„Eco” este ciclul standard de curățare la care se referă informațiile din etichetă și din fișă, adică acest program este adecvat pentru curățarea tacâmurilor obișnuite și este cel mai eficient program din punctul de vedere al consumului combinat de energie și apă.				
Durata programului pentru ciclul standard de spălare	193	228	228	minute
Durata modului de așteptare (TI)	1			minute
Emisiile acustice în aer	41	42	44	dB(A)
De sine stătător				

Memo

NÁVOD NA POUŽÍVANIE

UMÝVAČKA RIADU



Pred inštaláciou si pozorne prečítajte tieto pokyny. Inštalácia tak bude jednoduchšia a bude zaručené, že produkt je nainštalovaný správne a bezpečne. Uchovajte si tieto pokyny v blízkosti produktu na budúce použitie.

SLOVENČINA

DF425*** / DF325*** / DF325**

OBSAH

Tento návod na používanie môže obsahovať obrazový materiál a obsah, ktoré sa líšia od modelu, ktorý ste si zakúpili.

Tento návod podlieha revízií vykonanej výrobcom.

BEZPEČNOSTNÉ POKYNY

PRED POUŽITÍM SI PREČÍTAJTE VŠETKY POKYNY	4
VYHLÁSENIA VAROVANIA	4
VYHLÁSENIA UPOZORNENIA	10
OCHRANA ŽIVOTNÉHO PROSTREDIA	11

INŠTALÁCIA

Časti a špecifikácie	12
Príprava otvorov v skrinke na umývačku riadu	14
Uvedenie spotrebiča do vodorovnej polohy	17
Namontovanie odtokovej hadice	18
Príprava pripojenia vody a elektriny	19
Záverečná kontrola inštalácie	20

PREVÁDZKA

Pred použitím	22
Prevádzka – prehľad	25
Ovládací panel	28
Umývacie cykly	29
Možnosti a ďalšie funkcie	30
Tabuľka programov	33
Informácie pre test	40
Vkladanie riadu do umývačky	41
Pridanie čistiacich prostriedkov	47
Doplňovanie	49
Užitočné tipy	49

INTELIGENTNÉ FUNKCIE

Aplikácia LG ThinQ	50
Smart Diagnosis	52

ÚDRŽBA

Čistenie a starostlivosť	54
--------------------------------	----

RIEŠENIE PROBLÉMOV

Skôr ako zavoláte servis58

DODATOK

Produktový štítok65

BEZPEČNOSTNÉ POKYNY

PRED POUŽITÍM SI PREČÍTAJTE VŠETKY POKYNY

Cieľom týchto bezpečnostných pravidiel je predchádzať nepredvídaným rizikám a škodám spôsobeným nebezpečným alebo nesprávnym používaním produktu.

Tieto pravidlá sú rozdelené do skupín „VAROVANIA“ a „UPOZORNENIA“, ktoré sú podrobnejšie vysvetlené nižšie.

Bezpečnostné upozornenia



Tento symbol je uvedený na označenie vecí a činností, ktoré môžu spôsobiť riziko.

Pozorne si prečítajte časť s týmto symbolom a postupujte podľa pokynov, aby ste predišli riziku.



VAROVANIE

označuje situácie, v ktorých môže mať nedodržanie pokynov za následok závažné zranenie alebo smrť.



UPOZORNENIE

označuje situácie, v ktorých môže nedodržanie pokynov spôsobiť menej závažné zranenie alebo poškodenie výrobku.

VYHLÁSENIA VAROVANIA

VAROVANIE

- Aby ste pri používaní tohto výrobku znížili riziko výbuchu, vzniku požiaru, usmrtenia, zásahu elektrickým prúdom, poranenia alebo obarenia osôb, dodržiavajte základné bezpečnostné opatrenia vrátane opatrení, ktoré sa uvádzajú nižšie:
-

Technická bezpečnosť

- Tento spotrebič nie je určený na používanie osobami (vrátane detí) so zníženými fyzickými, zmyslovými alebo duševnými schopnosťami, či s nedostatkom skúseností a znalostí, pokiaľ nie sú pod dozorom alebo ich osoba zodpovedná za ich bezpečnosť nepoučila o používaní spotrebiča. Deti musia byť pod dozorom, aby sa so spotrebičom nehrali.
- Dodržiavajte informácie uvedené v časti Technické údaje o maximálnom počte jedálenských súprav, ktoré sa môžu umývať v umývačke riadu.
- Tlak vody musí byť od 0,05 MPa do 0,6 MPa.

Inštalácia

- Nikdy sa nesnažte používať spotrebič, ak je poškodený, nefunguje správne, je čiastočne rozobratý, alebo niektoré jeho časti chýbajú alebo sú pokazené vrátane poškodeného kábla alebo zástrčky.
- Ak je napájací kábel alebo zástrčka poškodená alebo otvory v zásuvke sú uvoľnené, kábel nepoužívajte a kontaktujte autorizované servisné stredisko.
- Neupravujte napájací kábel dodaný spolu so spotrebičom. Obráťte sa na informačné stredisko spoločnosti LG, kde vám poradia, či je nekompatibilný.
- Tento spotrebič by mali prepravovať aspoň dve osoby, ktoré ho budú bezpečne držať.
- Spotrebič neinštalujte na vlhkom a prašnom mieste. Spotrebič neinštalujte ani neskladujte vonku, ani na miestach podliehajúcim vplyvom počasia ako je priame slnečné svetlo, vietor, dážď alebo teploty pod bodom mrazu.
- Nepoužívajte na zapojenie tohto spotrebiča rozbočovacie zásuvky, predlžovací napájací kábel ani adaptér.
- Pred inštaláciou alebo údržbou spotrebiča odpojte napájací kábel, domové poistky alebo istič.
- Pri premiestňovaní alebo inštalácii výrobku na iné miesto zavolajte kvalifikovaného servisného technika, ktorý vykoná inštaláciu a servis.

- Odtokovú hadicu pripevnite pevne.
- Tento spotrebič nie je určený na použitie v námornej doprave alebo na mobilné inštalácie, ako sú napríklad karavany, prívesy alebo lietadlá.
- Tento spotrebič musí byť umiestnený v blízkosti elektrického napájania.
- Pri inštalácii alebo premiestňovaní spotrebiča dávajte pozor, aby nedošlo k poškodeniu napájacieho kábla.
- Použite novú hadicu alebo súpravu hadíc dodané so spotrebičom. Opätovné použitie starých hadíc môže spôsobiť únik vody a následné majetkové škody.
- Nesprávne pripojenie ochranného vodiča môže mať za následok riziko zásahu elektrickým prúdom. Ak máte pochybnosti o správnom uzemnení spotrebiča, poraďte sa s kvalifikovaným elektrikárom alebo servisným pracovníkom.
- Tento spotrebič sa musí uzemniť. V prípade poruchy alebo poškodenia sa uzemnením zníži riziko úrazu elektrickým prúdom zabezpečením odvodu elektrického prúdu dráhou s najnižším odporom.
- Spotrebič je vybavený napájacím káblom s ochranným vodičom a uzemňovacou zástrčkou. Zástrčka musí byť zapojená do zodpovedajúcej elektrickej zásuvky, ktorá je správne nainštalovaná a uzemnená v súlade so všetkými miestnymi predpismi a nariadeniami.
- Po montáži, ale pred zasunutím spotrebiča do otvoru v kuchynskej zostave, skontrolujte, či hadicové pripojenie tesní.
- Nepoškodujte napájací kábel ani na neho nepokladajte ťažké predmety.
- Tento spotrebič je určený iba na použitie v domácnostiach a v rámci podobného typu použitia a nesmie sa používať na komerčné účely.
- V prípade trvalo pripojenej umývačky riadu: Tento spotrebič musí byť pripojený k uzemňovacej kovovej časti, pevnej elektroinštalácii alebo uzemňovací vodič spotrebiča musí byť vedený súbežne s inými vodičmi rozvodu a byť pripojený k uzemňovacej svorke spotrebiča alebo k hlavnému vodiču spotrebiča.

- Pripojte uzemňovací vodič k zelenému uzemňovaciemu konektoru v svorkovnicovej skrinke.

Prevádzka

- Ak spozorujete podivný zvuk, zápach alebo dym vychádzajúci zo spotrebiča, okamžite odpojte sieťovú zástrčku a obráťte sa na zákaznícke informačné stredisko spoločnosti LG Electronics.
- Nevykonávajte opravu ani výmenu žiadneho dielu spotrebiča. Pokiaľ sa v návode na použitie výslovne neodporúča inak, všetky opravy a servis musia vykonávať kvalifikovaní servisní pracovníci. Používajte iba výrobcom schválené náhradné diely.
- Dvierka spotrebiča nenechávajte otvorené. Deti by sa mohli vešať na dvierka alebo vliezť dovnútra spotrebiča a zraniť sa alebo poškodiť spotrebič.
- V blízkosti spotrebiča nepoužívajte horľavé plyny ani zápalné látky (benzén, benzín, riedidlo, naftu, alkohol atď.).
- Nepokúšajte sa oddeľovať žiadne panely ani rozoberať spotrebič. Na ovládanie spotrebiča pomocou ovládacieho panela nepoužívajte ostré predmety.
- Napájací kábel nadmerne neohýbajte, ani naň nekladte ťažké predmety.
- Do spotrebiča nevkladajte zvieratá, napríklad domácich miláčikov.
- Elektrickej zástrčky a ovládačov spotrebiča sa nedotýkajte mokrymi rukami.
- V prípade úniku plynu (izobutánu, propánu, zemného plynu a pod.) sa spotrebiča ani zástrčky nedotýkajte a miestnosť okamžite vyvetrajte.
- V prípade zatopenia odpojte sieťovú zástrčku a obráťte sa na zákaznícke informačné stredisko spoločnosti LG Electronics.
- Za určitých podmienok sa v teplovodnom systéme, ktorý nebol používaný počas minimálne dvoch týždňov, môže vytvárať plyný vodík. PLYNNÝ VODÍK JE VÝBUŠNÝ. Ak ste v tomto čase nepoužívali teplovodný systém, pred použitím spotrebiča otvorte všetky vodovodné kohútiky a nechajte vodu z každého kohútika niekoľko minút odtiecť. Tým sa uvoľní všetok nahromadený plyný vodík.

Keďže plyn je horľavý, v tomto čase nefajčite ani nepoužívajte otvorený plameň.

- Priestor pod spotrebičmi a okolo nich udržiajte bez prítomnosti horľavých materiálov, ako sú vlákna, papier, handry, chemikálie, atď.
- Niektoré čistiace prostriedky sú silne alkalické. Pri prehltnutí môžu byť veľmi nebezpečné. Vyhnite sa kontaktu s pokožkou a očami a držte deti mimo dosahu umývačky, ak sú dvierka otvorené. Po ukončení umývacieho cyklu skontrolujte, či je priehradka na čistiaci prostriedok prázdna.
- Nepoužívajte spotrebič, pokiaľ nie sú všetky kryty správne nainštalované.
- Používajte iba čistiace prostriedky alebo zmáčadlá, ktoré sa odporúčajú na použitie v spotrebiči a uchovávajúte ich mimo dosahu detí.
- Neumývajte ani nesusťte predmety, ktoré boli namočené vo výbušných látkach, ako sú benzín, rozpúšťadlá či čistiace prostriedky na báze rozpúšťadiel.
- Pri ukladaní predmetov určených na umytie:
 - Umiestnite ostré predmety tak, aby nemohli poškodiť tesnenie dverí.
 - Vložte ostré nože s rukovätami smerom hore, aby ste znížili riziko poranenia, napr. porezania.
- Neumývajte plastové predmety, pokiaľ nie sú označené ako „vhodné do umývačky riadu“ alebo podobným označením. V prípade plastových predmetov, ktoré nie sú označené, skontrolujte odporúčania výrobcu.
- Počas prevádzky alebo bezprostredne po použití sa nedotýkajte žiadneho ohrievacieho telesa (ak je voľne prístupné).
- Dvere umývačky ani koše na riad nepoužívajte nepovoleným spôsobom, nesadajte si na nich, ani na nich nestojte.
- Po umytí riadu zavrite kohútik. Pred umývaním kohútik znovu otvorte a skontrolujte stav pripojenia hadice na prívod vody.
- Počas prevádzky spotrebiča neotvárajte dvierka. Voda vystrekne von a môže spôsobiť nebezpečenstvo pošmyknutia.

- Pri zatváraní dvierok spotrebiča dávajte pozor, aby ste si neprivreli ruku.
- Neumývajte ani nesaňte predmety, ktoré boli namočené vo výbušných látkach, ako sú benzín, rozpúšťadlá či čistiace prostriedky na báze rozpúšťadiel.
- Nedotýkajte sa žiadneho namontovaného výstupu pary.
- Malé časti, ako napríklad príchytka na koše a príchytka na filtre, môžu predstavovať riziko pre malé deti v prípade ich vybratia z umývačky riadu. Uchovávajte ich preto mimo dosahu malých detí.
- Nože a iné príbory s ostrými hrotmi musia byť vložené do koša s hrotmi smerujúcimi nadol alebo umiestnené v horizontálnej polohe.
- Dvere by nemali zostať v otvorenej polohe, pretože by mohlo hroziť zakopnutie.

Údržba

- Pri odpájaní spotrebiča od zásuvky nikdy neťahajte za napájací kábel. Zástrčku vždy pevne uchopte a vytiahnite ju priamo z elektrickej zásuvky.
- Po úplnom odstránení všetkej vlhkosti a prachu elektrickú zástrčku bezpečne zapojte do zásuvky.
- Počas čistenia spotrebiča nestriekajte vodu na jeho vnútorný ani vonkajší povrch.
- Pred čistením spotrebiča je potrebné, aby ste ho odpojili od napájania. Nastavením ovládacích prvkov do polohy VYP. alebo pohotovostného režimu sa spotrebič neodpojí od napájania.

Likvidácia

- Starý spotrebič pred jeho likvidáciou odpojte od elektrickej siete. Odrežte kábel čo najbližšie k spotrebiču, aby sa zabránilo jeho ďalšiemu použitiu.
- Zlikvidujte všetok obalový materiál (ako plastové vrecia a polystyrén) mimo dosahu detí. Obalový materiál môže spôsobiť udusenie.

- Pred likvidáciou alebo vyhodením spotrebiča odmontujte dvierka, aby vnútri neuviazli deti alebo malé zvieratá.

VYHLÁSENIA UPOZORNENIA

UPOZORNENIE

- Aby ste pri používaní tohto výrobku znížili riziko požiaru, zásahu elektrickým prúdom alebo poranenia osôb, dodržiavajte základné bezpečnostné opatrenia vrátane opatrení, ktoré sa uvádzajú nižšie:

Inštalácia

- Výrobok nainštalujte na pevnú a rovnú podlahu.
- Počas inštalácie neumiestňujte pod umývačku riadu odtokovú hadicu.

Prevádzka

- Zatvorte vodovodný kohútik a vytiahnite zástrčku zo zásuvky, ak má byť spotrebič dlhšie mimo prevádzky, napríklad počas vašej dovolenky.
- Neumiestňujte na vrchnú časť spotrebiča žiadne predmety.
- Povrch výrobku neutierajte ani nepotierajte tekutým čistiacim prostriedkom alebo bielidlom (chlórovým bielidlom, kyslíkovým bielidlom, atď.). Nedodržanie týchto pokynov môže mať za následok koróziu alebo zmenu farby povrchového náteru.
- Nedotýkajte sa vody odtekajúcej zo spotrebiča, pretože môže byť horúca.
- Ak odtoková hadica a prírodná hadica v zime zamrznú, pred použitím ich rozmrazte.
- Nevkladajte ruky, nohy ani kovové predmety pod alebo za spotrebič.
- Neumývajte riad znečistený chemickými výrobkami, ako sú oleje, krémy alebo pleťové vody používané v masážnom salóne, obchode s kozmetikou alebo kozmetickom salóne.

Údržba

- Ak sa na vonkajšiu stranu výrobku vyleje olej na varenie, okamžite ho utrite. Vonkajšie časti výrobku nečistite čistiacimi prostriedkami, ktoré obsahujú alkohol, riedidlá, bielidlá, benzén, horľavé kvapaliny alebo abrazívne látky. Tieto látky môžu spôsobiť zmenu farby alebo poškodenie spotrebiča.

OCHRANA ŽIVOTNÉHO PROSTREDIA

Zneškodnenie starého spotrebiča



- Tento symbol prečiarknutého odpadkového koša na kolieskach znamená, že odpad z elektrických a elektronických zariadení (WEEE) musí byť zneškodnený samostatne od komunálneho odpadu.
- Staré elektrické produkty môžu obsahovať nebezpečné látky, preto správne zneškodnenie vášho starého spotrebiča pomôže zabrániť potenciálnym negatívnym dopadom na prostredie a ľudské zdravie. Váš starý spotrebič môže obsahovať diely, ktoré možno opätovne použiť na opravu iných produktov, a iné cenné materiály, ktoré možno recyklovať s cieľom chrániť obmedzené zdroje.
- Svoj spotrebič môžete zaniest' do predajne, kde ste výrobok zakúpili, alebo sa môžete obrátiť na oddelenie odpadov miestnej samosprávy a požiadať o informácie o najbližšom zbernom mieste odpadu z elektrických a elektronických zariadení (WEEE). Najnovšie informácie platné pre vašu krajinu nájdete na stránke www.lg.com/global/recycling.

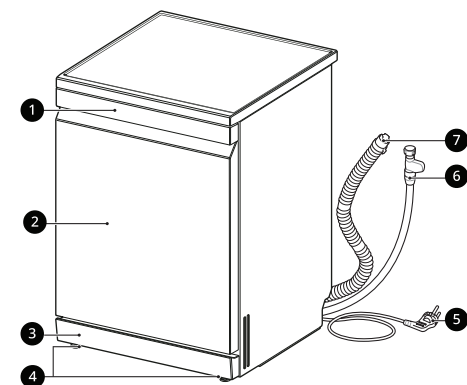
INŠTALÁCIA

Časti a špecifikácie

POZNÁMKA

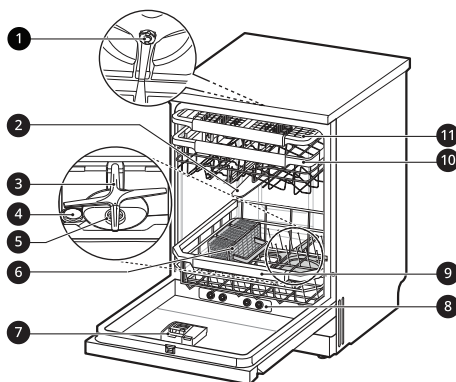
- Vzhľad a technické údaje sa môžu bez predchádzajúceho upozornenia zmeniť z dôvodu zvýšenia kvality spotrebiča.

Pohľad z prednej strany



- 1 Ovládací panel a rukoväť dverí
- 2 Predný kryt
- 3 Spodný kryt
- 4 Vyrovnávací nožička
- 5 Napájací kábel
- 6 Hadica na prívod vody
- 7 Odtoková hadica

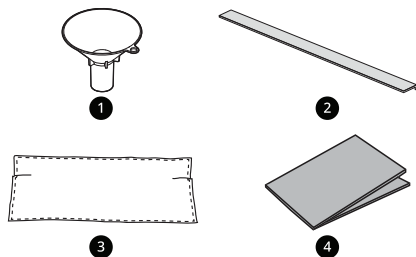
Pohľad do vnútorného priestoru



- 1 Pohonné koleso horného umývania
- 2 Horné ostrekovacie rameno
- 3 Spodné ostrekovacie rameno
- 4 Uzáver priehradky na soľ
- 5 Filtračný systém
- 6 Košík na príbory*1
- 7 Dávkovač čistiaceho a leštiaceho prostriedku
- 8 Parná dýza*1
- 9 Spodný kôš
- 10 Horný kôš
- 11 Stojan na príbory*1

*1 Táto funkcia je dostupná len na niektorých modeloch.

Príslušenstvo



- ❶ Lievik
- ❷ Protihluková páska*¹
- ❸ Plstený kryt
- ❹ Ochranná páska proti vlhkosti (hliníková páska)

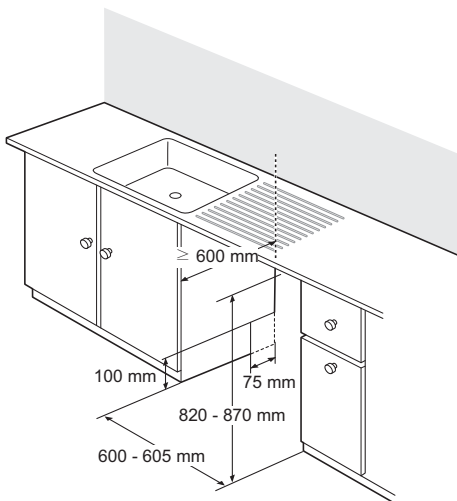
*1 K dispozícii sú protihlukové lišty: Dolná – 1 EA, Predná – 1 EA, Bočná – 2 EA

Technické údaje

Model	DF325*** / DF325**	DF425***
Napájanie	220 – 240 V~, 50 Hz	
Rozmery (Šírka X Hĺbka X Výška)	600 mm x 600 mm x 850 mm	
Hmotnosť produktu	Približne 49 kg	Približne 52 kg
Max. kapacita	14 jedálenských súprav	
Povolený tlak vody na vstupe	0,05 - 0,6 MPa	
Spotreba energie	1600 - 1800 W	

Príprava otvorov v skrinke na umývačku riadu

Výber správneho miesta



- Spotrebič nainštalujte na rovnú a stabilnú plochu podlahy.
- Na jednej zo strán vyrežte priestor na hadice a elektrické káble. (Približne 100 mm x 75 mm)
- Zvoľte si miesto čo najbližšie k drezu, aby ste si uľahčili pripojenie k vodovodnému a odtokovému potrubiu.
- Aby bol možný odtok, spotrebič by nemal byť nainštalovaný viac ako 1 meter od drezu.
- Ak je spotrebič nainštalovaný v rohu, musí byť medzi spotrebičom a príslušnou skrinkou alebo stenou vzdialenosť minimálne 50 mm.
- Pred zasunutím spotrebiča do montážneho otvoru je potrebné nastaviť všetky výšky pomocou kľúča.

! UPOZORNENIE

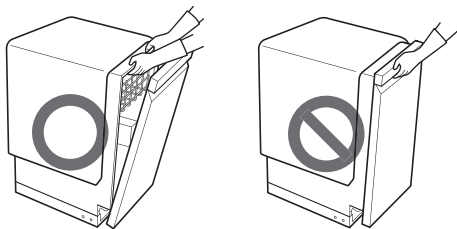
- Akékoľvek nechránené drevo v okolí spotrebiča by malo byť utesnené vodotesnou farbou alebo tesniacim prostriedkom, aby sa zabránilo jeho vydávaniu.
- Zasuňte umývačku riadu do skrinky a opatrne ju otvorte. Uistite sa, že odtoková hadica za

spotrebičom a vo vnútri skrinky nie je zauzlená alebo príliš napnutá.

- Spotrebič nainštalujte na rovný a stabilný povrch. Medzi podlahu a základňu alebo nohu spotrebiča nekladajte žiadne predmety.

POZNÁMKA

- Túto inštaláciu musí vykonať kvalifikovaný servisný personál, aby bola zaistená jej správnosť.
- Spotrebič neťahajte ani nezdvíhajte za rukoväť, mohlo by to poškodiť dvere a pánty. Aby ste zariadenie mohli premiestniť alebo zdvihnúť, otvorte dveria a uchopte rám umývačky a horný predný otvor vnútornej časti.



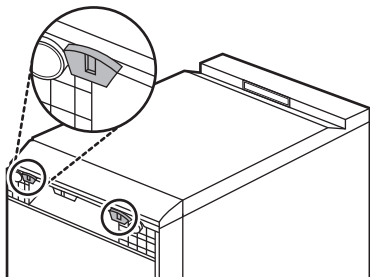
- Nezatvárajte dvere umývačky tak, že ich zatlačíte kolenom.



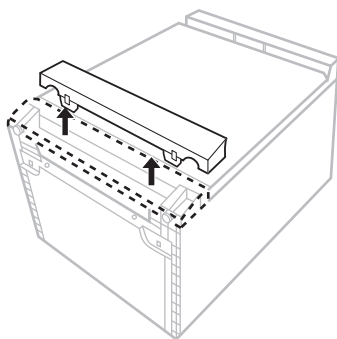
Pripojenie lišty k základni spotrebiča

Na zníženie hluku pripevnite k základni spotrebiča lištu.

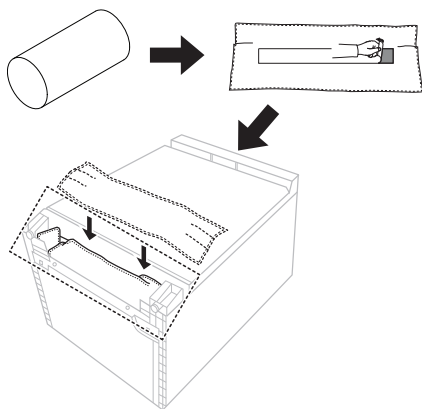
- 1** Spotřebič položte a potiahnite za oba háčiky v spodnej časti spodného krytu.



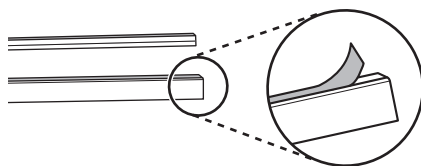
- 2** Potiahnite za spodný kryt a odoberte ho.



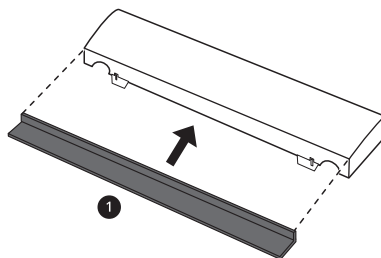
- 3** Odstráňte obojstrannú pásku na zadnej strane plsti a pripevnite ju na prednú stranu spodnej časti spotrebiča.



- 4** Odstráňte obojstrannú pásku zo spodnej a prednej lišty.

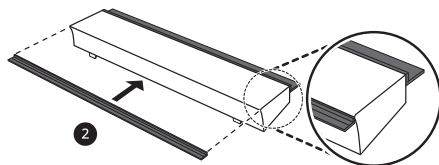


- 5** Pripojte čiernu spodnú lištu ① k spodnej časti spodného krytu.

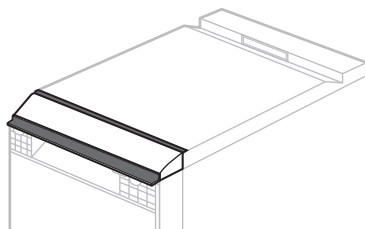


- 6** Pripojte čiernu prednú lištu ② k hornej časti spodného krytu.

- Predná lišta je dlhšia ako spodný kryt. Prednú lištu pripevnite tak, aby prečnievala rovnako na oboch stranách spodného krytu.



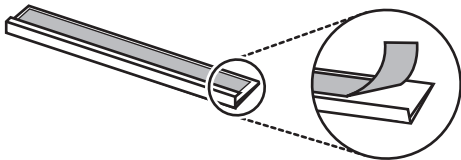
- 7** Nasadte spodný kryt s lištou na spotrebič.



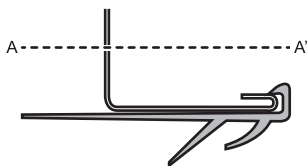
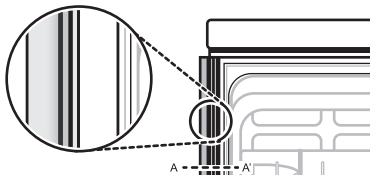
Pripevnenie lišty ku skrinke na boku spotrebiča

Ak chcete znížiť hluk, pripevnite lištu po bokoch spotrebiča, ak to otvárací priestor dovoľuje.

- 1 Odstráňte obojstrannú pásku z bočných lišt.



- 2 Nasadte bočnú lištu na prednú stranu bočnej skrinky a zatlačte ju tak, aby ku skrinke dobre priliehala.

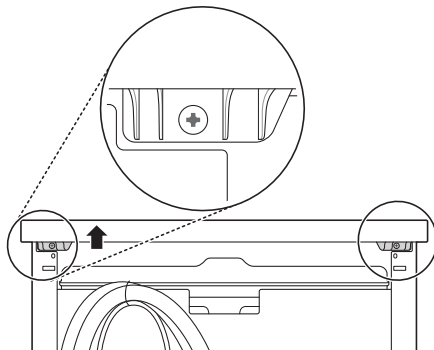


- 3 Zopakujte vyššie uvedené kroky a pripevnite protiláhlú bočnú lištu na opačnú bočnú skrinku.

Demontáž horného krytu

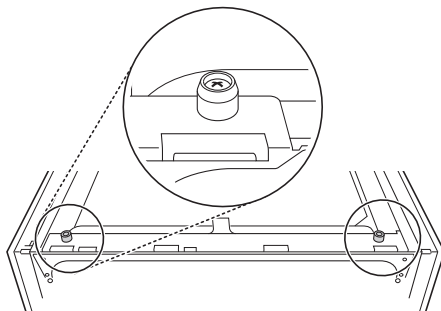
Ak je výška otvoru nižšia ako 850 mm, postupujte podľa týchto pokynov.

- 1 Odstráňte 2 skrutky na zadnej strane.



- 2 Po odstránení dvoch skrutiek potiahnite horný kryt smerom dozadu a potom ho vytiahnite nahor, aby ste ho odobrali.

- 3 Odstráňte ustavovacie kolíky z hornej časti pomocou krížového skrutkovača.



POZNÁMKA

- Keď je spotrebič správne vyrovnaný, pri otváraní dvierok by nemalo byť počut' žiadne šuchnutie, lepenie sa alebo trenie.

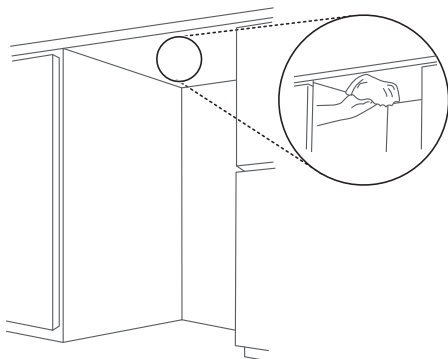
Inštalácia ochrannej pásky proti vlhkosti

Keď je spotrebič nainštalovaný bez horného krytu, spodná strana kuchynskej linky sa môže pri otváraní dvierok poškodiť v dôsledku pary alebo kondenzovanej vlhkosti.

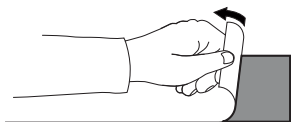
- Na spodnú stranu kuchynskej linky nainštalujte ochrannú pásku proti vlhkosti, aby ste ju

ochránili pred kondenzovaným vlhkom pri otváraní spotrebiča.

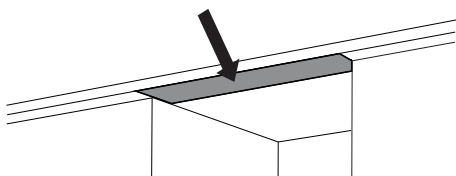
- 1 Vyčistite a vysušte spodnú stranu kuchynskej linky, ku ktorej bude páska pripevnená.



- 2 Odstráňte z pásky ochrannú fóliu.



- 3 Nalepte pásku na spodnú stranu kuchynskej linky.



POZNÁMKA

- Ochranná páska proti vlhkosti je súčasťou balenia.
- Ak je kuchynská linka vyrobená z granitu alebo vodotesných materiálov, nie je ochranná páska proti vlhkosti potrebná.
- Ak je teplota v miestnosti nízka, môže sa na spodnej strane alebo pozdĺž prednej hrany kuchynskej linky objavovať kondenzovaná vlhkosť.

Uvedenie spotrebiča do vodorovnej polohy

Kontrola vyrovnania

Uvedením spotrebiča do vodorovnej polohy sa zabráni zbytočnému úniku vody a nedostatočnému umývaniu. Po inštalácii skontrolujte, či je spotrebič v dokonale vodorovnej polohe.

- Ak sa spotrebič kýva pri potlačení hornej dosky spotrebiča v uhlopriečnom smere, znova nastavte nožičky.

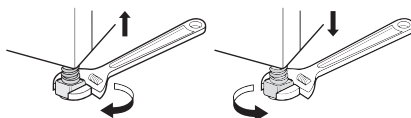
POZNÁMKA

- Ak je pri otváraní dvierok počutí trenie alebo lepenie sa, spotrebič nie je vyrovnaný.

Nastavenie a vyrovnanie spotrebiča

Ak spotrebič nie je v dokonale vodorovnej polohe, otáčajte nastaviteľné nožičky, až kým sa už spotrebič nebude kývať.

- Otáčaním nastaviteľných nožičiek v smere hodinových ručičiek ho zdvihnete alebo otáčaním nastaviteľných nožičiek proti smeru hodinových ručičiek ho spustíte spredu dozadu, zo strany na stranu a od rohu k rohu.



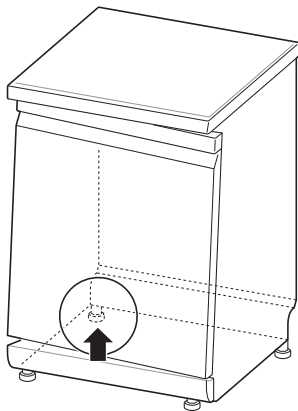
POZNÁMKA

- Spotrebič postavte na pevnú, rovnú podlahu.
- Spotrebič neinštalujte na vyvýšený povrch.

Prípád 1. Dvere sú naklonené doprava

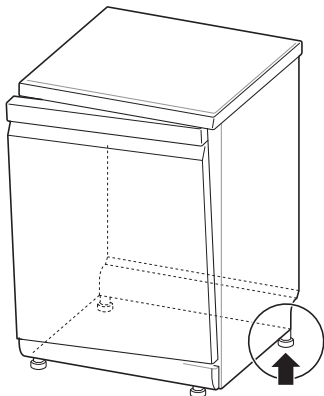
- 1 Odskrutkujte (proti smeru hodinových ručičiek) zadnú ľavú nohu a upravte jej úroveň.

- 2** Skontrolujte otvorenie dveriek a v prípade potreby postup zopakujte, kým sa dvierka neotvárajú a nezatvárajú správne.



Príp. 2. Dvere sú naklonené doľava

- 1** Odskrutkujte (proti smeru hodinových ručičiek) pravú zadnú nohu a upravte jej úroveň.
- 2** Skontrolujte otvorenie dveriek a v prípade potreby postup zopakujte, kým sa dvierka neotvárajú a nezatvárajú správne.



Namontovanie odtokovej hadice

Ak koniec odtokovej hadice nezapadá do odtokového potrubia, použite súpravu na

predĺženie odtoku (voliteľné príslušenstvo), ktorá je odolná voči teplu a čistiacim prostriedkom.

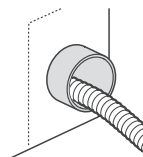
- K dispozícii by mala byť v železiarstve alebo inštalatérskych potrebách.

Pripojenie k odtokovému hrdlu

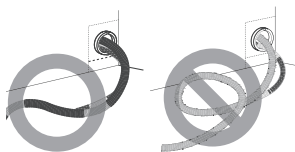
Pri počiatočnej inštalácii skontrolujte hrdlo odpadu. Ak sa otvor pre odtokové hrdlo pod drezom nevyvrta správne, môže sa objaviť chyba **E**. Aby ste mohli pripojiť odtokovú hadicu, vyvrtajte pred jej pripojením a pripevnením k odtokovému hrdlu minimálne 15 mm otvor.

⚠ UPOZORNENIE

- Po vyvrtaní sa uistite, že vo vnútri hrdla nezostali zvyšky plastu.
- Nepokúšajte sa otvoriť otvor na odpad skrutkovačom a kladivom. Spôsobí to uviaznutie nečistôt a poruchu.
- Pri ťahaní hadíc cez otvory skrinky buďte opatrní, pretože otvory môžu mať ostré hrany a poškodiť hadice. Hrany vyhladte alebo vybrúste, aby ste zabránili poškodeniu odtokovej alebo prívodnej hadice.



- Uistite sa, že hadicové vedenie nie je zauzlené ani ostro ohnuté.

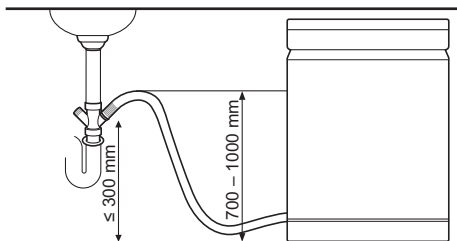


- Uistite sa, že odtoková hadica sa nachádza prírodným koncom priamo pred otvorom pre prívod vody.

Aby sa zabránilo zápachu z odtoku, použite jednu z nasledujúcich metód.

Metóda 1

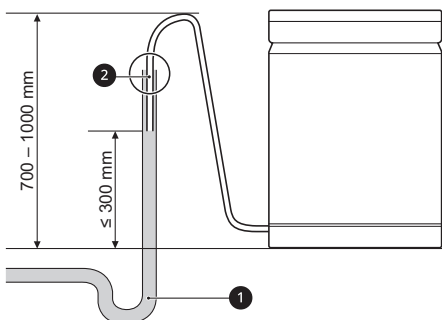
Pri pripájaní odtokovej hadice k odtokovému hrdlu, zviňte hadicu až k spodnej strane kuchynskej linky a zaistite ju.



Metóda 2

Ak je odtoková hadica pripojená k samostatnému potrubiu ①, je nevyhnutné, aby bolo vytvorené vzduchotesné spojenie ②. V opačnom prípade môže dochádzať k šíreniu zápachu.

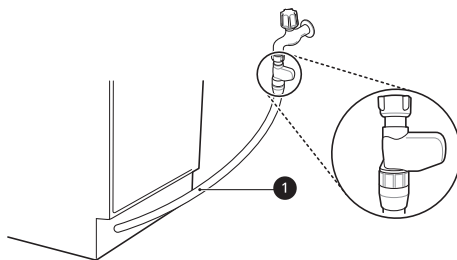
- Priemer potrubia je najmenej 40 mm.



Príprava pripojenia vody a elektriny

Pripojenie hadice k vodovodnému kohútiku

Pripojte prívodnú hadicu ① k vodovodnému kohútiku.

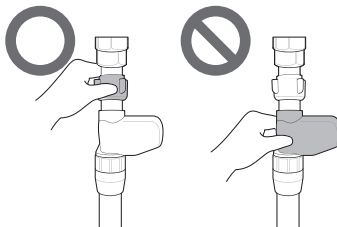


⚠ VAROVANIE

- Neskracujte ani nepoškodzujte prívodnú hadicu, pretože obsahuje elektrické vodiče a komponenty. Na účely inštalácie nesmie byť zo spotrebiča odpojená ani odstránená.
- Je dôležité, aby hadica na prívod vody nebola menená, urezaná, rozobratá, vytiahnutá alebo zauzlená. V jej vnútri sa nachádza elektrické vedenie a v prípade poškodenia, môže spôsobiť úraz elektrickým prúdom.

⚠ UPOZORNENIE

- K jej pripevneniu na vodovodný kohútik použite iba závitovú maticu prívodnej hadice.
- Pri pripájaní hadice na prívod vody k vodovodnému kohútiku hadicou neotáčajte ani ju nezauzľujete.



⚠ UPOZORNENIE

- Tento spotrebič môže byť napájaný teplou alebo studenou vodou. Ak sa pripojenie vody nedá udržať pod 65 °C, musí byť spotrebič pripojený k studenej vode.
- Na závit kohútika použite tesniacu pásku alebo tesniacu zmes, aby sa zabránilo úniku vody.
- Uistite sa, že hadicové vedenie nie je zauzlené ani ostro ohnuté.

POZNÁMKA

- Pred pripojením hadice na prívod vody k vodovodnému kohútiku otvorte kohútik, aby ste z vodovodného potrubia vypláchli cudzie látky (nečistoty, piesok alebo piliny). Nechajte vodu odtiecť do vedra.
- Kým potečie prvá voda vhodná na prívod, potrvá to asi 3 - 4 minúty.

Vedenie elektrickej inštalácie

Spotrebič pripojte k uzemnenej zásuvke v súlade s platnými predpismi o elektroinštalácii tak, aby bol chránený min. 15 ampérovým ističom alebo poistkou s časovým oneskorením.

Zapojenie musí byť dvojvodičové s uzemnením.

Napájacia šnúra by nemala byť umiestnená za spotrebičom, ale vo vzdialenosti 1,2 m od bočnej strany tak, aby bola zástrčka ľahko prístupná.

⚠ VAROVANIE

- Z dôvodov osobnej bezpečnosti pred inštaláciou odstráňte poistku alebo otvorte istič alebo vypnite sieťovú zástrčku.
- Nepoužívajte predlžovací kábel ani rozdvojku.
- Zástrčka musí byť zapojená do zodpovedajúcej elektrickej zásuvky, ktorá je správne nainštalovaná a uzemnená v súlade so všetkými miestnymi predpismi a nariadeniami.
- Opravy spotrebiča smú vykonávať iba kvalifikovaní pracovníci. Opravy vykonávané neskúsenými osobami môžu spôsobiť zranenie alebo vážne poruchy. Obráťte sa na naše miestne servisné stredisko.

- Aby ste predišli elektrickému preťaženiu, pripojte spotrebič k správne dimenzovanému a chránenému napájaciu okruhu.

Záverečná kontrola inštalácie

Vyskúšanie umývačky riadu

- 1 Zapnite elektrické napájanie.
- 2 Otvorte prívod vody.
- 3 Ak je jednotka správne vyrovnaná, dvere by sa mali otvárať a zatvárať hladko a bez ostrého hľuku.
- 4 Spustite cyklus **Rinse (Leštenie)** spotrebiča, aby ste overili správnu funkciu a skontrolovali, či nedochádza k úniku vody.

Kódy chyby pri kontrole inštalácie

Kód chyby	Možná príčina a riešenie
OE	<p>Odtoková hadica je zauzlená alebo stlačená.</p> <ul style="list-style-type: none"> • Prívodné a odtokové hadice posuňte cez otvor pod drezom. Potom postupne zasúvajte umývačku riadu do skrinky a zároveň ťahajte za hadice pod drezom, aby neboli zbytočne voľné. Pomáha to predísť zauzleniu hadíc alebo ich zachyteniu pod umývačkou riadu.
	<p>Odtokové hrdlo pod drezom je upchaté.</p> <ul style="list-style-type: none"> • Pod drezom vyvrtajte odtokové hrdlo.

Kód chyby	Možná příčina a riešenie
I E	Vodovodné potrubie pod umývačkou riadu je zauzlené. <ul style="list-style-type: none">• Prívodné a odtokové hadice posuňte cez otvor pod drezom. Potom postupne zasúvajte umývačku riadu do skrinky a zároveň ťahajte za hadice pod drezom, aby neboli zbytočne voľné. Pomáha to predísť zauzleniu hadíc alebo ich zachyteniu pod umývačkou riadu.
	Nie je zapnutý prívod vody. <ul style="list-style-type: none">• Zapnite prívod vody. Tlak vody môže byť príliš vysoký alebo príliš nízky.

PREVÁDZKA

Pred použitím

Tento model je vybavený zmäkčovačom vody na zmäkčenie tvrdej vody.

- 3 Skontrolujte farbu tvrdosti vody na prúžku. Porovnajte s obalom.

POZNÁMKA

- Spotrebič je možné používať bez soli do umývačky riadu, ak nie je potrebná, ale úroveň tvrdosti musí byť nastavená na H0, aby ikona nezostala rozsvietená.
- Ak chcete dosiahnuť uspokojujivé výsledky leštenia, spotrebič potrebuje mäkkú vodu, t.j. vodu, ktorá obsahuje málo vodného kameňa alebo žiadny vodný kameň. V opačnom prípade zostanú na riade a vo vnútri spotrebiča škvrny od vody.
- Ak voda z vodovodu prekročí určitú úroveň tvrdosti, je nutné ju zmäkčiť, t.j. odvápnit. Toho dosiahnete pridaním soli určenej pre umývačky riadu do zmäkčovača vody vo vnútri spotrebiča. Požadované množstvo soli sa nastaví podľa tvrdosti vody z vodovodu.

Kontrola úrovne tvrdosti vody

Metóda 1

- 1 Skontrolujte tvrdosť vody vo vašej oblasti. Vodárenská spoločnosť vám s tým môže pomôcť.
- 2 Nastavte úroveň systému zmäkčovania v spotrebiči podľa úrovne tvrdosti vody.

Metóda 2

Tvrdosť vody môžete skontrolovať pomocou testovacieho prúžku, ktorý je súčasťou výrobku.

- 1 Ponorte všetky reakčné zóny testovacieho prúžku na približne jednu sekundu. Nevkladajte pod tečúcu vodu.
- 2 Prebytočnú vodu straste z prúžku a počkajte 1 minútu.

Tabuľka tvrdosti vody

Tvrdosť vody							Úroveň zmäkčovania	Pomer* 1
ppm	°d	°e	°f	mmol/l (Ca+Mg)	mg/l (Ca)	Rozsah		
0	<4	<5	<7	<0,7	<29	Mäkká	H0	-
75	4 - 7	5 - 9	7 - 13	0,7 - 1,3	29 - 50		H1	1:24
125	7 - 14	9 - 17,5	13 - 25	1,3 - 2,5	50 - 100		H2	1:7
250	14 - 21	17,5 - 26	25 - 38	2,5 - 3,8	100 - 150		H3	1:4
375	>21	>26	>38	>3,8	>150	Tvrdá	H4	2:1

*1 Počet regenerácií zmäkčovača vody *2: počet umývacích cyklov *3

*2 Regenerácia zmäkčovača vody sa vykonáva na konci operácie hlavného umývania podľa programu **Eco**.

*3 Umývací cyklus pozostáva zo 4 operácií (Predumývanie, Hlavné umývanie, Leštenie, Horúce leštenie) podľa programu **Eco**.

Nastavenie systému zmäkčovania vody

Aby boli výsledky umývania efektívne, nastavte nastavenie zmäkčovača tak, aby zodpovedalo úrovni tvrdosti vody použitej v prírode vody. Zmäkčovač vody má 5 úrovní nastavenia, pričom spotrebič je naprogramovaný z výroby na úroveň tvrdosti vody H2. Predvolenú hodnotu nastavenia môžete skontrolovať a upraviť v nasledujúcich krokoch:

- 1 Stlačte súčasne tlačidlá **Výkon** a **Half Load (Polovičná dávka)**.
 - Zobrazí sa aktuálna hodnota nastavenia.
- 2 Stlačte tlačidlo **Delay Start (Odloženie štartu)** a potom nastavte požadovanú hodnotu.
 - Rozsah nastavenej hodnoty je H0 až H4.
- 3 Stlačením tlačidla **Start (Štart)** uložte nastavenia.
 - Po uložení sa napájanie vypne.

POZNÁMKA

- Ak sa soľ do umývačky nenachádza v systéme zmäkčovania, na displeji sa rozsvieti ikona **Doplniť soľ**
- Ak je nastavenie tvrdosti nastavené na H0, nerozsvieti sa žiadna ikona napriek neprítomnosti soli.

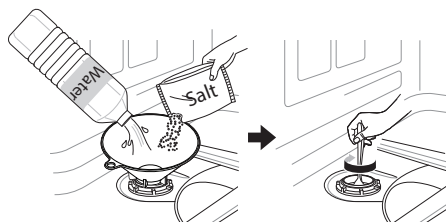
Vloženie soli do umývačky riadu

Dávka soľi je nutné naplniť soľou pred spustením programu umývania. V prípade nedostatočného množstva soli sa na displeji zobrazí ikona **Doplniť soľ** , pokiaľ nie je úroveň tvrdosti nastavená na hodnotu H0.

⚠ UPOZORNENIE

- Po vložení soli do umývačky riadu musíte okamžite spustiť cyklus Leštenie, aby ste odstránili soľ a slanú vodu nachádzajúcu sa vo vnútornom priestore umývačky a zabránili tým korózii.

- 1 Vyberte spodný kôš a odstráňte uzáver dávkovača soli, ktorý sa nachádza na ľavej strane filtrov.
- 2 Pred prvým použitím spotrebiča je potrebné naliať do umývačky riadu naraz 1 kg soli do umývačky riadu a 1 liter vody, ak chcete použiť systém zmäkčovania vody. Na doplnenie soli použite lievik. Pozrite si časť **Pred použitím**.



- 3 Uzáver nasadte pevne späť.

- 4 Spustíte cyklus **Rinse (Leštenie)** bez riadu.

Cyklus dopĺňania soli (1 kg pre každú dávku)

	H1	H2	H3	H4
Cykly	130	50	20	10

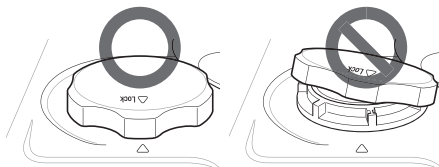
- Tabuľka popisuje informácie o programe **Auto**.
- Cyklus sa môže líšiť podľa množstva doplňovanej soli.

⚠ UPOZORNENIE

- Do dávkovača soli nedávajte žiadne čistiace prostriedky. Spôsobí to poruchu.
- Utrite všetku soľ rozsypanú okolo uzáveru dávkovača soli. Solný roztok, ktorý sa dostane dovnútra, môže spôsobiť koróziu vo vnútornej

časti umývačky riadu a koróziu náplne umývačky riadu.

- Uzáver riadne uzavrite tak, že ho vodorovne zarovnáte a otočíte v smere hodinových ručičiek. Voľne nasadený uzáver môže spôsobiť, že solný roztok unikne z dávkovača soli do vnútornej časti umývačky riadu a spôsobí koróziu.
- Po doplnení soli do umývačky riadu by ste mali použiť program na umývanie, ale bez riadu, pretože soľ rozsypaná vo vnútri spotrebiča môže spôsobiť koróziu alebo poškodenie spotrebiča, ak by ste ho nechali neumytý.



POZNÁMKA

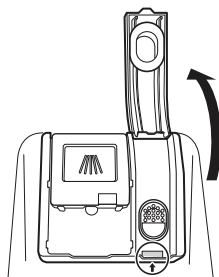
- Soľ môžete zakúpiť od distribútorov soli.

Pridanie leštiaceho prostriedku

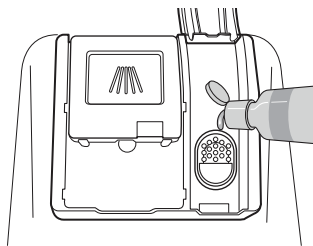
Indikátor **Leštiaci prostriedok** sa zobrazí na displeji, keď je potrebné väčšie množstvo leštiaceho prostriedku.

Použitie leštiaceho prostriedku sa odporúča, aby sa zabránilo vzniku škvrín od vody na riade a zlepšili sa výsledky sušenia.

- 1 Otvorte veko priehradky na leštiaci prostriedok nadvihnutím klapy.



- 2** Pridajte tekutý leštiaci prostriedok po čiaru maximálneho naplnenia. Leštiaci prostriedok by sa mal pri plnení usadiť v dávkovači. V opačnom prípade môžu mať vzduchové bubliny za následok slabé výsledky sušenia.



- 3** Zatvorte veko, aby ste dávkovač uzavreli. Leštiaci prostriedok bude dávkovaný automaticky počas posledného cyklu leštenia.

⚠ UPOZORNENIE

- Rozliaty leštiaci prostriedok utrite, aby sa zabránilo tvorbe peny.

POZNÁMKA

- Do spotrebiča používajte iba tekutý leštiaci prostriedok.
- Dávkovač leštiaceho prostriedku neprepínajte.
- Príliš veľa alebo príliš málo leštiaceho prostriedku môže zhoršovať výsledky sušenia.
- Ak leštiaci prostriedok vytečie z dávkovača, utrite ho. Inak sa môže vytvoriť priveľa peny a spôsobiť vznik škvŕn v umývačke riadu.

Nastavenie úrovne leštiaceho prostriedku

Dávkovač je vybavený piatimi úrovňami nastavenia. Predvolený program je úroveň leštiaceho prostriedku 2. Toto nastavenie môžete skontrolovať a zmeniť pomocou tlačidiel na ovládacom paneli.

- 1** Uistite sa, že je spotrebič vypnutý.

- 2** Súčasným stlačením tlačidiel **Výkon** a **Dual Zone (Duálna zóna)** skontrolujete aktuálne nastavenie.

- 3** Stlačením tlačidla **Delay Start (Odloženie štartu)** zmeníte nastavenie dávkovača leštiaceho prostriedku. Každé stlačenie tlačidla zmení nastavenie o jeden krok z L0 (vypnuté) na L4.

- 4** Po zvolení požadovaného dávkovača leštiaceho prostriedku stlačte **Start (Štart)**.
- Po uložení sa napájanie vypne.

⚠ UPOZORNENIE

- V prípade, že veko nie je správne zatvorené, do vnútornej časti umývačky sa uvoľní veľké množstvo leštiaceho prostriedku a spôsobí problémy s umývaním.

POZNÁMKA



- Ak je potrebné väčšie množstvo leštiaceho prostriedku, rozsvieti sa ikona **Doplňte leštiaci prostriedok** ✨.
- Ak si všimnete na sklenenom riade škvŕny, pruhy alebo stopy po umývaní, zvýšte nastavenú úroveň.
- Príliš vysoké nastavenie môže spôsobiť penenie, ktoré zhorší výsledky umývania.
- Ak sú sklenené riady matné alebo je na ich spodku prítomná pena, znížte nastavenie úrovne.
- Príliš nízke nastavenie leštiaceho prostriedku môže spôsobiť škvŕny a pruhy na riade a slabé výsledky sušenia.

Prevádzka – prehľad

Používanie spotrebiča

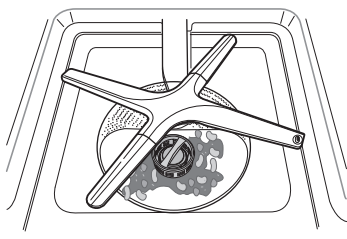
- 1** Stlačte tlačidlo **Výkon**.
- Zariadenie sa zapne. Skontrolujte indikátory.

2 Skontrolujte, či je prítomný leštiaci prostriedok a soľ do umývačky riadu.

- Ak sa rozsvietia príslušné ikony, doplňte leštiaci prostriedok a soľ. Viac informácií nájdete v časti **Doplňovanie**.
-  : Ikona Doplniť soľ
-  : Ikona Doplniť leštiaci prostriedok

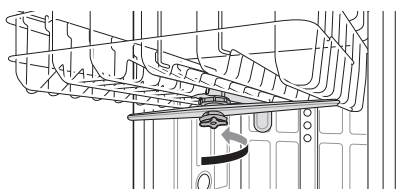
3 Otvorte dvierka a skontrolujte filtre.

- Filter vždy čistite buď po umytí, alebo pred umývaním, aby nedošlo k zhoršeniu výsledkov umývania.



4 Uistite sa, že sa ostrekovacie ramená môžu voľne otáčať.

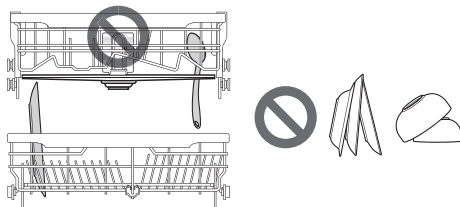
- Uistite sa, že sa horné ostrekovacie ramená a spodné ostrekovacie ramená dobre otáčajú. Ak sa ostrekovacie rameno neotáča, vyberte ho a vyčistite.



5 Vložte riad do koša.

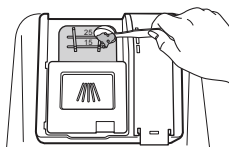
- Dbajte na to, aby žiadne nádoby ani náčinie nestáli v ceste ostrekovacím ramenám.

- Neumiestňujte riady na seba.



6 Pridajte do dávkovača správne množstvo čistiacieho prostriedku.

- Ak používate tablety, môžete ich jednoducho umiestniť priamo na spodnú časť vnútorného priestoru umývačky alebo na spodok vnútornej časti dverí.



7 Nastavte a spustite program.

- Program sa spustí automaticky do 4 sekúnd po zvolení akéhokoľvek nastavenia.

VAROVANIE

- Nevkladajte do horného koša žiadne predmety, keď je spodný kôš vytiahnutý a plný. V opačnom prípade môže dôjsť k poraneniu, pretože spotrebič by mohol byť nevyvážený a prevrhnúť sa.
- Horný kôš zatlačte úplne dozadu.
- Najskôr vyprázdňte spodný kôš a potom horný kôš. Zabráňte tak kvapkaniu vody z horného koša na riad pod ním.
- Počas prevádzky alebo bezprostredne po ukončení umývacieho cyklu dvierka neotvárajte, pretože pri otvorení dverí môže dôjsť k obareniu parou.

POZNÁMKA

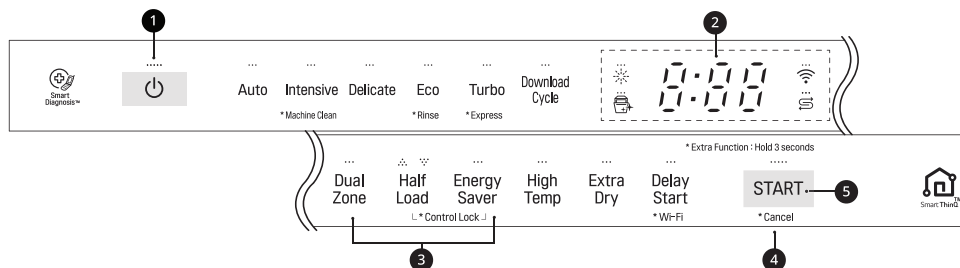
- Do spotrebiča nikdy nepridávajte tekutý čistiaci prostriedok.

- Pred použitím umývačky riadu sa neodporúča umývať riad ručne, pretože to zvyšuje spotrebu vody a energie.
 - Umývanie riadu v umývačke riadu pre domácnosť zvyčajne spotrebúva vo fáze používania menej energie a vody ako ručné umývanie riadu, keď sa umývačka riadu používa podľa pokynov výrobcu.
-

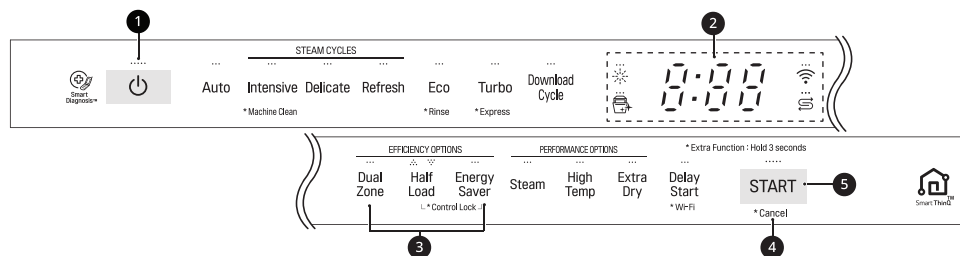
Ovládací panel

Ovládací panel – funkcie

Pre neparné modely



Pre parné modely






1 Výkon

- Stlačením tlačidla **Výkon** zapnete a vypnete napájanie.
- Po ukončení cyklu sa napájanie automaticky vypne z dôvodu bezpečnosti a hospodárnosti.
- Ak dôjde k prepätiu, výpadku napájania alebo k narušeniu iného typu, napájanie sa automaticky vypne z bezpečnostných dôvodov.
- Keď je napájanie opäť pripojené, automaticky sa zapne a cyklus sa obnoví.

2 Displej

- **8:88 : Digitálny displej**
 - Digitálny displej na ovládacom paneli zobrazuje ODHADOVANÝ čas cyklu. Po výbere cyklu a volieb sa na displeji zobrazí celkový odhadovaný čas na dokončenie zvolených nastavení. Počas prevádzky sa na displeji zobrazuje zostávajúci odhadovaný čas prevádzky.
 - Odhadovaný čas zobrazený na displeji nezahŕňa časy oneskorenia spôsobené ohrevom vody, atď.
 - Ak je vybraná možnosť **Delay Start (Odloženie štartu)**, na displeji sa zobrazí čas oneskorenia v hodinách.
 - Doba cyklu **Auto** sa môže líšiť v závislosti od úrovne znečistenia v umývanej dávke.
- **☀️: Ikona Leštiaci prostriedok**
 - Táto ikona sa rozsvieti, ak je hladina leštiaceho prostriedku nízka. LED kontrolka sa automaticky vypne po doplnení leštiaceho prostriedku alebo po nastavení úrovne 0.

-  : **Ikona Čistenie spotrebiča**
 - Táto ikona sa rozsvieti po každých 30 cykloch.
 - Ak chcete ikonu aktivovať alebo deaktivovať, stlačte tlačidlo **Delicate (Jemné)** na 3 sekundy.
-  : **Wi-Fi**
 - Keď je spotrebič pripojený k internetu prostredníctvom domácej siete Wi-Fi, rozsvieti sa táto ikona.
-  : **Ikona Doplniť soľ**
 - Táto ikona sa rozsvieti, keď je hladina soli nízka. Po doplnení soli sa LED kontrolka automaticky vypne.

3 Zvukové znamenie zapnuté/vypnuté

- Pre aktiváciu alebo deaktiváciu zvukov tlačidiel stlačte a podržte súčasne tlačidlá **Dual Zone (Duálna zóna)** a **Energy Saver (Šetrič energie)** počas 3 sekúnd. Zvukové upozornenia na chybu sa nedajú vypnúť.

4 Cancel (Zrušiť)

- Aktivuje sa vypúšťacie čerpadlo a cyklus sa zruší. Akonáhle spotrebič skončí s vypúšťaním, napájanie sa vypne.
- Stlačením a podržaním tlačidla **Start (Štart)** počas 3 sekúnd aktivujete funkciu zrušenia.

5 Start (Štart)

- Ak chcete spotrebič používať, zatvorte dvierka a stlačte tlačidlo **Start (Štart)**.
- Ak tlačidlo **Start (Štart)** nie je stlačené, aby bolo možné spustiť cyklus na 4 minúty, napájanie sa automaticky vypne.

Umývacie cykly

Auto

Tento cyklus sníma mieru znečistenia a čistotu vody a optimalizuje umývanie, aby sa dosiahlo čo najlepšie čistenie. Čas umývania sa môže líšiť v závislosti od úrovne znečistenia.

Intensive (Intenzívne)

Tento cyklus je určený pre silne znečistený riad a riad so zaschnutou špinou. Tento cyklus je predvolene nastavený na najsilnejšiu intenzitu ostrekovania a používa sa na umývanie silne znečisteného riadu.

Delicate (Jemné)

Tento cyklus použite na čistenie jemných predmetov, napríklad krehkého porcelánu alebo sklenených pohárov.

Refresh (Obnovenie)

Tento cyklus osviežuje a zahrieva riady, ktoré neboli dlho používané.

- Pri použití tohto cyklu nepoužívajte čistiaci prostriedok.

Eco

Zaisťuje najúčinnejšiu spotrebu energie a vody z hľadiska dobrého výsledku umývania a výsledku sušenia pri normálne znečistenej dávke, pretože využíva veľmi málo energie.

Turbo

Tento cyklus vyčistí mierne znečistené riady s použitím o trochu väčšieho množstva energie a vody.

- Štandardne je zapnutá možnosť **Extra Dry (Extra suché)**. Ak po umytí nechcete nechať riad sušiť, vypnite možnosť **Extra Dry (Extra suché)**. Bez sušenia riadu bude trvanie cyklu kratšie.

Download Cycle (Stiahnuť cyklus)

Použite vyhradený cyklus, ktorý si môžete stiahnuť prostredníctvom Wi-Fi alebo NFC (podľa modelu).

POZNÁMKA

- Na spotrebiči sa objaví iba kód cyklu pre aktuálne stiahnutý cyklus. Kódy cyklov, vrátane názvov a ďalších informácií o dostupných cykloch nájdete v aplikácii pre smartfóny.
 - Predvolený cyklus: P1. Hrnce a panvice

Machine Clean (Čistenie spotrebiča)

Tento cyklus slúži na čistenie vnútra spotrebiča. Cyklus používajte bez riadu. Odstraňuje zvyškové usadeniny, zápach, biele škvrny, vodný kameň a iné nečistoty. Pre efektívnejšie výsledky pridajte kyselinu citrónovú alebo iný čistiaci prostriedok.

- Na aktiváciu stlačte a podržte tlačidlo **Intensive (Intenzívne)** počas 3 sekúnd.

Rinse (Pláchanie)

Tento cyklus slúži na rýchle opláchnutie riadu, ktorý sa nebude okamžite umývať. Cyklus opláchnie riad s prebytočnými zvyškami jedla, aby namočil zaschnuté zvyšky. Opláchnutie riadu pomáha zabrániť zápachu v spotrebiči.

- Na aktiváciu stlačte a podržte tlačidlo **Eco** počas 3 sekúnd.

POZNÁMKA

- Pri tejto voľbe nepoužívajte čistiaci prostriedok.
- Súčasťou tohto cyklu nie je sušenie.

Express (Expresné)

Tento cyklus rýchlo vyčistí mierne znečistený riad.

- Na aktiváciu stlačte a podržte tlačidlo **Turbo** počas 3 sekúnd.

POZNÁMKA

- Súčasťou tohto cyklu nie je sušenie. Pre lepšie sušenie zvolte možnosť **Extra Dry (Extra suché)** alebo iný cyklus. **Extra Dry (Extra suché)** zvýši celkový čas cyklu.
- Pri cykle **Express (Expresné)** sa neodporúča používať čistiace tablety. Použitie čistiacich tabliet môže spôsobiť, že zvyšky čistiaceho prostriedku zostanú na riade v dôsledku relatívne nízkej teploty pri oplachovaní.

Možnosti a ďalšie funkcie

Zvoľte požadované tlačidlo cyklu a potom zvolte možnosti pre tento cyklus. Ďalšie informácie nájdete v časti **Sprievodca cyklami/možnosťami**.

Dual Zone (Duálna zóna)

Táto voľba automaticky nastaví intenzitu ostrekovania na slabú pre horné rameno a silnú pre spodné rameno. Aby ste dosiahli čo najlepšie výsledky, silne znečistené riady, ako sú taniere a misky, umiestnite do spodného koša a mierne znečistené riady, ako sú šálky a malé taniere, umiestnite do horného koša.

Half Load (Polovičná dávka)

Táto možnosť umýva intenzívne vďaka použitiu len horného alebo spodného koša. Pri malých dávkach použite len horný alebo spodný kôš, aby ste ušetrili energiu a čas. Stlačením tlačidla **Half Load**

(Polovičná dávka) sa zobrazia možnosti ∴ (Horný), ∴ (Spodný) a zrušenie tejto možnosti.

Energy Saver (Šetrič energie)

Táto možnosť šetrí energiu znížením teploty umývania a leštenia. Umývanie sa predĺži, aby sa udržali výsledky umývania. Nepoužívajte tento cyklus na silne znečistený riad.

Steam (Para)

Táto možnosť pridáva počas cyklu paru, aby sa zlepšili výsledky umývania.

High Temp (Vysoká teplota)

Zvýši teplotu hlavného umývania alebo leštenia, aby sa zlepšila čistota.

- Zaznie zvukové upozornenie, ktoré vás upozorní na prípadnú zvyškovú teplotu vo vnútri spotrebiča. Pred otvorením dvierok počkajte na úplné vychladnutie spotrebiča.

Extra Dry (Extra suché)

Pre lepšie výsledky sušenia zvolte túto možnosť. Táto možnosť pridá čas cyklu sušenia a zvýši teplotu pri horúcom leštení.

- V prípade, že je priehradka s leštiacim prostriedkom prázdna, táto možnosť sa zvolí automaticky.

Delay Start (Odloženie štartu)

Táto funkcia oneskoruje začiatok vybraného cyklu. Po každom stlačení tlačidla **Delay Start (Odloženie štartu)** sa čas oneskorenia zvýši o jednu hodinu. Čas oneskorenia je možné nastaviť od 1 do 12 hodín v krokoch po 1 hodine.

- Ak chcete zrušiť túto funkciu, vypnite spotrebič.
- Ak chcete zmeniť možnosti cyklu a cyklus, otvorte dvierka a potom vyberte iný cyklus a možnosti cyklu. Odpočítavanie bude pokračovať.

Control Lock (Ovládací zámok)

Táto funkcia pomáha zabrániť zmenám nastavení počas cyklu. Výberom tejto funkcie sa uzamknú všetky tlačidlá okrem tlačidla **Výkon** na ovládacom paneli. Táto funkcia nezablokuje dvere.

- Pri modeloch s externým displejom, keď je cyklus spustený, stlačte a podržte súčasne tlačidlá **Half Load (Polovičná dávka)** a **Energy Saver (Šetrič energie)** na 3 sekundy, aby ste túto funkciu aktivovali alebo deaktivovali. Pri modeloch so skrytým displejom otvorte dvere počas prevádzky a postupujte podľa rovnakých pokynov.
- Ak je táto funkcia aktivovaná, na displeji sa zobrazí kód CL.
- Ak chcete spustiť nový cyklus, vypnite túto funkciu.
- Túto funkciu môžete nastaviť kedykoľvek zapnutím spotrebiča.

Wi-Fi

Stlačením a podržaním tlačidla **Delay Start (Odloženie štartu)** počas 3 sekúnd sa pripojíte k sieti. Podrobné informácie o tejto funkcii nájdete v častiach **INTELIGENTNÉ FUNKCIE**.

Automatické otvorenie pri sušení

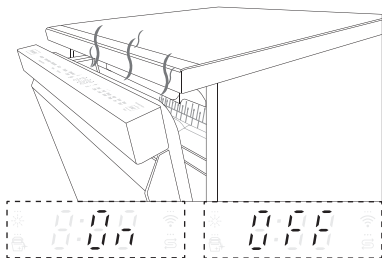
Tento prvok sa môže líšiť v závislosti od zakúpených modelov.

Na konci programu, ktorý zahŕňa sušenie, sa dvere automaticky otvoria, aby sa zlepšili výsledky sušenia.

- Ak chcete túto funkciu aktivovať alebo deaktivovať, stlačte a podržte súčasne tlačidlá **Energy Saver (Šetrič energie)** a **High Temp (Vysoká teplota)** počas 3 sekúnd.
- Táto funkcia nie je k dispozícii, keď je zvolený cyklus **Machine Clean (Čistenie spotrebiča)** a **Rinse (Leštenie)**.
- Ak zvolíte možnosť **Download Cycle (Stiahnuť cyklus)**, táto funkcia môže bežať, aj keď je deaktivovaná. Funkcia **Download Cycle (Stiahnuť cyklus)** je navrhnutá tak, aby

dosahovala najlepšie výsledky v konkrétnom prípade bez ohľadu na nastavenia zariadenia.

- Na displeji sa zobrazí, či je táto funkcia zapnutá alebo vypnutá.



Zelená (vpravo)

Po dokončení cyklu sa rozsvieti zelená kontrolka. Keď sú dvierka otvorené, kontrolka zhasne.

- Ak spotrebič nezistí, že boli otvorené dvierka, kontrolka sa po 90 sekundách vypne.

⚠ VROVAVIE

- Počas prevádzky spotrebiča udržiavajte deti mimo dosahu spotrebiča. Kontakt s parou a vysokou teplotou môže spôsobiť oparenie alebo popáleniny.
-

Signalight™

Tento prvok sa môže líšiť v závislosti od zakúpených modelov.

Signalight™ zobrazuje stav spotrebiča, či sa vyskytol problém, či funguje normálne alebo či je pripravený na umývanie riadu.

- V závislosti od modelu môže byť kontrolka umiestnená buď na prednej strane spotrebiča alebo na vrchu dvierok.

Červená (vľavo)

Ak sa na spotrebiči vyskytne chyba, rozsvieti sa červená kontrolka. Ďalšie informácie o chybe nájdete v časti **Chybový kód** v časti **RIEŠENIE PROBLÉMOV**.

Biela (v strede)

Pri výbere voľiteľného cyklu alebo pri pozastavení cyklu sa rozsvieti biela kontrolka.

- Keď je cyklus spustený, rozsvieti sa biela kontrolka.

Tabuľka programov

Programátor

Na modeloch DF425***

Program	Úroveň znečistenia	Umývanie		Rinse (Pláchanie)		Sušiť
		Pre-wash (Predpiečka)	Hlavné umývanie	Rinse (Pláchanie)	Horúce leštenie	
Auto	Všetky úrovne	●	● (65 - 70 °C)	●	● (62 °C) ^{*1} (70 °C) ^{*2}	●
Intensive (Intenzívne)	Silné	●	● (75 °C)	●	● (62 °C) ^{*1} (70 °C) ^{*2}	●
Delicate (Jemné)	Slabé	●	● (55 °C)	●	● (62 °C) ^{*1} (70 °C) ^{*2}	●
Refresh (Obnovenie) ^{*1}		●		●	● (62 °C) ^{*1} (75 °C) ^{*2}	●
Eco	Stredné	●	● (46 °C) ^{*1} (42 °C) ^{*2}	●	● (54 °C) ^{*1} (64 °C) ^{*2}	●
Turbo	Stredné	●	● (65 °C)	●	● (62 °C) ^{*1} (65 °C) ^{*2}	
Express (Expressné)	Slabé	●	● (45 °C)	●	● (62 °C) ^{*1} (60 °C) ^{*2}	
Rinse (Leštenie)	Slabé			●		
Machine Clean (Čistenie spotrebiča)		●	● (50 °C)	●	● (70 °C)	●

*1 Funkcia **Automatické otvorenie pri sušení** je zapnutá.

*2 Funkcia **Automatické otvorenie pri sušení** je vypnutá.

POZNÁMKA

- Čas chodu sa môže líšiť v závislosti od teploty vody, teploty okolia, tlaku vody a napätia.
 - Informácia, že hodnoty uvedené pre iné programy než program eco sú iba orientačné.
 - Keď je aktivovaná funkcia **Automatické otvorenie pri sušení**, teplota pri horúcom leštení môže byť odlišná.
-

Na modeloch DF325*** / DF325**

Program	Úroveň znečistenia	Umývanie		Rinse (Pláchanie)		Sušiť
		Pre-wash (Predpieračka)	Hlavné umývanie	Rinse (Pláchanie)	Horúce leštenie	
Auto	Všetky úrovne	●	● (65 - 70 °C)	●	● (70 °C)	●
Intensive (Intenzívne)	Silné	●	● (75 °C)	●	● (70 °C)	●
Delicate (Jemné)	Slabé	●	● (55 °C)	●	● (70 °C)	●
Refresh (Obnovenie)*1		●		●	● (75 °C)	●
Eco	Stredné	●	● (42 °C)	●	● (64 °C)	●
Turbo	Stredné	●	● (65 °C)	●	● (65 °C)	
Express (Expresné)	Slabé	●	● (45 °C)	●	● (60 °C)	
Rinse (Leštenie)	Slabé			●		
Machine Clean (Čistenie spotrebiča)		●	● (50 °C)	●	● (70 °C)	●

*1 Pre parné modely

POZNÁMKA

- Čas chodu sa môže líšiť v závislosti od teploty vody, teploty okolia, tlaku vody a napätia.
- Informácia, že hodnoty uvedené pre iné programy než program eco sú iba orientačné.

Nariadenie pre Európu (Na modeloch DF425***)

Program	Spotreba vody*1	Spotreba energie (kWh)*1	Trvanie (min)*1
Auto	12,9	0,91 - 0,97	162
Intensive (Intenzívne)	23,1	1,60	185
Delicate (Jemné)	16,5	1,07	124
Eco	9,5	0,85	193
Refresh (Obnovenie)	10,0	0,76	120
Turbo	18,5	0,84	78
Express (Expresné)	9,6	0,58	56
Rinse (Leštenie)	6,6	0,01	18
Machine Clean (Čistenie spotrebiča)	12	0,78	83

*1 Funkcia **Automatické otvorenie pri sušení** je zapnutá.

POZNÁMKA

- Uvedené údaje sa môžu líšiť v závislosti od podmienok.
-

Nariadenie pre Európu (Na modeloch DF325*** / DF325**)

Program	Spotreba vody	Spotreba energie (kWh)	Trvanie (min)
Auto	13,1	1,08 - 1,17	195
Intensive (Intenzívne)	23,9	1,76	185
Delicate (Jemné)	16,8	1,14	124
Eco	9,5	0,95	228
Refresh (Obnovenie)*1	9,8	0,78	66
Turbo	18,8	0,87	59
Express (Expresné)	12,4	0,61	38
Rinse (Leštenie)	6,5	0,01	18
Machine Clean (Čistenie spotrebiča)	12,1	0,75	83

*1 Pre parné modely

POZNÁMKA

- Uvedené údaje sa môžu líšiť v závislosti od podmienok.

POZNÁMKA

- Nariadenie EÚ 2019/2022, platné od 1. marca 2021, sa týka tried energetickej účinnosti podľa nariadenia EÚ 2019/2017.
- Naskenujte QR kód na energetickom štítku dodanom so spotrebičom, ktorý poskytuje webový odkaz na informácie týkajúce sa výkonu spotrebiča v databáze EÚ EPREL. Energetický štítok uschovajte pre použitie v budúcnosti spolu s návodom na použitie a všetkou ostatnou dokumentáciou dodanou so spotrebičom.
- Názov modelu je uvedený na výrobnom štítku spotrebiča. Otvorte dvere a pozrite sa na pravú stranu dverí.
- Ak chcete nájsť tie isté informácie v databáze EPREL, navštívte stránku <https://eprel.ec.europa.eu> a vyhľadajte podľa názvu modelu. (Platné od 1. marca 2021)

Dostupné možnosti

POZNÁMKA

- Možnosť **Energy Saver (Šetrič energie)** nie je k dispozícii s možnosťou **High Temp (Vysoká teplota)** alebo **Extra Dry (Extra suché)**.
- Možnosť **Delay Start (Odloženie štartu)** je možné zvoliť pre každý program umývania v tejto tabuľke.

Pre neparné modely

Program	Dual Zone (Duálna zóna)	Half Load (Polovičná dávka)	Energy Saver (Šetrič energie)	High Temp (Vysoká teplota)	Extra Dry (Extra suché)
Auto	●	●	●	●	●
Intensive (Intenzívne)	●	●		●	●
Delicate (Jemné)		●	●		●
Eco	●	●	●	●	●
Turbo	●			●	●
Express (Expresné)	●			●	●
Rinse (Leštenie)					
Machine Clean (Čistenie spotrebiča)					
Download Cycle (Stiahnuť cyklus)					

Pre parné modely

Program	Dual Zone (Duálna zóna)	Half Load (Polovičná dávka)	Energy Saver (Šetrič energie)	Steam (Para)	High Temp (Vysoká teplota)	Extra Dry (Extra suché)
Auto	●	●	●	●	●	●
Intensive (Intenzívne)	●	●		●	●	●
Delicate (Jemné)		●	●	●		●
Refresh (Obnovenie)				●		●
Eco	●	●	●	●	●	●
Turbo	●			●	●	●
Express (Expresné)	●				●	●
Rinse (Leštenie)						
Machine Clean (Čistenie spotrebiča)						
Download Cycle (Stiahnuť cyklus)						

Informácie pre test

Pre modely s funkciou Automatické otvorenie pri sušení

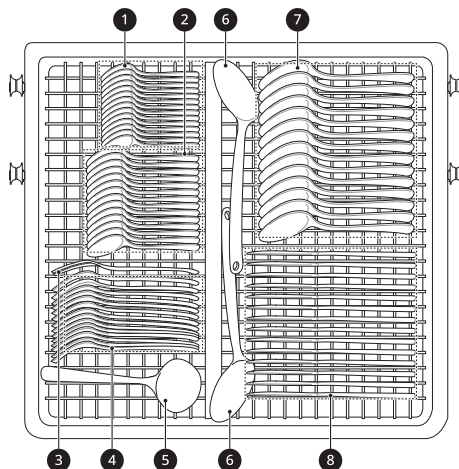
- Kapacita: 14 jedálenských súprav
- Porovnávací program: **Eco**
- Nastavenie leštiaceho prostriedku: L4
- Referenčný čistiaci prostriedok: 22 g saponátu do dávkovača vo vnútri.
- Výškovo nastaviteľná U poloha koša: Stred
- Nastavenie **Automatické otvorenie pri sušení**: Zapnuté
- Typ filtra: manuálny

Pre modely bez funkcie automatického otvorenia pri sušení

- Kapacita: 14 jedálenských súprav
- Porovnávací program: **Eco**
- Nastavenie leštiaceho prostriedku: L4
- Referenčný čistiaci prostriedok: 22 g saponátu do dávkovača vo vnútri.
- Výškovo nastaviteľná U poloha koša: Stred
- Typ filtra: manuálny

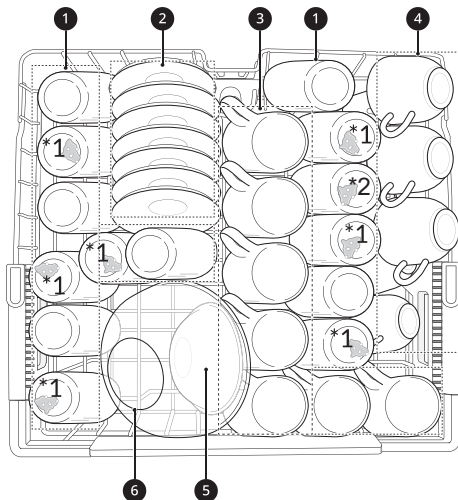
Vloženie riadov

Košík na príbory



- 1 Čajové lyžičky (Bez znečistenia)
- 2 Dezertné lyžičky (Bez znečistenia)
- 3 Servírovacia vidlička (Bez znečistenia)
- 4 Vidličky (Vajcia)
- 5 Naberačka na štavu z mäsa (Bez znečistenia)
- 6 Servírovacie lyžice (Bez znečistenia)
- 7 Polievkové lyžice (Ovsené vločky)
 - Každá druhá polievková lyžica je znečistená.
- 8 Nože (Bez znečistenia)

Horný kôš



1 Poháre (Mlieko)

*1 Je tam 7 pohárov znečistených mliekom.

*2 Pohár na mlieko podľa EN60704-2-3: 2020

2 Podšálky (Čierny čaj)

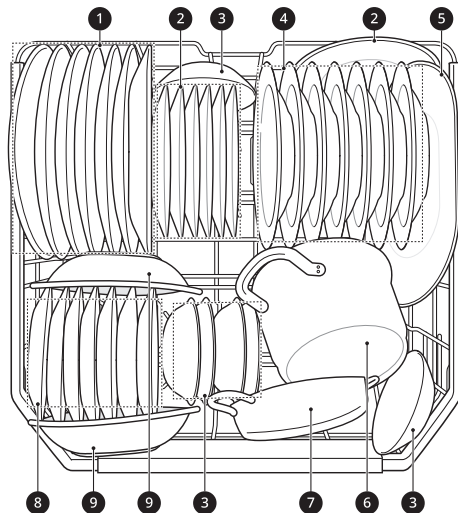
3 Hrnčeky (Čierny čaj)

4 Šálky (Čierny čaj)

5 Dezertná misa (Ovsené vločky)

6 Sklenená misa (Mäso)

Spodný kôš



1 Veľké tanierie (Vajcia)

2 Melamínové dezertné tanieriky (Vajcia)

3 Dezertné misky (Ovsené vločky)

4 Polievkové tanierie (Ovsené vločky)

5 Oválny podnos (Mäso)

6 Malý hrniec (Špenát + margarín)

7 Hrniec do rúry (Mäso)

8 Dezertné tanieriky (Špenát)

9 Melamínové misky (Margarín)

Vkladanie riadu do umývačky

Aby ste zaistili efektívne výsledky umývania, vždy dodržiavajte pokyny.

- Pred vložením riadu do umývačky odstráňte zvyšky jedál z tanierov, vrátane kostí, atď. Ak sa riad nebude umývať hneď, tanierie pred vložením do umývačky opláchnite.
- Pred vložením do umývačky riadu by ste mali pripálené nádoby nechať odmočiť.
- Hlboký riad umiestňujte hore nohami.

- Plastový riad v porovnaní s ostatným riadom nebude schnúť dobre.
- Uistite sa, že sa riady navzájom nedotýkajú.



Riady, ktoré nie sú vhodné do umývačky riadu

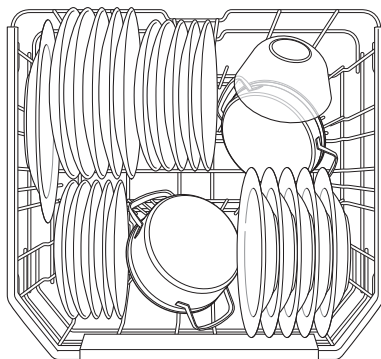
Kombinácia vysokej teploty vody a čistiacich prostriedkov môže niektoré typy riadov poškodiť. Neumývajte nasledujúce predmety.

- Meď alebo eloxovaný hliník
- Porcelán s ručne maľovanými striebornými alebo zlatými ozdobami
- Drevené náčinie alebo náčinie s kostenou rúčkou
- Železné alebo nehrdzavejúce riady
- Plastové nádoby nevhodné do umývačky riadu
- Drahý riad, napríklad riad so strieborným a zlatým lemom
- Krehké predmety, ako krištáľové poháre

⚠ UPOZORNENIE

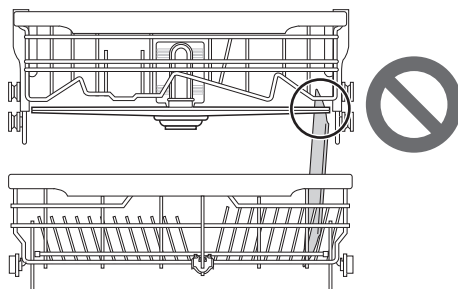
- Neumiestňujte do spotrebiča hrnce alebo panvice s plastovými držadlami, pretože stav držiadiel sa môže zhoršiť vplyvom tepla a čistiaceho prostriedku.
- Vodotesné alebo dlhotrvajúce rúže rozmazané na pohároch sa nemusia počas umývania odstrániť.

Ak si chcete uľahčiť vkladanie väčších nádob, je možné sklopiť predný rad zubov.



⚠ UPOZORNENIE

- Ostrekovacie ramená nesmú byť upchaté riadmi, ktoré sú príliš vysoké alebo visia z košov. Možnosť voľného pohybu vyskúšajte ručným otočením ostrekovacích ramien.



Vloženie do spodného koša

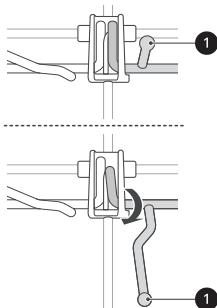
Denná dávka

Spodný kôš je vhodný na veľké taniere, polievkové misky, nádoby, hrnce, panvice, pokrievky a dokonca aj grilovaciu mriežku.

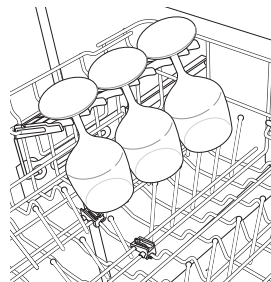
Taniere by mali byť umiestnené vzpriamene a otočené smerom k stredu koša a hrnce, panvice a veľké riady musia byť otočené hore nohami.

Sklopenie zubov koša

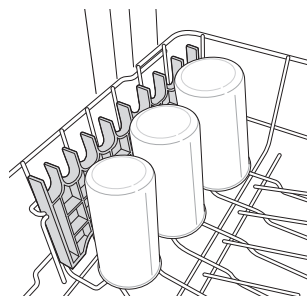
Zuby koša sklopte dole, aby sa dnu zmestili väčšie nádoby. Ak chcete vložiť menšie nádoby zuby vráťte späť.



Stojany na poháre poskytujú podporu pre poháre s dlhou stopkou.



Ľavá strana radu zubov sa dá sklopiť smerom dole, prípadne sa stojany na poháre dajú vybrať von, aby ste mohli uložiť vysoké riady.



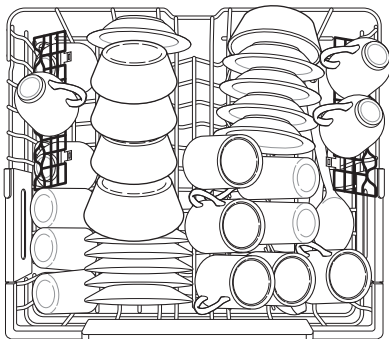
Vloženie do horného koša

Denná dávka

Horný koš je vhodný na jemné riady, ako sú malé taniere, dlhé príbory, šálky, poháre a plastové nádoby.

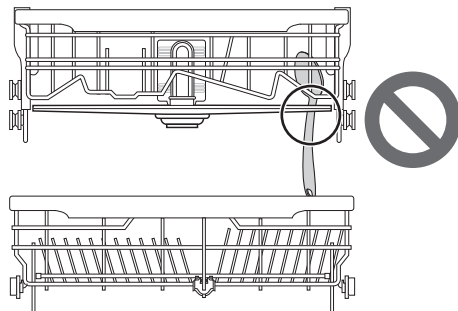
Hrnčeky, sklenené poháre a misky musia byť umiestnené hore nohami.

Taniere by mali byť umiestnené vzpriamene.



⚠ UPOZORNENIE

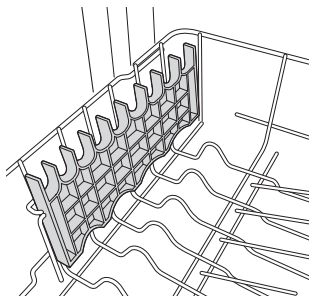
- Ostrekovacie ramená nesmú byť upchaté riadmi, ktoré sú príliš vysoké alebo visia z košov. Možnosť voľného pohybu vyskúšajte ručným otočením ostrekovacích ramien.



Vybratie a výmena stojanov na poháre

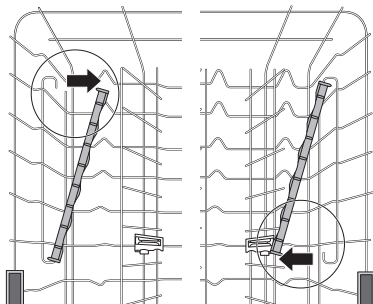
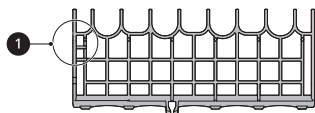
Ľavý a pravý stojan na poháre sú zameniteľné a dajú sa vybrať.

- 1 Posuňte stojan na poháre smerom nadol do zatvorenej polohy.

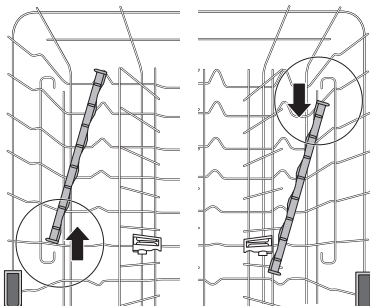


- 2 Umiestnite montážny otvor ❶ na stojan na poháre a pevne vyklopte stojan na opierku na tejto strane.

- Stojan na ľavej strane sa uvoľňuje smerom dozadu. Stojan na pravej strane sa uvoľňuje smerom dopredu.



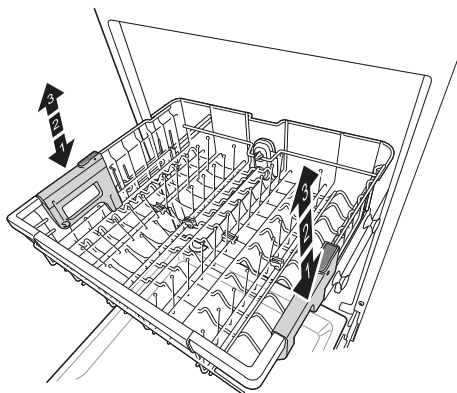
- 3 Posuňte stojan na poháre z opornej tyče na opačnú stranu.



- 4 Stojan na poháre vrátite, ak budete postupovať podľa pokynov v opačnom poradí.

Nastaviteľná výška horného koša

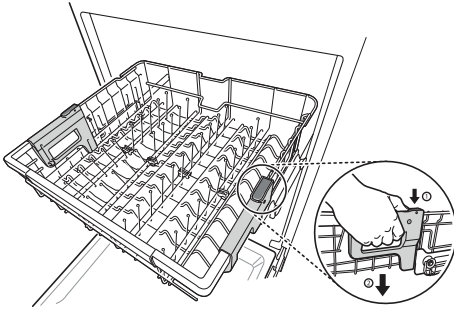
Výška horného koša sa dá nastaviť, ak potrebujete vložiť poháre s dlhými stopkami alebo vysoké riady. Na nastavenie výšky horného koša, aby ste získali väčší priestor, sú k dispozícii tri polohy.



Zníženie koša

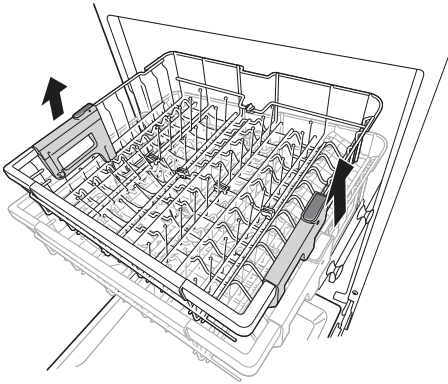
Držte koš v strede každej strany tak, aby ste udržali jeho hmotnosť. Potom stlačte tlačidlo na každej

strane, aby ste uvoľnili kôš a spustili ho do nižšej polohy.



Zvýšenie koša

Zdvihnite kôš v strede každej strany, až kým nebude nezaistený na svojom mieste v hornej polohe. K zdvihnutiu koša nie je potrebné zdvíhať blokovacie páčky.



Možné rozmery tanierov podľa polohy horného koša

Poloha horného koša	Rozmer tanierov (mm)		
	Horný kôš		Spodný kôš
	so stojanom na príbory	bez stojana na príbory	
Horná	165	215	300
Stredná	193	243	272

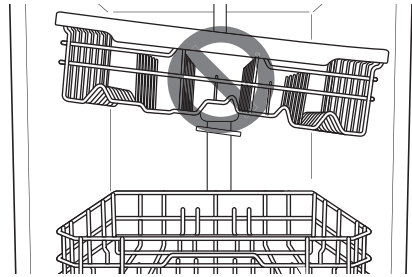
Poloha horného koša	Rozmer tanierov (mm)		
	Horný kôš		Spodný kôš
	so stojanom na príbory	bez stojana na príbory	
Spodná	221	271	244

VAROVANIE

- Pred nastavením skontrolujte, či v koši nie sú žiadne riady. V opačnom prípade môže dôjsť k poškodeniu riadu alebo k poraneniu.

POZNÁMKA

- Nadvihnite horný kôš bez toho, aby ste stlačili tlačidlá po stranách. Stlačenie tlačidiel pri zdvíhaní koša zabráni tomu, aby kôš zacvakol vo svojej polohe.
- Ak chcete nastaviť kôš do strednej polohy, môže byť jednoduchšie spustiť kôš úplne nadol a potom zdvihnúť každú stranu koša jednotlivo, kým nezacvakne na svoje miesto.



- Keď sa horný kôš presunie do spodnej polohy, jeho výška je 56 mm.
- Po nastavení úrovne koša skontrolujte, či sa ostrekovacie ramená môžu voľne otáčať.
- Pri spodnej polohe horného koša skontrolujte, či spodná časť horného koša, vrátane ostrekovacieho ramena, nezasahuje do spodného koša.
- Keď je horný kôš v spodnej polohe, najprv zasuňte horný kôš a až potom spodný kôš.
- Obdobne, najskôr vyťahnite spodný kôš a až potom horný kôš.

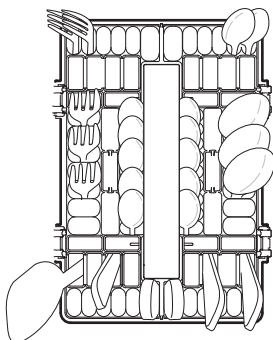
POZNÁMKA

- Keď je horný kôš v spodnej polohe, možná výška riadu sa líši podľa modelu, či je alebo nie je namontovaný stojan na príbory.

Vloženie do košíka na príbory**Denná dávka**

V prípade väčších kusov náčinia, ako sú ťlahacie metly, je možné kryt otvoriť vyklopením.

Umiestnite vidličky a lyžice do košíka na príbory s rukoväťou nadol.

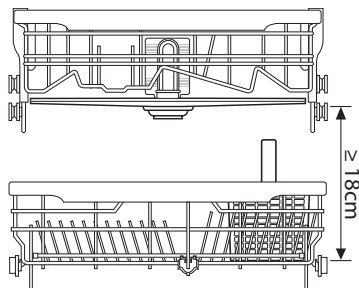
**VAROVANIE**

- Aby ste predišli zraneniam, umiestnite nože a iné náčinie s ostrými hrotmi do košíka na príbory.
- Ak ich chcete vložiť do košíka na príbory, umiestnite ich tak, aby ostré hroty smerovali nadol.

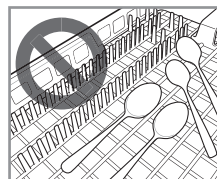
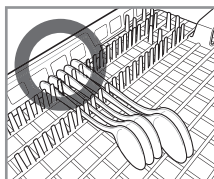
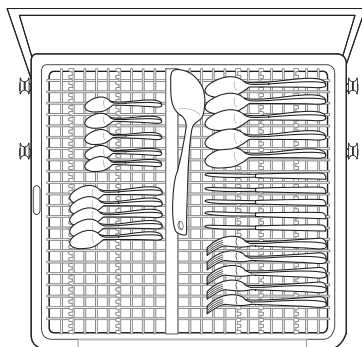
UPOZORNENIE

- Nebráňte otáčaniu ostrekovacích ramien.

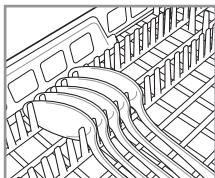
- Príbory by nemali byť dlhšie ako 18 cm.

**Vloženie do stojana na príbory**

Stojan na príbory je najvhodnejšie použiť na príbory a väčšinu náčinia určeného na varenie alebo servírovanie. Môžete ho tiež použiť na malé misky a veká. Prepážky na stojane na príbory pomáhajú oddeliť náčinie tak, aby nedošlo k jeho poškodeniu a zlepšilo sa čistenie.

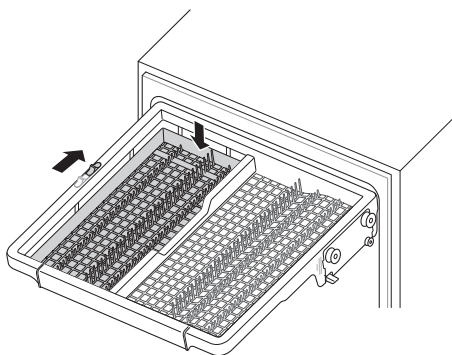


Ak sú rukoväte príborov príliš hrubé, potom ich otočte tak, aby smerovali opačným smerom.



Výškovo nastaviteľný regál

Regál na ľavej strane môže byť nastavený do vysokej alebo nízkej polohy, aby sa do neho zmestili nádoby alebo príbory rôznych veľkostí. Pred nastavením regálu vyberte riad. Posunutím páčky nastavte regál.

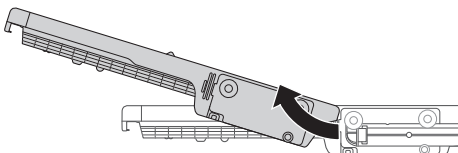


Vybratie stojana na príbory

Ak potrebujete v hornom koši viac priestoru na väčšie predmety, je možné vybrať celý stojan na príbory.

Stojan na príbory vždy vyberte pred vytiahnutím celého koša.

Vytiahnite kôš na koniec vodiacich koľajníc. Potom nadvihnite prednú časť koša tak, aby valčeky zastali na konci vodiacich koľajníc. Teraz môžete kôš potiahnuť smerom dopredu a vybrať ho z koľajníc.



VAROVANIE

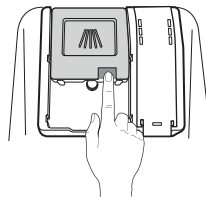
- Pri vkladaní a vykladaní predmetov s ostrými hranami buďte opatrní. Ostré nože vkladajte tak, aby ste znížili riziko poranenia.

Pridanie čistiacich prostriedkov

Pridanie čistiaceho prostriedku do dávkovača

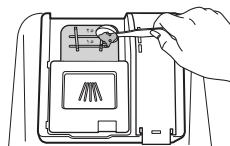
- Pred prvým uvedením spotrebiča do prevádzky odstráňte štítok na dávkovači.
- Potrebné množstvo čistiaceho prostriedku závisí od cyklu, veľkosti dávky a miery znečistenia.
- Pred spustením akéhokoľvek cyklu, okrem cyklu **Rinse (Leštenie)**, vložte čistiaci prostriedok do priehradky na čistiaci prostriedok.

- 1 Kryt otvoríte stlačením tlačidla na veku dávkovača.

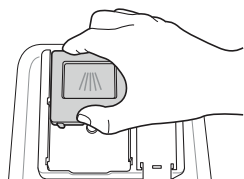


- 2 Do priehradky na hlavné umývanie pridajte čistiaci prostriedok, až kým sa úroveň nenachádza medzi čiarami označenými 15 a 25.

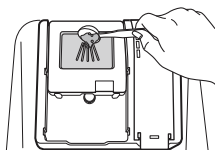
- V prípade tvrdej vody alebo silne znečisteného riadu naplňte prostriedok po čiaru 25.
- V prípade mäkkej vody alebo slabo znečisteného riadu naplňte prostriedok po čiaru 15.



- 3** Zatláčte veko priehradky na čistiaci prostriedok, aby sa veko zatvorilo tak, že zacvakne.



- 4** Ak je potrebné predumývanie, naplňte pripojenú priehradku na predumývanie, ktorá sa nachádza na veku priehradky s čistiacim prostriedkom.



Program	Množstvo čistiaceho prostriedku
	Hlavné umývanie (dávka)
Auto	20 g
Intensive (Intenzívne)	20 g
Delicate (Jemné)	20 g
Refresh (Obnovenie)	-
Eco	22 g
Turbo	20 g
Download Cycle (Stiahnuť cyklus)	20 g
Machine Clean (Čistenie spotrebiča)	20 g
Rinse (Leštenie)	-
Express (Expresné)	20 g

VAROVANIE

- Prostriedok na umývanie riadu a leštiaci prostriedok obsahujú chemické zložky, rovnako ako všetky ostatné čistiace prostriedky do domácnosti. Preto musia byť uchovávané mimo dosahu detí.

UPOZORNENIE

- Používajte iba čistiaci prostriedok určený pre umývačky riadu. Nesprávny čistiaci prostriedok môže spôsobiť, že sa spotrebič počas prevádzky naplní penou. Nadmerná penivosť môže zhoršiť výsledky umývania a môže spôsobiť únik vody zo spotrebiča.
- Aby ste predišli poškodeniu spotrebiča, neťahajte pri zatváraní dverok spotrebiča za dávkovač.



- Použitie nevhodného čistiaceho a leštiaceho prostriedku môže viesť k riziku poškodenia, korózie, slabým výsledkom umývania, zlému sušeniu alebo úniku vody.
- Používajte iba čistiace a leštiace prostriedky, ktoré boli stanovené ako štandardné. Použitie iných čistiacich a leštiacich prostriedkov môže predstavovať riziko poškodenia, korózie, slabých výsledkov umývania, zlého sušenia a úniku vody.
- Ak použijete priveľa čistiaceho prostriedku, môže dôjsť k vytvoreniu veľkého množstva peny. To môže spôsobiť únik peny a škvrny na riade v umývačke riadu.

POZNÁMKA

- Príliš veľa čistiaceho prostriedku môže zanechať na riade a vo vnútornej časti umývačky riadu film a viesť k slabým výsledkom umývania.
- Po umytí skontrolujte, či bol čistiaci prostriedok úplne vymytý.


- Niektoré tablety do umývačiek riadu môžu uviaznuť v dávkovači kvôli nadmernej veľkosti. Tablety preto môžete pred začatím cyklu umiestniť na spodnú časť vnútorného priestoru umývačky riadu vedľa filtra.
- Do spotrebiča nikdy nepridávajte tekutý čistiaci prostriedok.
- Pri cykle **Express (Expressné)** sa neodporúča používať čistiace tablety. Použitie čistiacich tabliet môže spôsobiť, že zvyšky čistiaceho prostriedku zostanú na riade v dôsledku relatívne nízkej teploty pri oplachovaní.

Doplňovanie

Aby ste zachovali efektívne výsledky sušenia, pravidelne kontrolujte a doplňajte leštiaci prostriedok.


Aby ste zachovali efektívne výsledky umývania, pravidelne kontrolujte a doplňajte soľ do umývačky riadu.

Kontrola leštiaceho prostriedku

Keď sa rozsvieti ikona Doplniť leštiaci prostriedok , znamená to, že priehradka na leštiaci prostriedok je takmer prázdna. Ak je to potrebné, doplňte priehradku na leštiaci prostriedok.

Kontrola soli do umývačky riadu

Po doplnení soli do umývačky riadu by ste mali použiť program na umývanie, ale bez riadu, pretože soľ rozsypaná vo vnútri spotrebiča môže spôsobiť koróziu alebo poškodenie spotrebiča, ak by ste ho nechali neumytý.

Keď sa rozsvieti ikona Doplniť soľ , znamená to, že priehradka na soľ je takmer prázdna. V prípade potreby doplňte priehradku na soľ.

UPOZORNENIE

- Do priehradky na zmäkčovač vody nepridávajte žiadny čistiaci prostriedok ani iný roztok okrem soli do umývačky. V opačnom prípade dôjde k poruche systému zmäkčovania vody.

Užitočné tipy

Sušenie

- Plastové predmety môžu v porovnaní s inými predmetmi spôsobiť slabé výsledky sušenia.
- Aby ste uľahčili sušenie, môžete po cykle na chvíľu otvoriť dvere.

POZNÁMKA

- Uistite sa, že sa riady navzájom nedotýkajú.
- Ak výsledky sušenia nie sú dobré alebo ak na riade zostávajú škvrny od vody, pridajte možnosť **Extra Dry (Extra suché)** alebo nastavte úroveň leštenia.
- Ak používate typ tabliet (2 v 1, 3 v 1) s čistiacim prostriedkom, môže byť potrebné pridať dodatočné leštenie v závislosti od objemu riadu, v tomto prípade použite voľbu **Extra Dry (Extra suché)** alebo nastavte úroveň leštenia.

Vyloženie umývačky riadu

- Pred vyložením riadu skontrolujte, či riady vychladli natoľko, že ich je možné vybrať rukami.
- Najskôr vyprázdňte spodný kôš a potom horný kôš. Zabráňte tak kvapkaniu vody z horného koša na riad pod ním.

VAROVANIE

- Nevyťahujte oba plne naložené koše súčasne, spotrebič by sa mohol prevrátiť. Vykladajte koše po jednom.

INTELIGENTNÉ FUNKCIE

Aplikácia LG ThinQ

Aplikácia **LG ThinQ** umožňuje komunikovať so zariadením pomocou smartfónu.

Funkcie aplikácie LG ThinQ

So zariadením komunikujte pomocou smartfónu, použitím príslušných funkcií.

Monitoring

Táto funkcia kontroluje aktuálny stav, cyklus, dobu spustených možností a čas ukončenia cyklu v aplikácii na jednej obrazovke.

Download Cycle (Stiahnuť cyklus)

Do spotrebiča si môžete stiahnuť nové a špeciálne cykly, ktoré nie sú súčasťou základných cyklov.

Na spotrebiče, ktoré sú úspešne zaregistrované, môžete stiahnuť rôzne špeciálne cykly špecifické pre daný spotrebič.

Súčasne môže byť v spotrebiči uložený len jeden cyklus.

Po skončení sťahovania cyklu do spotrebiča sa stiahnutý cyklus uchová v spotrebiči dovtedy, kým sa nestiahne nový cyklus.

Pripomienka čistenia spotrebiča

Táto funkcia ukazuje, koľko cyklov ostáva do doby, keď bude potrebné spustiť cyklus **Machine Clean (Čistenie spotrebiča)**.

Smart Diagnosis

Táto funkcia poskytuje užitočné informácie na diagnostikovanie a riešenie problémov s práčkou na základe informácií o jej používaní.

Nastavenia

Umožňuje vám nastaviť rozličné možnosti priamo na spotrebiči a v aplikácii.

Odosielanie upozornení

Po dokončení cyklu alebo pri problémoch so spotrebičom máte na smartfóne možnosť prijímať vyskakovacie oznámenia. Oznámenia sa spustia, aj keď je aplikácia **LG ThinQ** vypnutá.

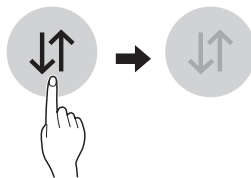
POZNÁMKA

- Ak zmeníte váš bezdrôtový smerovač, poskytovateľa internetových služieb alebo heslo z aplikácie **LG ThinQ**, zmažte registrovaný spotrebič a tento zaregistrujte znovu.
- Aplikácia môže byť kvôli vylepšeniu spotrebiča menená aj bez oznámenia používateľovi.
- Vlastnosti spotrebiča sa môžu u rôznych modelov líšiť.

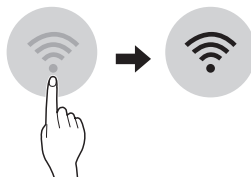
Pred použitím aplikácie LG ThinQ

- 1 Skontrolujte vzdialenosť medzi spotrebičom a bezdrôtovým smerovačom (sieť Wi-Fi).
 - Ak je vzdialenosť medzi spotrebičom a bezdrôtovým smerovačom príliš veľká, sila signálu je slabá. V tomto prípade môže registrácia trvať dlho alebo inštalácia zlyhá.


- 2 Vypnite **Mobilné dátana** svojom smartfóne.



- 3 Pripojte váš smartfón k bezdrôtovému smerovaču.



POZNÁMKA

- Ak chcete overiť pripojenie k sieti Wi-Fi skontrolujte, či na ovládacom paneli svieti ikona .
- Tento spotrebič podporuje len 2,4 GHz sieť Wi-Fi. Ak chcete skontrolovať sieťovú frekvenciu, obráťte sa na poskytovateľa internetových služieb alebo na príručku k bezdrôtovému smerovaču.
- **LG ThinQ** nenesie zodpovednosť za akékoľvek problémy s pripojením k sieti alebo za akékoľvek chyby, poruchy alebo chyby spôsobené pripojením k sieti.
- Ak má zariadenie problémy s pripojením k sieti WiFi, možno je príliš ďaleko od routera. Ak chcete zosilniť signál siete WiFi, kúpte si predlžovač dosahu WiFi signálu.
- Spojenie so sieťou WiFi sa nemusí nadviazať alebo môže byť prerušované kvôli sieťovému okoliu v domácnosti.
- Pripojenie k sieti môže byť chybné kvôli poskytovateľovi internetových služieb.
- Spomaľovať službu bezdrôtovej siete môže aj prostredie bezdrôtových sietí v okolí.
- Spotrebič nemožno registrovať kvôli problémom s bezdrôtovým prenosom signálu. Odpojte spotrebič, aspoň minútu počkajte a skúste znova.
- Ak je aktívny firewall na bezdrôtovom smerovači, vypnite ho alebo do neho pridajte výnimku.
- Názov bezdrôtovej siete (SSID) by mal byť kombináciou anglických písmen a čísiel. (Nepoužívajte špeciálne znaky)
- Používateľské rozhranie smartfónu (UI) sa môže líšiť v závislosti od mobilného operačného systému (OS) a výrobcu.
- Ak je bezpečnostný protokol smerovača nastavený na **WEP**, nastavenie siete sa vám nemusí podať. Zmeňte bezpečnostný protokol na iný (odporúčame **WPA2**) a znovu zaregistrujte produkt.

Inštalovanie aplikácie LG ThinQ

V obchode Google Play alebo Apple App v smartfóne si vyhľadajte aplikáciu **LG ThinQ**. Aplikáciu si prevezmite a nainštalujte podľa pokynov.

Deaktivácia pripojenia k sieti

Na smartfóne vykonajte odpojenie od domácej siete Wi-Fi.

- 1 Spustíte aplikáciu **LG ThinQ**.
- 2 V aplikácii vyberte a dotknite sa položky **Umývačka riadu**.
- 3 V ponuke Nastavenia vyberte a dotknite sa položky **Odstrániť výrobok**, čím ju odpojíte.

Špecifikácia bezdrôtového modulu LAN

Model	LCW-003
Rozsah frekvencie	2412 až 2472 MHz
Výstupný výkon (max.)	IEEE 802.11b: 18.37 dBm IEEE 802.11g: 17.67 dBm IEEE 802.11n: 17.67 dBm

Verzia softvéru bezdrôtovej funkcie : V 1.0
Používateľ by mal vziať do úvahy to, že toto zariadenie by sa malo nainštalovať a používať s minimálnou vzdialenosťou 20 cm medzi zariadením a telesom.

Vyhlásenie o zhode



Spoločnosť LG Electronics týmto vyhlasuje, že Umývačka riadu rádiového typu je v súlade so

smernicou 2014/53/EÚ. Úplné znenie vyhlásenia o zhode s predpismi EÚ je k dispozícii na tejto internetovej adrese:

<http://www.lg.com/global/support/cedoc/cedoc#>
LG Electronics European Shared Service Centre B.V.
Krijgsman 1, 1186 DM Amstelveen, Holandsko



Informácie o softvéri typu Open Source

Ak chcete získať zdrojový kód, ktorý sa poskytuje na základe licencie GPL, LGPL, MPL a ďalších licencií typu Open Source (s otvoreným zdrojovým kódom) a ktorý je obsiahnutý v tomto produkte, navštívte webovú lokalitu <http://opensource.lge.com>.

Okrem zdrojového kódu si taktiež môžete prevziať všetky uvedené licenčné podmienky, upozornenia týkajúce sa zrieknutia záruky a autorských práv.

Spoločnosť LG Electronics vám tiež poskytne kód otvoreného zdroja na disku CD-ROM za poplatok, ktorý bude pokrývať náklady na takúto distribúciu (ako sú náklady na médiá, doručenie a manipuláciu), a to na základe e-mailovej žiadosti odoslanej na opensource@lge.com. Táto ponuka platí tri roky od posledného odoslania tohto produktu. Táto ponuka platí pre každého, komu bola táto informácia doručená.

Smart Diagnosis

Táto funkcia je k dispozícii iba na modeloch s logom  alebo .

Pomocou tejto funkcie môžete diagnostikovať a vyriešiť problémy s vašim spotrebičom.

POZNÁMKA

- Z dôvodov, ktoré sa nedajú pripísať nedbanlivosti spoločnosti LGE, služba nemusí fungovať z dôvodu vonkajších faktorov, ako je napríklad, ale nie výhradne, nedostupnosť Wi-Fi, odpojenie Wi-Fi, zásady miestneho obchodu s aplikáciami alebo nedostupnosť aplikácie.
- Funkcia môže byť zmenená bez predchádzajúceho upozornenia a môže mať inú podobu v závislosti na tom, kde sa nachádzate.

Použitie LG ThinQ k diagnostike problémov


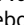
Ak sa v spotrebiči vybavenom Wi-Fi vyskytne problém, môže pomocou aplikácie **LG ThinQ** preniesť údaje potrebné k riešeniu problému do smartfónu.

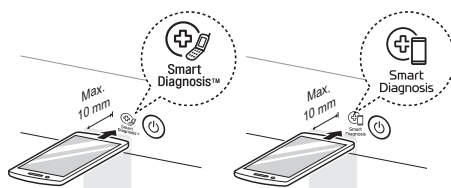
- Spustíte aplikáciu **LG ThinQ** a v ponuke vyberiete funkciu **Smart Diagnosis**. Postupujte podľa pokynov uvedených v aplikácii **LG ThinQ**.

Použitie zvukovej diagnostiky k diagnostike problémov

Ak chcete použiť zvukovú diagnostiku, postupujte podľa pokynov uvedených nižšie.

- Spustíte aplikáciu **LG ThinQ** a v ponuke vyberiete funkciu **Smart Diagnosis**. Postupujte podľa pokynov pre zvukovú diagnostiku uvedených v aplikácii **LG ThinQ**.

- 1 Stlačte tlačidlo **Výkon** na zapnutie spotrebiča.
 - Nestláčajte žiadne iné tlačidlá.
- 2 Umiestnite náustok vášho smartfónu v blízkosti loga  alebo .



- 3 Po dobu 3 sekúnd alebo dlhšie stlačte a podržte tlačidlo **Download Cycle (Stiahnuť cyklus)** a zároveň držte náustok smartfónu pri logu, kým sa prenos dát neskončí.
 - Smartfón držte na mieste, až kým sa nedokončí prenos dát. Zobrazí sa zostávajúci čas prenosu dát.
- 4 Po dokončení prenosu údajov sa v aplikácii zobrazí diagnostika.

POZNÁMKA

- Ak chcete dosiahnuť najlepšie výsledky, nehýbte smartfónom, kým prebieha prenos tónov.

Starostlivosť o zákazníka a servis

Obráťte sa na zákaznícke informačné centrum spoločnosti LG Electronics.

- Ak chcete nájsť autorizovaný servisný personál spoločnosti LG Electronics, navštívte našu webovú stránku na adrese **www.lg.com** a postupujte podľa pokynov, ktoré sú tam uvedené.
- Vlastná oprava sa neodporúča, pretože by mohla ďalej poškodiť zariadenie a spôsobiť stratu záruky.
- Náhradné diely uvedené v nariadení 2019/2022 sú k dispozícii minimálne 7 rokov.

ÚDRŽBA

Aby ste zachovali výkon a zabránili problémom, pravidelne kontrolujte vonkajšie a vnútorné časti spotrebiča, vrátane filtrov a ostrekovacích ramien.

VAROVANIE

- Pri čistení vonkajšej a vnútornej strany spotrebiča nepoužívajte žiadne roztoky na báze rozpúšťadiel, ako sú riedidlá alebo acetón. Môže to spôsobiť požiar alebo výbuch.

POZNÁMKA

- Zabráňte vniknutiu zvierat k napájacímu káblu alebo hadici na vodu.

Čistenie a starostlivosť

Čistenie vonkajšieho povrchu

Vo väčšine prípadov je možné vonkajší povrch spotrebiča vyčistiť mäkkou vlhkou handričkou alebo špongiou a potom ich osušiť mäkkou handričkou. Ak je vonkajšia časť spotrebiča z nehrdzavejúcej ocele, použite čistiaci prostriedok na nehrdzavejúcu ocel.

UPOZORNENIE

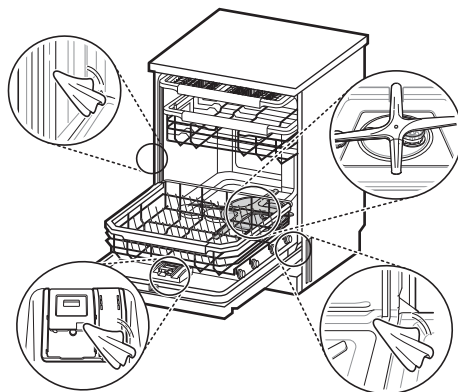
- Ak sa na vonkajšiu stranu výrobku vyleje olej na varenie, okamžite ho utrite. Vonkajšie časti výrobku nečistite čistiacimi prostriedkami, ktoré obsahujú alkohol, riedidlá, bieliadlá, benzén, horľavé kvapaliny alebo abrazívne látky. Tieto látky môžu spôsobiť zmenu farby alebo poškodenie spotrebiča.

Čistenie vnútorného priestoru

Interiér, ostrekovacie ramená alebo filtre sa odporúča čistiť raz za dva týždne.

Interiér spotrebiča pravidelne čistite mäkkou, vlhkou handričkou alebo špongiou, aby ste odstránili potraviny a nečistoty.

Po ukončení umývania môžu zvyšky jedla uviaznuť v úzkych medzerách vo vnútri spotrebiča. Vytrite von všetky zvyšky jedla.



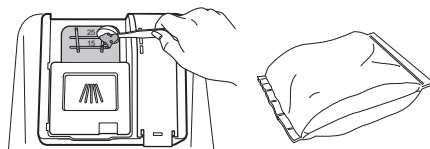
POZNÁMKA

- Ak ste spotrebič dlhšie nepoužívali, obnovte jeho fungovanie spustením programu **Turbo** alebo **Machine Clean (Čistenie spotrebiča)** s čistiacim prostriedkom. Po ukončení cyklu vyčistite vnútorné aj vonkajšie časti spotrebiča podľa pokynov **ÚDRŽBA**.

Čistenie vnútra umývačky riadu

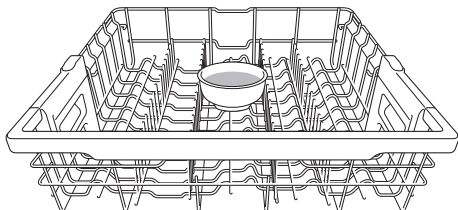
Použitie kyseliny citrónovej

Vyberte zo spotrebiča všetky riady, košík na príbor a držiak košíka na príbor. Vo vnútri umývačky riadu by mal zostať iba spodný a horný kôš. Aby ste dosiahli, čo najlepšie výsledky, použite kyselinu citrónovú v prášku (nájdete ju v oddelení so zaváraninami vo väčšine supermarketov alebo online). Odmerajte 3 polievkové lyžice (45 g) prášku kyseliny citrónovej. Naplňte priehradku na hlavné umývanie odmeraným množstvom prášku.



Použitie bieleho octu

Ak nedokážete zohnať kyselinu citrónovú v prášku, nalejte do plytkej misy približne 3/4 - 1 1/4 šálky (200 - 300 ml) bieleho octu a umiestnite ju do horného koša. Spustite cyklus **Auto**. Nepoužívajte čistiaci prostriedok. Po dokončení cyklus spustite ešte raz.

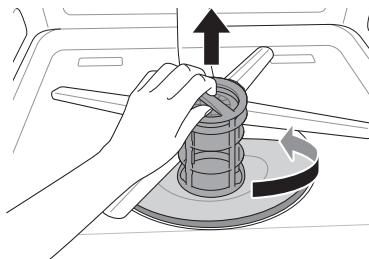


⚠ UPOZORNENIE

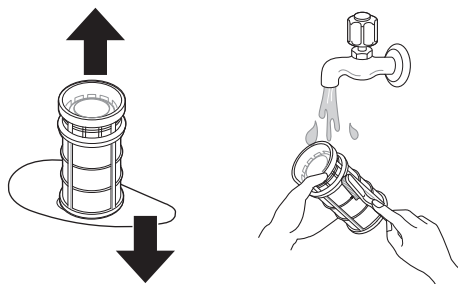
- Nelejte ocot priamo na základňu.
- Nadmerné používanie octu môže spôsobiť poškodenie spotrebiča.

Čistenie filtrov

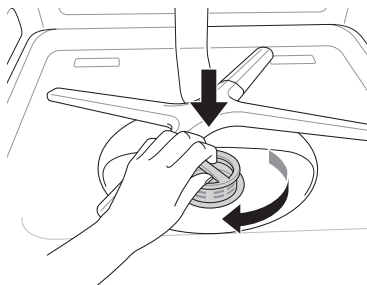
- 1 Vyberte spodný kôš a umiestnite spodné ostrekovacie rameno tak, aby bol širší zvar smerom dopredu.
- 2 Vnútrotný filter otočte proti smeru hodinových ručičiek a vyberte zmontovaný vnútrotný filter a filter z nerezovej ocele.



- 3 Filtre vyčistite mäkkou kefkou pod tečúcou vodou. Pred opätovnou inštaláciou filtrov filtre znovu zmontujte.



- 4 Ak chcete vymeniť zmontované filtre, umiestnite ostrekovacie rameno tak, aby širší zvar smeroval dopredu. Filtre vložte späť do držiaka filtrov a zaistite ich otočením vnútrotného filtra v smere hodinových ručičiek, až kým nezapadne na svoje miesto.



⚠ VAROVANIE

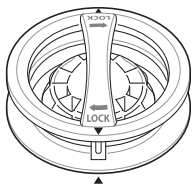
- Pri manipulácii s filtrom z nerezovej ocele si dajte pozor na ostré hrany.

⚠ UPOZORNENIE

- Po použití spotrebiča sa časti potravín filtrujú filterami. Akékoľvek neodstránené zvyšky potravín môžu spôsobovať zápach. Okrem toho môže vzniknúť problém s odtokom v dôsledku zvyškov potravín uviaznutých vo filtroch.

POZNÁMKA

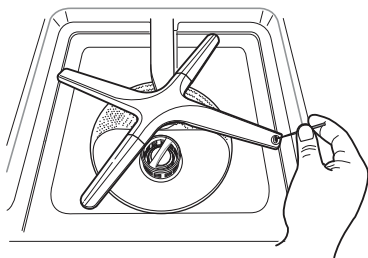
- Pri montáži ním pevne otáčajte, kým nezacvakne.

**Čistenie ostrekovacích ramien**

Ak sú otvory ostrekovacieho ramena upchaté zvyškami jedla, riad sa kvôli nesprávnemu ostrekovaniu vodou nemusí dobre vyčistiť.

Čistenie spodného ostrekovacieho ramena

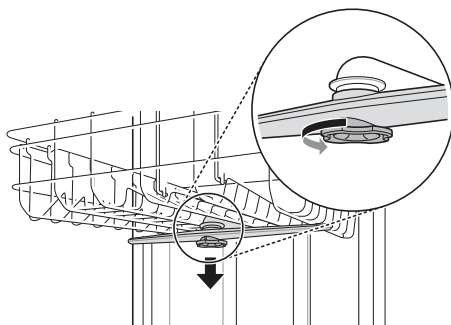
- 1 Uistite sa, že otvory na prúd vody nie sú upchaté čiastočkami jedál.
- 2 Ak akékoľvek zvyšky jedla blokujú otvory ostrekovacieho ramena, odstráňte ich kolíkom alebo iným ostrým nástrojom.

**⚠ UPOZORNENIE**

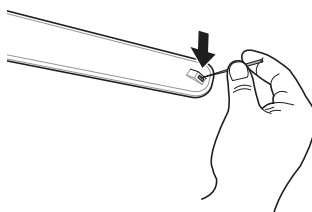
- Aby ste predišli zlomeniu koncových častí ostrekovacieho ramena, neťahajte za rameno ani ho ručne neotáčajte.

Čistenie horného ostrekovacieho ramena

- 1 Vytiahnite horný kôš smerom dopredu. Uistite sa, že otvory na prúd vody nie sú upchaté čiastočkami jedál.
- 2 Ak je potrebné čistenie, odmontujte horné ostrekovacie rameno otočením matice na spodnej strane ostrekovacieho ramena o 1/8 otáčky proti smeru hodinových ručičiek a potiahnutím ramena smerom nadol.

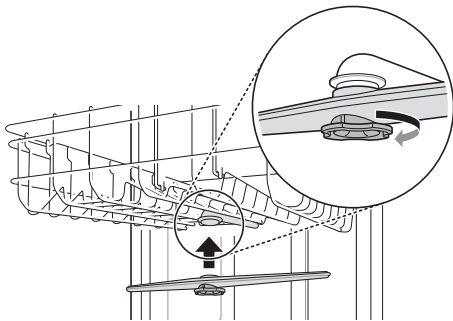


- 3 Odstráňte čiastočky jedál tak, že rameno opláchnete alebo ním potrasiete.
- 4 Ak akékoľvek zvyšky jedla blokujú otvory ostrekovacieho ramena, odstráňte ich kolíkom alebo iným ostrým nástrojom.



- 5 Po odstránení zvyškov jedál vyčistite otvory ostrekovacích ramien pod tečúcou vodou.
- 6 Po vyčistení horného ostrekovacieho ramena zasuňte rameno na miesto. Otočte maticou o 1/8 otáčky v smere hodinových ručičiek a

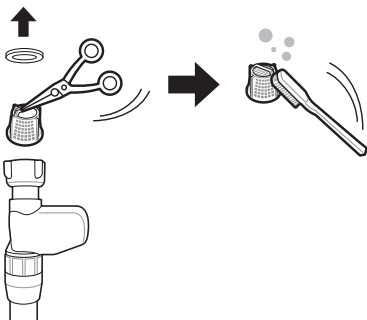
uistite sa, že matica zapadla späť na svoje miesto.



7 Po montáži skontrolujte, či sa ostrekovacie ramená voľne otáčajú.

Čistenie filtra hadice na prívod vody

- 1 Odpojte spotrebič.
- 2 Zavrite vodovodný kohútik.
- 3 Odskrutkujte hadicu na prívod vody.
- 4 Odstráňte tesnenie a plastový filter tak, že ich uchopíte do malých klieští alebo nožníc.



5 Namontujte filter a tesnenie a uistite sa, že správne sedia.

6 Hadicu na prívod vody namontujte a zaistite na mieste v opačnom poradí. Na dotiahnutie hadice nepoužívajte žiadne mechanické zariadenie. Na utiahnutie rukou môžete použiť mäkkú handričku.

POZNÁMKA

- Do vstupu hadice na prívod vody je namontovaný filter.
- Ak do spotrebiča netečie dostatočné množstvo vody, skontrolujte, či nie je filter upchatý.
- Ak dôjde k úniku, je nutné skontrolovať, či je prívodná hadica správne pripojená.
- Nikdy neutahujte ventil prívodu vody príliš silno ani na dotiahnutie nepoužívajte mechanické zariadenia.
- Pri opätovnej montáži tesnenia a filtra dbajte na to, aby boli bez nečistôt a usadenín, ktoré by mohli pochádzať z prívodu vody.

Sezónna údržba a skladovanie

- Ak budete počas teplejších mesiacov dlhšie neprítomní, zatvorte ventil vody a odpojte napájací kábel alebo vypnite istič. Vyčistite filter, vnútornú časť spotrebiča a dávkovač, aby ste zabránili vzniku zápachu.
- Ak budete v chladnejších mesiacoch dlhšie neprítomní a hrozí možnosť mrazu, zazimujte prívod vody a samotný spotrebič. Zazimovanie musí vykonať kvalifikovaný servisný personál.

RIEŠENIE PROBLÉMOV

Skôr ako zavoláte servis

Používanie spotrebiča môže viesť k chybám a poruchám. Nasledujúca tabuľka obsahuje možné príčiny a poznámky na vyriešenie chybového hlásenia alebo poruchy. Väčšinu problémov môžete vyriešiť svojpomocne, čím ušetríte čas a peniaze, keďže nemusíte volať servisné stredisko spoločnosti LG Electronics. Nasledujúca tabuľka by vám mala pomôcť pri riešení problémov.

Chybové kódy

Spotrebič je vybavený systémom automatického monitorovania chýb na zistenie a diagnostiku problémov v ranom štádiu. Ak spotrebič nepracuje správne alebo nepracuje vôbec, skôr, ako zavoláte servisné stredisko spoločnosti LG Electronics, postupujte podľa informácií uvedených v nasledujúcej časti.

Prejavy problému	Možné príčiny a riešenie
I E	<p>Problém s prívodom vody.</p> <ul style="list-style-type: none"> • Skontrolujte, či nie je upchatá, zauzlená alebo zamrznutá prívodná hadica. • Skontrolujte prívod vody.
OE	<p>Problém s odtokom.</p> <ul style="list-style-type: none"> • Skontrolujte, či nie je upchatá, zauzlená alebo zamrznutá odtoková hadica.
	<p>Odtokové hrdlo je upchaté.</p> <ul style="list-style-type: none"> • Odstráňte upchatie z odtokového hrdla.
	<p>Filtre sú upchaté.</p> <ul style="list-style-type: none"> • Vyčistite filtre.
bE	<p>Nadmerné penenie spôsobené nevhodným čistiacim prostriedkom, napríklad tekutým prostriedkom na umývanie riadu.</p> <ul style="list-style-type: none"> • Nepoužívajte tekuté prostriedky na umývanie riadu. Používajte iba čistiace prostriedky určené na použitie v automatických umývačkách riadu. • Ak chcete odstrániť zvyšky čistiaceho prostriedku z vnútra umývačky, nalejte približne 100 - 200 ml mlieka do plytkej misky, vložte ju do horného koša a potom spustite cyklus Auto spotrebiča.
	<p>Chyba vyrovnaní spotrebiča.</p> <ul style="list-style-type: none"> • Uistite sa, že spotrebič je správne vyrovnaný.
HE	<p>Porucha okruhu ohrievača</p> <ul style="list-style-type: none"> • Ak sa znova vyskytne ten istý problém, zavolajte servis.
FE	<p>Nadmerný prívod vody.</p> <ul style="list-style-type: none"> • Ak sa znova vyskytne ten istý problém, zavolajte servis.
RE	<p>Problém s únikom vody</p> <ul style="list-style-type: none"> • Ak sa znova vyskytne ten istý problém, zavolajte servis.

Prejavy problému	Možné príčiny a riešenie
ŁĚ	Porucha termistora <ul style="list-style-type: none"> Ak sa znova vyskytne ten istý problém, zavolajte servis.
ŁĚ	Porucha motora <ul style="list-style-type: none"> Ak sa znova vyskytne ten istý problém, zavolajte servis.
ŕĚ	Porucha variabilného motora <ul style="list-style-type: none"> Ak sa znova vyskytne ten istý problém, zavolajte servis.

Prevádzka

Prejavy problému	Možné príčiny a riešenie
Hluk	Niektoré úrovne hluku sú počas prevádzky normálne. <ul style="list-style-type: none"> Otvorenie krytu čistiaceho prostriedku. Odtokové čerpadlo na začiatku cyklu vypúšťania.
	Spotrebič nie je vyrovnaný. <ul style="list-style-type: none"> Nastavte nivelačné nohy.
	Rameno dýzy naráža na riad. <ul style="list-style-type: none"> Umiestnite riad inak.
	Tlak vody je príliš vysoký. <ul style="list-style-type: none"> Nastavte tlak vody.
Spotrebič nefunguje.	Dvere nie sú úplne zatvorené. <ul style="list-style-type: none"> Spotrebič znovu vyrovnajzte.
	Prívod elektrickej energie alebo napájací kábel nie sú pripojené. <ul style="list-style-type: none"> Správne pripojte napájací kábel alebo prívod elektrickej energie.
	Ak je funkcia Control Lock (Ovládací zámok) aktivovaná, na displeji sa zobrazí kód ŁL. <ul style="list-style-type: none"> Deaktivujte tlačidlo Control Lock (Ovládací zámok). Ak chcete túto funkciu aktivovať alebo deaktivovať, stlačte a podržte súčasne tlačidlá Half Load (Polovičná dávka) a Energy Saver (Šetrič energie) počas 3 sekúnd.
	Vypálená poistka alebo vypnutý istič. <ul style="list-style-type: none"> Vymeňte poistku alebo zapnite istič.
Spotrebič nepretržite pípa, keď sú dvere otvorené, počas cyklu alebo hneď po jeho ukončení.	Obsah spotrebiča je horúci a pri vkladaní rúk do spotrebiča by ste mali byť opatrní. <ul style="list-style-type: none"> Zatvorte dvierka, kým spotrebič a riad nevychladnú. Pípanie sa zastaví, keď budú dvierka zatvorené alebo keď sa teplota vo vnútri spotrebiča zníži.

Prejavy problému	Možné príčiny a riešenie
Voda po ukončení cyklu zostane v odtokovej nádrži.	Odtoková hadica je zalomená alebo upchatá. <ul style="list-style-type: none"> • Upravte alebo vyčistite hadicu.
	Voda môže zostať vo vnútri, ak vypadne napájanie pred bežným koncom cyklu alebo je manuálne odpojené. <ul style="list-style-type: none"> • Cyklus znova spustite.
Ostrekovacie ramená sa neotáčajú hladko.	Otvory ostrekovacích ramien sú upchaté kúskami jedál. <ul style="list-style-type: none"> • Vyčistite otvory ostrekovacích ramien.
Horný kôš je nakrivo.	Kôš je zle nastavený. <ul style="list-style-type: none"> • Pozrite si časť Nastavenie výšky horného koša.
Kontrolky sa nerozsvietia.	Napájanie nie je pripojené. <ul style="list-style-type: none"> • Pripojte zdroj napájania.
Vo vnútri spotrebiča je nadmerná pena.	Nebol použitý čistiaci prostriedok určený výhradne pre spotrebič. <ul style="list-style-type: none"> • Používajte čistiaci prostriedok určený výhradne pre spotrebič.
	Penenie môže spôsobiť nadmerné množstvo leštiaceho prostriedku. <ul style="list-style-type: none"> • Znížte hladinu dávkovania leštiaceho prostriedku.
V dávkovači čistiaceho prostriedku ostáva čistiaci prostriedok.	Horný kôš nie je vyvážený. <ul style="list-style-type: none"> • Nastavte výšku na ľavej/pravej strane horného koša.
	Nemúsí dochádzať k dávkovaniu čistiaceho prostriedku, pretože zle uložený riad bráni automatickému otvoreniu dávkovača čistiaceho prostriedku. <ul style="list-style-type: none"> • Riad poriadne uložte a pred pridaním nového čistiaceho prostriedku vždy vysušte dávkovač tak, aby sa v ňom čistiaci prostriedok nelepil.
Voda uniká mimo spotrebiča.	Dvere nemusia dobre dôveriť z dôvodu naklonenia spotrebiča. V tomto prípade môže dochádzať k úniku vody. <ul style="list-style-type: none"> • Skontrolujte vyrovnanie nastavením nôh.
	Únik vody môže spôsobiť nesprávna inštalácia odtokovej hadice. <ul style="list-style-type: none"> • Skontrolujte prípojnú časť odtokovej hadice.
	Ak je napájanie vypnuté, únik vody môže byť spôsobený zlým pripojením k vodovodnému kohútiku. <ul style="list-style-type: none"> • Skontrolujte pripojenie prívodnej hadice.

Výkon

Prejavy problému	Možné príčiny a riešenie
Zahmlené sklenené riady	Kombinácia nadmerného množstva čistiaceho prostriedku a tvrdej vody <ul style="list-style-type: none"> Aby ste problém minimalizovali, používajte menej čistiaceho prostriedku a použite leštiaci prostriedok. Skontrolujte nastavenie systému zmäkčovania.
Čierne alebo sivé šmuhy na riade	Počas cyklu ošúchali riad hliníkové predmety <ul style="list-style-type: none"> Umiestnite riad inak.
Žltý alebo hnedý povlak na vnútorných plochách spotrebiča	Škvrný od kávy alebo čaju <ul style="list-style-type: none"> Odstráňte škvrný pomocou prípravku na odstránenie škvŕn.
V umývačke riadu zostáva žltá voda.	Pri prvom použití spotrebiča sa môže v nádrži na zmäkčovač vody tvoriť žltá voda. <ul style="list-style-type: none"> Je to normálny jav a pre ľudí je neškodný. Po 1 - 3 cykloch zmizne.

Prejavy problému	Možné príčiny a riešenie
Škvry a povlak na riade	Nesprávne množstvo čistiaceho prostriedku <ul style="list-style-type: none"> • Použite odporúčané množstvo čistiaceho prostriedku.
	Nadmerná dávka riadu <ul style="list-style-type: none"> • Spotrebič neprepíňajte.
	Nesprávne poukladaný riad <ul style="list-style-type: none"> • Pozrite si časť PREVÁDZKA.
	Nedostatočný tlak vody <ul style="list-style-type: none"> • Tlak vody by mal byť medzi 0,05 - 0,6 MPa.
	Nedostatočné množstvo čistiaceho prostriedku <ul style="list-style-type: none"> • Pridajte odporúčané množstvo čistiaceho prostriedku. Pozrite si časť PREVÁDZKA.
	Dávkovač leštiaceho prostriedku je prázdny. <ul style="list-style-type: none"> • Doplňte dávkovač leštiaceho prostriedku.
	V zmäkčovači vody nie je soľ alebo je jej množstvo nedostatočné. <ul style="list-style-type: none"> • Skontrolujte, či je v zmäkčovači vody soľ.
	Úroveň tvrdosti vody môže byť nastavená príliš nízko. <ul style="list-style-type: none"> • Zvýšte hodnotu nastavenia tvrdosti.
	Množstvo leštiaceho prostriedku môže byť nedostatočné. <ul style="list-style-type: none"> • Doplňte leštiaci prostriedok alebo zvýšte úroveň dávkovania.
	Tvrdá voda nahromadená vo vnútri spotrebiča <ul style="list-style-type: none"> • Vyberte všetky riady, košík na príbor a držiak košíka na príbor zo spotrebiča. Vo vnútri umývačky riadu by mali zostať iba horný a spodný kôš. Aby ste dosiahli čo najlepšie výsledky použite kyselinu citrónovú v prášku (nájdete ju v oddelení na zaváranie vo väčšine potravín alebo online). Odmerajte 3 polievkové lyžice (45 g) prášku kyseliny citrónovej. Naplňte priehradku na hlavné umývanie odmeraným množstvom prášku. Ak nedokážete zohnať kyselinu citrónovú v prášku, nalejte do plytkej misky približne 3/4 - 1 1/4 šálky (200 - 300 ml) bieleho octu a umiestnite ju do horného koša. Spustite cyklus Auto. Nepoužívajte čistiaci prostriedok. Po dokončení cyklus spustite ešte raz.

Prejavy problému	Možné príčiny a riešenie
Zápach	<p>Predchádzajúci cyklus bol zastavený pred dokončením a zvyšná voda zostala v spotrebiči.</p> <ul style="list-style-type: none"> • Zapnite napájanie, spustíte voľbu cyklu Cancel (Zrušiť), aby ste odstránili zvyšnú vodu, potom spustíte cyklus Turbo s použitím čistiaceho prostriedku, ale bez riadu v spotrebiči.
	<p>V spodnej časti spotrebiča alebo vo filtri je jedlo.</p> <ul style="list-style-type: none"> • Vyčistite filter a vnútro spotrebiča podľa časti ÚDRŽBA návodu na obsluhu.
	<p>V umývačke boli ponechané dlhú dobu neumyté riady.</p> <ul style="list-style-type: none"> • Spustíte cyklus tak, že do jednej šálky alebo pohára v spotrebiči nalejete biely ocot alebo ho umiestnite v miske do horného koša. (Ocot je kyselina a pri stálom používaní môže poškodiť váš spotrebič.)
Na riade zostávajú zvyšky jedál.	<p>Výber nesprávneho cyklu</p> <ul style="list-style-type: none"> • Zvoľte správny cyklus na základe úrovne znečistenia a typu umývaného riadu.
	<p>Teplota vody je príliš nízka.</p> <ul style="list-style-type: none"> • Skontrolujte pripojenie prívodu vody alebo ohrievača vody.
	<p>Čistiaci prostriedok na umývanie riadu nebol použitý.</p> <ul style="list-style-type: none"> • Použite odporúčaný čistiaci prostriedok.
	<p>Nízky tlak vody na vstupe</p> <ul style="list-style-type: none"> • Tlak vody by mal byť medzi 0,05 - 0,6 MPa.
	<p>Otvory pre prúd vody na ostrekovacích ramenách sú upchaté.</p> <ul style="list-style-type: none"> • Vyčistite ostrekovacie ramená.
	<p>Nesprávne vloženie riadu.</p> <ul style="list-style-type: none"> • Uistite sa, že riady neblokujú otáčanie ostrekovacích ramien ani neprekážajú dávkovaču čistiaceho prostriedku.
	<p>Filtre sú upchaté.</p> <ul style="list-style-type: none"> • Vyčistite filtre.
	<p>Príliš veľa neodstránených zvyškov jedla na riade.</p> <ul style="list-style-type: none"> • Veľké kúsky zvyškov jedla by mali byť z riadu odstránené skôr, ako sa spustí umývanie.

Sušenie

Prejavy problému	Možné príčiny a riešenie
Riad nie je suchý.	Dávkovač leštiaceho prostriedku je prázdny. <ul style="list-style-type: none"> Ak je dávkovač leštiaceho prostriedku prázdny, skontrolujte a doplňte ho. Aby ste dosiahli lepší výsledok sušenia po použití dvere mierne otvorte.
	Použité tablety nemusia obsahovať leštiaci prostriedok. Tým sa zníži výkon sušenia. <ul style="list-style-type: none"> Vymeňte za tabletu, ktorá obsahuje leštiaci prostriedok (ak si nie ste istí, obráťte sa na výrobcu tabliet). Prípadne môžete použiť tekutý leštiaci prostriedok v dávkovači, ak ho tablety neobsahujú.
	Bol zvolený cyklus bez možnosti Extra Dry (Extra suché). <ul style="list-style-type: none"> Vyberte cyklus, kde je predvolená možnosť Extra Dry (Extra suché).

Wi-Fi

Prejavy problému	Možné príčiny a riešenie
Váš domáci spotrebič a smartfón nie sú pripojené k sieti Wi-Fi.	Heslo pre Wi-Fi pripojenie, na ktoré sa pokúšate pripojiť, je nesprávne. <ul style="list-style-type: none"> Nájdite Wi-Fi sieť, ku ktorej je pripojený váš smartfón a odstráňte ju, potom svoj spotrebič zaregistrujte na LG ThinQ.
	Mobilné dáta vášho smartfónu sú zapnuté. <ul style="list-style-type: none"> Vypnite Mobilné dáta na vašom smartfóne a zaregistrujte spotrebič pomocou Wi-Fi siete.
	Názov bezdrôtovej siete (SSID) je nastavený nesprávne. <ul style="list-style-type: none"> Názov bezdrôtovej siete (SSID) by mal byť kombináciou anglických písmen a číslíc. (Nepoužívajte špeciálne znaky).
	Frekvencia smerovača nie je 2,4 GHz. <ul style="list-style-type: none"> Sú podporované smerovače len s frekvenciou 2,4 GHz. Nastavte bezdrôtový smerovač na 2,4 GHz a pripojte k nemu spotrebič. Ak chcete skontrolovať frekvenciu smerovača, obráťte sa na svojho poskytovateľa internetových služieb alebo výrobcu smerovača.
	Vzdialenosť medzi spotrebičom a smerovačom je príliš veľká. <ul style="list-style-type: none"> Ak je vzdialenosť medzi spotrebičom a bezdrôtovým smerovačom príliš veľká, signál môže byť slabý a pripojenie nemusí byť správne nakonfigurované. Presuňte smerovač tak, aby sa nachádzal bližšie pri spotrebiči.

DODATOK

Produktový štítok

Delegované nariadenie komisie (EÚ) čísl. 2019/2017

Názov dodávateľa alebo jeho ochranná známka: LG Electronics Inc

Adresa dodávateľa*2: LG Electronics European Shared Service Centre B.V., Krijgsman 1, 1186 DM Amstelveen, Holandsko

*1 pre program eco.

*2 zmeny uvedených položiek sa nepovažujú za relevantné na účely článku 4 ods. 4 nariadenia (EÚ) 2017/1369.

Identifikačný kód modelu: DF425***

Všeobecné parametre výrobku:

Parameter	Hodnota	Parameter	Hodnota
Menovitá kapacita *1 (J)	14	Rozmery v cm	
		Výška	85
		Šírka	60
		Hĺbka	60
EEI*1	49,9	Trieda energetickej účinnosti*1	D
Koeficient účinnosti umývania *1	1,13	Koeficient účinnosti sušenia *1	1,07
Spotreba energie v kWh [na cyklus], na základe programu eco s prívodom studenej vody. Skutočná spotreba energie závisí od toho, ako sa spotrebič používa.	0,849	Spotreba vody v litroch [na cyklus], na základe programu eco. Skutočná spotreba vody závisí od toho, ako sa spotrebič používa, a od tvrdosti vody.	9,5
Trvanie programu*1 (h:min)	3:13	Typ	voľne stojaca
Úroveň vydávaného hluku prenášaného vzduchom*1 (dB(A) re 1 pW)	41	Trieda úrovne vydávaného hluku prenášaného vzduchom*1	B
Režim vypnutia (W)	0,49	Režim pohotovosti (W)	0,49
Odložený štart (W) (ak je k dispozícii)	3,99	Režim pohotovosti pri zapojení v sieti (W) (ak je k dispozícii)	1,99
Minimálne trvanie záruky, ktorú ponúka dodávateľ*2: 2 roky			
Doplňujúce informácie: www.lg.com			

Identifikačný kód modelu: DF325***

Všeobecné parametre výrobku:

Parameter	Hodnota	Parameter	Hodnota	
Menovitá kapacita * ¹ (JS)	14	Rozmery v cm	Výška	85
			Šírka	60
			Hĺbka	60
EEI* ¹	55,9	Trieda energetickej účinnosti* ¹	E	
Koeficient účinnosti umývania* ¹	1,13	Koeficient účinnosti sušenia* ¹	1,07	
Spotreba energie v kWh [na cyklus], na základe programu eco s prívodom studenej vody. Skutočná spotreba energie závisí od toho, ako sa spotrebič používa.	0,951	Spotreba vody v litroch [na cyklus], na základe programu eco. Skutočná spotreba vody závisí od toho, ako sa spotrebič používa, a od tvrdosti vody.	9,5	
Trvanie programu* ¹ (h:min)	3:48	Typ	voľne stojaca	
Úroveň vydávaného hluku prenášaného vzduchom* ¹ (dB(A) re 1 pW)	42	Trieda úrovne vydávaného hluku prenášaného vzduchom* ¹	B	
Režim vypnutia (W)	0,26	Režim pohotovosti (W)	0,26	
Odložený štart (W) (ak je k dispozícii)	3,99	Režim pohotovosti pri zapojení v sieti (W) (ak je k dispozícii)	1,99	
Minimálne trvanie záruky, ktorú ponúka dodávateľ*²: 2 roky				
Doplňujúce informácie: www.lg.com				

Identifikačný kód modelu: DF325**

Všeobecné parametre výrobku:

Parameter	Hodnota	Parameter	Hodnota	
Menovitá kapacita * ¹ (J5)	14	Rozmery v cm	Výška	85
			Šírka	60
			Hĺbka	60
EEI* ¹	55,9	Trieda energetickej účinnosti* ¹	E	
Koeficient účinnosti umývania* ¹	1,13	Koeficient účinnosti sušenia* ¹	1,07	
Spotreba energie v kWh [na cyklus], na základe programu eco s prívodom studenej vody. Skutočná spotreba energie závisí od toho, ako sa spotrebič používa.	0,951	Spotreba vody v litroch [na cyklus], na základe programu eco. Skutočná spotreba vody závisí od toho, ako sa spotrebič používa, a od tvrdosti vody.	9,5	
Trvanie programu* ¹ (h:min)	3:48	Typ	voľne stojaca	
Úroveň vydávaného hluku prenášaného vzduchom* ¹ (dB(A) re 1 pW)	44	Trieda úrovne vydávaného hluku prenášaného vzduchom* ¹	B	
Režim vypnutia (W)	0,26	Režim pohotovosti (W)	0,26	
Odložený štart (W) (ak je k dispozícii)	3,99	Režim pohotovosti pri zapojení v sieti (W) (ak je k dispozícii)	1,99	
Minimálne trvanie záruky, ktorú ponúka dodávateľ*²: 2 roky				
Doplňujúce informácie: www.lg.com				

Komisiou delegované nariadenie (EÚ) čísl. 1059/2010

Meno alebo obchodná značka dodávateľa	LG			
Identifikátor modelu dodávateľa	DF425***	DF325***	DF325**	
Menovitý výkon, v štandardných jedálenských súpravách (JS), pre štandardný cyklus umývania	14			JS
Trieda energetickej účinnosti	A+++	A++	A++	
Udelenie „environmentálnej značky EÚ“ podľa nariadenia (ES) č. 66/2010	Žiadne			
Spotreba energie „X“ kWh za rok založená na 280 štandardných umývacích cykloch pri použití prívodu studenej vody a spotrebe pri režimoch s nízkym výkonom. Skutočná spotreba energie bude závisieť od spôsobu používania spotrebiča.	237	266	266	kWh/rok
Spotreba energie (Et) pri štandardnom umývacom cykle	0,83	0,944	0,944	kWh
Spotreba energie v režime vypnutia	0,49	0,26	0,26	W
Spotreba energie v režime zapnutia	0,49	0,26	0,26	W
Spotreba vody „X“ litrov za rok založená na 280 štandardných umývacích cykloch. Skutočná spotreba vody bude závisieť od spôsobu používania spotrebiča.	2700			litrov/rok
Trieda účinnosti sušenia „X“ na stupnici od G (najmenej účinná) po A (najúčinnnejšia)	A			
„Eko“ je štandardný cyklus umývania, na ktorý sa vzťahujú informácie uvedené na štítku a v opise výrobku. Tento program je vhodný na umývanie normálne znečisteného riadu a z hľadiska kombinovanej spotreby energie a vody je najefektívnejším programom.				
Trvanie programu pri štandardnom cykle umývania	193	228	228	min
Trvanie režimu zapnutia (TI)	1			min
Úroveň vydávaného hluku prenášaného vzduchom	41	42	44	dB(A)
Voľne postavený				

UPORABNIŠKI PRIROČNIK

POMIVALNI STROJ



Pred začetkom namestitve pozorno preberite ta navodila. To bo poenostavilo namestitev in zagotovilo, da je izdelek pravilno ter varno nameščen. Po namestitvi shranite ta navodila v bližini izdelka za poznejšo uporabo.

SLOVENŠČINA

DF425*** / DF325*** / DF325**

VSEBINSKO KAZALO

Ta priročnik lahko vsebuje slike ali vsebino, ki se razlikuje od modela, ki ste ga kupili.

Ta priročnik lahko proizvajalec dopolnjuje.

VARNOSTNA NAVODILA

PRED UPORABO PREBERITE VSA NAVODILA	4
OPOZORILA.....	4
SVARILA	9
SKRB ZA OKOLJE	11

NAMESTITEV

Deli in specifikacije.....	12
Priprava odpiranja omarice	14
Poravnava naprave	17
Namestitev odtočne cevi.....	18
Priprava vodnih in električnih priključkov.....	19
Preverjanje končne namestitve	20

DELOVANJE

Pred uporabo.....	22
Pregled delovanja	25
Nadzorna plošča	27
Cikli pomivanja	28
Možnosti in dodatne funkcije	29
Tabela programov.....	32
Informacije za preizkus	39
Nalaganje posode v pomivalni stroj	40
Dodajanje sredstev za čiščenje.....	46
Polnjenje.....	48
Uporabni nasveti.....	48

PAMETNE FUNKCIJE

Aplikacija LG ThinQ	49
Smart Diagnosis	51

VZDRŽEVANJE

Čiščenje in nega	53
------------------------	----

ODPRAVLJANJE TEŽAV

Preden pokličete servis57

PRILOGA

Podatkovna kartica izdelka64

VARNOSTNA NAVODILA

PRED UPORABO PREBERITE VSA NAVODILA

Naslednja varnostna navodila so namenjena preprečevanju nepredvidenih tveganj ali škode zaradi nevarnega ali nepravilnega delovanja naprave.

Navodila so ločena na oznaki 'OPOZORILO' in 'POZOR', kot je opisano v nadaljevanju.

Varnostna sporočila



Ta simbol se prikaže, kadar označuje zadeve in operacije, ki lahko ustvarijo tveganje.

Natančno preberite del s tem simbolom in upoštevajte navodila, da se izognete tveganju.



OPOZORILO

Označuje, da lahko zaradi neupoštevanja navodil pride do hudih poškodb ali smrti.



POZOR

Označuje, da lahko zaradi neupoštevanja navodil pride do lažjih poškodb ali poškodb naprave.

OPOZORILA



OPOZORILO

- Da bi pri uporabi naprave zmanjšali nevarnost eksplozije, požara, električnega udara ali opeklin, upoštevajte osnovne varnostne ukrepe, vključno z naslednjimi:

Tehnična varnost

- Naprave ne smejo uporabljati osebe (vključno z otroki) z zmanjšanimi telesnimi, čutnimi ali duševnimi sposobnostmi ali osebe s

pomanjkanjem izkušenj in znanja, razen če jih pri uporabi nadzoruje ali jim svetuje oseba, odgovorna za njihovo varnost. Nadzorujte otroke in poskrbite, da se z napravo ne bodo igrali.

- Upoštevajte navodila v poglavju Tehnični podatki glede največjega števila pogrinjkov, ki jih lahko operete v pomivalnem stroju.
- Tlak vode mora biti med 0,05 MPa in 0,6 MPa.

Namestitev

- Naprave nikoli ne uporabljajte, če je poškodovana, deluje nepravilno, je delno razstavljena ali ima manjkajoče ali zlomljene dele, vključno s poškodovanim kablom ali z vtičem.
- Če je napajalni kabel poškodovan ali vtikač razrahljan, napajalnega kabla ne uporabljajte. Obrnite se na pooblaščen servisni center.
- Ne spreminjajte napajalnega kabla, ki je priložen napravi. Obrnite se na informacijski center za stranke družbe LG, kjer vam bodo svetovali glede njegove nezdržljivosti.
- Napravo naj prenašata dve ali več oseb s trdnim oprijemom.
- Naprave ne postavljajte na vlažna in prašna mesta. Naprave ne namestite ali hranite zunaj ali na katerem koli mestu, kjer bi bila podvržena vremenskim razmeram, kot so neposredna sončna svetloba, veter, dež ali temperature pod ničlo.
- S to napravo ne uporabljajte večdelnih vtičnic, podaljška napajalnega kabla ali adapterja.
- Pred nameščanjem ali servisiranjem naprave odklopite napajalni kabel, hišno varovalko ali prekinjevalec električnega tokokroga.
- Kadar izdelek premikate ali nameščate na drugo mesto, se za namestitev in servis obrnite na usposobljeno servisno osebje.
- Odtočno cev čvrsto namestite na mesto.
- Ta naprava ni zasnovana za pomorsko uporabo oziroma za mobilne instalacije, kot so avtodom, počitniške prikolice ali letala.
- Ta naprava se mora nahajati v bližini električnega napajanja.
- Pri nameščanju ali premikanju naprave pazite, da napajalnega kabla ne stisnete, zdrobite ali poškodujete.

- Uporabite novo cev ali komplet cevi, ki je priložen napravi. Ponovna uporaba starih cevi lahko povzroči puščanje vode in posledično materialno škodo.
- Nepravilna povezava prevodnika ozemljitve lahko povzroči nevarnost električnega udara. Kadar dvomite v pravilno ozemljitev naprave, se posvetujte z usposobljenim električarjem ali s servisnim osebjem.
- Naprava mora biti ozemljena. V primeru okvare ali nepravilnega delovanja bo ozemljitev zmanjšala nevarnost električnega udara, ki električnemu toku zagotavlja pot najmanjšega odpora.
- Naprava je opremljena z napajalnim kablom, ki ima prevodnik ozemljitve in ozemljitveni vtič. Vtič priključite v ustrezno vtičnico, ki je nameščena in ozemljena v skladu z vsemi lokalnimi predpisi ter odloki.
- Po nameščanju in pred premikanjem naprave v odprtino omarice preverite cev glede morebitnega puščanja.
- Napajalnega kabla naprave ne poškodujte oziroma nanj ne postavljajte težkih predmetov.
- Ta naprava je namenjena samo uporabi v gospodinjstvu in doma in je ne smete uporabljati za komercialne namene.
- Za trajno priključen pomivalni stroj: naprava mora biti priključena na ozemljeni kovinski in trajni sistem ožičenja oziroma mora skupaj s prevodniki tokokroga potekati prevodnik za ozemljitev opreme, ki mora biti priključen na terminal za ozemljitev opreme oziroma mora potekati do naprave.
- Ozemljitveno žico priključite na zeleni ozemljitveni priključek v terminalni omarici.

Delovanje

- Če zaznate čuden zvok, neprijeten vonj oziroma če iz naprave izhaja dim, nemudoma izključite napajalni vtič in se obrnite na informacijski center za stranke LG Electronics.
- Ne popravljajte ali menjajte katerih koli delov naprave. Vsa popravila in vzdrževanje mora opraviti usposobljeno servisno osebje, razen če je drugače priporočeno v pričujočih Navodilih za uporabo. Uporabljajte le odobrene tovarniške dele.

- Vrat naprave ne puščajte odprtih. Otroci se lahko obesijo na vrata ali splezajo v napravo, kar lahko povzroči škodo ali poškodbe.
- V bližini naprave ne uporabljajte vnetljivih plinov in gorljivih snovi (benzena, bencina, razredčila, nafte, alkohola itn.).
- Ne poskušajte ločiti plošč ali razstaviti naprave. Pri upravljanju naprave s pomočjo nadzorne plošče ne uporabljajte nobenih ostrih predmetov.
- Napajalnega kabla ne upogibajte in nanj ne odlagajte težkih predmetov.
- Živih živali, kot so hišni ljubljenci, ne postavljajte v napravo.
- Vtiča ali kontrolnikov naprave se ne dotikajte z mokrimi rokami.
- V primeru uhajanja plina (izobutan, propan, zemeljski plin itd.) se ne dotikajte naprave ali vtiča ter takoj prezračite prostor.
- V primeru poplave izključite vtič in se obrnite na informacijski center za stranke LG Electronics.
- V določenih pogojih se v sistemu tople vode, ki ni bil v uporabi dva tedna ali več, lahko tvori vodikov plin. **VODIKOV PLIN JE EKSPLOZIVEN.** Če sistema tople vode niste uporabljali v omenjenem obdobju, pred uporabo naprave odprite vse pipe s toplo vodo in pustite, da nekaj minut iz njih izteka voda. Tako boste sprostili morebiten nakopičen vodikov plin. Ker je dim vnetljiv, v tem času ne kadite oziroma ne uporabljajte odprtega plamena.
- Območje pod napravo in okrog nje ne sme biti v bližini gorljivih materialov, kot so kosmi, papir, krpe, kemikalije itd.
- Nekateri detergenti za pomivalni stroj so močno bazični. Če jih pogoltnete, so lahko zelo nevarni. Izogibajte se stiku s kožo in očmi in poskrbite, da se otroci ne bodo približevali pomivalnemu stroju, kadar so vrata odprta. Po končanem programu pranja preverite, ali je predelek za detergent prazen.
- Naprave ne uporabljajte, če plošče za zapiranje niso ustrezno nameščene.
- Uporabljajte le detergente ali vlažilna sredstva, priporočena za uporabo v napravi, in jih hranite izven dosega otrok.

- Ne pomivajte in sušite predmetov, ki so bili namočeni v eksplozivih snoveh, kot so bencin, topila, detergent na osnovi topila.
- Pri nalaganju predmetov za pranje:
 - Ostre predmete dajte na mesto, kjer ne morejo poškodovati tesnila vrat.
 - Ostre nože namestite tako, da bodo ročaji obrnjeni navzgor, da boste zmanjšali možnost ureznin.
- Plastične posode ne pomivajte, razen če ima oznako »dishwasher safe« (varno za pranje v pomivalnem stroju) ali enakovredno oznako. Pri plastični posodi s to oznako preverite priporočila proizvajalca.
- Med ali takoj po uporabi naprave se ne dotikajte nobenega grelnega elementa (kjer je izpostavljen).
- Z vrati oziroma polico za posodo ne ravnajte grdo, ne sedajte nanjo in nanjo ne stopajte.
- Po končanem čiščenju posode zaprite pipo. Pred čiščenjem pipo ponovno odprite in preverite stanje priključka cevi za dovod vode.
- Kadar naprava deluje, ne odpirajte vrat, saj bo voda pljusnila ven in tako lahko povzroči nevarnost zdrsa.
- Pazite, da pri zapiranju naprave ne stisnete roke.
- Ne pomivajte in sušite predmetov, ki so bili namočeni v eksplozivih snoveh, kot so bencin, topila, detergent na osnovi topila.
- Ne dotikajte se nobenega nameščenega izhoda za paro.
- Če majhne dele, kot so sponke polic in zadrževalniki filtra, odstranite iz pomivalnega stroja, lahko predstavljajo nevarnost zadužitve. Hranite jih izven dosega otrok.
- Nože in druge pripomočke z ostrimi konicami naložite v košaro, tako da bodo ostri deli obrnjeni navzdol, oziroma jih položite v vodoravni položaj.
- Vrat ne puščajte odprtih, saj to predstavlja nevarnost spotikanja.

Vzdrževanje

- Naprave nikoli ne izključite z vlečenjem za napajalni kabel. Vtič vedno trdno primite in ga iztaknite iz vtičnice.

- Po odstranitvi vlage ali prahu vtič previdno priključite v vtičnico.
- Pri čiščenju zunanosti ali notranosti naprave nikoli ne pršite z vodo.
- Pred čiščenjem odklopite napravo iz vira napajanja. S postavitvijo nadzorne plošče na OFF ali v položaj stanja pripravljenosti ne boste odklopili naprave iz vira napajanja.

Odstranjevanje

- Preden zavržete staro napravo, jo izklopite. Da preprečite zlorabe, odrežite kabel neposredno za napravo.
- Ves embalažni material (plastične vrečke in stiropor) odložite na mesto izven dosega otrok. Embalaža lahko povzroči zadušitev.
- Preden odstranite ali zavržete to napravo, odstranite vrata, da se izognete nevarnosti ujetja otrok ali majhnih živali v napravo.

SVARILA

POZOR

- Da bi pri uporabi izdelka zmanjšali nevarnost požara, električnega udara ali telesnih poškodb, upoštevajte osnovne varnostne ukrepe, vključno z naslednjimi:

Namestitev

- Izdelek namestite na trdna in ravna tla.
- Med nameščanjem odtočne cevi ne namestite pod pomivalni stroj.

Delovanje

- Če naprave dlje časa ne boste uporabljali, na primer med počitnicami, zaprite pipo z vodo in napravo izključite iz napajanja.
- Na napravo ne postavljajte predmetov.
- Površine izdelka ne obrišite ali premažite s tekočim detergentom ali belilom (belilo na osnovi klora, kisika itd.). Neupoštevanje teh navodil lahko povzroči korozijo ali razbarvanje premaza.

- Ne dotikajte se vode, ki izteka iz stroja, saj je lahko vroča.
- Če odtočna cev in cev za dovod vode pozimi zamrzneta, ju pred uporabo odmrznite.
- Pod ali za napravo ne segajte z rokami in stopali oziroma tja ne polagajte kovinskih predmetov.
- Ne pomivajte posode, na kateri so kemični izdelki, kot so olje, kreme ali losjoni, ki se uporabljajo v masažnem salonu, kozmetičnih salonih ali frizerskih salonih.

Vzdrževanje

- Če zunanost izdelka poškopite z jedilnim oljem, ga nemudoma obrišite. Zunanosti izdelka ne čistite s čistili, ki vsebujejo alkohol, razredčila, belilo, benzen, vnetljive tekočine ali abrazivna sredstva. Ta sredstva lahko napravo razbarvajo ali jo poškodujejo.

SKRIB ZA OKOLJE

Odstranjevanje vaše stare naprave



- Prečrtan simbol smetnjaka opozarja, da je treba odpadne električne in elektronske izdelke (OEEI) odstranjevati ločeno od ostalih komunalnih odpadkov.
- Odpadni električni izdelki lahko vsebujejo nevarne snovi, zato s pravilnim odstranjevanjem stare naprave prispevate k preprečevanju morebitnih negativnih vplivov na okolje in zdravje ljudi. Vaša stara naprava lahko vsebuje dele, ki jih je mogoče uporabiti za popravilo drugih izdelkov, in druge dragocene materiale, ki jih je mogoče reciklirati in s tem ohraniti omejene vire.
- Svojo napravo lahko odnesete bodisi v trgovino, kjer ste kupili ta izdelek, ali pa se obrnite na lokalni urad za odstranjevanje odpadkov glede podrobnosti o najbližjem pooblaščenem zbirnem mestu za OEEO. Za najnovejše informacije za vašo državo si oglejte www.lg.com/global/recycling.

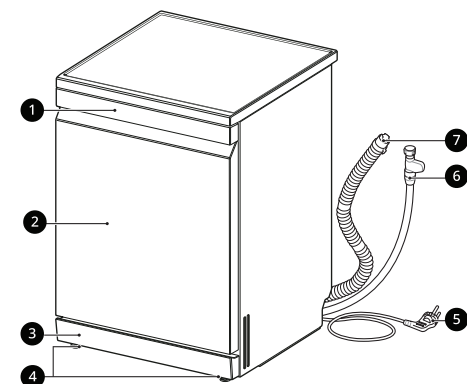
NAMESTITEV

Deli in specifikacije

OPOMBA

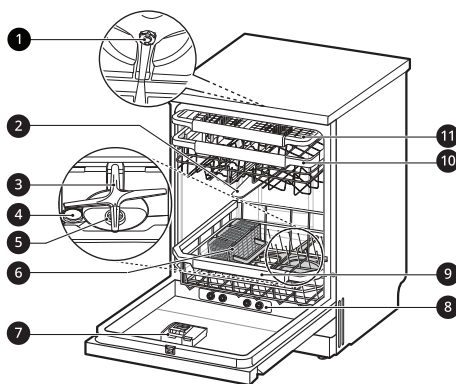
- Za namene izboljšanja kakovosti naprave se videz in specifikacije lahko spremenijo brez predhodnega obvestila.

Pogled od spredaj



- 1 Nadzorna plošča in ročaj vrat
- 2 Sprednji pokrov
- 3 Spodnji pokrov
- 4 Izravnalne nogice
- 5 Napajalni kabel
- 6 Cev za dovod vode
- 7 Odtočna cev

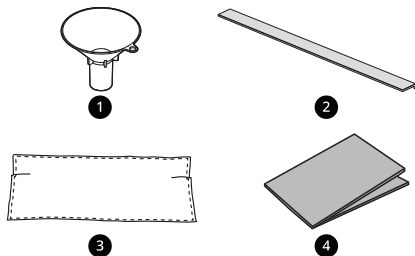
Pogled od znotraj



- 1 Zgornji tekač za pomivanje
- 2 Zgornja razpršilna roka
- 3 Spodnja razpršilna roka
- 4 Pokrovček predelka za sol
- 5 Sistem za filtracijo
- 6 Košara za jedilni pribor^{*1}
- 7 Dozirnik za detergent in sredstvo za spiranje
- 8 Parna šoba^{*1}
- 9 Spodnja polica
- 10 Zgornja polica
- 11 Polica za jedilni pribor^{*1}

^{*1} Ta funkcija je na voljo samo pri nekaterih modelih.

Dodatna oprema



- ❶ Lijak
- ❷ Trak za hrup *1
- ❸ Klobučevina pokrova
- ❹ Trak pregrade za vlago (aluminijast trak)

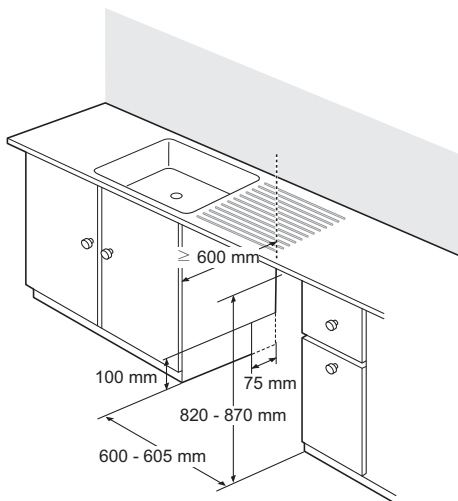
*1 Priloženi so trakovi za hrup: spodaj – 1 EA, spredaj – 1 EA, na strani – 2 EA

Specifikacije

Model	DF325*** / DF325**	DF425***
Napajanje	220 - 240 V~, 50 Hz	
Dimenzije (Širina X Globina X Višina)	600 mm X 600 mm X 850 mm	
Teža naprave	Pribl. 49 kg	Pribl. 52 kg
Najv. zmogljivost	14 pogrinjkov	
Dovoljeni tlak dovodne vode	0,05 - 0,6 MPa	
Poraba energije	1600 - 1800 W	

Priprava odpiranja omarice

Izbira prave lokacije



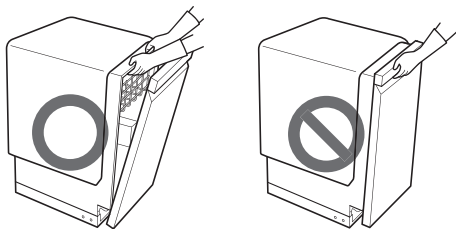
- Napravo namestite na ravna in stabilna tla.
- Na vsaki strani naredite odprtine za cevi in električne kable (približno 100 mm x 75 mm).
- Izberite lokacijo, ki je čim bližje umivalniku, da olajšate priključitev cevi za vodo in odtočnih cevi.
- Da zagotovite odtekanje, naprave ne smete namestiti več kot 1 meter stran od umivalnika.
- Če je naprava nameščena v kotu, naj bo med napravo in sosednjo omarico ali steno vsaj 50 mm prostora.
- Preden napravo potisnete v odprtino za namestitev, s pomočjo vijahnega ključa opravite vse potrebne prilagoditve višine.

⚠ POZOR

- Če napravo obdaja les, ga je treba zatesniti z vodoodporno barvo ali tesnilom, da preprečite, da se napihne.
- Pomivalni stroj previdno potisnite v omarico. Prepričajte se, da odtočna cev za strojem in v omarici ni prepognjena ali raztegnjena.
- Napravo namestite na ravno in stabilno površino. Med tla in podnožje oziroma nogo naprave ne postavljajte nobenih predmetov.

OPOMBA

- Namestitev mora opraviti usposobljen serviser, da zagotovite pravilno izvedbo.
- Naprave ne vlecite in ne dvigujte za ročaj. V nasprotnem primeru lahko poškodujete vrata ali tečaje. Če želite napravo premakniti ali dvigniti, odprite vrata ter primite okvir vrat in zgornjo sprednjo odprtino kadi.



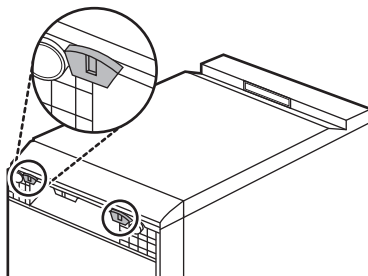
- Vrat pomivalnega stroja ne potiskajte s koleni.



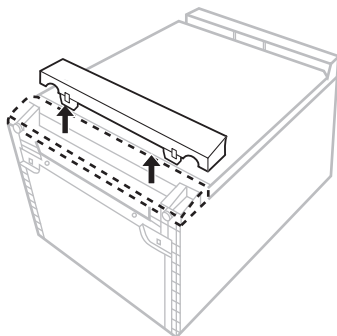
Nameščanje traku na podnožje naprave

Za zmanjšanje hrupa na podnožje naprave namestite trak.

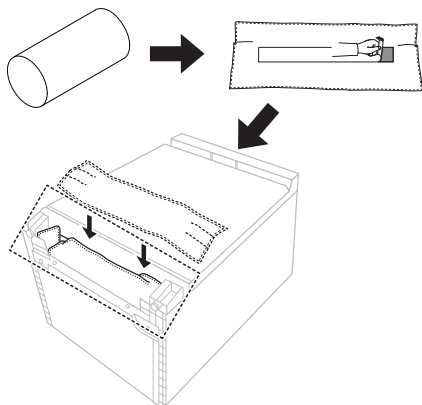
- 1 Napravo položite na tla in povlecite oba kavlja na dnu spodnjega pokrova.



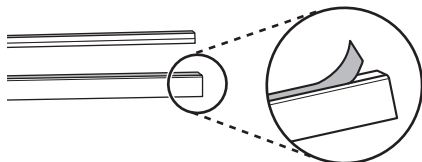
- 2** Spodnji pokrov povlecite in ga odstranite.



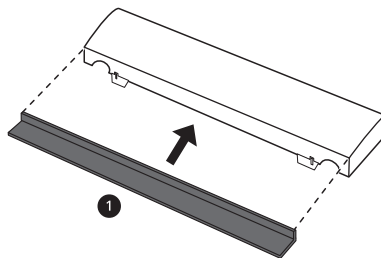
- 3** Odstranite obojestranski lepilni trak, ki se nahaja na hrbtni strani klobučevine, in ga pritrdite na sprednjo stran spodnjega dela naprave.



- 4** S spodnjega in sprednjega traku odstranite obojestranski lepilni trak.

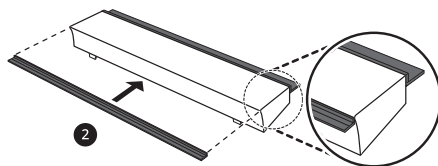


- 5** Črn spodnji trak **1** pritrdite na spodnji del spodnjega pokrova.

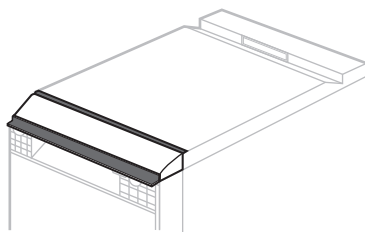


- 6** Črn sprednji trak **2** pritrdite na zgornji del spodnjega pokrova.

- Dolžina sprednjega traku je daljša od spodnjega pokrova. Sprednji trak pritrdite na način, da je podaljšani del enako dolg na obeh straneh spodnjega pokrova.



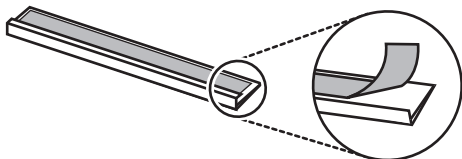
- 7** Spodnji pokrov s trakom pritrdite na napravo.



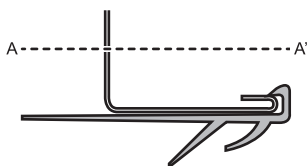
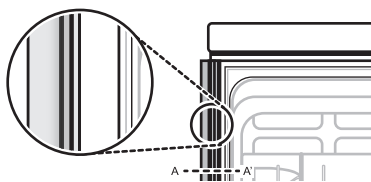
Nameščanje traku na stransko omarico naprave

Za zmanjšanje hrupa trak namestite na stranske dele naprave, če je dovolj prostora.

- 1** S stranskih trakov odstranite obojestranski lepilni trak.



- 2** Stranski trak pritrdite na sprednji del stranske omarice in ga nato potisnite navzdol, tako da se dobro prilepi na omarico.

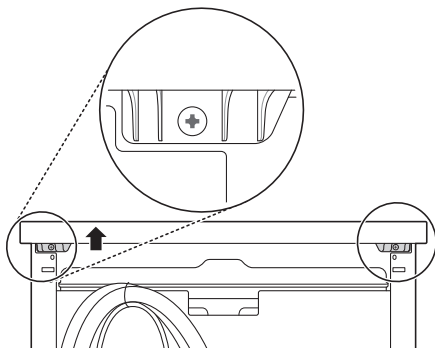


- 3** Za pritrditev stranskega traku na drugo stran omarice ponovite zgornje korake.

Odstranjevanje zgornjega pokrova

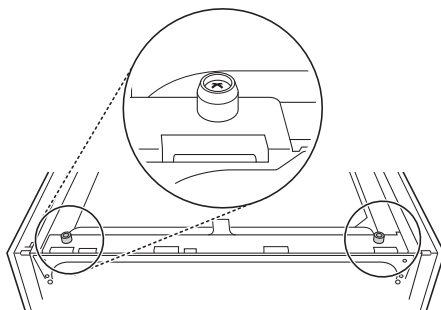
Če je višina odprtine manjša od 850 mm, upoštevajte naslednja navodila.

- 1** Odstranite 2 vijaka na hrbtni strani.



- 2** Ko odstranite vijaka, zgornji pokrov povlecite nazaj in nato navzgor, da ga odstranite.

- 3** S pomočjo izvijača Phillips odstranite zatiče za določanje položaja na zgornjem delu.



OPOMBA

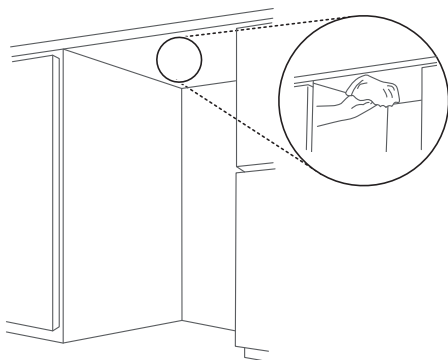
- Ko je naprava pravilno poravnana, ne smete opaziti nagiba, zatikanja ali zvoka drgnjenja pri odpiranju vrat.

Nameščanje traku za preprečevanje vlage

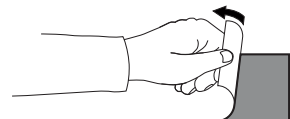
Kadar je naprava nameščena brez zgornjega pokrova, lahko para ali kondenzacija, ki izhaja, kadar so vrata odprta, poškoduje spodnjo stran pulta.

- Na spodnjo stran pulta namestite trak za preprečevanje vlage, da pult zaščitite pred kondenzacijo, kadar je naprava odprta.

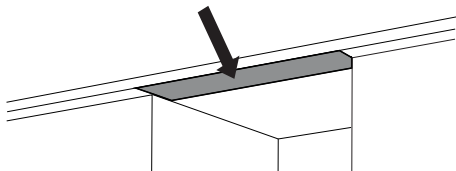
- 1** Spodnjo stran pulta, na katero boste namestili trak, očistite in posušite.



- 2** S traku odstranite zaščitno folijo.



- 3** Trak namestite na spodnjo stran pulta.



OPOMBA

- Trak za preprečevanje vlage je priložen v torbi za ročno sestavljanje.
- Če je pult izdelan iz granita ali vodoodpornih materialov, traku za preprečevanje vlage ni treba nameščati.
- Kadar je temperatura v prostoru nizka, se lahko na spodnji strani ali vzdolž sprednjega roba pojavi kondenzacija.

Poravnava naprave

Preverjanje poravnave

Poravnava naprave preprečuje nepotrebno puščanje in slabo pranje. Po namestitvi preverite, ali je naprava popolnoma poravnana.

- Če se ob diagonalnem potisku zgornje plošče naprava ziba, ponovno nastavite noge.

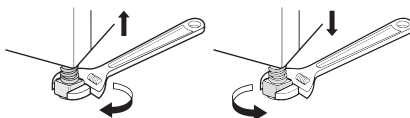
OPOMBA

- Če pri odpiranju vrat slišite drgnjenje ali se vrata zatikajo, naprava ni poravnana.

Nastavljanje in poravnava naprave

Kadar naprava ni popolnoma poravnana, zasučite izravnalne nogice, dokler se naprava ne maje več.

- Izravnalne nogice obrnite v smeri urnega kazalca, da napravo dvignete, ali v nasprotni smeri, da napravo spustite od spredaj nazaj, z ene na drugo stran in od kota do kota.



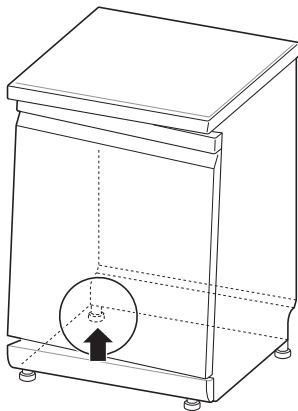
OPOMBA

- Napravo postavite na trdna in ravna tla.
- Naprave ne nameščajte na dvignjeno površino.

1. primer: vrata so nagnjena v desno.

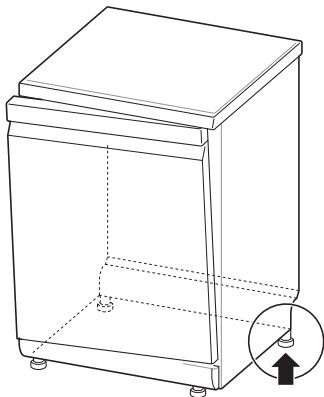
- 1** Odvijte (v nasprotni smeri urnega kazalca) zadnjo levo nogico, da napravo poravnate.

- 2** Preverite odpiranje vrat in po potrebi postopek ponovite, dokler se vrata ne odpirajo in zapirajo ustrezno.



2. primer: vrata so nagnjena v levo.

- 1** Odvijte (v nasprotni smeri urnega kazalca) zadnjo desno nogico, da napravo poravnate.
- 2** Preverite odpiranje vrat in po potrebi postopek ponovite, dokler se vrata ne odpirajo in zapirajo ustrezno.



Namestitev odtočne cevi

Če se odtočna cev ne prilega odtočnemu vodu, uporabite komplet za razširitev odtoka (izbirno), ki je odporen na vročino in detergent.

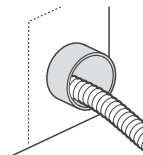
- Dobili ga boste v trgovini z vodovodnim materialom ali v železnini.

Priključitev na pipo za odpadno vodo

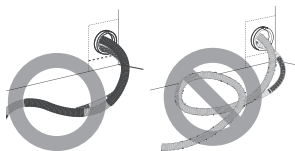
Ob prvi namestitvi preverite pipo za odpadno vodo. Kadar odtok za odpadno vodo pod umivalnikom ni ustrezno izvrtan, se lahko pojavi napaka E. Za priključitev odtočne cevi v pipo za odpadno vodo izvajate odprtino s premerom vsaj 15 mm, šele nato opravite priključitev.

⚠ POZOR

- Po končanem vrтанju poskrbite, da plastični ostanki ne ostanejo v pipi.
- Odprtine za odpadno vodo ne poskušajte odpreti s pomočjo izvijača in kladiva. S tem boste povzročili, da se ostanki zagostijo in povzročijo okvaro.
- Pri napeljevanju cevi skozi odprtine omarice bodite previdni, saj imajo odprtine lahko ostre robove in lahko poškodujejo cevi. Robove zgladite ali speskatite, da preprečite poškodbe odtočne ali dovodne cevi.



- Prepričajte se, da cev ni prepognjena ali ostro zavita.

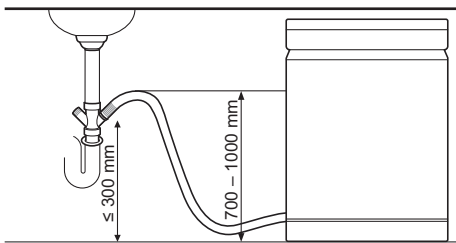


- Preden konec cevi speljete skozi odprtino za dovod vode, se prepričajte, da je cev ravna.

Da preprečite prelivanje, uporabite eno izmed naslednjih metod.

1. metoda

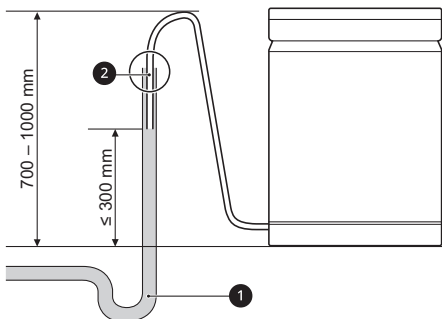
Ko je odtočna cev priključena na pipo za odpadno vodo, mora biti cev ovita navzgor do zgornjega dela pulta in zavarovana.



2. metoda

Kadar je odtočna cev priključena na ločeno stoječo cev ①, je ključnega pomena, da ustvarite nepredušni priključek ②. V nasprotnem primeru se lahko pojavijo neprijetne vonjave.

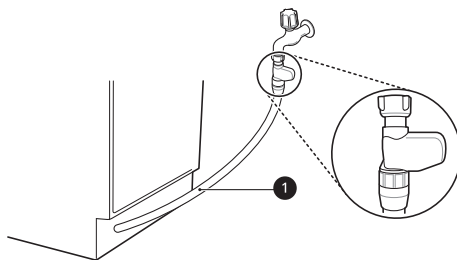
- Premer stoječe cevi je najmanj 40 mm.



Priprava vodnih in električnih priključkov

Povezovanje cevi na vodovodno pipo

Cev za dovod vode ① priključite na vodovodno pipo.

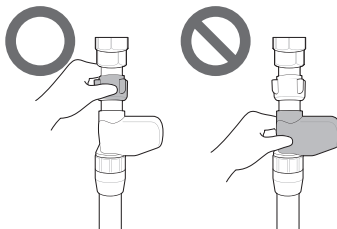


⚠ OPOZORILO

- Cevi za dovod vode ne skrajšajte ali poškodujte, saj vsebuje električne žice in sestavne dele. Za namene nameščanja naprave je s slednje ni mogoče odklopiti ali odstraniti.
- Pomembno je, da ne posegате v cev za dovod vode, da je ne režete, razstavlјate, vlečete ali prepogibate. V notranjosti ima električno ožičenje, ki lahko v primeru poškodbe povzroči električno nevarnost.

⚠ POZOR

- Za pritvje cevi za dovod vode na pipo uporabite samo navojno matico.
- Ko cev za dovod vode priključujete na pipo, je ne zvijajte ali prepogibajte.



⚠ POZOR

- V to napravo lahko dovajate toplo ali hladno vodo. Če temperature vode na priključku za vodo ne morete ohranjati pod 65 °C, napravo priključite na hladno vodo.
- Da preprečite puščanje vode, uporabite tesnilni trak ali tesnilno spojino.
- Prepričajte se, da cev ni prepognjena ali ostro zavita.

OPOMBA

- Pred priključitvijo vodovodne cevi na pipo odprite pipo, da splaknete tujke (nesnago, pesek, žagovino) v vodnih ceveh. Voda naj odteka v vedro.
- Prvo dovajanje vode traja približno 3–4 minute.

Napeljava električnega ožičenja

Napravo priključite na ozemljeno vtičnico v skladu s trenutnimi predpisi o ožičenju. Vtičnica naj bo zaščiten z najmanj 15-amperskim prekinjevalcem električnega tokokroga ali varovalko s časovnim zamikom.

Ožičenje mora biti sestavljeno iz dveh žic z ozemljitvijo.

Napajalni kabel se ne sme nahajati za napravo, pač pa znotraj 1,2 metra od stranice, tako da je vtič zlahka dostopen.

⚠ OPOZORILO

- Pred nameščanjem za ohranjanje osebne varnosti odstranite hišno varovalko ali odprite prekinjevalec električnega tokokroga oziroma izklopite napajalni vtič.
- Ne uporabljajte podaljška ali dvojnega adapterja.
- Vtič priključite v ustrezno vtičnico, ki je pravilno nameščena in ozemljena v skladu z vsemi lokalnimi predpisi ter odloki.
- Popravila naprave naj opravlja le usposobljeno servisno osebje. Popravila, ki jih izvajajo neizkušene osebe, lahko povzročijo poškodbe ali

resne okvare. Obrnite se na lokalni servisni center.

- Da preprečite električno preobremenitev, priključite ustrezen nazivni in zaščiten električni tokokrog ustrezne velikosti.

Preverjanje končne namestitve

Preizkus pomivalnega stroja

- 1** Vključite električno napajanje.
- 2** Odprite dovod vode v hiši.
- 3** Če je naprava pravilno poravnana, se morajo vrata nemoteno odpirati in zapirati brez glasnih zvokov.
- 4** Za preverjanje ustreznega delovanja in morebitnega puščanja naj naprava deluje v programu **Rinse (Izpiranje)**.

Kode napak pri preverjanju namestitve

Koda napake	Možen vzrok in rešitev
0E	<p>Odtočna cev je prepognjena ali stisnjena.</p> <ul style="list-style-type: none"> • Odtočne in dovodne cevi speljite skozi odprtino pod umivalnikom. Nato pomivalni stroj počasi potisnite v omarico, medtem ko vlečete cevi pod umivalnikom, da preprečite ohlapnost cevi. S tem preprečite prepogibanje cevi oziroma ujetje cevi pod pomivalni stroj.
	<p>Pipa za odpadno vodo pod umivalnikom je zamašena.</p> <ul style="list-style-type: none"> • Izvrtajte pipo za odpadno vodo pod umivalnikom.
1E	<p>Cev za dovod vode je prepognjena pod umivalnikom.</p> <ul style="list-style-type: none"> • Odtočne in dovodne cevi speljite skozi odprtino pod umivalnikom. Nato pomivalni stroj počasi potisnite v omarico, medtem ko vlečete cevi pod umivalnikom, da preprečite ohlapnost cevi. S tem preprečite prepogibanje cevi oziroma ujetje cevi pod pomivalni stroj.
	<p>Cev za dovod vode ni odprta.</p> <ul style="list-style-type: none"> • Odprite vodo. Vodni tlak je lahko previsok ali prenizek.

DELOVANJE

Pred uporabo

Ta model vsebuje mehčalec vode za mehčanje trde vode.

- 3 Na traku preverite trdoto vode, pri tem pa glejte ovojnino.

OPOMBA

- Napravo je mogoče uporabljati brez soli za pomivalni stroj, če ni potrebna, toda stopnjo trdote je treba nastaviti na H0, tako da ikona ne ostane prižgana.
- Za zagotavljanje zadovoljivih rezultatov izpiranja morate uporabljati mehko vodo, tj. vodo, ki vsebuje malo ali nič vodnega kamna. V nasprotnem primeru bodo na posodi in v notranjosti naprave ostali madeži.
- Če voda na pipi presega določeno stopnjo trdote, jo je treba zmehčati, tj. odstraniti kalcij. To dosežemo z dodajanjem soli za pomivalni stroj v mehčalec vode znotraj naprave. Zahtevana količina soli je odvisna od trdote vode.

Preverjanje trdote vode

1. metoda

- 1 Preverite trdoto vode na svojem območju. Pri tem vam lahko pomaga podjetje za oskrbo z vodo.

- 2 Stopnjo sistema za mehčanje vode naprave nastavite glede na trdoto vode.

2. metoda

Trdoto vode lahko preverite s pomočjo testnega traku, priloženega izdelku.

- 1 Vsa reakcijska območja testnega traku pomočite v vodo za približno eno sekundo. Tega ne naredite pod tekočo vodo.
- 2 S traku otresite odvečno vodo in počakajte 1 minuto.

Tabela trdote vode

Trdota vode							Stopnja mehčanja	Razmerje* ¹
ppm	°d	°e	°f	mmol/l (Ca+Mg)	mg/l (Ca)	Razpon		
0	<4	<5	<7	<0,7	<29	Mehka	H0	-
75	4 - 7	5 - 9	7 - 13	0,7 - 1,3	29 - 50		H1	01:24
125	7 - 14	9 - 17,5	13 - 25	1,3 - 2,5	50 - 100		H2	1:7
250	14 - 21	17,5 - 26	25 - 38	2,5 - 3,8	100 - 150		H3	1:4
375	>21	>26	>38	>3,8	>150	Trda	H4	2:1

*1 Število regeneracij mehčalca vode *2: število programov pomivanja *3

*2 Regeneracija mehčalca vode se odvije ob koncu glavnega pranja glede na program **Eco**.

*3 Program pranja sestoji iz 4 dejanj (predpranje, glavno pranje, spiranje, ogrevalno spiranje) glede na program **Eco**.

Nastavitev sistema za mehčanje vode

Za učinkovite rezultate pomivanja prilagodite nastavitev glede na stopnjo trdote vode, ki jo uporabljate v dovodu vode. Mehčalec vode ima 5 stopenj nastavitve in naprava je tovarniško programirana za stopnjo trdote vode H2. Privzeto vrednost nastavitve lahko preverite in nastavite v skladu z naslednjimi koraki:

1 Istočasno pritisnite gumba **Vklop** in **Half Load (Polovično polnjenje)**.

- Prikaže se trenutna vrednost nastavitve.

2 Pritisnite gumb **Delay Start (Zamik zagona)** in nato nastavite zeleno vrednost.

- Razpon nastavitve je med H0 in H4.

3 Pritisnite gumb **Start (Zagon)**, da shranite nastavitev.

- Po shranjevanju se napajanje izklopi.

OPOMBA

- Ikona **Salt Refill (Dodajanje soli)** zasveti, da opozori, da v sistemu mehčanja ni soli.
- Če je nastavitev trdote H0, ikona ne zasveti kljub pomanjkanju soli.

Polnjenje soli za pomivalni stroj

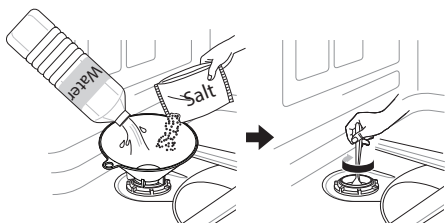
Pred zagonom programa pomivanja mora biti dozirnik soli napolnjen s soljo. Če soli ni dovolj, na zaslonu zasveti ikona **Salt Refill (Dodajanje soli)** , razen če je stopnja trdote nastavljena na H0.

⚠ POZOR

- Ko v pomivalni stroj dodate sol, morate nemudoma zagnati program izpiranja »Rinse«, da odstranite sol in slano vodo okoli notranje kadi, da preprečite korozijo.

- 1 Odstranite spodnjo polico in pokrovček dozirnika soli, ki se nahaja na levi strani filtrov.

- 2** Pred prvo uporabo naprave morate istočasno dodati 1 kg soli za pomivalni stroj in 1 liter vode, če želite uporabljati sistem za mehčanje vode. Pri dodajanju vode uporabite lijak. Glejte razdelek **Pred uporabo**.



- 3** Pokrovček ponovno namestite.

- 4** Zaženite program **Rinse (Izpiranje)** brez posode.

Cikel dodajanja soli (1 kg za vsako dodajanje)

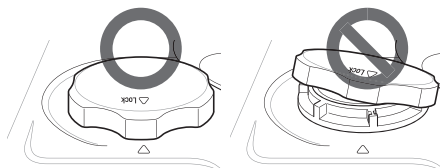
	H1	H2	H3	H4
Cikli	130	50	20	10

- Tabela vsebuje informacije o programu **Auto (Samodejno)**.
- Cikel se lahko razlikuje glede na količino dodane soli.

⚠ POZOR

- V dozirnik soli ne dodajajte detergenta, saj bo povzročil okvaro.
- Obrišite sol, ki se je raztresla okoli pokrovčka dozirnika soli. Solna raztopina lahko povzroči korozijo kadi in posode, ki jo naložite v pomivalni stroj.
- Pokrovček ustrezno privijte, tako da ga vodoravno poravnate in obrnete v smeri urnega kazalca. Slabo nameščen pokrovček lahko povzroči puščanje solne raztopine in dozirnika soli v kad in povzroči korozijo.
- Po polnjenju soli za pomivalni stroj zaženite program pomivanja brez posode, saj lahko raztresena sol v notranjosti naprave povzroči

nastanek rje ali poškodbe naprave, če ostane neoprana.



OPOMBA

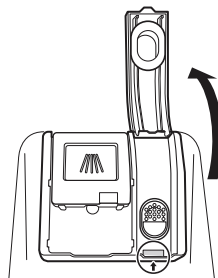
- Sol lahko kupite pri trgovcih s soljo.

Dodajanje sredstva za izpiranje

Kadar morate dodati več sredstva za izpiranje, se na zaslonu prikaže indikator **Rinse Aid (Sredstvo za izpiranje)**.

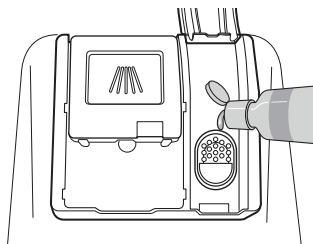
Uporaba sredstva za izpiranje je priporočena, da preprečite nastanek vodnih madežev na posodi in izboljšate rezultate sušenja.

- 1** Pokrov predelka sredstva za izpiranje odprite s pomočjo zakrilca.



- 2** Dodajte tekoče sredstvo za izpiranje do najvišjega nivoja. Sredstvo za izpiranje mora v predelku med polnjenjem mirovati, saj lahko v

nasprotnem primeru zračni mehurčki povzročijo slabe rezultate sušenja.



- 3** Zaprite pokrov, da zaklenete dozirnik. Sredstvo za izpiranje se med končnim ciklom izpiranja samodejno dovaja.

! POZOR

- Razlito sredstvo za izpiranje obrišite, da preprečite nastajanje milnice.

OPOMBA

- V napravi uporabljajte samo tekoče sredstvo za izpiranje.
- Dozirnika sredstva za izpiranje ne napolnite preveč.
- Preveč ali premalo sredstva za izpiranje lahko poslabša rezultate sušenja.
- Če sredstvo za izpiranje izteka iz dozirnika, ga obrišite. V nasprotnem primeru lahko nastane milnica, ki povzroči madeže na posodi.

Nastavitev stopnje sredstva za izpiranje

Dozirnik ima pet stopenj nastavitvev. Privzeti program je stopnja sredstva za izpiranje 2. To je mogoče preveriti in spremeniti s pomočjo gumbov na nadzorni plošči.

- 1** Poskrbite, da je naprava izklopljena.
- 2** Istočasno pritisnite gumba **Vklop** in **Dual Zone (Dvojna cona)**, da preverite trenutno nastavitev.

- 3** Pritisnite gumb **Delay Start (Zamik zagona)**, da spremenite nastavitev dozirnika sredstva za izpiranje. Z vsakim pritiskom gumba nastavitvev spremenite za en korak od L0 (izklopljeno) do L4.

- 4** Ko je zelena nastavitev dozirnika sredstva za izpiranje izbrana, pritisnite gumb **Start (Zagon)** za shranjevanje.
 - Po shranjevanju se napajanje izklopi.

! POZOR

- Če pokrov sredstva za izpiranje ni ustrezno zaprt, bo v kad iztekala velika količina sredstva za izpiranje in povzročila težave s pomivanjem.

OPOMBA

- Kadar morate dodati več sredstva za izpiranje, bo zasvetila ikona **Rinse Aid Refill (Dodajanje sredstva za izpiranje)** ✨.
- Če po pomivanju steklene posode opazite motne madeže, proge ali vodne sledi, povečajte stopnjo nastavitve.
- Previsoka nastavitev krmiljenja lahko povzroči penjenje, kar povzroči slabe rezultate pomivanja.
- Če je kozarec razmazan ali je na dnu pena, zmanjšajte stopnjo nastavitve.
- Prenizka nastavitev krmiljenja sredstva za izpiranje lahko povzroči nastanek madežev in prog na posodi ter slabe rezultate sušenja.

Pregled delovanja

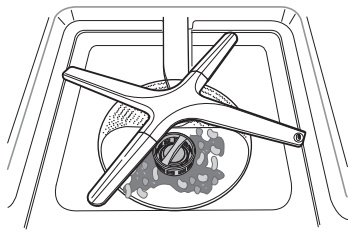
Uporaba naprave

- 1 Pritisnite gumb za Vklop.**
 - Enota se bo vklopila. Preverite indikatorje.
- 2 Preverite, ali sta v pomivalnem stroju sredstvo za izpiranje in sol.**
 - Če zasveti ustrezna ikona, dodajte sredstvo za izpiranje in sol. Za več informacij glejte razdelek **Dodajanje**.

- ☞: ikona za dodajanje soli
- ✨: ikona za dodajanje sredstva za izpiranje

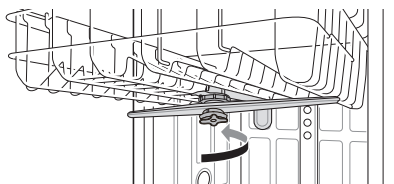
3 Odprite vrata in preverite filtre.

- Pred ali po pomivanju filter vedno očistite, da ne vpliva na rezultate pomivanja.



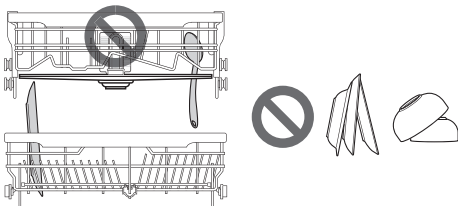
4 Prepričajte se, da se lahko razpršilne roke neovirano vrtijo.

- Prepričajte se, da se zgornje in spodnje razpršilne roke dobro vrtijo. Če se razpršilna roka ne vrti, jo odstranite in očistite.



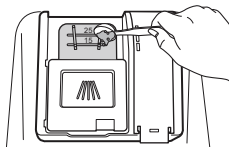
5 Posodo naložite na polico.

- Poskrbite, da na poti gibanja razpršilnih rok ni posode ali pripomočkov.
- Posode ne nalagajte drugo na drugo.



6 V dozirnik dodajte ustrezno količino detergenta v prahu.

- Če uporabljate tablete, jih lahko enostavno položite na dno kadi oziroma na spodnji del notranjih vrat.



7 Nastavite in zaženite program.

- 4 sekunde po izbiri katere koli nastavitve se bo program samodejno zagnal.

⚠ OPOZORILO

- Kadar je spodnja polica izvlečena in naložena, na zgornjo polico ničesar ne nalagajte. Neupoštevanje tega lahko povzroči telesne poškodbe, saj lahko pride do neuravnoteženja in prevrnitve naprave.
- Zgornjo polico do konca potisnite v napravo.
- Najprej izpraznite spodnjo in nato zgornjo polico. S tem boste preprečili kapljanje vode na spodnjo posodo.
- Med delovanjem naprave oziroma tik po končanem programu pranja ne odpirajte vrat, saj lahko para povzroči opekline.

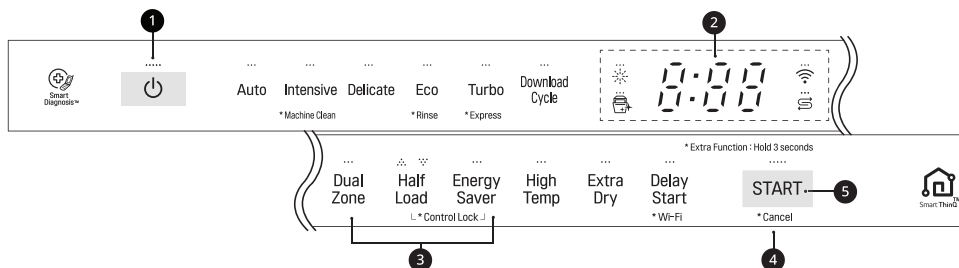
OPOMBA

- V napravi nikoli ne uporabljajte tekočega detergenta za pomivanje posode.
- Priporočamo, da posode pred pomivanjem v pomivalnem stroju ne spirate ročno, saj to poveča porabo vode in energije.
- Pomivanje namiznega pribora v gospodinjskem pomivalnem stroju v fazi uporabe običajno porabi manj energije in vode kot ročno pomivanje, v primeru da pomivalni stroj uporabljate v skladu z navodili proizvajalca.

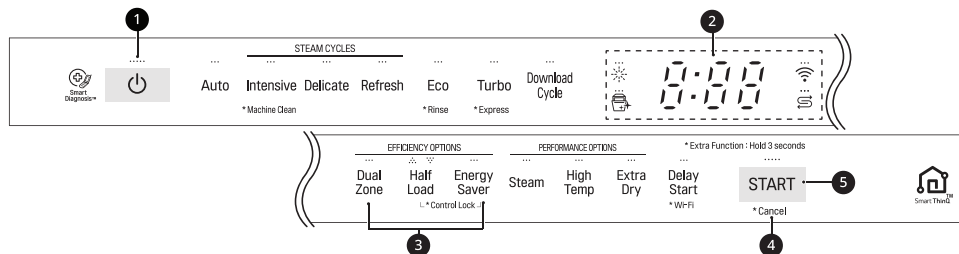
Nadzorna plošča

Funkcije nadzorne plošče

Za modele, ki ne uporabljajo pare



Za modele, ki uporabljajo paro





1 Vklp

- Pritisnite gumb **Vklp** za vklop in izklop napajanja.
- Ko je cikel zaključen, se napajanje samodejno izklopi zaradi varnosti in varčnosti.
- V primeru nihanj napetosti, izpadov elektrike ali kakršnih koli drugih motenj se napajanje zaradi varnosti samodejno izklopi.
- Ko je napajanje ponovno priključeno, se naprava samodejno vklopi in nadaljuje s ciklom.

2 Zaslou

- **8:88 : digitalni zaslon**
 - Digitalni zaslon na nadzorni plošči prikazuje OCENJENI čas cikla. Ko so izbrani cikel in možnosti, je na zaslonu prikaže skupni ocenjeni čas za dokončanje teh izbir. Med delovanjem je na zaslonu prikazan preostali ocenjeni čas delovanja.
 - Ocenjeni čas, prikazan na zaslonu, ne vključuje časovnih zamikov za segrevanje vode itd.
 - Če izberete možnost **Delay Start (Zamik zagona)**, je na zaslonu prikazan čas zamika v urah.
 - Čas cikla **Auto (Samodejno)** se lahko razlikuje glede na stopnjo umazanosti posode.
- **☀️ : ikona sredstva za izpiranje**
 - Ta ikona utripa, kadar je raven sredstva za izpiranje nizka. Lučka LED se samodejno izklopi, ko dodate sredstvo za izpiranje oziroma je raven nastavljena na 0.
- **🧼 : ikona za čiščenje stroja**

- Ta ikona utripne vsakih 30 ciklov.
- Če želite aktivirati ali deaktivirati ikono, za 3 sekunde pritisnite gumb **Delicate (Občutljivo)**.
-  : **Wi-Fi**
 - Ta ikona sveti, ko ima naprava vzpostavljeno internetno povezavo prek domačega omrežja Wi-Fi.
-  : **ikona za dodajanje soli**
 - Ta ikona utripa, kadar je raven soli nizka. Lučka LED se samodejno izklopi, ko dodate sol.

3 **Vklop/izklop zvonca**

- Če želite aktivirati ali deaktivirati zvoke gumbov, istočasno pritisnite in za 3 sekunde pridržite gumba **Dual Zone (Dvojna cona)** in **Energy Saver (Varčevanje z energijo)**. Opozorilnega zvoka za napako ni mogoče izklopiti.

4 **Cancel (Preklic)**

- Odtočna črpalka se aktivira in cikel je prekinjen. Ko naprava preneha s črpanjem, se napajanje izklopi.
- Pritisnite in za 3 sekunde držite gumb **Start (Zagon)** za aktivacijo funkcije preklica.

5 **Start (Zagon)**

- Za delovanje naprave zaprite vrata in pritisnite gumb **Start (Zagon)**.
- Če gumba **Start (Zagon)** za zagon cikla ne pritisnete v 4 minutah, se napajanje samodejno izklopi.

Cikli pomivanja

Auto (Samodejno)

Ta cikel zazna količino umazanje in čistost vode ter pomivanje optimizira za doseganje najboljših rezultatov čiščenja. Čas pomivanja se lahko razlikuje glede na stopnjo umazanosti.

Intensive (Intenzivno)

Ta cikel je primeren za zelo umazano posodo in posodo z zasušeno umazanijo. Ta cikel za pomivanje zelo umazane posode privzeto uporablja največjo intenzivnost pršenja.

Delicate (Občutljivo)

Ta cikel uporabite za čiščenje občutljivih predmetov, kot so fini porcelan in pecljati kozarci.

Refresh (Osvežitev)

Ta cikel osveži in segreje posodo, ki je že dolgo niste uporabljali.

- Pri tem ciklu ne uporabljajte detergenta.

Eco

Zagotavlja najbolj učinkovito porabo energije in vode za dobre rezultate pomivanja in sušenja normalno umazane posode in porabi zelo malo energije.

Turbo

Ta cikel bo pomil zmerno umazano posodo, vendar porabi nekoliko več energije in vode.

- Funkcija **Extra Dry (Zelo suho)** je privzeto nastavljena. Če po pomivanju posode ne želite posušiti, možnost **Extra Dry (Zelo suho)** izklopite. Cikel brez sušenja bo trajal krajši čas.

Download Cycle (Prenos programa)

Uporabite namenski cikel, ki ga je mogoče prenesti prek omrežja Wi-Fi ali NFC (odvisno od modela).

OPOMBA

- Na napravi se prikaže samo koda cikla za cikel, ki ste ga pravkar prenesli. Za kode ciklov, imena in več informacij o razpoložljivih ciklih glejte aplikacijo na pametnem telefonu.
- Privzeti cikel: P1. Lonci in ponve

Machine Clean (Čiščenje stroja)

Ta cikel je namenjen čiščenju notranjosti naprave. Cikel uporabite brez naložene posode. Cikel odstrani preostalo umazanijo, neprijeten vonj, bele madeže, vodni kamen in drugo umazanijo. Za bolj učinkovite rezultate dodajte citronsko kislino.

- Pritisnite in za 3 sekunde pridržite gumb **Intensive (Intenzivno)**, da omogočite to funkcijo.

Rinse (Izpiranje)

Ta cikel je namenjen hitremu izpiranju posode, ki je ne boste takoj pomili. Cikel spere zelo umazano posodo, da zmehča zasušeno umazanijo. Spiranje posode pomaga preprečiti nastanek neprijetnih vonjav v napravi.

- Pritisnite in za 3 sekunde pridržite gumb **Eco**, da omogočite to funkcijo.

OPOMBA

- S to možnostjo ne uporabljajte detergenta.
- Ta cikel ne vključuje sušenja.

Express (Ekspresno)

Ta cikel bo hitro očistil rahlo umazano posodo.

- Pritisnite in za 3 sekunde pridržite gumb **Turbo**, da omogočite to funkcijo.

OPOMBA

- Ta cikel ne vključuje sušenja. Za boljše sušenje izberite možnost **Extra Dry (Zelo suho)** ali drug cikel. Možnost **Extra Dry (Zelo suho)** podaljša skupni čas trajanja cikla.
- Detergenta v tabletah ne priporočamo za uporabo pri ciklu **Express (Ekspresno)**. Če uporabljate detergent v tabletah, lahko to pušča ostanke detergenta na posodi, kar je posledica relativno nizkih temperatur pri izpiranju.

Možnosti in dodatne funkcije

Izberite gumb za zeleni cikel in nato izberite možnosti za ta cikel. Za več informacij glejte razdelek **Vodič po ciklih/možnostih**.

Dual Zone (Dvojna cona)

Ta možnost samodejno nastavi intenziteto pršenja na blago pršenje za zgornjo razpršilno roko in na močno za spodnjo razpršilno roko. Za najboljše rezultate zelo umazano posodo, kot so krožniki in skleda, postavite na spodnjo polico, rahlo umazano posodo, kot so skodelice in majhni krožniki, pa na zgornjo polico.

Half Load (Polovično polnjenje)

Ta možnost omogoča intenzivno pomivanje z izbiro zgornje ali spodnje police. Če naložite le malo posode, uporabite le zgornjo ali spodnjo polico, da prihranite energijo in čas. Če pritisnete gumb **Half Load (Polovično polnjenje)**, so na voljo nastavitve ∴ (zgornji), ∴∴ (spodnji) in preklic te možnosti.

Energy Saver (Varčevanje z energijo)

Ta možnost prihrani energijo z znižanjem temperatur pomivanja in izpiranja. Čas pomivanja se podaljša za ohranjanje rezultatov pomivanja. Tega cikla ne uporabljajte za zelo umazano posodo.

Steam (Para)

Ta možnost med ciklom pomivanja doda paro za izboljšane rezultate pomivanja.

High Temp (Visoka temperatura)

Zviša temperaturo glavnega pomivanja ali ogrevanega izpiranja za izboljšano čiščenje.

- Zvonec vas bo opozoril na morebitne preostale temperature v napravi. Preden odprete vrata, počakajte, da se naprava popolnoma ohladi.

Extra Dry (Zelo suho)

To možnost izberite za boljše rezultate sušenja. Pri tej možnosti je ciklu dodan dodaten čas sušenja, zvišana pa je tudi temperatura ogrevanega izpiranja.

- Ko je sredstvo za izpiranje izpraznjeno, je ta možnost samodejno izbrana.

Delay Start (Zamik zagona)

Ta funkcija zamakne začetek izbranega cikla. Z vsakim pritiskom gumba **Delay Start (Zamik zagona)** se čas zamika poveča za eno uro. Čas zamika lahko nastavite od 1 do 12 ur v korakih po eno uro.

- Za preklic te funkcije izklopite napajanje.
- Če želite spremeniti cikel in možnost cikla, odprite vrata in nato izberite drug cikel in možnost cikla.

Control Lock (Ključavnica za zaklepanje)

Ta funkcija pomaga preprečiti spreminjanje nastavitve med ciklom. Z izbiro te funkcije se zaklenejo vsi gumbi, razen gumba **Vklop** na nadzorni plošči. Ta funkcija ne zaklene vrat.

- Pri modelih z zunanjim zaslonom med delovanjem cikla istočasno pritisnite in za 3 sekunde pridržite gumba **Half Load (Polovično**

polnjenje) in **Energy Saver (Varčevanje z energijo)**, da aktivirate ali deaktivirate to funkcijo. Pri modelih s skritim zaslonom med delovanjem odprite vrata in sledite istim navodilom.

- Ko je ta funkcija aktivirana, se bo na zaslonu prikazala koda $\square L$.
- Za začetek novega cikla to funkcijo deaktivirajte.
- To funkcijo lahko s vklopom naprave kadar koli nastavite.

Wi-Fi

Pritisnite in za 3 sekunde pridržite gumb **Delay Start (Zamik zagona)** za vzpostavitev povezave z omrežjem. Za podrobne informacije o tej funkciji glejte razdelek **PAMETNE FUNKCIJE**.

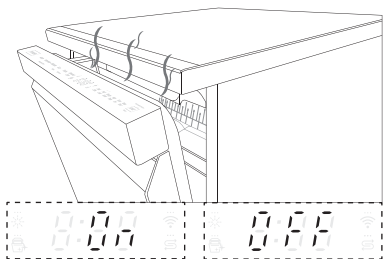
Auto Open Dry (Sušenje s samodejnim odpiranjem)

Ta funkcija se lahko razlikuje glede na model, ki ste ga kupili.

Za izboljšanje rezultatov sušenja se bodo ob koncu programa, ki vključuje sušenje, vrata samodejno odprla.

- Če želite aktivirati ali deaktivirati to funkcijo, istočasno pritisnite in za 3 sekunde pridržite gumba **Energy Saver (Varčevanje z energijo)** in **High Temp (Visoka temperatura)**.
- Ta funkcija ni na voljo, kadar izberete cikla **Machine Clean (Čiščenje stroja)** in **Rinse (Izpiranje)**.
- Ko izberete cikel **Download Cycle (Prenos programa)**, lahko ta funkcija deluje, tudi če je funkcija deaktivirana, saj je cikel **Download Cycle (Prenos programa)** zasnovan za doseganje najboljših rezultatov pri določenem namenu, ne glede na nastavitev naprave.

- Na zaslonu je prikazano, ali je funkcija vklopljena ali izklopljena.



⚠ OPOZORILO

- Kadar naprava deluje, naj se ji otroci ne približujejo. Izpostavljenost vroči pari lahko povzroči opekline.

SignalLight™

Ta funkcija se lahko razlikuje glede na model, ki ste ga kupili.

SignalLight™ prikazuje stanje naprave, če je naletela na težavo, če deluje normalno oziroma če je pripravljena na pomivanje posode.

- V odvisnosti od modela se lahko lučka nahaja na sprednji strani naprave ali na zgornjem delu vrat.

Rdeča (levo)

Rdeča lučka utripa, ko naprava naleti na težavo. Za več informacij o napaki glejte razdelek **Koda napake** v razdelku **ODPRAVLJANJE TEŽAV**.

Bela (na sredini)

Bela lučka utripa, ko izberete izbirni cikel oziroma ko je cikel začasno ustavljen.

- Bela lučka zasveti, ko je cikel v teku.

Zelena (desno)

Zelena lučka sveti, ko je cikel zaključen. Ko odprete vrata, lučka ugasne.

- Če naprava ne zazna, da so vrata odprta, se lučka izklopi čez 90 sekund.

Tabela programov

Vodnik po programih

Pri modelih DF425***

Program	Stopnja umazano sti	Pranje		Izpiranje		Dry (Sušenje)
		Pre-wash (Predpranje)	Glavno pomivanje	Izpiranje	Ogrevano izpiranje	
Auto (Samodejno)	Vse stopnje	●	● (65 - 70 °C)	●	● (62 °C) ^{*1} (70 °C) ^{*2}	●
Intensive (Intenzivno)	Zelo umazano	●	● (75 °C)	●	● (62 °C) ^{*1} (70 °C) ^{*2}	●
Delicate (Občutljivo)	Rahlo umazano	●	● (55 °C)	●	● (62 °C) ^{*1} (70 °C) ^{*2}	●
Refresh (Osvežitev)^{*1}		●		●	● (62 °C) ^{*1} (75 °C) ^{*2}	●
Eco	Zmerno umazano	●	● (46 °C) ^{*1} (42 °C) ^{*2}	●	● (54 °C) ^{*1} (64 °C) ^{*2}	●
Turbo	Zmerno umazano	●	● (65 °C)	●	● (62 °C) ^{*1} (65 °C) ^{*2}	
Express (Ekspresno)	Rahlo umazano	●	● (45 °C)	●	● (62 °C) ^{*1} (60 °C) ^{*2}	
Rinse (Izpiranje)	Rahlo umazano			●		
Machine Clean (Čiščenje stroja)		●	● (50 °C)	●	● (70 °C)	●

*1 Funkcija sušenja s samodejnim odpiranjem je vključena.

*2 Funkcija **sušenja s samodejnim odpiranjem** je izklopljena.

OPOMBA

- Čas delovanja je lahko odvisen od temperature vode, temperature okolice, vodnega tlaka in napetosti.
 - Vrednosti za programe, razen za eko program, so samo informativne.
 - Ko je funkcija **sušenja s samodejnim odpiranjem** aktivirana, se lahko temperatura ogrevanega izpiranja spreminja.
-

Pri modelih DF325***/DF325**

Program	Stopnja umazanosti	Pranje		Izpiranje		Dry (Sušenje)
		Pre-wash (Predpranje)	Glavno pomivanje	Izpiranje	Ogrevano izpiranje	
Auto (Samodejno)	Vse stopnje	●	● (65 - 70 °C)	●	● (70 °C)	●
Intensive (Intenzivno)	Zelo umazano	●	● (75 °C)	●	● (70 °C)	●
Delicate (Občutljivo)	Rahlo umazano	●	● (55 °C)	●	● (70 °C)	●
Refresh (Osvežite v)*¹		●		●	● (75 °C)	●
Eco	Zmerno umazano	●	● (42 °C)	●	● (64 °C)	●
Turbo	Zmerno umazano	●	● (65 °C)	●	● (65 °C)	
Express (Ekspresno)	Rahlo umazano	●	● (45 °C)	●	● (60 °C)	
Rinse (Izpiranje)	Rahlo umazano			●		
Machine Clean (Čiščenje stroja)		●	● (50 °C)	●	● (70 °C)	●

*1 Za modele, ki uporabljajo paro

OPOMBA

- Čas delovanja je lahko odvisen od temperature vode, temperature okolice, vodnega tlaka in napetosti.
- Vrednosti za programe, razen za eko program, so samo informativne.

Predpis za Evropo (za modele DF425*)**

Program	Poraba vode *1	Poraba energije (kWh) *1	Trajanje (min) *1
Auto (Samodejno)	12,9	0,91 - 0,97	162
Intensive (Intenzivno)	23,1	1,60	185
Delicate (Občutljivo)	16,5	1,07	124
Eco	9,5	0,85	193
Refresh (Osvežitev)	10,0	0,76	120
Turbo	18,5	0,84	78
Express (Ekspresno)	9,6	0,58	56
Rinse (Izpiranje)	6,6	0,01	18
Machine Clean (Čiščenje stroja)	12	0,78	83

*1 Funkcija **sušenja s samodejnim odpiranjem** je vklopljena.

OPOMBA

- Podani podatki se bodo razlikovali glede na posamezne pogoje.

Predpis za Evropo (za modele DF325*/DF325**)**

Program	Poraba vode	Poraba energije (kWh)	Trajanje (min)
Auto (Samodejno)	13,1	1,08 - 1,17	195
Intensive (Intenzivno)	23,9	1,76	185
Delicate (Občutljivo)	16,8	1,14	124
Eco	9,5	0,95	228
Refresh (Osvežitev)*1	9,8	0,78	66
Turbo	18,8	0,87	59
Express (Ekspresno)	12,4	0,61	38
Rinse (Izpiranje)	6,5	0,01	18
Machine Clean (Čiščenje stroja)	12,1	0,75	83

*1 Za modele, ki uporabljajo paro

OPOMBA

- Podani podatki se bodo razlikovali glede na posamezne pogoje.

OPOMBA

- Uredba EU 2019/2022, ki velja od 1. marca 2021, se nanaša na razrede energijske učinkovitosti, ki jih ureja uredba EU 2019/2017.
- Skenirajte kodo QR, ki se nahaja na energijski nalepki, dobavljeni z napravo, in zagotavlja spletno povezavo do informacij, povezanih z zmogljivostjo naprave v bazi EU EPREL. Energijsko nalepko skupaj z uporabniškim priročnikom in vsemi drugimi dokumenti, ki ste jih prejeli z napravo, shranite za kasnejšo uporabo.
- Ime modela je na voljo na tipski ploščici naprave. Odprite vrata in si oglejte desno stran vrat.
- Če želite poiskati podatke v EPREL, obiščite spletno mesto <https://eprel.ec.europa.eu> in podatke poiščite s pomočjo imena modela (velja od 1. marca 2021).

Razpoložljive možnosti

OPOMBA

- Možnost **Energy Saver (Varčevanje z energijo)** ni na voljo pri ciklu **High Temp (Visoka temperatura)** ali **Extra Dry (Zelo suho)**.
- Možnost **Delay Start (Zamik zagona)** je mogoče izbrati za vse programe pomivanja v tej tabeli.

Za modele, ki ne uporabljajo pare

Program	Dual Zone (Dvojna cona)	Half Load (Polovično polnjenje)	Energy Saver (Varčevanje z energijo)	High Temp (Visoka temperatura)	Extra Dry (Zelo suho)
Auto (Samodejno)	●	●	●	●	●
Intensive (Intenzivno)	●	●		●	●
Delicate (Občutljivo)		●	●		●
Eco	●	●	●	●	●
Turbo	●			●	●
Express (Ekspresno)	●			●	●
Rinse (Izpiranje)					
Machine Clean (Čiščenje stroja)					
Download Cycle (Prenos programa)					

Za modele, ki uporabljajo paro

Program	Dual Zone (Dvojna zona)	Half Load (Polovično polnjenje)	Energy Saver (Varčevanj e z energijo)	Steam (Para)	High Temp (Visoka temperatu ra)	Extra Dry (Zelo suho)
Auto (Samodejn o)	●	●	●	●	●	●
Intensive (Intenzivno)	●	●		●	●	●
Delicate (Občutljivo)		●	●	●		●
Refresh (Osvežitev)				●		●
Eco	●	●	●	●	●	●
Turbo	●			●	●	●
Express (Ekspresno)	●				●	●
Rinse (Izpiranje)						
Machine Clean (Čiščenje stroja)						
Download Cycle (Prenos programa)						

Informacije za preizkus

Za modele s sušenjem s samodejnim odpiranjem

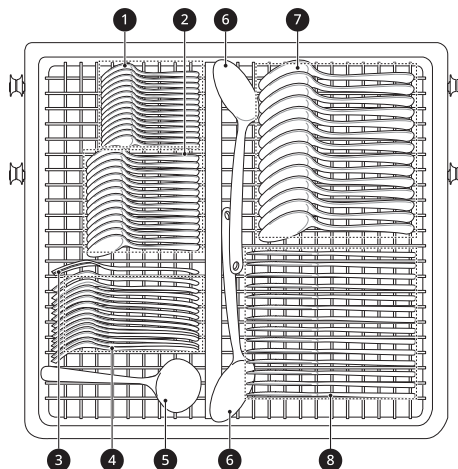
- Zmogljivost: 14 pogrinjkov
- Primerljivi program: **Eco**
- Nastavitev sredstva za izpiranje: L4
- Referenčno čistilo: 22 g detergenta v notranjost dozirnika.
- Položaj po višini nastavljive U-police: srednji
- Nastavitev **sušenja s samodejnim odpiranjem**: vklopljeno
- Vrsta filtra: ročni

Za modele brez sušenja s samodejnim odpiranjem

- Zmogljivost: 14 pogrinjkov
- Primerljivi program: **Eco**
- Nastavitev sredstva za izpiranje: L4
- Referenčno čistilo: 22 g detergenta v notranjost dozirnika.
- Položaj po višini nastavljive U-police: srednji
- Vrsta filtra: ročni

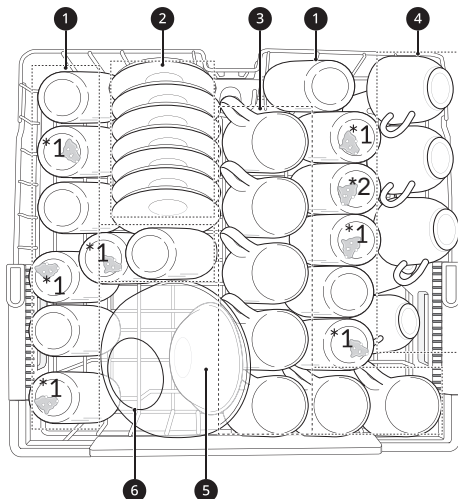
Nalaganje posode

Košara za jedilni pribor



- 1 Čajne žličke (brez umazanije)
- 2 Desertne žličke (brez umazanije)
- 3 Servirne vilice (brez umazanije)
- 4 Vilice (jajce)
- 5 Zajemalka za omako (brez umazanije)
- 6 Servirne žlice (brez umazanije)
- 7 Žlice za juho (kosmiči)
 - Umazana je vsaka druga žlica za juho.
- 8 Noži (brez umazanije)

Zgornja polica



1 Kozarci (mleko)

*1 7 kozarcev je umazanih z mlekom.

*2 Kozarec za mleko za EN60704-2-3: 2020

2 Krožnički (črni čaj)

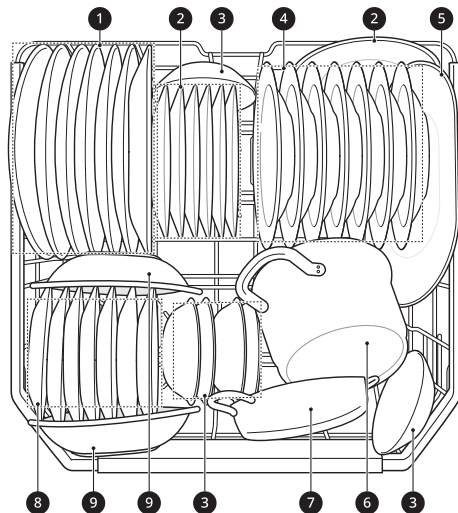
3 Lončki (črni čaj)

4 Skodelice (črni čaj)

5 Desertna posoda (kosmiči)

6 Steklena posoda (meso)

Spodnja polica



1 Jedilni krožniki (jajce)

2 Desertni krožniki iz melamina (jajce)

3 Desertne posode (kosmiči)

4 Krožniki za juho (kosmiči)

5 Ovalni pladenj (meso)

6 Majhen lonec (špinača + margarina)

7 Lonec za v pečico (meso)

8 Desertni krožniki (špinača)

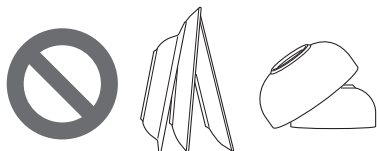
9 Posode iz melamina (margarina)

Nalaganje posode v pomivalni stroj

Za učinkovite rezultate pomivanja vedno upoštevajte navodila.

- Pred nalaganjem v pomivalni stroj s krožnikov odstranite velike kose hrane, vključno s kostmi itd. Če krožnikov ne boste takoj pomili, jih pred nalaganjem v stroj vedno sperite.
- Posode, na katere se je prijela hrana, pred nalaganjem v pomivalni stroj sperite.
- Globoko posodo obrnite navzdol.

- Plastična posoda se v primerjavi z drugimi predmeti slabše suši.
- Poskrbite, da se vsi predmeti ne dotikajo med seboj.



Predmeti, ki niso primerni za pomivanje v pomivalnem stroju

Določene predmete lahko poškoduje kombinacija visoke temperature vode in detergentov za strojno pranje. V stroju ne pomivajte naslednjih predmetov.

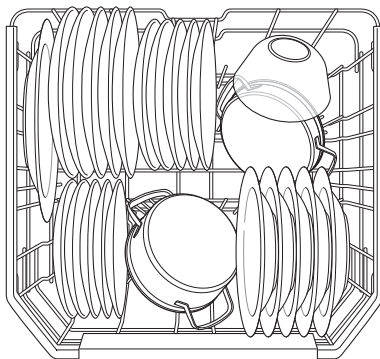
- Baker ali elektrolitsko oksidiran aluminij
- Ročno poslikano srebrno ali zlato posodje
- Leseni pripomočki
- Železni pripomočki oziroma pripomočki, ki niso odporni na rjo
- Plastični predmeti, ki niso varni za pomivanje v pomivalnem stroju
- Drago posodje, kot je srebrno posodje in posodje z zlatimi obročki
- Krhki izdelki, kot so kristalni kozarci

⚠ POZOR

- Loncev ali ponev s plastičnimi ročaji ne dajajte v pomivalni stroj, saj se lahko ročaji poškodujejo zaradi vročine in detergenta.
- Med pranjem ne bodo odstranjeni madeži, ki jih je povzročilo vodoodporno ali dolgo obstojno rdečilo za ustnice.

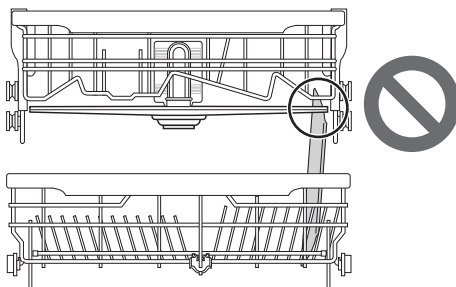
Krožniki morajo biti usmerjeni navzgor v smeri središča police, lonci, ponve in velike posode pa morajo biti obrnjene okoli.

Za lažje nalaganje večjih posod je mogoče sprednjo vrsto zobnikov zložiti navzdol.



⚠ POZOR

- Razpršilnik rok ne smejo blokirati preveliki kosi oziroma kosi, ki visijo iz košare. Nemoteno gibanje preverite z ročnim obračanjem razpršilnih rok.



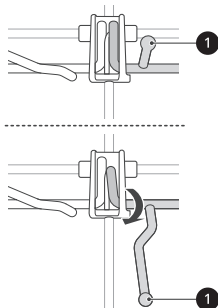
Nalaganje spodnje police

Posoda za dnevno uporabo

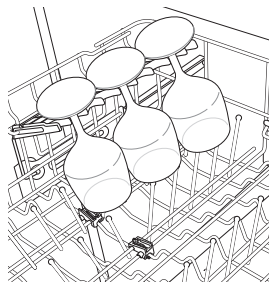
Spodnja polica je primerna za jedilne krožnike, skleda za juho, posode, lonce, pokrovke in celo pladenj za žar.

Zlaganje zobnikov police

Za zlaganje večjih posod zložite zobnike police. V primeru nalaganja manjših posod zobnike povlecite nazaj gor.



Police za skodelice nudijo podporo za kozarce z dolgimi peclji.



Levo vrsto zobnikov je mogoče zložiti navzdol oziroma je police za skodelice mogoče zložiti navzgor, da naredite prostor za visoke posode.

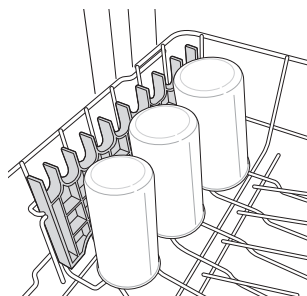
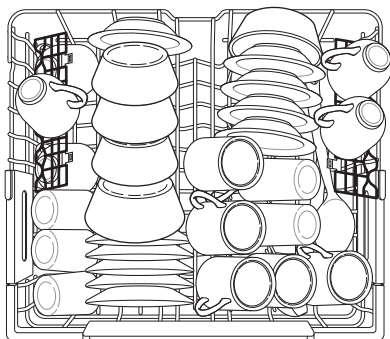
Nalaganje zgornje police

Posoda za dnevno uporabo

Zgornja polica je primerna za občutljive predmete, kot so majhni krožniki, dolg jedilni pribor, skodelice, kozarci in plastična posoda, ki je primerna za pomivanje v pomivalnem stroju.

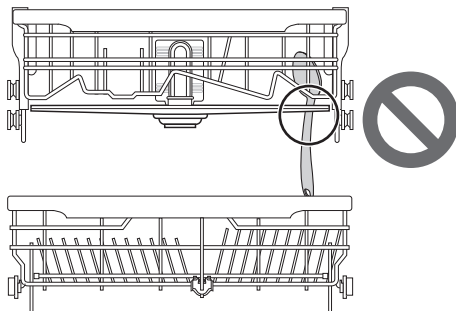
Skodelice, kozarci in sklede morajo biti obrnjeni navzdol.

Krožniki morajo biti obrnjeni navzgor.



⚠ POZOR

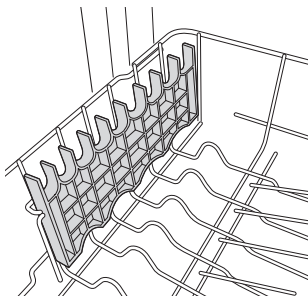
- Razpršilnik rok ne smejo blokirati preveliki kosi oziroma kosi, ki visijo iz košare. Nemoteno gibanje preverite z ročnim obračanjem razpršilnih rok.



Odstranjevanje in ponovno nameščanje polic za skodelice

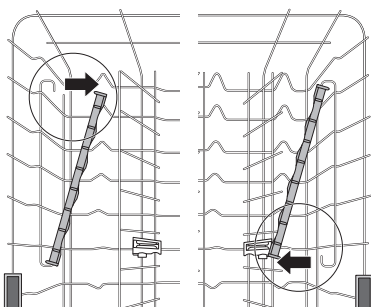
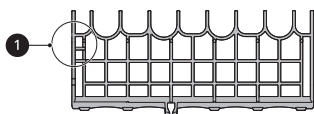
Levo in desno polico za skodelice je mogoče zamenjati med seboj in ju odstraniti.

- 1 Polico za skodelice potisnite navzdol v zaprti položaj.

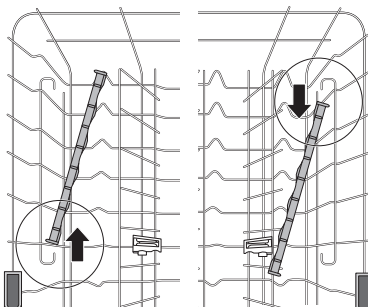


- 2 Na polici za skodelice poiščite režo sklopa ❶ in na zadnji strani polico čvrsto potisnite s podpornega stebrička.

- Polica na levi izskoči na zadnji strani. Polica na levi izskoči na sprednji strani.



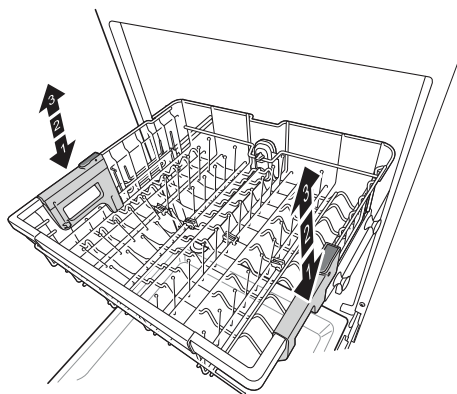
- 3 Polico za skodelice povlecite s podpornega stebrička na nasprotni strani.



- 4 Za ponovno namestitev police za skodelice ponovite korake v obratnem vrstnem redu.

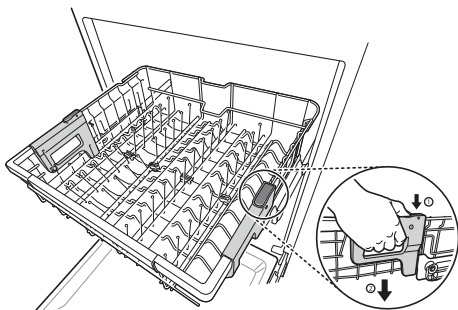
Po višini nastavljiva zgornja polica

Višino zgornje police je mogoče prilagoditi, kadar nanjo nalagate kozarce s pečlji ali visoko posodje. Na voljo so trije različni položaji za nastavitev višine zgornje police, s čimer ustvarite več prostora.



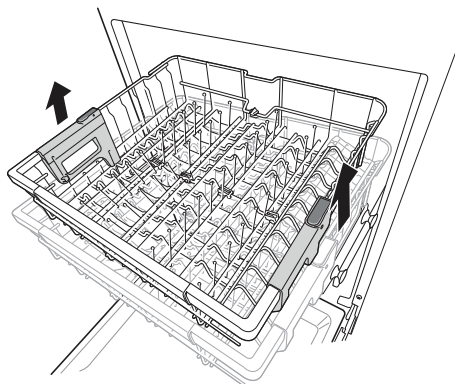
Znižanje police

Polico držite na sredini obeh strani, da podprete njeno težo. Nato pritisnite gumb na vsaki strani, da polico sprostite in jo spustite v nižji položaj.



Dvigovanje police

Polico dvignite na sredini vsake strani, da se zaklene na mesto v zgornjem položaju. Če želite dvigniti polico, vam ni treba dvigniti zaklepnih ročic.



Možne velikosti krožnikov glede na položaj zgornje police

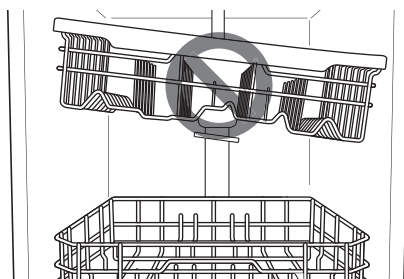
Položaj zgornje police	Velikost krožnika (mm)		
	Zgornja polica		Spodnja polica
	s polico za jedilni pribor	brez police za jedilni pribor	
Zgornji položaj	165	215	300
Srednji položaj	193	243	272
Spustite	221	271	244

⚠ OPOZORILO

- Pred nastavljanjem višine poskrbite, da na polici ni posode. V nasprotnem primeru lahko pride do poškodb posode ali telesnih poškodb.

OPOMBA

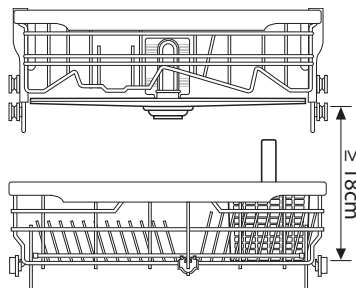
- Zgornjo polico dvignite, ne da bi pritisnili gumba na obeh straneh. Če gumba pritisnete, medtem ko dvigate polico, se polica ne bo zaklenila v položaj.
- Če želite polico nastaviti v srednji položaj, bo morda lažje, če polico povsem spustite in nato vsako stran police posebej dvignete, da se zaklene na mesto.



- Če zgornjo polico prestavite v spodnji položaj, pridobite 56 mm višine.
- Ko nastavite nivoje police, preverite, ali se razpršilne roke prosto vrtijo.

- Kadar je zgornja polica v spodnjem položaju, preverite, ali spodnji del zgornje police, vključno z razpršilno roko, ne ovira predmetov na spodnji polici.
- Kadar je zgornja polica v spodnjem položaju, najprej v stroj potisnite zgornjo polico in nato še spodnjo.
- Iz stroja najprej izvlecite spodnjo polico in nato še zgornjo.
- Kadar je zgornja polica v spodnjem položaju, se možna višina posode razlikuje glede na modele, v primeru, da je nameščena polica za jedilni pribor.

- Pribor ne sme biti daljši od 18 cm.

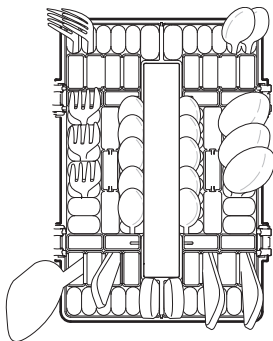


Nalaganje košare za jedilni pribor

Posoda za dnevno uporabo

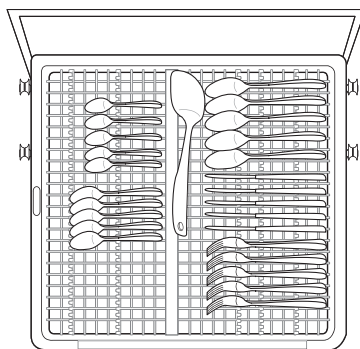
Za velike pripomočke, kot so metlice, je pokrov mogoče odpreti tako, da ga snamete s tečajev.

Vilice in žlice postavite v košaro za pribor, tako da so ročaji obrnjeni navzdol.



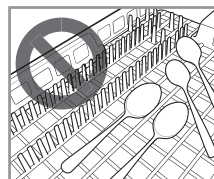
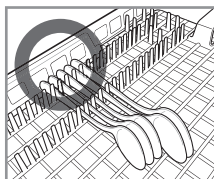
Nalaganje police za jedilni pribor

Polica za jedilni pribor je najbolj primerna za ravno posodo ter večino pripomočkov za kuhanje ali serviranje. Sem lahko postavite tudi majhne posode za pripravo hrane in pokrove. Ločevalniki na polici za jedilni pribor pomagajo ohraniti pripomočke ločene, da preprečite poškodbe in izboljšate čiščenje.



⚠ OPOZORILO

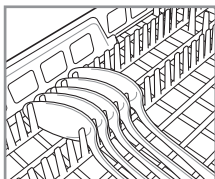
- Da preprečite telesne poškodbe, nože in druge ostre pripomočke položite na košaro za pribor.
- Če jih želite naložiti v košaro za pribor, ostre dele obrnite navzdol.



⚠ POZOR

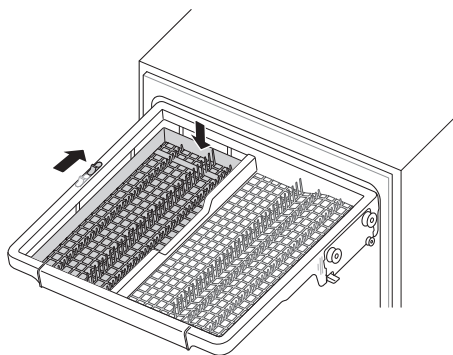
- Poskrbite, da ne bodo ovirali vrtenja razpršilnih rok.

Če so ročaji vašega jedilnega pribora predebeli, kose obrnite okoli, tako da so ročaji usmerjeni v nasprotno smer.



Po višini nastavljen pladenj

Pladenj na levi strani je mogoče nastaviti v višji ali nižji položaj, tako da ustreza pripomočkom ali jedilnemu priboru različnih velikosti. Pred prilagajanjem višine pladnja odstranite posodo in pladenj nastavite, tako da potisnete ročico.



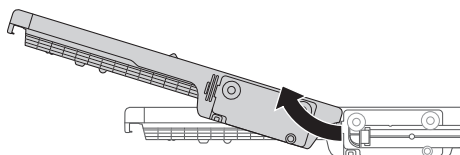
Odstranjevanje police za jedilni pribor

Če na zgornji polici potrebujete več prostora za večje predmete, lahko celotno polico za jedilni pribor odstranite.

Pred premikanjem police z nje vedno odstranite jedilni pribor.

Polico izvlecite do konca vodila. Nato sprednji del police dvignite, tako da se valji umaknejo z zapore

na koncu vodila. Polico lahko sedaj potisnete naprej in odstranite z vodil.



⚠ OPOZORILO

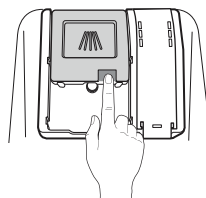
- Pri nalaganju in odstranjevanju predmetov z ostrimi robovi bodite previdni. Da zmanjšate nevarnost za telesne poškodbe, naj bodo rezila nožev usmerjena navzdol.

Dodajanje sredstev za čiščenje

Dodajanje detergenta v dozirnik

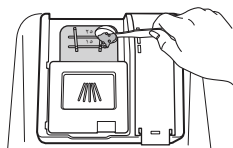
- Pred prvo uporabo naprave z dozirnika odstranite nalepko.
- Količina potrebnega detergenta je odvisna od cikla, števila posode in stopnje umazanosti posode.
- Pred začetkom katerega koli cikla, razen cikla **Rinse (Izpiranje)**, v predal za detergent dodajte detergent.

- 1 Pritisnite gumb na pokrovu dozirnika, da odprete pokrov.

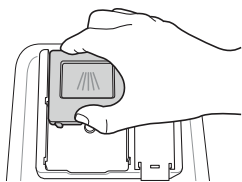


- 2 Detergent za pranje posode dodajte v glavni predalček za pomivanje, tako da nivo sega med oznaki 15 in 25.
 - Detergent nalijte prek oznake 25, če imate trdo vodo oziroma je posoda zelo umazana.

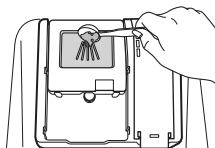
- Detergent nalijte do oznake 15, če imate mehko vodo oziroma je posoda rahlo umazana.



- 3** Namestite pokrov predalčka za detergent in ga potisnite, da se zaskoči.



- 4** Če želite opraviti predpranje, z detergentom napolnite tudi predalček za predpranje na pokrovu.



Program	Količina detergenta
	Glavno pomivanje (dozirniki)
Auto (Samodejno)	20 g
Intensive (Intenzivno)	20 g
Delicate (Občutljivo)	20 g
Refresh (Osvežitev)	-
Eco	22 g
Turbo	20 g
Download Cycle (Prenos programa)	20 g
Machine Clean (Čiščenje stroja)	20 g

Program	Količina detergenta
	Glavno pomivanje (dozirniki)
Rinse (Izpiranje)	-
Express (Ekspresno)	20 g

⚠ OPOZORILO

- Detergent za pomivanje posode in sredstvo za izpiranje vsebujeta kemične sestavine, tako kot vsi gospodinjiski detergentski, zato ju morate hraniti izven dosega otrok.

⚠ POZOR

- Uporabljajte le detergent, namenjen strojnemu pomivanju posode. Napačen detergent lahko povzroči, da se naprava med delovanjem napolni z milnico. Preveč milnice lahko poslabša rezultate pomivanja in povzroči puščanje naprave.
- Da preprečite poškodbe naprave, vrat naprave ne zapirajte z vlečenjem dozirnika.



- Uporaba neustreznega detergenta in sredstva za izpiranje lahko povzroči poškodbe, korozijo, slabe rezultate pomivanja, slabo sušenje ali puščanje.
- Uporabljajte le detergent in sredstvo za izpiranje, ki ustrezata standardom. Uporaba neodobrenega detergenta in sredstva za izpiranje lahko predstavlja tveganje za poškodbe, korozijo, slabe rezultate pomivanja, slabo sušenje in puščanje.
- Če uporabite preveč detergenta, lahko nastane preveč milnice. To lahko povzroči iztekanje milnice in nastanek madežev na posodi v pomivalnem stroju.

OPOMBA

- Preveč detergenta lahko na posodi in kadi pusti plast, ki povzroči slabe rezultate pomivanja.
- Po pomivanju preverite, ali je bil detergent popolnoma spran.
- Nekatere tablete z detergentom lahko zaradi prevelike velikosti obtičijo v dozirniku. Pred začetkom cikla lahko tableto namestite na podnožje kadi poleg filtra.
- V napravi nikoli ne uporabljajte tekočega detergenta za pomivanje posode.
- Detergenta v tabletah ne priporočamo za uporabo pri ciklu **Express (Ekspresno)**. Če uporabljate detergent v tabletah, lahko to pušča ostanke detergenta na posodi, kar je posledica relativno nizkih temperatur pri izpiranju.

Polnjenje

Za ohranjanje učinkovitih rezultatov sušenja sredstvo za izpiranje redno preverjajte in dodajajte. Za ohranjanje učinkovitih rezultatov pomivanja sol za pomivalni stroj redno preverjajte in dodajajte.

Preverjanje sredstva za izpiranje

Ko zasveti ikona za dodajanje sredstva za izpiranje ☼, to pomeni, da je sredstva za izpiranje skoraj zmanjkalo. Po potrebi napolnite predelek za sredstvo za izpiranje.

Preverjanje soli za pomivalni stroj

Po polnjenju soli za pomivalni stroj zaženite program pomivanja brez posode, saj lahko raztresena sol v notranjosti naprave povzroči nastanek rje ali poškodbe naprave, če ostane neoprana.

Ko zasveti ikona za dodajanje soli ⚖, to pomeni, da je soli skoraj zmanjkalo. Po potrebi napolnite predelek za sol.

⚠ POZOR

- V ohišje za mehčanje vode dodajte le sol za pomivalni stroj in ne detergenta ali druge raztopine. Če dodate slednje, bo prišlo do okvare sistema za mehčanje vode.

Uporabni nasveti

Sušenje

- Sušenje plastičnih predmetov je lahko slabše v primerjavi z drugimi predmeti.
- Za boljše sušenje lahko po končanem ciklu vrata za kratek čas odprete.

OPOMBA

- Poskrbite, da se vsi predmeti ne dotikajo med seboj.
- Če rezultati sušenja niso dobri oziroma na posodi ostanejo vodni madeži, dodajte možnost **Extra Dry (Zelo suho)** oziroma nastavite stopnjo izpiranja.
- Če uporabljate detergent v tableti (2 v 1, 3 v 1), bo morda potrebno dodatno izpiranje, kar je odvisno od količine posode. V tem primeru uporabite možnost **Extra Dry (Zelo suho)** ali nastavite stopnjo izpiranja.

Jemanje posode iz pomivalnega stroja

- Preden začnete iz pomivalnega stroja jemati posodo, se prepričajte, da se je posoda ohladila.
- Najprej izpraznite spodnjo in nato zgornjo polico. S tem boste preprečili kapljanje vode na spodnjo posodo.

⚠ OPOZORILO

- Ne izvlecite vseh naloženih polic naenkrat, saj se lahko naprava prevrne. Vsako polico izpraznite posebej.

PAMETNE FUNKCIJE

Aplikacija LG ThinQ

Aplikacija **LG ThinQ** vam omogoča, da z napravo komunicirate prek pametnega telefona.

Funkcije aplikacije LG ThinQ

Z napravo lahko komunicirate preko pametnega telefona in pri tem uporabite priročne pametne funkcije.

Spremljanje

Ta funkcija na enem samem zaslonu preverja trenutno stanje, cikel, čas delovanja možnosti in čas konca cikla.

Download Cycle (Prenos programa)

Prenesete lahko nove in specialne cikle, ki niso vključeni v osnovnih ciklih naprave.

V pomnilnik uspešno registriranih naprav lahko prenesete veliko specialnih ciklov, ki so posebej zasnovani za optimalnejšo uporabo.

Naenkrat je lahko v napravi shranjen le en cikel.

Ko je prenos cikla v napravi zaključen, ostane preneseni cikel shranjen v napravi, dokler ne prenesete novega cikla.

Opomnik za čiščenje stroja

Ta funkcija prikazuje preostalo število ciklov do zagona cikla za čiščenje bobna **Machine Clean (Čiščenje stroja)**.

Smart Diagnosis

Ta funkcija omogoča uporabne informacije za diagnosticiranje in odpravljanje težav pri posameznem načinu uporabe.

Nastavitve

Omogočajo vam, da v aplikaciji nastavite različne možnosti delovanja naprave.

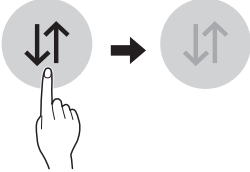
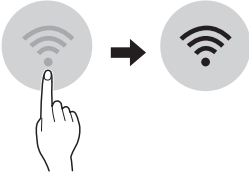
Opozorilo

Ko je cikel zaključen oziroma se pri napravi pojavijo težave, imate možnost prejemanja potisnih obvestil na pametni telefon. Obvestila se sprožijo, tudi če je aplikacija **LG ThinQ** izklopljena.


OPOMBA

- Če zamenjate brezžični usmerjevalnik, ponudnika internetne storitve ali geslo, registrirano napravo izbrišite iz aplikacije **LG ThinQ** in ponovite registracijo.
- Aplikacija je predmet sprememb in izboljšav o katerih vas ne bomo v naprej obveščali.
- Funkcije se pri različnih modelih razlikujejo.

Pred uporabo aplikacije LG ThinQ

- 1 Preverite razdaljo med napravo in brezžičnim rutarjem (Wi-Fi omrežje).
 - Če je razdalja med napravo in brezžičnim rutarjem predolga, postane moč signala šibka, morda traja dolgo časa, da se registrirate ali pa je instalacija morda neuspešna.
- 2 Na svojem pametnem telefonu izklopite **mobilne podatke ali celične podatke**.
 
- 3 Povežite vaš mobilni telefon z brezžičnim rutarjem.
 

OPOMBA

- Za potrditev povezave Wi-Fi preverite, ali na nadzorni plošči sveti ikona .
- Naprava podpira samo omrežje 2,4 GHz Wi-Fi. Da preverite frekvenco vašega omrežja, stopite v stik z dobaviteljem vaše internetne storitve ali se sklicujte na priročnik o vašem brezžičnem usmerjevalniku.
- **LG ThinQ** ne odgovarja za napake v delovanju omrežja, niti za ostale okvare ali težave glede omrežne povezave.
- Če se naprava s težavo poveže z omrežjem Wi-Fi, je mogoče preveč oddaljena od usmerjevalnika. Kupite brezžični Wi-Fi repetitor za podaljšanje dometa in izboljšanje moči signala Wi-Fi.
- Povezave z omrežjem Wi-Fi morda ni mogoče vzpostaviti ali pa je ta morda zaradi domačega omrežnega okolja prekinjena.
- Odvisno od parametrov, ki jih določa ponudnik internetnih storitev, omrežna povezava morda ne bo pravilno delovala.
- Stanje brezžičnega omrežja lahko tudi upočasnjuje delovanje storitve.
- Naprava ne more biti registrirana zaradi težav s prenosom brezžičnega signala. Izklopite napravo in počakajte približno minuto, preden ponovno poskusite. Če je omogočen požarni zid na vašem brezžičnem rutarju, ga onemogočite ali k njemu dodajte izjemo.
- Če je omogočen požarni zid na vašem brezžičnem rutarju, ga onemogočite ali k njemu dodajte izjemo.
- Ime brezžičnega omrežja (SSID) mora biti kombinacija angleških črk in številok. (Ne uporabljajte posebnih znakov)
- Vmesnik za uporabnika pametnega telefona (UI) se lahko razlikuje glede na mobilni operacijski sistem (OS) in izdelovalca.
- Če je varnostni protokol usmerjevalnika nastavljen na **WEP**, morda ne bo mogoče vzpostaviti omrežja. Prosimo, da ga spremenite v drug varnostni protokol (priporočen je **WPA2**) in izdelek ponovno registrirate.

Namestitev aplikacije LG ThinQ

Aplikacijo **LG ThinQ** poiščite v trgovini Google Play ali Apple App na pametnem telefonu. Sledite navodilom za njen prenos in namestitev.

Deaktivacija omrežne povezave

Na pametnem telefonu prekinite povezavo z domačim omrežjem Wi-Fi.

- 1 Zaženite aplikacijo **LG ThinQ**.
- 2 V aplikaciji izberite in se dotaknite možnosti **Dishwasher (Pomivalni stroj)**.
- 3 V meniju z nastavitvami izberite in se dotaknite možnosti **Delete Product (Izbriši izdelek)**, da prekinete povezavo.

Specifikacije brezžičnega modula LAN

Model	LCW-003
Frekvenčni obseg	2412 do 2472 MHz
Izhodna moč (maks.)	IEEE 802.11b: 18.37 dBm IEEE 802.11g: 17.67 dBm IEEE 802.11n: 17.67 dBm

Brezžična funkcija različica S/W : V 1.0

Za zaščito uporabnika mora biti ta naprava nameščena tako, da bo med uporabnikom in napravo vsaj 20 cm prostora.

Izjava o skladnosti



Družba LG Electronics s tem izjavlja, da je radijska oprema Pomivalni stroj skladna z Direktivo 2014/

53/EU. Celotno besedilo izjave EU o skladnosti je na voljo na naslednjem spletnem naslovu:

<http://www.lg.com/global/support/cedoc/cedoc#>
 LG Electronics European Shared Service Centre B.V.
 Krijgsman 1, 1186 DM Amstelveen, Nizozemska



Informacije o obvestilu o odprtokodni programski opremi

Če želite pridobiti izvorno kodo z licencami GPL, LGPL, MPL in z drugimi odprtokodnimi licencami, ki jo vsebuje ta izdelek, obiščite spletno mesto <http://opensource.lge.com>.

Poleg izvorne kode so za prenos na voljo še vsi omenjeni licenčni pogoji, zavrnitve jamstva in obvestila o avtorskih pravicah.

LG Electronics vam odprto kodo zagotovi tudi na CD-ROM-u na zahtevo preko elektronske pošte na naslov opensource@lge.com ob plačilu zneska, ki pokriva stroške tovrstne distribucije (kot so stroški nosilca, pošiljanja in obdelave). Ta ponudba velja tri leta od zadnje odpreme tega izdelka. Ta ponudba velja za vse, ki prejmejo te informacije.

Smart Diagnosis

Ta funkcija je na voljo le pri modelih z logotipom  ali .

To funkcijo uporabite za pomoč pri diagnosticiranju in reševanju težav z vašo napravo.

OPOMBA

- Zaradi razlogov, ki jih ni mogoče pripisati malomarnosti družbe LGE, storitev morda ne bo delovala zaradi zunanjih dejavnikov, kot so, vendar niso omejeni na nerazpoložljivost omrežja Wi-Fi, prekinitve povezave Wi-Fi, politiko lokalne trgovine z aplikacijami ali nerazpoložljivost aplikacije.
- Funkcija je lahko predmet sprememb brez predhodnega obvestila in ima lahko drugačno obliko v odvisnosti od vaše lokacije.

Uporaba aplikacije LG ThinQ za diagnosticiranje težav

Če pri uporabi naprave, opremljene z Wi-Fi, naletite na težavo, lahko s pomočjo aplikacije **LG ThinQ** prenesete podatke za odpravljanje težav na pametni telefon.



- Zaženite aplikacijo **LG ThinQ** in v meniju izberite funkcijo **Smart Diagnosis**. Sledite navodilom, navedenim v aplikaciji **LG ThinQ**.

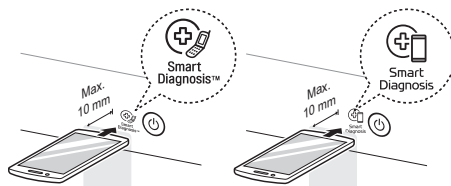
Uporaba zvočnega diagnosticiranja za diagnosticiranje težav

Za uporabo metode zvočne diagnostike upoštevajte spodnja navodila.

- Zaženite aplikacijo **LG ThinQ** in v meniju izberite funkcijo **Smart Diagnosis**. Sledite navodilom za zvočno diagnosticiranje, navedenim v aplikaciji **LG ThinQ**.

- 1 Pritisnite gumb **Vklop**, da vklopite napravo.
 - Ne pritiskejte drugih gumbov.

- 2 Slušalko pametnega telefona namestite v bližino logotipa  ali .



- 3 Pritisnite in za 3 sekunde ali dlje pridržite gumb **Download Cycle (Prenos programa)**, medtem ko slušalko pametnega telefona držite ob logotipu, dokler prenos podatkov ni zaključen.
 - Pametni telefon držite na mestu, dokler se prenos podatkov ne zaključi. Prikaže se preostali čas za prenos podatkov.

- 4 Ko je prenos podatkov zaključen, bo diagnoza prikazana v aplikaciji.

OPOMBA

- Za najboljše rezultate pametnega telefona ne premikajte, medtem ko se toni prenašajo.
-

Skrb za stranke in servis

Obrnite se na informacijski center za stranke LG Electronics.

- Če želite poiskati pooblaščen servis LG Electronics, obiščite naše spletno mesto na naslovu **www.lg.com** in sledite navodilom, ki jih najdete tam.
- Samostojno popravljanje odsvetujemo, saj lahko napravo še bolj poškodujete in izničite garancijo.
- Rezervni deli, navedeni v uredbi 2019/2022, so na voljo najmanj za obdobje 7 let.

VZDRŽEVANJE

Za ohranjanje zmogljivosti in preprečevanje težav redno preverjajte zunanost in notranost naprave, vključno s filtri in razpršilnimi rokami.

⚠ OPOZORILO

- Za čiščenje zunanosti in notranosti naprave ne uporabljate raztopin, ki temeljijo na topilih, kot so razredčila ali aceton. Povzroči lahko požar ali eksplozijo.

OPOMBA

- Preprečite, da bi živali grizle napajalni kabel ali cev za vodo.

Čiščenje in nega

Čiščenje zunanosti

V večini primerov je zunanost naprave mogoče očistiti z mehko in vlažno krpo ali gobico in osušiti s suho krpo. Če je zunanost naprave izdelana iz nerjavnega jekla, uporabite čistilo za nerjavno jeklo.

⚠ POZOR

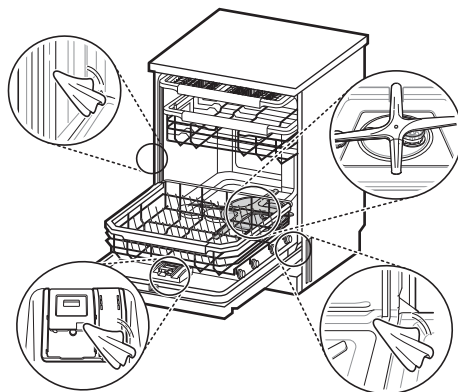
- Če zunanost izdelka poškropite z jedilnim oljem, ga nemudoma obrišite. Zunanosti izdelka ne čistite s čistili, ki vsebujejo alkohol, razredčila, belilo, benzen, vnetljive tekočine ali abrazivna sredstva. Ta sredstva lahko napravo razbarvajo ali jo poškodujejo.

Čiščenje notranosti

Priporočamo, da notranost, razpršilne roke ali filtre očistite vsaka dva tedna.

Notranost naprave redno čistite s pomočjo mehke in vlažne krpe ali gobice, da odstranite delce hrane in umazanije.

Ostanki hrane se lahko zataknejo v ozkih prehodih znotraj naprave, potem ko je pomivanje končano. Obrišite vse ostanke hrane.



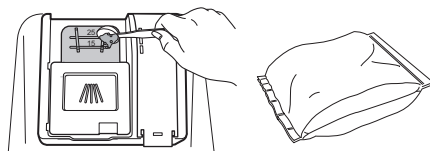
OPOMBA

- Če naprave dlje časa niste uporabljali, notranost osvežite s pomočjo programa **Turbo** ali **Machine Clean (Čiščenje stroja)** in detergenta. Ko je cikel zaključen, notranost in zunanost naprave očistite v skladu z navodili za **VZDRŽEVANJE**.

Čiščenje kadi

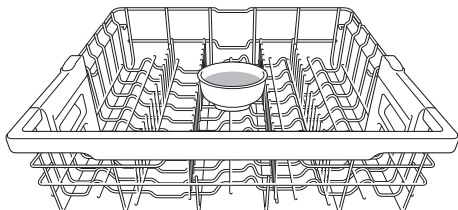
Uporaba citronske kisline

Iz naprave odstranite vso posodo, košaro za jedilni pribor in držalo za košaro za jedilni pribor. V kadi naj ostaneta samo polici. Za najboljše rezultate uporabite citronsko kislino v prahu (na voljo je v večini supermarketov ali v spletnih trgovinah). V predalček za glavno pranje dodajte 3 jedilne žlice (45 g) citronske kisline.



Uporaba belega kisa

Če ne najdete citronske kisline v prahu, v nizko skledo nalijte 3/4 do 1 1/4 skodelice (200–300 ml) belega kisa in jo postavite na zgornjo polico. Zaženite cikel **Auto (Samodejno)**. Ne uporabljajte detergenta. Ko je cikel zaključen, ga ponovno zaženite.



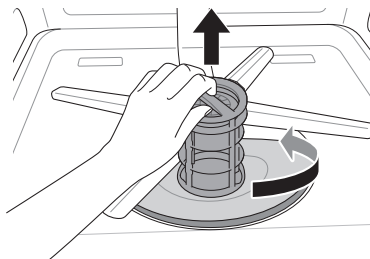
⚠ POZOR

- Kisa ne nalijte neposredno v podnožje.
- Pretirana uporaba kisa lahko poškoduje napravo.

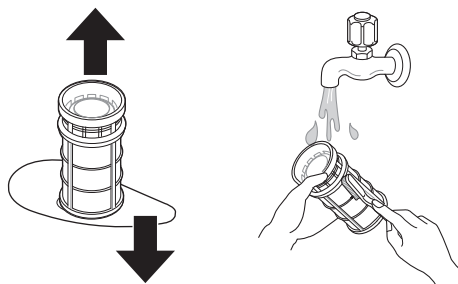
Čiščenje filtrov

1 Spodnjo polico odstranite in spodnjo razpršilno roko namestite na način, da je širše razpršilo odprto proti sprednjemu delu.

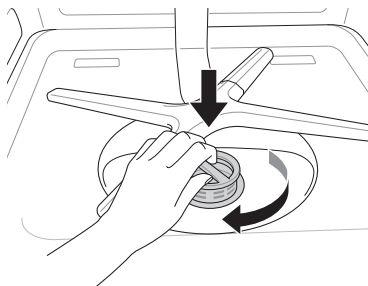
2 Notranji filter obrnite v nasprotni smeri urnega kazalca ter izvlecite sestavljen notranji filter in filter iz nerjavnega jekla.



3 Filtra očistite s pomočjo mehke krtače pod tekočo vodo. Pred ponovno namestitvijo filtra sestavite.



4 Če želite zamenjati sestavljena filtra, razpršilno roko namestite na način, da je širše razpršilo odprto proti sprednjemu delu. Filtra namestite nazaj na držalo filtra in notranji filter obrnite v smeri urnega kazalca, da se zaskoči na mesto.



⚠ OPOZORILO

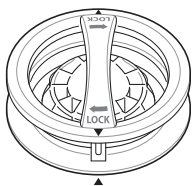
- Pri rokovanju s filtrom iz nerjavnega jekla bodite previdni, saj ima ostre robove.

⚠ POZOR

- Po uporabi naprave filtri filtrirajo delce hrane. Kakršen koli ostanek hrane lahko povzroči neprijeten vonj. Poleg tega se zaradi ostankov hrane v filtrih lahko pojavijo težave z odtekanjem.

OPOMBA

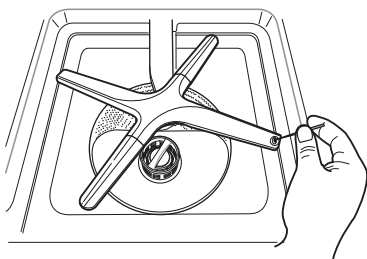
- Pri sestavljanju filter čvrsto zavrtite, da klikne.

**Čiščenje razpršilnih rok**

Če so odprtine razpršilnih rok blokirane z ostanki hrane, posoda morda ne bo dobro očiščena zaradi neustreznega pršenja vode.

Čiščenje spodnje razpršilne roke

- 1 Poskrbite, da odprtini za vodni curek ne blokirajo ostanki hrane.
- 2 Če ostanki hrane blokirajo odprtine razpršilnih rok, ostanke odstranite z buciko ali ostrim orodjem.

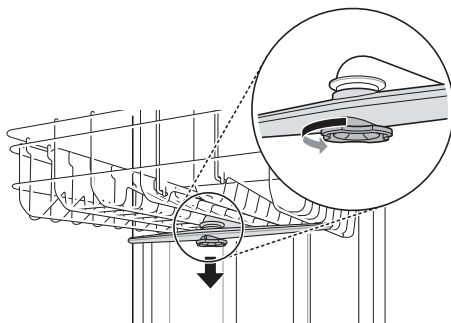
**⚠ POZOR**

- Da preprečite zlom končnih predelkov razpršilne roke z nastavljivim kotom, jih ne vlecite oziroma ročno vrtite.

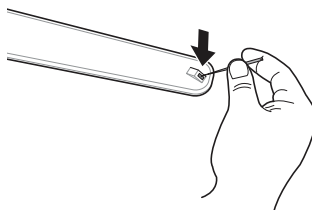
Čiščenje zgornje razpršilne roke

- 1 Zgornjo polico povlecite naprej. Poskrbite, da odprtini za vodni curek ne blokirajo ostanki hrane.

- 2 Kadar je roko treba očistiti, zgornjo razpršilno roko odstranite, tako da matico na dnu razpršilne roke za 1/8 obrata obrnete v nasprotni smeri urnega kazalca in jo povlečete navzdol.

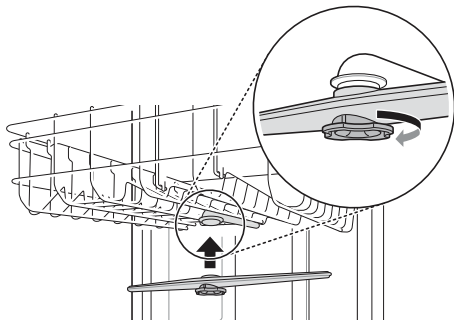


- 3 Delce hrane odstranite s spiranjem ali tresenjem razpršilne roke.
- 4 Če ostanki hrane blokirajo odprtine razpršilnih rok, ostanke odstranite z buciko ali ostrim orodjem.



- 5 Ko odstranite ostanke hrane, odprtine razpršilne roke očistite pod tekočo vodo.
- 6 Ko očistite zgornjo razpršilno roko, jo potisnite na mesto. Matico obrnite za 1/8 obrata v smeri

urnega kazalca, tako da se matica zaskoči nazaj na mesto.



7 Ko končate s sestavljanjem, preverite, ali se razpršilna roka prosto vrti.

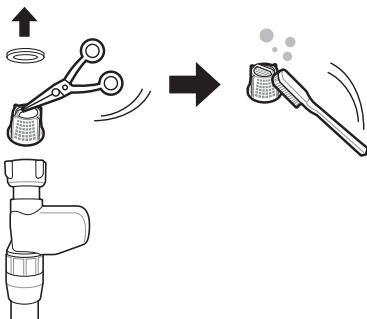
Čiščenje filtra cevi za dovod vode

1 Napravo izklopite iz električnega omrežja.

2 Zaprite pipo za vodo.

3 Odvijte cev za dovod vode.

4 S pomočjo majhnih klešč ali ročajev škarij odstranite tesnilo in plastični filter.



5 Ponovno namestite filter in tesnilo in se prepričajte, da sta pravilno nameščena.

6 Cev za dovod vode ponovno namestite v obratnem vrstnem redu. Cevi ne privijajte s pomočjo mehanske naprave. Pri ročnem privijanju si lahko pomagate z mehko krpo.

OPOMBA

- Filter je nameščen v dovodu priključka cevi za dovod vode.
- Če v napravo priteka premalo vode, preverite, ali je filter blokiran.
- V primeru puščanja preverite, ali je cev za dovod vode ustrezno priključena.
- Ventila za dovod vode nikoli ne privijte preveč, prav tako za privijanje ne uporabljajte mehanskih naprav.
- Pri ponovnem sestavljanju tesnila in filtra se prepričajte, da ne vsebujeta umazanije ali peska, ki sta lahko prišla iz dovoda vode.

Sezonsko vzdrževanje in shranjevanje

- Če boste v toplejših mesecih dlje časa odsotni, zaprite vodni ventil in izklopite napajalni kabel oziroma izklopite prekinjevalec električnega tokokroga. Očistite filter, kad in dozirnik, da preprečite nastanek neprijetnih vonjav.
- Če boste dlje časa odsotni v hladnejših mesecih in obstaja nevarnost zmrzali, cevi za dovod vode in samo napravo pripravite na zimo. To mora opraviti usposobljeno servisno osebje.

ODPRAVLJANJE TEŽAV

Preden pokličete servis

Delovanje naprave lahko povzroči napake in okvare. V naslednji tabeli so navedeni možni vzroki in opombe za odpravljanje sporočila o napaki ali okvari. Večino težav lahko odpravite sami, s čimer prihranite čas in denar, saj vam ni treba klicati servisnega centra LG Electronics. Naslednja tabela vam bo v pomoč pri odpravljanju težav.

Kode napak

Naprava je opremljena s samodejnim sistemom spremljanja napak za odkrivanje in diagnosticiranje težav v zgodnji fazi. Če ta naprava ne deluje pravilno ali sploh ne deluje, preverite naslednjo tabelo, šele nato pokličite servisni center LG Electronics.

Stanje	Možni vzrok in rešitev
I E	<p>Težava z dovodom vode.</p> <ul style="list-style-type: none"> Preverite, ali je cev za dovod vode zamašena, prepognjena ali zamrznjena. Preverite dovod vode.
DE	<p>Težave z odtokom</p> <ul style="list-style-type: none"> Preverite, ali je odtočna cev zamašena, prepognjena ali zamrznjena.
	<p>Pipa za odpadno vodo je zamašena.</p> <ul style="list-style-type: none"> Odstranite izvrtino na pipi za odpadno vodo.
	<p>Filtri so zamašeni.</p> <ul style="list-style-type: none"> Očistite filtre.
bE	<p>Nastanek preveč milnice je povzročil neustrezen detergent, kot je tekoče milo za posodo.</p> <ul style="list-style-type: none"> Ne uporabljajte tekočin za ročno pomivanje posode. Uporabljajte le detergente, ki so zasnovani za uporabo v avtomatskih pomivalnih strojih. Če želite iz kadi odstraniti ostanke detergenta, v nizko skledo nalijte 100~200 ml mleka in skledo postavite na zgornjo polico ter zaženite cikel Auto (Samodejno).
	<p>Naprave ni mogoče poravnati.</p> <ul style="list-style-type: none"> Poskrbite, da je naprava pravilno poravnana.
HE	<p>Okvara tokokroga grelnika</p> <ul style="list-style-type: none"> Če se enaka težava ponovno pojavi, pokličite servis.
FE	<p>Pretirana oskrba z vodo.</p> <ul style="list-style-type: none"> Če se enaka težava ponovno pojavi, pokličite servis.
RE	<p>Težava s puščanjem vode</p> <ul style="list-style-type: none"> Če se enaka težava ponovno pojavi, pokličite servis.

Stanje	Možni vzrok in rešitev
EE	Okvara termistorja <ul style="list-style-type: none"> Če se enaka težava ponovno pojavi, pokličite servis.
LE	Težava z motorjem <ul style="list-style-type: none"> Če se enaka težava ponovno pojavi, pokličite servis.
nE	Težava z motorjem Vario <ul style="list-style-type: none"> Če se enaka težava ponovno pojavi, pokličite servis.

Delovanje

Stanje	Možni vzrok in rešitev
Hrup	Med delovanjem je določena stopnja hrupa normalna. <ul style="list-style-type: none"> Odpiranje pokrova predalčka za detergent Odtočna črpalka na začetku odtočnega cikla
	Naprava ni poravnana. <ul style="list-style-type: none"> Nastavite izravnalne nogice.
	Roka šobe udarja ob posodo. <ul style="list-style-type: none"> Spremenite položaj posode.
	Vodni tlak je previsok. <ul style="list-style-type: none"> Nastavite vodni tlak.
Naprava ne bo delovala.	Vrata niso povsem zaprta. <ul style="list-style-type: none"> Napravo ponovno poravnajte.
	Vir napajanja ali napajalni kabel ni priključen. <ul style="list-style-type: none"> Vir napajanja oziroma napajalni kabel ustrezno priključite.
	Ko je funkcija Control Lock (Ključavnica za zaklepanje) aktivirana, se bo na zaslону prikazala koda CL. <ul style="list-style-type: none"> Deaktivirajte gumb Control Lock (Ključavnica za zaklepanje). Istovčasno pritisnite in za 3 sekunde pridržite gumba Half Load (Polovično polnjenje) in Energy Saver (Varčevanje z energijo), da aktivirate ali deaktivirate to funkcijo.
	Varovalka je pregorela oziroma se je sprožil prekinjevalec električnega tokokroga. <ul style="list-style-type: none"> Zamenjajte varovalko oziroma ponastavite prekinjevalec električnega tokokroga.

Stanje	Možni vzrok in rešitev
Naprava neprekinjeno piska, ko so vrata odprta, med oziroma po zaključku cikla.	<p>Vsebina naprave je vroča in pri seganju v napravo z rokami bodite previdni.</p> <ul style="list-style-type: none"> • Zaprite vrata, da se naprava in posoda posušijo. Piskanje bo prenehalo, ko boste zaprli vrata oziroma notranja temperatura pade.
Po končanem ciklu voda ostane v zbiralniku.	<p>Odtočna cev je prepognjena ali zamašena.</p> <ul style="list-style-type: none"> • Nastavite cev oziroma očistite blokado.
	<p>Voda lahko ostane, če je bilo napajanje prekinjeno pred normalnim zaključkom cikla oziroma če je bilo delovanje ročno prekinjeno.</p> <ul style="list-style-type: none"> • Ponovno zaženite cikel.
Razpršilne roke se ne premikajo normalno.	<p>Odprtine razpršilnih rok blokirajo ostanki hrane.</p> <ul style="list-style-type: none"> • Očistite odprtine razpršilnih rok.
Zgornja polica je ukrivljena.	<p>Polica je slabo nastavljena.</p> <ul style="list-style-type: none"> • Glejte razdelek Po višini nastavljiva zgornja polica.
Lučke ne svetijo.	<p>Napajanje ni priključeno.</p> <ul style="list-style-type: none"> • Priključite napajanje.
V notranjosti naprave je preveč pene.	<p>Niste uporabili detergenta, namenjenega strojnemu pomivanju.</p> <ul style="list-style-type: none"> • Uporabite detergent, namenjen strojnemu pomivanju.
	<p>Peno lahko povzroča preveč sredstva za spiranje.</p> <ul style="list-style-type: none"> • Zmanjšajte količino sredstva za spiranje in stopnjo izpiranja.
V dozirniku za detergent je ostal detergent.	<p>Neuravnotežena zgornja polica</p> <ul style="list-style-type: none"> • Nastavite levo/desno višino zgornje police.
	<p>Detergent morda ni doziran, ker slaba razporeditev posode preprečuje samodejno odpiranje dozirnika za detergent.</p> <ul style="list-style-type: none"> • Pravilno razporedite posodo in dozirnik pred dodajanjem novega detergenta vedno posušite, tako da se detergent ne sprime.
Iz naprave izteka voda.	<p>Vrata morda niso zaprta zaradi nagnjenosti naprave. V tem primeru lahko pride do puščanja vode.</p> <ul style="list-style-type: none"> • S pomočjo nastavljanja nogice preverite poravnavo naprave.
	<p>Puščanje vode lahko povzroči napačna namestitvev odtočne cevi.</p> <ul style="list-style-type: none"> • Preverite priključni del odtočne cevi.
	<p>Če je napajanje izklopljeno, lahko puščanje vode povzroči slaba priključitev na pipo.</p> <ul style="list-style-type: none"> • Preverite priključek cevi za dovod vode.

Zmogljivost

Stanje	Možni vzrok in rešitev
Motnost na kozarcih	Kombinacija preveč detergenta in trde vode <ul style="list-style-type: none"> • Uporabite manj detergenta in uporabite sredstvo za izpiranje, da zmanjšate težavo. • Preverite nastavitve sistema za mehčanje.
Črni ali sivi madeži na posodi	Med ciklom se aluminijasti predmeti drgnejo ob posodo. <ul style="list-style-type: none"> • Spremenite položaj posode.
Rumena ali rjava plast na notranjih površinah naprave	Madeži kave ali čaja <ul style="list-style-type: none"> • Madeže odstranite s pomočjo izdelka za odstranjevanje madežev.
V pomivalnem stroju ostane rumena voda.	Ob začetni uporabi naprave lahko v rezervoarju za mehčanje vode rumena voda nastaja. <ul style="list-style-type: none"> • To je normalno stanje in ni nevarno za ljudi. Izgine po 1–3 ciklih.

Stanje	Možni vzrok in rešitev
Madeži in sloj na posodi	Uporabljena je napačna količina detergenta. <ul style="list-style-type: none"> Uporabite ustrezno količino detergenta.
	Preobremenitev <ul style="list-style-type: none"> Naprave ne preobremenite.
	Napačno nalaganje <ul style="list-style-type: none"> Glejte razdelek DELOVANJE.
	Nezadosten vodni tlak <ul style="list-style-type: none"> Vodni tlak mora biti med 0,05 in 0,6 MPa.
	Nezadostna količina detergenta <ul style="list-style-type: none"> Dodajte priporočeno količino detergenta. Glejte razdelek DELOVANJE.
	Dozirnik sredstva za izpiranje je prazen. <ul style="list-style-type: none"> Napolnite dozirnik sredstva za izpiranje.
	Mehčalec vode ne vsebuje soli oziroma soli ni dovolj. <ul style="list-style-type: none"> Preverite, ali je v mehčalcu vode sol.
	Stopnja trdote vode je lahko nastavljena na prenizko vrednost. <ul style="list-style-type: none"> Povečajte vrednost stopnje trdote vode.
	Sredstva za izpiranje je morda premalo. <ul style="list-style-type: none"> Dodajte sredstvo za izpiranje ali povečajte stopnjo izpiranja.
	Kopičenje snovi trde vode v kadi <ul style="list-style-type: none"> Iz naprave odstranite vso posodo, košaro za jedilni pribor in držalo za košaro za jedilni pribor. V kadi lahko ostaneta le polici. Za najboljše rezultate uporabite citronsko kislino v prahu (na voljo je v supermarketih ali spletni trgovini). Predalček za glavno pranje napolnite s 3 jedilnimi žlicami (45 g) citronske kisline v prahu. Če nimate citronske kisline v prahu, v nizko posodo nalijte približno 200–300 ml belega kisa in posodo postavite na zgornjo polico. Zaženite cikel Auto (Samodejno). Ne uporabite detergenta. Ko je cikel končan, ga ponovno zaženite.
Neprijeten vonj	Prejšnji cikel se je končal pred zaključkom in v napravi je ostala voda. <ul style="list-style-type: none"> Vklopite napajanje, zaženite cikel Cancel (Preklic), da odstranite preostalo vodo, nato zaženite cikel Turbo, ki uporablja detergent, vendar v napravo ne dajate posode.
	Na dnu enote ali v filtru je hrana. <ul style="list-style-type: none"> Filter in notranjost naprave očistite v skladu z razdelkom VZDRŽEVANJE v uporabniškem priročniku.
	Neoprana posoda je dolgo časa v napravi. <ul style="list-style-type: none"> Zaženite cikel z eno skodelico belega kisa, ki jo postavite na zgornjo polico (kis je kislina in redna uporaba lahko poškoduje napravo).

Stanje	Možni vzrok in rešitev
Na posodi ostanejo madeži od hrane.	Izbira neustreznega cikla <ul style="list-style-type: none"> • Cikel izberite na podlagi stopnje umazanosti in vrste posode.
	Temperatura vode je prenizka. <ul style="list-style-type: none"> • Preverite vodovodni priključek ali nastavitev grelnika vode.
	Niste uporabili detergenta za pomivanje posode. <ul style="list-style-type: none"> • Uporabite priporočeni detergent.
	Nizek tlak dovodne vode <ul style="list-style-type: none"> • Vodni tlak mora biti med 0,05 in 0,6 MPa.
	Odprtine na razpršilnih rokah so blokirane. <ul style="list-style-type: none"> • Očistite razpršilne roke.
	Posoda je neustrezno naložena. <ul style="list-style-type: none"> • Poskrbite, da posoda ne blokira vrtenja razpršilne roke oziroma ne ovira dozirnika detergenta.
	Filtri so zamašeni. <ul style="list-style-type: none"> • Očistite filtre.
	Na posodi je preveč neodstranjenih ostankov hrane. <ul style="list-style-type: none"> • Pred pomivanjem morate s posode odstraniti večje ostanke hrane.

Sušenje

Stanje	Možni vzrok in rešitev
Posoda se ne posuši.	Dozirnik sredstva za izpiranje je prazen. <ul style="list-style-type: none"> • Preverite dozirnik in ga, če je prazen, napolnite. Za boljše rezultate sušenja po delovanju vrata stroja nekoliko odprite.
	Uporabljene tablete morda ne vsebujejo sredstva za izpiranje. To zmanjša sposobnost sušenja. <ul style="list-style-type: none"> • Začnite uporabljati tablete, ki vsebujejo sredstvo za izpiranje (če niste prepričani, se obrnite na proizvajalca tablet). Če tablete ne vsebujejo sredstva za izpiranje, lahko uporabite tekoče sredstvo za izpiranje.
	Izbran je bil cikel brez možnosti Extra Dry (Zelo suho). <ul style="list-style-type: none"> • Izberite cikel, ki privzeto uporablja možnost Extra Dry (Zelo suho).

Wi-Fi

Stanje	Možni vzrok in rešitev
Vaša domača naprava in pametni telefon nista povezana z Wi-Fi omrežjem.	Geslo za Wi-Fi, s katerim se poskušate povezati, ni pravilno. <ul style="list-style-type: none"> Poiščite Wi-Fi omrežje povezano z vašim pametnim telefonom in ga odstranite, potem registrirajte vašo napravo na LG ThinQ.
	Mobilni podatki za vaš pametni telefon so vklopljeni. <ul style="list-style-type: none"> Izklopite Mobilne podatke na vašem pametnem telefonu in registrirajte napravo z uporabo Wi-Fi.
	Ime brezžičnega omrežja (SSID) je nepravilno nastavljeno. <ul style="list-style-type: none"> Ime brezžičnega omrežja (SSID) mora biti sestavljeno iz kombinacije angleških črk in števil. (Ne uporabljajte posebnih znakov.)
	Frekvenca rutarja ni 2,4 GHz. <ul style="list-style-type: none"> Samo frekvenca rutarja 2,4 GHz je podprta. Nastavite rutar na 2,4 GHz in povežite napravo z brezžičnim rutarjem. Da preverite frekvenco rutarja, preverite pri dobavitelju vašega interneta ali izdelovalcu rutarja.
	Razdalja med napravo in rutarjem je predolga. <ul style="list-style-type: none"> Če je razdalja med napravo in brezžičnim rutarjem predolga, postane moč signala šibka in povezava morda ni konfigurirana pravilno. Premaknite lokacijo rutarja, da je bližje napravi.

PRILOGA

Podatkovna kartica izdelka

Delegirana uredba Komisije (EU) št. 2019/2017

Ime dobavitelja ali blagovna znamka: LG Electronics Inc

Naslov dobavitelja*²: LG Electronics European Shared Service Center B.V., Krijgsman 1, 1186 DM Amstelveen Nizozemska

*1 Za program eco.

*2 Spremembe teh postavk se ne štejejo za pomembne za namene odstavka 4 člena 4 Uredbe (EU) 2017/1369.

Identifikacijska oznaka modela: DF425***

Splošni parametri izdelka:

Parameter	Vrednost	Parameter	Vrednost	
Nazivna zmogljivost* ¹ (PS)	14	Mere v cm	Višina	85
			Širina	60
			Globina	60
EEI* ¹	49,9	Razred energetske učinkovitosti* ¹	D	
Indeks učinkovitosti pomivanja* ¹	1,13	Indeks učinkovitosti sušenja* ¹	1,07	
Poraba energije v kWh [na cikel] na podlagi programa eco pri dotoku hladne vode. Dejanska poraba energije je odvisna od načina uporabe aparata.	0,849	Poraba vode v litrih [na cikel] na podlagi programa eco. Dejanska poraba vode je odvisna od načina uporabe aparata in trdote vode.	9,5	
Trajanje programa* ¹ (h:min)	03:13	Vrsta	samostoje či	
Emisije akustičnega hrupa, ki se prenaša po zraku* ¹ (dB(A) glede na 1 pW)	41	Razred emisij akustičnega hrupa, ki se prenaša po zraku* ¹	B	
Stanje izključenosti (W)	0,49	Stanje pripravljenosti (W)	0,49	
Zamik vklopa (W) (če je na voljo)	3,99	Omrežno stanje pripravljenosti (W) (če je na voljo)	1,99	

Minimalno trajanje garancije za aparat, ki jo nudi dobavitelj*²: 2 leti

Dodatne informacije: www.lg.com

Identifikacijska oznaka modela: DF325***

Splošni parametri izdelka:

Parameter	Vrednost	Parameter	Vrednos t
Nazivna zmogljivost* ¹ (PS)	14	Mere v cm	
		Višina	85
		Širina	60
		Globina	60
EEI* ¹	55,9	Razred energetske učinkovitosti* ¹	E
Indeks učinkovitosti pomivanja* ¹	1,13	Indeks učinkovitosti sušenja* ¹	1,07
Poraba energije v kWh [na cikel] na podlagi programa eco pri dotoku hladne vode. Dejanska poraba energije je odvisna od načina uporabe aparata.	0,951	Poraba vode v litrih [na cikel] na podlagi programa eco. Dejanska poraba vode je odvisna od načina uporabe aparata in trdote vode.	9,5
Trajanje programa* ¹ (h:min)	03:48	Vrsta	samosto ječi
Emisije akustičnega hrupa, ki se prenaša po zraku* ¹ (dB(A) glede na 1 pW)	42	Razred emisij akustičnega hrupa, ki se prenaša po zraku* ¹	B
Stanje izključenosti (W)	0,26	Stanje pripravljenosti (W)	0,26
Zamik vklopa (W) (če je na voljo)	3,99	Omrežno stanje pripravljenosti (W) (če je na voljo)	1,99
Minimalno trajanje garancije za aparat, ki jo nudi dobavitelj*²: 2 leti			
Dodatne informacije: www.lg.com			

Identifikacijska oznaka modela: DF325**

Splošni parametri izdelka:

Parameter	Vrednost	Parameter	Vrednos t
Nazivna zmogljivost* ¹ (PS)	14	Mere v cm	
		Višina	85
		Širina	60
		Globina	60
EEI* ¹	55,9	Razred energetske učinkovitosti* ¹	E
Indeks učinkovitosti pomivanja* ¹	1,13	Indeks učinkovitosti sušenja* ¹	1,07
Poraba energije v kWh [na cikel] na podlagi programa eco pri dotoku hladne vode. Dejanska poraba energije je odvisna od načina uporabe aparata.	0,951	Poraba vode v litrih [na cikel] na podlagi programa eco. Dejanska poraba vode je odvisna od načina uporabe aparata in trdote vode.	9,5
Trajanje programa* ¹ (h:min)	03:48	Vrsta	samosto ječi
Emisije akustičnega hrupa, ki se prenaša po zraku* ¹ (dB(A) glede na 1 pW)	44	Razred emisij akustičnega hrupa, ki se prenaša po zraku* ¹	B
Stanje izključenosti (W)	0,26	Stanje pripravljenosti (W)	0,26
Zamik vklopa (W) (če je na voljo)	3,99	Omrežno stanje pripravljenosti (W) (če je na voljo)	1,99
Minimalno trajanje garancije za aparat, ki jo nudi dobavitelj*²: 2 leti			
Dodatne informacije: www.lg.com			

Delegirana uredba Komisije (EU) št. 1059/2010

Ime dobavitelja ali blagovna znamka	LG			
	DF425***	DF325***	DF325**	
Dobaviteljeva identifikacijska oznaka modela	DF425***	DF325***	DF325**	
Nazivna zmogljivost pri standardni postavitvi pogrinjkov za standarden cikel čiščenja	14			PS
Razred energetske učinkovitosti	A+++	A++	A++	
Po regulaciji (ES) št. 66/2010 je izdelku dodeljena nagrada »EU Ecolabel«	Ne			
Poraba energije »X« kWh na leto na osnovi 280 standardnih ciklov čiščenja z uporabo hladne vode in uporabo načinov nizke moči. Dejanska poraba energije je odvisna od tega, kako napravo uporabljate.	237	266	266	kWh/leto
Poraba energije (Et) standardnega cikla čiščenja	0,83	0,944	0,944	kWh
Poraba energije v izklopljenem načinu	0,49	0,26	0,26	W
Poraba energije v vklopljenem načinu	0,49	0,26	0,26	W
Poraba vode »X« litrov na leto, na osnovi 280 standardnih ciklov čiščenja. Dejanska poraba vode je odvisna od tega, kako napravo uporabljate.	2700			litrov/leto
Razred učinkovitosti sušenja »X« na lestvici od G (najmanj učinkovito) do A (najbolj učinkovito)	A			
»Eco« je standarden cikel čiščenja, na katerega se nanašajo podatki na nalepki in v standardnih podatkih o izdelku. Ta program je primeren za čiščenje normalno umazane posode in je najbolj učinkovit program z vidika kombinirane porabe energije in vode.				
Čas programa za standarden cikel čiščenja	193	228	228	min
Trajanje do koraka, ko je stroj na koncu nekaj časa še vklopljen (TI)	1			min
Emisije akustičnega hrupa, ki se prenaša po zraku	41	42	44	dB(A)
Prosto stoječi				

Obvestilo

MANUALI I PËRDORIMIT

LAVASTOVILJE



Para se të filloni instalimin, lexoni këto udhëzime me kujdes. Kjo do të thjeshtojë instalimin dhe do të garantojë që produkti të instalohet mirë dhe në mënyrë të sigurt. Lërimi këto udhëzime pranë produktit pas instalimit për referencë në të ardhmen.

SHQIP

DF425*** / DF325*** / DF325**

TABELA E PËRMBAJTJES

Ky manual mund të përmbajë figura ose materiale të ndryshme nga modeli që keni blerë.

Ky manual mund të rishikohet nga prodhuesi.

UDHËZIME SIGURIE

LEXONI TË GJITHA UDHËZIMET PËRPARA PËRDORIMIT	4
DEKLARATA PARALAJMËRIMI.....	4
DEKLARATA KUJDESI	10
KUJDESI PËR MJEDISIN	11

INSTALIMI

Pjesët dhe specifikimet	12
Përgatitja e hapësirës së mobilies	14
Nivelimi i pajisjes.....	17
Instalimi i tubit të shkarkimit.....	18
Përgatitja e lidhjeve elektrike dhe të ujit	19
Kontrrolli i fundit i instalimit	20

PËRDORIMI

Përpara përdorimit	22
Përmbledhje e funksioneve	25
Paneli i kontrollit	28
Ciklet e larjes.....	29
Opsionet dhe funksionet shtesë	30
Tabela e programeve	33
Informacione për testimin	40
Mbushja e lavastoviljes	41
Hedhja e agjentëve pastrues.....	47
Rimbushja	49
Këshilla të dobishme	49

FUNKSIONET INTELIGJENTE

Aplikacioni LG ThinQ.....	50
Smart Diagnosis	52

MIRËMBAJTJA

Pastrimi dhe kujdesi	54
----------------------------	----

ZGJIDHJA E PROBLEMEVE

Përpara thirrjes për shërbim58

SHTOJCË

Të dhëna për produktin65

UDHËZIME SIGURIE

LEXONI TË GJITHA UDHËZIMET PËRPARA PËRDORIMIT

Direktivat e mëposhtme të sigurisë janë bërë për të parandaluar rreziqet e paparashikueshme nga përdorimi i pasigurt ose i gabuar i pajisjes.

Direktivat janë ndarë në 'PARALAJMËRIM' dhe 'KUJDES' siç tregohet më poshtë.

Mesazhe sigurie



Ky simbol shfaqet për të treguar probleme dhe operacione që shkaktojnë rrezik.

Lexoni me kujdes pjesën me këtë simbol dhe ndiqni udhëzimet për të shmangur këtë rrezik.



PARALAJMËRIM

Kjo tregon se mosndjekja e udhëzimeve mund të shkaktojë dëmtime serioze ose vdekje.



KUJDES

Kjo tregon se mosndjekja e udhëzimeve mund të shkaktojë lëndime të vogla ose dëmtime në produkt.

DEKLARATA PARALAJMËRIMI



PARALAJMËRIM

- Për të reduktuar rrezikun e zjarrit, goditjeve elektrike ose dëmtimeve të personave kur përdorni produktin, duhet të ndiqen masat bazë të sigurisë, përfshirë si më poshtë:

Siguria teknike

- Pajisja nuk është bërë për t'u përdorur nga persona (përfshirë fëmijët) me aftësi të kufizuara fizike, motorike ose mendore, ose me

mungesë përvoje dhe njohurie, përveç nëse mbikëqyren ose udhëzohen në lidhje me përdorimin e pajisjes nga një person përgjegjës për sigurinë e tyre. Fëmijët duhet të mbikëqyren për t'u siguruar që të mos luajnë me pajisjen.

- Shihni informacionin e dhënë në Specifikimet në lidhje me numrin maksimal të konfigurimit të vendeve që duhet të lahen në lavastovilje.
- Presioni i hyrjes së ujit duhet të jetë midis 0,05 MPa dhe 0,6 MPa.

Instalimi

- Asnjëherë mos u mundoni ta vini pajisjen në punë nëse është e dëmtuar, ka defekt, është çmontuar pjesërisht ose ka pjesë që mungojnë apo të prishura, si për shembull kordon ose spinë të dëmtuar.
- Nëse kablllo e energjisë është dëmtuar ose vrima e prizës është shumë e lirë, mos e përdorni kabllon e energjisë dhe kontaktoni një qendër shërbimi të autorizuar.
- Mos e modifikoni kordonin e energjisë të ofruar së bashku me pajisjen. Ju lutemi kontaktoni qendrën e informacionit të LG-së për tu këshilluar lidhur me mospërputhshmërinë e tij.
- Kjo pajisje duhet të transportohet vetëm nga dy njerëz ose më shumë duke e mbajtur pajisjen mirë.
- Mos e instaloni pajisjen në një vend të lagur ose me pluhur. Mos e instaloni ose e mbani pajisjen jashtë, ose në një vend që është subjekt i kushteve të motit si drita direkte e diellit, era, shiu ose temperaturat nën ngrirje.
- Mos lidhni priza shumëfishuese, kablllo zgjatues korrenti ose përshtatës me këtë pajisje.
- Shkëputeni kordonin e energjisë, çelësat ose siguresën e qarkut të shtëpisë para instalimit ose vendosjes në punë të pajisjes.
- Nëse lëvizni ose instaloni pajisjen në një vend tjetër, telefononi personelin e kualifikuar të shërbimit për instalimin dhe shërbimet.
- Fiksoni tubin e shkarkimit në mënyrë të sigurt.

- Kjo pajisje nuk është projektuar për përdorim detar ose për instalime të lëvizshme si automjete rekreative, rimorkio ose avionë.
- Kjo pajisje duhet të vendoset pranë një furnizuesi me energji elektrike.
- Gjatë instalimit ose lëvizjes së pajisjes, tregoni kujdes që të mos e shtrëngoni, përplasni ose dëmtoni kordonin e energjisë.
- Përdorni tub të ri ose set tubash të dhënë bashkë me pajisjen. Përdorimi i tubave të vjetër mund të shkaktojë rrjedhje uji dhe dëmtime të pronës.
- Lidhja e gabuar e konduktorit të tokëzimit mund të rezultojë në rrezik goditjesh elektrike. Kontrolloni me një elektrikist të kualifikuar ose personel shërbimi nëse jeni në dyshim nëse pajisja është tokëzuar mirë.
- Kjo pajisje duhet të jetë e tokëzuar. Në rast të një defekti ose prishjeje, tokëzimi do të reduktojë rrezikun e goditjeve elektrike duke siguruar një rrugë me rezistencë më të pakët për rrymën elektrike.
- Kjo pajisje është e pajisur me një kordon energjie që ka një konduktor tokëzimi dhe një spinë tokëzimi. Spina e energjisë duhet të lidhet me një prizë të përshtatshme që është instaluar dhe tokëzuar sipas të gjitha kodeve dhe rregullave vendëse.
- Pas instalimit, kontrolloni lidhjen e tubave të ujit për rrjedhje para se të fusni pajisjen në hapësirën e mobilies.
- Mos dëmtoni ose vendosni sende të rënda sipër kordonit të energjisë së pajisjes.
- Kjo pajisje është menduar të përdoret në kushte shtëpie dhe në ambiente të ngjashme, dhe nuk duhet të përdoret për qëllime tregtie.
- Për një lavastovilje të lidhur përfundimisht: Kjo pajisje duhet të lidhet me një sistem instalimesh elektrike të tokëzuar metali dhe të përhershme, ose duhet të lidhet me një konduktor të tokëzimit me konduktorët e qarkut dhe më pas të lidhet me terminalin e tokëzimit ose me pajisjen.
- Lidhni instalimet elektrike të tokëzuara me bashkuesin e gjelbër të tokëzuar në kutinë e terminalit.

Përdorimi

- Duhet të hiqni menjëherë spinën e energjisë elektrike dhe të kontaktoni qendrën e informacionit për klientin të LG Electronics nëse vëreni një zhurmë të pazakontë, aroma të këqija, ose shihni të dalë tym nga pajisja.
- Mos e riparoni ose mos ndërroni asnjë pjesë të pajisjes. Të gjitha riparimet dhe shërbimet duhet të bëhen nga personeli i kualifikuar i shërbimit përveç nëse është rekomanduar në mënyrë specifike në këtë manual përdorimi. Përdorni vetëm pjesë këmbimi të autorizuara nga fabrika.
- Mos e lini derën e pajisjes të hapur. Fëmijët mund të varen mbi derë ose të futen brenda në pajisje duke shkaktuar dëme ose lëndime.
- Mos përdorni gazra të djegshëm dhe substanca të djegshme (benzol, benzinë, hollues, naftë, alkool, etj.) pranë pajisjes.
- Mos u përpiqni t'i ndani panelet ose ta çmontoni pajisjen. Mos përdorni asnjë objekt të mprehtë në panelin e kontrollit për ta vënë pajisjen në punë.
- Mos e përkulni kabllon e korrentit tepër e mos vendosni objekte të rënda mbi të.
- Mos vendosni kafshë, si p.sh. kafshë shtëpiake brenda pajisjes.
- Mos e prekni spinën e energjisë ose kontrollat e pajisjes me duar të lagura.
- Nëse ka një rrjedhje gazi (izobutan, propani, gaz natyror, etj.), mos e prekni pajisjen ose spinën e korrentit dhe ajroseni vendin menjëherë.
- Në rast përmytje, hiqni spinën e energjisë elektrike dhe kontaktoni qendrën e informacionit për klientin të LG Electronics.
- Në kushte të caktuara, në sistemin e ujit të nxehtë i cili nuk është përdorur prej dy javësh ose më shumë, mund të prodhohet gazi i hidrogjenit. GAZI I HIDROGJENIT ËSHTË SHPËRTHYES. Nëse sistemi i ujit të nxehtë nuk është përdorur përgjatë kësaj kohe, para se të përdorni pajisjen, hapni të gjithë rubinetin e ujit të nxehë dhe lëreni ujin të rrjedh disa minuta. Kështu do të çlirohet gazi i hidrogjenit që është akumuluar. Nuk duhet të pini duhan dhe as të përdorni zjarrin e hapur gjatë kësaj kohe, për shkak se gazi është i ndezshëm.

- Në sipërfaqen përreth dhe poshtë pajisjes nuk duhet të mbahen materiale të djegshme si psh: garza, letra, leckë, kimikate, etj.
- Disa detergjente për lavastovilje kanë përbërje të lartë alkaline. Në rast se i gëlltisni, ato mund jenë shumë të rrezikshme. Shmangni kontaktin me lëkurën dhe sytë dhe mbani fëmijët larg lavastoviljes kur të hapni derën. Kontrolloni që kutia e detergjentit të jetë bosh pas përfundimit të ciklit të larjes.
- Mos e përdorni pajisjen nëse nuk janë vendosur siç duhet në vendin e tyre të gjitha panelet mbyllëse.
- Përdorni vetëm detergjent ose lëngje larës të rekomanduar për përdorim në pajisje dhe mbajini larg fëmijëve.
- Mos lani ose thani enët të cilat janë të njollosura me substanca të djegshme si benzinë, tretës, detergjent me bazë tretësi.
- Kur fusni enët për tu larë:
 - Enët e mprehta vendoni në një mënyrë që të mos dëmtojnë guarnicionin e derës.
 - Thikat e mprehta vendosini me majën e mprehtë poshtë dhe dorezën lart, për të ulur rrezikun e dëmtimeve nga prerjet.
- Enët plastike nuk lahen në lavastovilje përveç rastit kur kanë të shënuar "lahet në lavastovilje" ose diçka të tillë të barasvlershme. Për enët të cilat nuk kanë të shënuar këtë gjë, kontrolloni rekomandimet e prodhuesit.
- Mos prekni ndonjë element nxehtësie (ku është i ekspozuar) gjatë ose menjëherë pas përdorimit.
- Mos abuzoni, mos u ulni, ose qëndroni sipër derës ose rafteve të enëve të lavastoviljes.
- Pasi të pastroni enët, mbyllni rubinetin. Hapni përsëri rubinetin dhe kontrolloni lidhjet e tubit të furnizimit me ujë para pastrimit.
- Mos e hapni derën kur pajisja është në përdorim pasi mund të shpërthejë uji dhe mund të shkaktojë rrezik rrëshqitjeje.
- Tregoni kujdes për mos të kapur dorën gjatë mbylljes së derës së pajisjes.
- Mos lani ose thani enët të cilat janë të njollosura me substanca të djegshme si benzinë, tretës, detergjent me bazë tretësi.

- Mos bini në kontakt me ndonjë prizë dalëse të montuar.
- Pjesët e vogla, si për shembull kapëset e rafteve dhe kunjat që mbajnë filtrat mund të përbëjnë rrezik mbytje për fëmijët e vegjël nëse i hiqni nga lavastovilja. Mbajini ato larg fëmijëve të vegjël.
- Thikat dhe mjetet e tjera të kuzhinës me majë të mprehtë duhet të vendosen në një kosh me majën e mprehtë drejtuar poshtë ose të vendosura në drejtim horizontal.
- Dera nuk duhet të lihet hapur pasi kjo mund të paraqesë rrezik fikjeje.

Mirëmbajtja

- Asnjëherë mos e shkëputni pajisjen duke tërhequr kabllon e energjisë. Gjithmonë kapni spinën e energjisë fort dhe tërhiqeni drejt nga priza.
- Fiksojeni mirë spinën e energjisë në prizë pasi ta keni pastruar nga lagështia dhe pluhuri.
- Mos spërkatni ujë brenda ose jashtë pajisjes për ta pastruar.
- Shkëputeni pajisjen nga korrenti para se ta pastroni. Vendosja e kontrolleve në pozicionin OFF (FIKUR) ose në gjendje pritjeje nuk e shkëput pajisjen nga korrenti.

Hedhja

- Para se ta hidhni një pajisje të vjetër, hiqeni nga priza. Priteni kabllon direkt prapa pajisjes për të mos lejuar përdorimin e gabuar.
- Hidhni të gjitha materialet e paketimit (si qeset plastike dhe polisterolin) larg nga fëmijët. Materialet e paketimit mund të shkaktojnë mbytje.
- Hiqeni derën para se ta hidhni ose para se ta nxirrni jashtë përdorimit pajisjen për të shmangur rrezikun që nxirrni ose kafshët e vogla të bllokohen brenda.

DEKLARATA KUJDESI

KUJDES

- Për të reduktuar rrezikun e zjarrit, goditjeve elektrike ose dëmtimeve të personave kur përdorni produktin tuaj, duhet të ndiqen masat bazë të sigurisë, përfshirë si më poshtë:
-

Instalimi

- Vendosi produktin në një dysheme të fortë dhe në nivel.
- Mos e vendosni tubin e shkarkimit poshtë lavastoviljes gjatë instalimit.

Përdorimi

- Mbylleni rubinetin e ujit dhe fikni pajisjen nëse pajisja nuk do të vendoset në përdorim për një kohë të gjatë, si psh gjatë pushimeve.
- Mos vendosni objekte në pjesën e sipërme të pajisjes.
- Mos fshini ose aplikoni mbi sipërfaqen e pajisjes detergjent lëng ose zbardhues (zbardhues të lëngshëm klori, zbardhues oksigjeni). Mosrespektimi i këtyre udhëzimeve mund të sjellë gërryerjen ose çngjyrosjen e shtresës së pajisjes.
- Mos e prekni shkarkuesin e ujit të lavastoviljes pasi mund të jetë i nxehtë.
- Nëse tubi i shkarkimit dhe tubi i furnizimit me ujë ngrijnë në dimër, shkrijini para përdorimit.
- Mos vendosni duart, këmbët ose objektet metalike poshtë ose pas pajisjes.
- Mos i lani enët e ndotura me produkte kimike si vaj, krem ose likuide që përdoren në qendër masazhi, dyqan produktesh kozmetike, sallon bukurie ose dyqan berberi.

Mirëmbajtja

- Nëse derdhet vaj gatimi në pjesën e jashtme të produktit, fshijeni menjëherë. Mos pastroni pjesën e jashtme të produktit me pastrues

që përmban alkool, hollues, zbardhues, benzinë, lëngje të djegshme ose gërryese. Këto substanca mund të çngjyrosin ose dëmtojnë pajisjen.

KUJDESI PËR MJEDISIN

Deponimi i pajisjes suaj të vjetër



- Të gjitha produktet elektrike dhe elektronike duhet të hidhen veçmas nga mbetjet e bashkisë përmes pikave të grumbullimit të caktuara nga qeveria ose autoritetet vendase.
- Produktet e vjetra elektrike mund të përmbajnë substanca të rrezikshme, kështu që hedhja e duhur e pajisjes tuaj të vjetër do të ndihmojë në parandalimin e pasojave të mundshme negative për mjedisin dhe shëndetin e njeriut. Pajisja juaj e vjetër mund të përmbajë pjesë që mund të ripërdoren për të riparuar produkte të tjera dhe materiale të tjera të vlefshme që mund të riciklohen për të ruajtur burimet e kufizuara.
- Mund ta çoni pajisjen tuaj në dyqanin ku keni blerë produktin, ose kontaktoni zyrën tuaj qeveritare të mbetjeve lokale për detajet e pikës më të afërt të grumbullimit të mbetjeve elektronike sipas WEEE. Për informacione të përditësuara për vendin tuaj, shihni www.lg.com/global/recycling.

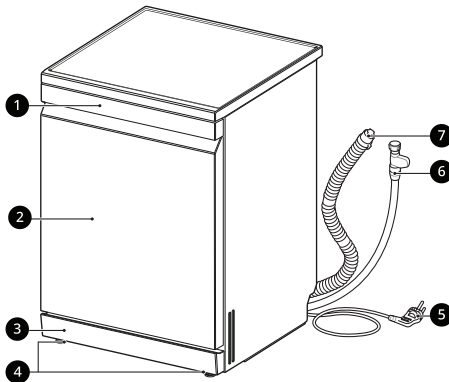
INSTALIMI

Pjesët dhe specifikimet

SHËNIM

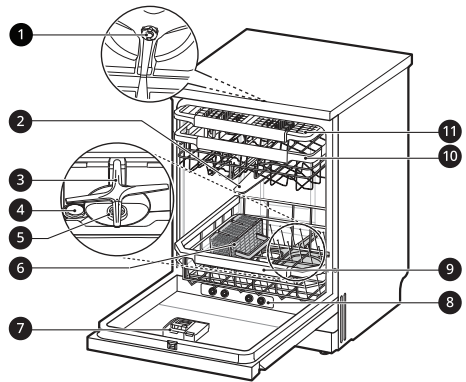
- Pamja dhe specifikimet mund të ndryshohen pa dhënë njoftim për përmirësimin e cilësisë së pajisjes.

Pamja e përparme



- 1 Paneli i kontrollit dhe doreza e derës
- 2 Kapaku i përparmë
- 3 Kapaku i poshtëm
- 4 Këmbët niveluese
- 5 Kordoni i energjisë
- 6 Tubi i furnizimit me ujë
- 7 Tubi i shkarkimit

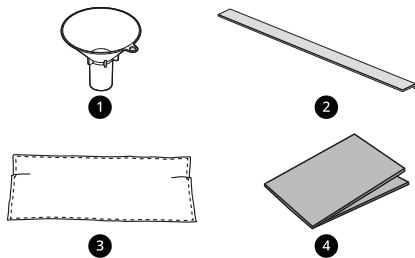
Pamja e brendshme



- 1 Helika e sipërme e larjes
- 2 Mekanizmi i sipërm i spërkatjes
- 3 Mekanizmi i poshtëm i spërkatjes
- 4 Ena e kripës
- 5 Sistemi i filtrimit
- 6 Koshi i takëmeve^{*1}
- 7 Detergjenti dhe dispenseri i shkëlqyesit të enëve
- 8 Hundëza e avullit^{*1}
- 9 Rafti i poshtëm
- 10 Rafti i sipërm
- 11 Rafti për takëmet^{*1}

^{*1} Kjo karakteristikë është e disponueshme vetëm në disa modele.

Aksesorët



- 1 Hinka
- 2 Ripi për zhurmën *1
- 3 Kapaku me veshje kundra zhurmës
- 4 Shiriti kundër lagështisë (Shiriti i aluminit)

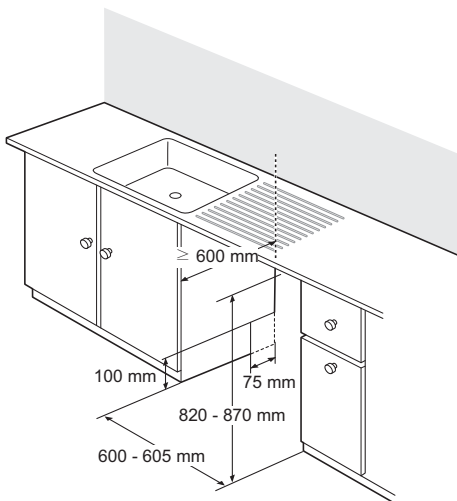
*1 Rripat për zhurmën janë të përfshira: I poshtëm - 1 EA, I përparmë - 1 EA, Anësor - 2 EA

Specifikime

Modeli	DF325*** / DF325**	DF425***
Furnizimi me energji	220 - 240 V~, 50 Hz	
Përmasat (Gjerësi X Thellësi X Lartësi)	600 mm X 600 mm X 850 mm	
Pesha e produktit	Afërsisht 49 kg	Afërsisht 52 kg
Kapaciteti maksimal	Cilësimi me 14 vendosje	
Presioni i lejueshëm i furnizimit me ujë	0,05 - 0,6 MPa	
Konsumi i energjisë	1600 - 1800 W	

Përgatitja e hapësirës së mobilies

Zgjedhja e vendit të duhur



- Instaloni pajisjen mbi dysheme me sipërfaqe të qëndrueshme dhe të sheshtë.
- Përshtateni çdo anë të saj për tuba dhe kablllo elektrikë. (Afërsisht 100 mm X 75 mm)
- Zgjidhni një vend sa më afër lavamanit të jetë e mundur për një lidhje të lehtë të ujit me tubat e shkarkimit.
- Për të siguruar kullimin, pajisja duhet të instalohet jo më larg se 1 metër nga lavamani.
- Nëse pajisja do të instalohet në një cep, lejoni një minimum hapësirë prej të paktën 50 mm ndërmjet pajisjes dhe bufesë ngjitur ose murit.
- Para se të shtyni pajisjen në hapësirën ku do të instalohet, duhet të bëhen të gjitha rregullimet e nevojshme të lartësisë duke përdorur një tra.

! KUJDES

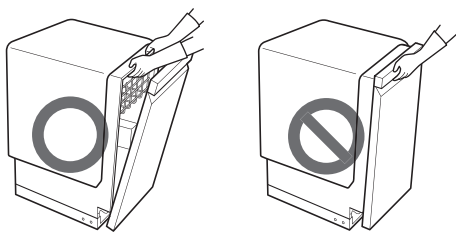
- Çdo pjesë druri e zhveshur që ndodhet afër pajisjes duhet të lyhet me një bojë të papërshkrueshme nga uji ose të izolohet për të parandaluar fryrjen e tij.
- Fusni me kujdes lavastoviljen në hapësirën e mobilies. Sigurohuni që tubi i shkarkimit pas

pajisjes dhe brenda mobilies të mos jetë përdredhur ose tendosur.

- Instaloni pajisjen në një vend të sheshtë dhe të qëndrueshëm. Mos vendosni ndonjë objekt ndërmjet dyshemesë dhe bazës ose në këmbët e pajisjes.

SHËNIM

- Instalimi duhet të kryhet nga një personel i kualifikuar për tu garantuar se është instaluar në mënyrën e duhur.
- Mos e tërhiqni dhe as mos e ngrini pajisjen duke përdorur dorezën; kjo mund të dëmtojë derën dhe menteshat. Hapni derën dhe kapni strukturën e trupit të pajisjes dhe hapjen e sipërme të përparme të brendësisë së pajisjes për të zhvendosur ose për të ngritur pajisjen.



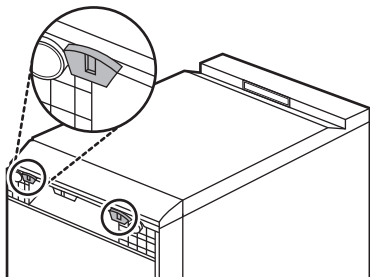
- Mos e shtyni derën e lavastoviljes me gjunjë.



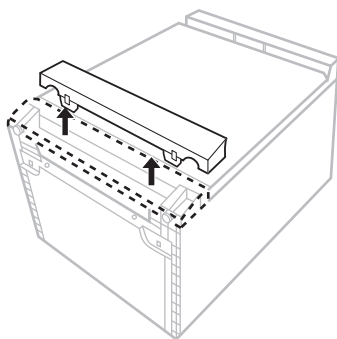
Ngjisni rripin me bazën e pajisjes

Për të reduktuar zhurmën, ngjisni rripin në bazën e pajisjes.

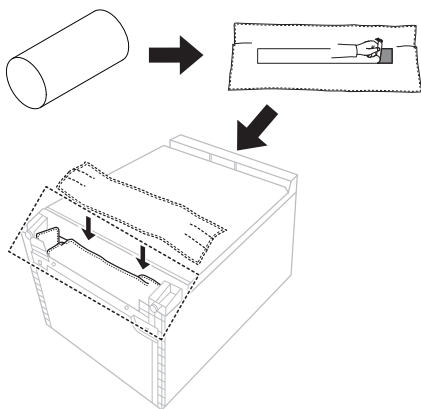
- 1** Shtrijeni pajisjen dhe tërhiqni të dyja mbajtëset në fund të kapakut të poshtëm.



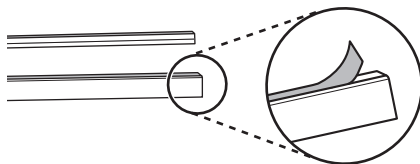
- 2** Tërhiqni kapakun e poshtëm për ta hequr atë.



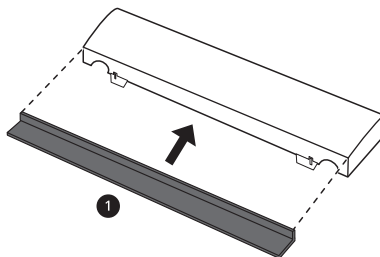
- 3** Hiqni shiritin me dy anë në pjesën e pasme të veshjes kundra zhurmës dhe ngjiteni atë në anën e përparme të pjesës fundore të pajisjes.



- 4** Hiqni shiritin me dy anë nga rripat e sipërm dhe të poshtëm.

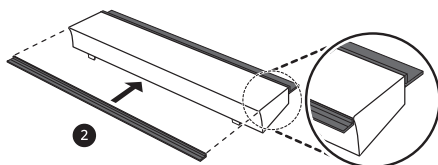


- 5** Ngjisni rripin e poshtëm me ngjyrë të zezë ① në fund të kapakut të poshtëm.

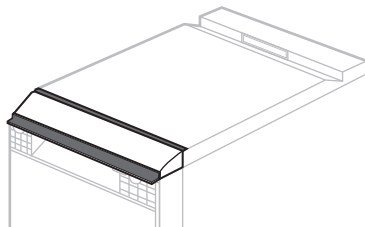


- 6** Ngjisni rripin e përparmë me ngjyrë të zezë ② sipër kapakut të poshtëm.

- Gjatësia e rripit të sipërm është më e madhe se kapaku i poshtëm. Ngjisni rripin e përparmë në mënyrë të tillë që pjesa e dalë të jetë e barabartë në të dyja anët e kapakut të poshtëm.



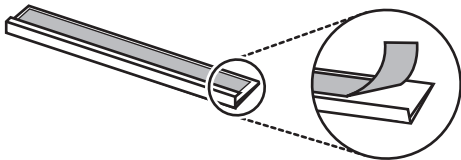
- 7** Ngjisni kapakun e poshtëm me rrip në pajisje.



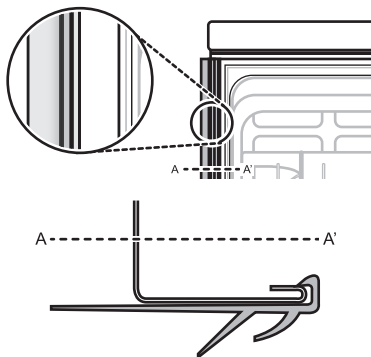
Ngjitja e rripit në Mobilien Anësore të Pajisjes

Për të reduktuar zhurmën, ngjisni rripin me anët e pajisjes nëse keni hapësirë të mjaftueshme.

- 1 Hiqni shiritin me dy anë nga rripat anësorë.



- 2 Lidhni rripin anësor përpara mobilies anësore dhe më pas shtyni poshtë rripin anësor në mënyrë që rripi anësor të ngjitet mirë pas mobilies.

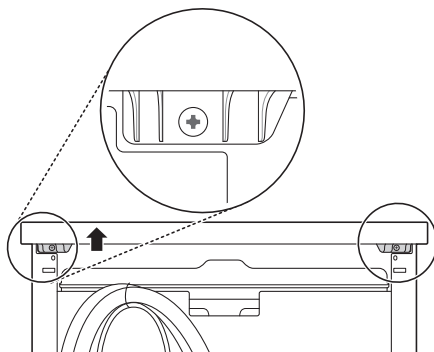


- 3 Përsërisni hapat e mësipërme për të bashkëngjitur rripin anësor në anën e kundërt me anën tjetër të mobilies.

Heqja e kapakut të sipërm

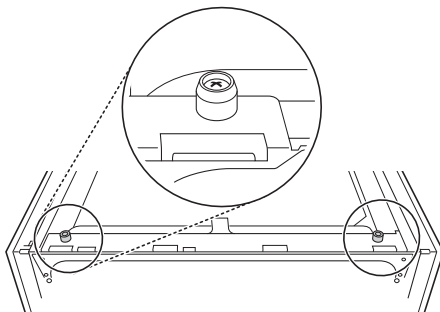
Nëse lartësia e pjesës së hapjes është poshtë 850 mm, ndiqni këto udhëzime.

- 1 Hiqni 2 vidat në pjesën e pasme.



- 2 Tërhiqni prapa kapakun e sipërm pasi të keni hequr të dyja vidat dhe më pas ngrijeni atë lart për ta hequr.

- 3 Hiqni të dyja gjilpërat e vendosura në pjesën e sipërme duke përdorur një kaçavidë Philllips.



SHËNIM

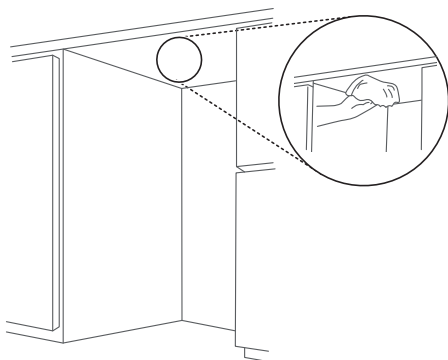
- Nëse pajisja është e niveluar siç duhet, nuk duhet të ketë asnjë anim, palëvizshmëri ose zhurmë fërkimi kur të hapet dera.

Instalimi i shiritit kundër lagështisë

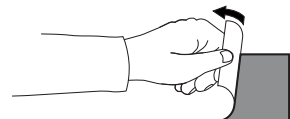
Kur pajisja instalohet pa kapakun e sipërm, pjesa poshtë banakut mund të dëmtohet nga avujt ose kondensimi kur hapet dera.

- Instaloni shiritin kundër lagështisë në pjesën e poshtme të banakut për ta mbrojtur banakun nga kondensimi kur të hapet pajisja.

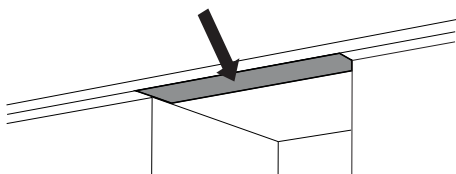
- 1** Pastroni dhe thani pjesën poshtë banakut ku do të ngjitet shiriti.



- 2** Hiqni shtresën e hollë mbrojtëse nga shiriti.



- 3** Instaloni shiritin në pjesën e poshtme të banakut.



SHËNIM

- Shiriti kundër lagështisë është i përfshirë në geset për montimin manual.
- Nëse pjesa e sipërme e banakut është i përbërë nga materiale graniti ose të papërshkueshme nga uji, shiriti kundër lagështirës nuk është i nevojshëm.
- Kondensimi mund të ndodhë në banak ose anën e përparme të banakut kur temperatura e dhomës është e ulët.

Nivelimi i pajisjes

Kontrolli i nivelit

Nivelimi i pajisjes parandalon rrjedhjet e panevojshme dhe larjen e dobët. Kontrolloni nëse pajisja është niveluar mirë pas instalimit.

- Nëse pajisja tundet kur e shtyni pjesën e sipërme të pajisjes në formë diagonale, rregulloni përsëri këmbët.

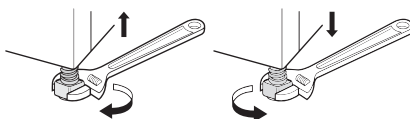
SHËNIM

- Pajisja nuk është në nivel nëse ka zhurmë lëkundjeje ose fërkimi kur hapet dera.

Rregullimi dhe nivelimi i pajisjes

Kur pajisja nuk është e niveluar mirë, rrotulloni këmbët e rregullueshme deri sa pajisja të mos tundet më.

- Rrotulloni këmbët e rregullueshme në drejtim orar për ta ngritur dhe rrotulloni këmbët e rregullueshme në drejtim kundërorar për ta ulur nga para pas, nga ana në anë dhe nga cepi në cep.



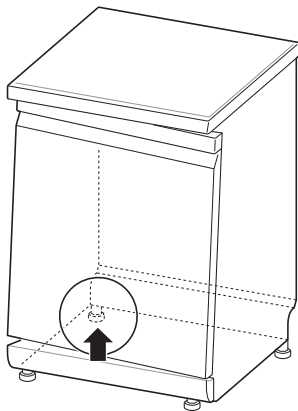
SHËNIM

- Vendoseni pajisjen në një dysheme të fortë dhe të niveluar.
- Mos e instaloni pajisjen në një sipërfaqe të ngritur.

Rasti 1. Dera anon në të djathtë

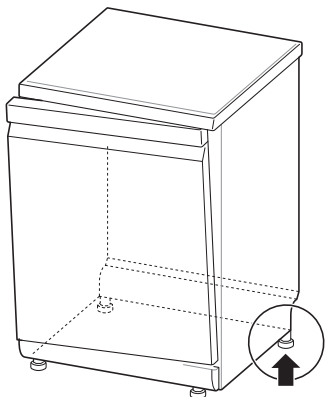
- 1** Zhvidhoseni (në drejtim kundër-orar) këmbën e pasme majtas dhe rregulloni nivelimin.

- 2** Kontrolloni hapjen e derës dhe përsëriteni nëse është e nevojshme derisa dera të hapet dhe të mbyllet siç duhet.



Rasti 2. Dera anon në të majtë

- 1** Zhvidhoseni (në drejtim kundër-orar) këmbën e pasme djathtas dhe rregulloni nivelimin.
- 2** Kontrolloni hapjen e derës dhe përsëriteni nëse është e nevojshme derisa dera të hapet dhe të mbyllet siç duhet.



Instalimi i tubit të shkarkimit

Nëse pjesa fundore e tubit të shkarkimit nuk i përshkakatet linjës së shkarkimit, përdorni një

zgjatues për shkarkimin (opsionale) që i reziston nxehtësisë dhe detergjentit.

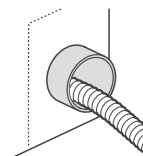
- Kjo mund të gjendet në një dyqan pajisjesh hidraulike ose në një dyqan pjesësh mekanike.

Lidhja me tapën e mbetjeve

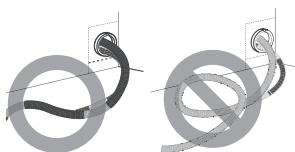
Kontrolloni tapën e mbetjeve kur e instaloni fillimisht. Mund të ndodhë një gabim □E kur tapa e mbetjeve poshtë lavamanit nuk nxirret ashtu siç duhet. Për të lidhur tubin e shkarkimit, hapni një vrimë me diametër të paktën 15 mm në tapën e mbetjeve para se të bëni lidhjen dhe ta siguroni.

⚠ KUJDES

- Sigurohuni që mbetjet plastike të mos mbeten brenda tapave pasi të jenë hequr.
- Mos tentoni të hapni vrimën e mbetjeve me një kaçavidë ose çekiç. Kjo gjë mund të bëjë që mbeturinat të ngecin dhe mund të shkaktojë defekte.
- Duhet të tregoni kujdes kur të kaloni tubat në vrimat e mobilies pasi ato mund të kenë cepa të mprehtë dhe mund të dëmtojnë tubat. Limoni ose fërkoni me rërë cepat për të shmangur dëmtimin e tubave të shkarkimit ose të furnizimit.



- Sigurohuni që linja të mos jetë e përdredhur ose e përthyer keq.

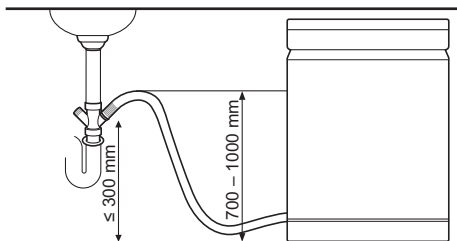


- Sigurohuni që tubi i shkarkimit të jetë i drejtë përpara se të fusni pjesën fundore të tij në vrimë për furnizimin me ujë.

Për të parandaluar efektin sifon, duhet të përdoret një nga metodat e mëposhtme.

Metoda 1

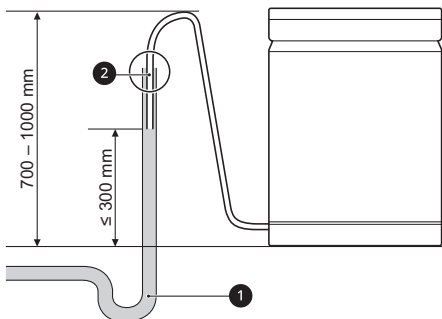
Kur tubi i shkarkimit është i lidhur me tapën e mbetjeve, tubi duhet të shtrëngohet dhe të sigurohet në pjesën e poshtme anash fronit.



Metoda 2

Kur tubi i shkarkimit lidhet me një tubacion më vete ❶, është e rëndësishme që të bëhet një lidhje e mirë ❷. Nëse jo, mund të shkaktojë aroma të këqija.

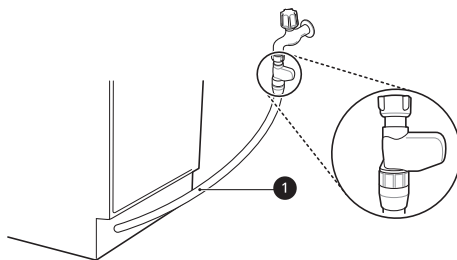
- Diametri i tubacionit është të paktën 40 mm.



Përgatitja e lidhjeve elektrike dhe të ujit

Lidhja e tubit me rubinetin e ujit

Lidhni tubin e furnizimit me ujë ❶ me rubinetin e ujit.

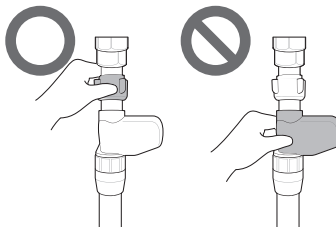


⚠ PARALAJMËRIM

- Mos e shkurtoni dhe as mos e dëmtoni tubin e furnizimit me ujë pasi ai përmban tela dhe përbërës elektrikë. Ai nuk mund të shkëputet dhe as të hiqet nga pajisja për qëllime instalimi.
- Është e rëndësishme që tubi i furnizimit me ujë të mos jetë ngatërruar, prerë, çmontuar, tërhequr apo përdredhur. Ai përmban tela elektrikë në brendësi dhe nëse dëmtohen, mund të shkaktojnë rreziqe elektrike.

⚠ KUJDES

- Përdorni vetëm vidat e filetuara të tubit të furnizimit me ujë për ta shtrënguar me rubinetin.
- Mos e palosni dhe as mos e përdridhni tubin e furnizimit me ujë kur ta lidhni me rubinetin.



⚠️ KUJDES

- Kjo pajisje mund të mbushet me ujë të nxehtë ose të ftohtë. Nëse lidhja me ujin nuk mund të ruhet nën 65°C, pajisja duhet të lidhet me ujin e ftohtë.
- Përdorni shirit izolues ose përbërës ngjitës në filetat e rubinetit për të shmangur rrjedhjen e ujit.
- Sigurohuni që linja të mos jetë e përdredhur ose e përthyer keq.

SHËNIM

- Para se të lidhni tubin e furnizimit me ujë me rubinetin, hapeni rubinetin për të nxjerrë jashtë substancat e huaja (papastërti, rërë, pluhur, etj.) në linjat e ujit. Lëreni ujin të derdhet në një kovë.
- Duhet rreth 3 – 4 për furnizimin e parë me ujë.

Lidhja e telave elektrike

Lidhni pajisjen me një prizë të tokëzuar në përputhje me rregulloret më të fundit të lidhjes së telave, e mbrojtur me një çelës qarku të paktën 15 amp ose me një siguresë për shtyrjen e kohës.

Lidhja duhet të jetë me dy tela me tokën.

Kordoni i energjisë nuk duhet të vendoset pas pajisjes por 1,2 metra anash në mënyrë që spina të jetë lehtësisht e aksesueshme.

⚠️ PARALAJMËRIM

- Për më shumë siguri personale, hiqeni siguresën e shtëpisë ose hapni çelësin e qarkut, ose fikeni prizën e energjisë përpara instalimit.
- Mos përdorni kablo zgjatimi ose përshtatës dysh.
- Spina duhet të jetë e lidhur në një prizë të përshtatshme e cila është instaluar dhe tokëzuar mirë në përputhje me të gjitha kodet dhe urdhërimet vendase.
- Riparimet në pajisje duhet të bëhen vetëm nga personeli i kualifikuar i shërbimit. Riparimet e kryera nga personat pa eksperiencë mund të shkaktojnë lëndime ose defekte serioze. Kontaktoni me qendrën lokale të shërbimit.

- Lidhni me një qark energjie me kapacitetin, mbrojtjen dhe përmasat e duhura për të shmangur mbingarkesën elektrike.

Kontrolli i fundit i instalimit

Testimi i lavastoviljes

- 1 Ndizni energjinë elektrike.
- 2 Ndizni furnizimin me ujë në shtëpi.
- 3 Dera duhet të hapet dhe të mbyllet lehtë dhe pa zhurma të forta nëse njësia është niveluar saktë.
- 4 Vëreni pajisjen në punë në ciklin **Rinse (Shpëlarja)** për të verifikuar që funksionon mirë dhe kontrolloni se mos ka rrjedhje.

Instalimi i kontrollit të kodeve të gabimit

Kodi i gabimit	Shkaqet e mundshme dhe zgjidhja
0E	<p>Tubi i shkarkimit i përdredhur ose bllokuar.</p> <ul style="list-style-type: none"> • Mbushini tubat e shkarkimit dhe furnizimit nga vrima poshtë lavamanit. Më pas, futeni gradualisht lavastoviljen në mobilie duke tërhequr lart tubat poshtë lavamanit që të mos lirohen. Kjo ndihmon që tubat të mos përdridhen dhe të mos ngecin poshtë lavastoviljes.
	<p>Tapa e mbetjeve poshtë lavamanit është bllokuar.</p> <ul style="list-style-type: none"> • Nxirreni tapën e mbetjeve poshtë lavamanit.

Kodi i gabimit	Shkaqet e mundshme dhe zgjidhja
I E	<p>Tubi i furnizimit me ujë është përdredhur poshtë lavastoviljes.</p> <ul style="list-style-type: none"> Mbushini tubat e shkarkimit dhe furnizimit nga vrima poshtë lavamanit. Më pas, futeni gradualisht lavastoviljen në mobilie duke tërhequr lart tubat poshtë lavamanit që të mos lirohen. Kjo ndihmon që tubat të mos përdridhen dhe të mos ngecin poshtë lavastoviljes.
	<p>Furnizimi me ujë në shtëpi nuk është hapur.</p> <ul style="list-style-type: none"> Hapeni ujin. Presioni i ujit mund të jetë shumë i lartë ose shumë i ulët.

PËRDORIMI

Përpara përdorimit

Ky model ka një zbutës uji për zbutjen e ujit të fortë.

SHËNIM

- Pajisja mund të përdoret pa kripë për lavastovilje nëse nuk kërkohet, gjithsesi, niveli i fortësisë së ujit duhet të jetë H0 në mënyrë që ikona të mos qëndrojë e ndezur.
- Për të dhënë rezultate të kënaqshme shpëlarjeje, pajisja ka nevojë për ujë të butë, p.sh., që përmban pak ose aspak gëlqere, përndryshe njollat e ujit do të mbeten në enë ose në pjesën e brendshme të pajisjes.
- Nëse uji në rubinet e tejkalon nivelin e caktuar të fortësisë së ujit, ai duhet të zbutet, d.m.th., të dekalcifikohet. Kjo arrihet duke shtuar kripë për lavastovilje në zbutësin e ujit brenda në pajisje. Sasia e kërkuar e kripës përcaktohet në varësi të fortësisë së ujit të rubinetit.

Kontrolli i nivelit të fortësisë së ujit

Metoda 1

- 1 Kontrolloni nivelin e fortësisë së ujit në zonën tuaj. Shoqëria e shërbimit të ujësjellësit mund t'ju ndihmojë me këtë.
- 2 Përcaktoni nivelin e zbutjes të sistemit të pajisjes sipas nivelit të fortësisë së ujit.

Metoda 2

Mund të kontrolloni fortësinë e ujit duke përdorur rripin e testimit të përfshirë në produkt.

- 1 Zhysni të gjitha zonat e reagimit të rripit të testimit për rreth një sekondë. Mos e bëni këtë me ujë të rrjedhshëm.
- 2 Shkundni lëngun e tepërt nga shiriti dhe prisni për 1 minutë.

- 3 Kontrolloni ngjyrën e fortësisë së ujit nga shiriti. Referojuni mbështjellëses.

Tabela e fortësisë së ujit

Fortësia e ujit							Niveli i zbutjes	Raporti* 1
ppm	°d	°e	°f	mmol/l (Ca+Mg)	mg/l (Ca)	Frekuenca		
0	<4	<5	<7	<0,7	<29	I butë	H0	-
75	4 - 7	5 - 9	7 - 13	0,7 - 1,3	29 - 50		H1	1:24 PD
125	7 - 14	9 - 17,5	13 - 25	1,3 - 2,5	50 - 100		H2	1:7
250	14 - 21	17,5 - 26	25 - 38	2,5 - 3,8	100 - 150		H3	1:4
375	>21	>26	>38	>3,8	>150	I fortë	H4	2:1

*1 Numri i përtëritjes(ve) të zbutësit të ujit*2: Numri i ciklit(ve) të larjes*3

*2 Përtëritja e zbutësit të ujit ndodh në fund të një operacioni të larjes kryesore me programin **Eco**.

*3 Cikli i larjes përbëhet nga 4 operacione (Paralarje, Larje kryesore, Shpëlarje, Shpëlarje e nxehtë) me programin **Eco**.

Konfigurimi i sistemit të zbutjes së ujit

Për rezultate sa më të mira të larjes, përshtatni konfigurimin përkatës për nivelin e fortësisë së ujit të përdorur në furnizimin me ujë. Zbutësi i ujit ka 5 nivele përshtatjeje dhe pajisja është e programuar nga fabrika për një fortësi uji të nivelit H2. Ju mund të kontrolloni vlerat automatike të cilësimeve dhe t'i përshtatni ato sipas hapave të mëposhtme:

- 1 Shtypni butonin **Energji** dhe **Half Load (Gjysmë Ngarkesë)** njëkohësisht.
 - Tregohet vlera aktuale e konfigurimit.
- 2 Shtypni butonin **Delay Start (Shtyrja e fillimit)** dhe më pas vendosni vlerën e menduar.
 - Shtyrja e konfigurimit të vlerës është nga H0 deri H4.
- 3 Shtypni butonin **Start (Fillo)** për të ruajtur konfigurimin.
 - Energjia fiket pas ruajtjes.

SHËNIM

- Ikona **Rimbushja me kripë** shfaqet në ekran nëse në sistemin e zbutjes nuk ka kripë për lavastovilje.
- Nëse konfigurimi i fortësisë vendoset në H0, nuk do të shfaqet asnjë ikonë pavarësisht kripës.

Mbushja me kripë për lavastovilje

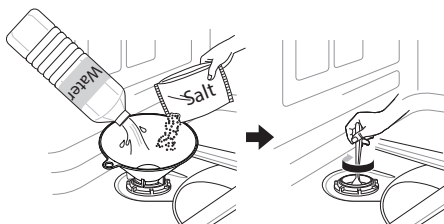
Dispenseri i kripës duhet të mbushet përpara se të filloni programin e lavastoviljes. Në rast se nuk ka mjaftueshëm kripë, do të shfaqet në ekran ikona **Rimbushja me kripë** , përveçse në rastin kur niveli i fortësisë është vendosur në H0.

⚠️ KUJDES

- Pasi ta kenë mbushur me kripë për lavastovilje, ju duhet të aktivizoni menjëherë ciklin e shpëlarjes për të hequr kripën dhe ujin e kripur nga pjesa e brendshme e pajisjes në mënyrë që të parandalohet gërryerja.

1 Hiqni raftin e poshtëm dhe tapën e dispenserit të kripës që ndodhet në anën e majtë të filtrave.

2 Para se të përdorni pajisjen për herë të parë, duhet të hidhni njëkohësisht 1 kg kripë për lavastovilje dhe 1 litër ujë nëse synoni të përdorni sistemin zbutës të ujit. Përdorni hinkën për rimbushjen e kripës. Referojuni seksionit **Përpara përdorimit**.



3 Rivendoseni mirë enën.

4 Aktivizoni ciklin **Rinse (Shpëlarja)** pa pjata.

Cikli i rimbushjes së kripës (1 kg për çdo ngarkesë)

	H1	H2	H3	H4
Ciklet	130	50	20	10

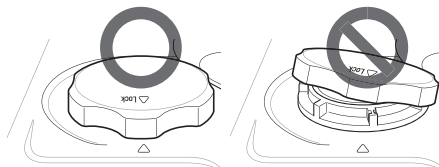
- Tabela përshkruan informacionin e programit **Auto (Automatike)**.
- Cikli mund të ndryshojë në varësi të sasisë së rimbushjes së kripës.

⚠️ KUJDES

- Mos hidhni asnjë detergjent në dispenserin e kripës. Kjo gjë mund të shkaktojë defekt.
- Fshini kripën që është derdhur rreth kapakut të dispenserit të kripës. Solucioni i kripës që

derdhet mund të shkaktojë gërryerje në brendësi dhe në ngarkesën e lavastoviljes.

- Vulosni kapakun siç duhet duke e vendosur horizontalisht dhe duke e kthyer atë në drejtim orar. Nëse kapaku nuk fiksohet mirë, solucioni i kripës mund të rrjedhë nga dispenserin e kripës në brendësi duke shkaktuar gërryerje.
- Pas rimbushjes së lavastoviljes me kripë, programi i larjes duhet të përdoret njëherë pa enë, pasi çdo kripë e derdhur brenda pajisjes mund të shkaktojë ndryshk ose dëmtim të pajisjes nëse lihet e palarë.



SHËNIM

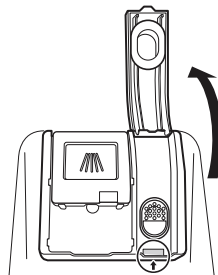
- Kripa mund të blihet nga firma shpërndarëse e kripës.

Hedhja e shkëlqyesit të enëve

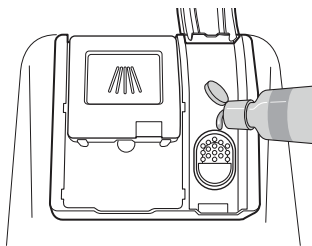
Treguesi **Shkëlqyes enësh** shfaqet në ekran kur nevojitet më shumë shkëlqyes enësh.

Përdorimi i shkëlqyesit të enëve rekomandohet për të parandaluar njollat në enë dhe për rezultate më të mira të tharjes.

- 1** Hapni kapakun e shkëlqyesit të enëve duke ngritur pjesën e sipërme.



- 2** Shtoni shkëlqyes enësh lëng deri në nivelin maksimal të mbushjes. Shkëlqyesi i enëve duhet të fiksohet në dispenser gjatë mbushjes, ose përndryshe tharja mund të mos jetë e mirë për shkak të fluskave të ajrit.



- 3** Mbyllni kapakun për të siguruar dispenserin. Shkëlqyesi i enëve do të shpërndahet automatikisht gjatë ciklit përfundimtar të shpëlarjes.

⚠️ KUJDES

- Fshini çdo shkëlqyes enësh të derdhur për të parandaluar shkurmbën.

SHËNIM

- Përdorni vetëm shkëlqyes enësh lëng për pajisjen.
- Mos mbushni më tepër seç duhet dispenserin e shkëlqyesit të enëve.
- Nëse hidhni më shumë ose më pak shkëlqyes enësh, rezultatet e tharjes mund të mos jenë të mira.
- Nëse shkëlqyesi i enëve rrjedh jashtë dispenserit, fshijeni atë. Përndryshe mund të bëhet shkurmbë dhe njolla në lavastovilje.

Konfigurimi i nivelit të shkëlqyesit të enëve

Dispenseri ka pesë nivele rregullimi. Programi automatik është në nivelin 2 të shkëlqyesit të enëve. Kjo mund të kontrollohet dhe të ndryshohet duke përdorur butonat në panelin e kontrollit.

- 1** Sigurohuni që pajisja të jetë e fikur.

- 2** Shtypni njëkohësisht **Energji** dhe **Dual Zone (Zonë e dyfishtë)** për të kontrolluar konfigurimin aktual.

- 3** Shtypni **Delay Start (Shtyrja e fillimit)** për të ndryshuar konfigurimin e dispenserit të shkëlqyesit të enëve. Sa herë që shtypi butonin konfigurimi ndryshon me një hap nga L0 (fikur) deri në L4.

- 4** Pasi të jetë zgjedhur konfigurimi i dëshiruar i dispenserit për shkëlqyesin e enëve shtypni **Start (Fillo)** për ta ruajtur.
- Energjia fiket pas ruajtjes.

⚠️ KUJDES

- Nëse kapaku i shkëlqyesit të enëve nuk mbyllet siç duhet, në brendësi të pajisjes do të kalojë një sasi e madhe shkëlqyesi, gjë e cila do të shkaktojë probleme në larje.

SHËNIM

- Ikona **Rimbushja me shkëlqyes enësh** ☼ do të ndizet nëse do të ketë nevojë për më shumë shkëlqyes enësh.
- Nëse vëreni njolla të zeza, vija ose njolla uji në enët e qelqit pas larjes, rrisni nivelin e konfigurimit.
- Konfigurimi i kontrollit në nivel shumë të lartë mund të shkaktojë shkurmbë, çka mund të shkaktojë larje me rezultate të dobëta.
- Nëse qelqi është i ndotur ose në fund të tij ka shkurmbë, ulni nivelin e konfigurimit.
- Konfigurimi i kontrollit të shkëlqyesit të enëve në nivel shumë të ulët mund të shkaktojë njolla ose vija tek enëve si edhe një tharje jo të mirë.

Përmbledhje e funksioneve

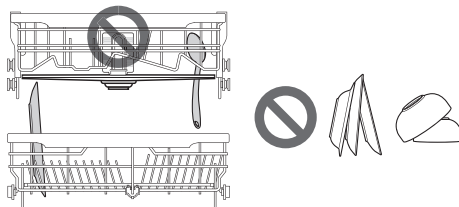
Përdorimi i pajisjes

- 1** Shtypni butonin **Energji**.
- Njësia do të ndizet. Kontrolloni treguesit.

2 Kontrolloni nëse gjendet në të shkëlqyes enësh ose kripë për lavastovilje.

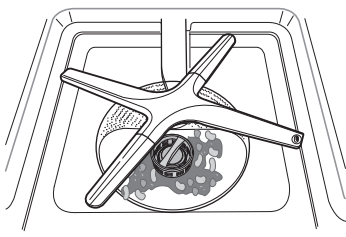
- Rimbusheni me shkëlqyes enësh dhe kripë për lavastovilje nëse ndizen ikonat përkatëse. Për më shumë informacion referojuni seksionit **Rimbushje**.
- ☹: Ikona e rimbushjes me kripë
- ✨: Ikona e rimbushjes me shkëlqyes enësh

- Mos i vendosni enët njëra mbi tjetrën.



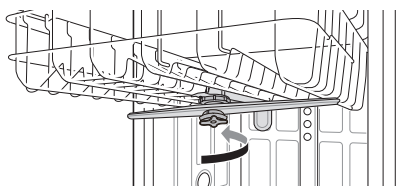
3 Hapni derën dhe kontrolloni filtrat.

- Pastroni gjithmonë filtrat para ose pas larjes në mënyrë që të mos ndikojë rezultatet e larjes.



4 Sigurohuni që mekanizmat e spërkatjes të mund të rrotullohen pa pengesa.

- Sigurohuni që mekanizmat e sipërme dhe të poshtme të spërkatjes të rrotullohen mirë. Hiqni mekanizmin e spërkatjes dhe pastrojeni atë nëse nuk rrotullohet.

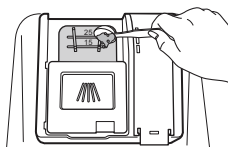


5 Vendosni enët në raft.

- Sigurohuni që asnjë enë apo mjet kuzhine të mos pengojë mekanizmat e spërkatjes.

6 Hidhni sasinë e duhur të detergjentit pluhur në dispenser.

- Nëse përdorni tableta, thjesht mund ti vendosni ato drejtpërdrejtë në bazën e brendësisë së pajisjes ose në pjesën e poshtme të pjesës së brendshme të derës.



7 Konfiguro dhe fillo programin.

- Programi do të fillojë automatikisht në 4 sekonda pasi të jetë zgjedhur çdo konfigurim.

⚠ PARALAJMËRIM

- Mos vendosni asnjë enë në raftin e sipërm gjatë kohës kur nxirret dhe mbushet rafti i poshtëm. Nëse nuk veproni në një mënyrë të tillë mund të shkaktohen dëmtime pasi pajisja mund të bëhet e pabalancuar dhe të rrëzohet.
- Shtyni raftin e sipërm deri në fund.
- Boshatisni në fillim raftin e poshtëm dhe më pas raftin e sipërm. Kjo do të pengojë rrjedhjen e ujit nga rafti i sipërm tek enët e vendosura poshtë.
- Mos e hapni derën kur pajisja është në punë ose menjëherë pasi të ketë përfunduar cikli i larjes pasi avulli mund të shkaktojë djegie derisa të hapet dera.

SHËNIM

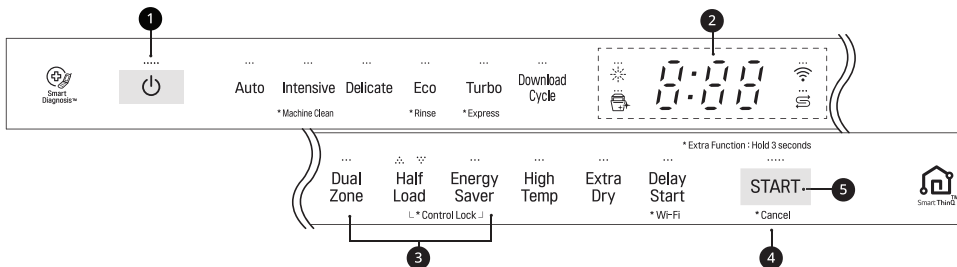
- Asnjëherë mos përdorni detergjent për lavastovilje të lëngshëm në pajisje.

- Nuk rekomandohet të shpëlani enët me dorë përpara se të vendosni në punë lavastoviljen pasi kjo rrit konsumin e ujit dhe të energjisë.
 - Larja e takëmeve të shtëpisë në një lavastovilje shtëpie konsumon më pak energji dhe ujë në fazën përdorimit se sa po të lani enët me dorë, kur lavastovilja përdoret sipas udhëzimeve të prodhuesit.
-

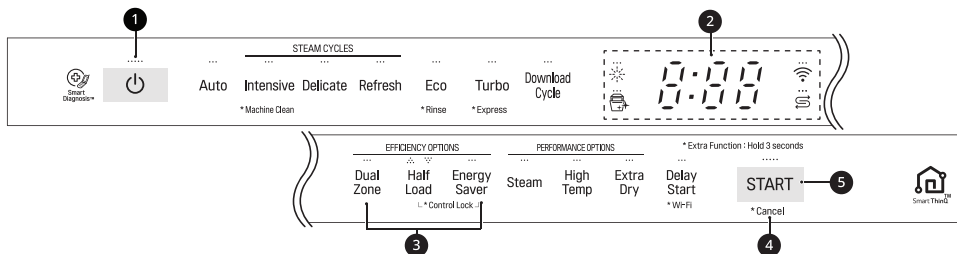
Paneli i kontrollit

Karakteristikat e panelit të kontrollit

Për modelet pa avull



Për modelet me avull





1 Energji

- Shtypni butonin **Energji** për ta ndezur ose fikur.
- Pasi cikli të ketë përfunduar, energjia do të fiket automatikisht për qëllime sigurie dhe ekonomie.
- Nëse ka një rritje të energjisë, ndërprerje të energjisë ose çrregullime të çdo lloji, energjia do të fiket automatikisht për arsye sigurie.
- Kur energjia të jetë përsëri e lidhur, ajo do të ndizet automatikisht dhe do të rifillojë ciklin.

2 Ekrani

- **8:88** : **Ekrani digjital**
 - Ekrani digjital në panelin e kontrollit tregon kohën e PËRLLLOGARITUR të ciklit. Pasi përzgjidhet cikli dhe opsionet, në ekran shfaqet koha totale e përlllogaritur për përfundimin e opsioneve të përzgjedhura. Gjatë punës, ekрани tregon kohën e mbetur deri në përfundim.
 - Koha e përlllogaritur e shfaqur në ekran nuk përfshin shtyrjen e kohës për ngrohjen e ujit, etj.
 - Nëse përzgjidhni **Delay Start (Shtyrja e fillimit)** ekrani do të tregojë kohën e shtyrë në orë.
 - Koha e ciklit **Auto (Automatike)** mund të ndryshojë në varësi të nivelit të ndotjes së enëve.
- **☀** : **Ikona e shkëlqyesit të enëve**
 - Ikona lëshon sinjal kur niveli i shkëlqyesit të enëve është i ulët. Drita LED do të fiket automatikisht kur shkëlqyesi i enëve të jetë rimbushur ose niveli të jetë i vendosur në 0.
- **🔧** : **Ikona e Pastrimit të makinerisë**

- Kjo ikonë lëshon sinjal pas çdo 30 ciklesh.
- Për të aktivizuar ose çaktivizuar ikonën, shtypni butonin **Delicate (Delikate)** për 3 sekonda.
-  : **Wi-Fi**
 - Pasi pajisja të jetë lidhur me internetin përmes një rrjeti Wi-Fi në shtëpi, kjo ikonë do të ndizet.
-  : **Ikona e rimbushjes me kripë**
 - Ikona lëshon sinjal kur niveli i kripës është i ulët. Drita LED do të fiket automatikisht kur kripa të jetë rimbushur.

3 Alarmi i ndezur/fikur

- Për të aktivizuar dhe çaktivizuar butonin e tingullit, shtypni dhe mbani të shtypur njëkohësisht për 3 sekonda **Dual Zone (Zonë e dyfishtë)** dhe **Energy Saver (Ruajtës Energjie)**. Tingulli i sinjalit të gabimit nuk mund të fiket.

4 Cancel (Anulo)

- Ndizet pompa e shkarkimit dhe cikli anulohet. Pasi pajisja të përfundojë shkarkimin, energjia fiket.
- Shtypni dhe mbani shtypur butonin **Start (Fillo)** për 3 sekonda për të aktivizuar funksionin e anulimit.

5 Start (Fillo)

- Për ta vënë në punë pajisjen, mbyllni derën dhe shtypni butonin **Start (Fillo)**.
- Nëse butoni **Start (Fillo)** nuk shtypet brenda 4 minutash për të filluar ciklin, energjia do të fiket automatikisht.

Ciklet e larjes

Auto (Automatike)

Ky cikël ndjen nivelin e ndotjes dhe qartësinë e ujit si edhe optimizon larjen për të arritur pastrimin më të mirë. Koha e larjes mund të ndryshojë në varësi të nivelit të ndotjes.

Intensive (Intensiv)

Ky cikël është për enë shumë të ndotura dhe enë që kanë zënë kore. Ky cikël aktivizon në mënyrë automatike intensitetin më të fortë të spërkatjes dhe e përdor për të larë enë shumë të ndotura.

Delicate (Delikate)

Përdorni këtë cikël për enë delikate si porcelani dhe gotat me fron.

Refresh (Rifresko)

Ky cikël freskon dhe ngroh enët që nuk janë përdorur për një kohë të gjatë.

- Mos përdorni detergjent gjatë përdorimit të këtij cikli.

Eco

Kjo ofron konsumin më efikas të energjisë dhe të ujit për rezultate më të mira të larjes dhe tharjes në një ngarkesë me nivel normal ndotje dhe sepse përdoret shumë pak energji elektrike.

Turbo

Ky Me këtë cikël mund të lahen enë me nivel të moderuar ndotje, duke përdorur pak më shumë energji dhe ujë.

- **Extra Dry (Tharje shtesë)** vendoset në modalitetin automatik. Nëse dëshironi të thani enët pas larjes, fikni opsioni **Extra Dry (Tharje**

shtesë). Nëse nuk i thani enët, koha e ciklit do të jetë më e shkurtër.

Download Cycle (Shkarkimi i Ciklit)

Përdor një cikël të dedikuar që mund ta shkarkoni nëpërmjet Wi-Fi ose NFC. (në varësi të modelit).

SHËNIM

- Në pajisje shfaqet vetëm kodi i ciklit për ciklin e shkarkuar aktualisht. Shihni aplikacionin e telefonit inteligjent për kodet e cikleve, emrat dhe për më shumë informacione rreth cikleve të disponueshme.
- Cikli Automatik: P1. Ibrikë dhe Tenxhere

Machine Clean (Pastrimi i makinerisë)

Ky cikël është për pastrimin brenda pajisjes. Përdoreni këtë cikël pa enët në pajisje. Eliminon ndotjen, aromat e këqija, njollat e bardha, gëlqeren dhe papastërtitë e tjera. Shtoni acid nitrik ose një agjent tjetër pastrues për rezultate më efektive.

- Shtypni dhe mbani shtypur **Intensive (Intensiv)** për 3 sekonda për ta aktivizuar.

Rinse (Shpëlarje)

Ky cikël është një shpëlarje e shpejtë për enët që nuk do të lahen menjëherë. Cikli shpëlan enët shumë të ndotura për të zbutur mbetjet e thara. Shpëlarja e enëve ndihmon në parandalimin e aromave të këqija në pajisje.

- Shtypni dhe mbani shtypur **Eco** për 3 sekonda për ta aktivizuar.

SHËNIM

- Mos përdorni detergjent gjatë përdorimit të këtij opsioni.
- Ky cikël nuk përfshin tharjen.

Express (Ekspres)

Ky cikël pastron shpejt enët që janë pak të ndotura.

- Shtypni dhe mbani shtypur **Turbo** për 3 sekonda për ta aktivizuar.

SHËNIM

- Ky cikël nuk përfshin tharjen. Përzgjidhni opsionin **Extra Dry (Tharje shtesë)** ose një cikël tjetër për një tharje më të mirë. **Extra Dry (Tharje shtesë)** do të shtohet në kohën e përgjithshme të ciklit.
- Detergjentet në tableta nuk rekomandohen të përdoren në ciklin **Express (Ekspres)**. Nëse përdoren detergjente në tableta, mund të bëjnë që të ngelen mbetjet e detergjentit në enë për shkak të temperaturës relativisht të ulët të shpëlarjes.

Opsionet dhe funksionet shtesë

Zgjidhni butonin e dëshiruar të ciklit dhe pastaj zgjidhni opsionet për atë cikël. Për më shumë informacion, shihni seksionin **Udhëzuesi i Ciklit/Opsioneve**.

Dual Zone (Zonë e dyfishtë)

Ky opsion përcakton në mënyrë automatike intensitetin e spërkatjes në nivel të ulët për mekanizmin e sipërm të spërkatjes dhe në nivel të lartë për mekanizmin e poshtëm të spërkatjes. Vendosini enët shumë të ndotura si për shembull pjata dhe tasa në raftin e poshtëm dhe enët pak të ndotura si për shembull filxhanët dhe pjatat e vogla në raftin e sipërm për rezultate sa më të mira.

Half Load (Gjysmë Ngarkesë)

Ky opsion lan intensivisht duke përzgjedhur raftin e sipërm ose të poshtëm. Për ngarkesa të vogla përdor thjesht raftin e sipërm ose të poshtëm në mënyrë që të kurseni energji edhe kohë. Duke shtypur butonin **Half Load (Gjysmë Ngarkesë)**, cilësimet ∴ (Sipër), ∴ (Poshtë) dhe anulimi i këtij opsioni janë të disponueshme.

Energy Saver (Ruajtës Energjie)

Ky opsion kursen energji duke reduktuar temperaturën e larjes dhe të shpëlarjes. Koha e larjes rritet për të ruajtur rezultatet e larjes. Mos e përdorni këtë cikël për enë shumë të ndotura.

Steam (Avull)

Ky opsion shton avullin gjatë ciklit për rezultate sa më të mira larje.

High Temp (Temperaturë e Lartë)

Rrit temperaturën e larjes kryesore dhe të shpëlarjes me ujë të ngrohtë për të përmirësuar pastrimin.

- Do të ndizet një alarm për t'ju lajmëruar për temperaturën e mbetur brenda pajisjes. Prisni që pajisja të ftohet plotësisht përpara se të hapni derën.

Extra Dry (Tharje shtesë)

Zgjidhni këtë opsion për rezultate sa më të mira tharje. Me këtë opsion shtoni kohën e tharjes në cikël dhe rrisni temperaturën e nxehtësisë së tharjes.

- Kur shkëlqyesi i enëve ka mbaruar, ky opsion zgjidhet automatikisht.

Delay Start (Shtyrja e fillimit)

Ky funksion vonon fillimin e ciklit të përzgjedhur. Sa herë që butoni **Delay Start (Shtyrja e fillimit)** është i shtypur, shtyrja e kohës rritet me një orë. Shtyrja e kohës mund të konfigurohet nga 1 në 12 orë, duke u rritur me nga një orë.

- Për të anuluar këtë funksion, fikni energjinë.
- Për të ndryshuar ciklin dhe opsionin e ciklit, hapni derën dhe më pas përzgjidhni në tjetër cikël dhe opsion cikli. Numërimi mbrapsht do të vazhdojë.

Control Lock (Kyçi i kontrollit)

Ky funksion ndihmon për të parandaluar ndryshimin e konfigurimit gjatë ciklit. Nëse zgjidhni këtë funksion, të gjithë butonat do të kyçen, përveç butonit **Energji** në panelin e kontrollit. Ky funksion nuk e kyç derën.

- Në modelet me ekran të jashtëm, ndërkohë që cikli është në punë, shtypni dhe mbani shtypur **Half Load (Gjysmë Ngarkesë)** dhe **Energy Saver (Ruajtës Energjie)** njëkohësisht për 3 sekonda për të aktivizuar ose çaktivizuar këtë funksion. Në modelet me ekran të fshehur, hapni derën gjatë funksionimit dhe ndiqni të njëjtat udhëzime.
- Kur ky funksion është i aktivizuar, në ekran do të shfaqet kodi CL .
- Për të nisur një cikël të ri, çaktivizoni këtë funksion.
- Ky funksion mund të vendoset në çdo kohë duke ndezur pajisjen.

Wi-Fi

Shtypni dhe mbajeni shtypur **Delay Start (Shtyrja e fillimit)** për 3 sekonda për tu lidhur me rrjetin. Referojuni seksioneve **FUNKSIONET INTELIGJENTE** për informacione më të hollësishme rreth këtij funksioni.

Hapja automatike pas tharjes

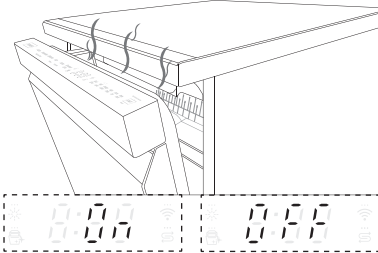
Ky funksion mund të ndryshojë në varësi të modelit të blerë.

Dera do të hapet automatikisht kur të ketë përfunduar programi që përfshin edhe tharjen, për rezultate më të mira të tharjes.

- Për të aktivizuar ose çaktivizuar këtë funksion, shtypni dhe mbani shtypur butonin **Energy Saver (Ruajtës Energjie)** dhe butonin **High Temp (Temperaturë e Lartë)** njëkohësisht për 3 sekonda.
- Ky funksion nuk mund të përdoret kur është përzgjedhur cikli **Machine Clean (Pastrimi i makinerisë)** dhe **Rinse (Shpëlarja)**.
- Kur zgjidhni **Download Cycle (Shkarkimi i Ciklit)**, ky funksion mund të punojë edhe sikur ta

keni çaktivizuar. Kjo ndodh sepse **Download Cycle (Shkarkimi i Ciklit)** është projektuar për rezultate më të mira për një qëllim të caktuar, pavarësisht nga konfigurimi i pajisjes.

- Në ekran tregohen nëse ky funksion është i ndezur apo i fikur.



E gjelbër (djathtas)

Llamba e gjelbër ndriçohet kur cikli ka përfunduar. Kur dera është e hapur, llamba fiket.

- Nëse pajisja nuk e identifikon që dera është hapur, llamba do të fiket pas 90 sekondash.

⚠ PARALAJMËRIM

- Mbajini fëmijët larg pajisjes ndërkohë që pajisja është në punë. Ekspozimi ndaj avujve me temperaturë të lartë mund të shkaktojë përvëlím ose djegie.

SignalLight™

Ky funksion mund të ndryshojë në varësi të modelit të blerë.

SignalLight™ tregon statusin e pajisjes, nëse është hasur ndonjë problem, nëse funksionon siç duhet, ose nëse është gati për larjen e enëve.

- Në varësi të modelit, llamba mund të jetë vendosur në pjesën e përparme të pajisjes ose në pjesën e sipërme të derës.

E kuqe (majtas)

Llamba e kuqe pulson kur pajisja pëson ndonjë defekt. Për më shumë informacion për këtë defekt, shihni **Kodi i Gabimit** që është pjesë e seksionit **ZGJIDHJA E PROBLEMEVE**.

E bardhë (në mes)

Llamba e bardhë pulson kur zgjidhni opsionin e një cikli ose kur një cikël është ndaluar.

- Llamba e bardhë ndriçohet kur cikli është në punë.

Tabela e programeve

Udhëzuesi i programit

Për modelet DF425***

Program et	Niveli i ndotjes	Larje		Rinse (Shpëlarje)		Tharje
		Paralarje	Larja kryesore	Rinse (Shpëlarje)	Shpëlarje e nxehtë	
Auto (Automatike)	Të gjitha nivelet	●	● (65 - 70 °C)	●	● (62 °C) ^{*1} (70 °C) ^{*2}	●
Intensive (Intensiv)	E rëndë	●	● (75 °C)	●	● (62 °C) ^{*1} (70 °C) ^{*2}	●
Delicate (Delikate)	E lehtë	●	● (55 °C)	●	● (62 °C) ^{*1} (70 °C) ^{*2}	●
Refresh (Rifresko) ^{*1}		●		●	● (62 °C) ^{*1} (75 °C) ^{*2}	●
Eco	E moderuar	●	● (46 °C) ^{*1} (42 °C) ^{*2}	●	● (54 °C) ^{*1} (64 °C) ^{*2}	●
Turbo	E moderuar	●	● (65 °C)	●	● (62 °C) ^{*1} (65 °C) ^{*2}	
Express (Ekspres)	E lehtë	●	● (45 °C)	●	● (62 °C) ^{*1} (60 °C) ^{*2}	
Rinse (Shpëlarja)	E lehtë			●		

34 PËRDORIMI

Program et	Niveli i ndotjes	Larje		Rinse (Shpëlarje)		Tharje
		Paralarje	Larja kryesore	Rinse (Shpëlarje)	Shpëlarje e nxehtë	
Machine Clean (Pastrimi i makinerisë)		●	● (50 °C)	●	● (70 °C)	●

*1 Funkzioni **Hapje automatike pas tharjes** është ndezur.

*2 Funkzioni **Hapje automatike pas tharjes** është fikur.

SHËNIM

- Koha e punës mund të ndryshojë në varësi të temperaturës së ujit, temperaturës së ambientit, presionit të ujit dhe tensionit.
- Informacioni lidhur me vlerat e dhëna për programet, përveç programit eko, janë vetëm treguese.
- Kur aktivizohet funksioni **Hapja Automatike pas Tharjes**, ngrohja e temperaturës së shpëlarjes ndryshon.

Për modelet DF325*** / DF325**

Program et	Niveli i ndotjes	Larje		Rinse (Shpëlarje)		Tharje
		Paralarje	Larja kryesore	Rinse (Shpëlarje e)	Shpëlarje e nxehtë	
Auto (Automatike)	Të gjitha nivelet	●	● (65 - 70 °C)	●	● (70 °C)	●
Intensive (Intensiv)	E rëndë	●	● (75 °C)	●	● (70 °C)	●
Delicate (Delikate)	E lehtë	●	● (55 °C)	●	● (70 °C)	●
Refresh (Rifresko) *1		●		●	● (75 °C)	●
Eco	E moderuar	●	● (42 °C)	●	● (64 °C)	●
Turbo	E moderuar	●	● (65 °C)	●	● (65 °C)	
Express (Ekspres)	E lehtë	●	● (45 °C)	●	● (60 °C)	
Rinse (Shpëlarja)	E lehtë			●		
Machine Clean (Pastrimi i makinerisë)		●	● (50 °C)	●	● (70 °C)	●

*1 Për modelet me avull

SHËNIM

- Koha e punës mund të ndryshojë në varësi të temperaturës së ujit, temperaturës së ambientit, presionit të ujit dhe tensionit.
- Informacioni lidhur me vlerat e dhëna për programet, përveç programit eko, janë vetëm treguese.

Rregullorja për Evropën (Për modelet DF425***)

Programet	Konsumi i ujit*1	Konsumi i energjisë (kWh)*1	Kohëzgjatja (min)*1
Auto (Automatike)	12,9	0,91 - 0,97	162
Intensive (Intensiv)	23,1	1,60	185
Delicate (Delikate)	16,5	1,07	124
Eco	9,5	0,85	193
Refresh (Rifresko)	10,0	0,76	120
Turbo	18,5	0,84	78
Express (Ekspres)	9,6	0,58	56
Rinse (Shpëlarja)	6,6	0,01	18
Machine Clean (Pastrimi i makinerisë)	12	0,78	83

*1 Funksioni **Hapje automatike pas tharjes** është ndezur.

SHËNIM

- Data e dhënë mund të ndryshojnë në varësi të kushteve individuale.

Rregullorja për Evropën (Për modelet DF325*** / DF325**)

Programet	Konsumi i ujit	Konsumi i energjisë (kWh)	Kohëzgjatja (min)
Auto (Automatike)	13,1	1,08 - 1,17	195
Intensive (Intensiv)	23,9	1,76	185
Delicate (Delikate)	16,8	1,14	124
Eco	9,5	0,95	228
Refresh (Rifresko)*1	9,8	0,78	66
Turbo	18,8	0,87	59
Express (Ekspres)	12,4	0,61	38
Rinse (Shpëlarja)	6,5	0,01	18
Machine Clean (Pastrimi i makinerisë)	12,1	0,75	83

*1 Për modelet me avull

SHËNIM

- Data e dhënë mund të ndryshojnë në varësi të kushteve individuale.

SHËNIM

- Rregullorja BE 2019/2022, e vlefshme nga 1 mars 2021, lidhet me klasat e efikasitetit të energjisë sipas Rregullores BE 2019/2017.
- Skanoni kodin QR në etiketën e energjisë të dhënë bashkë me pajisjen, ku është shënuar një link në internet për informacionin që lidhet me performancën e pajisjes në bazën e të dhënave të EPREL të BE-së. Ruajeni për referencë etiketën e energjisë së bashku me manualin e zotëruesit dhe të gjitha dokumentet e tjera të dhëna me pajisjen.
- Emri i modelit mund të gjendet në etiketën e vlerësimit të pajisjes. Oprite vrata in si oglejte desno stran vrat.
- Për të gjetur të njëjtin informacion në EPREL, vizitoni faqen <https://eprel.ec.europa.eu> dhe kërkoni duke përdorur emrin e modelit. (E vlefshme nga data 1 mars 2021)

Opsionet e disponueshme

SHËNIM

- Opsioni **Energy Saver (Ruajtës Energjie)** nuk është i disponueshëm në opsionin **High Temp (Temperaturë e Lartë)** ose **Extra Dry (Tharje shtesë)**.
- Opsioni **Delay Start (Shtyrja e fillimit)** mund të zgjidhet për çdo program larje në këtë tabelë.

Për modelet pa avull

Programet	Dual Zone (Zonë e dyfishtë)	Half Load (Gjysmë Ngarkesë)	Energy Saver (Ruajtës Energjie)	High Temp (Temperaturë e Lartë)	Extra Dry (Tharje shtesë)
Auto (Automatike)	●	●	●	●	●
Intensive (Intensiv)	●	●		●	●
Delicate (Delikate)		●	●		●
Eco	●	●	●	●	●
Turbo	●			●	●
Express (Ekspres)	●			●	●
Rinse (Shpëlarja)					
Machine Clean (Pastrimi i makinerisë)					
Download Cycle (Shkarkimi i Ciklit)					

Për modelet me avull

Programet	Dual Zone (Zonë e dyfishtë)	Half Load (Gjysmë Ngarkesë)	Energy Saver (Ruajtës Energjie)	Steam (Avull)	High Temp (Temperaturë e Lartë)	Extra Dry (Tharje shtesë)
Auto (Automatike)	●	●	●	●	●	●
Intensive (Intensiv)	●	●		●	●	●
Delicate (Delikate)		●	●	●		●
Refresh (Rifresko)				●		●
Eco	●	●	●	●	●	●
Turbo	●			●	●	●
Express (Ekspres)	●				●	●
Rinse (Shpëlarja)						
Machine Clean (Pastrimi i makinerisë)						
Download Cycle (Shkarkimi i Ciklit)						

Informacione për testimin

Për modelet me funksionin e hapjes automatike pas tharjes

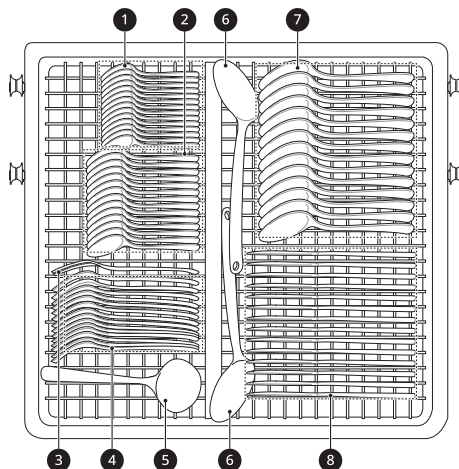
- Kapaciteti: cilësimi me 14 vendosje
- Programi i krahasimit: **Eco**
- Konfigurimi i shkëlqyesit të enëve: L4
- Pastruesi referencë: 22 g detergjent në brendësi të dispenserit.
- Raft me lartësi të përshtatshme - Pozicioni U: I mesit
- Konfigurimi i **Hapja Automatike pas Tharjes**: Ndezur
- Lloji i filtrit: Manual

Për modelet pa funksionin e hapjes automatike pas tharjes

- Kapaciteti: cilësimi me 14 vendosje
- Programi i krahasimit: **Eco**
- Konfigurimi i shkëlqyesit të enëve: L4
- Pastruesi referencë: 22 g detergjent në brendësi të dispenserit.
- Raft me lartësi të përshtatshme - Pozicioni U: I mesit
- Lloji i filtrit: Manual

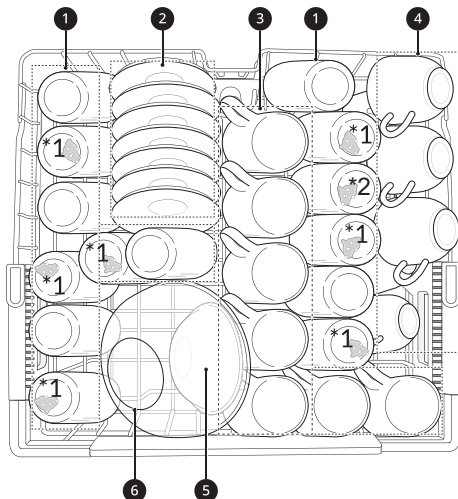
Vendosja e enëve

Koshi i takëmeve



- 1 Lugë çaji (Pa njolla)
- 2 Lugë ëmbëlsirash (Pa njolla)
- 3 Pirunë shërbimi (Pa njolla)
- 4 Pirunë (Vezë)
- 5 Garuzhdë me lëng mishi (Pa njolla)
- 6 Lugë shërbimi (Pa njolla)
- 7 Lugë supe (Tërshërë)
 - Një në 2 lugë supe është me njolla.
- 8 Thika (Pa njolla)

Rafti i sipërm



1 Gota (Qumësht)

*1 Janë 7 gota pis me qumësht.

*2 Gotë qumështi për EN60704-2-3: 2020

2 Pjata filxhani (Çaj i zi)

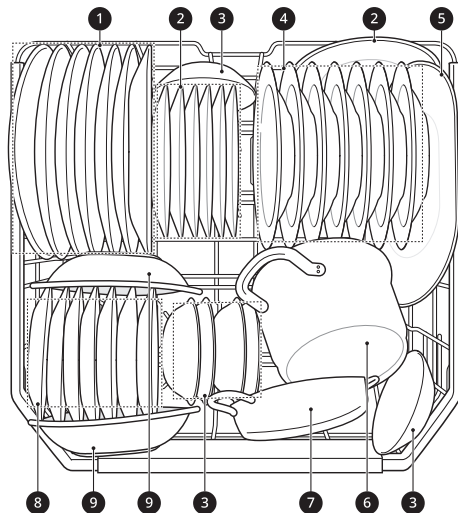
3 Filxhanë kupë (Çaj i zi)

4 Filxhanë (Çaj i zi)

5 Tas ëmbëlsirash (Tërshërë)

6 Tasa qelqi (Mish)

Rafti i poshtëm



1 Pjatat e darkës (Vezë)

2 Pjata ëmbëlsirash melamine (Vezë)

3 Tasa ëmbëlsirash (Tërshërë)

4 Pjata supe (Tërshërë)

5 Pjatançë vezake (Mish)

6 Ibrikë i vogël (Spinaq + Margarinë)

7 Ibrikë për sobë (Mish)

8 Pjata ëmbëlsirash (Spinaq)

9 Tasa melamine (Margarinë)

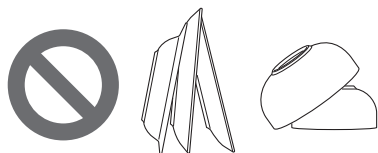
Mbushja e lavastoviljes

Për rezultate sa më të mira të larjes, ndiqni gjithmonë këto udhëzime.

- Pastroni pjatat nga mbetjet e mëdha, duke përfshirë kockat, etj., përpara se t'i futni në pajisje. Shpëlani gjithmonë pjatat para se ti fusni në pajisje nëse ato nuk do të lahen menjëherë.
- Enët me fund të djegur duhen zbutur përpara se të futen në lavastovilje.
- Enët e thella duhen vendosur përmbysh.
- Enët plastike nuk thahen mirë krahasuar me enët e tjera.

42 PËRDORIMI

- Sigurohuni që enët të mos jenë në kontakt me njëra-tjetrën.



Enët jo të përshtatshme për lavastovilje

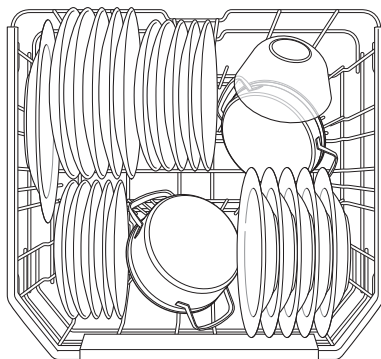
Kombinimi i temperaturës së lartë të ujit me detergjentet e lavastoviljes mund të dëmtojnë disa lloje enësh. Mos i lani enët e mëposhtme.

- Enë bakri ose alumini të anodizuara
- Enë porcelani me punim argjendi ose ari të lyera me dorë
- Mjete kuzhine me pjesë druri ose eshtrash
- Mjete kuzhine prej hekuri ose me material kundër ndryshkut
- Enë plastike që nuk i rezistojnë pajisjes
- Mallra të shtrenjta si p.sh. enë me fron argjendi ose ari
- Enë delikate si p.sh. gota kristali

⚠ KUJDES

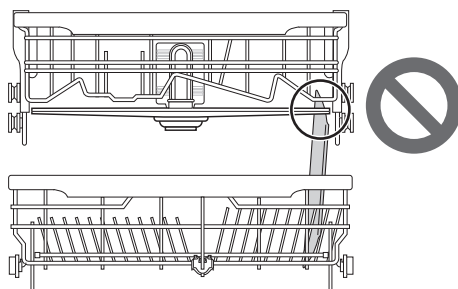
- Mos vendosni ibrikë dhe tenxhere me doreza plastike në pajisje pasi dorezat mund të dëmtohen nga nxehtësia dhe detergjenti.
- Njollat e buzëkuqit kundra ujit ose që nuk fshihet mund të mos hiqen gjatë larjes.

Për të lehtësuar futjen e enëve më të mëdha, palosni radhën e parë të dhëmbëzave.



⚠ KUJDES

- Mekanizmat e spërkatjes nuk duhet të bllokohen nga enë tepër të larta apo të varura nga koshat. Testoni që lëvizja të jetë e lirë duke rrotulluar manualisht mekanizmat e spërkatjes.



Mbushja e raftit të poshtëm

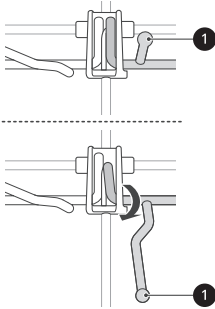
Ngarkesa për përdorim ditor

Rafti i poshtëm është i përshtatshëm për pjatat e darkës, tasat e supës, enët, ibrikët, tenxheret, dhe madje edhe për tepsitë e skarës.

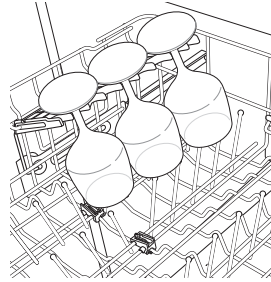
Pjatat duhen vendosur drejt dhe me pamje nga pjesa e qendrës së raftit ndërsa ibrikët, tenxheret dhe enët e mëdha duhen vendosur përmbys.

Palosja e dhëmbëzave të raftit

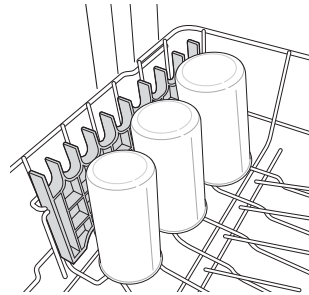
Palosni dhëmbëzat e raftit për të mundësuar vendosjen e enëve më të mëdha; vendosini dhëmbëzat siç ishin për enët më të vogla.



Raftet e filxhanëve shërbejnë edhe për gotat me fron të lartë.



Ana e majtë e dhëmbëzave mund të paloset ose rafti i filxhanëve mund të paloset dhe të hiqet për të vendosur enët e larta prej porcelani.



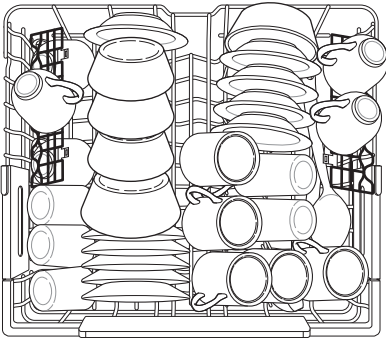
Mbushja e raftit të sipërm

Ngarkesa për përdorim ditor

Rafti i sipërm është i përshtatshëm për enë delikate si pjatat e vogla, takëmet e gjata, filxhanët, gotat dhe enët plastike që i rezistojnë pajisjes.

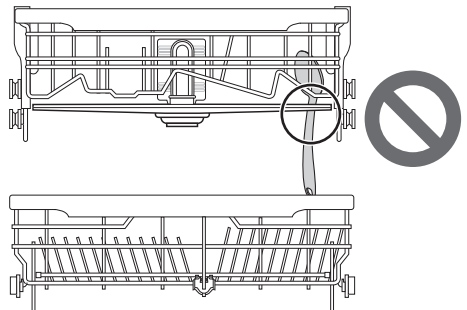
Filxhanët, gotat dhe tasat duhen vendosur përmbys.

Pjatat duhen vendosur drejt me pjatat.



⚠️ KUJDES

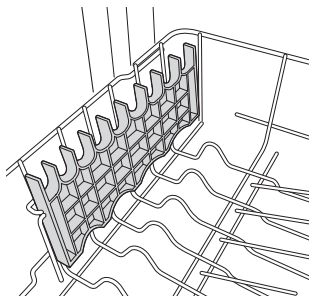
- Mekanizmat e spërkatjes nuk duhet të bllokohen nga enë tepër të larta apo të varura nga koshat. Testoni që lëvizja të jetë e lirë duke rrotulluar manualisht mekanizmat e spërkatjes.



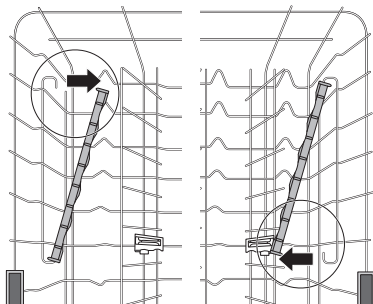
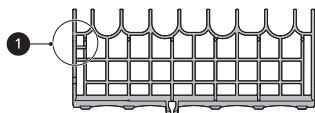
Heqja dhe rivendosja e rafteve të filxhanëve

Rafti i majtë dhe i djathtë i filxhanëve janë të shkëmbyeshëm dhe mund të hiqen.

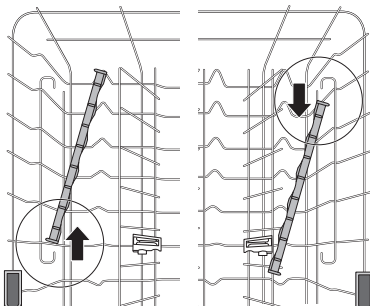
- 1 Futini raftet e filxhanëve në pozicion të puthitur.



- 2 Vendosni kanxhën e montimit ❶ në raftin e filxhanëve dhe vendosni fort shufrën mbështetëse të raftit në atë anë.
 - Rafti në të majtë lirohet në pjesën e pasme. Rafti në të djathtë lirohet në pjesën e përparme.



- 3 Hiqni shufrën mbështetëse të raftit të filxhanëve në anën e kundërt.

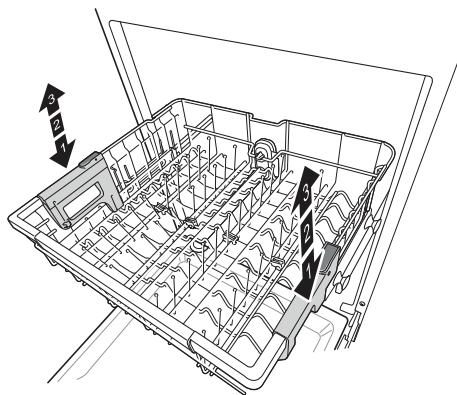


- 4 Ndiqni të kundërtën e këtyre udhëzimeve për të zëvendësuar raftin e filxhanëve.

Rafti i sipërm me lartësi të përshtatshme

Lartësia e raftit të sipërm mund të përshtatet kur fusni gota me fron të lartë ose enë të larta porcelani.

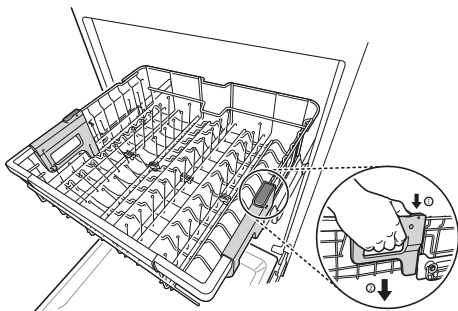
Ka tre pozicione të disponueshme për të përshtatur lartësinë e raftit të sipërm për të krijuar më shumë hapësirë.



Ulja e raftit

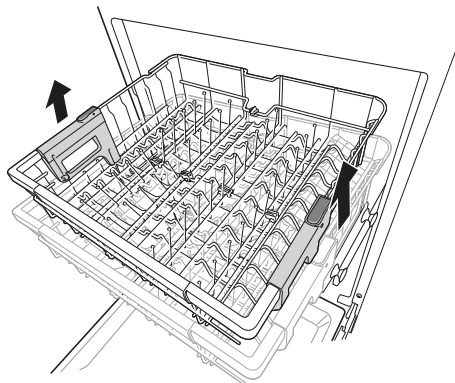
Mbajeni raftin në mes të secilës anë për të mbajtur peshën e tij. Më pas, shtypni buronin në secilën anë

për të liruar raftin dhe uleni në pozicionin e poshtëm.



Ngritja e raftit

Ngrijeni raftin në mes të secilës anë deri sa rafti të puthitet në pozicionin e sipërm. Nuk është e nevojshme të ngrini levat e puthitjes për të ngritur raftin.



Përmasat e mundshme e pjatës sipas pozicionimit të raftit të sipërm

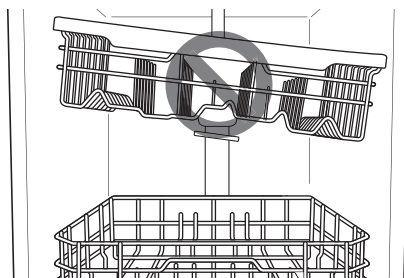
Pozicioni i raftit të sipërm	Përmasa e pjatës (mm)		
	Rafti i sipërm		Rafti i poshtëm
	me raftin për takëmet	pa raftin për takëmet	
I sipërm	165	215	300
Mes	193	243	272
Ulje	221	271	244

PARALAJMËRIM

- Përpara se të rregulloni pozicionin e raftit, sigurohuni që ai të jetë bosh. Në të kundërt enët mund të dëmtohen dhe ju mund të lëndoheni.

SHËNIM

- Ngrijeni raftin e sipërm pa shtypur butonat në secilën anë. Nëse shtypni butonat kur të ngrini raftin, kjo do të pengonte puthitjen e raftit në pozicionin e dëshiruar.
- Për të fiksuar raftin në pozicionin e mesit, do të ishte më mirë ta ulni raftin deri në fund dhe pastaj ta ngrini nga secila anë veçmas deri sa të takojë.



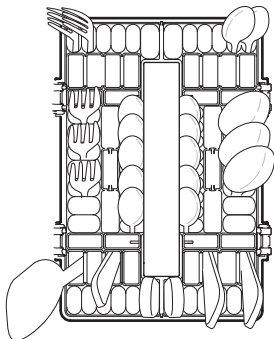
- Kur rafti i sipërm ulet në pozicionin e poshtëm, krijohet një hapësirë e lartë 56 mm.
- Pasi të keni rregulluar pozicionin e raftit, kontrolloni që rrotullimi i mekanizma të spërkatjes t mos pengohet.
- Kur rafti i sipërm është në pozicionin e poshtëm, kontrolloni nëse pjesa e poshtme e raftit të sipërm dhe mekanizmi i spërkatjes të mos pengojë raftin e poshtëm.
- Kur rafti i sipërm është në pozicionin e poshtëm, shtyni raftin e sipërm të parin dhe më pas raftin e poshtëm.
- Nxirrni raftin e poshtëm të parin dhe më pas raftin e sipërm.
- Kur rafti i sipërm është në pozicionin e poshtëm, lartësia e mundshme e enëve ndryshon sipas modeleve ku është vendosur rafti i takëmeve.

Mbushja e koshit të takëmeve

Ngarkesa për përdorim ditor

Për mjete kuzhine të mëdha, si për shembull rrahëset e vezëve, kapaku mund të hapet duke hequr menteshat.

Vendosni pirunët dhe lugët në koshin e takëmeve më dorezat drejtuar poshtë.

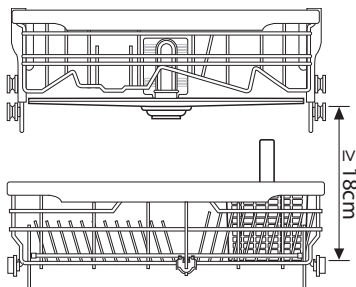


⚠️ PARALAJMËRIM

- Për të parandaluar lëndimet, vendosni thikat dhe mjetet e tjera të kuzhinës me majtë të mprehtë në koshin e takëmeve.
- Nëse dëshironi t'i vendosni në koshin e takëmeve, kthejini me majat drejtuar poshtë.

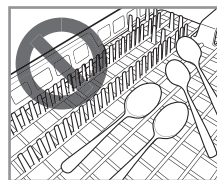
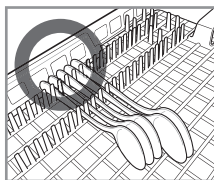
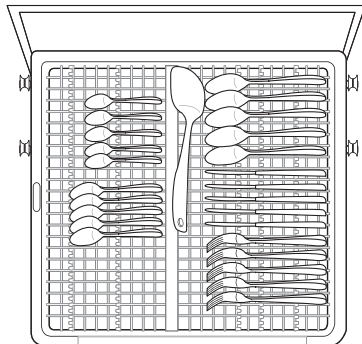
⚠️ KUJDES

- Mos bllokoni rrotullimin e mekanizmave të spërkatjes.
- Takëmet nuk duhet të jenë më të gjatë se 18 cm.

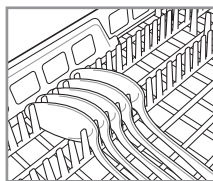


Mbushja e raftit të takëmeve

Rafti i takëmeve është tejet i përshtatshëm pjesën më të madhe të mjeteve të sheshta të kuzhinës për gatim ose shërbim. Mund të përdoret edhe për tasat dhe kapakët e vegjël. Ndarësit e raftit të takëmeve ndihmojnë për t'i mbajtur takëmet të ndara në mënyrë që të shmangen dëmet dhe të përmirësohet pastrimi.



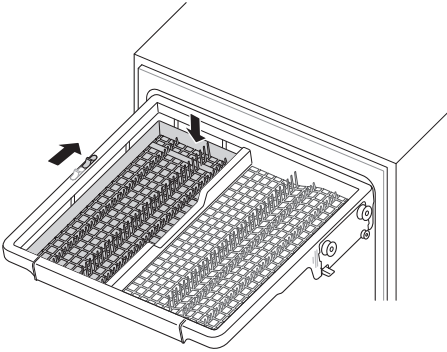
Nëse dorezat e takëmeve janë shumë të trasha, atëherë kthejini dorezat nga ana tjetër.



Platforma që rregullohet sipas lartësisë

Platforma në anën e majtë mund të pozicionohet më poshtë ose më lartë për të vendosur enët e kuzhinës dhe takëmet e përmasave të ndryshme. Hiqni enët përpara se të rregulloni platformën.

Përshtatni pozicionin e platformës duke rrëshqitur levën.

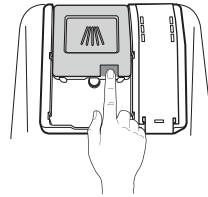


Hedhja e agjentëve pastrues

Hedhja e detergjentit në dispenser

- Hiqni etiketën nga dispenseri përpara se të përdorni pajisjen për herë të parë.
- Sasia e detergjentit të nevojshëm varet nga cikli, ngarkesa dhe shkalla e ndotjes së enëve.
- Vendosni detergjentin në ndarjen përkatëse përpara se të nisni çdo cikël, me përjashtim të ciklit **Rinse (Shpëlarja)**.

- 1 Shtypni butonin në kapakun e dispenserit për të hapur derën.

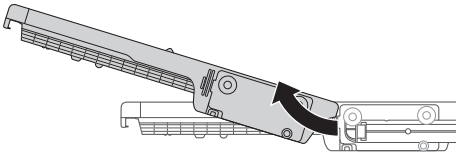


Heqja e raftit të takëmeve

I tërë rafti i takëmeve mund të hiqet nëse nevojitet më shumë hapësirë për enë më të mëdha në raftin e sipërm.

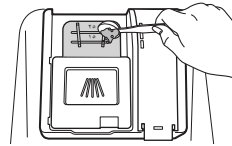
Gjithmonë hiqni takëmet nga rafti përpara së të hiqni raftin.

Tërhiqni raftin deri në fund të shinave. Më pas ngrini pjesën e përparme të raftit në mënyrë që rrotat të kalojnë bllokuesen në fundin e shinës. Tani rafti mund të shtyhet pak para dhe të hiqet nga shina.



- 2 Shtoni detergjent larës në ndarjen kryesore të larjes derisa niveli të arrijë midis vijave treguese 15 dhe 25.

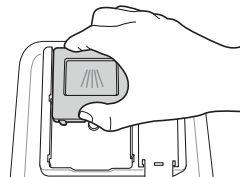
- Mbusheni deri sipër vijës 25 kur uji është i fortë ose kur ngarkesa është shumë e ndotur.
- Mbusheni deri sipër vijës 15 kur uji është i butë ose kur ngarkesa është pak e ndotur.



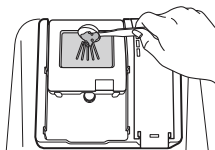
⚠ PARALAJMËRIM

- Bëni kujdes kur futni dhe nxirrni enët me majë të mprehtë. Futini thikat e mprehta me tehun në drejtim për poshtë që të mos lëndoheni.

- 3 Shtypni kapakun e detergjentit që kapaku të mbyllet deri sa të klikojë.



- 4 Nëse dëshironi të bëni paralarje, mbushni me detergjent ndarjen e paralarjes në kapak.



Programet	Sasia e detergjentit
	Larja kryesore (tek dispenseri)
Auto (Automatike)	20 g
Intensive (Intensiv)	20 g
Delicate (Delikate)	20 g
Refresh (Rifresko)	-
Eco	22 g
Turbo	20 g
Download Cycle (Shkarkimi i Ciklit)	20 g
Machine Clean (Pastrimi i makinerisë)	20 g
Rinse (Shpëlarja)	-
Express (Ekspres)	20 g

⚠️ PARALAJMËRIM

- Detergjenti i lavastoviljes dhe shkëlqyesi i enëve përbajnë përbërës kimikë, si të gjithë detergjentet e tjera për shtëpinë. Për këtë arsye, duhen mbajtur larg fëmijëve.

⚠️ KUJDES

- Përdorni vetëm detergjente të përcaktuar për lavastovilje. Detergjenti jo i duhur mund të krijojë shumë shkumë gjatë punës. Shkuma e tepërt mund të ulë rezultatin e larjes dhe pajisja mund të pikojë.

- Për të shmangur dëmtimin e pajisjes, mos e ngrini dispenserin për të mbyllur derën e pajisjes.



- Përdorimi i një detergjenti dhe shkëlqyesi enësh të papërshtatshëm mund të shkaktojë dëme, gërryerje, rezultate të dobëta të larjes, tharje jo të mirë ose rrjedhje.
- Përdorni vetëm detergjent dhe shkëlqyes enësh që janë në përputhje me standardet. Përdorimi i detergjenteve jashtë standardeve mund të shkaktojë dëme, gërryerje, rezultate të dobëta të larjes, tharje jo të mirë ose rrjedhje.
- Nëse është përdorur më shumë detergjent seç duhet, mund të bëhet shumë shkumë. Shkuma mund të rrjedhë dhe enët në lavastovilje mund të bëhen me njolla.

SHËNIM

- Nëse hidhni më shumë detergjent seç duhet, një shtresë të hollë mund të ngelet në enë ose në brendësi, duke bërë që rezultati i larjes të mos jetë i mirë.
- Pas larjes, kontrolloni nëse detergjenti është shpëlarë plotësisht.
- Disa tableta detergjenti të pajisjes mund të ngecin në dispenser për shkak të përmasave të mëdha. Tabletat mund të vendosen në bazën e brendësisë së pajisjes pranë filtrit përpara se të fillojë cikli.
- Asnjëherë mos përdorni detergjent për lavastovilje të lëngshëm në pajisje.
- Detergjentet në tableta nuk rekomandohen të përdoren në ciklin **Express (Ekspres)**. Nëse përdoren detergjente në tableta, mund të bëjnë që të ngelen mbetjet e detergjentit në enë për shkak të temperaturës relativisht të ulët të shpëlarjes.

Rimbushja

Për rezultate sa më të mira të tharjes, kontrolloni dhe rimbushni rregullisht me shpëlarës enësh.

Për rezultate sa më të mira të larjes, kontrolloni dhe rimbushni rregullisht lavastoviljen me kripë.

Kontrolli i shkëlqyesit të enëve

Kur ikona ☼ e rimbushjes me shkëlqyes enësh ndriçohet, tregon se shkëlqyesi i enëve ka mbaruar. Nëse është e nevojshme, mbusheni dhomëzën e shkëlqyesit të enëve.

Kontrolli i kripës në lavastovilje

Pas rimbushjes së lavastoviljes me kripë, programi i larjes duhet të përdoret njëherë pa enë, pasi çdo kripë e derdhur brenda pajisjes mund të shkaktojë ndryshk ose dëmtim të pajisjes nëse lihet e palarë. Kur ikona S e rimbushjes me kripë ndriçohet, do të thotë që kripa pothuajse ka mbaruar. Nëse është e nevojshme, mbushni dhomëzën e kripës.

⚠ KUJDES

- Mos shtoni detergjent apo ndonjë solucion tjetër në dhomëzën e zbutësit të ujit përveç kripës së lavastoviljes. Nëse e bëni këtë, sistemi i zbutjes së ujit do të pësojë defekt.

Këshilla të dobishme

Tharja

- Enët plastike mund të mos kenë rezultate të mira tharje krahasuar me enët e tjera.
- Për të ndihmuar tharjen, mund të hapni derën për pak kohë pas përfundimit të ciklit.

SHËNIM

- Sigurohuni që enët të mos jenë në kontakt me njëra-tjetrën.
- Nëse rezultati i tharjes nuk është i mirë ose nëse mbeten njollat e ujit, shtoni opsionin **Extra Dry (Tharje shtesë)** ose përcaktoni nivelin e shpëlarjes.

- Kur përdorni detergjent të llojit me tableta (2 në 1, 3 në 1), mund të nevojitet shpëlarje shtesë, në varësi të vëllimit të enëve, në këtë rast përdorni opsionin **Extra Dry (Tharje shtesë)** ose përcaktoni nivelin e shpëlarjes.

Zbrazja e lavastoviljes

- Përpara se të zbrazi lavastoviljen, kontrolloni nëse enët janë ftohur mjaftueshëm sa të mund të preken me dorë.
- Boshatisni në fillim raftin e poshtëm dhe më pas raftin e sipërm. Kjo do të pengojë rrjedhjen e ujit nga rafti i sipërm tek enët e vendosura poshtë.

⚠ PARALAJMËRIM

- Mos i tërhiqni përnjëherësh të gjitha raftet me ngarkesë të plotë pasi pajisja mund të përmbysset. Zbrazini raftet një nga një.

FUNKSIONET INTELIGJENTE

Aplikacioni LG ThinQ

Aplikacioni **LG ThinQ** ju lejon të komunikoni me pajisjen duke përdorur një telefon inteligjent.

Veçoritë e aplikacionit LG ThinQ

Komunikoni me pajisjen nga një telefon inteligjent duke përdorur veçoritë e duhura inteligjente.

Monitorimi

Ky funksion bën kontrollin e statusit aktual, ciklit, opsioneve, kohës së punës dhe kohës së përfundimit të ciklit, në një ekran të vetëm.

Download Cycle (Shkarkimi i Ciklit)

Mund të shkarkoni cikle të reja dhe të veçanta që nuk përfshihen tek ciklet kryesore në aplikacion.

Pajisjet e regjistruara me sukses mund të shkarkojnë një shumëllojshmëri ciklesh specialiteti që janë specifike për pajisjen.

Vetëm një cikël mund të ruhet në pajisje çdo herë.

Me përfundimin e shkarkimit të ciklit në pajisje, pajisja e ruan ciklin e shkarkuar deri në shkarkimin e një cikli të ri.

Ikona e kujtesës për pastrim

Ky funksion tregon numrin e cikleve që mbeten përpara përdorimit të ciklit **Machine Clean (Pastrimi i makinerisë)**.

Smart Diagnosis

Ky funksion mundëson informacione të dobishme për diagnostikimin dhe zgjidhjen e problemeve me pajisjen, bazuar në modelin e përdorimit.

Parametrat

Ju lejon të caktoni opsione të ndryshme në pajisje dhe në aplikacion.

Shtyp Lajmërim

Kur cikli ka përfunduar ose kur pajisja shfaq probleme, keni opsionin që të merrni njoftime në telefonin tuaj inteligjent. Njoftimet vijnë edhe kur aplikacioni **LG ThinQ** është i fikur.

SHËNIM

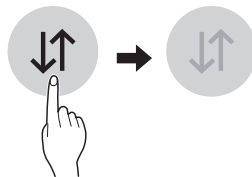
- Nëse ndryshoni ruterin e internetit tuaj, ofruesin e shërbimit të internetit ose fjalëkalimin, fshini

pajisjen e regjistruar nga aplikacioni **LG ThinQ** dhe më pas regjistroni përsëri.

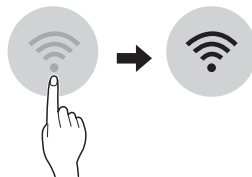
- Aplikacioni i nënshtrohet ndryshimit për qëllime të përmirësimit të pajisjes pa njoftuar përdoruesit.
- Funksionet mund të ndryshojnë në varësi të modelit.

Përpara se të përdorni aplikacionin LG ThinQ


- Kontrolloni distancën mes pajisjes dhe ruterit pa lidhje kabllore (rrjeti Wi-Fi).
 - Nëse distanca ndërmjet pajisjes dhe ruterit me valë (në wireless) është tepër e madhe, fuqia e sinjalit bëhet e dobët. Mund të duhet një kohë të gjatë për të bërë regjistrimin ose instalimi mund të dështojë.
- Fikni **Internetin e lëvizshëm** ose **Internetin celular** në telefonin tuaj inteligjent.



- Lidhni telefonin tuaj inteligjent me Wi-Fi e ruterit (në wireless).



SHËNIM

- Për të verifikuar lidhjen Wi-Fi, kontrolloni që ikona  në panelin e kontrollit të jetë e ndezur.

- Pajisja mbështet vetëm rrjete Wi-Fi 2.4 GHz. Për të kontrolluar frekuencën e rrjetit tuaj, kontaktoni ofruesin tuaj të shërbimit të internetit, ose referojuni manualit të ruterit me valë.
- **LG ThinQ** nuk mban përgjegjësi për problemet e lidhjes me rrjetin apo çdo lloj problemi në lidhje me të, mosfunksionimi ose gabimi të shkaktuar nga lidhja me rrjetin.
- Nëse pajisja ka probleme për t'u lidhur me rrjetin Wi-Fi, mund të jetë shumë larg ruterit. Blini një përsëritës Wi-Fi(zgjatues i valës) për të përmirësuar fuqinë e sinjalit Wi-Fi.
- Lidhja Wi-Fi mund të mos lidhet ose mund të ndërpritet për shkak të mjedisit të rrjetit të shtëpisë.
- Lidhja me rrjetin mund të mos funksionojë siç duhet në varësi të ofruesit të shërbimit të internetit.
- Mjedi rrethues mund ta bëjë shërbimin e rrjetit pa fije të punojë ngadalë.
- Pajisja nuk mund të regjistrohet për shkak të problemeve me transmetimin e sinjalit me valë (në wireless). Shkëputni prizën e pajisjes dhe pritni një minutë përpara se ta provoni përsëri.
- Nëse firewall-i në ruterin tuaj me valë është i aktivizuar, çaktivizoni firewall-in ose shtoni një përjashtim për këtë rast.
- Emri i rrjetit me valë (SSID) duhet të jetë një kombinim i shkronjave dhe numrave anglisht. (Mos përdorni karaktere speciale)
- Ndërfaqja e përdoruesit të telefonit Inteligjent (UI) mund të ndryshojë në varësi të sistemit operativ të celularit (OS) dhe prodhuesit.
- Nëse protokoli i sigurisë të ruterit është vendosur në **WEP**, mund të mos arrini të konfiguroni rrjetin. Ndryshoje në protokolle të tjera sigurie (rekomandohet **WPA2**) dhe regjistroni sërish produktin.

Çaktivizimi i lidhjes së rrjetit

Në telefonin tuaj inteligjent, çaktivizoni rrjetin tuaj Wi-Fi të shtëpisë.

- 1 Hapni aplikacionin **LG ThinQ**.
- 2 Zgjidhni dhe shtypni **Lavastovilja** në aplikacion.
- 3 Zgjidhni dhe shtypni **Fshini produktin** në menunë e cilësimeve për ta shkëputur.

Specifikimet e Modulit LAN me valë

Modeli	LCW-003
Frekuenca e valës	2412 deri në 2472 MHz
Fuqia në Dalje (Maksimumi)	IEEE 802.11b:18.37 dBm IEEE 802.11g:17.67 dBm IEEE 802.11n:17.67 dBm

Funksioni me valë S/W versioni : V 1.0

Sipas gjykimit të përdoruesit, kjo pajisje duhet të instalohet dhe përdoret në një distancë minimale prej 20 cm ndërmjet pajisjes dhe trupit.

Deklarata e Konformitetit



Përmes kësaj deklarate, LG Electronics deklaron se lavastovilja e llojit të pajisjes radio është në përputhje me Direktivën 2014/53/BE. Teksti i plotë i deklaratës së konformitetit të BE-së gjendet në adresën e mëposhtme të internetit:

<http://www.lg.com/global/support/cedoc/cedoc#>

Qendra e shërbimeve të përbashkëta evropiane të LG Electronics B.V.

Krijgsman 1, 1186 DM Amstelveen, Holandë

Instalimi i aplikacionit LG ThinQ

Kërkoni aplikacionin **LG ThinQ** nga Google Play Store & Apple App Store në një telefon inteligjent. Ndiqni udhëzimet për të shkarkuar dhe instaluar aplikacionin.



Njoftim për softuerin me burim të hapur

Për të përfutur kodin e burimit që ndodhet në këtë produkt, sipas GPL, LGPL, MPL dhe licencave të tjera të hapura të burimit, vizitoni faqen <http://opensource.lge.com>.

Përveç kodit të burimit, të gjitha kushtet e referuara të licencës, refuzimet për garanci dhe shënimet për të drejtën e autorit janë të disponueshme për shkarkim.

“LG Electronics” do t’ju ofrojë po ashtu kodin me burim të hapur në një CD-ROM me një tarifë që mbulon koston e kryerjes së një shpërndarje të tillë (si p.sh. kostoja e materialit, transportit dhe administrimit) pas kërkesë me email në opensource@lge.com. Kjo ofertë është e vlefshme për një periudhë prej tri vitesh pas dorëzimit tonë të fundit të këtij produkti. Kjo ofertë është e vlefshme për cilindo të përcaktuar si marrës të këtij informacioni.

Smart Diagnosis

Kjo karakteristikë është e disponueshme në modelet me logo  or .

Përdorni këtë karakteristikë për t’ju ndihmuar të diagnostikoni dhe zgjidhni problemet me pajisjen tuaj.

SHËNIM

- Për arsye që nuk lidhen me neglizhencën e LGE, shërbimi mund të mos funksionojë për shkak të faktorëve të jashtëm si për shembull, por pa u kufizuar me, mungesën e rrjetit Wi-Fi, mungesën e lidhjes me rrjetin Wi-Fi, politikat vendase të App Store ose mungesës së aplikacionit.
- Kjo karakteristikë mund të jetë objekt ndryshimi pa njoftim paraprak dhe mund të ketë forma të ndryshme në varësi të vendndodhjes suaj.

Përdorimi i LG ThinQ për diagnostikimin e problemeve

Nëse hasni ndonjë problem me pajisjen tuaj me Wi-Fi, ajo mund të transmetojë të dhënat e zgjidhjes së problemit në një telefon inteligjent duke përdorur aplikacionin **LG ThinQ**.

- Hapni aplikacionin **LG ThinQ** dhe përzgjidhni karakteristikën **Smart Diagnosis** në menu. Ndiqni udhëzimet e vendosura në dispozicion në aplikacionin **LG ThinQ**.



Përdorimi i diagnostikimit me zë për diagnostikimin e problemeve

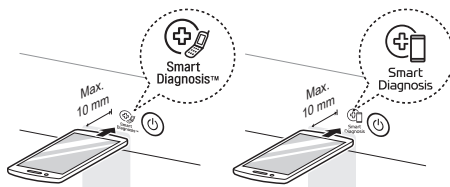
Ndiqni udhëzimet më poshtë për të përdorur metodën e diagnostikimit me zë.

- Hapni aplikacionin **LG ThinQ** dhe përzgjidhni karakteristikën **Smart Diagnosis** në menu. Ndiqni udhëzimet për diagnostikimin me zë të vendosura në dispozicion në aplikacionin **LG ThinQ**.

1 Shtypni butonin **Energji** për ta ndezur pajisjen.

- Mos shtypni asnjë buton tjetër.

2 Vendosni altoparlantin e telefonit tuaj inteligjent pranë logos  ose .



3 Shtypni dhe mbani shtypur butonin **Download Cycle (Shkarkimi i Ciklit)** për 3 sekonda ose më shumë duke e mbajtur altoparlantin e telefonit tuaj inteligjent pranë logos derisa transferimi i të dhënave të ketë përfunduar.

- Mbajeni telefonin tuaj inteligjent në vend derisa transferimi i të dhënave të ketë përfunduar. Shfaqet koha e mbetur për transferimin e të dhënave.

4 Pasi të ketë përfunduar transferimi i të dhënave, diagnostikimi do të shfaqet në aplikacion.

SHËNIM

- Për rezultate më të mira, mos e lëvizni telefonin tuaj inteligjent ndërsa po transmetohen tonet.

Kujdesi dhe shërbimi ndaj klientit

Kontaktoni një qendër informacioni për klientin të LG Electronics.

- Për të gjetur personel të autorizuar shërbimi të LG Electronics, vizitoni faqen tonë të internetit në adresën **www.lg.com** dhe ndiqni udhëzimet në të.
- Nuk rekomandohet të bëni vetë riparime pasi kjo mund të dëmtojë më tej pajisjen dhe ta bëjë garancinë të pavlefshme.
- Pjesët rezervë të përmendura në Rregulloren 2019/2022 janë të disponueshme për një kohëzgjatje të paktën 7 vjet.

MIRËMBAJTJA

Për të ruajtur performancën dhe për të parandaluar problemet, kontrolloni rregullisht pajisjen nga brenda dhe nga jashtë, duke përfshirë filtrat dhe mekanizmat e spërkatjes.

⚠ PARALAJMËRIM

- Kur pastroni pjesën e brendshme ose të jashtme të pajisjes, mos përdorni asnjë solucion me bazë tretësi si hollues ose aceton. Kjo gjë mund të shkaktojë zjarr ose shpërthim.

SHËNIM

- Parandaloni ngrënien e kablos së korrentit ose tubit të ujit nga kafshët.

Pastrimi dhe kujdesi

Pastrimi i pjesës të jashtme

Në shumicën e rasteve, pjesa e jashtme e pajisjes mund të pastrohet me një copë të butë të njomë ose me sfungjer, dhe më pas të thahet me një copë të butë. Nëse pjesa e jashtme e pajisjes është prej materiali çelik inox, përdorni një pastrues për materialet çelik inox.

⚠ KUJDES

- Nëse derdhet vaj gatimi në pjesën e jashtme të produktit, fshijeni menjëherë. Mos pastroni pjesën e jashtme të produktit me pastrues që përmbajnë alkool, hollues, zbardhues, benzinë, lëngje të djegshme ose gërryese. Këto substanca mund të çngjyrosin ose dëmtojnë pajisjen.

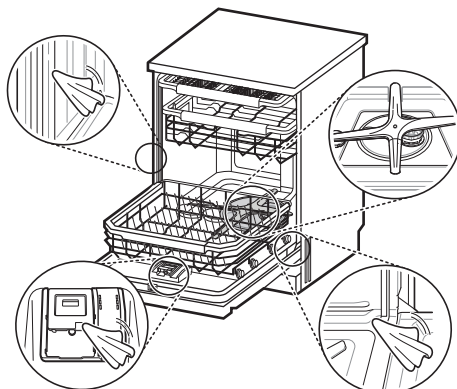
Pastrimi i pjesës së brendshme

Rekomandohet që pjesa e brendshme, mekanizmat e spërkatjes ose filtrat të pastrohen çdo dy javë.

Pastroni herë pas here pjesën e brendshme të pajisjes me një copë të butë dhe të njomë ose me

sfungjer për të hequr ushqimin ose grimcat e mbetjeve.

Mbetjet e ushqimeve mund të ngecin në hapësirat e ngushta brenda pajisjes pas përfundimit të larjes. Fshini të gjitha mbetjet e ushqimeve.



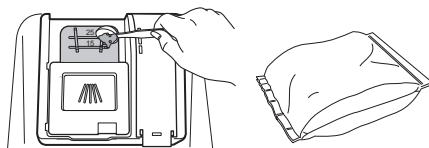
SHËNIM

- Nëse nuk e keni përdorur pajisjen për një kohë të gjatë, rifreskojeni brenda duke aktivizuar programin **Turbo** ose **Machine Clean (Pastrimi i makinerisë)** me detergjent. Pasi cikli të ketë përfunduar, pastrojeni pajisjen nga brenda dhe jashtë sipas udhëzimeve të **MIRËMBAJTJES**.

Pastrimi i brendësisë

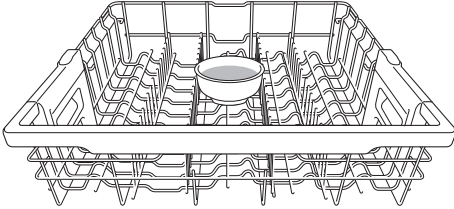
Përdorimi i acidit citrik

Hiqini të gjitha enët, koshin e takëmeve dhe mbajtësen e koshit të takëmeve nga pajisja. Në brendësi të pajisjes duhet të lini vetëm raftet. Për rezultate sa më të mira, përdorni pluhur acidi citrik (mund ta gjeni në sektorët e kanoçeve në shumicën e supermarketeve ose në internet). Masni 3 lugë gjelle (45 g) pluhur acidi citrik. Mbushni ndarjen kryesore të larjes me pluhurin e matur.



Përdorimi i uthullës së bardhë

Nëse nuk keni mundur të gjeni pluhur acidi citrik, hidhni afërsisht 3/4 - 1 1/4 filxhanë (200 - 300 mL) uthull të bardhë në një tas të cekët dhe vendoseni në raftin e sipërm. Filloni ciklin **Auto (Automatike)**. Mos përdorni detergjent. Kur cikli të ketë mbaruar, ndizeni përsëri.

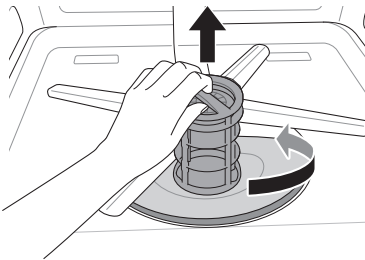


⚠️ KUJDES

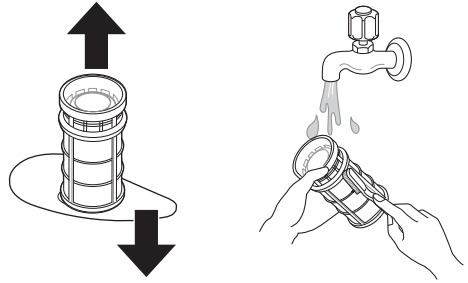
- Mos e hidhni uthullën drejtpërdrejtë në bazë.
- Përdorimi i tepërt i uthullës mund të shkaktojë dëmtimin e pajisjes.

Pastrimi i filtrave

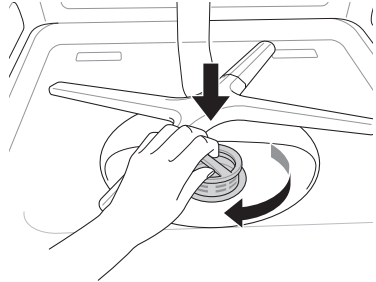
- 1 Hiqni raftin e poshtëm dhe vendosni mekanizmin e poshtëm të spërkatjes në mënyrë që të hapet një hapësirë më e gjerë përpara.
- 2 Ktheni filtrin e brendshëm në drejtim kundërorar dhe nxirri filtrin e montuar të brendshëm dhe prej çeliku inoksi.



- 3 Pastroni filtrat me një furçë të butë në ujë të rrjedhshëm. Montoni përsëri filtrat përpara se ta instaloni përsëri.



- 4 Për të zëvendësuar filtrat e montuar, vendosni mekanizmin e spërkatjes në mënyrë që të hapet një hapësirë më e gjerë përpara. Vendosni filtrat përsëri në mbajtësen e filtrave dhe siguroni ata duke kthyer filtrin e brendshëm në drejtim orar deri sa të puthiten.



⚠️ PARALAJMËRIM

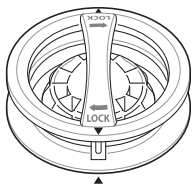
- Bëni kujdes nga cepat e mprehtë kur të administroni filtrin prej çeliku inoksi.

⚠️ KUJDES

- Pasi të keni përdorur pajisjen, filtrat filtojnë grimcat e ushqimeve. Çdo mbetje e ushqimeve që nuk është hequr mund të shkaktojë aroma të këqija. Gjithashtu, shkarkimi mund të ketë një problem për shkak të ngecjes së mbetjeve ushqimore në filtra.

SHËNIM

- Kur të kryeni montimin, rrotullojeni fort deri sa të klikojë.

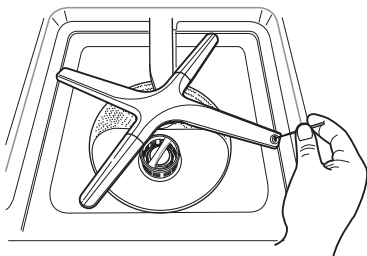


Pastrimi i mekanizmave të spërkatjes

Nëse vrimat e mekanizmave të spërkatjes janë bllokuar, enët mund të mos pastrohen mirë për shkak të spërkatjes së keqe të ujit.

Pastrimi i mekanizmit të poshtëm të spërkatjes

- 1 Sigurohuni që vrimat e rrymës së ujit të mos jenë të bllokuara nga grimcat e ushqimit.
- 2 Nëse mbetjet e ushqimit bllokojnë vrimat e mekanizmit të spërkatjes, hiqeni me ndonjë gjilpërë ose me ndonjë mjet të mprehtë.

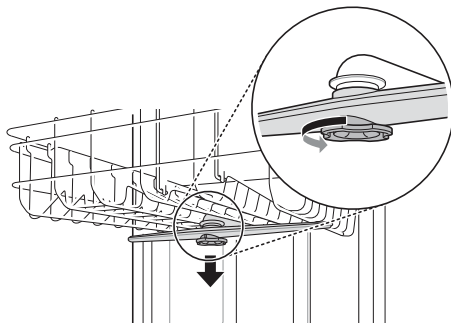


⚠️ KUJDES

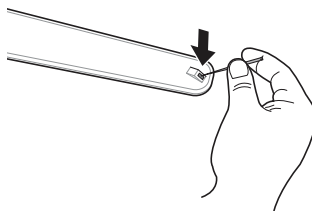
- Për të shmangur thyerjen e seksioneve fundore të mekanizmit të spërkatjes në cepa të ndryshëm, mos i tërhiqni apo rrotulloni ato në mënyrë manuale.

Pastrimi i mekanizmit të sipërm të spërkatjes

- 1 Tërhiqeni përpara raftin e sipërm. Sigurohuni që vrimat e rrymës së ujit të mos jenë të bllokuara nga grimcat e ushqimit.
- 2 Kur ka nevojë të pastrohet, hiqni mekanizmin e sipërm të spërkatjes duke rrotulluar vidën në fund të mekanizmit të spërkatjes me rrotullim 1/8 në drejtim orar dhe duke e tërhequr poshtë.

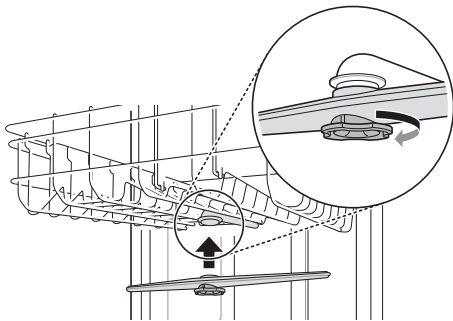


- 3 Hiqi grimcat e ushqimit duke shpëlarë ose duke tundur mekanizmin e spërkatjes.
- 4 Nëse mbetjet e ushqimit bllokojnë vrimat e mekanizmit të spërkatjes, hiqeni me ndonjë gjilpërë ose me ndonjë mjet të mprehtë.



- 5 Pasi të keni hequr mbetjet e ushqimit, pastroni vrimat e mekanizmave të spërkatjes me ujë të rrjedhshëm.
- 6 Pasi të keni pastruar mekanizmin e sipërm të spërkatjes, shtypeni për ta vënë në vend. Rrotulloni vidën me 1/8 rrotullim në drejtim

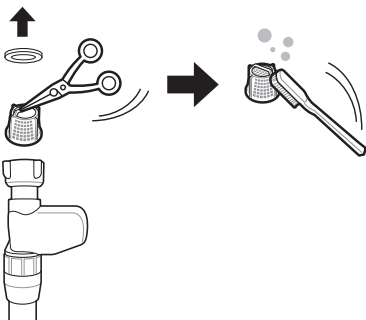
orar për tu siguruar që vida të kyçet përsëri në vend.



- 7** Pasi ta keni montuar, kontrolloni nëse mekanizmat e spërkatjes rrotullohen lirshëm.

Pastrimi i filtrit të tubit të furnizimit me ujë

- 1** Hiqni pajisjen nga priza.
- 2** Mbyllni rubinetin e ujit.
- 3** Zhvidhoseni tubin e furnizimit me ujë.
- 4** Hiqni vulosjen dhe filtrin plastik me një palë pinca të vogla ose me majat e gërshërëve.



- 5** Vendosni përsëri filtrin dhe guarnicionin për tu siguruar që është vendosur saktë.

- 6** Vendosni përsëri dhe siguroni tubin e furnizimit me ujë në anën e kundërt. Mos përdorni mjete mekanike për të shtrënguar tubin. Mund të përdorni një copë të butë për t'ju ndihmuar ta shtrëngoni me dorë.

SHËNIM

- Në lidhjen e tubave të furnizimit me ujë është montuar një filtër.
- Nëse nuk rrjedh ujë mjaftueshëm në pajisje, kontrolloni që filtri të mos jetë bllokuar.
- Nëse ka rrjedhje, duhet të kontrolloni tubin e furnizimit me ujë që të jetë lidhur siç duhet.
- Mos e shtrëngoni asnjëherë më shumë seç duhet valvulën e furnizimit me ujë dhe as mos përdorni mjete mekanike për ta shtrënguar.
- Kur të montoni përsëri vulosjen me filtrin, sigurohuni që mos të ketë papastërtira ose rërë që mund të ketë ardhur nga uji i furnizuar.

Mirëmbajtja sezonale dhe ruajtja

- Nëse nuk do të jeni në shtëpi për një periudhë të gjatë kohe gjatë muajve të ngrohtë, mbylleni valvulën e ujit dhe hiqeni nga priza kordonin e energjisë, ose fiken i çelësin e qarkut. Pastroni filtrin, brendësinë e pajisjes dhe dispenserin për të parandaluar aromet e këqija.
- Nëse nuk do të jeni në shtëpi për një periudhë të gjatë kohe gjatë muajve të ftohtë dhe ka mundësi që temperaturat të jenë nën zero, përgatitni për stinën e dimrit linjat e furnizimit me ujë dhe vetë pajisjen. Përgatitja për stinën e dimrit duhet të kryhet nga personeli i kualifikuar i shërbimit.

ZGJIDHJA E PROBLEMEVE

Përpara thirrjes për shërbim

Përdorimi i pajisjes mund të shkaktojë gabime dhe keqfunksionime. Tabelat e mëposhtme përmbajnë shkaqet e mundshme dhe shënimet për zgjidhjen e një mesazhi gabimi ose të një keqfunksionimi. Ju mund të zgjidhni pjesën më të madhe të problemeve vetë, duke kursyer para dhe kohë, duke qenë se nuk është e nevojshme të telefononi qendrën e shërbimit të LG Electronics. Tabela më poshtë duhet t'ju ndihmojë me zgjidhjen e problemit.

Kodet e gabimit

Pajisja është e pajisur me një sistem automatik të monitorimit të gabimeve për të zbuluar dhe diagnostikuar problemet në një fazë të hershme. Nëse kjo pajisje nuk funksionon mirë ose nuk funksionon fare, kontrolloni më poshtë para se të telefononi qendrën e shërbimit të LG Electronics:

Simptomat	Shkaqet e mundshme & Zgjidhja
IE	<p>Problem me furnizimin me ujë.</p> <ul style="list-style-type: none"> Kontrolloni se mos ndonjë tub i furnizimit me ujë është bllokuar, përdredhur ose ngrirë. Kontrolloni furnizimin me ujë.
DE	<p>Probleme me kullimin.</p> <ul style="list-style-type: none"> Kontrolloni se mos ndonjë tub shkarkimi është bllokuar, përdredhur ose ngrirë.
	<p>Tapa e mbetjeve është bllokuar.</p> <ul style="list-style-type: none"> Hiqni mbetjet nga tapa e mbetjeve.
	<p>Filtrat janë bllokuar.</p> <ul style="list-style-type: none"> Pastroni filtrat.
bE	<p>Shkuma e tepërt shkaktohet nga detergjent jo të përshtatshëm, si për shembull sapun i lëngshëm enësh.</p> <ul style="list-style-type: none"> Mos përdorni lëngje për larjen e enëve me dorë. Përdorni vetëm detergjent të përcaktuar për përdorim në lavastovilje automatike. Për të hequr mbetjet e detergjentit nga brendësia e pajisjes, hidhni afërsisht 100~200 ml qumësht në një tas të cekët, vendoseni në raftin e sipërm dhe më pas ndizeni pajisjen në ciklin Auto (Automatike).
	<p>Mos nivelimi i pajisjes.</p> <ul style="list-style-type: none"> Sigurohuni që pajisja të jetë niveluar siç duhet.
HE	<p>Defekt në qarkun e ngrohjes së ujit</p> <ul style="list-style-type: none"> Telefononi shërbimin nëse problemi ndodh përsëri.
FE	<p>Furnizim i tepërt me ujë.</p> <ul style="list-style-type: none"> Telefononi shërbimin nëse problemi ndodh përsëri.

Simptomat	Shkaqet e mundshme & Zgjidhja
RE	Problem me rrjedhjen e ujit <ul style="list-style-type: none"> • Telefononi shërbimin nëse problemi ndodh përsëri.
LE	Defekt i termometrit elektrik <ul style="list-style-type: none"> • Telefononi shërbimin nëse problemi ndodh përsëri.
LE	Problem në motor <ul style="list-style-type: none"> • Telefononi shërbimin nëse problemi ndodh përsëri.
nE	Probleme të ndryshme në motor <ul style="list-style-type: none"> • Telefononi shërbimin nëse problemi ndodh përsëri.

Përdorimi

Simptomat	Shkaqet e mundshme & Zgjidhja
Zhurmë	Një nivel i caktuar zhurme është normale gjatë funksionimit. <ul style="list-style-type: none"> • Hapja e kapakut të detergjentit. • Pompa e shkarkimit në fillim të ciklit të shkarkimit.
	Pajisja nuk është e niveluar. <ul style="list-style-type: none"> • Rregulloni këmbët e nivelimit.
	Mekanizmi hundëzës përplaslet me enët. <ul style="list-style-type: none"> • Poziciononi përsëri enët.
	Presioni i ujit është shumë i lartë. <ul style="list-style-type: none"> • Rregulloni presionin e ujit.
Pajisja nuk funksionon.	Dera nuk është mbyllur plotësisht. <ul style="list-style-type: none"> • Niveloni përsëri pajisjen.
	Furnizimi me ujë ose kabulli i energjisë nuk janë lidhur. <ul style="list-style-type: none"> • Lidhni siç duhet kabullin ose furnizimin me energji.
	Kur funksioni Control Lock (Kyçi i kontrollit) është i aktivizuar, në ekran do të shfaqet kodi CL. <ul style="list-style-type: none"> • Çaktivizoni butonin Control Lock (Kyçi i kontrollit). • Shtypni dhe mbani shtypur butonin Half Load (Gjysmë Ngarkesë) dhe Energy Saver (Ruajtës Energjie) njëkohësisht për 3 sekonda për të aktivizuar ose çaktivizuar këtë funksion.
	Siguresa është djegur ose çelësi i qarkut është fikur. <ul style="list-style-type: none"> • Zëvendësoni siguresën ose ndizni çelësin e qarkut.

Simptomat	Shkaqet e mundshme & Zgjidhja
Pajisja jep sinjal vazhdimisht kur dera është e hapur, gjatë ciklit ose menjëherë pasi ka përfunduar ciklin.	<p>Enët në pajisje janë të nxehta dhe duhet të tregoni kujdes kur të fusni duart brenda në pajisje.</p> <ul style="list-style-type: none"> Mbylleni derën deri sa pajisja dhe enët të jenë ftohur. Sinjali do të ndalojë nëse dera është e mbyllur ose kur temperatura në brendësi të jetë ulur.
Ka mbetur ujë pompën e thithjes pas përfundimit të ciklit.	<p>Tubi i shkarkimit është përdredhur ose bllokuar.</p> <ul style="list-style-type: none"> Rregulloni tubin ose pastroni bllokimin.
	<p>Mund të mbetet ujë nëse është shkëputur energjia përpara se cikli të përfundojë normalisht, ose energjia është shkëputur në mënyrë manuale.</p> <ul style="list-style-type: none"> Filloni përsëri procesin.
Mekanizmat e spërkatjes nuk rrotullohen mirë.	<p>Vrimat e mekanizmave të spërkatjes janë bllokuar nga grimcat e ushqimeve.</p> <ul style="list-style-type: none"> Pastroni vrimat e mekanizmave të spërkatjes.
Rafti i sipërm është i bllokuar.	<p>Rafti nuk është përshtatur mirë.</p> <ul style="list-style-type: none"> Shihni seksionin Rafti i sipërm me lartësi të përshtatshme.
Llambat nuk ndizen.	<p>Energjia nuk është e lidhur.</p> <ul style="list-style-type: none"> Lidhni energjinë.
Brenda pajisjes ka shumë shkumë.	<p>Defekt në përdorimin e detergjentit të posaçëm për pajisjen.</p> <ul style="list-style-type: none"> Përdorimi i detergjentit të posaçëm vetëm për pajisjen.
	<p>Sasia e tepërt e shpëlarjes mund të shkaktojë shkumë.</p> <ul style="list-style-type: none"> Ulni nivelin e shpërndarjes së shkëlqyesit të enëve.
Detergjenti ka mbetur në dispenserin e detergjentit.	<p>Rafti i sipërm i pa-balancuar.</p> <ul style="list-style-type: none"> Rregulloni lartësinë majtas/djathtas të raftit të sipërm.
	<p>Detergjenti mund të mos shpërndahet pasi enët nuk janë vendosur mirë dhe kjo pengon hapjen automatike të dispenserit të detergjentit.</p> <ul style="list-style-type: none"> Vendosni siç duhet enët dhe gjithmonë thani dispenserin përpara se të shtoni detergjent tjetër në mënyrë që të mos grumbullohet bashkë.
Ka rrjedhje uji jashtë pajisjes.	<p>Dora mund të mos jetë mbyllur për shkak se pajisja është anuar. Në këtë rast mund të ndodhë rrjedhje uji.</p> <ul style="list-style-type: none"> Kontrolloni nivelimin duke rregulluar këmbën.
	<p>Instalimi i gabuar i tubit të shkarkimit mund të shkaktojë rrjedhje të ujit.</p> <ul style="list-style-type: none"> Kontrolloni pjesët lidhëse të tubit të shkarkimit.
	<p>Nëse energjia është fikur, rrjedhja e ujit mund të shkaktohet nga lidhje e keqe me rubinetin.</p> <ul style="list-style-type: none"> Kontrolloni lidhjen e tubit të furnizimit me ujë.

Performanca

Simptomat	Shkaqet e mundshme & Zgjidhja
Njolla në enët e qelqit	Kombinimi i detergjentit të tepërt me ujin e fortë <ul style="list-style-type: none"> • Përdorni më pak detergjent dhe gjithashtu përdorni shkëlqyes enësh për të reduktuar problemin. • Kontrolloni konfigurimin e sistemit të zbutjes.
Enët kanë njolla të zeza ose gri	Enët e aluminit fërkohen me enët e tjera gjatë ciklit <ul style="list-style-type: none"> • Poziciononi përsëri enët.
Ka shtresa të verdha ose kafe në brendësi të sipërfaqes së pajisjes	Njolla kafe ose çaji <ul style="list-style-type: none"> • Eliminoni njollat duke përdorur një produkt për heqjen e njollave.
Ka mbetur ujë i verdhë brenda lavastoviljes.	Kur të përdorni për herë të parë pajisjen, mund të gjenerohet ujë i verdhë në depozitën e zbutësit të ujit. <ul style="list-style-type: none"> • Kjo është diçka normale dhe nuk përbën rrezik për njerëzit. Do të zhduket pas 1 - 3 cikleve.

Simptomat	Shkaqet e mundshme & Zgjidhja
Enët kanë njolla ose shtresa	Është përdorur sasia e gabuar e detergjentit <ul style="list-style-type: none"> • Përdorni sasinë e rekomanduar të detergjentit.
	Ngarkesa e tepërt <ul style="list-style-type: none"> • Mos e ngarkoni më tepër seç duhet pajisjen.
	Ngarkesa jo e duhur <ul style="list-style-type: none"> • Shihni seksionin FUNKSIONIMI.
	Presion i pamjaftueshëm i ujit <ul style="list-style-type: none"> • Presioni i ujit duhet të jetë nga 0,05 - 0,6 MPa.
	Detergjenti i pamjaftueshëm <ul style="list-style-type: none"> • Shtoni sasinë e duhur të detergjentit. Shihni seksionin FUNKSIONIMI.
	Dispenseri i shkëlqyesit të enëve është bosh. <ul style="list-style-type: none"> • Rimbushni dispenserin e shkëlqyesit të enëve.
	Zbutësi i ujit nuk ka kripë ose nuk ka mjaftueshëm kripë. <ul style="list-style-type: none"> • Kontrolloni nëse ka kripë në sirtarin e zbutësit të ujit.
	Niveli i fortësisë së ujit mund të jetë vendosur shumë i ulët. <ul style="list-style-type: none"> • Rrisni vlerën e konfigurimit të nivelit të fortësisë së ujit.
	Shkëlqyesi i enëve mund të mos jetë mjaftueshëm. <ul style="list-style-type: none"> • Rimbushni shkëlqyesin e enëve ose rrisni nivelin e shpërndarjes.
	Krijimi i smërçit nga uji i fortë në brendësi të pajisjes <ul style="list-style-type: none"> • Hiqini të gjitha enët, koshin e takëmeve dhe mbajtësen e koshit të takëmeve nga pajisja. Në brendësi të pajisjes duhet të lini vetëm raftet. Për rezultate sa më të mira, përdorni pluhur acidi citrik (mund ta gjeni në sektorët e kanoçeve në shumicën e dyqaneve ushqimore ose në internet). Masni 3 lugë gjelle (45 g) pluhur acidi citrik. Mbushni ndarjen kryesore të larjes me pluhurin e matur. Nëse nuk keni mundur të gjeni pluhur acidi citrik, hidhni afërsisht 3/4 - 1 1/4 filxhanë (200 - 300 mL) uthull të bardhë në një tas të cekët dhe vendoseni në raftin e sipërm. Filloni ciklin Auto (Automatike). Mos përdorni detergjent. Kur cikli të ketë mbaruar, ndizeni përsëri.

Simptomat	Shkaqet e mundshme & Zgjidhja
Aromë e keqe	<p>Cikli i mëparshëm ka përfunduar përpara përfundimit dhe në pajisje ka mbetur tepriçë uji.</p> <ul style="list-style-type: none"> Ndizni energjinë, ndizni opsionin e ciklit Cancel (Anulo) për të hequr ujin e tepërt, dhe ndizni ciklin Turbo duke përdorur detergjent, por vetëm kur pajisja të jetë bosh.
	<p>Ka mbetje ushqimesh në fund të njësisë ose nëpër filtra.</p> <ul style="list-style-type: none"> Pastroni filtrin dhe pjesën e brendshme sipas seksionit MIRËMBAJTJA të manualit të përdoruesit.
	<p>Enët e palara janë lënë për një kohë të gjatë brenda në pajisje.</p> <ul style="list-style-type: none"> Ndizni ciklin me një filxhan uthull të bardhë në një gotë ose tas që i reziston pajisjes të vendosur në raftin e sipërm. (Uthulla është acid dhe nëse e përdorni vazhdimisht, mund të dëmtojë pajisjen tuaj.)
Në enë kanë mbetur njolla ushqimi.	<p>Përzgjedhja e ciklit jo të duhur</p> <ul style="list-style-type: none"> Përzgjidhni ciklin e duhur në varësi të nivelit të ndotjes dhe llojit të enëve që do të lahen.
	<p>Temperatura e ujit është e ulët.</p> <ul style="list-style-type: none"> Kontrolloni lidhjen e furnizimit me ujë dhe komandën e ngrohjes së ujit.
	<p>Detergjenti nuk është përthithur.</p> <ul style="list-style-type: none"> Përdorni detergjentin e rekomanduar.
	<p>Presioni i ulët i furnizimit me ujë</p> <ul style="list-style-type: none"> Presioni i ujit duhet të jetë nga 0,05 - 0,6 MPa.
	<p>Vrimat e rrymës së ujit në mekanizmat e spërkatjes janë bllokuar.</p> <ul style="list-style-type: none"> Pastroni mekanizmat e spërkatjes.
	<p>Ngarkesë e gabuar e enëve.</p> <ul style="list-style-type: none"> Sigurohuni që enët të mos bllokojnë rrotullimin e mekanizmit të spërkatjes ose të ndërhyjnë në dispenserin e detergjentit.
	<p>Filtrat janë bllokuar.</p> <ul style="list-style-type: none"> Pastroni filtrat.
	<p>Më tepër mbetje seç duhet nga ushqimet në enë.</p> <ul style="list-style-type: none"> Grimcat e mëdha të ushqimeve duhet të largohen nga enët përpara se të fillojë larja.

Tharja

Simptomat	Shkaqet e mundshme & Zgjidhja
Enët nuk thahen.	<p>Dispenseri i agjentit të shpëlarjes është bosh.</p> <ul style="list-style-type: none"> Kontrolloni dhe rimbushni dispenserin e agjentit të shpëlarjes nëse është bosh. Për rezultate më të mira tharje, hapeni pak derën pas funksionimit.
	<p>Tabletat e përdorura mund të mos jetë të përshtatshme për shkëlqyesin e enëve. Për këtë arsye tharja mund të mos jetë e mirë.</p> <ul style="list-style-type: none"> Ndryshoni tabletat me tableta që përfshijnë agjent shpëlarje (kontaktoni prodhuesin e tabletave nëse nuk jeni të sigurt). Në të kundërt, mund të përdorni një agjent shpëlarje të lëngshëm në dispenser nëse tabletat nuk kanë në përbërje agjent shpëlarje.
	<p>Është përzgjedhur një cikël pa opsionin Extra Dry (Tharje shtesë).</p> <ul style="list-style-type: none"> Përzgjidh një cikël që çon automatikisht tek opsioni Extra Dry (Tharje shtesë).

Wi-Fi

Simptomat	Shkaqet e mundshme & Zgjidhja
Pajisja juaj shtëpiake dhe telefoni juaj inteligjent nuk janë lidhur me rrjetin Wi-Fi.	<p>Fjalëkalimi për Wi-Fi me të cilin ju po përpiqeni të lidheni është i pasaktë.</p> <ul style="list-style-type: none"> Gjeni rrjetin Wi-Fi të lidhur me telefonin tuaj inteligjent dhe hiqeni atë, më pas regjistroni pajisjen tuaj në aplikacionin LG ThinQ.
	<p>Interneti celular për telefonin tuaj inteligjent është aktivizuar.</p> <ul style="list-style-type: none"> Çaktivizoni Internetin celular të telefonit tuaj inteligjent dhe regjistroni pajisjen duke përdorur rrjetin Wi-Fi.
	<p>Emri i rrjetit me valë (SSID) është vendosur gabimisht.</p> <ul style="list-style-type: none"> Emri i rrjetit me valë (SSID) duhet të jetë një kombinim i shkronjave dhe numrave anglisht. (Mos përdorni karaktere speciale).
	<p>Frekuenca e ruter-it nuk është 2.4 GHz.</p> <ul style="list-style-type: none"> Mbështetet vetëm një frekuencë ruteri prej 2.4 GHz. Konfiguroni ruterin me valë në 2.4 GHz dhe e lidhni pajisjen me ruterin me valë. Për të kontrolluar frekuencën e ruter-it, kontrolloni me ofruesin tuaj të shërbimit të internetit apo prodhuesin e ruterit.
	<p>Distanca ndërmjet pajisjes dhe ruter-it është tepër e madhe.</p> <ul style="list-style-type: none"> Nëse distanca ndërmjet pajisjes dhe ruter-it është shumë e madhe, sinjali mund të jetë i dobët dhe lidhja mund të mos jetë e konfiguruar në mënyrën e duhur. Lëvizni vendndodhjen e ruter-it në mënyrë që të jetë sa më afër pajisjes.

SHTOJCË

Të dhëna për produktin

Rregullorja e deleguar e komisionit (BE) Nr. 2019/2017

Emri i furnizuesit ose i markës tregtare: LG Electronics Inc

Adresa e furnitorit*²: LG Electronics European Shared Service Centre B.V., Krijgsman 1, 1186 DM Amstelveen, The Netherlands

*1 për programin eko.

*2 Ndryshimet në këto zëra nuk do të konsiderohen me rëndësi për qëllimet e paragrafit 4 të nenit 4 të Rregullores (BE) 2017/1369.

Identifikuesi i modelit: DF425***

Parametrat e përgjithshme të produktit:

Parametri	Vlera	Parametri	Vlera	
Kapaciteti i verësuar* ¹ (Vendos Cilësimet)	14	Përmasat në cm	Lartësia	85
			Gjerësia	60
			Thellësia	60
EEI* ¹	49,9	Klasa e efikasitetit energjetik* ¹	D	
Indeksi i performancës së pastrimit* ¹	1,13	Indeksi i performancës së tharjes* ¹	1,07	
Konsumi i energjisë në kWh [për cikël], me programin eko me mbushje me ujë të ftohtë. Konsumi aktual i energjisë do të varet nga mënyra se si përdoret pajisja.	0,849	Konsumi i ujit në litra [për cikël], me programin eko. Konsumi aktual i energjisë do të varet nga mënyra se si përdorni pajisjen dhe nga fortësia e ujit.	9,5	
Kohëzgjatja e programit* ¹ (o:min)	3:13 PD PD	Lloji	gjendje e lirë	
Emetimet ajrore të zhurmës akustike* ¹ (dB(A) re 1 pW)	41	Klasa e emetimit të zhurmës akustike në ajër* ¹	B	
Modaliteti fikur (W)	0,49	Modaliteti në gatishmëri (W)	0,49	
Shtyrja e fillimit (W) (nëse ka)	3,99	Gatishmëria në rrjet (W) (nëse ka)	1,99	
Kohëzgjatja minimale e garancisë të ofruar nga furnizuesi*²: 2 vjet				
Informacione shtesë: www.lg.com				

Identifikuesi i modelit: DF325***

Parametrat e përgjithshme të produktit:

Parametri	Vlera	Parametri	Vlera
Kapaciteti i verësuar* ¹ (Vendos Cilësimet)	14	Përmasat në cm	Lartësia 85
			Gjerësia 60
			Thellësia 60
EEI* ¹	55,9	Klasa e efikasitetit energjetik* ¹	E
Indeksi i performancës së pastrimit* ¹	1,13	Indeksi i performancës së tharjes* ¹	1,07
Konsumi i energjisë në kWh [për cikël], me programin eko me mbushje me ujë të ftohtë. Konsumi aktual i energjisë do të varet nga mënyra se si përdoret pajisja.	0,951	Konsumi i ujit në litra [për cikël], me programin eko. Konsumi aktual i energjisë do të varet nga mënyra se si përdorni pajisjen dhe nga fortësia e ujit.	9,5
Kohëzgjatja e programit* ¹ (o:min)	3:48 PD PD	Lloji	gjendje e lirë
Emetimet ajrore të zhurmës akustike* ¹ (dB(A) re 1 pW)	42	Klasa e emetimit të zhurmës akustike në ajër* ¹	B
Modaliteti fikur (W)	0,26	Modaliteti në gatishmëri (W)	0,26
Shtyrja e fillimit (W) (nëse ka)	3,99	Gatishmëria në rrjet (W) (nëse ka)	1,99
Kohëzgjatja minimale e garancisë të ofruar nga furnizuesi*²: 2 vjet			
Informacione shitesë: www.lg.com			

Identifikuesi i modelit: DF325**

Parametrat e përgjithshme të produktit:

Parametri	Vlera	Parametri	Vlera
Kapaciteti i verësuar* ¹ (Vendos Cilësimet)	14	Përmasat në cm	Lartësia 85
			Gjerësia 60
			Thellësia 60
EEI* ¹	55,9	Klasa e efikasitetit energjetik* ¹	E
Indeksi i performancës së pastrimit* ¹	1,13	Indeksi i performancës së tharjes* ¹	1,07
Konsumi i energjisë në kWh [për cikël], me programin eko me mbushje me ujë të ftohtë. Konsumi aktual i energjisë do të varet nga mënyra se si përdoret pajisja.	0,951	Konsumi i ujit në litra [për cikël], me programin eko. Konsumi aktual i energjisë do të varet nga mënyra se si përdorni pajisjen dhe nga fortësia e ujit.	9,5
Kohëzgjatja e programit* ¹ (o:min)	3:48 PD PD	Lloji	gjendje e lirë
Emetimet ajrore të zhurmës akustike* ¹ (dB(A) re 1 pW)	44	Klasa e emetimit të zhurmës akustike në ajër* ¹	B
Modaliteti fikur (W)	0,26	Modaliteti në gatishmëri (W)	0,26
Shtyrja e fillimit (W) (nëse ka)	3,99	Gatishmëria në rrjet (W) (nëse ka)	1,99
Kohëzgjatja minimale e garancisë të ofruar nga furnizuesi*²: 2 vjet			
Informacione shitesë: www.lg.com			

Rregullorja e deleguar e komisionit (BE) Nr. 1059/2010

Emri i furnizuesit ose i markës tregtare	LG			
	DF425***	DF325***	DF325**	
Kapaciteti i vlerësuar, sipas cilësimeve standarde të vendit, për ciklin standard të pastrimit	14			Vendos Cilësimet
Klasa e efikasitetit energjetik	A+++	A++	A++	
Nderuar me çmimin "EU Ecolabel" sipas Rregullores (KE) Nr. 66/2010	Nr.			
Konsumi i energjisë "X" kWh në vit, bazuar në 280 cikle standarde pastrimi duke përdorur mbushje me ujë të ftohtë dhe konsum të modaliteteve me energji të ulët. Konsumi aktual i energjisë do të varet nga mënyra se si përdoret pajisja.	237	266	266	kWh/vit
Konsumi i energjisë (Et) të ciklit standard të pastrimit	0,83	0,944	0,944	kWh
Konsumi i energjisë në modalitetin fikur	0,49	0,26	0,26	W
Konsumi i energjisë në modalitetin ndezur	0,49	0,26	0,26	W
Konsumi i ujit "X" litra në vit, në bazë të 280 cikleve standarde të pastrimit. Konsumi aktual i ujit do të varet nga mënyra se si përdoret pajisja.	2700			litra/vit
Klasa e efikasitetit të tharjes "X" me një shkallë nga G (më pak efikas) në A (më efikasja)	A			
'Eko' është cikli standard i pastrimit me të cilin lidhet informacioni në etiketë dhe fisha, që ky program është i përshtatshëm për pastrimin e takëmeve të kuzhinës të ndotura normalisht, dhe se është programi më efikas sa i përket energjisë së kombinuar dhe konsumit të ujit.				
Kohëzgjatja e programit për ciklin standard të pastrimit	193	228	228	min
Kohëzgjatja e modalitetit ndezur (TI)	1			min
Emetimet ajrore të zhurmës akustike	41	42	44	dB(A)
Gjendje e lirë				

KORISNIČKO UPUTSTVO

MAŠINA ZA PRANJE SUDOVA



Pre početka instaliranja pažljivo pročitajte ova uputstva. To će pojednostaviti instalaciju i obezbediti da se proizvod ispravno i bezbedno instalira. Čuvajte ova uputstva blizu proizvoda nakon instalacije za buduću referencu.

SRPSKI

DF425*** / DF325*** / DF325**

SADRŽAJ

Ovaj priručnik može sadržati slike ili sadržaje koji se razlikuju od modela koji ste kupili.

Ovo uputstvo podleže reviziji od strane proizvođača.

UPUTSTVA ZA BEZBEDNOST

PROČITAJTE SVA UPUTSTVA PRE UPOTREBE PROIZVODA	4
IZJAVE SA UPOZORENJEM.....	4
IZJAVE SA MERAMA OPREZA	9
ČUVANJE ŽIVOTNE SREDINE	11

MONTAŽA

Delovi i specifikacije	12
Priprema otvora kućišta	14
Nivelisanje uređaja	17
Instalacija odvodnog creva	18
Priprema priključaka za vodu i struju	19
Završna provera instalacije	20

RAD

Pre korišćenja	22
Pregled rada	25
Kontrolna tabla.....	27
Ciklusi pranja	28
Opcije i dodatne funkcije	29
Tabela programa.....	32
Informacije za test	39
Punjenje mašine za pranje sudova	40
Dodavanje sredstava za čišćenje.....	46
Punjenje	48
Korisni saveti	48

PAMETNE FUNKCIJE

LG ThinQ aplikacija	49
Smart Diagnosis (Pametna dijagnostika).....	51

ODRŽAVANJE

Čišćenje i održavanje	53
-----------------------------	----

REŠAVANJE PROBLEMA

Pre pozivanja servisa57

DODATAK

List sa podacima o proizvodu64

UPUTSTVA ZA BEZBEDNOST

PROČITAJTE SVA UPUTSTVA PRE UPOTREBE PROIZVODA

Naredne bezbednosne smernice imaju za cilj da spreče nepredviđene rizike ili štetu od nebezbednog ili nepravilnog korišćenja proizvoda.

Ove smernice se dele na „UPOZORENJE“ i „OPREZ“ kao što je opisano ispod.

Bezbednosne poruke



Ovaj simbol se prikazuje da bi se ukazalo na aspekte i radnje koje mogu da dovedu do rizika.

Pažljivo pročitajte deo sa ovim simbolom i pratite uputstva da biste izbegli rizik.



UPOZORENJE

Ovo znači da nepoštovanje uputstava može da dovede do ozbiljne povrede ili smrti.



OPREZ

Ovo znači da nepoštovanje uputstava može da dovede do manje povrede ili do oštećenja proizvoda.

IZJAVE SA UPOZORENJEM



UPOZORENJE

- Kako biste umanjili rizik od eksplozije, požara, smrtnog slučaja, strujnog udara ili povrede lica prilikom korišćenja proizvoda, potrebno je poštovati osnovne mere predostrožnosti o bezbednosti, uključujući i one koje slede:

Tehnička bezbednost

- NIje predviđeno da ovaj uređaj koriste osobe (uključujući decu) sa umanjenim fizičkim, čulnim ili mentalnim sposobnostima ili osobe sa

nedostatkom iskustva i znanja, osim ako nisu pod nadzorom ili imaju pomoć pri korišćenju uređaja od strane osobe odgovorne za njihovu bezbednost. Decu treba nadgledati da bi se obezbedilo da se ne igraju uređajem.

- Poštujte informacije date u Specifikacijama u vezi sa maksimalnim brojem podešavanja mesta za pranje u mašini za pranje sudova.
- Pritisak vode mora da bude između 0,05 MPa i 0,6 MPa.

Montaža

- Nikada ne pokušavajte da rukujete uređajem ako je on oštećen, ne radi kako treba, ako je delimično rasklopljen ili ima delove koji nedostaju ili su neispravni, uključujući oštećen kabl ili utikač.
- Ako je kabl za napajanje oštećen ili je otvor utičnice labav, nemojte da koristite kabl za napajanje i obratite se ovlašćenom servisnom centru.
- Nemojte da menjate strujni kabl koji je priložen sa uređajem. Obratite se centru za podršku korisnika kompanije LG za savet po pitanju njegove kompatibilnosti.
- Uređaj treba da transportuju isključivo dve ili više osoba držeći uređaj čvrsto.
- Ne instalirajte proizvod na vlažnom i prašnjavom mestu. Ne instalirajte i ne odlažite uređaj napolju ili u prostoru koji je izložen vremenskim uslovima kao što su direktna sunčeva svetlost, vetar ili kiša ili temperature ispod tačke smrzavanja.
- Ne koristite utičnice sa više mesta, produžni kabl za napajanje ili adapter sa ovim uređajem.
- Isključite strujni kabl, osigurač u kući ili automatski osigurač pre instaliranja ili servisiranja uređaja.
- Prilikom premeštaja ili postavljanja uređaja na drugu lokaciju pozovite kvalifikovano servisno osoblje za postavljanje i servisiranje.
- Čvrsto fiksirajte odvodno crevo u odgovarajućem položaju.
- Ovaj uređaj nije osmišljen za pomorsku upotrebu ili za mobilne instalacije kao što su rekreativna vozila, prikolice ili letelice.
- Ovaj uređaj mora da se postavi blizu izvora strujnog napajanja.

- Prilikom postavljanja ili premeštanja uređaja budite oprezni da ne priklješćite, zgnječite ili oštetite strujni kabl.
- Koristite novo crevo za vodu ili komplet creva koji se isporučuje uz uređaj. Upotrebom starih creva možete da izazovete curenje vode i posledično oštećenje imovine.
- Nepravilno priključivanje provodnika za uzemljenje opreme može dovesti do opasnosti od strujnog udara. Konsultujte se sa kvalifikovanim električarem ili serviserom ako niste sigurni da li je uređaj ispravno uzemljen.
- Ovaj uređaj mora biti uzemljen. U slučaju oštećenja ili kvara, uzemljenje će smanjiti rizik od strujnog udara obezbeđivanjem putanje najmanjeg otpora za tok struje.
- Uređaj je opremljen kablom za napajanje koji ima provodnik za uzemljenje opreme i utikač za uzemljenje. Utikač mora da se priključi u odgovarajuću utičnicu koja je instalirana i uzemljena u skladu sa svim lokalnim propisima i uredbama.
- Nakon postavljanja proverite priključak za crevo zbog curenja pre premeštanja uređaja u otvor kućišta.
- Nemojte da oštetite ili postavite teške predmete na strujni kabl uređaja.
- Ovaj uređaj je namenjen isključivo za upotrebu u domaćinstvu i za kućnu upotrebu i ne sme da se koristi u komercijalne svrhe.
- Za trajno povezanu mašinu za pranje posuđa: ovaj uređaj mora da se poveže sa uzemljenim metalnim, trajno ožičenim sistemom ili provodnik za uzemljenje opreme mora da se pokrene sa provodnicima kola i da se poveže sa terminalom za uzemljenje opreme ili da vodi do uređaja.
- Povežite žicu za uzemljenje sa zelenim priključkom za uzemljenje u kućištu terminala.

Rad

- Odmah isključite strujni utikač i obratite se centru za podršku korisnika kompanije LG Electronics ako primetite čudan zvuk, miris ili dim koji dolazi iz uređaja.

- Ne popravljajte i ne zamenjujte bilo koji deo uređaja. Sve popravke i servisiranje mora da obavlja kvalifikovani serviser, osim ukoliko nije drugačije navedeno u ovom korisničkom uputstvu. Koristite samo odobrene fabričke delove.
- Ne ostavljajte vrata uređaja otvorena. Deca mogu da se zakače za vrata ili uđu u uređaj, što može izazvati oštećenja ili povrede.
- Ne koristite zapaljiv gas i supstance (benzen, benzin, razređivač, nafta, alkohol itd.) u blizini uređaja.
- Ne pokušavajte da skinete table niti da rasklopite uređaj. Nemojte oštrim predmetima dodirivati kontrolnu tablu da biste rukovali uređajem.
- Pazite da se kabl previše ne savija ili da nije pritisnut nekim teškim predmetom.
- Ne stavljajte životinje, kao što su kućni ljubimci unutar proizvoda.
- Ne dodirujte utikač ili kontrole uređaja mokrim rukama.
- Ako dođe do curenja gasa (izobutan, propan, prirodni gas itd.), ne dirajte uređaj ili utikač i odmah provetrite prostoriju.
- U slučaju poplave, isključite utikač iz utičnice i kontaktirajte sa korisničkim centrom kompanije LG Electronics.
- U određenim uslovima moguće je da se proizvede gas vodonika u sistemu tople vode koji nije korišćen dve nedelje ili duže. **GAS VODONIKA JE EKSPLOZIVAN.** Ako sistem tople vode nije korišćen toliko dugo, pre korišćenja uređaja odvrnite sve slavine za toplu vodu i pustite da voda teče iz svake slavine nekoliko minuta. Tako će se osloboditi sav nakupljeni gas vodonika. Pošto je gas zapaljiv, nemojte da pušite ili da koristite otvoren plamen tokom tog vremena.
- Ispod i oko uređaja ne držite zapaljive materijale kao što su ostaci od prediva, papir, krpe, hemikalije itd.
- Neki deterdženti za pranje sudova su izuzetno alkalni. Mogu da budu izuzetno opasni ako se progutaju. Izbegavajte kontakt sa kožom i očima i držite decu podalje od mašine za pranje sudova kada su vrata otvorena. Proverite da li je posuda za deterdžent prazna nakon završetka ciklusa pranja.

- Nemojte da koristite uređaj ako svi paneli kućišta nisu pravilno postavljeni u položaju.
- Koristite samo deterdžente ili sredstva za kvašenje koji su preporučeni za upotrebu u uređaju i držite ih podalje od domašaja dece.
- Nemojte da perete i sušite predmete koji su natopljeni eksplozivnim supstancama kao što su benzin, rastvarači, deterdžent na bazi rastvarača.
- Prilikom ubacivanja predmeta za pranje:
 - Proverite da li ima oštih predmeta da ne bi mogli da oštete zaptivku na vratima.
 - Ubacite oštre noževe tako da ručke budu okrenute nagore da smanjite rizik od povreda nalik posekotinama.
- Nemojte da perete plastične predmete osim ako nose oznaku „bezbedno za pranje u mašini za pranje sudova” ili sličnu oznaku. Kod plastičnih predmeta koji nemaju tu oznaku proverite preporuke proizvođača.
- Nemojte da dodirujete nijedan grejni element (tamo gde je izložen) tokom upotrebe ili neposredno nakon nje.
- Nemojte nepropisno da koristite vrata ili policu za posuđe u mašini za pranje sudova, da sedite ili stojite na njima.
- Nakon pranja sudova isključite slavinu. Ponovo uključite slavinu i proverite status povezivanja dovodnog creva za vodu pre čišćenja.
- Nemojte da otvarate vrata dok se uređaj koristi. Doći će do prskanja vode zbog čega može nastati rizik od klizanja.
- Vodite računa da ne uklješтите ruku prilikom zatvaranja vrata uređaja.
- Nemojte da perete i sušite predmete koji su natopljeni eksplozivnim supstancama kao što su benzin, rastvarači, deterdžent na bazi rastvarača.
- Nemojte da dolazite u kontakt sa postavljenim izlazom za paru.
- Mali delovi, kao što su spojnice za policu i stubići za zadržavanje filtera, mogu predstavljati opasnost od gušenja za malu decu ako se izvade iz mašine za pranje sudova. Čuvajte van domašaja male dece.

- Noževi i ostali kuhinjski pribor sa oštrim vrhom mora da se ubaci u korpu sa vrhom nadole ili da se postave u horizontalan položaj.
- Vrata ne treba da ostanu u otvorenom položaju jer to može da predstavlja opasnost od saplitanja.

Održavanje

- Nikada ne isključujte uređaj povlačenjem kabla za napajanje. Uvek čvrsto uhvatite utikač i ravnim izvlačenjem ga isključite iz utičnice.
- Priključite utikač u utičnicu nakon što ste u potpunosti uklonili vlagu ili prašinu.
- Ne prskajte vodu ni po spoljašnjosti ni po unutrašnjosti uređaja kako biste ga očistili.
- Isključite uređaj iz napajanja pre čišćenja uređaja. Postavljanje kontrola na položaj ISKLJUČENO ili stanje pripravnosti ne isključuje ovaj uređaj iz napajanja.

Odlaganje

- Pre odlaganja starog uređaja isključite njegov kabl iz utičnice. Isecite kabl odmah iza uređaja da biste sprečili nepravilnu upotrebu.
- Odložite sav materijal za pakovanje (poput plastičnih kesa i stiropora) dalje od dece. Materijal za pakovanje može da izazove gušenje.
- Uklonite vrata pre uklanjanja uređaja iz upotrebe ili njegovog odlaganja da biste sprečili da se deca ili male životinje zarobe u unutrašnjosti uređaja.

IZJAVE SA MERAMA OPREZA

OPREZ

- Kako biste umanjili rizik od požara, strujnog udara ili povrede lica prilikom korišćenja proizvoda, potrebno je poštovati osnovne mere predostrožnosti o bezbednosti, uključujući i one koje slede:

Montaža

- Postavite proizvod na čvrst i ravan pod.
- Nemojte da postavljate odvodno crevo ispod mašine za pranje sudova tokom postavljanja.

Rad

- Isključite slavinu za vodu i isključite uređaj iz napajanja ako se uređaj ostavlja duže vreme, na primer tokom odmora.
- Nemojte da postavljate predmete preko uređaja.
- Nemojte da brišete ili oblažete površinu proizvoda tečnim deterdžentom ili izbeljivačem (izbeljivač sa hlorom, izbeljivač na bazi kiseonika itd.). Nepoštovanje ovih uputstava može da dovede do korozije ili gubitka boje površinskog sloja.
- Nemojte da dodirujete odvodno crevo za vodu iz mašine jer može da bude vrelo.
- Ako se odvodno crevo i dovodno crevo za vodu zalede tokom zime, odmrznite ih pre korišćenja.
- Nemojte da postavljate šake, stopala ili metalne predmete ispod ili iza uređaja.
- Nemojte da perete posuđe isflecano hemijskim proizvodima kao što su ulje, krema ili losioni koji se koriste u studiju za masažu, prodavnici za negu kože, prodavnici proizvoda za ulepšavanje ili berbernici.

Održavanje

- Ako se ulje za kuvanje prospe na spoljašnju površinu proizvoda, odmah ga obrišite. Nemojte da čistite spoljašnju površinu proizvoda sredstvima za čišćenje koji sadrže alkohol, razređivačima, izbeljivačem, benzenom, zapaljivim tečnostima ili abrazivnim sredstvima. Ove supstance mogu da dovedu do gubitka boje ili oštećenja uređaja.

ČUVANJE ŽIVOTNE SREDINE

Odlaganje starog aparata



- Ovaj simbol precrtana kanta za smeće pokazuje da električni i elektronski otpad (WEEE) treba da se odlaže odvojeno od običnog komunalnog otpada.
- Stari električni aparati mogu da sadrže otrovne supstance, tako da će pravilno odlaganje Vašeg starog aparata pomoći sprečavanju pojave negativnih posledica po životnu sredinu i zdravlje ljudi. Vaš stari aparat može da sadrži delove za višekratnu upotrebu koji se mogu koristiti za zamenu drugih proizvoda i druge vredne materijale koji se mogu reciklirati radi očuvanja ograničenih resursa.
- Vaš uređaj možete da odnesete u radnju gde ste ga kupili ili da kontaktirate lokalnu vladinu kancelariju za otpad kako biste dobili informaciju o najbližoj autorizovanoj WEEE stanici za odlaganje ovog otpada. Za najnovije informacije za Vašu zemlju, molimo Vas da pogledate web stranicu www.lg.com/global/recycling.

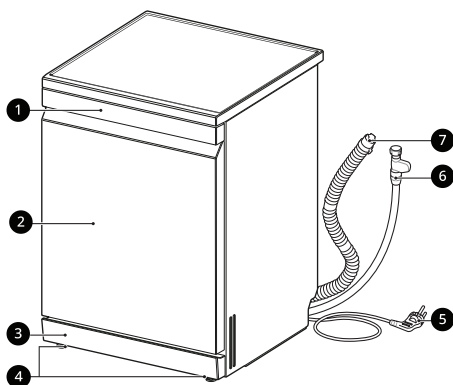
MONTAŽA

Delovi i specifikacije

NAPOMENA

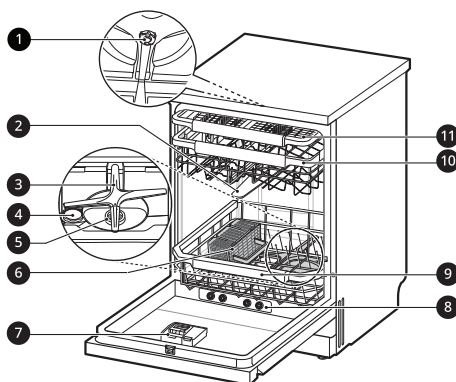
- Izgled i specifikacije se mogu promeniti bez prethodnog obaveštenja u cilju unapređenja kvaliteta uređaja.

Izgled prednje strane



- 1 Kontrolna tabla i ručka na vratima
- 2 Prednji poklopac
- 3 Donji poklopac
- 4 Nožice za nivelisanje
- 5 Strujni kabl
- 6 Dovodno crevo za vodu
- 7 Odvodno crevo

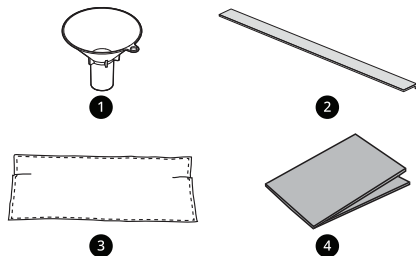
Prikaz iznutra



- 1 Rotor za gornje pranje
- 2 Gornja prskalica
- 3 Donja prskalica
- 4 Poklopac posude za so
- 5 Sistem za filtriranje
- 6 Korpa za escajg*1
- 7 Dozator za deterdžent i sredstvo za ispiranje
- 8 Mlaznica za paru*1
- 9 Donja polica
- 10 Gornja polica
- 11 Polica za pribor*1

*1 Ova funkcija je dostupna samo na nekim modelima.

Dodatna oprema



- ❶ Levak
- ❷ Kaiš za izolaciju buke *1
- ❸ Poklopac sa filcom
- ❹ Traka za blokiranje vlage (aluminijumska traka)

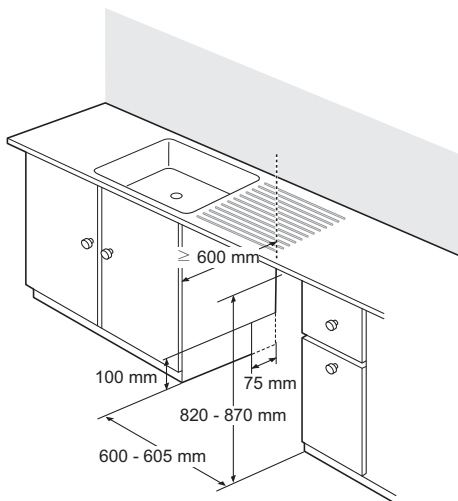
*1 Trake za izolaciju buke su priložene: donja - 1 kom, prednja - 1 kom, bočna - 2 kom.

Specifikacije

Model	DF325*** / DF325**	DF425***
Napajanje	220 - 240 V~, 50 Hz	
Dimenzije (Širina X Dužina X Visina)	600 mm X 600 mm X 850 mm	
Težina proizvoda	Približno 49 kg	Približno 52 kg
Maks. kapacitet	Podešavanje 14 mesta	
Dozvoljeni pritisak vode na ulazu	0,05 - 0,6 MPa	
Potrošnja energije	1600 - 1800 W	

Priprema otvora kućišta

Biranje odgovarajuće lokacije



- Instalirajte uređaj na ravnoj i stabilnoj površini.
- Usečen za creva i strujne kablove na obe strane. (Otprilike 100 mm x 75 mm)
- Izaberite lokaciju koja je što je moguće bliža sudoperi za jednostavno povezivanje sa cevima za vodu i odvodnim cevima.
- Da biste obezbedili odvod, uređaj ne treba da se postavlja tako da je od sudopere udaljen više od 1 metra.
- Ako se uređaj postavi u ugao, obezbedite rastojanje od najmanje 50 mm između uređaja i susedne police ili zida.
- Pre nego što ubacite kliznim pokretom uređaj u otvor za postavljanje, potrebno je obaviti sva neophodna podešavanja visine korišćenjem matičnog ključa.

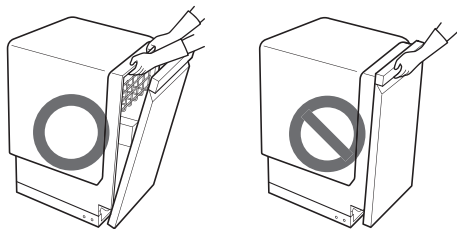
⚠ OPREZ

- Svaka izložena drvena površina koja se nalazi u okolini uređaja treba da se premaže vodootpornom farbom ili zaptivnom smesom da bi se sprečilo bubrenje.
- Ubacite pažljivo mašinu za pranje sudova kliznim pokretom u otvor na kućištu. Proverite da li odvodno crevo iza mašine i unutar kućišta nisu prignječeni ili zategnuti.

- Postavite uređaj na ravnu i stabilnu površinu. Nemojte da postavljate predmete između poda i osnove ili nožice uređaja.

NAPOMENA

- To postavljanje mora da obavi kvalifikovano servisno osoblje da bi se obezbedilo da je ispravno postavljen.
- Nemojte da povlačite ili podižete uređaj korišćenjem ručke; u suprotnom možete da oštetite vrata ili šarke. Otvorite vrata i uhvatite okvir glavnog dela i gornji prednji otvor bubnja da pomerite ili podignete uređaj.



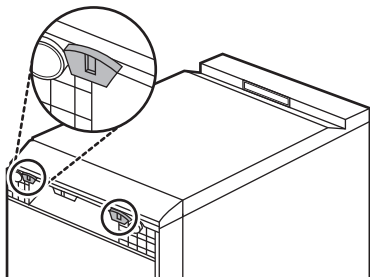
- Nemojte da gurate vrata mašine za pranje sudova kolenima.



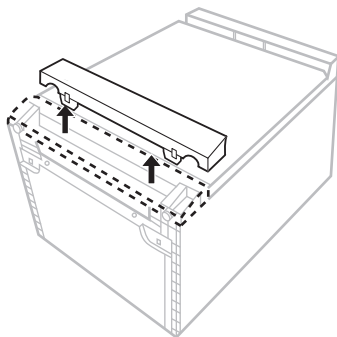
Postavljanje trake na osnovu uređaja

Da biste smanjili buku, postavite traku na osnovu uređaja.

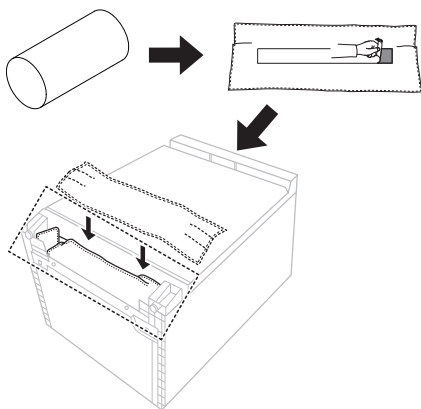
- 1** Položite uređaj i povucite obe kuke na dnu donjeg poklopca.



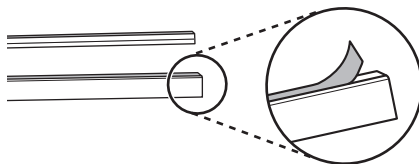
- 2** Povucite donji poklopac da ga uklonite.



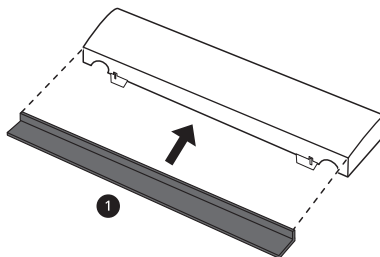
- 3** Uklonite dvostranu traku na poleđini filca i prikačite je na prednju stranu donjeg dela uređaja.



- 4** Uklonite dvostranu traku sa donjih i prednjih traka.

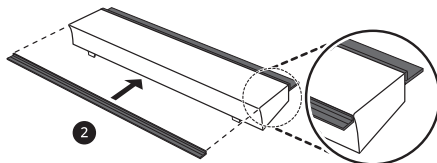


- 5** Prikačite crnu donju traku **1** na donji deo donjeg poklopca.

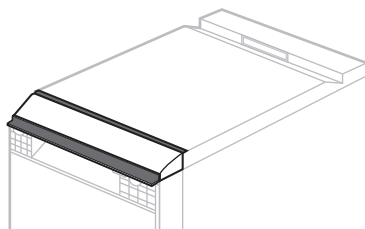


- 6** Prikačite belu prednju traku **2** na gornji deo donjeg poklopca.

- Dužina prednje trake je duža od donjeg poklopca. Prikačite prednju traku tako da deo koji viri bude jednak na obe strane donjeg poklopca.



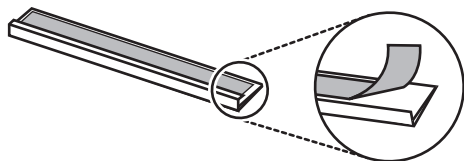
- 7** Prikačite donji poklopac na uređaj uz pomoć trake.



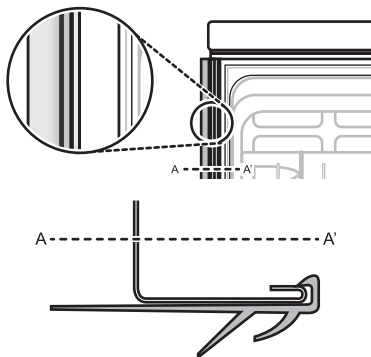
Postavljanje trake na bočnu komoru uređaja

Da biste smanjili buku, prikačite traku na bočne strane uređaja, ako to dozvoljava prostor na otvoru.

- 1 Uklonite dvostranu traku sa bočnih traka.



- 2 Prikačite bočnu traku na prednju stranu bočne komore i zatim gurnite bočnu traku nadole tako da se bočna traka zalepi dobro za komoru.

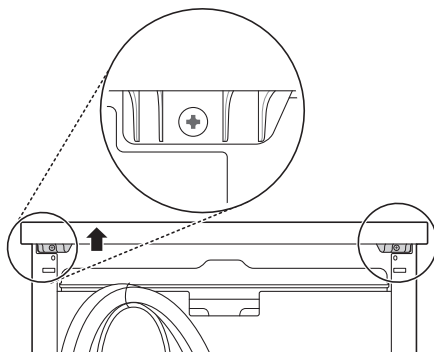


- 3 Ponovite gorenavedene korake prilikom prikačivanja trake suprotne strane na komoru na suprotnoj strani.

Uklanjanje gornjeg poklopca

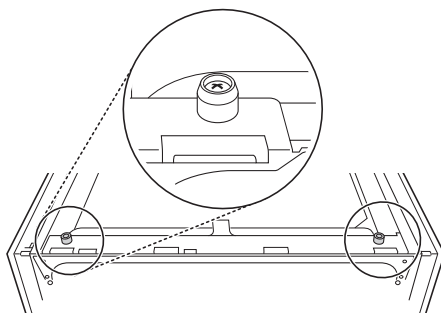
Ako je visina otvora manja od 850 mm, pratite sledeća uputstva.

- 1 Uklonite 2 zavrtnja na poleđini.



- 2 Povucite gornji poklopac unazad nakon što uklonite dva zavrtnja i zatim ga podignite i uklonite.

- 3 Uklonite pinove za lociranje na vrhu korišćenjem šrafcižera kompanije Phillips.



NAPOMENA

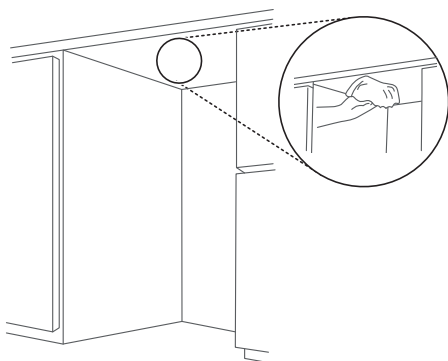
- Kada je uređaj pravilno poravnat, ne bi trebalo da postoje nagib, lepljivost ili zvuk tarenja prilikom otvaranja vrata.

Postavljanje trake za blokiranje vlage

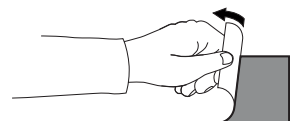
Kada se uređaj postavi bez gornjeg poklopca, donja strana radne površine može da se ošteti parom ili kondenzacijom kada su vrata otvorena.

- Postavite traku za blokiranje vlage na donju stranu radne površine da zaštitite radnu površinu od kondenzacije kada se uređaj otvori.

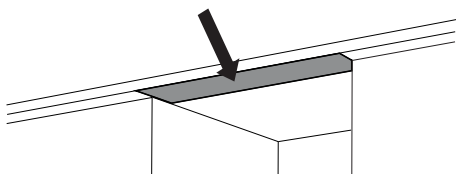
- 1** Očistite i osušite donju stranu radne površine gde će se postaviti traka.



- 2** Uklonite zaštitni film sa trake.



- 3** Postavite traku na donju stranu radne površine.



NAPOMENA

- Traka za blokadu vlage priložena je uz torbu za ručno sklapanje.
- Ako je radna površina napravljena od granita ili vodootpornih materijala, traka za blokadu vlage nije neophodna.
- Kondenzacija se može javiti na donjoj strani ili duž prednje ivice radne površine kada je sobna temperatura niska.

Nivelisanje uređaja

Provera nivoa

Nivelisanje uređaja sprečava nepotrebno curenje i loše pranje. Proverite da li je uređaj savršeno nivelisan nakon postavljanja.

- Ako se uređaj ljulja prilikom pritiskanja gornje ploče uređaja dijagonalno, ponovo podesite nožice.

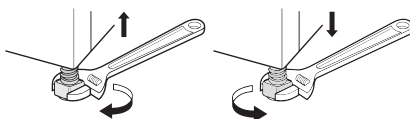
NAPOMENA

- Uređaj nije nivelisan ako je prisutan zvuk tarenja ili lepljivost kada se vrata otvore.

Podešavanje i nivelisanje uređaja

Kada uređaj nije savršeno nivelisan, okrećite podesive nožice sve dok se uređaj više ne klati.

- Okrećite podesive nožice u smeru kretanja kazaljki na satu da podignete ili okrećite podesive nožice u smeru suprotnom od kretanja kazaljki na satu da spustite od prednje ka zadnjoj strani, od jedne bočne ka drugoj bočnoj strani i od jednog ugla ka drugom uglu.



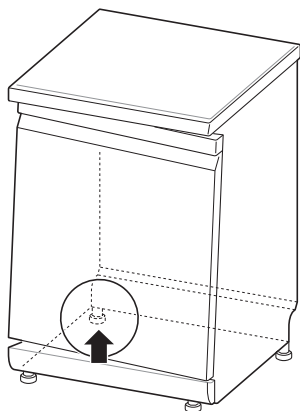
NAPOMENA

- Postavite uređaj na čvrsti, ravan pod.
- Nemojte da postavljate uređaj na uzvišenoj površini.

1. slučaj - Vrata su nagnuta nadesno

- 1** Odvijte (u smeru suprotno kazaljka na satu) zadnju levu nogu i popravite nivelisanje.

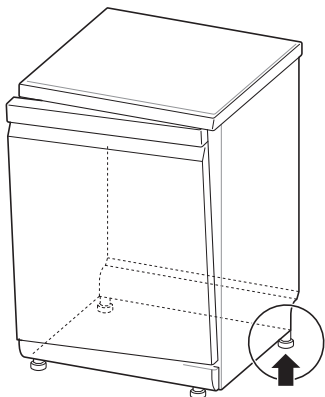
- 2** Proverite otvaranje vrata i ponovite po potrebi dok se ne postigne pravilno otvaranje i zatvaranje vrata.



2. slučaj - Vrata su nagnuta nalevo

- 1** Odvijte (u smeru suprotno kazaljka na satu) zadnju desnu nogu i popravite nivelisanje.

- 2** Proverite otvaranje vrata i ponovite po potrebi dok se ne postigne pravilno otvaranje i zatvaranje vrata.



Instalacija odvodnog creva

Ako se kraj odvodnog creva ne smešta u odvodna creva, koristite produžni komplet za odvod (opciono) koji je otporan na toplotu i deterđent.

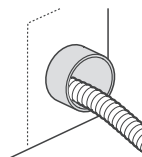
- Trebalo bi da je dostupan u prodavnici vodoinstalaterske opreme ili u prodavnici hardvera.

Povezivanje sa odvodnim ventilom

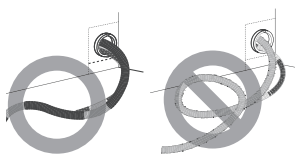
Proverite odvodni ventil prilikom prvog postavljanja. ☒ greška se može javiti kada cev za otpadnu vodu ispod lavaboja nije pravilno probušena. Da biste povezali odvodno crevo, izbušite otvor prečnika najmanje 15 mm u odvodni ventil pre povezivanja i pričvršćivanja.

⚠ OPREZ

- Postarajte se da plastični otpad ne ostaje unutar odvodnog ventila nakon što se probuši.
- Nemojte da pokušavate da otvorite otvor za otpad šrafciigerom ili čekićem. To će dovesti do toga da se otpad zaglavi i da izazove kvar.
- Potrebno je biti oprezan prilikom provlačenja creva kroz otvore na kuhinjskim elementima jer mogu da imaju oštre ivice i da oštete creva. Ugladite i išmirglajte ivice da izbegnete oštećenje odvodnog ili ulaznog creva.



- Postarajte se da crevo nije uvijeno ili oštro prelomljeno.

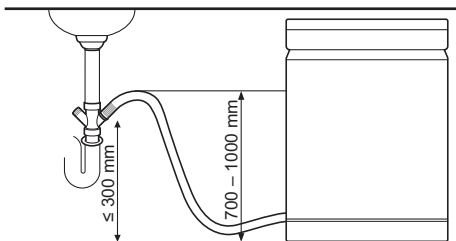


- Postarajte se da odvodno crevo bude pravo pre nego što sprovedete njegov kraj kroz otvor za dovod vode.

Da biste sprečili zadržavanje vode, neophodno je primeniti jednu od sledećih metoda.

1. metoda

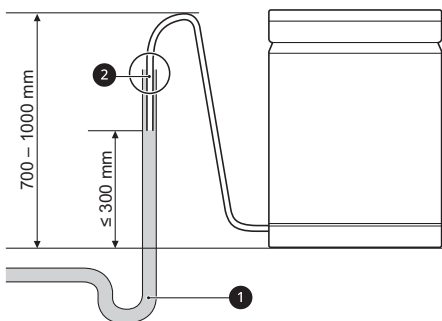
Kada se odvodno crevo poveže sa otpadnim ventilom, crevo mora da se namota ka zadnjoj strani gornje ploče i da se pričvrsti.



2. metoda

Kada se odvodno crevo poveže sa zasebnim hidrantskim priključkom ❶, neophodno je da se obavi hermetičko povezivanje ❷. Ako se to ne obavi, moguće je da se pojave neprijatni mirisi.

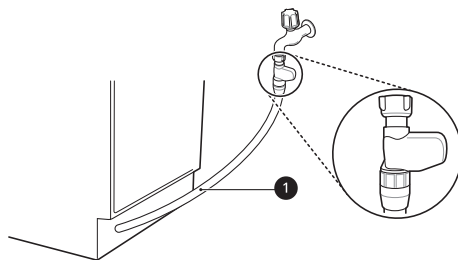
- Prečnik hidrantskog priključka je najmanje 40 mm.



Priprema priključaka za vodu i struju

Povezivanje creva sa slavinom za vodu

Povežite crevo za dovod vode ❶ sa slavinom za vodu.

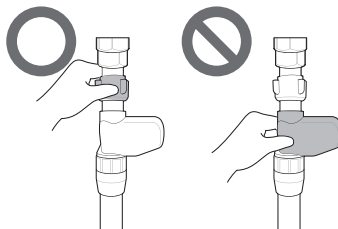


⚠ UPOZORENJE

- Nemojte da skraćujete ili oštetite crevo za dovod vode jer sadrži električne žice i komponente. Nije dozvoljeno da se odvaja ili uklanja sa uređaja za svrhe postavljanja.
- Važno je da se crevo za dovod vode ne otvara, seče, rasklapa, povlači ili presavija. Sadrži električne žice u unutrašnjosti i ako se ošteti, može da izazove rizik od električne nezgode.

⚠ OPREZ

- Koristite samo navojni zavrtanj creva za dovod vode da ga zategnete na slavinu.
- Nemojte da presavijate ili uvrćete crevo za dovod vode kada ga povezujete sa slavinom.



- Ovaj uređaj može da se napaja vrućom ili hladnom vodom. Ako se priključak za vodu ne može održavati ispod temperature od 65 °C, mora se povezati sa hladnom vodom.

⚠ OPREZ

- Koristite traku za zaptivanje ili smesu za zaptivanje na navoju slavine da izbegnete curenje vode.
- Postarajte se da crevo nije uvijeno ili oštro prelomljeno.

NAPOMENA

- Pre nego što povežete dovodno crevo za vodu sa slavinom vodu, uključite slavinu da biste isprali strane materije (prašinu, pesak ili opiljke) iz creva za vodu. Pustite da voda iscure u kofu.
- Potrebno je oko 3–4 minuta za prvi dovod vode.

Sprovođenje strujnog ožičenja

Povežite uređaj sa uzemljenom utičnicom u skladu sa aktuelnim propisima za ožičenje, uz zaštitu automatskog osigurača od najmanje 15 amp ili osigurač sa vremenskim odlaganjem.

Ožičenje mora da se sastoji od dve žice sa uzemljenjem.

Strujni kabl ne treba da se postavlja iza uređaja, već unutar rastojanja od 1,2 m od bočne strane tako da utikač bude lako dostupan.

⚠ UPOZORENJE

- Za ličnu bezbednost uklonite osigurač u kući ili otvorite automatski osigurač ili isključite utikač iz utičnice pre postavljanja.
- Ne koristite produžni kabl ili dupli adapter.
- Utikač se mora priključiti u odgovarajuću utičnicu koja je ispravno instalirana i uzemljena u skladu sa svim lokalnim propisima i uredbama.
- Popravke uređaja moraju da obavljaju kvalifikovane osobe. Popravke koje izvršavaju osobe bez iskustva mogu servisnog dovesti do povreda ili ozbiljnih kvarova. Obratite se našem lokalnom servisnom centru.
- Povežite se sa strujnim kolom pravilne jačine struje, koje je pravilno zaštićeno i odgovarajućih dimenzija da bi se izbeglo strujno preopterećenje.

Završna provera instalacije

Testiranje mašine za pranje sudova

- 1 Uključite električno napajanje.
- 2 Uključite dovod vode u kući.
- 3 Vrata treba da se otvaraju neometano i bez oštih zvukova, ako je jedinica pravilno iznivelisana.
- 4 Pokrenite uređaj u ciklusu **Rinse (Ispiranje)** da potvrdite pravilan rad i proverite da li ima curenja.

Provera kodova greški kod instalacije

Šifra greške	Mogući uzrok i rešenje
OE	<p>Odvodno crevo je presavijeno ili prignječeno.</p> <ul style="list-style-type: none"> • Sprovedite odvodna i dovodna creva kroz otvor ispod sudopere. Zatim postepeno kliznim pokretom ubacite mašinu za pranje sudova u komoru dok povlačite creva ispod sudopere da biste ih zategli. Na taj način se lakše izbegava presavijanje creva ili zaglavljivanje ispod mašine za pranje sudova.
	<p>Odvodni ventil ispod sudopere je začepljen.</p> <ul style="list-style-type: none"> • Izbušite otpadni ventil ispod sudopere.

Šifra greške	Mogući uzrok i rešenje
I E	<p>Dovodna cev za vodu je presavijena ispod mašine za pranje sudova.</p> <ul style="list-style-type: none">• Sprovedite odvodna i dovodna creva kroz otvor ispod sudopere. Zatim postepeno kliznim pokretom ubacite mašinu za pranje sudova u komoru dok povlačite creva ispod sudopere da biste ih zategli. Na taj način se lakše izbegava presavijanje creva ili zaglavljivanje ispod mašine za pranje sudova.
	<p>Dovod vode u kući nije uključen.</p> <ul style="list-style-type: none">• Uključite vodu. Vodeni pritisak može da bude previše visok ili previše nizak.

RAD

Pre korišćenja

Ovaj model ima omekšivač vode za omekšavanje tvrde vode.

- 3 Proverite boju tvrdoće vode na traci. Pogledajte omotač.

NAPOMENA

- Uređaj može da se koristi bez soli mašine za pranje sudova ako nije neophodna; međutim, nivo tvrdoće treba da se podesi na H0 tako da ikonica ne ostaje uključena.
- Da bi se obezbedili zadovoljavajući rezultati ispiranja, uređaju je neophodna meka voda, tj. voda koja sadrži veoma malu koncentraciju kamenca ili nimalo kamenca; u suprotnom na sudovima i u unutrašnjosti uređaja zaostaju vodeni tragovi.
- Ako se premaši određeni nivo tvrdoće vode sa slavine, mora da se omekša, tj. dekalциfikuje. To se postiže dodavanjem soli za mašinu za pranje sudova u omekšivač za vodu unutar uređaja. Potrebna količina soli podešava se u skladu sa tim koliko je tvrda voda sa slavine.

Provera nivoa tvrdoće vode

1. metoda

- 1 Proverite tvrdoću vode u svojoj oblasti. Komunalna kompanija za vodu može da vam pomogne da to obavite.
- 2 Podesite nivo sistema za omekšavanje uređaja u skladu sa nivoom tvrdoće vode.

2. metoda

Možete da proverite tvrdoću vode korišćenjem trake za testiranje koja je priložena u proizvodu.

- 1 Potopite sve reaktivne zone trake za testiranje otprilike jednu sekundu. Nemojte da koristite tekuću vodu.
- 2 Otrесite višak tečnosti sa trake i sačekajte 1 minut.

Tabela tvrdoće vode

Tvrdoća vode							Nivo omekšavanja	Odnos*1
ppm	°d	°e	°f	mmol/l (Ca+Mg)	mg/l (Ca)	Opseg		
0	<4	<5	<7	<0,7	<29	Meka	H0	-
75	4 - 7	5 - 9	7 - 13	0,7 - 1,3	29 - 50		H1	01:24
125	7 - 14	9 - 17,5	13 - 25	1,3 - 2,5	50 - 100		H2	1:7
250	14 - 21	17,5 - 26	25 - 38	2,5 - 3,8	100 - 150		H3	1:4
375	>21	>26	>38	>3,8	>150		Tvrda	H4

*1 Broj regeneracija omekšivača vode *2: Broj ciklusa pranja *3

*2 Regeneracija omekšivača vode odvija se na kraju glavnog pranja u skladu sa programom **Eco**.

*3 Ciklus pranja sastoji se od 4 radnje (pretpranje, glavno pranje, ispiranje, ispiranje uz zagrevanje) u skladu sa programom **Eco**.

Podešavanje sistema za omekšavanje vode

Za efikasan rezultat pranja obavite podešavanje u skladu sa nivoom tvrdoće vode koja se koristi u dovodu vode. Omekšivač vode ima 5 nivoa podešavanja, a uređaj je programiran fabrički na nivo tvrdoće vode H2. Možete da proverite podrazumevanu vrednost podešavanja i da je podesite u sledećim koracima:

- 1 Pritisnite dugme **Napajanje** i **Half Load (Polovina kapaciteta)** istovremeno.
 - Naznačena trenutna vrednost podešavanja.
- 2 Pritisnite dugme **Delay Start (Odloženo pokretanje)**, a zatim podesite nameravanu vrednost.
 - Opseg vrednosti podešavanja je od H0 do H4.
- 3 Pritisnite dugme **Start (Pokretanje)** da sačuvate podešavanje.
 - Napajanje se isključuje nakon što sačuvate.

NAPOMENA

- Ikonica **Punjenje soli** se uključuje na ekranu ako so za mašinu za pranje sudova nije u sistemu za omekšavanje.
- Ako je nivo tvrdoće podešen na H0, nijedna ikonica ne obaveštava uprkos nedostatku soli.

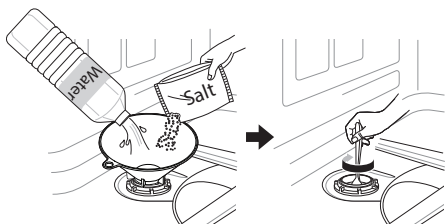
Sipanje soli za mašinu za pranje sudova

Dozator soli mora da se sipa pre pokretanja programa pranja. U slučaju nedostatka soli, ikonica **Dopuna soli** se uključuje na ekranu, osim kada je nivo tvrdoće vode podešen na H0.

OPREZ

- Nakon što sipate so u mašinu za pranje sudova, morate odmah da pokrenete ciklus Ispiranje da uklonite so i slanu vodu oko unutrašnje komore za pranje da sprečite koroziju.

- 1 Uklonite donju policu i uklonite poklopac dozatora za so koja se nalazi na levoj strani filtera.
- 2 Pre prvog korišćenja uređaja neophodno je da se istovremeno sipa 1 kg soli za mašinu za pranje sudova i 1 litar vode ukoliko nameravate da koristite sistem omekšivača vode. Prilikom dosipanja soli koristite levak. Pogledajte odeljak **Pre korišćenja**.



- 3 Vratite poklopac i čvrsto ga zavijte.
- 4 Pokrenite ciklus **Rinse (Ispiranje)** bez sudova.

Ciklus dopune soli (1 kg za svaku količinu sudova)

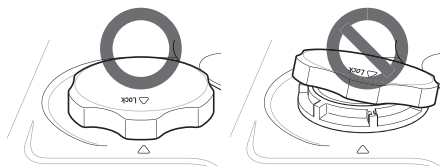
	H1	H2	H3	H4
Ciklusi	130	50	20	10

- Tabela opisuje informacije o programu **Auto (Automatski)**.
- Količina soli za dopunu može da varira u ciklusu.

! OPREZ

- Nemojte da sipate deterdžent u dozator soli. To će izazvati kvar.
- Obrišite prosutu so oko poklopca dozatora za so. Rastvor soli koji ističe može da dovede do korozije u komori za pranje i opterećenja mašine za pranje sudova.
- Pravilno zaptijte poklopac tako što ćete ga poravnati horizontalno i okrenuti u smeru kretanja kazaljki na satu. Labavo postavljen poklopac može da izazove curenje slanog rastvora iz dozatora soli natrag u komoru za pranje i da izazove koroziju.

- Nakon dopune soli za mašinu za pranje sudova potrebno je da se pokrene program pranja bez sudova, jer svaka količina prosute soli unutar uređaja može da izazove rđanje ili oštećenje uređaja ako ostane neopran.



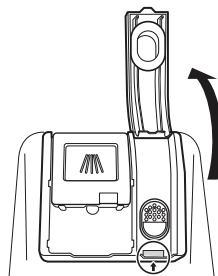
NAPOMENA

- So može da se kupi od distributera soli.

Dodavanje sredstva za ispiranje

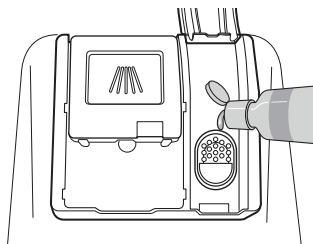
Indikator **Sredstvo za ispiranje** se pojavljuje na ekranu kada je potrebno više sredstva za ispiranje. Korišćenje sredstva za ispiranje preporučuje se da bi se sprečili tragovi vode na sudovima i da bi se poboljšao rezultat pranja.

- 1 Otvorite poklopac sredstva za ispiranje podizanjem krilca.



- 2 Dodajte tečno sredstvo za ispiranje do maksimalnog nivoa punjenja. Sredstvo za ispiranje treba da se slegne u dozatoru

prilikom punjenja; u suprotnom može doći do lošeg rezultata sušenja.



- 3** Zatvorite poklopac da zaključate dozator. Sredstvo za ispiranje se dozira automatski tokom konačnog ciklusa ispiranja.

⚠ OPREZ

- Obrišite prosuto sredstvo za ispiranje da sprečite sapunicu.

NAPOMENA

- U uređaju koristite isključivo tečno sredstvo za ispiranje.
- Nemojte prekomerno da puniti dozator sredstva za ispiranje.
- Prekomerna ili nedovoljna količina sredstva za ispiranje može da spreči rezultat sušenja.
- Ako sredstvo za ispiranje isteče iz dozatora, obrišite ga. U suprotnom, mogu se javiti prekomerna količina pene i mrlje u mašini za pranje sudova.

Podešavanje nivoa sredstva za ispiranje

Dozator ima pet nivoa podešavanja. Podrazumevani program je nivo 2 sredstva za ispiranje. To može da se proveri i izmeni korišćenjem dugmadi na kontrolnoj tabli.

- 1** Postarajte se da uređaj bude isključen.
- 2** Pritisnite **Napajanje** i **Dual Zone (Dvostruka zona)** istovremeno da proverite aktuelno podešavanje.

- 3** Pritisnite **Delay Start (Odloženo pokretanje)** da promenite podešavanje dozatora sredstva za ispiranje. Svakim pritiskom dugmeta podešavanje se menja za jedan korak od L0 (isključeno) do L4.

- 4** Kada se izabere željeno podešavanje dozatora sredstva za ispiranje, pritisnite **Start (Pokretanje)** da sačuvate.
- Napajanje se isključuje nakon što sačuvate.

⚠ OPREZ

- Ako poklopac sredstva za ispiranje nije pravilno zatvoren, velika količina sredstva za ispiranje oslobodiće se u kadu i izazvaće probleme po pitanju sposobnosti pranja.



NAPOMENA

- Ikonica **Dopuna sredstva za ispiranje** ✨ svetli kada je potrebno više sredstva za ispiranje.
- Ako primetite zamagljene tragove, pruge ili tragove vode na čašama nakon pranja, povećajte nivo podešavanja.
- Podešavanje previsokog nivoa komande može da izazove pojavu pene, koja može da izazove loš rezultat pranja.
- Ako je staklo zamazano ili se pena nalazi na dnu, smanjite nivo podešavanja.
- Podešavanje previše niskog nivoa kontrole sredstva za ispiranje može da izazove pojavu tačkica i prugica na posuđu i loš rezultat sušenja.

Pregled rada

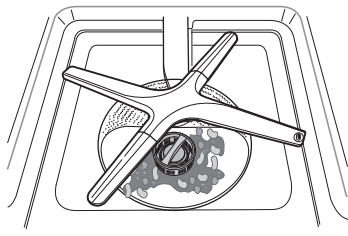
Korišćenje uređaja

- 1** Pritisnite dugme **Napajanje**.
- Jedinica se uključuje. Proverite indikatore.
- 2** Proverite da li su prisutni sredstvo za ispiranje i so mašine za pranje sudova.

- Dosipajte sredstvo za ispiranje i so, ako odgovarajuće ikonice svetle. Za više informacija pogledajte odeljak **Dopuna**.
-  : Ikonica Dopuna soli
-  : Ikonica Dopuna sredstva za ispiranje

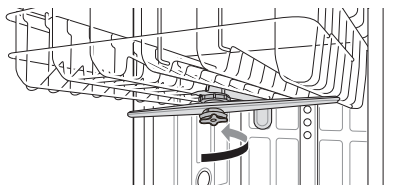
3 Otvorite vrata i proverite filtere.

- Uvek čistite filter nakon pranja ili pre pranja tako da se ne ugrozi rezultat pranja.



4 Postarajte se da prskalice mogu neometano da se okreću.

- Postarajte se da se gornja i donja prskalica dobro okreće. Uklonite ručku za prskanje i očistite je ako se ne okreće.



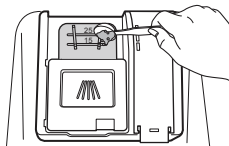
5 Ubacite posuđe na policu.

- Postarajte se da se posuđe i escajg ne nalaze na putanji prskalica.
- Nemojte da postavljate posuđe jednu preko druge.



6 Sipajte odgovarajuću količinu deterdženta u prahu u dozator.

- Ako koristite tablete, mogu jednostavno da se postave direktno na bazu komore za pranje ili u donjem delu unutrašnjih vrata.



7 Podesite i pokrenite program.

- Program se automatski pokreće za 4 sekunde nakon što se izabere bilo koje podešavanje.

⚠ UPOZORENJE

- Nemojte da ubacujete predmete na gornju policu kada se donja policica izvuče i napuni. Ako to ne učinite, može doći do povrede jer uređaj može da postane neizbalansiran i da se prevrne.
- Ugurajte gornju policu do kraja.
- Najpre ispraznite donju policu, a zatim gornju. Tako ćete izbeći kapanje vode sa gornje police na sudove koji se nalaze ispod.
- Nemojte da otvarate vrata tokom rada ili odmah nakon što se ciklus pranja završio jer para može da dovede do opekotina kada se vrata otvore.

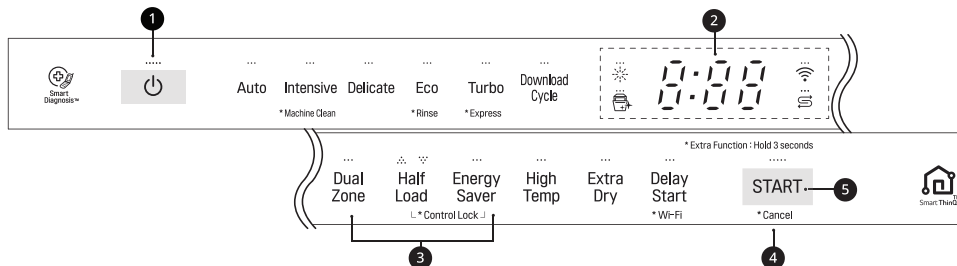
NAPOMENA

- Nikada nemojte da koristite tečni deterdžent za pranje posuđa u uređaju.
- Ne preporučuje se ručno ispiranje sudova pre korišćenja mašine za pranje sudova jer to dovodi do povećane potrošnje vode i energije.
- Pranje sudova u mašini za pranje sudova za domaćinstvo uobičajeno dovodi do manje potrošnje energije i vode u fazi korišćenja u odnosu na ručno pranje sudova kada se mašina za pranje sudova koristi u skladu sa uputstvima proizvođača.

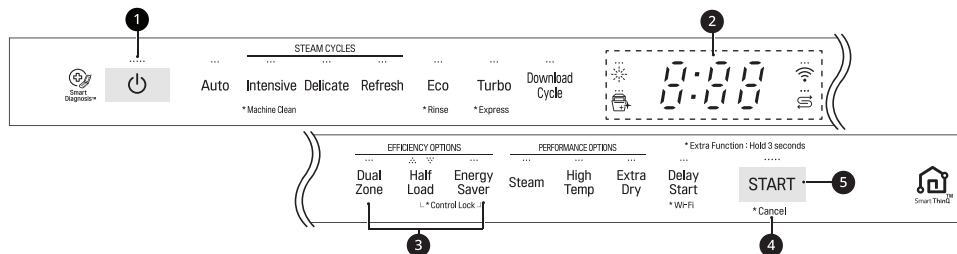
Kontrolna tabla

Funkcije kontrolne table

Za modele bez pare



Za modele sa parom



1 Napajanje

- Pritisnite dugme **Napajanje** da isključujete i uključujete napajanje.
- Nakon završetka ciklusa napajanje se automatski isključuje za svrhe bezbednosti i ekonomičnosti.
- Ako se javi prenapon, nestanak struje ili prekid bilo koje vrste, napajanje se automatski isključuje zbog bezbednosti.
- Kada se napajanje ponovo uspostavi, automatski se uključuje i ciklus se nastavlja.


2 Ekran

- **0:00 : Digitalni ekran**
 - Digitalni prikaz na kontrolnoj tabli prikazuje PROCENJENO vreme ciklusa. Kada se izaberu ciklus i opcije, ekran prikazuje ukupno procenjeno vreme koje je potrebno da se obave dati izbori. Tokom rada ekran prikazuje preostalo procenjeno vreme rada.
 - Procenjeno vreme prikazano na ekranu ne uključuje vremena odlaganja za vodu koja se zagreva itd.
 - Ako se izabere **Delay Start (Odloženo pokretanje)**, ekran prikazuje vreme odlaganja u satima.
 - Vreme ciklusa **Auto (Automatski)** može da varira u zavisnosti od nivoa zaprljanosti sudova koji se peru.
- ☀️ : **Ikonica Sredstvo za ispiranje**

- Ova ikonica treperi kada je nivo sredstva za ispiranje nizak. LED lampice se automatski isključuju kada se sredstvo za ispiranje dopuni ili je nivo podešen na 0.

-  : **Ikonica Čišćenje mašine**

- Ova ikonica treperi nakon svakih 30 ciklusa.
- Da biste aktivirali ili deaktivirali ikonicu, pritisnite dugme **Delicate (Osetljivo)** 3 sekunde.

-  : **Wi-Fi**

- Kada se uređaj poveže sa internetom preko kućne Wi-Fi mreže, ova ikonica svetli.

-  : **Ikonica Dopuna soli**

- Ova ikonica treperi kada je nivo soli nizak. LED lampice se automatski isključuju kada se so dopuni.

3 Uključivanje/isključivanje zvučne signalizacije

- Da biste aktivirali ili deaktivirali zvučnu signalizaciju dugmadi, pritisnite i zadržite **Dual Zone (Dvostruka zona)** i **Energy Saver (Ušteda energije)** istovremeno 3 sekunde. Zvuk upozorenja zbog greške ne može da se isključi.

4 Cancel (Otkazi)

- Odvodna pumpa se aktivira i ciklus se otkazuje. Kada uređaj završi sušenje, napajanje se isključuje.
- Pritisnite i zadržite dugme **Start (Pokretanje)** 3 sekunde da aktivirate funkciju otkazivanja.

5 Start (Pokretanje)

- Da biste upravljali uređajem, zatvorite vrata i pritisnite dugme **Start (Pokretanje)**.
- Ako se dugme **Start (Pokretanje)** ne pritisne za pokretanje ciklusa u roku od 4 minut, napajanje se automatski isključuje.

Ciklusi pranja

Auto (Automatski)

Ovaj ciklus registruje količinu zaprljanosti i čistoću vode i optimizuje pranje da bi se postiglo najbolje čišćenje. Vreme pranja može da varira u zavisnosti od nivoa zaprljanosti.

Intensive (Intenzivno)

Ovaj ciklus je namenjen za veoma zaprljano posuđe i posude sa stvrdnutim mrljama. Ovaj ciklus koristi podrazumevano podešen najveći intenzitet prskanja i koristi ga za pranje veoma zaprljanih posuda.

Delicate (Osetljivo)

Koristite ovaj ciklus za pranje osetljivih predmeta kao što su delikatan porcelan i čaše sa postoljem.

Refresh (Osvežavanje)

Ovaj ciklus osvežava i greje posuđe koje se dugo nije koristilo.

- Nemojte da koristite deterdžent kada koristite ovaj ciklus.

Eco

Obezbeđuje najefikasniju upotrebu energije i vode za dobar rezultat pranja i rezultate sušenja kod normalno zaprljanog posuđa i troši malu količinu energije.

Turbo

Ovaj ciklus čisti umereno zaprljano posuđe korišćenjem malo veće količine energije i vode.

- **Extra Dry (Ekstra suvo)** podrazumevano se podešava na uključeno. Ako ne želite da sušite posuđe nakon pranja, isključite opciju **Extra Dry (Ekstra suvo)**. Odsustvo sušenja posuđa dovodi do kraćeg trajanja ciklusa.

Download Cycle (Preuzimanje ciklusa)

Koristite predviđeni ciklus koji može da se preuzme putem Wi-Fi ili NFC. (u zavisnosti od modela).

NAPOMENA

- Samo šifra ciklusa za ciklus koji je trenutno preuzet pojavljuje se na uređaju. Pogledajte aplikaciju na pametnom telefonu za šifre, nazive aplikacija i još informacija o dostupnim ciklusima.
 - Podrazumevani ciklus: P1. Šerpe i tiganji

Machine Clean (Čišćenje mašine)

Ovaj ciklus je namenjen za čišćenje unutrašnjosti uređaja. Koristite ovaj ciklus kada u uređaju nema posuđa. Uklanja ostatke zaprljanosti, neprijatni miris, bele tačkice, kamenac i druge nečistoće. Dodajte limunsku kiselinu ili drugo sredstvo za čišćenje za efikasnije rezultate.

- Pritisnite i držite **Intensive (Intenzivno)** 3 sekunde da biste aktivirali.

Rinse (Ispiranje)

Ovaj ciklus je namenjen samo za ispiranje sudova koji ne mogu da se operu odmah. Ciklus ispira posude koje imaju prekomernu količinu zaprljanosti da bi se omekšali sasušeni tragovi.

- Pritisnite i držite **Eco** 3 sekunde da biste aktivirali.

NAPOMENA

- Nemojte da koristite deterdžent sa ovom opcijom.
- Ciklus nema sušenje.

Express (Ekspresno)

Ovaj ciklus brzi pere blago zaprljano posuđe.

- Pritisnite i držite **Turbo** 3 sekunde da biste aktivirali.

NAPOMENA

- Ovaj ciklus nema sušenje. Izaberite opciju **Extra Dry (Ekstra suvo)** ili drugi ciklus za bolje sušenje. **Extra Dry (Ekstra suvo)** se dodaje na celokupno trajanje ciklusa.
- Deterdžent u obliku tableta ne preporučuje se za korišćenje u ciklusu **Express (Ekspresno)**. Ako se koristi deterdžent u obliku tableta, to može da izazove pojavu tragova deterdženta na sudovima zbog relativno niske temperature ispiranja.

Opcije i dodatne funkcije



Izaberite dugme željenog ciklusa, a zatim izaberite opcije za dati ciklus. Za više informacija pogledate odeljak **Vodič za cikluse/opcije**.

Dual Zone (Dvostruka zona)

Ova opcija automatski podešava intenzitet prskanja na blago prskanje za gornju prskalicu i snažno za donju prskalicu. Postavite veoma zaprljane posude poput tanjira i činija na donju policu, a blago zaprljane posude poput šolja i malih tanjira na gornju policu da dobijete najbolje rezultate.

Half Load (Polovina kapaciteta)

Ova opcija intenzivno pere biranjem gornjih ili donjih polica. Za male količine posuđa koristite samo gornju ili donju policu da uštedite energiju i

vreme. Pritiskom dugmeta **Half Load (Polovina kapaciteta)** dostupna su podešavanja  (Gornja),  (Donja) i otkazivanje ove opcije.

Energy Saver (Ušteda energije)

Ova opcija štedi energiju smanjenjem temperatura pranja i ispiranja. Vreme pranja se povećava da bi se održao rezultat pranja. Nemojte da koristite ovaj ciklus kod veoma zaprljanog posuđa.

Steam (Para)

Ova opcija dodaje paru tokom ciklusa da bi se poboljšao rezultat pranja.

High Temp (Visoka temperatura)

Povećava temperaturu glavnog pranja ili zagrevanja pri ispiranju da bi se poboljšalo pranje.

- Zvučna signalizacija se oglašava da vas upozori na zaostalu temperaturu u uređaju. Sačekajte da se uređaj u potpunosti ohladi pre otvaranja vrata.

Extra Dry (Ekstra suvo)

Izaberite ovu opciju za bolji rezultat sušenja. Ova opcija dodaje vreme sušenja ciklusu i povećava temperaturu zagrevanja pri ispiranju.

- Kada nema sredstva za ispiranje, opcija se bira automatski.

Delay Start (Odloženo pokretanje)


Ova funkcija odlaže početak izabranog ciklusa. Svaki put kada se pritisne dugme **Delay Start (Odloženo pokretanje)**, vreme odlaganja se produžava za sat. Vreme odlaganja može da se podesi od 1 na 12 sati, uz povećanja za jedan sat.

- Da biste otkazali ovu funkciju, isključite napajanje.

- Da biste promenili ciklus i opciju ciklusa, otvorite vrata i zatim izaberite drugi ciklus i opciju ciklusa. Odbrojanje se nastavlja.

Control Lock (Zaključavanje kontrola)

Ova funkcija pomaže da se spreči da se podešavanja promene tokom ciklusa. Biranjem ove funkcije zaključava se preostala dugmad, izuzev dugmeta **Napajanje** na kontrolnoj tabli. Ova funkcija ne zaključava vrata.

- Kod modela sa spoljašnjim ekranom, dok je ciklus pokrenut, pritisnite istovremeno i zadržite **Half Load (Polovina kapaciteta)** i **Energy Saver (Ušteda energije)** 3 sekunde da aktivirate ili deaktivirate ovu funkciju. Kod modela sa skrivenim ekranom otvorite vrata tokom rada i pratite isto uputstvo.
- Kada se ova funkcija aktivira, oznaka  se prikazuje na ekranu.
- Da biste pokrenuli novi ciklus, deaktivirajte ovu funkciju.
- Ova funkcija može da se podesi u bilo kom trenutku uključivanjem uređaja.

Wi-Fi

Pritisnite i zadržite **Delay Start (Odloženo pokretanje)** 3 sekunde da povežete sa mrežom. Pogledajte odeljke **PAMETNE FUNKCIJE** za detaljne informacije o toj funkciji.

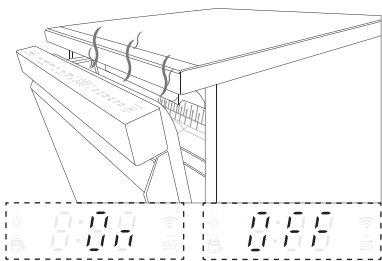
Sušenje sa automatskim otvaranjem

Ta funkcija može da varira u zavisnosti od kupljenog modela.

Vrata se otvaraju automatski na kraju programa koji uključuje sušenje da bi se poboljšao rezultat sušenja.

- Da biste aktivirali ili deaktivirali ovu funkciju, pritisnite istovremeno i zadržite dugme **Energy Saver (Ušteda energije)** button i dugme **High Temp (Visoka temperatura)** 3 sekunde.

- Ova funkcija nije dostupna kada se izabere ciklus **Machine Clean (Čišćenje mašine)** i **Rinse (Ispiranje)**.
- Kada izaberete **Download Cycle (Preuzimanje ciklusa)**, ova funkcija može da radi čak i kada se funkcija deaktivira. Pošto je funkcija **Download Cycle (Preuzimanje ciklusa)** osmišljena za postizanje najboljeg rezultata u određenoj svrsi bez obzira na podešavanja uređaja.
- Ekran prikazuje da li je ova funkcija uključena ili isključena.



Zelena (desno)

Zelena lampica se uključuje kada se ciklus završi. Kada se vrata otvore, lampica se isključuje.

- Ako uređaj ne registruje da su vrata otvorena, lampica se isključuje nakon 90 sekundi.

⚠ UPOZORENJE

- Držite decu podalje od uređaja dok je uređaj uključen. Izlaganje pari visoke temperature može da izazove da se korisnik opari ili opeče.

SignalLight™

Ta funkcija može da varira u zavisnosti od kupljenog modela.

SignalLight™ prikazuje status uređaja, da li je naišao na probleme, da li normalno radi ili da li je spreman za pranje sudova.

- U zavisnosti od modela, lampica može da se nalazi na prednjoj strani uređaja ili na vrhu vrata.

Crveno (levo)

Crvena lampica treperi kada se na uređaju javi greška. Za više informacija o grešci pogledajte deo **Šifra greške** odeljka **REŠAVANJE PROBLEMA**.

Bela (sredina)

Bela lampica treperi kada izaberete opciju ciklusa ili kada je ciklus pauziran.

- Bela lampica se uključuje kada je ciklus pokrenut.

Tabela programa

Vodič za programe

Kod modela DF425***

Program	Nivo zaprljano sti	Pranje		Rinse (Ispiranje)		Sušenje
		Pre-wash (Pretpri nje)	Glavno pranje	Rinse (Ispiranje)	Ispiranje sa zagrevanjem	
Auto (Automat ski)	Svi nivoi	●	● (65 - 70 °C)	●	● (62 °C) ^{*1} (70 °C) ^{*2}	●
Intensive (Intenziv no)	Veoma	●	● (75 °C)	●	● (62 °C) ^{*1} (70 °C) ^{*2}	●
Delicate (Osetljivo)	Blago	●	● (55 °C)	●	● (62 °C) ^{*1} (70 °C) ^{*2}	●
Refresh (Osvežav anje)^{*1}		●		●	● (62 °C) ^{*1} (75 °C) ^{*2}	●
Eco	Umereno	●	● (46 °C) ^{*1} (42 °C) ^{*2}	●	● (54 °C) ^{*1} (64 °C) ^{*2}	●
Turbo	Umereno	●	● (65 °C)	●	● (62 °C) ^{*1} (65 °C) ^{*2}	
Express (Ekspresn o)	Blago	●	● (45 °C)	●	● (62 °C) ^{*1} (60 °C) ^{*2}	
Rinse (Ispiranje)	Blago			●		
Machine Clean (Čišćenje mašine)		●	● (50 °C)	●	● (70 °C)	●

*1 Funkcija sušenja sa automatskim otvaranjem je uključena.

*2 Funkcija sušenja sa automatskim otvaranjem je isključena.

NAPOMENA

- Vreme rada može da se razlikuje u zavisnosti od temperature vode, ambijentalne temperature, pritiska vode i napona.
 - Informacije o vrednostima datim za programe osim eko programa su samo indikativne.
 - Kada se aktivira funkcija **Sušenje sa automatskim otvaranjem**, temperatura ispiranja sa zagrevanjem može da se razlikuje.
-

Kod modela DF325*** / DF325**

Program	Nivo zaprljanosti	Pranje		Rinse (Ispiranje)		Sušenje
		Pre-wash (Prepranje)	Glavno pranje	Rinse (Ispiranje)	Ispiranje sa zagrevanjem	
Auto (Automatski)	Svi nivoi	●	● (65 - 70 °C)	●	● (70 °C)	●
Intensive (Intenzivno)	Veoma	●	● (75 °C)	●	● (70 °C)	●
Delicate (Osetljivo)	Blago	●	● (55 °C)	●	● (70 °C)	●
Refresh (Osvežavanje)*1		●		●	● (75 °C)	●
Eco	Umereno	●	● (42 °C)	●	● (64 °C)	●
Turbo	Umereno	●	● (65 °C)	●	● (65 °C)	
Express (Ekspresno)	Blago	●	● (45 °C)	●	● (60 °C)	
Rinse (Ispiranje)	Blago			●		
Machine Clean (Čišćenje mašine)		●	● (50 °C)	●	● (70 °C)	●

*1 Za modele sa parom

NAPOMENA

- Vreme rada može da se razlikuje u zavisnosti od temperature vode, ambijentalne temperature, pritiska vode i napona.
- Informacije o vrednostima datim za programe osim eko programa su samo indikativne.

Propis za Evropu (kod modela DF425***)

Program	Potrošnja vode *1	Potrošnja energije (kWh) *1	Trajanje (min) *1
Auto (Automatski)	12,9	0,91 - 0,97	162
Intensive (Intenzivno)	23,1	1,60	185
Delicate (Osetljivo)	16,5	1,07	124
Eco	9,5	0,85	193
Refresh (Osvežavanje)	10,0	0,76	120
Turbo	18,5	0,84	78
Express (Ekspresno)	9,6	0,58	56
Rinse (Ispiranje)	6,6	0,01	18
Machine Clean (Čišćenje mašine)	12	0,78	83

*1 Funkcija sušenja sa automatskim otvaranjem je uključena.

NAPOMENA

- Navedeni podaci se razlikuju u zavisnosti od pojedinačnih uslova.

Propis za Evropu (kod modela DF325*** / DF325**)

Program	Potrošnja vode	Potrošnja energije (kWh)	Trajanje (min)
Auto (Automatski)	13,1	1,08 - 1,17	195
Intensive (Intenzivno)	23,9	1,76	185
Delicate (Osetljivo)	16,8	1,14	124
Eco	9,5	0,95	228
Refresh (Osvežavanje)*1	9,8	0,78	66
Turbo	18,8	0,87	59
Express (Ekspresno)	12,4	0,61	38
Rinse (Ispiranje)	6,5	0,01	18
Machine Clean (Čišćenje mašine)	12,1	0,75	83

*1 Za modele sa parom

NAPOMENA

- Navedeni podaci se razlikuju u zavisnosti od pojedinačnih uslova.

NAPOMENA

- Uredba EU 2019/2022, koja važi od 1. marta 2021, povezana je sa klasama energetske efikasnosti iz Uredbe EU 2019/2017.
- Skenirajte QR kod na etiketi energetske učinkovitosti na uređaju na kojoj se nalazi link za informacije koje se odnose na performanse uređaja u bazi podataka EU EPREL. Čuvajte etiketu energetske učinkovitosti za reference zajedno sa priručnikom i svim ostalim dokumentima dostavljenim uz uređaj.
- Naziv modela može se pronaći na etiketi sa podacima o uređaju. Otvorite vrata i pogledajte sa desne strane vrata.
- Da biste pronašli iste informacije na veb-sajtu EPREL, posetite <https://eprel.ec.europa.eu> i pretražite koristeći naziv modela. (Važi od 1. marta 2021.)

Dostupne opcije

NAPOMENA

- Opcija **Energy Saver (Ušteda energije)** nije dostupna sa opcijom **High Temp (Visoka temperatura)** ili **Extra Dry (Ekstra suvo)**.
- Opcija **Delay Start (Odloženo pokretanje)** može da se izabere za svaki program pranja u ovoj tabeli.

Za modele bez pare

Program	Dual Zone (Dvostruka zona)	Half Load (Polovina kapaciteta)	Energy Saver (Ušteda energije)	High Temp (Visoka temperatura)	Extra Dry (Ekstra suvo)
Auto (Automatski)	●	●	●	●	●
Intensive (Intenzivno)	●	●		●	●
Delicate (Osetljivo)		●	●		●
Eco	●	●	●	●	●
Turbo	●			●	●
Express (Ekspresno)	●			●	●
Rinse (Ispiranje)					
Machine Clean (Čišćenje mašine)					
Download Cycle (Preuzimanje ciklusa)					

Za modele sa parom

Program	Dual Zone (Dvostruka zona)	Half Load (Polovina kapaciteta)	Energy Saver (Ušteda energije)	Steam (Para)	High Temp (Visoka temperatu ra)	Extra Dry (Ekstra suvo)
Auto (Automats ki)	●	●	●	●	●	●
Intensive (Intenzivno)	●	●		●	●	●
Delicate (Osetljivo)		●	●	●		●
Refresh (Osvežavan je)				●		●
Eco	●	●	●	●	●	●
Turbo	●			●	●	●
Express (Ekspresno)	●				●	●
Rinse (Ispiranje)						
Machine Clean (Čišćenje mašine)						
Download Cycle (Preuziman je ciklusa)						

Informacije za test

Za modele sa funkcijom sušenja sa automatskim otvaranjem

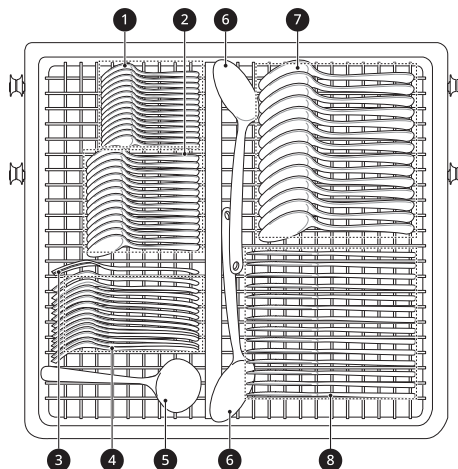
- Kapacitet: podešavanje 14 mesta
- Program uporedivosti: **Eco**
- Podešavanje sredstva za ispiranje: L4
- Referentno sredstvo za čišćenje: 22 g deterdženta u dozator unutra.
- U-položaj na polici uz mogućnost podešavanja visine: sredina
- Podešavanje **sušenja sa automatskim otvaranjem**: uključena
- Tip filtera: Ručni

Za modele bez funkcije sušenja sa automatskim otvaranjem

- Kapacitet: podešavanje 14 mesta
- Program uporedivosti: **Eco**
- Podešavanje sredstva za ispiranje: L4
- Referentno sredstvo za čišćenje: 22 g deterdženta u dozator unutra.
- U-položaj na polici uz mogućnost podešavanja visine: sredina
- Tip filtera: Ručni

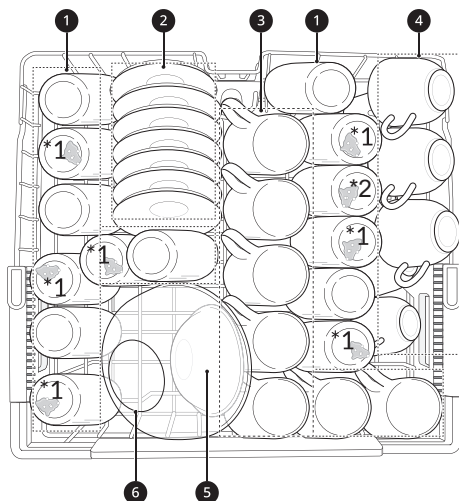
Ubacivanje sudova

Korpa za escajg



- 1 Kašičice (bez zaprljanosti)
- 2 Kašičice za desert (bez zaprljanosti)
- 3 Viljuška za posluživanje (bez zaprljanosti)
- 4 Viljuške (jaja)
- 5 Manja kutlača (bez zaprljanosti)
- 6 Kašika za posluživanje (bez zaprljanosti)
- 7 Supene kašike (ovsene pahuljice)
 - Svaka 2. supena kašika je zaprljana.
- 8 Noževi (bez zaprljanosti)

Gornja polica



1 Čaše (mleko)

*1 Nalazi se 7 čaša zaprljanih mlekom.

*2 Čaše od mleka za EN60704-2-3:2020

2 Tacne od šolja (crni čaj)

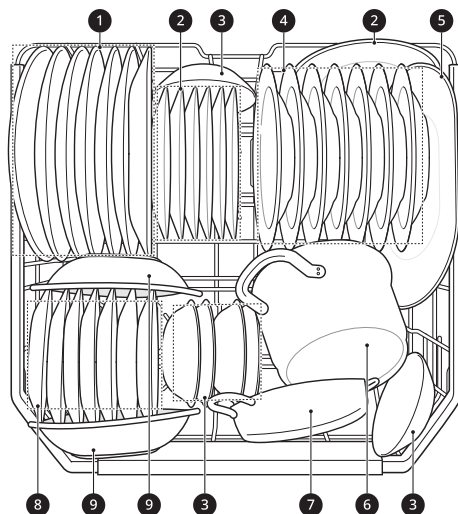
3 Velike šolje (crni čaj)

4 Šoljice (crni čaj)

5 Posuda za desert (ovsene pahuljice)

6 Staklena posuda (meso)

Donja polica



1 Plitki tanjiri (jaja)

2 Melamin tanjiri za desert (jaje)

3 Posude za desert (ovsene pahuljice)

4 Duboki tanjiri (ovsene pahuljice)

5 Ovalni tanjir (meso)

6 Mala šerpa (spanać + margarin)

7 Šerpa za rernu (meso)

8 Tanjiri za desert (spanać)

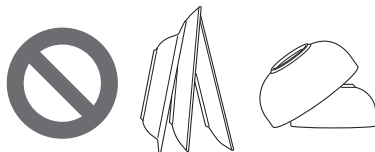
9 Melamin posude (margarin)

Punjenje mašine za pranje sudova

Za efikasne rezultate pranja, uvek se pridržavajte uputstava.

- Uklonite velike ostatke hrane sa tanjira uključujući kosti itd. pre ubacivanja. Uvek isperite tanjire prilikom ubacivanja ako se neće prati odmah.
- Predmeti sa zagorelim ostacima hrane treba da se potope pre ubacivanja u mašinu za pranje sudova.
- Duboke posude treba da se postave izvrnute.

- Plastični predmeti se ne suše dobro u poređenju sa drugim predmetima.
- Proverite da li se posuđe ne dodiruje.



Predmeti koji nisu podobni za pranje u mašini za pranje sudova

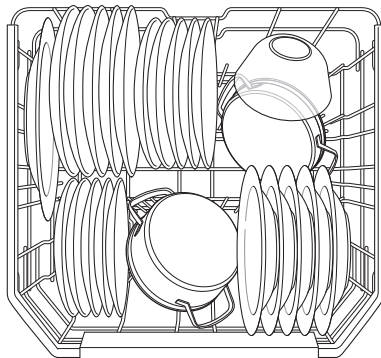
Kombinacija visoke temperature vode i deterdženata u mašini za pranje sudova može da ošteti određene predmete. Nemojte da perete sledeće predmete.

- Bakar ili anodizovani aluminijum
- Ručno oslikano zemljano posuđe srebrnim ili zlatnim listovima
- Pribor sa drškom od drveta ili kostiju
- Pribor od gvožđa ili materijala koji nije nerđajući
- Plastični predmeti koji nisu bezbedni za uređaj
- Skupo posuđe poput srebra i posuđa sa zlatnim obodom
- Lomljivi predmeti poput kristalnih čaša

⚠ OPREZ

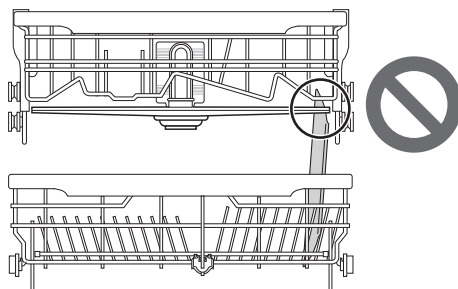
- Nemojte da postavljate šerpe ili tiganje sa plastičnim ručkama u uređaj jer ručke mogu da propadnu usled toplote i deterdženta.
- Razmazani tragovi vodootpornog ili dugotrajnog karmina ne mogu da se uklone tokom pranja.

Da bi ubacivanje većih posuda bilo lakše, prednji red zubaca može da se sklopi.



⚠ OPREZ

- Prskalice ne smeju biti blokirane predmetima koji su previsoki ili koji vise kroz korpe. Testirajte slobodno pomeranje ručnim rotiranjem prskalice.



Punjenje donje police

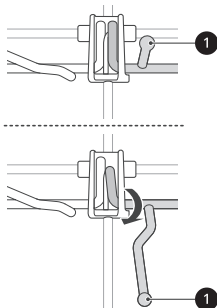
Količina za dnevnu upotrebu

Donja polica je prikladna za plitke tanjire, duboke tanjire, šerpe, tiganje, poklopca, pa čak i rešetke za roštiljanje.

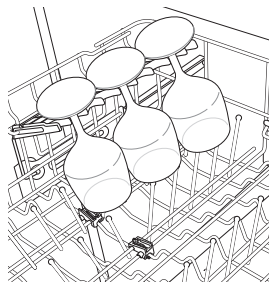
Tanjiri treba da se postave u uspravnom položaju okrenuti ka centru police, a šerpe, tiganji i velike posude moraju da se izvrtu.

Sklapanje zubaca police

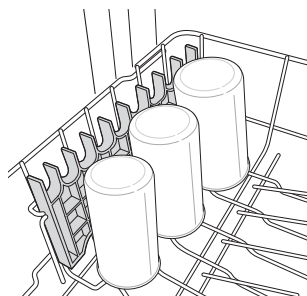
Sklopite zupce da bi se smestile veće posude; povucite zupce opet gore da smestite manje posude.



Police za šoljice omogućavaju oslonac za čaše sa dugom osnovom.



Levi red zubaca može da se sklopi nadole ili se police za šoljice mogu sklopiti nagore tako da ne smetaju visokim predmetima iz servisa.

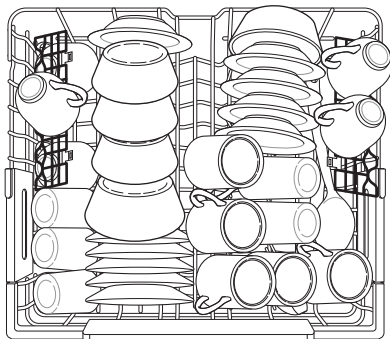


Ubacivanje gornje police

Količina za dnevnu upotrebu

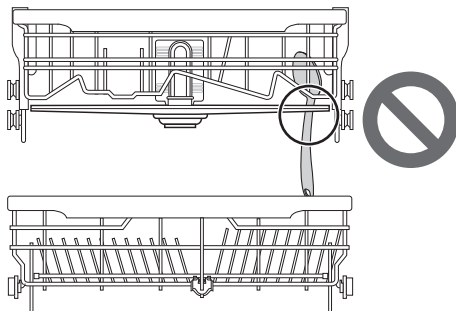
Gornja polica je pogodna za osetljive predmete, kao što su mali tanjiri, dug pribor, šoljice, čaše i plastični predmeti koji smeju da se peru u mašini. Šoljice, čaše i posude moraju da se postavu u obrnutom položaju.

Tanjire treba postaviti nagore.



⚠ OPREZ

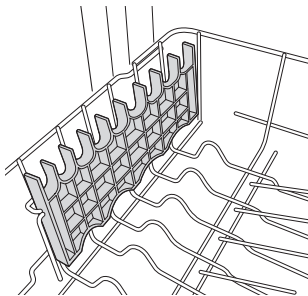
- Prskalica ne smeju biti blokirane predmetima koji su previsoki ili koji vise kroz korpe. Testirajte slobodno pomeranje ručnim rotiranjem prskalice.



Uklanjanje i ponovno postavljanje polica za šoljice

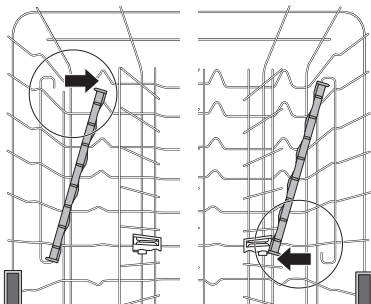
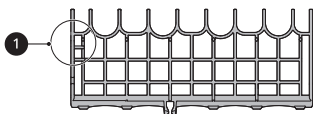
Leva i desna polica za šoljice se mogu razmenjivati i mogu se ukloniti.

- 1 Pomerite policu za šoljice nadole do njenog zatvorenog položaja.

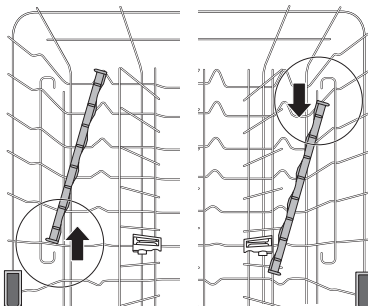


- 2 Pronađite ležište za sklapanje ❶ na polici za šoljice i čvrsto izbacite policu sa nosača na toj strani.

- Polica na levoj strani se oslobađa na zadnjoj strani. Polica na desnoj strani se oslobađa na prednjoj strani.



- 3 Pomerite policu za šoljice sa nosača na suprotnoj strani.

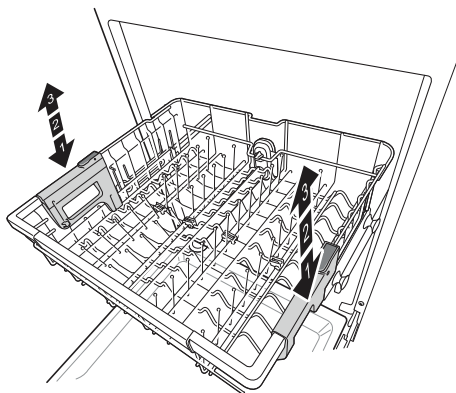


- 4 Pratite uputstva obrnutim redosledom da biste vratili policu za šoljice.

Gornja polica sa mogućnošću podešavanje visine

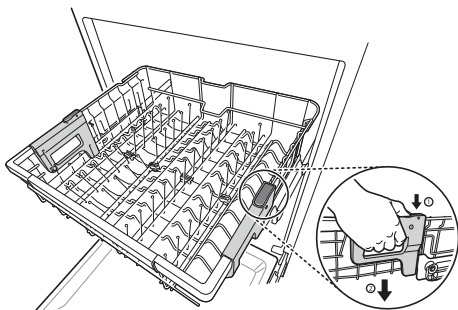
Visina gornje police može se podesiti kada ubacite čaše sa dugim podnožjem ili visoke servise.

Postoje tri dostupna položaja za podešavanje visine gornje police da bi se dobilo više prostora.



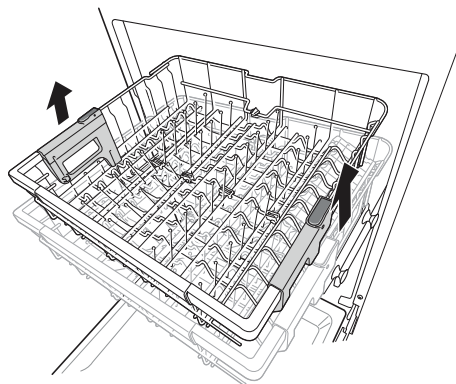
Spuštanje police

Držite policu na centru obe strane da biste oslonili njenu težinu. Zatim, pritisnite dugme na obe strane da biste otpustili policu i spustili je u donji položaj.



Podizanje police

Podignite policu na centru na obe strane dok se polica ne zaključa u gornjem položaju. nije potrebno podići ručice za zaključavanje da biste podigli policu.



Moguće veličine tanjira u skladu sa položajem gornje police

Položaj gornje police	Veličina tanjira (mm)		
	Gornja polica		Donja polica
	saolicom za pribor	bez police za pribor	
Gornji položaj	165	215	300

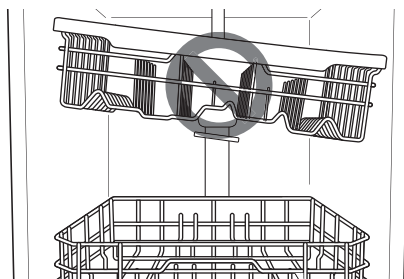
Položaj gornje police	Veličina tanjira (mm)		
	Gornja polica		Donja polica
	saolicom za pribor	bez police za pribor	
Srednji položaj	193	243	272
Spuštanje	221	271	244

⚠ UPOZORENJE

- Pre podešavanja, uverite se da na policama nema posuđa. U suprotnom, može doći do oštećenja posuđa i povrede.

NAPOMENA

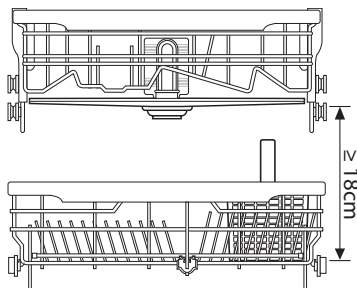
- Podignite gornju policu bez pritiskanja dugmadi na obe strane. Pritiskanje dugmadi prilikom podizanja police sprečiće zaključavanje police u položaju.
- Da biste postavili policu u srednjem položaju, možda je lakše spustiti policu skroz do dole, zatim podići obe strane police pojedinačno dok ne kliknu u položaju.



- Postiže se povećanje visine od 56 mm kada se gornja polica pomeri u niži položaj.
- Nakon podešavanja nivoa police, proverite da li se prskalice slobodno rotiraju.
- Dok se gornja polica nalazi u donjem položaju, proverite da li donji deo gornje police, zajedno sa prskalicom, ne ometa predmete na donjoj polici.
- Dok je gornja polica u donjem položaju, gurnite prvo gornju policu, a zatim i donju policu.

- Prvo izvucite donju policu, a zatim gornju policu.
- Kada je gornja policu u donjem položaju, moguća visina posuđa se razlikuje kod modela opremljenih policom za pribor.

- Pribor ne treba da bude duži od 18 cm.

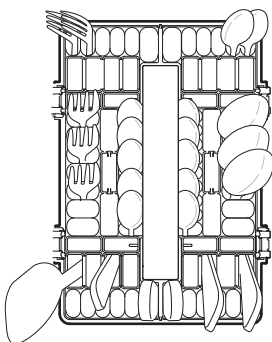


Ubacivanje korpe za pribor

Količina za dnevnu upotrebu

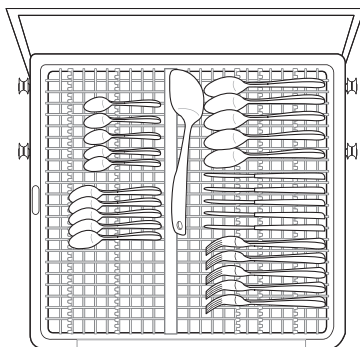
U slučaju velikog pribora, kao što su mutilice, poklopac se može otvoriti putem šarki.

Stavite viljuške i kašike u korpu za pribor tako da njihove drške budu usmerene nadole.



Punjenje police za pribor

Polica za pribor je najbolje opremljena za pribor za jelo i većinu pribora za pripremu i služenje hrane. Takođe može da primi male posude i poklopce za pripremanje hrane. Separatori na polici za pribor pomažu u razdvajanju pribora da bi se izbeglo oštećenje i poboljšalo čišćenje.

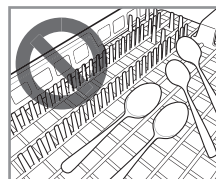
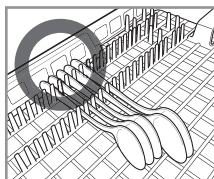


⚠ UPOZORENJE

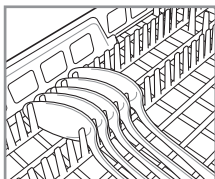
- U cilju sprečavanja povreda, stavite noževe i drugi pribor sa oštrim vrhovima u korpu za pribor.
- Ako želite da ih ubacite u korpu za pribor, stavite ih tako da oštre ivice budu usmerene nadole.

⚠ OPREZ

- Nemojte da ometate rotiranje prskalica.

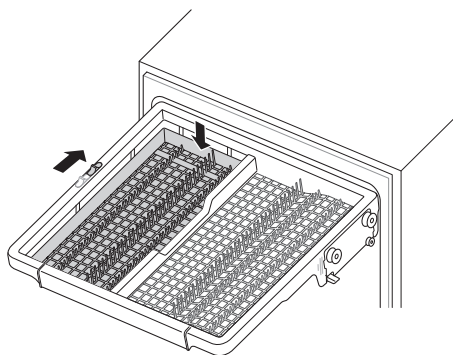


Ako su ručke na priboru previše debele, obrnite pribor tako da ručke budu usmerene u drugom smeru.



Tacna sa podesivom visinom

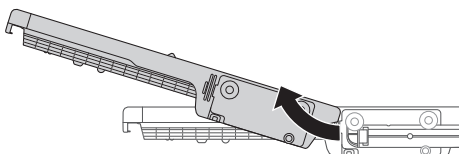
Tacna na levoj strani može da se podesi na visoki ili niski položaj tako da može da primi pribor različite veličine. Izvadite posuđe pre podešavanja tacne. Podesite tacnu tako što ćete pomerati ručicu.



Uklanjanje police za pribor

Celokupna polica za pribor može da se ukloni ako je potrebno još prostora na gornjoj polici za veće predmete.

Uvek izvadite pribor sa police pre uklanjanja police. Izvucite policu do kraja šina. Zatim podignite prednju stranu police tako da valjci preskoče graničnik na kraju šine. Polica se sada može pomeriti unapred i ukloniti sa šina.



⚠ UPOZORENJE

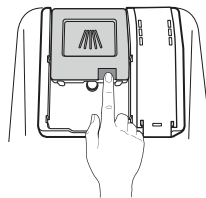
- Budite oprezni prilikom ubacivanja i izbacivanja predmeta sa oštrim ivicama. Oštre noževe ubacujte tako da sečivo bude usmereno nadole da biste smanjili rizik od povrede.

Dodavanje sredstava za čišćenje

Dodavanje deterdženta u dozator

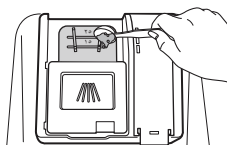
- Uklonite etiketu sa dozatora pre prvog pokretanja uređaja.
- Potrebna količina deterdženta zavisi od ciklusa, količine posuđa i nivoa zaprljanosti posuđa.
- Sipajte deterdžent u odeljak za deterdžent pre pokretanja ciklusa, osim u slučaju ciklusa **Rinse (Ispiranje)**.

- 1 Pritisnite dugme na poklopcu dozatora da biste otvorili poklopac.

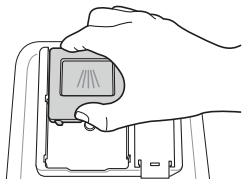


- 2 Dodajte deterdžent za pranje sudova u glavni odeljak za pranje sve dok nivo ne bude između linija 15 i 25.

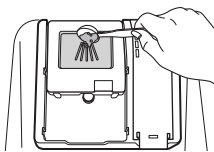
- Napunite preko linije 25 za tvrdu vodu ili veoma zaprljano posuđe.
- Napunite do linije 15 za meku vodu ili blago zaprljano posuđe.



- 3** Pritisnite poklopac deterdženta da biste pomerili i zatvorili poklopac koji će kliknuti.



- 4** Ako želite pretpranje, napunite udubljeni odeljak za pretpranje na poklopcu deterdžentom.



Program	Količina deterdženta
	Main wash (Glavno pranje) (dozator)
Auto (Automatski)	20 g
Intensive (Intenzivno)	20 g
Delicate (Osetljivo)	20 g
Refresh (Osvežavanje)	-
Eco	22 g
Turbo	20 g
Download Cycle (Preuzimanje ciklusa)	20 g
Machine Clean (Čišćenje mašine)	20 g
Rinse (Ispiranje)	-
Express (Ekspresno)	20 g

⚠ UPOZORENJE

- Deterdžent za mašinu za pranje posuđa i sredstvo za ispiranje sadrže hemijske komponente, kao i dva druga deterdženti za domaćinstvo. Stoga se moraju čuvati van domašaja dece.

⚠ OPREZ

- Koristite isključivo one deterdžente koji su predviđeni za mašine za pranje posuđa. Neodgovarajući deterdžent može dovesti do punjenja uređaja penom tokom rada. Prekomerna pena može smanjiti rezultat pranja i dovesti do curenja proizvoda.
- Da biste izbegli oštećivanje proizvoda, nemojte da povlačite dozator tako da se zatvore vrata uređaja.



- Korišćenje neprikladnog deterdženta i sredstva za ispiranje može dovesti do rizika od oštećenja, korozije, loših rezultata pranja, lošeg sušenja ili curenja.
- Koristite samo onaj deterdžent i sredstvo za ispiranje koji su kvalifikovani standardom. Korišćenje nekvalifikovanog deterdženta i sredstva za ispiranje može dovesti do rizika od oštećenja, korozije, loših rezultata pranja, lošeg sušenja i curenja.
- Ako se koristi prevelika količina deterdženta, može doći do stvaranja prekomerne količine pene. To može da dovede do curenja pene i mrlja na sudovima u mašini za pranje sudova.

NAPOMENA

- Previše deterdženta može ostaviti sloj na posuđu i u komori za pranje, što dovodi do lošeg rezultata pranja.
- Nakon pranja proverite da li je deterdžent u potpunosti ispran.

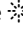
NAPOMENA

- Neke tablete deterdženta za uređaj mogu se zaglaviti u dozatoru zbog prekomerne veličine. Tablete se mogu staviti na dno komore za pranje pored filtera pre pokretanja ciklusa.
- Nikada nemojte da koristite tečni deterdžent za pranje posuđa u uređaju.
- Deterdžent u obliku tableta ne preporučuje se za korišćenje u ciklusu **Express (Ekspresno)**. Ako se koristi deterdžent u obliku tableta, to može da izazove pojavu tragova deterdženta na sudovima zbog relativno niske temperature ispiranja.

Punjenje

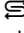
Da biste održali efikasan rezultat sušenja, redovno proveravajte i dopunjavajte sredstvo za ispiranje. Da biste održali efikasan rezultat pranja kod uređaja, redovno proveravajte i dopunjavajte so za mašinu za pranje posuđa.

Provera sredstva za ispiranje

Kada zasvetli ikonica za dopunu sredstva za ispiranje , to znači da je sredstvo za ispiranje skoro prazno. Ako je potrebno, dopunite komoru za sredstvo za ispiranje.

Provera soli za mašinu za pranje posuđa

Nakon dopune soli za mašinu za pranje sudova potrebno je da se pokrene program pranja bez sudova, jer svaka količina prosute soli unutar uređaja može da izazove rđanje ili oštećenje uređaja ako ostane neopran.

Kada zasvetli ikonica za dopunu soli , to znači da je so skoro prazna. Ako je potrebno, dopunite komoru za so.

OPREZ

- Nemojte da dodajete deterdžent niti bilo koji drugi rastvor u kućište za omekšivač za vodu

osim soli za mašinu za pranje posuđa. Time ćete izazvati kvar sistema za omekšavanje vode.

Korisni saveti

Sušenje

- Plastični predmeti mogu imati loš rezultat sušenja u poređenju sa drugim predmetima.
- U cilju pomaganja sušenju, vrata se mogu otvoriti nakratko nakon ciklusa.

NAPOMENA

- Proverite da li se posuđe ne dodiruje.
- Ako rezultat sušenja nije dobar ili zaostanu mrlje od vode, dodajte opciju **Extra Dry (Ekstra suvo)** ili podesite nivo ispiranja.
- Kada koristite deterdžent u obliku tableta (2 u 1, 3 u 1), može biti potrebno dodatno ispiranje u zavisnosti od količine posuđa; u ovom slučaju koristite opciju **Extra Dry (Ekstra suvo)** ili podesite nivo sušenja.

Vađenje posuđa iz mašine

- Pre vađenja posuđa iz mašine, proverite da li se posuđe ohladilo tako da možete da ga uzmete.
- Najpre ispraznite donju policu, a zatim gornju. Tako ćete izbeći kapanje vode sa gornje police na sudove koji se nalaze ispod.

UPOZORENJE

- Nemojte da izvlačite potpuno napunjene police istovremeno jer se uređaj može prevrnuti. Ispraznite police jednu po jednu.

PAMETNE FUNKCIJE

LG ThinQ aplikacija

Aplikacija **LG ThinQ** omogućava vam da komunicirate sa uređajem koristeći pametni telefon.

Funkcije aplikacije LG ThinQ

Mogućnost komunikacije sa uređajem putem pametnog telefona primenom odgovarajućih pametnih funkcija.

Nadzor

Ova funkcija proverava aktuelni status, ciklus, opcije, vreme rada i vreme završetka ciklusa za aplikaciju na jednom ekranu.

Download Cycle (Preuzimanje ciklusa)

Možete da preuzmete nove i posebne cikluse koji nisu uključeni u osnovne cikluse na uređaju.

Za uređaje koji su uspešno registrovani možete da preuzmete razne posebne cikluse koji su specifični za uređaj.

U uređaju može da bude memorisan samo po jedan ciklus u isto vreme.

Kada uređaj završi sa preuzimanjem ciklusa, on čuva preuzeti ciklus sve dok se ne preuzme novi ciklus.

Podsetnik za čišćenje mašine

Ova funkcija pokazuje koliko je ciklusa preostalo pre nego što bude potrebno da se pokrene

Machine Clean (Čišćenje mašine).

Smart Diagnosis

Ova funkcija pruža korisne informacije o otkrivanju i rešavanju problema sa uređajem na temelju obrasca upotrebe.

Postavke

Omogućavaju vam da podesite razne opcije na uređaju i u aplikaciji.

Push upozorenje

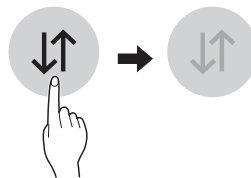
Kada se ciklus završi ili dođe do problema kod uređaja, imate opciju da dobijete obaveštenja na pametnom telefonu. Obaveštenja se prikazuju čak i ako je aplikacija **LG ThinQ** isključena.

NAPOMENA

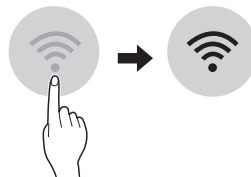
- Ako promenite bežični ruter, pružaoca usluge interneta ili lozinku, izbrišite registrovani uređaj iz aplikacije **LG ThinQ** i registrujte ga ponovo.
- Aplikacija je podložna promenama radi unapređenja rada uređaja i to bez prethodnog obaveštenja korisnika.
- Funkcije mogu varirati u zavisnosti od modela.

Pre korišćenja aplikacije LG ThinQ


- 1 Proverite udaljenost između uređaja i bežičnog rutera (Wi-Fi mreža).
 - Ako je udaljenost između uređaja i bežičnog rutera suviše velika, signal će biti slabiji. Zbog toga registracija može da traje dugo ili instalacija možda neće biti moguća.
- 2 Isključite opciju **Mobile data** ili **Cellular Data** na pametnom telefonu.



- 3 Povežite pametni telefon s bežičnim ruterom.



NAPOMENA

- Da biste proverili Wi-Fi vezu, proverite da li je ikonica  osvetljena na kontrolnoj tabli.

NAPOMENA

- Uređaj podržava samo Wi-Fi mreže od 2,4 GHz. Da biste proverili mrežnu frekvenciju, obratite se internet provajderu ili pogledajte priručnik za bežični ruter.
- **LG ThinQ** ne snosi odgovornost za probleme sa povezivanjem na mrežu niti za bilo koje smetnje, kvarove ili greške izazvane povezivanjem na mrežu.
- Ako uređaj ne može da se poveže na Wi-Fi mrežu, možda je suviše daleko od rutera. Kupite pojačivač Wi-Fi signala (proširivač opsega) da biste pojačali Wi-Fi signal.
- Veza sa Wi-Fi mrežom možda neće biti uspostavljena ili će biti prekinuta zbog uslova u kojima funkcioniše kućna mreža.
- Povezivanje na mrežu možda neće funkcionisati ispravno zbog pružaoca internet usluga.
- Zbog okolnih bežičnih mreža možda će vaša bežična mreža biti spora.
- Uređaj ne može da se registruje zbog problema s bežičnim prenosom signala. Isključite uređaj i sačekajte oko jednog minuta pre nego što pokušate ponovo.
- Ako je na bežičnom ruteru uključen zaštitni zid, isključite zaštitni zid ili dodajte izuzetak.
- Naziv bežične mreže (SSID) treba da se sastoji od kombinacije latiničnih slova i brojeva. (Nemojte da koristite posebne znakove)
- Korisnički interfejs pametnog telefona može da se razlikuje u zavisnosti od mobilnog operativnog sistema i proizvođača.
- Ako je sigurnosni protokol rutera podešen na **WEP** možda nećete moći da podesite mrežu. Molimo da promenite na druge sigurnosne protokole (preporučuje se **WPA2**) i ponovo registrujete proizvod.

Instalacija aplikacije LG ThinQ

Pretražite aplikaciju **LG ThinQ** u radnji Google Play Store & Apple App Store putem pametnog telefona. Pratite uputstva za preuzimanje i instalaciju aplikacije.

Deaktiviranje mrežne veze

Na pametnom telefonu, prekinite vezu sa svojom Wi-Fi mrežom.

- 1 Pokrenite aplikaciju **LG ThinQ**.
- 2 Izaberite i dodirnite opciju **Mašina za pranje sudova** u aplikaciji.
- 3 Izaberite i dodirnite opciju **Izbriši proizvod** u meniju sa podešavanjima da biste prekinuli vezu sa njim.

Specifikacije bežičnog LAN modula

Model	LCW-003
Frekventni opseg	Od 2412 MHz do 2472 MHz
Izlazna snaga (maks.)	IEEE 802.11b: 18.37 dBm IEEE 802.11g: 17.67 dBm IEEE 802.11n: 17.67 dBm

Verzija softvera bežične funkcije : V 1.0

Za informisanje korisnika, ovaj uređaj treba da se postavi i koristi tako da je udaljenost između uređaja i tela najmanje 20 cm.

Deklaracija usaglašenosti



Ovim putem kompanija LG Electronics izjavljuje da je tip radio opreme Mašina za pranje sudova u skladu sa Direktivom 2014/53/EU. Kompletan tekst EU izjave o usklađenosti dostupan je na sledećoj internet adresi:

<http://www.lg.com/global/support/cedoc/cedoc#>
LG Electronics European Shared Service Centre B.V.
Krijgsman 1, 1186 DM Amstelveen, Holandija



Napomena sa informacijama o softveru otvorenog koda

Da biste dobili izvorni kod pod GPL, LGPL, MPL i drugim licencama otvorenog izvornog koda koje su sadržane u ovom proizvodu, posetite <http://opensource.lge.com>.

Pored izvornog koda, možete da preuzmete i sve navedene uslove licence, odricanje od garancije i obaveštenja o autorskim pravima.

Kompanija LG Electronics takođe pruža mogućnost slanja izvornog koda na CD-ROM-u, pod uslovom da pokrijete te troškove (koji obuhvataju cenu medija i troškove slanja i isporuke), za šta je neophodno da pošaljete zahtev kompaniji LG Electronics na e-adresu: opensource@lge.com. Ova ponuda važi tri godine od naše poslednje isporuke ovog proizvoda. Ova poruka važi za sve koji su upoznati sa ovom informacijom.

Smart Diagnosis (Pametna dijagnostika)

Ova funkcija je dostupna samo na modelima sa logotipom  ili .

Upotrebite tu funkciju da lakše dijagnostikujete i otklonite probleme sa svojim uređajem.

NAPOMENA

- Zbog razloga koji se ne mogu pripisati nemaru kompanije LG, usluga možda neće biti u funkciji zbog spoljašnjih faktora, kao što su, bez ograničenja, nedostupnost funkcije Wi-Fi, prekid povezivanja sa funkcijom Wi-Fi, politika lokalne prodavnice aplikacija ili nedostupnost aplikacije.
- Funkcija može da podleže promenama bez prethodnog upozorenja i može da se javlja u različitim oblicima u zavisnosti od toga gde se nalazite.

Korišćenje aplikacije LG ThinQ za dijagnostikovanje problema



Ako iskusite problem sa svojim uređajem koji podržava Wi-Fi, može da prenese podatke o otkrivanju i otklanjanju problema na pametan telefon korišćenjem aplikacije **LG ThinQ**.

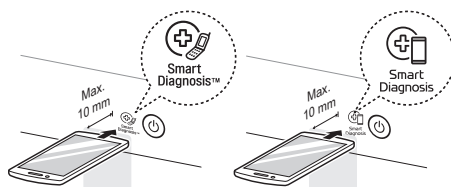
- Pokrenite aplikaciju **LG ThinQ** i izaberite funkciju **Smart Diagnosis** u meniju. Pratite uputstva priložena u aplikaciji **LG ThinQ**.

Korišćenje zvučne dijagnostike za dijagnostikovanje problema

Pratite uputstva u nastavku za korišćenje metode zvučne dijagnostike.

- Pokrenite aplikaciju **LG ThinQ** i izaberite funkciju **Smart Diagnosis** u meniju. Pratite uputstva za zvučnu dijagnostiku priložena u aplikaciji **LG ThinQ**.

- 1 Pritisnite dugme **Napajanje** da biste uključili uređaj.
 - Nemojte da pritisnete drugu dugmad.
- 2 Stavite mikrofonski pametnog telefona blizu logotipa  ili .



- 3 Pritisnite i držite dugme **Download Cycle (Preuzimanje ciklusa)** 3 sekunde ili duže dok držite mikrofonski pametnog telefona na logotipu dok se prenos podataka ne završi.
 - Držite pametni telefon mirno dok se prenos podataka ne završi. Vreme preostalo za prenos podataka biće prikazano.
- 4 Nakon što se obavi prenos podataka, dijagnoza se prikazuje u aplikaciji.

NAPOMENA

- Za najbolje rezultate ne pomerajte pametni telefon dok se zvuk prenosi.

Korisnička služba i servis

Obratite se centru za informisanje korisnika kompanije LG Electronics.

- Da biste pronašli ovlaštene servisere kompanije LG Electronics, posetite naš veb-sajt na **www.lg.com** i sledite uputstva navedena tamo.
- Ne preporučuje se da sami vršite popravke jer to može da dovede do dalje štete na uređaju i poništi garanciju.
- Rezervni delovi navedeni u Uredbi 2019/2022 dostupni su u minimalnom trajanju od 7 godina.

ODRŽAVANJE

Da biste održavali učinak i sprečili probleme, redovno proveravajte spoljašnjost i unutrašnjost uređaja, uključujući filtere i prskalice.

⚠ UPOZORENJE

- Kada čistite spoljašnjost i unutrašnjost uređaja, nemojte da koristite rastvore na bazi rastvarača, kao što su razređivači ili aceton. Može doći do požara ili eksplozije.

NAPOMENA

- Sprečite da životinje izgrizu kabl za napajanje ili crevo za vodu.

Čišćenje i održavanje

Čišćenje spoljašnjosti

U većini slučajeva, spoljašnjost uređaja se može očistiti mekom vlažnom krpom ili sunđerom, zatim se može osušiti mekom krpom. Ako je spoljašnjost uređaja od nerđajućeg čelika, koristite sredstvo za čišćenje nerđajućeg čelika.

⚠ OPREZ

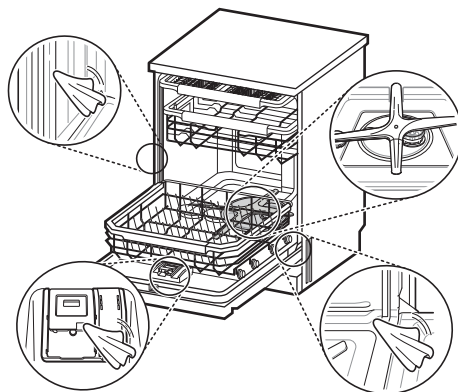
- Ako se ulje za kuvanje prospe na spoljašnju površinu proizvoda, odmah ga obrišite. Nemojte da čistite spoljašnju površinu proizvoda sredstvima za čišćenje koji sadrže alkohol, razređivačima, izbeljivačem, benzenom, zapaljivim tečnostima ili abrazivnim sredstvima. Ove supstance mogu da dovedu do gubitka boje ili oštećenja uređaja.

Čišćenje unutrašnjosti

Preporučuje se da čistite unutrašnjost, prskalice ili filtere jednom na dve nedelje.

Povremeno čistite unutrašnjost uređaja mekom vlažnom krpom ili sunđerom da biste uklonili čestice hrane i prašine.

Ostaci hrane mogu da se zaglaviti u uskim usecima u uređaju nakon završetka pranja. Obrišite sve ostatke hrane.



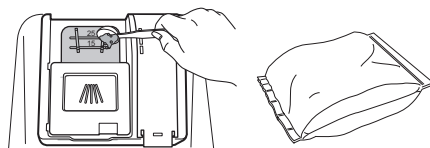
NAPOMENA

- Ako niste koristili uređaj duže vreme, osvežite unutrašnjost tako što ćete pokrenuti program **Turbo** ili **Machine Clean (Čišćenje mašine)** uz deterđent. Kada se ciklus završi, očistite unutrašnjost i spoljašnjost uređaja u skladu sa uputstvima za **ODRŽAVANJE**.

Čišćenje komore za pranje

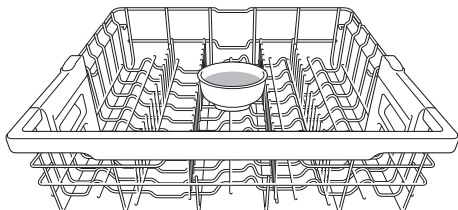
Korišćenje limunske kiseline

Izvadite sve posuđe, korpu za pribor za jelo i držač korpe za pribor za jelo iz uređaja. Samo police treba da ostanu u komori za pranje. Za najbolje rezultate, koristite limunsku kiselinu u prahu (može se naći u odeljcima za konzerviranu hranu u većini supermarketa ili na internetu). Odmerite 3 supene kašike (45 g) limunske kiseline u prahu. Napunite glavni odeljak za pranje izmerenim prahom.



Korišćenje belog sirćeta

Ako ne možete da pronađete limunsku kiselinu u prahu, sipajte oko 3/4 do 1 1/4 šoljice (200–300 mL) belog sirćeta u plitku posudu i stavite na gornju policu. Pokrenite ciklus **Auto (Automatski)**. Nemojte da koristite deterdžent. Kada se ciklus završi, ponovo pokrenite.

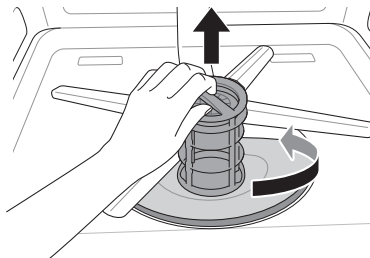


⚠ OPREZ

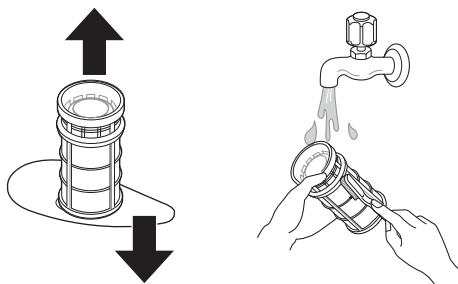
- Nemojte da sipate sirće direktno na dno.
- Prekomerno korišćenje sirćeta može da dovede do oštećenja uređaja.

Čišćenje filtera

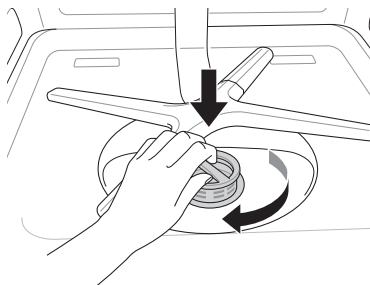
- 1 Uklonite donju policu i postavite donju prskalicu tako da širi krak bude otvoren prema prednjoj strani.
- 2 Okrenite unutrašnji filter u smeru suprotnom od kretanja kazaljki na satu i izvadite sklopljeni unutrašnji filter i filter od nerđajućeg čelika.



- 3 Očistite filtere mekom čekom pod tekućom vodom. Ponovo sastavite filtere pre ponovne instalacije.



- 4 Da biste vratili sklopljene filtere, postavite prskalice tako da širi krak bude okrenut prema prednjoj strani. Vratite filtere u držač filtera i pričvrstite ih okretanjem unutrašnjeg filtera u smeru kretanja kazaljki na satu dok ne klikne u položaju.



⚠ UPOZORENJE

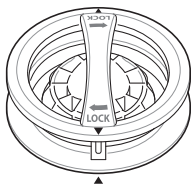
- Budite oprezni zbog oštih ivica kada rukujete filterom od nerđajućeg čelika.

⚠ OPREZ

- Nakon korišćenja uređaja, čestice hrane se filtriraju putem filtera. Svi neuklonjeni ostaci hrane mogu da dovedu do neprijatnog mirisa. Osim toga, može doći do problema sa odvodom zbog ostataka na filterima.

NAPOMENA

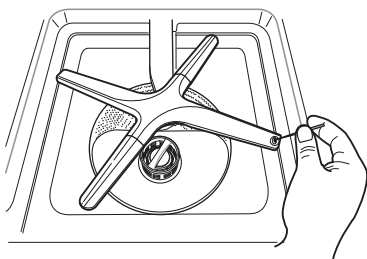
- Prilikom sklapanja, rotirajte ga čvrsto dok ne klikne.

**Čišćenje prskalice**

Ako su rupice prskalice blokirane ostacima hrane, posuđe se možda neće čistiti dobro zbog nepravilnog prskanja vode.

Čišćenje donje prskalice

- 1 Postarajte se da rupice za mlazove vode nisu blokirane česticama hrane.
- 2 Ako ostaci hrane blokiraju rupice prskalice, uklonite ih iglom ili nekim oštrim alatom.

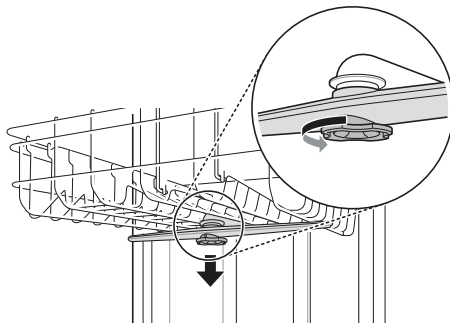
**⚠ OPREZ**

- Da biste izbegli lom krajeva prskalice sa promenljivim uglom, nemojte da ih povlačite niti ručno da ih rotirate.

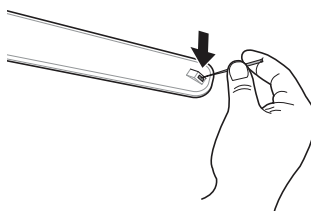
Čišćenje gornje prskalice

- 1 Izvucite gornju policu napred. Postarajte se da rupice za mlazove vode nisu blokirane česticama hrane.

- 2 Kada je čišćenje potrebno, uklonite gornju prskalicu tako što ćete okrenuti navrtku na dnu prskalice za osminu kruga u smeru suprotnom od kretanja kazaljki na satu i povući je nadole.

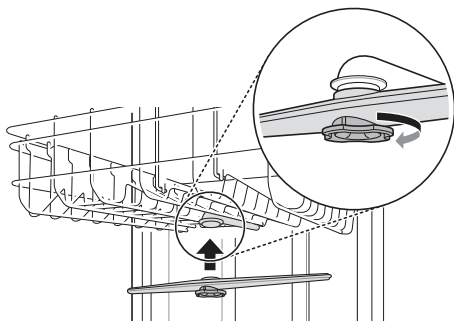


- 3 Uklonite čestice hrane ispiranjem ili protresanjem prskalice.
- 4 Ako ostaci hrane blokiraju rupice prskalice, uklonite ih iglom ili nekim oštrim alatom.



- 5 Nakon uklanjanja ostataka hrane, očistite otvore prskalice pod tekućom vodom.
- 6 Nakon čišćenja gornje prskalice, pritisnite je u njen položaj. Okrenite navrtku za osminu kruga

u smeru kretanja kazaljki na satu tako da se navrtka zaključa nazad u položaju.



7 Nakon sklapanja, proverite da li se prskalice slobodno okreću.

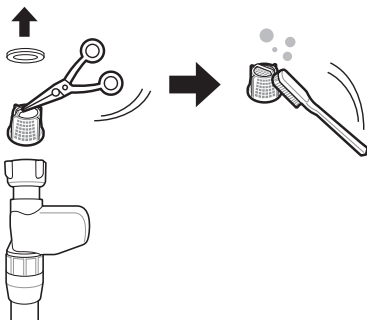
Čišćenje filtera za crevo za dovod vode

1 Isključite uređaj iz napajanja.

2 Isključite slavinu za vodu.

3 Odvijte crevo za dovod vode.

4 Uklonite zaptivku i plastični filter malim kleštima ili makazama.



5 Ponovo postavite filter i zaptivku i postarajte se da ispravno nalegnu.

6 Ponovo postavite i pričvrstite crevo za dovod vode prema obrnutom redosledu. Nemojte da koristite nijedan mehanički uređaj da zatezanje creva. Meka krpa se može koristiti kao pomoć pri pričvršćivanju rukom.

NAPOMENA

- Filter se postavlja na ulaz priključka za crevo za dovod vode.
- Ako je dotok vode u uređaj nedovoljan, proverite da li filter nije blokiran.
- Ako postoji curenje, crevo za dovod vode treba proveriti zbog ispravnoj povezivanja.
- Nikada nemojte da pritežete ventil za dovod vode niti da koristite mehaničke uređaje za zatezanje.
- Kada ponovo sklopite zaptivač i filter, postarajte se da na njima nema prašine ili ostatka koji su možda došli iz dovoda vode.

Sezonsko održavanje i skladištenje

- Ako ćete biti odsutni produženi period tokom toplijih meseci, zatvorite ventil za vodu i iskopčajte kabl za napajanje ili isključite prekidač. Očistite filter, komoru za pranje i dozator da biste sprečili pojavu neprijatnog mirisa.
- Ako ćete biti odsutni duži period tokom hladnijih meseci, a postoji mogućnost da dođe do zamrzavanja, zaštitite dovodne vodove za vodu i sam uređaj. Zaštitu od zimskih uticaja mora da obavi kvalifikovano osoblje servisa.

REŠAVANJE PROBLEMA

Pre pozivanja servisa

Korišćenjem uređaja mogu se javiti greške i kvarovi. Sledeće tabele sadrže moguće uzroke i napomene za otklanjanje poruke o grešci ili kvaru. Možete da otklonite većinu problema samostalno, pa da na taj način uštedite vreme i novac, pošto ne morate da zovete servisni centar kompanije LG Electronics. Sledeća tabela bi trebalo da vam pomogne u pronalaženju i otklanjanju problema.

Šifre greške

Uređaj je opremljen automatskim sistemom za nadgledanje grešaka kako bi u ranim fazama otkrivao i dijagnostikovao probleme. Ako vaš uređaj ne funkcioniše ispravno ili uopšte ne funkcioniše, proverite sledeće pre nego što pozovete servisni centar kompanije LG Electronics.

Simptomi	Mogući uzrok i rešenje
I E	<p>Problem sa dovodom vode.</p> <ul style="list-style-type: none"> • Proverite da li je dovodno crevo za vodu začepljeno, presavijeno ili zamrznuto. • Proverite dovod vode.
DE	<p>Problem sa odvodom.</p> <ul style="list-style-type: none"> • Proverite da li je odvodno crevo začepljeno, presavijeno ili zamrznuto.
	<p>Otpadni ventil je začepljen.</p> <ul style="list-style-type: none"> • Uklonite blokadu na otpadnom ventilu.
	<p>Filteri su začepljeni.</p> <ul style="list-style-type: none"> • Očistite filtere.
bE	<p>Prekomerna pena zbog neodgovarajućeg deterdženta, kao što je tečni sapun za posuđe.</p> <ul style="list-style-type: none"> • Nemojte da koristite tečnosti za ručno pranje posuđa. Koristite samo one deterdžente koji su projektovani za korišćenje u automatskim mašinama za pranje posuđa. • Da biste uklonili ostatke deterdženta u komori za ispiranje, sipajte oko 100–200 m^l mleka u plitku posudu, stavite je na donju policu i pokrenite uređaj u ciklusu Auto (Automatski).
	<p>Neuspešno nivelisanje uređaja.</p> <ul style="list-style-type: none"> • Proverite da li je uređaj ispravno nivelisan.
HE	<p>Kvar kola grejača</p> <ul style="list-style-type: none"> • Pozovite servisni centar ako se isti problem javi ponovo.
FE	<p>Dovedena je prekomerna količina vode.</p> <ul style="list-style-type: none"> • Pozovite servisni centar ako se isti problem javi ponovo.
RE	<p>Problem sa curenjem vode</p> <ul style="list-style-type: none"> • Pozovite servisni centar ako se isti problem javi ponovo.

Simptomi	Mogući uzrok i rešenje
ŁE	Kvar termistora <ul style="list-style-type: none"> • Pozovite servisni centar ako se isti problem javi ponovo.
ŁE	Problem sa motorom <ul style="list-style-type: none"> • Pozovite servisni centar ako se isti problem javi ponovo.
ŃE	Problem sa motorom Varío <ul style="list-style-type: none"> • Pozovite servisni centar ako se isti problem javi ponovo.

Rad

Simptomi	Mogući uzrok i rešenje
Buka	Određeni nivo buke je normalan tokom rada. <ul style="list-style-type: none"> • Otvara se poklopac za deterđžent. • Pumpa za odvod na početku ciklusa odvoda.
	Uređaj nije nivelisan. <ul style="list-style-type: none"> • Podesite nođžice za nivelisanje.
	Prskalica udara u posuđe. <ul style="list-style-type: none"> • Promenite položaj sudova.
	Pritisak vode je previsok. <ul style="list-style-type: none"> • Podesite pritisak vode.
Uređaj ne radi.	Vrata nisu u potpunosti zatvorena. <ul style="list-style-type: none"> • Ponovo nivelišite uređaj.
	Napajanje ili kabl za napajanje nisu povezani. <ul style="list-style-type: none"> • Povežite napajanje ili kabl ispravno.
	Kada se funkcija Control Lock (Zaključavanje kontrola) aktivira, oznaka ŁL se prikazuje na ekranu. <ul style="list-style-type: none"> • Deaktivirajte dugme Control Lock (Zaključavanje kontrola). • Pritisnite i držite Half Load (Polovina kapaciteta) i Energy Saver (Ušteda energije) istovremeno 3 sekunde da biste aktivirali ili deaktivirali ovu funkciju.
	Osigurač je pregoreo ili se aktivirao automatski prekidač. <ul style="list-style-type: none"> • Zamenite osigurač ili resetujte automatski prekidač.
Uređaj neprekidno emituje zvučne signale kada su vrata otvorena, tokom ili nakon završetka ciklusa.	Sadržaj u uređaju je vreo i treba biti oprezan prilikom ubacivanja ruku u uređaj. <ul style="list-style-type: none"> • Zatvorite vrata dok se uređaj i posuđe ne ohlade. Zvučni signali će se zaustaviti ako se vrata zatvore ili se unutrašnja temperatura snizi.

Simptomi	Mogući uzrok i rešenje
Voda ostaje u sumpu nakon završetka ciklusa.	Odvodno crevo je presavijeno ili zapušeno. <ul style="list-style-type: none"> • Podesite crevo ili uklonite blokadu creva.
	Voda ostaje ako se napajanje izgubi pre normalnog završetka ciklusa ili ako se ručno odvoji. <ul style="list-style-type: none"> • Ponovo pokrenite ciklus.
Prskalice se ne rotiraju nesmetano.	Rupe na prskalicama su blokirane česticama hrane. <ul style="list-style-type: none"> • Očistite otvore na prskalicama.
Gornja polica je iskrivljena.	Polica je loše podešena. <ul style="list-style-type: none"> • Pogledajte odeljak Gornja polica sa podešavanjem visine.
Lampice ne svetle.	Napajanje nije povezano. <ul style="list-style-type: none"> • Povežite napajanje.
Došlo je do prekomerne količine pene unutar uređaja.	Nije korišćen deterđent isključivo namenjen za uređaj. <ul style="list-style-type: none"> • Koristite deterđent isključivo namenjen za uređaj.
	Prekomerna količina sredstva za ispiranje može dovesti do stvaranja pene. <ul style="list-style-type: none"> • Smanjite nivo za doziranje sredstva za ispiranje.
Deterđent je zaostao u dozatoru za deterđent.	Nebalansirana gornja polica. <ul style="list-style-type: none"> • Podesite levu/desnu visinu gornje police.
	Deterđent se možda neće dozirati zbog lošeg slaganja posuđa koje sprečava automatsko otvaranje dozatora za deterđent. <ul style="list-style-type: none"> • Ispravno rasporedite posuđe i uvek osušite dozator pre dodavanja novog deterđenta tako da se ne zgruša.
Curenje vode izvan uređaja.	Vrata možda nisu zatvorena zbog nagnutog uređaja. U tom slučaju može doći do curenja vode. <ul style="list-style-type: none"> • Proverite nivelisanost podešavanjem nožica.
	Pogrešna instalacija odvodnog creva može dovesti do curenja. <ul style="list-style-type: none"> • Proverite deo za povezivanje odvodnog creva.
	Ako je napajanje isključeno, curenje vode može biti izazvano lošom vezom sa slavinom. <ul style="list-style-type: none"> • Proverite priključak creva za dovod vode.

Učinak

Simptomi	Mogući uzrok i rešenje
Zamućeno posuđe od stakla	Kombinacija prekomerne količine deterdženta i tvrde vode <ul style="list-style-type: none">• Koristite manje deterdženta i koristite sredstvo za ispiranje da biste smanjili problem.• Proverite podešavanje sistema za omekšavanje.
Crne ili sive mrlje na posuđu	Aluminijumski delovi trljaju se o posuđe tokom ciklusa <ul style="list-style-type: none">• Promenite položaj sudova.
Žut ili braon sloj na unutrašnjim površinama uređaja	Mrlje od kafe ili čaja <ul style="list-style-type: none">• Otklonite mrlje korišćenjem proizvoda za uklanjanje mrlja.
Ostaci žute vode unutar mašine za pranje posuđa.	Kada prvi put koristite uređaj, žuta voda može da se javi u rezervoaru za omekšivač za vodu. <ul style="list-style-type: none">• To je normalno stanje i nije opasno po ljude. Nestaje nakon od 1 do 3 ciklusa.

Simptomi	Mogući uzrok i rešenje
Mrlje i slojevi na posuđu	Koristi se pogrešna količina deterdženta <ul style="list-style-type: none"> • Koristite preporučenu količinu deterdženta.
	Preopterećenje <ul style="list-style-type: none"> • Nemojte da prepunjavate uređaj.
	Nepravilno punjenje <ul style="list-style-type: none"> • Pogledajte odeljak RAD.
	Nedovoljan pritisak vode <ul style="list-style-type: none"> • Pritisak vode treba da bude između 0,05 i 0,6 MPa.
	Nedovoljna količina deterdženta <ul style="list-style-type: none"> • Dodajte preporučenu količinu deterdženta. Pogledajte odeljak RAD.
	Dozator za sredstvo za ispiranje je prazan. <ul style="list-style-type: none"> • Dopunite sredstvo za ispiranje.
	Omekšivač vode nema soli ili nedovoljno soli. <ul style="list-style-type: none"> • Proverite da li ima soli u omekšivaču vode.
	Nivo tvrdoće vode je možda podešen prenisko. <ul style="list-style-type: none"> • Povećajte vrednost za podešavanje nivoa tvrdoće.
	Nedovoljna količina sredstva za ispiranje. <ul style="list-style-type: none"> • Dopunite sredstvo za ispiranje ili povećajte nivo doziranja.
	Naslage tvrde vode u komori za pranje <ul style="list-style-type: none"> • Izvadite sve posuđe, korpu za pribor za jelo i držač korpe za pribor za jelo iz uređaja. Samo police treba da ostanu u komori za pranje. Za najbolje rezultate, koristite limunsku kiselinu u prahu (može se naći u odeljcima za konzerviranu hranu u većini prodavnica ili na internetu). Odmerite 3 supene kašike (45 g) limunske kiseline u prahu. Napunite glavni odeljak za pranje izmerenim prahom. Ako ne možete da pronađete limunsku kiselinu u prahu, sipajte oko 3/4 do 1 1/4 šoljice (200–300 mL) belog sirćeta u plitku posudu i stavite na gornju policu. Pokrenite ciklus Auto (Automatski). Nemojte da koristite deterdžent. Kada se ciklus završi, ponovo pokrenite.

Simptomi	Mogući uzrok i rešenje
Neprijatni miris	<p>Prethodni ciklus je zaustavljen pre završetka i u uređaju ostaje zaostala voda.</p> <ul style="list-style-type: none"> Uključite napajanje, pokrenite opciju ciklusa Cancel (Otkazi) da biste uklonili preostalu vodu, zatim pokrenite ciklus Turbo uz korišćenje deterdženta, ali dok je uređaj prazan.
	<p>Na dnu jedinice ili u filteru se nalazi hrana.</p> <ul style="list-style-type: none"> Očistite filter i unutrašnjost u skladu sa odeljkom ODRŽAVANJE u korisničkom uputstvu.
	<p>Neoprani sudovi su ostavljeni u uređaju duži period.</p> <ul style="list-style-type: none"> Pokrenite ciklus uz jednu šoljicu belog sirćeta u čaši ili posudi koja se može prati u mašini i koja je na gornjoj polici. (Sirće je kiselina, a uz konstantnu upotrebu, može doći do oštećenja uređaja.)
Ostaci hrane ostaju na posuđu.	<p>Nepravilan izbor ciklusa</p> <ul style="list-style-type: none"> Izaberite odgovarajući ciklus na osnovu nivoa zaprljanosti i vrste posuđa koje se pere.
	<p>Temperatura vode je preniska.</p> <ul style="list-style-type: none"> Proverite priključak za dovod vode ili podešavanje grejača vode.
	<p>Deterdžent za mašinu za pranje veša se ne koristi.</p> <ul style="list-style-type: none"> Koristite preporučeni deterdžent.
	<p>Nizak pritisak na dovodu za vodu</p> <ul style="list-style-type: none"> Pritisak vode treba da bude između 0,05 i 0,6 MPa.
	<p>Otvori za prskanje vode na prskalicama su blokirani.</p> <ul style="list-style-type: none"> Očistite prskalice.
	<p>Nepravilno ubacivanje posuđa.</p> <ul style="list-style-type: none"> Postarajte se da posuđe ne blokira rotaciju prskalica niti da ometa dozator deterdženta.
	<p>Filteri su začepljeni.</p> <ul style="list-style-type: none"> Očistite filtere.
	<p>Previše neuklonjenih ostataka hrane na posuđu.</p> <ul style="list-style-type: none"> Velike čestice ostataka hrane treba da se uklone sa posuđa pre pokretanja pranja.

Sušenje

Simptomi	Mogući uzrok i rešenje
Posuđe nije osušeno.	Prazan dozator za sredstvo za ispiranje. <ul style="list-style-type: none"> Proverite i dopunite dozator za sredstvo za ispiranje ako je prazan. Za bolje rezultate sušenja, blago otvorite vrata nakon rada.
	Tablete koje se koriste možda nemaju ugrađeno sredstvo za ispiranje. To će smanjiti učinak sušenja. <ul style="list-style-type: none"> Počnite da koristite tablete koje sadrže sredstvo za ispiranje (obratite se proizvođaču tableta ako niste sigurno). Alternativno, koristite tečno sredstvo za ispiranje u dozatoru ako tablete ne sadrže sredstvo za ispiranje.
	Izabran je ciklus bez opcije Extra Dry (Ekstra suvo). <ul style="list-style-type: none"> Izaberite ciklus kod kog je opcija Extra Dry (Ekstra suvo) uključena.

Wi-Fi

Simptomi	Mogući uzrok i rešenje
Vaš aparat i pametni telefon nisu priključeni na Wi-Fi mrežu.	Lozinka za Wi-Fi mrežu na koju pokušavate da se priključite nije ispravna. <ul style="list-style-type: none"> Pronađite Wi-Fi mrežu na koju je priključen vaš pametni telefon i uklonite je, a zatim registrujte svoj uređaj na LG ThinQ.
	Mobilni podaci na vašem pametnom telefonu su uključeni. <ul style="list-style-type: none"> Isključite opciju Mobilni podaci na svom pametnom telefonu i registrujte uređaj pomoću Wi-Fi mreže.
	Naziv bežične mreže (SSID) nije ispravno podešen. <ul style="list-style-type: none"> Naziv bežične mreže (SSID) treba da se sastoji od kombinacije latiničnih slova i brojeva. (Nemojte da koristite posebne znakove).
	Frekvencija rutera nije 2,4 GHz. <ul style="list-style-type: none"> Podržani su samo ruteri čija je frekvencija 2,4 GHz. Podesite bežični ruter na 2,4 GHz i priključite uređaj na bežični ruter. Da biste proverili frekvenciju rutera, obratite se provajderu internet usluga ili proizvođaču rutera.
	Udaljenost između uređaja i bežičnog rutera je suviše velika. <ul style="list-style-type: none"> Ako je udaljenost između uređaja i bežičnog rutera suviše velika, signal može da bude suviše slab i veza možda neće biti ispravno konfigurisana. Stavite ruter bliže uređaju.

DODATAK

List sa podacima o proizvodu

Delegirana uredba komisije (EU) br. 2019/2017

Ime ili zaštitni znak dobavljača: LG Electronics Inc

Adresa dobavljača*2: LG Electronics European Shared Service Centre B.V., Krijgsman 1, 1186 DM Amstelveen, The Netherlands

*1 za eko program.

*2 izmene u ovim stavkama ne smatraju se relevantnim u svrhe stava 4 člana 4 Propisa (EU) 2017/1369.

Identifikator modela: DF425***

Opšti parametri proizvoda:

Parametar	Vrednost	Parametar	Vrednost
Nominalan kapacitet*1(PS)	14	Dimenzija u cm	85
		Visina	85
		Širina	60
		Dubina	60
EEI*1	49,9	Klasa energetske efikasnosti*1	D
Indeks učinka čišćenja*1	1,13	Indeks učinka sušenja*1	1,07
Potrošnja energije u kWh [po ciklusu]. na osnovu eko programa korišćenjem dovoda hladne vode. Stvarna potrošnja energije zavisice od toga kako se uređaj koristi.	0,849	Potrošnja vode u litrima [po ciklusu] na osnovu eko programa. Stvarna potrošnja vode zavisice od toga kako se uređaj koristi i od tvrdoće vode.	9,5
Trajanje programa*1(h:min)	03:13	Tip	samostojeća
Emisija zvukova koje se prenose preko vazduha*1(dB(A) re 1 pW)	41	Klasa emisija buke koja se prenosi preko vazduha*1	B
Isključeni režim (W)	0,49	Režim mirovanja (W)	0,49
Odloženo pokretanje (W) (ako je primenljivo)	3,99	Režim mirovanja uz povezanost sa mrežom (W) (ako je primenljivo)	1,99

Minimalno trajanje garancije koju daje dobavljač*2: 2 godine

Dotadne informacije: www.lg.com

Identifikator modela: DF325***

Opšti parametri proizvoda:

Parametar	Vrednost	Parametar	Vrednos t	
Nominalan kapacitet* ¹ (PS)	14	Dimenzija u cm	Visina	85
			Širina	60
			Dubina	60
EEI* ¹	55,9	Klasa energetske efikasnosti* ¹	E	
Indeks učinka čišćenja* ¹	1,13	Indeks učinka sušenja* ¹	1,07	
Potrošnja energije u kWh [po ciklusu]. na osnovu eko programa korišćenjem dovoda hladne vode. Stvarna potrošnja energije zavisice od toga kako se uređaj koristi.	0,951	Potrošnja vode u litrima [po ciklusu] na osnovu eko programa. Stvarna potrošnja vode zavisice od toga kako se uređaj koristi i od tvrdoće vode.	9,5	
Trajanje programa* ¹ (h:min)	03:48	Tip	samosto jeća	
Emisija zvukova koje se prenose preko vazduha* ¹ (dB(A) re 1 pW)	42	Klasa emisija buke koja se prenosi preko vazduha* ¹	B	
Isključeni režim (W)	0,26	Režim mirovanja (W)	0,26	
Odloženo pokretanje (W) (ako je primenljivo)	3,99	Režim mirovanja uz povezanost sa mrežom (W) (ako je primenljivo)	1,99	
Minimalno trajanje garancije koju daje dobavljač*²: 2 godine				
Dodatne informacije: www.lg.com				

Identifikator modela: DF325**

Opšti parametri proizvoda:

Parametar	Vrednost	Parametar	Vrednost	
Nominalan kapacitet* ¹ (PS)	14	Dimenzija u cm	Visina	85
			Širina	60
			Dubina	60
EEI* ¹	55,9	Klasa energetske efikasnosti* ¹	E	
Indeks učinka čišćenja* ¹	1,13	Indeks učinka sušenja* ¹	1,07	
Potrošnja energije u kWh [po ciklusu]. na osnovu eko programa korišćenjem dovoda hladne vode. Stvarna potrošnja energije zavisice od toga kako se uređaj koristi.	0,951	Potrošnja vode u litrima [po ciklusu] na osnovu eko programa. Stvarna potrošnja vode zavisice od toga kako se uređaj koristi i od tvrdoće vode.	9,5	
Trajanje programa* ¹ (h:min)	03:48	Tip	samosto jeća	
Emisija zvukova koje se prenose preko vazduha* ¹ (dB(A) re 1 pW)	44	Klasa emisija buke koja se prenosi preko vazduha* ¹	B	
Isključeni režim (W)	0,26	Režim mirovanja (W)	0,26	
Odloženo pokretanje (W) (ako je primenljivo)	3,99	Režim mirovanja uz povezanost sa mrežom (W) (ako je primenljivo)	1,99	
Minimalno trajanje garancije koju daje dobavljač*²: 2 godine				
Dodatne informacije: www.lg.com				

Delegirana uredba komisije (EU) br. 1059/2010

Ime ili zaštitni znak dobavljača	LG			
	DF425***	DF325***	DF325**	
Nominalni kapacitet, kod standardnih podešavanja, za standardni ciklus čišćenja	14			PS
Klasa energetske efikasnosti	A+++	A++	A++	
Dobitnik „EU Ecolabel“ u skladu sa uredbom (EC) No 66/2010	Ne			
Potrošnja energije od „X“ kWh godišnje, na osnovu 280 standardnih ciklusa pranja korišćenjem hladne vode i potrošnje u režimima niske snage. Stvarna potrošnja energije će zavisiti od načina korišćenja uređaja.	237	266	266	kWh/ godišnje
Potrošnja energije (Et) standardnog ciklusa pranja	0,83	0,944	0,944	kWh
Potrošnja energije u isključenom režimu	0,49	0,26	0,26	W
Potrošnja energije u uključenom režimu	0,49	0,26	0,26	W
Potrošnja vode od „X“ litara godišnje, na osnovu 280 standardnih ciklusa pranja. Stvarna potrošnja vode će zavisiti od načina korišćenja uređaja.	2700			litara/ godišnje
Klasa efikasnosti sušenja od „X“ na skali od G (najmanje efikasno) do A (najviše efikasno)	A			
„Eco“ je standardni ciklus pranja na koji se informacije na etiketi i u listu s podacima odnose, da je ovaj program pogodan za čišćenje normalno zaprljanog posuđa i da je najefikasniji program u pogledu kombinovane potrošnje energije i vode.				
Vreme programa za standardni ciklus pranja	193	228	228	min
Trajanje perioda kada se mašina ostavi uključena (TI)	1			min
Emisija zvukova koje se prenose preko vazduha	41	42	44	dB (A)
Samostojeća				

