

ivy | REC

USER MANUAL



Canon

CONTENT

SAFETY INFORMATION P3-4

Read Before Use

Maintaining The Device

Waterproof Cautions

OVERVIEW P5

Supplied Items

Product Features

GETTING STARTED P6-9

Charging

Inserting/Removing MicroSD Card

Power ON/OFF

First Time Pairing With Your Smartphone

Camera Default Settings

OPERATIONS P10-11

Wireless Mode

Photo Mode

Video Mode

Multi Mode

LED INDICATIONS P12

ACCESSORY P13

TROUBLESHOOTING P14

SPECIFICATIONS P15

SAFETY INFORMATION

READ BEFORE USE

Please read the following instructions and safety precautions before using the device.

For regulatory and additional safety information, refer to the Regulation and Warranty Information sheet included in your package contents.

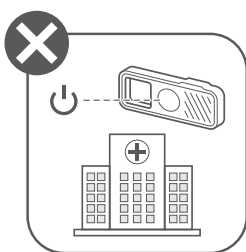
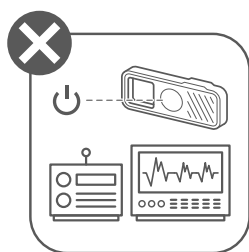
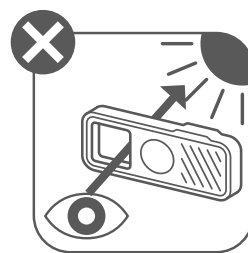
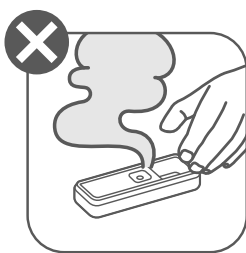
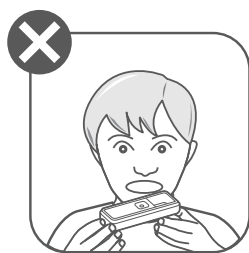
RMN: PG1001

Regulatory Model Identification Number is assigned for regulatory identification purpose.



WARNING

Used to indicate a potentially hazardous situation which, if not avoided, could result in death or serious injury.

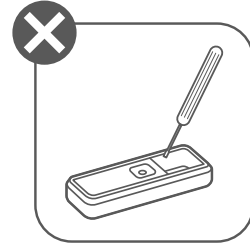
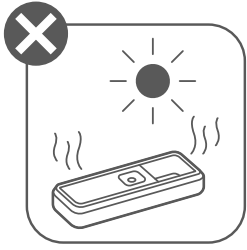


- Keep away from children and infants. Improper use of this product may cause suffocation or accident.
- Stop using the device immediately if it emits smoke or a strange smell, or otherwise behaves abnormally.
- A strap wound around a child's neck may result in asphyxiation. If your product uses a power cord, mistakenly winding the cord around a child's neck may result in asphyxiation.
- Turn the device off in places where camera use is prohibited. The electromagnetic waves emitted by the camera may interfere with the operation of electronic instruments and other devices. Exercise adequate caution when using the product in places where use of electronic devices is restricted, such as inside airplanes and medical facilities.
- This product is embedded with magnets. Please be careful if implant electronic devices (such as cardiac pacemaker) nearby, as magnets may cause malfunctions. If this happens, please distance the magnet from the implant electronic device and consult the doctor at once.



CAUTION

Used to indicate the level of a hazard or damage which, if product is handled erroneously, may result in injury or property damage other than product faults.



- Electromagnetic interference or electrostatic discharge may cause the device to malfunction or the MicroSD card memory to be lost or altered. Should this occur, use a pin with blunt end to press the [RESET] button at the backside of the device for more than 10 seconds. See Diagram A on page 6 for exact location of reset button.
- Never expose the battery to high temperatures, direct heat, or dispose by incineration. Do not dry the device with an external heat source such as microwave oven or hair dryer. This could cause overheating, explosion of battery, fire, burns or other injuries.
- The device has a clip for easy carrying. Do not use the clip for any other purpose. Do not use for climbing.
- Be careful not to pinch your fingers when using the clip and do not to bend the hook, this may cause injury.
- Do not attempt in disassemble the device to avoid electric shock and injury.
- Dispose the product in accordance with local regulations.

MAINTAINING THE DEVICE

- Please charge the device at the recommended temperature of 59° to 90°F (15° to 32°C).
- Use and keep the device in the recommended environment of 59° to 90° F (15° to 32°C). Avoid using or storing the device in humid or dusty place.
- After the device is exposed to dirty water, rinse it with fresh water and dry it completely with a soft cloth.
- The device has a shockproof to 2M (6.6 ft.). However, strong impacts could scratch the device and cause it to malfunction. Be careful to avoid expose it to excessive shocks.
- Avoid sitting down with device in your pants pocket. This may damage your device and cause it to malfunction.

WATERPROOF CAUTIONS

- IP68 water resistance test is performed under IEC standard using freshwater.
- Use with a water depth up to 2M (6.6 ft.) with the Side Cover closed tightly for up to 30 minutes. (See NOTE and Diagram B on pages 7 and 9 for Side Cover closing instructions).
- Do not open the side cover of device under water, this may cause the device to malfunction.
- Rinse the device with clean water and dry it with a soft cloth completely after using the device in salt water or chlorinated water, otherwise it may cause corrosion, discoloration or deterioration of material or affect waterproof performance.
- Do not expose to chemicals, soap, detergents, alcohol, or other non-freshwater liquids. If exposed to non-freshwater liquids, rinsing immediately with freshwater is recommended.
- Keep away from sun oil or sun screen. Doing so may cause discoloration or deterioration of material.
- The waterproof performance is not guaranteed if the camera is subjected to strong impacts or excessive shocks.

OVERVIEW

SUPPLIED ITEMS



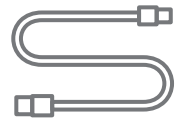
Camera



Tips



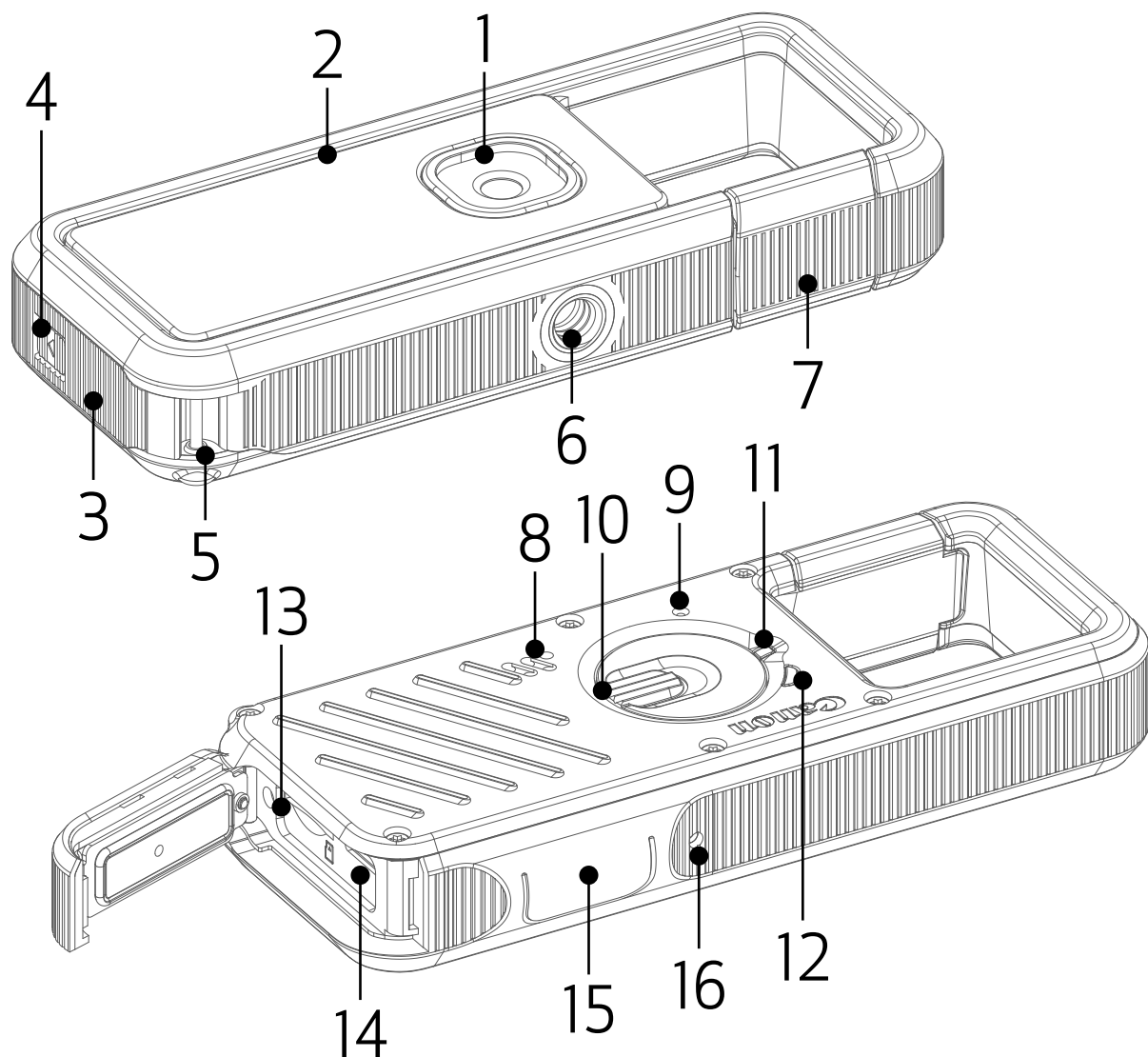
Regulation and
Warranty Information
Sheet



USB Cable

PRODUCT FEATURES

DIAGRAM A



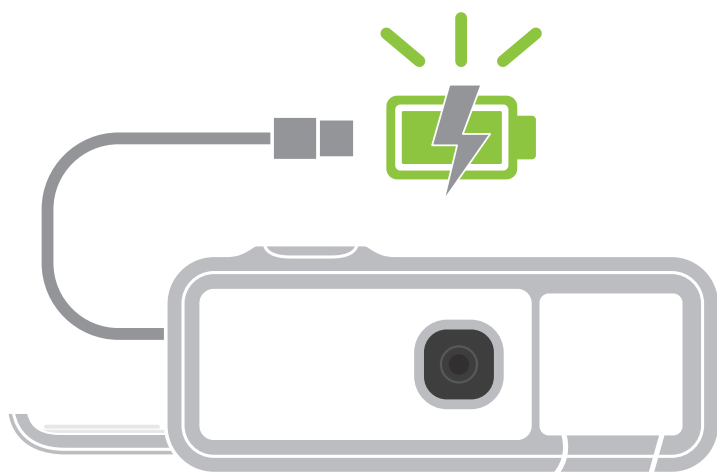
- ① Camera Lens
- ② Detachable Faceplate
- ③ Side Cover
- ④ Latch Release Button
- ⑤ Wristband Eyelet
- ⑥ Tripod Screw Hole
- ⑦ Clip
- ⑧ Speaker
- ⑨ Reset Button
- ⑩ ON/OFF/Mode Dial Switch
- ⑪ Mode LED
- ⑫ Status LED
- ⑬ MicroSD Card Slot (up to 256GB)
- ⑭ Micro USB Port
- ⑮ Shutter Button
- ⑯ Microphone

*To reset all parameters into default setting, turn on the device, then use a pin with blunt end to press the reset button, and press shutter button at the same time. The device will restart automatically.

*If your device is unresponsive, hold the reset button for more than 10 seconds by a pin with a blunt end. The device will force to power off. Switch the mode dial or press the shutter button to restart.

GETTING STARTED

CHARGING



MODE LED

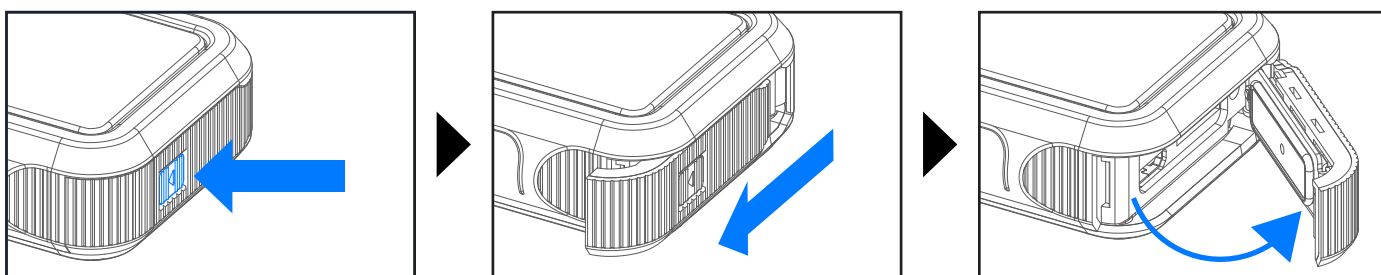
Charging: Red



Fully Charged: Green



- 1 Press on the latch release button, and slide the Side Cover upward to open it.

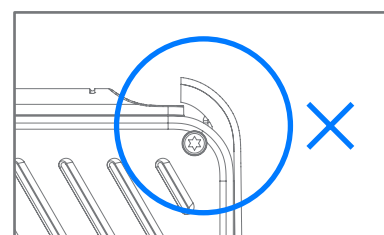
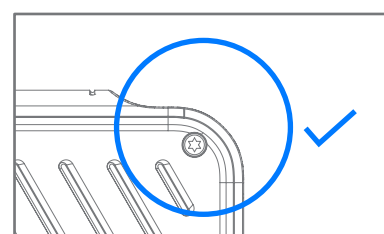


- 2 Insert the smaller end of the supplied USB cable into the device and other end into a chargeable USB adapter.
- 3 The Mode LED will turn red to indicate charging.
- 4 Once fully charged, the Mode LED will turn green.
 - Operating time may vary depending on the battery status, operational status and environment conditions.

! NOTE

- Do not open the cover when the camera is wet or submerged in water. If there is moisture on the camera, wipe it off with a soft, dry cloth until it is completely dry.
- Be sure that the waterproof seals and the areas around them are kept free from scratches and foreign objects such as sand, dirt, or hair. These may prevent a tight seal and cause leakage inside.
- When you close the cover, make sure the Side Cover returns to the position shown in Diagram B.

DIAGRAM B

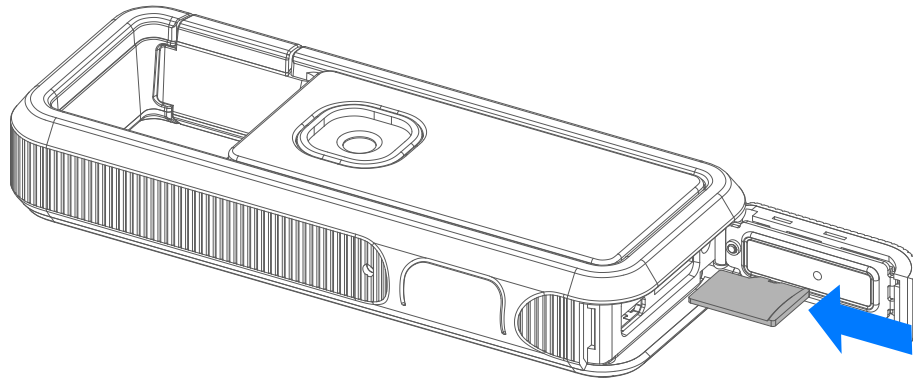


ABOUT USB CABLE

HANDLE THE USB CABLE WITH CARE WHILE CHARGING

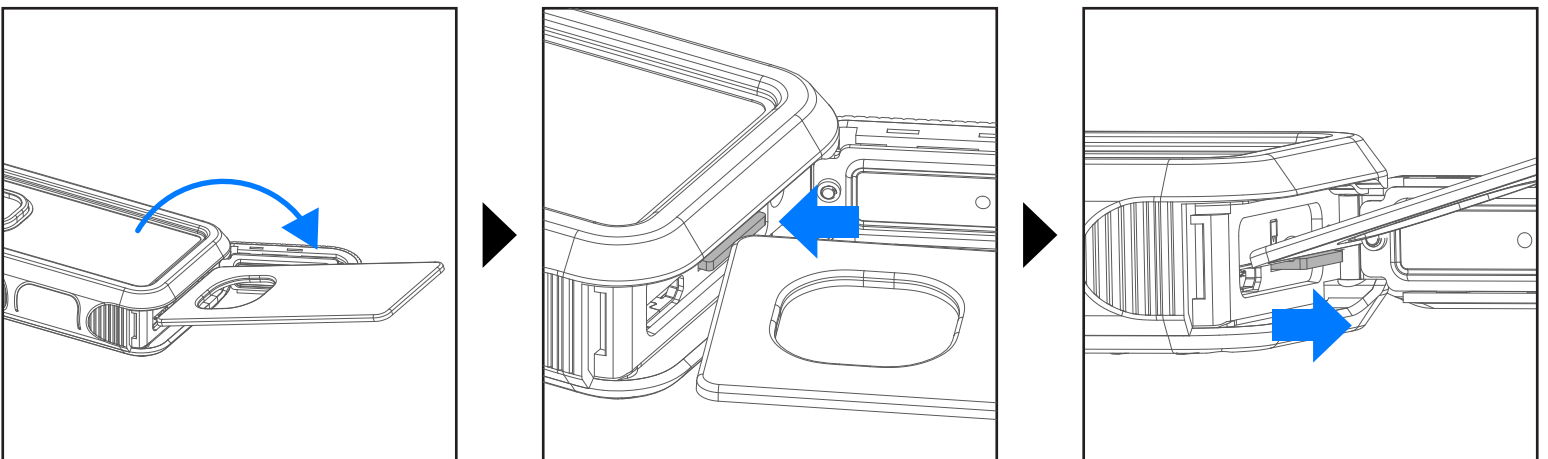
- Do not place any heavy objects on top of the cable.
- Do not place the USB cable near heat.
- Do not scratch, damage, twist or pull hard on the cable.
- Do not plug or unplug the cable with wet hands.
- Do not attempt to charge a wet device.
- Avoid too high/too low temperature or humid conditions.
- Please unplug the USB cable from power source after charging.
- Please use the supplied USB cable for charging.

INSERTING/ REMOVING MicroSD CARD



INSERT AND REMOVE THE MicroSD CARD

- Press on the latch release button and slide the Side Cover upward to open it.
- Insert the MicroSD card into the MicroSD card slot inside the Side Cover. When the card is fully inserted, you will hear a slight click and the card will not extend above the slot.
- Push on the top of the MicroSD card to release it. Gently pull it out to fully remove it from the device.
- If there is an error reading /writing to the MicroSD card. Remove the MicroSD card and restart the device.
- Connect the device to a computer by the USB cable provided. Double-click the external drive image when it appears on the computer to view and save the photos.



! NOTE

- The detachable faceplate can act as tool for inserting or removing the MicroSD Card. By using a corner of faceplate to press down the MicroSD Card into the slot, or press to release the MicroSD Card from the slot.



An external MicroSD card (up to 256 GB) is needed for saving captured photos and videos.

Only FAT16, FAT32 and exFAT formats are supported. Class 10 or above is recommended for a satisfying user experience.

Use the following memory cards (sold separately)

- MicroSD memory cards *1
- MicroSDHC memory cards *1 *2
- MicroSDXC memory cards *1 *2

*1 Cards conforming to SD standards. However, not all memory cards have been verified to work with the camera.

*2 UHS-I memory cards are also supported.

! NOTE

- Remember to close the side cover firmly after charging/inserting or removing MicroSD card. Water, dust and other particles entering inside the device could damage and cause it to malfunction.
- Do not open the cover when the camera is wet or submerged in water. If there is moisture on the camera, wipe it off with a soft, dry cloth until it is completely dry.
- Be sure that the waterproof seals and the areas around them are kept free from scratches and foreign objects such as sand, dirt, or hair. These may prevent a tight seal and cause leakage inside.
- When you close the cover, make sure the Side Cover returns to the position shown in Diagram B.

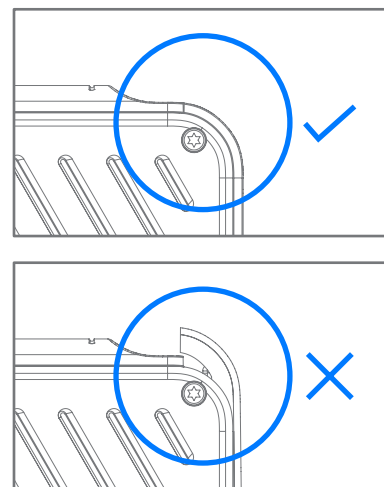
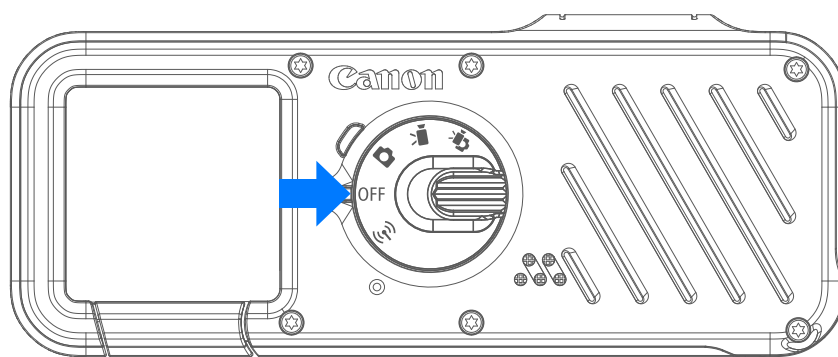


DIAGRAM B

POWER ON/OFF



- Turn the mode dial from OFF to any other modes, the device will turn on in around 4 seconds.
- Turn the mode dial to OFF to turn off the device.

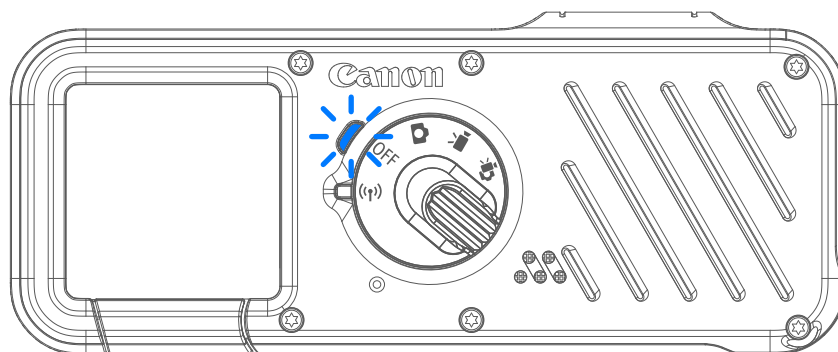
AUTO POWER OFF

The device will power off automatically when idle for 3 minutes (by default).

- User can restart the device by pressing the Shutter Button or turning the Mode Dial to any mode.
- User can change the time for Auto Power Off (3 minutes / 5 minutes / 10 minutes) using the Canon Mini Cam App.

FIRST TIME PAIRING WITH YOUR COMPATIBLE SMARTPHONE

- 1 Turn the mode dial to (📶) wireless mode.



- 2 Tap on the "Add Device" under the main menu of the Canon Mini Cam App.
- 3 Follow the onscreen instructions for pairing.
- 4 The Status LED light will turn to Green color after the pairing is successfully done.

! NOTE

- Bluetooth® and Wi-Fi® are required. Wi-Fi connection performance may be affected by operation environment and the distance between the camera and smartphone.
- Device will exit pairing mode if no new pairing request from compatible smartphone for 3 minutes.
- Pairing Mode will be terminated if switch to other operation modes during device pairing.
- Keep your device firmware up-to-date. To check if your firmware needs to be upgraded, - open the Canon Mini Cam app, go to the Main Menu > Settings > Device info, then tap "Firmware Upgrade".
- Make sure your mobile device has an internet connection before checking. If you need to upgrade the firmware, your camera must be charged to 50% or higher.
- Make sure you are using the latest version Canon Mini Cam app. If your app does not automatically update, go to app store and check if you need to update.

CAMERA DEFAULT SETTINGS

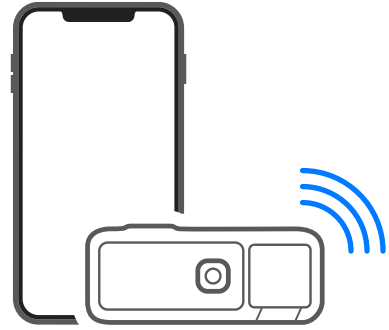
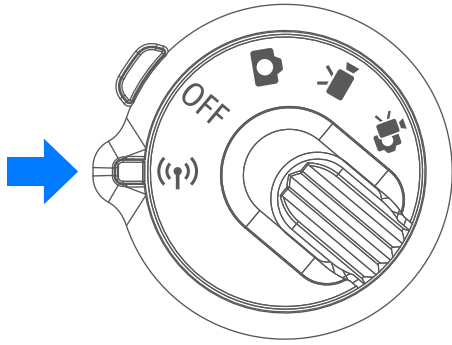
Your camera has following default settings and options.

	Default Settings	Options
Photo Aspect ratio	4:3	- 4:3 - 1:1
Photo Resolution	Large	- Large • 4:3 - 4160 x 3120 • 1:1 - 3104 x 3104 - Medium • 4:3 - 2944 x 2208 • 1:1 - 2208 x 2208 - Small • 4:3 - 2080 x 1560 • 1:1 - 1568 x 1568
Video Resolution	720p 30fps*	- 720p 30fps* - 1080p 30fps - 1080p 60fps
*Supports Live View Recording		
Camera Auto Power Save	3 minutes	- 3 minutes - 5 minutes - 10 minutes

- You can change the default settings in the Canon Mini Cam App when the device is connected with your compatible smartphone.
- Bluetooth® is required.
- The device would pair with your compatible smartphone automatically after first time pairing is done.

OPERATIONS

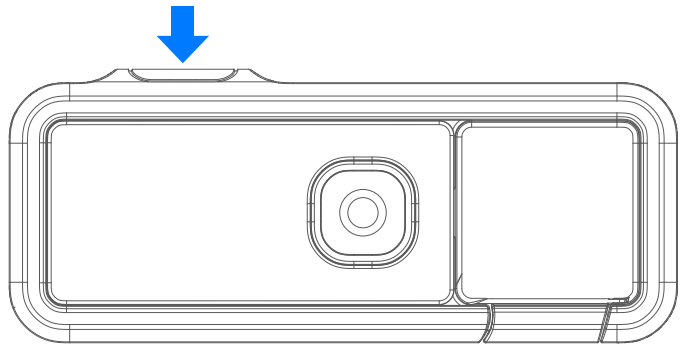
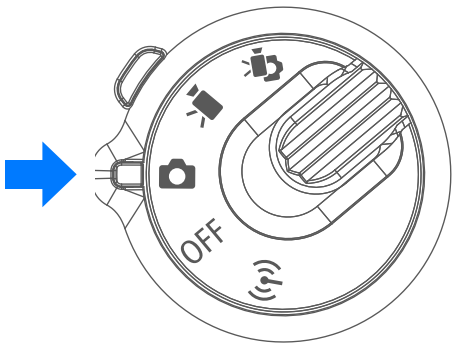
WIRELESS MODE



Connect your device with compatible smartphone for the operations below:

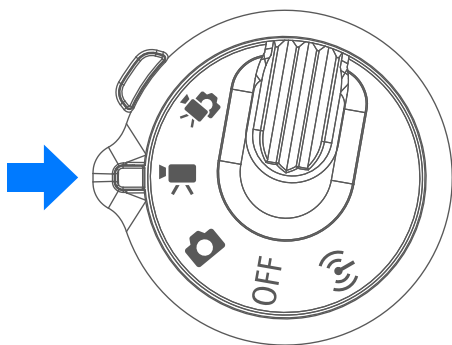
- Remote shoot photo/video
- Live View for Photo/Video Capturing
- Access DCIM folders stored in MicroSD Card, including View/Delete/Download to Smartphone or Edit.

PHOTO MODE



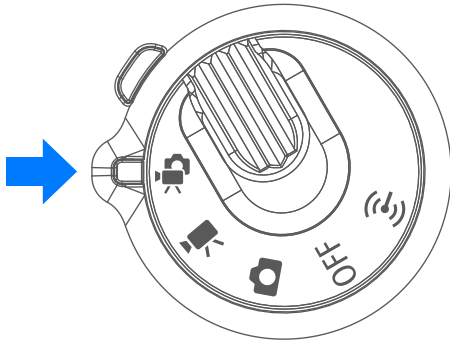
- Press the Shutter Button to capture a photo.
- There may be a delay before capturing the next image.
- Press and hold the Shutter Button to shoot continuously. (2fps)
- TIP: To avoid camera shake in low light conditions /indoor shooting, hold camera with both hands.

VIDEO MODE

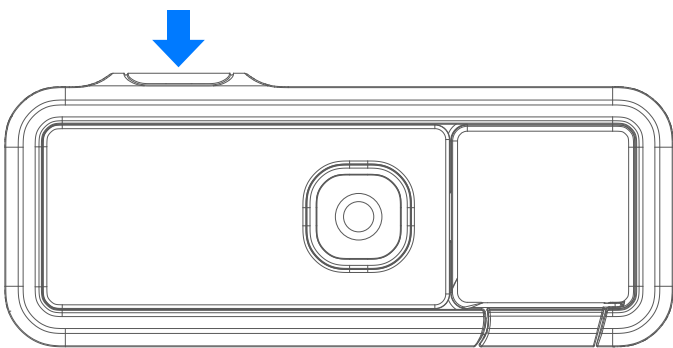


- Start video recording by pressing the shutter button once.
- Status LED will blink slowly in red to indicate that the video is recording.
- Press the shutter button again to stop video recording.
- The maximum video length is 10 minutes.

MULTI MODE

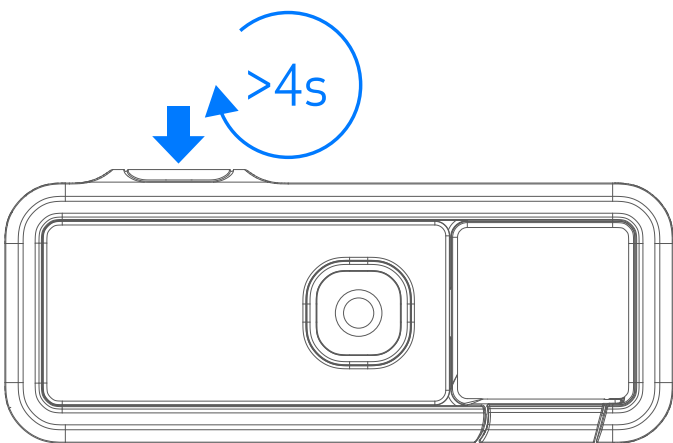


You can either capture photo or record video using different shutter operation.



PHOTO

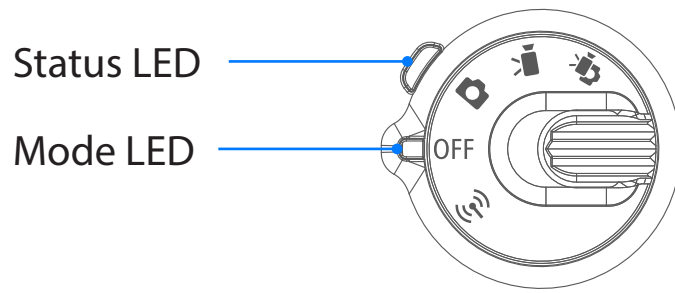
- Press the Shutter Button once to capture a photo.
- Continuous photo capture is not available in Multi Mode.



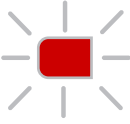





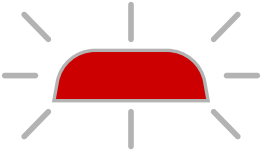





VIDEO

- Press and hold the Shutter Button for at least 4 seconds to start video recording.
- Video recording will start after a single photo is captured. Keep holding the Shutter Button to continue recording video.
- Video recording will stop once you release the Shutter Button. Maximum video length is 10 minutes.

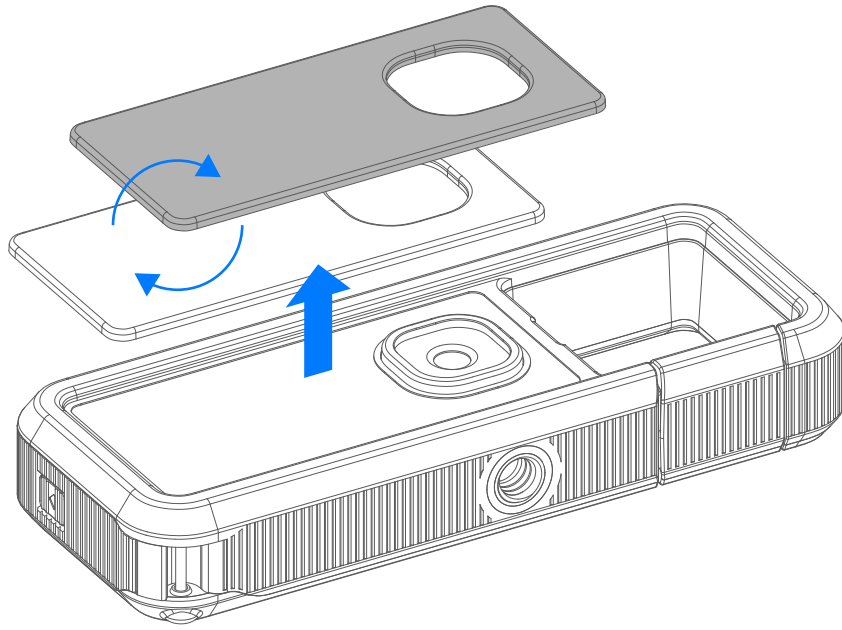
LED INDICATIONS



Status	Mode LED	Status LED
Powered On & Standby (Photo/Video/Multi/ Wireless Modes)	 Green	
Powered Off/ Auto-Power off	 Off	
Low Battery	 Red (Blink rapidly)	
Charging	 Red	
Fully charged	 Green	
Bluetooth® pairing		 Green > Red (Looping)
Wi-Fi® connected		 Green
Photo captured and saved		 Red (Blink once)
Video recording		 Red (Blink slowly)
Mass Storage mode		 Green
Data transferring under Mass Storage mode		 Green (Blink rapidly)
Firmware updating		 Green (Blink slowly)

ACCESSORY

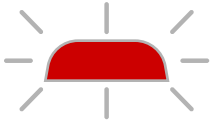
DETACHABLE FACEPLATE



The device has a detachable faceplate. Gently lift up the detachable faceplate to remove it. Customize the device by changing the faceplate. *

* Additional faceplates are sold separately.

TROUBLESHOOTING



When the status LED blinking in red rapidly, it may related to the below reasons.

Error	Actions
Device does not work	<ul style="list-style-type: none">• Make sure the battery level is not too low. If it is, recharge the device• Press the reset button for 10s to restart if the device is unresponsive• Make sure the MicroSD card is inserted without card error• Make sure the firmware is up to date or successfully upgraded. If not, please re-install the firmware upgrade
MicroSD Card Error	<ul style="list-style-type: none">• Check if the MicroSD card is inserted properly• Check if the MicroSD card is full• Check if the MicroSD card is corrupted• Check if the MicroSD card is compatible
Overheating	<ul style="list-style-type: none">• Wait until the device temperature returns to normal, the device will resume working again
Lost Connection	<ul style="list-style-type: none">• Make sure the smartphone Bluetooth® / Wi-Fi® connection is properly set up• Make sure selection of device on the App is correct• Make sure smartphone OS is compatible and up to date
Remote Control Failed	<ul style="list-style-type: none">• Make sure the device is connected with the App• Make sure the App and firmware are up to date

SPECIFICATIONS

Photo Resolution	Approx. 13MP	
Video Resolution	1080p 60fps 1080p 30fps 720p 30fps (Supports Live View recording)	
Video Format	MPEG-4	
Zoom	Fixed	
Focal Length (35mm film equivalent)	25.4 mm	
Aperture	f/2.2	
Focusing Range	50 cm - ∞	
Sensitivity	Auto (ISO 100 - 3200)	
White Balance	Auto	
Exposure Adjustment	Auto	
Electronic Image Stabilization (EIS)	Yes	
Memory Card	MicroSD / MicroSDHC / MicroSDXC Memory Cards, up to 256GB	
Microphone	Mono	
Power Source	Built-in Rechargeable lithium polymer Battery, 660mAh, 3.8V	
Charging Speed	Approximately 180 minutes (Full Charge)	
Shooting capacity	Photo Shooting	Approx. 1000 shots
	Video Recording Time (CIPA compliant)	Approx. 60 mins
Power Adapter	Output current: 1A (min) Voltage: 5V	
Environment Parameters	Operating Temperature: 14 °F to 104 °F (-10 °C to 40 °C) Recommended Operating, Charging and Storage Temperature: 59 °F to 90 °F (15 °C to 32 °C)	
Automatically Power-Off	3 mins / 5 mins / 10 mins (selectable in-app)	
Dimension	4.4" (W) x 1.8" (H) x 0.7" (D) 110.5 mm (W) x 45.2 mm (H) x 18.5 mm (D)	
Weight	Approx. 3 oz Approx. 90 g	
Compatible OS (for computer)	Windows 7 / 8 / 8.1 / 10 ; Mac OSX 10.10-10.14	
Connectivity	Bluetooth® 4.2 Wireless IEEE 802.11 b/g/n	
GPS (Synchronize via App under Wireless mode)	Yes	
Compatible OS	iOS 11 or above & Android 5.1 or above	
Mobile Application	Canon Mini Cam	
Connection for Charging and Data Transfer	USB 2.0 (Micro USB)	

All specifications are subject to change without notice



If the device is not functioning properly, please contact the dealer you purchased this product from or Canon Service & Support at www.usa.canon.com/support

LICENSE NOTICE

THIS PRODUCT IS LICENSED UNDER THE AVC PATENT PORTFOLIO LICENSE FOR THE PERSONAL USE OF A CONSUMER OR OTHER USES IN WHICH IT DOES NOT RECEIVE REMUNERATION TO (i) ENCODE VIDEO IN COMPLIANCE WITH THE AVC STANDARD ("AVC VIDEO") AND/OR (ii) DECODE AVC VIDEO THAT WAS ENCODED BY A CONSUMER ENGAGED IN A PERSONAL ACTIVITY AND/OR WAS OBTAINED FROM A VIDEO PROVIDER LICENSED TO PROVIDE AVC VIDEO. NO LICENSE IS GRANTED OR SHALL BE IMPLIED FOR ANY OTHER USE. ADDITIONAL INFORMATION MAY BE OBTAINED FROM MPEG LA, L.L.C. SEE [HTTP://WWW.MPEGLA.COM](http://WWW.MPEGLA.COM)

FCC REGULATIONS

This device complies with Part 15 of the FCC Rules. Operation is subject to the following two conditions: (1) this device may not cause harmful interference, and (2) this device must accept any interference received, including interference that may cause undesired operation.

Canon U.S.A., Inc. Canon is a registered trademark of Canon Inc. in the United States and may be a registered trademark, or trademark, in other countries. IVY is a trademark of Canon U.S.A., Inc. in the United States. Apple, the Apple logo, iPad, iPad Air, iPad Pro, and iPhone are trademarks of Apple Inc., registered in the United States and other countries. App Store is a service mark of Apple Inc. iOS is a trademark or registered trademark of Cisco in the United States and other countries and is used under license. Android, Google Play and the Google Play logo are trademarks of Google LLC. Bluetooth is a registered trademark of Bluetooth SIG. Wi-Fi is a registered trademark of the Wi-Fi Alliance. All other third-party product names, brand names and logos are trademarks of their respective owners.