

Owner's Manual
Instrukcja obsługi
Návod k použití
Navodila za uporabo
Használati útmutató
Upute za upotrebu

Instrucțiune de deservire
Инструкция за употреба
Οδηγίες χρήσης
Kasutusjuhend
Naudojimo instrukcijos
Užívateľská príručka



Enjoy it.

Party speaker system

Important Safety Instructions



CAUTION



RISK OF ELECTRIC SHOCK DO NOT OPEN

Caution:

To reduce the risk of electric shock, do not remove cover (or back). No user serviceable parts inside. Refer servicing to qualified service personnel.

Explanation of Graphical Symbols:



The lightning flash within an equilateral triangle is intended to alert you to the presence of uninsulated dangerous voltage within the product's enclosure that may be of sufficient magnitude to constitute an electric shock to a person or persons.



The exclamation point within an equilateral triangle is intended to alert you to the presence of important operating and maintenance (servicing) instructions in the literature accompanying the product.

To achieve the utmost in enjoyment and performance, and in order to become familiar with its features, please read this manual carefully before attempting to operate this product. This will assure you years of trouble free performance and listening pleasure.

Important Notes

- This safety and operating instruction should be retained for future reference.
- The apparatus should not be exposed to dripping or splashing or placed in a humid atmosphere such as a bathroom.
- Do not install the product in the following areas:
- Places exposed to direct sunlight or close to radiators.
- On top of other stereo equipment that radiate too much heat.
- Blocking ventilation or in a dusty area.
- Areas where there is constant vibration.
- Humid or moist places.
- Do not place near candles or other naked flames.
- Operate the product only as instructed in this manual.
- Before turning on the power for the first time, make sure the power adaptor is properly connected.
- Plug-in the USB stick directly or use a USB-extension cable which is not longer than 25 cm.

For safety reasons, do not remove any covers or attempt to gain access to the inside of the product. Refer any servicing to qualified personnel.

Do not attempt to remove any screws, or open the casing of the unit; there are no user serviceable parts inside. Refer all servicing to qualified service personnel.

SAFETY INSTRUCTIONS

1. Read Instructions - All the safety and operating instructions must be read before the product is operated.
2. Retain Instructions - The safety and operating instructions should be kept with the product for future reference.
3. Heed warnings - All warnings on the product and in the operating instructions should be adhered to.
4. Follow instructions - All operating and users' instructions should be followed.
5. Installation - Install in accordance with the manufacturer's instructions.
6. Power sources - This product should be operated only from the type of power source indicated by the marking adjacent to the power cord entry. If you are not sure of the type of power supply to your home, consult your product dealer or local power company.
7. Grounding or polarization - the product is not required to be grounded. Ensure that the plug is fully inserted into the wall outlet or extension cord receptacle to prevent blade or pin exposure. Some versions of the product are equipped with a power cord fitted with a polarized alternating line plug (a plug having one blade wider than the other). This plug will fit onto the power outlet only one way. This is a safety feature. If you are unable to insert the plug fully into the outlet, try reversing the plug. If the plug should still fail to fit, contact your electrician to replace your obsolete outlet. Do not defeat the safety purpose of the polarized plug. When using an extension power-supply cord or a power-supply cord other than that supplied with the appliance, it should be fitted with the appropriate molded plugs and carry safety approval appropriate to the country of use.
8. Power cord protection - Power-supply cords should be routed so that they are not likely to be walked on, kinked or pinched by items placed on or against them, paying particular attention to cords from plugs, receptacles and the point where they exit from the product.
9. Overloading - Do not overload wall outlets, extension cords, or multiple sockets, as this can result in a risk of fire or electric shock.
10. Ventilation - The product must be properly ventilated. Do not place the product on a bed, sofa, or other similar surface. Do not cover the product with any items such as tablecloths, newspapers, etc.
11. Heat - The product should be situated away from heat sources such as radiators, heat registers, stoves, or other products, including amplifiers that produce heat. No naked flame sources, such as lighted candles, should be placed on the apparatus.
12. Water and moisture - To reduce the risk of fire or electric shock, do not expose the product to rain, dripping, splashing or excessive moisture such as in a sauna or bathroom. Do not use this product near water, for example, near a bathtub, washbowl, kitchen sink, laundry tub, in a wet basement or near a swimming pool (or similar).

13. Object and Liquid Entry - Never push objects of any kind into this product through openings, as they may touch dangerous voltage points or short-circuit parts that could result in a fire or electric shock. Never spill liquid of any kind on the product. Do not place any object containing liquid on top of the product.
14. Cleaning - Unplug the product from the wall outlet before cleaning. Dust in the woofer may be cleaned with a dry cloth. If you wish to use an aerosol cleaning spray, do not spray directly on the cabinet; spray onto the cloth. Be careful not to damage the drive units.
15. Attachments - Do not use attachments not recommended by the product manufacturer, as they may cause hazards.
16. Accessories - Do not place this product on an unstable cart, stand, tripod, bracket or table. The product may fall, causing serious injury to a child or adult, and serious damage to the product. Use only with a cart, stand, tripod, bracket or table recommended by the manufacturer or sold with the product. Any mounting of the product should follow the manufacturer's instructions and should use a mounting accessory recommended by the manufacturer.
17. Moving the product - A product and cart combination should be moved with care. Quick stops, excessive force and uneven surfaces may cause the product and cart combination to overturn.
18. Unused periods - The power cord of the appliance should be unplugged from the outlet during lightning storms or when the apparatus is left unused for a long period of time.
19. Servicing - Do not attempt to service this product yourself, as opening or removing covers may expose you to dangerous voltage or other hazards. Refer all servicing to qualified service personnel.
20. Please remove the power plug from the main power source or wall power source when not in use. When plugged in to a power source, the system is in standby mode, so the power is not entirely cut off.
21. Replacement parts - When replacement parts are required, ensure that the service technician has used replacement parts specified by the manufacturer or have the same characteristics as the original part. Unauthorized substitutions may result in fire, electric shock or other hazards.
22. Mains fuses - For continued protection against fire hazard, use fuses only of the correct type and rating. The correct fuse specification for each voltage range is marked on the product.
23. Do not turn up the volume while listening to a section with very low level inputs or no audio signals. If you do, the speaker may be damaged when a peak level section is suddenly played.
24. The only means of completely disconnecting the product from the power supply is by removing the power cord from the wall outlet or the product. The wall outlet or the power cord entry to the product must remain freely accessible at all times while the product is in use.
25. Try to install the product near a wall socket or extension cord and shall be easily accessible.
26. The highest environmental temperature suitable for this product is 35°C.
27. ESD hints - If the product maybe reset or not reset to operation of control due to electrostatic discharge, just switch off and reconnect again, or move the product to another location.
28. Battery
 - a. The batteries must not be exposed to excessive heat such as sunshine, fire or the like.
 - b. The batteries should be drawn to the environmental aspects of battery disposal.
 - c. Battery usage CAUTION-to prevent battery leakage which may result in body injuries, property damage, or damage to the apparatus:
 - . Install all batteries correctly, + and – as marked on the apparatus.
 - . Do not mix batteries (old and new or carbon and alkaline, etc.)
 - . Remove batteries when the unit is not used for a long time.

ERP2 (Energy Related Products) note

This product with ecodesign complies with the stage 2 requirements of Commission Regulation (EC) NO. 1275/2008 implementing Directive 2009/125/EC regard to standby and off mode electric power consumption of electronic household and office equipment. After 15 minutes without any audio input, the device will automatically switch into standby mode. Follow up the instruction manual to resume the operation.

Important note:

This device is equipped with an energy saving mode: if no signal is given during 15 minutes the device will switch automatically into standby mode in order to save energy (ERP 2 standard). Please note that low volume setting in the audio source may be recognized as "no audio signal": this will affect the capability of signal detection from the device and can also originate an automatic switch into standby mode. If this happens please reactivate the audio signal transmission or increase the volume setting on the audio source player (MP3 player, etc.), in order to resume playback. Please contact the local service center if the problem remains.

WARNING

This appliance is not intended for use by persons (including children) with reduced physical sensory or mental capabilities, or lack of experience and knowledge, unless they have been given supervision or instruction concerning use of the appliance by a person responsible for their safety. Children should be supervised to ensure that they do not play with the appliance.

1. Never use the device unsupervised! Switch off the device whenever you are not using it, even if this only for a short while.
2. The appliance is not intended to be operated by means of an external timer or separate remote control system.
3. If the supply cord is damaged, it must be replaced by the manufacturer, its service agent or similarly qualified persons in order to avoid a hazard.
4. Before operating this system, check the voltage of this system to see if it is identical to the voltage of your local power supply.

5. The unit should not be impeded by covering the ventilation opening with items such as newspaper, table-cloths, curtains etc. Make sure that there are at least 20 cm of space above and at least 5 cm of space on each side of the unit.
6. The apparatus must not be exposed to dripping or splashing and that objects filled with liquids, such as vases, must not be placed on the apparatus.
7. To prevent fire or shock hazard, do not expose this equipment to hot places, rain, moisture or dust.
8. Do not locate this unit near any water sources e.g. taps, bathtubs, washing machines or swimming pools. Ensure that you place the unit on a dry, stable surface.
9. Do not place this unit close to a strong magnetic field.
10. Do not place the unit on an amplifier or receiver.
11. Do not place this unit in a damp area as the moisture will affect the life of electric components.
12. If the system is brought directly from a cold to a warm location, or is placed in a very damp room, moisture may condense on the lens inside the player. If this occurs, the system will not operate properly. Please leave the system turned on for about an hour until the moisture evaporates.
13. Do not attempt to clean the unit with chemical solvents as this might damage the finish. Wipe with a clean, dry or slightly damp cloth.
14. When removing the power plug from the wall outlet, always pull directly on the plug, never pull on the cord.
15. Depending on the electromagnetic waves used by a television broadcast, if a TV is turned on near this unit while it is also on, lines might appear on the TV screen. Neither this unit nor the TV is malfunctioning. If you see such lines, keep this unit well away from the TV set.
16. The mains plug is used as the disconnect device, the disconnect device must remain readily operable.
17. To prevent possible hearing damage, do not listen at high volume levels for long periods.



NOTICE



Hereby, Blaupunkt Competence Center 2N-Everpol Sp. z o.o., declares that this equipment is in compliance with the essential requirement and other relevant provisions of Directive 2014/53/EU. Declaration of conformity can be obtained from the product page at www.blaupunkt.com.

Responsible party: 2N-Everpol Sp. z o.o., Puławska 403A, 02-801 Warsaw, Poland, Phone: +48 22 331 99 59, E-mail:

info@everpol.pl



Your products is designed a manufactured with high quality materials and components, which can be recycled and reused.



When this crossed-out wheeled bin symbol is attached to a product it means that the product is covered by the European Directive 2012/19/EU. Please inform yourself about the local separate collection system for electrical and electronic products. Please act according to your local rules and do not dispose of your old products with your normal household waste. Correct disposal of your old product helps to prevent potential negative consequences for the environment and human health.



Your product contains batteries covered by the European Directive 2006/66/EC, which cannot be disposed with normal household waste. Please inform yourself about the local rules on separate collection of batteries because correct disposal helps to prevent negative consequences for the environmental and human health.

Environmental information

All unnecessary packaging has been omitted. We have tried to make the packaging easy to separate into three materials: cardboard (box), polystyrene foam (buffer) and poly ethylene (bags, protective foam sheet). Your system consists of material which can be recycled and reused if disassembled by a specialized company. Please observe the local regulations regarding the disposal of packaging materials, exhausted batteries and old equipment.

Recording and playback of material might require consent. See Copyright Act 1956 and The Performer's Protection Acts 1958 to 1972.

- | | |
|--|---|
| 1- Power button; | 2-Disco light button; |
| 3,5,14,15- FM/LINE IN/Bluetooth/USB/SD button; | 4-Random on/off button; |
| 6,20-Volume +/- button; | 7,16- FF-/ + button; |
| 8,18-Previous & next, Channel +/- button; | 9-Repeat button (repeat one/repeat all/off); |
| 10,11,21,22,23,25-EQ(Jazz/POP/Classic/Flat/Rock/Country) | |
| 12-Reset button; | 13-Mute button; |
| 17-Play/pause button; | 19-Search button; |
| 24- Pairing button; | 26-Stop; |

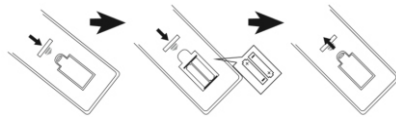
Power connection: Please check if the power source is correspond to the rating voltage spec which locates on the rear panel of unit. If it does not match, please consult to your dealer or service center. Insert the female terminal of power cord into the AC outlet, and then connect the power plug with the wall-mount socket in order to get the power source.



Battery power charging: the unit built-in rechargeable battery which allow to playback the music without AC power connection. When the battery is charging, the charging LED will show in red color which locates at the left top corner of display. The charging LED will turn to green after fully charged. The battery will be also charged even you power off the unit but with available AC power source. The charging time of battery is 6~8hours, and 3~4hours for playback time depends on the playing volume level. The unit will standby off automatically in case of lower battery power; please recharge for playback. There have a battery symbol which locates at the right bottom of display text, we suggest to start battery recharging when only one block show on the battery symbol.

Remote control battery installation

Open up the battery door and insert 2 x AAA dry battery(include) into the compartment; please make sure the polarity of battery will aim and correspond to the positive and negative silkscreen-printed symbol in the compartment. Then close the battery door.



Notes:

- The best working distance of remote control is within 5 meters without any obstacle in between. Please aim to the remote control sensor locates on the front of unit during operation.
- The sensitivity of remote control will become weak when the battery power exhausted. Please replace it with fresh one for operation.
- Please take out the battery in case of none-operation in a long time.
- Please dispose the battery in an environment friendly way. Please reference the local government requirement for the detail.

General operation

- Power on/off:** Switch the power selector which locates on the top panel to power on or off the speaker; press the power button from remote control to standby on or off the unit; We suggest to power off the unit completely in case of no operation in a long time..
- Play source selection:** Press the mode button on the top panel, or press FM, BT, LINE, USB/SD button from remote control can switch the play source between FM/Bluetooth/Line in/USB/SD.

- 3. Volume adjustment:** Turn the main volume knob on the top panel, or press VOL +/- button from remote control can increase or decrease the output volume level. The VOL +/- button on remote controller is major use for small step volume level adjustment. The max volume is limited by setting of main volume knob. In case of the remote controller is lost, and the output volume is too small, please power off and on the unit again, then the volume setting will reset.
- 4. Treble & bass adjustment:** rotate the treble and bass knob on the top panel can adjust the output sound level.
- 5. Sound silence:** press the MUTE from top panel or remote control can make the sound in silence; press it again to resume the sound output.
- 6. Preset EQ:** press the relative button from remote control can switch the EQ between Jazz/Classic/Flat/POP/ROCK/Country(available in USB/SD mode only).
- 7. Play/pause:** press the button to pause the music, and press it again to resume the playback in Bluetooth/USB mode.
- 8. Repeat & Random:** press the button to switch the music playback in repeat one/repeat all/off mode; press random button for random on/off playback in USB/SD mode.
- 9. Disco light:** press the light button repeatedly can switch the disco light between 8 type effect, and turn off light.
- 10. Reset:** press the reset button from remote control to set up the unit in factory default mode.
- 11. Super bass:** push the super bass control pin can enhance the bass for sound output.

FM radio operation

Before start the FM radio listening, please try to move the unit next to the window or other location in order to better FM reception. Insert the included FM wire antenna into the FM antenna socket which locates on rear panel of unit, and full extent the antenna for reception.

- 1. Auto scan and preset radio station (All-in-one):** short press the play/pause button on top panel, or press the search button from remote control to auto scan and save the available radio station. The unit will auto play the first preset station after finished scanning. (max supported preset station:40)
- 2. Preset station picking up:** in radio mode, press the next/previous button on top panel or remote control to pick up and play the last and next preset station.
- 3. Manual tune:** short press the FF +/- button from remote control to adjust the station frequency as per 0.1MHz; press and hold the previous/next button 2 seconds to scan the available station in upward or downward frequency, and auto play the station.

USB/SD playback operation

The product includes USB/SD playback function which can decode and playback the music from a USB/SD storage device. Before start the operation, please copy the MP3/WMA format music into the device; and insert the device into the unit first, because the USB/SD mode is only available when the device was plugged on unit successfully. Then the unit will detect and play the inside MP3/WMA music automatically.

Track selection: short press the next/previous button to select next and previous track; press and hold the button for fast-forwarding and rewinding the playing music, and resume to normal playback after release the button.

In USB/SD mode, you can achieve the play/pause, mute, repeat, EQ, treble/bass stop function etc. Please reference the operation from the general operation part on this manual.

Notes:

- a. Connect the USB stick by a USB extension cable for playback is not recommended which may produce noise or intermittent sound due to audio data loss during transfer.
- b. Decode and playback all MP3/WMA format music is not guaranteed.
- c. The max supported storage device is 32GB.
- d. Some different device and brand may take a little long time to playback; please kindly note this is not mal-function.

Bluetooth operation

This product includes Bluetooth function which can wireless playback This music from other Bluetooth device (like smart phone, tablet etc).

1. Press the mode button repeatedly to enter Bluetooth mode, and the Bluetooth symbol will flare on display which means the unit is ready to pair.
2. Enable the Bluetooth function on your device, and search the available device (please reference your device manual for operation), then check the available Bluetooth device on the list. Select "BP PS11DB" for pairing, and the Bluetooth symbol will stable on display after paired successful.
3. Select and play the music from your Bluetooth device, then the sound will come out from the speaker
4. Press the previous/next button can select last and next track during playing.
5. In Bluetooth mode, you can achieve play/pause, mute, treble and bass adjustment etc. function. Please reference the operation from the general operation part on this manual.

Notices:

- a. All Bluetooth devices are not guaranteed for pairing successfully due to different design and brand.
- b. The best working distance of Bluetooth is within 10 meters without any obstacle in between.
- c. The unit only can pair and work with one Bluetooth device in one time.
- d. In case of an incoming phone call during Bluetooth playback; the music will stop temporary, and resume to playback after end the phone call.
- e. Press the pairing button from remote control can quit the current Bluetooth device connect and start pair with other device.

Line in/AUX IN/MP3 link operation

In order to wire connection and playback the music with other player or amplifier, please follow up below operation.

Using the audio cable (include) connect the AUX IN jack on the top panel of unit, and the another terminal connect with line-out or headphone jack of outsourcing player like MP3, CD, DVD, Mixer etc. audio device. Select the music and play it on the outsourcing player, then the sound will output from the speaker.

In line-in playback mode, the main control is on the outsourcing player side. But you also can control the volume, mute the sound and adjust treble & bass etc. on the speaker side.

Line out: using the audio cable(include) connect the LINE OUT jack on the top panel, and the other terminal connect with AUX IN jack of outsourcing active speaker. Select and play the music on party speaker side, then there will have sound output both on the party speaker and outsourcing active speaker.

Karaoke

Open the battery door of wireless microphone(include), insert 2pcs AA size dry battery (not include) according to the engraved positive and negative polarity symbol inside of the battery compartment, then close the battery door of microphone. Push the switch to on position in order to power on the microphone, The speaker will pair with the wireless microphone automatically after a few seconds. Adjust the microphone output volume level properly on top panel, then we can start to sing. The unit also includes dual wired microphone input jack, plug on the wired microphone(not include) into the 6.5mm jack, then turn on the microphone for singing.

Tips:

- When you are using the microphone for Karaoke function, you can adjust the microphone output volume/ treble/bass/echo setting by turn the relative knob on top panel.
- There may have a big noise come out from speaker when you adjust volume/treble/bass/echo to high level due to overloading and distortion on microphone. This is not mal-function. So please turn and increase these settings slowly, and turn it back or turn off microphone for retrying in case of such big noise faced.
- You can use the karaoke function and listen the music at same time; in case that you need increase the Karaoke volume and decrease the background music, you can try to adjust the separate microphone volume and main volume knob.
- Please turn off the microphone when you put it next to speaker, otherwise there will cause huge noise.
- There have a mute switch on the wireless microphone which can make the microphone output in silence in case of you selected.

Trouble shooting

- The speaker cannot turn on.
 - Please check if the power connection is correct.
- No sound output.
 - Please try to adjust the volume knob, and check the play source.
 - please contact service center for support if the issue remained.
- Sound distortion.
 - Please try to adjust and play the music at a lower volume level.
 - Check the status of treble/bass setting.
- Background noise on FM station.
 - Try to move the unit in other place for better reception.
 - Scan and switch to other station for listening.
 - Try to extent the FM antenna and adjust the direction.

Specification

Power source: AC 110-240V, 50/60 Hz.

DC battery power: 18V/4.5AH

FM frequency: 87.5-108.0 MHz.

USB rating: 5V, 500mA, 2.0 versions, supported up to 32GB storage device.

SD card: supported up to 32GB storage device.

USB/SD card support music format: MP3, WMA(not guarantee all such file)

Bluetooth: V2.1+EDR, within 10 meters for operation.

RMS output power: 2 x 45W.

Treble & bass adjustment: -9dB~+9dB.

Microphone: 2 x 6.5cm input, wired microphone connection.

2 x wireless microphone(Frequency: 208.8MHz,215MHz,power source: 2 x 1.5V,AA)

Power consumption: 90W

Standby power consumption: <0.5W.

(The above spec may update without priority notice.)

Ważne instrukcje dotyczące bezpieczeństwa



PRZESTROGA



ZAGROŻENIE PORAZIENIEM ELEKTRYCZNYM
NIE OTWIERAĆ

Przeostroga:

Aby zmniejszyć ryzyko porażenia prądem, nie wolno demontować pokrywy ani tylnej części urządzenia. Wewnątrz urządzenia nie znajdują się elementy przeznaczone do samodzielnej naprawy przez użytkownika. Konserwacją i naprawą sprzętu zajmują się wyłącznie wykwalifikowani pracownicy serwisu.

Objaśnienie symboli graficznych:



Symbol błyskawicy zakończony strzałką umieszczonej w trójkącie równobocznym ostrzega użytkownika przed nieizolowanym „niebezpiecznym napięciem” w obrębie obudowy urządzenia, które może osiągnąć wielkość grożącą porażeniem prądem elektrycznym.



Znak wykrzyknika w trójkącie równobocznym ostrzega użytkownika, że w tym momencie przedstawione są ważne informacje dotyczące obsługi i konserwacji sprzętu w dokumentacji, dołączonej do urządzenia.

Prosimy o przeczytanie tej instrukcji przed przystąpieniem do obsługi urządzenia, aby zapoznać się z jego funkcjami i wykorzystać je zgodnie z przeznaczeniem. Zapewni to długotrwałą, bezawaryjną obsługę urządzenia i przyjemność z użytkowania.

Ważne informacje

- Należy zachować instrukcję obsługi oraz informacje dotyczące bezpieczeństwa w celu wykorzystania ich w przyszłości.
- Nie należy dopuszczać do tego, aby na urządzenie kapala lub wylewała się ciecz. Nie wolno też używać go w wilgotnych miejscach, jak np. łazienka.
- Nie wolno instalować tego urządzenia w następujących miejscach:
 - Wystawionych na bezpośrednie działanie promieni słonecznych lub w pobliżu grzejników.
 - Kłaść go na wierzchu innego sprzętu stereofonicznego który wydziela ciepło.
 - Blokując wentylację lub w zapyłonym miejscu.
 - W miejscach narażonych na ciągłe drgania.
 - W miejscach o wysokiej wilgotności.
- Nie wolno stawiać urządzenia w pobliżu świec lub otwartego ognia.
- Urządzenia można używać wyłącznie w sposób opisany w niniejszej instrukcji.
- Przed pierwszym włączeniem zasilania należy upewnić się, że zasilacz został prawidłowo podłączony.
- Pamięć USB podłącza się bezpośrednio lub przy użyciu przedłużacza USB o długości do 25 cm

Ze względów bezpieczeństwa nie należy demontować obudów ani uzyskiwać dostępu do wnętrza urządzenia. Urządzenie powinno być naprawiane przez wykwalifikowany personel serwisu.

Nie wolno rozkręcać urządzenia ani otwierać jego obudowy, gdyż wewnątrz nie ma żadnych części, które mogłyby być naprawiane przez użytkownika. Konserwacją i naprawą sprzętu zajmują się wyłącznie wykwalifikowani pracownicy serwisu.

INSTRUKCJE DOTYCZĄCE BEZPIECZEŃSTWA

- Przeczytać instrukcję — przed korzystaniem z urządzenia należy przeczytać całość instrukcji obsługi oraz informacje o bezpieczeństwie.
- Zachować instrukcje — należy zachować instrukcje użytkowania i obsługi w celu wykorzystania ich w przyszłości.
- Przestrzegać ostrzeżeń — należy postępować zgodnie z wszystkimi ostrzeżeniami zamieszczonymi na urządzeniu oraz zgodnie z instrukcją obsługi.
- Przestrzegać instrukcji — należy postępować zgodnie z instrukcją obsługi oraz wskazówkami dla użytkownika.
- Instalacja — należy ustawić urządzenie zgodnie z instrukcjami producenta.
- Źródła zasilania – urządzenie powinno być zasilane wyłącznie ze źródeł o parametrach podanych na oznaczeniach na kablu zasilania. Jeżeli użytkownik nie jest pewien, jakiego rodzaju zasilaniem dysponuje w domu, powinien skontaktować się ze sprzedawcą urządzenia lub lokalnym dostawcą energii elektrycznej.
- Uziemienie lub polaryzacja zasilania — urządzenie nie musi być uziemione. Należy upewnić się, że wtyczka jest do końca włożona do gniazdka sieciowego lub przedłużacza, aby nie dopuścić do odslonięcia bolców lub styków. Niektóre wersje urządzenia mogą być wyposażone w spolaryzowaną wtyczkę prądu przemiennego (z jednym bolcem szerszym). Tę wtyczkę można włożyć do gniazdka sieciowego tylko w jeden sposób. Jest to funkcja zabezpieczająca. Jeśli nie można włożyć wtyczki do gniazdka, należy spróbować ją odwrócić. Jeśli wtyczka nadal nie pasuje do gniazdka, należy zlecić elektrykowi jego wymianę. Nie wolno zdejmować z zabezpieczeń z wtyczki spolaryzowanej. Gdy korzysta się z przedłużacza lub kabla zasilania innego niż dostarczony razem z urządzeniem, powinny mieć właściwe wtyczki oraz atest bezpieczeństwa wymagany w danym kraju.
- Zabezpieczenie kabla zasilania — kable zasilania należy poprowadzić w taki sposób, aby nie można było po nich chodzić, przycisnąć lub przyciąć postawionymi przedmiotami. Zwrócić szczególną uwagę na wtyczki, gniazdka sieciowe i miejsca, w którym kable są wyprowadzone z urządzenia.
- Przeciążenie — nie wolno przeciążać gniazdek ściennych, przedłużaczy i rozdzielaczy elektrycznych, ponieważ grozi to wybuchem pożaru lub porażeniem prądem elektrycznym.
- Wentylacja — urządzenie musi być poprawnie wentylowane. Nie wolno ustawiać urządzenia na łóżku, sofie lub podobnych powierzchniach. Nie wolno przykrywać urządzenia obrusami, serwetkami, gazetami itd.

11. Ciepło — nie ustawiać urządzenia w pobliżu źródeł ciepła, takich jak grzejniki, promienniki, piece lub innych urządzeń (również wzmacniacze) wytwarzających ciepło. Nie stawiać na urządzeniu zapalonych świecy i innych źródeł otwartego ognia.
12. Woda i wilgoć — aby zmniejszyć zagrożenie pożarem lub porażeniem elektrycznym, nie wolno narażać urządzenia na bezpośrednie działanie deszczu, wody i wilgoci, jak np. w saunie czy w łazience. Nie używać niniejszego urządzenia w pobliżu wody, na przykład obok wanny, umywalki, zlewu kuchennego lub balii, w wilgotnej piwnicy lub w pobliżu basenu (lub w podobnych miejscach).
13. Przedmioty i ciecz w urządzeniu — nie należy wciskać jakichkolwiek przedmiotów przez otwory urządzenia, ponieważ mogą one zetknąć się z punktami niebezpiecznego napięcia i podzielić pożar lub porażenie prądem. Pod żadnym pozorem nie należy rozlewać jakichkolwiek cieczy na powierzchni urządzenia. Nie wolno kłaść na wierzchu urządzenia przedmiotów zawierających ciecz.
14. Czyszczenie — należy zawsze odłączyć urządzenie od gniazdka sieciowego przed czyszczeniem. Kurz dookoła głośnika można usunąć suchą szmatką. Jeśli do czyszczenia ma być użyty aerozol, nie należy kierować rozpylanego strumienia bezpośrednio na urządzenie, ale na szmatkę. Należy uważać, aby nie uszkodzić jednostek napędowych.
15. Wyposażenie dodatkowe — nie wolno używać akcesoriów, które nie są dopuszczone przez producenta, gdyż mogą stwarzać zagrożenie.
16. Akcesoria — nie wolno ustawiać urządzenia na niestabilnym wózku, stojaku, statywie, wsporniku czy stole. Urządzenie może ulec przewróceniu i uszkodzeniu oraz spowodować poważne obrażenia u dziecka lub osoby dorosłej. Należy używać wyłącznie wózków, stojaków, statywów, wsporników i stołów określonych przez producenta albo sprzedawanych wraz z urządzeniem. Montaż urządzenia należy przeprowadzać zgodnie z instrukcjami producenta, przy użyciu zestawu montażowego zalecanego przez producenta.
17. Przenoszenie urządzenia — urządzenie umieszczone na wózku należy przesuwać bardzo ostrożnie. Gwałtowne zatrzymanie, zbyt duża siła lub nierówne powierzchnie mogą spowodować przewrócenie wózka wraz z urządzeniem.
18. Okres nieużywania urządzenia — kabel zasilania urządzenia należy odłączyć od gniazdka sieciowego w trakcie burz z wyładowaniami atmosferycznymi lub gdy urządzenie nie będzie używane przez dłuższy czas.
19. Serwisowanie — nie należy próbować własnoręcznie przeglądać urządzenia. Otwieranie pokrywy może spowodować kontakt z niebezpiecznym napięciem i narazić użytkownika na inne niebezpieczeństwa. Konserwacją i naprawą sprzętu zajmują się wyłącznie wykwalifikowani pracownicy serwisu.
20. Gdy urządzenie nie jest używane, należy odłączyć jego wtyczkę zasilania od gniazdka sieciowego. Gdy urządzenie jest podłączone do źródła zasilania, znajduje się w trybie czuwania i nie jest całkowicie wyłączone.
21. Części zamienne — przy wymianie części należy sprawdzić, czy pracownik serwisu użył części zamiennych zalecanych przez producenta lub też czy części są identyczne jak część oryginalna. Dokonywanie wymiany na niezatwierdzone części grozi wybuchem pożaru, porażeniem prądem elektrycznym lub innymi niebezpieczeństwami.
22. Główne bezpieczniki — aby zabezpieczyć w sposób ciągły urządzenie przed pożarem, należy używać bezpieczników właściwego typu i parametrów. Parametry bezpieczników w danym zakresie napięcia są zaznaczone na urządzeniu.
23. Nie wolno zwiększać głośności przy słuchaniu części utworu o małej głośności lub przy braku wejściowego sygnału audio. W innym wypadku może dojść do uszkodzenia głośnika przy gwałtownym wzroście natężenia sygnału.
24. Jedynym sposobem całkowitego odłączenia urządzenia od źródła zasilania jest odłączenie kabla zasilania z gniazdka zasilania lub z urządzenia. Gniazdko sieciowe lub wejście kabla zasilania do urządzenia muszą być zawsze dostępne w trakcie używania produktu.
25. Urządzenie powinno się ustawić w pobliżu gniazdka sieciowego lub przedłużacza i w taki sposób, aby zawsze było dostępne.
26. Maksymalna temperatura otoczenia urządzenia wynosi 35°C.
27. Wskazówki dotyczące wyładowań elektrostatycznych — jeśli działanie urządzenia jest zakłócone wyładowaniami elektrostatycznymi, należy go wyłączyć i ponownie włączyć lub przenieść urządzenie w inne miejsce.
28. Bateria
 - a. Bateria nie mogą być narażone na działanie nadmiernego ciepła, jak np. promieni słonecznych, ognia itp.
 - b. Podczas utylizacji baterii należy zwrócić uwagę na aspekty ochrony środowiska.
 - c. Przestroga dotycząca używania baterii: aby nie dopuścić do rozszczelnienia baterii, które może spowodować obrażenia ciała bądź uszkodzenie urządzenia:
 - Podczas wkładania baterii zwrócić uwagę na jej polaryzację (+ i -).
 - Nie wolno jednocześnie używać różnych baterii — starych i nowych baterii standardowych i alkalicznych itd.
 - Należy wyjąć baterie z urządzenia, gdy nie będą one używane przez dłuższy czas.

Uwaga dotycząca ERP2 (urządzeń związanych z energią)

Niniejsze urządzenie z ekoprojektem spełnia wymagania etapu 2 Rozporządzenia Komisji (WE) nr 1275/2008 wprowadzającego dyrektywę 2009/125/WE dotyczącą poboru energii przez wyłączone i znajdujące się w trybie czuwania urządzenia elektroniczne do zastosowań biurowych i domowych.

Po upływie 15 minut bez wejściowego sygnału audio urządzenie automatycznie przejdzie w tryb czuwania. Informacje na temat przywrócenia normalnego działania można znaleźć w instrukcji obsługi.

Ważne informacje:

Niniejsze urządzenie jest wyposażone w funkcję trybu oszczędzania energii: jeśli w ciągu 15 minut nie jest podawany do niego żaden sygnał wejściowy, urządzenie automatycznie przejdzie w tryb czuwania w celu oszczędzania energii (norma ERP 2). Należy zauważyć, że ustawienie niskiego poziomu głośności w źródle sygnału audio może zostać rozpoznane jako stan „braku sygnału audio”: może to mieć wpływ na zdolność wykrywania sygnału z urządzenia oraz spowodować automatycznie przejście w tryb czuwania. W takim wypadku należy przywrócić transmisję sygnału audio lub zwiększyć poziom głośności w źródle sygnału audio (odtwarzaczu MP3 itp.) w celu wznowienia odtwarzania. Jeśli problem nie ustąpi, prosimy o kontakt z lokalnym serwisem.

OSTRZEŻENIE

Urządzenie nie powinno być używane przez osoby (w tym dzieci) o obniżonej sprawności fizycznej, sensorycznej lub umysłowej oraz osoby z niewystarczającą wiedzą i doświadczeniem, jeśli nie znajdują się one pod nadzorem osoby odpowiedzialnej za ich bezpieczeństwo i nie zostały poinstruowane jak bezpiecznie używać urządzenia. Obecność osób dorosłych jest wymagana, jeśli urządzenie obsługują dzieci; pozwoli to zapewnić bezpieczne korzystanie z urządzenia.

1. Nie wolno pozostawić pracującego urządzenia bez nadzoru! Należy wyłączać urządzenie, gdy nie jest ono używane, nawet przez krótką chwilę.
2. Urządzenia nie wolno obsługiwać za pośrednictwem zewnętrznego zegara z układem czasowym ani za pomocą oddzielnego układu ze zdalnym sterowaniem.
3. Aby uniknąć zagrożenia w przypadku uszkodzenia przewodu zasilania, wymianę powinien wykonać producent, autoryzowany punkt serwisowy lub inna osoba posiadająca odpowiednie kwalifikacje.
4. Przed przystąpieniem do obsługi urządzenia należy sprawdzić, czy jego napięcie odpowiada napięciu występującemu w lokalnej sieci zasilającej.
5. Nie wolno zakrywać otworów wentylacyjnych urządzenia np. gazetami, obrusem, zasłonami itp. Należy upewnić się, że nad urządzeniem jest co najmniej 20 cm wolnego miejsca, a z każdej jego strony — co najmniej 5 cm.
6. Nie należy dopuszczać do tego, aby na urządzenie kapąła lub wylewała się ciecz, ani nie należy stawiać na nim przedmiotów wypełnionych cieczami, takich jak wazony.
7. Aby uniknąć pożaru lub porażenia prądem elektrycznym, należy chronić urządzenie przed gorącymi miejscami, działaniem deszczu, wilgoci i pyłu.
8. Nie wolno ustawiać urządzenia w pobliżu jakichkolwiek źródeł wody, np. kranów, wanien, pralek lub basenów pływackich. Urządzenie należy ustawić na równym i stabilnym podłożu.
9. Nie wolno narażać urządzenia na silne pole magnetyczne.
10. Nie wolno stawiać urządzenia bezpośrednio na wzmacniaczu lub amplitunerze.
11. Nie wolno stawiać urządzenia w wilgotnym miejscu, gdyż wilgoć ma szkodliwy wpływ na podzespoły elektryczne.
12. Po wniesieniu urządzenia z zimnego do ciepłego miejsca lub do wilgotnego miejsca może dojść do kondensacji wilgoci na soczewce wewnątrz odtwarzacza. W takiej sytuacji urządzenie nie będzie działać prawidłowo. Należy pozostawić włączone urządzenie na około jedną godzinę, aby umożliwić odparowanie wilgoci.
13. Nie wolno czyścić urządzenia rozpuszczalnikami chemicznymi, gdyż mogą one zniszczyć lakier obudowy. Urządzenie wyciera się czystą, suchą lub nieznacznie zwilżoną ściereczką.
14. Podczas wyciągania wtyczki z gniazdka ściennego należy zawsze ciągnąć za wtyczkę, nigdy za kabel zasilania.
15. Gdy włączone urządzenie jest używane w pobliżu włączonego telewizora, może to być źródłem zakłóceń obrazu w postaci linii na ekranie. Zależy to od pasma fal transmisji TV. Nie oznacza to nieprawidłowego działania urządzenia ani telewizora. Jeśli są widoczne takie linie, należy odsunąć urządzenie od telewizora.
16. Wtyczka sieciowa jest używana do odłączania napięcia zasilającego i powinna być zawsze dostępna.
17. Aby nie dopuścić do ewentualnej utraty słuchu, nie wolno słuchać głośno muzyki przez dłuższy czas.



UWAGA
 Deklaracja


Niniejszym Blaupunkt Competence Center 2N-Everpol Sp. z o.o. oświadcza, że to urządzenie jest zgodne z wymogami i innymi odpowiednimi postanowieniami dyrektywy 2014/53 / UE. Pełną deklarację zgodności można uzyskać na stronie www.blaupunkt.com w zakładce produktu.

Podmiot odpowiedzialny: 2N-Everpol Sp. z o.o., Puławska 403A, 02-801 Warszawa, Polska, Telefon: +48 22 331 99 59, e-mail: info@everpol.pl



Produkt został wyprodukowany z wysokiej jakości materiałów i podzespołów, które można poddać recyklingowi i ponownie użyć.



Jeśli na urządzeniu znajduje się znak przekreślonego kosza na śmieci, oznacza to, że produkt jest objęty postanowieniami dyrektywy europejskiej 2012/19/EU. Należy zapoznać się z wymaganiami dotyczącymi lokalnej systemu zbiórki odpadów elektrycznych i elektronicznych. Należy postępować zgodnie z lokalnymi przepisami. Nie wolno wyrzucać tego produktu razem ze zwykłymi odpadami domowymi. Prawidłowe usunięcie starego produktu zapobiegnie potencjalnym negatywnym skutkom dla środowiska naturalnego i zdrowia ludzkiego.



Urządzenie jest wyposażone w baterie objęte dyrektywą europejską 2006/66/WE. Baterii nie wolno wyrzucać razem z odpadami gospodarstwa domowego. Należy zapoznać się z lokalnymi przepisami dotyczącymi oddzielnej zbiórki baterii, ponieważ prawidłowa utylizacja zapobiegnie potencjalnym negatywnym skutkom dla środowiska naturalnego i zdrowia ludzkiego.

Informacje o ochronie środowiska naturalnego

Opakowanie zawiera tylko niezbędne elementy. Dokończono wszelkich starań, aby trzy materiały składowe opakowania były łatwe do oddzielenia: karton (pudełko), pianka polistyrenowa (zabezpieczenia wewnątrz) i polietylen (torebki, arkusz ochronny). Urządzenie wyprodukowano z materiałów, które można poddać recyklingowi i użyć ponownie po ich demontażu przez wyspecjalizowaną firmę. Należy przestrzegać lokalnych przepisów dotyczących utylizacji materiałów opakowaniowych, zużytych baterii i niepotrzebnych urządzeń.

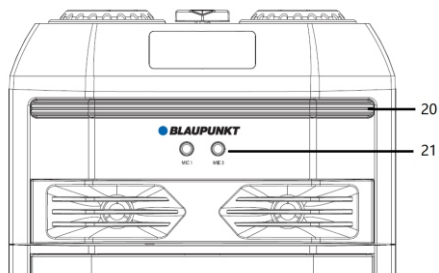
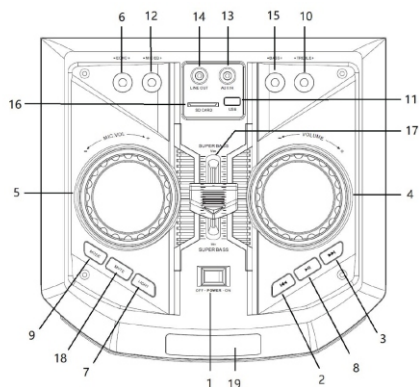
Nagrywanie i odtwarzanie materiałów może wymagać uzyskania zgody. Patrz ustawa o prawach autorskich i prawach wykonawców/artystów.



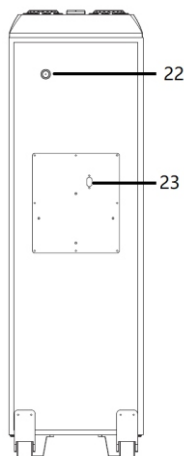
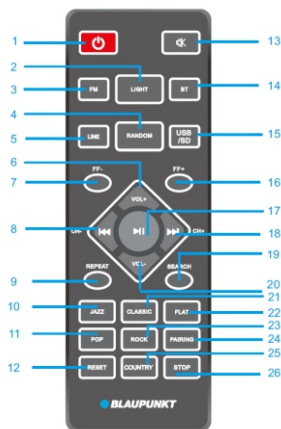
Właścicielem znaków towarowych i logo Bluetooth® jest firma Bluetooth SIG, Inc. USA. Użycie tych znaków i logo podlega licencji. Inne znaki i nazwy handlowe należą do odpowiednich właścicieli.

Dziękujemy za zakup naszego urządzenia. Przed przystąpieniem do obsługi należy dokładnie przeczytać i zapoznać się z niniejszą instrukcją. Prosimy zachować instrukcję w celu późniejszego wykorzystania.

Panel sterowania



- | | | |
|---------------------------------------|---|--|
| 1-Przełącznik włączania / wyłączenia; | 2,3- Poprzedni / następny; | 4- Sterowanie głośnością; |
| 5- Regulacja głośności mikrofonu; | 6- Regulacja echa mikrofonu; | 7- Oświetlenie disco |
| 8- Odtwarzanie / pauza; | 9-Przycisk wyboru źródła; | 10,15- Regulacja tonów niskich i wysokich; |
| 11- Port USB/SD; | 12- Regulacja wysokich i niskich tonów mikrofonu; | 13- Wejście AUX IN; |
| 14- Wyjście sygnału audio LINE OUT; | 16- Gniazdo kart SD card; | 17- Funkcja Super bass; |
| 18- Wyciszenie; | 19- Wyświetlacz; | 20- Oświetlenie Disco; |
| 22- Gniazdo anteny FM; | 23- Gniazdo przewodu zasilania AC; | 21- Gniazdo mikrofonu 1 i 2; |



Pilot zdalnego sterowania

- | | |
|---|---|
| 1 - Przycisk zasilania; | 2- Przycisk włączania/wyłączenia oświetlenia disco; |
| 3, 5, 14, 15- Przycisk wyboru źródła dźwięku FM / LINE IN / Bluetooth / USB / SD; | 6,20- Głośność +/-; |
| 4-Przycisk włączania/wyłączenia funkcji odtwarzania losowego | 8,18- Poprzedni i następny, przycisk kanał - / +; |
| 7, 16- Przycisk szybkiego przewijania FF - / +; | 10, 11, 21, 22, 23, 25- Przyciski trybu EQ (Jazz / POP / Classic / Flat / Rock / Country) |
| 9- Przycisk powtarzania (powtarzaj jeden utwór / powtórz wszystko / wyłącz); | 12- Przycisk reset; |
| 10, 11, 21, 22, 23, 25- Przyciski trybu EQ (Jazz / POP / Classic / Flat / Rock / Country) | 13- Przycisk wyciszenia; |
| 12- Przycisk reset; | 19- Przycisk wyszukiwania; |
| 17- Odtwarzanie / pauza; | 26- Przycisk stop; |
| 24- Przycisk parowania; | |

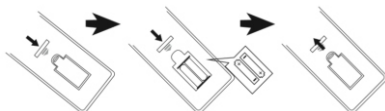
Podłączenie zasilania: Proszę sprawdzić, czy źródło zasilania odpowiada specyfikacji napięcia znamionowego, która znajduje się na tylnym panelu urządzenia. Jeśli się nie zgadza, należy skontaktować się ze sprzedawcą lub centrum serwisowym. Włóż żeńską wtyczkę kabla zasilającego do gniazdka w urządzeniu, a następnie podłącz wtyczkę kabla zasilającego do gniazda ściennego w celu uzyskania źródła zasilania.

Ładowanie akumulatora: Urządzenie posiada wbudowany akumulator, który umożliwi odtwarzanie muzyki bez podłączenia zasilania prądem przemiennym. Podczas ładowania baterii, wskaźnik ładowania, który znajduje się w lewym górnym rogu wyświetlacza będzie świecił się kolorem czerwonym. Wskaźnik ładowania zmieni kolor na zielony po pełnym naładowaniu. Bateria będzie również ładowana nawet po wyłączeniu urządzenia, ale z dostępnym źródłem zasilania prądem przemiennym. Czas ładowania akumulatora wynosi 6 ~ 8 godzin, a czas odtwarzania - 3 ~ 4 godzin w zależności od poziomu głośności odtwarzania. Urządzenie wyłączy się automatycznie w przypadku niskiego poziomu naładowania baterii; należy naładować akumulator w celu dalszego odtwarzania. W prawym dolnym rogu wyświetlacza znajduje się symbol baterii, sugerujemy rozpocząć ładowanie baterii, gdy wyświetlany jest tylko jeden blok w symbolu baterii.



Instalacja baterii pilota zdalnego sterowania

Otwórz pokrywę komory baterii i włóż 2 baterie typu AAA (w zestawie); Upewnij się, że układ baterii będzie zgodny z symbolami pozytywnej i negatywnej polaryzacji nadrukowanymi w komorze. Następnie zamknij pokrywę baterii.



Uwagi:

- Najlepsza odległość robocza pilota wynosi 5 metrów bez żadnych przeszkód. Podczas używania czujnik pilota zdalnego sterowania należy skierować na przednią część urządzenia.
- Bateria pilota będzie stawała się słabsza wraz z wyczerpywaniem baterii. Zużyte baterie należy wymienić na nowe.
- Wyjmij akumulator w przypadku nieużywania urządzenia przez dłuższy czas.
- Baterie należy wyrzucać w sposób przyjazny dla środowiska. W tym celu należy zapoznać się z wymaganiami władz lokalnych.

Obsługa ogólna

- Włączanie / wyłączenie:** Przełącz przełącznik zasilania, który znajduje się na górnym panelu, aby włączyć lub wyłączyć głośnik; naciśnij przycisk zasilania na pilocie zdalnego sterowania aby przejść do trybu gotowości lub wyłączyć urządzenie; Sugerujemy całkowite wyłączenie urządzenia w przypadku braku działania przez dłuższy czas.
- Wybór źródła odtwarzania:** Naciśnij przycisk wyboru źródła na panelu górnym lub naciśnij przycisk FM, BT, LINE, USB/SD na pilocie, aby przełączyć źródło odtwarzania między FB / Bluetooth / Line in / USB / SD.
- Regulacja głośności:** Obróć pokrętkę sterowania głośnością na górnym panelu lub naciśnij przycisk VOL +/- na pilocie, aby zwiększyć lub zmniejszyć poziom głośności. Przycisk VOL +/- na pilocie zdalnego sterowania ma głównie zastosowanie do regulacji poziomu głośności w ograniczonym zakresie. Maksymalna głośność jest regulowana za pomocą głównego pokrętki głośności. W przypadku utraty pilota zdalnego sterowania, a poziom głośności jest zbyt niski, wyłącz i ponownie włącz urządzenie, a następnie ustawienie głośności zostanie zresetowane.
- Regulacja tonów wysokich i niskich:** obróć pokrętkę wysokich i niskich tonów na górnym panelu, aby wyregulować brzmienie dźwięku wyjściowego.
- Wyciszenie dźwięku:** wciśnięcie przycisku MUTE na górnym panelu lub pilocie zdalnego sterowania powoduje wyciszenie dźwięku; Ponowne naciśnięcie tego przycisku przywraca dźwięk do ustawionego wcześniej poziomu.
- Ustawienia korektora:** wciśnięcie odpowiedniego przycisku na pilocie zdalnego sterowania umożliwia zmianę trybu korektora pomiędzy Jazz / Classic / Flat / POP / ROCK / Country (dostępne tylko w trybie USB / SD).
- Odtwarzanie / wstrzymanie:** naciśnij przycisk odtwarzania/pauza, aby wstrzymać lub wznowić odtwarzanie muzyki w trybie Bluetooth / USB/SD.
- Powtarzanie i odtwarzanie losowe:** naciśnij przycisk powtarzania, aby włączyć odpowiedni tryb powtarzania muzyki; Naciśnij przycisk odtwarzania losowego, aby włączyć / wyłączyć funkcję odtwarzania losowego w trybie USB/SD.

9. Oświetlenie: kilkakrotnie naciśnij przycisk oświetlenia, aby przełączać tryb oświetlenia pomiędzy ośmioma efektami lub je wyłączyć.

10. Reset: naciśnij przycisk resetowania na pilocie, aby przywrócić urządzenie do ustawień fabrycznych.

11. Super bass: wciśnij przycisk funkcji super bass, aby wzmocnić brzmienie niskich częstotliwości.

Obsługa radia FM

Przed rozpoczęciem słuchania radia FM należy przenieść urządzenie obok okna w celu lepszego odbioru sygnału FM. Włóż dołączoną antenę przewodową FM do gniazda anteny FM, które znajduje się na tylnym panelu urządzenia, rozwiń antenę w pełnym zakresie w celu uzyskania lepszego odbioru.

1. Automatyczne skanowanie i programowanie stacji radiowych (tryb automatyczny): krótkie naciśnięcie przycisku odtwarzania / pauzy na panelu górnym lub naciśnięcie przycisku wyszukiwania na pilocie uruchamia tryb automatycznego skanowania i zapisywania dostępnych stacji radiowych. Po zakończeniu skanowania urządzenie rozpocznie automatycznie odtwarzanie pierwszej zaprogramowanej stacji. (Maksymalna obsługiwana ilość zaprogramowanych stacji: 40)

2. Wybór stacji radiowych: w trybie radia naciśnij przycisk następny / poprzedni na panelu górnym lub pilocie zdalnego sterowania, aby wybrać i odtworzyć poprzednią lub kolejną zaprogramowaną stację.

3. Strojenie ręczne: naciśnij krótko przycisk FF +/- na pilocie, aby ustawić częstotliwość stacji co 0.1MHz; naciśnij i przytrzymaj przycisk poprzedni / następny przez 2 sekundy, aby zeskanować dostępną stację w górę lub w dół pasma i automatycznie odtworzyć stację.

Odtwarzanie USB/SD

Urządzenie posiada funkcję odtwarzania USB/SD, która może dekodować i odtwarzać muzykę z przenośnych pamięci USB/SD. Przed rozpoczęciem odtwarzania skopiuj muzykę MP3/WMA na przenośną pamięć USB/SD; Włóż pamięć USB/SD do urządzenia, ponieważ tryb odtwarzania USB/SD jest dostępny tylko wtedy, gdy pamięć USB/SD zostanie prawidłowo podłączona.

Następnie urządzenie automatycznie wykryje i odtworzy muzykę MP3/WMA.

Wybór utworu: krótko naciśnij przycisk poprzedni/następny, aby wybrać poprzedni lub następny utwór; Naciśnij i przytrzymaj przycisk służący do przewijania, aby przewinąć do przodu aktualnie odtwarzany utwór, zwolnij przycisk aby dalej odtwarzać utwór.

W trybie USB/SD dostępne są następujące funkcje: odtwarzanie / pauza, wyciszenie, powtarzanie, korektor dźwięku, regulacja wysokiego / niskiego tonu itp. Szczegóły znajdują się w punkcie „Obsługa ogólna/stop” niniejszej instrukcji.

Uwagi:

a. Nie zaleca się podłączania pamięci USB za pomocą przedłużaczy USB, ponieważ może mieć to negatywny wpływ na jakość odtwarzania i powodować hałas lub przerywany dźwięk spowodowany utratą danych audio podczas przesyłania plików.

b. Nie można zagwarantować dekodowania i odtwarzania wszystkich utworów w formacie MP3/WMA.

c. Urządzenie obsługuje pamięci USB/SD o maksymalnej pojemności 32GB

d. Automatycznie odtworzenie niektórych pamięci USB/SD, ze względu na typ i producenta, może zająć trochę więcej czasu; Należy pamiętać, że nie jest to usterka.

Działanie Bluetooth

Ten produkt posiada funkcję Bluetooth, która umożliwia bezprzewodowe odtwarzanie muzyki z innego urządzenia Bluetooth (takiego jak smartfon, tablet itp.).

1. Naciśnij przycisk wyboru źródła, aby wejść w tryb Bluetooth, a symbol Bluetooth będzie migał na wyświetlaczu, co oznacza, że urządzenie jest gotowe do parowania.

2. Włącz funkcję Bluetooth w urządzeniu zewnętrznym i wyszukaj dostępne urządzenie (zapoznaj się z instrukcją obsługi urządzenia zewnętrznego), a następnie sprawdź dostępne urządzenie Bluetooth na liście. Wybierz "BP PS11DB" do połączenia, a symbol Bluetooth będzie świecił się stale na wyświetlaczu po pomyślnym sparowaniu.

3. Wybierz i odtwórz muzykę z zewnętrznego urządzenia Bluetooth, a następnie dźwięk zostanie odtworzony za pomocą głośnika w niniejszym urządzeniu.

4. Naciśnij przycisk poprzedni / następny, aby wybrać ostatni i następny utwór podczas odtwarzania.

5. W trybie Bluetooth można uzyskać funkcję odtwarzania / pauzy, wyciszenia, korekcji dźwięku, korekcji tonów wysokich i niskich. Szczegóły znajdują się w punkcie „Obsługa ogólna” niniejszej instrukcji.

Uwagi:

a. Nie można zagwarantować poprawnego połączenia się ze wszystkimi urządzeniami Bluetooth ze względu na odmienne projekty i marki.

b. Odległość robocza Bluetooth wynosi 10 metrów bez żadnych przeszkód.

c. Urządzenie może parować się i pracować z jednym urządzeniem Bluetooth jednocześnie.

d. W przypadku połączenia przychodzącego podczas odtwarzania Bluetooth; Muzyka zatrzyma się na chwilę i wznowi odtwarzanie po zakończeniu rozmowy telefonicznej.

e. Naciśnij przycisk parowania z pilota, aby zamknąć bieżące połączenie z urządzeniem Bluetooth i rozpocząć parowanie z innym urządzeniem.

Praca w trybie AUX IN

Aby podłączyć i odtwarzać muzykę z innego odtwarzacza lub urządzenia, należy postępować według poniższej instrukcji: Korzystając z kabla audio, (w zestawie) należy połączyć gniazdo AUX IN na górnym panelu urządzenia z wyjściem liniowym lub gniazdem słuchawkowym odtwarzacza, takiego jak np. odtwarzacz MP3, CD, DVD, mikser itp. Następnie należy wybrać i odtworzyć muzykę na zewnętrznym odtwarzaczu, a dźwięk zostanie odtworzony za pomocą niniejszego urządzenia.

W trybie AUX-IN główną kontrolę nad odtwarzaniem sprawuje odtwarzacz zewnętrzny. W niniejszym urządzeniu możesz kontrolować głośność, wyciszyć dźwięki i wyregulować poziom basów i sopranów.

Wyjście liniowe: za pomocą przewodu audio (w zestawie) podłącz wyjście LINE OUT na górnym panelu, a drugie złącze podłącz do gniazda AUX IN w zewnętrznym głośniku aktywnym. Wybierz i odtwarzaj muzykę w niniejszym urządzeniu, a następnie dźwięk będzie odtwarzany zarówno w głośnikach tego urządzenia, jak i za pomocą zewnętrznego głośnika aktywnego.

Karaoke

Otwórz pokrywę baterii mikrofonu bezprzewodowego (w zestawie), włóż 2 szt. suchych baterii w rozmiarze AA (brak w zestawie) zgodnie z wygrawerowanym symbolem biegunowości dodatniej i ujemnej w komorze baterii, a następnie zamknij pokrywę baterii mikrofonu. Ustaw przełącznik w pozycji włączenia, aby włączyć mikrofon. Po kilku sekundach głośnik automatycznie sparuje się z mikrofonem bezprzewodowym. Ustaw odpowiedni poziom głośności wyjściowej mikrofonu na górnym panelu, a następnie zacznij śpiewać. Urządzenie zawiera również podwójne gniazdo wejściowe dla mikrofonu przewodowego, włóż wtyczkę przewodowego mikrofonu (brak w zestawie) do gniazda 6,5 mm, a następnie włącz mikrofon w celu śpiewania.

Porady:

- Jeśli używasz mikrofonu do obsługi funkcji Karaoke, możesz ustawić odpowiednią głośność wyjściową mikrofonu / tonów wysokich / basów / echa, obracając odpowiednie pokrętko na górnym panelu.
- Głośnik może emitować głośny hałas lub zniekształcenia w momencie, gdy poziom głośności, ustawienia basów i sopranów lub funkcja echa ustawione są na zbyt wysokim poziomie. To nie jest usterka. Należy zmniejszyć poziom powyższych ustawień a następnie włączyć lub wyłączyć mikrofon.
- Nasze urządzenie posiada funkcję priorytetu mikrofonu. Jeśli wybierzesz tę funkcję z pilota, głos karaoke zostanie odtworzony za pomocą głośników i będzie miał priorytet (bez tła muzycznego); po zakończeniu śpiewania odtwarzanie muzyki uruchomi się automatycznie.
- Możesz używać funkcji karaoke i słuchać muzyki w tym samym czasie; W przypadku, gdy potrzebujesz zwiększyć głośność karaoke i zmniejszyć poziom muzyki w tle, możesz osobno wyregulować głośność mikrofonu i poziomu głośnika za pomocą odpowiednich pokręteł.
- Na obudowie mikrofonu bezprzewodowego znajduje się przełącznik wyciszania, który może wyciszyć dźwięk mikrofonu.

Rozwiązywanie problemów

- Głośnik nie może się włączyć.
 - Sprawdź, czy podłączenie zasilania jest prawidłowe.
 - Brak dźwięku.
 - Spróbuj wyregulować pokrętko głośności i sprawdzić źródło odtwarzania.
 - Skontaktuj się z centrum serwisowym, jeśli problem pozostanie.
 - Zniekształcenia dźwięku.
 - Spróbuj dostosować i odtworzyć muzykę z niższym poziomem głośności.
 - Sprawdź stan regulacji tonów wysokich / niskich.
- Szum podczas słuchania stacji FM.
 - Przenieś urządzenie w inne miejsce w celu lepszego odbioru.
 - Włącz ponowne skanowanie lub zmień stację na inną.
 - Spróbuj rozłożyć antenę FM i dostosować jej kierunek.

Specyfikacja

Źródło zasilania: AC 110-240V, 50/60 Hz.

Zasilanie z akumulatora: 18V/4.5AH

Częstotliwość FM: 87,5-108,0 MHz.

Złącze USB: 5V, 500mA, wersja 2.0, obsługiwane pamięci masowe do 32 GB.

Karta SD: obsługiwane nośniki do 32 GB.

USB / karty SD obsługują format muzyczny: MP3, WMA (nie gwarantuje się odtwarzania wszystkich tego typu plików)

Bluetooth: V2.1 + EDR, odległość robocza do 10m

Moc wyjściowa RMS: 2 x 45W.

Regulacja tonów niskich i wysokich: -9dB ~ +9dB.

Mikrofon: wejście 2 x 6,5 mm, podłączenie mikrofonu przewodowego.

2 x mikrofon bezprzewodowy (częstotliwość: 208,8 MHz, 215 MHz, źródło zasilania: 2 x 1,5 V, AA)

Pobór mocy: 90W

Pobór mocy w trybie gotowości: <0.5W.

(Powyższa specyfikacja może ulec zmianie bez uprzedzenia.)

DŮLEŽITÉ BEZPEČNOSTNÍ POKYNY

**Upozornění:**

Chcete-li snížit riziko úrazu elektrickým proudem, neodstraňujte kryt nebo zadní část zařízení. Uvnitř nejsou žádné prvky určené pro opravu uživatelem. Údržbou a opravami zařízení se zabývá kvalifikovaný servisní personál.

Vysvětlení grafických symbolů:

Symbol blesku se šipkou umístěn v trojúhelníku upozorňuje uživatele na přítomnost neizolovaného "nebezpečného napětí" v prostoru krytu zařízení, které může dosáhnout velikost hrozcí nebezpečí úrazu elektrickým proudem.



Symbol vykřičníku uvnitř rovnostranného trojúhelníku upozorňuje uživatele, že v této části jsou popsány důležité informace týkající se provozu a údržby zařízení v dokumentaci dodané se zařízením.

Před použitím přístroje si přečtěte tento návod, abyste se seznámili s jeho funkcemi a využili je, jak bylo zamýšleno pro zajištění dlouhé životnosti, bezporuchového provozu zařízení a radosti s používáním.

Důležité informace

- Uchovejte tento návod a bezpečnostní informace pro jejich použití v budoucnu.
- Nedovolte, aby na přístroj kapala nebo se lila tekutina.
- Nepoužívejte ve vlhkých místech, jako např. koupelny.
- Neumísťujte tento přístroj na následujících místech:
- Vystavených přímému slunečnímu záření nebo blízko radiátorů.
- Na jiná stereofonní zařízení, která generují teplo.
- Blokovat větrání nebo umísťovat v prašném prostředí.
- V prostorech vystavených otřesům.
- V prostorech s vysokou vlhkostí.
- Neumísťujte zařízení v blízkosti otevřeného ohně nebo svíčky.
- Zařízení lze použít pouze tak, jak je popsáno v tomto návodu.
- Před prvním zapnutím se ujistěte, že napájení bylo řádně připojeno.
- USB paměť se připojuje přímo nebo přes prodlužovací USB kabel s délkou do 25 cm.

Z bezpečnostních důvodů neodstraňujte kryty a nesaňte se dostat dovnitř zařízení. Přístroj by měl být opravován pouze kvalifikovaným servisním personálem. Nerozebírejte zařízení ani neotevírejte kryt, protože uvnitř nejsou žádné díly, které mohou být opraveny vlastními silami. Údržbou a opravami zařízení se zabývá výhradně kvalifikovaný servisní personál.

BEZPEČNOSTNÍ POKYNY

1. Přečtěte si pokyny - před použitím zařízení si přečtěte celý návod a bezpečnostní informace.
2. Tyto pokyny uschovejte - uschovejte návod k použití pro použití v budoucnu.
3. Dodržujte varování - dodržujte veškerá varování umístěná na zařízení a v souladu s pokyny.
4. Dodržujte pokyny - postupujte podle pokynů a návodu pro uživatele.
5. Instalace - nastavte zařízení podle pokynů výrobce.
6. Napájecí zdroj - tento produkt by měl být napájen pouze ze zdrojů uvedených na označení na napájecím kabelu. Pokud si nejste jisti, jaký typ napájení máte doma, měli byste se obrátit na svého prodejce nebo místního dodavatele elektrické energie.
7. Uzemnění nebo polarizace napájení - zařízení nemusí být uzemněno. Ujistěte se, že je zástrčka zcela zasunuta do zásuvky ve zdi nebo do prodlužovacího kabelu, aby se zabránilo odhalení kolíků a kontaktů. Některé verze zařízení mohou být vybaveny polarizovanou zástrčkou AC (s kolíkem). Tuto zástrčku lze zasunout do síťové zásuvky pouze jedním způsobem. Toto je bezpečnostní funkce. Pokud nelze vložit zástrčku do zásuvky, zkuste ji otočit. Pokud zástrčka stále nepasuje do zásuvky, požádejte elektrikáře, aby ji vyměnil. Neodstraňujte zabezpečení polarizované zástrčky. Pokud používáte prodlužovací kabel nebo kabel jiný než dodávaný s zařízením, měl/a byste mít odpovídající zástrčky a bezpečnostní osvědčení požadované ve vaší zemi.
8. Zajištění napájecího kabelu - napájecí kabely by měly být vedeny tak, aby nikdo po nich nešlapal, nestiskal a aby nedošlo k odříznutí části zařízení předmety umístěnými vedle. Věnujte zvláštní pozornost zástrčkám, zásuvkám a místům vyznačujícím se tím, že kabely jsou vyvedeny ven ze zařízení.
9. Přetížení - Nepřetěžujte zásuvky ve zdi, prodlužovací šňůry a elektrické rozvaděče, může to mít za následek poruchu nebo úraz elektrickým proudem.
10. Větrání - Přístroj musí být řádně větran. Nepokládejte výrobek na postel, pohovku, nebo podobný povrch. Nezakrývejte zařízení ubrusy, ubrusky, novinami, atd.
11. Teplo - Neumísťujte zařízení blízko zdrojů tepla jako jsou radiátory, kamna nebo jiné přístroje (včetně zesilovačů), které produkují teplo. Nepokládejte na zařízení zapálené svíčky a jiné otevřené zdroje ohně.
12. Voda a vlhkost - aby se snížilo riziko poruchy nebo úrazu elektrickým proudem, nevystavujte přístroj působení deště, vody a vlhkosti, jako například v sauně, nebo v koupelně. Nepoužívejte toto zařízení v blízkosti vody, například u vany, umyvadla, kuchyňského dřezu nebo prádelní vany, ve vlhkém sklepě nebo v blízkosti bazény (nebo na podobných místech).
13. Objekty a kapaliny v zařízení - Nevkládejte objekty přes otvory, protože mohou přijít do styku s body nebezpečného napětí a komponenty, které mohou způsobit poruchu nebo úraz elektrickým proudem. Tekutiny by za žádných okolností neměly vniknout na povrch přístroje. Nepokládejte žádné předměty obsahující kapaliny na horní část zařízení.

14. Čištění – před čištěním vždy odpojte přístroj od elektrické zásuvky. Prach kolem reproduktoru lze odstranit jen suchým hadříkem. Pokud je třeba použít čisticí sprej, nesměřujte postřik ne přímo na přístroj, ale na hadřík. Dávejte pozor, aby nedošlo k poškození pohonné jednotky
15. Přídavná zařízení - nepoužívejte příslušenství, která nejsou schválena výrobcem, protože mohou představovat hrozbu.
16. Příslušenství - neumísťujte přístroj na nestabilní vozík, stojan, stativ, držák nebo stůl. Přístroj může spadnout, poškodit se a způsobit vážné zranění dětem nebo dospělým. Použití pouze s vozíkem, stojanem, trojnožkou, držákem nebo stolem, stanoveným výrobcí nebo prodáváním se zařízením. Instalace zařízení by měla být provedena v souladu s pokyny výrobce, za použití montážních sad doporučených výrobcem.
17. Stěhování zařízení - zařízení umístěné na vozíku pohybujte velmi pečlivě. Rychlé zastavení, nadměrné použití síly a nerovné povrchy mohou způsobit převrácení vozíku se zařízením.
18. Období mimo provoz - napájecí šňůra musí být odpojena od zásuvky během bouřky nebo kdy přístroj není používán po dlouhou dobu.
19. Servis - Nepokoušejte se o vlastnoruční prohlídky zařízení. Otevření krytu může způsobit nebezpečné napětí a vystavit uživatele na nebezpečí. Údržbu a opravy a opravy zařízení se zabývá výhradně kvalifikovaný servisní personál.
20. Pokud nepoužíváte zařízení, odpojte napájecí kabel od zásuvky ve zdi. Pokud je zařízení připojeno ke zdroji napájení, je v pohotovostním režimu a není zcela vyloučeno.
21. Náhradní díly - při výměně dílů, zkontrolujte, zda zaměstnanec servisu použil náhradní díly specifikované výrobcem, nebo díly stejné díly jako původní. Výměna za neschválené díly hrozí poruchou, úrazem elektrickým proudem nebo jiným nebezpečím.
22. Hlavní pojistky – pro kontinuální zabezpečení zařízení před ohněm, použijte pojistky správného typu a parametrů. Parametry pojistky v rozsahu napětí jsou vyznačeny na přístroji.
23. Nezvyšujte hlasitost při poslechu skladby malé hlasitosti nebo v nepřítomnosti vstupního zvukového signálu. V opačném případě může dojít k poškození reproduktoru při rychlém zvýšení síly signálu.
24. Jediným způsobem, odpojení zařízení od zdroje elektrické energie je odpojení napájecího kabelu od elektrické zásuvky nebo od zařízení. Zásuvka nebo vstupní napájecí kabel k zařízení musí být vždy k dispozici při používání výrobku.
25. Zařízení by mělo být instalováno v blízkosti elektrické zásuvky nebo prodlužovačky a to takovým způsobem, aby bylo vždy k dispozici.
26. Maximální okolní teplota zařízení je 35 °C
27. Pokyny týkající se elektrostatických výbojů - v případě, že činnost zařízení je narušena elektrostatickými výboji, vypněte jej a opětovně zapnete nebo přemístíte přístroj do jiného místa.
28. Baterie
 - A. Baterie nesmí být vystaveny nadměrnému teplu, jako je sluneční záření, oheň atd.
 - B. Při likvidaci baterie, věnujte pozornost environmentálním aspektům.
 - C. Upozornění týkající se používání baterií: aby se zabránilo úniku baterie, což může mít za následek zranění nebo poškození zařízení:
 - Při vkládání baterií dbejte na správnou polaritu (+ a -).
 - Nepoužívejte různé baterie najednou - staré a nové baterie, standardní a alkalické apod.
 - Vyjměte baterie z přístroje, když není používán po delší dobu

Poznámka o ERP2 (zařízení související se spotřebou energie)

Toto zařízení s ekodesignem je v souladu s požadavky části 2 nařízení Komise (ES) 1275/2008 ke směrnici 2009/125/ES o spotřebě energie kterým se provádí směrnice Evropského parlamentu a Rady 2005/32/ES, pokud jde o požadavky na ekodesign z hlediska spotřeby elektrické energie elektrických a elektronických zařízení určených pro domácnosti a kanceláře v pohotovostním režimu a ve vypnutém stavu. Po uplynutí 15 minut bez vstupního audio signálu zařízení se automaticky přepne do pohotovostního režimu. Informace o obnovení normálního provozu lze nalézt v příručce.

Důležité informace:

Tento přístroj je vybaven režimem pro úsporu energie: pokud v rámci 15 minut nebude automaticky podán žádný vstupní signál, přístroj přejde do pohotovostního režimu, aby šetřil energii (ERP standard 2). Je třeba poznamenat, že nízké nastavení hlasitosti ve zdroji audio signálu může být rozpoznáno jako stav "bez zvuku", což může ovlivnit vaši schopnost detekování signálu ze zařízení a způsobit automaticky posun do pohotovostního režimu. V tomto případě, obnovte přenos zvuku a zvýšete hlasitost zdroje zvuku (MP3 přehrávač atd.), pro obnovení přehrávání. Pokud problém přetrvává, obraťte se na místní servisní středisko.

VAROVÁNÍ

Přístroj by neměl být používán osobami (včetně dětí) s fyzickým, smyslovým nebo mentálním postižením a osobami s nedostatečnými znalostmi a zkušenostmi, pokud nejsou pod dohledem osoby odpovědné za jejich bezpečnost a nebyly poučeny, jak bezpečně používat zařízení. Přítomnost dospělých je nutná v případě, že zařízení obsluhuje děti; to umožní zajištění bezpečného provozu zařízení.

1. Nikdy nenechávejte zařízení běžet bez dozoru! Vypněte zařízení, pokud jej nepoužíváte, a to i na krátkou dobu.
2. Neprovodujte přístroj přes externí časovač nebo samostatný systém dálkového ovládání.
3. Aby se zabránilo nebezpečí, v případě poškození napájecího kabelu výměnu by měl dělat výrobce, autorizovaný poskytovatel služeb nebo jiná osoba, mající příslušné kvalifikace.
4. Před použitím zařízení zkontrolujte, zda napětí odpovídá napětí vyskytujícímu se v místní síti.
5. Nezakrývejte větrací otvory novinami, ubrusy, záclonami, atd. Ujistěte se, že nad přístrojem je alespoň 20 cm volného prostoru, a z každé strany - nejméně 5 cm.
6. Nedovolte, aby na přístroj kapaly nebo se lily tekutiny a nepokládejte na něj předměty naplněné kapalinami, jako například vázy.

7. Aby nedošlo k poruše nebo k úrazu elektrickým proudem, nevystavujte zařízení na horká místa, na dešť, vlhkost a prach.
8. Nepokládejte zařízení do blízkosti zdrojů vody, jako jsou kohoutky, vany, pračky nebo bazény. Umístěte zařízení na plochy stabilní povrch.
9. Nevystavujte silnému magnetickému poli.
10. Nepokládejte zařízení přímo na zesilovací nebo přijímači.
11. Nepokládejte přístroj na vlhka místa, protože vlhkost poškozuje elektrické součásti.
12. Přenos zařízení z chladného do teplého prostředí nebo do vlhkého prostoru může vést ke kondenzaci vlhkosti na čočce uvnitř přehrávače. V takové situaci, přístroj nebude pracovat správně. Nechte součásti v přístroji po dobu jedné hodiny pro odpařování vlhkosti.
13. Nečistěte zařízení chemickými rozpouštědly, protože mohou zničit lak skříně. Přístroj se čistí čistým, suchým nebo mírně vlhkým hadříkem.
14. Při odpojování ze zásuvky vždy tahejte za zástrčku, ne za kabel.
15. Když se zapnutý přístroj používá v blízkosti zapnutého televizoru, může být zdrojem narušení obrazu v podobě čar na obrazovce. Kvalita obrazu závisí na vlnovém pásmu TV vysílání. Tento jev neznamena poruchu zařízení nebo televizoru. Vidíte-li tyto čáry, umístěte přístroj do větší vzdálenosti od televizoru.
16. Síťová zástrčka se používá k odpojení napájení a měla by být vždy k dispozici.
17. Chcete-li zabránit možné ztrátě sluchu, neposlouchejte hudbu delší dobu nahlas.



POZOR

Prohlášení o shodě

Blaupunkt Competence Center zN-Everpol Sp. z o.o. tímto prohlašuje, že je toto zařízení v souladu se základními požadavky a dalšími příslušnými ustanoveními směrnice 2014/53 / EU. Prohlášení o shodě lze získat ze stránky produktu na www.blaupunkt.com.

Odpovědná strana: 2N-Everpol Sp. z o.o., Puławska 403A, 02-801 Varšava, Polsko, Tel: +48 22 331 99 59, E-mail: info@everpol.pl



Naše produkty jsou navrženy a vyrobeny z vysoce kvalitních materiálů a komponent, které jsou recyklovatelné a znovu použitelné.



Je-li tento symbol přeškrtnutého kontejneru uveden na výrobku, znamená to, že výrobek podléhá směrnici 2012/19/EU . Informujte se prosím o místní systém sběru tříděného odpadu pro elektrické a elektronické výrobky. Prosím řiďte se místními pravidly a nelikvidujte staré produkty spolu s běžným komunálním odpadem. Správnou likvidací starého výrobku pomůžete předejít možným negativním dopadům na životní prostředí a lidské zdraví.



Výrobek obsahuje baterie podléhající směrnici 2006/66/EC, které nelze vyhazovat do běžného domovního odpadu. Informujte se prosím o místních pravidlech o sběru baterií, neboť správnou likvidací pomůžete předcházet negativním důsledkům pro životní prostředí a lidské zdraví.

Informace týkající se životního prostředí

Výrobek je zabalen pouze v nezbytném obalu pro jeho ochranu. Snahou naší firmy je, aby byl obalový materiál snadno rozdělitelný na tři materiály: lepenku (krabice), polystyrén (ochranné balení) a polyethylen (sáčky, ochranné fólie z lehčeného plastu). Výrobek se skládá z materiálů, které lze recyklovat a znovu použít v případě demontáže odbornou firmou. Dodržujte prosím místní předpisy týkající se likvidace obalových materiálů, vybitých baterií a starého zařízení.

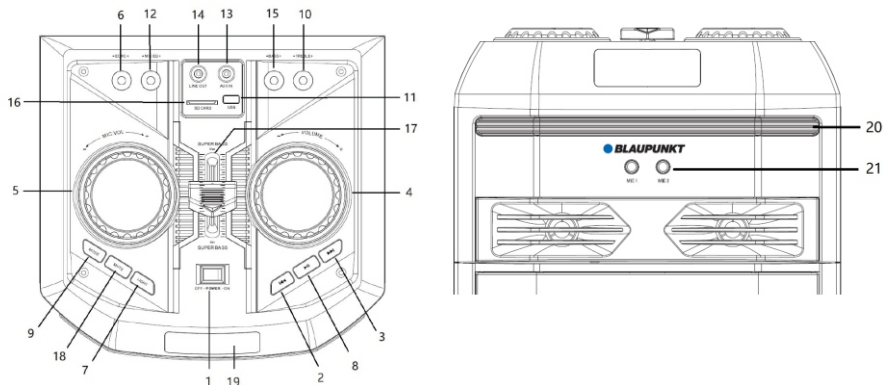
Na nahrávání a přehrávání materiálů může být vyžadován souhlas. Viz Zákon o Copyrightu Act 1956 a Zákon na ochranu umělců Sk 1958-1972.



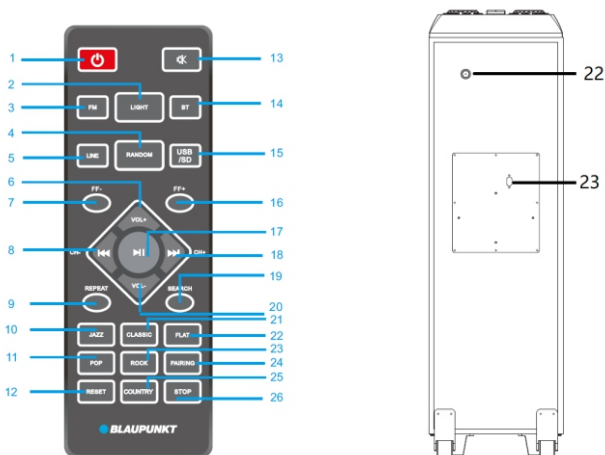
Bluetooth® název i logo jsou registrované obchodní známky společnosti Bluetooth SIG, Inc. a její použití je zatíženo licencí. Ostatní obchodní známky a jména jsou vlastněny jejich vlastníky.

Děkujeme za nákup našeho zařízení. Před zahájením obsluhy je nejprve nutné podrobně přečíst a seznámit se s tímto návodem. Uchovejte návod pro případné použití v budoucnu.

Rídící panel



- | | | |
|---|---|------------------------------------|
| 1-Přepínač zapnuto / vypnuto; | 2, 3 -Předchozí/následující; | 4 -Ovládání hlasitosti; |
| 5-Regulace hlasitosti mikrofonu; | 6-Regulace efektu echa mikrofonu; | 7 -Osvětlení disco; |
| 9 -Tlačítko volby vstupu; | 10, 15 -Regulace nízkých a vysokých tónů; | 8 -Přehrávání / pauza; |
| 12 -Regulace vysokých a nízkých tónů mikrofonu; | 13- Vstup AUX IN; | 11 -Port USB/SD; |
| 16- Slot kart SD card; | 17- Funkce Super bass; | 14 -Výstup signálu audio LINE OUT; |
| 20-Osvětlení Disco; | 21- Vstup mikrofonu 1 i 2; | 19-Displej; |
| | 22- Vstup antény FM; | 23- Zásuvka napájecího kabelu AC; |



Dálkový ovládač

- | | |
|---|--|
| 1 -Tlačítko napájení; | 2 -Tlačítko vypnutí/zapnutí osvětlení disco; |
| 3, 5, 14, 15- Tlačítko výběru zdroje zvuku FM / LINE IN / Bluetooth / USB / SD (Secure Digital) | 6, 20 -Hlasitost +/- ; |
| 4-Tlačítko zapnutí/vypnutí funkce náhodného přehrávání | 8, 18 -Předchozí a následující, tlačítko kanál - / +; |
| 7, 16 -Tlačítko rychlého přetáčení FF - / +; | 9 -Tlačítko opakování (opakovat jednu skladbu / opakovat vše / vypnout); |
| 10, 11, 21, 22, 23, 25-Tlačítka režimu Equalizér - EQ (Jazz/POP/Klasika/Flat (stejná úroveň) /Rock/Country) | 12 -Tlačítko reset; |
| 17 -Přehrávání / pauza; | 13 -Tlačítko ztlumení; |
| 24 -Tlačítko párování; | 19 -Tlačítko vyhledávání; |
| | 26 -Tlačítko stop; |

Připojení napájení

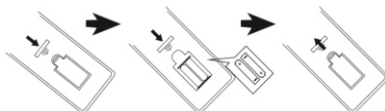
Ověřit, zda zdroj napájení odpovídá specifikaci jmenovitého napětí, která se nachází na zadním panelu zařízení. Pokud se neshoduje, je nutné kontaktovat prodejce nebo servisní centrum. Zasuňte ženskou zástrčku napájecího kabelu do zásuvky v zařízení, následně, pro získání zdroje napájení, připojit zástrčku napájecího kabelu do nástěnné zásuvky.



Nabíjení baterie: Zařízení má vestavěnou baterii, která umožňuje přehrávání hudby bez připojení napájecího zdroje střídavého proudu. Po dobu nabíjení baterie bude indikátor nabíjení v levém horním rohu displeje svítit červeně. Po plném nabití baterie se červené světlo indikátoru změní na zelené. Baterie se bude též nabíjet i po vypnutí zařízení, ale s dostupným napájecím zdrojem střídavého proudu. Doba nabíjení baterie činí 6 ~ 8 hodin a doba přehrávání - 3 ~ 4 hodiny v závislosti na úrovni hlasitosti přehrávání. Při nízké úrovni nabití baterie se zařízení automaticky vypne, pro další přehrávání je třeba baterii nabít. V pravém dolním rohu displeje je umístěn symbol baterií, doporučujeme začít s nabíjením baterie, když v symbolu baterií svítí jen jeden blok.

Instalace baterií dálkového ovládače

Otevřít kryt prostoru pro baterie a vložit 2 baterie typu AAA (jsou součástí dodávky); Ujistěte se, že umístění baterií se shoduje se symboly kladné a záporné polarizace vylistovanými v prostoru pro baterie. Následně umístit kryt prostoru pro baterie zpět.



Poznámky:

- Nejllepší pracovní vzdálenost ovládače činí 5 metrů bez jakýchkoliv překážek. Při použití je nutné nasměrovat čidlo ovládače na přední část zařízení.
- Citlivost ovládače bude slábnout spolu se spotřebou baterií. Spotřebované baterie je nutné vyměnit za nové.
- V případě, že zařízení nebudete po delší dobu používat, baterie vyjměte.
- Baterie je nutné likvidovat ekologicky šetrným způsobem. Za tímto účelem se je třeba seznámit s požadavky místní samosprávy.

Všeobecná obsluha

- Zapnutí / vypnutí:** Přepněte vypínač napájení na horním panelu, jestliže chcete zapnout nebo vypnout reproduktor, stiskněte tlačítko napájení na dálkovém ovladači, pokud chcete přejít do pohotovostního režimu nebo vynout přístroj. Pokud nebude přístroj delší dobu používán, je vhodné jej zcela vypnout.
- Výběr zdroje přehrávání:** Zmáčknout tlačítko volby vstupu na hlavním panelu nebo zmáčknout FM, BT, LINE, tlačítko USB /SD na ovládači, pro přepínání zdroje přehrávání mezi FM / Bluetooth / Line in / USB/SD.
- Regulace hlasitosti:** Otočít ovládací kolečko hlasitosti na vrchním panelu nebo zmáčknout tlačítko VOL +/- na ovládači, pro zvýšení nebo snížení hlasitosti. Tlačítko VOL +/- na dálkovém ovladači je používáno hlavně k regulaci hlasitosti v omezeném rozsahu. Maximální hlasitost lze ustavit hlavním knoflíkem hlasitosti. Pokud ztratíte dálkový ovladač a úroveň hlasitosti je příliš nízká, vypněte a znovu zapněte přístroj a nastavení hlasitosti se zresetuje.
- Regulace vysokých a nízkých tónů:** Otáčením knoflíku vysokých a nízkých tónů na horním panelu ustavte znění výstupního zvuku.
- Ztlumění zvuku:** zmáčknutí tlačítka MUTE na horním panelu nebo ovládači způsobí ztlumění zvuku; Opětovné zmáčknutí tohoto tlačítka vrací zvuk na dříve nastavenou hodnotu.
- Nastavení korektoru:** zmáčknutí patřičného tlačítka na ovládači umožňuje změnu režimu korektoru mezi Jazz / Classic / Flat / POP / ROCK /Country (dostupné pouze v režimu USB/SD).
- Přehrávání / pozastavení:** pro pozastavení nebo obnovení přehrávání hudby v režimu Bluetooth / USB/SD, zmáčknout tlačítko přehrávání/pauza.

- 8. Opakování a náhodné přehrávání:** pro zapnutí patřičného režimu přehrávání hudby je nutné zmáčknout tlačítko přehrávání; Pro zapnutí / vypnutí funkce náhodného přehrávání v režimu USB/SD, zmáčknout tlačítko náhodného přehrávání.
- 9. Osvětlení:** pro přepínání mezi osmi efekty režimu osvětlení nebo pro jejich vypnutí, je nutné opakovaně zmáčknout tlačítko osvětlení.
- 10. Reset:** pro vrácení zařízení do továrního nastavení, zmáčknout tlačítko resetování na ovládači.
- 11. Super bass:** stisknete tlačítko funkce super bass, chcete-li zesílit slyšitelnost nízkých frekvencí.

Obsluha FM rádia

Před zahájením poslechu FM rádia, je pro dosažení lepšího příjmu FM signálu nutné zařízení umístit vedle okna. Zařízení má zabudovanou interní FM anténu. Vložte příloženou bezdrátovou anténu FM do zásuvky antény FM, která je umístěna na zadním panelu zařízení a pro získání lepšího příjmu rozložte anténu v plném rozsahu.

- 1. Automatické skenování a programování rádiových stanic (automatický režim):** krátce zmáčknutí tlačítka pro přehrávání / pauzu na vrchním panelu nebo zmáčknutí tlačítko pro vyhledávání na ovládači spouští režim automatického skenování a ukládání dostupných rádiových stanic. Po ukončení skenování, zařízení zahájí automatické přehrávání první naprogramované stanice. (Maximální počet obsluhovaných naprogramovaných stanic: 40)
- 2. Volba rádiové stanice:** pro výběr a přehrávání předchozí nebo následně naprogramované stanice, je nutné v režimu rádia zmáčknout tlačítko následující / předchozí na vrchním panelu nebo ovládači.
- 3. Manuální ladění:** na ovládači krátce stisknete tlačítko FF +/- a můžete tak nastavit frekvenci stanice s přesností 0,1 MHz; stisknete a přidržte tlačítko Předchozí/následující po 2 sekundy, naskenujete tak dostupnou stanici v horní nebo dolní části pásma a automaticky můžete stanici přehrávat.

USB/SD přehrávání

Zařízení má funkci USB/SD přehrávání, která může dekodovat a přehrávat hudbu z přenosných USB/SD pamětí. Před zahájením přehrávání, zkopírovat hudbu MP3/WMA na přenosnou USB/SD paměť; Vložit USB/SD paměť do zařízení, protože režim USB přehrávání je dostupný pouze tehdy, když je USB/SD paměť správně připojena. Následně zařízení provede automatické rozpoznání a přehraje MP3 hudbu.

Volba sklady: pro zvolení předchozí nebo následující skladby, je třeba krátce zmáčknout tlačítko předchozí/následující; Pro posunutí aktuálně přehrávané skladby do předu, je třeba zmáčknout a podržet tlačítko sloužící k přetáčení, pro další poslech sklady, tlačítko uvolnit.

V režimu USB/SD jsou dostupné následující funkce: přehrávání / pauza, ztlumení, opakování, korekce zvuku, regulace vysokých / nízkých tónů stop atp. Podrobnosti se nacházejí v bodě „Všeobecná obsluha“ tohoto návodu.

Poznámky:

- Nedoporučuje se připojovat USB paměti pomocí USB prodlužovacích kabelů, protože to může mít negativní vliv na kvalitu přehrávání a způsobovat hluk nebo přerušovaný zvuk, který je způsobený ztrátou audio dat během odesílání souborů.
- Nelze zaručit dekodování a přehrávání všech skladeb ve formátu MP3/WMA.
- Zařízení obsluhuje USB paměti s maximálním objemem 32 GB.
- Automatické přehrávání některých USB pamětí, může, s ohledem na typ a výrobce, zabrat trochu víc času; Nesmíme zapomínat, že nejde o poruchu.

Fungování Bluetooth

Tento produkt má funkci Bluetooth, která umožňuje bezdrátové přehrávání hudby z jiného zařízení Bluetooth (jakým je chytrý telefon, tablet atp.).

- Opakovaně zmáčknout tlačítko volby vstupu, pro vstup do režimu Bluetooth, symbol Bluetooth bude na displeji blikat, což znamená, že zařízení je připraveno ke spárování.
- Zapnout funkci Bluetooth na vnějším zařízení a vyhledat dostupná zařízení (seznamte se s návodem pro obsluhu vnějšího zařízení), následně ověřit dostupnost zařízení Bluetooth v seznamu. Pro připojení zvolit "BP PS11DB", symbol Bluetooth bude na displeji po provedeném spárování trvale svítit.
- Zvolit a přehrát hudbu z vnějšího zařízení Bluetooth, následně dojde k přehrávání zvuku pomocí reproduktoru v zařízení.
- Pro výběr poslední a následující přehrávané skladby, zmáčknout tlačítko předcházející / následující.
- V režimu Bluetooth je možno mít funkci přehrávání / pauzy, ztlumení, korekce zvuku, korekce vysokých a nízkých tónů. Podrobnosti se nacházejí v bodě „Všeobecná obsluha“ tohoto návodu.

Poznámky:

- Nelze zaručit správné propojení se všemi zařízeními Bluetooth a to s ohledem na odlišné projekty a značky.
- Pracovní vzdálenosti Bluetooth je 10 metrů bez jakýchkoliv překážek.
- Zařízení se může spárovat a pracovat s jedním zařízením Bluetooth současně.
- V případě příchozího spojení během přehrávání Bluetooth; Hudba se zastaví a bude obnovena po ukončení telefonického hovoru.
- Pro ukončení aktuálního propojení se zařízením Bluetooth a zahájení párování s jiným zařízením, je nutné zmáčknout tlačítko párování na ovládači.

Provoz v režimu AUX IN

Pro připojení a přehrávání hudby z jiného přehrávače nebo zařízení, je třeba postupovat dle těchto instrukcí:

Pomocí audio kabelu (je součástí dodávky) propojit zástrčku AUX IN na horním panelu zařízení s lineárním výstupem nebo zástrčkou pro sluchátka přehrávače, jakým je např. MP3 přehrávač, CD, DVD, mixer atp. Následně je třeba vybrat a přehrávat hudbu na vnějším přehrávači, zvuk poté bude přehráván pomocí našeho zařízení.

V režimu AUX-IN provádí hlavní kontrolu přehrávání vnější přehrávač. Na našem zařízení je možno kontrolovat hlasitost, ztlumení zvuku a regulovat úroveň basů a výšek.

Linkový výstup: kabelem audio (v sestavě) propojte výstup LINE OUT na horním panelu se vstupem AUX IN na vnějším aktivním reproduktoru. Vyberte a pusťte hudbu na tomto přístroji a zvuk bude znít jak z reproduktorů toho přístroje, tak z vnějšího aktivního reproduktoru.

Karaoke

Otevřete kryt baterie bezdrátového mikrofonu (je součástí dodávky), vložte 2 kusy suchých baterií velikosti AA (nejsou součástí dodávky) do komory baterií v souladu s vygravírovaným symbolem kladného a záporného pólu a zavřete kryt baterií mikrofonu. Pro zapnutí mikrofonu nastavte přepínač do polohy „Zapnuto“. Po několika sekundách se reproduktor automaticky spáruje s bezdrátovým mikrofonem. Nastavte požadovanou úroveň výstupní hlasitosti mikrofonu na horním panelu a začněte zpívat. Zařízení je rovněž vybaveno dvojitou vstupní zásuvkou pro připojení drátového mikrofonu, zasuňte zástrčku drátového mikrofonu (není součástí dodávky) do zásuvky 6,5 mm, zapnete mikrofon a můžete začít zpívat.

Rady:

- Pokud používáte mikrofon pro obsluhu funkce Karaoke, můžete nastavit požadovanou výstupní hlasitost mikrofonu / vysokých tónů / basů / efektů echa tím, že budete příslušně otáčet knoflík na horním panelu.
- Reproduktor může vydávat hlasitý hluk nebo zkeslení v okamžiku, kdy hladina hlasitosti, nastavení basů a výšek nebo funkce echa budou nastaveny na příliš vysoké úrovni. Nejde o poruchu. Je třeba snížit hladinu výše uvedených nastavení a následně mikrofon zapnout nebo vypnout.
- Naše zařízení má funkci priority mikrofonu. Pokud si tuto funkci zvolíte z ovládače, zvuk karaoke bude přehráván pomocí reproduktorů a bude mít prioritu (bez hudebního pozadí); po ukončení zpívání se automaticky spustí přehrávání hudby.
- Používat funkci karaoke a poslouchat hudbu lze současně; V případě, kdy potřebujete zvýšit hlasitost karaoke a snížit hladinu zvuku v pozadí, můžete pomocí patřičných ovládacích koleček provést regulaci zvláště hlasitosti mikrofonu a hladiny reproduktoru.
- Na krytu bezdrátového mikrofonu se nachází přepínač ztišení zvuku, kterým můžete zvuk mikrofonu ztlumit.

Řešení problémů

- Reproduktor nelze vypnout.
 - Zkontrolujte, zda je připojení napájení provedeno správně.
- Chybí zvuk.
 - Zkuste provést regulaci ovládacího kolečka pro hlasitost a zkontrolovat zdroj přehrávání.
 - Pokud bude problém přetrvávat, bude nutné kontaktovat servisní centrum.
- Zkeslení zvuku.
 - Zkuste přizpůsobit a přehrát hudbu s nižší hladinou hlasitosti.
 - Ověřte stav regulace vysokých / nízkých tónů.
- Šum při poslechu FM stanice.
 - Pro zlepšení příjmu, přeneste zařízení na jiné místo.
 - Spusťte opět skenování nebo změňte stanici na jinou.
 - Pokuste se anténu FM uvolnit a nastavit optimální směr příjmu.

Specifikace

Zdroj napájení: AC 110-240V, 50/60 Hz.

Napájení z baterie: 18V/4,5 Ah

Frekvence FM: 87,5-108,0 MHz.

Konektor USB: 5V, 500mA, verze 2.0, obsluhovaná datová uložiska do 32 GB.

Karta SD: podporovaná média do 32 GB.

USB / karty SD podporují hudební formát: MP3, WMA (není zaručeno přehrávání všech souborů tohoto typu)

Bluetooth: V2.1 + EDR, pracovní vzdálenost do 10m

Výstupní výkon RMS: 2 x 45 W.

Regulace nízkých a vysokých tónů: -9dB ~ +9dB.

Mikrofon: výstup 2 x 6,5 mm, připojení kabelového mikrofonu.

2 x bezdrátový mikrofon (frekvence: 208,8 MHz, 215MHz, zdroj napájení: 2 x 1,5 V, AA)

Příkon: 90 W

Příkon v pohotovostním režimu: < 0,5 W.

(Tato specifikace může být změněna bez předchozího oznámení).

DŮLEŽITÉ BEZPEČNOSTNÉ POKYNY



Upozornenie:

Ak chcete znížiť riziko úrazu elektrickým prúdom, neodstraňujte kryt alebo zadnú časť zariadenia. Vnútri nie sú žiadne prvky určené na opravu používateľom. Údržbou a opravami zariadení sa zaoberá len kvalifikovaný servisný personál.

Vysvetlenie grafických symbolov:



Symbol blesku so šípkou umiestnený v trojuholníku upozorňuje užívateľa na prítomnosť neizolovaného "nebezpečného napätia" v priestore krytu zariadenia, ktoré môže dosiahnuť veľkosť hrozivcu nebezpečenstvo úrazu elektrickým prúdom.



Výkričník vo vnútri rovnostranného trojuholníka upozorňuje užívateľa, že v tejto časti sú popísané dôležité informácie týkajúce sa prevádzky a údržby zariadení v dokumentácii dodanej so zariadením.

Pred použitím prístroja si prečítajte tento návod, aby ste sa oboznámili s jeho funkciami a využili je, ako bolo zamýšľané pre zaistenie dlhšej životnosti, bezporuchovej prevádzky zariadenia a radosti s použitia.

Dôležité informácie

- Ušchovajte tento návod a bezpečnostné informácie pre ich použitie v budúcnosti.
- Nedovoľte, aby na prístroj kvapkala alebo sa lila tekutina.
- Nepoužívajte vo vlhkých miestach, ako napr kúpeľne.
- Neumiestňujte tento prístroj na nasledujúcich miestach:
- Vystavených priamemu slnečnému žiareniu alebo blízko radiátorov.
- Na iné stereofónne zariadenie, ktoré generujú teplo.
- Blokovať vetranie alebo umiestňovať v prašnom prostredí.
- V priestoroch vystavených otrasom.
- V priestoroch s vysokou vlhkosťou.
- Neumiestňujte zariadenie v blízkosti otvoreného ohňa alebo sviečky.
- Zariadenie je možné použiť iba tak, ako je popísané v tomto návode.
- Pred prvým zapnutím sa uistite, že napájanie bolo správne pripojené.
- USB pamäť sa pripája priamo alebo cez predlžovací USB kábel s dĺžkou do 25 cm.

Z bezpečnostných dôvodov neodstraňujte kryty a nesnažte sa dostať dovnútra zariadenia. Prístroj by mal byť opravovaný iba kvalifikovaným servisným personálom. Nerozoberajte zariadenie ani neotvárajte kryt, pretože vo vnútri nie sú žiadne diely, ktoré môžu byť opravené vlastnými silami. Údržbou a opravami zariadení sa zaoberá výhradne kvalifikovaný servisný personál.

BEZPEČNOSTNÉ POKYNY

1. Prečítajte si pokyny - pred použitím zariadenia si prečítajte celý návod a bezpečnostné informácie.
2. Tieto pokyny uschovajte - uschovajte návod na použitie pre použitie v budúcnosti.
3. Dodržiavajte varovanie - dodržujte všetky varovania umiestnené na zariadení a v súlade s pokynmi.
4. Dodržiavajte pokyny - postupujte podľa pokynov a návodu pre užívateľa.
5. Inštalácia - nastavte zariadenie podľa pokynov výrobcu.
6. Napájacie zdroje - tento produkt by mal byť napájaný iba zo zdrojov uvedených na označenie na napájacom kábli. Ak si nie ste istí, aký typ napájania máte doma, mali by ste sa obrátiť na svojho predajcu alebo miestneho dodávateľa elektrickej energie.
7. Uzemnenie alebo polarizácia napájania - zariadenie nemusí byť uzemnené. Uistite sa, že je zástrčka úplne zasunutá do zásuvky v stene alebo do predlžovacieho kábla, aby sa zabránilo odhaleniu kolíkov a kontaktov. Niektoré verzie zariadenia môžu byť vybavené polarizovanou zástrčkou AC (s kolíkom). Túto zástrčku je možné zasunúť do sieťovej zásuvky iba jedným spôsobom. Toto je bezpečnostná funkcia. Ak nie je možné vložiť zástrčku do zásuvky, skúste ju otočiť. Ak zástrčka stále nepasuje do zásuvky, požiadajte elektrikára, aby ju vymenil. Neodstraňujte zabezpečenia polarizovanej zástrčky. Ak používate predlžovací kábel alebo kábel iný ako dodávaný s zariadením, mal / a by ste mať zodpovedajúce zástrčky a bezpečnostné osvedčenie požadované vo vašej krajine.
8. Zaistenie napájacieho kábla - napájacie káble by mali byť vedené tak, aby nikto po po nich nešliapal, nestiskal a aby nedošlo k odrezaniu časti zariadenia predmetami umiestnenými vedľa. Venujte zvláštnu pozornosť zástrčkám, zásuvkám a miestam vyznačujúcim sa tým, že káble sú vyvedené von zo zariadenia.
9. Preťaženie - nepreťažujte zásuvky, predlžovacie šnúry a elektrické rozvádzače, môže to mať za následok poruchu alebo úraz elektrickým prúdom.
10. Vetranie - Prístroj musí byť riadne vetranie. Nekladte výrobok na posteľ, pohovku, alebo podobný povrch. Nezakrývajte zariadenie obrusy, obrúsky, novinami, atď
11. Teplo - Neumiestňujte zariadenie blízko zdrojov tepla ako sú radiátory, kachle alebo iné prístroje (vrátane zosilňovačov), ktoré produkujú teplo. Nekladte na zariadenie zapálené sviečky a iné otvorené zdroje ohňa.
12. Voda a vlhkosť - aby sa znížilo riziko poruchy alebo úrazu elektrickým prúdom, nevystavujte prístroj pôsobeniu dažďa, vody a vlhkosti, ako napríklad v saune, alebo v kúpeľni. Nepoužívajte toto zariadenie v blízkosti vody, napríklad pri vani, umývadle, kuchynského drezu alebo vane, vo vlhkej pivnici alebo v blízkosti bazéna (alebo na podobných miestach).
13. Objekty a kvapaliny v zariadení - Nevkladajte objekty cez otvory, pretože môžu prísť do styku s bodmi nebezpečného napätia a komponenty, ktoré môžu spôsobiť poruchu alebo úraz elektrickým prúdom. Tekutiny by za žiadnych okolností nemali vniknúť na povrch prístroja. Nekladte žiadne predmety obsahujúce kvapaliny na hornú časť zariadenia.

14. Čistenie - pred čistením vždy odpojte prístroj od elektrickej zásuvky. Prach okolo reproduktora možno odstrániť len suchou handričkou. Ak je potrebné použiť čistiaci sprej, nesmerujte postrek nie priamo na prístroj, ale na handričku. Dávajte pozor, aby nedošlo k poškodeniu pohonnej jednotky
15. Prídavné zariadenia - nepoužívajte príslušenstvo, ktoré nie sú schválené výrobcom, pretože môžu predstavovať hrozbu.
16. Príslušenstvo - neumiestňujte prístroj na nestabilný vozík, stojan, statív, držiak alebo stôl. Prístroj môže spadnúť, poškodiť sa a spôsobiť vážne zranenie deťom alebo dospelým. Použitie iba s vozíkom, stojanom, trojnožkou, držiakom alebo stolom, stanoveným výrobcovia alebo predávajúci sa zo zariadením. Inštalácia zariadenia by mala byť vykonaná v súlade s pokynmi výrobcu, za použitia montážnych sád odporúčaných výrobcom.
17. Sťahovanie zariadenia - zariadenie umiestnené na vozíku pohybuje veľmi starostlivo. Rýchle zastavenie, použitie nadmernej sily a nerovné povrchy môžu spôsobiť prevrátenie vozíka so zariadením.
18. Obdobie mimo prevádzky - napájací šnúra musí byť odpojená od zásuvky počas búrky alebo keď prístroj nie je používaný po dlhú dobu.
19. Servis - Nepokúšajte sa o vlastnoručný prehľadky zariadení. Otvorenie krytu môže spôsobiť nebezpečné napätie a vystaviť užívateľa na nebezpečenstvo. Údržbu a opravy zariadení sa zaoberá výhradne kvalifikovaný servisný personál.
20. Ak nepoužívate zariadenie, odpojte napájací kábel od zásuvky v stene. Ak je zariadenie pripojené k zdroju napájania, je v pohotovostnom režime a nie je úplne vylúčené.
21. Náhradné diely - pri výmene dielov, kontrolujte, či zamestnanec servisu použil náhradné diely špecifikované výrobcom, alebo diely rovnaké ako pôvodné. Výmena za neschválené diely hrozí poruchou, úrazom elektrickým prúdom alebo iným nebezpečenstvom.
22. Hlavné poistky - pre kontinuálne zabezpečení zariadenia pred ohňom, použite poistky správneho typu a parametrov. Parametre poistky v rozsahu napätia sú vyznačené na prístroji.
23. Nezvyšujte hlasitosť pri počúvaní skladby malej hlasitosti alebo v neprítomnosti vstupného zvukového signálu. V opačnom prípade môže dôjsť k poškodeniu reproduktora pri rýchlom zvýšení sily signálu.
24. Jediným spôsobom odpojenia zariadenia od zdroja elektrickej energie je odpojenie napájacieho kábla od elektrickej zásuvky alebo od zariadenia. Zásuvka alebo vstupný napájací kábel k zariadeniu musí byť vždy k dispozícii pri používaní výrobku.
25. Zariadenie by malo byť inštalované v blízkosti elektrickej zásuvky alebo predlžovačky a to takým spôsobom, aby bolo vždy k dispozícii.
26. Maximálna okolitá teplota zariadenia je 35 ° C
27. Pokyny týkajúce sa elektrostatických výbojov - v prípade, že činnosť zariadenia je narušená elektrostatickými výbojmi, vypnite ho a opätovne zapnete alebo premiestnite prístroj do iného miesta.
28. Batérie
 - A. Batérie nesmú byť vystavené nadmernému teplu, ako je slnečné žiarenie, oheň atď
 - B. Pri likvidácii batérie, venujte pozornosť environmentálnym aspektom.
 - C. Upozornenia týkajúce sa používania batérií: aby sa zabránilo úniku batérie, čo môže mať za následok zranenie alebo poškodenie zariadenia:
 1. Pri vkladaní batérií dbajte na správnu polaritu (+ a -).
 2. Nepoužívajte rôzne batérie naraz - staré a nové batérie, štandardné a alkalické atď
 3. Vyberte batérie z prístroja, keď nie je používaný po dlhšiu dobu

Poznámka o ERP2 (zariadenia súvisiace so spotrebou energie)

Toto zariadenie s ekodizajnom je v súlade s požiadavkami časti 2 nariadenia Komisie (ES) 1275/2008 k smernici 2009/125/ES o spotrebe energie ktorým sa vykonáva smernica Európskeho parlamentu a Rady 2005/32/ES, pokiaľ ide o požiadavky na ekodizajn z hľadiska potreby elektrickej energie elektrických a elektronických zariadení v domácnosti a kancelárii v pohotovostnom režime a vo vypnutom stave. Po uplynutí 15 minút bez vstupného audio signálu zariadenie sa automaticky prepne do pohotovostného režimu. Informácie o obnovení normálnej prevádzky možno nájsť v príručke.

Dôležité informácie:

Tento prístroj je vybavený režimom pre úsporu energie: ak v rámci 15 minút nebude automaticky podaný žiadny vstupný signál, prístroj prejde do pohotovostného režimu, aby šetril energiu (ERP štandard 2). Je potrebné poznamenať, že nízke nastavenie hlasitosti v zdroji audio signálu môže byť rozpoznané ako stav "bez zvuku", čo môže ovplyvniť vašu schopnosť detekovania signálu zo zariadenia a spôsobiť automaticky posun do pohotovostného režimu. V tomto prípade, obnovte prenos zvuku a zvýšte hlasitosť zdroja zvuku (MP3 prehrávač atď), pre obnovenie prehrávania. Ak problém pretrváva, obráťte sa na miestne servisné stredisko.

VAROVANIE

Prístroj by nemal byť používaný osobami (vrátane detí) s fyzickým, zmyslovým alebo mentálnym postihnutím a osobami s nedostatocnými znalosťami a skúsenosťami, pokiaľ nie sú pod dohľadom osoby zodpovednej za ich bezpečnosť a neboli poučené, ako bezpečne používať zariadenie. Prítomnosť dospelých je nutná v prípade, že zariadenie obsluhujú deti; to umožní zabezpečenie bezpečnej prevádzky zariadenia.

1. Nikdy nenechávajte zariadenie bežať bez dozoru! Vypnite zariadenie, ak ho nepoužívate, a to aj na krátku dobu.
2. Nepoužívajte prístroj cez externý časovač alebo samostatný systém diaľkového ovládania.
3. Aby sa zabránilo nebezpečenstvu, v prípade poškodenia napájacieho kábla výmenu by mal robiť výrobca, autorizovaný poskytovateľ služieb alebo iná osoba, majúca príslušné kvalifikácie.
4. Pred použitím zariadenia skontrolujte, či napätie zodpovedá napätiu vyskytujúcemu sa v miestnej sieti.
5. Nezakrývajte vetracie otvory novinami, obrusmi, záclonami, atď Uistite sa, že nad prístrojom je aspoň 20 cm voľného priestoru, az každej strany - najmenej 5 cm.
6. Nedovoľte, aby na prístroj kvapkali alebo sa lily tekutiny a nekladte naň predmety naplnené kvapalinami, ako napríklad vázy.

7. Aby nedošlo k poruche alebo k úrazu elektrickým prúdom, nevystavujte zariadenie na horúčavy miesta, na dážď, vlhkosť a prach.
8. Nepokladajte zariadenie do blízkosti zdrojov vody, ako sú kohútiky, vane, práčky alebo bazény. Umiestnite zariadenie na rovný stabilný povrch.
9. Nevystavujte silnému magnetickému poľu.
10. Nekladte zariadenie priamo na zosilňovači alebo prijímači.
11. Nekladte prístroj na vlhka miesta, pretože vlhkosť poškodzuje elektrické súčasti.
12. Prenos zariadení z chladného do teplého prostredia alebo do vlhkého priestoru môže viesť ku kondenzácii vlhkosti na šošovke vo vnútri prehrávača. V takejto situácii, prístroj nebude pracovať správne. Nechajte súčasťou v prístroji po dobu jednej hodiny pre odparovanie vlhkosti.
13. Nečistite zariadenie chemickými rozpúšťadlami, pretože môžu zničiť lak skříně. Prístroj sa čistí čistým suchým alebo mierne vlhkou handričkou.
14. Pri odpájaní zo zásuvky vždy tahajte za zástrčku, nie za kábel.
15. Keď sa zapnutý prístroj používa v blízkosti zapnutého televízora, môže byť zdrojom narušenia obrazu v podobe čiar na obrazovke. Kvalita obrazu záleží na vinovom pásme TV vysielania. Tento jav neznamená poruchu zariadenia alebo televízora. Vidíte-li tieto čiary, umiestnite prístroj do väčšej vzdialenosti od televízora.
16. Sietová zástrčka sa používa na odpojenie napájania a mala by byť vždy k dispozícii.
17. Ak chcete zabrániť nožnej strate sluchu, nepočúvajte hudbu dlhšiu dobu nahlas.



POZNÁMKA



Prehlásenie o zhode

Blaupunkt Competence Center 2N-Everpol Sp. z o.o. týmto prehlasuje, že je toto zariadenie v súlade so základnými požiadavkami a ďalšími príslušnými ustanoveniami smernice 2014/53 / EU. Prehlásenie o zhode je možné získať zo stránky produktu na www.blaupunkt.com. Zodpovedná strana: 2N-Everpol Sp. z o.o., Puławska 403A, 02-801 Varšava, Poľsko, Tel: +48 22 331 99 59, E-mail: info@everpol.pl



Naše produkty sú navrhnuté a vyrobené z vysoko kvalitných materiálov a komponentov, ktoré sú recyklovateľné a opäť použiteľné.



Ak je tento symbol preškrtnutého kontajneru uvedený na výrobku, znamená to, že výrobok podlieha smernici 2012/19/EU

Informujte sa prosím na miestny systém zberu triedeného odpadu pre elektrické a elektronické výrobky. Prosím riadte sa miestnymi pravidlami a nelikvidujte staré produkty spolu s bežným komunálnym odpadom.

Správnu likvidáciu starého výrobku pomôžete predísť možným negatívnym dopadom na životné prostredie a ľudské zdravie.



Výrobok obsahuje batérie podliehajúce smernici 2006/66/EC, ktoré nie je možné vyhadzovať do bežného domáceho odpadu. Informujte sa prosím o miestnych pravidlách zberu batérií, pretože správnu likvidáciu pomôžete predchádzať negatívnym dôsledkom pre životné prostredie a ľudské zdravie.

Informácie týkajúce sa životného prostredia

Výrobok je zabalený len v nutnom obale pre jeho ochranu. Snahou našej firmy je, aby bol obalový materiál jednoducho rozdeliteľný na tri materiály: lepenku (škafuľa), polystyrén (ochranné balenie) a polyetylen (sáčky, ochranné fólie z odľahčeného plastu). Výrobok sa skladá z materiálov, ktoré je možné recyklovať a znovu použiť v prípade demontáže odbornou firmou. Dodržujte prosím miestne predpisy týkajúce sa likvidácie obalových materiálov, vybitých batérií a starého zariadenia.

Na nahrávanie a prehrávanie materiálov môže byť vyžadovaný súhlas. Viz. Zákon o Copyright Act 1956 a Zákon na ochranu umelcov Sk 1958-1972.

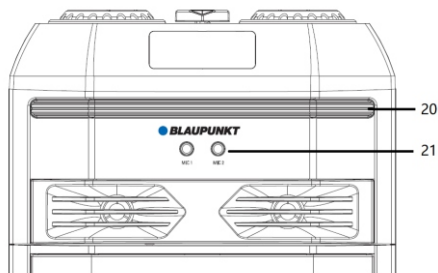
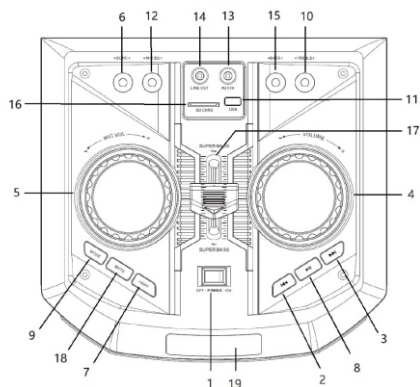


Bluetooth™

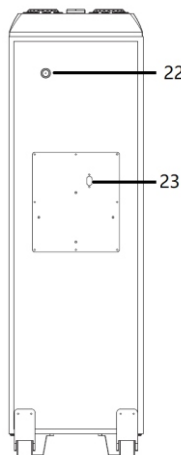
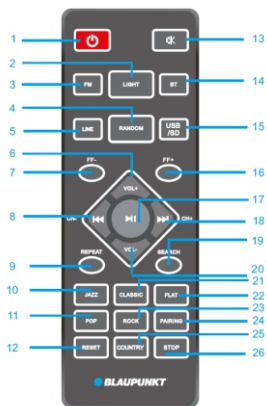
Bluetooth® názov i logo sú registrované obchodné známky spoločnosti Bluetooth SIG, Inc. a jej použítie je zaťažené licenciou. Ostatné obchodné známky a mená sú vlastnené ich vlastníkmi.

Ďakujeme, že ste si kúpili toto zariadenie. Predtým, než ho začnete používať, dôkladne sa oboznámte s touto príručkou. Príručku uchovajte pre prípadnú potrebu v budúcnosti.

Ovládací panel



- | | | |
|-------------------------------------|--|--|
| 1-Prepínač zapnúť/vypnúť; | 2,3- Predchádzajúce/Nasledujúce; | 4 - Ovládanie hlasitosti; |
| 5- Nastavenie hlasitosti mikrofónu; | 6- Nastavenie echa mikrofónu; | 7 - Disko osvetlenie |
| 8 - Prehrávanie/pauza; | 9 - Tlačidlo voľby zdroja; | 10,15 - Nastavenie nízkych a vysokých tónov; |
| 11 - USB/SD port; | 12- Nastavenie vysokých a nízkych tónov mikrofónu; | 13- Vstup AUX IN; |
| 14- Výstup audio signálu LINE OUT; | 16- Port SD kariet; | 17- Funkcia Super bass; |
| 19- Displej; | 20- Disko osvetlenie; | 18- Stlmenie zvuku |
| 23- Zásuvka kábla AC napájania; | 21- Zdieľka mikrofónu 1 I 2; | 22- Konektor FM antény; |



Dialkový ovládač

- | | |
|--|--|
| 1 - Tlačidlo napájania; | 2 - Tlačidlo zapnúť/vypnúť disko osvetlenie; |
| 3, 5, 14, 15- Tlačidlo voľby zdroja (režimu) prehrávania FM / LINE IN / Bluetooth / USB / SD; | |
| 4- Tlačidlo zapínania/vypínania funkcie náhodného prehrávania | |
| 6, 20 - Hlasitosť +/-; | 7, 16 - Tlačidlo rýchleho presúvania FF - / +; |
| 8, 18 - Predchádzajúci a nasledujúci, kanál - / +; | |
| 9 - Tlačidlo opakovania (opakovať jednu skladbu/opakovať všetko/vypnúť); | |
| 10, 11, 21, 22, 23, 25- Tlačidlo nastavenia ekvalizéra EQ (Jazz / POP / Classic / Flat / Rock / Country) | |
| 12 - Tlačidlo reset; | 13 - Tlačidlo stlmenia; |
| 17 - Prehrávanie/pauza; | 19 - Tlačidlo vyhľadávania; |
| 24 - Tlačidlo párovania; | 26 - Tlačidlo stop; |

SLOVAK

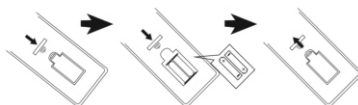
Pripojenie napájania: Skontrolujte, či parametre el. obvodu, ku ktorému chcete zariadenie pripojiť, sa zhodujú s parametrami uvedenými na výrobnom štítku, ktorý sa nachádza na zadnej strane zariadenia. Ak sa nezhodujú, kontaktujte predajcu alebo autorizovaný servis. Samičiu koncovku napájacieho kábla zastrčte do zariadenia, a následne zástrčku napájacieho kábla zastrčte do el. zásuvky. Takým spôsobom pripojíte zariadenie k el.



Nabíjanie akumulátora Zariadenie má integrovaný akumulátor, vďaka ktorému môžete prehrávať hudbu aj bez pripojenia k el. napájaniu. Počas nabíjania akumulátora, kontrolka nabíjania, ktorá je umiestnená v ľavom hornom rohu displeja, bude svietiť načerveno. Keď sa akumulátor úplne nabije, kontrolka nabíjania začne svietiť nazeleno. Akumulátor sa bude nabíjať aj po vypnutí zariadenia, keď je zariadenie pripojené k zdroju el. napätia (AC). Akumulátor sa úplne nabije za cca 6 ~ 8 hodín, čo poskytne približne 3 ~ 4 hodiny prehrávania, závisí to predovšetkým od používanej hlasitosti. Zariadenie sa v prípade príliš nízkej úrovne nabitia akumulátora automaticky vypne; ak chcete ďalej prehrávať hudbu, musíte akumulátor opäť nabíť. V pravom dolnom rohu displeja sa nachádza symbol batérie, navrhujeme, aby ste akumulátor dali nabíť vtedy, keď je v symbole batérie zobrazený iba jeden pásik.

Vloženie batérií do diaľkového ovládača

Otvorte zadné veko komory batérií a vložte 2 batérie typu AAA (v súprave); Uistite sa, či sú batérie vložené správnym smerom, podľa piktogramov, ktoré sú v komore. Následne zatvorte veko komory batérií.



Poznámky:

- Pilot má najlepší dosah do 5 metrov, bez žiadnych prekážok. Keď používate diaľkový ovládač, snímačom smerujte na prednú časť zariadenia.
- Citlivosť diaľkového ovládača sa bude s vybijaním batérií znižovať. Vybité batérie vymeňte na nové/nabité.
- Ak zariadenie nebude dlhší čas používať, vyberte z neho batérie.
- Batérie likvidujte šetrne k životnému prostrediu. Oboznámte sa a postupujte podľa miestnych predpisov.

Všeobecná obsluha

- Zapínanie/vypínanie:** Reproduktor zapnete/vypnete prepínačom napájania, ktorý sa nachádza na hornom paneli; stlačením tlačidla napájania na diaľkovom ovládači aktivujete pohotovostný režim alebo zariadenie vypnete; Ak zariadenie nebude dlhší čas používať, odporúčame, aby ste ho úplne vypli.
- Voľba zdroja prehrávania:** Keď chcete tlačidlá voľby zdroja prehrávania medzi FM / Bluetooth / Line in / USB/SD, stlačte tlačidlo zdroja prehrávania na hlavnom paneli, alebo stlačte tlačidlo FM, BT, LINE, USB/SD na diaľkovom ovládači.
- Nastavenie hlasitosti:** Keď chcete zväčšiť alebo zmenšiť úroveň hlasitosti, otáčajte ovládacím kolieskom hlasitosti na hlavnom paneli, alebo stlačte tlačidlo VOL +/- na diaľkovom ovládači. Tlačidlo VOL +/- na diaľkovom ovládači je určené predovšetkým na nastavenie úrovne hlasitosti v obmedzenom rozsahu. Maximálna hlasitosť sa dá nastaviť pomocou hlavného regulačného kolieska hlasitosti. V prípade, ak stratíte diaľkový ovládač, a úroveň hlasitosti je príliš nízka, vypnite a opätovne zapnite zariadenie, nastavenia hlasitosti sa vynulujú.
- Nastavenie vysokých a nízkych tónov:** výstupný zvuk môžete nastaviť otáčaním kolieska vysokých a nízkych tónov, ktoré je na hornom paneli.
- Stlmenie zvuku:** Keď chcete stlmiť zvuk, stlačte tlačidlo MUTE na hornom paneli alebo diaľkovom ovládači; Keď chcete zvuk opäť zapnúť (na úroveň pred stlmením), opäť stlačte toto tlačidlo.
- Nastavenie ekvalizéra:** Keď chcete nastaviť typ hudby ekvalizéra (Jazz / Classic / Flat / POP / ROCK / Country (dostupné iba v režime USB / SD).
- Prehrávanie/pauza:** Keď chcete spustiť alebo obnoviť prehrávanie hudby v režime Bluetooth / USB/SD, stlačte tlačidlo prehrávanie/pauza.

- 8. Opakovanie a náhodné prehrávanie:** Keď chcete zapnúť požadovaný spôsob prehrávania hudby, stlačte tlačidlo opakovania; Keď chcete zapnúť / vypnúť funkciu náhodného prehrávania (v režime USB/SD), stlačte tlačidlo náhodného prehrávania.
- 9. Osvetlenie:** Keď chcete prepnúť typ osvetlenia (medzi dostupnými ôsmimi efektami), alebo chcete osvetlenie vypnúť, stlačíte tlačidlo osvetlenia.
- 10. Reset:** Keď chcete obnoviť továrenské (predvolené) nastavenia, stlačte tlačidlo Reset.
- 11. Super bass:** stlačením tlačidla funkcie super bass zosilníte znenie nízkych frekvencií.

Používanie FM rádia

Prédtým, než začnete počúvať FM rádio, zariadenie presuňte bližšie k oknu, tzn. na miesto so silnejším rádiovým signálom. Zariadenie má integrovanú internú FM anténu. Vložte pripojenú káblovú FM anténu do zásuvky FM antény, ktorá sa nachádza na zadnom paneli zariadenia, najlepší signál získate, keď anténu úplne rozviniete.

- 1. Automatické vyhľadávanie a programovanie rozhlasových staníc (automatický režim):** Automatický režim vyhľadávania a zapisovania dostupných rozhlasových staníc spustíte krátkym stlačením tlačidla prehrávania/pauzy na hlavnom paneli, alebo stlačením tlačidla vyhľadávania na diaľkovom ovládači. Keď sa skončí vyhľadávanie, zariadenie sa automaticky nastaví na prvú uloženú rozhlasovú stanicu. (Maximálny počet uložených rozhlasových staníc: 40)
- 2. Voľba rozhlasovej stanice:** Keď chcete vybrať a začať prehrávať predchádzajúcu alebo nasledujúcu uloženú rozhlasovú stanicu, v režime rádia stlačte tlačidlo nasledujúce/predchádzajúce na hlavnom paneli alebo na diaľkovom ovládači.
- 3. Ručné ladenie:** krátkym stlačením tlačidla FF +/- na ovládači, nastavíte rozhlasovú frekvenciu v krokoch po 0,1 MHz; stlačením a podržaním na 2 sekundy tlačidla predchádzajúce / nasledujúce spustí sa automatické vyhľadávanie (ladenie) rozhlasových staníc, príslušne hore alebo dole (s vyššou alebo nižšou frekvenciou), prvá nájdená stanica sa automaticky spustí.

Prehrávanie USB

Zariadenie má funkciu prehrávania USB/SD, ktorá umožňuje dekodovať a prehrávať súbory uložené na USB/SD kľúčoch. Prédtým, než začnete prehrávať súbory, najprv ich skopírujte (vo formáte MP3/WMA) na USB/SD kľúč; Následne USB/SD kľúč vložte do zariadenia, pretože režim prehrávania USB/SD je dostupný iba vtedy, keď je USB/SD kľúč správne pripojený (funkčný). Zariadenie následne automaticky vyhľadá a začne prehrávať súbory MP3/WMA.

Voľba súboru: Keď chcete vybrať predchádzajúci alebo nasledujúci súbor (skladbu), krátko stlačte tlačidlo predchádzajúce/nasledujúce; Keď chcete aktuálne prehrávanú skladbu presunúť dopredu, stlačte a podržte tlačidlo previjania; keď chcete opäť spustiť prehrávanie, pusťte tlačidlo.

V režime USB/SD sú dostupné nasledujúce funkcie: prehrávanie / pauza, stlmenie, opakovanie, ekvalizér, nastavenie vysokých a nízkych tónov/stop ap. Podrobnosti sú uvedené v bode „Všeobecná obsluha“ v tejto príručke.

Poznámky:

- Neadorúčame USB kľúče pripájať prostredníctvom predlžovacích USB káblov, pretože to môže mať negatívny vplyv na kvalitu prehrávania a spôsobovať šum, alebo prerušovanie prehrávania následkom straty dát počas ich zasielania z USB kľúča do zariadenia.
- Nemôžeme zaručiť, že zariadenie dokáže dekodovať a prehrať všetky súbory v MP3/WMA formáte.
- Zariadenie podporuje USB kľúče s maximálnou kapacitou 32 GB.
- V prípade niektorých USB kľúčov, niektorých modelov od niektorých výrobcov, spustenie automatického prehrávania môže trvať dlhšie; Pripomíname, že to nie je chyba/porucha.

Používanie Bluetooth

Tento výrobok má funkciu Bluetooth, ktorá umožňuje bezdrôtovo prehrávať súbory z iného zariadenia pripojeného prostredníctvom Bluetooth (ako napr. chytrý telefón, tablet ap.).

- Keď chcete aktivovať režim Bluetooth, niekoľkokrát stlačte tlačidlo voľby zdroja, a symbol Bluetooth bude na displeji blikať, čo znamená, že zariadenie je pripravené na párovanie.
- V externom zariadení aktivujte funkciu Bluetooth a vyhľadajte dostupné zariadenia (postupujte podľa pokynov uvedených v príručke daného zariadenia), a následne prejdite na zoznam dostupných zariadení Bluetooth. Vyberte zariadenie "BP PS11DB", a symbol Bluetooth bude po úspešnom párovaní stále svietiť.
- Na externom zariadení, pripojenom prostredníctvom Bluetooth, spustíte prehrávanie, zvuk sa následne začne prehrávať na reproduktorech zariadenia.
- Keď chcete počas prehrávania vybrať predchádzajúci alebo nasledujúci súbor, stlačte tlačidlo predchádzajúce/nasledujúce.
- V režime Bluetooth sú dostupné nasledujúce funkcie: prehrávanie/pauza, stlmenie, ekvalizér, nastavenie vysokých a nízkych tónov. Podrobnosti sú uvedené v bode „Všeobecná obsluha“ v tejto príručke.

Poznámky:

- Nedá sa zaručiť, že sa zariadenie bude dať spárovať so všetkými zariadeniami Bluetooth, vzhľadom na rôzne konštrukcie (štandardy) rôznych výrobcov.
- Dosah Bluetooth je cca 10 metrov (bez prekážok medzi zariadeniami)
- Zariadenie môže byť v jednej chvíli spárované iba s jedným zariadením Bluetooth.
- Keď počas prehrávania prostredníctvom Bluetooth prijmete prichádzajúci hovor; Prehrávanie sa na chvíľu zastaví a obnoví sa po skončení hovoru;
- Keď chcete zariadenie spárovať s iným zariadením, najprv zatvorte aktuálne pripojenie prostredníctvom Bluetooth stlačením tlačidla párovania na diaľkovom ovládači.

Používanie AUX IN

Keď chcete pripojiť a prehrávať skladby z iného prehrávača alebo zariadenia, postupujte podľa nasledujúcich pokynov: Použite audio kábel, (v súprave) zastrčte ho do zdieľky AUX IN na hornom paneli zariadenia, a spojte ho s priamym výstupom alebo zdieľkou slúchadiel prehrávača, ako napr. MP3 prehrávača, CD, DVD, mixážneho pultu ap. Následne na externom prehrávači vyberte súbor a spustíte prehrávanie, zvuk zaznie na tomto zariadení.

V režime AUX-IN prehrávanie sa kontroluje predovšetkým vonkajším prehrávačom. Toto zariadenie umožňuje nastavovať (kontrolovať) hlasnosť, stlmenie zvuku, ako aj úroveň nízkych a vysokých tónov.

Priamy výstup: audio káblom (v súprave) pripojte priamy výstup LINE OUT na hornom paneli, a druhý konektor pripojte do zdieľky AUX IN externého aktívneho reproduktora. Vyberte a spustíte prehrávanie hudby na tomto zariadení, a zvuk sa bude prehrávať tak na reproduktoroch tohto zariadenia, ako aj na externom aktívnom reproduktore.

Karaoke

Otvorte veko komory batérií bezdrôtového mikrofónu (v súprave), vložte 2 ks batérií typu AA (nie sú v súprave), zachovajte polarizáciu podľa uvedených symbolov, a následne zatvorte veko komory batérií. Mikrofón zapnete prepnutím prepínača na zapnutú polohu. Po niekoľkých sekundách sa reproduktor automaticky spája s bezdrôtovým mikrofónom. Na hornom paneli nastavte vhodnú úroveň výstupnej hlasitosti mikrofónu, a následne môžete začať spievať. Zariadenie má tiež dve vstupné zdieľky pre káblové mikrofóny. Jack káblového mikrofónu (nie je v súprave) zastrčte do 6,5 mm zdieľky, a následne, keď chcete začať spievať, zapnite mikrofón.

Tipy:

- a. Ak mikrofón používanie na karaoke, môžete nastaviť vhodnú úroveň výstupnej hlasitosti mikrofónu / vysokých tónov / basov / echa, otáčaním príslušného kolieska na hornom paneli.
- b. Reproduktor môže vydávať hlasný alebo deformovaný zvuk, ak sú úroveň hlasitosti, nastavenie vysokých a nízkych tónov, alebo funkcia echa, nastavené na príliš vysokých úrovniach. Nie je to porucha. Zmenšite úroveň vyššie spomenutých nastavení a následne vypnite a zapnite mikrofón.
- c. Toto zariadenie má funkciu uprednostňovania mikrofónu. Ak na diaľkovom ovládači aktivujete túto funkciu, hlas karaoke bude prehraný na reproduktoroch a bude uprednostnený (bez hudobného pozadia); po skončení spievania sa prehrávanie spustí automaticky.
- d. Môžete súčasne používať funkciu karaoke a počúvať hudbu; V prípade, ak potrebujete zvýšiť hlasnosť karaoke a znížiť hlasnosť hudby na pozadí, môžete príslušnými ovládacími kolieskami osobitne nastaviť hlasnosť mikrofónu a úroveň reproduktora.
- e. Na plášti bezdrôtového mikrofónu sa nachádza prepínač stlmenia, ktorým môžete stlmiť (angl. mute) zvuk mikrofónu.

Riešenie problémov

1. Reproduktor sa nechce zapnúť.
 - a. Skontroluje, či je zariadenie správne pripojené k el. napätiu.
2. Žiadny zvuk.
 - a. Skúste prekrútiť ovládacie koliesko hlasnosti, skontrolujte zdroj prehrávania.
 - b. Ak sa problém nevyrieši, kontaktujte autorizovaný servis.
3. Zvuk je deformovaný.
 - a. Skúste prispôsobiť a prehrávajte pri nižšej úrovni hlasitosti.
 - b. Skontrolujte nastavenie vysokých a nízkych tónov.
4. Počas počúvania FM rádia počuť šum.
 - a. Skúste zariadenie postaviť na inom mieste, kde je lepší príjem rozhlasového signálu.
 - b. Opätovne spustite vyhľadávanie, alebo vyberte inú rozhlasovú stanicu.
 - c. Skúste rozvinúť FM anténu a prispôsobiť jej smerovanie.

Špecifikácia

Zdroj el. napätia: AC 110-240 V, 50/60 Hz.

Akumulátorové napájanie: 18V/4.5AH

Frekvencia FM: 87,5 – 108,0 MHz.

USB port: 5 V, 500mA, verzia 2.0, podporovaná kapacita USB kľúčov do 32 GB.

Karta SD: podporované nosiče s kapacitou do 32 GB.

USB / karty SD podporujú hudobné súbory formátu: MP3, WMA (nedá sa zaručiť, že zariadenie dokáže prehrať všetky súbory týchto typov)

Bluetooth V2.1 + EDR, dosah do 10 m

Výstupný výkon RMS: 2 x 45 W.

Nastavenie nízkych a vysokých tónov: -9dB ~ + 9dB.

Mikrofón: vstup 2 x 6,5 mm, pripojenie káblového mikrofónu.

2 x bezdrôtový mikrofón (frekvencia: 208,8 MHz, 215MHz, zdroj el. napätia: 2 x 1,5V, AA)

Príkon: 90 W

Odber prúdu v pohotovostnom režime: <0,5 W.

FONTOS BIZTONSÁGI UTASÍTÁSOK


FIGYELEM!
ÁRAMÜTÉS VESZÉLYE
NE NYISSA KI!


Figyelem:

Az áramütés kockázatának csökkentése érdekében, ne távolítsa el a fedelet vagy hátra alkatrészeket. A készülékben nincs felhasználó által javítható alkatrészek. Forduljon képzett szakemberhez

A szimbólumok magyarázata:


Villám szimbólum elhelyezett egyenlő oldalú háromszögben figyelmezteti a felhasználót a szigetetlen "veszélyes feszültségre" a készülékben, amely elérheti a fenyegető áramütés méretét.ü



Felkiáltójel szimbólum elhelyezett egyenlő oldalú háromszögben figyelmezteti a felhasználót, hogy most az üzemeltetési és karbantartásról információk megjelennek a dokumentációban, a készülékhez hozzáadott.

Kérjük, figyelmesen olvassa el az alábbi biztonsági utasításokat, és ezeket a későbbiekben felmerülő kérdések esetére is tartsa meg. Vegye figyelembe a használati utasításban és a készülék hátoldalán található figyelmeztetéseket és utasításokat.

Fontos információk

- Tartsa meg a használati útmutatók későbbi kérdések esetében
- Kerülje a készülék vízzel vagy nedvességgel történő érintkezését
- Ne telepítse a készüléket az alábbi helyeken:
- Kerülje a berendezés közvetlen napfényvel vagy szokatlanul sok porral történő érintkezését.
- Ne helyezzen semmilyen más melegítő készülékek a berendezés mellett.
- A készülék helye ne legyen folyamatosan rezgő helyeken.
- A készülék helye ne legyen magas páratartalmú helyiségben.
- Ne helyezzen nyílt láng vagy gyertyák mellett.
- Berendezések csak kézikönyv szerint használható.
- A berendezés bekapcsolása előtt, győződjön meg róla, hogy az áramellátás megfelelően csatlakozik.
- USB memóriát közvetlenül bekapcsolható, 25 cm-es kábellel.

A hátoldalán és a készülék oldalán található légnyelések maradjanak szabadon. Soha ne próbálja meg a hibás készüléket megjavítani, minden esetben forduljon ügyfélszolgálatához. Ne nyissa fel a készüléket - ezt csak szakember teheti meg.

BIZTONSÁGI UTASÍTÁSOK

1. Olvassa el az utasításokat - figyelmesen olvassa el a biztonsági utasításokat.
2. Tartsa meg az útmutatót - későbbiekben felmerülő kérdések esetére tartsa meg a biztonsági utasításokat.
3. Vegye figyelembe a figyelmeztetéseket - Vegye figyelembe a használati figyelmeztetéseket és utasításokat.
4. Vegye figyelembe az utasításokat - Vegye figyelembe a használati figyelmeztetéseket és utasításokat.
5. Üzembevétel - Utasítások szerint ügyeljen.
6. Áramforrás - A készüléket csatlakoztassa csak a normál hálózati feszültséghez. Ha a felhasználó nem biztos abban, milyen típusú tápegysége van a házban, akkor forduljon a forgalmazóhoz vagy a helyi áramszolgáltatóhoz.
7. Földelés vagy teljesítmény polarizációja – a földelésre nincs szükség. Győződjön meg arról, hogy a csatlakozó teljesen be van helyezve a fali csatlakozóba vagy kiterjesztésbe. A berendezés egyes verziói egy polarizált csatlakozója van (az egyik pótus szélesebb). Ez a dugó lehet illeszteni a fali aljzatba csak egyféle képpen. Ez egy biztonsági funkció. Ha nem lehet bedugni a dugót a konnektorba, próbálja fordítani őt. Ha a dugó még mindig nem illeszkedik az aljzatba, forduljon villanyszerelőhöz, hogy cseréltesse ki. Ne távolítsa el a biztonságot a polarizált dugóról. Amikor használ hosszabbítót vagy a hálózati kábel ami nem mellékelte a készülékhez, megfelelő dugaszolhatóra és az adott országban biztonsági ellenőrzésre szüksége van.
8. Tápkábel biztosítása - Úgy helyezze el a hálózati kábelt, hogy abban senki ne botoroljon meg. Fordítson különös figyelmet a dugaszolhatóra, a hálózati csatlakozóra és ezekre a helyekre ahol a kábelek vezetik ki a készüléket.
9. Túlterhelés - ne terhelje túl a konnektorokat, hosszabbítót, és elektromos elosztók, mivel ez tüzet vagy áramütést okozhat.
10. Szellőzés - A készüléket szellőztetni kell. Ne tegye a készüléket puha felületre, pl. takaróra, szőnyegre vagy függönyök, falikárpit közelébe, mert a szellöző nyílások takarásba kerülhetnek, ezáltal a szükséges levegőcsere nem valósul meg.
11. Hőség - Ne helyezze a készüléket fűtőtestek vagy más hőt sugárzó források közelébe. Kerülje a berendezés közvetlen napfényvel. Nyílt láng, például gyertyák ne kerüljenek a készülékre.
12. Víz és nedvesség - Tűzveszély és egy esetleges áramütés elkerülése végett, a készüléket ne tegye ki esőnek vagy nedvességnek. A berendezést ne használja fürdőkádak, úszómedencék vagy fröcskölő vízforrás közelében.
13. Tárgyak és folyadékok a készülék - Idegen tárgyak nem tegyen be a készülékbe mert feszültség alatt lévő pontokat és alkatrészeket érinthetnek, ami tüzet vagy áramütést okozhat. Ne helyezzen folyadékkal telt tárolóedényeket a készülékre.
14. Tisztítás - A tisztítás előtt mindig húzza ki a készüléket a fali csatlakozóból. Port száraz ruhával távolítsa el. Ha a tisztításhoz aeroszolt használ, ne irányítsa közvetlenül a készülékre, de a ruhára. Ügyeljen arra, hogy ne sértse meg a meghajtó egységeket.
15. Kiegészítő berendezések - Ne használjon olyan tartozékokat, amelyek nem a gyártó által jóváhagyott, mivel azok veszélyt jelentenek.
16. Tartozékok - Ne helyezze a készüléket instabil kocsira, állványra, konzolra vagy asztalra. A készüléket megsérülheti és súlyos sérülést okozhat egy gyermek vagy egy felnőtt számára. Csak a gyártó által jóváhagyott vagy készülékkel eladó kocsit, állványt, konzolt vagy használható. A készüléket gyártói útmutató szerint felszerelhető.

17. A berendezés áthelyezése - a kocsin levő készüléket nagyon óvatosan mozdulni kell. Gyors fékezés, túlzott erőltetés és az egyenetlen felületek miatt felborulhat a készülék.
18. A berendezést nem használata - Ha a berendezést hosszabb ideig nem használja, áramtalanítsa azt.
19. Szerviz - Soha ne próbálja meg a hibás készüléket megjavítani, minden esetben forduljon ügyfélszolgálatához. Ne nyissa fel a készüléket - ezt csak szakember teheti meg. A karbantartási munkákat hagyja szakképzett személyezetre. Egyéb esetekben magát és másokat is veszélyeztet.
20. Ha a berendezést hosszabb ideig nem használja, áramtalanítsa azt. Ha a készülék csatlakoztatva van egy áramforráshoz, ez készenléti üzemmódban, és nem teljesen kizár.
21. Pótkatrészek - Alkatrészek cseréjekor ellenőrizze, hogy a szolgálati munkavállaló használt pótkatrészeket a gyártó által meghatározott, vagy ugyanilyenek, mint az eredeti rész. Nem engedélyezett részek esetében tűz, áramütés vagy egyéb veszély veszélyeztet.
22. Főbiztosítékok - Állandó készülék biztosításához megfelelő típusú és paraméterű biztosítókat használni kell. Biztosítékok paramétereit a készüléken vannak.
23. Ne növelje a hangerőt a kis hangerőjű dal vagy a bemenő audiojel hiányában mellet. Ellenkező esetben maradandó halláskárosodáshoz vezethet.
24. A villózáttal történő kicsatlakoztatáshoz a villás dugót teljesen nyomja ki a konnektorból. A aljzat vagy kábel bemeneti teljesítmény a készülék mindig elérhetőnek kell lenni a használat során a termék.
25. A készüléket a konnektor vagy hosszabbító közelében el kell helyezni, oly módon, hogy mindig rendelkezésre áll.
26. A készülék maximális környezeti hőmérséklete 35 °C.
27. Irányelvek az elektrosztatikus kislésről - ha a készülék működése zavarban van az elektrosztatikus kislés miatt, ki kell kapcsolni és újrapcsolni vagy más helyre mozdulni.
28. Elem
 - a. Ne helyezze a készüléket fűtőtestek vagy más hő sugárzó források közelébe. Kerülje a berendezés közvetlen napfényel.
 - b. Az akkumulátor kidobása alatt, fordítson figyelmet a környezetvédelemre.
 - c. Vigyázat elemek használatára vonatkozó: annak érdekében, hogy megakadályozza az elem szivárgását amely sérülést vagy kárt okozhat:
 - az elemek elhelyezése alatt, fordítson figyelmet a polaritásra (+ és -)
 - ne használjon különböző elemeket egyszerre - régi és új normál és alkalikus stb.
 - Vegye ki az elemeket a készülékből, ha nem használja hosszabb időre.

ERP2-ről megjegyzések (energiával kapcsolatos eszközök)

Ez a készülék okprojekttel megfelel a 2. szakasz biztonsági rendelet (EC) No 1275/2008 irányelvet átültető 2009/125/EK energiafogyasztásról a fogatékkal élő és működő készenléti üzemmódban elektronikus eszközökről irodában és házban. 15 perc a bevételi jel nélkül után, a készülék automatikusan készenléti üzemmódba átkapcsol.

Információk a normál működésbe helyreállításáról az útmutatóban megtalálható.

Fontos információk

Ez a készülék fel van szerelve egy energiatakarékos üzemmóddal: 15 perc a bevételi jel nélkül után, a készülék automatikusan készenléti üzemmódba átkapcsol (ERP2 szabvány). Meg kell jegyezni, hogy az alacsony hangerő az lehet ismerni "nincs hangként": ez befolyásolhatja a jel elismerésére és automatikusan készenléti üzemmódba kapcsolására. Ebben az esetben vissza kell állítani az audiójel adása vagy növelni a hangerőt a hangforrásban (MP3-lejátszó, stb). Ha a probléma továbbra is fennáll, lépjen kapcsolatba a helyi márkaszervizzel.

FIGYELEM

A készüléket nem használhatják olyan személyek (beleértve a gyerekeket), akik testi, érzékszervi vagy szellemi fogyatékoságtól szenvednek és az elégtelen tudás és tapasztalatú is, ha a felelős személy nem felügyeli és nem kapta meg elég információ a készülékről. Felnőttek jelenlétre szüksége van ha a gyerekek használják a készüléket. Ez biztosítja a biztonságos használatát.

1. Soha ne hagyja a gépet felügyelet nélkül! Kapcsolja ki készüléket, ha nem használ, bár egy rövid ideig.
2. Ne használja a készüléket egy külső órajel időzítővel, vagy egy külön távvezérlő rendszerrel.
3. Kockázatának elkerülése érdekében a a tápkábel megsérülése esetében, a cserét gyártónak kell végezni, meghatalmazott szolgáltató, vagy más személy aki rendelkezik megfelelő képesítéssel.
4. Mielőtt használatba venné a készüléket, ellenőrizze, hogy a hálózati feszültség megegyezik a feszültséggel előforduló helyi hálózatban.
5. Ne tegye a készüléket puha felületre, pl. takaróra, szőnyegre vagy függönyök, falikárpit közelébe, mert a szellőző nyílások takarásba kerülhetnek, ezáltal a szükséges levegőcseré nem valósul meg. Győződjön meg arról, hogy a készüléktől legalább 20 cm szabad hely, és a két oldalán - legalább 5 cm-t.
6. Amennyiben a készülékbe idegen anyag, test vagy folyadék kerül, ne helyezzen folyadékkal telt tárolóedényeket, pl. vírágvázat a készülékre.
7. Tűzveszély és egy esetleges áramütés elkerülése végett, a készüléket ne tegye ki esőnek vagy nedvességnek.
8. A berendezést ne használja fürdőakádak, úszómedencék vagy fröcskölő vízfórás közelében. Tartsa meg stabil helyeken.
9. Ne tegye ki erős mágneses mezőre.
10. Ne helyezze a készüléket közvetlenül az erősítőn vagy vevőn.
11. Ne helyezze a készüléket párás helyen, mert a nedvességnek hátrányos hatása van az elektromos alkatrészekre.
12. A készülék hozása a hideg helyről meleg vagy nedves helyre páralecsapódás a lencsén a lejátszó belsejében történhet. Ebben az esetben a készülék nem helyesen működhet. Hagyja a gépet bekapcsolva körülbelül egy óráig, hogy lehetővé tegye a nedvesség párolgást.
13. Ne tisztítsa a készüléket kémiai oldószerekkel, a készülék lakk megsemmisítése miatt. Az eszköz tiszta, száraz vagy enyhén nedves ruhával tisztítható.

14. A konnektorból történő kihúzás esetén ne a kábelt, hanem a villásdugót húzza ki.
15. A készülék működik a bekapcsolt tévé mellett, ez a zaj a képernyőn forrása lehet. A TV adás hullámaintól függő. Azt nem jelenti hibás se tévé se rádió működését. Ebben az esetben távolítsa a készüléket a tévétől.
16. A hálózati csatlakozó a hálózatról kihúzásához használható. Fontos, hogy mindig elérhető.
17. Hogy megakadályozzák az esetleges halláskárosodást, ne hallgass hangosan zenét egy hosszú ideig.



FIGYELEM

Megfelelőség

A Blaupunkt Competence Center 2N-Everpol Sp. z o.o. kijelenti, hogy ez a készülék megfelel a 2014/53/EU irányelv alapvető követelményeink és más vonatkozó rendelkezéseinek. A megfelelőségi nyilatkozat a termék honlapjáról szerezhető be: www.blaupunkt.com.

Felelős fél: 2N-Everpol Sp. z o.o, Puławska 403A, 02-801 Varsó, Lengyelország, telefon: +48 22 331 99 59, e-mail: info@everpol.pl



A termék kiváló minőségű anyagokból és alkatrészekből áll, újrahasznosíthatók és újra felhasználhatók.



Ha a készüléken az áthúzott szeméttároló van, azt jelenti, hogy a termék 2012/19/EU számú európai uniós irányelv megkívánja. Kérjük, olvassa el a követelmények a helyi rendszerről a hulladék elektromossal és elektronikus berendezésekkel kapcsolatos. Helyi követelmények szerint csinálni kell. Ne dobja a terméket a normál háztartási szeméttel. Megfelelő a régi termék ártalmatlanítása segít megelőzni a lehetséges negatív következményeket a környezetre és az emberi egészségre.



A készülék fel van szerelve akkumulátorral ami megfelel a 2006/66/EC európai irányelv követelményeinek. Ne dobja az elemet a normál háztartási szeméttel. Kérjük, olvassa el a követelmények a helyi rendszerről a hulladék elektromossal és elektronikus berendezésekkel kapcsolatos. Helyi követelmények szerint csinálni kell. Ne dobja a terméket a normál háztartási szeméttel.

Információk a környezetvédelemről

A csomag csak a szükséges elemeket tartalmaz. Minden erőfeszítést tettek, hogy a csomagolóanyag három összetevője könnyen elkülönített legyen: karton (doboz), polisztirol (belső biztonság) és polietilén (zacskó, védő lap). A készülék olyan anyagból készült, melyek újrahasznosíthatók és szétszerelhetőek. Kérjük, olvassa el a követelmények a helyi rendszerről a hulladék elektromossal és elektronikus berendezésekkel kapcsolatos.

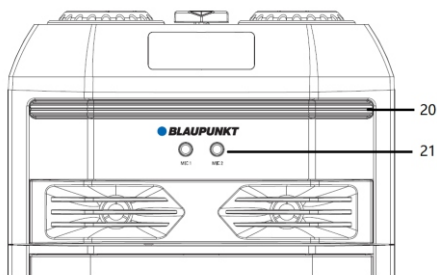
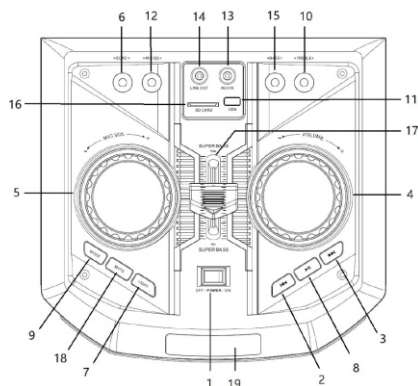
Felvételhez és lejátszáshoz engedélyre van szükség. Lásd a szerzői jogi törvényt, valamint az előadók / művészek jogairól.



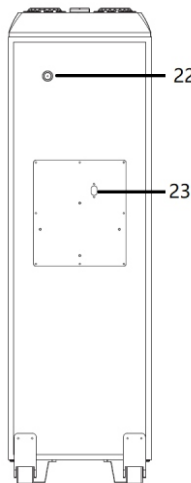
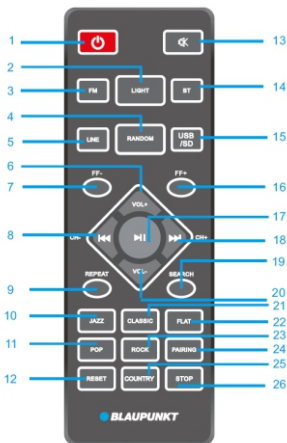
A Bluetooth® szó márkajelzés és logó a Bluetooth SIG, Inc. bejegyzett védjegyei, és ezen márkajelzéseket engedéllyel használjuk. Más védjegyek és márkanevek a vonatkozó tulajdonoshoz tartoznak.

Köszönjük, hogy megvásárolta készülékünket. Használat előtt kérjük, figyelmesen olvassa el a jelen útmutatót. A használati útmutatót későbbi igénybevétel céljából őrizze meg.

Vezérlőpanel



- | | | | |
|---|-------------------------|-------------------------|---------------------------------|
| 1-Bekapcsoló/kikapcsológomb; | 2,3- Előző / következő; | 4- Hangerő-szabályozás; | 5- Mikrofon hangerő-szabályozó; |
| 6- Mikrofon visszhang-szabályozó; | 7- Diszkófény | 8- Lejátszás / szünet; | 9- Hangforrás kiválasztó gomb ; |
| 10,15- magas és mély hangok szabályozása; | | 11- USB/SD aljzat; | |
| 12- Mikrofon magas és alacsony hangjainak beállítása; | | 13 - AUX IN bemenet; | 14- LINE OUT audió kimenet; |
| 16 - SD kártya foglalat; | 17- Super bass funkció; | 18- Némitás | 19- Kijelző; |
| 21-11 2 mikrofon aljzat; | 22- FM-antenna bemenet; | 23- AC tápkábel aljzat; | |



Távírányító

- | | |
|--|--|
| 1- Bekapcsológomb; | 2- Diszkófény bekapcsolása/kikapcsolása; |
| 3, 5, 14, 15- Hangforrás kiválasztó gomb FM / LINE IN / Bluetooth / USB / SD; | |
| 4-Véletlenszerű lejátszás bekapcsolása/kikapcsolása | |
| 6,20 Hangerő +/- ; | 7,16- Gyors tekerés gombja FF - / + ; |
| 8,18- Előző és következő, csatorna - / + gomb; | |
| 9- Ismétlés gomb (egy zeneszám ismétlése / összes ismétlése / kikapcsolva); | |
| 10,11,21,22,23,25- EQ mód gombjai (Jazz / POP / Classic / Flat / Rock / Country) | |
| 12- Reset gomb; | 13- Némitás gomb; |
| 17- Lejátszás / szünet; | 19- Keresés gomb; |
| 24;- Párosítás gomb | 26- Stop gomb; |

Árarmelés: Kérjük, ellenőrizze, hogy a tápegység megfelel-e a névleges feszültségre vonatkozó követelményeknek, melyek a hátlapon található. Amennyiben nem egyezik meg, kérjük, forduljon a forgalmazóhoz vagy a szervizhez. A tápkábel anyagi végét helyezze be a készülékben található aljzatba, majd a dugót helyezze a fali konnektorba az árarmelés biztosítása végett.



Akkumulátor töltése: A készülék beépített akkumulátorral rendelkezik, mely lehetővé teszi a zenelejátszást váltakozó áramú tápellátás nélkül. Az akkumulátor töltésekor a képernyő bal felső sarkában található töltés-visszajelző lámpa pirosan világít. A teljes feltöltést követően a lámpa zöld színre vált. Az akkumulátor kikapcsolt készülék mellett is töltődik, amennyiben a készülék áramhoz van csatlakoztatva. Az akkumulátor töltési ideje 6 ~ 8 óra, a lejátszási idő pedig 3 ~ 4 óra a lejátszás hangerejétől függően. A készülék alacsony töltöttség esetén automatikusan kikapcsol; a lejátszás folytatásához fel kell tölteni az akkumulátort. Az elem szimbólum a kijelző jobb alsó sarkában található, ajánlott a töltést akkor elkezdeni, amikor az elem szimbólum 1 egységnyi töltöttséget mutat.

Az elemek behelyezése a távirányítóba

Nyissa fel az elemtartó fedelét és helyezzen be két AAA elemet (mellékelve); Győződjön meg róla, hogy az elem behelyezése megfelel-e az elemtartóban feltüntetett negatív és pozitív pólusoknak. Ezt követően zárja be az elemtartó fedelét.



Megjegyzések:

- a. A távirányító 5 méter távolsáig működik a legjobban, akadályok nélkül. Használat közben a távirányító érzékelőjét irányítsa a készülék felé.
- b. A távirányító érzékenysége az elem lemerülésével egyre gyengébb lesz. Az elhasznált elemeket ki kell cserélni.
- c. Ha a készülék hosszabb ideig nem lesz használva, vegye ki belőle az elemet.
- d. Az elemet környezetudatos módon hasznosítsa újra. Ehhez kérjük, olvassa el a helyi hatóságok követelményeit.

Általános kezelés

- 1. Bekapcsolás / kikapcsolás:** A hangszóró bekapcsolásához kapcsolja át a felső panelen található kapcsológombot; a készenléti állapot bekapcsolásához vagy a készülék kikapcsolásához nyomja meg a bekapcsológombot a távirányítón; Ha a készülék hosszabb ideig használaton kívül marad, ajánlott a készüléket teljesen kikapcsolni.
- 2. Lejátszás forrásának kiválasztása:** Az FM / Bluetooth / Line-in / USB/SDforrások közötti átkapcsoláshoz nyomja meg a forrás hangforrás kiválasztó gombot a felső panelen, vagy a távirányítón az FM, BT, LINE, USB/SD gombok egyikét.
- 3. Hangerősség szabályozás:** A hangerő növeléséhez vagy csökkentéséhez forgassa el a hangerősség szabályozó gombot a felső panelen, vagy nyomja meg a VOL +/- gombot a távirányítón. A távirányítón található VOL +/- gomb főleg a hangerő meghatározott intervallumon belüli módosítására szolgál. A maximális hangerősséget a fő hangerő szabályozóval lehet beállítani. Ha elveszíti a távirányítót és a hangerő túl alacsony, kapcsolja ki és be a készüléket. A hangerőszint alaphelyzetbe kerül.
- 4. Magas és mély hangok szabályozása:** A kimeneti hangszín a felső panelen található, alacsony és magas hangok beállítására szolgáló forgatógombokkal állítható be.
- 5. Hang némítás:** A MUTE gomb megnyomása a felső panelen vagy távirányítón elnémítja a hangot; A gomb ismételt megnyomása helyreállítja az előzőleg beállított hangerőt.
- 6. Hangszabályozó beállításai:** A távirányító megfelelő gombjának megnyomása lehetővé teszi a Jazz / Klasszikus / Flat / POP / ROCK/ Country (csak USB / SD módban elérhető).
- 7. Lejátszás / Szüneteltetés:** nyomja meg a lejátszás / szünet gombot a zenelejátszás szüneteltetéséhez vagy folytatásához Bluetooth / USB/SD módban.
- 8. Ismétlés és véletlenszerű lejátszás:** a kívánt ismétlési mód bekapcsolásához nyomja meg az ismétlés gombot; Nyomja meg a véletlenszerű lejátszás gombot a véletlenszerű lejátszás bekapcsolásához/kikapcsolásához USB/SD módban.
- 9. Világítás:** A 8 féle világítás bekapcsolásához, vagy a világítás kikapcsolásához a világítás gombot nyomogassa.
- 10. Reset:** a készülék gyári beállításainak visszaállításához a reset gombot nyomja meg a távirányítón.
- 11. Super bass:** Az alacsony frekvenciájú hangok felerősítéséhez nyomja meg a super bass gombot.

FM rádió kezelése

FM rádió hallgatása előtt helyezze a készüléket ablak közelébe az FM jel jobb vétele érdekében. A készülék egy beépített FM antennával rendelkezik. Helyezze be a mellékelt, vezetékes FM antennát a készülék hátsó panelén található FM antenna aljzatba, valamint a jobb vétel érdekében húzza ki teljesen az antennát.

1. Rádióállomások automatikus szkenelése és programozása (automatikus üzemmód): a felső panelen található lejátszás / szünet gomb, vagy a távirányítón található keresés gomb megnyomása elindítja az automatikus szkenelést és az elérhető rádióállomások elmentését. A szkenelés után a készülék automatikusan elkezd játszani az első elmentett rádióállomást. (Az elmentett rádióállomások maximális száma: 40)

- 2. Rádióállomások kiválasztása** rádió üzemmódban az előző vagy következő beprogramozott rádióállomás lejátszásához nyomja meg a következő / előző gombot a felső panelen vagy a távirányítón,
- 3. Kézi hangolás:** 0.1 MHz-el való léptetéshez nyomja meg röviden az FF +/- gombot a távirányítón; a rádióállomások felfelé vagy lefelé történő kikereséséhez és automatikus elindításához tartsa lenyomva 2 másodpercig az előző / következő gombot.

USB/SD-lejátszás

A készülék rendelkezik egy USB/SD-lejátszási funkcióval, mely képes zenét dekódolni és lejátszani hordozható USB/SD-tárhelyről. A lejátszás megkezdése előtt másolja át az MP3/WMA formátumú zenefájlt az USB-tárhelyre; csatlakoztassa az USB-tárhelyet a készülékhez, mivel az USB/SD lejátszási mód csak az USB/SD-tárhely felismerése után válik elérhetővé. Ezután a készülék automatikusan érzékeli és lejátszza az MP3/WMA zenefájlokat.

Zenészmű kiválasztása: röviden nyomja meg az előző / következő gombot az előző vagy a következő zenészmű lejátszásághoz; Nyomja meg és tartsa lenyomva a gyors tekerés gombot a gyors előretekeréshez, majd engedje fel a lejátszás folytatásához. USB/SD módban a következő funkciók érhetőek el: lejátszás / szünet, némítás, ismétlés, hangszínszabályzó, magas / mély hangok beállítása/stop stb. A részletek a jelen utasítás „Általános kezelés” fejezetében találhatók meg.

Megjegyzések:

- Nem ajánlott az USB-tárhely csatlakoztatása USB hosszabbítón keresztül, mivel ez negatív hatással lehet a lejátszás minőségére és zajt, vagy szaggatott lejátszást idézhet elő adatvesztés miatt a fájlátvitel során.
- Nem garantálható minden MP3/WMA formátumú zenészmű dekódolása és lejátszása.
- A készülék maximum 32 GB méretű tárhelyet képes kezelni.
- Az egyes USB-tárhelyek automatikus lejátszása típustól és gyártótól függően több időt vehet igénybe; Szem előtt kell tartani, hogy ez nem jelent meghibásodást.

Bluetooth üzemetelése

A termék Bluetooth funkcióval rendelkezik, mely lehetővé teszi a vezeték nélküli zenelejátszást egy másik Bluetooth eszközzel (pl. okostelefon, tablet stb.).

- Nyomja meg néhányszor a hangforrás kiválasztó gombot a Bluetooth üzemmód bekapcsolásához. A Bluetooth szimbólum villogni fog a kijelzőn, mely azt jelzi, hogy a készülék párosításra kész.
- Aktiválja a Bluetooth funkciót a külső eszközben és keresen rá az elérhető készülékekre (lásd a külső eszköz használati útmutatóját), majd nézz meg a találati listát. Válassza ki a „BP PS11DB” pozíciót, a sikeres párosítást követően a Bluetooth szimbólum folyamatosan világítani fog.
- Válassza ki és játssza le a külső Bluetooth készüléken a kívánt zenészműt. A hang a termék hangszórójából fog szólni.
- Nyomja meg a következő / előző gombot az előző vagy a következő zenészmű lejátszásához.
- Bluetooth módban a lejátszás / szünet, némítás, hangszínszabályozás, magas és a mély hangok beállítása funkciók érhetőek el. A részletek a jelen utasítás „Általános kezelés” fejezetében találhatók meg.

Megjegyzések:

- Nem garantált a megfelelő csatlakozás mindegyik Bluetooth készülékkel a különböző tervezésre és márkára való tekintettel.
- A Bluetooth működési távolsága akadályok nélkül 10 méter.
- A készülék egyszerre egy Bluetooth készülékkel tud csatlakozni és zenét lejátszani.
- Bluetooth lejátszás közben bejövő hívás esetén; A zenelejátszás szüneteltetésre kerül és a beszélgetés befejezése után kerül folytatásra.
- A jelenlegi Bluetooth kapcsolat megszakításához és egy másik készülékkel való csatlakozáshoz a távirányítón a párosítást gombot nyomja meg.

AUX IN mód

Más lejátszóról vagy erősítőről történő lejátszás érdekében az alábbi utasításnak megfelelően kell eljárni:

Az audio kábel (mellékelve) segítségével csatlakoztassa a lejátszó (pl. MP3 lejátszó, CD, DVD, keverő stb.) vezetékes kimenetét vagy hangszóró kimenetét a felső panelen található AUX IN aljzathoz. Ezt követően válassza ki és játssza le a zenészműt a külső lejátszón, a hang a termék hangszóróiból fog szólni.

AUX-IN üzemmódban a lejátszás vezérlése a külső készüléken történik. Jelen eszközön a hangerő-szabályozás, a némítás és magas-mély hangok beállítása használható.

Vezetékes kimenet: csatlakoztassa audio vezetékkel (a készlet része) a felső panelen található LINE OUT kimenetet és az aktív külső hangszórón található AUX IN aljzatot. A kívánt zenészműt ezen a készüléken válassza ki és indítsa el. A hang a termék hangszóróiból és a külső aktív hangszóróiból egyaránt szólni fog.

Karaoke

Nyissa fel a vezeték nélküli mikrofon (mellékelve) elemtartójának fedelét, helyezzen be 2 db AA méretű elemet (nem a készlet része) a dombornyomott pozitív és negatív pólusoknak megfelelően, majd zárja le a mikrofon elemtartójának fedelét. A mikrofon bekapcsolásához állítsa át a kapcsológombot bekapcsolt helyzetbe. A hangszóró néhány másodpercen belül automatikusan kapcsolódni fog a vezeték nélküli mikrofonnal. Állítsa be a felső panelen a mikrofon kimeneti hangerejét, majd kezdje el az éneklést. A készülék egy dupla aljzattal is rendelkezik vezetékes mikrofon csatlakoztatásához, csatlakoztassa a vezetékes mikrofont (nem a készlet része) a 6,5 mm-es aljzathoz, majd az énekléshez kapcsolja be a mikrofont.

Tipp:

- Ha a mikrofont Karaoke funkcióra a felső panelen található forgatógombot elforgatásával állítható be a mikrofon kimeneti hangereje / magas hangok / basszus / visszhang.
- Ha a magas-mély hang, vagy a visszhang túl magas szintre van beállítva, előfordulhat, hogy a hangszóróiból kijövő hang zajos vagy torzított lesz. Ez nem jelent meghibásodást. Le kell csökkenteni a fenti beállításokat, majd ki és bekapcsolni a mikrofont.
- A készülék mikrofon prioritási funkcióval van ellátva. Ha ezt a funkciót választja ki a távirányítón, a karaoke hangja a hangszórókon keresztül fog szólni és prioritást fog élvezni (zenei alátét nélkül); az éneklés befejezése után a zene automatikusan elindul.
- A karaoke funkció zenelejátszással együtt is használható; Ha szeretné növelni a karaoke hangját és csökkenteni a zenei alátét hangját, a megfelelő forgatógombok segítségével külön-külön beállítható a mikrofon és a hangszóró hangereje.
- E a vezeték nélküli mikrofonon található a némítás gomb, mellyel kikapcsolható a mikrofon hangja.

Problémák elhárítása

1. A hangszóró nem kapcsol be.
 - a. Ellenőrizze, hogy az áramellátás megfelelő-e.
2. Nincs hang.
 - a. Próbálja meg módosítani a hangerőt és ellenőrizze a lejátszás forrását.
 - b. Ha a probléma továbbra is fennáll, vegye fel a kapcsolatot a szervizzel.
3. Torzított hang.
 - a. Próbálja meg lejátszani a zeneszámot alacsonyabb hangerőn.
 - b. Ellenőrizze a magas / mély hangok beállítását.
4. Zajok FM rádió hallgatása közben.
 - a. Helyezze át a készüléket a jobb vétel érdekében
 - b. Kapcsolja be ismét a szkennelést vagy válasszon ki egy másik rádióállomást.
 - c. Próbálja meg kihúzni az FM antennát és módosítani a helyzetét.

Műszaki adatok

Tápellátás: AC 110-240V, 50/60 Hz.

Működtetés akkumulátorral: 18V/4.5AH

FM sávészélesség: 87,5-108,0 MHz.

USB csatlakozó: 5V, 500mA, 2.0 verzió, max. 32 GB kapacitású adattároló kezelése.

SD kártya: max. 32 GB kapacitású tárhely kezelése

Az USB / SD kártya az alábbi zeneformátumokat kezeli: MP3, WMA (nem garantált mindegyik ilyen típusú fájl lejátszása)

Bluetooth: V2.1 + EDR, működési távolság 10 m-ig

RMS kimeneti teljesítmény: 2 x 45 W.

Magas és mély hangok beállítása: -9dB ~ + 9dB.

Mikrofon: 2 x 6,5 mm-es bemenet, vezetékes mikrofon csatlakoztatása.

2 x vezeték nélküli mikrofon (frekvencia: 208,8 MHz, 215MHz, tápellátás: 2 x 1,5 V, AA)

Áramfelvétel: 90W;

Áramfelvétel készenléti állapotban: <0.5W.

(A fenti műszaki adatok előzetes értesítés nélkül megváltoztathatók).

VAŽNE SIGURNOSNE UPUTE



UGROŽENJE OD ELEKTRIČNOG
UDARA. NEMOJTE OTVARATI

Oprez:

Kako bi se smanjila opasnost od električnog udara, nemojte skidati poklopac niti stražnji dio uređaja. Unutar uređaja ne postoje komponente za popravak od strane korisnika. Održavanje i popravak opreme izvršava isključivo kvalificirano servisno osoblje.

Objašnjenje grafičkih simbola:



Simbol munje sa sa strelicom koji se nalazi u jednakostraničnom trokutu upozorava na prisutnost neizoliranog, opasnog napona unutar kućišta uređaja koja može postići veličinu uzrokujuću strujni udar.



Uskličnik unutar jednakostraničnog trokuta upozorava korisnika da ovdje su prezentirane važne poruke za rad i održavanje opreme u dokumentaciji priloženoj uređaju.

Pročitajte ovaj priručnik prije uporabe uređaja da se upoznate sa značajkama i kako koristiti uređaj sukladno namjeni. Ovo će osigurati dugotrajan, besprijekoran rad uređaja i zadovoljstvo uz korištenje.

Važne informacije

- Sačuvajte operativne upute i sigurnosne informacije kako bi se ih moglo koristiti u budućnosti.
- Nemojte dopustiti da na uređaj kapa ili proliva se bilo koja tekućina.
- Ne smijete se također koristiti na vlažnim mjestima, kao što su npr. kupaoonica.
- Ne postavljajte uređaj na sljedećim mjestima:
- Izložen suncu ili blizu grijalica.
- Na vrh druge stereo opreme koja generira toplinu.
- Tako da blokira ventilaciju ili u prašnjavom mjestu.
- U okruženju izloženom neprekidnim vibracijama.
- U područjima visoke vlage.
- Ne postavljajte uređaj blizu otvorenog plamena ili otvorene vatre.
- Uređaj se može koristiti samo na način opisan u ovim uputama.
- Prije prvog uključivanja napajanja, pobrinete se da je napajanje ispravno pripojeno.
- USB memoriju se pripaja neposredno ili preko produžnog USB kabela s dužinom do 25 cm.

Iz sigurnosnih razloga, nemojte skidati poklopce ili pristupiti unutrašnjosti uređaja. Uređaj smije popravljati samo kvalificirano servisno osoblje.

Nemojte rastavljati uređaj ili otvarati njegovo kućište, jer unutra nema dijelova koje bi se moglo popraviti od strane korisnika. Ržavanje i popravak opreme izvrši isključivo kvalificirano servisno osoblje.

Sigurnosne upute

1. Pročitajte upute - prije uporabe stroja, pročitajte sve upute i informacije o sigurnosti.
2. Sačuvajte ove upute - zadržite upute za upotrebu i održavanje kako bi se ih moglo koristiti u budućnosti.
3. Poštujte upozorenja - slijedite sva upozorenja objavljena na uređaju te koje se nalaze u uputama.
4. Slijedite upute - slijedite upute i preporuke za korisnike.
5. Montaža - montirajte uređaj prema uputama proizvođača.
6. Izvori energije - uređaj treba napajati samo iz izvora koji je naveden na naljepnicama na kabelu napajanja. Ako niste igurni koju vrstu napajanja ima vaša kuća, obratite se prodavatelju ili lokalnoj energetskoj tvrtki.
7. Uzemljenje ili polarizacija napajanja - uređaj ne mora biti uzemljen. Provjerite je li utikač potpuno umetnut u utičnicu ili u produžni kabel, kako bi se spriječio otkriće igle ili kontakata. Neke verzije stroja mogu biti opremljene polariziranim utikačem izmjenične struje (jedna lopatica je šira). Ovaj utikač se može umetnuti u utičnicu samo na jedan način. Ovo je sigurnosna značajka. Ako ne možete staviti utikač u utičnicu, pokušajte ga okrenuti. Ako utikač i dalje ne odgovara utičnici, pozovite električara da to promijeni. Ne skidajte zaštitu polariziranog utikača. Kada koristite produžni kabel ili kabel za napajanje osim isporučenog s uređajem morate imati odgovarajuće čepove i potvrdu o sigurnosti potrebnu za određenu zemlju upotrebe.
8. Osiguranje kabela za napajanje - energetski kabeli moraju biti preusmjereni na takav način kako ne bi se moglo kroz njih hoditi, pritiskivati ili obrezivati bilo kojim postavljenim objektima. Obratite posebnu pozornost na utikače, utičnice i mreže, gdje kabeli izlaze iz uređaja.
9. Preopterećenja - nemojte preopteretiti zidne utičnice, produžne kabele i električne distributere, jer ovo baš može dovesti do požara ili strujnog udara.
10. Ventilacija - uređaj mora biti pravilno provjetran. Ne postavljajte uređaj na krevet, kauč ili drugu sličnu površinu. Nemojte prekrivati stroj stolnjakom, salvetom, novinama i sl.
11. Vrućina - nemojte postavljati uređaj u blizini izvora topline kao što su grijači, radijatori, peći i ostali uređaji (pojačala) koji stvaraju toplinu. Ne stavljajte na uređaj upaljenih svijeća i drugog otvorenog plamena.
12. Voda i vlaga - kako bi se smanjio rizik od požara ili električnog udara, nemojte izlagati uređaj kiši, vlazi i vodi, na primjer u sauni ili u kupaonici. Ne koristite ovaj proizvod u blizini vode, primjerice blizu kade, umivaonika, sudopera ili kade za pranje rublja, u vlažnom podrumu ili blizu bazena (ili u drugim sličnim mjestima).

14. Čišćenje - uvijek prije čišćenja isključite uređaj iz zidne utičnice. Prašinu oko zvučnika se može ukloniti suhom krpom. Ako za čišćenje će se koristiti sredstvo u obliku aerosola, sprej ne bi se smjelo da bude usmjeren izravno na stroj, ali tkaninu. Budite oprezni da ne oštetiti pogonske jedinice.
15. Dodatna oprema - nemojte koristiti pribore koji nisu odobreni od strane proizvođača, jer mogu predstavljati prijetnju za rad uređaja i za samog korisnika.
16. Pribori - nemojte postavljati uređaj na nestabilne kolice, stalku, tronožcu, nosaču ili stolu. Uređaj se može kotrljati i oštetiti se ili uzrokovati ozbiljne ozljede djeci ili odraslim osobama. Koristite samo kolice, stanke, tronožce, nosače ili stolove kojih preporučuje proizvođač ili se ih prodaje zajedno s uređajem. Montažu uređaja se mora provesti u skladu s uputama proizvođača, koristite pribore za ugradnju oobrene od strane proizvođača.
17. Premještanje stroj - uređaj postavljen na kolicama mora se premješati vrlo pažljivo. Naglo zaustavljanje, previše sila i neravne površine mogu uzrokovati da kolica s uređajem prevrne.
18. Vrijeme bez korištenja uređaja – kabel napajanja mora biti isključen iz zidne utičnice tijekom grmljavinskog nevremena ili ako se ga ne koristi duže vrijeme.
19. Servisiranje - ne pokušavajte pogledati unutrašnjost uređaja sami. Otvaranje poklopca može uzrokovati opasne napone i izložiti vas drugim opasnostima. Održavanje i popravak opreme vrši isključivo kvalificirano servisno osoblje.
20. Kada stroj nije u uporabi, izvucite mrežni utikač iz zidne utičnice. Kad je uređaj pripojen na izvor napajanja, uređaj je u stanju čekanja i nije u potpunosti isključen.
21. Rezervni dijelovi – tijekom zamjene dijelova, treba provjeriti dla li serviser je koristio rezervne dijelove koje preporučuje proizvođač ili dijelove koje su identične originalnim dijelom. Izrada zamjene neodobrenih rezervnih dijelova ugrožava od požara, strujnog udara ili drugih opasnosti.
22. Glavni osigurači – da bi se konstantno osiguralo uređaj od požara, koristite osigurače samo odgovarajuće vrstu i određenih parametara. Parametri osigurača u rasponu napona su označeni na uređaju.
23. Ne smije se da se poveća glasnoću dijela kad se sluša dio s niskom glasnoćom ili u slučaju odsutnosti ulaznog audio signala. Inače, s naglim porastom snage signala možete oštetiti zvučnik.
24. Jedini način da isključite uređaj iz izvora napajanja je takav da odspojite mrežni kabel iz zidne utičnice ili uređaja. Električna utičnica ili kabel ulazne snaga na uređaju mora biti uvijek na raspolaganju kada koristite proizvod.
25. Uređaj bi trebao biti instaliran u blizini utičnice napajanja ili produžnog kabela na takav način su oni uvijek na raspolaganju.
26. Maksimalna temperatura okoline uređaja je 35°C
27. Savjeti za elektrostatička pražnjenja - ako se rad prekine zbog elektrostatičkog pražnjenja, isključite uređaj ponovno ili premjestiti ga na drugo mjesto.
28. Baterija
 - a. Baterije se ne smije izlagati pretjeranoj toplini, npr. suncu, vatri i sličnim uvjetima.
 - b. Kod zbrinjavanja baterije, obratite pažnju na aspekte okoliša.
 - c. Ponašajte se oprezno tijekom korištenjem baterija: kako bi se spriječila curenje baterije, koje može uzrokovati ozljede ili oštećenja na uređaju:
 - Pri umetanju baterija obratite pažnju na polaritet (+ i -).
 - Nemojte koristiti različite baterije u isto vrijeme - stare i nove, alkalne baterije, standardne itd.
 - Izvadite baterije iz uređaja kad se ga neće koristiti duže vrijeme.

UPOZORENJE

Uređaj ne smije biti korišten od strane osoba (uključujući djecu) sa smanjenim fizičkim, osjetljivim ili mentalnim sposobnostima te osoba s nedovoljnim znanjem i iskustvom, ako nisu one pod nadzorom osobe odgovorne za njihovu sigurnost i nisu obučeni o tome kako sigurno koristiti uređaj. Prisutnost odraslih je potrebna ako uređaj koriste djeca; ovo će osigurati sigurnu uporabu uređaja.

1. Nikada ne ostavljajte stroj da radi bez nadzora! Isključite uređaj kada nije u uporabi, čak i za kratko vrijeme.
2. Uređaj se ne može upravljati putem vanjskog sata s timerom, ili posebnim sustavom daljinskog upravljanja.
3. Da bi se izbjegla opasnost u slučaju štete za zamjenu kabela napajanja treba se obratiti proizvođaču, ovlaštenom servisu ili drugim stručnim osobama.
4. Prije uporabe uređaja, provjerite je li napon odgovara naponu koji je nastao u mrežnom naponu.
5. Nemojte prekrivati ventilacijske otvore uređaja, npr. papirom, tkaninama, zavjesama, itd. Uvjerite se da uređaj ima najmanje 20 cm slobodnog prostora, a na svakoj strani - najmanje 5 cm.
6. Nemojte dopustiti da na uređaj kapaju ili prolivaju tekućine, te nemojte stavljati posude s tekućinom, poput vaza.
7. Kako biste spriječili požar ili strujni udar, uređaj mora biti zaštićen od žarišta, kiše, vlage i prašine.
8. Ne postavljajte uređaj blizu izvora vode, npr. slavine, kade, bazena ili perlice rublja. Staviti uređaj na ravnu i stabilnu površinu.
9. Nemojte da uređaj izlažite jakim magnetskim poljima.
10. Nemojte da uređaj stavljajte izravno na pojačalu ili prijammiku.
11. Ne postavljajte uređaj na vlažnom mjestu, jer vlaga ima štetan učinak na električne komponente.
12. Dovodjenje uređaja iz hladnog u toplo vlažnom mjestu može uzrokovati kondenzaciju na leći unutar playera. U ovom slučaju, uređaj neće raditi ispravno. Uređaj se mora ostaviti uključen oko jedan sat kako bi se omogućilo isparavanje vlage.
13. Izbjegavajte korištenje kemijskih otapala, jer mogu oštetiti boju kućišta. Uređaj se obriše čistom, suhom ili vlažnom krpom.
14. Prilikom uklanjanja utikača iz zidne utičnice, uvijek povucite utikač, a ne kabel.
15. Kada uređaj se koristi u blizini uključenog televizora, ovo može biti izvor buke ili slike u obliku linije na zaslonu uređaja. Ovo ovisi o propusnosti emitiranja valova. To ne označava kvar uređaja ili televizora, ako vidite takve linije, pomaknite uređaj dalje od TV prijammika.
16. Mrežni utikač se upotrebljava za isključivanje napajanja zato mora biti uvijek na raspolaganju.
17. Da biste spriječili moguću gubitak sluha, ne slušajte glasno glazbu kroz duže vrijeme.



NAPOMENA



Izjava

Niže navedenim Blaupunkt Competence Center 2N-Everpol Sp. z o.o. izjavljuje da je ovaj proizvod u skladu sa zahtjevima i drugim relevantnim odredbama Direktive 2014/53/EU. Za potpunu Izjavu o sukladnosti posjetite stranicu www.blaupunkt.com na kartici proizvoda.

Odgovorni subjekt: 2N-Everpol Sp. Z o.o.

Puławska 403A, 02-801 Varšava, Poljska

Telefon: +48 22 331 99 59, e-mail: info@everpol.pl



Proizvod je izrađen od visokokvalitetnih materijala i dijelova koji se mogu reciklirati i ponovo upotrijebiti.



Ako vaš uređaj ima znak prekrížene kante za otpatke, ovo označava da je proizvod pokriven odredbama Europske direktive 2012/19/EU. Molimo poštuje zahtjeve lokalnog sustava za prikupljanje električnog otpada i elektroničke opreme. Radite u skladu s lokalnim propisima. Ne bacajte ovaj proizvod zajedno s kućnim otpadom. Ispravnim odlaganjem starog proizvoda spriječit ćete potencijalne negativne posljedice na okoliš i zdravlje ljudi.



Uređaj je opremljen sa baterijama obuhvaćenim Europskom direktivom 2006/66/EC. Baterije se ne smije odlagati zajedno s komunalnim otpadom. Molimo pogledajte lokalne propise o zasebnom prikupljanju baterija jer ispravnim odlaganjem spriječit ćete potencijalne negativne posljedice na okoliš i zdravlje ljudi.

Informacije o zaštiti okoliša

Paket uključuje samo nužne komponente. Svaki napor je napravljen da bit tri sastavni komponenti paketa lako odvojili: karton (kutija), polistirenska pjena (zaštita unutra) i polietilen (vrećica, zaštitna folija). Uređaj je izrađen od materijala koje se može reciklirati i ponovo upotrijebiti nakon demontaže od strane specijalizirane tvrtke. Poštujte lokalne propise o raspolaganju iskorištenih ambalažnih materijala, baterija i nepotrebne opreme.

Snimanje i reprodukcija materijala može zahtijevati pristanak. Vidi Zakon o autorskim pravima i prava izvođača/umjetnika.

Napomena o ERP2 (oprema koja se odnosi na energiju)

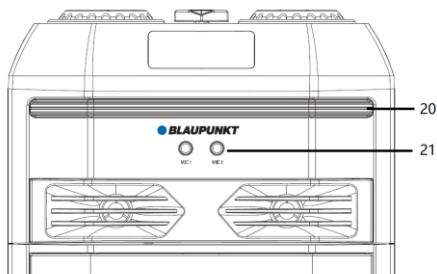
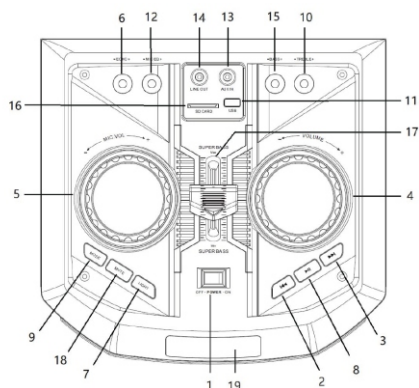
Ovaj ekodizajnirani uređaj zadovoljava zahtjeve 2. faze Uredbe Komisije (EZ) br. 1275/2008 kojom se provodi Direktivu 2009/125/EZ o potrošnji energije od strane isključenih i elektroničkih uređaja ili uređaja u modu čekanja za uredsku i kućnu uporabu.



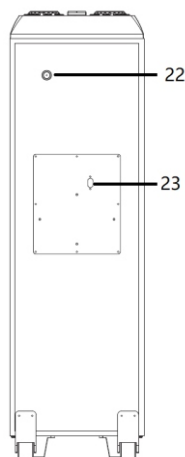
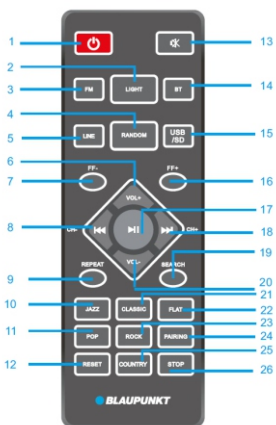
Vlasnik zaštitnog znaka i logotipa Bluetooth® je tvrtka Bluetooth SIG, Inc. USA. Upotreba tih znakova i logotipa podliježe licenci. Ostali zaštitni znakovi i trgovački nazivi su u vlasništvu određenih vlasnika.

Zahvaljujemo na kupnji našeg uređaja. Prije rukovanja pažljivo pročitajte i upoznajte se s ovim uputama. Molimo da sačuvate upute za buduću upotrebu.

Upravljačka ploča



- 1-Tipka za uključavanje / isključavanje; 2,3- Prethodni / sljedeći; 4- Upravljanje jačinom zvuka; 7- Disko rasvjeta;
- 5- Podešavanje jačine zvuka mikrofona; 6- Podešavanje eha mikrofona; 11- USB port; 12- Podešavanje visokih i niskih tonova mikrofona; 13- AUX IN ulaz;
- 8- Reprodukcija / pauza; 9- Tipka izbora izvora; 10,15- Podešavanje niskih i visokih tonova;
- 14- LINE OUT audio izlaz; 16- Utor za SD karticu; 17- Funkcija Super bass; 18- Utišanje; 19- Zaslon;
- 20- Osvjetljenje Disco; 21- Utičnica za mikrofon 1 i 2; 22- Utičnica za antenu FM;
- 23- Utičnica za napajanje izmjeničnom strujom;



Daljinski upravljač

- 1 - Tipka za uključivanje;
- 2- Tipka za uključivanje/isključivanje disko rasvjeta;
- 3, 5,14,15- Tipka za izbor izvora zvuka FM / LINE IN / Bluetooth / USB / SD;
- 4-Tipka za uključivanje/isključivanje funkcije nasumične reprodukcije
- 6,20- Jačina zvuka +/-;
- 7,16- Tipka za brzo premotavanje FF - / +;
- 8,18- Prethodni i sljedeći, tipka za kanal - / +;
- 9- Tipka za ponavljanje (ponavlja jednu pjesmu / ponovi sve / isključi);
- 10,11,21,22,23,25- Tipka za EQ (Jazz / POP / Classic / Flat / Rock / Country)
- 12- Tipka za resetiranje;
- 13- Tipka za isključivanje zvuka;
- 17- Reprodukcija / pauza;
- 19- Tipka za pretragu;
- 24- Tipka za povezivanje;
- 26- Tipka stop;

HRVATSKA

Priključivanje na napajanje: Molimo da provjerite odgovara li izvor napajanja specifikaciji nazivnog napona koja se nalazi na stražnjem panelu uređaja. Ako ne odgovara, onda kontaktirajte prodavača ili servisni centar.

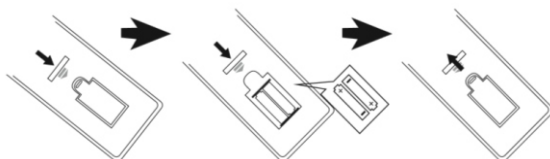
Umetnite ženski utikač kabla za napajanje u utičnicu uređaja, a zatim priključite utikač kabla za napajanje u zidnu utičnicu radi dobivanja izvora napajanja.



Punjenje baterije: Uređaj ima ugrađenu bateriju koja omogućuje reprodukciju glazbe bez priključivanja na izmjeničnu struju. Tijekom punjenja baterije, indikator napunjenosti koji se nalazi u gornjem lijevom kutu, svijetli će crvenom bojom. Indikator napunjenosti će promijeniti boju u zelenu nakon što se baterija u potpunosti napuni. Baterija će se puniti i nakon isključivanja uređaja, uz dostupan izvor izmjenične struje. Vrijeme punjenja baterije iznosi 6 ~ 8 sati a vrijeme reprodukcije - 3 ~ 4 sata, ovisno o jačini zvuka tijekom reprodukcije. Uređaj će se automatski isključiti, ako je razina napunjenosti baterije slaba – potrebno je napuniti bateriju za daljnju reprodukciju. U desnom donjem kutu zaslona nalazi se simbol baterije; preporučujemo započeti punjenje baterije, ako se na zaslonu prikazuje simbol baterije sa samo jednim blokom.

Umetanje baterija daljinskog upravljača

Otvorite poklopac pretinca za baterije i umetnite 2 baterije tipa AAA(u kompletu). Provjerite jesu li baterije umetnute u skladu sa simbolima pozitivnog i negativnog polariteta otisnutim u pretincu. Zatim zatvorite poklopac pretinca za baterije.



Napomene:

- Najbolja je radna udaljenost daljinskog upravljača 5 metara bez ikakvih prepreka. Dok se koristi, senzor daljinskog upravljača usmjerite prema prednjem dijelu uređaja.
- Osjetljivost daljinskog upravljača postaje slabija zbog trošenja baterija. Istrošene baterije treba zamijeniti novima.
- Izvadite bateriju, ako se uređaj ne koristi duže vrijeme.
- Baterije se moraju baciti na način koji je pogodan za okoliš. U tu svrhu upoznajte se sa zahtjevima lokalnih vlasti.

Opće rukovanje

- Uključivanje / isključivanje:** Preklopi prekidača napajanja koji se nalazi na gornjem panelu za uključivanje ili isključivanje zvučnika; pritisnite tipku napajanja na daljinskom upravljaču za prijelaz u stanje pripravnosti ili isključivanje uređaja; Preporučujemo potpuno isključivanje uređaja ako se ga ne koristi duže vrijeme.
- Izbor izvora reprodukcije:** Pritisnite tipku izbora izvora na gornjem panelu ili pritisnite FM, BT, LINE, tipku USB/SD na daljinskom upravljaču da biste izmijenili izvor reprodukcije u FM / Bluetooth / Line in / USB/SD.
- Podešavanje jačine zvuka:** Okrenite tipku za podešavanje jačine zvuka na gornjem panelu ili pritisnite tipku VOL +/- na daljinskom upravljaču da biste pojačali ili smanjili jačinu zvuka. Tipka VOL +/- na daljinskom upravljaču uglavnom se koristi za podešavanje glasnoće u ograničenom obmoćju. Maksimalnu glasnoću se podešava pomoću glavnog okretnog gumba glasnoće. Ako izgubite daljinski upravljač i razina glasnoće je preniska, isključite i ponovno uključite uređaj, a zatim će se postavka glasnoće resetirati.
- Podešavanje visokih i niskih tonova:** okrenite okretni gumb visokih i niskih tonova na gornjem panelu za podešavanje izlaznog zvuka.
- Isključivanje zvuka:** Pritiskanje na tipku MUTE na gornjem panelu ili na daljinskom upravljaču isključuje zvuk; ponovno pritiskanje na tu tipku uključuje zvuk na ranije podešenoj razini.
- Podešavanje ekvilizatora:** Pritiskanje na prikladnu tipku na daljinskom upravljaču omogućuje promjenu režima ekvilizatora u Jazz / Classic / Flat / POP / ROCK/ Country (dostupno samo u režimu USB / SD).

7. Reprodukcija / pauza: pritisnite tipku za reprodukciju / pauzu da biste obustavili ili ponovno pokrenuli reprodukciju glazbe u režimu Bluetooth / USB.

8. Ponavljanje i nasumična reprodukcija: pritisnite tipku za ponavljanje da biste uključili adekvatnu funkciju ponavljanja pjesama; pritisnite tipku za nasumičnu reprodukciju da biste uključili / isključili funkciju nasumične reprodukcije u režimu USB/SD.

9. Rasvjeta: nekoliko puta pritisnite tipku za rasvjetu da biste mijenjali funkciju rasvjete i izabrali jedan od osam efekta ili da biste ih isključili.

10. Reset: pritisnite tipku za resetiranje na daljinskom upravljaču da biste vratili tvorničke postavke uređaja.

11. Super bass: pritisnite tipku super bass da biste pojačali zvuk niske frekvencije.

Rukovanje FM radijom

Prije slušanja FM radija uređaj stavite pokraj prozora za bolji prijem signala FM. Stavite priloženu žičanu antenu FM u antensku utičnicu FM koja se nalazi na stražnjem panelu uređaja. Za bolji prijem signala u potpunosti izvucite antenu.

1. Automatsko traženje i programiranje radio stanica (automatski režim): kratko pritiskanje na tipku za reprodukciju / pauzu na gornjem panelu ili pritiskanje na tipku za pretragu na daljinskom upravljaču pokreće režim automatskog traženja i spremanja dostupnih radio stanica. Nakon traženja, uređaj će automatski pokrenuti reprodukciju prve programirane stanice. (Maksimalni podržavani broj programiranih stanica: 40)

2. Izbor radio stanica: u režimu radija pritisnite tipku sljedeći / prethodni na gornjem panelu ili daljinskom upravljaču da biste izabrali i slušali prethodnu ili sljedeću programiranu stanicu.

3. Ručno podešavanje: kratko pritisnite tipku FF +/- na daljinskom upravljaču da biste podesili radio stanice na svakih 0,1 MHz; pritisnite i pridržite 2 sekunde tipku prethodni / sljedeći da biste detektirali sljedeću stanicu prema gore ili prema dolje i automatski počeli slušati stanicu.

Reprodukcija USB/SD

Uređaj ima funkciju reprodukcije USB/SD, koja može dekodirati i reproducirati glazbu s prijenosnih USB/SD memorija. Prije reprodukcije, kopirajte glazbu MP3/WMA u prijenosnu memoriju; umetnite memoriju u uređaj jer je funkcija reprodukcije USB/SD dostupna samo ako je memorija pravilno priključena. Zatim će uređaj automatski detektirati i reproducirati datoteke MP3/WMA.

Izbor pjesme: kratko pritisnite tipku prethodni/sljedeći da biste izabrali prethodnu ili sljedeću pjesmu; pritisnite i pridržite tipku za prematavanje da biste premotali trenutno reproduciranu pjesmu prema naprijed, pustite tipku da biste nastavili s reprodukcijom pjesme.

U režimu USB/SD dostupne su sljedeće funkcije: reprodukcija / pauza, isključivanje zvuka, ponavljanje, ekvilizator, podešavanje visokih / niskih tonova/funkcija stop i sl. Detaljne informacije nalaze se u točki „Opće rukovanje“ ovih uputa.

Napomene:

a) Ne preporučuje se priključivanje USB memorije pomoću produžnog USB kabela jer to može negativno utjecati na kvalitetu reprodukcije i izazivati buku ili isprekidan zvuk zbog gubitka audio podataka tijekom slanja datoteka.

b) Ne garantira se dekodiranje i reprodukcija svih pjesama u MP3/WMA formatu.

c) Uređaj podržava memoriju maksimalnog kapaciteta od 32 GB.

d) Automatska reprodukcija nekih USB memorija može trajati malo duže s obzirom na tip i proizvođača; treba imati na umu da to nije kvar.

Korištenje Bluetootha

Ovaj proizvod ima Bluetooth funkciju koja omogućuje bežičnu reprodukciju glazbe s drugog Bluetooth uređaja (kao što je pametni telefon, tablet i sl.).

1. Nekoliko puta pritisnite tipku izboru izvora da biste izabrali režim Bluetooth, a simbol Bluetooth će treperiti na zaslonu, što znači da je uređaj spreman za povezivanje.

2. Uključite funkciju Bluetooth na vanjskom uređaju i potražite dostupne uređaje (upoznajte se s uputama za upotrebu vanjskog uređaja), a zatim provjerite dostupne Bluetooth uređaje na popisu. Označite "BP PS11DB" za povezivanje, a simbol Bluetooth će biti neprekidno upaljen nakon uspješnog povezivanja.

3. Izaberite i reproducirajte glazbu s vanjskog Bluetooth uređaja –zvuk će se reproducirati pomoću zvučnika na ovom uređaju.

4. Pritisnite tipku prethodni / sljedeći da biste izabrali posljednju i sljedeću pjesmu za reprodukciju.

5. U režimu Bluetooth dostupna je funkcija reprodukcija / pauza, isključivanje zvuka, ekvilizator, podešavanje niskih i visokih tonova. Detaljne informacije nalaze se u točki „Opće rukovanje“ ovih uputa.

Napomene:

a. Ne možemo garantirati pravilno povezivanje sa svim Bluetooth uređajima zbog različitih projekata i marki.

b. Radna udaljenost Bluetooth je 10 metara bez ikakvih prepreka.

c. Uređaj se može istodobno povezivati i raditi s jednim Bluetooth uređajem.

d. U slučaju dolaznog poziva za vrijeme Bluetooth reprodukcije glazba će se na trenutak zaustaviti i ponovno pokrenuti nakon završetka telefonskog razgovora.

e. Pritisnite tipku za povezivanje s daljinskom upravljača da biste prekinuli trenutnu vezu s Bluetooth uređajem i uspostavili vezu s drugim uređajem.

Rad u AUX IN

Da biste priključili i reproducirali glazbu iz drugog playera ili uređaja, slijedite sljedeće upute:

Koristeći audio kabl(u kompletu) spojite utičnicu AUX IN na gornjem panelu uređaja s linijskim izlazom ili utičnicom za slušalice playera kao što je MP3, CD, DVD player, mikser i sl. Zatim izaberite i reproducirajte glazbu na vanjskom playeru, a zvuk će se reproducirati pomoću ovog uređaja.

U režimu AUX-IN reprodukcijom se upravlja s vanjskog playera. Na tom uređaju možete podešavati jačinu zvuka, isključiti zvuk i podešavati razinu basova i soprana.

Linearni izlaz: pomoću audio kabela (uključen u setu) pripojite LINE OUT izlaz na gornjem panelu a drugi priključak priključite na AUX IN utičnicu na vanjskom aktivnom zvučniku. Odaberite i reproducirajte glazbu na ovom uređaju, a zvuk će se reproducirati i na zvučnicima ovog uređaja i preko aktivnog vanjskog zvučnika.

Karaoke

Otvorite poklopac za baterije bežičnog mikrofona (u kompletu), umetnite 2 suhe baterije AA (nisu u kompletu) u skladu s utisnutim u pretincu za baterije simbolom za pozitivni i negativni polaritet, a zatim zatvorite poklopac za baterije mikrofona. Da biste uključili mikrofonski prekidač u položaj uključenosti. Nakon nekoliko sekundi, zvučnik će se automatski povezati s bežičnim mikrofonom. Na gornjem panelu podesite adekvatnu jačinu izlaznog zvuka mikrofona, a zatim počnite pjevati. Uređaj ima i dvostruku ulaznu utičnicu za žičani mikrofonski prekidač (nije u kompletu) u utičnicu 6,5 mm, a zatim uključite mikrofonski prekidač da biste mogli pjevati.

Porady:

- Ako koristite mikrofonski prekidač za karaoke, okrećući okretnog gumba na gornjem panelu, možete podesiti adekvatnu jačinu izlaznog zvuka mikrofona / visokih tonova / basa / eha.
- Zvučnik može emitirati buku ili deformirati zvuk, ako su jačina zvuka, postavke basova i soprana ili funkcija eha na previsokoj razini. To nije kvar. Treba smanjiti gore navedene postavke, a zatim uključiti ili isključiti mikrofonski prekidač.
- Možete koristiti funkciju karaoke i slušati glazbu u isto vrijeme; ako želite pojačati karaoke i smanjiti jačinu glazbe u pozadini, pomoću odgovarajućih tipki možete posebno podešavati jačinu zvuka mikrofona i jačinu zvučnika.
- Isključite mikrofonski prekidač dok ga stavljate blizu zvučnika jer to izaziva jaku buku.
- Na kućištu bežičnog mikrofona nalazi se tipka za smanjivanje jačine zvuka kojom smanjujete jačinu zvuka mikrofona.

Rješavanje problema

- Zvučnik se ne uključuje
 - Provjerite je li napajanje pravilno priključeno.
- Nema zvuka
 - Pokušajte podesiti tipku za jačinu zvuka i provjerite izvor reprodukcije.
 - Kontaktirajte servisni centar ako ne uspijete riješiti problem.
- Deformacija zvuka
 - Probajte prilagoditi i reproducirati glazbu s manjom jačinom zvuka.
 - Provjerite regulaciju visokih / niskih tonova.
- Šumovi tijekom slušanja FM radija
 - Premjestite uređaj na drugo mjesto za bolji prijem signala.
 - Uključite ponovno traženje ili promijenite stanicu.
 - Pokušajte izvaditi FM antenu i podesiti njenu usmjerenost.

Specifikacija

Izvor napajanja: AC 110-240V, 50/60 Hz.

Napajanje baterijom: 18V/4.5AH

Frekvencija FM: 87,5-108,0 MHz.

USB priključak: 5 V, 500 mA, inačica 2.0, podržava masovne memorije do 32 GB.

SD kartica: podržavaju se nosači zvuka do 32 GB.

USB / SD kartice podržavaju glazbene formate: MP3, WMA (reprodukcija svih datoteka tog tipa nije garantirana)

Bluetooth: V2.1 + EDR, radna udaljenost do 10 m

Izlazna snaga RMS: 2 x 45W.

Podešavanje visokih i niskih tonova: -9dB~+9dB.

Mikrofon: ulaz 2 x 6,5 mm, priključivanje bežičnog mikrofona.

2 x bežični mikrofonski prekidač (frekvencija: 208,8 MHz, 215MHz, izvor napajanja: 2 x 1,5V, AA)

Potrošnja energije: 90W

Potrošnja energije u stanju pripravnosti: <0.5W.

(Gore navedena specifikacija može se promijeniti bez prethodnog obavještenja).

INSTRUCȚIUNI IMPORTANTE REFERITOARE LA SIGURANȚĂ



Avertisment:

Pentru a diminua riscul de electrocutare, nu demontați capacul sau partea din spate a dispozitivului. În interiorul dispozitivului nu există elemente care să poată fi reparate de utilizator. De mentenanța și reparația echipamentului se ocupă exclusiv angajații calificați ai service-ului.

Explicarea simbolurilor grafice:



Simbolul fulgerului terminat cu o săgeată, plasat într-un triunghi echilateral, avertizează utilizatorul împotriva unei „tensiuni periculoase” neizolate în carcasa dispozitivului, care poate atinge dimensiunea pericolului de electrocutare.



Semnul exclamării într-un triunghi echilateral avertizează utilizatorul că în acest moment sunt prezentate informații importante referitoare la operarea și mentenanța echipamentului în documentația anexată la dispozitiv.

Rugăm să citiți aceste instrucțiuni înainte de a trece la operarea dispozitivului, să vă familiarizați cu funcțiile acestuia și să le folosiți conform destinației. Acest lucru va asigura o operare de lungă durată și fără avarii a dispozitivului, precum și plăcerea de a-l utiliza.

Informații importante

- Instrucțiunile de operare și informațiile referitoare la siguranță trebuie păstrate în scopul folosirii lor în viitor.
- Nu permiteți ca pe dispozitiv să picure sau să se verse vreun lichid.
- Nu îl folosiți în locuri umede, cum ar fi de ex. sala de baie.
- Dispozitivul nu poate fi montat în următoarele locuri:
- Expus la lumina directă a soarelui sau în apropierea caloriferelor.
- Plasat deasupra unui alt dispozitiv stereofonic care emite căldură.
- Blocând ventilația sau într-un loc prăfuit.
- În locuri expuse la vibrații constante.
- În locuri cu umiditate ridicată.
- Nu așezați dispozitivul în apropierea lumânărilor sau a focului deschis.
- Dispozitivul poate fi folosit exclusiv în modul descris în instrucțiunile de mai jos.
- Înainte de prima pornire, asigurați-vă că sursa de alimentare este conectată în mod corespunzător.
- Stick-urile USB se conectează direct sau folosind un prelungitor USB cu lungime de până la 25 cm.

Din motive de securitate, nu demontați carcasa, deoarece în interior nu există elemente ce ar putea fi reparate de utilizator. De mentenanța și repararea echipamentului se ocupă exclusiv angajații calificați ai service-ului.

Nu demontați și nu deschideți carcasa, deoarece în interior nu există elemente ce ar putea fi reparate de utilizator. De mentenanța și repararea echipamentului se ocupă exclusiv angajații calificați ai service-ului.

INSTRUCȚIUNI REFERITOARE LA SIGURANȚĂ

1. Citiți instrucțiunile – înainte de utilizarea dispozitivului, citiți în întregime instrucțiunile de utilizare, precum și informațiile referitoare la siguranță.
2. Urmați instrucțiunile – păstrați instrucțiunile de utilizare și operare în scopul folosirii lor în viitor.
3. Respectați avertismentele – procedați conform tuturor avertismentelor plasate pe dispozitiv, precum și conform instrucțiunilor de utilizare.
4. Urmați instrucțiunile – procedați conform instrucțiunilor de operare și indicațiilor pentru utilizator.
5. Instalare – setați dispozitivul conform instrucțiunilor producătorului.
6. Surse de alimentare – dispozitivul trebuie alimentat exclusiv de la surse cu parametrii indicați în marjele de pe cablu de alimentare. Dacă utilizatorul nu este sigur de tipul de alimentare de care dispune acasă, trebuie să contacteze vânzătorul dispozitivului sau furnizorul local de energie electrică.
7. Impănăntarea sau polarizarea alimentării – dispozitivul nu trebuie să fie împănântat. Trebuie să vă asigurați că ștecherul este introdus complet în priză sau în prelungitor pentru a nu permite expunerea bolțurilor sau a contactelor. Unele versiuni ale dispozitivului pot fi echipate cu ștecher polarizat de curent alternativ (cu un singur bolt mai larg). Acest ștecher poate fi introdus în priză de rețea doar într-un singur mod. Aceasta este o funcție de protecție. Dacă ștecherul nu poate fi introdus în priză, trebuie încercată rotirea acestuia. Dacă ștecherul în continuare nu se potrivește la priză, trebuie solicitată înlocuirea acestui ștecher de către un electrician. Nu scoateți elementele de protecție din ștecherul polarizat. Când utilizați un prelungitor sau un cablu de alimentare altul decât cel furnizat împreună cu dispozitivul, acestea trebuie să aibă ștecherule corespunzătoare, precum și atestatul de securitate necesar în țara dată.
8. Protecția cablului de alimentare – cablurile de alimentare trebuie plasate astfel încât să nu poată fi călcate, presate sau tăiate de obiectele din jur. Acordați o atenție deosebită ștecherelor, prizelor de rețea și locurilor în care cablurile sunt direcționate de la dispozitiv.
9. Supraîncărcare – Nu supraîncărcați prizele de perete, prelungitoarele și repartitoarele electrice, deoarece acest lucru poate provoca incendii sau electrocutări.
10. Ventilație – dispozitivul trebuie să fie corect ventilat. Dispozitivul nu poate fi pus pe pat, sofa sau suprafețe similare. Nu acoperiți dispozitivul cu fețe de masă, șervețele, ziare, ș.a..
11. Căldură – nu plasați dispozitivul în apropierea unor surse de căldură, precum calorifere, radiatoare, sobe sau alte dispozitive (de asemenea amplificatoare) care generează căldură. Nu puneți pe dispozitiv lumânări aprinse și alte surse de foc deschis.

12. Apă și umezeală – pentru a reduce riscul de incendiu sau electrocutare, nu expuneți dispozitivul la ploaie, apă și umiditate directă, ca de ex. în saună sau baie. Nu folosiți dispozitivul în apropierea apei, de exemplu lângă cadă, lavoar, chiuveta de bucătărie, într-o pivniță umedă sau în apropierea unei piscine (sau în locuri similare).
13. Obiecte și lichide în dispozitiv – nu trebuie forțate niciun fel de obiecte prin deschiderile dispozitivului, deoarece acestea pot să intre în contact cu punctele de tensiune periculoasă și cu componentele, ceea ce poate provoca incendiu sau electrocutare. În niciun caz nu vărsați niciun fel de lichide pe suprafața dispozitivului. Nu puneți pe suprafața dispozitivului obiecte ce conțin lichide.
14. Curățarea – scoateți întotdeauna dispozitivul din priză înaintea de curățare. Praful din jurul difuzorului poate fi îndepărtat cu o cârpă uscată. Dacă se utilizează un aerosol pentru curățare, nu îndreptați jetul de pulverizare direct spre dispozitiv, ci spre cârpă. Aveți grijă să nu deteriorați unitățile de comandă.
15. Echipare suplimentară – nu folosiți accesorii care nu sunt aprobate de producător, deoarece pot constitui un pericol.
16. Accesorii – nu așezați dispozitivul pe un cărucior, postament, stativ, suport sau masă instabile. Dispozitivul se poate răsturna sau deteriora și poate provoca vătămări grave copiilor sau persoanelor adulte. Folosiți numai cărucioare, postamente, stativ, suporturi și mese specificate de producător sau vândute împreună cu dispozitivul. Montarea dispozitivului trebuie efectuată în conformitate cu instrucțiunile producătorului, folosind setul de montaj recomandat de producător.
17. Mutarea dispozitivului – dispozitivul plasat pe cărucior trebuie deplasat cu multă grijă. Oprirea bruscă, forța prea mare sau suprafețele neuniforme pot provoca răsturnarea căruciorului împreună cu dispozitivul.
18. Perioada de nefolosire a dispozitivului – cablul de alimentare al dispozitivului trebuie deconectat de la priza de rețea în timpul furtunilor cu descărcări atmosferice sau când dispozitivul nu va fi folosit pentru o perioadă mai lungă de timp.
19. Servisare – nu încercați să servișați singur dispozitivul. Deschiderea capacului poate duce la contactul cu o tensiune periculoasă și poate expune utilizatorul la alte pericole. De mentenanță și repararea echipamentului se ocupă exclusiv angajații calificați ai service-ului.
20. Când dispozitivul nu este utilizat, ștecherul de alimentare trebuie deconectat de la priza de rețea. Când dispozitivul este conectat la sursa de alimentare, se află în regim de stand by și nu este complet închis.
21. Piese de schimb – la înlocuirea pieselor, trebuie verificat dacă angajatul service-ului a folosit piesele de schimb recomandate de producător sau dacă aceste piese sunt identice cu cele originale. Înlocuirea cu piese neaprobate poate duce la incendii, electrocutare sau alte pericole.
22. Siguranțele principale – pentru a proteja în mod continuu dispozitivul împotriva incendiului, trebuie folosite siguranțe de tip și parametri corecți. Parametrii siguranțelor în acest interval sunt marcați pe dispozitiv.
23. Nu măriți volumul când ascultați o parte dintr-un cântec înregistrat cu volum redus sau în cazul lipsei semnalului audio de început. În caz contrar se poate ajunge la deteriorarea difuzorului în momentul creșterii rapide a intensității semnalului.
24. Singurul mod de a deconecta complet dispozitivul de la sursa de alimentare este deconectarea cablului de alimentare din priza de alimentare sau din dispozitiv. Priza de rețea sau intrarea cablului de alimentare în dispozitiv trebuie să fie mereu accesibile în timpul utilizării produsului.
25. Dispozitivul trebuie amplasat în apropierea unei prize de perete sau a unui cablu prelungitor și astfel încât să fie mereu accesibil.
26. Temperatura maximă ambiantă pentru dispozitiv este de 35°C.
27. Instrucțiuni referitoare la descărcările electrostatice – dacă funcționarea dispozitivului este perturbată de descărcări electrostatice, acesta trebuie oprit și repornit sau mutat în alt loc.
28. Bateria
 - a. Bateriile nu pot fi expuse la căldură excesivă, cum ar fi razele de soare, foc, ș.a.
 - b. Când aruncați bateriile, acordați atenție aspectelor legate de protecția mediului.
 - c. Avertisment referitor la folosirea bateriei: pentru a nu permite pierderea etanșeității bateriei, ceea ce poate provoca vătămări corporale sau deteriorare a dispozitivului:
 - În timpul introducerii bateriei, respectați polaritatea acesteia (+ și -).
 - Nu folosiți în același timp baterii diferite — vechi și noi, baterii standard și alcaline, ș.a.
 - Scoateți bateriile din dispozitiv, atunci când acesta nu este folosit pentru o perioadă mai lungă.

ATENȚIE

Dispozitivul nu trebuie folosit de persoanele (inclusiv copiii) cu capacități fizice, senzoriale sau mentale reduse, precum și de persoanele cu cunoștințe și experiență insuficiente, în cazul în care nu se află sub supravegherea unei persoane responsabile pentru siguranța lor și nu au fost instruite cum să folosească dispozitivul în condiții de siguranță. Prezența persoanelor adulte este necesară, dacă dispozitivul este folosit de copii; aceasta va permite o folosire în condiții de siguranță a dispozitivului.

1. Nu lăsați dispozitivul nesupravegheat în timpul funcționării! Dispozitivul trebuie închis când nu este folosit, chiar și pentru o perioadă scurtă de timp.
2. Dispozitivul nu poate fi folosit prin intermediul unui temporizator extern și nici cu ajutorul unui sistem separat cu comandă de la distanță.
3. Pentru evitarea pericolului în cazul deteriorării cablului de alimentare, înlocuirea trebuie efectuată de producător, de punctul autorizat de service sau de o altă persoană calificată în acest sens.
4. Înainte de a începe deservirea dispozitivului, trebuie verificat dacă tensiunea acestuia corespunde tensiunii din rețeaua locală de alimentare.
5. Nu acoperiți orificiile de ventilație ale dispozitivului cu ziare, fețe de masă, draperii, ș.a. Trebuie să vă asigurați că deasupra dispozitivului există cel puțin 20 cm de spațiu liber, iar pe fiecare parte a acestuia – cel puțin 5 cm.
6. Nu permiteți ca pe dispozitiv să picure sau să se verse vreun lichid, nu plasați pe acesta obiecte pline cu lichid, cum ar fi vasele.
7. Pentru a evita incendiile sau electrocutarea, dispozitivul trebuie protejat împotriva locurilor fierbinți, ploii, umezelii și prafului.
8. Nu așezați dispozitivul în apropierea oricărei surse de apă, de ex. robinete, căzi, mașini de spălat sau piscine. Dispozitivul trebuie plasat pe o suprafață dreaptă și stabilă.
9. Nu expuneți dispozitivul la câmpuri magnetice puternice.

10. Nu așezați dispozitivul direct pe amplificator sau amplituner.
11. Nu așezați dispozitivul într-un loc umed, deoarece umiditatea are efect dăunător asupra componentelor electrice.
12. După mutarea dispozitivului dintr-un loc rece către un loc cald sau un loc umed, se poate forma condens pe lentila din interiorul playerului. În această situație dispozitivul nu va funcționa corect. Lăsați dispozitivul să funcționeze aproximativ o oră pentru a permite evaporarea umidității.
13. Nu curățați dispozitivul cu solvenți chimici, deoarece aceștia pot distruge lacul carcasi. Dispozitivul se curăță cu o cârpă curată, uscată sau ușor umezită.
14. Când scoateți ștecherul din priză, trageți întotdeauna de ștecher, niciodată de cablul de alimentare.
15. Când dispozitivul pornit este folosit în apropierea televizorului care funcționează, acesta poate fi o sursă de interferență în imagine, sub forma de linii pe ecran. Aceasta depinde de benzile de unde ale transmisiei tv. Aceasta nu înseamnă o funcționare defectuoasă a dispozitivului sau televizorului. Dacă astfel de linii sunt vizibile, dispozitivul trebuie îndepărtat de televizor.
16. Ștecherul de rețea este folosit pentru deconectarea de la tensiunea de alimentare și trebuie să fie mereu accesibil.
17. Pentru a preveni eventuala pierdere de auz, nu ascultați muzică la volum ridicat pentru perioade lungi de timp.



ATENȚIE



Declarație

Prin prezenta Blaupunkt Competence Center 2N-Everpol Sp. z o.o. [SRL] declara că acest dispozitiv este în conformitate cu cerințele și alte dispoziții corespunzătoare ale directivei 2014/53 / UE. Declarația completă de conformitate poate fi obținută pe pagina www.blaupunkt.com în secția produsului.

Entitate responsabilă: 2N-Everpol Sp. Z o.o.
Puławska 403A, 02-801 Varșovia, Polonia
Telefon: +48 22 331 99 59, e-mail: info@everpol.pl



Produsul a fost realizat din materiale și componente de înaltă calitate, ce pot fi reciclate și reutilizate.



Dacă pe dispozitiv se află semnul coșului de gunoi tăiat, aceasta înseamnă că produsul se înscrie în dispozițiile directivei europene 2012/19/EU. Trebuie citite cerințele referitoare la sistemul local de colectare a deșeurilor electrice și electronice. Respectați reglementările locale. Nu aruncați acest produs împreună cu deșeurile menajere obișnuite. Eliminarea corectă a produsului vechi va preveni potențialele consecințe negative pentru mediu și sănătatea umană.



Dispozitivul este echipat cu baterii care fac obiectul directivei europene 2006/66/EC. Bateriile nu pot fi aruncate împreună cu deșeurile menajere. Consultați reglementările locale privind colectarea separată a bateriilor, deoarece eliminarea corectă va împiedica potențialele consecințe negative pentru mediul natural și sănătatea umană.

Informații privind protecția mediului înconjurător

Ambalajul conține doar elementele necesare. S-au făcut toate eforturile ca cele trei materiale componente ale ambalajului să fie ușor de separat: cutia de carton (cutia), spuma de polistiren (protecție interioară) și polietilena (pungi, folie protectoare). Dispozitivul a fost produs din materiale ce pot fi reciclate și reutilizate după demontarea lor de către o firmă specializată. Trebuie respectate reglementările locale referitoare la eliminarea materialelor de ambalare, bateriilor folosite și a echipamentelor inutile.

Înregistrarea și redarea materialelor poate necesita obținerea unei autorizații. Consultați legea referitoare la drepturile de autor și drepturile executanților / artiștilor.

Remarcă referitoare la ERP2 (dispozitive legate de energie)

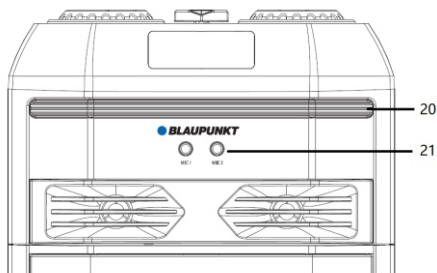
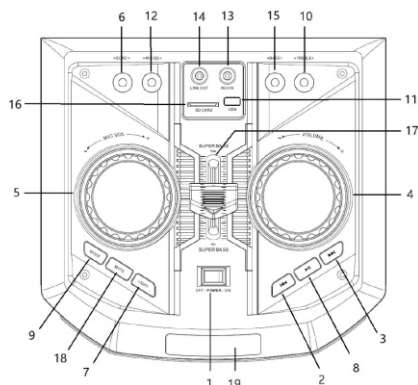
Prezentul dispozitiv cu ecoproiect îndeplinește cerințele etapei 2 din Regulamentul Comisiei (CE) nr 1275/2008 care introduce directiva 2009/125/CE referitoare la consumul de energie al dispozitivelor electronice de birou și de uz casnic, închise sau aflate în regim de stand by.



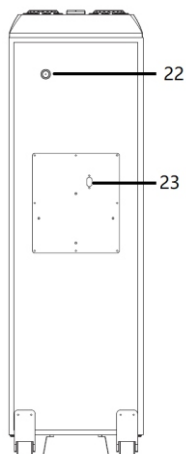
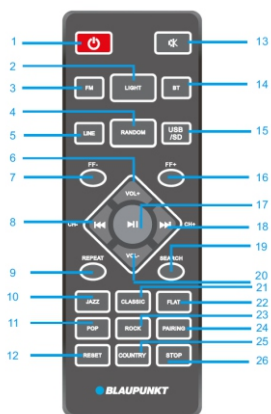
Proprietarul mărcilor comerciale și siglei Bluetooth® este compania Bluetooth SIG, Inc. USA. Folosirea acestor mărci și sigle este supusă unei licențe. Alte mărci și denumiri comerciale aparțin respectivelor proprietari.

Vă mulțumim pentru achiziționarea dispozitivului nostru. Înainte de a trece la utilizare, citiți cu atenție prezentele instrucțiuni. Vă rugăm, să păstrați instrucțiunile pentru o utilizare ulterioară.

Panou de comandă



- 1-Comutator pornire / oprire; 2,3- Precedent / următor; 4- Reglare volum; 5- Reglarea volumului microfonului;
 6- Reglarea ecoului microfonului; 7- Iluminat disco; 8- Redare / pauză; 9- Buton de selectare a sursei;
 10,15- Reglare tonuri joase și înalte; 11- Port USB; 12- Reglarea tonurilor înalte și joase ale microfonului;
 13- Intra-re AUX IN; 14- Ieșire semnal audio LINE OUT; 16- Slot pentru carduri SD card; 17- Funcția Super bass;
 18- Mod mut; 19- Afișaj; 20- Iluminare Disco; 21- Priză pentru microfon 1 I 2;
 22- Priză pentru antenă FM; 23- Priză pentru cablu de alimentare AC;



Telecomandă

- 1 - Buton alimentare;
 2- Buton pornire/oprire iluminat disco;
 3, 5,14,15- Buton de selectare a sursei de sunet FM / LINE IN / Bluetooth / USB / SD;
 4-Buton de activare/dezactivare a funcției de reproducere aleatorie
 6,20-Volum +/- ; 7,16- Buton derulare rapidă FF - / + ;
 8,18-Anterior și următor, buton canal - / + ;
 9- Buton repetare (repetăți o piesă / repetați toate piesele / opriți);
 10,11,21,22,23,25-Butoane pentru modul EQ (Jazz / POP / Classic / Flat / Rock / Country)
 12- Buton de resetare; 13- Buton mut;
 17- Redare / pauză; 19- Buton căutare;
 24- Buton imperechere;

Conectarea alimentării: Verificați dacă sursa de alimentare corespunde specificației de tensiune de pe panoul din spate al dispozitivului. Dacă nu corespunde, contactați distribuitorul sau centrul de service.

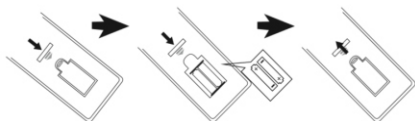
Introduceți fișa mamă a cablului de alimentare în priză de pe dispozitiv și apoi conectați cablul de alimentare într-o priză de perete pentru a obține o sursă de alimentare.



Încărcarea bateriei reincărcabile: Aparatul are o baterie reincărcabilă încorporată care permite redarea muzicii fără conectarea sursei de alimentare cu curent alternativ. În timpul încărcării bateriei, indicatorul de încărcare care se află în partea stângă sus jos al afișajului va lumina cu culoarea roșie. Indicatorul de încărcare va deveni verde după încărcare completă. De asemenea, bateria va fi încărcată, chiar și după oprirea dispozitivului, dar cu sursă de alimentare cu curent alternativ disponibilă. Timpul de încărcare a bateriei este de 6 ~ 8 ore, iar timpul redării este de - 3 ~ 4 ore în funcție de volumul redării. Dispozitivul se va opri în mod automat în cazul în care nivelul de încărcare a bateriei este scăzut; încărcați bateria pentru a continua redarea. În colțul din dreapta jos al ecranului de afișare se află simbolul bateriei, vă sugerăm să începeți încărcarea bateriei în momentul în care este afișat un singur bloc din simbolul bateriei.

Montajul bateriei de telecomandă

Îndepărtați capacul de pe compartimentul bateriei și introduceți 2 baterii de tip AAA (incluse în set); Asigurați-vă că polaritățile bateriilor se vor potrivi cu simbolurile (+) și (-) imprimare în compartiment. Apoi, închideți capacul compartimentului bateriilor.



Note:

- Cea mai bună distanță de lucru a telecomenzii este de 5 metri, fără niciun obstacol. În timpul utilizării, senzorul telecomenzii trebuie direcționat spre partea frontală a dispozitivului.
- Sensibilitatea telecomenzii va slăbi pe măsură ce bateriile se vor descărca. Bateriile uzate trebuie înlocuite cu altele noi.
- Scoateți acumulatorul în cazul în care nu utilizați dispozitivul pentru mai mult timp.
- Bateriile trebuie eliminate într-un mod prietenos pentru mediu. În acest scop, trebuie să vă familiarizați cu reglementările autorităților locale.

Utilizarea generală

- Pornire / oprire:** Comutați întrerupătorul de alimentare de pe panoul superior pentru a porni sau opri difuzorul; apăsați butonul de alimentare de pe telecomandă pentru a intra în modul de așteptare sau pentru a opri dispozitivul; Vă recomandăm să opriți complet dispozitivul dacă nu funcționează o perioadă mai lungă.
- Selectarea sursei de redare:** Apăsați butonul de selectare a sursei aflat pe panoul superior sau apăsați FM, BT, LINE, butonul USB/SD de pe telecomandă, pentru a comuta sursa de redare între FM / Bluetooth / Line in / USB/SD.
- Reglare volum:** Rotiți butonul de reglare a volumului de pe panoul superior sau apăsați butonul VOL +/- de pe telecomandă, pentru a mări sau a micșora volumul sunetului. Butonul VOL +/- de pe telecomandă este folosit în principal pentru a regla nivelul de sunet într-un interval limitat. Volumul maxim de sunet este reglat folosind butonul de volum principal. Dacă pierdeți telecomanda și nivelul volumului este prea mic, opriți și reporniți dispozitivul, atunci setarea volumului de sunet va fi resetată.
- Reglarea tonurilor înalte și joase:** rotiți butoanele de tonuri înalte și joase de pe panoul superior pentru a regla sunetul de ieșire.
- Dezactivarea sunetului:** Apăsarea butonului MUTE de pe panoul de sus sau de pe telecomandă va produce dezactivarea sunetului; O nouă apăsare a acestui buton va reduce sunetul la nivelul ajustat mai înainte.
- Setările corectorului:** Apăsarea butonului corespunzător pe telecomandă va permite schimbarea modului de lucru al corectorului între Jazz / Classic / Flat / POP / ROCK / Country (disponibile numai în modul USB / SD)
- Redare / pauză:** apăsați butonul de redare/pauză, pentru a întrerupe sau a relua redarea muzicii în modul Bluetooth / USB.
- Repetare și redare aleatorie:** apăsați butonul de repetare pentru a porni modul corespunzător de repetare a muzicii; Apăsați butonul de redare aleatorie pentru a porni / opri funcția de redare aleatorie în modul USB/SD.

9. Iluminat: apăsați de câteva ori butonul de iluminare pentru a comuta modul de iluminare între opt efecte sau pentru a-l opri.

10. Resetare: apăsați butonul de resetare de pe telecomandă pentru a readuce dispozitivul la setările din fabrică.

11. Super bass: apăsați butonul funcției super bass pentru a amplifica sunetul de frecvență joasă.

Utilizarea radioului FM

Înainte de a începe ascultarea radioului FM, mutați dispozitivul lângă fereastră pentru o recepție mai bună a semnalului FM. Introduceți antena cu fir FM inclusă în priză pentru antena FM, care se află pe panoul din spate al dispozitivului, desfășurați antena total pentru a obține o recepție mai bună.

1. Scanarea și programarea automată a posturilor radio (mod automat): o scurtă apăsare a butonului de redare / pauză de pe panoul superior sau apăsarea butonului de căutare de pe telecomandă pornesc modul de scanare și salvare automată a posturilor de radio disponibile. După încheierea scanării, dispozitivul va începe redarea automată a primului post programat. (Numărul maxim al posturilor programate care pot fi operate: 40)

2. Selectarea posturilor radio: în modul radio, apăsați butonul următor / anterior de pe panoul superior sau de pe telecomandă pentru a selecta și a reda postul programat anterior sau următor.

3. Setarea manuală: apăsați scurt butonul FF +/- de pe telecomandă pentru a seta frecvența postului la fiecare 0.1 MHz; apăsați și țineți apăsat butonul precedent / următor timp de 2 secunde pentru a scana postul disponibil în sus sau în jos și a reda postul în mod automat.

Redare USB/SD

Dispozitivul este prevăzut cu funcția de redare USB/SD care poate decoda și reda muzică din memoriile portabile USB / SD. Înainte de a începe redarea, copiați muzica MP3/WMA pe memoria portabilă. Introduceți memoria în dispozitiv, deoarece modul de redare USB/SD este disponibil doar atunci când memoria va fi conectată în mod corect. Apoi dispozitivul va detecta și va reda fișierele MP3/WMA în mod automat.

Selectarea piesei: apăsați scurt butonul anterior / următor pentru a alege piesa anterioară sau următoare; Apăsați și țineți apăsat butonul de derulare, pentru a derula înainte piesa actual redată, eliberați butonul pentru a continua redarea piesei. În modul USB/SD sunt disponibile următoarele funcții: redare / pauză, mută, repetare, corector de volum, reglare tonuri înalte / joase, funcția stop etc. Detalii se află la punctul "Utilizare generală" din prezentele instrucțiuni.

Note:

a) Nu se recomandă conectarea memoriei USB cu ajutorul prelungitoarelor USB, deoarece acest lucru poate avea un efect negativ asupra calității redării și produce zgomot sau sunete intermitente, cauzate de pierderea datelor audio în timpul transmiterii fișierelor.

b) Decodarea și redarea tuturor pieselor în formatul MP3/WMA nu poate fi garantată.

c) Dispozitivul acceptă memoriile cu capacitate maximă de 32GB.

d) Având în vedere tipul și producătorul, redarea automată a unor memorii USB poate să dureze ceva mai mult; Trebuie reținut că aceasta nu este o defecțiune.

Funcționarea Bluetooth

Acest produs este prevăzut cu funcția Bluetooth, care permite redarea fără fir a muzicii de pe alt dispozitiv Bluetooth (cum ar fi un smartphone, tabletă etc.).

1. Apăsați de câteva ori butonul de selectare a sursei pentru a accesa modul Bluetooth, iar simbolul Bluetooth va clipi pe ecranul de afișare ceea ce înseamnă că dispozitivul este pregătit pentru cuplare.

2. Porniți funcția Bluetooth în dispozitivul extern și căutați un dispozitiv disponibil (citiți instrucțiunile de utilizare a dispozitivului extern), apoi verificați dispozitivul Bluetooth disponibil pe listă. Selectați "BP PS11DB" pentru împerechere, iar simbolul Bluetooth va lumina în mod continuu pe ecranul de afișare după cuplare reușită.

3. Selectați și redați muzică de pe dispozitivul extern Bluetooth, apoi sunetul va fi redat prin intermediul difuzorului din acest dispozitiv.

4. Apăsați butonul anterior / următor pentru a selecta ultima și următoarea piesă în timpul redării.

5. În modul Bluetooth pot fi realizate funcțiile de redare / pauză, mută, reglare de volum, corectarea tonurilor înalte și joase.

Detalii se află la punctul "Utilizare generală" din prezentele instrucțiuni.

Note:

a. Având în vedere diferite modele și mărci, o conectare corectă la toate dispozitivele Bluetooth nu poate fi garantată.

b. Distanța de lucru Bluetooth este de 10 m, fără niciun obstacol.

c. Dispozitivul poate să se împerecheze și să funcționeze cu un singur dispozitiv Bluetooth în același timp.

d. În cazul unui apel primit în timpul redării Bluetooth; Muzica se întrerupe pentru o clipă și va relua redarea după încheierea convorbirii telefonice.

e. Apăsați butonul de împerechere de pe telecomandă pentru a închide legătura curentă cu dispozitivul Bluetooth și a începe împerecherea cu un alt dispozitiv.

Funcționarea în modul AUX IN

Pentru a conecta și a reda muzică de la un alt player sau dispozitiv, urmați instrucțiunile de mai jos:

Utilizând cablul audio (inclusiv set) conectați priză AUX IN de pe de pe panoul superior spate al dispozitivului cu ieșirea liniară sau cu priză căștilor playerului cum ar fi de ex. player MP3, CD, DVD, mixer etc. Apoi selectați și redați muzică pe playerul extern, iar sunetul va fi redat cu ajutorul acestui dispozitiv.

În modul AUX-IN, playerul extern îndeplinește controlul principal asupra redării. În prezentul dispozitiv puteți controla volumul, dezactiva sunetul și regla nivelul de bași și soprane.

Ieșire liniară: Conectați un capăt al cablului audio (inclus în set) la ieșirea LINE OUT de pe panoul superior iar celălalt capăt la mufa AUX IN a difuzorului activ extern. Selectați și redați muzică pe acest aparat și apoi sunetul va fi redat atât în difuzoarele acestui aparat, cât și printr-un difuzor activ extern.

Karaoke

Deschideți capacul bateriei microfonului fără fir (inclus în set), introduceți 2 buc. De baterii uscate de dimensiune AA (nu sunt incluse în set) în conformitate cu simbolul de polaritate pozitiv și negativ în compartimentul de baterii și, apoi, închideți capacul bateriilor microfonului. Setați comutatorul pe poziția de pornit, pentru a porni microfonul. După câteva secunde difuzorul se va cupla în mod automat cu microfonul fără fir. Selectați nivelul corespunzător de volum de ieșire al microfonului pe panoul de sus și începeți să cântați. Dispozitivul are, de asemenea, o priză dublă de intrare pentru microfonul cu fir, introduceți mufa microfonului cu fir (nu este inclus în set) în priza de 6,5 mm, și porniți microfonul pentru a cânta.

Porady:

- Dacă utilizați microfonul pentru funcția Karaoke, puteți seta volumul corespunzător de ieșire al microfonului / tonurilor înalte / bașilor / ecoului, prin rotirea butonului rotativ de pe panoul superior.
- Difuzorul poate emite un zgomot puternic sau distorsiuni în momentul în care nivelul volumului de bași și soprane sau funcția de ecou sunt setate la un nivel prea mare. Aceasta nu este o defecțiune. Reduceți nivelul setărilor de mai sus, apoi porniți sau opriți microfonul.
- Puteți folosi funcția karaoke și să ascultați muzică în același timp. În cazul când vreți să măriti volumul karaoke micșorând volumul muzicii de fundal, puteți regla separat volumul microfonului folosind butoanele corespunzătoare.
- Microfonul amplasat lângă difuzor trebuie oprit, altfel se va produce un zgomot mare.
- Pe carcasa microfonului fără fir se află butonul de oprire care poate dezactiva sunetul microfonului.

Soluționarea problemelor

- Difuzorul nu poate fi pornit.
 - Verificați dacă alimentarea este conectată în mod corect.
- Lipsă sonor.
 - Încercați să reglați butonul de volum și verificați sursa de redare.
 - Contactați centrul de service, dacă problema persistă.
- Distorsiuni de sunet.
 - Încercați să ajustați și să redați muzică la un volum de sunet mai redus.
 - Verificați reglarea sunetelor înalte/joase.
- Zgomot în timp ce ascultați un post FM
 - Mutați dispozitivul în alt loc pentru o recepție mai bună.
 - Porniți scanarea din nou sau schimbați postul.
 - Încercați să desfășurați antena FM și potriviți orientarea ei.

Specificație

Sursă de alimentare: AC 110-240V, 50/60 Hz.
Alimentare din bateriei reîncărcabilă: 18V/4.5AH
Frecvență FM: 87,5-108,0 MHz.
Conector USB: 5V, 500mA, versiunea 2.0, stocare în masă acceptată până la 32 GB.
Card SD: suporturi acceptate până la 32 GB.
USB / cardurile SD acceptă formate muzical: MP3, WMA (redarea tuturor acestor tipuri de fișiere nu este garantată)
Bluetooth: V2.1 + EDR, distanța de lucru până la 10 m
Puterea de ieșire RMS: 2 x 45W.
Reglare tonuri joase și înalte: -9dB~+9dB.
Microfon: intrare 2 x 6,5 mm, conectarea microfonului cu fir.
2 x microfon fără fir (frecvență: 208,8 MHz, 215MHz, sursă de alimentare: 2 x 1,5 V, AA)
Consum de putere: 90W
Consum de putere în modul stand-by: <0.5W.
(Specificația de mai sus poate fi modificată fără preaviz.)

ВАЖНИ ИНСТРУКЦИИ ЗА БЕЗОПАСНОСТ



ОПАСНОСТ ОТ ТОКОВ



УДАР
НЕ ОТВАРЯЙ

Внимание:

За да се намали рискът от токов удар, не се разрешава демонтиране на капака, дори и на задната част на устройството. В самото устройство няма елементи, предназначени за самостоятелно ремонтване от потребителите. С обслужване и ремонтване на оборудването се занимават единствено квалифицирани служители на сервиса.

Обяснение на графичните символи:



Светкавица, завършваща със стрелка, в равностранен триъгълник предупреждава потребителя за неизолотирано, „опасно“ напрежение около устройството, което напрежение може да има размери, заплашващи с токов удар.



Удивителният знак в равностранен триъгълник предупреждава потребителя, че в този момент в документацията, прикачена към устройството, се предоставя важна информация за обслужването и запазването на оборудването.

Моля, прочетете тази инструкция, преди да пристъпите към обслужване на устройството, за да се запознаете с неговите функции и да го използвате съгласно неговото предназначение. Това ще Ви осигури дълготрайно, безаварийно обслужване на устройството и удоволствие от използването му.

Важна информация

- Запазете инструкцията за ползване, както и информацията за безопасност, с цел използване в бъдеще.
- Да не се допуска прокапване или протичане на течност върху устройството.
- Също да не се използва на влажни места като например в баня.
- Да не се инсталира това устройство на следните места:
- Изложени на непосредствено действие на слънчеви лъчи или близо до радиатори.
- Да не се поставя на повърхността на друго стереофично оборудване, което отделя топлина.
- Ако ще блокира вентилация или в прашно помещение.
- На места, изложени на постоянна вибрация.
- На места с висока влажност.
- Да не се поставя устройството близо до свещи или открит огън.
- Устройството може да се използва единствено по начина, описан в настоящата инструкция.
- Преди първото включване на захранването трябва да се уверите, че зарядното устройство е включено правилно.
- USB паметта се свързва непосредствено или с помощта на USB кабел с дължина до 25 см.

От съображения за сигурност да не се демонтират конструкциите, както и да не се осигурява достъп до вътрешността на устройството. Забранено е отварянето на устройството, както и отварянето на неговата конструкция, тъй като вътре няма части, които биха могли да бъдат поправени от потребителя. С обслужването и поправката на оборудването се занимават единствено квалифицирани служители на сервиса.

ИНСТРУКЦИИ ЗА БЕЗОПАСНОСТ

1. Прочетете инструкцията – преди употреба прочетете цялата инструкция за обслужване, както и информацията за безопасност.
2. Запазете инструкцията – запазете инструкцията за употреба и обслужване с цел по-нататъшно използване.
3. Спазвайте предупрежденията – постъпвайте съгласно с всички предупреждения, поместени на устройството и съгласно с инструкцията за употреба.
4. Спазвайте инструкциите – постъпвайте съгласно с инструкцията за употреба и насоките за потребителя.
5. Инсталация - настройвайте устройството в съответствие с инструкциите на производителя.
6. Източници на захранване - захранвайте устройството само от източници с параметри, посочени на захранващия кабел. Ако не сте сигурни каква енергия имате въкъси, трябва да се свържете с продавача на устройството или местния доставчик на електрическа енергия.
7. Заземяване или поляризация на захранването – устройството не трябва да бъде заземявано. Уверете се, че щепселът е изцяло пъхнат в електрическата мрежа или удължителния кабел, за да не се откриват щифтовете или контактите. Някои версии на устройството могат да бъдат оборудвани с поляризиран адаптер за променлив ток (с по-широк щифт). Този щепсел може да бъде вкаран в гнездото само по един начин. Това е функция за обезопасяване. Ако не можете да поставите щепсела в гнездото, опитайте да го обърнете. Ако щепселът все още не се побира в гнездото, поискайте от електротехник да го смените. Не изваждайте предизпителите от поляризиращ щепсел. Ако използвате удължителен кабел или захранващ кабел, различен от тези, предоставени с устройството, той трябва да има съответните щепсели и одобрения за безопасност, изисквани в дадената страна.
8. Обезопасяване на захранващия кабел - Захранващите кабели трябва да бъдат насочвани така, че да не може да се стъпва по тях, да не бъдат притискани или прерязани от поставени върху тях предмети. Обърнете специално внимание на щепселите, контактите и мястото, където кабелите се извеждат от устройството.
9. Претоварване - Не претоварвайте стенните контакти, удължителите и електро-разпределителите, тъй като това може да доведе до пожар или токов удар.
10. Вентилация - устройството трябва да бъде охлаждаемо правилно. Не поставяйте устройството на легло, диван или подобни повърхности. Не покривайте уреда с покривки, салфетки, вестници и др.
11. Топлина - не поставяйте устройството в близост до източници на топлина като радиатори, лъчеви нагреватели, печки или други уреди (включително топлинни генератори), които произвеждат топлина. Не поставяйте запалени свещи или друг открит огън върху устройството.

12. Вода и влага - За да намалите риска от пожар или токов удар, не излагайте устройството на пряк дъжд, вода или влага, например в сауната или в банята. Не използвайте това устройство близо до вода като вана, мивка, кухненска мивка или вана, в мокро помещение или в близост до плувен басейн (или на подобни места).
13. Предмети и течности в устройството - не вкарвайте предмети през отворите на устройството, тъй като могат да влязат в контакт с опасни точки и компоненти на напрежение, което може да доведе до пожар или токов удар. При никакви обстоятелства не трябва да разливате течности по повърхността на устройството. Не поставяйте върху устройството предмети, съдържачи течности.
14. Почистяване - Преди почистване винаги изключвайте устройството от контакта. Прахът около високоговорителя може да премахнете с помощта на суха кърпа. Ако за почистването ще използвате аерозол, не насочвайте пръскачката директно към устройството, а към кърпата. Внимавайте да не повредите задвижващите устройства.
15. Допълнително оборудване - Не използвайте аксесоари, които не са одобрени от производителя, тъй като те могат да представляват риск.
16. Аксесоари - Не поставяйте устройството върху нестабилна количка, стойка, статив, конзола или маса. Устройството може да се преобърне и повреди, както и може да причини сериозни наранявания у деца или възрастни. Използвайте само колички, стойки, стативи, конзоли и маси, определени от производителя или продавани заедно с устройството. Сглобете уреда съгласно инструкциите на производителя, като използвате монтажния комплект, препоръчан от производителя.
17. Преместване на устройството - устройството, поставено на количката, трябва да се премества много внимателно. Внезапно спиране, твърде голяма сила или неравна повърхност може да доведе до преобръщане на количката заедно с устройството.
18. Период на неизползване на устройството - Изключете захранващия кабел от контакта по време на гръмотевищни бури, или когато не използвате уреда за по-дълъг период от време.
19. Обслужване - не се опитвайте самостоятелно да правите преглед на устройството. Отварянето на капака може да доведе до опасно напрежение и да изложи потребителя на други опасности. С консервация и ремонтниране на оборудването се занимават единствено квалифицирани служители на сервиса.
20. Когато устройството не е в употреба, извадете захранващия кабел от контакта. Когато устройството е свързано към източник на захранване, то е в режим на готовност и не е напълно изключено.
21. Резервни части - при подмяна на части се уверете, че техникът е използвал препоръчаните от производителя резервни части или също, че частите са идентични с оригиналните. Подмяната с неодобрени части може да доведе до пожар, токов удар или други опасности.
22. Главни предпазители - за да предпазите устройството за постоянно от пожар, използвайте предпазители от съответния тип и параметри. Параметрите на предпазителите в даден обхват на напрежение са обозначени на устройството.
23. Не увеличавайте силата на звука, когато слушате част от песен с ниска сила на звука или при липсата на входен аудио сигнал. В противен случай при бързото увеличаване на силата на сигнала може да се стигне до повреда на високоговорителя.
24. Единственият начин за напълно изключване на устройството от източника на захранване е да изключите захранващия кабел от контакта или от устройството. Винаги, когато използвате устройството, трябва да има достъпен захранващ контакт или захранващ кабел.
25. Устройството трябва да се постави близо до контакт или удължителен кабел и така, че да е винаги достъпно.
26. Максималната температура на околната среда на устройството е 35 ° C.
27. Инструкции за електростатично разреждане - ако работата на устройството е прекъсната от електростатичен разряд, изключете уреда и повторно включете устройството или го преместете на друго място.
28. Батерия
 - a. Не излагайте батериите на прекомерна топлина като например слънчеви лъчи, огън и др.
 - b. Когато използвате батериите, обърнете внимание на изискванията за опазване на околната среда.
- в. Предупреждение за използване на батерията: За да не се стигне до изтичане на батерията, което може да доведе до нараняване или повреда на устройството:
 - , При поставяне на батерията, обърнете внимание на нейните полюси (+ и -).
 - , Не използвайте едновременно различни батерии - стари и нови, стандартни и алкални и др.
 - , Извадете батериите от устройството, ако няма да го използвате за по-дълъг период от време.

ВНИМАНИЕ

Устройството не трябва да се използва от хора (включително деца) с намалени физически, сензорни или психически способности и лица с недостатъчни познания и опит, освен ако не са под наблюдението на лице, отговорно за тяхната безопасност и не са инструктирани как безопасно да използват устройството. Необходимо е присъствие на възрастни, ако устройството се използва от деца; това ще осигури безопасно използване на устройството.

1. Не оставяйте устройството без надзор! Изключвайте устройството, когато не го използвате, дори и за кратко време.
2. Не включвайте устройството чрез възнен часовник, нито чрез отделна система за дистанционно управление.
3. За да избегнете опасност при повреда на захранващия кабел, подмяната трябва да се извърши от производителя, от упълномощен сервизен център или от друго квалифицирано лице.
4. Преди да използвате уреда се уверете, че напрежението му съответства на напрежението на местното захранване.
5. Не покривайте вентилационните изходи, например с вестници, покривки, завеси и др. Уверете се, че над устройството има най-малко 20 см свободно пространство и от всяка страна на уреда - най-малко 5 см.
6. Не допускайте да капят или да се разливат течности или не поставяйте предмети, съдържачи течности като например вази.
7. За да избегнете пожар или токов удар, предпазвайте устройството от горещи места, дъжд, влага и прах.
8. Не поставяйте устройството близо до водоизточници като кранове, вани, перални машини или плувни басейни. Поставете устройството на равна и стабилна повърхност.
9. Не излагайте устройството на силни магнитни полета.
10. Не поставяйте устройството директно върху усилвателя или приемника.
11. Не поставяйте устройството на влажно място, тъй като влагата има вреден ефект върху електрическите компоненти.
12. При внасяне на устройството от студено на топло или на влажно място, може да се образува конденз върху обектива въртре в плътера. В този случай устройството няма да работи правилно. Оставете включения уред в продължение на около един час, за да може влагата да се изпари.

13. Не почиствайте устройството с химически разтворители, тъй като те могат да повредят лаковото покритие на конструкцията. Избършете устройството с чиста, суха или леко влажна кърпа.
14. Когато изваждате щепсела от контакта, винаги издърпвайте щепсела, а не захранващия кабел.
15. Когато устройството е включено в близост до телевизор, то може да е източник на смущения под формата на линии на екрана. Това зависи от дължината на телевизионната вълна. Не означава неизправност на устройството или телевизора. Ако видите такива линии, преместете устройството далеч от телевизора.
16. Захранващият щепсел се използва за изключване на захранващото напрежение и трябва да е винаги на разположение.
17. За да предотвратите евентуална загуба на слух, не слушайте силна музика в продължение на дълги периоди от време.



ВНИМАНИЕ



Декларация

С настоящото Blaupunkt Competence Center 2N-Everpol Sp. z o.o. декларира, че това устройство отговаря на изискванията и други приложими разпоредби на Директива 2014/53 / на ЕС. Пълната декларация за съответствие може да бъде намерена на www.blaupunkt.com в раздела за продукти.

Отговорно лице: 2N-Everpol Sp. Z o.o.

Puławska 403A, 02-801 Warszawa, Polska

Телефон: +48 22 331 99 59, e-mail: info@everpol.pl



Продуктът е произведен от висококачествени материали и компоненти, които могат да бъдат рециклирани и повторно използвани.



Ако на устройството има знак със задраскано кошче за отпадъци, това означава, че продуктът е обхванат от Европейската директива 2012/19 / ЕС. Запознайте се с изискванията на местната система за събиране на електрически и електронни отпадъци. Следвайте местните разпоредби. Не изхвърляйте този продукт заедно с обикновените битови отпадъци. Правилното изхвърляне на стария продукт ще предотврати потенциални негативни последици за околната среда и човешкото здраве.



Устройството е оборудвано с батерии, които са част от европейска директива 2006/66/ЕС. Не изхвърляйте батериите заедно с битови отпадъци. Запознайте се с изискванията на местната система за събиране на батерии, тъй като правилната употреба на стария продукт ще предотврати потенциални негативни последици за околната среда и човешкото здраве.

Информация за опазване на околната среда

Пакетът съдържа само необходимите елементи. Положени са всички усилия, за да се гарантира, че трите компонента на опаковката са лесни за разделяне: картонена кутия, полистиролова пяна (вътрешна защита) и полиетилен (торбички, защитен лист). Устройството е изработено от материали, които могат да бъдат рециклирани и повторно използвани, след като се демонтират от специализирана фирма. Спазвайте местните разпоредби за изхвърляне на опаковъчни материали, отпадъчни батерии и ненужно оборудване. Записването и възпроизвеждането на материали може да изисква съгласие. Вижте Закона за авторските права и правата на изпълнителите/ артистите.

Забележка относно ERP2 (на устройства, свързани с енергопотребление)

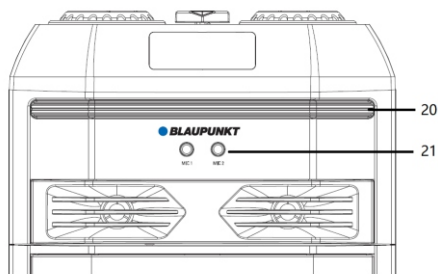
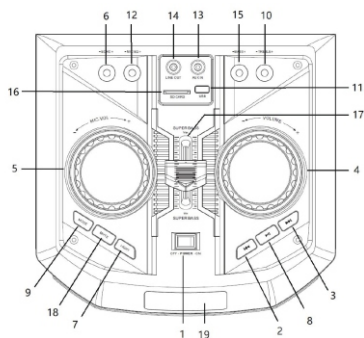
Настоящото устройство с екопроект отговаря на изискванията на етап 2 от Регламента на Комисията (ЕО) № 1275/2008 за прилагане на Директива 2009/125 / ЕО относно консумацията на енергия от електроуреди за офиса и дома.



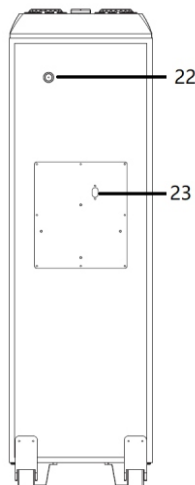
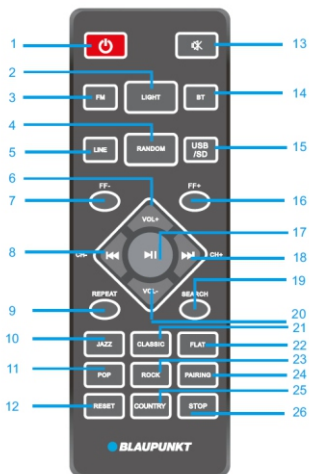
Собственик на търговските знаци и логото Bluetooth® е фирма Bluetooth SIG, Inc. USA. Използването на тези знаци и логото подлежи на лицензиране. Другите знаци и търговски названия принадлежат на съответните собственици.

Благодарим за покупката на нашия продукт. Преди да пристъпите към употреба на устройството, трябва старателно да прочетете и да се запознаете с настоящата инструкция. Моля, запазете инструкцията за бъдещо ползване.

Панел за управление



- 1 - Превключвател за включване / изключване;; 2,3- Предишно произведение/ следващо произведение;
- 4 - Управление на силата на звука; 5- Регулиране на силата на звука на микрофона;
- 6- Регулиране на ехото на микрофона; 7 - Диско осветление; 8 - Възпроизвеждане / пауза;
- 9 - Бутон за избор на източник; 10,15 - Регулиране на ниски и високи тонове; 11 - USB порт;
- 12 - Регулиране на високите и ниските тонове на микрофона; 13 - Вход AUX IN; 14 - Изход на аудио сигнала LINE OUT;
- 16 - Гнездо за карта SD; 17 - Функция Super bass; 18 - Изключване на звука; 19 - Дисплей;
- 20 - Осветление Disco; 21 - Гнездо за микрофон 1 и 2; 22- Гнездо за антена FM;
- 23 - Гнездо за захранващ кабел / AC.



Дистанционно управление

- 1 - Бутон за захранване; 2- Бутон за включване/изключване на диско осветлението;
- 3, 5,14,15 - Бутон за избор на източника на звук FM / LINE IN / Bluetooth / USB / SD;
- 4 - Бутон за включване/изключване на функцията за случайно възпроизвеждане
- 6,20 - Сила на звука +/-; 7,16 - Бутон за бързо превъртане FF - / +;
- 8,18 - Предишно и следващо произведение, бутон канал - / +;
- 9 - Бутон за повтаряне (повтаряй едно произведение / повтори всичко / изключи);
- 10,11,21,22,23,25 - Бутони за режим EQ (Jazz / POP / Classic / Flat / Rock / Country);
- 12 - Бутон reset; 13 - Бутон за изключване на звука;
- 17 - Възпроизвеждане / пауза; 19 - Бутон за търсене;
- 24 - Бутон за вдвояване; 26 - Бутон стоп;

BULGARIA

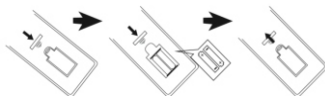
Свързване на захранването: Моля, проверете, дали източникът на захранване съответства на спецификацията на номиналното напрежение, която се намира отзад на панела на устройството. Ако не съответства, трябва да се свържете с продавача или със сервизен център. Поставете женския конектор на захранващия кабел в гнездото на устройството, след което включете захранващия кабел в електрически стенен контакт.



Зареждане на акумулатора: Устройството е оборудвано с вграден акумулатор, който позволява възпроизвеждане на музика без включване към захранване с променлив ток. По време на зареждане на батерията индикаторът на зареждането, който се намира в горния ляв ъгъл на дисплея, ще свети с червена светлина. След пълното зареждане на акумулатора индикаторът за зареждане ще промени цвета си на зелен. Батерията ще се зарежда и когато устройството бъде изключено, но с достъпен източник на захранване с променлив ток. Времето за зареждане на акумулатора е 6 ~ 8 часа, а времето за възпроизвеждане - 3 ~ 4 часа в зависимост от нивото на силата на звука при възпроизвеждане. Устройството ще се изключи автоматично при ниско ниво на зареждане на батерията. За по-нататъшно възпроизвеждане трябва да заредите акумулатора. В десния долен ъгъл на дисплея се намира символът на батерията. Препоръчително е да започнете зареждане на батерията, когато свети само един блок в символа на батерията.

Инсталиране на батерията в дистанционното управление

Отворете капака на отделението за батериите и поставете 2 батерии от тип AAA (включено в комплекта); Уверете се, че положението на батериите съответства на символите на положителния и отрицателния полюс, нанесени в отделението за батериите. След това затворете капака на отделението за батериите.



Забележки:

- Най-подходящото разстояние за работата на дистанционното управление е 5 метра без никакви препятствия. По време на използването трябва да насочите датчика на дистанционното управление към предната част на устройството.
- Чувствителността на дистанционното управление ще бъде все по-слаба с течение на времето и с изтощаването на батериите. Изтощените батерии трябва да се подменят с нови.
- Ако няма да използвате устройството през по-дълъг период от време - извадете батериите.
- Батериите трябва да се обезвредят по екологосъобразен начин. За тази цел трябва да се запознаете с изискванията на местните власти.

Общи принципи на употреба

- Включване / изключване:** Натиснете превключвателя на захранването, който се намира върху горния панел, за да включите или изключите високоговорителя; натиснете бутона на захранването върху дистанционното управление, за да преминете в режим готовност или да изключите устройството; При по-продължителен период на не-използване на устройството препоръчваме неговото пълно изключване.
- Избор на източника на звук:** Натиснете бутона за избор на източник на звук върху горния панел или натиснете FM, BT, LINE, бутон USB/SD на дистанционното управление, за да превключите източника на възпроизвеждане между FM / Bluetooth / Line in / USB/SD.
- Регулиране на силата на звука:** Завъртете въртящия бутон за управление на силата на звука върху горния панел или натиснете бутон VOL +/- на дистанционното управление, за да увеличите или да намалите силата на звука. Бутон VOL +/- върху дистанционното управление е предназначен основно за регулиране на нивото на сила на звука в ограничен обхват. Максималното ниво на сила на звука се регулира с помощта на главния въртящ се бутон за регулиране на силата на звука. Ако изгубите дистанционното управление, а нивото на звука е много ниско, изключете и отново включете устройството, след което настройката за сила на звука ще бъде нулирана.
- Регулиране на високите и ниските тонове:** завъртете бутона за високите и ниските тонове на горния панел, за да регулирате тоновете на изходящия звук.

- 5. Изключване на звука:** С натискане на бутон MUTE на върху горния панел или дистанционното управление ще изключите звука; Повторното натискане на този бутон ще включи звука на преди избраното ниво.
- 6. Настройки на еквалайзера:** Натискането на съответния бутон на дистанционното управление позволява смяна на режима на еквалайзера между Jazz / Classic / Flat / POP / ROCK/ Country (достъпно само в режим USB / SD).
- 7. Възпроизвеждане / спиране:** натиснете бутон възпроизвеждане / пауза, за да спрете или да включите отново възпроизвеждане на музика в режим Bluetooth / USB/SD.
- 8. Повтаряне и случайно възпроизвеждане:** натиснете бутона за повтаряне, за да включите съответния режим на повтаряне на музиката; Натиснете бутона за случайно повтаряне, за да включите / изключите функцията случайно възпроизвеждане в режим USB.
- 9. Осветление:** натиснете няколко пъти бутона за осветлението, за да превключите режим осветление между осемте светлинни ефекта или да го изключите.
- 10. Reset:** натиснете бутона за ресетване на дистанционното управление, за да възстановите фабричните настройки на устройството.
- 11. Super bass:** натиснете бутона на функция super bass, за да усилите нивото на ниските честоти.

Употреба на радио FM

Преди да започнете да слушате радио FM, трябва да пренесете устройството по-близо до прозореца, за да имате по-добър сигнал FM. Включете приложената жична антена FM в антенното гнездо FM, което се намира в задния панел на устройството, разтегнете антената до пълен обхват, за да постигнете по-добро приемане на сигнала.

- 1. Автоматично сканиране и програмиране на радиостанциите (автоматичен режим):** кратко натискане на бутона за възпроизвеждане / пауза върху горния панел или натискане на бутона за търсене на дистанционното управление включва режим автоматично сканиране и записване на достъпните радиостанции. След завършване на сканирането устройството автоматично ще започне възпроизвеждане на първата програмирана радиостанция. (Максимален брой обслужвани програмирани радиостанции: 40)
- 2. Избор на радиостанции:** в режим радио натиснете бутон следващо / предишно произведение върху горния панел или на дистанционното управление, за да изберете и да включите предишната или следващата програмирана радиостанция.
- 3. Ръчна настройка:** натиснете краткотрайно бутон FF +/- върху дистанционното управление, за да настроите честотата на станцията със стъпка 0,1 MHz; натиснете и задръжте бутона предишно / следващо музикално произведение за около 2 секунди, за да сканирате достъпната радиостанция нагоре или надолу по честотната лента и автоматично да възпроизведете радиостанцията.

Възпроизвеждане USB/SD

Устройството е оборудвано с функция за възпроизвеждане USB/SD, която може да декодира и да възпроизвежда музика от преносими USB/SD памети. Преди да започнете възпроизвеждане, трябва да копирате музиката MP3/WMA върху преносима памет; Поставете паметта в устройството, тъй като режимът за възпроизвеждане USB/SD е достъпен само, когато паметта е правилно инсталирана. След това устройството автоматично ще намери и ще възпроизведе MP3/WMA файловете.

Избор на музикално произведение: натиснете краткотрайно бутон предишно/следващо произведение, за да изберете предишната или следващата песен. Натиснете и задръжте бутона за превъртане, за да превъртите напред текущо възпроизвежданата песен, освободете бутона, за да възпроизвеждате песента по-нататък.

В режим USB/SD са достъпни следните функции: възпроизвеждане / пауза, изключване на звука, повтаряне, еквалайзер, регулиране на високите / ниските тонове/функция и т.н. Подробна информация ще намерите в точка „Общи принципи на употреба“ в настоящата инструкция.

Забележки:

Не се препоръчва включване на USB памет с помощта на удължител USB, тъй като това може да повлияе върху качеството на възпроизвеждане звук и да генерира шум или прекъсване на звука поради загуба на аудио данни при трансфера на файловете.

- a) Не може да се гарантира декодирането и възпроизвеждането на всички произведения във формат MP3/WMA.
- b) Устройството обслужва памет с максимален капацитет 32GB
- c) Автоматичното възпроизвеждане на някои USB памети, с оглед на техния тип и производител, може да бъде по-продължително; Не бива да се забравя, че това не е неизправност.

Действие на Bluetooth

Този продукт е оборудван с функция Bluetooth, която позволява безжично възпроизвеждане на музика от друго устройство Bluetooth (като смартфон, таблет и др.).

1. Натиснете няколко пъти бутона за избор на източник на източник, за да включите режим Bluetooth, а символът Bluetooth ще мига върху дисплея, което означава, че устройството е готово за съдвяване.
2. Включете функция Bluetooth във външното устройство и намерете достъпното устройство (запознайте се с инструкцията за употреба на външното устройство), след което проверете достъпните устройства Bluetooth в списъка. Маркирайте "BP PS11DB" за съдвяване. а след успешно съдвяване символът Bluetooth ще свети с постоянна светлина върху дисплея.
3. Изберете и възпроизведете музиката от външното устройство Bluetooth, след което звукът ще бъде възпроизведен от високоговорителя в това устройство.
4. Натиснете бутон предишно / следващо произведение, за да изберете последното и следващото произведение по време на възпроизвеждането.
5. В режим Bluetooth може да бъде включена функцията за възпроизвеждане / пауза, изключване на звука, коригиране на звука, коригиране на високите и ниските тонове. Подробна информация ще намерите в точка „Общи принципи на употреба“ в настоящата инструкция.

Забележки:

- Не може да се гарантира правилна връзка с всички устройства Bluetooth поради различните конструкции и марки на устройствата.
- Работното разстояние в режим Bluetooth е 10 метра без никакви препятствия.
- Устройството може да бъде сдвоено и да работи съвместно само с едно устройство Bluetooth едновременно.
- В случай на телефонно обядане по време на възпроизвеждане Bluetooth - музиката ще спре за момент и възпроизвеждането ще продължи след завършване на телефонния разговор.
- Натиснете бутона за сдвояване на дистанционно управление, за да завършите текущата връзка с устройството Bluetooth и да започнете сдвояване с друго устройство.

Работа в режим AUX IN

За да свържете и да възпроизведате музика от друг плейър или устройство, трябва да следвате инструкцията по-долу: Използвайте аудио кабел трябва (приложен в комплекта)) да свържете гнездото AUX IN горния панел с линейния изход или с гнездото на слушалките на плейър като например MP3, CD, DVD, миксер и др. След това изберете и възпроизведете музиката на външния плейър, а звукът ще бъде възпроизведен от настоящето устройство.

В режим AUX-IN главният контрол над възпроизвеждането се извършва от външен плейър. В това устройство можете да контролирате силата на звука, да изключите звука и да регулирате нивото на басите и сопраните.

Линейен изход: с помощта на аудио кабела (приложен в комплекта) свържете изхода LINE OUT в горния панел с гнездото AUX IN във външния активен високоговорител. Изберете и възпроизведете музиката в това устройство, а след това звукът ще се възпроизведе както от високоговорителите на това устройство, така и от външния активен високоговорител.

Караоке

Отворете капака на батериите на безжичния микрофон (приложен в комплекта), поставете 2 бр. сухи батерии с размер AA (не са приложени в комплекта) съгласно нанесените символи за положителния и отрицателния полюс в камерата на батериите, след което затворете капака на батериите на микрофона. Поставете превключвателя на позиция включен, за да включите микрофона. След няколко секунди високоговорителят ще се свърже с бутон върху горния панел. Настройте съответното ниво на силата на звука на микрофона от горния панел, а след това можете да започнете да пеете.

Устройството е оборудвано също така и с двойно гнездо за жичен микрофон. Включете конектора на жичния микрофон (не е приложен в комплекта) в гнездото 6,5 mm, след което включете микрофона и сега можете да започнете да пеете.

Указания:

- Ако използвате микрофон за употреба на функция Караоке, можете да зададете съответна изходна сила на звука на микрофона / високи тонове / басове / ехо, като въртите съответния въртящ се бутон върху горния панел.
- Високоговорителят може да генерира силен шум или да деформира звука, когато нивото на силата на звука, настройката на басите и сопраните или функцията ехо са настроени на твърде високо ниво. Това не е неизправност. Трябва да намалите нивото на горните настройки, след което да включите или да изключите микрофона.
- Можете да използвате функция караоке и едновременно да слушате музика. Когато искате да увеличите силата на звука на караоке и да намалите силата на звука на фоновата музика, можете отделно да регулирате силата на звука на микрофона и нивото на звука на високоговорителите с помощта на съответните въртящи бутони.
- Когато микрофонът е поставен до високоговорителя, трябва да го изключите. В противен случай ще генерира силен шум.
- Върху корпуса на безжичния микрофон се намира бутон за изключване на звука, който изключва звука на микрофона.

Решаване на проблеми

- Високоговорителят не може да се включи.
 - Проверете, дали захранването е свързано правилно.
- Липса на звук.
 - Опитайте се да регулирате въртящото копче за силата на звука и да проверите източника на възпроизвеждане.
 - Ако проблемът не бъде отстранен, свържете се със сервизен център.
- Деформиране на звука.
 - Опитайте се да адаптирате и да възпроизведете музиката с по-ниско ниво на звука.
 - Проверете състоянието на регулирането на високите / ниските тонове.
- Шум при слушане на радиостанция FM.
 - Преместете устройствата на друго място с цел приемане на по-добър сигнал на радиостанцията.
 - Включете отново сканиране или сменете радиостанцията.
 - Опитайте да разгънете антената FM и да настроите нейната посока.

Спецификация

Източник на захранване: AC 110-240V, 50/60 Hz.

Захранване от акумулатора: 18V/4.5AH

Честота FM: 87,5-108,0 MHz.

USB гнездо: 5V, 500mA, версия 2.0, обслужване на памет с капацитет до 32 GB.

Карта SD: обслужвани носители до 32 GB.

USB / карти SD обслужват следните музикални формати: MP3, WMA (не се гарантира възпроизвеждане на всички файлове от този тип)

Bluetooth: V2.1 + EDR, работно разстояние до 10m

Изходна мощност RMS: 2 x 45W

Регулиране на ниски и високи тонове: -9dB~+9dB.

Микрофон: вход 2 x 6,5 mm, включване на жичен микрофон.

2 x безжичен микрофон (честота: 208,8 MHz, 215MHz, източник на захранване: 2 x 1,5 V, AA)

Консумация на мощност: 90W

Консумация на мощност в режим готовност: <0,5W.

(Горната спецификация може да бъде променена без предизвестие.)

ΣΗΜΑΝΤΙΚΕΣ ΠΛΗΡΟΦΟΡΙΕΣ ΣΧΕΤΙΚΑ ΜΕ ΤΗΝ ΑΣΦΑΛΕΙΑ



ΠΡΟΕΙΔΟΠΟΙΗΣΗ



**ΚΙΝΔΥΝΟΣ ΗΛΕΚΤΡΟΠΛΗΞΙΑΣ
ΜΗΝ ΑΝΟΙΓΕΤΕ**

Προειδοποίηση:

Για να μειώσετε τον κίνδυνο ηλεκτροπληξίας, δεν επιτρέπεται να αποσυναρμολογήσετε το κάλυμμα ούτε το οπίσθιο μέρος της συσκευής. Μέσα στη συσκευή δεν υπάρχουν εξαρτήματα προορισμένα για επισκευή από τον χρήστη. Η συντήρηση και η επισκευή του εξοπλισμού εκτελείται αποκλειστικά από τους εξουσιοδοτημένους υπάλληλους σέρβις.

Εξήγηση γραφικών συμβόλων



Το σύμβολο αστραπής με το βέλος στην άκρη της μέσα στο ισόπλευρο τρίγωνο προειδοποιεί τον χρήστη από μη μονωμένη, "επικίνδυνη ηλεκτρική τάση" στο περίβλημα της συσκευής που μπορεί να έχει την τιμή η οποία προκαλεί ηλεκτροπληξία.



Το σύμβολο θαυμαστικού στο ισόπλευρο τρίγωνο προειδοποιεί τον χρήστη ότι σε αυτό τον τόπο των τεκμηρίωσών που συνάπτεται στη συσκευή, παρουσιάζονται σημαντικές πληροφορίες σχετικά με τον χειρισμό και τη συντήρηση της συσκευής.

Παρακαλούμε να διαβάσετε αυτές τις οδηγίες χρήσης πριν αρχίσετε να χειρίζεστε τη συσκευή, για να γνωρίσετε τις λειτουργίες της και για τη χρησιμοποίησή της σύμφωνα με τον προορισμό της. Έτσι διασφαλίζετε τον διαρκή χειρισμό της συσκευής χωρίς βλάβες και απόλαυση από τη χρήση της συσκευής.

Σημαντικές πληροφορίες

- Πρέπει να κρατήσετε τις οδηγίες χρήσης και τις πληροφορίες σχετικά με την ασφάλεια με σκοπό τη μελλοντική χρήση τους.
- Μην επιτρέψετε κανένα υγρό να στάξει ή να χυθεί στη συσκευή.
- Δεν επιτρέπεται να χρησιμοποιήσετε τη συσκευή σε μέρη με υγρασία όπως π.χ. μπάνιο.
- Δεν επιτρέπεται να εγκαταστήσετε αυτή τη συσκευή στα ακόλουθα μέρη:
 - Μέρη εκτεθειμένα στην άμεση ακτινοβολία ή κοντά σε θερμάστρες.
 - Μην τοποθετείτε πάνω στη συσκευή άλλο εξοπλισμό στερεό που εκπέμπει θερμότητα.
- Όπου μπλοκάρεται ο εξαερισμός ή σε μέρος με σκόνη.
- Σε μέρη εκτεθειμένα σε συνεχείς δονήσεις.
- Σε μέρη με μεγάλη υγρασία.
- Δεν επιτρέπεται να τοποθετήσετε τη συσκευή δίπλα σε κερία και ανοιχτή φλόγα.
- Μπορείτε να χρησιμοποιήσετε τη συσκευή με τον τρόπο που περιγράφεται στις παρούσες οδηγίες χρήσης.
- Πριν από την πρώτη ενεργοποίηση, πρέπει να βεβαιωθείτε ότι το τροφοδοτικό είναι κατάλληλα συνδεδεμένο.
- Η μνήμη USB συνδεδεμένη άμεσα ή με επέκταση USB μήκους έως 25 cm.

Για λόγους ασφαλείας δεν επιτρέπεται να αποσυναρμολογήσετε το περίβλημα ούτε να έχετε πρόσβαση στο μέσο της συσκευής. Η συσκευή πρέπει να επισκευαστεί από το εξειδικευμένο προσωπικό του σέρβις.

Δεν επιτρέπεται να ξεβιδώσετε τη συσκευή ούτε να ανοίξετε το περίβλημά της, γιατί μέσα δεν υπάρχουν εξαρτήματα που μπορεί να επισκευαστούν από τον χρήστη. Η συντήρηση και η επισκευή του εξοπλισμού εκτελείται αποκλειστικά από τους εξουσιοδοτημένους υπάλληλους σέρβις.

ΣΗΜΑΝΤΙΚΕΣ ΠΛΗΡΟΦΟΡΙΕΣ ΣΧΕΤΙΚΑ ΜΕ ΤΗΝ ΑΣΦΑΛΕΙΑ

1. Διαβάστε τις οδηγίες χρήσης – πριν χρησιμοποιήσετε τη συσκευή πρέπει να διαβάσετε όλες τις οδηγίες χρήσης και τις πληροφορίες για την ασφάλεια.
2. Φυλάξτε τις οδηγίες χρήσης – πρέπει να φυλάξετε τις οδηγίες χρήσης και χειρισμού με σκοπό να τις χρησιμοποιήσετε στο μέλλον.
3. κολουθήστε τις προειδοποιήσεις – πρέπει να ακολουθήσετε όλες τις προειδοποιήσεις που είναι τοποθετημένες πάνω στη συσκευή και να ακολουθήσετε τις οδηγίες χρήσης.
4. Ακολουθήστε τις οδηγίες χρήσης – πρέπει να ακολουθήσετε τις οδηγίες χρήσης και τις συμβουλές για τον χρήστη.
5. Εγκατάσταση – πρέπει να τοποθετήσετε τη συσκευή σύμφωνα με τις οδηγίες του κατασκευαστή.
6. Πηγή τροφοδοσίας – η συσκευή πρέπει να τροφοδοτηθεί αποκλειστικά από τις πηγές με τις παραμέτρους που αναφέρονται στις επισημανσεις του καλωδίου τροφοδοσίας. Αν ο χρήστης δεν είναι σίγουρος ποιαού τύπου τροφοδοσία έχει στο σπίτι του, πρέπει να επικοινωνήσει με τον πωλητή της συσκευής ή τον τοπικό προμηθευτή ηλεκτρικής ενέργειας.
7. Γείωση και πόλωση της συσκευής – η συσκευή πρέπει να έχει γείωση. Πρέπει να βεβαιωθείτε ότι το φως είναι τελικά τοποθετημένο στην πρίζα ηλεκτρικού δικτύου ή της επέκτασης, για να μην αφήσετε τους πείρους ή τους επαφές το φως χωρίς κάλυμμα. Κάποιες εκδόγες της συσκευής μπορεί να είναι εξοπλισμένες με πολωμένο φως εναλασσόμενο ρεύματος (με έναν πείρο πλατύτερο). Μπορείτε να βάλετε αυτό το φως στην πρίζα μόνο με έναν τρόπο. Αυτό είναι η λειτουργία προστασίας. Αν δεν μπορείτε να βάλετε το φως στην πρίζα, πρέπει να το περιστρέψετε. Αν το φως εξακολουθεί να μην ταιριάζει στην πρίζα, πρέπει να δώσετε εντολή στον ηλεκτρολόγο να αντικαταστήσει την πρίζα. Δεν επιτρέπεται να βγάλετε τα προστατευτικά του πολωμένου φως. Όταν χρησιμοποιείτε επέκταση ή καλώδιο τροφοδοσίας διαφορετικό από αυτό που παραδίδεται μαζί με τη συσκευή, αυτά πρέπει να έχουν κατάλληλα φως και το πιστοποιητικό ασφαλείας.
8. Προστασία του καλωδίου τροφοδοσίας – τα καλώδια τροφοδοσίας πρέπει να δρομολογούνται έτσι, ώστε να μην τα πατάτε, να μην τα πιέζετε και μην τα κόβετε με τοποθετημένα πάνω τους αντικείμενα. Δώστε ειδική σημασία στα φως, τις πρίζες ηλεκτρικού δικτύου και του τόπου όπου τα καλώδια είναι τοποθετημένα μέσα στη συσκευή.
9. Υπερφόρτωση – Δεν επιτρέπεται να υπερφορτώσετε τις ηλεκτρικές πρίζες τοίχου, τις επεκτάσεις και τους διαχωριστές, γιατί αυτό προκαλεί κίνδυνο πυρκαγιάς ή ηλεκτροπληξίας.
10. Εξαερισμός – η συσκευή πρέπει να έχει κατάλληλο εξαερισμό. Δεν επιτρέπεται να τοποθετήσετε τη συσκευή πάνω σε ένα κρεβάτι, έναν καναπέ ή σε παρόμοιες επιφάνειες. Δεν επιτρέπεται να καλύψετε τη συσκευή με τραπέζιματλητα, πετσέτες, εφημερίδες κλπ.

12. Νερό και υγρασία – για να μειώσετε τον κίνδυνο πυρκαγιάς ή ηλεκτροπληξίας, δεν επιτρέπεται να εκθέτετε τη συσκευή στην άμεση επίδραση βροχής, νερού και υγρασίας όπως π.χ. στη σάουνα ή το μπάνιο. Μην χρησιμοποιείτε την παρούσα συσκευή δίπλα σε νερό, π.χ. δίπλα σε μια μπανιέρα, νιπτήρα, νεροχύτη κουζίνας ή σκάφη, σε ένα υπόγειο με υγρασία ή δίπλα σε πισίνα (ή σε παρόμοιους τόπους).
13. Αντικείμενα και υγρά μέσα στη συσκευή – δεν επιτρέπεται να πιέσετε οποιοδήποτε αντικείμενο μέσα από τα ανοίγματα της συσκευής, γιατί αυτά μπορεί να έχουν επαφή με τα σημεία της επικίνδυνης ηλεκτρικής τάσης και τα υποστήματα και αυτό μπορεί να προκαλέσει πυρκαγιά. Σε καμία περίπτωση μη χύσετε οποιοδήποτε υγρό δίπλα στη συσκευή. Δεν επιτρέπεται να βάζετε πάνω στη συσκευή τα αντικείμενα που περιέχουν υγρά.
14. Καθαρισμός – πάντα πρέπει να αποσυνδέετε τη συσκευή από την πρίζα ηλεκτρικού δικτύου πριν από καθαρισμό. Η σκόνη γύρω από το ηχείο μπορεί να αφαιρεθεί με ένα ύφασμα. Αν χρησιμοποιήσετε ένα αερόβλυστο για καθαρισμό, μην κατευθύνετε τη ροή ψεκασμού άμεσα στη συσκευή, αλλά σε ένα πανί. Πρέπει να προσέξετε να μη χαλάσετε τις μονάδες μετάδοσης κίνησης.
15. Πρόσθετος εξοπλισμός – μη χρησιμοποιήσετε αξεσουάρ που δεν επιτρέπονται από τον κατασκευαστή, γιατί αυτά μπορούν να προκαλέσουν κίνδυνο.
16. Αξεσουάρ – μην τοποθετείτε τη συσκευή σε ασταθές καροτσάκι, υποστήριγμα, τρίποδο, βάση ή τραπέζι. Η συσκευή μπορεί να ανατραπεί και να χαλάσει καθώς και να προκαλέσει σοβαρά τραύματα σε παιδιά και σε ηλικιωμένα πρόσωπα. Πρέπει να χρησιμοποιήσετε αποκλειστικά καροτσάκια, υποστήριγματα, τρίποδα, βάσεις ή τραπέζια που ορίζονται από τον κατασκευαστή ή που πωλούνται μαζί με τη συσκευή. Εκτελέστε τη συναρμολόγηση της συσκευής σύμφωνα με τις οδηγίες του κατασκευαστή με χρήση του σετ συναρμολόγησης που προτείνεται από τον κατασκευαστή.
17. Μεταφορά της συσκευής – πρέπει να μεταφέρετε τη συσκευή τοποθετημένη σε καροτσάκι πολύ προσεκτικά. Ξαφνικό σταμάτημα, υπερβολική δύναμη ή ανώμαλες επιφάνειες μπορεί να προκαλέσουν ανατροπή στο καροτσάκι μαζί με τη συσκευή.
18. Περίοδος όταν η συσκευή δεν χρησιμοποιείται – πρέπει να αποσυνδέσετε το καλώδιο τροφοδοσίας από την πρίζα ηλεκτρικού δικτύου κατά τις καταιγίδες με κεραυνούς ή όταν δεν χρησιμοποιείτε τη συσκευή πολλή ώρα.
19. Σέρβις – μην δοκιμάσετε να εκτελέσετε επιθεωρήσεις της συσκευής μόνοι σας. Το να ανοίξετε το κάλυμμα μπορεί να προκαλέσει επαφή με επικίνδυνη ηλεκτρική τάση και να εκτεθεί ο χρήστης σε άλλους κινδύνους. Η συντήρηση και η επισκευή του εξοπλισμού εκτελείται αποκλειστικά από τους εξουσιοδοτημένους υπάλληλους σέρβις.
20. Όταν δεν χρησιμοποιείτε τη συσκευή, πρέπει να αποσυνδέσετε το φως της από την πρίζα ηλεκτρικού δικτύου. Όταν η συσκευή είναι συνδεδεμένη στην πηγή ηλεκτρικής ενέργειας, είναι στον τρόπο λειτουργίας αναμονής και δεν είναι απολύτως απενεργοποιημένη.
21. Ανταλλακτικά – όταν αντικαθιστάτε εξαρτήματα πρέπει να ελέγχετε αν ο υπάλληλος του σέρβις έχει χρησιμοποιήσει τα ανταλλακτικά που προτείνονται από τον κατασκευαστή ή τα εξαρτήματα είναι ίδια όπως τα γνήσια εξαρτήματα. Η αντικατάσταση εξαρτημάτων με μην εγκεκριμένα προκαλεί κίνδυνο πυρκαγιάς, ηλεκτροπληξίας και άλλους κινδύνους.
22. Κύριες ηλεκτρικές ασφάλειες – για να προστατέψετε με συνεχή τρόπο τη συσκευή από πιθανή πυρκαγιά, πρέπει να χρησιμοποιήσετε τις ασφάλειες κατάλληλου τύπου και παραμέτρων. Οι παράμετροι των ασφαλειών του ορισμένου φάσματος της ηλεκτρικής τάσης επισημαίνονται πάνω στη συσκευή.
23. Δεν επιτρέπεται να αυξήσετε την ένταση ήχου όταν ακούτε ένα κομμάτι το οποίο έχει χαμηλή ένταση ήχου ή όταν δεν υπάρχει σήμα ήχου εισόδου. Σε αντίθετη περίπτωση, ενδέχεται να χαλάσετε το ηχείο με την ξαφνική αύξηση της έντασης του σήματος.
24. Η μοναδική λύση να αποσυνδέσετε πλήρως τη συσκευή από την πηγή ηλεκτρικής ενέργειας είναι η αποσύνδεση του καλωδίου τροφοδοσίας από την πρίζα ηλεκτρικής ενέργειας ή από τη συσκευή. Η πρίζα ηλεκτρικού δικτύου ή η υποδοχή του καλωδίου τροφοδοσίας στη συσκευή πάντα πρέπει να είναι διαθίσιμες κατά τη χρήση της συσκευής.
25. Η συσκευή πρέπει να τοποθετηθεί δίπλα σε πρίζα ηλεκτρικού δικτύου ή επέκταση έτσι ώστε να είναι πάντα διαθέσιμες.
26. Η μέγιστη θερμοκρασία περιβάλλοντος πρέπει είναι 35°C.
27. Οδηγίες σχετικά με τις ηλεκτροστατικές εκκινήσεις – αν η λειτουργία της συσκευής διαταράσσεται με τις ηλεκτροστατικές εκκινήσεις, πρέπει να την απενεργοποιήσετε και να την ενεργοποιήσετε ξανά ή να μεταφέρετε τη συσκευή σε άλλο τόπο.
28. Μπαταρία
- Δεν επιτρέπεται να εκθέτετε τις μπαταρίες στη δράση υπερβολικής ζέστης όπως π.χ. ηλιακή ακτινοβολία.
 - Κατά τη διάθεση των μπαταριών, πρέπει να δώσετε σημασία στις παραμέτρους της προστασίας του περιβάλλοντος.
 - Προειδοποίηση σχετικά με χρήση των μπαταριών: για να μην επιρρέψετε απροσφράγιστη των μπαταριών που μπορεί να προκαλέσει τραύματα ή να χαλάσει τη συσκευή:
 - Όταν βάζετε τη μπαταρία δώστε σημασία στην πόλωση της (+ και -).
 - Δεν επιτρέπεται να χρησιμοποιήσετε ταυτόχρονα διαφορετικές μπαταρίες - καινούργιες και μεταχειρισμένες, τις μπαταρίες στάνταρ και αλκαλικές κλπ.
 - Πρέπει να βγάλετε τις μπαταρίες από τη συσκευή δεν τη χρησιμοποιείτε πολλή ώρα.

ΠΡΟΕΙΔΟΠΟΙΗΣΗ

Η συσκευή δεν επιτρέπεται να χρησιμοποιηθεί από πρόσωπα (συμπεριλαμβανόμενων των παιδιών) με μειωμένη φυσική και αισθητηριακή ικανότητα και τα πρόσωπα με ανεπαρκή γνώση και εμπειρία, αν δεν είναι υπό την εποπτεία του προσώπου που είναι υπεύθυνο για την ασφάλειά τους και δεν έχουν εκπαιδευθεί πως να χρησιμοποιούν τη συσκευή με ασφαλή τρόπο. Η παρουσία των ενηλίκων απαιτείται όταν τα παιδιά χειρίζονται τη συσκευή· έτσι θα διασφαλιστεί την ασφαλή χρήση της συσκευής.

- Δεν επιτρέπεται να αφήνετε τη συσκευή όταν λειτουργεί χωρίς καμία εποπτεία! Πρέπει να απενεργοποιείτε τη συσκευή όταν δεν τη χρησιμοποιείτε, ακόμη για ένα σύντομο διάστημα.
- Δεν επιτρέπεται να μεταχειρίζεστε τη συσκευή μέσα από ένα εξωτερικό ρολόι με χρονικό σύστημα ούτε με ξεχωριστό σύστημα τηλεχειρισμού.
- Για να αποφύγετε κίνδυνο σε περίπτωση βλάβης του καλωδίου τροφοδοσίας, η αντικατάστασή του πρέπει να εκτελείτε από τον κατασκευαστή, την εξουσιοδοτημένη υπηρεσία σέρβις ή άλλο πρόσωπο που διαθέτει τα κατάλληλα προσόντα.
- Πριν αρχίσετε να χειρίζεστε τη συσκευή, πρέπει να ελέγξετε αν η τάση της είναι συμβατή με την τάση του τοπικού ηλεκτρικού δικτύου.
- Δεν επιτρέπεται να καλύψετε τα ανοίγματα εξαερισμού π.χ. με εφημερίδες, τραπέζομάντηλα, κουρτίνες κλπ.. Πρέπει να βεβαιωθείτε ότι πάνω από τη συσκευή υπάρχει ένας ελεύθερο χώρος τουλάχιστον 20 cm και από κάθε πλευρά της - τουλάχιστον 5 cm.
- Δεν επιτρέπεται να στάζει ή να χυθεί κανένα υγρό στη συσκευή και δεν επιτρέπεται να βάζετε πάνω στη συσκευή κανένα αντικείμενο γεμάτο με υγρό όπως π.χ. ένα βάζο.
- Για να αποφύγετε πυρκαγιά ή ηλεκτροπληξία, πρέπει να προστατεύετε τη συσκευή από ζεστούς τόπους, τη δράση της βροχής, της υγρασίας και της σκόνης.
- Δεν επιτρέπεται να τοποθετείτε τη συσκευή κοντά σε οποιαδήποτε πηγή νερού όπως π.χ. βρύσες, μπανιέρες, πλυντήρια ή πισίνες κολύμβησης. Η συσκευή πρέπει να τοποθετηθεί σε μια ίσια και σταθερή βάση.

9. Δεν επιτρέπεται να εκθέτετε τη συσκευή σε ισχυρό μαγνητικό πεδίο.
10. Δεν επιτρέπεται να βάζετε τη συσκευή αμέσως στον ενισχυτή, δέκτη ή διακόπτη.
11. Δεν επιτρέπεται να βάζετε τη συσκευή σε ένα μέρος με υγρασία, γιατί η υγρασία έχει αρνητική επίδραση στα ηλεκτρικά συστήματα.
12. Μετά από μεταφορά της συσκευής από κρύο σε ζεστό τόπο ή σε τόπο με υγρασία, μπορεί να προκληθεί υγρασία της υγρασίας πάνω στον φακό μέσα στη συσκευή αναπαραγωγής. Σε μια τέτοια περίπτωση η συσκευή δεν θα λειτουργήσει σωστά. Πρέπει να αφήσετε τη συσκευή απενεργοποιημένη για περίπου μια ώρα, για να επιτρέψετε την εξάτμιση της υγρασίας.
13. Δεν επιτρέπεται να καθαρίζετε τη συσκευή με χημικούς διαλύτες, γιατί μπορεί να χαλάσουν το βερνίκι του περιβλήματος. Σκουπίζετε τη συσκευή με ένα καθαρό, στεγνό ή λίγο μουσκεμένο πανί.
14. Όταν βγάξετε το φιλ από την πρίζα τοίχου, πάντα πρέπει να τραβάτε το φιλ και όχι το καλώδιο.
15. Όταν η ενεργοποιημένη συσκευή χρησιμοποιείται δίπλα σε ενεργοποιημένη τηλεόραση, μπορεί να είναι πηγή διαταραχών όρασης με τη μορφή γραμμών στην οθόνη. Αυτό εξαρτάται από τη ζώνη κυμάτων μετάδοσης της TV. Αυτό δεν σημαίνει ότι η συσκευή ή η τηλεόραση δεν λειτουργούν κατάλληλα. Αν αυτές γραμμές είναι ορατές, πρέπει να απομακρύνετε τη συσκευή από την τηλεόραση.
16. Το φιλ ηλεκτρικού δικτύου χρησιμοποιείται για αποσύνδεση της ηλεκτρικής τάσης τροφοδοσίας και πάντα πρέπει να είναι διαθέσιμο.
17. Για να μην επιτρέψετε πιθανή απώλεια ακοής, δεν επιτρέπεται να ακούτε μουσική πολύ δυνατά για πολλή ώρα.



ΠΡΟΣΟΧΗ



Δήλωση

Δια του παρόντος η εταιρεία Blaupunkt Competence Center 2N-Everpol Sp. z o.o. δηλώνει ότι η παρούσα συσκευή είναι συμβατή με τις προϋποθέσεις και τις λοιπές σχετικές προβλέψεις της οδηγίας 2014/53 / ΕΕ. Μπορείτε να λάβετε την πλήρη δήλωση συμβατότητας από την ιστοσελίδα www.blaupunkt.com στην καρτέλα του προϊόντος.

Κάτοχος άδειας κυκλοφορίας: 2N-Everpol Sp. z o.o.
Puławska 403A, 02-801 Warszawa, Πολωνία
Τηλέφωνο: +48 22 331 99 59, e-mail: info@everpol.pl



Το προϊόν κατασκευάστηκε από υλικά υψηλής ποιότητας και τα συστήματα, τα οποία μπορούν να ανακυκλωθούν και να χρησιμοποιηθούν ξανά.



Αν πάνω στη συσκευή υπάρχει το σύμβολο του διαγραμμένου κάδου, αυτό σημαίνει ότι το προϊόν καλύπτεται από τις προβλέψεις της ευρωπαϊκής οδηγίας 2012/19/ΕΕ. Πρέπει να εξοικειωθείτε με τις απαιτήσεις του τοπικού συστήματος συλλέγματος απορριπτόμενου εξοπλισμού και υπολειμμάτων υλικού διάλυσης. Πρέπει να ακολουθήσετε τους τοπικούς κανονισμούς. Μην απορρίψετε το προϊόν μαζί με τα κανονικά οικιακά απορρίμματα. Η σωστή διάθεση του παλαιού προϊόντος προστατεύει από αρνητικά αποτελέσματα για το φυσικό περιβάλλον και την ανθρώπινη υγεία.



Η συσκευή είναι εξοπλισμένη με μπαταρίες οι οποίες ορίζονται με την ευρωπαϊκή οδηγία 2006/66/ΕΚ. Δεν επιτρέπεται να απορρίψετε τις μπαταρίες μαζί με τα οικιακά απορρίμματα. Πρέπει να εξοικειωθείτε με τους τοπικούς κανονισμούς για την ξεχωριστή συλλογή των μπαταριών, διότι η κατάλληλη διάθεση προστατεύει από πιθανά αρνητικά αποτελέσματά της για το φυσικό περιβάλλον και την ανθρώπινη ζωή.

Πληροφορίες για την προστασία του περιβάλλοντος

Η συσκευασία περιέχει μόνο τα απαραίτητα στοιχεία. Έχει καταβληθεί κάθε δυνατή προσπάθεια ώστε τα τρία συστατικά της συσκευασίας να διαχωριστούν εύκολα: χαρτί (κουτί), αφρός πολυστερίνης (προστατευτικά μέσα στη συσκευασία) και πολυαιθυλένιο (ασκούλες, προστατευτικό φύλλο). Η συσκευή κατασκευάστηκε από υλικά τα οποία μπορούν να ανακυκλωθούν και να χρησιμοποιηθούν ξανά μετά την αποσυρμολόγησή τους. Πρέπει να ακολουθήσετε τους τοπικούς κανονισμούς σχετικά με τη διάθεση των υλικών συσκευασίας, των μεταχειρισμένων μπαταριών και των περιττών συσκευών.

Η εγγραφή και αναπαραγωγή υλικού μπορεί να απαιτήσει σχετική άδεια. Βλέπε το περί πνευματικών δικαιωμάτων και των δικαιωμάτων/δημιουργών/καλλιτεχνών νόμο.

Παρατήρηση σχετικά με τις ERP2 (Συσκευές σχετικά με την ενέργεια)

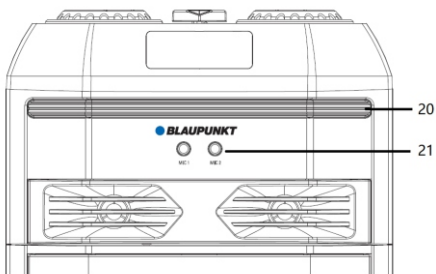
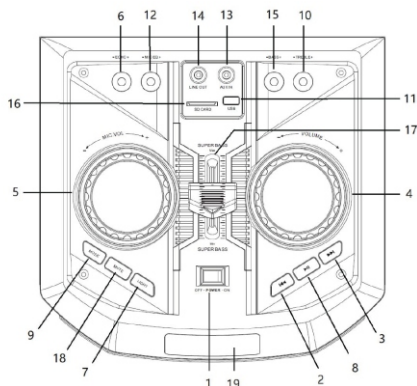
Η παρούσα συσκευή είναι οικολογικού σχεδιασμού και πληροί τις απαιτήσεις της φάσης 2 του Κανονισμού (ΕΚ) αριθ. 1275/2008 της Επιτροπής περί εφαρμογής της οδηγίας 2009/125/ΕΚ σχετικά με την κατανάλωση ενέργειας σε κατάσταση απενεργοποίησης και αναμονής του ηλεκτρικού και ηλεκτρονικού εξοπλισμού γραφείου και οικιακού εξοπλισμού.



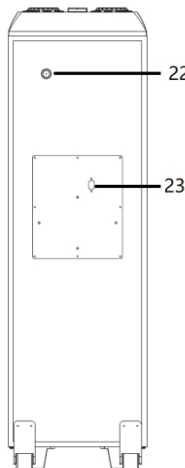
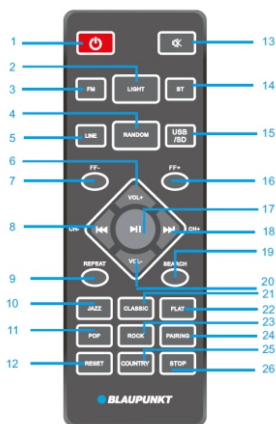
Ο κάτοχος των εμπορικών σημάτων και του λογότυπου Bluetooth® είναι η εταιρεία Bluetooth SIG, Inc. USA. Η εκμετάλλευση αυτών των σημάτων και του λογότυπου καλύπτεται από την άδεια χρήσεως. Άλλα σήματα και εμπορικές ονομασίες αποτελούν κυριότητα σχετικών ιδιοκτητών.

Ευχαριστούμε για αγορά της συσκευής μας. Πριν να αρχίσετε χειρισμό πρέπει αν διαβάσετε προσεκτικά και να εξοικειωθείτε με τις παρούσες οδηγίες χρήσης. Παρακαλούμε να κρατήσετε τις οδηγίες χρήσης για μελλοντική χρήση τους.

Πάνελ χειρισμού



- 1- Διακόπτης ενεργοποίησης / απενεργοποίησης; 2,3- Προηγούμενο / επόμενο; 4- Ρύθμιση έντασης ήχου;
- 5- Ρύθμιση έντασης ήχου μικροφώνου; 6- Ρύθμιση ηχώ μικροφώνου; 7- Φωτισμός disco;
- 8- Αναπαγωγή / παύση; 9- Πλήκτρο επιλογής πηγής; 10,15- Ρύθμιση χαμηλών και υψηλών τόνων;
- 11- Πόρτα USB; 12- Ρύθμιση υψηλών και χαμηλών τόνων μικροφώνου; 13- Υποδοχή AUX IN;
- 14- Έξοδος σήματος audio LINE OUT; 16- Υποδοχή καρτών SD card; 17- Λειτουργία Super bass; 18- Σίγαση;
- 19- Οθόνη; 20- Φωτισμός Disco; 21- Υποδοχή μικρόφωνου 1 1/2; 22- Υποδοχή κεραίας FM;
- 23- Υποδοχή καλωδίου τροφοδοσίας AC;



Τηλεχειριστήριο

- 1 - Κουμπι τροφοδοσίας; 2- Κουμπι ενεργοποίησης/απενεργοποίησης του φωτισμού disco;
- 3, 5, 14, 15- Κουμπι επιλογής πηγής ήχου FM / LINE IN / Bluetooth / USB / SD;
- 4 - Κουμπι ενεργοποίησης/απενεργοποίησης λειτουργίας τυχαίας αναπαγωγής;
- 6, 20-Ένταση ήχου +/-; 7, 16- Κουμπι γρήγορης κύλισης FF - / +;
- 8, 18- Προηγούμενο και επόμενο, κουμπι καναλιού - / +;
- 9- Κουμπι επανάληψης (επανάληψη ενός κομματιού / επανάληψη όλων των κομματιών / απενεργοποίηση);
- 10, 11, 21, 22, 23, 25- Κουμπια τρόπου λειτουργίας EQ (Jazz / POP / Classic / Flat / Rock / Country);
- 12 - Κουμπι reset; 13- Κουμπι σίγασης ήχου;
- 16- Αναπαγωγή / παύση; 19- Κουμπι αναζήτησης;
- 24- Κουμπι σύνδεσης; 26 - Κουμπι stop;

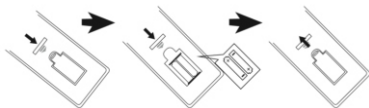
Σύνδεση τροφοδοσίας: Παρακαλούμε ελέγξτε αν η πηγή τροφοδοσίας είναι συμβατή με την προδιαγραφή της ονομαστικής τάσης που βρίσκεται στο πίσω πάνελ της συσκευής. Αν δεν είναι συμβατή, τότε πρέπει να επικοινωνήσετε με τον πωλητή ή με το κέντρο σέρβις. Βάλτε τη θηλυκή άκρη του καλωδίου τροφοδοσίας στην υποδοχή της συσκευής και στη συνέχεια συνδέστε το φως του καλωδίου τροφοδοσίας στην πρίζα τοίχου με σκοπό να αποκτήσετε την πηγή τροφοδοσίας.



Φόρτιση συσσωρευτή Η συσκευή έχει ενσωματωμένο συσσωρευτή ο οποίος επιτρέπει την αναπαραγωγή μουσικής χωρίς σύνδεση με εναλλασσόμενο ρεύμα. Κατά τη φόρτιση των μπαταριών, η ένδειξη φόρτισης, στην αριστερή επάνω γωνία χωνία της οθόνης, θα λάμψει με το κόκκινο χρώμα. Η ένδειξη φόρτισης θα αλλάξει το χρώμα της σε πράσινο μετά από πλήρη φόρτιση. Η μπαταρία θα φορτιστεί ακόμη όταν η συσκευή απενεργοποιηθεί, αλλά με διαθέσιμη πηγή τροφοδοσίας με εναλλασσόμενο ρεύμα. Ο χρόνος φόρτισης του συσσωρευτή είναι 6 ~ 8 ώρες, ενώ ο χρόνος αναπαραγωγής είναι 3 ~ 4 ώρες, ανάλογα με το επίπεδο έντασης ήχου αναπαραγωγής. Η συσκευή θα ενεργοποιηθεί αυτόματα σε περίπτωση χαμηλού επιπέδου φόρτισης μπαταρίας: τότε πρέπει να φορτίσετε τον συσσωρευτή με σκοπό την επόμενη αναπαραγωγή. Στην κάτω δεξιά γωνία της οθόνης βρίσκεται το σύμβολο μπαταρίας: προτείνουμε να αρχίσετε τη φόρτιση μπαταρίας, όταν προβάλλεται μόνο μία πλευρά του συμβόλου μπαταρίας.

Εγκατάσταση μπαταρίας του τηλεχειριστηρίου

Ανοίξτε το κάλυμμα της θήκης για μπαταρίες και βάλτε 2 μπαταρίες τύπου AAA (συμπεριλαμβάνεται στο σετ). Βεβαιωθείτε ότι η διάταξη των μπαταριών είναι συμβατή με τα σύμβολα θετικής και αρνητικής πόλωσης που αναγράφονται μέσα στη θήκη. Στη συνέχεια, κλείστε το κάλυμμα της θήκης για μπαταρίες.



Παρατηρήσεις:

- Η καλύτερη απόσταση εργασίας του τηλεχειριστηρίου είναι τα 5 μέτρα χωρίς κανένα εμπόδιο. Κατά τη χρήση της συσκευής, ο αισθητήρας του τηλεχειριστηρίου πρέπει να κατευθύνεται στο εμπρόσθιο μέρος της συσκευής.
- Η ευαισθησία του τηλεχειριστηρίου θα είναι εδώ και πιο χαμηλή μαζί με την εξάντληση των μπαταριών. Αντικαταστήστε τις μεταχειρισμένες μπαταρίες αντί με καινούριες.
- Βγάλτε τον συσσωρευτή σε περίπτωση που η συσκευή δεν χρησιμοποιείται για πολλή ώρα.
- Πρέπει να διαθέτετε τις μπαταρίες με τρόπο φιλικό για το περιβάλλον. Για αυτόν τον σκοπό, πρέπει να εξοικειωθείτε με τις υποχρεώσεις που θέτουν οι τοπικές αρχές.

Γενικοί χειρισμοί

- Ενεργοποίηση / απενεργοποίηση:** Εναλλάξτε το διακόπτη τροφοδοσίας που βρίσκεται στο επάνω πάνελ με σκοπό την ενεργοποίηση ή την απενεργοποίηση του κεφαλφώνου. Πατήστε το κουμπί τροφοδοσίας του τηλεχειριστηρίου με σκοπό να μεταβιβαστείτε στον τρόπο λειτουργίας ετοιμότητας ή να απενεργοποιήσετε τη συσκευή. Προτείνουμε να απενεργοποιήσετε τη συσκευή εντελώς σε περίπτωση που δεν υπάρχει καμία δραστηριότητα για μεγάλο χρονικό διάστημα.
- Επιλογή της πηγής αναπαραγωγής** Πατήστε το πλήκτρο επιλογής πηγής στο επάνω πάνελ ή πατήστε το FM, BT, LINE, το κουμπί USB/SD στο τηλεχειριστήριο για εναλλαγή της πηγής αναπαραγωγής μεταξύ των FM / Bluetooth / Line in / USB/SD.
- Ρύθμιση έντασης ήχου:** Περιτρέπει το κουμπί ελέγχου έντασης ήχου στο επάνω πάνελ ή πατήστε το κουμπί VOL +/- στο τηλεχειριστήριο για να αυξήσετε ή να μειώσετε την ένταση ήχου. Το κουμπί VOL +/- του τηλεχειριστηρίου έχει ως την κύρια λειτουργία για τη ρύθμιση έντασης ήχου μέσα σε ένα περιορισμένο φάσμα. Η μέγιστη ένταση ήχου ρυθμίζεται με το κεντρικό περιστρεφόμενο διακόπτη έντασης ήχου. Σε περίπτωση απώλειας του τηλεχειριστηρίου όταν το επίπεδο έντασης ήχου είναι πάρα πολύ χαμηλό, απενεργοποιήστε και ενεργοποιήστε ξανά τη συσκευή και στη συνέχεια η ρύθμιση έντασης ήχου επαναφέρεται.
- Ρύθμιση υψηλών και χαμηλών τόνων:** περιτρέπει τον περιστρεφόμενο διακόπτη υψηλών και χαμηλών τόνων του επάνω πάνελ με σκοπό να ρυθμίσετε τον ήχο εξόδου.
- Σίγαση ήχου:** Το πάτημα του κουμπιού MUTE στο επάνω πάνελ ή ή στο τηλεχειριστήριο προκαλεί σίγαση ήχου. Πατώντας ξανά αυτό το κουμπί, ο ήχος επανέρχεται στο προγενέστερα προγραμματισμένο επίπεδο.
- Ρυθμίσεις του διορθωτή:** Το πάτημα του κατάλληλου κουμπιού στο τηλεχειριστήριο επιτρέπει την εναλλαγή του τρόπου λειτουργίας του διορθωτή μεταξύ των Jazz / Classic / Flat / POP / ROCK / Country (διατίθεται μόνο στον τρόπο λειτουργίας USB / SD).

- 7. Αναπαραγωγή / αναστολή:** πατήστε το κουμπί αναπαραγωγής / παύσης για να αναστείλετε ή να ανανεώσετε την αναπαραγωγή της μουσικής στον τρόπο λειτουργίας Bluetooth / USB.
- 8. Επανάληψη και τυχαία αναπαραγωγή:** πατήστε το κουμπί επανάληψης για να ενεργοποιήσετε τον κατάλληλο τρόπο επανάληψης της μουσικής. Πατήστε το κουμπί της τυχαίας αναπαραγωγής για να ενεργοποιήσετε / απενεργοποιήσετε τη λειτουργία τυχαίας αναπαραγωγής στον τρόπο λειτουργίας USB/SD.
- 9. Φωτισμός:** πατήστε μερικές φορές το κουμπί φωτισμού για να εναλλάξετε τον τρόπο φωτισμού μεταξύ των οχτώ φαινομένων ή να τα απενεργοποιήσετε.
- 10. Reset:** πατήστε το κουμπί reset στο τηλεχειριστήριο για να επαναφέρετε τη συσκευή στις ρυθμίσεις εργοστασίου.
- 11. Super bass:** πατήστε το κουμπί της λειτουργίας super bass, με σκοπό την ενίσχυση των χαμηλών συχνοτήτων.

Χειρισμός του ραδιοφώνου FM

Πριν να αρχίσετε να ακούτε το ραδιόφωνο FM, πρέπει να μεταφέρετε τη συσκευή δίπλα σε ένα παράθυρο με σκοπό την καλύτερη λήψη σήματος FM. Εισάγετε την ασύρματη κεραία FM στην υποδοχή της κεραίας FM που βρίσκεται στο οπίσθιο πάνελ της συσκευής, εκτείνετε την κεραία πλήρως με σκοπό την καλύτερη λήψη σήματος.

- 1. Αυτόματη σάρωση και προγραμματισμός ραδιοφωνικών σταθμών (αυτόματος τρόπος λειτουργίας):** το σύντομο πάτημα του κουμπιού αναπαραγωγής / παύσης στο επάνω πάνελ ή το πάτημα του κουμπιού αναζήτησης στο τηλεχειριστήριο ενεργοποιεί την αυτόματη σάρωση και την αποθήκευση των διαθέσιμων ραδιοφωνικών σταθμών. Αφού ολοκληρώσετε σάρωση, η συσκευή αρχίζει την αυτόματη αναπαραγωγή του πρώτου προγραμματισμένου σταθμού. (Μέγιστος αριθμός προγραμματισμένων σταθμών: 40)
- 2. Επιλογή ραδιοφωνικών σταθμών:** στον τρόπο λειτουργίας ραδιοφώνου πατήστε το κουμπί επόμενο / προηγούμενο στο επάνω πάνελ ή στο τηλεχειριστήριο για να επιλέξετε και να αναπαράγετε τον προηγούμενο ή τον επόμενο προγραμματισμένο σταθμό.
- 3. Χειροκίνητος συντονισμός:** πατήστε σύντομα το κουμπί FF +/- στο τηλεχειριστήριο για να προγραμματίσετε τη συχνότητα συγκεκριμένου σταθμού κατά 0.1MHz: πατήστε και κρατήστε το κουμπί προηγούμενο / επόμενο ή για 2 δευτερόλεπτα για να σαρώσετε τον διαθέσιμο σταθμό προς τα πάνω ή προς τα κάτω στο φάσμα και να αναπαράγετε αυτόματα τον σταθμό.

Αναπαραγωγή USB/SD

Η συσκευή έχει τη λειτουργία αναπαραγωγής USB/SD η οποία μπορεί να αποκωδικοποιήσει και να αναπαράγει μουσική από τις φορητές μνήμες USB/SD. Πριν να αρχίσετε την αναπαραγωγή, αντιγράψτε τη μουσική MP3/WMA σε μια φορητή μνήμη. Βάλτε τη μνήμη στη συσκευή, διότι ο τρόπος λειτουργίας αναπαραγωγής USB/SD είναι διαθέσιμο μόνο όταν η μνήμη συνδεθεί κατάλληλα. Στη συνέχεια, η συσκευή αυτόματα ανιχνεύει και αναπαράγει τα αρχεία MP3/WMA.

Επιλογή κομματιού: πατήστε σύντομα το κουμπί προηγούμενο/επόμενο για να επιλέξετε το προηγούμενο ή το επόμενο κομμάτι. Πατήστε και κρατήστε το κουμπί που χρησιμοποιείται για την κύλιση, για να κυλίσετε προς τα εμπρός το τρέχον αναπαραγόμενο κομμάτι, απελευθερώστε το κουμπί για να αναπαράγετε το επόμενο κομμάτι.

Στον τρόπο λειτουργίας USB/SD διαθέσιμες είναι οι εξής λειτουργίες: αναπαραγωγή, παύση, σίγαση ήχου, επανάληψη, διορθωτής ήχου, ρύθμιση υψηλών / χαμηλών τόνων / λειτουργία stor κλπ. Τα λεπτομερή στοιχεία αναφέρονται στην παράγραφο «Γενικός χειρισμός» των παρουσιών οδηγιών χρήσης.

Παρατηρήσεις:

- a) Δεν προτείνεται να συνδέσετε τη μνήμη USB μέσω προεκτάσεων USB, γιατί αυτό μπορεί να επηρεάσει αρνητικά την ποιότητα αναπαραγωγής και να δημιουργήσει θόρυβο ή διακεκομμένο ήχο λόγω απώλειας δεδομένων ήχου κατά τη μεταφορά των αρχείων.
- b) Δεν μπορείτε να εγγυηθούμε την αποκωδικοποίηση και την αναπαραγωγή όλων των κομματιών σε μορφή MP3/WMA.
- c) Η συσκευή εξυπηρετεί μνήμες μέγιστης χωρητικότητας 32GB.
- d) Η αυτόματη αναπαραγωγή ορισμένων μνημών USB, λόγω του τύπου και του κατασκευαστή μπορεί να διαρκέσει λίγο περισσότερο καιρό. Πρέπει να θυμηθείτε ότι αυτό δεν αποτελεί δυσλειτουργία.

Λειτουργία Bluetooth

Αυτό το προϊόν έχει τη λειτουργία Bluetooth που επιτρέπει ασύρματη αναπαραγωγή μουσικής από άλλη συσκευή Bluetooth (όπως έξυπνο τηλέφωνο, ταμπλέτα κλπ.).

1. Πατήστε πλήκτρο επιλογής πηγής για να μπείτε στον τρόπο λειτουργίας Bluetooth, και το σύμβολο Bluetooth θα αναβοσβήσει στην οθόνη και αυτό σημαίνει ότι η συσκευή είναι έτοιμη για σύνδεση.
2. Ενεργοποιήστε τη λειτουργία Bluetooth στην εξωτερική συσκευή και αναζητήστε τις διαθέσιμες συσκευές (εξοικειωθείτε με τις οδηγίες χρήσης της εξωτερικής συσκευής) και στη συνέχεια ελέγξτε τις διαθέσιμες συσκευές Bluetooth στον κατάλογο. Σημειώστε "BP PS11DB" για σύνδεση, και το σύμβολο Bluetooth θα λάμψει συνεχώς στην οθόνη μετά από την επιτυχή σύνδεση.
3. Επιλέξτε και αναπαράγετε τη μουσική ζανά από την εξωτερική συσκευή Bluetooth και στη συνέχεια ο ήχος θα αναπαραχθεί με χρήση του ηχείου αυτής της συσκευής.
4. Πατήστε το κουμπί προηγούμενο / επόμενο για να επιλέξετε το τελευταίο και το επόμενο κομμάτι κατά την αναπαραγωγή.
5. Στον τρόπο λειτουργίας Bluetooth, μπορείτε να ανακτήσετε τις λειτουργίες αναπαραγωγής / παύσης, σίγασης ήχου, διορθωτής ήχου, διορθωτής υψηλών και χαμηλών τόνων. Λεπτομερείς πληροφορίες αναφέρονται στην παράγραφο «Γενικός χειρισμός» των παρουσιών οδηγιών χρήσης.

Παρατηρήσεις:

- a. Δεν είναι δυνατόν να εγγυηθούμε την κατάλληλη σύνδεση με όλες τις συσκευές Bluetooth λόγω διαφορετικών σχεδίων και μαρκών.
- b. Η απόσταση εργασίας Bluetooth είναι 10 μέτρα χωρίς κανένα εμπόδιο.
- c. Η συσκευή μπορεί να συνδεθεί και να συνεργαστεί με μια συσκευή Bluetooth ταυτόχρονα.
- d. Σε περίπτωση εισερχόμενης σύνδεσης κατά την αναπαραγωγή Bluetooth, η μουσική θα σταματήσει για λίγο και θα ανανεωθεί αφού ολοκληρώσετε την τηλεφωνική συνομιλία.
- e. Πατήστε το κουμπί σύνδεσης από το τηλεχειριστήριο για να κλείσετε την τρέχουσα σύνδεση με τη συσκευή Bluetooth και να αρχίσετε μια σύνδεση με άλλη μια συσκευή.

Λειτουργία στον τρόπο λειτουργίας AUX IN

Για να συνδέσετε και να αναπαραγάγετε μουσική από άλλη συσκευή αναπαραγωγής ή άλλη συσκευή, πρέπει να τηρήσετε τις παρακάτω οδηγίες χρήσης:

Χρησιμοποιώντας το καλώδιο audio (συμπεριλαμβάνεται στο σετ) πρέπει να συνδέσετε την υποδοχή AUX IN του επάνω πάνελ της συσκευής με τη γραμμική έξοδο ή με την υποδοχή ακουστικών της διάταξης αναπαραγωγής, όπως η διάταξη αναπαραγωγής MP3, CD, DVD, μικτής κλπ. Στη συνέχεια, πρέπει να επιλέξετε και να αναπαραγάγετε μουσική στην εξωτερική διάταξη αναπαραγωγής και ο ήχος θα αναπαραχθεί με χρήση αυτής της συσκευής.

Στον τρόπο λειτουργίας AUX-IN τον κύριο έλεγχο της αναπαραγωγής τον εκτελεί η εξωτερική διάταξη αναπαραγωγής. Σε αυτή τη συσκευή μπορείτε να ελέγξετε την ένταση ήχου, να σιγάσετε τον ήχο και να ρυθμίσετε το επίπεδο μπάσων και σοπράνων.

Γραμμική είσοδος: χρησιμοποιώντας το καλώδιο audio (συμπεριλαμβάνεται στο σετ) συνδέστε την έξοδο LINE OUT του επάνω πάνελ και συνδέστε τη δεύτερη σύνδεση στην υποδοχή AUX IN του εξωτερικού ενεργού μεγαφώνου. Επιλέξτε και αναπαραγάγετε τη μουσική της παρούσας συσκευής και στη συνέχεια ο ήχος αναπαραγάγεται τόσο στα μεγάφωνα αυτής της συσκευής όσο και με χρήση του ενεργού εξωτερικού μεγαφώνου.

Karaoke

Ανοίξτε το κάλυμμα της μπαταρίας του ασύρματου μικροφώνου (συμπεριλαμβάνεται στο σετ), βάλτε 2 τεμ., ξηρές μπαταρίες μεγέθους AA (δεν συμπεριλαμβάνονται στο σετ), σύμφωνα με το χαραγμένο σύμβολο αρνητικής και θετικής πόλωσης μέσα στη θήκη μπαταριών και στη συνέχεια κλείστε το κάλυμμα μπαταριών του μικροφώνου. Θέστε το διακόπτη στη θέση ενεργοποίησης προκειμένου να ενεργοποιηθεί το μικρόφωνο. Μετά από κάποια δευτερόλεπτα, το μεγάφωνο θα συνδεθεί αυτόματα με το ασύρματο μικρόφωνο. Προγραμματίστε το κατάλληλο επίπεδο αρχικής έντασης ήχου στο επάνω πάνελ και στη συνέχεια αρχίστε να τραγουδάτε. Η συσκευή περιέχει ακόμη διπλή υποδοχή εισόδου του ασύρματου μικροφώνου με καλώδιο· βάλτε το φως του μικροφώνου με καλώδιο (δεν συμπεριλαμβάνεται στο σετ) στην υποδοχή 6,5 mm και στη συνέχεια ενεργοποιήστε το μικρόφωνο με σκοπό να τραγουδήσετε.

Συμβουλές:

- Αν χρησιμοποιείτε μικρόφωνο για εξυπηρέτηση της λειτουργίας Karaoke, μπορείτε να προγραμματίσετε περιστρεφόμενο διακόπτη αρχική ένταση ήχου / υψηλών τόνων / μπάσων / ήχων περιστρεφόμενα το κατάλληλο κουμπί στο επάνω πάνελ.
- Το μεγάφωνο μπορεί να εκπέμψει δυνατό θόρυβο ή παραμορφώσεις ήχου όταν το επίπεδο έντασης ήχου, οι ρυθμίσεις μπάσων και σοπράνων ή η λειτουργία ηχούς είναι προγραμματισμένα σε πάρα πολύ υψηλό επίπεδο. Αυτό δεν είναι ελάττωμα. Πρέπει να μειώσετε το επίπεδο των παραπάνω ρυθμίσεων και στη συνέχεια να ενεργοποιήσετε ή να απενεργοποιήσετε το μικρόφωνο.
- Μπορείτε να χρησιμοποιήσετε τη λειτουργία karaoke και να ακούσετε μουσική ταυτόχρονα. Σε περίπτωση που χρειαστεί να αυξήσετε την ένταση ήχου karaoke και να μειώσετε το επίπεδο μουσικής στο φόντο, μπορείτε, ξεχωριστά, να ρυθμίσετε την ένταση ήχου του μικροφώνου και το επίπεδο έντασης ήχου του ηχείου με τη χρήση των κατάλληλων κουμπιών.
- Πρέπει να απενεργοποιείτε το μικρόφωνο, όταν το τοποθετήσετε δίπλα στο ηχείο, αντίθετα μπορεί να δημιουργήσει μεγάλο θόρυβο.
- Πάνω στο περίβλημα του ασύρματου μικροφώνου βρίσκεται ο διακόπτης σίγασης ήχου που μπορεί να σιγήσει τον ήχο του μικροφώνου.

Επίλυση προβλημάτων

1. Το ηχείο δεν μπορεί να ενεργοποιηθεί.

- Ελέγξτε αν η σύνδεση της τροφοδοσίας είναι κατάλληλη.

2. Δεν υπάρχει ήχος.

- Δοκιμάστε να ρυθμίσετε το κουμπί έντασης ήχου και να ελέγξετε την πηγή αναπαραγωγής.
- Επικοινωνήστε με το κέντρο σέρβις, αν το πρόβλημα παραμένει.

3. Παραμορφώσεις ήχου

- Δοκιμάστε να προσαρμόσετε και να αναπαραγάγετε μουσική με χαμηλό επίπεδο έντασης ήχου.
- Ελέγξτε την κατάσταση ρύθμισης υψηλών / χαμηλών τόνων.

4. Θόρυβος όταν ακούτε σταθμό FM.

- Μεταφέρετε τη συσκευή σε άλλο σημείο με σκοπό την καλύτερη λήψη σήματος.
- Ενεργοποιήστε ξανά τη σάρωση ή αλλάξτε τον σταθμό για έναν άλλον.
- Δοκιμάστε να εκτείνετε την κεραία FM και να προσαρμόσετε την κατεύθυνσή της.

Προδιαγραφές

Πηγή τροφοδοσίας: AC 110-240V, 50/60 Hz.

Τροφοδοσία από το συσσωρευτή: 18V/4.5AH

Συχνότητα FM: 87,5-108,0 MHz.

Διασύνδεση USB: 5V, 500mA, εκδοχή 2.0, εξυπηρετούμενες μαζικές μνήμες έως 32 GB.

Κάρτα SD: εξυπηρετούμενες μνήμες έως 32 GB.

Το USB / οι κάρτες SD εξυπηρετούν τη μουσική μορφή: MP3, WMA (δεν εγγυόμαστε την αναπαραγωγή όλων των αρχείων αυτών των τύπων).

Bluetooth: V2.1 + EDR, απόσταση εργασίας έως 10m

Ισχύς εξόδου RMS: 2 x 45W.

Ρύθμιση χαμηλών και υψηλών τόνων: -9dB~+9dB.

Μικρόφωνο: υποδοχή 2 x 6,5 mm, σύνδεση μικροφώνου με καλώδιο

2 x ασύρματο μικρόφωνο (συχνότητα: 208,8 MHz, 215MHz, πηγή τροφοδοσίας: 2 x 1,5 V, AA)

Λήψη ισχύος: 90W

Λήψη ισχύος στον τρόπο λειτουργίας ετοιμότητας: <0.5W.

(Η παραπάνω προδιαγραφή μπορεί να μεταβληθεί χωρίς προγενέστερη κοινοποίηση.)

HOIATUS



HOIATUS

ELEKTRILÖÖGIOHT
MITTE AVADA**Hoiatus:**

Elektrilöögi ohu vähendamiseks ei tohi seadme katet ega tagumist osa lahti monteerida. Seadmes ei ole kasutajapoolseks iseseisvaks parandamiseks ette nähtud elemente. Seadme hoolduse ja parandamisega tegelevad ainult teeninduse kvalifitseeritud töötajad.

Graafiliste sümbolite selgitus:

Välgunool e sümbol võrdkõlgses kolmnurgas hoiatab kasutajat seadme sees esinevast isoleerimata „ohtlikust pingest“, mis võib saavutada elektrilöögi ohuga ähvardava tugevuse.



Hüüumärk võrdkõlgses kolmnurgas hoiatab kasutajat sellest, et antud hetkel edastatakse seadmega kaasas olevas dokumendis seadme teenindust ja hooldust käsitlevat olulist teavet.

Enne seadme teenindamise alustamist palume käesolev juhend, selle funktsioonidega tutvumiseks ja sihttoetstarbeliseks kasutamiseks, läbi lugeda. See tagab seadme kauakestva, raketeta teeninduse ja kasutusrõõmu.

Oluline informatsioon.

- Teenindusjuhend ja ohutus käsitlev teave tuleb edaspidiseks kasutuseks säilitada.
- Ei tohi lasta tekkida olukorral, kui seadmele või selle sisemusse tilgub vesi.
- Samuti ei tohi seadet kasutada niisketes kohtades, nagu nt vannituba.
- Antud seadet ei tohi paigaldada järgnevatesse kohtadesse:
- Mis on avatud päikesekiirguse vahetule toimele või radiaatorite läheduses.
- Asetada muu, soojust eraldava, stereofoonilise varustuse peale.
- Blokeerides ventilatsiooni või tolmusesse kohta.
- Pidevale vibratsioonile allutatud kohtadesse.
- Kõrge niiskustasemega kohtadesse.
- Seadet ei tohi asetada küünalde või avatud tule lähedusse.
- Seadet võib kasutada ainult käesolevas juhendis kirjeldatud viisil.
- Enne toite esimest sisselülitamist tuleb veenduda, et toide oleks õigesti ühendatud.
- USB mälu ühendatakse vahetult või kuni 25 cm pikkuse USB pikendusjuhtmega.

Ohutuse seisukohalt ei tohi korpusi lahti võtta ega üritada seadme sisemusse tungida. Seadet võivad parandada ainult teeninduse kvalifitseeritud töötajad.

Seadet ei tohi lahti keerata ega selle korpusi avada, sest selles ei ole kasutaja poolt parandatavaid osi. Seadme hoolduse ja parandamisega tegelevad ainult teeninduse kvalifitseeritud töötajad.

OHUTUST KÄSITLEV OLULINE TEAVE

1. Lugeda juhend läbi – enne seadme kasutamist alustamist tuleb kogu teenindusjuhend ja ohutus käsitlev teave läbi lugeda.
2. Säilitada juhend – kasutus- ja teenindusjuhend tuleb edaspidiseks kasutuseks säilitada.
3. Järgida hoiatusi – toimida kooskõlas kõikide seadmel paiknevate hoiatuste ja teenindusjuhendiga.
4. Järgida juhiseid – toimida kooskõlas teenindusjuhendi ja kasutajale mõeldud juhistega.
5. Paigaldus – paigaldada seade kooskõlas tootja juhistega.
6. Toiteallikad – seadme toiteks peab kasutama ainult toitekaabli märgistustel antud parameetritega allikaid. Juhul kui kasutaja ei ole kindel kodus oleva toite liigis, peab ta ühendust võtma seadme müüja või kohaliku elektrienenergia tarnijaga.
7. Toite maandus ja polaarsus – seade ei pea olema maandatud. Vältimaks tihvtide või klemmide paljastumist veenduda, et pistik oleks võrgupessa või pikendusese sisestatud lõpuni. Mõned seadme versioonid võivad olla varustatud vahelduvvoolu polaarse pistikuga (üks tihvt laiem). Selliseid pistikuid võib sisestada võrgupessa ainult ühel viisil. See on kaitsefunktsioon. Kui pistikut ei saa pessa sisestada tuleb proovida seda pöörata. Kui pistik ei sobi ka siis pesaga tuleb elektrikut tellida selle väljavahetamine. Polaarselt pistikut ei tohi kaitseid eemaldada. Kasutades muud pikendusjuhet või toitekaablit, kui seadmega koos tarnitavat, peavad neil olema asjakohased pistikute, võrgupesadele ja kohtadele, kus kaabel läbi veetakse.
8. Toitekaabli kaitse – toitekaabel tuleb vedada nii, et selle peal ei oleks võimalik kõndida, seda suruda või asetatud esemetega vigastada. Pöörata erilist tähelepanu pistikutele, võrgupesadele ja kohtadele, kus kaabel läbi veetakse.
9. Ülekormamine – seinakontakte, pikendusjuhtmeid ja vargapesasid ei tohi üle koormata, sest see ohustab tulekahju puhkemise või elektrilöögi.
10. Ventilatsioon – seadet tuleb korralikult ventileerida. Seadet ei tohi asetada voodile, diivanile või muudele sarnastele pindadele. Seadet ei tohi katta laulainade, salvrätikute, ajalehtede jms.
11. Soojus – mitte asetada seadet soojusallikate, nagu radiaatorid, kiirgurid, ahjud või muud soojust eritavad seadmed (ka võimendid), lähedale. Mitte asetada seadmele põlevaid künnalaid ja muid avatud tule allikaid.
12. Vesi ja niiskus – tulekahju või elektrilöögi ohu vähendamiseks ei tohi seadet vihma, vee ja niiskuse vahetule toimele, nagu nt saunas või vannitoas, allutada. Mitte kasutada käesolevat seadet vee, näiteks vanni, kraanikausi, köögivalamu või pesupali, läheduses, niiskes keldris või basseini juures (või sarnastes kohtades).
13. Esemed ja vedelikud seadmes – läbi seadme avade ei tohi sisse suruda mingeid esemeid, sest need võivad kokku puutuda ohtliku pinge punktidega, mis omakorda võib põhjustada tulekahju või elektrilöögi. Mitte mingil juhul ei tohi seadme pindadele mingeid vedelikke kallata. Seadmele ei tohi asetada vedelikke sisaldavaid esemeid.
14. Puhastamine – enne puhastamist tuleb seade alati võrgupesast lahti ühendada. Kõlari ümbruses võib tolmu eemaldada kuiva lapiga. Kasutades puhastamiseks aerosooli ei tohi pritsimisvoogu suunata vahetult seadmele vaid lapile. Tuleb jälgida, et ajamiüksused kahjustusi ei saaks.
15. Täiendav varustus – keelatud on kasutada tarvikuid, mis ei ole tootja poolt lubatud, sest võivad osutada ohuallikateks.

16. Tarvikud – seadet ei tohi asetada ebastabiilsele kärule, alusraamile, statiivile, tugialusele või lauale. Seade võib ümber kukkuda ja saada kahjustusi ning vigastada tõsiselt last või täiskasvanut. Kasutada ainult tootja poolt määratud või koos seadmega müüdavaid kärusid, alusraame, statiive, tugialuseid või laudu. Seadme paigaldust tuleb teostada kooskõlas tootja juhistega, kasutades tootja poolt soovitatud paigalduskomplekti.
17. Seadme teisaldamine – kärule paigutatud seadet tuleb sõidutada väga ettevaatlikult. Äkiline pidurdamine, ülemäärane jõud või ebatasane pind võivad põhjustada käruga ja seadme ümberminekku.
18. Seadme mittekasutamise periood – toitekaabel tuleb äikesetormide ajal või kui seadet pikema aja jooksul ei kasutata võrgupesast lahti ühendada.
19. Teenindus – keelatud on seadme ülevaastust omakäelisel läbi viia. Avatud katted võivad põhjustada kokkupuudet ohtliku pingega ja osutada ohtlikuks. Seadme hoolduse ja parandamisega tegelevad ainult teeninduse kvalifitseeritud töötajad.
20. Kui seadet ei kasutata, tuleb selle pistik võrgupesast lahti ühendada. Toiteallikaga ühendatuna on seade ooterežiimis ja ei ole täielikult välja lülitatud.
21. Varuosad – osade väljavahetamisel tuleb kontrollida kas teeninduse töötaja on kasutanud tootja poolt soovitatud varuosid või kas osad on originaalosadega identsed. Väljavahetamine kinnitamata osade vastu ohustab tulekahju puhkemise, elektrilöögi ja muude turvariskidega.
22. Peakaitsmed – seadme alalise tulekahjuvastaseks kaitseks tuleb kasutada õiget tüüpi ja asjakohaste parameetritega kaitsmeid. Antud pingela kaitsmete parameetrid on märgitud seadmele.
23. Helitugevust ei tohi muusikapala valitse osakuulamisel või audio sisendsignaali puudumisel tõsta. Vastasel juhul võib signaali äkiline tugevnemine kõlarit kahjustada.
24. Seadme toiteallikast täieliku lahtiühendamise ainsaks viisiks on toitekaabli toitesepast või seadme eemaldamine. Võrgupesast või toitekaabli seadme sisend peavad toote kasutamise käigus alati juurdepääsetavad olema.
25. Seade tuleb paigutada võrgupesast või pikendusjuhtme lähedusse nii, et need oleks alati juurdepääsetavad.
26. Seade keskkonna maksimaalne temperatuur võib olla kuni 35°C.
27. Elektrostaatilisest laadusest puudutavad juhised – kui seadme töö on häiritud elektrostaatilisest laadusest tuleb see välja lülitada ja seejärel uuesti sisse lülitada või teise kohta ümber tõsta.
28. Patareid
 - a. Patareid ei tohi allutada ülemäärase soojuse, nagu nt päikesekiired, tuli jms, toimele.
 - b. Patareide utiliseerimisel tuleb pöörata tähelepanu keskkonnakaitse aspektidele.
- c. Patareide kasutamist puudutav hoiatus: patareidel ei tohi lasta kuluda kuni lekkimiseni, mis võib põhjustada kehavigastusi ja seadme kahjustusi:
 - Patareide sisestamisel pöörata tähelepanu nende polaarusele (+ ja -).
 - Ei tohi kasutada samaaegselt erinevaid patareid — vanu ja uusi, standardseid ja alkaalipatareid, jne.
 - Kui seadet pikema aja jooksul ei kasutata, tuleb patareid välja võtta.

HOIATUS

- Seadet ei tohi kasutada piiratud füüsiliste, sensoorsete ja psüühiliste võimetega või seadmea töötamise kogemusi või teadmisi mitte omavad inimesed (sealhulgas lapsed), kui nad ei viibi nende ohtuse eest vastutavate isikute järelevalve all või kui neid ei ole seadme ohutu kasutamise teemal instrueeritud. Kui seadet teenindavad lapsed, on nõutav täiskasvanute kohaolek; see võimaldab tagada seadme ohutu kasutuse.
1. Keelatud on töötavat seadet järelevalveta jätta! Kui seadet isegi lühikese aja jooksul ei kasutata, tuleb see välja lülitada.
 2. Seadet ei tohi teenindada taimeriga välise kella vahendusel ega eraldiastseva kaugjuhtimisega süsteemi abil.
 3. Toitejuhtme kahjustuste korral ohtude vältimiseks peab väljavahetamist teostama tootja, autoriseeritud teeninduspunkt või muu, asjakohast kvalifikatsiooni omav isik.
 4. Enne seadme teenindamise juurde asumist tuleb veenduda, et selle pinge vastab kohalikus toitevõrgus esinevale pingele.
 5. Seadme ventilatsioonivälvad ei tohi kinni katta, nt ajalehtede, laualina, kardinatega, jms. Tuleb veenduda, et seadme kohal on vähemalt 20 cm vaba ruumi ja sellel igal küljel — vähemalt 5 cm.
 6. Ei tohi lasta tekkida olukorral kui seadmele või selle sisemusse tilgub või voolab vedelik ega tohi sellele asetada vedelikega täidetud esemeid, selliseid nagu vaasid.
 7. Tulekahju või elektrilöögi vältimiseks tuleb seadet kaitsta kuumade kohtade, vihma, niiskuse ja tolmu toime eest.
 8. Seadet ei tohi paigutada mingite veeallikate, nt kraanide, vannide, pesumasinate või ujumisbasseinide lähedusse. Seade tuleb asetada tasasele ja stabiilsele aluspinnale.
 9. Seadet ei tohi allutada tugevate magnetväljade toimele.
 10. Vahetult võimendile või vastuvõtjale seadet asetada ei tohi.
 11. Seadet ei tohi viia niiskesse kohta, sest niiskusel on elektrilistele allüksustele kahjulik mõju.
 12. Peale seadme külmast sooja või niiskesse kohta toomist võib möngija sees olevale läätsele tekkida niiskuse kondensatsioon. Sellises olukorras seade korralikult tööle ei hakka. Niiskuse aurumise vältimiseks tuleb sisselülitatud seade jätta umbes tunniks ajaks seisma.
 13. Seadet ei tohi puhastada keemiliste lahustitega, sest need võivad kahjustada korpuse lakikihti. Seadet pühitakse puhta, kuiva või vähesel määral niisutatud lapiga.
 14. Pistiku seinakontaktist eemaldamisel tuleb alati tõmmata pistikut, mitte aga toitekaablit.
 15. Kui sisselülitatud seadet kasutatakse sisselülitatud teleri läheduses võib see osutada ekraanil joontena nähtavate häirete allikaks. Sõltub TV ülekande laineribast. See ei tähenda aga ei seadme ega teleri väärat töötamist. Selliste häirete ilmumisel tuleb seade telerist eemale nihutada.
 16. Võrgupistikut kasutatakse toitepinge lahtiühendamiseks ja see peab alati juurdepääsetav olema.
 17. Võimalike kuulmiskahjustuste vältimiseks ei tohi muusikat pikemat aega valjult kuulata.



TÄHELEPANU



Deklaratsioon

Blaupunkt Competence Center 2N-Everpol Sp. z o.o. teavitab käesolevaga, et seade vastab direktiivi 2014/53 / EL nõuetele ja selle muudele asjakohastele sätetele. Täielik vastavusdeklaratsioon asub leheküljel www.blaupunkt.com toote järjehoidjas.

Vastutav ettevõtte: 2N-Everpol Sp. z o.o.

Puławska 403A, 02-801 Varssavi, Poola

Telefon: +48 22 331 99 59, e-mail: info@everpol.pl



Toode on toodetud kõrgkvaliteetsetest taastootmisesse suunatavatest ja taaskasutatavatest materjalidest ning allüksustest.



Seadmel paiknev läbitõmmatud prügikorvi sümbol tähendab, et toode on hõlmatud Euroopa direktiivi 2012/19/EU sätetega. Tutvuda kohaliku süsteemi elektriliste ja elektrooniliste jäätmete käitlemist puudutavate nõuetega. Toimida kooskõlas kehtivate eeskirjadega. Käesolevat toodet ei tohi ära visata koos tavaliste olmejäätmetega. Vana toote õige kõrvaldamine väldib potentsiaalseid looduskeskkonnale ja inimtervisele kahju tekitavaid tagajärgi.



Seade on varustatud Euroopa direktiiviga 2006/66/EC hõlmatud patareidega. Patareide äraviskamine koos kodumajapidamisjäätmetega on keelatud. Tutvuda patareide eraldiasetsevalt kogumist käsitlevate kohalike eeskirjadega, sest õige utiliseerimine väldib potentsiaalseid looduskeskkonnale ja inimtervisele kahju tekitavaid tagajärgi.

Looduskeskkonna kaitset käsitlev teave

Pakend sisaldab ainult vajalikke elemente. Tehtud on kõik endast olenev, et kolm koostismaterjali oleks hõlpsasti eraldatavad: papp (kast), polüstüreenvaht (seesmine kaitse) ja polüetüleen (kotid, kaitsepoogen). Toode on toodetud materjalidest, mida saab suunata taastootmisesse ja peale nende eriotstarbelise ettevõtte poolt demonteerimist, uuesti kasutada. Järgida pakendmaterjalide, patareide ja kasutatud seadmete utiliseerimist käsitlevaid kohalikke ettekirjutusi. Materjalide salvestamiseks ja esitamiseks võib vaja minna nõusolekut. Tutvuge autoriõiguse ja esinejate/kunstnike õiguste seadusega.

ERP2 (elektrienergiaga seotud seadmed) puudutav märkus

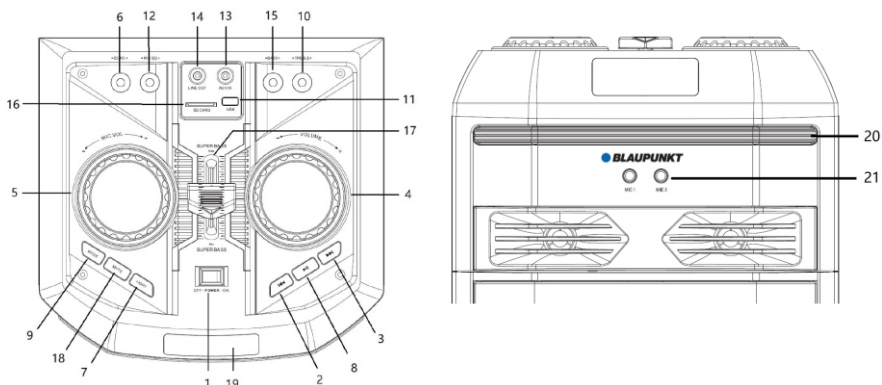
Käeolev ökoprojektiga seade vastab vastab ökoprojektide nõudeid käsitleva KOMISJONI (EÜ) MÄÄRUSE nr 1275/2008 kontori- ja kodukasutuseks mõeldud seadmete väljalülitatuna ja ooterežiimis energiatarbimist puudutava direktiivi 2009/125/WE jõustava 2. etapi nõuetele.



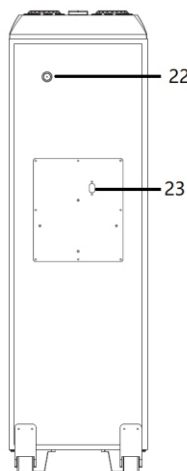
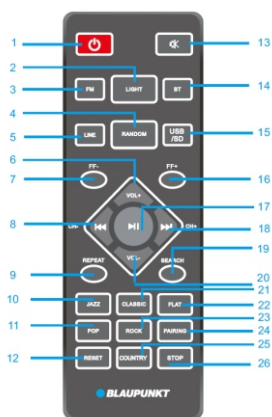
Kaubamärgi ja logo Bluetooth® omanik on ettevõtte Bluetooth SIG, Inc. USA. Asjaomaste kaubamärkide ja logo kasutamine on litsentseeritud. Muud märgid ja kaubanimed kuuluvad asjakohastele omanikele.

Täname meie seadme ostmise eest. Enne kasutamist tuleb käesoleva juhendiga tutvumiseks see hoolikalt läbi lugeda. Palume säilitada juhend edaspidiseks kasutamiseks.

Juhtpaneel



- 1-Sisse/väljalülitamise lülit; 2,3- Eelmine / järgmine; 4- Helitugevuse juhtimine; 5- Mikrofoni helitugevuse reguleerimine; 6- Mikrofoni kaja reguleerimine; 7- Diskovalgustus; 8- Esitus/ paus; 9-Allika valiku nupp; 10,15- Madalate ja kõrgete toonide reguleerimine; 11- USB port; 12- Mikrofoni kõrgete ja madalate toonide reguleerimine; 13- AUX IN sisend; 14- Audiosignaali väljund LINE OUT; 16- SD kaartide pesa; 17- Funktsioon Super bass; 18- Vaigistamine; 19- Kuvar; 20- Diskovalgustus; 21- Mikrofoni pesa 1 I 2; 22- FM antenni pesa; 23- Vahelduvvoolu toitejuhtme pesa;



Kaugjuhtimispuul

- 1 - Toitenupp; 2- Diskovalgustuse sisse/välja lülitamise nupp; 3, 5, 14, 15- Heli allika valiku nupp FM / LINE IN / Bluetooth / USB / SD; 4- Juhuvaimise funktsiooni sisse / väljalülitamise nupp; 6, 20- Helitugevus +/-; 7, 16- FF kiire kerimise nupp - / +; 8, 18- Eelmine ja järgmine, kanalite nupp - / +; 9- Kordamise nupp (korrata üks muusikapala / korrata kõik / lülitada välja); 10, 11, 21, 22, 23, 25- EQ režiimi nupud (Jazz / POP / Classic / Flat / Rock / Country); 12 - Algeadistuse nupp; 13- Helisummutuse nupp; 17- Esitus / paus; 19- Otsingu nupp; 24- Paarimise nupp; 26- Stopp nupp

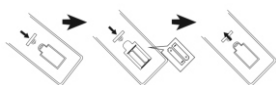
Toite ühendamine: Palun kontrollida, kas toiteallikas vastab seadme tagapaneelil paiknevale nimipingele spetsifikatsioonile. Kui ei vasta, tuleb müüja või teeninduskeskusega ühendust võtta. Toiteallika ühendamiseks sisestage emane kaablipistik seadmel paiknevasse pessa ja seejärel toitekaabli distik seinakontakti.



Akumulaatori laadimine: Seadmes on muusikat ilma vahelduvvoolu toite ühendamiseta mängida võimaldav sisseehitatud akumulaator. Laadimise ajal põleb kuvari alumises vasakus ülemises paikneva laadimise näidik punaselt. Peale täislaadimist muutub näidiku värv roheliseks. Patarei laeb samuti isegi peale seadme väljalülitamist aga saadaoleva vahelduvvoolu toiteallikaga ühendatuna. Akumulaatori laadimise aeg on 6 ~ 8 tundi ja muusika esitamise aeg on helitugevusest sõltuvalt ~ 3 ~ 4 tundi. Patarei madala laetuse korral lülitub seade automaatselt välja; edasiseks muusika esitamiseks tuleb akumulaator täis laadida. Kuvari paremas alumises nurgas on patarei sümbol, mis ainult ühte patarei sümboli jaotuse kuvamisel annab märku laadimise vajadusest.

Kaugjuhtimisuldi patarei paigaldamine

Avage patareikambri kate ja sisestage 2 AAA tüüpi patareid (komplektis); Veenduge, et patareide asetus oleks kambrile trükitud positiivse ja negatiivse polaarusega kooskõlas. Seejärel sulgege patareikate.



Märkused:

- Kaugjuhtimisuldi parim töökaugus on ilma mingite takistusteta 5 meetrit. Kasutamise ajal tuleb puldi andur suunata seadme esikülje poole.
- Puldi tundlikkus muutub patarei tühjaklaadimise käigus madalamaks. Tühjaks laadinud patareid tuleb uute vastu välja vahetada.
- Seadme pikema mittekasutamise korral võtke aku välja.
- Patareid tuleb ära visata keskkonnasõbralikul viisi. Selleks tuleb tutvuda kohalike nõuetega.

Üldine teenindamine

- Sisse / välja lülitamine:** Kõlari sisse- või väljalülitamiseks lülita ülapaneeil olev lüliti ümber; valmisoleku režiimi minekuks või seadme väljalülitamiseks vajuta kaugjuhtimisuldiil toitenuppu; Pikemaks mittetöötamise ajaks soovitage seadme täielikult välja lülitada.
- Esitamise allika valik:** FM / Bluetooth / Line in / USB/SD vahel valimiseks vajutage ülapaneeil allika valiku nuppu või kaugjuhtimisuldiil USB/SD nuppu FM, BT, LINE.
- Helitugevuse reguleerimine:** Helitugevuse tõstmiseks või muutmiseks pöörake ülapaneeil paiknevat helitugevuse juhtimise pöördnuppu või vajutage puldiil nuppu VOL +/- . Kaugjuhtimisuldi nuppu VOL +/- kasutatakse peamiselt piiratud aja jooksul helitugevuse reguleerimiseks. Maksimaalset helitugevust reguleeritakse peamise helitugevuse pöördnupu abil. Kaugjuhtimisuldi kaotuse korral ja kui helitugevus on liiga madal, lülita seade välja ning uuesti sisse, seejärel on tugevuse seaded lähtestatud.
- Madalate ja kõrgete toonide reguleerimine:** väljundheli kõla reguleerimiseks keera ülapaneeil kõrgete ja madalate helide pöördnuppu.
- Heli summutamine:** Nupu MUTE ülapaneeil või kaugjuhtimisuldiil vajutamine summutab heli; Selle nupu uuesti vajutamine taastab heli varem seadistatud tasandil.
- Korrektori seaded: Kaugjuhtimisuldiil asjakohase nupu vajutamine võimaldab valida järgnevate korrektori režiimide vahel: Jazz / Classic / Flat / POP / ROCK / Country (saadaval ainult USB / SD režiimis).
- Esitamine / peatamine:** Bluetooth / USB režiimis muusika esitamise peatamiseks või taastamiseks vajutage nuppu esitus /paus.
- Kordamine ja juhuesitus:** muusika asjakohase kordamise režiimi valimiseks vajutage korduse nuppu; USB/SD režiimis juhuesituse funktsiooni sisse / väljalülitamiseks vajutage juhuesituse nuppu.
- Valgustus:** kaheksa efekti vahel valgustuse režiimi ümberlülitamiseks või selle väljalülitamiseks vajutage korduvalt valgustuse nuppu.
- Algseadistus:** seadme tehaseseadetele taastamiseks vajutage puldiil algseadistuse nuppu.
- Super bass:** madalate sageduste võimendamiseks vajuta sisse funktsiooni super bass nupp.

FM raadio teenindamine

Enne FM raadio kuulamist tuleb sead, FM signaali parema vastuvõtu saavutamiseks, aknale lähemale asetada. Sisestage kaasasolev FM traatantenn seadme tagapaneelil paiknevasse FM antenni pesa, signaali parema vastuvõtmise saavutamiseks kerige antenn täies ulatuses lahti.

1. Raadiojaamade automaatne skaneerimine ja programmeerimine (automaatrežiim): ülapaneeil nupu esitus / paus lühike vajutamine või puldil otsingu nupu vajutamine käivitab saadaolevate jaamade automaatse skaneerimise ja salvestamise režiimi. Peale skaneerimise lõpetamist hakkab seade automaatselt mängima esimest programmeeritud jaama.

(Programmeeritud jaamade maksimaalne teenindatav arv: 40)

2. Raadiojaamade valimine: eelmise või järgneva programmeeritud jaama mängimiseks vajutage raadio režiimise ülapaneeil või kaugjuhtimispuldil nuppu järgmine / eelmine.

3. Käitsi seadistamine: jaamade 0.1 MHz sammuga seadistamiseks vajutage kaugjuhtimispuldil lühidalt nuppu FF +/- ; sagedusribal saadaolevate jaamade üles või allapoole skännimiseks ja automaatseks mängimiseks vajutage ning hoidke 2 sekundit nuppu eelmine / järgmine.

USB/SD esitamine

Seadmel on kaasaskantavatel USB/SD mälu deltel USB/SD esitamise funktsioon. Enne esitamist kopeerige muusika MP3/WMA muusika kaasaskantavale mälu le; Sisestage mälu seadmesse, sest USB/SD esitamise režiim on saadaval ainult mälu õigesti ühendamise korral. Seejärel avab ja esitab seade MP3/WMA failid automaatselt.

Muusikapala valimine: eelmise või järgmise muusikapala valimiseks vajutage lühidalt nuppu eelmine/järgmine; Hetkel esitatava muusikapala edasi kerimiseks vajutage ja hoidke kerimise nuppu, muusika esitamise jätkamiseks vabastage nupp. USB/SD režiimis on saadaval järgnevad funktsioonid: esitus / paus, summutamine, kordus, heli korrektor, kõrgete / madalate toonide reguleerimine/funktsioon stop jne. Üksikasjad võib leida käesoleva juhendi punktis „Üldine teenindamine“.

Märkused:

- USB pikendusjuhtme abil USB mälu ühendamine ei ole soovitatav, sest see võib mõjutada negatiivselt esituse kvaliteeti ja põhjustada failide kuulamisel, audioandmete kaost tingitud, müra või katkendlikku heli.
- Kõikide MP3/WMA formaadis muusikapalade dekodeerimist ja esitamist ei ole võimalik tagada.
- Seade teenindab mälusid maksimaalse mahuga 32GB
- Tüübi ja tootjaga seoses võib mõnede USB mälu de automaatne avamine rohkem aega võtta; Tuleb mees pidada, et see ei ole viga.

Bluetooth toimimine

Asjaomasel tootel on funktsioon Bluetooth, mis võimaldab teiselt Bluetooth seadmelt (nagu nutitelefon, tahvelarvuti, jne) muusika juhtmevaba esitust.

- Vajutage Bluetooth režiimi sisenemiseks korduvalt allika valiku nupule, kuvaril hakkab vilkuma Bluetoothi sümbol, mis tähendab, et seade on paarimiseks valmis.
- Lülitage välisel seadmel sisse Bluetooth funktsioon ja otsige saadaolevaid seadmeid (tutvuge välise seadme teenindusjuhendiga) ning leidke seejärel saadaolev Bluetooth seade loendist. Märgistage paarimiseks "BP PS11DB"; peale vaikimisi paarimist hakkab Bluetoothi sümbol kuvaril põlema pideva tulega..
- Valige ja mängige väliselt Bluetooth seadmelt muusika ja seejärel esitatakse heli käesoleva seadme kõlari abil.
- Esitamise ajal eelneva ja järgneva muusikapala valimiseks vajutage nuppu eelmine / järgmine.
- Bluetooth režiimis võib saavutada esituse / pausi, summutamise, heli korrektori, kõrgete ja madalate toonide korrektori funktsioonid. Üksikasjad võib leida käesoleva juhendi punktis „Üldine teenindamine“.

Märkused:

- Seoses erinevate konstruktsioonide ja kaubamärkidega ei ole kõikide Bluetooth seadmetega korralikku ühendamist võimalik tagada.
- Bluetooth töökaugus on ilma mingite takistusteta 10 meetrit.
- Seade võib paarduda ühe Bluetooth seadmega üheaegselt.
- Bluetooth esituse ajal sissetuleva ühenduse korral; Muusika peatub hetkeks ja taastab esitamise peale telefonikõne lõppemist.
- Bluetooth seadmega jooksva ühenduse peatamiseks ja muu seadmega paarimise alustamiseks vajutage puldil paarimise nuppu.

Tõttamine AUX IN režiimis

Muult mängijalt või seadmelt muusika ühendamiseks ja esitamiseks tuleb toimida vastavalt alljärgnevale juhendile:

Kasutades audiokaablit (komplektis) tuleb ülapaneeil paiknev AUX IN pesa ühendada mängija, nagu nt MP3, CD, DVD mängija, mikserpuldil, jne, liiniväljundi või kuulari pesaga. Seejärel tuleb välisel mängijal valida ja esitada muusika ning heli esitatakse käesoleva seadme abil.

AUX-IN režiimis toimub esituse peajuhtimine välise seadme abil. Käesolevas seadmes võite kontrollida helitugevust, summutada heli ja reguleerida basside ning sopranite taset.

Liiniväljund: ühenda ülapaneeil paiknev väljund LINE OUT audiojuhtme (komplektis) abil välise aktiivkõlari pesaga AUX IN. Vali ja mängi käesolevas seadmes muusika ning järgnevalt esitatakse heli nii antud seadme kõlarite kui ka välise aktiivkõlari abil.

Karaoke

Avage juhtmevaba mikrofoni (komplektis) patareikate, sisestage positiivse ja negatiivse polaarsuse graveeritud sümbolitega kooskõlas 2 tk AA suuruses kuiva patareid (ei ole komplektis) patareikambrisse ja sulgege seejärel mikrofoni patareikate. Mikrofoni sisselülitamiseks seadke lüliti sisselülitatud asendisse. Mõne sekundi möödudes paarib kõlar end juhtmevaba mikrofoniga automaatselt. Seadistage ülapaneeil mikrofoni sobiv väljundvaljus ja võite seejärel laulma hakata. Seadmel on ka juhtmega mikrofonile mõeldud topeltpesa, sisestage juhtmega mikrofon (ei ole komplektis) 6,5 mm pesa ja lülitage mikrofon laulmiseks sisse.

Parady:

- Kasutades seadet Karaoke funktsiooni teenindamiseks, võite ülapaneeil pöördnuppu asjakohase pöördnupuga seadistada mikrofoni sobiva väljundvaljuse / kõrged toonid / bassid / kaja.
- Hetkel kui helitugevuse tase, basside ja sopranite seaded või kaja funktsioon on seatud liiga kõrgele tasemele võib seade väljastada valju müra või helimoonutusi. See ei ole viga. Ülaltoodud seadete tase tuleb alandada ja seejärel mikrofon sisse või välja lülitada.
- Karaoke funktsiooni kasutada ja muusikat kuulata võite üheaegselt; Juhul, kui tekib vajadus tõsta karaoke helitugevust ja vähendada taustmuusika taset, võite mikrofoni valjuse ja kõlari taseme asjakohaste pöördnuppudega eraldi reguleerida.
- Kui mikrofon on asetatud kõlari kõrvale, tuleb see välja lülitada, vastasel korral tekitab see suurt müra.
- Juhtmevaba mikrofoni korpusel on mikrofoni heli summutada võimaldav helisummutuse lüliti.

Probleemide lahendamine

- Kõlarit ei saa sisse lülitada.
 - Kontrollige kas toide on õigesti ühendatud.
- Puudub heli.
 - Proovige reguleerida helitugevuse pöördnuppu ja kontrollida esituse allikat.
 - Probleemi säilimise korral võtke ühendust teeninduskeskusega.
- Heli on moonutatud.
 - Proovige muusikat kohandada ja esitada madalamal helitugevuse tasemel.
 - Kontrollige kõrgete / madalate toonide seadete seisundit.
- Müra FM jaamade kuulamisel.
 - Viide seade paremaks vastuvõtuks teise kohta.
 - Lülitage skaneerimine uuesti sisse või vahetage jaama.
 - Proovige FM antenn lahti kerida ja kohandada selle suund.

Spetsifikatsioon

Toiteallikas: AC 110-240V, 50/60 Hz.

Akutoide: 18V/4.5AH

FM sagedus: 87,5-108,0 MHz.

USB liides: 5V, 500mA, versioon 2.0, kuni 32 GB massimälu teenindamine.

SD kaart: teenindatavad andmekandjad kuni 32 GB.

USB / SD kaardid teenindavad muusikavorminguid: MP3, WMA (kõikide sellist tüüpi failide esitamine ei ole tagatud)

Bluetooth: V2.1 + EDR, töökaugus kuni 10m

RMS väljundvõimsus: 2 x 45W.

Madalate ja kõrgete toonide reguleerimine: -9dB~+9dB.

Mikrofon: sisend 2 x 6,5 mm, juhtmega mikrofoni ühendus.

2 x juhtmevaba mikrofon (sagedus: 208,8 MHz, 215MHz, toiteallikas: 2 x 1,5V, AA)

Võimsustarbimine: 90W

Võimsustarbimine valmisoleku režiimis: <0.5W.

(Ülaltoodud spetsifikatsioon võib ilma hoiatamiseta alluda muudatustele)

SVARBIOS SAUGOS INSTRUKCIJOS

ELEKTROS SMŪGIO GRĖSMĖ
DRAUDŽIAMA ATIDARYTI**Įspėjimas:**

Kad sumažintumėte elektros smūgio riziką, draudžiama išmontuoti įrenginio dangtelį ar galinę dalį. Įrenginyje nėra komponentų skirtų vartotojui savarankiškai taisyti. Techninė priežiūra ir remontas aptarnaujami tik kvalifikuoto techninio personalo.

Grafinių simbolių paaiškinimas:

Zaibo simbolis užbaigtas rodykle lygiakraščiame trikampyje įspėja vartotoją apie neizoliuotą "pavojingą įtampą" esančią įrenginio korpusė, kuri gali pasiekti dydį sukeltą elektros smūgio pavojų.



Šauktuko ženklas lygiakraščiame trikampyje įspėja vartotoją, kad šiame punkte pateikiama svarbi informacija apie įrangos veikimą ir techninę priežiūrą dokumentuose pateikiamuose su įrenginiu.

Prašome perskaityti šias instrukcijas prieš pradėdant įrenginio naudojimą, kad susipažinti su jo funkcijomis ir naudoti jį taip, kaip numatyta. Tai užtikrins ilgalaikį įrenginio veikimą be gedimų ir jo naudojimo malonumą.

Svarbi informacija

- Privaloma išsaugoti šias naudojimo instrukcijas ir saugos informaciją būsimam naudojimui.
- Neleiskite skysčiams lašėti ar išsilieti ant įrenginio.
- Draudžiama taip pat naudoti jį drėgnose vietose, pvz. vonios kambaryje.
- Draudžiama įrengti šį įrenginį tokiose vietose:
- Vietos neapsaugotos nuo tiesioginių saulės spindulių ar šalia radiatorių.
- Dėti jį ant viršaus kitos stereofoninės įrangos, kuri išleidžia šilumą.
- Blokuojant ventiliaciją arba dulketoje vietoje.
- Vietose, kuriose vyksta nuolatinė vibracija.
- Vietose, kur yra didelė drėgmė.
- Draudžiama dėti įrenginį arti žvakių ar atviros liepsnos.
- Įrenginys gali būti naudojamas tik šiame vadove aprašytu būdu.
- Prieš įjungdami maitinimą pirmą kartą, įsitikinkite, kad srovės adapteris yra tinkamai prijungtas.
- USB atmintinė jungiami tiesiogiai arba su USB pratęsimo laidu iki 25 cm ilgio.

Dėl saugumo priežasčių, draudžiamas gaubūtų išmontavimas bei įrenginio vidaus atskleidimas. Įrenginio remontas turėtų būti aptarnaujamas kvalifikuoto techninio personalo.

Draudžiama ardyti įrenginį bei atidarinėti jo korpusą, nes jo viduje nėra jokių dalių, kurias galėtų naudotojas pataisyti. Techninė priežiūra ir remontas aptarnaujami tik kvalifikuoto techninio personalo.

SAUGOS INSTRUKCIJOS

1. Perskaitykite instrukcijas – prieš naudodami įrenginį perskaitykite visą naudojimo instrukciją ir saugos informaciją.
2. Išsaugokite instrukcijas – privaloma išsaugoti naudojimo ir valdymo instrukcijas būsimam naudojimui.
3. Laikykitės įspėjimų – privaloma laikytis visų prietaiso įspėjimų pateiktų ant įrenginio ir vadovautis naudojimo instrukcijomis.
4. Laikykitės instrukcijų – privaloma vadovautis naudojimo instrukcijomis bei nurodymais vartotojų.
5. Diegimas – nustatykite įrenginį pagal gamintojo instrukcijas.
6. Maitinimo šaltiniai – įrenginys turi būti maitinamas tik iš šaltinių, kurių parametrai nurodyti maitinimo laido žymenyse. Jei vartotojas nėra tikras, kokios energijos tipą turi namuose, turėtų susisiekti su savo įrenginio platintoju arba vietiniu elektros energijos tiekėju.
7. Maitinimo šaltinio įžeminimas arba poliarizacija – įrenginys neturi būti įžemintas. Privaloma įsitikinti, kad kištukas yra visiškai įdėtas į elektros tinklo lizdą arba pratęsimo laidą, kad išvengtų kaiščių ar kontaktų ekspozicijos. Kai kuriose įrenginio versijose gali būti polarizuotas kintamosios srovės maitinimo kaiščių (su vienu platesniu kaiščiu). Šis kištukas gali būti įjungtas į elektros tinklo lizdą tik vienu būdu. Tai apsaugos funkcija. Jei negalite įkišti kištuko į lizdą, pabandykite jį apsukti. Jei kištukas vis dar netelpa į lizdą, elektrikas turėtų jį pakeisti. Draudžiama nuimti apsaugos priemonės nuo polarizuoto kištuko. Jeigu naudojamas pratęsimo laidas ar maitinimo laidas kitokie nei pateikti kartu su įrenginiu, jie turėtų turėti tinkamus kištukus ir saugos sertifikatus reikalaujamus tam tikroje šalyje.
8. Maitinimo laido apsaugos priemonės – maitinimo kabeliai turi būti nuvesti taip, kad po juos negalėtų vaikščioti, jų prispausti ar prikirsti padėtais objektais. Atkreipkite ypatingą dėmesį į kištukus, maitinimo lizdus ir vietas, kuriose laidai išvesti iš įrenginio.
9. Perkrovimas – draudžiama perkrauti sieninius lizdus, pratęsimo laidus ir elektros skirstytuvus, nes tai gali sukelti gaisrą arba elektros smūgį.
10. Vėdinimas – įrenginys turi būti tinkamai vėdinamas. Draudžiama dėti įrenginį ant lovos, sofos ar ant panašių paviršių. Draudžiama pridengti įrenginį staltiesėmis, servetėlėmis, laikraščiais ir pan.
11. Šiluma – nedėkite įrenginio arti šilumos šaltinių, tokių kaip šildytuvai, radiatoriai, krosnys ar kiti prietaisai (įskaitant stipriklus), kurie gamina šilumą. Nedėkite ant įrenginio uždegtų žvakių ar kitokių atviros ugnies šaltinių.
12. Vanduo ir drėgmė – norėdami sumažinti gaisro ar elektros smūgio pavojų, saugokite įrenginį nuo tiesioginio lietaus, vandens ir drėgmės poveikio, tokio kaip pvz. saunoje ar vonioje. Nenaudokite šio įrenginio šalia vandens, pavyzdžiui, prie vonios, kriauklės, virtuvės ar kubelio, šlapiame rūsyje arba prie baseino (ar panašiose vietose).
13. Objektai ir skysčiai įrenginyje – draudžiama kišti bet kokius daiktus per įrenginio angas, nes jie gali liestis su pavojingomis įtampomis taškais ir komponentais, dėl ko gali kilti gaisras arba įvykti elektros smūgis. Griežtai draudžiama išpilti bet kokius skysčius ant įrenginio paviršiaus. Draudžiama dėti ant įrenginio viršaus objektus, kuriuose yra skysčių.

14. Valymas – prieš valydamis visada išjunkite įrenginį iš elektros tinklo lizdo. Dulkes aplink garsiakalbį galima nuvalyti sausu skudurėliu. Jei valymui naudojamas aerosolis, nepartartina kreipti purškimo srauto tiesiai į prietaisą, bet ant skudurėlio. Būkite atsargūs, kad nesugadintumėte pavaro šaltinį.
15. Papildoma įranga – draudžiama naudoti priedus, kurie nėra patvirtinti gamintojo, nes jie gali kelti pavojų.
16. Priedai – draudžiama statyti įrenginį ant nestabilius vežimėlio, stovo, trikojo, atramos ar stalo. Prietaisas gali apsvirsti ir susigadinti, bei sunkiai sužeisti vaiką ar suaugusį asmenį. Privaloma naudoti tik gamintojo nurodytus vežimėlius, stovus, trikojus, atramas ar stalus arba paruošamus kartu su įrenginiu. Įrenginio surinkimą privaloma atlikti pagal gamintojo instrukcijas naudojant gamintojo rekomenduojamą surinkimo komplektą.
17. Prietaiso perkėlimas – ant vežimėlio padėti įrenginį būtina stumti labai atsargiai. Staigus stabdymas, per didelė jėga arba netolygūs paviršiai gali sukelti vežimėlio išsivertimą kartu su įrenginiu.
18. Įrenginio nenaudojimo laikas – atjunkite maitinimo laidą nuo elektros lizdo audros su žaibais metu arba jeigu įrenginys nebus naudojamas ilgą laiką.
19. Techninis aptarnavimas – draudžiama savarankiškai bandyti asmeniškai naršyti įrenginį. Dangčio atidarymas gali sukelti kontaktą su pavojinga įtampa ir sukelti vartotojui kitus pavojus. Techninė priežiūra ir remontas aptarnaujami tik kvalifikuoto techninio personalo.
20. Kai įrenginys nenaudojamas, atjunkite jo maitinimo kištuką nuo elektros lizdo. Kai prietaisas prijungtas prie maitinimo šaltinio, jis veikia budėjimo režime ir nėra visiškai išjungtas.
21. Atsarginės dalys – keičiant dalis, įsitikinkite, kad techninės priežiūros darbuotojas panaudojo gamintojo rekomenduotas atsargines dalis arba kad dalys yra identiškos originalioms dalims. Nepatvirtintų dalių panaudojimas sukelia gaisro, elektros smūgio pavojų ar kitus pavojus.
22. Pagrindiniai saugikliai – kad prietaisas būtų nuolat apsaugotas nuo gaisro, naudokite tinkamo tipo ir parametrų saugiklius. Saugiklių parametrai tam tikrame įtampos diapazone yra pažymėti ant įrenginio.
23. Draudžiama didinti garsumą klausydamai nedidelio garsumo kūrinių dalies arba nesant įvesties audio signalui. Kitaip garsiakalbis gali sugesti jei signalo stiprumas sparčiai padidėja.
24. Vienintelis būdas visiškai atjungti įrenginį nuo maitinimo šaltinio tai ištraukti maitinimo laidą iš elektros srovės lizdo arba iš įrenginio. Naudojant įrenginį, visada turi būti prieinamas elektros tinklo lizdas arba maitinimo laido įėjimas į įrenginį.
25. Įrenginys turi būti dedamas šalia maitinimo tinklo lizdo arba pratęsimo laido taip, kad jis visada būtų prieinamas.
26. Didžiausia įrenginio aplinkos temperatūra tai 35°C.
27. Patarimai dėl elektrostatinių iškrovų – jei prietaiso veiksmingumas yra veikiamas elektrostatinių iškrovimų, išjunkite jį ir vėl įjunkite arba perkelkite įrenginį į kitą vietą.
28. Baterija
 - a. Baterijos negali būti veikiamos per didelės temperatūros, pavyzdžiui, saulės spindulių, ugnies ir t.
 - b. Išmesdami baterijas, atkreipkite dėmesį į aplinkosaugos aspektus.
 - c. Įspėjimas dėl baterijų naudojimo: norėdami išvengti baterijų nutekėjimo, dėl kurio galite sužaloti savo kūną ar sugadinti įrenginį:
 - Įdėdami bateriją atkreipkite dėmesį į jos poliarizaciją (+ ir -).
 - Nenaudokite skirtingų baterijų tuo pačiu laiku – senų ir naujų, standartinių ir šarminių baterijų ir kt.
 - Ilgesnį laiką nesinaudojant įrenginiu, išimkite iš jo baterijas.

ĮSPĖJIMAS

Įrenginiu neturėtų naudotis asmenys (įskaitant vaikus), turintys mažesnes fizines, juslines ar psichines galimybes, ir asmenys, neturintys pakankamai žinių ir patirties, jei jie nėra prižiūrimi asmenų atsakingų už jų saugą, ir nebuvo jiems įnurodyta, kaip saugiai naudoti įrenginį. Suaugusių asmenų buvimas reikalingas, jei vaikai naudoja prietaisą; tai užtikrins saugų įrenginio naudojimą.

1. Niekada nepalikite veikiančio įrenginio be priežiūros. Išjunkite prietaisą, kai jis nenaudojamas, net trumpą laiką.
2. Prietaiso negalima valdyti per išorinį laikrodį su sinchronizavimo grandinėmis arba per atskirą nuotolinio valdymo sistemą.
3. Norėdami išvengti pavojaus maitinimo laido sužalojimo atveju, jį pakeisti turėtų gamintojas, įgaliotas aptarnavimo centras ar kitas kvalifikuotas asmuo.
4. Prieš pradėdami įrenginio naudojimą patikrinkite, ar jo įtampa atitinka vietos maitinimo įtampą.
5. Draudžiama uždengti prietaiso ventiliacijos angas, pvz. laikraščiais, staltiese, užuolaidomis ir pan. Įsitikinkite, kad virš įrenginio yra ne mažiau kaip 20 cm laisvos vietos ir bent 5 cm iš kiekvienos jo pusės.
6. Neleiskite, kad ant įrenginio nutekėtų ar išsilietų skystis, be to, nedėkite ant jo pripildytų skysčiais objektų, tokių kaip vazos.
7. Norėdami išvengti gaisro ar elektros smūgio, apsaugokite prietaisą nuo karštų vietų, lietaus, drėgmės ir dulkių poveikio.
8. Draudžiama statyti įrenginį arti bent kokių vandens šaltinių, pvz. čiaupų, vonių, skalbimo mašinų ar plaukiojimo baseinų. Įrenginį dėkite ant lygaus ir stabilaus paviršiaus.
9. Saugokite įrenginį nuo stipraus magnetinio lauko.
10. Draudžiama statyti įrenginį tiesiai ant stiptintuvo ar AV imtuvo.
11. Draudžiama statyti įrenginį drėgnoje vietoje, nes drėgmė neigiamai veikia elektrinius komponentus.
12. Kai įrenginys atnešamas iš šaltos į šiltą vietą arba į drėgną vietą, ant objektyvo, esančio grotuvo viduje, gali įvykti drėgmės kondensacija. Tokiu atveju įrenginys dirbs netinkamai. Palikite įrenginį maždaug vienai valandai, kad drėgmė išgaruotų.
13. Draudžiama valyti įrenginį cheminiais tirpikliais, nes jie gali pažeisti dengiamąjį laką. Prietaisą valykite švariu, sausu arba šiek tiek drėgnu skudurėliu.
14. Ištraukdami kištuką iš sieninio lizdo, visada traukite už kištuko, niekadus už maitinimo laido.
15. Jeigu įjungtas įrenginys naudojamas šalia įjungto televizoriaus, jis gali sukelti vaizdo iškraipymą linijos ekrane pavidalu. Tai priklauso nuo TV transliacijos bangų juostos. Tai nereiškia, kad įrenginys arba televizorius yra sutrikę. Jei matote tokias linijas, atitolinkite įrenginį nuo televizoriaus.
16. Maitinimo kištukas naudojamas maitinimo įtampos atjungimui ir visada turėtų būti prieinamas.
17. Norėdami išvengti galimo klausos praradimo, ilgai neklusykite garsios muzikos.



DĖMESIO



Deklaracija

Šiuo Blaupunkt Competence Center 2N-Everpol Sp. z o.o. deklaruoja, kad šis įrenginys atitinka Direktyvos 2014/53 / ES reikalavimus ir kitas atitinkamas nuostatas. Visą atitiktą deklaraciją galite rasti interneto svetainėje www.blaupunkt.com gaminio skyriuje.

Atsakingas subjektas 2N-Everpol Sp. Z o.o.

Puławska 403A, 02-801 Warszawa, Polska

Telefonas: +48 22 331 99 59, e. paštas: info@everpol.pl



Produktas pagamintas iš aukštos kokybės medžiagų ir komponentų, kuriuos galima perdirbti ir pakartotinai naudoti.



Jei ant jūsų įrenginio randasi išbrauktas šiukšliadėžės žymeklis, tai reiškia, kad gaminį reglamentuoja Europos direktyvos 2012/19 /ES nuostatos. Privaloma susipažinti su vietos elektros ir elektroninių atliekų surinkimo sistemos reikalavimais. Privaloma laikytis vietinių taisyklių. Draudžiama išmesti šį įrenginį kartu su įprastomis buitinėmis atliekomis. Tinkamas senėjo produkto pašalinimas užtikrins galimų neigiamų pasekmių aplinkai ir žmonių sveikatai prevenciją.



Šiame įrenginyje yra baterijos, kurioms taikoma Europos direktyva 2006/66/EC. Baterijas draudžiama išmesti kartu su buitinėmis atliekomis. Privaloma susipažinti su vietos atskirų medžiagų rinkimo reglamentus, nes dėl teisingo šalinimo bus išvengta galimų neigiamų pasekmių aplinkai ir žmonių sveikatai.

Informacija apie aplinkos apsaugą

Pakuotėje yra tik būtini elementai. Buvo imtasi visų pastangų, kad būtų galima lengvai atskirti tris pakuotės sudedamąsias dalis: kartoną (dėžę), polistirolo putplastį (apsauginė dangą) ir polietileną (krepšeliai, apsauginis lakštas). Prietaisas pagamintas iš medžiagų, kurios gali būti perdirbamos ir pakartotinai panaudotos, kai jas išmontuoja specializuota įmonė. Privaloma laikytis vietinių pakavimo medžiagų, sunaudotų baterijų ir nereikalingų įrenginių šalinimo taisyklių. Medžiagų įrašymui ir atkūrimui gali reikėti sutikimo. Žr. autorių teisių ir atlikėjų/artistų teisių įstatymą.

Pastaba apie ERP2 (su energija susijusių įrangą)

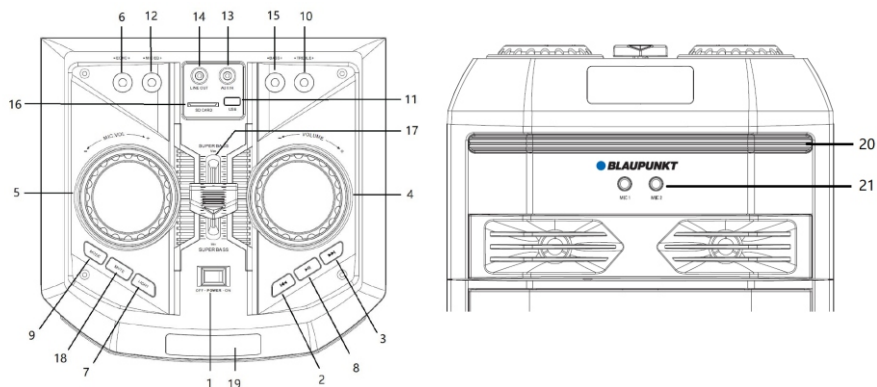
Šis ekologinio projektavimo įrenginys atitinka Komisijos reglamento (EB) Nr. 1275/2008, kuriuo įgyvendinama Direktyva 2009/125/EB dėl nenaudojamų ir budėjimo režimo elektroninių prietaisų energijos vartojimo biure ir buities reikmėms, 2 etapui.



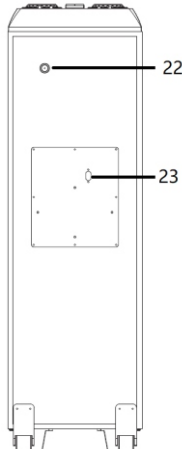
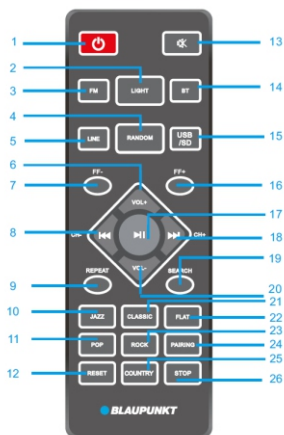
Bluetooth® prekės ženklai ir logotipai priklauso įmonei Bluetooth SIG, Inc. JAV. Šių ženklų ir logotipų naudojimas pagal licenciją. Kiti prekių ženklai ir prekių pavadinimai priklauso atitinkamiems savininkams.

Dėkojame, kad įsigijote mūsų įrenginį. Prieš pradėdami dirbti, atidžiai perskaitykite ir susipažinkite su instrukcijos turiniu. Prašome laikyti instrukciją dėl tolesnio naudojimo.

Valdymo panelė



- 1- Įjungimo / išjungimo jungiklis; 2,3- ankstesnis / sekantis; 4- Garsumo valdymas;
- 5- Mikrofono garsumo reguliacija; 6- Mikrofono aido reguliacija; 7- Disko apšvietimas; 8- Atkūrimas / pauzė;
- 9- Šaltinio pasirinkimo mygtukas; 10,15- Žemų ir aukštų tonų reguliacija; 11- USB lizdas;
- 12- Mikrofono aukštų ir žemų tonų reguliacija; 13- AUX IN įvestis; 14- LINE OUT garso signalo išvestis;
- 16- SD kortelių lizdas; 17- Super bass funkcija; 18- Nutildymas; 19- Ekranas; 20- Disco apšvietimas;
- 21- 1 ir 2 mikrofono lizdas; 22 - FM antenos lizdas; 23- Kintamosios srovės (AC) maitinimo laido lizdas;



Nuotolinio valdymo pultas

- 1 – Maitinimo mygtukas; 2- Mygtukas, skirtas diskotekos apšvietimui įjungti / išjungti;
- 3, 5, 14, 15- Garso šaltinio FM / LINE IN / Bluetooth / USB / SD pasirinkimo mygtukas;
- 4- Mygtukas skirtas įjungti / išjungti atsitiktinio atkūrimo funkciją
- 6, 20- Garsumas +/-; 7, 16- Greitas slinkties mygtukas FF - / +;
- 8, 18- Ankstesnis ir kitas, kanalo mygtukas - / +; 9- Kartojimo mygtukas (kartoti vieną kūrinį / pakartoti viską / išjungti);
- 10, 11, 21, 22, 23, 25- EQ (Jazz / POP / Classic / Flat / Rock / Country) režimo mygtukas
- 12- Mygtukas reset;
- 13- Nutildymo mygtukas;
- 17- Atkūrimas / pauzė; 19- Paieškos mygtukas;
- 24- Poravimo mygtukas; 26- Stop mygtukas;

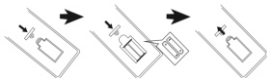
Maitinimo prijungimas: Prašome patikrinti, ar maitinimo šaltinis atitinka nominalios įtampos specifikacijai, kuri yra galiniame prietaiso skyde. Jei neatitinka, reikia susisiekti su pardavėju arba servisu. Įkiškite moterišką maitinimo laido kištuką į prietaiso lizdą, tada įjunkite maitinimo laidą į sieninį lizdą dėl maitinimo šaltinio gavimo.



Akumulatoriaus pakrovimas: Įrenginyje yra įmontuotas akumulatorius groti muzikai bei kintamosios srovės maitinimo šaltinio. Įkrovimo metu akumulatoriaus įkrovimo indikatorius kairiajame viršutiniame ekrano kampe bus raudonas. Įkrovimo indikatorius bus žalias, kai akumulatorius visiškai įkrautas. Baterija bus kraunama net kai įrenginys išjungtas, bet su prienamą kintamosios srovės šaltiniu. Akumulatoriaus įkrovimo laikas tai 6 ~ 8 valandos, o grojimo trukmė – 3 ~ 4 valandos priklausomai nuo atkūrimo garsumo. Įrenginys išsijungia automatiškai kai baterija turi žemą pakrovimo lygį; reikia įkrauti akumuliatorių tolimesniam atkūrimui. Apatiniame dešiniajame ekrano kampe yra baterijos simbolis, rekomenduojame pradėti įkrauti bateriją, kai baterijos simbolįje rodomas tik vienas blokas.

Nuotolinio valdymo pulto baterijos instaliacija

Atidarykite akumulatoriaus skyriaus dangtelį ir įdėkite 2 AAA baterijas (rinkinyje); įsitikinkite, kad baterijų įdėjimas atitinka kameroje išspausdintus teigiamus ir neigiamus poliškumo simbolius. Po to uždarykite baterijų dangtį.



Pastabos:

- Geriausias nuotolinio valdymo pulto darbinis atstumas yra 5 metrai be jokių kliūčių. Naudojant nuotolinio valdymo jutiklis turi būti nukreiptas į įrenginio priekį.
- Nuotolinio valdymo pulto jautrumas išsikrovus baterijai taps silpnesnis. Išnaudotas baterijas reikia iškeisti naujomis.
- Jei nenaudojate prietaiso ilgą laiką, išimkite bateriją.
- Baterijas reikia utilizuoti aplinkai nekenksmingu būdu. Norėdami tai padaryti, turite susipažinti su vietos valdžios institucijų reikalavimais.

Bendras valdymas

- Įjungimas / išjungimas:** Norėdami įjungti arba išjungti garsiakalbį, perjunkite viršutiniame skydelyje esantį maitinimo jungiklį; paspauskite nuotolinio valdymo pulto maitinimo mygtuką, kad peritumėte į budėjimo režimą arba išjungtumėte įrenginį; Siūlome visiškai išjungti įrenginį, jei nenaudojamas ilgesnį laiką.
- Atkūrimo šaltinio pasirinkimas:** Paspauskite šaltinio pasirinkimo mygtuką viršutinėje panelėje arba paspauskite FM, BT, LINE, mygtuką USB/SD nuotolinio valdymo pulte norėdami perjungti atkūrimo šaltinį tarp FM / Bluetooth / Line in / USB/SD.
- Garsumo reguliacija:** Pasukite garsumo valdymo rankenėlę ant viršutinės panelės arba paspauskite mygtuką VOL +/- nuotolinio valdymo pulte, kad padidintumėte arba sumažintumėte garsumą. Nuotolinio valdymo pulte esantis VOL +/- mygtukas dažniausiai naudojamas ribotam garsumo lygio reguliavimui. Maksimalus garsumas reguliuojamas naudojant pagrindinį sukamąjį garsumo jungiklį. Jei nuotolinio valdymo pultas prarastas, o garsumo lygis per mažas, išjunkite ir vėl įjunkite prietaisą, tada garsumo nustatymas bus nustatytas iš naujo.
- Žemų ir aukštų tonų reguliacija:** pasukite aukštų ir žemų tonų sukamąjį jungiklį viršutiniame skydelyje, kad sureguliuotumėte išvesties garso skambesį.
- Garso nutildymas:** MUTE mygtuko paspaudimas viršutinėje panelėje arba nuotolinio valdymo pulte sukels garso sutildymą; Paspaudus šį mygtuką vėl atkuriamas garsas iki anksčiau nustatyto lygio.
- Korektorius nustatymas:** Paspaudus atitinkamą nuotolinio valdymo pulto mygtuką galite pakeisti korektoriaus režimą tarp Jazz / Classic / Flat / POP / ROCK / Country (tik su USB / SD režimu).
- Atkūrimas / sustabdymas:** paspauskite paleidimo / pauzės mygtuką, kad pristabdytumėte arba atnaujintumėte muziką Bluetooth / USB režime.
- Kartojimas ir atsitiktinis atkūrimas:** paspauskite pakartojimo mygtuką, kad įjungtumėte atitinkamą muzikos kartojimo režimą; Paspauskite atsitiktinio atkūrimo mygtuką, kad įjungtumėte / išjungtumėte atsitiktinio atkūrimo funkciją USB/SD režime.
- Apšvietimas:** keletą kartų paspauskite apšvietimo mygtuką, kad įjungtumėte apšvietimo režimą tarp aštuonių efektų arba į išjungtumėte.
- Reset:** paspauskite reset mygtuką nuotolinio valdymo pulte, kad atkurtumėte gamyklinius nustatymus.
- Super bass:** paspauskite super bass mygtuką, kad sustiprintumėte žemų dažnių skambesį.

FM radijo valdymas

Prieš klausydamiesi FM radijo, perkelkite prietaisą prie lango, kad gautumėte geresnį FM radijo ryšį. Įdėkite prijungtą laidinę FM anteną į FM antenos lizdą, kuris yra galinėje įrenginio panelėje, visiškai išplėskite anteną, kad gautumėte geresnį signalo priėmimą.

1. Automatinis radijo stočių nuskaitymas ir programavimas (automatinis režimas): trumpas grojimo / pauzės mygtuko paspaudimas viršutinėje panelėje arba paieškos mygtuko paspaudimas nuotolinio valdymo pulte įjungia radijo stočių automatinio nuskaitymo ir išsaugojimo režimą. Kai nuskaitymas bus baigtas, įrenginys automatiškai pradės groti pirmąją iš anksto nustatytą stotį. (Maksimalus palaikomas iš anksto nustatytų stočių skaičius: 40)

2. Radijo stočių pasirinkimas: norėdami pasirinkti ir paleisti ankstesnę ar kitą numatytą stotį radijo režime paspauskite mygtuką ankstesnis/kitas viršutinėje panelėje arba nuotolinio valdymo pulte.

3. Rankinis nustatymas: trumpai spauskite mygtuką FF +/- nuotolinio valdymo pulte, norėdami keisti dažnį kas 0.1MHz; paspauskite ir palaikykite ankstesnį / kitą mygtuką per 2 sekundes, norėdami nuskenuoti aukščiau arba žemiau dažnių juostoje prieinamą stotį ir automatiškai paleisti stotį.

USB/SD atkūrimas

Įrenginys turi USB/SD atkūrimo funkciją, kuri gali dekoduoti ir atkurti muziką iš USB/SD nešiojamos atminties. Prieš atkurdami kopijuokite MP3 / WMA muziką į nešiojamąją atmintį; įdėkite atmintį į įrenginį, nes USB/SD atkūrimo režimas galimas tik tada, kai atmintis yra tinkamai prijungta. Tada prietaisas automatiškai aptiks ir paleis MP3/WMA failus.

Kūrinio atkūrimas: trumpai paspauskite mygtuką ankstesnis/kitas, norėdami pasirinkti ankstesnę ar kitą kūrinį; Paspauskite ir laikykite nuspaužę perstūmimo mygtuką, kad pereitumėte į priekį esamą grojamą kūrinį, atleiskite mygtuką, kad toliau grotų kūrinys.

USB/SD režime Galimos šios funkcijos: atkūrimas / pauzė, nutildymas, pakartojimas, garso korektorius, aukštų/žemų tonų reguliacija/funkcija stop ir pan. Išsami informacija pateikta šios instrukcijoje skyriuje „Bendras valdymas“.

Pastabos:

- Nerekomenduojama USB atmintį prijungti su USB prailgintuvu, nes jis gali turėti neigiamą poveikį atkūrimo kokybei ir sukelti triukšmą ar pertraukti garšą, tai sukelia garso duomenų praradimas per failų perdavimą.
- Negalima garantuoti visų MP3/WMA formato kūrinii dekodavimo ir atkūrimo.
- Įrenginys palaiko atmintį, kurios maksimali talpa iki 32GB
- Atsižvelgiant į USB atminties tipą ir gamintoją automatiškas atkūrimas gali užtrukti šiek tiek ilgiau; Atminkite, kad tai nėra gedimas.

Bluetooth veikimas

Šis gaminys turi Bluetooth funkciją leidžiančią belaidžiu būdu leisti muziką iš kito Bluetooth įrenginio (pvz. išmanojo telefono, planšetinio kompiuterio ir tt).

- Norėdami įvesti Bluetooth režimą paspauskite šaltinio pasirinkimo mygtuką keletą kartų, o Bluetooth simbolis mirksės displėjuje, kas reiškia, kad įrenginys pasiruošęs poravimui.
- Įjunkite Bluetooth funkciją išoriniame įrenginyje ir ieškokite galimo įrenginio (žr. išorinio įrenginio naudojimo instrukciją), tada patikrinkite galimą Bluetooth įrenginį sąraše. Pasirinkite „BP PS11DB“ suporavimui, o Bluetooth simbolis švies pastoviai displėjuje po suporavimo.
- Pasirinkite ir paleiskite muziką iš išorinio Bluetooth įrenginio, o tada garšas bus atkuriamas naudojant šio įrenginio garsiakalbį.
- Norėdami pasirinkti paskutinį ar kitą kūrinį atkūrimo metu paspauskite mygtuką sekantis/ankstesnis . Bluetooth režime galite gauti grojimo / pauzės funkciją, nutildyti, koreguoti garšą, koreguoti aukštus ir žemus tonus. . Išsami informacija pateikta šios instrukcijoje skyriuje „Bendras valdymas“.

Pastabos:

- Dėl skirtingų dizainų ir prekių ženklų negalima garantuoti visų Bluetooth įrenginių prijungimo.
- Bluetooth darbinis atstumas yra 10 metrų be jokių kliūčių.
- Įrenginys gali suporuoti ir vienu metu dirbti su vienu Bluetooth įrenginiu.
- Gaunamas skambutis Bluetooth atkūrimo metu; Muzika sustos akimirksniui ir po skambučio vėl bus atkuriamas.
- Paspauskite nuotolinio valdymo pulso prijungimo mygtuką, kad uždarytumėte dabartinį ryšį su Bluetooth įrenginiu ir pradėtumėte poruoti su kitu prietaisu.

Veikimas AUX IN režime

Jei norite prisijungti ir paleisti muziką iš kito grotuvo ar įrenginio, vadovaukitės toliau pateiktomis instrukcijomis:

Naudojant audio kabelį (rinkinyje) reikia sujungti AUX IN lizdą įrenginio viršutiniame skydelyje su linijiniu lizdu arba grotuvo, tokio kaip MP3, CD, DVD, mikseris ir pan., ausinių lizdu. Po to reikia pasirinkti ir paleisti muziką išoriniame grotuve, o garšas bus atkuriamas naudojant šį įrenginį.

AUX-IN režime pagrindinį atkūrimo valdymą atlieka išorinis . Šiame prietaise galite valdyti garsumą, nutildyti garšą ir reguliuoti boso ir soprano lygį.

Linijinė išvestis: prijunkite LINE OUT išvestį viršutiniame skydelyje su garso kabeliu (pridedama), o kitą jungtį prijunkite prie išorinio aktyviojo garsiakalbio AUX IN lizdo. Pasirinkite ir atkurkite muziką šiame įrenginyje, o tada garšas bus atkuriamas tiek šio įrenginio garsiakalbiuose, tiek per išorinį aktyvųjį garsiakalbį.

Karaoke

Atidarykite belaidžio mikrofono baterijos dangtelį (rinkinyje), įdėkite 2 sausas AA dydžio baterijas (nėra rinkinyje) pagal išgravuotą teigiamą ir neigiamą poliškumo simbolį baterijos skyriuje ir uždarykite mikrofono baterijos dangtelį. Norėdami įjungti mikrofoną, nustatykite jungiklį į jungimo padėtį. Po kelių sekundžių garsiakalbis automatiškai susiporuoja su belaidžiu mikrofonu. Nustatykite atitinkamą mikrofono išėjimo garsumo lygį viršutinėje panelėje ir pradėkite dainuoti. Įrenginys taip pat turi dvigubą įvesties lizdą laidiniam mikrofonui, įdėkite laidinio mikrofono (nėra rinkinyje) kištuką į 6,5 mm lizdą, o po to norėdami dainuoti įjunkite mikroną.

Porady:

- a. Jei naudojate mikrofoną Karaoke funkcijai palaikyti, galite nustatyti atitinkamą mikrofono / aukštų tonų / bosų / aido išvesties garsą sukdami atitinkamą rankenėlę viršutinėje panelėje.
- b. Garsiakalbis gali skleisti garsų triukšmą ar iškraipymus, kai garsumo lygis, bosų ir sopranų nustatymai arba aido funkcija yra nustatyta per aukštame lygyje. Tai nėra gedimas. Sumažinkite aukščiau pateiktų nustatymų lygį, tada įjunkite arba išjunkite mikrofoną.
- c. Galite naudoti karaoke funkciją ir klausytis muzikos vienu metu; Jei norite padidinti karaokės garsumą ir sumažinti fono muzikos lygį, naudodami atitinkamas rankenėles galite reguliuoti mikrofono ir garsiakalbio garsumą.
- d. Išjunkite mikrofoną, kai jis yra šalia garsiakalbio, kitaip jis sukels daug triukšmo.
- e. Ant bevielio mikrofono korpuso yra nutildymo mygtukas, kuris gali nutildyti mikrofono garsą.

Problemų sprendimas

1. Garsiakalbis negali įsijungti.
 - a. Patikrinkite, ar maitinimo prijungimas yra teisinga.
2. Nėra garso.
 - a. Pabandykite sureguliuoti garso reguliatorių ir patikrinti atkūrimo šaltinį.
 - b. Jei problema išlieka, susisiekite su serviso centru.
3. Garso iškraipymas.
 - a. Pabandykite sureguliuoti ir klausyti muziką žemesniame lygyje.
 - b. Patikrinkite aukšto ar žemo tono reguliavimo būseną.
4. Triukšmas klausant FM stoties.
 - a. Perneškite prietaisą į kitą vietą.
 - b. Įjunkite pakartotinį nuskaitymą arba pakeiskite stotį į kitą.
 - c. Pabandyti išskleisti FM anteną ir sureguliuoti jos kryptį.

Specifikacija

Maitinimo šaltinis: AC 110-240V, 50/60 Hz.

Maitinimas iš akumulatoriaus: 18V/4.5AH

Dažnis FM: 87,5-108,0 MHz.

USB lizdas: 5V, 500mA, versija 2.0, palaikomos masinės atmintys iki 32 GB.

SD kortelė: palaikoma iki 32 GB laikmena.

USB / SD kortelės palaiko MP3, WMA muzikos formatus (visų tokių failų atkūrimas nėra garantuotas)

Bluetooth: V2.1 + EDR, darbo atstumas iki 10m

Išėjimo galia RMS: 2 x 45W.

Žemų ir aukštų tonų reguliacija: -9dB~+9dB.

Mikrofonas: jėgimas 2 x 6,5 mm, laidinio mikrofono prijungimas.

2 x bevielis mikrofonas (dažnis: 208,8 MHz, 215 MHz, maitinimo šaltinis: 2 x 1,5V, AA)

Energijos sąnaudos: 90W

Energijos sąnaudos pasiruošimo režimu: <0.5W.

(Aukščiau aprašyta specifikacija gali pasikeisti be įspėjimo.)

POMEMBNA POROČILA O VARNOSTI



Pozor:

Da bi zmanjšali nevarnost električnega udara, ne razstavljajte pokrova in zadnjega dela naprave. Znotraj naprave ni elementov, ki bi jih lahko uporabnik samostojno popravil. Vzdrževalna dela in popravila lahko opravljajo le usposobljeni serviserji.

Razlaga grafičnih simbolov:



Simbol strele s puščico na koncu, v enakostraničnem trikotniku opozarja uporabnika na neizolirano »nevarno napetost« v ohišju naprave. Napetost lahko doseže vrednost, ki predstavlja tveganje električnega udara.



Klicaj v enakostraničnem trikotniku opozarja uporabnika na pomembne informacije o uporabi in vzdrževanju naprave, ki jih vsebuje dokumentacija, priložena napravi.

Prosimo, da pred uporabo naprave preberete ta navodila, da bi se seznanili s funkcijami naprave in jo uporabljali skladno z namenom. S tem lahko zagotovite dolgotrajno, nemoteno in prijetno uporabo naprave.

Pomembni podatki

- Shranite ta navodila za uporabo in poročila o varnosti, ker jih boste lahko potrebovali v prihodnosti.
- Ne dovolite, da se na napravo razlije oziroma nanjo kaplja tekočina.
- Naprave ne uporabljajte v vlažnih prostorih, kot je na primer kopalnica.
- Naprave ne smete namestiti na naslednji način:
- Naprava ne sme biti izpostavljena neposrednemu vplivu sončnih žarkov oz. se ne sme nahajati v bližini grelcev.
- Naprava se ne sme postaviti na drugo stereofonsko napravo, ki oddaja toploto.
- Naprava ne sme ovirati prezračevanja oz. se ne sme nahajati v zaprašenem prostoru.
- Naprava ne sme biti izpostavljena stalnim vibracijam.
- Naprava se ne sme nahajati v prostorih z visoko vlažnostjo.
- Naprava se ne sme nahajati v bližini sveč ali odprtega ognja.
- Napravo uporabljajte le na način, opisan v teh navodilih.
- Pred prvim vklopom napajanja se je treba prepričati, da je napajalnik pravilno prikljopljeno.
- USB-spomin se priklopi neposredno oz. s pomočjo USB-podaljška dolžino do 25 cm.

Zaradi varnosti ni dovoljeno razstavljanje ohišja oz. pronicanje v notranjost naprave. Napravo lahko popravi le usposobljeno servisno osebje.

Ne razstavljajte in ne odpirajte ohišja naprave, kajti noter ni delov, ki bi jih lahko popravil uporabnik. Vzdrževalna dela in popravila lahko opravljajo le usposobljeni serviserji.

POROČILA O VARNOSTI

1. Preberite navodila za uporabo – pred uporabo naprave je treba prebrati vsa navodila za uporabo in poročila o varnosti.
2. Shranite navodila za uporabo – navodila za uporabo je treba shraniti za primer kasnejše uporabe.
3. Upošteвайте opozorila – ukrepajte skladno z vsemi opozorili, ki jih vidite na napravi ter z opozorili, omenjenimi v navodilih za uporabo.
4. Sledite navodilom – ukrepajte skladno z navodili za uporabo in navseti za uporabnika.
5. Namestitev – napravo postavite skladno s proizvajalčevimi navodili.
6. Viri napajanja – napravo napajajte izključno iz virov, ki odgovarjajo parametrom, navedenim na napajalnem kablu. Če niste prepričani, kakšno napajanje imate doma, obrnite se na prodajalca naprave oz. lokalnega dobavitelja električne energije.
7. Ozemljitev in polarizacija napajanja – napravo lahko uporabljate brez ozemljitve. Prepričajte se, da je vtič v celoti nameščen v omrežni vtičnici oz. podaljšku, tako da se stiki ne vidijo. Nekatere različice naprave so lahko opremljene s polariziranim vtičem za izmenični tok (en stik je debelejši). Takšen vtič lahko vklopite v omrežno vtičnico le na en način. To je zavarovalna funkcija. Če vtiča ne morete vklopiti v vtičnico, ga poskusite obrniti. Če se vtič še vedno ne ujema z vtičnico, naj vam jo električar zamenja. Zavarovanje iz polariziranega vtiča ne smete odstranjevati. Če uporabljate podaljšek ali napajalni kabel, ki nista priložena napravi, se prepričajte, da imata ustrezne vtiče in potrdilo o varnosti, ki se zahteva v določeni državi.
8. Zavarovanje napajalnega kabla – napajalni kabel je treba namestiti na način, ki omejuje nevarnost potepanja, pritiskanja oz. naključnega razrezanja. Bodite posebej pozorni na vtiče, omrežne vtičnice in mesta, kjer kabli izhajajo iz naprave.
9. Preobremenitev – preobremenitev zidnih vtičnic, podaljškov in električnih razdelilnikov ni dovoljena, saj lahko to privede do požara ali električnega udara.
10. Prezračevanje – napravo je treba pravilno prezračevati. Ne postavite je na posteljo, kavč ali podobne površine. Ne prekrivajte je s prti, robci, revijami idr.
11. Toplota – naprave ne postavite v bližino virov toplote, kot so grelci, sevalniki, peči in druge naprave (tudi ojačevalniki), ki oddajajo toploto. Na napravo ne postavite gorečih svečk in drugih virov odprtega ognja.
12. Voda in vlaga – da bi zmanjšali tveganje požara ali električnega udara, naprave ne izpostavite neposrednemu vplivu dežja, vode in vlage, na primer ne postavite je v savni ali kopalnici. Te naprave ne smete uporabljati v bližini vode, na primer zavrni kadi, umivalnika, korita oz. škafo, v vlažni kleti oz. v bližini bazena (in podobnih mest).
13. Predmeti in tekočine v napravi – skozi odprtine v napravi ne potiskajte nobenih predmetov, saj se tisti predmeti lahko dotaknejo točk z nevarno napetostjo in s komponentami, kar lahko privede do požara oz. električnega udara. Nikakor ne razlize nobenih tekočin na površino naprave. Na napravo ne smete postaviti predmetov, ki vsebujejo tekočine.

14. Čiščenje – preden začnete s čiščenjem, napravo vedno odklopite iz omrežne vtičnice. Prah, ki je okoli zvočnika, lahko obrišete s suho krpo. Če za čiščenje uporabljate aerosol, razpršilo usmerite na krpo, ne pa neposredno na napravo. Pazite, da se ne poškodujejo pogonske enote.
15. Dodatna oprema – ne uporabljajte pripomočkov, ki jih proizvajalec ne potrdi, ker lahko predstavljajo nevarnost.
16. Pripomočki – naprave ne postavite na nestabilen voziček, stojalo, stativo, konzolo ali mizo. Naprava se lahko prevrne in poškoduje, lahko tudi hudo poškoduje otroka ali odraslo osebo. Uporabite le vozičke, stojala, stative, konzole in mize, ki jih priporoča proizvajalec oz. ki se prodajajo skupaj z napravo. Namestitvev naprave mora potekati skladno z navodili proizvajalca, ob uporabi montažnega seta, ki ga priporoča proizvajalec.
17. Prestavljanje naprave – napravo postavite na voziček in zelo previdno prestavite. Nenadna ustavitve vozička, prevelika moč oz. neravne površine lahko pripeljejo do prevrnitve vozička z napravo.
18. Obdobje mirovanja naprave – napajalni kabel je treba odklopiti iz omrežne vtičnice v primeru neviht s strelami oz. ko naprave ne boste dlje časa uporabljali.
19. Servisiranje - naprave ne smete servisirati samostojno. Po odpiranju ohišja je uporabnik izpostavljen visoki napetosti in drugi nevarnosti. Vzdrževalna dela in popravila lahko opravljajo le usposobljeni serviserji.
20. Ko naprave ne uporabljate, odklopite njen vtič iz omrežne vtičnice. Ko je naprava priključena na vir napajanja, ni nikoli popolnoma izklopljena, vendar je v stanju pripravljenosti.
21. Nadomestni deli – ob zamenjavi delov je treba preveriti, ali je serviser uporabil nadomestne dele proizvajalca oz. ali nadomestni deli ustrezajo originalnim delom. Uporaba nepotrjenih delov lahko privede do požara, električnega udara oz. drugih nevarnih razmer.
22. Glavne varovalke – da bi napravo trajno zavarovali pred požarom, uporabite varovalke ustrezne vrste in parametrov. Parametri varovalk glede napetosti so označeni na napravi.
23. Ne povečajte glasnosti ob poslušanju tihega posnetka oz. ko ni vhodnega zvočnega signala. Z nenadnim povečanjem intenzitete signala lahko poškodujete zvočnik.
24. Edini način popolnega odklopa naprave iz vira napajanja je odklop napajalnega kabla iz omrežne vtičnice oz. iz naprave. Omrežna vtičnica oz. vhod za napajalni kabel morata biti vedno dostopna med uporabo naprave.
25. Napravo je treba postaviti v bližini omrežne vtičnice oz. podaljška, na tak način, da je vtičnica vedno dostopna.
26. Maksimalna temperatura v prostoru, kje je naprava, je 35 °C.
27. Nasveti glede električnih razelektritev – če delovanje naprave motijo električne razelektritve, je treba napravo izklopiti in ponovno vklopiti oz. jo prestaviti na drugo mesto.
28. Baterija
- Baterije ne smejo biti izpostavljene vplivu prekomerne toplote, npr. sončnih žarkov, ognja idr.
 - Pri odstranjevanju baterij je treba biti posebno pozoren na okoljevarstvena vprašanja.
 - Opozorilo glede uporabe baterije: da se prepreči puščanje baterije, ki lahko privede do poškodb telesa oz. naprave:
 - Ob namestitvi baterij pazite na polarizacijo (+ in -).
 - Skupaj ne smete uporabljati novih in starih baterij, standardnih in alkalnih idr.
 - Če naprave več časa ne uporabljate, odstranite baterije.

OPOZORILO

- Naprave ne smejo uporabljati osebe (vključno z otroki) z zmanjšano fizično, senzorično ali mentalno sposobnostjo ali brez izkušenj oz. znanja, razen če so pod nadzorom osebe, ki je odgovorna za njihovo varnost, oz. če so se poučile z navodili o varni uporabi naprave. Prisotnost odraslih je obvezna, če napravo uporabljajo otroci. S tem se lahko zagotovi varna uporaba naprave.
- Vključene naprave ne smete pustiti brez nadzora! Napravo izklopite, tudi če naprava le nekaj časa počiva.
 - Naprave ne smete uporabljati preko zunanje ure s časovnim sistemom oz. preko ločenega sistema z daljinskim upravljanjem.
 - Da bi se izognili nevarnosti v primeru poškodovanja napajalnega kabla, zamenjave lahko opravi le proizvajalec, pooblaščen servisno podjetje oz. ustrezno usposobljen strokovnjak.
 - Pred začetkom uporabe naprave je treba preveriti, ali napetost naprave ustreza napetosti lokalnega električnega omrežja.
 - Prezračevalni odprtini ne prekrivajte, npr. z revijami, prti, zavesami idr. Prepričajte se, da je nad napravo ohranjenega najmanj 20 cm prostega prostora, na straneh pa vsaj 5 cm.
 - Ne dovolite, da na napravo kaplja oz. da se nanjo razlije tekočina, na napravo ne postavite predmetov s tekočino, npr. vaz.
 - Da se prepreči nastajanje požara ali nevarnost električnega udara, napravo zaščitite pred vročino, vplivom dežja, vlage in praha.
 - Naprave ne postavite v bližini katerih koli virov vode, npr. umivalnikov, kadi, pralnih strojev oz. bazenov. Napravo postavite na ravno in stabilno podlago.
 - Naprave ne izpostavite močnemu magnetnemu polju.
 - Naprave ne postavite neposredno na ojačevalnik ali sprejemnik.
 - Naprave ne postavite na vlažno mesto, ker ima vlaga negativni vpliv na električne komponente.
 - Ko napravo prestavite iz hladnega prostora v toplej oz. vlažen prostor, lahko pride do kondenzacije vlage na leči znotraj predvajalnika. To lahko povzroči nepravilno delovanje naprave. Napravo pustite vklopljeno vsaj na eno uro, da vlaga izpari.
 - Naprave ne čistite s kemijskimi topili, ker se lahko na ta način poškoduje lakirana površina ohišja. Napravo obrišete s čisto, suho oz. rahlo navlaženo krpicco.
 - Med odklopom vtiča iz omrežne vtičnice je treba vedno vleči za vtič, nikoli za napajalni kabel.
 - Ko se vklopljena naprava uporablja v bližini vklopljenega TV-ja, lahko pride do motenj slike v obliki črt na zaslonu. To je odvisno od valov TV-prenosa. To ne pomeni, da naprava oz. TV ne delujeta pravilno. Če se vidijo črte, premaknite napravo stran od TV-ja.
 - Omrežni vtič se uporablja za odklop napajanja in zato mora biti vedno dostopen.
 - Da bi preprečili nevarnost izgube sluha, glasne glasbe ne poslušajte dlje časa.



POZOR**Izjava**

S tem Blaupunkt Competence Center 2N-Everpol Sp. z o.o. izjavlja, da je ta naprava v skladu z zahtevami in drugimi ustreznimi določili uredbe 2014/53/EU. Celotno izjavo o skladnosti si lahko ogledate na spletni strani www.blaupunkt.com v zavihku izdelka.

Odgovorni subjekt: 2N-Everpol Sp. Z o.o.

Puławska 403A, 02-801 Warszawa, Polska

Telefon: +48 22 331 99 59, e-naslov: info@everpol.pl



Naprava je izdelana iz visokokakovostnih materialov ter komponent, ki se lahko reciklirajo in ponovno uporabijo.



Če je na napravi oznaka prekrizan zabojnik za odpadke, to pomeni, da za izdelek veljajo določila evropske smernice 2012/19/EU. Seznaniti se je treba z lokalnimi zahtevami za zbiranje električnih ter elektronskih odpadkov. Ukrepiti je treba v skladu z lokalnimi predpisi. Izdelek se ne sme odstranjevati skupaj z navadnimi odpadki. Ustrezno odstranjevanje starega izdelka pomaga izključiti morebitne negativne učinke na okolje in človekovo zdravje.



Naprava je opremljena z baterijo, ki jo določa evropska smernica 2006/66/EC. Baterija se ne sme odstranjevati skupaj z gospodinjstskimi odpadki. Treba se je seznaniti z lokalnimi predpisi za ločeno zbiranje odpadnih baterij, ker le ustrezna odstranitev preprečuje morebitne negativne učinke za okolje in človekovo zdravje.

Podatki za varovanje okolja

Komplet vsebuje samo potrebne elemente. Prizadevali smo si, da bodo vsi trije elementi embalaže lahko odstranljivi: karton (škafka), polistirenska pena (zunanj zaščita) in polietilen (vreče, zaščitna plast). Naprava je izvedena iz materialov, ki se lahko reciklirajo, ter jih lahko po demontaži s strani strokovnega podjetja ponovno uporabljamo. Upoštevati je treba lokalne predpise za odstranjevanje embalaž, porabljenih baterij ter nepotrebnih naprav.

Za zapisovanje in predvajanje je treba obvezno pridobiti soglasje. Glej Zakon o avtorskih pravicah in pravicah izvajalcev/umetnikov.

Opomba glede ERP2 (naprav, povezanih z energijo)

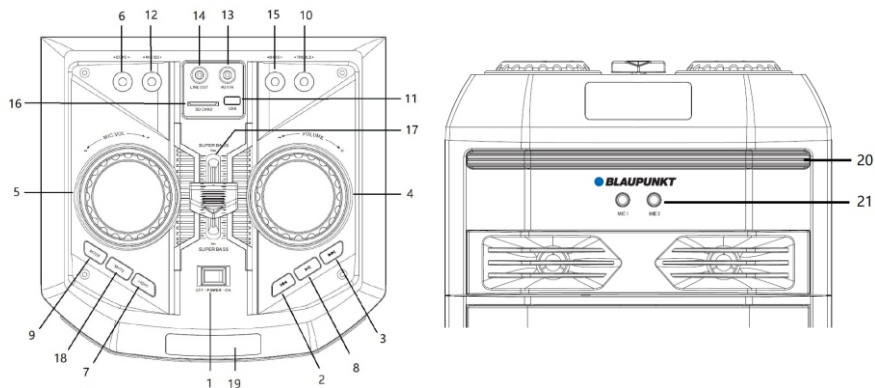
Ta naprava z ekonačrtom izpolnjuje zahteve 2. etape Uredbe Komisije (ES) št. 1275/2008 o izvajanju Uredbe 2009/125/ES glede porabe energije o vzpostavitvi okvira za določanje zahtev za primerno okoljsko zasnovane izdelke, povezane z energijo.



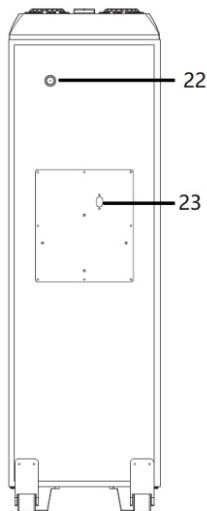
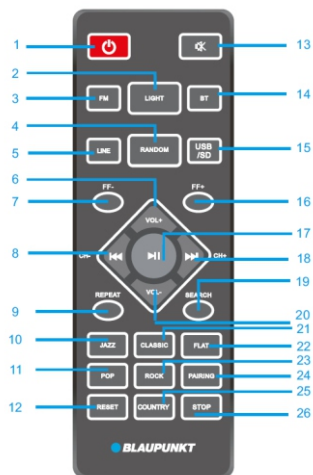
Podjetje Bluetooth SIG, Inc. USA je lastnik blagovnih znamk in logotipa Bluetooth®. Za uporabo teh znamk in logotipa se zahteva licenca. Druge znamke in trgovska imena so v lasti ustreznih lastnikov.

Zahvaljujemo vam se za nakup naše naprave. Pred začetkom uporabe je treba natančno prebrati ta navodila in se z njimi seznaniti. Shranite jih za prihodnjo uporabo.

Nadzorna plošča



- 1 – Stikalo za vklop/izklop; 2,3- Prejšnji/Naslednji; 4 – Upravljanje z glasnostjo; 5 – Nastavitev glasnosti mikroфона; 6 – Nastavitev odmeva mikroфона; 7 – Svetloba disco; 8 – Predvajanje/pavza; 9 – Tipka za izbiro vira; 10, 15 – Nastavitve nizkih in visokih tonov; 11 – Vtičnica USB; 12 – Nastavitev visokih in nizkih tonov mikroфона; 13- Izhod AUX IN; 14- Izhod avdiosignala LINE OUT; 16- Vtičnica za SD-kartice; 17- Funkcija Super bass; 18- Utišanje; 19- Prikazovalnik; 20- Osvetlitev Disco; 21- Vtičnica mikroфона 1 I 2; 22- Vtičnica za FM-anteno;



Daljinski upravljalnik

- 1 – Tipka napajanja; 2 – Tipka za vklop/izklop osvetlitve disco; 3, 5, 14, 15 – Tipka Za izbiro vira zvoka FM/LINE IN/Bluetooth/USB/SD 4 – Tipka za vklop/izklop funkcije naključnega predvajanja 6, 20 – Glasnost +/-; 7, 16 – Tipki za hitro premikanje FF +/-; 8, 18 – Prejšnji in naslednji, tipka kanala +/-; 9 – Tipka za ponavljanje (ponovi en posnetek/ponovi vse/izklop funkcije); 10, 11, 21, 22, 23, 25 – Tipke načina EQ (Jazz/POP/Classic/Flat/Rock/Country) 12 – Tipka reset; 13 – Tipka za utišanje; 17 – Predvajanje/pavza; 19 – Tipka za iskanje; 24 – Tipka za povezovanje; 26 – Tipka Stop

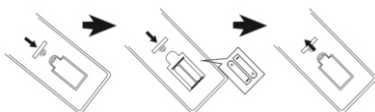
Priklon napajanja: Prosimo, preverite, ali vir napajanja ustreza specifikaciji nazivnega napajanja na zadnjem panelu naprave. Če vir napajanja ni ustrezen, se je treba obrniti na prodajalca oz. servisni center. Vtknite ženski vtič napajalnega kabla v vtičnico v napravi, nato pa priključite vtič napajalnega kabla na stensko vtičnico, da bi pridobili napajanje.



Polnjenje akumulatorja: Naprava je opremljena z vgrajenim akumulatorjem, ki omogoča predvajanje glasbe brez napajanja z izmeničnim tokom. Med polnjenjem akumulatorja se indikator polnjenja, ki se nahaja v zgornjem levem kotu zaslona, sveti rdeče. Barva indikatorja polnjenja se spremeni v zeleno, ko se naprava napolni. Akumulator se polni tudi po izklopu naprave, ko je na voljo vir napajanja z izmeničnim tokom. Čas polnjenja akumulatorja je približno 6–8 ur, čas predvajanja pa 3–4 ure, odvisno od glasnosti predvajanja. Ko je raven akumulatorja nizka, se naprava samodejno izklopi; za nadaljnjo uporabo je treba napolniti akumulator. V desnem spodnjem kotu zaslona se nahaja oznaka baterije; priporočamo, da polnjenje začnete, ko se vidi le en del te oznake.

Namestitev baterije v upravljalniku za daljinsko upravljanje

Odpreti je treba pokrov komore za baterije in namestiti dve bateriji AAA (v setu). Prepričati se je treba, da sta bateriji nameščeni skladno z oznakami polarnosti, ki se nahajajo v komori. Nato je treba zapreti pokrov baterije.



Opombe

- Najboljša delovna razdalja upravljalnika je 5 metrov, če ni nobenih ovir. Med uporabo je treba senzor upravljalnika usmeriti v srednji del naprave.
- Sporabo baterije se bo občutljivost upravljalnika postopoma manjšala. Porabljene baterije je treba zamenjati z novimi.
- Odstranite akumulator, če naprave dlje časa ne uporabljate.
- Baterije je treba odstranjevati na način, ki je varen za okolje. Seznaniti se je treba z zahtevami lokalne uprave.

Splošna uporaba

- Vklop/izklop:** Preklopite tipko za napajanje, ki se nahaja na zgornjem panelu, da bi vklopili ali izklopili zvočnik. Pritisnite tipko za napajanje na daljinskem upravljalniku, da bi prešli v stanje pripravljenosti oziroma izklopili napravo. Priporočamo, da napravo popolnoma izklopite, če je ne boste več časa uporabljali.
- Izbira vira predvajanja:** Pritisnite tipko za izbiro vira na zgornjem panelu oz. pritisnite FM, BT, LINE, tipko USB/SD na upravljalniku za preklon med viri predvajanja FM/Bluetooth/Line in/USB/SD.
- Nastavitev glasnosti:** Obrnite gumb za upravljanje z glasnostjo na zgornjem panelu oz. pritisnite tipko VOL +/- na upravljalniku, da bi povečali oz. zmanjšali raven glasnosti. Tipka VOL +/- na daljinskem upravljalniku je v glavnem namenjena omejenemu nastavljanju ravni glasnosti. Maksimalno glasnost lahko nastavite z gumbom za izbiro glasnosti. Ob izgubi daljinskega upravljalnika, če je raven glasnosti prenizka, lahko izklopite in ponovno vklopite napravo, saj se s tem nastavitev glasnosti ponastavijo.
- Nastavitev nizkih in visokih tonov:** Obrnite gumb za visoke in nizke tone na zgornjem panelu, da bi nastavili izhodni zvok.
- Utišanje:** Pritisk na tipko MUTE na zgornjem panelu oz na upravljalniku povzroča utišanje zvoka. Ponovni pritisk na to tipko vzpostavi prej določeno raven zvoka.
- Nastavitev korektorja:** Pritisk na ustrezno tipko upravljalnika omogoča spremembo načina korektorja in izbiranje med načini Jazz/Classic/Flat/POP/ROCK /Country (na voljo le v načinu USB/SD)
- Predvajanje/ustavitev:** Pritisnite tipko za predvajanje/pavzo, da bi ustavili oz. vzpostavili predvajanje glasbe v načinu Bluetooth/USB.
- Ponavlanje in naključno predvajanje:** Pritisnite tipko za ponavljanje, da bi vklopili ustrezen način ponavljanja glasbe. Pritisnite tipko na zaključno predvajanje, da bi vklopili/izklopili funkcijo naključnega predvajanja v načinu USB/SD.
- Osvetlitev:** Nekolikokrat pritisnite tipko za osvetlitev, da bi izbrali med osmimi načini osvetlitve oz. da bi izklopili osvetlitev.
- Reset:** pritisnite tipko reset na upravljalniku, da bi povrnili tovarniške nastavitve.
- Super bass:** Pritisnite tipko funkcije super bass, da bi okrepili zvok nizke frekvence.

Uporaba radia FM

Pred začetkom poslušanja radia FM je treba napravo premakniti v bližino okna, da bi se s tem zagotovilo prejetje boljše signala. Namestite priloženo žično anteno FM v vtičnici antene FM, ki se nahaja na zadnjem panelu naprave, razvijte anteno, da bi dosegli boljše kakovosti sprejemanja.

1. Samodejno skeniranje in programiranje postaj (samodejni način): Kratki pritisk na tipko predvajanja/pavze na zgornjem panelu oz. pritisk na tipko za iskanje na upravljalniku vklopi način samodejnega skeniranja in shranjevanja razpoložljivih radijskih postaj. Po končanem skeniranju naprava samodejno začne predvajanje prve programirane postaje. (Maksimalno število programiranih postaj: 40.)

2. Izbira radijskih postaj: V načinu radia pritisnite tipko naslednji/prejšnji na zgornjem panelu oz. na upravljalniku, da bi izbrali in začeli poslušanje prejšnje ali naslednje programirane postaje.

3. Ročno uglaševanje: kratko pritisnite tipko FF +/- na daljinskem upravljalniku, da bi nastavili frekvenco postaj za vsakih 0,1 MHz; pritisnite in pridržite tipko Prejšnji/Naslednji oz. FF +/- za 2 sekundi, da bi skenirali razpoložljivo postajo gor ali dol po valu in samodejno predvajali postajo.

Predvajanje USB/SD

Naprava je opremljena s funkcijo predvajanja USB/SD, s katero lahko dekodira in predvaja glasbo iz prenosnih spominov USB/SD. Pred začetkom predvajanja kopirajte glasbo MP 3/WMA v prenosni spomin. Namestite spomin v napravo, ki je način predvajanja USB/SD na voljo le takrat, ko je spomin pravilno priključen. Nato naprava samodejno prepozna in začne predvajati datoteke MP3/WMA.

Izbira posnetka: Kratko pritisnite tipko prejšnji/naslednji, da bi izbrali prejšnji ali naslednji posnetek. Pritisnite in pridržite tipko za premikanje, da bi posnetek premikali naprej, sprostite tipko, če želite nadaljevati predvajanje posnetka.

V načinu USB/SD so na voljo naslednje funkcije: predvajanje avza, utišanje, ponavljanje, korektor zvoka, nastavitve visokih/nizkih tonov/funkcija stop idr. Podrobnosti si lahko preberete v točki »Splošna uporaba«.

Opombe

- Priključitev spomina USB s pomočjo USB-podaljškov ni priporočen, ker lahko to negativno vpliva na kakovost predvajanja in povzroča hrup oz. motnje zvoka, če se med pošiljanjem datotek izgubijo kakšne zvočne datoteke.
- Ni mogoče zagotoviti dekodiranja in predvajanja vseh datotek v obliki MP3/WMA.
- Naprava podpira spomine z maksimalnim volumnom do 32 GB.
- Samodejno predvajanje nekaterih spominov USB zaradi njihovega tipa ali proizvajalca lahko traja več časa; to ni okvara.

Delovanje Bluetooth

Ta izdelek je opremljen s funkcijo Bluetooth, ki omogoči brezžično predvajanje glasbe iz druge naprave Bluetooth (kot je pametni telefon, dlančnik idr.).

- Nekolikokrat pritisnite tipka za izbiro vira , da bi šli na način Bluetooth, oznaka za Bluetooth bo utripala na zaslonu, kar pomeni, da je naprava pripravljena za povezovanje.
- Vklopite funkcijo Bluetooth na zunanji napravi in poiščite razpoložljive naprave (seznanite se z navodili za uporabo zunanje naprave), nato preverite seznam razpoložljivih naprav Bluetooth. Označite "BP PS11DB" za povezovanje, oznaka za Bluetooth bo trajno svetila na zaslonu po uspešno končanem povezovanju.
- Izberite in začnite predvajanje glasbe na zunanji napravi Bluetooth. Zvočnik te naprave samodejno začne predvajati zvok.
- Pritisnite tipko nazaj/naprej, da bi lahko med predvajanjem izbrali prejšnji in naslednji posnetek.
- V načinu Bluetooth lahko uporabljate funkcije predvajanja/pavze, utišanja, korekcije zvoka, korekcije visokih in nizkih tonov. Podrobnosti si lahko preberete v točki »Splošna uporaba«.

Opombe

- Ni mogoče zagotoviti pravilne povezave z vsemi napravami Bluetooth zaradi različnih projektorjev in znamk.
- Delovna razdalja Bluetooth je 10 metrov, če ni nobenih ovir.
- Naprava je lahko povezana in lahko deluje z eno napravo Bluetooth v istem času.
- Ob prihajajoči povezavi med predvajanjem Bluetooth se glasba za trenutke ustavi in nato vzpostavi po končanem telefonskem pogovoru.
- Pritisnite tipko za povezovanje na upravljalniku, da bi zaprli trenutno povezavo z napravo Bluetooth in začeli povezovanje z drugo napravo.

Delovanje v načinu AUX IN

Za vzpostavitev povezave in predvajanje glasbe iz drugega predvajalnika ali naprave je treba ukrepati po spodnjih navodilih. S pomočjo zvočnega kabla (v setu) je treba povezati vtičnico AUX IN na zgornjem panelu naprave z linijskim izhodom oz. vtičnico za slušalke v predvajalniku, kot je na primer MP 3-, CD-, DVD-predvajalnik oz. mikser idr. Nato je treba izbrati in začeti predvajanje na zunanjem predvajalniku. Ta naprava samodejno začne predvajati zvok.

V načinu AUX IN ima nadzor nad predvajanjem zunanji predvajalnik. Ta naprava lahko upravlja z glasnostjo, utiša zvok ter določa raven basov in sopranov.

Linijski izhod: S pomočjo avdiokabla (priložen) povežite izhod LINE OUT na zgornjem panelu in vtičnico AUX IN na zunanjem aktivnem zvočniku. Izberite in predvajajte glasbo na svoji napravi; zvok boste slišali iz zvočnikov te naprave in zvočnikov zunanjega aktivnega zvočnika.

Karaoke

Odpriete pokrov komore za bateriji brezžičnega mikrofona (v setu), v komori namestite 2 suhi bateriji velikosti AA (nista priloženi) skladno z oznakami polarnosti, nato zaprite pokrov komore za bateriji. Stikalo postavite v položaj, ki pomeni vklop mikrofona. Čez nekaj sekund se zvočnik samodejno poveže z brezžičnim mikrofonom. Določite ustrezen raven izhodne glasnosti mikrofona na zgornjem panelu, nato začnite peti. Naprava je tudi opremljena z dvojno vhodno vtičnico za žični mikrofoni. Namestite vtič žičnega mikrofona (ni priložen setu) v vtičnici 6,5 mm, nato vklopite mikrofoni in pojte.

Porady:

- a) Če za funkcijo karaoke uporabljate mikrofona, lahko nastavite ustrezno izhodno glasnost mikrofona/visokih tonov/basov/odmeva, tako da obrnete gumb na zgornjem panelu.
- b) Zvočnik lahko oddaja več hrupa oz. kvari zvok, ko so raven glasnosti, nastavitve basov in sopranov oz. funkcija odmeva neustrezno nastavljene. To ni okvara. Treba je zmanjšati raven teh nastavitvev in nato vklopiti oz. izklopiti mikrofona.
- c) Lahko uporabljate funkcijo karaoke in poslušate glasbo v istem času. Če potrebujete povečano glasnost karaoke in zmanjšano glasnost glasbe v ozadju, lahko s pomočjo ustreznih gumbov posamezno določite glasnost mikrofona in raven glasnosti.
- d) Mikrofona je treba izklopiti, preden se ga odloži zraven zvočnika; v nasprotnem primeru bo takšno ravnanje povzročilo velik hrup.
- e) Na ohišju brezžičnega mikrofona se nahaja stikalo za utišanje, s katerim se lahko utiša zvok mikrofona.

Reševanje težav

1. Ni mogoče izklopiti zvočnika.

- a) Preverite, ali je napajanje pravilno priključeno.

2. Ni zvoka.

- a) Prilagoditi je treba gumb za glasnost in preveriti vir predvajanja.
- b) Če težava ni odpravljena, se je treba obrniti na servisni center.

3. Pokvarjen zvok.

- a) Prilagoditi in predvajati je treba glasbo z manjšo glasnostjo.
- b) Preveriti nastavev visokih in nizkih tonov.

4. Hrup med poslušanjem FM-postaj.

- a) Premakniti napravo na drugo mesto in s tem zagotoviti zanesljivejše prejetje postaj.
- b) Ponovno vklopiti skeniranje oz. spremeniti postajo.
- c. Poskusite razviti FM-anteno in prilagoditi njeno smer.

Specifikacija

Vir napajanja: AC 110–240 V, 50/60 Hz.

Napajanje z baterijo: 18 V/4,5 AH

FM-frekvenca: 87,5–108,0 MHz.

Vmesnik USB: 5 V, 500 mA, različica 2.0, podpiran masovni pomnilnik do 32 GB.

SD-kartica: podpirani nosilci do 32 GB.

USB-/SD-kartice podpirajo glasbene oblike: MP3, WMA (predvajanje vseh tovrstnih datotek ni zajamčeno)

Bluetooth: V2.1 + EDR, delovna razdalja do 10 m

Izhodna moč RMS: 2 x 45 W.

Nastavev nizkih in visokih tonov: –9 dB ~ +9 dB.

Mikrofona: vhod 2 x 6,5 mm, priključ žičnega mikrofona:

2 x brezžični mikrofona (frekvenca: 208,8 MHz, 215 MHz, vir napajanja: 2 x 1,5 V, AA)

Poraba moči: 90 W

Poraba moči v stanju pripravljenosti: < 0,5 W.

(Ta specifikacija se lahko spreminja brez predhodne najave.)

Competence Center

2N-Everpol Sp. z o.o.
ul. Puławska 403A
02-801 Warsaw, Poland
phone: +48 22 331 99 59
e-mail: info@everpol.pl
www.blaupunkt.com

W przypadku pytań lub problemów
prosimy o kontakt z naszym serwisem.
In case of questions or problems
please contact our service.
Tel. 00 48 22 331 99 53
E-mail: info@blaupunkt-audio.pl

Wszelkie prawa zastrzeżone. Wszystkie nazwy marek są zarejestrowanymi
znakami towarowymi należącymi do odpowiednich podmiotów.
Dane i parametry techniczne mogą ulec zmianie bez wcześniejszego uprzedzenia.

All rights reserved. All brand names are registered trademarks of their
respective owners. Specifications are subject to change without prior notice.

A dark blue horizontal bar containing the slogan "Enjoy it." in a white, italicized, sans-serif font.

Enjoy it.