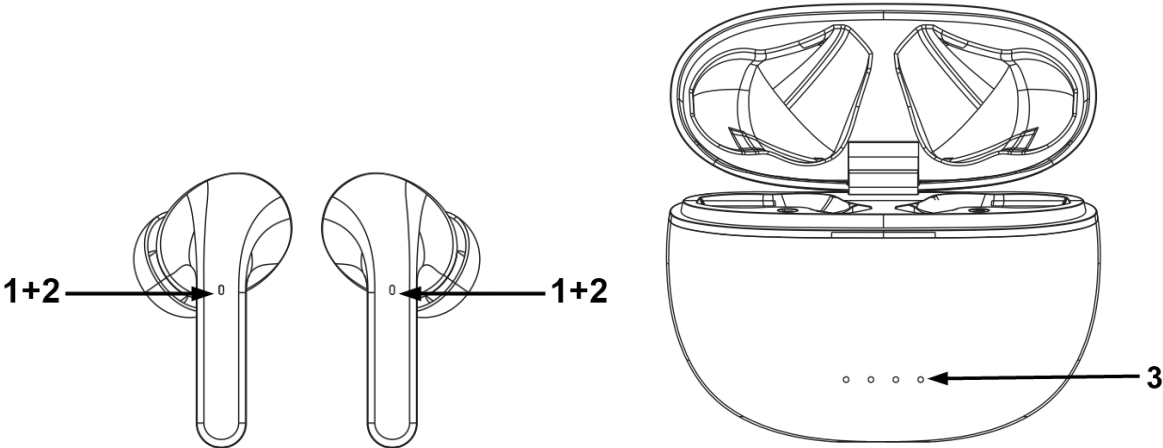


**Forever TWE-210**  
**User manual**

21 (EN, PL, BG, CZ, DE, DK, EE, ES, FR, GR, HU, IT, LT, LV,NL RU, RO, SK, SW,SI,SK)



# EN

Thank you for purchasing a product by Forever. Before use, please refer to the User's manual, and save it for future reference. Do not disassemble the device on your own – all repairs should be done by a service technician. Use only original parts and accessories provided by the manufacturer. We hope that the product by Forever fulfills your expectations.

## **Description:**

1. Multiple function touch control- music/calls control/ mode ANC
2. LED indicator
3. Charging case battery level indicator

## **Charging:**

Connect the device with the USB-C charging cable included in the set. Then connect the USB cable to a power source. The battery level indicator on the charging case will flash during charging. When the battery is fully charged, all the LEDs will be on.

## **Turning on/off:**

The earphones will turn on automatically when you remove them from the charging case. When you put the earphones in the charging case, they will turn off automatically. When the earphones are not connected, they will turn off automatically after 5 minutes. To turn off the paired earphones, press and hold the touch area for 5 seconds.

## **Device pairing:**

1. Take out the two earphones from the charging box, the two ears are automatically turned on and interconnected.

**WARNING:** You have about 3 minutes to connect the earphones with your mobile phone, otherwise the earphones will exit the pairing mode. Put the earphones back in the charging box and pull them out again to re-enter the pairing mode.

2. Turn on the Bluetooth function and select TWE-210 from the list. After successfully pairing you will hear "Connected".
3. If the earphones are not synchronized with each other or they disconnect during use:
  - Turn off both earphones and turn back on.

- If it still not working press and hold touch button in both earphones for 3 seconds. This will force the earphones to turn off and on again and synchronization with each other.

### **Play/Pause music.**

When listening to music.

Tap left/right earphones once to play or pause the music.

### **Previous /Next Song**

When listening to music.

Quick double tap left earphones to go to previous song.

Quick double tap right earphones to go to next song.

### **ANC Mode**

When taking the earphones out of the charging case, it is regular Bluetooth mode.

Long press right earphones for 2 seconds to enter **Transparent mode**;

Long press right earphones for 2 seconds again to enter **Noise reduction mode**;

Long press right earphones for 2 seconds again to enter **regular Bluetooth mode**.

### **GAME Mode**

When taking the earphones out of the charging case, it is regular Normal mode.

Long press left earphones for 2 seconds to enter **game mode**;

Long press left earphones for 2 seconds to enter **music mode**;

### **Answer/Hang up**

When there is an incoming call.

Tap left or right earphones once to answer the call.

Tap left or right earphones again to end the call.

# Obsah je uzamčen

**Dokončete, prosím, proces objednávky.**

**Následně budete mít přístup k celému dokumentu.**



**Proč je dokument uzamčen? Nahněvat Vás rozhodně nechceme. Jsou k tomu dva hlavní důvody:**

- 1) Vytvořit a udržovat obsáhlou databázi návodů stojí nejen spoustu úsilí a času, ale i finanční prostředky. Dělali byste to Vy zadarmo? Ne\*. Zakoupením této služby obdržíte úplný návod a podpoříte provoz a rozvoj našich stránek. Třeba se Vám to bude ještě někdy hodit.

*\*) Možná zpočátku ano. Ale vězte, že dotovat to dlouhodobě nelze. A rozhodně na tom nezbohatneme.*

- 2) Pak jsou tady „roboti“, kteří se přiživují na naší práci a „vysávají“ výsledky našeho úsilí pro svůj prospěch. Tímto krokem se jim to snažíme překazit.

A pokud nemáte zájem, respektujeme to. Urgujte svého prodejce. A když neuspějete, rádi Vás uvidíme!