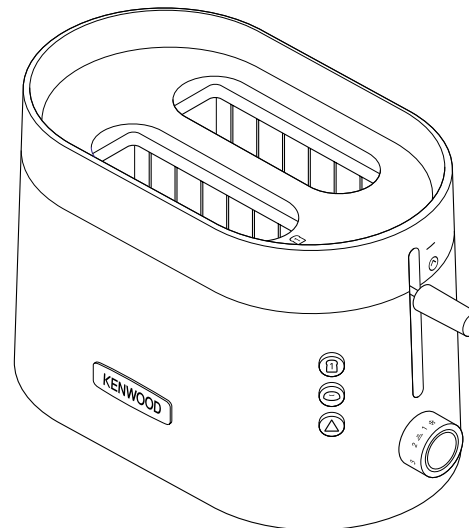
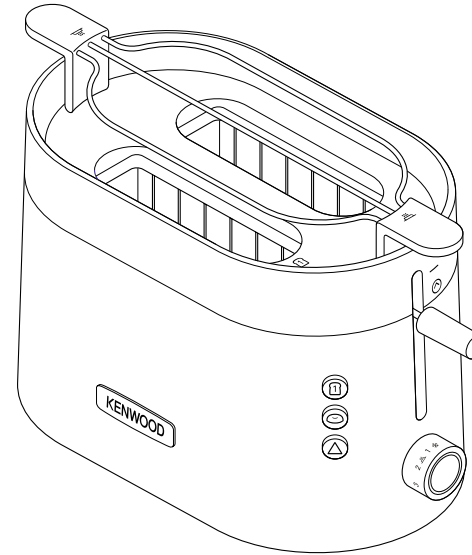


# KENWOOD

## TYPE TCM400

instructions  
istruzioni  
instrucciones  
Bedienungsanleitungen  
gebruiksaanwijzing



English	2 - 7
Nederlands	8 - 14
Français	15 - 21
Deutsch	22 - 28
Italiano	29 - 35
Português	36 - 42
Español	43 - 49
Dansk	50 - 55
Svenska	56 - 61
Norsk	62 - 67
Suomi	68 - 73
Türkçe	74 - 80
Česky	81 - 86
Magyar	87 - 93
Polski	94 - 100
Ελληνικά	101 - 108
Slovenčina	109 - 115
Українська	116 - 122
عربي	١٢٨ - ١٣٣



HEAD OFFICE: Kenwood Limited, 1-3 Kenwood Business Park, New Lane, Havant, Hampshire PO9 2NH

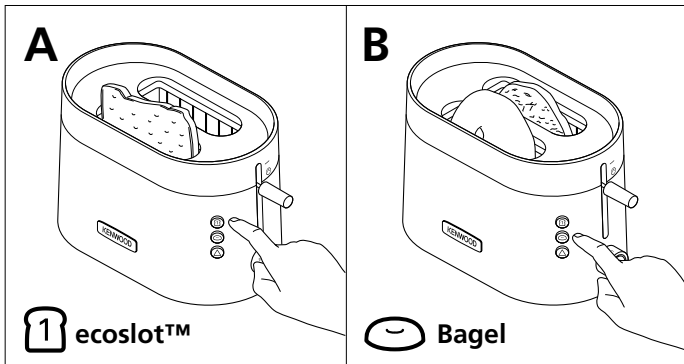
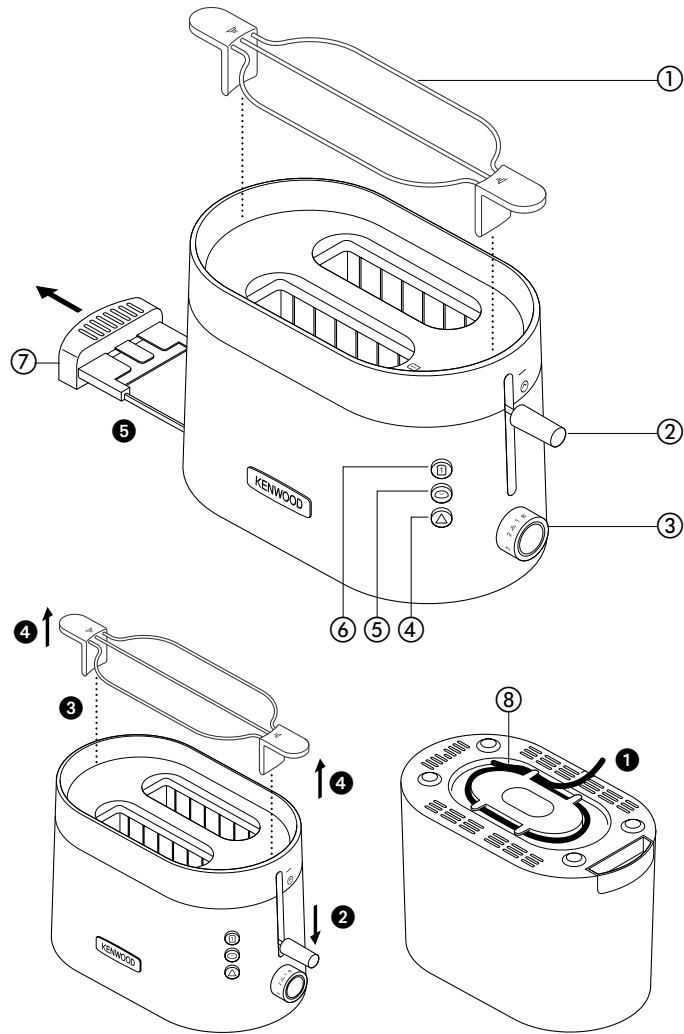
[kenwoodworld.com](http://kenwoodworld.com)

**KENWOOD**  
CREATE MORE

130535/1



# English



## safety

- Read these instructions carefully and retain for future reference.
- Remove all packaging and any labels.
- Burnt food can catch fire, so:
  - never leave your toaster on unattended;
  - keep your toaster away from anything (e.g. curtains) that could catch fire;
  - set the browning control lower for thin or dry bread;
  - never warm food with a topping or filling (e.g. pizza): if it drips into the toaster, it could catch fire.
  - Clean the crumb tray regularly: crumbs can smoke or burn.
- To avoid electric shocks, **never**:
  - let the toaster, cord or plug get wet; or
  - put **your hand** or anything metal, e.g. a knife or foil, into the toaster.
- Always unplug the toaster when not in use, before cleaning or attempting to clear jammed bread.
- Never cover your toaster with a plate or anything else - it could overheat and catch fire.
- Never let the cord hang down where a child could grab it.
- We recommend that you do not use your toaster directly under wall cupboards.
- Do not move the toaster whilst it is in operation.
- External metal surfaces are liable to get hot especially the top area.

- Never use an unauthorised attachment or accessory.
- We do not recommend using the toaster for non bread items. For non bread items that are specifically recommended for use in a toaster follow the manufacturer's guidelines and cooking instructions. Remove loose crumbs and clean the crumb tray before and after use.
- Never use a damaged toaster. Get it checked or repaired: see 'Service & Customer Care'.
- This appliance is not intended to be operated by means of an external timer or separate remote-control system.
- Misuse of your appliance can result in injury.
- Children from 8 years and above can use, clean and perform user maintenance on this appliance in accordance with the User Instructions provided they are supervised by a person responsible for their safety and have been given instruction concerning the use of the appliance and are aware of the hazards.
- Persons with reduced physical, sensory or mental capabilities or lack of knowledge using this appliance must have been given supervision or instruction on its safe use and are aware of the hazards.
- Children must not play with the appliance and both appliance and cord must be out of reach of children less than 8 years.
- Wipe the outside of the toaster with a damp cloth, then dry. Do not use abrasives.

# Obsah je uzamčen

**Dokončete, prosím, proces objednávky.**

**Následně budete mít přístup k celému dokumentu.**



**Proč je dokument uzamčen? Nahněvat Vás rozhodně nechceme. Jsou k tomu dva hlavní důvody:**

- 1) Vytvořit a udržovat obsáhlou databázi návodů stojí nejen spoustu úsilí a času, ale i finanční prostředky. Dělali byste to Vy zadarmo? Ne\*. Zakoupením této služby obdržíte úplný návod a podpoříte provoz a rozvoj našich stránek. Třeba se Vám to bude ještě někdy hodit.

*\*) Možná zpočátku ano. Ale vězte, že dotovat to dlouhodobě nelze. A rozhodně na tom nezbohatneme.*

- 2) Pak jsou tady „roboti“, kteří se přiživují na naší práci a „vysávají“ výsledky našeho úsilí pro svůj prospěch. Tímto krokem se jim to snažíme překazit.

A pokud nemáte zájem, respektujeme to. Urgujte svého prodejce. A když neuspějete, rádi Vás uvidíme!