



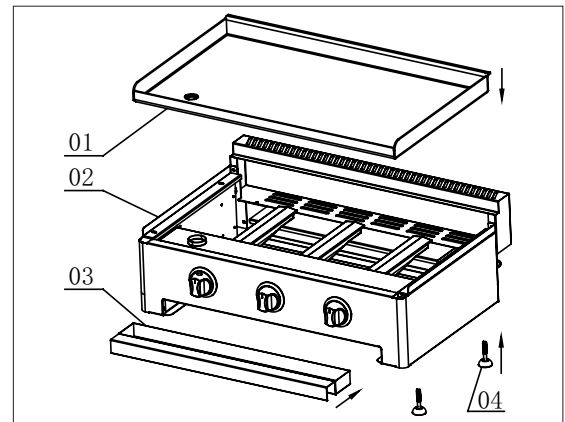
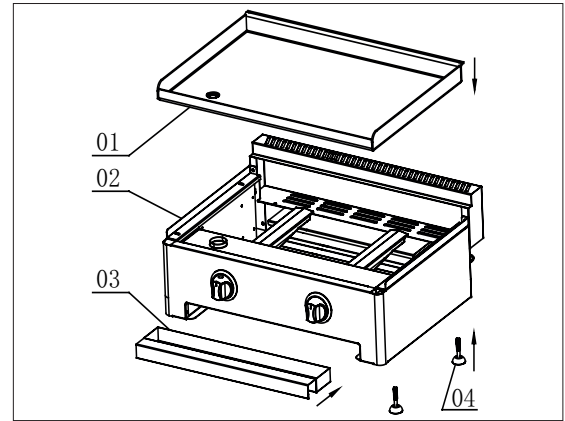
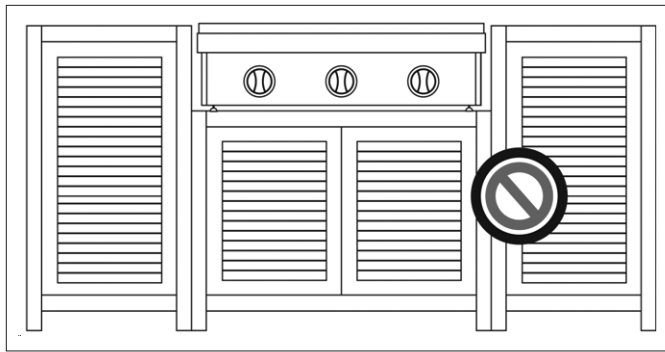
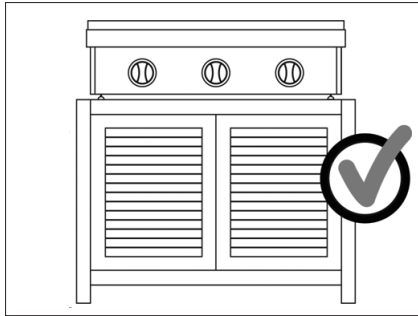
BRIXTON®

GAS BAKING PLATE



- EN Instruction manual
- NL Gebruiksaanwijzing
- FR Mode d'emploi
- DE Bedienungsanleitung
- ES Manual de usuario
- PT Manual de utilizador
- PL Instrukcja obsługi
- IT Manuale utente
- SV Bruksanvisning
- CS Návod na použití
- SK Návod na použitie

BQ-6394
BQ-6395



SAFETY INSTRUCTIONS

DANGER:

- When smelling gas:
 1. Shut off the gas supply to the barbecue.
 2. Extinguish any flames.
 3. If the gas smell doesn't disappear, keep your distance from the barbecue and contact your gas supplier or fire department straight away.
- Gas leakage can cause fire or explosions, which can lead to serious or fatal injuries or damage of properties.
- An incorrect installation can be dangerous, that's why all instructions in this manual must be strictly followed.
- Not paying attention to the dangers, warnings and precautions in this user manual can lead to serious or fatal injuries, or to fire or explosions causing damage to property.
- Changing the appliance can be extremely dangerous.

WARNINGS:

- Never store or use gasoline or other flammable liquids near this or other barbecues.
- Check the barbecue first for leakages according to the instructions in this manual before starting to use it. Perform these checks also when the barbecue was mounted at the dealer.
- Do not try to ignite this barbecue without first having read chapter "barbecue ignition instructions" in this manual.
- Keep this user manual for future reference.
- Follow the instructions for connecting the gas pressure regulator to your barbecue.

- Never store a backup gas cylinder or disconnected cylinder underneath or near this barbecue.
- Never put barbecue covers or other inflammable materials on top or in the storage space of the barbecue.
- After a long period in which the Brixton barbecue has not been used, it must be checked for gas leaks and obstructions of the burners. Refer to the instructions in this manual for the correct procedure.
- Never check for gas leaks using a lighter.
- Never use your Brixton barbecue in case of gas leaks at the gas connections points.
- Keep inflammable materials at a minimum distance of 100 cm from the sides or rear of the barbecue. Don't store these inflammable materials in the storage space of the barbecue!
- Your Brixton barbecue may not be used by children. The accessible components of the barbecue can become very hot. Keep young children away from the barbecue when using your Brixton barbecue.
- Be careful when using your Brixton barbecue. During use or cleaning the barbecue can still be hot, so always stay near the barbecue and never move it while in use.
- If one of the burners turns off while preparing a dish, close all gas valves. Wait five minutes before you re-ignite the burners, following all ignition instructions when doing so.
- When preparing food, never lean over the barbecue or put your hands or fingers on the front edge of the gas cylinder.
- When cleaning the valves or burners, never enlarge the openings or connections.
- Keep your distance from ignition sources when replacing the gas cylinder.
- A dented or rusty gas cylinder can be dangerous. Have it checked by your gas supplier. Never use a gas cylinder with a damaged valve.

Obsah je uzamčen

Dokončete, prosím, proces objednávky.

Následně budete mít přístup k celému dokumentu.



Proč je dokument uzamčen? Nahněvat Vás rozhodně nechceme. Jsou k tomu dva hlavní důvody:

1) Vytvořit a udržovat obsáhlou databázi návodů stojí nejen spoustu úsilí a času, ale i finanční prostředky. Dělali byste to Vy zadarmo? Ne*. Zakoupením této služby obdržíte úplný návod a podpoříte provoz a rozvoj našich stránek. Třeba se Vám to bude ještě někdy hodit.

**) Možná zpočátku ano. Ale vězte, že dotovat to dlouhodobě nelze. A rozhodně na tom nezbohatneme.*

2) Pak jsou tady „roboti“, kteří se přiživují na naší práci a „vysávají“ výsledky našeho úsilí pro svůj prospěch. Tímto krokem se jim to snažíme překazit.

A pokud nemáte zájem, respektujeme to. Urgujte svého prodejce. A když neuspějete, rádi Vás uvidíme!