



AURUM **A10S**

USER INSTRUCTIONS
BEDIENUNGSANLEITUNG
NOTICE D'UTILISATION
MANUAL DE INSTRUCCIONES

quadral 
AURUM

Contents

Safety instructions	3-4
Controls fitted on the front of the unit	5
Connections on the back of the unit	6
Remote control (OPTIONAL)	7
Streaming	8-10
Ambient conditions	11
Installing	12
Specifications	13

Inhalt

Sicherheitshinweise	14-15
Bedienelemente an der Gerätevorderseite	16
Anschlüsse auf der Geräterückseite	17
Fernbedienung (OPTIONAL)	18
Streaming	19-21
Umgebungsbedingungen	22
Inbetriebnahme	23
Technische Daten	24

Sommaire

Indications de sécurité	25-26
Éléments de commande sur l'avant de l'appareil	27
Connexions sur l'arrière de l'appareil	28
Télécommande (EN OPTION)	29
Streaming	30-32
Conditions d'environnement	33
Mise en service	34
Caractéristiques techniques	35

Índice

Instrucciones de seguridad	36-37
Elementos de control en el lado delantero del aparato	38
Conexiones en el lado posterior del aparato	39
Mando a distancia (OPCIONAL)	40
Streaming	41-43
Condiciones ambientales	44
Puesta en servicio	45
Datos técnicos	46

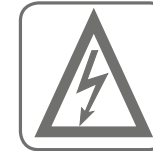
We would like to congratulate you on your decision to purchase our AURUM A10S integrated amplifier. We manufacture top-quality HiFi equipment which we hope will delight you each time you use it. Our goal in all of this is to truly satisfy the requirements of music lovers just like you.

Even though you may already be knowledgeable in using this type of equipment, we'd still like to introduce some basic rules and guidance that will enable you to get the best out of your purchase. Please do take a few moments to read this information.

SAFETY INSTRUCTIONS

Please read through these instructions carefully and follow all of the steps listed here for installing the equipment. You must abide by all of the warnings and safety instructions that are stipulated on the unit and in this instruction manual. Keep this manual close to hand so that you can consult it if you have any questions later on.

The lightning symbol inside an equal-sided triangle is used to warn you about the presence of non-insulated components carrying a dangerous live voltage that might cause severe personal injuries.



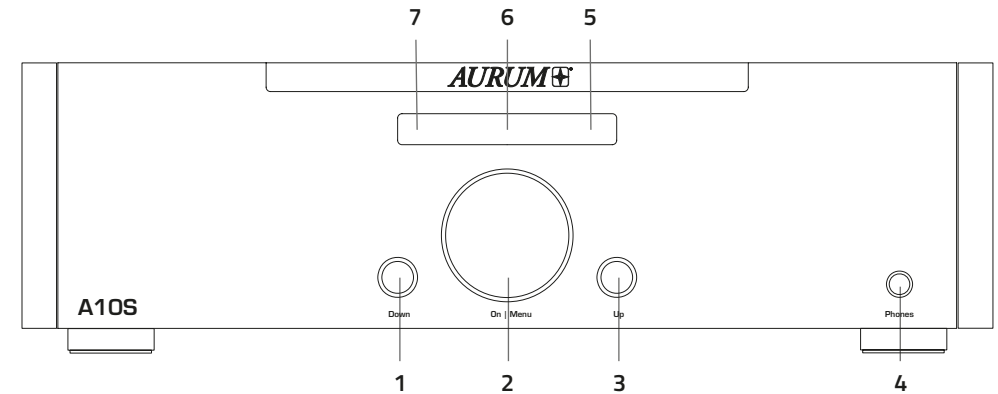
The exclamation mark inside an equal-sided triangle indicates that there is important information available regarding the use and maintenance of your equipment.



- The mains power cable and other connecting cables must be laid so that none of them are crushed or damaged by furniture, are being trodden on, and / or that nobody will trip over them.
- Take the power plug out of the socket during lightning storms or if the equipment will not be used for a long time. Always pull the plug out of the socket and never remove it by pulling on the cable!
- The amplifier's speaker terminals must only be connected up to the relevant inputs on the speakers. You must never connect these terminals up to the electrical mains supply (230V / 115V) as this will destroy the equipment and all interconnected units immediately. Therefore you must never fit plugs on these cable connections to ensure that they can never be mixed up with mains plugs.
- Voltages above 30V can be present at the speaker terminals if high volume is being used. Therefore you should never touch the terminals when the amplifier is being used.
- Never use the equipment in the vicinity of water, in humid areas or outdoors. Moisture can bypass the electrical insulation and this will create a life-threatening risk as is the case with all equipment that has not been specially designed against the penetration of moisture.
- Protect the equipment against water being sprayed on it. You must also ensure that no vessels containing liquid (e.g. vases) are placed on top of the equipment.

- Do not place the equipment in the vicinity of a heat source such as an electric fire, radiator, oven or similar.
- The slits and openings in the enclosure provide the ventilation and ensure reliable operation. They must never be misaligned or covered.
- Burning-out of specific components cannot be completely excluded, despite the use of protective devices, if the equipment is severely overloaded by continually using very loud sound levels. A fire might also be caused inside the equipment in theory, as a result of this type of overloading. Therefore the amplifier should always be used within its limits and it should not be left unattended.
- Only our technical service should undertake the maintenance of your equipment. Maintenance will be necessary if any type of damage occurs, i.e. if the power cables or plugs are damaged, if an object falls on the equipment, if the equipment is dropped or if liquid seeps into it. Never open the equipment as you might touch the mains voltage (230V / 115V), which is dangerous.
- Only use furniture and other units for attaching and putting the equipment on that can be obtained from or are recommended by the manufacturer. You must ensure that moveable tabletop units or shelves on which the equipment will be placed are always moved very carefully in order to prevent damage or injuries from being caused if the equipment tips over.
- Continuously loud volume can damage your hearing!
- Only use a dry, soft cloth to clean your equipment.
- Keep the packing for possible transportation use later on and keep the plastic bag well away from children, due to the risk of asphyxiation.

CONTROLS FITTED ON THE FRONT OF THE UNIT



- 1 Down switch:** Press the button to navigate down through the menu.
- 2 Multi-function knob (On, Volume, Source, Balance, Bass, Treble):** Pressing the knob turns the set on. Press the knob again to turn the set off (standby). In standby mode, all settings are retained. Depending on the menu chosen, you can turn the knob to change settings or the volume. The volume is set in 1 dB increments.
- 3 Up:** Press the button to navigate up through the menu.
- 4 Phones output:** Stereo 6.3 mm jack
- 5 Infrared receiver:** This sensor receives the infrared signals from your remote control. Always point the remote control at this location and make sure that the sensor is not covered.
- 6 Display:** This shows status information and messages that make using the amplifier easier.
- 7 Power indicator:** This display glows blue when the set is in standby mode to show that the set can be turned on at any time with the remote control or the knob (2).

For operating display:

Flashing of this indicator shows that the protective circuits of the device have disconnected the loudspeaker due to a fault or overloading. The device can now only be put back into operation by using the power switch on its rear side.

Obsah je uzamčen

Dokončete, prosím, proces objednávky.

Následně budete mít přístup k celému dokumentu.



Proč je dokument uzamčen? Nahněvat Vás rozhodně nechceme. Jsou k tomu dva hlavní důvody:

- 1) Vytvořit a udržovat obsáhlou databázi návodů stojí nejen spoustu úsilí a času, ale i finanční prostředky. Dělali byste to Vy zadarmo? Ne*. Zakoupením této služby obdržíte úplný návod a podpoříte provoz a rozvoj našich stránek. Třeba se Vám to bude ještě někdy hodit.

**) Možná zpočátku ano. Ale vězte, že dotovat to dlouhodobě nelze. A rozhodně na tom nezbohatneme.*

- 2) Pak jsou tady „roboti“, kteří se přiživují na naší práci a „vysávají“ výsledky našeho úsilí pro svůj prospěch. Tímto krokem se jim to snažíme překazit.

A pokud nemáte zájem, respektujeme to. Urgujte svého prodejce. A když neuspějete, rádi Vás uvidíme!