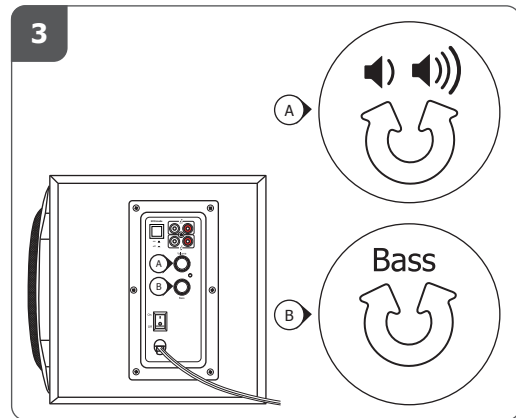
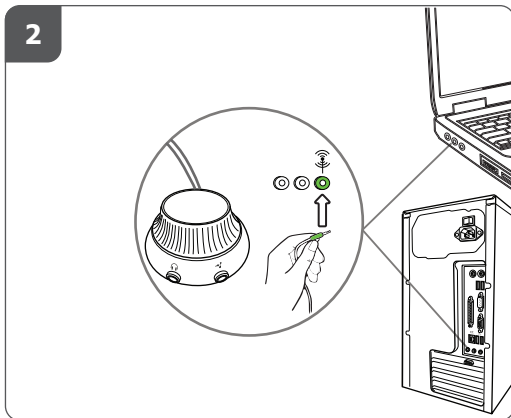
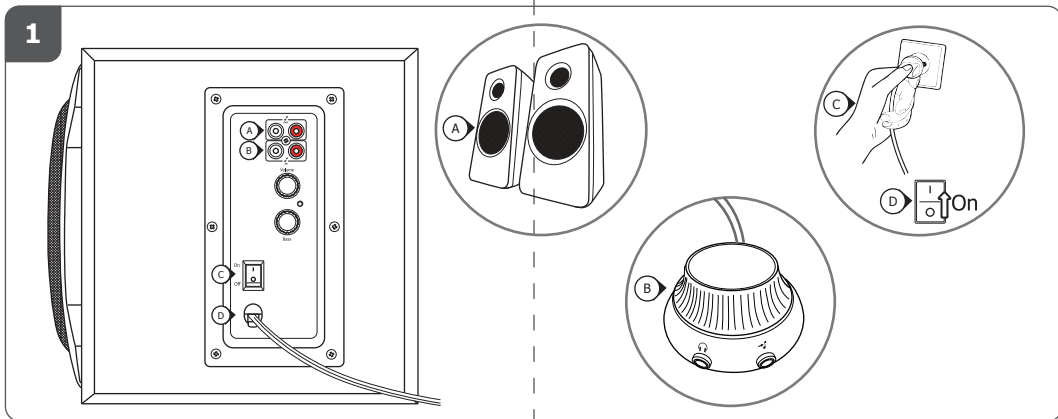


**Trust**

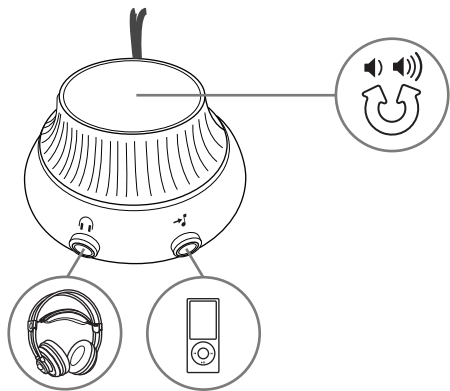


## Quick Installation Guide

Tytan 2.1 Subwoofer Speaker set



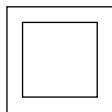
4



?



ECO mode



on



off



Frequently asked questions

[www.trust.com/19019/faq](http://www.trust.com/19019/faq)