

PHILCO® 

Famous for Quality the World Over



PHHM 6325

User's manual

Návod k obsluze

Návod na obsluhu

Felhasználói kézikönyv

Instrukcja obsługi

Dear customer,
Thank you for buying a PHILCO brand product. So that your appliance serves you well, please read all the instructions in this user's manual.

CONTENT

IMPORTANT SAFETY USE GUARD	4
FEATURES OF YOUR HAND MIXER.....	7
GETTING TO KNOW YOUR HAND MIXER.....	7
Before First Use.....	7
Control Buttons.....	8
Installing The Attachments.....	8
Selecting The Speed.....	10
Using the Hand Mixer (for beaters/dough hooks/whisk).....	10
Using the Hand Mixer (for bar blender)	11
Using the Hand Mixer (for chopper).....	11
Remove The Beaters or Dough hooks/whisk/bar blender/chopper	12
TROUBLESHOOTING.....	12
CARE AND CLEANING	13
SPECIFICATIONS.....	14
Rating Label (L50*W30mm).....	14

IMPORTANT SAFETY USE GUARD

Read all instructions carefully, even if you feel you are quite familiar with the appliance.

- Unplug from power outlet when not in use and before cleaning.
- This appliance is not intended for use by persons (including children) with reduced physical, sensory and mental capabilities, or lack of experience and knowledge, unless they have been given supervision or instruction concerning use of the appliance by a person responsible for their safety.
- Children should be supervised to ensure that they do not play with the appliance.
- To protect against fire, electric shock or injury, do not immerse power cord, plug or unit in water or other liquid.
- Do not allow the power cord hang over the edge of a table or bench, touch hot surfaces or become knotted.
- Do not place this appliance on or near a gas burner or electric element, or where it could touch a heated oven.
- Do not operate any appliance with a damaged power cord or plug, if the appliance malfunctions, or if it has been damaged in any manner.
- Avoid contact with moving parts. A rubber scraper may be used but only when the unit is not operating.
- This appliance is recommended for household use only. Do not use this appliance for other than its intended use. Do not use outdoors.
- Allow to cool before cleaning.

- Do not attempt to repair or disassemble the appliance. There are no user-serviceable parts.
- Do not connect the appliance to an electrical socket until all parts have been assembled according to the instructions.
- Operate on a dry level surface. Operating on sinks, drainboards or uneven surfaces should be avoided.
- Do not blend hard ingredients or fruit kernels.
- Only use the original beaters and dough hooks attached with the Hand Mixer. Never use different attachments (beater and dough hooks) at the same time.
- Always ensure the beaters or dough hooks are firmly positioned before operating.
- Handle your Hand Mixer and attachments with care. Never place your fingers inside a mixing bowl or near beaters or dough hooks during use.
- Do not open the appliance and never attempt to insert metal objects inside.
- Keep hands, hair, clothing, as well as spatulas and other utensils away from moving beaters during operation.
- Never immerse the appliance in water or any other liquid.
- Always remove the attachments from the mixer before cleaning.
- Never fold the mains lead or wind it round the appliance, as this could cause the cable to break.
- Always switch the appliance off and then switch off at the power outlet after use and before attempting to move the appliance, before putting on or taking off parts and before cleaning.

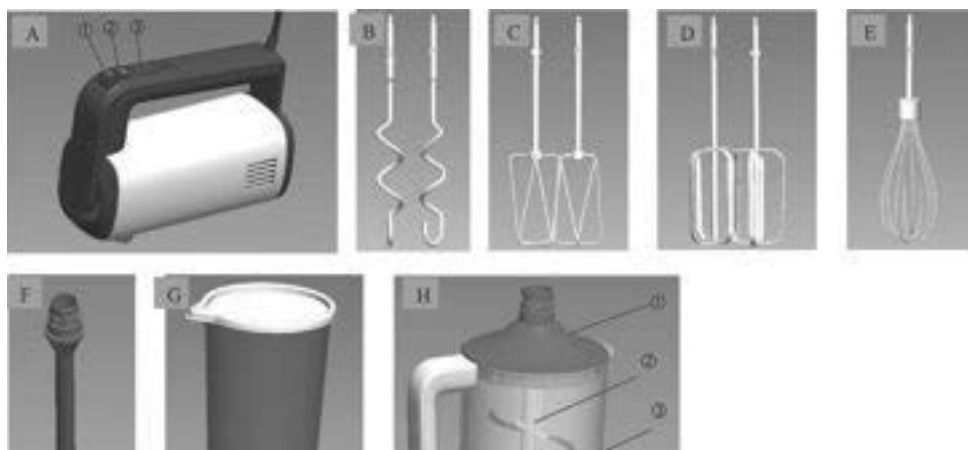
- Do not use the appliance if you are on a damp surface, or if your hands or the appliance are wet.
- Do not leave the appliance unattended when in use.
- Never operate the appliance when the mixing bowl is empty, as the motor may over heat.

Warning

- If the supply power cord is damaged, the power cord must be replaced by the manufacturer, its service agent or similarly qualified persons in order to avoid a hazard.
- This product has not been designed for any uses other than those specified in this booklet.
- Only use OEM accessories. Using non - OEM accessories results in an increased risk of accidents. There is no liability for any accidents or damages resulting from the use of non - OEM accessories. The use of non-original accessories and resulting damage to the appliance invalidates any warranty claims.

SAVE THESE INSTRUCTIONS!

FEATURES OF YOUR HAND MIXER



A) Mixer unit (① Eject button, ② pulse button, ③ Speed selector)

B) Dough hook

C) Beater (wire)

D) Beater (strip)

E) Whisk

F) Bar blender

G) Beaker with lid (for bar blender)

H) Chopper (① Chopper lid, ② Chopper blade, ③ Chopper bowl)

GETTING TO KNOW YOUR HAND MIXER

Congratulations on the purchase of your new Hand Mixer.

Before using your new Hand Mixer, it is important that you read and follow the instructions in this booklet even if you feel you are familiar with this type of appliance. Find a place to keep this booklet handy for future reference. Attention is particularly drawn to the section dealing with "IMPORTANT SAFEGUARDS".

This appliance has been designed to operate from a standard domestic power outlet. It is not intended for industrial or commercial use.

Before First Use

- Remove and safely discard any packaging material and promotional labels before using the appliance for the first time.
- Before using your Hand Mixer for the first time, wash the beaters, dough hooks, whisk, bar blender, beaker, chopper in warm soapy water with a soft cloth. Rinse and dry thoroughly.
- ① When first using your hand mixer, you may notice an odour from the motor. This is normal and will dissipate as the motor is run in.

WARNING:

Do not plug the power cord into an electrical outlet until the accessories such as beaters, dough hooks, whisk, bar blender, chopper have been securely attached. Make sure the Speed Selector is set to the "0"(Off) position.

Control Buttons

- Eject button - to release beaters, dough hooks, whisk.
- 1-5 Speed Selector - for beaters, dough hooks, whisk light, medium and heavy mixing; M speed selector - for bar blender and chopper function.
- pulse button- Speed Selector on 1-4, HI-speed, for heavy mixing; Speed Selector on M, press to start the bar blender and chopper function, release to stop the bar blender and chopper function.

Installing The Attachments

- Ensure the appliance is unplugged from the power socket.
- Ensure that the speed selector is set to the " 0" (Off) position.
- The beater stem ends are shaped to fit the corresponding apertures in the mixer.

Each pair of beaters(wire), dough hooks has one attachment fitted with a collar with a large diameter on the stem and the other fitted without it on the stem.

When inserting the beaters, dough hooks, whisk, make sure that the beaters(wire) and dough hooks with the larger disc-shaped collar is placed into the hole with the larger opening. (Fig 1)

While installing, Align stems and push down Insert the attachments into the holes until they click into place (you may have to rotate them slightly). Check they are in securely and correctly

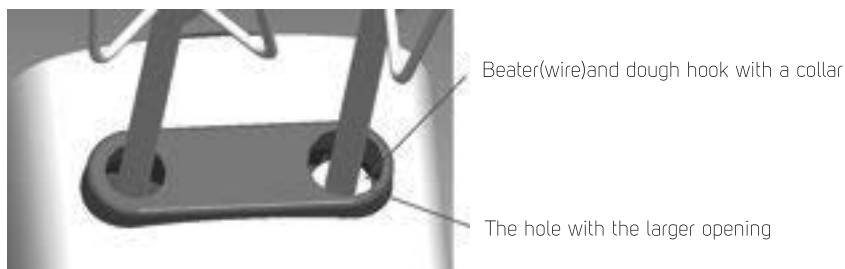


Fig 1

- The bar blender are shaped to fit the corresponding aperture in the mixer.
Before inserting the bar blender to the mixer door, firstly you use bar blender head to lever the mixer door, then push it down, finally rotate it anticlockwise until they click into place(if you can not hear they click into place, you may have to push it down and rotate it anticlockwise until the head really teach the bottom place). Check they are in securely and correctly. (Fig 2)

Then you can put it to the beaker with food. (Fig 3)

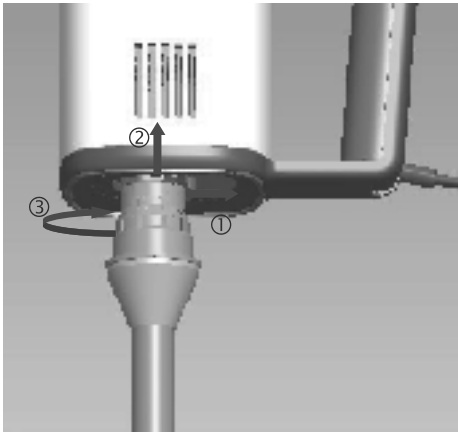


Fig 2

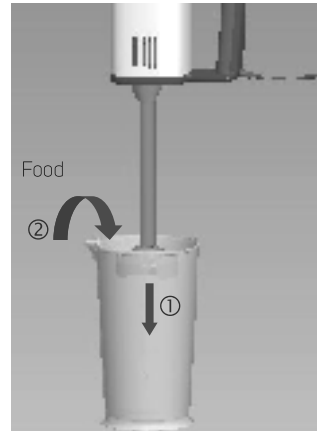


Fig 3

- The mixer ends are shaped to fit the corresponding apertures in the chopper. Before you putting the food into the chopper bowl, you must insert chopper blade into chopper bowl. (Fig 4)

WARNING:
The chopper blade is very sharp, please be careful.

Before inserting the chopper lid to the mixer door, firstly you use chopper lid head to lever the mixer door, then push it down, finally rotate it anticlockwise until they click into place(if you can not hear they click into place, you may have to push it down and rotate it anticlockwise until the head really reach the bottom place). Check they are in securely and correctly. (Fig 5)

Putting mixer with chopper lid to the chopper bowl, then rotating mixer clockwise until they click into place.(Fig 6) Check they are in securely and correctly. If you find it is difficult to put chopper lid to the chopper bowl, please rotate the drive connector on the chopper lid some angel. (Fig 7).



Fig 4

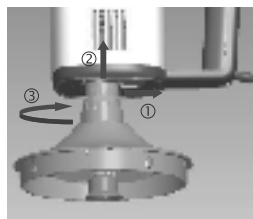


Fig 5

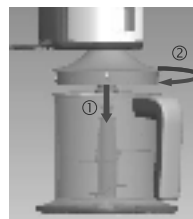


Fig 6



Fig 7

Selecting The Speed

Speed recommendations:

Speed setting	Action	Description
1	Combine/blend	Lowest speed for blending larger quantities and dry foodstuffs, such as flour, sugar. For combining 2 ingred,such as stirring beaten egg white into a mixture.
2	Slow whisk	Perfect speed for adding liquids or mixing salad dressings.
3	Combine/whisk	For pastry or cake mixture.
4	Mix/fast whisk	For whipping cream. For mixing butter and sugar, whisking cold puddings, custard, etc.
5	Whip	For whisking eggs, meringue, potato puree, whipping cream, mayonnaise, etc.
M	Bar blender	Make kinds of fruits and vegetables juice
	Chopper	Food process, meat or vegetables.

Using the Hand Mixer (for beaters/dough hooks/whisk)

- Ensure beaters/dough hooks/whisk are inserted into slots and clicked into place securely.
- Plug into a standard domestic electrical outlet.
- Place the ingredients into a bowl suitable for mixing purposes, grip the mixer handle, and position the beaters/dough hooks/whisk in the centre of the food to be mixed.
- To avoid the ingredients splashing out and the risk of injury when you switch on the appliance, make sure the beaters/dough hooks/whisk are immersed in the food to be processed before you switch it on. Always begin mixing on a lower speed setting "1" to prevent splattering. Slow increasing to the desired speed for the mixing task (setting 1 for lowest speed, 5 for highest speed). The speed setting can be adjusted during use by turning the speed selector to front or back.
- You can use the pulse button at any time on any setting (except "0"). Press the pulse button to increase the appliance's power and speed to maximum (as speed setting "5"). The pulse button is the equivalent of setting "5", so when you are on setting "5", pressing the pulse button will not add any extra power.
- Move the mixer in a slight circular motion during mixing to allow the beaters/dough hooks/whisk to mix the ingredients efficiently. Stop the mixer now and then, using a plastic spatula, scrape down the sides of the mixing bowl, then continue mixing.

CAUTION: Avoid allowing the beaters or dough hooks to hit against the side of the mixing bowl while the mixer is in use as this will result in damage to the beaters/dough hooks/whisk.

CAUTION: To prevent the Mixer from overheating, do not operate it for more than 10 minutes at a time. Allow the appliance to cool down to room temperature before using it again.

Using the Hand Mixer (for bar blender)

- Ensure bar blender is inserted into mixer door and clicked into place securely.
- Plug into a standard domestic electrical outlet.
- Place the fruit/vegetables and water's ingredients into beaker for blending purposes, grip the mixer handle, and position the bar blender's edge against the inner surface of beaker.
- To avoid the ingredients splashing out and the risk of injury when you switch on the appliance, make sure use one hand to hold the beaker. Then speed selector setting on "M". Press the pulse button to start the appliance.
- In order to blending better, you may moving the mixer up and down the beaker inner surface slightly.

CAUTION: To prevent the Mixer from overheating, do not operate it for more than 1 minute at a time and do not blend hard food as carrots. Allow the appliance to cool down to room temperature before using it again.

Using the Hand Mixer (for chopper)

- Ensure chopper is inserted into mixer door and clicked into place securely.
- Ensure place the meat/vegetables ingredients into chopper bowl for process purposes.
- Plug into a standard domestic electrical outlet.
- Place the meat/vegetables ingredients into chopper bowl for process purposes. Grip the mixer handle.
- Speed selector setting on "M". Press the pulse button to start the appliance.
- In order to blending better, you may press and hold the pulse button slightly every several seconds.

CAUTION: To prevent the Mixer from overheating, do not operate it for more than 1 minute at a time. Allow the appliance to cool down to room temperature before using it again.

Remove The Beaters or Dough hooks/whisk/bar blender/chopper

- Set the speed selector to "0" position(Off).
- Switch appliance off at the power point.
- Unplug the appliance.
- For dough hooks/beaters/whisk - Press the Eject button, remove the beaters/dough hooks/whisk from the mixer.
- For bar blender - Rotate the bar blender clockwise until end, pull it out of the mixer door.
- For chopper - Rotate the mixer unit anticlockwise until end, pull it out of the chopper.

Note: Never attempt to release the beaters/dough hooks/whisk or rotate the bar blender/chopper while operating the hand mixer. Only take the attachments (beaters/dough hooks/whisk/bar blender/chopper) out of the bowl /beaker when all parts have come to a complete stop.

Note: Always set the speed selector to "0"(Off) while press the Eject button to remove the attachments.

TROUBLESHOOTING

Defect:	Cause:	Remedy:
The appliance does not function.	The mains plug is not connected to the electrical socket.	Connect the mains plug to the electrical socket.
	The appliance is not switched on.	Use the 6-step switch to turn on the appliance.
The attachments cannot be removed.	The eject button was not pressed.	Press the eject button to remove the attachments from the unit.
The unit is not mixing.	The attachments were not fully clicked in.	Make sure you push the attachments into the holes until you hear and feel them click into place.
Bar blender or chopper is not work	The speed selector on 1-5 Haven't press pulse button	Setting speed selector on M Press the pulse button

CARE AND CLEANING

- DO NOT immerse the appliance in water or any other liquid.
- Always ensure that the speed selector is in the "0" (Off) position and that the power is turned off at the power outlet. Then remove the plug from the power outlet.
- For dough hooks/beaters/whisk - Press the Eject button, remove the beaters/dough hooks/whisk from the mixer.
- For bar blender - Rotate the bar blender clockwise until end, pull it out of the mixer door.
- For chopper - Rotate the mixer unit anticlockwise until end, pull it out of the chopper.
- Use a rubber spatula to clean the beaters/dough hooks/whisk/bar blender/chopper blade/chopper bowl/chopper lid. Then wash the beaters/ dough hooks/whisk/bar blender/chopper blade/chopper bowl/chopper lid inner surface in warm soapy water with a soft cloth. Rinse and dry thoroughly.
- For the bar blender cleaning - use a beaker with clean water, then blending the clean water can also wash the bar blender.
- Cleaning the attachments in a dishwasher is not recommended.
- Wipe the mixer body and chopper lid out surface with a soft damp cloth and dry.
- Wipe any excess food particles from the power cord.
- Never use sharp or abrasive cleaning products or sharp-edged objects for cleaning.
- Place the appliance and attachments in a dry, cool place.

WARNING:

The chopper blade is very sharp, please be careful of cleaning it.

SPECIFICATIONS

Power Supply220-240V ~ 50Hz

Power Consumption.....500W

Protection classII 

Max. running time10 minutes-for beater, dough hook, whisk; 1minute-for bar blender;
10 seconds-for chopper

Rating Label (L50*W30mm)

PHHM 6325
AC220~240V 50Hz 500W
Manufacturer/Importer:
Fast ČR, a.s.
Praha 10, Černokostecká 2111
CZ-10000; CZECH REPUBLIC



Note: As a result of continual improvements, the design and specifications of the product within may differ slightly to the unit illustrated from the packaging.



The product packaging is made of recyclable materials. The packaging material can be taken to public recycling collection points.



Old appliances do not belong in household waste! To comply with current legislation, old appliances, having reached the end of their useful lives, should be taken to a disposal facility where they can be sorted. In this way, any valuable material contained in the old appliances can be recycled and the environment protected. Responsible local authorities or their waste disposal operators.

INSTRUCTIONS AND INFORMATION REGARDING THE DISPOSAL OF USED PACKAGING MATERIALS

Dispose of packaging material at a public waste disposal site.



DISPOSAL OF USED ELECTRICAL AND ELECTRONIC APPLIANCES

The meaning of the symbol on the product, its accessory or packaging indicates that this product shall not be treated as household waste. Please, dispose of this product at your applicable collection point for the recycling of electrical & electronic equipment waste. Alternatively in some states of the European Union or other European states you may return your products to your local retailer when buying an equivalent new product. The correct disposal of this product will help save valuable natural resources and help in preventing the potential negative impact on the environment and human health, which could be caused as a result of improper liquidation of waste. Please ask your local authorities or the nearest waste collection centre for further details. The improper disposal of this type of waste may fall subject to national regulations for fines.

For business entities in the European Union

If you wish to dispose of an electrical or electronic device, request the necessary information from your seller or supplier.

Disposal in other countries outside the European Union

If you wish to dispose of this product, request the necessary information about the correct disposal method from local government departments or from your seller.



This product meets all the basic EU regulation requirements that relate to it.

Changes to the text, design and technical specifications may occur without prior notice and we reserve the right to make these changes.

Czech is the original version.

Address of the manufacturer: PHILCO, Praha 10, Černokostecká 2111, CZ-10000; CZECH REPUBLIC

Vážený zákazníku,
Děkujeme vám za zakoupení produktu značky PHILCO. Aby vám tento spotřebič dobře sloužil, přečtěte si prosím všechny pokyny v této uživatelské příručce.

OBSAH

DŮLEŽITÉ BEZPEČNOSTNÍ POKYNY	3
VLASTNOSTI VAŠEHO RUČNÍHO MIXÉRU.....	6
POPIS VAŠEHO RUČNÍHO MIXÉRU	6
Před prvním použitím	6
Ovládací tlačítka	7
Instalace doplňků.....	7
Výběr rychlosti.....	9
Používání ručního mixéru (pro šlehačí nástavce/nástavce na hnětení těsta/šlehačí metlu).....	9
Používání ručního mixéru (tyčový mixér)	10
Použití ručního mixéru (pro sekáček).....	10
Odstraňte šlehačí nástavce nebo nástavce na hnětení těsta/šlehačí metlu/tyčový mixér/sekáček	11
ŘEŠENÍ PROBLÉMŮ.....	11
PÉČE A ČIŠTĚNÍ.....	12
TECHNICKÉ ÚDAJE	13
Typový štítek (D 50 * Š 30 mm).....	13

DŮLEŽITÉ BEZPEČNOSTNÍ POKYNY

Přečtěte si pozorně všechny pokyny, a to i tehdy, když máte pocit, že tento typ spotřebiče znáte.

- Pokud nebudete spotřebič používat nebo pokud jej chcete očistit, odpojte jej ze síťové zásuvky.
- Tento spotřebič nesmí používat osoby s omezenými fyzickými, smyslovými nebo duševními schopnostmi (včetně dětí), nebo osoby s nedostatkem zkušeností a znalostí, pokud nejsou pod dozorem nebo pokud neobdržely pokyny pro používání spotřebiče od osoby odpovědné za jejich bezpečnost.
- Děti musí být neustále pod dozorem, aby si s tímto spotřebičem nehrály.
- Aby nedošlo k požáru, úrazu elektrickým proudem nebo zranění, neponořujte napájecí kabel, zástrčku ani spotřebič do vody či jakékoli jiné tekutiny.
- Nedovolte, aby napájecí kabel visel přes okraj stolu nebo pracovní desky, aby se dotýkal horkých povrchů nebo aby byl zamotaný.
- Nestavte tento spotřebič na plynový hořák či elektrický sporák nebo do jejich blízkosti, nebo na jakékoli místo, kde by se dotýkal zahřáté trouby.
- Nepoužívejte jakýkoli spotřebič s poškozeným napájecím kabelem nebo zástrčkou, pokud spotřebič vykazuje závadu nebo je jakkoli poškozen.
- Vyvarujte se kontaktu s pohyblivými částmi.
Můžete používat gumovou škrabku, ale pouze pokud tehdy, když přístroj není v provozu.

- Tento spotřebič je určen pouze pro domácí použití. Nepoužívejte spotřebič k jiným účelům, než ke kterým je určen. Nepoužívejte spotřebič venku.
- Před čištěním jej nechte vychladnout.
- Nepokoušejte se tento spotřebič opravovat nebo rozebírat. Nejsou v něm žádné součásti, které byste mohli sami opravit.
- Nepřipojujte spotřebič do elektrické zásuvky, dokud nebyly všechny díly sestaveny podle pokynů.
- Používejte jej na suchém rovném povrchu. Nepoužívejte jej v dřezech, na odkapávacích nebo na nerovných površích.
- Nemíchejte tvrdé ingredience nebo ovocná jádra.
- Používejte pouze originální šlehací nástavce a nástavce na hnětení těsta dodávané k ručnímu mixéru. Nikdy nepoužívejte odlišné příslušenství (šlehací nástavec a nástavce na hnětení těsta) současně.
- Vždy zajistěte, aby byly šlehací nástavce nebo nástavce na hnětení těsta před zapnutím spotřebiče správně umístěny.
- Zacházejte s ručním mixérem a doplňky opatrně. Nikdy nestrkejte prsty do nádoby na mixování nebo do blízkosti šlehacích nástavců či nástavců na hnětení těsta, je-li spotřebič v provozu.
- Nerozebírejte tento spotřebič a nikdy se do něj nepokoušejte vkládat kovové předměty.
- Udržujte ruce, vlasy, oblečení, špachtle a jiné kuchyňské pomůcky v dostatečné vzdálenosti od pohybujících se nástavců na šlehání, pokud je spotřebič v provozu.
- Nikdy neponořujte tento spotřebič do vody ani jiné tekutiny.

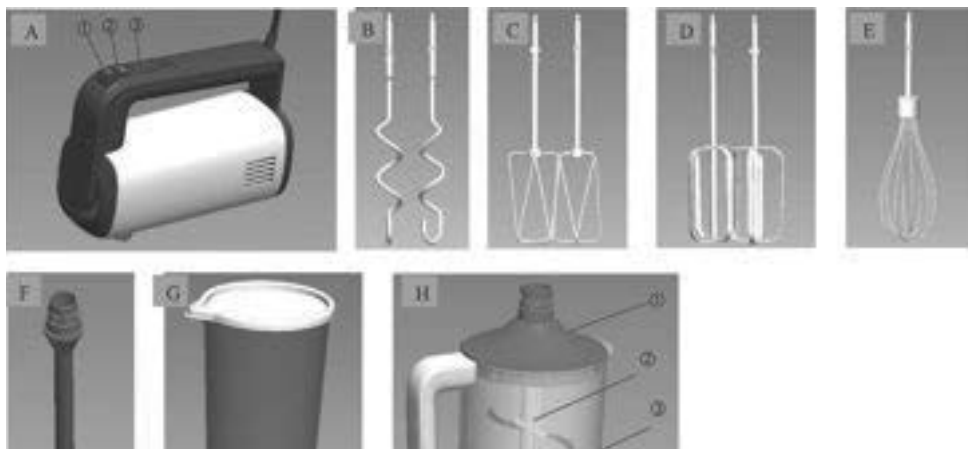
- Před čištěním vždy odstraňte z mixéru doplňky.
- Nikdy neohýbejte síťový kabel a neomotávejte jej kolem tohoto spotřebiče, protože by mohlo dojít ke zlomení kabelu.
- Po ukončení používání, před přemístěním spotřebiče, před nasazením nebo odebráním dílů a před čištěním vždy vypněte spotřebič i napájecí zásuvku.
- Nepoužívejte tento spotřebič, pokud stojíte na vlhkém povrchu nebo pokud jsou vlhké vaše ruce či spotřebič.
- Během používání nenechávejte tento spotřebič bez dozoru.
- Nikdy nezapínejte tento spotřebič, pokud je nádoba na mixování prázdná, jinak může dojít k přehřátí motoru.

Varování

- Pokud je poškozen napájecí kabel, musí být vyměněn výrobcem, jeho servisním technikem nebo podobně kvalifikovanou osobou, aby bylo vyloučeno jakékoli nebezpečí.
- Tento produkt nebyl navržen pro jiné použití, než je uvedeno v této příručce.
- Používejte pouze originální (OEM) příslušenství. Použití jiného než originálního příslušenství má za následek zvýšené nebezpečí nehod. Neneseme odpovědnost za jakékoli nehody nebo poškození v důsledku používání jiného než originálního příslušenství. Použití neoriginálního příslušenství a následné poškození spotřebiče má za následek ztrátu jakýchkoli nároků v rámci záruky.

Uchovejte tyto pokyny!

VLASTNOSTI VAŠEHO RUČNÍHO MIXÉRU



- A) Jednotka mixéru (① Tlačítko vysunutí, ② Pulzní tlačítko, ③ Volič rychlosti)
 B) Nástavec na hnětení těsta
 C) Šlehací nástavec (drát)
 D) Šlehací nástavec (pás)
 E) Šlehací metla
 F) Tyčový mixér
 G) Kelímek s víkem (pro tyčový mixér)
 H) Sekáček (① Víko sekáčku, ② Nůž sekáčku, ③ Miska sekáčku)

POPIS VAŠEHO RUČNÍHO MIXÉRU

Blahopřejeme Vám k zakoupení vašeho nového ručního mixéru.

Před použitím vašeho nového ručního mixéru je důležité, abyste si přečetli a dodržovali všechny pokyny v této příručce, a to i tehdy, když máte pocit, že tento typ spotřebiče znáte. Najděte místo pro bezpečné uložení této příručky pro pozdější použití. Věnujte obzvlášť pozornost části „DŮLEŽITÉ BEZPEČNOSTNÍ POKYNY“.

Tento spotřebič byl navržen pro napájení ze standardní domácí síťové zásuvky. Není určen pro průmyslové nebo komerční použití.

Před prvním použitím

- Před prvním použitím tohoto spotřebiče odstraňte a bezpečně zlikvidujte veškerý obalový materiál a reklamní štítky.
- Před prvním použitím vašeho ručního mixéru umyjte šlehací nástavce, nástavce na hnětení těsta, šlehací metlu, tyčový mixér, kelímek a sekáček teplou mýdlovou vodou a jemným hadříkem. Opláchněte je a důkladně vysušte.

- ① Při prvním zapnutí vašeho ručního mixéru můžete ucítit zápach pocházející z motoru. Toto je normální chování; po zapnutí motoru zápach zmizí.

VAROVÁNÍ:

Nepřipojujte napájecí kabel do elektrické zásuvky dříve, než pevně připojíte příslušenství, jako například šlehací nástavce, nástavce na hnětení těsta, šlehací metlu, tyčový mixér a sekáček. Zajistěte, aby byl volič rychlosti nastaven do polohy „0“ (Vypnuto).

Ovládací tlačítka

- Tlačítko vysunutí – pro uvolnění šlehacích nástavců, nástavců na hnětení těsta a šlehací metly.
- Volič rychlosti 1–5 – pro šlehací nástavce, nástavce na hnětení těsta, slabé, střední a silné šlehání šlehací metlou; volič rychlosti M – pro tyčový mixér a funkci sekáčku.
- Pulzní tlačítko – Volič rychlosti na 1–4, vysoká rychlost, pro silné mixování; Volič rychlosti na M, stiskněte pro spuštění funkce tyčového mixéru a sekáčku, uvolněte pro zastavení funkce tyčového mixéru a sekáčku.

Instalace doplňků

- Zajistěte, aby byl spotřebič odpojen z napájecí zásuvky.
- Zajistěte, aby byl volič rychlosti nastaven do polohy „0“ (Vypnuto).
- Konce násady šlehacího nástavce jsou tvarovány tak, aby zapadly do příslušných otvorů v mixéru.

Každý pár šlehacích nástavců (drát) a nástavců na hnětení těsta má jeden doplněk osazen objímkou s velkým průměrem na násadě a druhý je bez objímky na násadě.

Při nasazování šlehacích nástavců, nástavců na hnětení těsta a šlehací metly zajistěte, aby byly šlehací nástavce (drát) a nástavce na hnětení těsta s větší objímkou tvaru disku umístěny do otvoru s větší dírou. (Obr. 1)

Při instalaci vyrovnejte násady a zatlačte je dolů. Vložte doplňky do otvorů tak, aby zacvakly do správné polohy (možná je budete muset mírně pootočit). Zkontrolujte, zda proběhla instalace bezpečně a správně



Šlehací nástavec (drát) a nástavec na hnětení těsta s objímkou

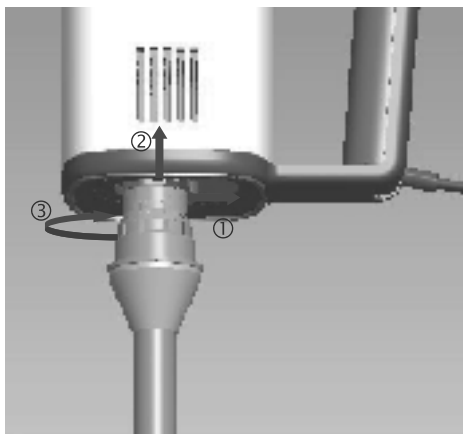
Otvor s větší dírou

Obr. 1

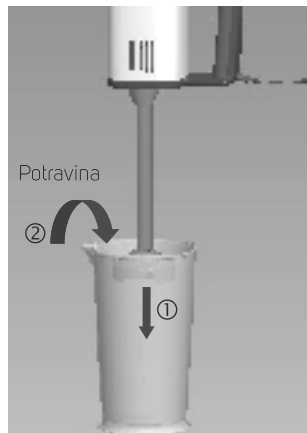
- Tyčový mixér je vytvářen tak, aby zapadl do příslušných otvorů v mixéru.

Před vložením tyčového mixéru do dvířek mixéru nejprve použijte hlavu tyčového mixéru pro zvednutí dvířek mixéru, pak jej zatlačte dolů a nakonec jej otočte proti směru hodinových ručiček tak, aby zacvakl do správné polohy (pokud neslyšíte zacvaknutí do správné polohy, budete jej muset zatlačit dolů a otáčet proti směru hodinových ručiček, dokud se hlava skutečně nedotkne dolní plochy). Zkontrolujte, zda proběhla instalace bezpečně a správně. (Obr. 2)

Pak jej můžete vložit do kelímku s potravinami. (Obr. 3)



Obr. 2



Obr. 3

- Konce mixéru jsou vytvářeny tak, aby zapadly do příslušných otvorů v sekáčku.

Před vložením potravin do misky sekáčku musíte vložit do misky sekáčku nůž sekáčku. (Obr. 4)

VAROVÁNÍ:

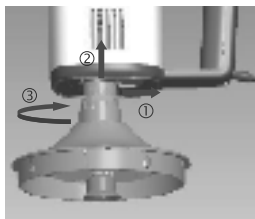
Nůž sekáčku je velmi ostrý, buďte prosím opatrní!

Před vložením víka sekáčku do dvířek mixéru nejprve použijte hlavu víka sekáčku pro zvednutí dvířek mixéru, pak jej zatlačte dolů a nakonec jej otočte proti směru hodinových ručiček tak, aby zacvaklo do správné polohy (pokud neslyšíte zacvaknutí do správné polohy, budete jej muset zatlačit dolů a otáčet proti směru hodinových ručiček, dokud hlava skutečně nedosáhne dolní plochy). Zkontrolujte, zda proběhla instalace bezpečně a správně. (Obr. 5)

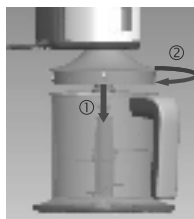
Vložení mixéru s víkem sekáčku do misky sekáčku, pak otočení mixéru ve směru hodinových ručiček tak, aby zacvakl do správné polohy (obr. 6). Zkontrolujte, zda proběhla instalace bezpečně a správně. Pokud je vložení víka sekáčku do misky sekáčku obtížné, otočte prosím o určitý úhel konektor pohonu na víku sekáčku. (Obr. 7).



Obr. 4



Obr. 5



Obr. 6



Obr. 7

Výběr rychlosti

Doporučení pro rychlost:

Nastavení rychlosti	Činnost	Popis
1	Mísění/míchání	Nejnižší rychlost pro míchání větších množství a suchých potravin, jako například mouky a cukru. Pro mísení 2 ingrediencí, jako například míchání šlehaného vaječného bítku do směsi.
2	Pomalé šlehání	Ideální rychlost pro přidávání tekutin nebo mixování salátových dresinků.
3	Mísění/šlehání	Pro těsto nebo koláčovou směs.
4	Mixování/rychlé šlehání	Pro šlehání smetany. Pro mixování másla a cukru, šlehání studených pudinků, krémů, apod.
5	Šlehání	Pro šlehání vajec, sněhových pusinek, bramborové kaše, šlehání smetany, majonézy, apod.
M	Tyčový mixér	Výroba různých druhů ovocných a zeleninových šťáv
	Sekáček	Zpracování potravin, masa nebo zeleniny.

Používání ručního mixéru (pro šlehačí nástavce/nástavce na hnětení těsta/šlehačí metlu)

- Zajistěte, aby byly šlehačí nástavce/nástavce na hnětení těsta/šlehačí metla vloženy do příslušných otvorů a pevně zacvaknuty do správné polohy.
- Připojte spotřebič do standardní elektrické zásuvky v domácnosti.
- Vložte ingredience do nádoby vhodné pro mixování, uchopte rukojeť mixéru a umístěte šlehačí nástavce/nástavce na hnětení těsta/šlehačí metlu doprostřed mixované potravin.
- Aby nedošlo při zapnutí spotřebiče k vystříknutí ingrediencí a nebezpečí zranění, zajistěte, aby byly šlehačí nástavce/nástavce na hnětení těsta/šlehačí metla před zapnutím ponořeny do zpracovávané potravin. Aby nedošlo k rozstříknutí, začněte vždy mixovat s nižším nastavením rychlosti na „1“.

Pomalou zvyšujte rychlost na požadovanou hodnotu pro mixování (nastavení 1 je pro nejnižší rychlost, 5 pro nejvyšší rychlost). Nastavení rychlosti lze během používání měnit otočením voliče rychlosti dopředu nebo dozadu.

- Kdykoli a při jakémkoli nastavení (s výjimkou „0“) můžete použít pulzní tlačítko. Stisknete pulzní tlačítko pro zvýšení výkonu spotřebiče a jeho rychlosti na maximum (nastavení rychlosti „5“). Pulzní tlačítko je ekvivalentní nastavení „5“, takže je-li nastaveno „5“, stisknutí pulzního tlačítka nedodá žádný další výkon.
- Přemísťujte mixér během mixování slabým kruhovým pohybem, aby bylo mixování šlehacími nástavci/ nástavci na hnětení těsta/šlehací metlou účinné. Občas mixér zastavte a pomocí plastové špachtle seškrabte strany nádoby na mixování; pak pokračujte v mixování.

UPOZORNĚNÍ: Nedovolte, aby šlehací nástavce nebo nástavce na hnětení těsta během provozu mixéru narážely do stran nádoby na mixování, protože by to způsobilo poškození šlehacích nástavců/nástavců na hnětení těsta/šlehací metly.

UPOZORNĚNÍ: Aby nedošlo k přehřátí mixéru, nepoužívejte jej více než 10 minut bez přerušení. Před opětovným spuštěním nechte spotřebič vychladnout na pokojovou teplotu.

Používání ručního mixéru (tyčový mixér)

- Zajistěte, aby byl tyčový mixér vložen do dvířek mixéru a pevně zacvaknut do správné polohy.
- Připojte spotřebič do standardní elektrické zásuvky v domácnosti.
- Vložte ovoce/zeleninu a vodu do kelímku pro míchání, uchopte rukojeť mixéru a umístěte hranu tyčového mixéru proti vnitřnímu povrchu kelímku.
- Aby po zapnutí spotřebiče ingredience nevystříkly a nehrozilo nebezpečí zranění, držte kelímek jednou rukou. Pak nastavte volič rychlosti na „M“. Stiskněte pulzní tlačítko pro spuštění spotřebiče.
- Pro zlepšení míchání můžete mixér po vnitřním povrchu kelímku posouvat mírně nahoru a dolů.

UPOZORNĚNÍ: Aby nedošlo k přehřátí mixéru, nepoužívejte jej déle než 1 minutu bez přerušení a nemíchejte tvrdé potraviny, jako například mrkev. Před opětovným spuštěním nechte spotřebič vychladnout na pokojovou teplotu.

Použití ručního mixéru (pro sekáček)

- Zajistěte, aby byl sekáček vložený do dvířek mixéru a bezpečně zacvaknutý na své místo.
- Zajistěte vložení ingrediencí z masa/zeleniny do misky sekáčku za účelem zpracování.
- Připojte spotřebič do standardní elektrické zásuvky v domácnosti.
- Vložte ingredience z masa/zeleniny do misky sekáčku za účelem zpracování. Uchopte rukojeť mixéru.
- Nastavte volič rychlosti na „M“. Stiskněte pulzní tlačítko pro spuštění spotřebiče.
- Pro kvalitnější míchání můžete každých několik sekund lehce stisknout a podržet pulzní tlačítko.

UPOZORNĚNÍ: Aby nedošlo k přehřátí mixéru, nepoužívejte jej více než 1 minutu bez přerušení. Před opětovným spuštěním nechte spotřebič vychladnout na pokojovou teplotu.

Odstraňte šlehací nástavce nebo nástavce na hnětení těsta/šlehací metlu/tyčový mixér/sekáček

- Nastavte volič rychlosti do polohy „0“ (Vypnuto).
- Vypněte spotřebič v místě napájení.
- Odpojte spotřebič od zdroje energie.
- Pro nástavce na hnětení těsta/šlehací nástavce/šlehací metlu – Stiskněte tlačítko vysunutí, vyjměte šlehací nástavce/nástavce na hnětení těsta/šlehací metlu z mixéru.
- Pro tyčový mixér – Otočte tyčový mixér ve směru hodinových ručiček až na konec a vytáhněte jej z dvířek mixéru.
- Pro sekáček – Otočte jednotku mixéru proti směru hodinových ručiček až na konec a vytáhněte ji ze sekáčku.

Poznámka: Nikdy se nepokoušejte uvolňovat šlehací nástavce/nástavce na hnětení těsta/šlehací metlu nebo otáčet tyčovým mixérem/sekáčkem během používání ručního mixéru. Vyjměte doplňky (šlehací nástavce/nástavce na hnětení těsta/šlehací metlu/tyčový mixér/sekáček) z nádoby/kelímku až po úplném zastavení všech dílů.

Poznámka: Jestliže mačkáte tlačítko vysunutí pro odstranění doplňků, vždy musí být nastaven volič rychlosti na „0“ (vypnuto).

ŘEŠENÍ PROBLÉMŮ

Závada:	Příčina:	Náprava:
Spotřebič nefunguje.	Síťová zástrčka není připojena do elektrické zásuvky.	Připojte síťovou zástrčku do elektrické zásuvky.
	Spotřebič není zapnutý.	Použijte přepínač se 6 polohami pro zapnutí spotřebiče.
Doplňky nejdou odstranit.	Nestiskli jste tlačítko vysunutí.	Stiskněte tlačítko vysunutí pro odstranění doplňků ze spotřebiče.
Spotřebič nemixuje.	Doplňky nebyly úplně zacvaknutý.	Zajistěte, aby byly doplňky zatlačeny do otvorů tak, abyste uslyšeli a ucítili zacvaknutí do správné polohy.
Tyčový mixér nebo sekáček nefunguje	Volič rychlosti je na 1–5 Nebylo stisknuto pulzní tlačítko	Nastavte volič rychlosti na M. Stiskněte pulzní tlačítko

PÉČE A ČIŠTĚNÍ

- NEPONORUJTE tento spotřebič do vody ani jiné tekutiny.
- Vždy zajistěte, aby byl volič rychlosti v poloze „0“ (Vypnuto) a aby bylo na napájecí zásuvce vypnuto napájení. Pak vytáhněte zástrčku z napájecí zásuvky.
- Pro nástavce na hnětení těsta/šlehací nástavce/šlehací metlu – Stiskněte tlačítko vysunutí, vyjměte šlehací nástavce/nástavce na hnětení těsta/šlehací metlu z mixéru.
- Pro tyčový mixér – Otočte tyčový mixér ve směru hodinových ručiček až na konec a vytáhněte jej z dvířek mixéru.
- Pro sekáček – Otočte jednotku mixéru proti směru hodinových ručiček až na konec a vytáhněte ji ze sekáčku.
- Pomocí gumové špachtle očistěte šlehací nástavce/nástavce na hnětení těsta/šlehací metlu/tyčový mixér/nůž sekáčku/misku sekáčku/víko sekáčku. Pak umyjte vnitřní povrch šlehacích nástavců/nástavců na hnětení těsta/šlehací metly/tyčového mixéru/nože sekáčku/misky sekáčku/víka sekáčku teplou mýdlovou vodou a jemným hadříkem. Opláchněte je a důkladně vysušte.
- Čištění tyčového mixéru – tyčový mixér můžete rovněž umýt naplněním kelímku čistou vodou a pak jejím zamícháním.
- Nedoporučujeme čistit doplňky v myčce nádobí.
- Očistěte tělo mixéru a vnější povrch víka sekáčku jemným vlhkým hadříkem a vysušte jej.
- Odstraňte z napájecího kabelu jakékoli nadbytečné části potravin.
- Nikdy nepoužívejte pro čištění ostré čisticí produkty, čisticí produkty s brusným účinkem nebo předměty s ostrými hranami.
- Umístěte spotřebič a doplňky na suché a chladné místo.

VAROVÁNÍ:

Nůž sekáčku je velmi ostrý, budete prosím při jeho čištění opatrní!

TECHNICKÉ ÚDAJE

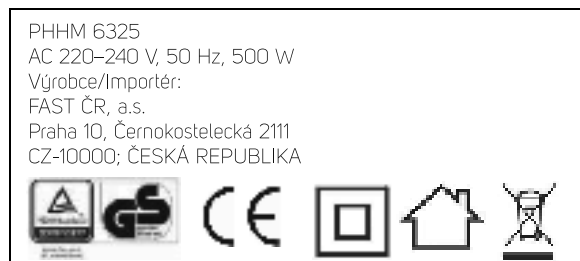
Zdroj energie.....220–240 V, ~ 50 Hz

Spotřeba energie.....500 W

Třída ochrany.....II 

Max. doba provozu.....10 minut – pro šlehací nástavec, nástavec na hnětení těsta, šlehací metlu; 1 minuta – pro tyčový mixér; 10 sekund – pro sekáček

Typový štítek (D 50 * Š 30 mm)



Poznámka: V důsledku neustálého vylepšování se design a technické údaje vašeho produktu mohou mírně lišit od obrázku uvedeného na obalu.



Obal tohoto produktu je vyroben z recyklovatelných materiálů. Obalový materiál můžete odevzdat do některého z veřejných sběrných dvorů.



Vyřazené spotřebiče nepatří do domácího odpadu! Aby byly splněny požadavky platné legislativy, odnese vyřazené spotřebiče po uplynutí jejich životnosti do sběrného dvora, kde bude provedeno jejich rozřídění. Tímto způsobem lze recyklovat jakýkoli cenný materiál obsažený ve starých spotřebičích a je chráněno i životní prostředí. Odpovědné místní úřady nebo jejich provozovatelé zpracování odpadu.

POKYNY A INFORMACE O NAKLÁDÁNÍ S POUŽITÝM OBALEM

Použitý obalový materiál odložte na místo určené obcí k ukládání odpadu.



LIKVIDACE VYŘAZENÝCH ELEKTRICKÝCH A ELEKTRONICKÝCH ZAŘÍZENÍ

Tento symbol na produktech anebo v průvodních dokumentech znamená, že použité elektrické a elektronické výrobky nesmí být přidány do běžného komunálního odpadu. Ke správné likvidaci, obnově a recyklaci předejte tyto výrobky na určená sběrná místa. Alternativně v některých zemích Evropské unie nebo jiných evropských zemích můžete vrátit své výrobky místnímu prodejci při koupi ekvivalentního nového produktu. Správnou likvidací tohoto produktu pomůžete zachovat cenné přírodní zdroje a napomáháte prevenci potenciálních negativních dopadů na životní prostředí a lidské zdraví, což by mohly být důsledky nesprávné likvidace odpadů. Další podrobnosti si vyžádejte od místního úřadu nebo nejbližšího sběrného místa. Při nesprávné likvidaci tohoto druhu odpadu mohou být v souladu s národními předpisy uděleny pokuty.

Pro podnikové subjekty v zemích Evropské unie

Chcete-li likvidovat elektrická a elektronická zařízení, vyžádejte si potřebné informace od svého prodejce nebo dodavatele.

Likvidace v ostatních zemích mimo Evropskou unii

Tento symbol je platný v Evropské unii. Chcete-li tento výrobek zlikvidovat, vyžádejte si potřebné informace o správném způsobu likvidace od místních úřadů nebo od svého prodejce.



Tento výrobek splňuje veškeré základní požadavky směrnic EU, které se na něj vztahují.

Změny v textu, designu a technických specifikacích se mohou měnit bez předchozího upozornění a vyhrazujeme si právo na jejich změnu.

Čeština je původní verze.

Adresa výrobce: PHILCO, Praha 10, Černokostecká 2111, CZ-10000; CZECH REPUBLIC

Vážený zákazník,
ďakujeme vám za kúpu produktu značky PHILCO. Aby vám tento spotrebič dobre slúžil, prečítajte si, prosím,
všetky pokyny v tejto používateľskej príručke.

OBSAH

DÔLEŽITÉ BEZPEČNOSTNÉ POKYNY.....	3
VLASTNOSTI VÁŠHO RUČNÉHO MIXÉRA	6
POPIS VÁŠHO RUČNÉHO MIXÉRA	6
Pred prvým použitím	7
Ovládacie tlačidlá.....	7
Inštalácia doplnkov.....	7
Výber rýchlosti.....	9
Používanie ručného mixéra (pre šľahacie násadce/násadce na hnetenie cesta/šľahaciu metlu).....	10
Používanie ručného mixéra (tyčový mixér).....	10
Použitie ručného mixéra (pre sekáčik).....	11
Odstráňte šľahacie násadce alebo násadce na hnetenie cesta/šľahaciu metlu/tyčový mixér/sekáčik.....	11
RIEŠENIE PROBLÉMOV	12
STAROSTLIVOSŤ A ČISTENIE.....	12
TECHNICKÉ ÚDAJE	13
Typový štítok (D 50 * Š 30 mm).....	13

DÔLEŽITÉ BEZPEČNOSTNÉ POKYNY

Prečítajte si pozorne všetky pokyny, a to aj vtedy, keď máte pocit, že tento typ spotrebiča poznáte.

- Ak nebudete spotrebič používať alebo ak ho chcete očistiť, odpojte ho od sieťovej zásuvky.
- Tento spotrebič nesmú používať osoby s obmedzenými fyzickými, zmyslovými alebo duševnými schopnosťami (vrátane detí), alebo osoby s nedostatkom skúseností a znalostí, ak nie sú pod dozorom alebo ak nedostali pokyny na používanie spotrebiča od osoby zodpovednej za ich bezpečnosť.
- Deti musia byť neustále pod dozorom, aby sa s týmto spotrebičom nehrali.
- Aby nedošlo k požiaru, úrazu elektrickým prúdom alebo zraneniu, neponárajte napájací kábel, zástrčku ani spotrebič do vody či akejkol'vek inej tekutiny.
- Nedovoľte, aby napájací kábel visel cez okraj stola alebo pracovnej dosky, aby sa dotýkal horúcich povrchov alebo aby bol zamotaný.
- Neumiestňujte tento spotrebič na plynový horák či elektrický sporák alebo do ich blízkosti, alebo na akékoľvek miesto, kde by sa dotýkal zahriatej rúry.
- Nepoužívajte akýkoľvek spotrebič s poškodeným napájacím káblom alebo zástrčkou, ak spotrebič vykazuje poruchu alebo je akokoľvek poškodený.
- Vyvarujte sa kontaktu s pohyblivými časťami.
Môžete používať gumovú škrabku, ale iba vtedy, keď prístroj nie je v prevádzke.

- Tento spotrebič je určený iba na domáce použitie. Nepoužívajte spotrebič na iné účely, než na ktoré je určený. Nepoužívajte spotrebič vonku.
- Pred čistením ho nechajte vychladnúť.
- Nepokúšajte sa tento spotrebič opravovať alebo rozoberať. Nie sú v ňom žiadne súčasti, ktoré by ste mohli sami opraviť.
- Nepripájajte spotrebič do elektrickej zásuvky, kým neboli všetky diely zostavené podľa pokynov.
- Používajte ho na suchom rovnom povrchu. Nepoužívajte ho v drezoch, na odkvapkávačoch alebo na nerovných povrchoch.
- Nemiešajte tvrdé ingrediencie alebo ovocné jadrá.
- Používajte iba originálne šľahacie násadce a násadce na hnetenie cesta dodávané k ručnému mixéru. Nikdy nepoužívajte odlišné príslušenstvo (šľahací násadec a násadce na hnetenie cesta) súčasne.
- Vždy zaistite, aby boli šľahacie násadce alebo násadce na hnetenie cesta pred zapnutím spotrebiča správne umiestnené.
- Zaobchádzajte s ručným mixérom a doplnkami opatrne. Nikdy nestrkajte prsty do nádoby na mixovanie alebo do blízkosti šľahacích násadcov či násadcov na hnetenie cesta, ak je spotrebič v prevádzke.
- Nerozoberajte tento spotrebič a nikdy sa doň nepokúšajte vkladať kovové predmety.
- Udržujte ruky, vlasy, oblečenie, špachtle a iné kuchynské pomôcky v dostatočnej vzdialenosti od pohybujúcich sa násadcov na šľahanie, ak je spotrebič v prevádzke.

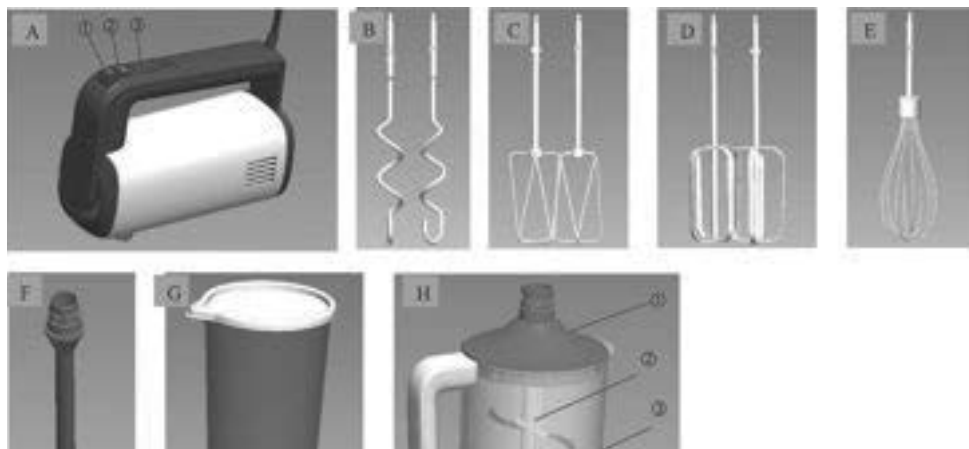
- Nikdy neponárajte tento spotrebič do vody ani inej tekutiny.
- Pred čistením vždy odstráňte z mixéra doplnky.
- Nikdy neohýbajte sieťový kábel a neomotávajte ho okolo tohto spotrebiča, pretože by mohlo dôjsť k zlomeniu kábla.
- Po ukončení používania, pred premiestnením spotrebiča, pred nasadením alebo odobraním dielov a pred čistením vždy vypnite spotrebič aj napájaciu zásuvku.
- Nepoužívajte tento spotrebič, ak stojíte na vlhkom povrchu alebo ak sú vlhké vaše ruky či spotrebič.
- Počas používania nenechávajte tento spotrebič bez dozoru.
- Nikdy nezapínajte tento spotrebič, ak je nádoba na mixovanie prázdna, inak môže dôjsť k prehriatiu motora.

Varovanie

- Ak je poškodený napájací kábel, musí ho vymeniť výrobca, jeho servisný technik alebo podobne kvalifikovaná osoba, aby bolo vylúčené akékoľvek nebezpečenstvo.
- Tento produkt nebol navrhnutý na iné použitie, než je uvedené v tejto príručke.
- Používajte iba originálne (OEM) príslušenstvo. Použitie iného než originálneho príslušenstva má za následok zvýšené nebezpečenstvo nehôd. Nenesieme zodpovednosť za akékoľvek nehody alebo poškodenia v dôsledku používania iného než originálneho príslušenstva.
Použitie neoriginálneho príslušenstva a následné poškodenie spotrebiča má za následok stratu akýchkoľvek nárokov v rámci záruky.

Uchovajte tieto pokyny!

VLASTNOSTI VÁŠHO RUČNÉHO MIXÉRA



- A) Jednotka mixéra (① Tlačidlo vysunutia, ② Pulzné tlačidlo, ③ Volič rýchlosti)
 B) Násadec na hnetenie cesta
 C) Šľahací násadec (drôt)
 D) Šľahací násadec (pás)
 E) Šľahacia metla
 F) Tyčový mixér
 G) Nádoba s vekom (pre tyčový mixér)
 H) Sekáčik (① Veko sekáčika, ② Nôž sekáčika, ③ Miska sekáčika)

POPIS VÁŠHO RUČNÉHO MIXÉRA

Blahoželáme vám ku kúpe vášho nového ručného mixéra.

Pred použitím vášho nového ručného mixéra je dôležité, aby ste si prečítali a dodržiavali všetky pokyny v tejto príručke, a to aj vtedy, keď máte pocit, že tento typ spotrebiča poznáte. Nájdite miesto na bezpečné uloženie tejto príručky na neskoršie použitie. Venujte obzvlášť pozornosť časti „DÔLEŽITÉ BEZPEČNOSTNÉ POKYNY“.

Tento spotrebič bol navrhnutý na napájanie zo štandardnej domácej sieťovej zásuvky. Nie je určený na priemyselné alebo komerčné použitie.

Pred prvým použitím

- Pred prvým použitím tohto spotrebiča odstráňte a bezpečne zlikvidujte všetok obalový materiál a reklamné štítky.
- Pred prvým použitím vášho ručného mixéra umyte šľahacie násadce, násadce na hnetenie cesta, šľahaciu metlu, tyčový mixér, nádobu a sekáčik teplou mydlovou vodou a jemnou handričkou. Opláchnite ich a dôkladne vysušte.
- **ⓘ** Pri prvom zapnutí vášho ručného mixéra môžete ucítiť zápach pochádzajúci z motora. Toto je normálne správanie; po zapnutí motora zápach zmizne.

VAROVANIE:

Nepripájajte napájací kábel do elektrickej zásuvky skôr, než pevne pripojíte príslušenstvo, ako napríklad šľahacie násadce, násadce na hnetenie cesta, šľahaciu metlu, tyčový mixér a sekáčik. Zaistite, aby bol volič rýchlosti nastavený do polohy „0“ (Vypnuté).

Ovládacie tlačidlá

- Tlačidlo vysunutia – na uvoľnenie šľahacích násadcov, násadcov na hnetenie cesta a šľahacej metly.
- Volič rýchlosti 1 – 5 – pre šľahacie násadce, násadce na hnetenie cesta, slabé, stredné a silné šľahanie šľahacou metlou; volič rýchlosti M – pre tyčový mixér a funkciu sekáčika.
- Pulzné tlačidlo – Volič rýchlosti na 1 – 4, vysoká rýchlosť, pre silné mixovanie; Volič rýchlosti na M, stlačte na spustenie funkcie tyčového mixéra a sekáčika, uvoľnite na zastavenie funkcie tyčového mixéra a sekáčika.

Inštalácia doplnkov

- Zaistite, aby bol spotrebič odpojený od napájacej zásuvky.
- Zaistite, aby bol volič rýchlosti nastavený do polohy „0“ (Vypnuté).
- Konce násady šľahacieho násadca sú tvarované tak, aby zapadli do príslušných otvorov v mixéri.

Každý pár šľahacích násadcov (drôt) a násadcov na hnetenie cesta má jeden doplnok osadený objímkou s veľkým priemerom na násade a druhý je bez objímky na násade.

Pri nasadzovaní šľahacích násadcov, násadcov na hnetenie cesta a šľahacej metly zaistite, aby boli šľahacie násadce (drôt) a násadce na hnetenie cesta s väčšou objímkou tvaru disku umiestnené do otvoru s väčšou dierou. (Obr. 1)

Pri inštalácii vyrovnajte násady a zatlačte ich dole. Vložte doplnky do otvorov tak, aby zacvakli do správnej polohy (možno ich budete musieť mierne pootočiť). Skontrolujte, či prebehla inštalácia bezpečne a správne



Šľahací násadec (drôt) a násadec na hnetenie cesta s objímkou

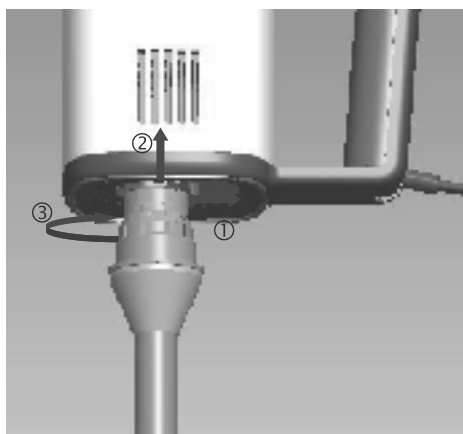
Otvor s väčšou dierou

Obr. 1

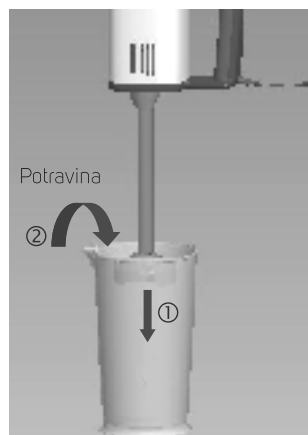
- Tyčový mixér je vytvarovaný tak, aby zapadol do príslušných otvorov v mixéri.

Pred vložení tyčového mixéra do dvierok mixéra najprv použite hlavu tyčového mixéra na zdvihnutie dvierok mixéra, potom ho zatlačte dole a nakoniec ho otočte proti smeru hodinových ručičiek tak, aby zacvakol do správnej polohy (ak nepočujete zacvaknutie do správnej polohy, budete ho musieť zatlačiť dole a otáčať proti smeru hodinových ručičiek, kým sa hlava skutočne nedotkne dolnej plochy). Skontrolujte, či prebehla inštalácia bezpečne a správne. (Obr. 2)

Potom ho môžete vložiť do nádob s potravinami. (Obr. 3)



Obr. 2



Obr. 3

- Konce mixéra sú vytvarované tak, aby zapadli do príslušných otvorov v sekáčiku.

Pred vložení potravín do misky sekáčika musíte vložiť do misky sekáčika nôž sekáčika. (Obr. 4)

VAROVANIE:

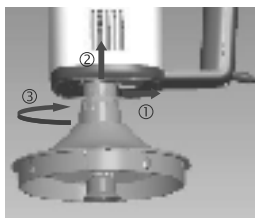
Nôž sekáčika je veľmi ostrý, buďte, prosím, opatrní!

Pred vložením veka sekáčika do dvierok mixéra najprv použite hlavu veka sekáčika na zdvihnutie dvierok mixéra, potom ho zatlačte dole a nakoniec ho otočte proti smeru hodinových ručičiek tak, aby zacvaklo do správnej polohy (ak nepočujete zacvaknutie do správnej polohy, budete ho musieť zatlačiť dole a otáčať proti smeru hodinových ručičiek, kým hlava skutočne nedosiahne dolnú plochu). Skontrolujte, či prebehla inštalácia bezpečne a správne. (Obr. 5)

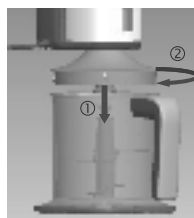
Vloženie mixéra s vekom sekáčika do misky sekáčika, potom otočenie mixéra v smere hodinových ručičiek tak, aby zacvaklo do správnej polohy (obr. 6). Skontrolujte, či prebehla inštalácia bezpečne a správne. Ak je vloženie veka sekáčika do misky sekáčika ťažké, otočte, prosím, o určitý uhol konektor pohonu na veku sekáčika. (Obr. 7).



Obr. 4



Obr. 5



Obr. 6



Obr. 7

Výber rýchlosti

Odporúčanie pre rýchlosť:

Nastavenie rýchlosti	Činnosť	Popis
1	Miesenie/miešanie	Najnižšia rýchlosť na miešanie väčších množstiev a suchých potravín, ako napríklad múky a cukru. Na miesenie 2 ingrediencií, ako napríklad miešanie šľahaného vaječného bielka do zmesi.
2	Pomalé šľahanie	Ideálna rýchlosť na pridávanie tekutín alebo mixovanie šalátových dresingov.
3	Miesenie/šľahanie	Pre cesto alebo koláčovú zmes.
4	Mixovanie/rýchle šľahanie	Na šľahanie smotany. Na mixovanie masla a cukru, šľahanie studených pudingov, krémov a pod.
5	Šľahanie	Na šľahanie vajíčok, snehových pusínok, zemiakovej kaše, šľahanie smotany, majonézy a pod.
M	Týčový mixér	Výroba rôznych druhov ovocných a zeleninových štiav
	Sekáčik	Spracovanie potravín, mäsa alebo zeleniny.

Používanie ručného mixéra (pre šľahacie násadce/násadce na hnetenie cesta/šľahaciu metlu)

- Zaistite, aby boli šľahacie násadce/násadce na hnetenie cesta/šľahacia metla vložené do príslušných otvorov a pevne zacvaknuté do správnej polohy.
- Pripojte spotrebič do štandardnej elektrickej zásuvky v domácnosti.
- Vložte ingrediencie do nádoby vhodnej na mixovanie, uchopte rukoväť mixéra a umiestnite šľahacie násadce/násadce na hnetenie cesta/šľahaciu metlu doprostred mixovanej potraviny.
- Aby nedošlo pri zapnutí spotrebiča k vystreknutiu ingrediencií a nebezpečenstvu zranenia, zaistite, aby boli šľahacie násadce/násadce na hnetenie cesta/šľahacia metla pred zapnutím ponorené do spracovávanej potraviny. Aby nedošlo k rozstreknutiu, začnite vždy mixovať s nižším nastavením rýchlosti na „1“. Pomaly zvyšujte rýchlosť na požadovanú hodnotu pre mixovanie (nastavenie 1 je pre najnižšiu rýchlosť, 5 pre najvyššiu rýchlosť). Nastavenie rýchlosti je možné počas používania meniť otočením voliča rýchlosti dopredu alebo dozadu.
- Kedykoľvek a pri akomkoľvek nastavení (s výnimkou „0“) môžete použiť pulzné tlačidlo. Stlačte pulzné tlačidlo na zvýšenie výkonu spotrebiča a jeho rýchlosti na maximum (nastavenie rýchlosti „5“). Pulzné tlačidlo je ekvivalentné nastavenie „5“, takže ak je nastavené „5“, stlačenie pulzného tlačidla nedodá žiadny ďalší výkon.
- Premiestňujte mixér počas mixovania slabým kruhovým pohybom, aby bolo mixovanie šľahacími násadcami/násadcami na hnetenie cesta/šľahacou metlou účinné. Občas mixér zastavte a pomocou plastovej špachtle zoškrabte strany nádoby na mixovanie; potom pokračujte v mixovaní.

UPOZORNENIE: Nedovoľte, aby šľahacie násadce alebo násadce na hnetenie cesta počas prevádzky mixéra narážali do strán nádoby na mixovanie, pretože by to spôsobilo poškodenie šľahacích násadcov/násadcov na hnetenie cesta/šľahacej metly.

UPOZORNENIE: Aby nedošlo k prehriatiu mixéra, nepoužívajte ho viac než 10 minút bez prerušenia. Pred opätovným spustením nechajte spotrebič vychladnúť na izbovú teplotu.

Používanie ručného mixéra (tyčový mixér)

- Zaistite, aby bol tyčový mixér vložený do dvierok mixéra a pevne zacvaknutý do správnej polohy.
- Pripojte spotrebič do štandardnej elektrickej zásuvky v domácnosti.
- Vložte ovocie/zeleninu a vodu do nádoby na miešanie, uchopte rukoväť mixéra a umiestnite hranu tyčového mixéra proti vnútornému povrchu nádoby.
- Aby po zapnutí spotrebiča ingrediencie nevystriekli a nehrozilo nebezpečenstvo zranenia, držte nádobu jednou rukou. Potom nastavte volič rýchlosti na „M“. Stlačte pulzné tlačidlo na spustenie spotrebiča.
- Na zlepšenie miešania môžete mixér po vnútornom povrchu nádoby posúvať mierne hore a dole.

UPOZORNENIE: Aby nedošlo k prehriatiu mixéra, nepoužívajte ho dlhšie než 1 minútu bez prerušenia a nemiešajte tvrdé potraviny, ako napríklad mrkvu. Pred opätovným spustením nechajte spotrebič vychladnúť na izbovú teplotu.

Použitie ručného mixéra (pre sekáčik)

- Zaistite, aby bol sekáčik vložený do dvierok mixéra a bezpečne zacvaknutý na svoje miesto.
- Zaistite vloženie ingrediencií z mäsa/zeleniny do misky sekáčika s cieľom spracovania.
- Pripojte spotrebič do štandardnej elektrickej zásuvky v domácnosti.
- Vložte ingrediencie z mäsa/zeleniny do misky sekáčika s cieľom spracovania. Uchopte rukoväť mixéra.
- Nastavte volič rýchlosti na „M“. Stlačte pulzné tlačidlo na spustenie spotrebiča.
- Pre kvalitnejšie miešanie môžete každých niekoľko sekúnd mierne stlačiť a podržať pulzné tlačidlo.

UPOZORNENIE: Aby nedošlo k prehriatiu mixéra, nepoužívajte ho viac než 1 minútu bez prerušenia. Pred opätovným spustením nechajte spotrebič vychladnúť na izbovú teplotu.

Odstráňte šľahacie násadce alebo násadce na hnetenie cesta/šľahaciu metlu/tyčový mixér/sekáčik

- Nastavte volič rýchlosti do polohy „0“ (Vypnuté).
- Vypnite spotrebič v mieste napájania.
- Odpojte spotrebič od zdroja energie.
- Pre násadce na hnetenie cesta/šľahacie násadce/šľahaciu metlu – Stlačte tlačidlo vysunutia, vyberte šľahacie násadce/násadce na hnetenie cesta/šľahaciu metlu z mixéra.
- Pre tyčový mixér – Otočte tyčový mixér v smere hodinových ručičiek až na koniec a vytiahnite ho z dvierok mixéra.
- Pre sekáčik – Otočte jednotku mixéra proti smeru hodinových ručičiek až na koniec a vytiahnite ju zo sekáčika.

Poznámka: Nikdy sa nepokúšajte uvoľňovať šľahacie násadce/násadce na hnetenie cesta/šľahaciu metlu alebo otáčať tyčovým mixérom/sekáčikom počas používania ručného mixéra. Vyberte doplnky (šľahacie násadce/násadce na hnetenie cesta/šľahaciu metlu/tyčový mixér/sekáčik) z nádoby až po úplnom zastavení všetkých dielov.

Poznámka: Ak stláčate tlačidlo vysunutia na odstránenie doplnkov, vždy musí byť nastavený volič rýchlosti na „0“ (vypnuté).

RIEŠENIE PROBLÉMOV

Porucha:	Príčina:	Náprava:
Spotrebič nefunguje.	Sieťová zástrčka nie je pripojená do elektrickej zásuvky.	Pripojte sieťovú zástrčku do elektrickej zásuvky.
	Spotrebič nie je zapnutý.	Použite prepínač so 6 polohami na zapnutie spotrebiča.
Doplňky sa nedajú odstrániť.	Nestlačili ste tlačidlo vysunutia.	Stlačte tlačidlo vysunutia na odstránenie doplnkov zo spotrebiča.
Spotrebič nemixuje.	Doplňky neboli úplne zacvaknuté.	Zaistite, aby boli doplnky zatlačené do otvorov tak, aby ste začuli a ucítili zacvaknutie do správnej polohy.
Tyčový mixér alebo sekáčik nefunguje	Volič rýchlosti je na 1 – 5. Nebolo stlačené pulzné tlačidlo	Nastavte volič rýchlosti na M. Stlačte pulzné tlačidlo

STAROSTLIVOSŤ A ČISTENIE

- NEPONÁRAJTE tento spotrebič do vody ani inej tekutiny.
- Vždy zaistite, aby bol volič rýchlosti v polohe „0“ (Vypnuté) a aby bolo na napájacej zásuvke vypnuté napájanie. Potom vyťahnite zástrčku z napájacej zásuvky.
- Pre násadce na hnetenie cesta/šľahacie násadce/šľahaciu metlu – Stlačte tlačidlo vysunutia, vyberte šľahacie násadce/násadce na hnetenie cesta/šľahaciu metlu z mixéra.
- Pre tyčový mixér – Otočte tyčový mixér v smere hodinových ručičiek až na koniec a vyťahnite ho z dvierok mixéra.
- Pre sekáčik – Otočte jednotku mixéra proti smeru hodinových ručičiek až na koniec a vyťahnite ju zo sekáčika.
- Pomocou gumovej špachtle očistite šľahacie násadce/násadce na hnetenie cesta/šľahaciu metlu/tyčový mixér/nôž sekáčika/misku sekáčika/veko sekáčika. Potom umyte vnútorný povrch šľahacích násadcov/násadcov na hnetenie cesta/šľahacej metly/tyčového mixéra/noža sekáčika/misky sekáčika/veka sekáčika teplou mydlovou vodou a jemnou handričkou. Opláchnite ich a dôkladne vysušte.
- Čistenie tyčového mixéra – tyčový mixér môžete takisto umyť naplnením nádoby čistou vodou a potom jej zamiešaním.
- Neodporúčame čistiť doplnky v umývačke riadu.
- Očistite telo mixéra a vonkajší povrch veka sekáčika jemnou vlhkou handričkou a vysušte ho.
- Odstráňte z napájacieho kábla akékoľvek nadbytočné časti potravín.
- Nikdy nepoužívajte na čistenie ostré čistiace produkty, čistiace produkty s brúsnyim účinkom alebo predmety s ostrými hranami.
- Umiestnite spotrebič a doplnky na suché a chladné miesto.


VAROVANIE:

Nôž sekáča je veľmi ostrý, budte prosím pri jeho čistení opatrní!

TECHNICKÉ ÚDAJE

Zdroj energie.....220 – 240 V, ~ 50 Hz

Spotreba energie.....500 W

Trieda ochrany.....II 

Max. čas prevádzky.....10 minút – pre sťahací násadec, násadec na hnetenie cesta, sťahaciu metlu; 1 minúta – pre tyčový mixér; 10 sekúnd – pre sekáčik

Typový štítok (D 50 * Š 30 mm)

PHHM 6325
AC 220–240 V, 50 Hz, 500 W
Výrobca/Importér:
FAST ČR, a. s.
Praha 10, Černokostecká 2111
CZ-10000; ČESKÁ REPUBLIKA



Poznámka: V dôsledku neustáleho vylepšovania sa dizajn a technické údaje vášho produktu môžu mierne líšiť od obrázka uvedeného na obale.



Obal tohto produktu je vyrobený z recyklovateľných materiálov. Obalový materiál môžete odovzdať do niektorého z verejných zberných dvorov.



Vyradené spotrebiče nepatria do domového odpadu! Aby boli splnené požiadavky platnej legislatívy, odneste vyradené spotrebiče po uplynutí ich životnosti do zberného dvora, kde sa vykoná ich roztriedenie. Týmto spôsobom je možné recyklovať akýkoľvek cenný materiál nachádzajúci sa v starých spotrebičoch a je chránené aj životné prostredie. Zodpovedné miestne úrady alebo ich prevádzkovatelia spracovania odpadu.

POKYNY A INFORMÁCIE O ZAOBCHÁDZANÍ S POUŽITÝM OBALOM

Použitý obalový materiál odložte na miesto určené obcou na ukladanie odpadu.



LIKVIDÁCIA POUŽITÝCH ELEKTRICKÝCH A ELEKTRONICKÝCH ZARIADENÍ

Tento symbol na produktoch alebo v sprievodných dokumentoch znamená, že použité elektrické a elektronické výrobky nesmú byť pridané do bežného komunálneho odpadu. Pre správnu likvidáciu, obnovu a recykláciu odovzdajte tieto výrobky na určené zberné miesta. Alternatívne v niektorých krajinách Európskej únie alebo v iných európskych krajinách môžete vrátiť svoje výrobky miestnemu predajcovi pri kúpe ekvivalentného nového produktu. Správnu likvidáciu tohto produktu pomôžete zachovať cenné prírodné zdroje a napomáhate prevencii potenciálnych negatívnych dopadov na životné prostredie a ľudské zdravie, čo by mohli byť dôsledky nesprávnej likvidácie odpadov. Ďalšie podrobnosti si vyžadajte od miestneho úradu alebo najbližšieho zberného miesta. Pri nesprávnej likvidácii tohto druhu odpadu môžu byť v súlade s národnými predpismi udelené pokuty.

Pre podnikové subjekty v krajinách Európskej únie

Ak chcete likvidovať elektrické a elektronické zariadenia, vyžadajte si potrebné informácie od svojho predajcu alebo dodávateľa.

Likvidácia v ostatných krajinách mimo Európskej únie

Tento symbol je platný v Európskej únii. Ak chcete tento výrobok zlikvidovať, vyžadajte si potrebné informácie o správnom spôsobe likvidácie od miestnych úradov alebo od svojho predajcu.



Tento výrobok spĺňa všetky základné požiadavky smerníc EÚ, ktoré sa naň vzťahujú.

Zmeny v texte, dizajne a technických špecifikáciách sa môžu meniť bez predchádzajúceho upozornenia a vyhradzuje si právo na ich zmenu.

Čeština je pôvodná verzia.

Adresa výrobcu: PHILCO, Praha 10, Černokostecká 2111, CZ-10000; CZECH REPUBLIC

Tisztelt Vásárló,
Köszönjük, hogy megvásárolta a PHILCO márka termékét. Annak érdekében, hogy a készüléknek jó hasznát vegye, olvasson el minden utasítást ebben a felhasználói kézikönyvben.

TARTALOM

FONTOS BIZTONSÁGI UTASÍTÁSOK.....	3
A KÉZI KEVERŐ TULAJDONSÁGAI.....	6
A KÉZI KEVERŐ LEÍRÁSA.....	6
Az első használat előtt.....	6
Kezelőgombok.....	7
Kiegészítők installációja.....	7
A sebesség megválasztása.....	9
Kézi keverő használata (keverők/dagasztó fejek/habverők).....	9
Kézi keverő használata (botmixer).....	10
A kézi keverő használata (aprítógéphez).....	10
Távolítsa el a keverőket/ dagasztó fejeket/habverőket/botmixert/aprítógépet.....	11
PROBLÉMAMEGOLDÁS.....	11
KARBANTARTÁS ÉS TISZTÍTÁS.....	12
MŰSZAKI ADATOK.....	13
Típuscímke (H 50 * SZ 30 mm).....	13

FONTOS BIZTONSÁGI UTASÍTÁSOK

Figyelmesen olvassa el az utasításokat akkor is, ha úgy érzi, hogy ezt a fajta készüléket ismeri.

- Ha nem használja a készüléket, vagy ha megszeretné tisztítani, mindig húzza ki a hálózati kábelt a hálózati aljzatból.
- Ezt a készüléket nem használhatják csökkent fizikai, szellemi vagy mentális képességű személyek (beleértve a gyermekeket is), elégtelen tapasztalattal és tudással rendelkező személyek, ha nincsenek felügyelet alatt, vagy nem kaptak tájékoztatást a berendezés használatára vonatkozóan a biztonságukért felelős személytől.
- A gyermekeknek állandóan felügyelet alatt kell lenniük, hogy ne játszanak a készülékkel.

Az áramütés elkerülése végett ne merítse a tápkábelt, a villásdugót vagy a készüléket vízbe vagy más folyadékba.

- Ne engedje, hogy a tápkábel lelógjon az asztról vagy a munkafelületről, hogy érintkezzen forró felületekkel vagy össze legyen tekeredve.
- A készüléket ne tegye forró gáz- vagy villanytűzhelyre, se annak közelébe, vagy olyan helyre, ahol forró sütővel érintkezhetne.
- Ne használja a készüléket, ha a tápkábel vagy a csatlakozó sérült, vagy ha a készülék hibát mutat, vagy más módon sérült.
- Ne érjen a mozgó alkatrészekhez. Használjon gumitisztítót, de csak akkor, ha a gép ki van kapcsolva.
- A készülék csak otthoni használatra készült.

A készüléket a rendeltetésétől eltérő célokra használni tilos. Ne használja a berendezést a szabadban.

- Tisztítás előtt hagyja a készüléket kihűlni.
- A készüléket ne akarja megjavítani vagy szétszedni. A készülék nem tartalmaz olyan alkatrészeket, amelyeket önállóan megjavíthatna.
- Ne csatlakoztassa a készüléket az elektromos aljzathoz, amíg az összes alkatrész utasítások szerint össze nem lett szerelve.
- Csak száraz, sima felületen használja. Ne használja mosogatóban, csöpögtetőn vagy egyenetlen felületen.
- Ne keverjen kemény hozzávalókat vagy gyümölcsmagokat.
- Csak eredeti keverőket és habverőket használjon, melyek a kézi keverőhöz mellékelve voltak. Soha ne használjon különböző tartozékokat (keverő, habverő, dagasztó fej) egyszerre.
- Mindig győződjön meg, hogy a keverők vagy a dagasztó fejek helyesen vannak elhelyezve, mielőtt bekapcsolná a készüléket.
- Óvatosan kezelje a kézi keverőt és a tartozékokat. Soha ne tegye az ujjait a keverőedénybe vagy a habverők vagy keverők közelébe, amikor a készülék működik.
- Ne szedje szét a készüléket, és soha ne próbáljon fémtárgyakat belehelyezni.
- A készülék használatakor tartsa távol a kezét, haját, ruházatát, spatuláját és más konyhai eszközöket a mozgó fejektől.
- A készüléket soha ne merítse vízbe vagy más folyadékba.

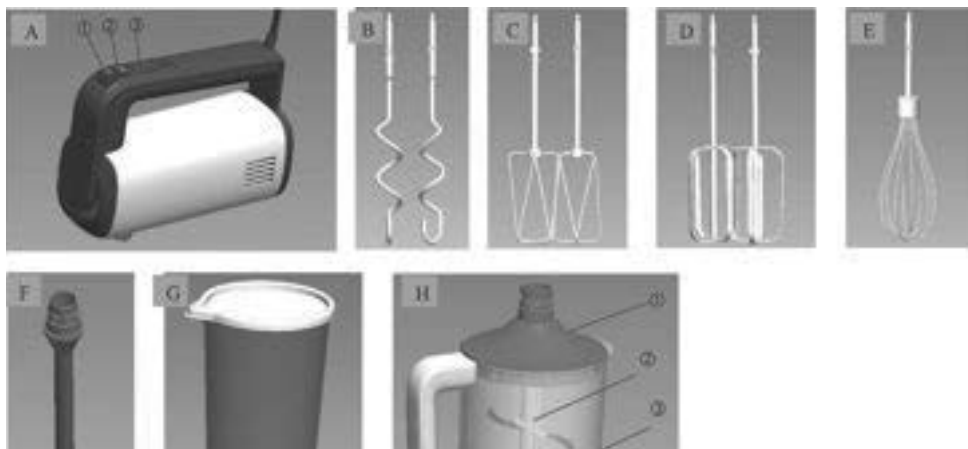
- Használat előtt távolítsa el a keverőről a kiegészítőket.
- A hálózati vezetéket ne tekerje rá a készülék házára, és ne tekerje szorosan össze, a vezeték elszakadhat.
- Miután befejezte a készülék használatát, áthelyezése előtt, az alkatrészek felhelyezése vagy eltávolítása és a tisztítás előtt, mindig kapcsolja ki a készüléket és a tápegységet is.
- Ne használja a készüléket, ha nedves felületen áll vagy ha a keze vagy a készülék nedves.
- Működés közben a készüléket ne hagyja felügyelet nélkül.
- Soha ne kapcsolja be a készüléket, ha a keverőedény üres, ellenkező esetben a motor túlmelegedhet.

Figyelmeztetés

- Ha a tápkábel megsérül, a balesetek elkerülése érdekében ki kell cseréltetni a gyártóval, szerelővel vagy hasonló képzettségű személlyel.
- Ezt a terméket nem a jelen kézikönyvben leírtaktól eltérő használatra tervezték.
- Csak eredeti kiegészítőket (OEM) használjon. A nem eredeti tartozékok használata megnövekedett balesetveszélyt eredményez. Nem vállalunk felelősséget a nem eredeti tartozékok használatából eredő balesetekért vagy károkért. A nem eredeti tartozékok használata a készülék károsodáshoz vezethet és a garanciális igények elvesztését okozza.

Őrizze meg ezt a használati útmutatót!

A KÉZI KEVERŐ TULAJDONSÁGAI



A) Keverőegység (① kioldógomb, ② Impulzus gomb, ③ Sebesség-választó)

B) Tésztadagasztó fej

C) Habverő (drót)

D) Habverő (szalag)

E) Habverő

F) Botmixer

G) Fedeles tartály (botmixerhez)

H) Aprító (① Aprító fedele, ② Aprító kése, ③ Aprító tála)

A KÉZI KEVERŐ LEÍRÁSA

Gratulálunk Önnek az új turmixgép megvásárlásához.

Az új kézi keverő használata előtt fontos, hogy olvassa el és tartsa be az útmutatóban található utasításokat, még akkor is, ha úgy érzi, hogy ismeri az ilyen típusú készüléket. Keressen helyet a kézikönyv biztonságos tárolására későbbi felhasználásra. Nagy figyelmet szenteljen a „FONTOS BIZTONSÁGI UTASÍTÁSOK” résznek.

Ez a készülék úgy lett kialakítva, hogy egy szabványos otthoni hálózati aljzattól lehessen táplálva. Nem használható ipari vagy üzleti célokra.

Az első használat előtt

- A készülék első használata előtt távolítson el, és biztonságos módon semmisítsen meg minden csomagolóanyagot és reklámcímkét.
- A keverő első használata előtt mosson el minden kiegészítőt meleg tisztítószeres vízzel és puha ronggyal. Öblítse el és szárítsa meg.

- ① Első használatkor kellemetlen szagot érezhet a motorból. Ez normális jelenség a motor használata közben a szag elmúlik.

FIGYELEM:

Ne csatlakoztassa a tápkábelt az elektromos aljzathoz, mielőtt csatlakoztatná a kiegészítőket, például a keverőket, dagasztó fejeket, habverőket, botmixert és az aprítót. Győződjön meg róla, hogy a sebességválasztó "0" -ra (kikapcs) van állítva.

Kezelőgombok

- Kioldógomb – habverők, dagasztó fejek és keverők kilazításához.
- Sebesség-választó 1–5 – keverőkhöz, dagasztó fejekhez, alacsony, közepes, gyors keverés habverővel; sebesség-választó M – botmixerhez és aprító funkcióhoz.
- Impulzus gomb – Sebesség-választó 1–4, nagy sebesség, erős keveréshez; Válassza ki a sebesség-választót M állásba, nyomja meg a gombot, hogy elindítsa a botmixert és az aprító funkciót, a botmixer és az aprító leállításához engedje fel.

Kiegészítők installációja

- Győződjön meg, hogy a készülék ki van húzva a tápegységből.
- Győződjön meg róla, hogy a sebesség-választó "0" -ra (kikapcs) van állítva.
- A keverő végei úgy vannak kialakítva, hogy illeszkedjenek a turmixgép megfelelő nyílásaiba. Minden pár habverő (drót) és tésztadagasztó esetében az egyik darab nagy átmérőjű hüvellyel van ellátva és a másik hüvely nélküli.

A kiegészítők felhelyezésekor ügyeljen, hogy a nagyobb hüvellyel rendelkező habverők (drót) és a tésztadagasztó fejek a nagyobb lyukkal rendelkező nyílásba kerüljenek. (Ábra 1)

Szereléskor egyenesítse ki a tartozékokat, és nyomja lefelé. Helyezze be a tartozékokat a lyukakba úgy, hogy a megfelelő helyre kattanjanak (esetleg kicsit fordítsa el őket). Ellenőrizze, hogy az installáció biztonságos és helyes



Habverő (drót) és dagasztó fej foglallattal

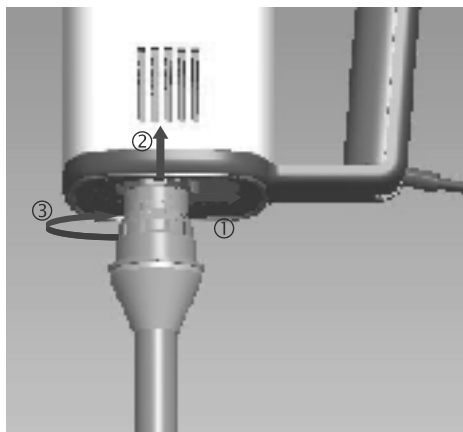
Nyílás nagyobb lyukkal

ábra 1

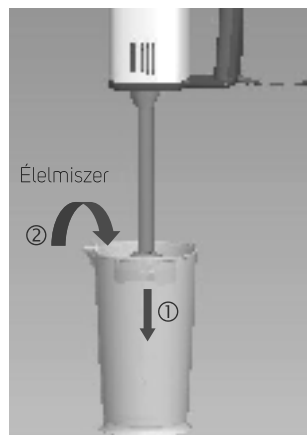
- A botmixer úgy van kialakítva, hogy illeszkedjen a keverő megfelelő lyukaiba.

Mielőtt a botmixert behelyezi a keverő ajtájába, először használja a keverőfejet, hogy felemelje a keverőajtó ajtáját, majd nyomja lefelé és forgassa az óramutató járásával ellentétes irányba, amíg a helyére nem kattán (ha nem hallja a kattánást helyes helyzetbe, akkor le kell nyomnia és fordítsa el az óramutató járásával ellentétes irányba, amíg a fej ténylegesen nem érinti az alsó felületet). Ellenőrizze, hogy az installáció biztonságos és helyes. (Ábra 2)

Majd behelyezheti az ételmoszeres tálba. (Ábra 3)



ábra 2



ábra 3

- A turmixgép végei úgy vannak kialakítva, hogy illeszkedjenek az aprító megfelelő lyukaiba. Mielőtt az ételt a aprítógép tálába helyezi, a kést helyezze a tálba. (Ábra 4)

FIGYELEM:

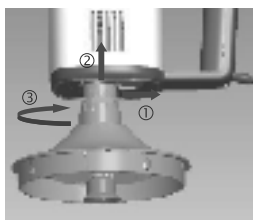
Az aprító kése nagyon éles, legyen nagyon óvatos!

Mielőtt az aprítógép fedelét behelyezi a keverő ajtájába, először használja a az aprítógép fedelét, hogy felemelje a keverőajtó ajtáját, majd nyomja lefelé és forgassa az óramutató járásával ellentétes irányba, amíg a helyére nem kattán (ha nem hallja a kattánást helyes helyzetbe, akkor le kell nyomnia és fordítsa el az óramutató járásával ellentétes irányba, amíg a fej ténylegesen nem érinti az alsó felületet). Ellenőrizze, hogy az installáció biztonságos és helyes. (Ábra 5)

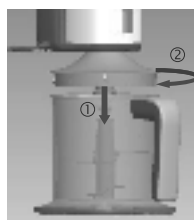
Helyezze a keverőt a az aprítógép fedelével az aprítótálba, majd fordítsa el a keverőt az óramutató járásával megegyező irányba, amíg be nem kattán a helyére (ábra 6). Ellenőrizze, hogy az installáció biztonságos és helyes. Ha az aprítógép fedelét nehézkes az aprítótálba helyezni, fordítsa el az aprítógép fedelének meghajtócsatlakozóját bizonyos szögben. (Ábra 7).



ábra 4



ábra 5



ábra 6



ábra 7

A sebesség megválasztása

Sebességgel kapcsolatos ajánlatok:

Sebesség beállítása	Működés	Leírás
1	Dagasztás/keverés	Legalacsonyabb sebesség a nagyobb mennyiségek és a száraz élelmiszerek, például a liszt és a cukor keveréséhez. 2 összetevő keverése, mint például a kevert tojásfehérje hozzáadása a keverékbe.
2	Lassú hab verés	Ideális sebesség a folyadékok hozzáadásához vagy saláta öntetek keveréséhez.
3	Dagasztás/hab verés	Tésztához vagy kalácskeverékhez.
4	Keverés/gyors hab verés	Tejszínhab készítéséhez. Vaj és cukor keveréséhez, hideg pudingok, krémek, stb. keveréséhez.
5	Habosítás	Tojások, habcsók, burgonyapüré, tejszínhab, majonéz stb. keveréséhez.
M	Botmixer	Különféle gyümölcs- és zöldséglevelek készítése
	Daraboló	Élelmiszer, húsok és zöldségek feldolgozása

Kézi keverő használata (keverők/dagasztó fejek/habverők)

- Győződjön meg róla, hogy a tartozékok a megfelelő nyílásokba vannak illesztve, és határozottan a helyes helyzetbe kattantak.

Csatlakoztassa a készüléket hagyományos háztartási elektromos aljzatba.

- Helyezze a hozzávalókat a keverőedénybe, fogja meg a keverőfogantyúját, és helyezze a dagasztó fejeket/keverőket/habverőket a kevert élelmiszerek középre.
- Annak megakadályozása érdekében, hogy a készülék ne fröcskölje szét az összetevőket és ne történjen sérülés, győződjön meg, hogy a dagasztó fejeket/keverőket/habverőket még a bekapcsolás előtt a feldolgozott élelmiszerbe merítette. A szélfröcskölés megakadályozása érdekében mindig a legkisebb, „1” sebességen kezdje a keverést. Lassan növelje a sebességet a kívánt keverési értékre

(1 a legalacsonyabb sebesség, 5 a legmagasabb sebesség). A sebesség beállítás használat közben megváltoztatható a sebesség-választó előre vagy hátra történő elforgatásával.

- Az impulzus gombot bármikor és bármely beállításban (kivéve "0") használhatja. Nyomja meg az impulzus gombot a teljesítmény növeléséhez és a maximális sebességhez (az "5" sebességbeállítás). Az impulzus gomb egyenértékű az "5" értékkel, így ha az "5" be van állítva, az impulzus gomb megnyomása nem növeli az energiát.
- Mozgassa a keverőt enyhe körkörös mozdulatokkal keverés közben, hogy hatékony legyen a dagasztó fejekkel/keverőkkel/habverőkkel történő keverés. Időnként állítsa le a keverőt és a keverődény oldalát egy műanyag spatulával húzza le; majd folytassa a keverést.

FIGYELMEZTETÉS: Ne engedje, hogy a keverőben a keverők és a dagasztó fejek a keverődény oldalához verődjenek, mivel ez károsíthatja a keverőket/dagasztó fejeket/habverőket.

FIGYELMEZTETÉS: A keverő túlmelegedésének elkerülése érdekében ne használja több mint 10 percig megszakítás nélkül. Az újbóli használat előtt várja meg, amíg a készülék szobahőmérsékletre hűl.

Kézi keverő használata (botmixer)

- Győződjön meg, hogy a botmixer helyesen van a keverő ajtájába helyezve és határozottan a helyes helyzetbe kattant.
- Csatlakoztassa a készüléket hagyományos háztartási elektromos aljzatba.
- Tegye a gyümölcsöt/zöldséget és a vizet a keverődénybe, fogja meg a keverőfogantyút, és helyezze a botmixer élét a keverődény belső felületéhez.
- Annak érdekében, hogy a készülék bekapcsolásakor az összetevők ne fröcsköljenek ki, és elkerülje a sérülés kockázatát, tartsa egy kézzel keverőtálat. Aztán állítsa a sebességválasztót az „M” pozícióba. Nyomja meg az impulzus gombot a készülék beindításához.
- A keverés minőségének javítása érdekében a keverőt kissé felfelé és lefelé mozgathatja a keverőtál belső felületén.

FIGYELMEZTETÉS: A keverő túlmelegedésének elkerülése érdekében ne használja több mint 1 percig megszakítás nélkül, és ne keverjen olyan kemény ételiszert, mint a sárgarépa. Az újbóli használat előtt várja meg, amíg a készülék szobahőmérsékletre hűl.

A kézi keverő használata (aprítógéphez)

- Győződjön meg, hogy az aprítót a keverő ajtájába helyezte és biztonságosan rögzítette a helyére.
- Győződjön meg róla, hogy a hús/növényi összetevők az edénybe kerültek.
- Csatlakoztassa a készüléket hagyományos háztartási elektromos aljzatba.
- Helyezze a hús/növényi összetevőket az edénybe. Fogja meg a keverő markolatát.
- Állítsa a sebesség-választót az „M” pozícióba. Nyomja meg az impulzus gombot a készülék beindításához.
- A jobb keverés érdekében néhány másodpercenként nyomja meg az impulzusgombot.

FIGYELMEZTETÉS: A keverő túlmelegedésének elkerülése érdekében ne használja több mint 1 percig megszakítás nélkül. Az újbóli használat előtt várja meg, amíg a készülék szobahőmérsékletre hűl.

Távolítsa el a keverőket/ dagasztó fejeket/habverőket/botmixert/aprítógépet

- Állítsa a sebességválasztót a „O” (kikapcs) pozícióba.
- Kapcsolja le a készüléket a tápfeszültségről.
- Húzza ki a készüléket a hálózatról.
- A keverők/ dagasztó fejek/habverők esetében – nyomja meg a kioldó gombot, vegye ki a keverőket/ dagasztó fejeket/habverőket a keverőből.
- A botmixer esetében – Fordítsa el a botmixert az óramutató járásával megegyező irányban egész a végéig, és húzza ki a keverő ajtajából.
- Az aprítógép esetében – Fordítsa el a keverőegységet az óramutató járásával ellentétes irányba egész a végéig, és húzza ki az aprítógépből.

Megjegyzés: Soha ne próbálja meg kiláztatni a dagasztó fejeket/keverőket/ habverőt, vagy elforgatni a botmixert/aprítót a kézi keverő használata közben. Az összes tartozékot (habverő/dagasztó fej/keverő/ botmixer/aprító) a tából csak akkor távolítsa el, amikor már minden rész leállt.

Megjegyzés: Ha megnyomja a kioldógombot a tartozékok eltávolításához, a sebesség-választót mindig "O" (kikapcs) állásba kell állítani.

PROBLÉMAMEGOLDÁS

Hiba:	Ok:	Megoldás:
A berendezés nem működik.	A dugó nincs az elektromos aljzatba csatlakoztatva.	Csatlakoztassa a hálózati dugót a hálózati aljzatba.
	Nincs bekapcsolva a készülék.	Kapcsolja be a készüléket 6 pozíciós kapcsolóval.
A tartozékok nem távolíthatók el.	Nem nyomta meg a kioldó gombot.	Nyomja meg a kioldógombot a tartozékok eltávolításához a készülékből.
A készülék nem kever.	A tartozékok nem voltak teljesen a helyükön.	Győződjön meg arról, hogy a tartozékok a nyílásokban vannak, úgy hogy hallja és érezi a megfelelő helyzetbe kattanást.
A botmixer vagy az aprító nem működik	A sebesség-választó az 1-5 van Az impulzus gomb nincs lenyomva	Állítsa a sebesség-választót az „M” pozícióba. Nyomja meg az impulzus gombot

KARBANTARTÁS ÉS TISZTÍTÁS

A készüléket soha NE MERÍTSE vízbe vagy más folyadékba.

- Mindig győződjön meg arról, hogy a sebesség-választó a "0" (Kikapcs) állásban van, és a tápegység ki van kapcsolva. Ezután távolítsa el a dugót a konnektorból.
- A keverők/ dagasztó fejek/habverők esetében – nyomja meg a kioldó gombot, vegye ki a keverőket/ dagasztó fejeket/habverőket a keverőből.
- A botmixer esetében – Fordítsa el a botmixert az óramutató járásával megegyező irányban egész a végéig, és húzza ki a keverő ajtajából.
- Az aprítógép esetében – Fordítsa el a keverőegységet az óramutató járásával ellentétes irányba egész a végéig, és húzza ki az aprítógépből.
- A gumi spatulya segítségével tisztítsa meg a keverőket/ dagasztó fejeket/habverőket/botmixert/aprítókést/ aprítótálat/aprító fedelet. Majd a keverőket/ dagasztó fejeket/habverőket/botmixert/aprítókést/aprítótálat/ aprító fedelet mossa el meleg tisztítószeres vízzel és puha ronggyal. Öblítse el és szárítsa meg.
- A botmixer tisztítása – a botmixert úgy mossa el, hogya tálat megtölti tiszta vízzel, majd megkeveri.
- Nem javasoljuk, hogy a kiegészítőket mosogatógépben mossa.
- Tisztítsa meg a keverőtestet és az aprítógép fedelét nedves ruhával, majd szárítsa meg.
- A tápkábelről távolítson el minden esetleges ételdarabot.
- A tisztításhoz soha ne használjon éles tisztítószereket, súroló hatású tisztítószereket vagy éles tárgyakat.
- Helyezze a készüléket és a tartozékait száraz hűvös helyre.

FIGYELEM:

Az aprító kése nagyon éles, tisztításakor legyen nagyon óvatos!

MŰSZAKI ADATOK

Energiaforrás220–240 V, ~ 50 Hz

Energiafogyasztás.....500 W

Védelmi osztály II 

Max. működési idő10 perc – keverő, dagasztó fej, habverő; 1 perc – botmixer; 10 másodperc – aprító

Típuscímke (H 50 * SZ 30 mm)

PHHM 6325
AC 220–240 V, 50 Hz, 500 W
Gyártó/Importőr:
FAST ČR, a.s.
Praha 10, Černokostecká 2111
CZ-10000; CSEH KÖZTÁRSASÁG



Megjegyzés: A folyamatos fejlesztés eredményeképpen a termék tervezése és specifikációja kissé eltérhet a csomagoláson feltüntetettektől.



A termék csomagolása újrahasznosítható anyagokból készül. A csomagolóanyagot bármelyik nyilvános gyűjtőtelepen leadhatja.



A készüléket ne tegye a háztartási hulladék közé! Az alkalmazandó jogszabályok követelményeinek teljesítése érdekében vigye el a készülékeket az élettartamuk lejártá után a gyűjtőtelepre, ahol osztályozásra kerülnek. Így az öreg készülékekben lévő értékes anyagok újrahasznosíthatók és a környezet is védett. Felelős helyi hatóságok vagy hulladékfeldolgozók.

UTASÍTÁSOK ÉS TÁJÉKOZTATÓ A HASZNÁLT CSOMAGOLÓANYAGOKRA VONATKOZÓAN

A használt csomagolóanyagokat az önkormányzat által kijelölt hulladéklerakó helyre helyezze el!



HASZNÁLT ELEKTROMOS ÉS ELEKTRONIKUS BERENDEZÉSEK MEGSEMISÍTÉSE

Ez a jelzés a terméken vagy a kísérő dokumentációban azt jelzi, hogy az elektromos vagy elektronikus termék nem dobható háztartási hulladék közé. A helyes megsemmisítéshez és újrafelhasználáshoz ezen termékeket kijelölt hulladékgyűjtő helyre adja le. Az EU országokban vagy más európai országokban a termékek visszaválthatóak az eladóhelyen azonos új termék vásárlásánál. A termék helyes megsemmisítésével segít megelőzni az élő környezetre és emberi egészségre kockázatos lehetséges veszélyek kialakulását amelyek a hulladék helytelen kezelésével adódhatnak. További részletekről érdeklődjön a helyi hatóságnál vagy a legközelebbi gyűjtőhelyen. Az ilyen fajta hulladék helytelen megsemmisítése a helyi előírásokkal összhangban bírsággal sújtható.

Vállalkozások számára a Európai Unióban

Ha meg akarja semmisíteni az elektromos vagy elektronikus berendezést, kérje a szükséges információkat az eladójától vgy beszállítójától.

Megsemmisítés Európai Unión kívüli országban

Ez a jelzés az Európai Unióban érvényes. Ha meg akarja semmisíteni a terméket, kérje a szükséges információkat a helyes megsemmisítésről a helyi hivataloktól vagy az eladójától.



Ez a termék teljesíti minden rá vonatkozó EU irányelv alapvető követelményét.

Változtatások a szövegben, kivételben és műszaki jellemzőkben előzetes figyelmeztetés nélkül történhetnek és minden módosításra vonatkozó jog fenntartva.

A cseh nyelvű az eredeti változat.

A gyártó címe: PHILCO, Praha 10, Černokostecká 2111, CZ-10000; CZECH REPUBLIC

Szanowni Klienci,
Dziękujemy za dokonanie zakupu produktu marki PHILCO. Aby zapewnić prawidłowe działanie urządzenia, przeczytaj wszystkie wskazówki w niniejszej instrukcji.

SPIS TREŚCI

ISTOTNE WSKAZÓWKI DOTYCZĄCE BEZPIECZEŃSTWA.....	3
CECHY TWOJEGO MIKSERA RĘCZNEGO	7
OPIS TWOJEGO MIKSERA RĘCZNEGO	7
Przed pierwszym użyciem	7
Przyciski sterowania.....	8
Instalacja akcesoriów.....	8
Wybór prędkości	10
Wykorzystanie miksera ręcznego (do nasadek do ubijania / nasadek do ugniatania ciasta / trzepaczki)	11
Wykorzystanie miksera ręcznego (blender)	11
Wykorzystanie miksera ręcznego (do rozdrabniacza)	12
Zdejmij nasadki do ubijania lub nasadki do ugniatania ciasta / trzepaczkę / blender / rozdrabniacz.....	12
ROZWIĄZYWANIE PROBLEMÓW	13
KONSERWACJA I CZYSZCZENIE.....	14
DANE TECHNICZNE.....	15
Tabliczka znamionowa (D 50 * SZ 30 mm).....	15

ISTOTNE WSKAZÓWKI DOTYCZĄCE BEZPIECZEŃSTWA

Przeczytaj uważnie wszystkie instrukcje, również jeżeli wydaje Ci się, że znasz ten typ urządzenia.

- Jeśli nie zamierzasz korzystać z urządzenia lub jeśli chcesz je wyczyścić, odłącz przewód sieciowy od gniazdka.
- Urządzenia tego nie wolno używać osobom o ograniczonych zdolnościach fizycznych, umysłowych lub psychicznych (włącznie z dziećmi) ani osobom o niewystarczającym doświadczeniu oraz wiadomościach, jeśli nie są pod nadzorem lub jeśli nie otrzymały poleceń dotyczących użytkowania urządzenia od osoby odpowiedzialnej za ich bezpieczeństwo.
- Dzieci powinny znajdować się pod stałym nadzorem, aby nie bawiły się urządzeniem.
- Aby nie doszło do wybuchu pożaru, porażenia prądem elektrycznym lub obrażeń, nie zanurzaj kabla zasilania, wtyczki ani urządzenia w wodzie ani innej cieczy.
- Nie dopuść, aby kabel zasilania zwisał przez krawędź stołu lub blatu, dotykał gorących powierzchni lub aby był skręcony.
- Nie należy stawiać urządzenia na kuchence gazowej lub elektrycznej ani w jej pobliżu oraz w miejscach, gdzie mogłoby dotykać gorącego piecyka.
- Nie używaj żadnych urządzeń z uszkodzonym kablem zasilającym lub wtyczką, jeśli urządzenie wykazuje usterkę lub jest uszkodzone.
- Należy unikać kontaktu z ruchomymi elementami.

Można używać gumowej drapaczki, ale tylko jeśli urządzenie nie pracuje.

- To urządzenie jest przeznaczone wyłącznie do użytku domowego.
Nie używaj urządzenia do innych celów niż te, do których jest ono przeznaczone. Nie używaj urządzenia na zewnątrz.
- Przed czyszczeniem pozostaw do wystygnięcia.
- Nie próbuj naprawiać ani rozbierać urządzenia.
Wewnątrz nie ma żadnych części, które mogą zostać naprawione przez użytkownika.
- Nie podłączaj urządzenia do gniazdka elektrycznego przed kompletnym złożeniem wszystkich części według instrukcji.
- Korzystaj z niego wyłącznie na równej powierzchni.
Nie używaj go w umywalkach, na ociekaczach ani nierównych powierzchniach.
- Nie mieszaj twardych składników ani pestek owoców.
- Używaj tylko oryginalnych nasadek do ubijania i do ugniatania ciasta dostarczanych z mikserem ręcznym.
Nigdy nie używaj różnych akcesoriów (nasadki do ubijania i do ugniatania ciasta) jednocześnie.
- Przed włączeniem urządzenia zawsze zapewnij, aby nasadki do ubijania i do ugniatania ciasta były prawidłowo założone.
- Z mikserem i akcesoriami obchodź się ostrożnie.
Nigdy nie wkładaj palców do naczynia miksera ani w pobliże nasadek do ubijania ani nasadek do ugniatania ciasta, jeśli urządzenie jest włączone.
- Nie rozbieraj tego urządzenia i nigdy nie próbuj wkładać do niego metalowych przedmiotów.

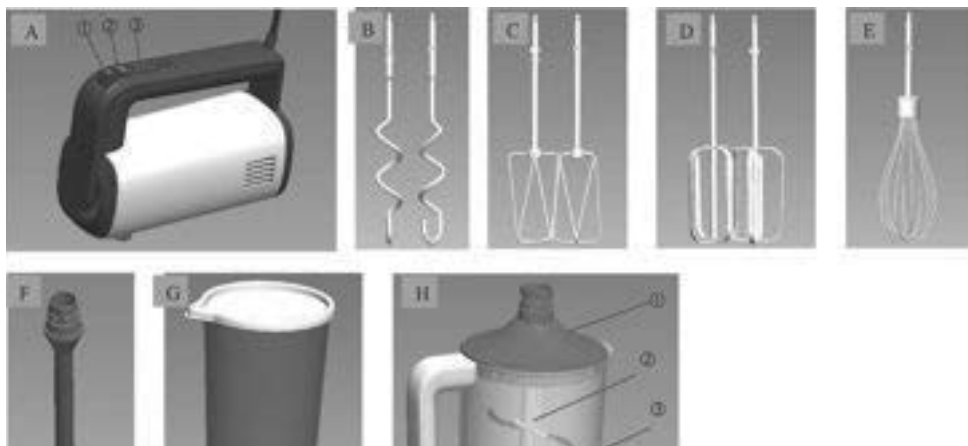
- Ręce, włosy, odzież, szpatułki i inne przybory kuchenne utrzymuj w wystarczającej odległości od ruchomych nasadek do ubijania, jeśli urządzenie pracuje.
- Nigdy nie należy zanurzać urządzenia w wodzie ani innych cieczach.
- Przed czyszczeniem zawsze wyjmuj z miksera akcesoria.
- Nigdy nie wyginaj kabla zasilającego i nie skręcaj go wokół urządzenia, ponieważ mogłoby dojść do złamania kabla.
- Po zakończeniu używania, przed przemieszczeniem urządzenia, przed założeniem lub zdjęciem części i przed czyszczeniem zawsze wyłączaj urządzenie i wtyczkę.
- Nie używaj tego urządzenia, jeśli masz wilgotne ręce, jeśli urządzenie jest wilgotne lub jeśli stoisz na wilgotnej powierzchni.
- Podczas użytkowania nie pozostawiaj urządzenia bez nadzoru.
- Nigdy nie włączaj tego urządzenia, jeśli naczynie do miksowania jest puste, w przeciwnym razie może dojść do przegrzania silnika.

Ostrzeżenie

- Wymianę uszkodzonego kabla zasilającego może przeprowadzić wyłącznie producent, jego serwisant lub osoba posiadająca podobne kwalifikacje, aby wyeliminować możliwe zagrożenia.
- Ten produkt nie został zaprojektowany do innego wykorzystania, niż podane w instrukcji obsługi.
- Używaj wyłącznie oryginalnego osprzętu (OEM). Konsekwencją wykorzystania innego osprzętu jest podwyższenie ryzyka wypadków. Nie ponosimy odpowiedzialności za jakiegokolwiek wypadki lub uszkodzenia spowodowane wykorzystaniem osprzętu innego niż oryginalny. Wykorzystanie nieoryginalnego osprzętu i uszkodzenie urządzenia skutkuje utratą jakichkolwiek praw gwarancyjnych.

Zachowaj niniejszą instrukcję

CECHY TWOJEGO MIKSERA RĘCZNEGO



- A) Jednostka miksera (① Przycisk wysuwania, ② Przycisk puls, ③ Przetącznik prędkości)
 B) Nasadka do ugniatania ciasta
 C) Nasadka do ubijania (druć)
 D) Nasadka do ubijania (pas)
 E) Trzepaczka
 F) Blender
 G) Pojemnik z wieczkiem (do blendera)
 H) Rozdrabniacz (① Pokrywka rozdrabniacza, ② Nóż rozdrabniacza, ③ Miska rozdrabniacza)

OPIS TWOJEGO MIKSERA RĘCZNEGO

Gratulujemy zakupu nowego miksera ręcznego.

Przed użyciem nowego miksera ręcznego należy przeczytać wszystkie instrukcje zawarte w niniejszej publikacji oraz przestrzegać ich, także wówczas, gdy masz wrażenie, że znasz ten typ urządzenia. Znajdź miejsce do bezpiecznego przechowywania niniejszej instrukcji do późniejszego wglądu. Zwróć szczególną uwagę na część „WAŻNE INSTRUKCJE DOTYCZĄCE BEZPIECZEŃSTWA”.

Urządzenie to zostało zaprojektowane do zasilania ze standardowego gniazdka domowego. Nie jest przeznaczone do celów przemysłowych i komercyjnych.

Przed pierwszym użyciem

- Przed pierwszym użyciem urządzenia usuń i zutylizuj wszelkie elementy opakowania i naklejki reklamowe.
- Przed pierwszym użyciem miksera ręcznego umyj mięką gąbką nasadki do ubijania, nasadki do ugniatania ciasta, trzepaczkę, blender, pojemnik i rozdrabniacz w ciepłej wodzie z mydłem. Optucz i dokładnie wysusz.
- ① Przy pierwszym włączeniu miksera ręcznego może być wyczuwalny nieprzyjemny zapach z silnika. Jest to normalne zjawisko; po włączeniu silnika zapach zniknie.

UWAGA:

Nie podłączaj kabla zasilającego do gniazdka elektrycznego przed właściwą instalacją akcesoriów, takich jak nasadki do ubijania, nasadki do ugniatania ciasta, trzepaczki, blendera i rozdrabniacza. Zapewnij, aby przełącznik prędkości był ustawiony w pozycji „0” (Wyłączone).

Przyciski sterowania

- Przycisk wysuwania – do zwolnienia nasadek do ubijania, nasadek do ugniatania ciasta i trzepaczek.
- Przełącznik prędkości 1–5 – do nasadek do ubijania, nasadek do ugniatania ciasta, słabego, średniego i silnego ubijania trzepaczką; przełącznik prędkości M – do blendera i funkcji rozdrabniacza.
- Przycisk puls – Przełącznik prędkości na 1–4, wysoka prędkość, do silnego miksowania; Przełącznik prędkości na M, wciśnij, aby włączyć funkcję blendera i rozdrabniacza, zwolnij, aby zatrzymać funkcję blendera i rozdrabniacza.

Instalacja akcesoriów

- Zapewnij, aby urządzenie było odłączone z gniazdka.
- Zapewnij, aby przełącznik prędkości był ustawiony w pozycji „0” (Wyłączone).
- Końcówki nasadki do ubijania są ukształtowane tak, aby zapadały w odpowiednie otwory miksera.

Każda para nasadek do ubijania (druć) i nasadek do ugniatania ciasta posiada jedną nasadkę z tulejką o dużej średnicy i drugą bez tulejki.

Podczas zakładania nasadek do ubijania, nasadek do ugniatania ciasta i trzepaczki zapewnij, aby nasadki do ubijania (druć) i nasadki do ugniatania ciasta z większą tulejką zostały umieszczone w otworze o większej średnicy. (Rys. 1)

Podczas instalacji wyrównaj nasadki i przyciśnij w dół. Włóż akcesoria do otworów tak, aby się zatrzasnęły we właściwej pozycji (być może trzeba będzie je delikatnie obrócić). Skontroluj, czy instalacja przebiegła bezpiecznie i prawidłowo



Nasadka do ubijania (druć) i nasadka do ugniatania ciasta z tulejką

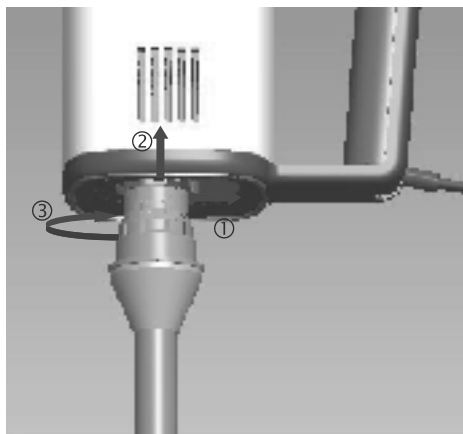
Otwór z większą średnicą

Rys. 1

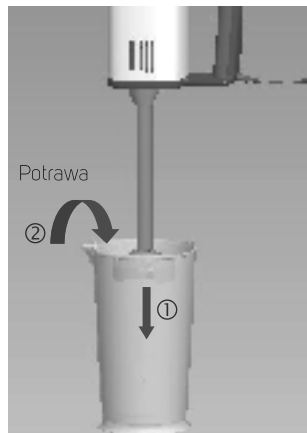
- Blender jest ukształtowany tak, aby zapadł we właściwe otwory miksera.

Przed włożeniem blendera do drzwiczek miksera najpierw użyj głowicy blendera do podniesienia drzwiczek miksera, następnie przyciśnij go ku dołowi, a potem obróć w kierunku przeciwnym do ruchu wskazówek zegara tak, aby zatrzasknął się we właściwej pozycji (jeśli nie słychać zatrzasknięcia, należy przycisnąć ku dołowi i obracać w kierunku przeciwnym do ruchu wskazówek zegara, aż głowica dotknie dolnej powierzchni). Skontroluj, czy instalacja przebiegła bezpiecznie i prawidłowo. (Rys. 2)

Następnie można go włożyć do pojemnika z produktami spożywczymi. (Rys. 3)



Rys. 2



Rys. 3

- Końcówki miksera ukształtowane są tak, aby zapadły we właściwe otwory miksera.

Przed włożeniem produktów do miski rozdrabniacza należy włożyć do miski nóż rozdrabniacza. (Rys. 4)

UWAGA:

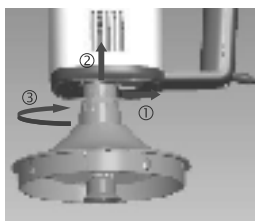
Nóż rozdrabniacza jest bardzo ostry, zachowaj ostrożność!

Przed włożeniem pokrywy rozdrabniacza do drzwiczek miksera najpierw użyj głowicy pokrywy rozdrabniacza do podniesienia drzwiczek miksera, następnie przyciśnij ją ku dołowi, a potem obróć w kierunku przeciwnym do ruchu wskazówek zegara tak, aby zatrzasknęła się we właściwej pozycji (jeśli nie słychać zatrzasknięcia, należy przycisnąć ku dołowi i obracać w kierunku przeciwnym do ruchu wskazówek zegara, aż głowica osiągnie dolną powierzchnię). Skontroluj, czy instalacja przebiegła bezpiecznie i prawidłowo. (Rys. 5)

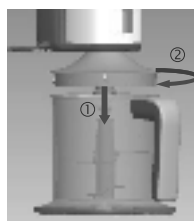
Włożenie miksera z pokrywką rozdrabniacza do miski rozdrabniacza, następnie obrót miksera w kierunku ruchu wskazówek zegara tak, aby zatrzasknął się we właściwej pozycji (rys. 6). Skontroluj, czy instalacja przebiegła bezpiecznie i prawidłowo. Jeśli włożenie pokrywy rozdrabniacza do miski rozdrabniacza sprawia trudność, obróć nieco złącze napędu na pokrywie rozdrabniacza. (Rys. 7)



Rys. 4



Rys. 5



Rys. 6



Rys. 7

Wybór prędkości

Zalecane prędkości:

Ustawienie prędkości	Czynność	Opis
1	Mieszanie	Najniższa prędkość do mieszania większych ilości suchych składników, na przykład mąki i cukru. Do mieszania 2 składników, na przykład dodawania ubitego białka do ciasta.
2	Powolne ubijanie	Idealna prędkość do dodawania płynów lub do miksowania dresingów do sałatek.
3	Mieszanie/ubijanie	Do ciasta lub mieszanki na placek.
4	Miksowanie / szybkie ubijanie	Do ubijania śmietany. Do miksowania masta i cukru, ubijania zimnych puddingów, kremów itp.
5	Ubijanie	Do ubijania jaj, bezy, purée ziemniaczanego, śmietany, majonezu itp.
M	Blender	Przygotowanie różnych rodzajów soków owocowych i warzywnych
	Rozdrabniacz	Obróbka produktów spożywczych, mięsa lub warzyw.

Wykorzystanie miksera ręcznego (do nasadek do ubijania / nasadek do ugniatania ciasta / trzepaczki)

- Zapewnij, aby nasadki do ubijania / nasadki do ugniatania ciasta / trzepaczka były włożone we właściwe otwory i dobrze zatrzaśnięte we właściwej pozycji.
- Podłącz urządzenie do standardowego gniazdka elektrycznego w domu.
- Włóż składniki do naczynia odpowiedniego do miksowania, uchwyc rękojęść miksera i włóż nasadki do ubijania / nasadki do ugniatania ciasta / trzepaczkę do miksowanego produktu.
- Aby przy włączeniu urządzenia nie doszło do wytryśnięcia składników i niebezpieczeństwa obrażeń, zapewnij, aby nasadki do ubijania / nasadki do ugniatania ciasta / trzepaczka były przed włączeniem zanurzone w miksowanym produkcie. Aby nie doszło do rozprysnięcia, zacznij miksować z niższym ustawieniem prędkości na „1”. Powoli zwiększaj prędkość na pożądaną wartość miksowania (ustawienie 1 to najniższa prędkość, 5 – najwyższa). Ustawienie prędkości można zmieniać podczas pracy przez obrót przełącznika prędkości do przodu lub do tyłu.
- Kiedykolwiek i przy jakimkolwiek ustawieniu (z wyjątkiem „0”) można użyć przycisku puls. Wciśnij przycisk puls, aby zwiększyć moc urządzenia i jego prędkość na maximum (ustawienie prędkości „5”). Przycisk puls jest ekwiwalentem ustawienia „5”, więc jeśli ustawiono „5”, wciśnięcie przycisku puls nie doda żadnej mocy.
- Aby miksowanie nasadkami do ubijania / nasadkami do ugniatania ciasta / trzepaczką było wydajne, podczas pracy przemieszczaj mikser słabym ruchem okrężnym. Od czasu do czasu zatrzymaj mikser i przy pomocy plastikowej szpatułki wyczyść ścianki naczynia; następnie kontynuuj miksowanie.

UWAGA: Nie dopuść, aby nasadki do ubijania lub nasadki do ugniatania ciasta podczas pracy uderzały w ścianki naczynia do miksowania, ponieważ spowodowałyby to uszkodzenie akcesoriów.

UWAGA: Aby nie doszło do przegrzania miksera, nie używaj go dłużej niż przez 10 minut bez przerwy. Przed ponownym włączeniem odczekaj do ostygnięcia urządzenia do temperatury pokojowej.

Wykorzystanie miksera ręcznego (blender)

- Zapewnij, aby blender był włożony w drzwiczki miksera i dobrze zatrzaśnięty we właściwej pozycji.
- Podłącz urządzenie do standardowego gniazdka elektrycznego w domu.
- Włóż owoce/warzywa i wodę do pojemnika do miksowania, uchwyc rękojęść miksera i umieść krawędź blender przy wewnętrznej powierzchni pojemnika.
- Aby po włączeniu urządzenia składniki nie wytrysnęły i nie było zagrożenia obrażeniem, jedną ręką trzymaj pojemnik. Następnie ustaw przełącznik prędkości na „M”. Naciśnij przycisk puls, aby uruchomić urządzenie.
- Aby poprawić mieszanie, można delikatnie przesuwac mikser po powierzchni wewnętrznej pojemnika w górę i w dół.

UWAGA: Aby nie doszło do przegrzania miksera, nie używaj go dłużej niż przez 1 minutę bez przerwy i nie mieszaj twardych produktów takich jak marchew. Przed ponownym włączeniem odczekaj do ostygnięcia urządzenia do temperatury pokojowej.

Wykorzystanie miksera ręcznego (do rozdrabniacza)

- Zapewnij, aby rozdrabniacz był włożony do drzwiczek miksera i bezpiecznie zatrzaśnięty na swoim miejscu.
- Włóż do miski rozdrabniacza mięso/warzywa do obróbki.
- Podłącz urządzenie do standardowego gniazdka elektrycznego w domu.
- Włóż do miski rozdrabniacza mięso/warzywa do obróbki. Chwyć rękojeść miksera.
- Ustaw przełącznik prędkości na „M”. Naciśnij przycisk puls, aby uruchomić urządzenie.
- Aby lepiej miksować, można co kilka sekund lekko przycisnąć i przytrzymać przycisk puls.

UWAGA: Aby nie doszło do przegrzania miksera, nie używaj go dłużej niż przez 1 minutę bez przerwy. Przed ponownym włączeniem odczekaj do ostygnięcia urządzenia do temperatury pokojowej

Zdejmij nasadki do ubijania lub nasadki do ugniatania ciasta / trzepaczkę / blender / rozdrabniacz

- Ustaw przełącznik prędkości na pozycję „0” (Wytłączone).
- Wytłącz urządzenie w miejscu zasilania.
- Odłącz urządzenie od źródła energii.
- Dla nasadek do ugniatania ciasta / nasadek do ubijania / trzepaczki – Wciśnij przycisk wysunięcia, wyjmij nasadki do ubijania / nasadki do ugniatania ciasta / trzepaczkę z miksera.
- Dla blendera – Obróć blender w kierunku ruchu wskazówek zegara, aż do wyjęcia go z drzwiczek miksera.
- Dla rozdrabniacza – Obróć jednostkę miksera w kierunku przeciwnym do ruchu wskazówek zegara i wyjmij ją z rozdrabniacza.

UWAGA: Nigdy nie próbuj zwalniać nasadek do ubijania / nasadek do ugniatania ciasta / trzepaczki lub obracać blendera / rozdrabniacza, gdy mikser ręczny jest włączony. Wyjmij akcesoria (nasadki do ubijania / nasadki do ugniatania ciasta / trzepaczkę / blender / rozdrabniacz) z naczynia/pojemnika dopiero po zupełnym zatrzymaniu się wszystkich części.

UWAGA: Jeśli wciskasz przycisk wysunięcia, aby wyjąć akcesoria, przełącznik prędkości zawsze musi być ustawiony na „0” (wytłączone).

ROZWIĄZYWANIE PROBLEMÓW

Usterka:	Przyczyna:	Naprawa:
Urządzenie nie działa.	Wtyczka sieciowa nie jest podłączona do gniazdka elektrycznego.	Podłącz wtyczkę sieciową do gniazdka elektrycznego.
	Urządzenie nie jest włączone.	Użyj przelącznika z 6 pozycjami do włączenia urządzenia.
Nie można zdjąć akcesoriów.	Nie wciśnięto przycisku wysunięcia.	Wciśnij przycisk wysunięcia, aby zdjąć akcesoria urządzenia.
Urządzenie nie miksuje.	Akcesoria nie zostały zupełnie zatrzaśnięte.	Zapewnij, aby akcesoria zostały zatrzaśnięte w otworach tak, aby było słychać i czuć zatrzaśnięcie we właściwej pozycji.
Blender lub rozdrabniacz nie działa	Przelącznik prędkości jest na 1–5 Nie wciśnięto przycisku puls	Ustaw przelącznik prędkości na M. Wciśnij przycisk puls

KONSERWACJA I CZYSZCZENIE

- Nigdy NIE NALEŻY ZANURZAĆ tego urządzenia w wodzie ani innych cieczach.
- Zapewnij, aby przełącznik prędkości znajdował się w pozycji „0” (Wyłączone) oraz aby na wtyczce zasilania było wyłączone zasilanie. Następnie wyjmij wtyczkę z gniazdka.
- Dla nasadek do ugniatacia ciasta / nasadek do ubijania / trzepaczki – Wciśnij przycisk wysunięcia, wyjmij nasadki do ubijania / nasadki do ugniatacia ciasta / trzepaczkę z miksera.
- Dla blendera – Obróć blender w kierunku ruchu wskazówek zegara, aż do wyjęcia go z drzwiczek miksera.
- Dla rozdrabniacza – Obróć jednostkę miksera w kierunku przeciwnym do ruchu wskazówek zegara i wyjmij ją z rozdrabniacza.
- Przy pomocy gumowej szpatułki wyczyść nasadki do ubijania / nasadki do ugniatacia ciasta / trzepaczkę / blender / nóż rozdrabniacza / miskę rozdrabniacza / pokrywkę rozdrabniacza. Następnie delikatną gąbką umyj powierzchnię nasadek do ubijania / nasadek do ugniatacia ciasta / trzepaczki / blendera / noże rozdrabniacza / miski rozdrabniacza / pokrywki rozdrabniacza w wodzie z mydłem. Optucz i dokładnie wysusz.
- Czyszczenie blendera – blender można także umyć przez napetnienie pojemnika czystą wodą i jej zamieszanie.
- Nie zaleca się mycia akcesoriów w zmywarce do naczyń.
- Wyczyść korpus miksera i powierzchnię pokrywy rozdrabniacza delikatną ściereczką i wysusz go.
- Usuń z kabla zasilającego wszelkie resztki produktów spożywczych.
- Nigdy nie używaj do czyszczenia ostrych przyborów, przyborów szlifujących ani przedmiotów o ostrych krawędziach.
- Umieść urządzenie i akcesoria w suchym i chłodnym miejscu.

UWAGA:

Nóż rozdrabniacza jest bardzo ostry, zachowaj ostrożność przy jego czyszczeniu!

DANE TECHNICZNE

Źródło energii.....220–240 V, ~ 50 Hz

Zużycie energii.....500 W

Klasa ochrony.....II 

Max. czas pracy.....10 minut – dla nasadki do ubijania, nasadki do ugniatania ciasta, trzepaczki; 1 minuta – dla blendera; 10 sekund – dla rozdrabniacza

Tabliczka znamionowa (D 50 * SZ 30 mm)

PHHM 6325
AC 220–240 V, 50 Hz, 500 W
Producent/Importer:
FAST ČR, a. s.
Praha 10, Černokostelecká 2111
CZ-10000; CZECHY



Uwaga: W związku z nieustannym rozwojem, design i dane techniczne produktu mogą nieznacznie odbiegać od obrazku pokazanego na opakowaniu.



Opakowanie wyrobu jest wyprodukowane z materiałów podlegających recyklingowi.
Opakowanie można oddać w publicznym punkcie przyjmowania surowców wtórnych.



Nie wyrzucaj urządzenia wyłączonego z użytkowania do odpadu komunalnego!
Według obowiązujących norm prawnych, urządzenia wyłączone z użytkowania po upływie ich żywotności należy odnosić do punktu zbiórki, gdzie zostanie przeprowadzona ich segregacja.
W ten sposób można poddawać recyklingowi cenny materiał zawarty w starych urządzeniach i chronić środowisko naturalne. Właściwe lokalne organy lub ich agencje gospodarki odpadem.

WSKAZÓWKI I INFORMACJE DOTYCZĄCE GOSPODARKI ZUŻYTYM OPAKOWANIEM

Zużyty materiał opakowaniowy należy dostarczyć do punktu przeznaczonego do składowania odpadu, wyznaczonego przez urzędy lokalne.



UTYLIZACJA ZUŻYTYCH URZĄDZEŃ ELEKTRYCZNYCH I ELEKTRONICZNYCH

Ten symbol, umieszczony na produktach lub w ich dokumentacji, oznacza, że zużytych wyrobów elektrycznych i elektronicznych nie wolno likwidować wraz ze zwykłym odpadem komunalnym. W celu zapewnienia należytej likwidacji, utylizacji i recyklingu tych wyrobów należy przekazać je do wyznaczonych składnic odpadów. W niektórych krajach Unii Europejskiej lub innych państwach europejskich można zamiast tego zwrócić tego rodzaju wyroby lokalnemu sprzedawcy przy kupnie ekwiwalentnego nowego produktu. Właściwa likwidacja tych produktów pozwoli zachować cenne źródła surowców naturalnych i pomoże w zapobieganiu negatywnemu wpływowi na środowisko naturalne i zdrowie ludzkie, co może spowodować niewłaściwa likwidacja odpadów. Szczegółowych informacji udziela Państwu urzędy miejskie lub najbliższe składnice odpadów. W przypadku niewłaściwej utylizacji tego rodzaju odpadu mogą zostać nałożone kary zgodnie z lokalnymi przepisami.

Dotyczy przedsiębiorców z krajów Unii Europejskiej

Jeśli chcą Państwo likwidować urządzenia elektryczne i elektroniczne, prosimy o uzyskanie potrzebnych informacji od sprzedawcy lub dostawcy wyrobu.

Likwidacja wyrobów w krajach spoza Unii Europejskiej

Ten symbol obowiązuje w Unii Europejskiej. Jeśli chcą Państwo zlikwidować ten wyrób, prosimy o uzyskanie potrzebnych informacji dotyczących prawidłowego sposobu likwidacji od lokalnych urzędów lub od sprzedawcy.



Ten wyrób spełnia wszystkie podstawowe wymagania dyrektyw UE, które go dotyczą.

Zastrzegamy sobie możliwość dokonywania zmian tekstu, designu i danych technicznych wyrobu bez uprzedzenia.

Językiem oryginału jest język czeski.

Adres producenta: PHILCO, Praha 10, Černokostelecká 2111, CZ-10000; CZECH REPUBLIC

Manufacturer/Importer:
Fast ČR, a.s.
Praha 10, Černokostecká 2111
CZ-10000; CZECH REPUBLIC

PHILCO[®] 

**is a registered trademark used under license from
Electrolux International Company, U.S.A.**