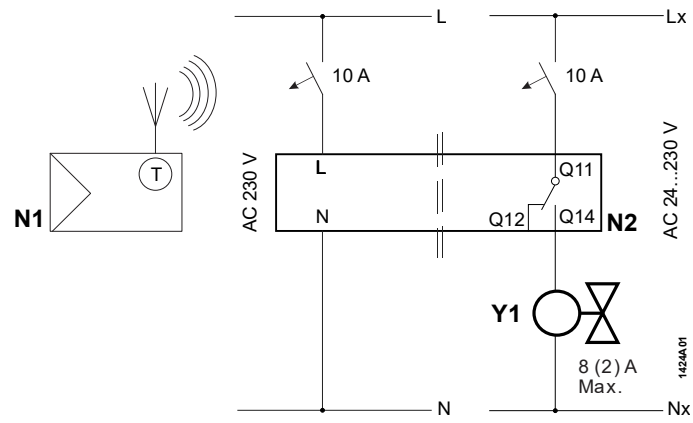


RDD100.1RFS

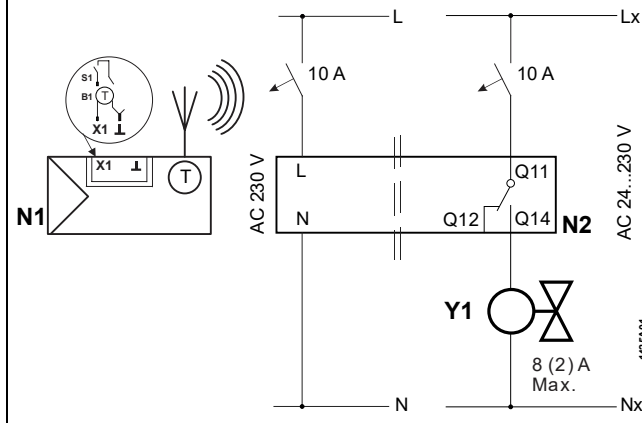


⚠ L-N AC 230 V

N1: RDD100.1RF or RDE100.1RF

N2: RCR100RF

RDE100.1RFS

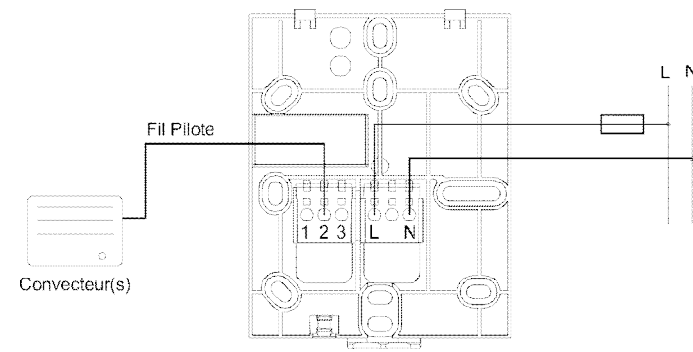


⚠ Lx-Nx 24...230 V

N1: RDD100.1RF or RDE100.1RF

N2: RCR100RF

RDE100.1FPRFS (Fil Pilote)



⚠ Lx-Nx 24...230 V



⌚ Max. 1.5 min



1) www.siemens.com/HIT
(HIT start center)

2) 🔍 "RDE"

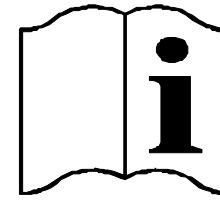
3) 📄 (doc)

Issued by
Siemens Switzerland Ltd.
Smart Infrastructure
Global Headquarters
Theilerstrasse 1a
CH-6300 Zug
Tel. +41 58 724 2424

www.siemens.com/buildingtechnologies

SIEMENS

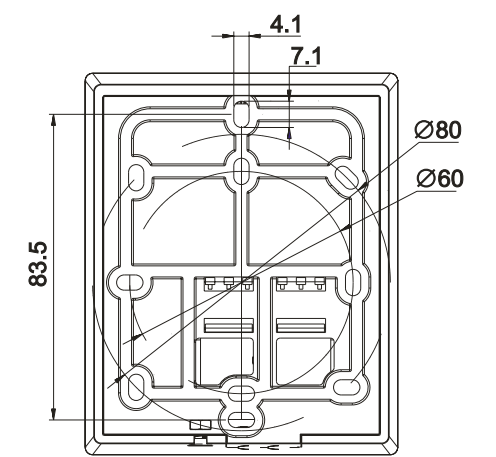
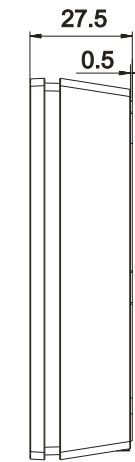
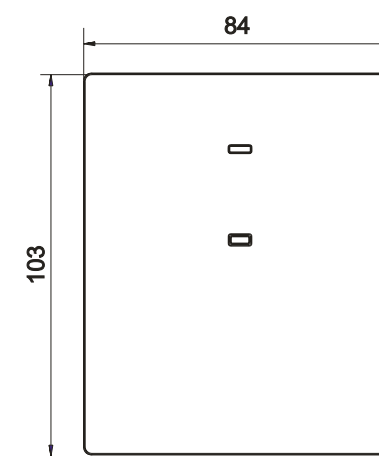
M1439



RDD100.1RFS RDE100.1RFS RDE100.1FPRFS

RCR100...

Dimensions in mm



1

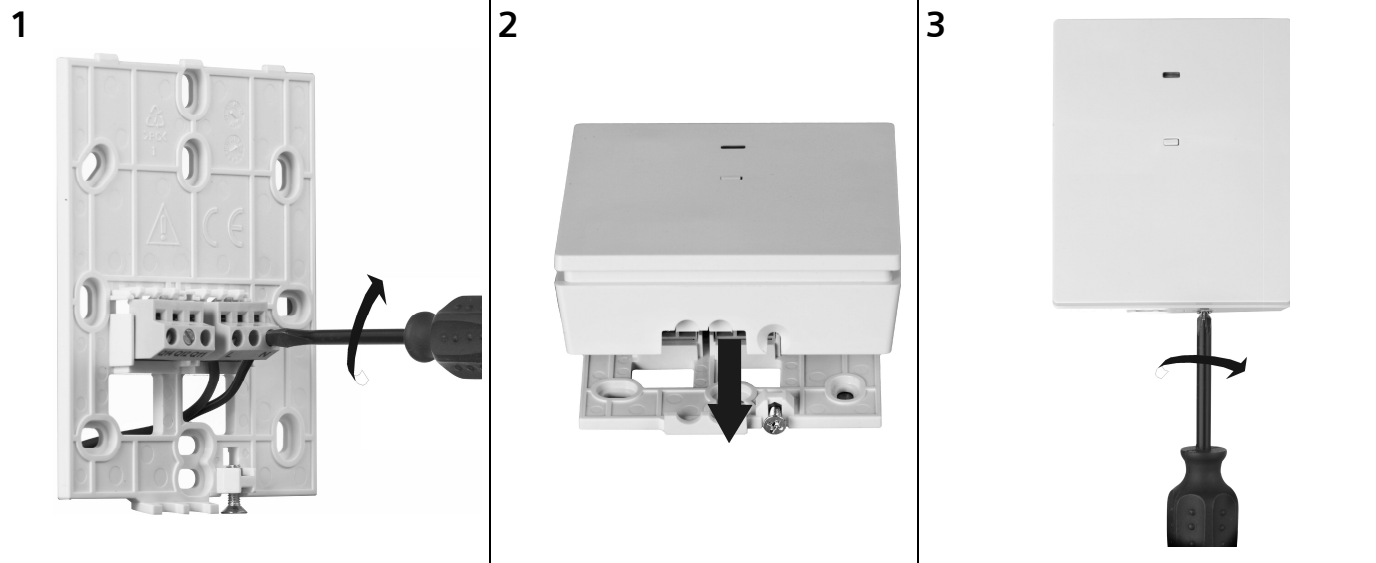


2



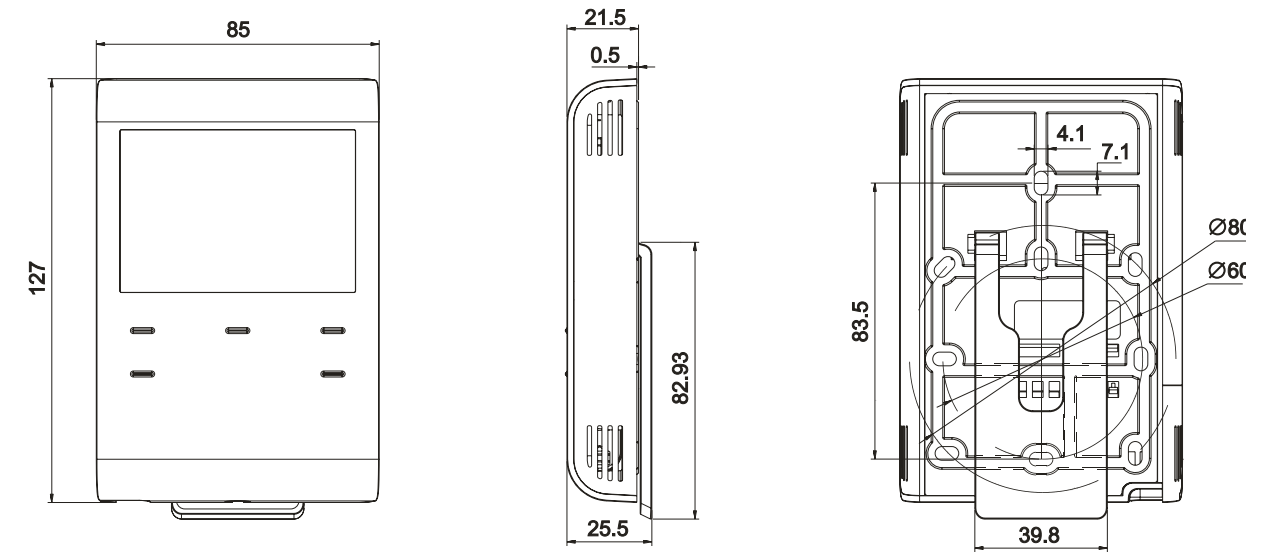
3





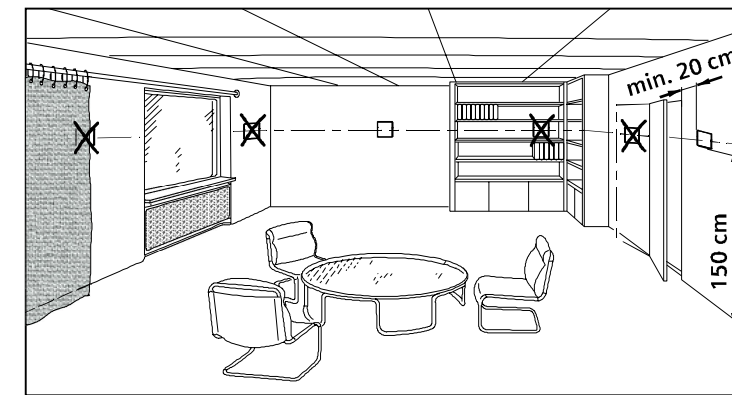
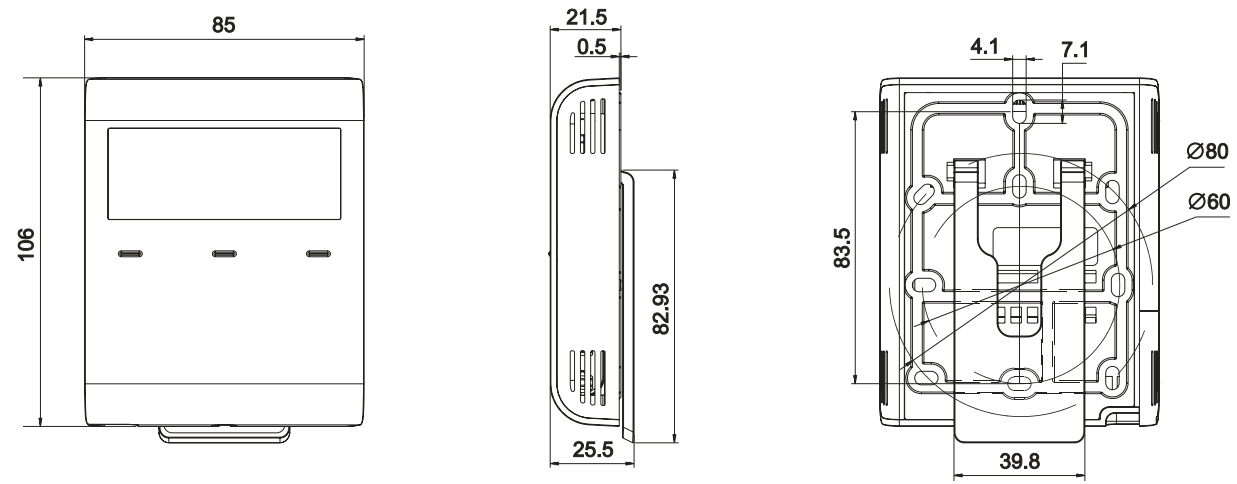
RDE100...

Dimensions in mm

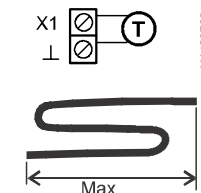


RDD100...

Dimensions in mm



M1425Z01
Max. 1 x 2.5 mm²
Max. 2 x 1.5 mm²



Wire [mm ²]	Max. [m]
1.5	80

