



BLADE 2

DD778



- EN** Instruction Manual | 2-in-1 Handheld vacuum cleaner with rechargeable battery | 12
- DE** Bedienungsanleitung | 2in1 Akku-Handstaubsauger | 18
- FR** Mode d'emploi | Aspirateur balai multifonction | 27
- ES** Manual de instrucciones | Aspiradora inalámbrica de mano 2en1 | 36
- IT** Istruzioni per l'uso | Aspirapolvere manuale a batteria 2 in 1 | 45
- PT** Instruções de utilização | Aspirador de pó manual sem fios 2em1 | 54
- NL** Bedieningshandleiding | 2in1 accu-handstofzuiger | 63
- PL** Instrukcja obsługi | Ręczny odkurzacz akumulatorowy 2w1 | 72
- CZ** Návod k obsluze | Ruční akumulátorový vysavač 2v1 | 81
- HU** Használati utasítás | 2 az 1-ben akkumulátoros kézi porszívó | 90
- TR** Kullanım kılavuzu | 2si1 arada şarjli el süpürgesi | 99
- FI** Käyttöohje | Akkukäyttöinen 2in1-käsihölynimuri | 108
- SE** Bruksanvisning | Batteridrivnen 2-i-1-handdammsugare | 117
- DK** Betjeningsvejledning | 2-i-1 batteridrevet håndstøvsuger | 126
- SK** Návod na obsluhu | Ručný akumulátorový vysávač 2v1 | 135
- NO** Bruksanvisning | 2-i-1 batteridrevet håndstøvsuger | 144
- GR** Οδηγίες χρήσης | Επαναφορτιζόμενη σκούπα χειρός 2 σε 1 | 153
- RO** Instrucțiuni de utilizare | Aspirator manual cu acumulator, 2 în 1 | 162
- BG** Упътване за обслужване | Аккумуляторна ръчна прахосмукачка 2в1 | 171
- HR** Upute za rukovanje | 2-u-1 ručni usisavač za prašinu s punjivom baterijom | 180
- LT** Naudojimo instrukcija | Įkraunamas rankinis dulkių siurblys "du viename" | 189
- LV** Lietošanas rokasgrāmata | Akumulatora rokas putekļsūcējs "divi vienā" | 198
- EE** Kasutusjuhend | Kaks ühes akutoitega käsitolmuimeja | 207
- SI** Navodila za uporabo | 2v1 ročni akumulatorski sesalnik | 216

SAFETY INFORMATION

About this user guide

Read this user guide completely before using the machine. Keep this user guide for reference. If you pass your machine on to third parties, it must be accompanied with this user guide. Failure to adhere to this user guide can lead to serious injuries or damage to the machine. We assume no liability for damage caused as a result of failure to adhere to this user guide. Important information not included in this chapter is indicated as follows:



WARNING: Warns of health hazards and identifies possible risks of injury.



CAUTION: Indicates possible dangers to the machine or other objects.

NOTE Highlights tips and information.

General usage

This stick vac is intended for household use only and NOT for commercial or industrial use.

- Only use the stick vac indoors on dry surfaces and keep the area you're cleaning well lit.
- Don't vacuum up hard or sharp objects such as glass, nails, screws, coins, etc.
- Don't vacuum up hot coals, cigarette butts, matches, or items that are burning or smoking.
- Don't use in an area that is wet or where there may be harmful fluids (chlorine, bleach and ammonia drain cleaner).
- Don't attempt to remove blockages with sharp objects as this may cause damage to your stick vac.

- Only Dirt Devil recommended charger, tools and accessories should be used with this stick vac and always check the floorhead and accessories are free from damage, dirt and debris before use.
- Always turn off or unplug the stick vac from the charger before carrying out any maintenance. Please refer to the appropriate section in the user guide to review necessary precautions.
- Always make sure the separator and filters are fitted correctly before using your stick vac.
- Keep all openings clear and free from debris as this may affect the airflow/suction.
- Take extra care when using the stick vac on the stairs.



WARNING: Always switch off the stick vac and unplug from the charger and mains before carrying out any maintenance or troubleshooting.



CAUTION: Don't over fill the dirt container to avoid blocking the air flow through the stick vac. For best cleaning results, empty the dirt container after every use. Filters should be tapped over a bin every 4-6 uses to remove dirt and debris and washed every 3 months. Filters should be replaced every 6-9 months depending on the level of use.

Safety

- This stick vac can be used by children aged from 8 years and above and persons with reduced physical, sensory or mental capabilities or lack of experience and knowledge if they have been given supervision or instruction concerning use of the stick vac in a safe way and understand the hazards involved. Children must not play with the stick vac.

Cleaning and user maintenance must not be made by children without supervision.

- Keep fingers, hair and loose clothing away from moving parts and openings whilst using the stick vac.
- Don't use the stick vac if it has been dropped, damaged, immersed in water or left outdoors.
- Don't handle the charger plug or use the stick vac with wet hands.
- Don't use the stick vac charger if the charger cord or plug is damaged.
- Don't unplug the charger by pulling on the charger cord.

Power supply

- Don't charge the stick vac outdoors, or leave the charger connected to the mains when not in use.
- Don't use the stick vac with the incorrect charger as this may result in damage or injury to the user. The correct charger information is listed on the ratings label.
- Always use the charger supplied with the stick vac. If charging the stick vac through an extension cord, use only CE approved 13amp extension cords, non-approved extension cords may overheat. Care should be taken to arrange the extension cord as it can be a trip hazard.

Brushbar



WARNING: The brushbar in the powered head constantly rotates when switched on. Never use the powered head on one spot for an extended period of time as the brushbar may damage the floor surface. Always turn the powered head brushbar off when cleaning hard floors. To prevent any damage being sustained, test on an inconspicuous area of the flooring first.



CAUTION: If the brushbar in the powered head has been obstructed, the brushbar motor protection sensor may have been activated. The brushbar will stop and the light on the powered head will illuminate red. To reset switch the brushbar and stick vac off, remove the powered head from the reach wand/handheld and clear any obstruction. Wait 1 minute before refitting the powered head tool, switch the stick vac on and press the brushbar ON/OFF button.

Storage

- Store your stick vac in a cool, dry area. If filters have been cleaned as per user guide instructions ensure they are thoroughly dry before storing away. This stick vac does not stay upright without constant support. Between uses, lie flat on the floor in a suitable location so that it does not become a trip hazard or can be stepped on.

Battery and Disposal



CAUTION: The battery used in this device may present a risk of fire or chemical burn if mistreated. Do not disassemble or heat above manufacturer's maximum temperature limit (60°C/140°F) or incinerate. Use of another battery may present a risk of fire or explosion.

- The battery must be removed from the appliance before disposal and the used battery disposed of safely and promptly. Keep away from children. Prior to disposal, protect exposed terminals with heavy insulating tape to prevent shorting. The battery is to be disposed of safely at your local battery recycling centre.
- Do not attempt to disassemble the battery, remove any component projecting from the battery terminals and do not dispose of in a fire. The battery and charger have no user serviceable parts. Fire or injury may result.
- The appliance must be disconnected from the mains supply before use or when removing the battery before disposal. In case of battery leakages avoid any contact with the skin and contact +800 2672 6677.

PLEASE KEEP INSTRUCTIONS FOR FURTHER USE



International Services

DE


Royal Appliance International GmbH
Abt. Kundenservice
Jagenbergstraße 19
41468 Neuss
DEUTSCHLAND

 de@dirtdevil-service.eu
www.dirtdevil.de
 0049 (0) 180 - 501 50 50*
 0049 (0) 2131 - 60906095

AT

 at@dirtdevil-service.eu
 0043 - 720 - 88 49 54**

CH

 ch@dirtdevil-service.eu
 0041 - 31 - 52 80 557**

BE

 be@dirtdevil-service.eu
 0032 - 2 - 80 85 065**

LU

 lu@dirtdevil-service.eu
 00352 - 2 - 08 80 506**

FR

 fr@dirtdevil-service.eu
 0033 - 9 - 75 18 30 17**

ES

 es@dirtdevil-service.eu
 0034 - 91 - 19 82 787**

IT

 it@dirtdevil-service.eu
 0039 - 06 - 94 80 16 18**

PT

 pt@dirtdevil-service.eu
 00351 - 21 - 11 41 327**

NL

 nl@dirtdevil-service.eu
 0031 - 20 - 80 85 408**

PL

 pl@dirtdevil-service.eu
 0048 - 22 - 39 70 223**

CZ

 [cz@dirtdevil-service.eu](mailto:czech@dirtdevil-service.eu)
 00420 - 2 - 46 01 95 41**

HU

 hu@dirtdevil-service.eu
 0036 - 1 - 84 80 686**

TR

 tr@dirtdevil-service.eu
 0090 - 85 03 90 1980**


FI

 fi@dirtdevil-service.eu
 00358 - 9 - 42 45 04 12**


SE

 se@dirtdevil-service.eu
 0046 - 84 46 82 150**

DK

 dk@dirtdevil-service.eu
 0045 - 78 - 77 44 95**

SK

 sk@dirtdevil-service.eu
 0042 - 12 32 78 45 49**

NO

 no@dirtdevil-service.eu
 0047 - 21 99 94 89**


GR

 gr@dirtdevil-service.eu
 0030 - 2 - 11 19 81 203**

RO

 ro@dirtdevil-service.eu
 0040 - 31 63 03 651**

BG

 bg@dirtdevil-service.eu
 00359 - 2 - 49 25 116**

HR

 hr@dirtdevil-service.eu
 00385 - 1 - 6666 441**

LT

 li@dirtdevil-service.eu
 00370 - 52 14 17 98**

LV

 lv@dirtdevil-service.eu
 00371 - 66 09 04 70**

EE

 ee@dirtdevil-service.eu
 00372 - 88 01 167**

SI

 si@dirtdevil-service.eu
 00386 - 18 88 80 74**

DE

*0,14 €/min aus dem deutschen Festnetz (deutscher Mobilfunkpreis 0,42 €/min).

Die Kosten für Telefonate aus dem Ausland richten sich nach den Gebühren der jeweiligen ausländischen Anbieter und der jeweiligen aktuellen Tarife.

EN

**Charges for calls from abroad depend on the current charges imposed by the respective foreign telephone company and the respective rates.

AT, CH

**Die Kosten für Telefonate aus dem Ausland richten sich nach den Gebühren der jeweiligen ausländischen Anbieter und der jeweiligen aktuellen Tarife.

NL, BE, LU

**De kosten voor telefoongesprekken naar het buitenland zijn afhankelijk van de prijzen van de betreffende buitenlandse aanbieder en de betreffende actuele tarieven.

FR, BE, CH

**Les coûts des appels depuis l'étranger dépendent des prix fixés par les opérateurs étrangers et des tarifs actuellement en vigueur.

IT, CH

**Le tariffe delle chiamate dall'estero dipendono dai prezzi degli operatori telefonici stranieri e dalle tariffe di volta in volta in vigore.

ES

**Los costes de las llamadas telefónicas desde el extranjero dependerán de las tarifas actuales de los diferentes proveedores extranjeros.

PT

**Os preços para telefonemas do estrangeiro baseiam-se nos preços das respetivas operadoras estrangeiras e nas tarifas atualmente em vigor.

PL

**Koszty rozmów z zagranicy (czyli spoza Niemiec) zależą od cen i aktualnych taryf operatorów zagranicznych.

CZ

**Náklady na telefonáty ze zahraničí se řídí poplatky příslušných zahraničních operátorů a aktuálními tarify.

HU

**A külföldről kezdeményezett hívás díja az érintett külföldi szolgáltató árlistája és az adott időpontban érvényes díjszabása szerint.

TR

**Yurtdışı telefon konuşma masrafları ilgili telefon hizmeti sağlayıcısının ücretlerine ve ilgili güncel tarifelere tabiidir.

FI

**Puhelujen hinnat ulkomailla määrittävät kunkin ulkomaisen operaattorin ajankohtaisien hintojen mukaisesti.

SE

**Priset för samtal från utlandet är beroende av respektive lands teleoperatörer och deras aktuella tariffer.

DK

**taksterne for opkald fra lande uden for Tyskland afhænger af den pågældende lokale udbyders priser og de aktuelle takster.

SK

**Náklady na telefonáty zo zahraničia sa riadia poplatkami príslušných zahraničných operátorov a aktuálnymi tarifami.

NO

**Priser for telefonsamtaler fra utenfor Tyskland er avhengig av avgiftene til de respektive leverandørene og de gjeldende prisene deres.

GR

**Οι χρεώσεις για κλήσεις από το εξωτερικό εξαρτώνται από τις τιμές των εκάστοτε αλλοδαπών παρόχων και των πακέτων χρέωσης που ισχύουν κάθε φορά.

RO

**Costurile pentru apelurile din străinătate sunt funcție de taxele practice de ofertanții respectivi din străinătate și a tarifelor respective actuale.

BG

**Разходите за телефонни разговори от чужбина се ръководят от таксите на съответните чуждестранни доставчици и съответните актуални тарифи.

HR

**Troškovi telefonskih poziva iz inozemstva ravnaju se prema pristojbama odgovarajućih inozemnih davatelja usluga i važećih tarifa.

LT

**skambinant telefonu iš užsienio, kaina priklauso nuo tos šalies ryšio paslaugų teikėjo taikomų mokesčių ir galiojančių įkainių.

LV

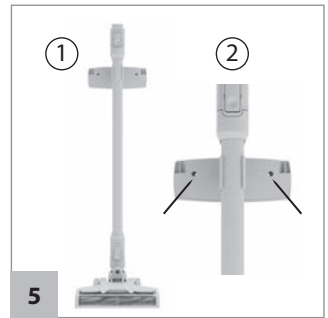
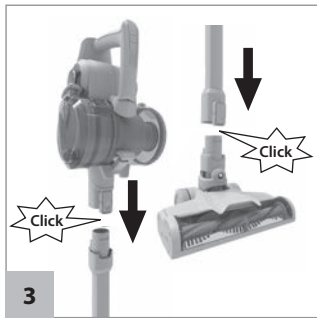
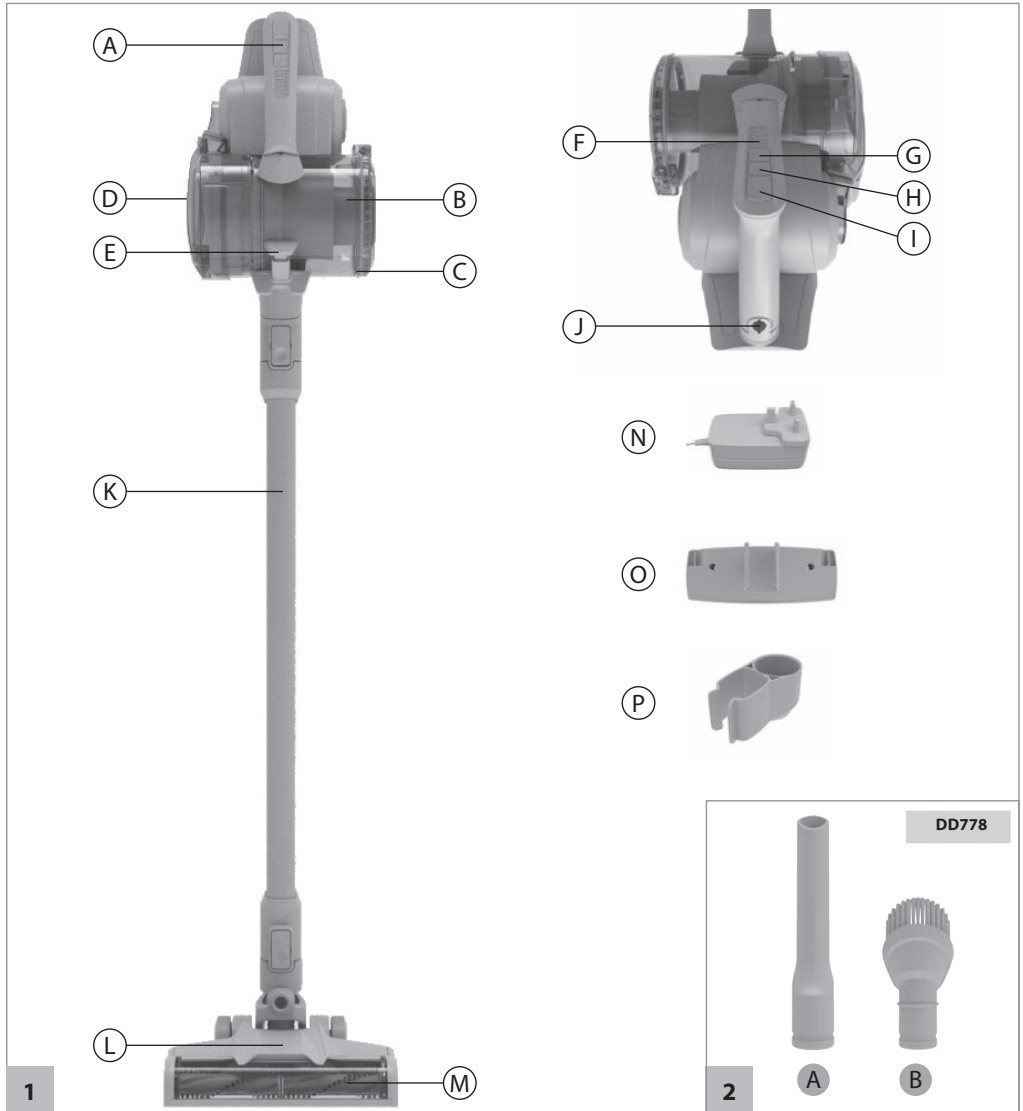
**telefona sarunu izmaksas zvaniem no ārzemēm balstās uz attiecīgā ārvalstu telefonsakaru pakalpojumu sniedzēja maksām un attiecīgi pašreizējiem tarifiem.

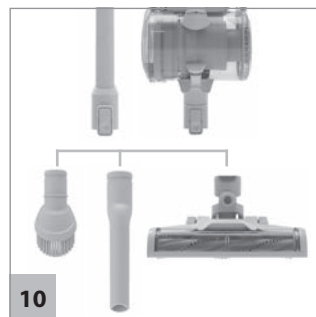
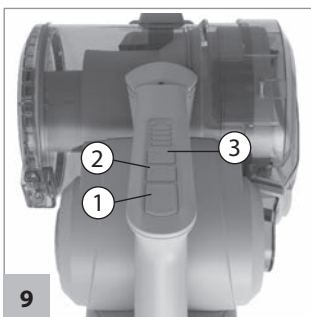
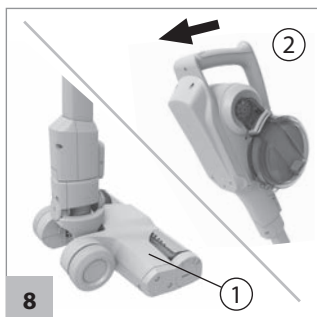
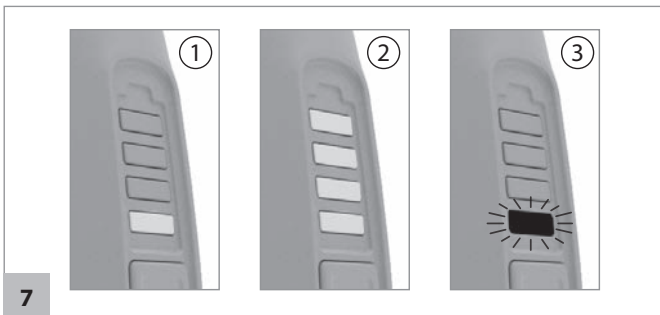
EE

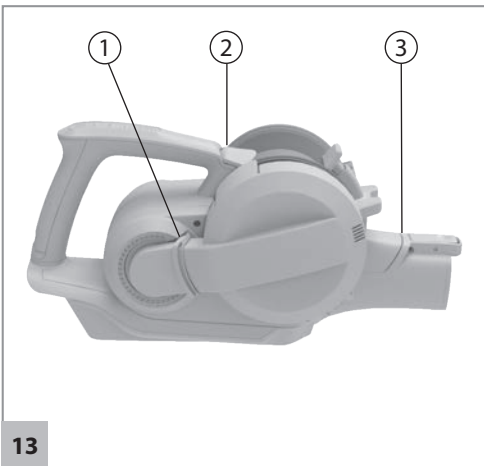
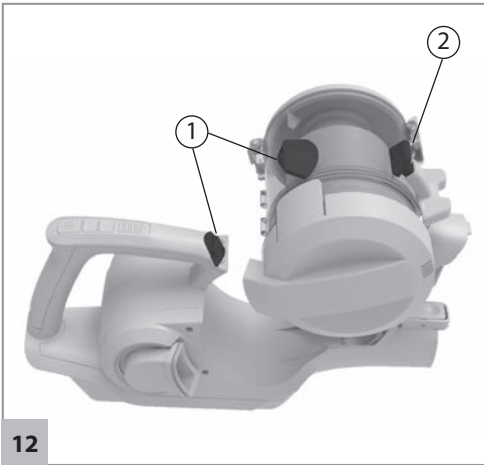
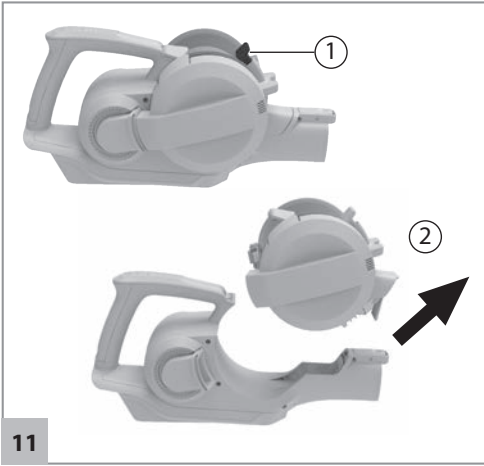
**kõnede maksimums välismaalt oleneb vastava teenusepakkuja tasudest ning kehtivatest tariifidest.

SI

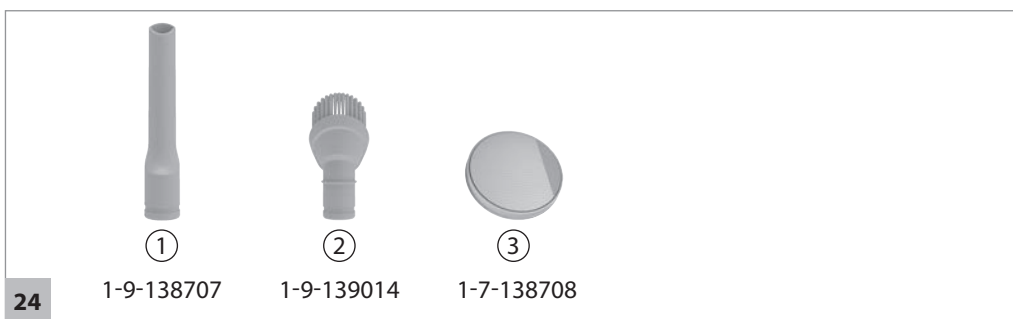
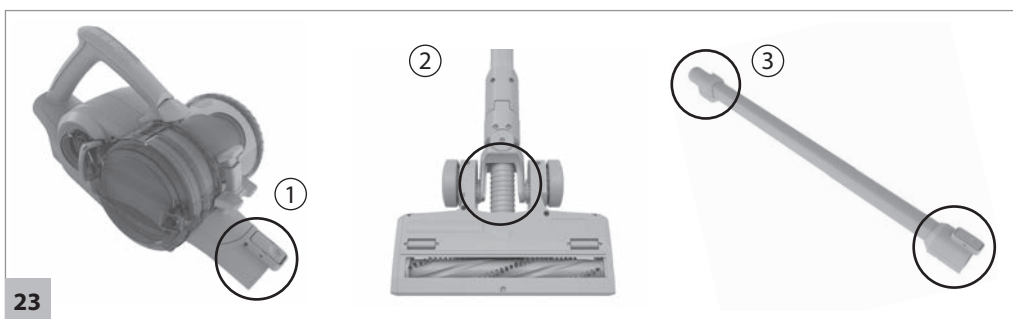
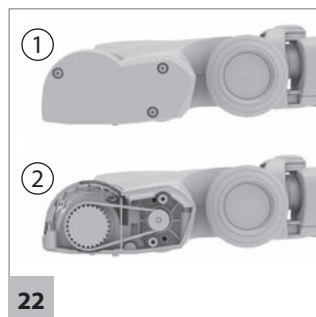
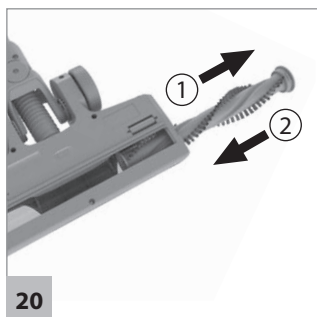
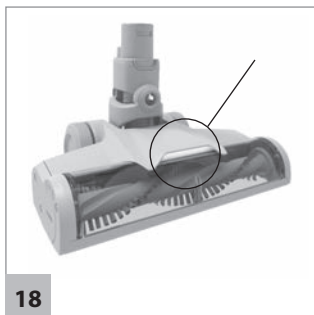
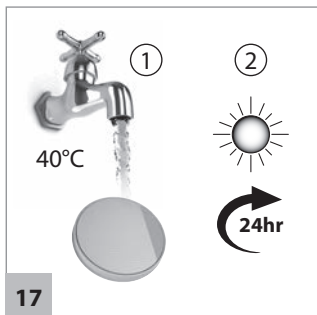
**cena telefonskih pogovorov iz tujine je odvisna od cene posameznih tujih telefonskih operaterjev in njihove tarife.











Thank you!

We are pleased that you decided to purchase a Dirt Devil product. We hope you enjoy using your appliance and we would like to thank you for your purchase.

You will find further information on your product in this operating manual and on our website www.dirtdevil.de. To contact our Dirt Devil service department, refer to the contact details on page 2.

Technical data

Type of appliance	Cordless vacuum cleaner
Model	DD778, DD778 (-0/.../-9)
Rechargeable battery	Li-ion 32V
max. operating duration	approx. 45 min
max. charging duration	approx 4 hours
Mains adapter	Input: 100 – 240 V ~, 1A Output: 34 V, 600 mA
Capacity of dust collector	0.3l Max Fill, 0.6l Max Cap
Power	234 W
Weight	3.1 kg

Environmental protection and disposal

If you wish to dispose of the appliance, remove the rechargeable battery and dispose of the rechargeable battery and the appliance separately.



Do not dispose of the appliance, rechargeable battery or mains adapter with the domestic waste.



Dispose of the appliance, rechargeable battery and mains adapter separately at the appropriate collection points.

Li-ion

Warranty

If you have purchased the appliance as a consumer within the European Union, the respective national legislation implemented as per EU Directive 2011/83/EU applies as the minimum warranty standard. In non-EU countries the minimum warranty requirements in the respective country apply. This does not apply to batteries or rechargeable batteries which have become faulty or have a reduced service life as a result of normal wear or improper handling.



We reserve the right to make changes to technical and design specifications in the interest of continuous product improvement.
© Royal Appliance International GmbH

GETTING TO KNOW YOUR MACHINE

Fig. 1

- A. Carry handle
- B. Dirt container
- C. Dirt release button
- D. Filter cover and filter
- E. Dirt container release latch
- F. Battery level indicator light
- G. Boost button
- H. Brushbar ON/OFF button
- I. ON/OFF button
- J. Charging port
- K. Reach wand
- L. Powered head
- M. Brushbar
- N. Charger
- O. Wall mount, 2 screws and wall plugs
- P. Crevice tool storage caddy

Contents Fig. 2

- A. Crevice tool
- B. Dusting brush

Unpacking and assembly

1. Unpack the contents and check they are complete. (Fig. 1 and 2).
2. Attach the reach wand and powered head to the handheld. They will click when locked into place (Fig. 3).
3. Push the crevice tool storage caddy onto the bottom of the reach wand and slot the tool into place (Fig. 4).

Attaching the wall mount

1. Without the handheld attached to the reach wand and powered head, push the wall bracket onto the top and back of the reach wand. (Fig. 5/1).
2. Choose a location for the stick vac to be stored, preferably near to a mains supply although not

directly above or below a mains socket. Stand the stick vac powered head and wand against the wall, ensuring the powered head is flat on the floor.

3. Holding the wall bracket securely against the wall, use a pencil to make a small mark for each screw. (Fig. 5/2) Use the screws and wall plugs to secure the wall bracket to the wall.
4. The charger cord and dusting brush can be fitted onto the wall bracket (Fig. 6).
5. Fully assemble the stick vac and firmly press the stick vac into the wall bracket to secure. Always ensure the stick vac is securely locked into place.

Charging the stick vac

NOTE The initial charge is 4 hours and charging will be required before first use. Failure to fully charge the battery before first use may result in poor battery performance. The life expectancy of the battery will vary depending on the usage of the stick vac.

1. To charge the stick vac, securely attach the stick vac into the wall bracket. You can also charge as a handheld; detach the stick vac from the reach wand and tools, and place on a flat, stable surface.
2. Insert the charger lead into the charging port (Fig. 1/J) located on the carry handle of the handheld and plug the charger plug into the mains.
3. The battery indicator level lights will illuminate in turn as the battery charges, until all four lights are illuminated (Fig. 7/1 and 7/2) Once fully charged, the lights will go out. If charging for the first time the initial charge time is 4 hours.
4. When the stick vac is in use the battery level indicator lights will illuminate indicating how

much charge is remaining. When less than 20% charge is remaining the bottom light will flash red indicating the battery is running low and charging is required (Fig. **7**/3).

Using the stick vac



WARNING: The brushbar in the powered head constantly rotates when switched on. Never use the powered head on one spot for an extended period of time as the brushbar may damage the floor surface. Always turn the powered head brushbar off when cleaning hard floors. To prevent any damage being sustained, test on an inconspicuous area of the flooring first.



CAUTION: If the brushbar in the powered head has been obstructed, the brushbar motor protection sensor may have been activated. The brushbar will stop and the light on the powered head will illuminate red (Fig. **18**). To reset switch the brushbar and stick vac off, remove the powered head from the reach wand/handheld and clear any obstruction. Wait 1 minute before refitting the powered head tool, switch the stick vac on and press the brushbar ON/OFF button.

1. Place your foot on the powered head (Fig. **8**/1) and pull the handle backwards to recline (Fig. **8**/2).
2. To switch the stick vac on, press the ON/OFF button located on the handle. (Fig. **9**/1) The On/Off button and battery level indicator lights on the handle will illuminate (Fig. **7**/2).
3. To increase suction for particularly dirty areas that require additional cleaning boost mode can be activated (Fig. **9**/3).

4. To switch the brushbar on, press the brushbar ON/OFF button (Fig. **9**/2). The light on the powered head and the brushbar ON/OFF light will illuminate when the brushbar is on and the brushbar will constantly spin. Press the brushbar ON/OFF button again to turn the brushbar off.

NOTE: The powered head brushbar should be ON for carpets and OFF for hard floors. Constant use of the boost mode and brushbar will reduce the battery run time.

5. All of the accessories, including the powered head can be attached directly onto the handheld (Fig. **10**) or the reach wand. The crevice tool and dusting brush can be used for hard to reach places and at different heights for above floor cleaning.

MAINTAINING THE STICK VAC



WARNING: Always switch off the stick vac and unplug from the charger and mains before carrying out any maintenance or troubleshooting.

Removing and refitting the dirt container

1. Push down the latch on the dirt container (Fig. **11**/1) to release, tilt and lift to remove the dirt container from the stick vac (Fig. **11**/2).

NOTE: Before refitting, if the lid of the container with separator has been removed for cleaning make sure the separator has been refitted and the lid has been locked into place (Fig. **13**/1).

2. To refit, line up the dirt container connection with the stick vac handle. (Fig. **12**/1) Press the dirt container release latch (Fig. **12**/2) and push the dirt container onto the stick vac.

Release the dirt container latch to lock the dirt container into place.

3. When correctly fitted all 3 connection points will be aligned and will sit flush (Fig. 13).

Emptying the dirt container

1. Push down the latch on the dirt container (Fig. 11/1) to release, tilt and lift to remove the dirt container from the stick vac (Fig. 11/2).
2. Hold the dirt container over a bin and press the dirt release button to allow dirt and debris to fall out. (Fig. 14/1 & 2).
3. To close, push the dirt release door until it locks into place (Fig. 14/3).



CAUTION: Don't over fill the dirt container to avoid blocking the air flow through the stick vac. For best cleaning results, empty the dirt container after every use. Filters should be tapped over a bin every 4-6 uses to remove dirt and debris and washed every 3 months. Filters should be replaced every 6-9 months depending on the level of use.

Cleaning the filter and separator

1. Empty the dirt container (Fig. 14).
2. Lift the tab on the lid of the dirt container (Fig. 15/1 & 2). Lift the filter cover and separator from the dirt container (Fig. 15/3).
3. Tap the separator over a bin to remove dirt and debris and wipe over the metal shroud with a dry cloth (Fig. 16/1).
4. Pull the tab on the filter to remove from the separator (Fig. 16/2). Tap the filter against the bin to remove any dirt and debris (Fig. 16/3).

5. Wash the filter under running water (40°C max) (Fig. 17). Leave for at least 24hrs or until fully dry before replacing.

Cleaning and replacing the powered head brushbar

1. Using a coin, push and turn the brushbar lock anticlockwise to release the brushbar (Fig. 19/1).
2. Pull the brushbar out from the brushbar housing (Fig. 20/1).
3. To remove any threads or hair, slide the blade of a pair of scissors into the groove on the brushbar and cut along the groove. Clear any dirt/debris from the end caps and inside the housing of the powered head (Fig. 21).
4. Refit the brushbar (Fig. 20/2) and turn the brushbar lock clockwise to lock (Fig. 19/2).

Removing and replacing the powered head belt

1. Using a cross head screwdriver, unscrew the 3 screws and remove the cover (Fig. 22/1).
2. If the belt is broken, remove the old belt and clean any debris from the cogs. To replace the belt firstly hook the belt over the small cog. Slide the belt over the top of the large cog and rotate the belt and cog anticlockwise. During rotation the belt will slide onto the cog (Fig. 22/2).
3. Refit the belt cover and tighten the screws to secure.

Checking for blockages

1. Press the handheld release button and remove the reach wand. Check and clear any dirt and debris from the handheld connection point and the bin inlet. (Fig. 23/1).

2. Check the powered head for any blockages and use a blunt object to remove the blockage.

(Fig. 23/2).

3. To test for a blockage in the reach wand, drop a small ball of paper into the wand. The paper will drop through if the wand is clear. Use a broom handle or similar blunt object to remove any blockage (Fig. 23/3).

ACCESSORIES AND SPARE PARTS

Visit our website at:

www.dirtdevil.de

On our website you will find a large selection of spare parts and accessories as well as practical tips and tricks for your Dirt Devil product.

TROUBLESHOOTING

There is an accessory missing

Check the contents (Fig. 2).

Why does the stick vac have no power?

- The stick vac may need recharging.
Go to **Charging the stick vac**.
- The motor thermostat may have tripped.
Empty the dirt container and check for blockages.
Clean the filters and allow the stick vac to cool for approximately 1 hour. If you have washed the filters, wait 24 hours to fully dry before placing back on the stick vac.

Why won't the stick vac pick up?

- The dirt container may not be correctly fitted.
Go to **Removing and the refitting the dirt container**.
- The dirt container may be blocked. Check the dirt container and hand held inlet for blockages.
Go to **Emptying the dirt container**.
- The filters may be clogged. Go to **Cleaning the filter and separator**.
- There maybe a blockage. Go to **Checking for blockages**.
- The brushbar on the powered head has not been activated. Go to **Using the stick vac**.
- The powered head may be blocked.
Go to **Cleaning and replacing the powered head brushbar**.
- The stick vac, powered head and reach wand may not be correctly fitted. Go to **Unpacking and assembly**.

Why is there a red light on the unit?

- Battery charge is running low (<20%).
Go to **Charging the stick vac**.

Why is there a red light on the powered head?

- The powered head brushbar has been obstructed. Go to **Cleaning and replacing the powered head brushbar**.

Why won't the powered head turn?

- The brushbar on the powered head has not been activated. Go to **Using the stick vac**.
- The tool/brushbar may be obstructed.
Go to **Cleaning and replacing the powered head brushbar**.
- The stick vac, powered head and reach wand may not be correctly fitted. Go to **Unpacking and assembly**.
- The belt on the tool may be broken. Go to **Removing and replacing the powered head belt**.

Before you contact our Dirt Devil customer service department or send the appliance to the Dirt Devil customer service department, you will find a lot of additional information in the service area of our website which will help you solve problems.
www.dirtdevil.de/service

SICHERHEITSHINWEISE

Über diese Bedienungsanleitung

Lesen Sie diese Bedienungsanleitung bitte vollständig durch, bevor Sie das Gerät benutzen. Bewahren Sie sie zum späteren Nachschlagen auf. Wenn Sie das Gerät an einen Dritten weitergeben, muss diese Bedienungsanleitung mit dem Gerät übergeben werden. Die Nichtbeachtung dieser Bedienungsanleitung kann zu schweren Verletzungen oder Schäden am Gerät führen. Für Schäden, die aufgrund der Nichtbeachtung dieser Bedienungsanleitung entstehen, übernehmen wir keine Haftung. Wichtige Informationen, die in diesem Kapitel nicht enthalten sind, sind wie folgt markiert:



WARNUNG: Warnt vor Gefahren für Ihre Gesundheit und zeigt mögliche Verletzungsrisiken auf.



ACHTUNG: Weist auf mögliche Gefährdungen für das Gerät oder andere Gegenstände hin.

HINWEIS Verweist auf Tipps und weitere Informationen.

Bestimmungsgemäßer Gebrauch

Dieser Handstaubsauger ist nur für den Einsatz im Haushalt und NICHT zum gewerblichen oder industriellen Einsatz geeignet.

- Verwenden Sie den Handstaubsauger nur auf trockenen Flächen in Innenräumen und sorgen Sie für eine gute Ausleuchtung des zu reinigenden Bereichs.
- Saugen Sie keine harten oder spitzen Gegenstände wie Glas, Nägel, Schrauben oder Münzen usw. auf.
- Saugen Sie keine heißen Kohlen, Zigarettenstummel, Streichhölzer oder andere Gegenstände auf, die brennen oder rauchen.
- Verwenden Sie das Gerät nicht in Bereichen mit aggressiven Flüssigkeiten (Rohrreiniger auf Chlor-, Bleiche- und Ammoniakbasis).

- Entfernen Sie Verstopfungen nicht mit spitzen Gegenständen, da Ihr Handstaubsauger hierdurch beschädigt werden könnte.
- Verwenden Sie mit diesem Handstaubsauger nur von Dirt Devil empfohlene Ladegeräte, Werkzeuge und Zubehör und kontrollieren Sie vor dem Gebrauch immer, ob der Saugfuß und das Zubehör frei von Schäden, Schmutz und Splintern sind.
- Trennen Sie den Handstaubsauger vor Wartungsarbeiten grundsätzlich vom Ladegerät. Beachten Sie hinsichtlich der erforderlichen Vorsichtsmaßnahmen bitte den entsprechenden Abschnitt der Bedienungsanleitung.
- Sorgen Sie vor dem Gebrauch Ihres Handstaubsaugers immer dafür, dass Staubbehälter und Filter korrekt eingesetzt sind.
- Achten Sie darauf, dass Öffnungen nicht blockiert sind und schmutzfrei bleiben, um den Luftstrom/die Saugkraft nicht zu beeinträchtigen.
- Gehen Sie beim Gebrauch des Handstaubsaugers auf Treppen besonders vorsichtig vor.



WARNUNG: Schalten Sie den Handstaubsauger immer aus und trennen Sie das Ladegerät vom Netz, bevor Sie Wartungs- oder Reparaturarbeiten in Angriff nehmen.



ACHTUNG: Überfüllen Sie den Staubbehälter nicht, um den Luftstrom durch den Handstaubsauger nicht zu blockieren. Für ein optimales Reinigungsergebnis sollten Sie den Staubbehälter nach jedem Gebrauch entleeren. Die Filter sollten nach 4- bis 6-maligem Gebrauch über einem Abfalleimer ausgeklopft werden, um Staub und Schmutz zu entfernen, und alle 3 Monate ausgewaschen werden. Die Filter sollten, je nach Häufigkeit des Gebrauchs, alle 6 bis 9 Monate ausgetauscht werden.

Sicherheit

- Dieser Handstaubsauger kann von Kindern ab 8 Jahren sowie von Personen mit eingeschränkten physischen, sensorischen oder mentalen Fähigkeiten oder mit mangelnder Erfahrung und ungenügenden Kenntnissen verwendet werden, sofern diese unter Aufsicht arbeiten oder in der sicheren Anwendung des Geräts unterwiesen wurden und die damit einhergehenden Gefahren kennen. Kinder dürfen nicht mit dem Gerät spielen. Kinder sollten beim Gebrauch und der Wartung des Geräts nicht ohne Aufsicht bleiben.
- Während des Gebrauchs des Handstaubsaugers Finger, Haare und lose sitzende Bekleidung von sich bewegenden Teilen und Öffnungen fernhalten.
- Falls das Gerät heruntergefallen, beschädigt oder in Wasser eingetaucht worden ist, darf es nicht mehr verwendet werden.
- Fassen Sie den Ladestecker bzw. den Handstaubsauger nicht mit feuchten Händen an.
- Verwenden Sie den Handstaubsauger nicht, wenn Kabel oder Stecker des Ladegeräts beschädigt sind.
- Trennen Sie das Ladegerät nicht durch Ziehen am Stromkabel vom Netz.

Spannungsversorgung

- Laden Sie den Handstaubsauger nicht im Freien und lassen Sie ihn nicht am Stromnetz, wenn er nicht in Gebrauch ist.
- Verwenden Sie den Handstaubsauger nicht mit dem falschen Ladegerät, da dies zu Schäden am Gerät oder Verletzungen des Bedieners führen könnte. Die Angaben zum korrekten Ladegerät befinden sich auf dem Typenschild.
- Verwenden Sie nur das mit dem Handstaubsauger gelieferte Ladegerät. Verwenden Sie beim Laden des Handstaubsaugers über ein Verlängerungskabel nur ein Kabel mit CE-Kennzeichnung, das für eine Stromstärke von 13 A ausgelegt ist. Nicht zugelassene Verlängerungskabel könnten überhitzen. Achten Sie darauf, dass das Verlängerungskabel keine Stolpergefahr darstellt.

Bürstwalze



WARNUNG: Die Bürstwalze in der Turbobürste rotiert ständig, wenn sie eingeschaltet ist. Verwenden Sie die Turbobürste nicht längere Zeit an derselben Stelle, da die Bürstwalze die Oberfläche des Bodens beschädigen könnte. Schalten Sie die Bürstwalze der Turbobürste bei der Reinigung harter Böden grundsätzlich aus. Um Schäden sicher zu vermeiden, sollten Sie zuerst einen Reinigungsversuch auf einem gewöhnlich nicht sichtbaren Bereich des Bodens unternehmen.



ACHTUNG: Wenn die Bürstwalze in der Turbobürste blockiert worden ist, kann es sein, dass der Sensor zum Schutz des Motors angesprochen hat. In diesem Fall schaltet die Bürstwalze ab, und die Kontrollleuchte an der Turbobürste leuchtet rot. Um die Abschaltung aufzuheben, schalten Sie die Bürstwalze und den Handstaubsauger aus, nehmen die Turbobürste vom Saugrohr bzw. dem Handstaubsauger ab und entfernen eventuelle Gegenstände, die die Bürste blockieren. Warten Sie eine Minute, bevor Sie die Turbobürste wieder anschließen, schalten Sie den Handstaubsauger ein und drücken Sie die Taste ON/OFF der Bürstwalze.

Lagerung

- Lagern Sie den Handstaubsauger kühl und trocken. Wenn Filter entsprechend der Anleitung gereinigt worden sind, müssen sie vor dem Einlagern des Geräts vollständig getrocknet sein. Die Handstaubsauger steht von allein nicht aufrecht. Legen Sie ihn nach dem Gebrauch an einem geeigneten Ort flach auf den Boden. Achten Sie darauf, dass er nicht zur Stolperfalle wird oder versehentlich darauf getreten werden kann.

Batterie und Entsorgung



ACHTUNG: Bei unsachgemäßem Umgang mit der Batterie dieses Geräts besteht Brand- oder Verletzungsgefahr. Sie dürfen sie keinesfalls zerlegen, über die vom Hersteller angegebene maximale Temperatur (60 °C) erhitzen oder verbrennen. Bei der Verwendung einer anderen Batterie besteht Brand- oder Explosionsgefahr.

■ Die Batterie muss vor der Entsorgung aus dem Gerät entfernt werden. Die verbrauchte Batterie muss umgehend und sicher entsorgt werden. Halten Sie sie von Kindern fern. Schützen Sie vor der Entsorgung offenliegende Anschlüsse mit dickem Isolierband, um Kurzschlüsse zu vermeiden. Die Batterie ist bei Ihrer örtlichen Annahmestelle für gebrauchte Batterien zu entsorgen.

■ Versuchen Sie nicht, die Batterie zu zerlegen, entfernen Sie Gegenstände, die aus den Batterieanschlüssen herausragen, und werfen Sie die verbrauchte Batterie nicht ins Feuer. Batterie und Ladegerät enthalten keine Teile, die vom Anwender repariert werden können. Es besteht Brand- und Verletzungsgefahr.

■ Das Gerät muss vor dem Gebrauch oder bei der Entnahme der Batterie zur Entsorgung vom Netz getrennt werden. Falls Batterieflüssigkeit ausläuft, vermeiden Sie den Kontakt mit der Haut und wenden Sie sich an die Rufnummer +800 2672 6677.

BEWAHREN SIE DIESE ANLEITUNG ZUM KÜNFTIGEN NACHSCHLAGEN BITTE AUF.

Vielen Dank!

Wir freuen uns, dass Sie sich für den Kauf eines Produkts von Dirt Devil entschieden haben.

Wir wünschen Ihnen viel Freude mit dem Gerät und danken Ihnen für den Kauf!

Weitere Informationen zu Ihrem Gerät finden Sie in dieser Bedienungsanleitung und auf unserer Website www.dirtdevil.de. Die Kontaktdaten des Dirt Devil Kundendiensts finden Sie auf Seite 2.

Technische Daten

Art des Geräts	2in1 Akku-Handstaubsauger
Modell	DD778, DD778 (-0/.../-9)
Akku	Li-Ionen, 32 V
max. Betriebsdauer	ca. 45 min
max. Ladezeit	ca. 4 Stunden
Netzteil	Eingangsspannung: 100 – 240 V~, 1 A Ausgangsspannung: 34 V, 600 mA
Aufnahmekapazität des Staubbehälters	Max. Füllstand 0,3 l, max. Aufnahmevermögen 0,6 l
Leistung	234 W
Gewicht	3,1 kg

Umweltschutz und Entsorgung

Entnehmen Sie zur Entsorgung die Batterie und entsorgen Sie Batterie und Gerät getrennt.



Entsorgen Sie das Gerät, die Batterie oder das Ladegerät nicht über den Hausmüll.



Entsorgen Sie das Gerät, die Batterie und das Ladegerät getrennt an den entsprechenden Sammelstellen.

Li-Ionen

Gewährleistung

Falls Sie dieses Gerät als Endverbraucher innerhalb der Europäischen Union erworben haben, gelten zur Mindestdauer der Garantie die entsprechenden nationalen Bestimmungen nach der EU-Richtlinie 2011/83/EU. In Ländern außerhalb der EU gelten die im jeweiligen Land gültigen Mindestansprüche der Gewährleistung. Ausgenommen sind Batterien und Akkus, die infolge normalen Verschleißes oder unsachgemäßer Handhabung beschädigt wurden bzw. deren Laufzeit sich verkürzt hat.



Technische und gestalterische Änderungen im Zuge ständiger Produktverbesserungen vorbehalten.
© Royal Appliance International GmbH

LERNEN SIE IHR GERÄT KENNEN

Abb. 1

- A. Tragegriff
- B. Staubbehälter
- C. Entriegelungstaste
- D. Filterabdeckung und Filter
- E. Entriegelung des Staubbehälters
- F. Batteriezustandsanzeige
- G. Boost-Taste
- H. Taste Bürstwalze EIN/AUS
- I. EIN/AUS-Taste
- J. Ladeanschluss
- K. Saugrohr
- L. Turbobürste
- M. Bürstwalze
- N. Ladegerät
- O. Wandhalterung, 2 Schrauben und Dübel
- P. Ablagefach für Fugendüse

Inhalt Abb. 2

- A. Fugendüse
- B. Bürstenaufsatz

Auspacken und montieren

1. Nehmen Sie den Inhalt aus der Verpackung und überprüfen Sie ihn auf Vollständigkeit. (Abb. 1 und 2).
2. Verbinden Sie das Saugrohr und die Turbobürste mit dem Handstaubsauger. Richtig angeschlossen rasten sie hörbar ein (Abb. 3).
3. Befestigen Sie die Halterung für die Fugendüse unten am Saugrohr und setzen Sie den Aufsatz ein (Abb. 4).

Anbringen der Wandhalterung

1. Trennen Sie Handstaubsauger, Saugrohr und Turbobürste. Drücken Sie die Wandhalterung hinten oben auf das Saugrohr. (Abb. 5/1).
2. Wählen Sie einen geeigneten Aufbewahrungsort für den Handstaubsauger, vorzugsweise in der Nähe einer Steckdose, jedoch nicht direkt ober- oder unterhalb der Steckdose. Lehnen Sie die Turbobürste und das Saugrohr des Handstaubsaugers so an die Wand, dass die Turbobürste flach auf dem Boden steht.

3. Drücken Sie die Wandhalterung fest an die Wand und bringen Sie mit einem Bleistift Markierungen für die einzelnen Schrauben an. (Abb. 5/2) Befestigen Sie die Wandhalterung mit Hilfe der Schrauben und Dübel an der Wand.
4. Das Ladekabel und der Bürstenaufsatz können an der Wandhalterung befestigt werden (Abb. 6).
5. Setzen Sie den Handstaubsauger vollständig zusammen und drücken Sie ihn fest in die Wandhalterung, bis er sicher einrastet. Kontrollieren Sie immer, dass der Handstaubsauger korrekt eingerastet ist.

Laden des Handstaubsaugers

HINWEIS Vor dem ersten Gebrauch muss das Gerät 4 Stunden lang geladen werden. Falls die Batterie vor dem ersten Gebrauch nicht vollständig geladen wird, kann die Leistung der Batterie beeinträchtigt werden. Die Lebensdauer der Batterie hängt von den Einsatzbedingungen des Handstaubsaugers ab.

1. Zum Laden des Handstaubsaugers drücken Sie ihn fest in die Wandhalterung, bis er sicher einrastet. Sie können ihn auch ohne Saugrohr laden. Trennen Sie hierzu den Handstaubsauger vom Saugrohr und den Aufsätzen und legen Sie ihn auf eine stabile, ebene Fläche.
2. Verbinden Sie das Ladekabel mit dem Ladeanschluss (Abb. 1/J) am Tragegriff des Handstaubsaugers und das Ladegerät mit dem Stromnetz.
3. Die LED der Batterie-ladeanzeige leuchten während des Ladens nacheinander auf, bis alle vier LED leuchten (Abb. 7/1 und 7/2) Wenn die Batterie voll geladen ist, erlöschen die LED. Beim ersten Laden beträgt die Ladezeit 4 Stunden.
4. Wenn der Handstaubsauger eingeschaltet ist, zeigen die LED an, wie viel Ladung noch in der Batterie verbleibt. Bei weniger als 20% Ladung blinkt die unterste LED rot als Hinweis darauf, dass die Batterie

fast vollständig entladen ist und geladen werden muss (Abb. **7**/3).

Einsatz des Handstaubsaugers



WARNUNG: Die Bürstwalze in der Turbobürste rotiert ständig, wenn sie eingeschaltet ist. Verwenden Sie die Turbobürste nicht längere Zeit an derselben Stelle, da die Bürstwalze die Oberfläche des Bodens beschädigen könnte. Schalten Sie die Bürstwalze der Turbobürste bei der Reinigung harter Böden grundsätzlich aus. Um Schäden sicher zu vermeiden, sollten Sie zuerst einen Reinigungsversuch auf einem gewöhnlich nicht sichtbaren Bereich des Bodens unternehmen.



ACHTUNG: Wenn die Bürstwalze in der Turbobürste blockiert worden ist, kann es sein, dass der Sensor zum Schutz des Motors angesprochen hat. In diesem Fall schaltet die Bürstwalze ab, und die Kontrollleuchte an der Turbobürste leuchtet rot (Abb. **18**). Um die Abschaltung aufzuheben, schalten Sie die Bürstwalze und den Handstaubsauger aus, nehmen die Turbobürste vom Saugrohr bzw. dem Handstaubsauger ab und entfernen eventuelle Gegenstände, die die Bürste blockieren. Warten Sie eine Minute, bevor Sie die Turbobürste wieder anschließen, schalten Sie den Handstaubsauger ein und drücken Sie die Taste EIN/AUS der Bürstwalze.

1. Stellen Sie Ihren Fuß auf die Turbobürste (Abb. **8**/1) und ziehen Sie den Handgriff nach hinten, um die Neigung zu verstellen (Abb. **8**/2).
2. Schalten Sie den Handstaubsauger ein, indem Sie die EIN/AUS-Taste am Handgriff drücken. (Abb. **9**/1) Die Ein/Aus-Taste und die Batteriezustandsanzeige am Handgriff leuchten auf (Abb. **7**/2).
3. Um die Saugleistung in stark verschmutzten Bereichen zu erhöhen, kann der Boost-Modus aktiviert werden (Abb. **9**/3).

4. Um die Bürstwalze einzuschalten, drücken Sie die EIN/AUS-Taste der Bürstwalze (Abb. **9**/2). Die Kontrollleuchte an der Turbobürste leuchtet, wenn die Bürstwalze eingeschaltet ist, und die Bürstwalze rotiert ständig. Um die Bürstwalze auszuschalten, drücken Sie nochmals die EIN/AUS-Taste der Bürstwalze.

HINWEIS: Die Bürstwalze der Turbobürste sollte beim Saugen auf Teppichen eingeschaltet und auf harten Böden ausgeschaltet werden. Ein längerer Betrieb im Boost-Modus und mit eingeschalteter Bürstwalze geht auf Kosten der Laufzeit mit einer Batterieladung.

5. Das gesamte Zubehör, einschließlich der Turbobürste, kann direkt am Handstaubsauger (Abb. **10**) oder am Saugrohr angeschlossen werden. Die Fugendüse und der Bürstenaufsatz können für schwer zugängliche Stellen und in verschiedenen Höhen zum Reinigen oberhalb des Bodens verwendet werden.

WARTUNG DES HANDSTAUBSAUGERS



WARNUNG: Schalten Sie den Handstaubsauger immer aus und trennen Sie das Ladegerät vom Netz, bevor Sie Wartungs- oder Reparaturarbeiten in Angriff nehmen.

Abnehmen und Einsetzen des Staubbehälters

1. Drücken Sie die Verriegelung am Staubbehälter nach unten (Abb. **11**/1), um ihn zu entriegeln, kippen und heben Sie den Staubbehälter aus dem Handstaubsauger (Abb. **11**/2).

HINWEIS: Wenn der Deckel des Staubbehälters mit Separator zur Reinigung abgenommen worden war, achten Sie darauf, dass das Separator wieder eingesetzt und der Deckel verriegelt ist, bevor Sie den Staubbehälter wieder anbringen (Abb. **13**/1).

2. Um den Staubbehälter wieder einzusetzen, setzen Sie den Anschluss des Staubbehälters am Griff des Handstaubsaugers an. (Abb. **12/1**) Betätigen Sie die Entriegelung des Staubbehälters (Abb. **12/2**) und drücken Sie den Staubbehälter auf den Handstaubsauger. Geben Sie die Verriegelung des Staubbehälters frei, damit er einrastet.

3. Wenn er richtig eingesetzt ist, sind alle 3 Anschlusspunkte korrekt ausgerichtet und er sitzt bündig im Gerät (Abb. **13**).

Entleeren des Staubbehälters

1. Drücken Sie die Verriegelung am Staubbehälter nach unten (Abb. **11/1**), um ihn zu entriegeln, kippen und heben Sie den Staubbehälter aus dem Handstaubsauger (Abb. **11/2**).

2. Halten Sie den Staubbehälter über einen Abfalleimer und drücken Sie die Taste zum Öffnen des Behälters, damit Schmutz und Staub herausfallen können. (Abb. **14/1** und 2).

3. Drücken Sie zum Schließen die Klappe des Staubbehälters nach oben, bis sie einrastet. (Abb. **14/3**).



ACHTUNG: Überfüllen Sie den Staubbehälter nicht, um den Luftstrom durch den Handstaubsauger nicht zu blockieren. Für ein optimales Reinigungsergebnis sollten Sie den Staubbehälter nach jedem Gebrauch entleeren. Die Filter sollten nach 4- bis 6-maligem Gebrauch über einem Abfalleimer ausgeklopft werden, um Staub und Schmutz zu entfernen, und alle 3 Monate ausgewaschen werden. Die Filter sollten, je nach Häufigkeit des Gebrauchs, alle 6 bis 9 Monate ausgetauscht werden.

Reinigen von Filter und Separator

1. Entleeren Sie den Staubbehälter (Abb. **14**).

2. Ziehen Sie den Hebel am Deckel des Staubbehälters nach oben (Abb. **15/1** und 2). Heben Sie den Filterdeckel und den Separator aus dem Staubbehälter (Abb. **15/3**).

3. Halten Sie den Separator über einen Abfalleimer und klopfen Sie darauf, um Staub und Schmutz zu entfernen. Wischen Sie den Metallkragen mit einem trockenen Tuch ab (Abb. **16/1**).

4. Ziehen Sie den Hebel am Filter, um ihn aus dem Separator zu entfernen (Abb. **16/2**). Klopfen Sie den Filter gegen die Innenwand des Eimers, um Staub und Schmutz zu entfernen (Abb. **16/3**).

5. Waschen Sie den Filter unter fließendem Wasser aus (max. 40 °C) (Abb. **17**). Warten Sie mindestens 24 Stunden oder bis der Filter vollständig getrocknet ist, bevor Sie ihn wieder einsetzen.

Reinigen und austauschen der Bürstwalze der Turbobürste

1. Drücken und drehen Sie mit einer Münze die Verriegelung der Bürstwalze gegen den Uhrzeigersinn, um sie zu lösen (Abb. **19/1**).

2. Ziehen Sie die Bürstwalze aus dem Gehäuse der Turbobürste heraus (Abb. **20/1**).

3. Um Fäden oder Haare zu entfernen, schieben Sie die Klinge einer Schere in die Nut der Bürstwalze und schneiden entlang dieser Nut. Entfernen Sie Schmutz und Staub aus den Endkappen und aus dem Gehäuse der Turbobürste (Abb. **21**).

4. Setzen Sie die Bürstwalze wieder ein (Abb. **20/2**) und drehen Sie die Verriegelung im Uhrzeigersinn (Abb. **19/2**).

Ausbauen und austauschen des Antriebsriemens der Turbobürste

1. Lösen Sie mit einem Kreuzschlitzschraubendreher die 3 Schrauben und nehmen Sie die Abdeckung ab (Abb. **22**/1).
2. Falls der Riemen beschädigt ist, entfernen Sie den alten Riemen und eventuellen Staub vom Ritzel. Setzen Sie den Riemen beim Einbau zuerst auf das kleine Ritzel. Schieben Sie den Riemen über den Rand des großen Ritzels und drehen Sie Riemen und Ritzel gegen den Uhrzeigersinn. Während des Drehens legt sich der Riemen auf das Ritzel (Abb. **22**/2).
3. Setzen Sie die Abdeckung wieder auf und ziehen Sie die Schrauben wieder an.

Überprüfen auf Verstopfung

1. Drücken Sie die Entriegelungstaste des Handstaubsaugers und nehmen Sie das Saugrohr ab. Entfernen Sie eventuellen Schmutz und Staub vom Anschlusspunkt des Handstaubsaugers und dem Einlass des Staubbehälters. (Abb. **23**/1).
2. Kontrollieren Sie die Turbobürste auf eventuelle Blockierungen und entfernen Sie sie mit einem stumpfen Gegenstand. (Abb. **23**/2).
3. Lassen Sie, um das Saugrohr auf eventuelle Blockierungen zu überprüfen, eine kleine Papierkugel durch das Rohr fallen. Wenn das Rohr frei ist, fällt die Kugel ungehindert hindurch. Entfernen Sie eventuelle Blockierungen mit einem Besenstiel oder einem ähnlichen stumpfen Gegenstand (Abb. **23**/3).

ZUBEHÖR UND ERSATZTEILE

Besuchen Sie uns im Internet unter:

www.dirtdevil.de

Auf unserer Webseite finden Sie eine große Auswahl an Ersatzteilen & Zubehör sowie praktische Tipps & Tricks zu Ihrem Dirt Devil-Produkt.

FEHLERSUCHE

Es fehlt ein Zubehör.

Kontrollieren Sie den Inhalt (Abb. **2**).

Warum läuft der Handstaubsauger nicht?

■ Es kann sein, dass der Handstaubsauger geladen werden muss. Siehe: **Laden des Handstaubsaugers**.

■ Der Motorthermostat wurde möglicherweise ausgelöst. Entleeren Sie den Staubbehälter und kontrollieren Sie das Gerät auf Blockierungen. Reinigen Sie die Filter und lassen Sie den Handstaubsauger etwa 1 Stunde lang abkühlen. Lassen Sie die Filter nach dem Auswaschen 24 Stunden lang vollständig trocknen, bevor Sie sie wieder in den Handstaubsauger einsetzen.

Warum saugt das Gerät Schmutz nicht auf?

■ Der Staubbehälter ist möglicherweise nicht korrekt eingesetzt. Siehe: **Abnehmen und Einsetzen des Staubbehälters**.

■ Der Staubbehälter ist möglicherweise blockiert. Kontrollieren Sie den Staubbehälter und den Einlass des Geräts auf Blockierungen. Siehe: **Entleeren des Staubbehälters**.

■ Die Filter sind möglicherweise verstopft. Siehe: **Reinigen von Filter und Separator**.

■ Das Gerät ist eventuell verstopft. Siehe: **Überprüfen auf Verstopfung**.

■ Die Bürstwalze der Turbobürste ist nicht eingeschaltet. Siehe: **Einsatz des Handstaubsaugers**.

■ Die Turbobürste ist möglicherweise blockiert. Siehe: **Reinigen und austauschen der Bürstwalze der Turbobürste**.

■ Handstaubsauger, Turbobürste und Saugrohr sind möglicherweise nicht korrekt miteinander verbunden. Siehe: **Auspacken und montieren**.

Warum leuchtet am Gerät eine rote Kontrollleuchte?

■ Die Batterie ist fast entladen (< 20%). Siehe: **Laden des Handstaubsaugers**.

Warum leuchtet die rote Kontrollleuchte an der Turbobürste?

■ Die Bürstwalze in der Turbobürste ist blockiert. Siehe: **Reinigen und austauschen der Bürstwalze der Turbobürste**.

Warum rotiert die Turbobürste nicht?

■ Die Bürstwalze der Turbobürste ist nicht eingeschaltet. Siehe: **Einsatz des Handstaubsaugers**.

■ Aufsatz oder Bürstwalze ist möglicherweise verstopft. Siehe: **Reinigen und austauschen der Bürstwalze der Turbobürste**.

■ Handstaubsauger, Turbobürste und Saugrohr sind möglicherweise nicht korrekt miteinander verbunden. Siehe: **Auspacken und montieren**.

■ Der Riemen der Bürstwalze ist möglicherweise gerissen. Siehe: **Ausbauen und austauschen des Antriebsriemens der Turbobürste**.

Bevor Sie sich an unseren Dirt Devil Kundendienst wenden oder das Gerät zum Dirt Devil Kundendienst einsenden, sollten Sie die vielen zusätzlichen Hinweise im Bereich Kundendienst unserer Website beachten, die Ihnen bei der Lösung von Problemen helfen können.

www.dirtdevil.de/service

CONSIGNES DE SÉCURITÉ

À propos de ce mode d'emploi

Veillez lire ce mode d'emploi dans son intégralité avant d'utiliser l'appareil. Veuillez conserver ce mode d'emploi à titre de référence. Si vous cédez votre appareil à un tiers, celui-ci doit être accompagné de ce mode d'emploi. Le non-respect de ce mode d'emploi peut causer de graves blessures ou endommager l'appareil. Nous n'assumons aucune responsabilité quant aux dommages causés suite au non-respect de ce mode d'emploi. Les informations importantes qui ne figurent pas dans ce chapitre sont indiquées comme suit :



AVERTISSEMENT : Nous vous avertissons des dangers pouvant mettre en péril votre santé et nous vous informons sur les éventuels risques de blessures.



ATTENTION : Nous attirons votre attention sur les risques éventuels pour l'appareil ou pour tout autre objet.

REMARQUE Les astuces et les informations sont bien mises en évidence.

Usage général

Cet aspirateur balai a été conçu exclusivement pour un usage domestique et NON pour un usage commercial ou industriel.

- N'utilisez cet aspirateur balai qu'en intérieur, sur des surfaces sèches, en veillant à ce que l'endroit soit bien éclairé.
- N'aspirez pas d'objets durs ou pointus, comme le verre, les clous, les vis, les pièces de monnaie, etc.
- N'aspirez pas les braises chaudes, les mégots de cigarettes, les allumettes ou d'autres éléments qui brûlent ou fument.
- N'utilisez pas l'aspirateur dans un environnement mouillé ou susceptible de contenir des liquides nocifs (chlore, eau de Javel ou déboucheur à l'ammoniaque).
- N'essayez pas d'éliminer les obstructions au sein de l'aspirateur à l'aide d'un objet pointu, sous peine de l'endommager.

■ Seul le chargeur, les outils et les accessoires recommandés par Dirt Devil peuvent être utilisés avec cet aspirateur balai ; vérifiez toujours que la tête aspirante et les accessoires sont exempts de dommages, de saleté et de débris avant utilisation.

■ Il convient systématiquement d'éteindre ou de débrancher l'aspirateur du chargeur avant d'effectuer une quelconque intervention d'entretien. Veuillez vous reporter à la section appropriée de ce mode d'emploi afin de prendre connaissance des précautions auxquelles vous conformer.

■ Assurez-vous toujours que le séparateur et les filtres sont correctement installés avant d'utiliser l'aspirateur balai.

■ Veillez à ce que les ouvertures de l'appareil soient exemptes d'obstructions et débris, susceptibles de nuire à la qualité du débit d'air et de l'aspiration.

■ Agissez avec prudence lorsque vous utilisez l'aspirateur balai dans les escaliers.



AVERTISSEMENT : Éteignez toujours l'aspirateur et débranchez-le du chargeur et du secteur avant d'effectuer toute opération d'entretien ou de dépannage.



ATTENTION : Ne remplissez pas trop le bac à poussières pour éviter d'obstruer la circulation de l'air à travers l'aspirateur balai. Pour un nettoyage optimal, videz le bac à poussières après chaque utilisation. Il convient de tapoter sur les filtres au-dessus d'une poubelle toutes les 4 à 6 utilisations pour retirer la saleté et les débris et de les laver tous les 3 mois. Les filtres doivent être remplacés tous les 6 à 9 mois selon la fréquence d'utilisation.

Sécurité

■ Cet aspirateur balai peut être utilisé par les enfants à partir de huit ans et par les personnes aux capacités physiques, sensorielles ou mentales réduites ne disposant que d'une expérience et de connaissances limitées de ce genre de produits, si toutefois elles sont surveillées et formées quant à son utilisation en toute sécurité et comprennent ses dangers potentiels.


Les enfants ne doivent pas jouer avec cet aspirateur balai. Les enfants ne doivent pas procéder au nettoyage ou à l'entretien de cet appareil sans surveillance.


- N'approchez pas les doigts, les cheveux ou les vêtements amples des pièces mobiles et des ouvertures pendant l'utilisation de l'aspirateur balai.
- N'utilisez pas l'aspirateur balai s'il est tombé, s'il a été endommagé, immergé dans l'eau ou laissé à l'extérieur.
- Ne manipulez pas la fiche du chargeur et n'utilisez pas l'aspirateur balai si vos mains sont humides.
- N'utilisez pas le chargeur de l'aspirateur balai si le cordon ou la fiche est endommagé(e).
- Ne tirez pas sur le cordon d'alimentation du chargeur pour débrancher le chargeur.

Alimentation électrique

- Ne chargez pas l'aspirateur à l'extérieur et ne laissez pas le chargeur branché au secteur lorsque celui-ci n'est pas utilisé.
- N'utilisez pas l'aspirateur balai avec un chargeur inadapté, ceci pourrait provoquer sa détérioration ou blesser l'utilisateur. Les informations relatives au chargeur adéquat figurent sur l'étiquette des caractéristiques nominales de l'appareil.
- Utilisez toujours le chargeur fourni avec l'aspirateur balai. Si vous chargez l'aspirateur balai à l'aide d'une rallonge, n'utilisez que des rallonges de 13 ampères homologuées CE ; les rallonges non homologuées peuvent occasionner des surchauffes. Prenez vos précautions lorsque vous utilisez la rallonge, celle-ci peut présenter un risque de trébuchement.

Brosse rotative cylindrique

 **AVERTISSEMENT** : La brosse rotative cylindrique que contient la tête d'aspiration motorisée est en rotation constante lorsqu'elle est activée. Ne laissez jamais la tête fonctionner à un endroit fixe pendant une période prolongée, la brosse rotative cylindrique pouvant endommager la surface du sol. Désactivez toujours la brosse rotative cylindrique de la tête d'aspiration motorisée lorsque vous nettoyez des sols durs. Pour éviter tout dommage, faites tout d'abord un essai sur une partie non visible du sol.

 **ATTENTION** : Si la brosse rotative cylindrique de la tête d'aspiration motorisée a été obstruée, il se peut que le capteur de protection du moteur de la brosse rotative cylindrique ait été activé. La brosse rotative cylindrique s'arrête et le voyant de la tête d'aspiration motorisée devient rouge. Pour effectuer une réinitialisation, éteignez la brosse rotative cylindrique et l'aspirateur balai, retirez la tête d'aspiration motorisée du manche/de l'aspirateur à main et éliminez toute obstruction. Patientez 1 minute avant de réinstaller la tête d'aspiration motorisée, allumez l'aspirateur balai et appuyez sur le bouton ON/OFF de la brosse rotative cylindrique.

Stockage

- Stockez votre aspirateur balai dans un endroit frais et sec. Si les filtres ont été nettoyés conformément aux instructions du mode d'emploi, assurez-vous qu'ils sont bien secs avant de les ranger. Cet aspirateur balai ne tient pas debout sans support. Entre les utilisations, posez l'aspirateur à plat sur le sol dans un lieu adéquat, de manière à ce qu'il ne constitue aucun danger de trébuchement ou à ce que personne ne puisse marcher dessus.

Batterie et élimination



ATTENTION : La batterie employée dans cet appareil peut présenter un risque d'incendie ou de brûlure chimique si elle est mal utilisée. Ne démontez jamais l'aspirateur, ne l'exposez jamais à des températures supérieures à la limite maximale indiquée par le fabricant (60° C/140 °F) et ne l'incinerez pas. L'utilisation d'une autre batterie peut présenter un risque d'incendie et d'explosion.

■ La batterie doit être retirée de l'appareil avant que celui-ci ne soit mis au rebut et la batterie usagée doit être éliminée rapidement et en toute sécurité. Tenez l'appareil hors de portée des enfants. Avant élimination, protégez les contacts exposés avec du ruban isolant épais pour éviter tout court-circuit. La batterie doit être mise au rebut en toute sécurité dans un centre de recyclage local.

■ Ne tentez pas de démonter la batterie, enlevez tout composant qui dépasse des contacts de la batterie et ne jetez pas la batterie au feu. La batterie et le chargeur ne comportent aucune pièce réparable par l'utilisateur. Un incendie ou des blessures peuvent en résulter.

■ L'appareil doit être débranché du secteur avant utilisation ou lors du retrait de la batterie avant élimination. En cas de fuite de la batterie, évitez tout contact avec la peau et composez le +800 2672 6677.

NOUS VOUS RECOMMANDONS DE CONSERVER CE MODE D'EMPLOI AFIN DE POUVOIR LE CONSULTER EN CAS DE BESOIN

Merci beaucoup !

Nous sommes ravis que vous ayez choisi un produit signé Dirt Devil. Nous espérons que votre appareil vous apportera entière satisfaction et nous vous remercions de votre achat !

De plus amples informations concernant votre produit figurent dans le présent mode d'emploi ainsi que sur notre site Web www.dirtdevil.de. Afin de contacter le service après-vente Dirt Devil, consultez la page 2, celle-ci contient les coordonnées nécessaires.

Caractéristiques techniques

Type d'appareil	Aspirateur sans fil
Modèle	DD778, DD778 (-0/.../-9)
Batterie rechargeable	Li-ion, 32 V
autonomie maximale	env. 45 min
temps de charge maximal	env. 4 h
Adaptateur secteur	Entrée : 100 – 240 V ~, 1 A Sortie : 34 V, 600 mA
Capacité du bac à poussières	Remplissage max. 0,3 l ; Capacité max. 0,6 l
Puissance	234 W
Poids	3,1 kg

Protection de l'environnement et élimination

Si vous souhaitez éliminer l'appareil, retirez la batterie rechargeable et jetez-la -ainsi que l'appareil séparément.



Ne jetez pas l'appareil, la batterie rechargeable ou l'adaptateur secteur avec les ordures ménagères.



Éliminez l'appareil, la batterie rechargeable et l'adaptateur secteur séparément auprès des centres de collecte adéquats.

Li-ion

Garantie

Si vous avez acheté l'appareil en tant que consommateur au sein de l'Union européenne, la législation nationale mise en œuvre conformément à la directive européenne 2011/83/UE s'applique et représente la garantie minimale standard. Au sein des pays non membres de l'UE, les exigences minimales en termes de garantie du pays concerné s'appliquent. Sont exclues les batteries et batteries rechargeables défectueuses ou dont la longévité a diminué en raison d'une usure normale ou d'une utilisation abusive.



Sous réserve de modifications d'ordre technique ou conceptuel liées à l'amélioration continue du produit.
© Royal Appliance International GmbH

PRISE EN MAIN DE VOTRE APPAREIL

Fig. 1

- A. Poignée de transport
- B. Bac à poussières
- C. Bouton d'évacuation de la poussière
- D. Filtre et cache-filtre
- E. Loquet de blocage du bac à poussières
- F. Voyant lumineux du niveau de batterie
- G. Bouton Boost
- H. Interrupteur marche/arrêt de la brosse rotative cylindrique
- I. Interrupteur marche/arrêt
- J. Port de charge
- K. Manche
- L. Tête d'aspiration motorisée
- M. Brosse rotative cylindrique
- N. Chargeur
- O. Support mural, 2 vis et chevilles
- P. Support de rangement du suceur

Contenu Fig. 2

- A. Suceur
- B. Brosse dépoluissérante

Déballage et montage

1. Déballer l'ensemble et vérifiez que tous les éléments sont présents. (Fig. 1 et 2).
2. Reliez le manche et la tête d'aspiration motorisée à l'aspirateur à main. Le tout se clipsera (Fig. 3).
3. Poussez le support de rangement du suceur jusqu'au bas du manche et rangez-y le suceur (Fig. 4).

Fixation du support mural

1. Tandis que l'aspirateur à main n'est fixé ni au manche ni à la tête d'aspiration motorisée, placez le support mural en haut et au dos du manche. (Fig. 5/1).
2. Choisissez l'emplacement ou ranger votre aspirateur balai, de préférence à proximité d'une prise de courant, mais pas directement au-dessus ni en dessous de celle-ci. Tenez le manche équipé de la tête d'aspiration motorisée de l'aspirateur balai contre le mur, en veillant à ce que la tête d'aspiration motorisée soit bien à plat sur le sol.

3. En tenant fermement le support mural contre le mur, utilisez un crayon pour tracer un repère correspondant à chaque vis. (Fig. 5/2) Utilisez les vis et les chevilles pour fixer le support mural au mur.
4. Le cordon du chargeur et la brosse dépoluissérante peuvent être placés sur le support mural (Fig. 6).
5. Assemblez l'intégralité des composants de l'aspirateur balai et introduisez l'aspirateur dans son support mural en pressant fermement. Veillez toujours à ce que l'aspirateur balai soit bien introduit dans son support.

Chargement de l'aspirateur balai

REMARQUE La charge initiale dure 4 heures ; il est nécessaire de charger l'aspirateur avant la première utilisation. Si la batterie n'est pas complètement chargée avant la première utilisation, les performances de la batterie risquent d'être limitées. La durée de vie de la batterie varie en fonction de l'utilisation de l'aspirateur balai.

1. Pour charger l'aspirateur balai, enfoncez bien l'aspirateur balai dans son support mural. Vous pouvez également le charger en tant qu'aspirateur à main ; Détachez alors l'aspirateur du manche et des autres composants, puis placez-le sur une surface plane et stable.
2. Insérez le câble du chargeur dans le port de charge (Fig. 1/J) situé sur la poignée de transport de l'aspirateur à main et branchez la fiche du chargeur sur le secteur.
3. Les voyants indicateurs de la batterie s'allument à mesure que la batterie se recharge, jusqu'à ce que les quatre voyants soient allumés (Fig. 7/1 et 7/2) Une fois la batterie complètement chargée, les voyants s'éteignent. Lors du tout premier chargement, le temps de charge initial est de 4 heures.
4. Lorsque vous utilisez l'aspirateur balai, les voyants indicateurs s'allument pour indiquer la charge restante. Lorsque la charge restante est inférieure à 20 %, le voyant inférieur clignote en rouge, indiquant que la batterie est faible et qu'il est nécessaire de la recharger (Fig. 7/3).

Utilisation de l'aspirateur balai



AVERTISSEMENT : La brosse rotative cylindrique que contient la tête d'aspiration motorisée est en rotation constante lorsqu'elle est activée. Ne laissez jamais la tête fonctionner à un endroit fixe pendant une période prolongée, la brosse rotative cylindrique pouvant endommager la surface du sol. Désactivez toujours la brosse rotative cylindrique de la tête d'aspiration motorisée lorsque vous nettoyez des sols durs. Pour éviter tout dommage, faites tout d'abord un essai sur une partie non visible du sol.



ATTENTION : Si la brosse rotative cylindrique de la tête d'aspiration motorisée a été obstruée, il se peut que le capteur de protection du moteur de la brosse rotative cylindrique ait été activé. La brosse rotative cylindrique s'arrête et le voyant de la tête d'aspiration motorisée devient rouge (Fig. 18). Pour effectuer une réinitialisation, éteignez la brosse rotative cylindrique et l'aspirateur balai, retirez la tête d'aspiration motorisée du manche/de l'aspirateur à main et éliminez toute obstruction. Patientez 1 minute avant de réinstaller la tête d'aspiration motorisée, allumez l'aspirateur balai et appuyez sur le bouton ON/OFF de la brosse rotative cylindrique.

1. Placez votre pied sur la tête d'aspiration motorisée (Fig. 8 /1) et tirez la poignée vers l'arrière pour l'incliner (Fig. 8 /2).

2. Pour allumer l'aspirateur balai, appuyez sur l'interrupteur marche/arrêt situé sur la poignée. (Fig. 9 /1) L'interrupteur marche/arrêt et les voyants indicateurs de batterie sur la poignée s'allument (Fig. 7 /2).

3. Pour augmenter la puissance d'aspiration dans les zones particulièrement sales qui nécessitent un nettoyage plus poussé, il est possible d'activer le mode Boost (Fig. 9 /3).

4. Pour activer la brosse rotative cylindrique, appuyez sur l'interrupteur marche/arrêt de celle-ci (Fig. 9 /2). Le voyant de la tête d'aspiration motorisée et le voyant de l'interrupteur marche/arrêt de la brosse rotative cylindrique s'allument lorsque la brosse rotative cylindrique est allumée ; cette dernière sera alors en permanence en rotation. Appuyez de nouveau sur l'interrupteur marche/arrêt de la brosse rotative cylindrique pour l'éteindre.

REMARQUE : La brosse rotative cylindrique de la tête d'aspiration motorisée doit être activée pour le nettoyage des tapis et désactivée pour les planchers durs. L'utilisation systématique du mode Boost et de la brosse rotative cylindrique réduit l'autonomie de la batterie.

5. Tous les accessoires, y compris la tête d'aspiration motorisée, peuvent être fixés directement sur l'aspirateur à main (Fig. 10) ou sur le manche. Le suceur et la brosse dépoussiérante peuvent être utilisés pour les endroits difficiles d'accès et en hauteur, ils permettent de nettoyer les surfaces situées au-dessus du sol.

ENTRETIEN DE L'ASPIRATEUR BALAI



AVERTISSEMENT : Éteignez toujours l'aspirateur et débranchez-le du chargeur et du secteur avant d'effectuer toute opération d'entretien ou de dépannage.

Désinstallation et réinstallation du bac à poussières

1. Poussez le loquet de blocage sur le bac à poussières (Fig. 11 /1) pour libérer, incliner et soulever le bac à poussières, ce qui permet de le retirer de l'aspirateur balai (Fig. 11 /2).

REMARQUE : Avant de procéder au remontage, si le couvercle du bac avec le séparateur a été retiré à des fins de nettoyage, assurez-vous que le séparateur a bien été remonté et que le couvercle a bien été fixé (Fig. 13 /1).

2. Pour le remettre en place, alignez le mécanisme de raccordement du bac à poussières avec la poignée de l'aspirateur balai. (Fig. 12/1) Poussez le loquet de blocage du bac à poussières (Fig. 12/2), puis poussez le bac à poussières vers l'aspirateur balai.

Relâchez le loquet de blocage du bac à poussières afin que le bac à poussières ne puisse plus bouger.


3. Une fois installé correctement, les 3 points de raccordement seront alignés et au même niveau (Fig. 13).

Vidange du bac à poussières

1. Poussez le loquet de blocage sur le bac à poussières (Fig. 11/1) pour libérer, incliner et soulever le bac à poussières, ce qui permet de le retirer de l'aspirateur balai (Fig. 11/2).

2. Tenez le bac à poussières au-dessus d'une poubelle et appuyez sur le bouton de libération de la poussière pour permettre à la saleté et aux débris de tomber. (Fig. 14/1 & 2).

3. Pour refermer, poussez le clapet de libération de la poussière jusqu'à ce qu'il se bloque (Fig. 14/3).

 **ATTENTION :** Ne remplissez pas trop le bac à poussières pour éviter d'obstruer la circulation de l'air à travers l'aspirateur balai. Pour un nettoyage optimal, videz le bac à poussières après chaque utilisation. Il convient de tapoter sur les filtres au-dessus d'une poubelle toutes les 4 à 6 utilisations pour retirer la saleté et les débris et de les laver tous les 3 mois. Les filtres doivent être remplacés tous les 6 à 9 mois selon la fréquence d'utilisation.

Nettoyage du filtre et du séparateur

1. Videz le bac à poussières (Fig. 14).

2. Soulevez la languette du couvercle du bac à poussières (Fig. 15/1 & 2). Soulevez le couvercle du filtre et le séparateur du bac à poussières (Fig. 15/3).

3. Tapotez le séparateur au-dessus d'une poubelle pour enlever la saleté et les débris et essuyez le corps en métal avec un chiffon sec (Fig. 16/1).

4. Tirez sur la languette du filtre pour le retirer du séparateur (Fig. 16/2). Tapotez le filtre contre la poubelle pour en éliminer la saleté et les débris (Fig. 16/3).

5. Lavez le filtre à l'eau courante (40 °C max.) (Fig. 17). Laissez sécher durant 24 heures minimum ou jusqu'à ce qu'il soit complètement sec avant de le remettre en place.

Nettoyage et remplacement de la brosse rotative cylindrique de la tête d'aspiration motorisée

1. A l'aide d'une pièce de monnaie, tournez, tout en appuyant, le système de verrouillage de la brosse rotative cylindrique dans le sens inverse des aiguilles d'une montre afin que celle-ci se libère (Fig. 19/1).

2. Tirez la brosse rotative cylindrique hors de son logement (Fig. 20/1).

3. Pour retirer tous les fils et cheveux, glissez la lame d'une paire de ciseaux dans la rainure de la brosse rotative cylindrique et coupez le long de la rainure. Éliminez la poussière/les débris aux extrémités et à l'intérieur du logement de la tête d'aspiration motorisée (Fig. 21).

4. Réinstallez la brosse rotative cylindrique (Fig. 20/2) et tournez le mécanisme de verrouillage de la brosse rotative cylindrique dans le sens des aiguilles d'une montre pour la bloquer (Fig. 19/2).

Retrait et remplacement de la courroie de la tête d'aspiration motorisée

1. A l'aide d'un tournevis cruciforme, dévissez les trois vis et retirez le cache (Fig. 22/1).

2. Si la courroie est cassée, retirez l'ancienne courroie et nettoyez tous les débris des pignons. Pour remplacer la courroie, placez-la tout d'abord sur le petit pignon. Glissez la courroie sur le grand pignon et faites tourner la courroie et le pignon dans le sens inverse des aiguilles d'une montre. Pendant que vous la faites tourner, la courroie glisse sur le pignon (Fig. 22/2).

3. Réinstallez le cache de la courroie et serrez les vis pour le fixer.

Contrôle des obstructions

1. Appuyez sur le bouton de libération de l'aspirateur à main et retirez le manche de l'aspirateur. Vérifiez et enlevez la saleté et les débris au niveau du point de raccordement de l'aspirateur à main et de l'entrée du bac. (Fig. 23/1).

2. Vérifiez que la tête d'aspiration motorisée ne présente aucune obstruction, dans le cas contraire, utilisez un objet non tranchant pour éliminer l'obstruction. (Fig. 23/2).

3. Pour vérifier qu'il n'y a aucune obstruction dans le manche, lancez une petite boule de papier dans celui-ci. Celle-ci doit traverser le manche. Utilisez un manche à balai ou tout autre objet non tranchant de ce type pour retirer les éventuels blocages (Fig. 23/3).

ACCESSOIRES ET PIÈCES DE RECHANGE

Venez nous voir sur Internet à :

www.dirtdevil.de

Sur notre site, vous trouverez un grand choix de pièces détachées & d'accessoires, ainsi que des conseils & des astuces pratiques relatifs à votre produit de Dirt-Devil.

DÉPANNAGE

Un accessoire est manquant

Vérifiez le contenu (Fig. 2).

Pourquoi mon aspirateur n'est-il pas alimenté ?

■ L'aspirateur a peut-être besoin d'être rechargé. Consultez la section **Chargement de l'aspirateur balai**.

■ Il est possible que le thermostat du moteur ait déclenché le disjoncteur. Videz le bac à poussières et vérifiez qu'il n'y a aucune obstruction. Nettoyez les filtres et laissez l'aspirateur balai refroidir pendant environ 1 heure. Si vous avez lavé les filtres, patientez 24 heures afin qu'ils sèchent complètement avant de les remettre en place.

Pourquoi l'aspirateur ne ramasse-t-il pas les saletés ?

■ Il est possible que le bac à poussières ne soit pas correctement installé. Consultez la section **Désinstallation et réinstallation du bac à poussières**.

■ Il est possible que le bac à poussières soit obstrué. Vérifiez la présence d'obstructions au niveau de l'entrée de l'aspirateur à main et du bac à poussières. Consultez la section **Vidange du bac à poussières**.

■ Les filtres sont peut-être bouchés. Consultez la section **Nettoyage du filtre et du séparateur**.

■ Il est possible qu'ils soient obstrués. Consultez la section **Contrôle des obstructions**.

■ La brosse rotative cylindrique de la tête d'aspiration motorisée n'a pas été activée. Consultez la section **Utilisation de l'aspiration balai**.

■ Il est possible que la tête d'aspiration motorisée soit bloquée. Consultez la section **Nettoyage et remplacement de la brosse rotative cylindrique de la tête d'aspiration motorisée**.

■ L'aspirateur, la tête d'aspiration motorisée et le manche ne sont peut-être pas correctement installés. Consultez la section **Déballage et montage**.

Pourquoi y a-t-il un voyant rouge sur l'appareil ?

■ La charge de la batterie est faible (< 20 %)

Consultez la section **Chargement de l'aspirateur balai**.

Pourquoi y a-t-il un voyant rouge sur la tête d'aspiration motorisée ?

■ La brosse rotative cylindrique de la tête d'aspiration motorisée est obstruée. Consultez la section **Nettoyage et remplacement de la brosse rotative cylindrique de la tête d'aspiration motorisée**.

Pourquoi la tête d'aspiration motorisée ne tourne-t-elle pas ?

■ La brosse rotative cylindrique de la tête d'aspiration motorisée n'a pas été activée. Consultez la section **Utilisation de l'aspiration balai**.

■ Il est possible que la brosse rotative cylindrique/l'accessoire soit obstrué(e). Consultez la section **Nettoyage et remplacement de la brosse rotative cylindrique de la tête d'aspiration motorisée**.

■ L'aspirateur, la tête d'aspiration motorisée et le manche ne sont peut-être pas correctement installés. Consultez la section **Déballage et montage**.

■ La courroie est peut-être cassée. Consultez la section **Retrait et remplacement de la courroie de la tête d'aspiration motorisée**.

Avant de contacter le service clients Dirt Devil ou d'envoyer votre appareil au service clients Dirt Devil, consultez les nombreuses informations de la rubrique dédiée au service après-vente de notre site Web, vous y trouverez peut-être la solution à votre problème.
www.dirtdevil.de/service

INFORMACIÓN DE SEGURIDAD

Acerca de esta guía de usuario

Lea esta guía de usuario por completo antes de utilizar la máquina. Guarde bien esta guía de usuario para consultarla en el futuro. Si traspasa su máquina a terceros, deberá ir acompañada de esta guía de usuario. La inobservancia de esta guía de usuario puede causar graves lesiones o daños en la máquina. No asumimos responsabilidad alguna por los daños causados debido al incumplimiento de esta guía de usuario. La información importante no incluida en este capítulo se indica del siguiente modo:



AVISO: Advierte sobre peligros para su salud y muestra posibles riesgos de lesión.



ATENCIÓN: Indica la posibilidad de que la máquina u otros objetos corran peligro.

NOTA Destaca consejos e informaciones.

Uso general

Este aspirador vertical está concebido únicamente para el uso doméstico y NO para el uso comercial o industrial.

- Utilice el aspirador vertical exclusivamente en superficies secas y mantenga la zona que va a limpiar bien iluminada.
- No succione objetos rígidos o afilados como, por ejemplo, cristal, clavos, tornillos, monedas, etc.
- No succione carbón caliente, colillas, cerillas ni ningún otro objeto que esté incandescente o desprenda humo.
- No lo utilice en una zona mojada o donde pueda haber fluidos perjudiciales (cloro, lejía o limpiador de drenaje de amoníaco).
- No intente desobstruir su aspirador vertical con objetos afilados, ya que podría dañarlo.

■ Deben utilizarse exclusivamente el cargador, las boquillas y los accesorios recomendados por Dirt Devil con este aspirador vertical y debe comprobarse siempre que el accesorio para suelos y los demás accesorios no presenten daños, suciedad ni restos antes del uso.

■ Apague y desconecte siempre el aspirador vertical del cargador antes de realizar cualquier mantenimiento. Consulte la sección adecuada de la guía de usuario para revisar las precauciones necesarias.

■ Asegúrese siempre de que el separador y los filtros estén bien montados antes de utilizar su aspirador vertical.

■ Mantenga todos los orificios de la máquina libres de suciedad y pelusas que puedan afectar al flujo o la succión de aire.

■ Tome precauciones adicionales cuando utilice el aspirador vertical en las escaleras.



AVISO: Apague siempre el aspirador vertical y desconéctelo del cargador y la red eléctrica antes de realizar cualquier mantenimiento o solucionar problemas.



ATENCIÓN: No llene en exceso el depósito de suciedad para evitar que el flujo de aire se bloquee a través del aspirador vertical. Para obtener los mejores resultados de limpieza, vacíe el depósito de suciedad después de cada uso. Los filtros deben sacudirse sobre una papelera cada 4-6 usos para eliminar la suciedad y los restos; deben lavarse cada 3 meses. Los filtros deben sustituirse cada 6-9 meses en función del nivel de uso.

Seguridad

■ Este aspirador vertical puede ser utilizado por niños mayores de 8 años y por personas con capacidades físicas, sensoriales o mentales reducidas o con escasa experiencia y conocimiento

del aparato, siempre y cuando estén supervisados o hayan recibido las instrucciones apropiadas en cuanto al uso seguro del mismo y habiendo comprendido los riesgos que conlleva. Los niños no deben jugar con el aspirador vertical. La limpieza y el mantenimiento de usuario no deben ser realizados por niños sin la adecuada supervisión.

- Mantenga los dedos, el cabello y la ropa alejados de las partes móviles y los orificios del aspirador vertical mientras lo utiliza.
- No utilice el aspirador vertical si este ha sufrido una caída, está dañado, se ha sumergido en agua o ha estado a la intemperie.
- No manipule el enchufe del cargador ni utilice el aspirador vertical con las manos húmedas.
- No utilice el cargador del aspirador vertical si el cable o el enchufe del cargador están dañados.
- No desenchufe el cargador tirando de su cable.

Alimentación de corriente

- No cargue el aspirador vertical a la intemperie ni deje el cargador conectado a la red eléctrica cuando no esté en uso.
- No utilice nunca el aspirador vertical conectado a un cargador incorrecto, ya que pueden producirse daños o lesiones personales. La información sobre el cargador correcto viene detallada en la etiqueta de especificaciones.
- Utilice siempre el cargador suministrado con el aspirador vertical. Si carga el aspirador vertical mediante un cable de prolongación, utilice exclusivamente cables de prolongación de 13 amperios con aprobación CE, ya que los cables de prolongación no aprobados pueden sobrecalentarse. Tome las debidas precauciones para evitar tropezar con el cable.

Barra de cepillos



AVISO: La barra de cepillos en el cabezal accionado gira constantemente cuando está en marcha. No utilice nunca el cabezal accionado en un punto durante un periodo de tiempo prolongado porque la barra de cepillos podría dañar la superficie del suelo. Apague la barra de cepillos del cabezal accionado cuando limpie suelos duros. Para evitar sufrir cualquier daño, realice primero una prueba en una zona poco visible del suelo.



ATENCIÓN: Si la barra de cepillos en el cabezal accionado se ha obstruido, es posible que el sensor de protección del motor de la barra de cepillos se haya activado. La barra de cepillos se detendrá y la luz del cabezal accionado se encenderá en rojo. Para reiniciar, apague la barra de cepillos y el aspirador vertical, retire el cabezal accionado del tubo de alcance/la unidad portátil y elimine cualquier obstrucción. Espere un minuto antes de volver a colocar el cabezal accionado, encienda el aspirador vertical y pulse el botón de encendido/apagado de la barra de cepillos

Almacenamiento

- Guarde su aspirador vertical en una zona fresca y seca. Si se han limpiado los filtros según las instrucciones de la guía de usuario, asegúrese de que estén totalmente secos antes de guardarlos. El aspirador vertical no permanece en posición vertical sin un soporte constante. Entre uso y uso, acuéstelo plano en el suelo en un lugar adecuado para no tropezar con él ni pisarlo.

Batería y eliminación



ATENCIÓN: La batería utilizada en este dispositivo supone riesgo de incendio o quemadura química si se utiliza mal. No la desmonte o caliente por encima del límite de temperatura máxima del fabricante (60 °C/140 °F) ni la incinere. El uso de otra batería supone el riesgo de incendio o explosión.

- La batería debe retirarse del aparato antes de la eliminación y la batería usada debe desecharse de forma segura y de inmediato. Mantener fuera del alcance de los niños. Antes de la eliminación, proteger los bornes expuestos con cinta aislante fuerte para evitar cortocircuitos. La batería debe desecharse de forma segura en su centro de reciclaje para baterías local.
- No intente desmontar la batería, retire cualquier componente que sobresalga de los bornes de la batería y no la tire al fuego. La batería y el cargador no tiene piezas que requieran mantenimiento. Podría provocar un incendio o causar lesiones.
- El aparato debe desconectarse del suministro eléctrico antes del uso o al retirar la batería antes de la eliminación. En caso de fugas de la batería, evite el contacto con la piel y llame al +800 2672 6677.

GUARDE LAS INSTRUCCIONES PARA USARLAS EN EL FUTURO

¡Muchas gracias!

Estamos encantados de que se haya decidido a comprar un producto Dirt Devil. ¡Le deseamos muchas satisfacciones con el aparato y le agradecemos su compra!

Encontrará más información sobre su producto en este manual de funcionamiento o en nuestro sitio web www.dirtdevil.de. Para ponerse en contacto con el departamento de servicio de Dirt Devil, consulte los datos de contacto de la página 2.

Datos técnicos

Tipo de aparato	Aspirador vertical
Modelo	DD778, DD778 (-0/.../-9)
Acumulador	Ion-litio de 32 V
duración de servicio máx.	aprox. 45 min.
duración de carga máx.	aprox. 4 horas
Fuente de alimentación	Entrada: 100 – 240 V ~, 1 A Salida: 34 V, 600 mA
Capacidad del colector de polvo	0,3 l llenado máx., 0,6 l cap. máx.
Potencia	234 W
Peso	3,1 kg

Protección medioambiental y eliminación

Si desea desechar el aparato, retire el acumulador y deseche el acumulador y el aparato por separado.



No deseche el aparato, el acumulador ni el adaptador de corriente en la basura doméstica.



Deseche el aparato, el acumulador y el adaptador de corriente por separado en los puntos de recogida adecuados.

Ion-litio

Garantía

Si ha comprado el aparato como consumidor dentro de la Unión Europea, se aplicará la correspondiente legislación nacional según la Directiva de la UE 2011/83/UE como norma de garantía mínima. En países que no pertenezcan a la UE se aplican los requisitos de garantía mínimos vigentes en el país en cuestión. Quedan excluidos las pilas o los acumuladores que se hayan averiado o cuya vida útil se haya acordado como consecuencia del desgaste normal o de un manejo inadecuado.



Nos reservamos el derecho a realizar cambios técnicos y de diseño en el marco de la mejora permanente de nuestros productos.

© Royal Appliance International GmbH

CONOZCA SU MÁQUINA

Fig. 1

- A. Asa
- B. Depósito de suciedad
- C. Botón para soltar la suciedad
- D. Cubierta de filtro y filtro
- E. Palanca para soltar el depósito de suciedad
- F. Luz indicadora del nivel de carga
- G. Botón de intensificación
- H. Botón encendido/apagado de la barra de cepillos
- I. Botón de encendido/apagado
- J. Puerto de carga
- K. Tubo de alcance
- L. Cabezal accionado
- M. Barra de cepillos
- N. Cargador
- O. Montaje en pared, 2 tornillos y tacos
- P. Alojamiento de boquilla para rincones

Contenido Fig. 2

- A. Boquilla para rincones
- B. Cepillo para quitar el polvo

Desembalaje y montaje

1. Desembale el contenido y compruebe que esté completo. (Fig. 1 y 2).
2. Acople el tubo de alcance y el cabezal accionado a la unidad portátil. Emitirán un clic al encajar (Fig. 3).
3. Presione el alojamiento de la boquilla para rincones en la parte inferior del tubo de alcance y encaje el accesorio en la ranura (Fig. 4).

Acoplamiento del montaje de pared

1. Sin la unidad portátil acoplada al tubo de alcance y el cabezal accionado, presione el soporte mural en la parte superior y trasera del tubo de alcance. (Fig. 5/1).
2. Elija una ubicación para guardar el aspirador vertical, preferiblemente cerca de un suministro eléctrico, aunque no justo encima o debajo de una

toma de corriente. Coloque el cabezal accionado y el tubo del aspirador vertical en la pared y asegúrese de que el cabezal accionado esté plano en el suelo.

3. Sujetando el soporte mural de forma segura contra la pared, haga una pequeña marca con un lápiz para cada tornillo. (Fig. 5/2) Utilice los tornillos y los tacos para fijar el soporte en la pared.
4. El cable del cargador y el cepillo para quitar el polvo pueden colocarse en el soporte de pared (Fig. 6).
5. Monte completamente el aspirador vertical y presiónelo con firmeza en el soporte mural para fijarlo. Asegúrese siempre de que el aspirador vertical esté encajado.

Carga del aspirador vertical

NOTA La carga inicial es de 4 horas y requiere carga antes del primer uso. La falta de carga completa de la batería antes del primer uso puede causar que esta tenga un bajo rendimiento. La vida útil de la batería variará en función del uso del aspirador vertical.

1. Para cargar el aspirador vertical, acóplelo bien en el soporte mural. También puede cargarlo como una unidad portátil; para ello, desacople el aspirador vertical del tubo de alcance y los accesorios y colóquelo en una superficie plana y estable.
2. Inserte el cable del cargador en el puerto de carga (Fig. 1/J) situado en el asa de la unidad portátil y conecte el enchufe del cargador a la corriente.
3. Las luces indicadoras del nivel de carga se encenderán consecutivamente mientras se carga la batería hasta que estén las cuatro luces encendidas (Fig. 7/1 y 7/2) Una vez la carga esté completa, las luces se apagarán. Si se carga por primera vez, la carga inicial es de 4 horas.
4. Cuando el aspirador vertical esté funcionando, las luces indicadoras del nivel de carga se encenderán para indicar cuánta carga queda. Cuando quede

menos del 20 % de la carga, la luz inferior parpadeará en rojo para indicar que la batería se está agotando y requiere carga (Fig. 7/3).

Uso del aspirador vertical



AVISO: La barra de cepillos en el cabezal accionado gira constantemente cuando está en marcha. No utilice nunca el cabezal accionado en un punto durante un periodo de tiempo prolongado porque la barra de cepillos podría dañar la superficie del suelo. Apague la barra de cepillos del cabezal accionado cuando limpie suelos duros. Para evitar sufrir cualquier daño, realice primero una prueba en una zona poco visible del suelo.



ATENCIÓN: Si la barra de cepillos en el cabezal accionado se ha obstruido, es posible que el sensor de protección del motor de la barra de cepillos se haya activado. La barra de cepillos se detendrá y la luz del cabezal accionado se encenderá en rojo (Fig. 18). Para reiniciar, apague la barra de cepillos y el aspirador vertical, retire el cabezal accionado del tubo de alcance/la unidad portátil y elimine cualquier obstrucción. Espere un minuto antes de volver a colocar el cabezal accionado, encienda el aspirador vertical y pulse el botón de encendido/apagado de la barra de cepillos

1. Coloque su pie sobre el cabezal accionado (Fig. 8/1) y tire del asa hacia atrás para reclinarlo (Fig. 8/2).
2. Para encender el aspirador vertical, pulse el botón de ENCENDIDO/APAGADO situado en el asa. (Fig. 9/1) El botón de encendido/apagado y las luces indicadoras del nivel de carga en el asa se encenderán (Fig. 7/2).
3. Para aumentar la succión en zonas especialmente sucias que requieren una limpieza adicional puede activarse el modo de intensificación (Fig. 9/3).

4. Para encender la barra de cepillos, pulse el botón de ENCENDIDO/APAGADO de la barra de cepillos (Fig. 9/2). La luz del cabezal accionado y la luz de ENCENDIDO/APAGADO de la barra de cepillos se encenderán cuando la barra de cepillos esté funcionando y esta girará constantemente. Vuelva a pulsar el botón de ENCENDIDO/APAGADO de la barra de cepillos para apagarla.

ADVERTENCIA: El cabezal accionado debería estar ENCENDIDO para las moquetas y APAGADO para los suelos duros. El uso constante del modo de intensificación y la barra de cepillos reducirá el tiempo de funcionamiento de la batería.

5. Todos los accesorios, incluido el cabezal accionado, pueden acoplarse directamente a la unidad portátil (Fig. 10) o al tubo de alcance. La boquilla para rincones y el cepillo para quitar el polvo pueden utilizarse en puntos de difícil acceso y a diferentes alturas para limpiar por encima del nivel del suelo.

MANTENIMIENTO DEL ASPIRADOR VERTICAL



AVISO: Apague siempre el aspirador vertical y desconéctelo del cargador y la red eléctrica antes de realizar cualquier mantenimiento o solucionar problemas.

Retirada y recolocación del depósito de suciedad

1. Presione hacia abajo la palanca del depósito de suciedad (Fig. 11/1) para soltarlo, incline y levante para retirar el depósito de suciedad del aspirador vertical (Fig. 11/2).

ADVERTENCIA: Antes de volver a colocarlo, si la tapa del depósito con separador se ha retirado para la limpieza, asegúrese de que el separador se haya vuelto a colocar y la tapa encaje (Fig. 13/1).

2. Para volver a colocarlo, alinee la conexión del depósito de suciedad con el asa del aspirador vertical. (Fig. 12/1) Presione la palanca para soltar el depósito de suciedad (Fig. 12/2) y presione el depósito de suciedad en el aspirador vertical. Suelte la palanca del depósito de suciedad para encajarlo.
3. Cuando esté correctamente colocado, los tres puntos de conexión estarán alineados y asentados a nivel (Fig. 13).

Vaciado del depósito de suciedad

1. Presione hacia abajo la palanca del depósito de suciedad (Fig. 11/1) para soltarlo, incline y levante para retirar el depósito de suciedad del aspirador vertical (Fig. 11/2).
2. Sujete el depósito de suciedad encima de una papelera y pulse el botón para soltar la suciedad para que caigan la suciedad y los restos. (Fig. 14/1 y 2).
3. Para cerrar, presione la puerta para soltar la suciedad hasta que encaje. (Fig. 14/3).



ATENCIÓN: No llene en exceso el depósito de suciedad para evitar que el flujo de aire se bloquee a través del aspirador vertical. Para obtener los mejores resultados de limpieza, vacíe el depósito de suciedad después de cada uso. Los filtros deben sacudirse sobre una papelera cada 4-6 usos para eliminar la suciedad y los restos; deben lavarse cada 3 meses. Los filtros deben sustituirse cada 6-9 meses en función del nivel de uso.

Limpieza del filtro y el separador

1. Vacíe el depósito de suciedad (Fig. 14).
2. Levante la pestaña de la cubierta del depósito de suciedad (Fig. 15/1 & 2) y levante la cubierta del filtro y el separador del depósito de suciedad (Fig. 15/3).

3. Sacuda el separador sobre una papelera para retirar la suciedad y los restos y limpie el recubrimiento de metal con un paño seco (Fig. 16/1).
4. Tire de la lengüeta del filtro para retirarla del separador (Fig. 16/2). Sacuda el filtro contra la papelera para eliminar cualquier suciedad y restos (Fig. 16/3).
5. Lave el filtro bajo un chorro de agua (40 °C máx.) (Fig. 17). Dejar durante al menos 24 horas o hasta que esté completamente seco antes de volver a colocarlo.

Limpieza y recolocación de la barra de cepillos del cabezal accionado

1. Con una moneda, presione y gire el bloqueo de la barra de cepillos en dirección contraria a las agujas del reloj para soltarla (Fig. 19/1).
2. Extraiga la barra de cepillos de su alojamiento (Fig. 20/1).
3. Para retirar hilos o cabellos, deslice la hoja de unas tijeras por la ranura de la barra de cepillos y corte a lo largo de la ranura. Limpie cualquier suciedad/restos de las tapas y el interior del alojamiento del cabezal accionado (Fig. 21).
4. Vuelva a colocar la barra de cepillos (Fig. 20/2) y gírela en la dirección de las agujas del reloj hasta que encaje (Fig. 19/2).

Retirada y recolocación de la correa del cabezal accionado

1. Con un destornillador de estrella, desenrosque los tres tornillos y retire la cubierta (Fig. 22/1).
2. Si la correa se ha roto, retire la correa usada y limpie cualquier resto de los engranajes. Para volver a colocar la correa, primero engánchela por encima del engranaje pequeño. Deslice la correa por encima de la parte superior del engranaje grande y haga girar la correa y el engranaje en dirección contraria a las agujas del reloj. Durante el giro, la correa se deslizará sobre el engranaje (Fig. 22/2).

3. Vuelva a colocar la cubierta de la correa y apriete los tornillos para fijarla.

Comprobación de obstrucciones

1. Pulse el botón para soltar la unidad portátil y retire el tubo de alcance. Compruebe y limpie cualquier suciedad y restos del punto de conexión de la unidad portátil y la entrada de la papelera. (Fig. 23/1).

2. Compruebe si hay obstrucciones en el cabezal accionado y utilice un objeto no afilado para retirar la obstrucción. (Fig. 23/2).

3. Para comprobar las obstrucciones en el tubo de alcance, deje caer una pequeña bola de papel por el tubo. El papel atravesará el tubo si este está despejado. Utilice un palo de escoba o un objeto similar no afilado para retirar cualquier obstrucción (Fig. 23/3).

ACCESORIOS Y PIEZAS DE RECAMBIO

Visítenos en Internet:

www.dirtdevil.de

En nuestra página web encontrará una gran selección de piezas de recambio y accesorios, así como prácticos consejos sobre su producto Dirt-Devil.

SOLUCIÓN DE PROBLEMAS

Falta un accesorio

Compruebe el contenido (Fig. 2).

¿Por qué el aspirador vertical no tiene corriente?

■ Es posible que el aspirador vertical necesite recargarse. Consulte **Carga del aspirador vertical**.

■ Es posible que el termostato haya saltado. Vacíe el depósito de suciedad y compruebe si hay obstrucciones. Limpie los filtros y deje enfriar el aspirador vertical durante aproximadamente una hora. Si ha lavado los filtros, espere 24 horas hasta que estén totalmente secos antes de volverlos a colocar en el aspirador vertical.

¿Por qué el aspirador vertical no recoge suciedad?

■ El depósito de suciedad puede que no esté bien colocado. Consulte **Retirada y recolocación del depósito de suciedad**.

■ Es posible que el depósito de suciedad esté bloqueado. Compruebe el depósito de suciedad y la entrada de mano no estén obstruidos. Consulte **Vaciado del depósito de suciedad**.

■ Es posible que los filtros estén obstruidos. Consulte **Limpieza del filtro y el separador**.

■ Es posible que esté obstruido. Consulte **Comprobación de obstrucciones**.

■ La barra de cepillos en el cabezal accionado no se ha activado. Consulte **Uso del aspirador vertical**.

■ Es posible que el cabezal accionado esté bloqueado. Consulte **Limpieza y recolocación de la barra de cepillos del cabezal accionado**.

■ Es posible que el aspirador vertical, el cabezal accionado y el tubo de alcance no estén bien colocados. Consulte **Desembalaje y montaje**.

¿Por qué hay una luz roja en la unidad?

■ El nivel de carga de la batería está bajo (< 20 %). Consulte **Carga del aspirador vertical**.

¿Por qué hay una luz roja en el cabezal accionado?

■ La barra de cepillos del cabezal accionado se ha obstruido. Consulte **Limpieza y recolocación de la barra de cepillos del cabezal accionado**.

¿Por qué no gira el cabezal accionado?

■ La barra de cepillos en el cabezal accionado no se ha activado. Consulte **Uso del aspirador vertical**.

■ Es posible que la boquilla/barra de cepillos esté obstruida. Consulte **Limpieza y recolocación de la barra de cepillos del cabezal accionado**.

■ Es posible que el aspirador vertical, el cabezal accionado y el tubo de alcance no estén bien colocados. Consulte **Desembalaje y montaje**.

■ Es posible que la correa del accesorio esté rota. Consulte **Retirada y recolocación de la correa del cabezal accionado**.

Antes de ponerse en contacto con el departamento de servicio de Atención al Cliente de Dirt Devil o de enviar el aparato al departamento de servicio de Atención al Cliente de Dirt Devil, encontrará mucha información adicional en el área de servicio de nuestro sitio web que le ayudará a solucionar problemas.

www.dirtdevil.de/service

INFORMAZIONI SULLA SICUREZZA

Informazioni su questa guida utente

Leggere attentamente la presente guida utente prima di utilizzare l'apparecchio. Conservare questa guida utente per riferimenti futuri. Se l'apparecchio viene dato ad altre persone, consegnare anche questa guida utente. La mancata osservanza della presente guida utente può causare gravi lesioni o danni all'apparecchio. Non ci assumiamo alcuna responsabilità per danni causati dalla mancata osservanza di questa guida utente. Informazioni importanti non incluse in questo capitolo sono indicate come segue:



AVVERTIMENTO: Avverte di pericoli sanitari e possibili rischi di lesioni.



ATTENZIONE: Indica possibili pericoli di danni all'apparecchio o ad altri oggetti.

NOTA Evidenzia suggerimenti e informazioni.

Uso generale

Questo aspirapolvere è destinato all'uso domestico e NON all'impiego commerciale o industriale.

- Usare l'aspirapolvere esclusivamente in ambienti interni e su superfici asciutte e tenere ben illuminata l'area che si sta pulendo.
- Non aspirare oggetti duri o acuminati come vetro, chiodi, viti, monete, ecc..
- Non aspirare carboni caldi, mozziconi di sigaretta, fiammiferi od oggetti che bruciano o emettono fumo.
- Non utilizzare in ambienti bagnati o in cui possono essere presenti fluidi nocivi (cloro, candeggina e ammoniaca).
- Non tentare di rimuovere le ostruzioni con oggetti taglienti in quanto l'aspirapolvere potrebbe subire danni.
- Con questo aspirapolvere, utilizzare solo il caricabatterie, gli utensili e gli accessori consigliati da Dirt Devil e controllare sempre che la testa della spazzola e gli accessori siano privi di danni, sporcizia e detriti prima dell'uso.

- Spegnerne o scollegare sempre l'aspirapolvere dal caricabatterie prima di eseguire qualsiasi operazione di manutenzione. Per le precauzioni necessarie, consultare la sezione appropriata della guida utente.

- Prima di utilizzare l'aspirapolvere, assicurarsi sempre che il separatore e i filtri siano montati correttamente.

- Tenere tutte le aperture libere e pulite dalla sporcizia perché questa può ridurre il flusso dell'aria e l'aspirazione.

- Prestare particolare attenzione quando si utilizza l'aspirapolvere sulle scale.



AVVERTIMENTO: Prima di effettuare qualsiasi intervento di manutenzione o di risoluzione dei problemi, spegnere sempre l'aspirapolvere e scollegarlo dal caricabatterie e dalla rete elettrica.



ATTENZIONE: Evitare che il contenitore raccogli sporco si riempia eccessivamente per non ostruire il flusso d'aria nell'aspirapolvere. Per risultati di pulizia ottimali, svuotare il contenitore dello sporco dopo ogni utilizzo. I filtri devono essere svuotati in un contenitore ogni 4-6 utilizzi per rimuovere lo sporco e i detriti e lavati ogni 3 mesi. I filtri devono essere sostituiti ogni 6-9 mesi, a seconda del livello di utilizzo.

Sicurezza

- Questo aspirapolvere può essere utilizzato da bambini dagli 8 anni in su e da persone con deficit di natura fisica, motoria o mentale, e inoltre da utenti privi di esperienza e conoscenza dell'aspirapolvere, purché in presenza di supervisione, o dietro fornitura di istruzioni in merito all'uso in sicurezza del prodotto, e spiegazioni relativamente ai possibili rischi. I bambini non devono giocare con l'aspirapolvere.

La pulizia e la manutenzione non devono essere effettuati da bambini senza supervisione.

- Tenere dita, capelli e indumenti ampi lontani dalle parti in movimento e dalle aperture durante l'uso dell'aspirapolvere.
- Non usare l'aspirapolvere se è stato fatto cadere, se è danneggiato, è stato immerso nell'acqua o è stato lasciato all'aperto.
- Non maneggiare la spina del caricabatteria o usare l'aspirapolvere con le mani bagnate.
- Non utilizzare il caricabatterie dell'aspirapolvere se il cavo o la spina del caricabatterie sono danneggiati.
- Non scollegare il caricabatterie tirando il cavo di alimentazione.

Alimentazione

- Non caricare l'aspirapolvere all'aperto o lasciare il caricabatterie collegato alla rete elettrica quando non viene utilizzato.
- Non usare l'aspirapolvere con un caricabatterie diverso in quanto ciò potrebbe causare danni o lesioni all'utente. Le corrette informazioni sul caricabatterie sono riportate sull'etichetta dei valori nominali.
- Utilizzare sempre il caricabatterie in dotazione con l'aspirapolvere. Se si carica l'aspirapolvere tramite una prolunga, utilizzare solo prolunghe di 13 ampere omologate CE; le prolunghe non omologate potrebbero surriscaldarsi. Prestare attenzione durante l'installazione del cavo di prolunga perché questo può rappresentare un pericolo di inciampo.

Rullo spazzola



AVVERTIMENTO: Il rullo all'interno della testa della spazzola motorizzata ruota costantemente ad aspirapolvere acceso. Non sostare mai a lungo in un singolo punto con la testa della spazzola motorizzata in funzione, in quanto il rullo all'interno della testa della spazzola potrebbe danneggiare la superficie del pavimento. Spegnerlo della spazzola quando si puliscono pavimenti di legno duro. Per evitare danni, provare prima su un'area non visibile del pavimento.



ATTENZIONE: Se il rullo all'interno della testa della spazzola motorizzata si è bloccato, il sensore di protezione del motore del rullo potrebbe essere stato attivato. Il rullo della spazzola si arresta e la spia sulla testa si illumina in rosso. Per resettare, spegnere il rullo della spazzola e l'aspirapolvere, rimuovere la testa della spazzola motorizzata dall'asta di estensione/aspirapolvere e rimuovere eventuali ostruzioni. Attendere 1 minuto prima di rimontare la testa della spazzola, accendere l'aspirapolvere e premere il pulsante ON/OFF del rullo della spazzola.

Magazzinaggio

- Conservare l'aspirapolvere in un luogo fresco e asciutto. Se i filtri sono stati puliti come indicato nelle istruzioni per l'uso, assicurarsi che siano completamente asciutti prima di magazzinarli. Questo aspirapolvere non rimane in posizione verticale senza un supporto costante. Quando non viene utilizzato, posizionarlo orizzontalmente sul pavimento in un luogo idoneo, in modo che non rappresenti un pericolo di inciampo o possa essere calpestato.

Batteria e smaltimento



ATTENZIONE: Se non maneggiata correttamente, la batteria utilizzata in questo dispositivo può presentare un rischio di incendio o di ustioni chimiche. Non smontare o riscaldare oltre il limite massimo di temperatura indicato dal produttore (60°C) e non incenerire. L'uso di una batteria diversa può presentare un rischio di incendio o di esplosione.

■ La batteria deve essere rimossa dall'apparecchio prima dello smaltimento e la batteria usata deve essere smaltita in modo sicuro e tempestivo. Conservare lontano dalla portata dei bambini. Prima dello smaltimento, proteggere i terminali esposti con nastro isolante per evitare cortocircuiti. La batteria deve essere smaltita in modo sicuro presso il centro di riciclaggio locale.

■ Non tentare di smontare la batteria, rimuovere qualsiasi componente che sporge dai terminali della batteria e non smaltirla bruciandola. La batteria e il caricabatterie non hanno parti riparabili dall'utente. Potrebbero verificarsi incendi o lesioni.

■ L'apparecchio deve essere scollegato dalla rete elettrica prima dell'uso o quando si rimuove la batteria prima dello smaltimento. In caso di fuoriuscite dalla batteria, evitare qualsiasi contatto con la pelle e chiamare il numero +800 2672 6677.

CONSERVARE LE ISTRUZIONI PER UN USO SUCCESSIVO

Grazie!

Siamo lieti che tu abbia deciso di acquistare un prodotto Dirt Devil. Nel ringraziarti per la fiducia accordataci, ti auguriamo di trarre la massima soddisfazione dall'apparecchio!

Ulteriori informazioni sul prodotto sono disponibili in questo manuale d'uso e sul nostro sito web www.dirtdevil.de. Per contattare il servizio di assistenza di Dirt Devil, vedere i dettagli di contatto a pagina 2.

Dati tecnici

Tipo di apparecchio	Aspirapolvere cordless
Modello	DD778,DD778 (-0/.../-9)
Batteria	Li-ion 32 V
Autonomia max.	Circa 45 min.
Durata caricamento max.	Circa 4 ore
Caricabatterie	Ingresso: 100 – 240 V ~, 1A Uscita: 34 V, 600 mA
Capacità del contenitore raccogli sporco	0,3 l riempimento max., 0,6 l capacità max.
Potenza	234 W
Peso	3,1 kg

Protezione ambientale e smaltimento

Se si desidera smaltire l'apparecchio, rimuovere la batteria ricaricabile e smaltire la batteria e l'apparecchio separatamente.



Non smaltire l'apparecchio, la batteria ricaricabile o l'adattatore di rete con i rifiuti domestici.



Smaltire l'apparecchio, la batteria ricaricabile e l'adattatore di rete separatamente negli appositi punti di raccolta.

Li-ion

Garanzia

Se l'apparecchio è stato acquistato da un consumatore all'interno dell'Unione Europea, la rispettiva legislazione nazionale implementata secondo la Direttiva UE 2011/83/UE sarà applicata come standard di garanzia minima. Nei paesi non facenti parte dell'UE, valgono i requisiti di garanzia minimi vigenti nella relativa nazione. Fanno eccezione batterie e batterie ricaricabili che sviluppano un guasto o la cui durata si sia ridotta a causa di normale usura o di uso improprio.



Ci riserviamo il diritto di apportare modifiche alle specifiche tecniche e di progettazione nell'interesse di un miglioramento continuo del prodotto.

© Royal Appliance International GmbH

PARTI DELL'APPARECCHIO

Fig. 1

- A. Manico da trasporto
- B. Contenitore raccogli sporco
- C. Pulsante rilascio sporco
- D. Coperchio del filtro e filtro
- E. Fermo di sblocco del contenitore raccogli sporco
- F. Spia livello batteria
- G. Pulsante Boost
- H. Pulsante ON/OFF rullo spazzola
- I. Pulsante ON/OFF
- J. Porta di ricarica
- K. Asta di estensione
- L. Testa spazzola motorizzata
- M. Rullo spazzola
- N. Caricabatterie
- O. Accessorio montaggio a parete, 2 viti e tasselli
- P. Supporto per bocchetta fessure

Contenuto Fig. 2

- A. Bocchetta per fessure
- B. Spazzola antipolvere

Disimballaggio e assemblaggio

1. Disimballare il contenuto e verificare che sia completo. (Fig. 1 e 2).
2. Montare l'asta di estensione e la testa della spazzola motorizzata sull'aspirapolvere. Si sentirà un clic quando sono bloccati in posizione (Fig. 3).
3. Montare il supporto della bocchetta per le fessure sulla base dell'asta di estensione e inserire la bocchetta nel supporto (Fig. 4).

Fissaggio dell'accessorio di montaggio a parete

1. Senza la testa della spazzola e l'asta di estensione montate sull'aspirapolvere, montare la staffa da parete sulla parte superiore dell'asta di estensione, sul retro. (Fig. 5/1).
2. Scegliere una posizione idonea per il magazzino dell'aspirapolvere, preferibilmente vicino a una presa di corrente (anche se non direttamente sopra o sotto la presa di corrente). Posizionare la testa della spazzola e l'asta di estensione contro la parete, assicurandosi che la spazzola sia piatta sul pavimento.

3. Tenendo saldamente la staffa contro la parete, usare una matita per praticare due segni per le viti. (Fig. 5/2) Utilizzare le viti e i tasselli per fissare la staffa alla parete.

4. Il cavo del caricabatterie e della spazzola antipolvere possono essere montati sulla staffa da parete (Fig. 6).

5. Assemblare completamente l'aspirapolvere e premerlo nella staffa per fissarlo alla parete. Assicurarsi sempre che l'aspirapolvere sia saldamente bloccato in posizione.

Caricamento dell'aspirapolvere

1. Per caricare l'aspirapolvere, montarlo nella staffa da parete. È anche possibile caricarlo autonomamente, senza asta di estensione e accessori. Posizionarlo su una superficie piatta e stabile.

NOTA La carica iniziale è di 4 ore e l'aspirapolvere dovrà essere caricato prima del primo uso. La mancata ricarica completa della batteria prima del primo uso può comportare cattive prestazioni della batteria. La vita in servizio della batteria varierà a seconda dell'uso dell'aspirapolvere.

2. Inserire il cavo del caricabatterie nella porta di ricarica (Fig. 1/J) ubicata sul manico di trasporto dell'aspirapolvere e inserire la spina del caricabatterie in una presa elettrica.
3. Le spie del livello della batteria si illumineranno durante la ricarica della batteria (Fig. 7/1 e 7/2). Le spie si spegneranno a ricarica completata. Se si tratta della prima ricarica, il tempo di ricarica sarà di 4 ore.
4. Quando l'aspirapolvere è in uso, le spie del livello della batteria si illuminano per indicare l'autonomia rimasta. Quando la carica scende sotto il 20%, la spia inferiore lampeggerà in rosso a indicare che la batteria è quasi scarica e che deve essere ricaricata (Fig. 7/3).

Uso dell'aspirapolvere



AVVERTIMENTO: Il rullo all'interno della testa della spazzola motorizzata ruota costantemente ad aspirapolvere acceso. Non sostare mai a lungo in un singolo punto con la testa della spazzola motorizzata in funzione, in quanto il rullo all'interno della testa della spazzola potrebbe danneggiare la superficie del pavimento. Spegnerlo quando si puliscono pavimenti di legno duro. Per evitare danni, provare prima su un'area non visibile del pavimento.



ATTENZIONE: Se il rullo all'interno della testa della spazzola motorizzata si è bloccato, il sensore di protezione del motore del rullo potrebbe essere stato attivato. Il rullo della spazzola si arresterà e la spia sulla testa della spazzola si illuminerà in rosso (Fig. 18). Per resettare, spegnere il rullo della spazzola e l'aspirapolvere, rimuovere la testa della spazzola motorizzata dall'asta di estensione/aspirapolvere e rimuovere eventuali ostruzioni. Attendere 1 minuto prima di rimontare la testa della spazzola, accendere l'aspirapolvere e premere il pulsante ON/OFF del rullo della spazzola.

1. Posizionare un piede sulla testa della spazzola motorizzata (Fig. 8/1) e tirare il manico indietro per inclinare l'aspirapolvere (Fig. 8/2).
2. Per accendere l'aspirapolvere, premere il pulsante ON/OFF situato sul manico. (Fig. 9/1) Il pulsante On/Off e le spie del livello della batteria sul manico si illumineranno (Fig. 7/2).
3. Per aumentare l'aspirazione in aree particolarmente sporche che necessitano di una pulizia più approfondita, è possibile attivare la modalità boost (Fig. 9/3).

4. Per attivare il rullo della spazzola, premere il pulsante ON/OFF del rullo (Fig. 9/2). La spia sulla testa della spazzola e la spia ON/OFF del rullo si illumineranno quando il rullo è acceso e ruota costantemente. Premere nuovamente il pulsante ON/OFF del rullo della spazzola per spegnerlo.

INDICAZIONE: Il rullo della spazzola motorizzata deve essere accesa per i tappeti e spenta per i pavimenti in legno duro. L'uso costante della modalità boost e del rullo ridurrà l'autonomia della batteria.

5. Tutti gli accessori, incluso la testa motorizzata, possono essere montati direttamente sull'aspirapolvere manuale (Fig. 10) o sull'asta di estensione. La bocchetta per le fessure e la spazzola antipolvere possono essere utilizzati in punti difficili da raggiungere al di sopra del pavimento.

MANUTENZIONE DELL'ASPIRAPOLVERE



AVVERTIMENTO: Prima di effettuare qualsiasi intervento di manutenzione o di risoluzione dei problemi, spegnere sempre l'aspirapolvere e scollegarlo dal caricabatterie e dalla rete elettrica.

Rimozione e rimontaggio del contenitore raccogli sporco

1. Premere il fermo sul contenitore raccogli sporco (Fig. 11/1) per sbloccarlo, quindi inclinarlo e sollevarlo per rimuoverlo dall'aspirapolvere (Fig. 11/2).

INDICAZIONE: Prima di rimontare, se il coperchio dell'alloggiamento con il separatore è stato rimosso per la pulizia, assicurarsi che il separatore sia stato rimontato e il coperchio bloccato in posizione (Fig. 13/1).

2. Per rimontarlo, allineare il contenitore raccogli sporco con il manico dell'aspirapolvere. (Fig. 12/1) Premere il fermo del contenitore raccogli sporco (Fig. 12/2) e premere quindi il contenitore raccogli sporco all'interno dell'aspirapolvere.

Rilasciare il fermo del contenitore dello sporco per bloccarlo in posizione.

3. Se correttamente montato, i 3 punti di connessione saranno allineati e a filo (Fig. 13).

Svuotamento del contenitore raccogli sporco

1. Premere il fermo sul contenitore raccogli sporco (Fig. 11/1) per sbloccarlo, quindi inclinarlo e sollevarlo per rimuoverlo dall'aspirapolvere (Fig. 11/2).

2. Posizionare il contenitore raccogli sporco su un contenitore di raccolta e premere il pulsante di rilascio dello sporco per svuotare sporco e detriti nel contenitore. (Fig. 14/1 e 2).

3. Per chiudere, spingere lo sportello di rilascio dello sporco fino a quando non si blocca in posizione. (Fig. 14/3).



ATTENZIONE: Evitare che il contenitore raccogli sporco si riempia eccessivamente per non ostruire il flusso d'aria nell'aspirapolvere. Per risultati di pulizia ottimali, svuotare il contenitore dello sporco dopo ogni utilizzo. I filtri devono essere svuotati in un contenitore ogni 4-6 utilizzi per rimuovere lo sporco e i detriti e lavati ogni 3 mesi. I filtri devono essere sostituiti ogni 6-9 mesi, a seconda del livello di utilizzo.

Pulizia del filtro e del separatore

1. Svuotare il contenitore raccogli sporco (Fig. 14).

2. Sollevare la linguetta sul contenitore raccogli sporco (Fig. 15/1 e 2). Sollevare il coperchio del filtro e il separatore dal contenitore raccogli sporco (Fig. 15/3).

3. Posizionare il separatore su un contenitore di raccolta e battere un po' sul separatore per rimuovere sporco e detriti; pulire lo schermo di metallo con un panno asciutto (Fig. 16/1).

4. Tirare la linguetta sul filtro per rimuoverlo dal separatore (Fig. 16/2). Battere leggermente sul filtro posizionato su un contenitore di raccolta per rimuovere lo sporco e i detriti (Fig. 16/3).

5. Lavare il filtro sotto acqua corrente (40°C max) (Fig. 17). Prima di rimontare, lasciare asciugare per almeno 24 ore o fino a completa asciugatura.

Pulizia e sostituzione del rullo della spazzola motorizzata

1. Utilizzando una moneta, spingere e ruotare il fermo del rullo in senso antiorario per sbloccare il rullo (Fig. 19/1).

2. Estrarre il rullo dell'alloggiamento del rullo (Fig. 20/1).

3. Per rimuovere fili o capelli, far scorrere la lama di una forbice nella scanalatura del rullo e tagliare seguendo la scanalatura. Rimuovere eventuali detriti/sporco dai coperchi terminali e l'alloggiamento della testa motorizzata (Fig. 21).

4. Rimontare il rullo (Fig. 20/2) e ruotare il fermo del rullo in senso orario per bloccarlo (Fig. 19/2).

Pulizia e sostituzione della cinghia della testa della spazzola motorizzata

1. Utilizzando un cacciavite Philips, svitare e 3 viti e rimuovere il coperchio (Fig. 22/1).

2. Se la cinghia è rotta, smontare la vecchia cinghia e rimuovere i detriti dagli ingranaggi. Per sostituire la cinghia, innanzitutto montare la cinghia intorno all'ingranaggio più piccolo. Posizionare quindi la cinghia sull'ingranaggio più grande e ruotare la cinghia e l'ingranaggio in senso antiorario. Durante la rotazione, la cinghia "scivolerà" in posizione, scorrendo intorno all'ingranaggio (Fig. 22/2).

3. Rimontare il coperchio della cinghia e stringere le viti per fissarlo.

Controllo di eventuali ostruzioni

1. Premere il pulsante sull'aspirapolvere per rimuovere l'asta di estensione. Controllare e rimuovere sporco e detriti dal punto di attacco dell'aspirapolvere manuale e dall'ingresso del contenitore raccogli sporco.

(Fig. **23**/1).

2. Controllare la testa della spazzola motorizzata per eventuali ostruzioni e utilizzare un oggetto non appuntito per rimuovere l'ostruzione, se presente.

(Fig. **23**/2).

3. Per verificare la presenza di un'ostruzione nell'asta di estensione, far cadere una pallina di carta nell'asta. La pallina di carta raggiungerà l'estremità opposta se l'asta non è ostruita. Utilizzare il manico di una scopa o oggetto simile per rimuovere eventuali ostruzioni

(Fig. **23**/3).

ACCESSORI E RICAMBI

Visitateci in Internet all'indirizzo:

www.dirtdevil.de

Sul nostro sito Web troverete una vasta scelta di ricambi e accessori nonché consigli e accorgimenti pratici relativi al vostro prodotto Dirt-Devil.

RISOLUZIONE DEI PROBLEMI

Un accessorio non è presente

Controllare il contenuto (Fig. 2).

Perché l'aspirapolvere non si accende?

■ Potrebbe essere necessario ricaricare l'aspirapolvere. Andare a **Ricarica dell'aspirapolvere**.

■ Il termostato del motore potrebbe essere scattato. Svuotare il contenitore raccogli sporco e controllare la presenza di possibili ostruzioni. Pulire i filtri e lasciare raffreddare l'aspirapolvere per circa 1 ora. Se i filtri sono stati lavati, attendere 24 ore perché si asciugano completamente prima di rimontarli sull'aspirapolvere.

L'aspirapolvere non aspira correttamente.

■ Il contenitore raccogli sporco potrebbe non essere stato montato correttamente. Andare a **Rimozione e rimontaggio del contenitore raccogli sporco**.

■ Il contenitore raccogli sporco potrebbe essere ostruito. Controllare il contenitore raccogli sporco e l'ingresso dell'aspirapolvere per ostruzioni. Andare a **Svuotamento del contenitore raccogli sporco**

■ I filtri potrebbero essere ostruiti. Andare a **Pulizia del filtro e del separatore**.

■ Un'ostruzione potrebbe essere presente. Andare a **Controllo di eventuali ostruzioni**.

■ Il rullo nella testa della spazzola motorizzata non è stato attivato. Andare a **Uso dell'aspirapolvere**.

■ La testa della spazzola potrebbe essere bloccata. Andare a **Pulizia e sostituzione del rullo della spazzola motorizzata**.

■ L'aspirapolvere, la testa motorizzata e l'asta di estensione potrebbero essere montati incorrettamente. Andare a **Disimballaggio e assemblaggio**.

Perché una spia rossa è accesa sull'unità?

■ La carica della batteria sta per esaurirsi (<20%). Andare a **Ricarica dell'aspirapolvere**.

Perché una spia rossa è accesa sulla testa della spazzola motorizzata?

■ Il rullo nella spazzola della testa motorizzata è ostruito. Andare a **Pulizia e sostituzione del rullo della spazzola motorizzata**.

Perché la testa della spazzola motorizzata non ruota?

■ Il rullo nella testa della spazzola motorizzata non è stato attivato. Andare a **Uso dell'aspirapolvere**.

■ La bocchetta/rullo potrebbero essere ostruiti. Andare a **Pulizia e sostituzione del rullo della spazzola motorizzata**.

■ L'aspirapolvere, la testa motorizzata e l'asta di estensione potrebbero essere montati incorrettamente. Andare a **Disimballaggio e assemblaggio**.

■ La cinghia potrebbe essere rotta. Andare a **Pulizia e sostituzione della cinghia della testa della spazzola motorizzata**.

Prima di contattare il servizio clienti di Dirt Devil o di inviare l'apparecchio al servizio clienti di Dirt Devil, nell'area di supporto del nostro sito web troverete molte informazioni aggiuntive che vi aiuteranno a risolvere i problemi. www.dirtdevil.de/service

INFORMAÇÕES DE SEGURANÇA

Acerca deste manual do utilizador

Leia este manual do utilizador integralmente antes de utilizar o aparelho. Guarde este manual do utilizador para consulta. Se fornecer este aparelho a terceiros, este manual do utilizador deve acompanhá-lo. O não cumprimento das instruções apresentadas neste manual do utilizador pode provocar ferimentos graves ou danos no aparelho. Não nos responsabilizamos por quaisquer danos que resultem do não cumprimento das instruções apresentadas neste manual do utilizador. As informações importantes não incluídas neste capítulo são indicadas de seguida:



AVISO: Aviso de perigos para a saúde e identificação de possíveis riscos de ferimentos.



CUIDADO: Indicação de possíveis perigos para o aparelho ou para outros objetos.

NOTA Destaque de conselhos e informações.

Utilização geral

Este aspirador vertical destina-se exclusivamente a utilização doméstica e NÃO a utilização comercial ou industrial.

- Utilize o aspirador vertical apenas em superfícies interiores secas e mantenha a área a limpar bem iluminada.
- Não aspire objetos grandes ou cortantes como vidro, pregos, parafusos, moedas, etc.
- Não aspire carvão em brasa, beatas de cigarros, fósforos ou itens incandescentes ou a fumar.
- Não utilize em superfícies molhadas ou em que possam existir líquidos nocivos (cloro, lixívia e detergente desentupidor de canos com amoníaco).
- Não tente remover obstruções com objetos cortantes, uma vez que tal pode danificar o seu aspirador vertical.

- Utilize apenas os carregadores, ferramentas e acessórios Dirt Devil recomendados para este aspirador vertical e verifique sempre se existem danos, resíduos ou detritos nas escovas e nos acessórios antes de o utilizar.

- Desligue ou retire sempre o cabo do carregador do aspirador vertical antes de realizar qualquer trabalho de manutenção. Consulte a secção apropriada neste manual do utilizador para conhecer as precauções necessárias.

- Certifique-se de que o separador e os filtros estão devidamente encaixados antes de utilizar o seu aspirador vertical.

- Mantenha todas as aberturas desobstruídas e sem detritos, para não afetar o fluxo de ar/sucção.

- Tenha especial cuidado ao utilizar o aspirador vertical em escadas.



AVISO: Desligue sempre o aspirador vertical e retire o cabo do carregador e a ficha da corrente elétrica antes de realizar trabalhos de manutenção ou de resolução de problemas.



CUIDADO: Não encha demasiado o depósito de pó para evitar bloquear o fluxo de ar ao longo do aspirador vertical. Para uma limpeza mais eficaz, esvazie o depósito de pó após cada utilização. Os filtros devem ser esvaziados para um balde do lixo a cada 4 a 6 utilizações, de forma a remover poeiras e detritos, e lavados a cada 3 meses. Os filtros devem ser substituídos cada 6 a 9 meses, dependendo do nível de utilização.

Segurança

- Este aspirador vertical apenas pode ser utilizado por crianças com idade igual ou superior a 8 anos e por pessoas com capacidades físicas, sensoriais ou mentais reduzidas, ou com falta de experiência e conhecimentos, se tal ocorrer sob supervisão

ou mediante instruções relativas à utilização do aspirador vertical de forma segura e desde que sejam compreendidos os perigos envolvidos. As crianças não devem brincar com o aspirador vertical. As tarefas de limpeza e manutenção realizadas pelo utilizador não devem ser efetuadas por crianças sem supervisão.

- Mantenha os dedos, o cabelo e o vestuário largo afastado das peças em movimento e das aberturas enquanto utiliza o aspirador vertical.

- Não utilize o aspirador vertical se este tiver caído, estiver danificado, tiver sido mergulhado em água ou deixado no exterior.

- Não manuseie a ficha do carregador ou o aspirador vertical com as mãos molhadas.

- Não utilize o carregador do aspirador vertical se o cabo ou a ficha do carregador estiverem danificados.

- Não desligue a ficha do carregador puxando pelo cabo.

Fonte de alimentação

- Não recarregue o aspirador vertical no exterior, nem deixe o carregador ligado à corrente elétrica quando não o estiver a utilizar.

- A utilização do aspirador vertical com o carregador incorreto pode resultar em danos ou ferimentos no utilizador. A informação do carregador correto encontra-se identificada na etiqueta energética.

- Utilize sempre o carregador fornecido com o aspirador vertical. Se recarregar o aspirador vertical através de uma extensão elétrica, utilize apenas extensões elétricas de 13 A com certificado CE, uma vez que as extensões elétricas sem certificado CE podem sobreaquecer. O cabo da extensão deve ser posicionado cuidadosamente, de forma a reduzir o perigo de se tropeçar nele.

Rolo da escova



AVISO: O rolo da escova na cabeça elétrica está em constante rotação quando está ligado. Nunca utilize a cabeça elétrica num mesmo local durante muito tempo, sob pena de o rolo da escova danificar a superfície do pavimento. Desligue sempre o rolo da escova da cabeça elétrica quando limpar pavimentos rígidos. Para evitar danos, teste primeiro numa área de pavimento pouco visível.



CUIDADO: Se o rolo da escova na cabeça elétrica estiver obstruído, o sensor de proteção do motor do rolo da escova pode ter sido ativado. O rolo da escova parará e a luz da cabeça elétrica fica vermelha. Para desligar o rolo da escova e o aspirador vertical, retire a cabeça elétrica do tubo de aspiração/pega e elimine qualquer obstrução. Aguarde 1 minuto antes de voltar a encaixar a cabeça elétrica, ligue o aspirador vertical e prima o botão ON/OFF (Ligar/Desligar) do rolo da escova.

Armazenamento

- Guarde o aspirador vertical num local seco e fresco. Se os filtros tiverem sido limpos de acordo com as instruções do manual do utilizador, certifique-se de que se encontram bem secos antes de os guardar. Este aspirador vertical não se mantém na vertical sem um suporte constante. Entre utilizações, deixe-o na horizontal no pavimento num local seguro, de modo a que não seja pisado nem represente um perigo de se tropeçar nele.

Bateria e eliminação



CUIDADO: A bateria utilizada neste aparelho pode representar risco de incêndio ou de queimaduras químicas, caso seja utilizada incorretamente. Não desmonte, aqueça acima do limite máximo de temperatura indicado pelo fabricante (60 °C/140 °F), nem queime. A utilização de outra bateria pode representar risco de incêndio ou explosão.

■ A bateria deve ser retirada do aparelho para eliminação e a bateria usada deve ser eliminada imediatamente e em segurança. Mantenha o aparelho fora do alcance das crianças. Antes da eliminação do aparelho, proteja os terminais expostos com fita de isolamento resistente para evitar curto-circuitos. A bateria deve ser eliminada em segurança num centro de reciclagem de baterias local autorizado.

■ Não tente desmontar a bateria, retirar qualquer componente saliente dos terminais da bateria e não a elimine com fogo. A bateria e o carregador não possuem peças passíveis de reparação pelo utilizador. Pode provocar um incêndio ou ferimentos.

■ O aparelho deve ser desligado da corrente elétrica antes da utilização ou antes de se retirar a bateria para eliminação. Em caso de fugas da bateria, evite o contato com a pele e ligue para o número +800 2672 6677.

GUARDE AS INSTRUÇÕES PARA CONSULTA FUTURA

Obrigado!

Agradecemos a sua escolha de um produto Dirt Devil. Esperamos que desfrute do nosso aparelho e agradecemos a sua aquisição.

Encontrará informações adicionais sobre o produto nestas instruções de utilização e no nosso website, www.dirtdevil.de. Para contactar o departamento de assistência da Dirt Devil, consulte os detalhes de contacto na página 2.

Especificações técnicas

Tipo de aparelho	Aspirador vertical sem fios
Modelo	DD778, DD778 (-0/.../-9)
Bateria recarregável	Iões de lítio de 32 V
duração máxima de utilização	aproximadamente 45 minutos
duração máxima de carregamento	aproximadamente 4 horas
Adaptador de corrente elétrica	Entrada: 100 – 240 V ~, 1 A Saída: 34 V, 600 mA
Capacidade do depósito de pó	Enchimento máximo: 0,3 L, Capacidade máxima: 0,6 L
Alimentação	234 W
Peso	3,1 kg

Proteção ambiental e eliminação

Caso pretenda eliminar o aparelho, retire a bateria recarregável e elimine a bateria recarregável e o aparelho separadamente.



Não elimine o aparelho, a bateria recarregável ou o adaptador de corrente elétrica juntamente com o lixo doméstico.



Elimine o aparelho, a bateria recarregável e o adaptador de corrente elétrica separadamente e nos pontos de recolha apropriados.

Iões
de lítio

Garantia

Caso tenha adquirido o aparelho como consumidor na União Europeia, aplica-se como norma de garantia mínima a respetiva legislação nacional implementada em conformidade com a Diretiva da UE 2011/83/UE. Em países fora da UE, aplicam-se os requisitos de garantia mínimos do respetivo país. Isto não se aplica a pilhas ou baterias recarregáveis que se tenham avariado ou que tenham uma vida útil reduzida devido ao desgaste normal ou a um manuseamento indevido.



Reservamo-nos o direito de alterar as especificações técnicas e o design com o intuito de melhorar continuamente os nossos produtos.

© Royal Appliance International GmbH

APRESENTAÇÃO DO SEU APARELHO

Fig. 1

- A. Pega de transporte
- B. Depósito de pó
- C. Botão de abertura do depósito de pó
- D. Filtro e cobertura do filtro
- E. Fecho de abertura do depósito de pó
- F. Luz de indicação do nível de carga de bateria
- G. Botão de aumento de potência
- H. Botão ON/OFF (Ligar/Desligar) do rolo da escova
- I. Botão ON/OFF (Ligar/Desligar)
- J. Porta de carregamento
- K. Tubo de aspiração
- L. Cabeça elétrica
- M. Rolo da escova
- N. Carregador
- O. Suporte de parede, 2 parafusos e buchas
- P. Suporte para bico de aspiração

Componentes Fig. 2

- A. Bico de aspiração
- B. Escova de limpeza

Desembalagem e montagem

1. Retire os componentes da embalagem e verifique se estão completos. (Fig. 1 e 2).
2. Encaixe o tubo de aspiração e a cabeça elétrica à pega. Ouvirá um clique quando forem encaixados corretamente (Fig. 3).
3. Coloque o suporte para o bico de aspiração na parte inferior do tubo de aspiração e encaixe o bico de aspiração no devido lugar (Fig. 4).

Fixar o suporte de parede

1. Sem a pega encaixada no tubo de aspiração e na cabeça elétrica, coloque o suporte de parede na parte superior e atrás do tubo de aspiração. (Fig. 5/1).
2. Escolha um local para guardar o aspirador vertical, preferencialmente próximo de uma tomada elétrica, mas não diretamente por cima ou por baixo de uma tomada elétrica. Encoste o aspirador vertical à parede,

garantindo que a cabeça elétrica fica plana e apoiada no chão.

3. Segurando bem o suporte de parede contra a parede, utilize um lápis para assinalar o lugar de cada parafuso. (Fig. 5/2) Utilize os parafusos e as buchas para fixar o suporte na parede.
4. O cabo do carregador e a escova de limpeza podem ser encaixados no suporte de parede (Fig. 6).
5. Com o aspirador vertical completamente montado, encaixe-o firmemente no suporte de parede, para o prender. Certifique-se sempre de que o aspirador vertical está encaixado e seguro no devido lugar.

Carregamento do aspirador vertical

NOTA O primeiro carregamento da bateria é de 4 horas e deve ser realizado antes da primeira utilização. O não carregamento completo da bateria antes da primeira utilização pode provocar um desempenho fraco da bateria. A vida útil da bateria variará de acordo com a utilização do aspirador vertical.

1. Para carregar o aspirador vertical, encaixe-o bem no suporte de parede. Pode também carregá-lo em modo portátil, desencaixando o aspirador vertical do tubo de aspiração e dos acessórios e colocando-o numa superfície plana e estável.
2. Introduza o cabo de carregamento na porta de carregamento (Fig. 1/J) localizada na pega de transporte e ligue a ficha do carregador a uma tomada elétrica.
3. As luzes de indicação do nível de carga da bateria acendem-se gradualmente, à medida que a bateria carrega, até estarem as quatro acesas (Fig. 7/1 e 7/2). Quando a carga estiver completa, todas as luzes se apagam. Se estiver a realizar o primeiro carregamento da bateria, a duração da carga inicial é de 4 horas.
4. Quando o aspirador vertical está em utilização, as luzes de indicação do nível de carga da bateria

acendem-se indicando a carga restante. Quando a carga é inferior a 20%, a luz inferior acende-se intermitentemente a vermelho, indicando que a bateria está a esgotar-se e que é necessário recarregar (Fig. 7/3).



AVISO: O rolo da escova na cabeça elétrica está em constante rotação quando está ligado. Nunca utilize a cabeça elétrica num mesmo local durante muito tempo, sob pena de o rolo da escova danificar a superfície do pavimento. Desligue sempre o rolo da escova da cabeça elétrica quando limpar pavimentos rígidos. Para evitar danos, teste primeiro numa área de pavimento pouco visível.



CUIDADO: Se o rolo da escova na cabeça elétrica estiver obstruído, o sensor de proteção do motor do rolo da escova pode ter sido ativado. O rolo da escova para e acende-se uma luz vermelha na cabeça elétrica (Fig. 18). Para desligar o rolo da escova e o aspirador vertical, retire a cabeça elétrica do tubo de aspiração/pega e elimine qualquer obstrução. Aguarde 1 minuto antes de voltar a encaixar a cabeça elétrica, ligue o aspirador vertical e prima o botão ON/OFF (Ligar/Desligar) do rolo da escova.

Utilização do aspirador vertical

1. Coloque o seu pé na cabeça elétrica (Fig. 8/1) e puxe a pega para trás para reclinar (Fig. 8/2).
2. Para ligar o aspirador vertical, prima o botão ON/OFF (Ligar/Desligar) localizado na pega. (Fig. 9/1) As luzes do botão ON/OFF (Ligar/Desligar) e de indicação do nível de carga da bateria acendem-se (Fig. 7/2).
3. Para aumentar a sucção em zonas particularmente sujas que requeiram uma limpeza adicional, pode ser ativado o modo de aumento de potência (Fig. 9/3).
4. Para ligar o rolo da escova, prima o botão ON/OFF (Ligar/Desligar) do rolo da escova (Fig. 9/2). A luz

na cabeça elétrica e a luz ON/OFF (Ligar/Desligar) do rolo da escova acendem-se quando o rolo da escova está ligado e gira continuamente. Prima novamente o botão ON/OFF (Ligar/Desligar) para desligar o rolo da escova.

NOTA: O rolo da escova da cabeça elétrica deve estar na posição ON (Ligado) para alcatifas e na posição OFF (Desligado) para pavimentos rígidos. A utilização continuada do modo de aumento de potência e do rolo da escova reduz a autonomia de utilização.

5. Todos os acessórios, incluindo a cabeça elétrica, podem ser encaixados diretamente na pega de transporte (Fig. 10) ou no tubo de aspiração. O bico de aspiração e a escova de limpeza podem ser utilizados em locais de difícil acesso e a diferentes alturas, para limpezas acima do solo.

MANUTENÇÃO DO ASPIRADOR VERTICAL



AVISO: Desligue sempre o aspirador vertical e retire o cabo do carregador e a ficha da corrente elétrica antes de realizar trabalhos de manutenção ou de resolução de problemas.

Remoção e colocação do depósito de pó

1. Prima o fecho do depósito de pó (Fig. 11/1) para o soltar e incline e puxe para retirar o depósito de pó do aspirador vertical (Fig. 11/2).

NOTA: Antes de voltar a encaixar, se tiver retirado a tampa do depósito com o separador para limpar, certifique-se de que o separador foi novamente colocado e de que a tampa foi encaixada no devido lugar (Fig. 13/1).

2. Para voltar a colocar o depósito de pó, alinhe o respetivo encaixe com a pega do aspirador vertical.

(Fig. 12/1) Prima o fecho de abertura do depósito de pó (Fig. 12/2) e encaixe o depósito de pó no aspirador vertical. Liberte o fecho do depósito de pó para bloquear o encaixe do depósito no devido lugar.

3. Quando estiver encaixado corretamente, os 3 pontos de encaixe estarão alinhados e nivelados (Fig. 13).

Esvaziamento do depósito de pó

1. Prima o fecho do depósito de pó (Fig. 11/1) para o libertar e incline e puxe para retirar o depósito de pó do aspirador vertical (Fig. 11/2).

2. Coloque o depósito de pó sobre um balde do lixo e prima o botão de abertura do depósito para permitir a saída das poeiras e detritos. (Fig. 14/1 e 2).

3. Para fechar, empurre a porta de libertação de sujidade até encaixar no devido lugar (Fig. 14/3).



CUIDADO: Não encha demasiado o depósito de pó para evitar bloquear o fluxo de ar ao longo do aspirador vertical. Para uma limpeza mais eficaz, esvazie o depósito de pó após cada utilização. Os filtros devem ser esvaziados para um balde do lixo a cada 4 a 6 utilizações, de forma a remover poeiras e detritos, e lavados a cada 3 meses. Os filtros devem ser substituídos cada 6 a 9 meses, dependendo do nível de utilização.

Limpeza do filtro e do separador

1. Esvazie o depósito de pó (Fig. 14).

2. Levante a patilha na cobertura do depósito de pó (Fig. 15/1 e 2). Retire a cobertura do filtro e o separador do depósito de pó (Fig. 15/3).

3. Bata levemente no separador sobre um balde do lixo para remover poeiras e detritos e limpe o retentor metálico com um pano seco (Fig. 16/1).

4. Puxe a patilha no filtro para o retirar do separador (Fig. 16/2). Bata levemente no filtro sobre um balde do lixo para eliminar quaisquer poeiras e detritos (Fig. 16/3).

5. Lave o filtro com água corrente (máximo de 40 °C) (Fig. 17). Antes de reinstalar, deixe secar durante pelo menos 24 horas ou até estar completamente seco.

Remoção e substituição do rolo da escova da cabeça elétrica

1. Utilizando uma moeda, prima e rode o bloqueio do rolo da escova no sentido contrário ao dos ponteiros do relógio para libertar o rolo da escova (Fig. 19/1).

2. Retire o rolo da escova do respetivo alojamento (Fig. 20/1).

3. Para retirar quaisquer fios ou cabelos, faça a lâmina de uma tesoura deslizar pela ranhura do rolo da escova. Limpe todas as poeiras/detritos presentes nas tampas de extremidade e no alojamento da cabeça elétrica (Fig. 21).

4. Volte a encaixar o rolo da escova (Fig. 20/2) e rode o bloqueio do rolo da escova no sentido dos ponteiros do relógio para o fixar (Fig. 19/2).

Remoção e substituição da correia da cabeça elétrica

1. Utilizando uma chave de parafusos estrela, desaperte os 3 parafusos e retire a cobertura (Fig. 22/1).

2. Se a correia estiver partida, retire-a e limpe quaisquer detritos que existam nas engrenagens. Para substituir a correia, comece por a encaixar na engrenagem mais pequena. Faça a correia deslizar sobre a parte superior da engrenagem grande e rode a correia e engrenagem no sentido contrário ao dos ponteiros do relógio. Durante a rotação, a correia desliza para a engrenagem (Fig. 22/2).

3. Volte a colocar a cobertura da correia e aperte os parafusos para a fixar.

Verificação da existência de obstruções

1. Prima o botão de libertação da pega para remover o tubo de aspiração. Verifique e limpe quaisquer poeiras e detritos existentes entre o ponto de encaixe da pega e a entrada do recipiente. (Fig. 23/1).
2. Verifique a existência de quaisquer obstruções na cabeça elétrica e utilize um objeto resistente para remover a obstrução. (Fig. 23/2).
3. Para testar a existência de uma obstrução no tubo de aspiração, coloque uma pequena bola de papel no tubo. Se o tubo de aspiração estiver desimpedido, a bola de papel cairá. Utilize um cabo de vassoura ou um objeto resistente semelhante para eliminar qualquer obstrução (Fig. 23/3).

ACESSÓRIOS E PEÇAS SOBRESSELENTES

Visite-nos na Internet em:

www.dirtdevil.de

No nosso site, irá encontrar uma grande variedade de peças sobresselentes e acessórios, bem como dicas práticas e truques sobre o produto Dirt-Devil.

RESOLUÇÃO DE PROBLEMAS

Falta um acessório

Verifique os componentes (Fig. 2).

Por que motivo o aspirador vertical não se liga?

■ O aspirador vertical pode necessitar de ser recarregado. Consulte **Carregamento do aspirador vertical**.

■ O termóstato do motor pode ter disparado. Esvazie o depósito de pó e verifique se existem obstruções. Limpe os filtros e permita que o aspirador vertical arrefeça durante aproximadamente 1 hora. Caso tenha lavado os filtros, aguarde 24 horas para que sequem completamente antes de os voltar a colocar no aspirador vertical.

Por que motivo o aspirador vertical não se reinicia?

■ O depósito de pó pode estar mal encaixado. Consulte **Remoção e colocação do depósito de pó**.

■ O depósito de pó pode estar obstruído. Verifique a existência de obstruções no depósito de pó e na entrada da pega. Consulte **Esvaziamento do depósito de pó**.

■ Os filtros podem estar obstruídos. Consulte **Limpeza do filtro e do separador**.

■ Pode existir uma obstrução. Consulte **Verificação da existência de obstruções**.

■ O rolo da escova na cabeça elétrica não foi ativado. Consulte **Utilização do aspirador vertical**.

■ A cabeça elétrica pode estar obstruída. Consulte **Limpeza e substituição do rolo da escova da cabeça elétrica**.

■ O aspirador vertical, a cabeça elétrica e o tubo de aspiração podem não estar encaixados corretamente. Consulte **Desembalagem e montagem**.

Por que motivo se acende uma luz vermelha na unidade?

■ A carga da bateria está a esgotar-se (<20%). Consulte **Carregamento do aspirador vertical**.

Por que motivo se acende uma luz vermelha na cabeça elétrica?

■ O rolo da escova da cabeça elétrica está obstruído. Consulte **Limpeza e substituição do rolo da escova da cabeça elétrica**.

Por que motivo a cabeça elétrica não gira?

■ O rolo da escova na cabeça elétrica não foi ativado. Consulte **Utilização do aspirador vertical**.

■ O bico/rolo da escova pode estar obstruído. Consulte **Limpeza e substituição do rolo da escova da cabeça elétrica**.

■ O aspirador vertical, a cabeça elétrica e o tubo de aspiração podem não estar encaixados corretamente. Consulte **Desembalagem e montagem**.

■ A correia do bico pode estar partida. Consulte **Remoção e substituição da correia da cabeça elétrica**.

Antes de contactar o nosso departamento de apoio ao cliente Dirt Devil ou enviar o aparelho para o departamento de apoio ao cliente Dirt Devil, consulte a área de apoio do nosso website, onde encontrará muitas informações adicionais que poderão ajudar a resolver o seu problema.

www.dirtdevil.de/service

VEILIGHEIDSINFORMATIE

Over deze gebruikershandleiding

Deze gebruikershandleiding volledig doorlezen voordat u het apparaat gaat gebruiken. Deze gebruikershandleiding voor toekomstig gebruik bewaren. Als u het apparaat aan iemand anders geeft, dient u ook deze gebruikershandleiding te overhandigen. Het niet in acht nemen van deze gebruikershandleiding kan ernstig letsel of schade aan het apparaat tot gevolg hebben. Wij kunnen niet aansprakelijk worden gesteld voor schade ontstaan door het niet in acht nemen van deze gebruikershandleiding. Belangrijke informatie die niet in dit hoofdstuk is opgenomen, wordt als volgt aangeduid:



WAARSCHUWING: Waarschuwt voor gevaren voor uw gezondheid en wijst op mogelijk verwondingsrisico.



ATTENTIE: Wijst op mogelijke gevaren voor het apparaat of andere voorwerpen.

AANWIJZING Benadrukt tips en informatie.

Algemeen gebruik

Deze steelstofzuiger is uitsluitend bedoeld voor huishoudelijk gebruik en NIET voor commercieel of industrieel gebruik.

- De steelstofzuiger alleen binnenshuis op droge oppervlakken gebruiken en zorgen voor goede verlichting in de ruimte die u schoonmaakt.
- Geen harde of scherpe voorwerpen opzuigen, zoals glas, spijkers, schroeven, munten, enz.
- Geen hete kolen, sigarettenpeuken, lucifers of brandende of rokende voorwerpen opzuigen.
- De stofzuiger niet in natte ruimtes gebruiken of op plaatsen waar zich schadelijke vloeistoffen kunnen bevinden (chloor, bleekmiddel en afvoerreiniger met ammoniak).

- Nooit proberen om verstoppingen met een scherp voorwerp te verwijderen; dit kan de steelstofzuiger beschadigen.
- Alleen door Dirt Devil aanbevolen opladers, hulpstukken en accessoires met deze steelstofzuiger gebruiken en vóór gebruik altijd controleren dat het vloermondstuk en accessoires vrij zijn van beschadigingen, vuil en verontreiniging.
- De steelstofzuiger altijd van de oplader loskoppelen alvorens de stofzuiger te onderhouden. Zie het relevante hoofdstuk in de gebruikershandleiding voor de benodigde voorzorgsmaatregelen.
- Altijd controleren dat de afscheider en filters goed zijn aangebracht alvorens de steelstofzuiger te gebruiken.
- Alle openingen schoonhouden, want opgehoopt vuil kan van invloed zijn op de luchtstroom/zuigkracht.
- Altijd extra voorzichtig te werk gaan wanneer u de steelstofzuiger op een trap gebruikt.



WAARSCHUWING: De steelstofzuiger altijd uitschakelen en de stekker uit de oplader en het stopcontact halen alvorens onderhoud uit te voeren of problemen te verhelpen.



ATTENTIE: Zorg dat het stofreservoir nooit te vol wordt; dit om te voorkomen dat de luchtstroom door de steelstofzuiger wordt geblokkeerd. Voor de beste resultaten leegt u het stofreservoir na elk gebruik. Filters moeten nadat u 4 tot 6 keer hebt gestofzuigd tegen de binnenrand van een afvallemmer worden getikt om vuil te verwijderen, en moeten om de 3 maanden worden gewassen. Filters moeten om de 6 tot 9 maanden worden vervangen, afhankelijk van hoe intensief de stofzuiger wordt gebruikt.

Veiligheid

■ De steelstofzuiger kan worden gebruikt door kinderen van 8 jaar en ouder, door personen met verminderde lichamelijke, zintuiglijke of verstandelijke vermogens of door personen met gebrek aan ervaring en kennis op voorwaarde dat er toezicht op hen wordt gehouden of dat aan hen is uitgelegd hoe ze het apparaat veilig kunnen gebruiken en zij de risico's begrijpen. Kinderen nooit met de steelstofzuiger laten spelen. Kinderen mogen het apparaat nooit zonder toezicht schoonmaken of onderhouden.

■ Vingers, haar en loszittende kleding tijdens gebruik van de steelstofzuiger uit de buurt van bewegende onderdelen en openingen houden.

■ De steelstofzuiger niet gebruiken als die is gevallen, beschadigd is, in water is ondergedompeld of buiten heeft gestaan.

■ De stekker van de oplader nooit met natte handen aanraken en de steelstofzuiger nooit met natte handen gebruiken.

■ De oplader van de steelstofzuiger niet gebruiken als de kabel of de stekker van de lader is beschadigd.

■ De stekker van de oplader nooit uit het stopcontact halen door aan de laadkabel te trekken.

Voeding

■ De steelstofzuiger nooit buiten opladen en de stekker van de oplader na het laden altijd uit het stopcontact halen.

■ De steelstofzuiger nooit met een ongeschikte oplader gebruiken. Dit kan leiden tot schade of verwonding van de gebruiker. Gegevens over de juiste oplader staan vermeld op het etiket met elektrische specificaties.

■ Altijd de met de steelstofzuiger meegeleverde oplader gebruiken. Als de steelstofzuiger met een verlengsnoer moet worden opgeladen, altijd verlengsnoeren van 13 A met het CE-keurmerk gebruiken. Niet-goedgekeurde verlengsnoeren kunnen oververhit raken. Het verlengsnoer nooit zo neerleggen, dat het een struikelgevaar kan vormen.

Borstelrol



WAARSCHUWING: De borstelrol in het aangedreven mondstuk draait constant wanneer deze is ingeschakeld. Het aangedreven mondstuk nooit langere tijd op één plek houden, aangezien de borstelrol de vloer dan kan beschadigen. Altijd de borstelrol in het aangedreven mondstuk uitschakelen wanneer u harde vloeren schoonmaakt. Om eventuele beschadiging te voorkomen eerst een onopvallend gedeelte van de vloer testen.



ATTENTIE: Als de borstelrol in het aangedreven mondstuk verstopt raakt, wordt de sensor die de motor beschermt misschien geactiveerd. De borstelrol stopt en het lampje op het aangedreven mondstuk licht rood op. Om de sensor opnieuw in te stellen, schakelt u de borstelrol en de steelstofzuiger uit, verwijdert u het aangedreven mondstuk van de steel/handheld en verwijdert u de verstopping. Wacht 1 minuut alvorens het aangedreven mondstuk weer aan te brengen, zet de steelstofzuiger weer aan en druk op de AAN/UIT-schakelaar van de borstelrol.

Opslag

■ De steelstofzuiger op een koele, droge plaats bewaren. Als filters volgens de gebruiksaanwijzing zijn schoongemaakt, altijd controleren dat deze helemaal droog zijn alvorens het apparaat op te bergen. Deze steelstofzuiger blijft zonder constante ondersteuning niet rechtop staan. De steelstofzuiger na gebruik op een geschikte plek plat op de vloer neerleggen, zodat hij geen struikelgevaar kan vormen en er niet op getrapt kan worden.

Accu en verwijdering



ATTENTIE: De in dit apparaat gebruikte accu kan leiden tot brandgevaar of chemische brandwonden indien verkeerd gebruikt. Nooit uit elkaar halen, niet verwarmen tot boven de door de fabrikant aangegeven maximale temperatuurlimiet (60°C/140°F) en niet verbranden. Het gebruik van een andere accu kan leiden tot brandgevaar of een ontploffing.

- De accu moet vóór verwijdering uit het apparaat worden gehaald en dient veilig en onmiddellijk te worden afgevoerd. Buiten het bereik van kinderen houden. Vóór verwijdering blootliggende poolklemmen met stevig isolatieband afdekken om kortsluiting te voorkomen. De accu moet veilig worden ingeleverd bij uw plaatselijke recyclingcentrum.
- Nooit proberen om de accu uit elkaar te halen of om onderdelen die uit de poolklemmen steken te verwijderen, en de accu nooit in vuur werpen. De accu en oplader hebben geen onderdelen die door de gebruiker kunnen worden onderhouden. Dit kan leiden tot brand of letsel.
- Het apparaat vóór gebruik en wanneer u de accu gaat verwijderen altijd van de netvoeding afsluiten. Als de accu lekt, contact met de huid voorkomen en het volgende nummer bellen: +800 2672 6677.

BEWAAR DEZE HANDLEIDING ZODAT U DEZE OOK IN DE TOEKOMST KUNT RAADPLEGEN

Hartelijk dank!

Het doet ons een groot genoegen dat u een product van Dirt Devil hebt aangeschaft. Wij hopen dat het nieuwe apparaat voldoet aan uw verwachtingen!

U vindt nadere informatie over uw product in deze bedieningshandleiding en op onze website www.dirtdevil.de. Raadpleeg de contactgegevens op pagina 2 als u contact wilt opnemen met de klantenservice van Dirt Devil.

Technische gegevens

Soort apparaat	Draadloze stofzuiger
Model	DD778, DD778 (-0/.../-9)
Accu	Li-ion 32 V
max. bedrijfsduur	ca. 45 min
max. laadduur	ca. 4 uur
Netvoedingsadapter	Ingangsspanning: 100 – 240 V ~, 1 A Uitgangsspanning: 34 V, 600 mA
Capaciteit van stofreservoir	max. vullen tot 0,3 l; max. capaciteit is 0,6 l
Vermogen	234 W
Gewicht	3,1 kg

Milieubescherming en verwijdering

Als u het apparaat wilt verwijderen, dient u de oplaadbare accu eruit te halen en de oplaadbare accu en het apparaat apart te verwijderen.



Het apparaat, de oplaadbare accu en de netvoedingsadapter mogen niet met het huisvuil worden weggeworpen.



Verwijder het apparaat, de oplaadbare accu en de netvoedingsadapter door deze bij goedgekeurde inzamelpunten in te leveren.

Li-ion

Garantie

Indien u het apparaat als een consument binnen de Europese Unie hebt aangeschaft, is de relevante landelijk wetgeving zoals geïmplementeerd krachtens EU-richtlijn 2011/83/EU als minimale garantienorm van toepassing. In niet-EU-landen zijn de in het betreffende land geldende minimale garantievereisten van kracht. Uitgesloten zijn batterijen en oplaadbare accu's die als gevolg van normale slijtage of onjuist gebruik zijn beschadigd of korter meegaan.



Wij behouden ons het recht voor om technische en designspecificaties te wijzigen in het belang van continue productverbetering.
© Royal Appliance International GmbH

OVERZICHT VAN UW APPARAAT

Afb. 1

- A. Draaggreep
- B. Stofreservoir
- C. Knop om stofreservoir te legen
- D. Filterdeksel en filter
- E. Knop om stofreservoir te ontgrendelen
- F. Indicatorlampje accuspanning
- G. Boost-knop
- H. AAN/UIT-knop borstelrol
- I. AAN/UIT-knop
- J. Laadingang
- K. Steel
- L. Aangedreven mondstuk
- M. Borstelrol
- N. Oplader
- O. Wandbevestiging, 2 schroeven en pluggen
- P. Opbergklem voor spleetmondstuk

Inhoud Afb. 2

- A. Spleetmondstuk B. Afstofborstel

Uitpakken en in elkaar zetten

1. Pak de inhoud uit en controleer dat er niets ontbreekt (afb. 1 en 2).
2. Bevestig de steel en het aangedreven mondstuk aan de handheld. Deze onderdelen klikken op hun plaats (afb. 3).
3. Druk de opbergklem voor het spleetmondstuk op de onderkant van de steel en schuif dit hulpstuk op zijn plaats (afb. 4).

De wandbevestiging aanbrengen

1. Druk voordat u handheld aan de steel en het aangedreven mondstuk bevestigt eerst de wandbevestiging achter op de bovenkant van de steel (afb. 5/1).
2. Kies de plek waar u de steelstofzuiger wilt opbergen, bij voorkeur nabij een stopcontact, maar niet direct daarboven of daaronder. Plaats de steel en het aangedreven mondstuk van de stofzuiger tegen

de muur en controleer dat het aangedreven mondstuk plat op de vloer rust.

3. Houd de muurbeugel stevig tegen de muur gedrukt en gebruik een potlood om voor elke schroef een kleine markering te maken (afb. 5/2). Gebruik de schroeven en pluggen om de muurbeugel aan de muur te bevestigen.
4. De laadkabel en afstofborstel kunnen op de muurbeugel worden aangebracht (afb. 6).
5. Zet de steelstofzuiger helemaal in elkaar en druk hem stevig in de muurbeugel om hem veilig op te bergen. Controleer altijd dat de steelstofzuiger goed op zijn plaats is vastgezet.

De steelstofzuiger opladen

AANWIJZING U dient het apparaat vóór het eerste gebruik op te laden, en dit duurt de eerste keer vier uur. Als u nalaat om de accu vóór het eerste gebruik op te laden, kan dit afbreuk doen aan de prestaties van de accu. Hoelang de accu meegaat, is afhankelijk van de regelmaat waarmee de steelstofzuiger wordt gebruikt.

1. Om de steelstofzuiger op te laden, drukt u hem stevig in de muurbeugel. U kunt het apparaat ook als een handheld opladen; verwijder de steelstofzuiger van de steel en de hulpstukken en plaats hem op een plat, stabiel oppervlak.
2. Sluit de oplaadkabel aan op de laadingang (afb. 1/J) op de draaggreep van de handheld en steek de stekker van de oplader in het stopcontact.
3. Tijdens het opladen van de accu lichten de indicatorlampjes voor accuspanning om beurten op totdat alle vier de lampjes branden (afb. 7/1 en 7/2). Wanneer de accu helemaal is opgeladen, gaan de lampjes uit. De laadduur bij het eerste laadproces is vier uur.
4. Wanneer de steelstofzuiger wordt gebruikt, lichten de indicatorlampjes voor accuspanning op om aan

te geven hoeveel spanning er nog in de accu zit. Wanneer er minder dan 20% over is, knippert de onderste indicator met een rood lampje om aan te geven dat de accu moet worden opgeladen (afb. 7/3).

De steelstofzuiger gebruiken



WAARSCHUWING: De borstelrol in het aangedreven mondstuk draait constant wanneer deze is ingeschakeld. Het aangedreven mondstuk nooit langere tijd op één plek houden, aangezien de borstelrol de vloer dan kan beschadigen. Altijd de borstelrol in het aangedreven mondstuk uitschakelen wanneer u harde vloeren schoonmaakt. Om eventuele beschadiging te voorkomen eerst op een onopvallend gedeelte van de vloer testen.



ATTENTIE: Als de borstelrol in het aangedreven mondstuk verstopt raakt, wordt de sensor die de motor beschermt misschien geactiveerd. De borstelrol stopt en het lampje op het aangedreven mondstuk licht rood op (afb. 18). Om de sensor opnieuw in te stellen, schakelt u de borstelrol en de steelstofzuiger uit, verwijdert u het aangedreven mondstuk van de steel/handheld en verwijdert u de verstopping. Wacht 1 minuut alvorens het aangedreven mondstuk weer aan te brengen, zet de steelstofzuiger weer aan en druk op de AAN/UIT-schakelaar van de borstelrol.

1. Plaats uw voet op het aangedreven mondstuk (afb. 8/1) en trek de handgreep naar achteren om het achterover te kantelen (afb. 8/2).

2. Druk op de AAN/UIT-schakelaar op de draaggreep om de steelstofzuiger in te schakelen (afb. 9/1). De aan/uit-knop en indicatorlampjes voor de accuspanning op de draaggreep gaan branden (afb. 7/2).

3. Als u voor zeer stoffige plekken extra zuigkracht nodig hebt, kunt u de boostfunctie voor extra reinigingskracht activeren (afb. 9/3).

4. Om de borstelrol in te schakelen, drukt u op de AAN/UIT-knop van de borstelrol (afb. 9/2). Wanneer de borstelrol is geactiveerd, gaan het lampje op het aangedreven mondstuk en het AAN/UIT-lampje op de borstelrol branden en blijft de borstelrol constant draaien. Druk nogmaals op de AAN/UIT-knop van de borstelrol om deze uit te schakelen.

AANWIJZING: Zet de borstelrol in het aangedreven mondstuk AAN voor kleden en tapijten en UIT voor harde vloeren. Bij constant gebruik van de boostfunctie en de borstelrol zal de accu minder lang meegaan.

5. Alle accessoires, inclusief het aangedreven mondstuk, kunnen rechtstreeks aan de handheld (afb. 10) of de steel worden bevestigd. Het spleetmondstuk en de afstofborstel kunnen voor moeilijk bereikbare plekken en op verschillende hoogtes worden gebruikt om plekken boven de vloer schoon te maken.

DE STEELSTOFZUIGER ONDERHOUDEN



WAARSCHUWING: De steelstofzuiger altijd uitschakelen en de stekker uit de oplader en het stopcontact halen alvorens onderhoud uit te voeren of problemen te verhelpen.

Het stofreservoir verwijderen en weer aanbrenge

1. Duw de grendel op het stofreservoir omlaag (afb. 11/1) om het los te maken, kantel en til het reservoir op om het van de steelstofzuiger te verwijderen (afb. 11/2).

AANWIJZING: Als tijdens het schoonmaken ook het deksel van het stofreservoir met afscheider is verwijderd, controleer dan voordat u dit weer installeert dat de afscheider is aangebracht en het deksel op zijn plaats is vastgezet (afb. 13/1).

2. Om het stofreservoir weer op zijn plaats te zetten, plaatst u het verbindingstuk van het reservoir op één lijn met de draaggreep van de steelstofzuiger (afb. 12/1). Druk de grendel van het stofreservoir in (afb. 12/2) en duw het stofreservoir op de steelstofzuiger.

Laat de grendel van het stofreservoir los om het reservoir op zijn plaats vast te zetten.

3. Wanneer het reservoir goed op zijn plaats zit, staan de drie bevestigingspunten parallel en zitten ze vlak tegen de stofzuiger (afb. 13).

Het stofreservoir leegmaken

1. Duw de grendel op het stofreservoir omlaag (afb. 11/1) om het los te maken, kantel en til het reservoir op om het van de steelstofzuiger te verwijderen (afb. 11/2).

2. Houd het stofreservoir over een afvallemmer en druk op de knop om het stofreservoir te legen, zodat stof en vuil eruit kan vallen. (Afb. 14/1 en 2.)

3. Om het reservoir te sluiten, drukt u de klep weer dicht. (Afb. 14/3.)



ATTENTIE: Zorg dat het stofreservoir nooit te vol wordt; dit om te voorkomen dat de luchtstroom door de steelstofzuiger wordt geblokkeerd. Voor de beste resultaten leegt u het stofreservoir na elk gebruik. Filters moeten nadat u 4 tot 6 keer hebt gestofzuigd tegen de binnenrand van een afvallemmer worden getikt om vuil te verwijderen, en moeten om de 3 maanden worden gewassen. Filters moeten om de 6 tot 9 maanden worden vervangen, afhankelijk van hoe intensief de stofzuiger wordt gebruikt.

Het filter en de afscheider schoonmaken

1. Maak het stofreservoir leeg (afb. 14).

2. Til het lipje op het deksel van het stofreservoir op (afb. 15/1&2). Til het filterdeksel en de afscheider uit het stofreservoir (afb. 15/3).

3. Tik de afscheider tegen de binnenrand van een afvallemmer om stof en vuil te verwijderen en veeg de metalen mantel met een droge doek schoon (afb. 16/1).

4. Trek aan het lipje op het filter om dit uit de afscheider te verwijderen (afb. 16/2). Tik het filter tegen de binnenrand van een afvallemmer om stof en vuil te verwijderen (afb. 16/3).

5. Was het filter onder stromend water (max. 40°C) (afb. 17). Laat het ten minste 24 uur drogen, of tot het helemaal droog is, alvorens het weer op zijn plaats te zetten.

De borstelrol in het aangedreven mondstuk schoonmaken en vervangen

1. Druk een muntstuk op het slot van de borstelrol en draai het linksom om de borstelrol te ontgrendelen (afb. 19/1).

2. Trek de borstelrol uit zijn behuizing (afb. 20/1).

3. Om haar te verwijderen, schuift u het mes van een schaar in de groef op de borstelrol en knipt u langs de groef. Verwijder stof en vuil uit de einddoppen in de behuizing van het aangedreven mondstuk (afb. 21).

4. Zet de borstelrol weer op zijn plaats (afb. 20/2) en draai het slot rechtsom om de borstelrol vast te zetten (afb. 19/2).

De riem van het aangedreven mondstuk verwijderen en vervangen

1. Gebruik een kruiskopschroevendraaier om de drie schroeven los te draaien en verwijder het deksel (afb. 22/1).

2. Als de riem kapot is, verwijdert u de oude riem en verwijdert u alle vuil van de tanden. Om de riem te vervangen, haakt u de riem eerst over de kleine tand. Schuif de riem over de bovenkant van de grote tand en draai de riem en de tand linksom. Tijdens het draaien schuift de riem op de tand (afb. 22/2).

3. Zet het riemdeksel weer op zijn plaats en haal de schroeven aan om het deksel vast te zetten.

Op verstoppingen controleren

1. Druk op de ontgrendelknop van de handheld en verwijder de steel. Controleer het bevestigingspunt van de handheld en de reservoirinlaat en verwijder alle vuil en stof daaruit. (Afb. **23**/1.)
2. Controleer het aangedreven mondstuk op verstoppingen en gebruik een stomp voorwerp om de verstopping te verwijderen. (Afb. **23**/2.)
3. Om op verstoppingen in de steel te testen, gooit u een balletje papier in de steel. Het balletje papier valt er gewoon doorheen als de steel schoon is. Gebruik een bezemsteel of een soortgelijk stomp voorwerp om een verstopping te verwijderen (afb. **23**/3).

TOEBEHOREN EN RESERVEONDERDELEN

Bezoek ons op het internet op:

www.dirtdevil.de

Op onze website vindt u een groot aanbod aan reserveonderdelen & toebehoren en handige tips & tricks over uw Dirt-Devil-product.

PROBLEMEN OPLOSSEN

Er ontbreekt een accessoire

Controleer de inhoud (afb. 2).

Waarom krijgt mijn steelstofzuiger geen stroom?

- De steelstofzuiger moet misschien worden opgeladen. Ga naar **De steelstofzuiger opladen**.
- De thermische beveiliging van de motor is misschien geactiveerd. Maak het stofreservoir leeg en controleer op verstoppingen. Maak de filters schoon en laat de steelstofzuiger ongeveer één uur lag afkoelen. Als u de filters hebt gewassen, wacht dan 24 uur totdat ze helemaal droog zijn voordat u ze weer in de steelstofzuiger plaatst.

Waarom zuigt de steelstofzuiger niets op?

- Het stofreservoir is misschien niet goed aangebracht. Ga naar **Het stofreservoir verwijderen en weer aanbrengen**.
- Het stofreservoir is misschien verstopt. Controleer de inlaat van het stofreservoir en de handheld op verstoppingen. Ga naar **Het stofreservoir leegmaken**.
- De filters zijn misschien verstopt. Ga naar **Het filter en de afscheider schoonmaken**.
- Er is misschien een verstopping. Ga naar **Op verstoppingen controleren**.
- De borstelrol in het aangedreven mondstuk is niet geactiveerd. Ga naar **De steelstofzuiger gebruiken**.
- Het aangedreven mondstuk is misschien verstopt. Ga naar **De borstelrol in het aangedreven mondstuk schoonmaken en vervangen**.
- De steelstofzuiger, het aangedreven mondstuk en de steel zijn misschien niet goed aangebracht. Ga naar **Uitpakken en in elkaar zetten**.

Waarom brandt er een rood lampje op het apparaat?

- De accu is bijna leeg (<20%). Ga naar **De steelstofzuiger opladen**.

Waarom brandt er een rood lampje op het aangedreven mondstuk?

- De borstelrol in het aangedreven mondstuk is verstopt. Ga naar **De borstelrol in het aangedreven mondstuk schoonmaken en vervangen**.

Waarom beweegt het aangedreven mondstuk niet?

- De borstelrol in het aangedreven mondstuk is niet geactiveerd. Ga naar **De steelstofzuiger gebruiken**.
- Het hulpstuk en/of de borstelrol is misschien verstopt. Ga naar **De borstelrol in het aangedreven mondstuk schoonmaken en vervangen**.
- De steelstofzuiger, het aangedreven mondstuk en de steel zijn misschien niet goed aangebracht. Ga naar **Uitpakken en in elkaar zetten**.
- De riem van het hulpstuk is misschien kapot. Ga naar **De riem van het aangedreven mondstuk verwijderen en vervangen**.

Controleer voordat u contact opneemt met de Dirt Devil-klantenservice of het apparaat naar de Dirt Devil-klantenservice stuurt eerst het onderdeel Service op onze website. Hier vindt u een boel aanvullende informatie om u te helpen problemen op te lossen. www.dirtdevil.de/service

INFORMACJE DOTYCZĄCE BEZPIECZEŃSTWA

Informacje na temat tej instrukcji obsługi

Przed użyciem tego urządzenia należy dokładnie przeczytać niniejszą instrukcję obsługi. Należy zachować tę instrukcję obsługi do wykorzystania jej w przyszłości. Przekazując to urządzenie innej osobie, należy dołączyć do niego niniejszą instrukcję obsługi. Niestosowanie się do zaleceń zawartych w niniejszej instrukcji obsługi może być przyczyną poważnych obrażeń ciała oraz uszkodzenia urządzenia. Nasza firma nie ponosi jakiegokolwiek odpowiedzialności za szkody powstałe w wyniku niestosowania się do zaleceń zawartych w niniejszej instrukcji obsługi. Ważne informacje, których nie opisano w tym rozdziale, są oznaczone w następujący sposób:



OSTRZEŻENIE: Ostrzega o zagrożeniach dla zdrowia i wskazuje na możliwe niebezpieczeństwo odniesienia obrażeń ciała.



PRZESTROGA: Wskazuje możliwe zagrożenia dla urządzenia lub innych przedmiotów.

UWAGA Oznacza wskazówki oraz informacje.

Ogólne zastosowanie

Ten odkurzacz pionowy jest przeznaczony do użytku wyłącznie w gospodarstwach domowych. NIE jest on przeznaczony do zastosowań komercyjnych ani przemysłowych.

- Odkurzacza pionowego należy używać wyłącznie w pomieszczeniach i na suchych powierzchniach, a sprzątane pomieszczenie powinno być dobrze oświetlone.
- Nie używać odkurzacza do usuwania twardych lub ostrych przedmiotów, takich jak szkło, gwoździe, wręty, monety itp.
- Nie używać odkurzacza do usuwania gorącego popiołu, niedopałków papierosów, zapatek ani płonących lub dymiących przedmiotów.
- Nie używać w mokrych pomieszczeniach ani w miejscach, gdzie mogą się znajdować szkodliwe płyny (preparaty do odrażliwania rur i odpływów lub wybielacze zawierające chlor lub amoniak).

- Nie wolno usuwać niedrożności przy użyciu ostrych przedmiotów, ponieważ może to spowodować uszkodzenie odkurzacza pionowego.

- Do tego odkurzacza pionowego należy używać jedynie ładowarki, ssawek oraz akcesoriów zalecanych przez firmę Dirt Devil. Zawsze sprawdzać powierzchnię podłogi oraz akcesoria pod kątem ewentualnych uszkodzeń, zabrudzenia oraz zanieczyszczeń.

- Przed przeprowadzeniem jakichkolwiek prac konserwacyjnych należy zawsze wyłączać odkurzacz lub odłączać go od ładowarki. Niezbędne środki ostrożności można znaleźć w odpowiednich częściach niniejszej instrukcji obsługi.

- Przed użyciem odkurzacza pionowego należy zawsze sprawdzić, czy separator i filtry są prawidłowo przymocowane.

- Utrzymywać wszystkie otwory w stanie drożności i usuwać z nich zanieczyszczenia, ponieważ mogłyby one utrudniać przepływ powietrza i zasysanie.

- Zachować szczególną ostrożność podczas używania odkurzacza pionowego na schodach.



OSTRZEŻENIE: Należy zawsze wyłączać odkurzacz pionowy i odłączać go od ładowarki oraz gniazda sieciowego przed przystąpieniem do prac konserwacyjnych lub rozwiązywania problemów.



PRZESTROGA: Nie wolno doprowadzać do przepełnienia zbiornika kurzu, aby zapobiec zatrzymaniu przepływu powietrza przez odkurzacz pionowy. Aby uzyskać najwyższą skuteczność odkurzania, zbiornik kurzu należy opróżniać po każdym użyciu. Filtry należy czyścić co 4–6 cykli odkurzania przez uderzenie w nie nad pojemnikiem na odpady, aby usunąć brud i zanieczyszczenia, i myć co 3 miesiące. Filtry należy wymieniać co 6–9 miesięcy, w zależności od intensywności użytkowania.

Bezpieczeństwo

- Dzieci w wieku co najmniej 8 lat oraz osoby o obniżonej sprawności fizycznej, sensorycznej lub umysłowej, a także osoby nieposiadające odpowiedniej wiedzy i doświadczenia mogą używać tego odkurzacza pionowego pod warunkiem, że będą one nadzorowane

lub otrzymają instruktaż w zakresie bezpiecznej obsługi odkurzacza pionowego oraz rozumieją związane z nią zagrożenia. Dzieci nie mogą bawić się odkurzaczem pionowym. Dzieciom nie wolno czyścić odkurzacza pionowego ani poddawać go czynnościom konserwacyjnym bez nadzoru.

- Trzymać palce, włosy i luźną odzież z dala od ruchomych części oraz otworów podczas używania odkurzacza pionowego.
- Nie wolno używać odkurzacza pionowego, który został upuszczony, uszkodzony, zanurzony w wodzie lub pozostawiony na zewnątrz.
- Nie wolno dotykać wtyczki ładowarki ani obsługiwać odkurzacza pionowego mokrymi dłońmi.
- Ładowarki odkurzacza pionowego nie wolno używać, jeśli jej przewód lub wtyczka są uszkodzone.
- Nie odłączać ładowarki przez ciągnięcie za jej przewód.

Zasilanie

- Nie wolno ładować odkurzacza pionowego na zewnątrz ani pozostawiać ładowarki w gniazdku zasilania sieciowego, gdy nie jest ona używana.
- Nie wolno podłączać niewłaściwej ładowarki do odkurzacza pionowego, ponieważ może to doprowadzić do jego uszkodzenia lub obrażeń ciała użytkownika. Informacje na temat prawidłowej ładowarki zawiera tabliczka znamionowa.
- Należy zawsze używać ładowarki dostarczonej w zestawie z odkurzaczem pionowym. W przypadku ładowania odkurzacza pionowego z wykorzystaniem przedłużacza należy używać jedynie przedłużaczy ze znakiem CE o obciążalności 13 A. Przedłużacze nieposiadające takiego oznaczenia mogą się przegrzewać. Należy zadbać o prawidłowe ułożenie przedłużacza, ponieważ może on stwarzać zagrożenie potknięcia.

Wałek z włosiem



OSTRZEŻENIE: Wałek z włosiem nieustannie wiruje w elektroszczotce po jego włączeniu.

Nie wolno pozostawiać elektroszczotki w jednym miejscu przez dłuższy czas, ponieważ wałek z włosiem może uszkodzić powierzchnię podłogi. W przypadku czyszczenia twardych podłóg należy zawsze wyłączać wałek z włosiem w elektroszczotce. Aby zapobiec ewentualnym uszkodzeniom, należy w pierwszej kolejności sprawdzić rezultaty na niewidocznej powierzchni.



PRZESTROGA: Blokada wałka z włosiem w elektroszczotce może być spowodowana

zadziałaniem czujnika chroniącego napędzający go silnik. Wałek z włosiem przestanie wirować, a kontrolka na elektroszczotce zaświeci się na czerwono. Aby zresetować, należy wyłączyć wałek z włosiem oraz odkurzacza pionowy, odłączyć elektroszczotkę od rury ssącej lub modułu ręcznego, a następnie usunąć przyczynę blokady. Odczekać 1 minutę przed ponownym podłączeniem elektroszczotki, a następnie włączyć odkurzacza pionowy i nacisnąć przycisk ON/OFF (Wł./wył.) wałka z włosiem.

Przechowywanie

- Odkurzacza pionowy należy przechowywać w suchym i chłodnym miejscu. Jeśli czyszczenie filtrów przeprowadzono zgodnie z zaleceniami zawartymi w instrukcji obsługi, przed przechowaniem urządzenia należy się upewnić, że dokładnie wyschły. Ten odkurzacza pionowy nie utrzyma pozycji pionowej bez stałego podparcia. Nieużywany odkurzacza należy położyć płasko na podłodze w odpowiednim miejscu, w którym nie będzie on stwarzać ryzyka potknięcia ani nie zostanie nadepięty.

Akumulator i utylizacja



PRZESTROGA: Niewłaściwe postępowanie z akumulatorem zastosowanym w tym urządzeniu może stwarzać ryzyko pożaru lub poparzenia chemicznego. Nie wolno go rozmontowywać, wystawiać na działanie temperatury wyższej od maksymalnego limitu określonego przez producenta (60°C/140°F) ani wrzucać do ognia. Użycie akumulatora innego typu może stwarzać ryzyko pożaru lub eksplozji.

- Akumulator należy wyjąć z urządzenia przed jego utylizacją. Zużyty akumulator należy natychmiast zutylizować w sposób bezpieczny. Trzymać z dala od dzieci. Przed utylizacją odsłonięte złącza należy zabezpieczyć grubą taśmą izolacyjną, aby zapobiec zwarciu. Akumulator należy przekazać do bezpiecznej utylizacji w najbliższym zakładzie utylizacji akumulatorów.
- Nie wolno rozmontowywać akumulatora, wyjmować jakichkolwiek elementów wystających z jego złączy ani wrzucać go do ognia. Akumulator i ładowarka nie zawierają części przeznaczonych do naprawy przez użytkownika. Niebezpieczeństwo pożaru lub odniesienia obrażeń ciała.
- Urządzenie należy odłączyć od gniazda sieciowego przed użyciem lub przed wyjęciem akumulatora w celu przekazania go do utylizacji. W przypadku wycieku płynu z akumulatora nie wolno doprowadzać do kontaktu skóry z tym płynem. Zadzwoń pod numer +800 2672 6677.

ZACHOWAĆ TĘ INSTRUKCJĘ DO WYKORZYSTANIA W PRZYSZŁOŚCI

Dziękujemy!

Cieszymy się, że wybrali Państwo produkt firmy Dirt Devil. Życzymy udanego korzystania z tego urządzenia i jeszcze raz dziękujemy za jego zakup.

Dalsze informacje na temat tego produktu zawiera niniejsza instrukcja obsługi oraz nasza strona internetowa: <http://dirt-devil.pl/>. Dane kontaktowe działu obsługi klienta firmy Dirt Devil zawiera strona 2.

Dane Techniczne

Typ urządzenia	Odkurzacz bezprzewodowy
Model	DD778, DD778 (-0/.../-9)
Akumulator	Litowo-jonowy 32 V
Maksymalny czas pracy	Okolo 45 min
Maksymalny czas ładowania	Okolo 4 godziny
Zasilacz sieciowy	Prąd wejściowy: 100–240 V AC, 1 A Prąd wyjściowy: 34 V, 600 mA
Pojemność zbiornika kurzu	Maksymalny poziom napełnienia: 0,3 l; maksymalna pojemność: 0,6 l
Zasilanie	234 W
Waga	3,1 kg

Ochrona środowiska i utylizacja

W przypadku przekazywania urządzenia do utylizacji należy wyjąć akumulator, a urządzenie i akumulator należy przekazywać do utylizacji oddzielnie.



Nie wolno wyrzucać urządzenia, akumulatora oraz ładowarki razem z odpadami komunalnymi.



Urządzenie, akumulator oraz zasilacz należy przekazać do utylizacji oddzielnie w odpowiednim punkcie zbiórki odpadów.

Akumulator
litowo-jonowy

Gwarancja

Jeśli urządzenie zostało zakupione przez konsumenta na obszarze Unii Europejskiej, wówczas zastosowanie mają odpowiednie przepisy prawa krajowego wprowadzone zgodnie z unijną dyrektywą 2011/83/UE jako minimalna ochrona gwarancyjna. W państwach spoza UE zastosowanie mają minimalne wymogi ochrony gwarancyjnej obowiązujące w danym kraju. Powyższe postanowienia nie mają zastosowania do baterii ani akumulatorów, w przypadku których wystąpiły wady lub ich żywotność uległa skróceniu w wyniku normalnego zużycia bądź niewłaściwego postępowania z nimi.



Nasza firma zastrzega sobie prawo do wprowadzania zmian w parametrach technicznych oraz konstrukcji w ramach programu nieustannego ulepszania produktów.

© Royal Appliance International GmbH

ELEMENTY URZĄDZENIA

Rys. 1

- A. Uchwyt transportowy
- B. Zbiornik kurzu
- C. Przycisk do usuwania kurzu
- D. Osłona filtru i filtr
- E. Zatrząsk zwalniający zbiornik kurzu
- F. Kontrolka stanu naładowania akumulatora
- G. Przycisk trybu Boost
- H. Przycisk ON/OFF (Wł./wył.) wałka z włosiem
- I. Przycisk ON/OFF (Wł./wył.)
- J. Gniazdo ładowania
- K. Rura ssąca
- L. Elektroszczotka
- M. Wałek z włosiem
- N. Ładowarka
- O. Uchwyt ścienny, 2 wkręty i zaśleпки
- P. Uchwyt do przechowania ssawki szczelinowej

Elementy pokazane na rys. 2

- A. Ssawka szczelinowa
- B. Ssawka z włosiem

Rozpakowanie i składanie urządzenia

1. Wyjąć zawartość opakowania i sprawdzić, czy dostarczono wszystkie elementy (rys. 1 i 2).
2. Przymocować rurę ssącą i elektroszczotkę do modułu ręcznego. Dźwięk kliknięcia oznacza prawidłowe połączenie elementów (rys. 3).
3. Wcisnąć uchwyt do mocowania ssawki szczelinowej w dolną część rury ssącej i przymocować do niego ssawkę szczelinową (rys. 4).

Montaż uchwytu ściennego

1. Po odłączeniu modułu ręcznego od rury ssącej i elektroszczotki wcisnąć uchwyt ścienny w miejsce znajdujące się u góry w tylnej części rury ssącej (rys. 5/1).
2. Wybrać miejsce, w którym odkurzacz pionowy będzie przechowywany — najlepiej w pobliżu gniazda sieciowego, ale nie bezpośrednio nad gniazdem ani pod nim. Elektroszczotkę odkurzacza pionowego oraz rurę ssącą oprzeć o ścianę. Upewnić się, że elektroszczotka spoczywa na podłodze.

3. Mocno przycisnąć uchwyt ścienny do ściany i zaznaczyć miejsca, w których będą się znajdować wkręty (rys. 5/2). Przymocować uchwyt ścienny do ściany przy użyciu wkrętów oraz zaślepek.
4. Do uchwytu ściennego można przymocować przewód ładowarki oraz ssawkę z włosiem (rys. 6).
5. Dokładnie złożyć odkurzacz pionowy i mocno wcisnąć go w uchwyt ścienny, aby go zabezpieczyć. Należy się upewnić, że odkurzacz pionowy jest prawidłowo unieruchomiony.

Ładowanie odkurzacza pionowego

UWAGA

Czas pierwszego ładowania wynosi 4 godziny. Przed pierwszym użyciem urządzenie należy naładować. Jeśli akumulator nie zostanie naładowany przed pierwszym użyciem urządzenia, wówczas nie będzie działać z oczekiwaną wydajnością. Okres eksploatacji akumulatora różni się w zależności od sposobu użytkowania odkurzacza pionowego.

1. Aby naładować odkurzacz pionowy, należy go mocno przymocować do uchwytu ściennego. Można również ładować moduł ręczny — w tym celu należy odłączyć rurę ssącą oraz akcesoria od odkurzacza pionowego i położyć go na płaskiej i stabilnej powierzchni.
2. Podłączyć przewód ładowarki do gniazda ładowania (rys. 1/1) znajdującego się na uchwycie transportowym modułu ręcznego, a wtyczkę ładowarki podłączyć do gniazda sieciowego.
3. Kontrolki stanu naładowania akumulatora będą się stopniowo świecić podczas ładowania akumulatora do momentu, aż zaświecą się wszystkie cztery kontrolki (rys. 7/1 i 7/2). Kontrolki zgasną po zakończeniu ładowania. Czas pierwszego ładowania wynosi 4 godziny.
4. Podczas używania odkurzacza pionowego świecą się kontrolki stanu naładowania akumulatora, wskazując pozostałą ilość ładunku. Jeśli stan naładowania akumulatora wynosi mniej niż 20%, dolna kontrolka miga na czerwono, co oznacza, że akumulator jest bliski rozładowaniu i konieczne jest jego naładowanie (rys. 7/3).

Używanie odkurzacza pionowego



OSTRZEŻENIE: Wałek z włosiem nieustannie wiruje w elektroszczotce po jego włączeniu.

Nie wolno pozostawiać elektroszczotki w jednym miejscu przez dłuższy czas, ponieważ wałek z włosiem może uszkodzić powierzchnię podłogi. W przypadku czyszczenia twardych podłóg należy zawsze wyłączać wałek z włosiem w elektroszczotce. Aby zapobiec ewentualnym uszkodzeniom, należy w pierwszej kolejności sprawdzić rezultaty na niewidocznej powierzchni.



PRZESTROGA: Blokada wałka z włosiem w elektroszczotce może być spowodowana zadziałaniem czujnika chroniącego napędzający go silnik. Wałek z włosiem przestanie wirować, a kontrolka na elektroszczotce zaświeci się na czerwono (rys. 18). Aby zresetować, należy wyłączyć wałek z włosiem oraz odkurzacz pionowy, odłączyć elektroszczotkę od rury ssącej lub modułu ręcznego, a następnie usunąć przyczynę blokady. Odczekać 1 minutę przed ponownym podłączeniem elektroszczotki, a następnie włączyć odkurzacz pionowy i nacisnąć przycisk ON/OFF (Wł./wył.) wałka z włosiem.

1. Położyć stopę na elektroszczotce (rys. 8 /1) i pociągnąć do tyłu za uchwyt, aby ustawić urządzenie w pozycji nachylonej (rys. 8 /2).
2. Aby włączyć odkurzacz pionowy, należy nacisnąć przycisk ON/OFF (Wł./wył.) znajdujący się na uchwycie (rys. 9 /1). Zaświeci się przycisk On/Off (Wł./wył.) oraz kontrolki stanu naładowania akumulatora na uchwycie (rys. 7 /2).
3. Aby zwiększyć siłę ssania w mocno zakurzonych miejscach, które wymagają dokładniejszego odkurzenia, można użyć trybu Boost (rys. 9 /3).

4. Aby wyłączyć wałek z włosiem, należy nacisnąć przycisk ON/OFF (Wł./wył.) wałka z włosiem (rys. 9 /2). Kontrolka na elektroszczotce oraz kontrolka ON/OFF (Wł./wył.) wałka z włosiem świecą się, gdy wałek z włosiem jest włączony i nieustannie wiruje. Aby wyłączyć wałek z włosiem, należy ponownie nacisnąć przycisk ON/OFF (Wł./wył.) wałka z włosiem.

UWAGA: Wałek z włosiem w elektroszczotce powinien być włączony podczas odkurzania dywanów i wyłączony podczas odkurzania twardych podłóg. Nieustanne korzystanie z trybu Boost oraz włączenie wałka z włosiem skraca czas pracy akumulatora.

5. Wszystkie akcesoria — włącznie z elektroszczotką — można podłączyć bezpośrednio do modułu ręcznego (rys. 10) lub do rury ssącej. Ssawki szczelinowej i ssawki z włosiem można używać do odkurzania w trudno dostępnych miejscach oraz w miejscach znajdujących się nad podłogą.

KONSERWACJA ODKURZACZA PIONOWEGO



OSTRZEŻENIE: Należy zawsze wyłączać odkurzacz pionowy i odłączyć go od ładowarki oraz gniazda sieciowego przed przystąpieniem do prac konserwacyjnych lub rozwiązywania problemów.

Wymywanie i ponowny montaż zbiornika kurzu

1. Nacisnąć zatrzask pojemnika kurzu (rys. 11 /1), aby go zwolnić, a następnie niezznacznie przechylić i wyjąć pojemnik kurzu z odkurzacza pionowego (rys. 11 /2).

UWAGA: Jeśli usunięto wieko zbiornika z separatorem w celu oczyszczenia, przed ponownym złożeniem elementów należy się upewnić, że separator został ponownie zamontowany, a wieko jest zablokowane w prawidłowym położeniu (rys. 13 /1).

2. Aby ponownie zamontować zbiornik, należy wyrównać złącze zbiornika kurzu z uchwytem odkurzacza pionowego (rys. 12/1). Nacisnąć zatrzask zwalniający zbiornik kurzu (rys. 12/2) i wepchnąć zbiornik kurzu do odkurzacza pionowego. Zwolnić zatrzask zbiornika kurzu, aby zablokować zbiornik we właściwym położeniu.
3. Gdy elementy są prawidłowo połączone, wszystkie 3 punkty łączenia są umieszczone równo w jednej linii (rys. 13).

Opróżnianie zbiornika kurzu

1. Nacisnąć zatrzask pojemnika kurzu (rys. 11/1), aby go zwolnić, a następnie nieznacznie przechylić i wyjąć pojemnik kurzu z odkurzacza pionowego (rys. 11/2).
2. Umieścić zbiornik kurzu nad pojemnikiem na odpady, a następnie nacisnąć przycisk do opróżniania usuwania kurzu, aby wysypać kurz i zanieczyszczenia (rys. 14/1 i 2).
3. Aby zamknąć zbiornik, należy wcisnąć i zablokować pokrywę do usuwania kurzu. (rys. 14/3).



PRZESTROGA: Nie wolno doprowadzać do przepełnienia zbiornika kurzu, aby zapobiec zatrzymaniu przepływu powietrza przez odkurzacza pionowy. Aby uzyskać najwyższą skuteczność odkurzania, zbiornik kurzu należy opróżnić po każdym użyciu. Filtry należy czyścić co 4–6 cykli odkurzania przez uderzenie w nie nad pojemnikiem na odpady, aby usunąć brud i zanieczyszczenia, i myć co 3 miesiące. Filtry należy wymieniać co 6–9 miesięcy, w zależności od intensywności użytkowania.

Czyszczenie filtra i separatora

1. Opróżnić zbiornik kurzu (rys. 14).
2. Podnieść wypust na pokrywie zbiornika kurzu (rys. 15/1 i 2). Wyjąć osłonę filtra i separator ze zbiornika kurzu (rys. 15/3).
3. Lekko stukać w separator nad pojemnikiem na odpady, aby usunąć z niego kurz i zanieczyszczenia, a metalową osłonę przetrzeć suchą ściereczką (rys. 16/1).

4. Pociągnąć za wypust filtra, aby wyjąć go z separatora (rys. 16/2). Lekko stukać filtrem o pojemnik na odpady, aby usunąć z niego kurz i zanieczyszczenia (rys. 16/3).
5. Umyć filtr pod bieżącą wodą (o maksymalnej temperaturze 40°C) (rys. 17). Przed ponownym umieszczeniem w urządzeniu pozostawić go do wyschnięcia na co najmniej 24 godziny.

Czyszczenie i wymiana wałka z włosiem w elektroszczotce

1. Używając monety, nacisnąć i obrócić blokadę wałka z włosiem w kierunku przeciwnym do ruchu wskazówek zegara, aby zwolnić wałek z włosiem (rys. 19/1).
2. Wyjąć wałek z włosiem z jego obudowy (rys. 20/1).
3. Aby pozbyć się nitki lub włosów, należy wsunąć ostrze nożyczek w rowek wałka z włosiem i przycinać je, przesuując nożyczki wzdłuż rowka. Usunąć kurz lub zanieczyszczenia z osłon na końcach oraz z wnętrza obudowy elektroszczotki (rys. 21).
4. Ponownie włożyć wałek z włosiem (rys. 20/2) i obrócić blokadę wałka z włosiem w kierunku zgodnym z ruchem wskazówek zegara, aby go zablokować (rys. 19/2).

Wymowanie i wymiana paska napędowego elektroszczotki

1. Wykręcić 3 śruby za pomocą wkrętaka krzyżakowego i zdjąć osłonę (rys. 22/1).
2. Jeśli pasek jest pęknięty, należy go wyjąć i usunąć wszelkie zanieczyszczenia z kół zębatach. Podczas wymiany pasek należy najpierw zaczepić o mniejsze koło zębate. Nasunąć pasek na górną część większego koła zębatego i obracać pasek oraz koło zębate w kierunku przeciwnym do ruchu wskazówek zegara. Podczas obracania pasek nasunie się na koło zębate (rys. 22/2).
3. Ponownie zamocować osłonę paska i dokręcić śruby, aby zapewnić prawidłowe połączenie elementów.

Sprawdzanie niedrożności

1. Nacisnąć przycisk zwalniania modułu ręcznego i odłączyć rurę ssącą. Złącze modułu ręcznego oraz okolice wlotu do zbiornika kurzu sprawdzić pod kątem obecności kurzu oraz zanieczyszczenia i usunąć je (rys. 23/1).
2. Sprawdzić elektroszczotkę pod kątem ewentualnych niedrożności i usunąć je za pomocą tępego przedmiotu (rys. 23/2).
3. Aby sprawdzić, czy rura ssąca jest niedrożna, należy wrzucić do niej małą kulkę z papieru. Jeśli rura ssąca jest drożna, kulka wypadnie po przeciwnej stronie rury. Usunąć ewentualne niedrożności przy użyciu kija od miotły lub tępego przedmiotu o podobnym kształcie (rys. 23/3).

AKCESORIA I CZĘŚCI ZAMIENNE

Odwiedź nas w Internecie pod adresem:

www.dirtdevil.de

Na naszej stronie internetowej znajdziesz duży wybór części zamiennych i akcesoriów, jak też praktyczne rady i triki dotyczące Twojego produktu Dirt Devil.

ROZWIĄZYWANIE PROBLEMÓW

Brak jednego z akcesoriów

Sprawdzić zawartość opakowania (rys. 2).

Brak zasilania odkurzacza pionowego

■ Odkurzacze pionowe mogą wymagać naładowania. Skorzystać ze wskazówek zawartych w punkcie **Ładowanie odkurzacza pionowego**.

■ Mogło nastąpić włączenie termostatu silnika. Opróżnić zbiornik kurzu i sprawdzić, czy nie występują niedrożności. Oczyszczyć filtry i odczekać około 1 godzinę do ostygnięcia odkurzacza pionowego. Jeśli filtry zostały umyte, należy odczekać 24 godziny do ich całkowitego wyschnięcia zanim zostaną ponownie włożone do odkurzacza pionowego.

Odkurzacze pionowe nie zbiera kurzu

■ Zbiornik kurzu może być nieprawidłowo zamocowany. Skorzystać ze wskazówek zawartych w punkcie **Wymowienie i ponowny montaż zbiornika kurzu**.

■ Zbiornik kurzu może być niedrożny. Sprawdzić zbiornik kurzu oraz moduł ręczny pod kątem niedrożności. Skorzystać ze wskazówek zawartych w punkcie **Opróżnianie zbiornika kurzu**.

■ Filtry mogą być zapchane. Skorzystać ze wskazówek zawartych w punkcie **Czyszczenie filtra i separatora**.

■ Może występować niedrożność. Skorzystać ze wskazówek zawartych w punkcie **Sprawdzanie niedrożności**.

■ Wałek z włosiem w elektroszczotce nie został włączony. Skorzystać ze wskazówek zawartych w punkcie **Używanie odkurzacza pionowego**.

■ Elektroszczotka może być niedrożna. Skorzystać ze wskazówek zawartych w punkcie **Czyszczenie i wymiana wałka z włosiem w elektroszczotce**.

■ Odkurzacze pionowe, elektroszczotka i rura ssąca mogą być nieprawidłowo złożone. Skorzystać ze wskazówek zawartych w punkcie **Rozpakowanie i składanie urządzenia**.

Na urządzeniu świeci się czerwona kontrolka

■ Akumulator jest bliski rozładowania (< 20%). Skorzystać ze wskazówek zawartych w punkcie **Ładowanie odkurzacza pionowego**.

Na elektroszczotce świeci się czerwona kontrolka

■ Wałek z włosiem w elektroszczotce zablokował się. Skorzystać ze wskazówek zawartych w punkcie **Czyszczenie i wymiana wałka z włosiem w elektroszczotce**.

Elektroszczotka nie obraca się

■ Wałek z włosiem w elektroszczotce nie został włączony. Skorzystać ze wskazówek zawartych w punkcie **Używanie odkurzacza pionowego**.

■ Elektroszczotka może być niedrożna lub wałek z włosiem może być zablokowany. Skorzystać ze wskazówek zawartych w punkcie **Czyszczenie i wymiana wałka z włosiem w elektroszczotce**.

■ Odkurzacze pionowe, elektroszczotka i rura ssąca mogą być nieprawidłowo złożone. Skorzystać ze wskazówek zawartych w punkcie **Rozpakowanie i składanie urządzenia**.

■ Pasek elektroszczotki może być pęknięty. Skorzystać ze wskazówek w punkcie **Wymowienie i wymiana paska napędowego elektroszczotki**.

Zanim zdecydują się Państwo na kontakt z działem obsługi klienta firmy Dirt Devil lub wysłanie urządzenia do działu obsługi klienta firmy Dirt Devil zachęcamy do zapoznania się z licznymi dodatkowymi informacjami w sekcji dotyczącej serwisu urządzenia na naszej stronie internetowej, które pomogą Państwu w rozwiązywaniu problemów. dirt-devil.pl/serwis

BEZPEČNOSTNÍ INFORMACE

O tomto návodu

Než začnete přístroj používat, přečtěte si celý návod k obsluze. Návod uschovejte pro pozdější využití. Pokud přístroj postoupíte třetím osobám, musí být předán s tímto návodem k použití. Nedodržení pokynů tohoto návodu může vést k vážným úrazům či poškození přístroje. Za škody způsobené v důsledku nedodržení tohoto návodu k použití nepřebíráme žádnou odpovědnost. Důležité informace obsažené v této kapitole jsou označeny následujícím způsobem:



VÝSTRAHA: Varuje před zdravotními riziky a označuje možná rizika úrazu.



POZOR: Označuje rizika pro přístroj a další předměty.

UPOZORNĚNÍ Vyzdvihuje tipy a informace.

Obecné využití

Tento tyčový vysavač je určen výhradně pro použití v domácnosti, a NE pro komerční nebo průmyslové účely.

- Přístroj používejte výhradně na suchých površích ve vnitřních prostorách a plochu, kterou uklízíte, mějte dobře osvětlenou.
- Nevysávejte tvrdé nebo ostré předměty jako sklo, hřebíky, šrouby, mince apod.
- Nevysávejte žhavé uhlíky, cigaretové nedopalky, sirky či hořící nebo doutnající předměty.
- Přístroj nepoužívejte v mokrých prostorách, nebo v prostorách, kde se mohou vyskytovat škodlivé kapaliny (chlor, bělidla a amoniakové prostředky na čištění odpadů).

- Nepokoušejte se odstraňovat zaseknuté předměty ostrými nástroji, protože tím byste mohli přístroj poškodit.
- Spolu s přístrojem by měla být používána výhradně nabíječka, nástroje a příslušenství doporučené výrobcem přístrojů značky Dirt Devil a před každým použitím zkontrolujte, zda nejsou sací hubice a příslušenství poškozené a zda nejsou zanesené nečistotami či předměty.
- Než se pustíte do jakékoliv údržby, přístroj vždy vypněte a odpojte od nabíječky. Pro přehled o potřebných preventivních opatření viz příslušné oddíly návodu k obsluze.
- Než začnete tyčový vysavač používat, vždy se ujistěte, že jsou separátor a filtry správně nasazeny.
- Všechny otvory udržujte čisté a bez usazenin, protože to může mít vliv na proudění vzduchu/sání.
- Buďte obzvláště opatrní při vysávání schodů.



VÝSTRAHA: Než se pustíte do řešení problémů nebo do údržby, přístroj vždy vypněte a odpojte ze sítě.



POZOR: Aby se předešlo přerušení proudění vzduchu skrze nádobu na nečistoty, nikdy ji nenechte přeplnit. Nejlepších výsledků vysávání dosáhnete, když nádobu na nečistoty vyprázdníte po každém použití. Po každých 4-6 použitích je filtry nutno oklepat od nečistot a každé 3 měsíce je třeba je umýt. Filtry je, v závislosti na míře používání, třeba každých 6-9 měsíců vyměnit.

Bezpečnost

- Tento přístroj mohou používat děti od 8 let věku a osoby s omezenými fyzickými,

senzorickými nebo duševními schopnostmi, případně osoby s nedostatkem zkušeností a znalostí, pokud jsou pod dohledem, nebo byly-li instruovány, jak přístroj bezpečně používat, a chápou související rizika. Děti si nesmí s přístrojem hrát. Čištění a uživatelskou údržbu nesmí provádět děti, pokud nejsou pod dohledem.

■ Dávejte pozor, aby se vám během používání přístroje nedostaly prsty, vlasy a volné součásti oblečení do blízkosti pohyblivých částí a otvorů.

■ Přístroj nepoužívejte v případech, kdy vám upadl, poškodil se, byl namočen nebo byl ponechán ve venkovním prostředí.

■ Se zástrčkou nabíječky ani s přístrojem nemanipulujte s vlhkýma rukama.

■ Tyčový vysavač nepoužívejte, když jsou kabel nabíječky nebo jeho zástrčka poškozené.

■ Nabíječku od sítě neodpojujte taháním za napájecí šňůru.


Napájení

■ Přístroj nenabíjejte ve venkovních prostorách ani nabíječku nenechávejte připojenou k síti, když není používána.


■ Přístroj nenabíjejte nesprávnou nabíječkou, neboť tím může dojít ke škodám nebo zranění uživatele. Údaje o parametrech vhodné nabíječky jsou uvedeny na datovém štítku.

■ Pro nabíjení tyčového vysavače používejte výhradně s ním dodanou nabíječku. Pakliže chcete nabíječku přístroje napojit na prodlužovací kabel, používejte výhradně kabely certifikované podle CE pro proud nejméně 13 ampérů, necertifikované prodlužovací kabely se mohou přehřívat. Prodlužovací kabel je třeba vést tak, aby se o něj nedalo zakopnout.

Kartáčová hlavice

 **VÝSTRAHA:** Kartáč v poháněné hlavici se po zapnutí nepřetržitě točí.

Nikdy poháněnou kartáčovou hlavici na jednom místě nepoužívejte delší chvíli, neboť by kartáč mohl poškodit povrch podlahy. Při vysávání hladkých podlah mějte poháněnou kartáčovou hlavici vždy vypnutou. Abyste předešli poškození, nejprve kartáč otestujte na nenápadném místě podlahy.

 **POZOR:** V případě, že se kartáč v poháněné hlavici zadře o zaklíněné nečistoty, může se aktivovat ochranné čidlo motoru. Kartáč se zastaví a na poháněné hlavici se rozsvítí červená kontrolka. Aby se spínač čidla vrátil do výchozí polohy, je nutno přístroj vypnout, hlavici sejmout ze sací trubice/přístroje a odstraňte případné blokuující předměty. Před opětovným nasazením poháněné hlavice sečkejte 1 minutu, posléze tyčový vysavač zapněte a stiskněte vypínač kartáče.

Skladování

■ Tyčový vysavač skladujte v chladných a suchých vnitřních prostorách. Po vyčištění filtrů způsobem popsáním v návodu k obsluze je před uskladněním ponechte důkladně proschnout. Bez opory se tento tyčový vysavač sám neudrží ve svislé poloze. Mezi jednotlivými použitími jej pokládejte naležato, na vhodném místě, kde nebude možno o něj zakopnout nebo na něj šlápnout.

Likvidace akumulátoru



POZOR: Akumulátor, který je součástí tohoto přístroje, může v případě nevhodného používání představovat požární riziko nebo riziko poleptání. Akumulátor nerozebírejte, nezahřívejte na teplotu vyšší, než je maximální teplota uváděná výrobcem, ani nepalte. Použití jiného akumulátoru může způsobit požár nebo výbuch.

■ Před likvidací musí být z přístroje odstraněn akumulátor, která musí být následně řádným a bezpečným způsobem zlikvidován. Udržujte mimo dosah dětí. Před likvidací odkryté kontakty zaizolujte silnou izolační páskou, aby se předešlo zkratu. Akumulátor nechte bezpečně zlikvidovat ve vašem místním středisku pro recyklaci baterií

■ Nepokoušejte se akumulátor rozebírat, odstraňovat z něj kterékoliv součásti vyčnívající z kontaktů a nevhazujte jej do ohně. Akumulátor ani nabíječka neobsahují žádné součástky, které by mohl uživatel dále využít. Nedodržení těchto pokynů může mít za následek požár nebo úraz.

■ Než přístroj začnete používat nebo než se pustíte do odstraňování akumulátoru, musí být přístroj odpojen od napájení ze sítě. V případě netěsnosti akumulátoru se vyvarujte styku unikajícího materiálu s pokožkou a volejte na telefonní číslo +800 2672 6677.

NÁVOD USCHOVEJTE PRO POZDĚJŠÍ POUŽITÍ

Děkujeme!

Těší nás, že jste se rozhodli zakoupit výrobek značky Dirt Devil. Doufáme, že budete s používáním výrobku spokojeni a děkujeme vám za jeho nákup.

Další informace o výrobku naleznete v tomto návodu k obsluze nebo na našich internetových stránkách na adrese www.dirtdevil.de. Pokud se chcete spojit se servisním oddělením značky Dirt Devil, použijte k tomu kontaktní údaje na straně 2.

Technické údaje

Typ přístroje	Bez kabelový vysavač
Model	DD778, DD778 (-0/.../-9)
Akumulátor	Li-ion 32V
max. výdrž akumulátoru	cca 45 min
max. doba nabíjení	cca 4 hodiny
Napájecí adaptér	Vstup: 100 – 240 V ~, 1A Výstup: 34 V, 600 mA
Kapacita nádoby na nečistoty	0,3l max. naplnění, 0,6l max. víko
Výkon	234 W
Hmotnost	3,1 kg

Ekologická ochrana a likvidace

Chcete li se přístroje zbavit, odstraňte z něj akumulátor a nechte jej zlikvidovat zvlášť.



Přístroj, akumulátor ani napájecí adaptér nevyhazujte spolu s domácím odpadem.



Přístroj, akumulátor a napájecí adaptér nechte zlikvidovat zvlášť, na příslušných sběrných místech.

Li-ion

Záruka

Pokud jste přístroj zakoupili jako spotřebitel v Evropské unii, vztahuje se na něj jako minimální standard záruky příslušná národní legislativa implementovaná dle evropské směrnice 2011/83/EU. V zemích mimo EU platí příslušný minimální požadavky na záruku uplatňované v dané zemi. Toto se nevztahuje na baterie ani akumulátory, které se porouchaly, nebo u kterých se zkrátila životnost vlivem normálního, opotřebením či nevhodné manipulace.



Vyhraujeme si právo měnit technické a konstrukční specifikace v zájmu průběžného zdokonalování výrobku.
© Royal Appliance International GmbH

PŘEHLED SOUČÁSTÍ PŘÍSTROJE

obr. 1

- A. Madlo
- B. Nádoba na nečistoty
- C. Tlačítko pro vysypání nečistot
- D. Kryt filtru a filtr
- E. Západka nádoby na nečistoty
- F. Ukazatel stavu nabití akumulátoru
- G. Tlačítko posílení tahu
- H. Vypínač kartáče
- I. Vypínač přístroje
- J. Konektor pro nabíjení
- K. Sací trubice
- L. Poháněná hlavice
- M. Kartáč
- N. Nabíječka
- O. Nástěnný držák, 2 vruty a hmoždinky
- P. Držák pro šterbinovou hubici

Obsah obr. 2

- A. Šterbinová hubice
- B. Kartáč na prach

Vybalení a sestavení

1. Obsah balení vybalte a zkontrolujte, že je kompletní. (obr. 1 a 2).
2. Na ruční přístroj nasadte sací trubici a poháněnou hlavici. Při zapadnutí do správné polohy se ozve cvaknutí (obr. 3).
3. Na dolní část sací trubice upevněte držák na šterbinovou hubici a a hubici do něj zasuňte (obr. 4).

Upevnění nástěnného držáku

1. Na od přístroje odpojenou sací trubici s poháněnou hlavici v horní části zezadu přitlakem nasadte nástěnný držák. (obr. 5/1).
2. Vyberte si místo, kde chcete tyčový vysavač skladovat, nejlépe poblíž elektrické zásuvky, avšak ne přímo nad nebo pod ní. Sací trubici s

poháněnou hlavici postavte vedle zdi, přičemž zkontrolujte, zda hlavice na podlahu dosedá rovně.

3. Nástěnný držák pevně přitlačte ke zdi a tužkou si vyznačte polohu pro oba vruty. (obr. 5/2)

Vruty a hmoždinkami nástěnný držák upevněte ke zdi.

4. Na nástěnný držák lze uchytit kabel nabíječky a kartáč na prach (obr. 6).

5. Sestavte celý tyčový vysavač a pro uskladnění jej silným přitlakem zatlačte do nástěnného držáku. Vždy se ujistěte, že je vysavač na svém místě dobře zajištěn.

Nabíjení tyčového vysavače

POZNÁMKA První nabíjení trvá 4 hodiny a přístroj je před prvním použitím nutno nabít. Pokud akumulátor před prvním použitím nenabijete, bude to mít nežádoucí vliv na výkonnost akumulátor. Životnost akumulátoru se liší podle způsobu používání vysavače.

1. Chcete-li vysavač dobít, bezpečně jej uchyťte na nástěnný držák. Nabíjet jej lze i neuchycený; od vysavače odpojte sací trubici a nástavce a položte jej na stabilní, rovný povrch.
2. Kabel nabíječky připojte k nabíjecímu konektoru (obr. 1/J), který se nachází na madle přístroje, a nabíječku zapojte do sítě.
3. Kontrolky ukazatele stavu nabití akumulátoru se během nabíjení postupně rozsvěcují, až nakonec svítí všechny čtyři (obr. 7/1 a 7/2) Jakmile je akumulátor plně nabitý, kontrolky zhasnou. Při prvním nabíjení je jeho počáteční doba 4 hodiny.
4. Když je vysavač používán, kontrolky ukazatele stavu nabití svítí a ukazují, kolik energie v

akumulátoru ještě zbývá. Když stav dosáhne 20 %, dolní kontrolka se červeně rozbliká, čímž indikuje, že je akumulátor téměř vybitý a je jej potřeba dobít (obr. 7/3).

Používání tyčového vysavače



VÝSTRAHA: Kartáč v poháněné hlavici se po zapnutí nepřetržitě točí.

Nikdy poháněnou kartáčovou hlavici na jednom místě nepoužívejte delší chvíli, neboť by kartáč mohl poškodit povrch podlahy. Při vysávání hladkých podlah mějte poháněnou kartáčovou hlavici vždy vypnutou. Abyste předešli poškození, nejprve kartáč otestujte na nenápadném místě podlahy.



POZOR: V případě, že se kartáč v poháněné hlavici zadře o zaklíněné nečistoty, může se aktivovat ochranné čidlo motoru. Kartáč se zastaví a na poháněné hlavici se rozsvítí červená kontrolka (obr. 18). Aby se spínač čidla vrátil do výchozí polohy, je nutno přístroj vypnout, hlavici sejmout ze sací trubice/přístroje a odstraňte případné blokující předměty. Před opětovným nasazením poháněné hlavice sečkejte 1 minutu, posléze tyčový vysavač zapněte a stiskněte vypínač kartáče.

1. Přišlápněte poháněnou hlavici (obr. 8/1) a za madlo zatáhněte směrem dozadu, aby se hlavice odklonila (obr. 8/2).
2. Vysavač zapněte stisknutím vypínače na madle. (obr. 9/1) Vypínač a ukazatel stavu nabití na madle se rozsvítí (obr. 7/2).
3. Pro zvýšení sacího výkonu lze u zvláště znečištěných míst, která vyžadují důkladnější vyčištění, použít tlačítko posílení tahu (obr. 9/3).

4. Pro zapnutí kartáčování stiskněte vypínač kartáče (obr. 9/2). Když je kartáčování zapnuté, svítí kontrolka poháněné hlavice a kontrolka zapnutí kartáčování a kartáč se nepřetržitě točí. Pro vypnutí kartáčování tlačítko ZAP.VYP. kartáče stiskněte znovu.

POZNÁMKA: Kartáč poháněné kartáčové hlavice by měl být pro koberce ZAPNUTÝ a pro hladké podlahy VYPNUTÝ. Je-li režim posíleného tahu nepřetržitě zapnutý, zkrátí se tím výdrž akumulátoru.

5. Příslušenství včetně poháněné hlavice lze připojit přímo k vysavači (obr. 10) nebo k sací trubici. Štěrbínovou hlavici a prachový kartáč lze používat na obtížně dostupná místa a v různých výškách při čištění povrchů nad podlahou.

ÚDRŽBA TYČOVÉHO VYSAVAČE



VÝSTRAHA: Než se pustíte do řešení problémů nebo do údržby, přístroj vždy vypněte a odpojte ze sítě.

Odpojování a připojování nádoby na nečistoty

1. Zatlačte na uvolňovací západku na nádobě na nečistoty (obr. 11/1) a nádoba se uvolní. Nádobu nakloňte a odejměte ji z vysavače (obr. 11/2).
2. Když chcete nádobu znovu připojit, nejprve

POZNÁMKA: v případě, že jste kryt a separátor z nádoby na nečistoty kvůli čištění sňali, se při jejím opětovném nasazování na vysavač ujistěte, že jste je na nádobu opět nasadili a zajistili (obr. 13/1).

ji srovnejte s madlem. (obr. 12/1) Stiskněte uvolňovací západku a nádobě (obr. 12/2) a nádobu na nečistoty zasuňte do vysavače.

Uvolněte západku, čímž se nádoba na nečistoty zajistí na svém místě.


3. Nádoba je upevněna správně, když jsou všechny 3 styčné body na svém místě a doléhají (obr. 13).

Vyprazdňování nádoby na nečistoty

1. Zatlačte na uvolňovací západku na nádobě na nečistoty (obr. 11/1) a nádoba se uvolní. Nádobu nakloňte a odejměte ji z vysavače (obr. 11/2).

2. Nádobu podržte nad odpadkovým košem nebo popelnicí, stiskněte tlačítko pro vysypání nečistot a obsah nádoby vysypte. (obr. 14/1 & 2).

3. Nádobu uzavřete přitlačením víka, dokud nezacvakne. (obr. 14/3).

 **POZOR:** Aby se předešlo přerušení proudění vzduchu skrze nádobu na nečistoty, nikdy ji nenechte přeplnit. Nejlepších výsledků vysávání dosáhnete, když nádobu na nečistoty vyprázdníte po každém použití. Po každých 4-6 použitích je filtry nutno oklepat od nečistot a každé 3 měsíce je třeba je umýt. Filtry je, v závislosti na míře používání, třeba každých 6-9 měsíců vyměnit.

Čištění filtru a separátoru

1. Vysypte nádobu na nečistoty (obr. 14).

2. Nadzvedněte západku na víku nádoby na nečistoty (obr. 15/1, 2). Kryt filtru spolu se separátorem vyjměte z nádoby na nečistoty (obr. 15/3).

3. Na separátor poklepejte nad odpadkovým košem, aby se z něj uvolnily nečistoty a ulpělé předměty a kovou clonu otřete suchou utěrkou (obr. 16/1).

4. ažením za proužek na filtru filtr vyjměte ze separátoru (obr. 16/2). Filtr oklepte o odpadkový koš, aby z něj opadaly případné ulpělé nečistoty a předměty (obr. 16/3).

5. Filtr umyjte pod tekoucí vodou (max. 40 °C) (obr. 17). Než filtr vrátíte do nádoby, nechte jej minimálně 24 hodin osychat, dokud není zcela suchý.

Čištění a výměna kartáče poháněné kartáčové hlavice

1. Pomocí mince zatlačte pojistku kartáče a otočte jí proti směru hodinových ručiček, čímž se kartáč uvolní (obr. 19/1).

2. Kartáč vyjměte z hlavice (obr. 20/1).

3. Pro odstranění zamotaných vlasů vsuňte do žlábků čepel nůžek a řežte podél žlábků. Odstraňte veškeré nečistoty/předměty ulpělé na koncových krytkách a uvnitř poháněné hlavice (obr. 21).

4. Kartáč opět zasuněte do hlavice (obr. 20/2) a pojistkou kartáče otočte ve směru hodinových ručiček, čímž se kartáč zajistí (obr. 19/2).

Demontáž a výměna řemínku poháněné kartáčové hlavice

1. Pomocí křížového šroubováku odšroubujte 3 šroubky a sejměte kryt (obr. 22/1).

2. Je-li řemínek přetržený, odstraňte jej a z kolečka očistěte od případných nečistot. Nový řemínek nejprve navlékněte na malé kolečko. Poté řemínek natáhněte k vršku velkého kolečka a kolečkem i řemínkem otáčejte proti směru hodinových ručiček. Otáčením se řemínek navlékne i na velké kolečko (obr. 22/2).

3. Opět nasadte kryt řemínku a zajistěte jej šroubky.

Kontrola průchodnosti

1. Stiskněte tlačítko uvolňovací západky na vysavači a odejměte sací trubici. Zkontrolujte přípojku a vstupní otvor nádoby na nečistoty, zda nejsou ucpané a případné nečistoty a předměty odstraňte. (obr. **23**/1).
2. Zkontrolujte, zda není ucpaná poháněná hlavice a k odstranění blokujících nečistot a předmětů použijte tupý nástroj. (obr. **23**/2).
3. Pro kontrolu, zda není ucpaná sací trubice, do této vhodte malou papírovou kuličku. Pokud je trubice volná, papír skrze ni propadne. Je-li trubice ucpaná, pro její uvolnění použijte násadu smetáku nebo podobný tupý předmět (obr. **23**/3).

PŘÍSLUŠENSTVÍ A NÁHRADNÍ DÍLY

Navštivte nás na internetu na:

www.dirtdevil.de

Na našem webu najdete velký výběr náhradních dílů a příslušenství a také praktické tipy a triky k vašemu výrobku Dirt Devil.

ŘEŠENÍ PROBLÉMŮ

Chybí některá součást příslušenství

Zkontrolujte obsah balení (obr. 2).

Proč není přístroj pod proudem?

■ Vysavač může vyžadovat dobítí.

Viz **Nabíjení tyčového vysavače.**

■ Mohlo dojít k vypnutí termostatu motoru. Vyprázdňte nádobu na nečistoty a prověřte, zda není vysavač někde ucpaný. Vyčistěte filtry a nechte vysavač zhruba na 1 hodinu vychladnout. Pokud jste myli filtry, než je opět vložíte do vysavače, počkejte 24 hodin, než zcela vyschnou.

Proč tyčový vysavač nevysává?

■ Je možné, že nádoba na nečistoty není správně uchycena. Viz **Odpojování a připojování nádoby na nečistoty.**

■ Nádoba na nečistoty může být ucpaná. Zkontrolujte nádobu na nečistoty a otvor sání vysavače, zda nejsou ucpané. Viz **Vyprazdňování nádoby na nečistoty.**

■ Filtry mohou být zanesené. Viz **Čištění filtru a separátoru.**

■ Vysavač může být někde ucpaný. Viz **Kontrola průchodnosti.**

■ Kartáč v poháněné hlavici se nespustil. Viz **Používání tyčového vysavače.**

■ Kartáč poháněné kartáčové hlavice může být zablokovaný. Viz **Čištění a výměna kartáče poháněné kartáčové hlavice.**

■ Poháněná kartáčová hlavice a sací trubice možná nejsou nasazeny správně. Viz **Vybalení a sestavení.**

Proč na přístroji svítí červená kontrolka?

■ Stav nabití akumulátoru je nízký (< 20%). Viz **Nabíjení tyčového vysavače.**

Proč na poháněné hlavici svítí červená kontrolka?

■ Je zablokován kartáč poháněné kartáčové hlavice. Viz **Čištění a výměna kartáče poháněné kartáčové hlavice.**

Proč se kartáč v kartáčové hlavici netočí?

■ Kartáč v poháněné hlavici se nespustil. Viz **Používání tyčového vysavače.**

■ Nástavec/kartáč může být zablokovaný. Viz **Čištění a výměna kartáče poháněné kartáčové hlavice.**

■ Poháněná kartáčová hlavice a sací trubice možná nejsou nasazeny správně. Viz **Vybalení a sestavení.**

■ Možná je přetržený řemínek pohonu hlavice. Viz **Demontáž a výměna řemínku poháněné kartáčové hlavice.**

Než se spojíte se zákaznickým oddělením značky Dirt Devil nebo přístroj zákaznickému oddělení značky Dirt Devil zašlete, projděte si množství dalších informací v sekci podpory našich internetových stránek, které vám mohou pomoci problém vyřešit.

www.dirtdevil.de/service

BIZTONSÁGI ISMERETEK

Tudnivalók a használati útmutatóról

A gép használata előtt olvassa végig a jelen használati útmutatót. Tájékozódási célból őrizze is meg. Amennyiben harmadik félnek adja át a gépet, ahhoz a felhasználói útmutatót is mellékelnie kell.

A felhasználói útmutatóban szereplő előírások betartásának mellőzése súlyos személyi sérüléshez vagy a gép károsodásához vezethet. A felhasználói útmutató betartásának mellőzése eredményeként okozott károkért nem vállalunk felelősséget. A fejezetben nem szereplő fontos információkat a következők jelzik:



VIGYÁZAT: Egészséget érintő veszélyekre figyelmeztet, valamint meghatározza a személyi sérülést okozó lehetséges kockázatokat.



FIGYELEM: A gépet vagy más tárgyakat érintő lehetséges veszélyeket azonosít.

MEGJEGYZÉS A tippekre és információkra hívja fel a figyelmet.

Általános használat

Ez az álló porszívó csak háztartási használatra alkalmas, kereskedelmi vagy ipari célra NEM.

- Az álló porszívó csak beltéri, száraz felületeken történő használatra alkalmas, és a tisztítandó területet jól meg kell világítani.
- Ne szedjen fel kemény vagy éles tárgyakat, például üveget, szöveget, csavart, aprópénzt stb.
- Ne porszívózzon fel forró szenet, cigarettacsikket, gyufát, illetve égő vagy füstölő dolgokat.
- Ne használja a gépet nedves területen, vagy ahol veszélyes anyagok (klóros, hipós tisztítószeresek és ammóniás lefolyótisztító) lehetnek jelen.
- Ne kísérelje meg éles tárgyakkal eltávolítani az eltömődéseket, mivel megsérülhet miatta az álló porszívó.

- Kizárólag a Dirt Devil által ajánlott töltő, eszközök és tartozékok használhatók az álló porszívóhoz, továbbá a használat előtt mindig ellenőrizze, hogy a padlótisztító fej és a tartozékok sérülésektől, szennyeződéstől és törmelékektől mentesek legyenek.

- A karbantartási munkálatok elvégzése előtt mindig kapcsolja ki és válassza le az álló porszívót a töltőről. A szükséges óvintézkedések áttekintéséért lásd a felhasználói útmutató megfelelő szakaszát.

- Az álló porszívó használata előtt mindig győződjön meg a leválasztó és a szűrők megfelelő behelyezéséről.

- Tartsa tisztán és szennyeződésmentesen az összes nyílást, mivel az hatással lehet a légáramlásra/szívóteljesítményre.

- Különösen ügyeljen, ha lépcsőn használja az álló porszívót.



VIGYÁZAT: Mindig kapcsolja ki és válassza le az álló porszívót a töltőről, illetve a hálózati tápellátásról, mielőtt bármilyen karbantartásba vagy hibaelhárításba fogna.



FIGYELEM: Az álló porszívón belüli légáramlás elzárásának elkerüléséért ne töltse túl a portartályt. A legjobb tisztítási eredmények érdekében minden használat után ürítse ki a portartályt. A szűrőket 4–6 használati alkalom után rázza ki a szemetes fölött, hogy eltávolítsa belőlük a szennyeződést és a törmelékot, 3 havonta pedig mossa is meg őket. A használat gyakoriságától függően a szűrőket 6–9 havonta kell cserélni.

Biztonságos használat

- 8 év feletti gyermekek, valamint csökkent fizikai, érzékelési vagy mentális képességű személyek, illetve tapasztalattal vagy szakértelemmel nem rendelkezők csak felügyelet mellett használhatják az álló porszívót, vagy

akkor, ha ellátták őket az álló porszívó biztonságos használatára vonatkozó utasításokkal, és megismerték a használatból eredő veszélyeket. Ne engedje, hogy gyermekek játsszanak az álló porszívóval. A tisztítást és a felhasználó által végrehajtott karbantartási feladatokat nem végezheti felügyelet nélküli gyermek.

■ Az álló porszívó használata közben tartsa távol a mozgó alkatrészekről és a nyílásoktól az ujjait, haját és laza ruházatát.

■ Ne használja az álló porszívót, miután elejtették, megsérült, vízbe merült vagy kint hagyták a szabadban.

■ Ne fogja meg a töltő csatlakozódugóját és ne használja az álló porszívót nedves kézzel.

■ Ne használja az álló porszívó töltőjét, ha a töltő kábele vagy csatlakozódugója megsérült.

■ Ne húzza ki az álló porszívót a töltő kábelénél fogva.

Tápellátás

■ Ne töltsen az álló porszívót a szabadban, illetve ne hagyja a töltőt a hálózati tápellátáshoz csatlakoztatva, ha nem használja az álló porszívót.

■ Ne használja az álló porszívót nem megfelelő töltővel, mivel az károsíthatja az eszközt, illetve a felhasználó sérülését okozhatja. A megfelelő töltőre vonatkozó információk az adattáblán találhatóak.

■ Mindig az álló porszívóhoz mellékelt töltőt használja. Ha hosszabbító igénybevételével tölti az álló porszívót, csak CE-jóváhagyással rendelkező 13 amperes hosszabbítókábeleket használjon, a jóváhagyással nem rendelkező kábelek túlmelegedhetnek. A hosszabbítókábelek elhelyezésekor ügyelni kell, mivel el lehet bennük botlani.

Kefesor



VIGYÁZAT: Az elektromos szívófejben található kefesor bekapcsolt állapotban folyamatosan forog. Sose használja az elektromos szívófejet egy adott helyen húzamosabb ideig, mivel a kefesor károsíthatja a padló felületét. Kemény padlófelületek tisztításakor mindig kapcsolja ki az elektromos szívófej kefesorát. Az elszennvedhető károk megelőzése érdekében először végezzen próbát a padlózat nem feltűnő területén.



FIGYELEM: Ha az elektromos szívófejben található kefesor eltömődik, előfordulhat, hogy működésbe lép a kefesor motorvédelmi érzékelője. Ekkor a kefesor leáll, az elektromos szívófejen lévő jelzőfény pedig pirosan világít. Helyreállításához kapcsolja ki a kefesort és az álló porszívót, távolítsa el a teleszkópos csőre/kézi egységre szerelt elektromos szívófejet, majd szüntesse meg a dugulást. Várjon 1 percet, mielőtt visszaszereli az elektromos szívófejegységet, majd kapcsolja be az álló porszívót, és nyomja meg a kefesor főkapcsoló gombját.

Tárolás

■ Tartsa az álló porszívót száraz, hűvös helyen. Ha a felhasználói útmutató szerint sor került a szűrők megtisztítására, ügyeljen arra, hogy a berendezés tárolása előtt azok teljesen megszáradjanak. Ez az álló porszívó folyamatos támasztás nélkül nem marad álló helyzetben. A használati alkalmak között egy megfelelő helyen fektesse vízszintesen a padlóra, úgy, hogy ne okozzon botlásveszélyt, és ne is léphessenek rá.

Az akkumulátor és annak ártalmatlanítása



FIGYELEM: Helytelen kezelés esetén a készülékben használt akkumulátor tűz- vagy kémiai égésveszélyt jelenthet.

Ne szerelje szét, ne hevítse a gyártó által megadott maximális korlátnál (60 °C/140 °F) magasabb hőmérsékletre, illetve ne égesse el. Más akkumulátor használata tűz- vagy robbanásveszélyt okozhat.

■ Az ártalmatlanítása előtt az akkumulátort el kell távolítani a berendezésből, majd gondoskodni kell az akkumulátor biztonságos és haladéktalan ártalmatlanításáról. Tartsa gyermekektől távol. Az ártalmatlanítás előtt a rövidre zárás megakadályozása érdekében erős szigetelőszalaggal ragassza le az akkumulátor szabadon álló kivezetéseit. Az akkumulátort biztonságos módon, a helyi akkumulátor-újrahasznosítási központban kell ártalmatlanítani.

■ Ne próbálja szétszerelni, a kivezetéseiből kiálló részegységeket eltávolítani, és ártalmatlanítás céljából tűzbe dobni az akkumulátort. Az akkumulátorban és a töltőben nincsenek felhasználó által szervizelhető alkatrészek. Ez tüzet vagy személyi sérülést okozhat.

■ Használat előtt, illetve az ártalmatlanítást megelőzően az akkumulátor eltávolításakor a berendezést le kell választani a hálózati tápellátásról. Abban az esetben, ha az akkumulátor szivárogna, kerülje a bőrrel való érintkezést és hívja a következő számot: +800 2672 6677.

KÉRJÜK, ŐRIZZE MEG A HASZNÁLATI ÚTMUTATÓT A KÉSŐBBI TÁJÉKOZÓDÁSHOZ

Köszönjük!

Örömmel szolgál, hogy egy Dirt Devil-termék megvásárlása mellett döntött. Reméljük, hogy kedvét leli majd a berendezés használatában, és ezúton köszönjük meg Önnek a vásárlást. A termékkel kapcsolatban ebben a használati utasításban és webhelyünkön (www.dirtdevil.de) kaphat további tájékoztatást. Ha kapcsolatba kíván lépni a Dirt Devil szerviz részlegével, az elérhetőségi adatokat a 2. Oldalon találja.

Műszaki adatok

Berendezés típusa	Vezeték nélküli porszívó
Modell	DD778, DD778 (-0/.../-9)
Újratölthető akkumulátor	Lítiumion (Li-ion), 32 V
Max. működési időtartam	Kb. 45 perc
Max. töltési időtartam	Kb. 4 óra
Hálózati adapter	Bemenet: 100–240 V ~, 1 A Kimenet: 34 V, 600 mA
Porgyűjtő kapacitása	0,3 l max. feltöltés, 0,6 l max. kapacitás
Teljesítményfelvétel	234 W
Tömeg	3,1 kg

Környezetvédelem és ártalmatlanítás

Ha ártalmatlanítani kívánja a berendezést, távolítsa el az újratölthető akkumulátort, majd külön-külön gondoskodjék az újratölthető akkumulátor és a berendezés ártalmatlanításáról.



Ne dobja a berendezést, az újratölthető akkumulátort vagy a hálózati adaptert a háztartási hulladékba.



A berendezés, az újratölthető akkumulátor és a hálózati adapter ártalmatlanításáról külön-külön gondoskodjék a megfelelő gyűjtőpontokon.

Li-ion

Garancia

Ha fogyasztóként az Európai Unió területén vásárolta meg a berendezést, a minimális garancianorma tekintetében az EU 2011/83/EU számú irányelvét megvalósító megfelelő nemzeti jogszabály az irányadó. Az Európai Unió kívüli országokban az adott helyen fennálló minimális garanciális követelmények érvényesek. Ez nem vonatkozik a meghibásodott, illetve a szokásos mértékű elhasználódás vagy nem megfelelő kezelés eredményeként csökkenő élettartammal rendelkező akkumulátorokra vagy újratölthető akkumulátorokra.



Fenntartjuk a jogot arra, hogy a folyamatos termékfejlesztés érdekében változtatásokat eszközöljünk a műszaki és tervezési adatokban.

© Royal Appliance International GmbH

ISMERKEDÉS A GÉPPEL

Ábra: 1.

- A. Hordfogatnyú
- B. Portartály
- C. Porleengedő gomb
- D. Szűrőburkolat és szűrő
- E. Portartály kioldóretesze
- F. Az akkumulátortöltöttségi szint jelzőfénye
- G. Turbó gomb
- H. A kefesor főkapcsoló gombja
- I. Főkapcsoló gomb
- J. Töltőcsatlakozó
- K. Teleszkópos cső
- L. Elektromos szívófej
- M. Kefesor
- N. Töltőegység
- O. Fali tartó, 2 csavar és tiplik
- P. A réstisztító szívófej tárolófoglalata

Tartozékok – ábra: 2.

- A. Réstisztító szívófej
- B. Porolókefe

Kicsomagolás és összeszerelés

1. Csomagolja ki a doboz tartalmát, és ellenőrizze annak teljességét. (Ábra: 1. és 2.).
2. Csatlakoztassa a teleszkópos csövet és az elektromos szívófejet a kézi egységhez. Ha a helyükre kerültek, kattánót fog hallani (ábra: 3.).
3. Nyomja rá a réstisztító szívófej tárolófoglalatát a teleszkópos cső alsó részére, majd csúsztassa a szívófejet a helyére (ábra: 4.).

A fali tartó felszerelése

1. A teleszkópos csőhöz és az elektromos szívófejhez csatlakoztatott kézi egység nélkül nyomja rá hátulról a fali konzolt a teleszkópos cső felső részére. (Ábra: 5./1.)
2. Válassza ki azt a helyet, ahol tárolni fogja az álló porszívót, lehetőleg egy hálózati csatlakozóaljzat közelében, azonban nem közvetlenül az aljzat fölött vagy alatt. Állítsa az álló porszívó elektromos

szívófejét és csövet a falhoz, ügyelve arra, hogy az elektromos szívófej vízszintesen álljon a padlón.

3. Tartsa a fali konzolt erősen a falhoz, majd ceruzával jelölje be halványan a két csavar helyét. (Ábra: 5./2.) A csavarok és tiplik segítségével rögzítse a fali konzolt a falhoz.
4. A töltőkábel és a porolókefe a fali konzolhoz rögzíthető (ábra: 6.).
5. Szerelje össze teljesen az álló porszívót, majd határozottan nyomja a fali konzolba, hogy stabilan álljon. Mindig ügyeljen arra, hogy az álló porszívó biztosan a helyére kerüljön.

Az álló porszívó feltöltése

MEGJEGYZÉS A kezdeti feltöltés 4 órát vesz igénybe, és az első használat előtt végre kell hajtani. Ha az első használat előtt elmulasztja teljesen feltölteni az akkumulátort, előfordulhat, hogy az akkumulátor teljesítménye nem lesz kielégítő. Az akkumulátor várható élettartama az álló porszívó használatától függően változó lehet.

1. Feltöltéséhez csatlakoztassa stabilan az álló porszívót a fali konzolhoz. A porszívót kézi egységként is feltöltheti: ehhez válassza le az álló porszívót a teleszkópos csőről és eszközökről, majd helyezze vízszintes, stabil felületre.
2. Illessze a töltő kimenetét a kézi egység hordfogatnyúján található töltőcsatlakozóba (ábra: 1./1.), majd helyezze be a töltő csatlakozódugóját a hálózati aljzatba.
3. Az akkumulátortöltöttségi szint jelzőfényei a töltés folyamán egészen addig világítani fognak, amíg mind a négy jelzőfény ki nem gyullad (ábra: 7./1. és 7./2.) A teljes feltöltöttség elérésekor a jelzőfények kialszanak. Ha első alkalommal végez töltést, a kezdeti töltés időtartam 4 óra lesz.
4. Az álló porszívó használata közben az akkumulátortöltöttségi szint jelzőfényei világítanak, jelezve, hogy milyen szintű a berendezés elérhető

töltöttsége. Ha az elérhető töltöttség 20%-nál kevesebb, az alsó jelzőfény pirosan villog, jelezve az akkumulátor alacsonyra váló töltöttségi szintjét, valamint a feltöltés szükségességét (ábra: 7./3.).

Az álló porszívó használata



VIGYÁZAT: Az elektromos szívófejben található kefesor bekapcsolt állapotban folyamatosan forog. Sose használja az elektromos szívófejet egy adott helyen huzamosabb ideig, mivel a kefesor károsíthatja a padló felületét. Kemény padlófelületek tisztításakor mindig kapcsolja ki az elektromos szívófej kefesorát. Az elszennvedhető károk megelőzése érdekében először végezzen próbát a padlózaton nem feltűnő területén.



FIGYELEM: Ha az elektromos szívófejben található kefesor eltömődik, előfordulhat, hogy működésbe lép a kefesor motorvédelmi érzékelője. Ekkor a kefesor leáll, az elektromos szívófejen lévő jelzőfény pedig pirosan világít (ábra: 18.). Helyreállításához kapcsolja ki a kefesort és az álló porszívót, távolítsa el a teleszkópos csőre/kézi egységre szerelt elektromos szívófejet, majd szüntesse meg a dugulást. Várjon 1 percet, mielőtt visszaszereli az elektromos szívófejegységet, majd kapcsolja be az álló porszívót, és nyomja meg a kefesor főkapcsoló gombját.

1. Helyezze a lábát az elektromos szívófejre (ábra: 8./1.), majd az álló porszívó megdöntéséhez húzza hátra a fogantyút (ábra: 8./2.).

2. Az álló porszívó bekapcsolásához nyomja meg a fogantyún található főkapcsoló gombot. (Ábra: 9./1.) A fogantyún lévő főkapcsoló gomb és az akkumulátortöltöttségi szint jelzőfényei világítani kezdenek (ábra: 7./2.).

3. Ha a további tisztítást igénylő, különösen szennyezett területeken növelni kívánja a szívóerőt, aktiválhatja a turbó üzemmódot (ábra: 9./3.).

4. A kefesor bekapcsolásához nyomja meg annak főkapcsoló gombját (ábra: 9./2.). Ha a kefesor be van kapcsolva, az elektromos szívófej és a kefesor főkapcsolójának jelzőfénye világít, a kefesor pedig folyamatosan forog. Kikapcsolásához nyomja meg újra a kefesor főkapcsoló gombját.

MEGJEGYZÉS: Az elektromos szívófej kefesorának szőnyegek esetén BE-, kemény padlófelületek esetén pedig KIKAPCSOLT állapotban kell lennie. A turbó üzemmód és a kefesor folyamatos használata csökkenteni fogja az akkumulátor üzemidejét.

5. A tartozékok mindegyike – az elektromos szívófejet is beleértve – közvetlenül is csatlakoztatható a kézi egységhez (ábra: 10.) vagy a teleszkópos csőhöz. A réstisztító szívófej és a porolókefe nehezen hozzáférhető területekhez és az eltérő magasságú helyek padlóról végzett takarításához alkalmazható.

AZ ÁLLÓ PORSZÍVÓ KARBANTARTÁSA



VIGYÁZAT: Mindig kapcsolja ki és válassza le az álló porszívót a töltőről, illetve a hálózati tápellátásról, mielőtt bármilyen karbantartásba vagy hibaelhárításba fogna.

A portartály eltávolítása és visszahelyezése

1. Kioldásához nyomja le a reteszt a portartályon (ábra: 11./1.), majd eltávolításához döntse meg és emelje ki a portartályt az álló porszívóból (ábra: 11./2.).

MEGJEGYZÉS: A visszaszerelés előtt – ha a leválasztót tartalmazó tartály fedelét tisztítás céljából levette – ügyeljen arra, hogy visszaillesse a leválasztót, és a fedél is a helyére kerüljön (ábra: 13./1.).

2. Visszahelyezéséhez igazítsa a portartály csatlakozását az álló porszívó kézi egységéhez. (Ábra: 12./1.) Nyomja meg a portartály

kioldóreteszét (ábra: **12.**/2.), majd tolja a portartályt az álló porszívóba. Reteszének felengedésével rögzítse a helyére a portartályt.

3. Megfelelő behelyezés esetén mindhárom csatlakozási pont kölcsönösen a helyére és szintbe kerül (ábra: **13.**).

A portartály kiürítése

1. Kioldásához nyomja le a reteszt a portartályon (ábra: **11.**/1.), majd eltávolításához döntse meg és emelje ki a portartályt az álló porszívóból (ábra: **11.**/2.).

2. Tartsa a portartályt a szemetes fölé, majd a porleengedő gomb megnyomásával hagyja kihullani a tartályból a szennyeződést és törmelékét. (Ábra: **14.**/1. és 2.).

3. Lezárásához nyomja a helyére a porleengedő ajtót. (ábra: **14.**/3.).



FIGYELEM: Az álló porszívón belüli légáramlás elzárásának elkerüléseért ne töltse túl a portartályt. A legjobb tisztítási eredmények érdekében minden használat után ürítse ki a portartályt. A szűrőket 4–6 használati alkalom után rúzza ki a szemetes fölé, hogy eltávolítsa belőlük a szennyeződést és a törmelékét, 3 havonta pedig mossa is meg őket. A használat gyakoriságától függően a szűrőket 6–9 havonta kell cserélni.

A szűrő és a leválasztó megtisztítása

1. Ürítse ki a portartályt (ábra: **14.**).

2. Emelje fel a portartály fedelén lévő fület (ábra: **15.**/1. és 2.). Emelje ki a szűrő burkolatát és a leválasztót a portartályból (ábra: **15.**/3.).

3. Ütögesse meg a leválasztót a szemetes fölé, hogy eltávolítsa belőle a szennyeződést és a törmelékét, majd száraz ruhával törölje át a fémvázat (ábra: **16.**/1.).

4. Vegye ki a szűrőt leválasztóból az azon található fül meghúzásával (ábra: **16.**/2.). A szűrőt a szemeteshez ütögetve távolítsa el a szennyeződést és a törmelékét (ábra: **16.**/3.).

5. Folyó víz alatt mossa el a szűrőt (legfeljebb 40 °C-on) (ábra: **17.**). Mielőtt kicseréli, várjon legalább 24 órát, illetve várja meg, amíg teljesen megszárad.

Az elektromos szívófej kefesorának megtisztítása és cseréje

1. A kefesor kioldásához egy pénzérme segítségével nyomja meg és fordítsa el a kefesor reteszét az óramutató járásával ellentétes irányban (ábra: **19.**/1.).

2. Húzza ki a kefesort a foglatából (ábra: **20.**/1.).

3. Az esetleges szövet- és hajszálak eltávolításához csúsztassa az olló egyik szarát a kefesor vátatába, majd annak mentén vágja el a szálakat. Tisztítsa ki a szennyeződést/törmelékét a zárósapkákból és az elektromos szívófej burkolatából (ábra: **21.**).

4. Helyezze vissza a kefesort (ábra: **20.**/2.), majd a rögzítéséhez fordítsa el a reteszét az óramutató járásával egyező irányban (ábra: **19.**/2.).

Az elektromos szívófej hajtósíjának eltávolítása és cseréje

1. Kereszthornyú csavarhúzó segítségével oldja ki a 3 csavart, majd vegye le a burkolatot (ábra: **22.**/1.).

2. Ha a hajtósíj tönkrement, vegye ki a régi síjat, és tisztítsa ki a törmelékét a fogak közül. A hajtósíj cseréjéhez először emelje át a síjat a kis fogaskeréken. Csúsztassa át a hajtósíjat a nagy fogaskerék tetején, majd forgassa el a síjat és a kereket az óramutató járásával ellentétes irányban. Forgás közben a hajtósíj rácsúszik a fogakra (ábra: **22.**/2.).

3. Helyezze vissza a hajtósíj burkolatát, majd hajtssa be a csavarokat a burkolat rögzítéséhez.

Eltömődések ellenőrzése

1. Nyomja meg a kézi egység kioldógombját, majd távolítsa el a teleszkópos csövet. Vizsgálja meg és tisztítsa ki az esetleges szennyeződések és törmelék a kézi egység csatlakozási pontjából és a tartály bemenetéből. (Ábra: 23./1.)

2. Ellenőrizze az elektromos szívófej eltömődéseit, majd egy tompa tárggyal távolítsa el azokat. (Ábra: 23./2.)

3. A teleszkópos cső eltömődésének vizsgálatához ejtsen egy apró papírgalacsint a csőbe. Ha a cső tiszta, a galacsin kiesik a cső másik végén. Seprűnyéllel vagy más tompa eszközzel szüntesse meg az esetleges eltömődést (ábra: 23./3.).

TARTOZÉKOK ÉS PÓTALKATRÉSZEK

Látogassa meg a weboldalunkat az alábbi helyen:

www.dirtdevil.de

A weboldalunkon nagy választékot talál pótalkatrészekből és tartozékokból valamint gyakorlati ötleteket és trükköket az Ön Dirt-Devil termékéhez.

HIBAELHÁRÍTÁS

Hiányzik valamilyen tartozék

Ellenőrizze a doboz tartalmát (ábra: **2.**).

Miért nincs áramellátása az álló porszívónak?

■ Előfordulhat, hogy az álló porszívó újratöltést igényel. Lapozzon ide: **Az álló porszívó feltöltése.**

■ Kioldhatott a motor termosztátja. Ürítse ki a portartályt, és vizsgálja meg az eltömődéseket. Tisztítsa meg a szűrőket, majd hagyja, hogy körülbelül 1 óra alatt az álló porszívó lehűljön. Ha megmosta a szűrőket, teljes száradásukig várjon 24 órát, mielőtt visszahelyezné azokat az álló porszívóba.

Miért nem szív az álló porszívó?

■ Lehetséges, hogy a portartály nincs megfelelően behelyezve. Lapozzon ide:

A portartály eltávolítása és visszahelyezése.

■ Előfordulhat, hogy a portartály eltömődött. Vizsgálja meg a portartály és a kézi egység bemenetének eltömődéseit. Lapozzon ide:

A portartály kiürítése.

■ Előfordulhat, hogy eltömődtek a szűrők.

Lapozzon ide: **A szűrő és a leválasztó megtisztítása.**

■ Elakadás állhat fenn. Lapozzon ide:

Eltömődések ellenőrzése.

■ Az elektromos szívófejben található kefesor nem kapcsolódik be. Lapozzon ide: **Az álló porszívó használata.**

■ Előfordulhat, hogy az elektromos szívófej eltömődött. Lapozzon ide: **Az elektromos szívófej kefesorának megtisztítása és cseréje.**

■ Lehetséges, hogy az álló porszívó, az elektromos szívófej és a teleszkópos cső nincs megfelelően összeszerelve. Lapozzon ide:

Kicsomagolás és összeszerelés.

Miért világít a piros fény az egységen?

■ Az akkumulátor töltöttségi szintje alacsonyra (<20%) válik. Lapozzon ide: **Az álló porszívó feltöltése.**

Miért világít a piros fény az elektromos szívófejen?

■ Az elektromos szívófej kefesora eltömődött. Lapozzon ide: **Az elektromos szívófej kefesorának megtisztítása és cseréje.**

Miért nem forog az elektromos szívófej?

■ Az elektromos szívófejben található kefesor nem kapcsolódik be. Lapozzon ide: **Az álló porszívó használata.**

■ Lehet, hogy az eszköz/kefesor eltömődött. Lapozzon ide: **Az elektromos szívófej kefesorának megtisztítása és cseréje.**

■ Lehetséges, hogy az álló porszívó, az elektromos szívófej és a teleszkópos cső nincs megfelelően összeszerelve. Lapozzon ide:

Kicsomagolás és összeszerelés.

■ Tönkremehetett az eszköz hajtószíja. Lapozzon ide: **Az elektromos szívófej hajtószíjának eltávolítása és cseréje.**

Mielőtt a Dirt Devil ügyfélszolgálati részlegéhez fordulna, vagy beküldené a berendezését a Dirt Devil ügyfélszolgálatának, rengeteg további információt talál webhelyünk szervizfelügyeleti területén, amely segíthet megoldani problémáit. www.dirtdevil.de/service

GÜVENLİK BİLGİLERİ

Bu kullanıcı kılavuzu hakkına

Makineyi kullanmaya başlamadan önce kullanıcı kılavuzunu tamamen okuyun. Bu kullanıcı kılavuzunu her zaman bulabileceğiniz bir yerde muhafaza edin. Makinenizi üçüncü taraflara vermeniz durumunda yanında bu kullanıcı kılavuzunu da vermeniz gerekir. Bu kullanıcı kılavuzuna uyulmaması durumunda ciddi yaralanmalar yaşanabilir veya cihaz zarar görebilir. Bu kullanıcı kılavuzuna uyulmaması sebebiyle meydana gelen zararlar için herhangi bir sorumluluk üstlenmeyiz. Bu bölümde yer almayan önemli bilgiler şunlardır:



Uyarı: Sağlığınız açısından söz konusu tehlikelere karşı uyarır ve olası yaralanma risklerine işaret eder.



DİKKAT: Makineye veya başka nesnelere yönelik olası tehlikelere dikkat çekerek.

NOT İpuçları ve bilgiler.

Genel kullanım

Bu dik süpürge ev içinde kullanılmak üzere tasarlanmış olup ticari veya endüstriyel kullanım için TASARLANMAMIŞTIR.

- Dik süpürgeyi yalnızca iç mekanlarda kuru yüzeylerde kullanın ve temizlediğiniz alanı iyi ışıktandırın.
- Cam, raptiyeler, vidalar, demir paralar gibi sert ve keskin maddeleri süpürgeyle çekmeyin.
- Sıcak kömür, sigara izmariti, kibrit gibi yanan veya tüten nesnelere süpürgeyle çekmeyin.
- Islak olan ya da zararlı sıvılar (klor, çamaşır suyu, amonyaklı lavabo açacağı) bulunan alanlarda kullanmayın.
- Dik süpürgenize zarar verebileceği için tıkanmış bölgeleri keskin objelerle açmaya çalışmayın.
- Bu dik süpürge ile sadece Dirt Devil tarafından önerilen şarj adaptörünü, araçları ve aksesuarları

kullanın ve kullanım öncesinde zemin başlığının ve aksesuarların hasarsız olduğunu kontrol edin, bunların tozdan ve pisliklerden arındırılmış olduğundan emin olun.

- Herhangi bir bakım işlemi gerçekleştirmeden önce dik süpürgeyi kapatın ve şarj adaptörünün fişini prizden çekin. Gerekli önlemleri gözden geçirmek için lütfen kullanıcı kılavuzundaki ilgili bölüme bakın.
- Dik süpürgenizi kullanmadan önce ayırıcı ve filtrelerin doğru takıldığından mutlaka emin olun.
- Hava çekişini/emme gücünü kötü etkileyebileceği için tüm açıklıkları temiz ve pisliklerden arındırılmış halde tutun.
- Dik süpürgeyi merdivenleri temizlemek için kullanırken ekstra özen gösterin.



Uyarı: Herhangi bir bakım veya sorun giderme işlemi yapmadan önce dik süpürgeyi her zaman kapatın ve şarj adaptörünü fişten çıkarın.



DİKKAT: Dik süpürgenin hava akışında herhangi bir tıkanma olmaması için toz bölmesinin aşırı dolmasına izin vermeyin. En iyi temizlik sonuçlarına ulaşmak için toz bölmesini her kullanımdan sonra temizleyin. Filtreler, her 4-6 kullanım sonrasında bir çöp kutusu üzerinde hafifçe vurularak üzerlerindeki kirlere ve pisliklere temizlenmeli ve her 3 ayda bir yıkanmalıdır. Filtreler, kullanım düzeyine göre her 6 ila 9 ayda bir değiştirilmelidir.

Güvenlik

- Bu dik süpürge, 8 yaş ve üstü kişiler tarafından kullanılabilir; fiziksel, duyu ve zihinsel yetenekleri azalmış olan ya da yeterli deneyim bilgisi bulunmayan bireylerin bu cihazı kullanabilmeleri için, dik süpürgenin güvenli kullanımı konusunda kendilerine denetim ve bilgilendirme yapılması ve kullanımından doğabilecek tehlikeleri anlamaları gerekmektedir.

Çocuklar bu dik süpürge ile oynamamalıdır. Temizlik ve kullanıcı bakımı, yetişkin gözetiminde olmayan çocuklara yaptırılmamalıdır.

■ Dik süpürgeyi kullanırken parmaklarınızı, saçlarınızı ve giysilerinizi hareket eden parça ve ağızlardan uzak tutun.

■ Düşmesi, hasar görmesi, suya girmesi veya dışarıda unutulması halinde dik süpürgeyi kullanmayın.

■ Şarj adaptörünü ıslak ellerle tutmayın, dik süpürgeyi elleriniz ıslakken kullanmayın.

■ Dik süpürgenin şarj adaptörünü, eğer şarj adaptörünün kablosu veya fişi hasar görmüşse kullanmayın.

■ Şarj adaptörünü fişten çekmek için elektrik kablosundan çekmeyin.

Güç kaynağı

■ Dik süpürgeyi dış mekanlarda şarj etmeyin ya da şarj adaptörünü kullanım dışında prize takılı halde bırakmayın.

■ Dik süpürgeyi başka bir şarj adaptörü ile kullanmayın; aksi halde süpürge hasar görebilir ya da kullanıcılar yaralanabilir. Doğru şarj adaptörü, derecelendirme etiketinde yer almaktadır.

■ Her zaman dik süpürge ile birlikte verilen şarj adaptörünü kullanın. Dik süpürgenin bir uzatma kablosu kullanılarak şarj edilmesi gerekiyorsa mutlaka CE onaylı 13 amper değerinde uzatma kabloları kullanın. Onaylı olmayan uzatma kabloları aşırı ısınabilir. Uzatma kablosu kullanımı sırasında takılma riskine karşı önlem alınmalıdır.

Fırça çubuğu



Uyarı: Açık durumda, güçlendirilmiş başlıktaki fırça çubuğu sürekli döner.

Güçlendirilmiş başlığı asla bir nokta üzerinde uzun süre kullanmayın. Aksi halde fırça çubuğu zemine zarar verebilir. Sert zeminleri temizlerken güçlendirilmiş başlık fırça çubuğunu her zaman kapatın. Zeminin zarar görmesini önlemek adına, önce göze çarpmayan bir kısımda test yapın.



DİKKAT: Güçlendirilmiş başlıktaki fırça çubuğunda tıkanma olursa fırça çubuğu motor koruma sensörü devreye girebilir. Fırça çubuğu durur ve güçlendirilmiş başlıktaki ışık kırmızı renkte yanar. Sıfırlamak için fırça çubuğunu ve dik süpürgeyi kapatın, güçlendirilmiş başlığı uzun erişim sopasından/el süpürgesinden çıkarın ve tıkanıklığı giderin. Güçlendirilmiş başlık aracını tekrar takmadan önce 1 dakika bekleyin, dik süpürgeyi açın ve fırça çubuğu açma/kapatma düğmesine basın.

Saklama

■ Dik süpürgenizi serin ve kuru yerde saklayın. Filtreler kullanıcı kılavuzundaki talimatlara uyularak temizlenirse, saklanmadan önce tamamen kurduklarından emin olun. Dik süpürge, sürekli bir destek olmadığı sürece dik durmayacaktır. Kullanımlar arasında süpürgeyi zeminde uygun bir yere, üzerine basılma veya takılma tehlikesi oluşturmayacak şekilde yatay olarak yerleştirin.

Pil ve Atma



DİKKAT: Bu cihazda kullanılan pil, hatalı kullanım durumunda yangın veya kimyasal yanık tehlikesi teşkil edebilir. Cihazı parçalarına ayırmayın, üreticinin maksimum sıcaklık limitini (60°C/140°F) aşacak şekilde ısınmasına izin vermeyin ya da yakmayın. Başka bir pil kullanmak yangın veya patlama riski ortaya çıkarabilir.

- Atma öncesinde cihazın pili çıkarılmalı ve kullanılmış pil güvenli ve uygun bir şekilde atılmalıdır. Çocuklardan uzak tutun. Atma öncesinde, kısa devre yaşanmaması için ağız terminaleri ağır yalıtım bandı ile korumaya alın. Pil, yerel pil geri dönüşüm merkezinde güvenli bir şekilde imha edilmelidir.
- Pili parçalarına ayırmaya kalkışmayın, pilin terminalerini koruyan herhangi bir bileşeni çıkarmayın ve pili asla ateşe atmayın. Pilde ve şarj adaptöründe kullanıcının bakım yapabileceği herhangi bir parça bulunmaz. Yangın veya yaralanmalar meydana gelebilir.
- Kullanım öncesinde veya atma öncesinde pil çıkartılırken cihazın elektrik şebekesi bağlantısı kesilmelidir. Pilde herhangi bir akma olması durumunda ciltle temas etmemesini sağlayın ve +800 2672 6677 numarasını arayın.

**LÜTFEN DAHA SONRA KULLANMAK ÜZERE
KULLANIM TALİMATLARINI SAKLAYIN**

Teşekkür ederiz!

Bir Dirt Devil ürünü satın almaya karar vermiş olmanızdan memnun olduk. Cihazınızı iyi günlerde kullanmanızı dileriz ve satın aldığınız için teşekkür ederiz.

Ürününüzle ilgili diğer bilgileri bu kullanım kılavuzunda ve www.dirtdevil.de adresindeki web sitemizde bulabilirsiniz. Dirt Devil servis departmanımızla iletişim kurmak için 2. sayfadaki iletişim bilgilerine bakın.

Teknik Veriler

Cihaz türü	Kablosuz elektrikli süpürge
Model	DD778,DD778 (-0/.../-9)
Şarjlı pil	Li-ion 32V
maksimum çalışma süresi	yaklaşık 45 dakika
maksimum şarj etme süresi	yaklaşık 4 saat
Şebeke parçası	Giriş: 100 – 240 V ~, 1A Çıkış: 34 V, 600 mA
Toz toplayıcı kapasitesi	0,3 litre Maksimum Doluluk; 0,6 litre Maksimum Kapasite
Güç	234 W
Ağırlık	3,1 kg

Çevre koruma ve atma

Cihazı atmak istemeniz halinde, şarj edilebilir pili çıkarın ve şarj edilebilir pili ve cihazı ayrı ayrı atın.



Cihazı, şarj edilebilir pili veya şebeke adaptörünü evsel atıklarla birlikte atmayın.



Cihazı, şarj edilebilir pili ve şebeke adaptörünü, uygun toplama noktalarına atın.

Li-ion

Garanti

Cihazı Avrupa Birliğindeki bir tüketici olarak satın aldıysanız, AB Direktifi 2011/83/AB uyarınca uygulanan ilgili ulusal mevzuat, asgari garanti standardı olarak geçerli olur. AB üyesi olmayan ülkelerde, ilgili ülkede geçerli asgari garanti gereklilikleri geçerlidir. Normal aşınma veya amaç dışı kullanım sebebiyle bozulan ya da ömürleri kısalan piller veya şarj edilebilir piller hariç tutulur.



Sürekli ürün iyileştirme kapsamında teknik değişiklik ve şekil değişikliği yapma hakkımızı saklı tutarız.

© Royal Appliance International GmbH

MAKİNENİZİ TANIYIN

Şekil 1

- A. Taşıma sapı
- B. Toz bölmesi
- C. Toz bırakma düğmesi
- D. Filtre kapağı ve filtre
- E. Toz bölmesi çıkarma mandalı
- F. Pil seviyesi gösterge ışığı
- G. Güç artırma düğmesi
- H. Fırça çubuğu açma/kapatma düğmesi
- I. Açma/Kapama düğmesi
- J. Şarj yuvası
- K. Uzun erişim sopası
- L. Güçlendirilmiş başlık
- M. Fırça çubuğu
- N. Şarj adaptörü
- O. Duvara montaj aparatı, 2 vida ve dübel
- P. Aralık temizleme aracı tutacağı

İçindekiler Şekil 2

- A. Aralık temizleme aracı B. Toz alma fırçası

Ambalajını çıkarma ve montaj

1. İçeriği çıkarın ve eksik parça olup olmadığını kontrol edin. (Şekil 1 ve 2).
2. Uzun erişim sopasını ve güçlendirilmiş başlığı el süpürgesine takın. Bunlar yerlerine tam olarak geçtiğinde bir klik sesi duyulur (Şekil 3).
3. Aralık temizleme aracı tutacağını, uzun erişim sopasının altına doğru itin ve aracı yerine takın (Şekil 4).

Duvara montaj aparatının takılması

1. El süpürgesi uzun erişim sopasına ve güçlendirilmiş başlığa takılı değilken, uzun erişim sopasının arkasını üs kısımdan duvar braketine doğru itin. (Şekil 5 /1).
2. Dik süpürgeyi saklamak için bir yer seçin. Bu yer tercihen bir elektrik prizinin hemen altında veya

üstünde olmasa da yakınında olabilir. Dik süpürge güçlendirilmiş başlığını ve sopayı duvara doğru bastırın (bu sırada güçlendirilmiş başlık zemine paralel olmalıdır).

3. Duvar braketini duvarda sabit tutarken bir kalemle vida yerlerini işaretleyin. (Şekil 5 /2) Vidaları ve dübelleri kullanarak duvar braketini duvara sabitleyin.

4. Şarj adaptörü kablosu ve toz fırçası duvar braketine sabitlenebilir (Şekil 6).

5. Dik süpürgeyi tamamen monte edin ve sabitlemek için dik süpürgeyi duvar braketine doğru bastırın. Dik süpürgenin her zaman yerine tam olarak oturduğundan emin olun.

NOT İlk kullanımdan önce şarj gereklidir ve bu ilk şarj yaklaşık 4 saat sürer. İlk kullanımdan önce pili tam olarak şarj etmemek kötü pil performansına neden olabilir. Pilin beklenen kullanım ömrü, dik süpürgenin kullanımına göre değişecektir.

Dik süpürgenin şarj edilmesi

1. Dik süpürgeyi şarj etmek için duvar braketine takın. İsterseniz bir el süpürgesi olarak da şarj edebilirsiniz. Bunun için süpürgeyi uzun erişim sopasından ve araçlardan çıkarın ve düz, dengeli bir yüzeye koyun.
2. Şarj adaptörü kablosunu, el süpürgesinin taşıma sapında yer alan şarj yuvasına (Şekil 1 /J) takın ve şarj adaptörünün fişini prize takın.
3. Pil şarj olurken seviye gösterge ışıkları sırayla yanar ve en sonunda dördü de yanar. (Şekil 7 /1 ve 7 /2) Tamamen şarj olduğunda ışıklar söner. İlk şarj 4 saat sürer.
4. Dik süpürge kullanılırken, pil seviyesi gösterge ışıkları ne kadar şarj kaldığını gösterir. %20'den az

şarj kaldığında en alttaki ışık kırmızı renkte yanıp sönmeye başlar. Bu, şarjın bitmek üzere olduğunu şarj etmek gerektiğini gösterir. (Şekil 7 /3).

Dik süpürgecinin kullanımı



Uyarı: Açık durumda, güçlendirilmiş başlıktaki fırça çubuğu sürekli döner.

Güçlendirilmiş başlığı asla bir nokta üzerinde uzun süre kullanmayın. Aksi halde fırça çubuğu zemine zarar verebilir. Sert zeminleri temizlerken güçlendirilmiş başlık fırça çubuğunu her zaman kapatın. Zeminin zarar görmesini önlemek adına, önce göze çarpmayan bir kısımda test yapın.



DİKKAT: Güçlendirilmiş başlıktaki fırça çubuğunda tıkanma olursa fırça çubuğu motor koruma sensörü devreye girebilir. Fırça çubuğu durur ve güçlendirilmiş başlıktaki ışık kırmızı renkte yanar (Şekil 18). Sıfırlamak için fırça çubuğunu ve dik süpürgeyi kapatın, güçlendirilmiş başlığı uzun erişim sopasından/ el süpürgesinden çıkarın ve tıkanıklığı giderin. Güçlendirilmiş başlık aracını tekrar takmadan önce 1 dakika bekleyin, dik süpürgeyi açın ve fırça çubuğu açma/kapatma düğmesine basın.

1. Ayağınızı güçlendirilmiş başlığın (Şekil 8 /1) üzerine koyun ve kolu geri çekerek yaslayın (Şekil 8 /2).

2. Dik süpürgeyi açmak için, kolun üzerindeki açma/kapatma düğmesine basın. (Şekil 9 /1) Kolun üzerindeki açma/kapatma düğmesi ve pil seviyesi gösterge ışıkları yanar (Şekil 7 /2).

3. Çok kirli olan ve fazladan temizlik gerektiren yerlerde emme gücünü artırmak için güç artırma modu devreye sokulabilir (Şekil 9 /3).

4. Fırça çubuğunu açmak için fırça çubuğu açma/kapatma düğmesine basın (Şekil 9 /2). Fırça çubuğu açıldığında güçlendirilmiş başlığın üzerindeki ışık ve fırça çubuğu açma/kapatma düğmesinin ışığı yanar ve fırça çubuğu sürekli dönmeye başlar. Kapatmak için fırça çubuğu açma/kapatma düğmesine tekrar basın.

Açıklama: Güçlendirilmiş başlık fırça çubuğu halılar temizlenirken açık, sert yüzeylerde ise kapalı olmalıdır. Güç artırma modunun ve fırça çubuğunun sürekli kullanımı pil kullanım süresini düşürecektir.

5. Güçlendirilmiş başlık da dahil olmak üzere tüm aksesuarlar el süpürgesi (Şekil 10) ya da uzun erişim sopası üzerine direkt olarak takılabilir. Erişmesi zor yerlerde ve yüksek yerleri temizlemek için aralık temizleme aracı ve toz alma fırçası kullanılabilir.

DİK SÜPÜRGENİN BAKIMI



Uyarı: Herhangi bir bakım veya sorun giderme işlemi yapmadan önce dik süpürgeyi her zaman kapatın ve şarj adaptörünü fişten çıkarın.

Toz bölmesinin çıkarılması ve takılması

1. Mandalını (Şekil 11 /1) iterek toz bölümünü serbest bırakın, toz bölümünü dik süpürgeye çıkarmak için eğerek yukarı kaldırın (Şekil 11 /2).

Açıklama: Yerine takmadan önce, eğer bölmenin kapağı ayırıcıyla birlikte temizlik amacıyla çıkarılmışsa, ayırıcının yerine takıldığından ve kapağın yerine kilitlendiğinden emin olun. (Şekil 13 /1).

2. Tekrar takmak için, toz bölmesi bağlantısını dik süpürge sapı ile hizalayın. (Şekil 12/1) Toz bölmesi çıkarma mandalına (Şekil 12/2) bastırın ve toz bölmesini dik süpürge üzerine doğru itin. Toz bölmesini yerine kilitlemek için toz bölmesi mandalını serbest bırakın.

3. 3 bağlantı noktasının hepsi hizalanıp yerine geçtiğinde bağlantı sağlanmış olur (Şekil 13).

Toz bölmesinin boşaltılması

1. Mandalını (Şekil 11/1) iterek toz bölmesini serbest bırakın, toz bölmesini dik süpürge den çıkarmak için eğerek yukarı kaldırın (Şekil 11/2).

2. Toz bölmesini bir çöp kutusunun üzerine getirin ve toz bırakma düğmesine basarak tozların ve pisliklerin düşmesini sağlayın. (Şekil 14/1 & 2).

3. Kapatmak için, toz bölmesinin kapağını yerine kilitlenene kadar itin. (Şekil 14/3).



DİKKAT: Dik süpürge nin hava akışında herhangi bir tıkanma olmaması için toz bölmesinin aşırı dolmasına izin vermeyin. En iyi temizlik sonuçlarına ulaşmak için toz bölmesini her kullanımdan sonra temizleyin. Filtreler, her 4-6 kullanım sonrasında bir çöp kutusu üzerinde hafifçe vurularak üzerlerindeki kirlere ve pisliklere temizlenmeli ve her 3 ayda bir yıkanmalıdır. Filtreler, kullanım düzeyine göre her 6 ila 9 ayda bir değiştirilmelidir.

Filtrenin ve ayırıcının temizlenmesi

1. Toz bölmesini boşaltın (Şekil 14).

2. Toz bölmesinin kapağındaki tırnağı kaldırın (Şekil 15/1 ve 2). Filtre kapağını ve ayırıcı toz bölmesinden kaldırın (Şekil 15/3).

3. Ayırıcıyı bir çöp kutusunun üzerinde hafifçe vurularak üzerindeki tozları ve pislikleri temizleyin ve metal siperliği kuru bir bezle silin (Şekil 16/1).

4. Ayırıcıdan çıkarmak için filtrenin üzerindeki tırnağı çekin (Şekil 16/2). Filtreyi çöp kutusuna hafifçe vurularak tozları ve pislikleri temizleyin (Şekil 16/3).

5. Filtreyi akan suyun altında yıkayın (maksimum 40°C) (Şekil 17). Yerine takmadan önce en az 24 saat veya tamamen kuruyana kadar bekleyin.

Güçlendirilmiş başlık fırça çubuğunun temizlenmesi ve değiştirilmesi

1. Bir bozuk para ile fırça çubuğu kilidini iterek saat yönünün tersine çevirin ve fırça çubuğunu çıkarın (Şekil 19/1).

2. Fırça çubuğunu fırça çubuğu muhafazasından çekip çıkarın (Şekil 20/1).

3. Herhangi bir iplik veya saç varsa çıkarmak için, bir makasın sivri kısmını fırça çubuğunun oluşuna doğru kaydırarak oluk boyunca ipliği veya saçı kesin. Uçlardaki ve güçlendirilmiş başlığın muhafazasının içindeki tüm kirlere ve pislikleri temizleyin (Şekil 21).

4. Fırça çubuğunu yerine takın (Şekil 20/2) ve fırça çubuğunu saat yönünde çevirerek kilitleyin (Şekil 19/2).

Güçlendirilmiş başlık kayışının çıkartılması ve değiştirilmesi

1. Bir yıldız tornavida kullanarak 3 vidayı sökün ve kapağı çıkarın (Şekil 22/1).

2. Kayış kopmuşsa çıkarın ve çarklarda herhangi bir pislik varsa temizleyin. Kayışı değiştirmek için önce kayışı küçük çarkın üzerinden geçirin. Kayışı büyük çarkın üstünden geçirin ve kayışı ve çarkı saat yönünün tersine döndürün. Bu dönüş sırasında kayış çarkın üzerine kayacaktır (Şekil 22/2).

3. Kayış kapağını yerine takın ve vidalarla sabitleyin.

Tıkanıklık kontrolü

1. El süpürgesi serbest bırakma düğmesine basın ve uzun erişim sopasını çıkarın. El süpürgesi bağlantı noktasındaki ve bölme girişindeki tozları ve pislikleri temizleyin. (Şekil **23**/1).
2. Güçlendirilmiş başlıkta herhangi bir tıkanıklık olup olmadığını kontrol edin ve varsa gidermek için kesici olmayan bir nesne kullanın. (Şekil **23**/2).
3. Uzun erişim sopasında tıkanıklık testi yapmak için sopanın içine küçük bir kağıt topu atın. Eğer sopa temizse kağıt topu düşecektir. Herhangi bir tıkanıklığı gidermek için bir süpürge sapı veya benzer bir kesici olmayan nesne kullanın (Şekil **23**/3).

AKSESUARLAR VE YEDEK PARÇALAR

Aksesuarlar ve yedek parçalar
İnternette bizi ziyaret edin:

www.dirtdevil.de

Web sitemizde Dirt Devil ürününüz ile ilgili kapsamlı yedek parça ve aksesuar listesi ile pratik öneriler ve ipuçları bulabilirsiniz.

SORUN GİDERME

Eksik bir aksesuar var

İçeriği kontrol edin (Şekil 2).

Dik süpürge neden çalışmıyor?

■ Dik süpürge'nin şarj edilmesi gerekiyor olabilir.

Dik süpürge'nin şarj edilmesi bölümüne bakın.

■ Motor termostatu takılmış olabilir. Toz bölmesini boşaltın ve herhangi bir tıkanma var mı kontrol edin. Filtreleri temizleyin ve yaklaşık 1 saat dik süpürge'nin soğumasını bekleyin. Filtreleri yıkadıysanız dik süpürge'ye geri takmadan önce tamamen kurumaları için 24 saat bekleyin.

Dik süpürge neden çekmiyor?

■ Toz bölmesi düzgün takılmamış olabilir.

Toz bölmesinin çıkarılması ve takılması

bölümüne bakın.

■ Toz bölmesi tıkanmış olabilir. Toz bölmesi ve el süpürgesi giriş kısmında tıkanma var mı kontrol edin. **Toz bölmesinin boşaltılması** bölümüne bakın.

■ Filtreler tıkanmış olabilir. **Filtrenin ve ayırıcının temizlenmesi** bölümüne bakın.

■ Bir tıkanıklık olabilir. **Tıkanıklık kontrolü** bölümüne bakın.

■ Güçlendirilmiş başlıktaki fırça çubuğu devreye sokulmamış. **Dik süpürge'nin kullanımı** bölümüne bakın.

■ Güçlendirilmiş başlık tıkanmış olabilir. **Güçlendirilmiş başlık fırça çubuğunun temizlenmesi ve değiştirilmesi** bölümüne bakın.

■ Dik süpürge, güçlendirilmiş başlık ve uzun erişim sopası doğru takılmamış olabilir. **Ambalajını çıkarma ve montaj** bölümüne bakın.

Cihazın üzerinde neden kırmızı bir ışık yanıyor?

■ Şarj azalmıştır (%20'nin altına düşmüştür).

Dik süpürge'nin şarj edilmesi bölümüne bakın.

Güçlendirilmiş başlık üzerinde neden kırmızı bir ışık yanıyor?

■ Güçlendirilmiş başlık fırça çubuğu tıkanmış.

Güçlendirilmiş başlık fırça çubuğunun temizlenmesi ve değiştirilmesi bölümüne bakın.

Güçlendirilmiş başlık neden dönmüyor?

■ Güçlendirilmiş başlıktaki fırça çubuğu devreye sokulmamış. **Dik süpürge'nin kullanımı** bölümüne bakın.

■ Araç/fırça çubuğu tıkanmış olabilir.

Güçlendirilmiş başlık fırça çubuğunun temizlenmesi ve değiştirilmesi bölümüne bakın.

■ Dik süpürge, güçlendirilmiş başlık ve uzun erişim sopası doğru takılmamış olabilir.

Ambalajını çıkarma ve montaj bölümüne bakın.

■ Aracın kayışı kopmuş olabilir. **Güçlendirilmiş başlık kayışının çıkartılması ve değiştirilmesi** bölümüne bakın.

Dirt Devil müşteri hizmetleri departmanımızla iletişime geçmeden ya da cihazı Dirt Devil müşteri hizmetleri departmanına göndermeden önce yaşadığınız sorunları çözüme ulaştırmanıza yardımcı olacak pek çok bilgiyi web sitemizin servis bölümünde bulabilirsiniz.

www.dirtdevil.de/service

TURVALLISUUSTIEDOT

Käyttöopas

Lue tämä käyttöopas kokonaisuudessaan ennen laitteen käyttöä. Säilytä käyttöopas myöhempää käyttöä varten. Mikäli luovutat laitteen edelleen, anna käyttöopas sen mukana. Käyttöoppaan noudattamatta jättämisestä voi seurata vakava loukkaantuminen tai laitteen vaurioituminen. Emme vastaa vaurioista, joiden syynä on näiden ohjeiden noudattamatta jättäminen. Tämän luvun ulkopuoliset tärkeät turvallisuusohjeet on merkitty seuraavalla tavalla:



VAROITUS: Varoittaa terveysvaaroista ja ilmaisee mahdolliset loukkaantumisriskit.



HUOMIO: Varoittaa laitteen tai muiden esineiden mahdollisesta vaarantumisesta.

OHJE Tuo esiin vihjeitä ja tietoja.

Yleinen käyttö

Tämä varsi-imuri on tarkoitettu ainoastaan kotikäyttöön, EI kaupalliseen tai teollisuuskäyttöön.

- Käytä varsi-imuria vain sisätiloissa kuivilla pinnoilla ja huolehdi hyvästä valaistuksesta puhdistettavalla alueella.
- Älä imuroi kovia tai teräviä esineitä, kuten lasia, nautoja, ruuveja, kolikoita tms.
- Älä imuroi kuumia hiiliä, tupakantumpeja, tulitikkuja tai palavia tai savuavia esineitä.
- Älä käytä alueella, joka on märkä tai jossa voi olla haitallisia nesteitä (klooria, valkaisuaineita ja ammoniakkaa sisältäviä viemärinpuhdistimia).
- Älä yritä irrottaa tukoksia terävillä esineillä, ettet vahingoita varsi-imuria.

■ Tämän varsi-imurin kanssa saa käyttää vain Dirt Devilin suosittelemia osia, lisätarvikkeita ja laturia. Tarkasta aina ennen käyttöä, etteivät lattiasuutin ja lisävarusteet ole vioittuneita, likaisia tai roskaisia.

■ Sammuta varsi-imuri ja irrota se laturista aina ennen huoltotoimenpiteitä. Katso tarvittavat varoimet käyttöoppaan asianmukaisesta kohdasta.

■ Varmista aina ennen varsi-imurin käyttöä, että erotin ja suodattimet on asennettu oikein.

■ Pidä kaikki aukot esteettöminä ja roskattomina, sillä tämä vaikuttaa ilmavirtaukseen/imeeseen.

■ Ole erityisen varovainen, jos käytät varsi-imuria portaissa.



VAROITUS: Katkaise aina varsi-imurista virta ja irrota se laturista ja virtalähteestä ennen huoltotoimenpiteitä tai vikojen korjaamista.



HUOMIO: Älä anna pölysäiliön täytyttyä liian täyteen, jotta ilman kulku varsi-imurin läpi ei esty. Parhaan puhdistustuloksen saa tyhjentämällä pölysäiliön jokaisen käyttökerran jälkeen. Poista pöly ja lika suodattimista koputtamalla niitä roska-astian yllä 4–6 käyttökerran välein ja pese suodattimet 3 kuukauden välein. Suodattimet on vaihdettava 6–9 kuukauden välein käyttömäärästä riippuen.

Turvallisuus

■ Tätä varsi-imuria voivat käyttää 8 vuotta täyttäneet lapset ja henkilöt, joiden fyysiset tai henkiset kyvyt tai aistit ovat heikentyneet tai joilla on vajavainen kokemus ja tietämys, jos heitä on valvottu ja neuvottu laitteen turvallisessa käytössä ja he ymmärtävät varsi-imurin käyttöön

liittyvät vaarat. Lapset eivät saa leikkiä varsi-imurilla.

Lapset eivät saa puhdistaa tai huoltaa laitetta ilman valvontaa.

- Pidä sormet, hiukset ja väljät vaatteet erillään liikkuvista osista ja aukoista varsi-imuria käytettäessä.
- Älä käytä varsi-imuria, jos se on pudonnut, vahingoittunut, upotettu veteen tai jätetty ulos.
- Älä käsittele laturin pistoketta tai käytä varsi-imuria märin käsin.
- Älä käytä varsi-imurin laturia, jos laturin johto tai pistoke on vahingoittunut.
- Älä irrota laturia vetämällä laturin johdosta.

Virtalähde

- Älä lataa varsi-imuria ulkona äläkä jätä laturia kytketyksi verkkovirtaan silloin, kun se ei ole käytössä.
- Älä käytä varsi-imuria väärällä laturilla, sillä tämä voi johtaa vioittumiseen ja käyttäjän loukkaantumiseen. Oikean laturin tiedot on merkitty laitteeseen.
- Käytä ainoastaan varsi-imurin toimitukseen sisältyvää laturia. Mikäli käytät varsi-imurin lataamiseen jatkojohtoa, käytä ainoastaan CE-merkittyä 13 ampeerin jatkojohtoa, sillä jatkojohdot, joilla ei ole CE-merkintää, voivat ylikuumentaa. Jatkojohto täytyy sijoittaa huolellisesti, sillä se voi aiheuttaa kompastumisvaaran.

Harjatela



VAROITUS: Moottorisuulakkeen harjatela pyörii jatkuvasti harjatelan ollessa päällä. Älä puhdistaa moottorisuulakkeella samaa kohtaa pitkän aikaa, sillä harjatela voi vahingoittaa lattian pintaa. Kytke moottorisuulakkeen harjatela pois päältä aina kovia lattiapintoja puhdistaessasi. Testaa ensin huomaamattomalla lattia-alueella mahdollisten vaurioiden välttämiseksi.



HUOMIO: Jos moottorisuulakkeen harjatela on tukossa, harjatelan moottorin suojausanturi on voinut aktivoitua. Harjatela pysähtyy ja moottorisuulakkeen merkkivalo syttyy palamaan punaisena. Resetoi se katkaisemalla harjatelasta ja varsi-imurista virta. Irrota sitten moottorisuulake varresta / rikkaimurista ja poista tukos. Odota yksi minuutti ennen moottorisuulakkeen asentamista takaisin paikalleen. Käynnistä varsi-imuri ja paina harjatelan PÄÄLLE/POIS-painiketta.

Säilytys

- Säilytä varsi-imuria viileässä ja kuivassa paikassa. Jos suodattimet on käyttöohjeiden mukaan puhdistettu, varmista, että ne ovat täysin kuivat ennen säilytystä. Tämä varsi-imuri ei pysy pystyasennossa ilman jatkuvaa tukea. Aseta se käyttäjien välissä makuulleen lattialle paikkaan, jossa se ei aiheuta kompastumisvaaraa ja jossa sen päälle ei voida astua.

Akku ja hävittäminen



HUOMIO: Tämän laitteen akku voi väärinkäytettynä aiheuttaa tulipalovaaran tai kemiallisen palovamman. Ei saa purkaa tai kuumentaa yli valmistajan enimmäislämpötilarajan (60°C/140°F) eikä polttaa. Muun akun käyttö voi aiheuttaa tulipalo- tai räjähdysvaaran.

■ Akku on irrotettava laitteesta ennen laitteen hävittämistä ja käytetty akku on hävitettävä turvallisesti ja viipymättä. Pidä poissa lasten ulottuvilta. Suojaa paljaat virtanavat vahvalla eristysnauhalla ennen hävittämistä oikosulkujen välttämiseksi. Akku on toimitettava hävitettäväksi akkujen kierrätyskeskukseen.

■ Älä yritä purkaa akkua tai irrottaa esiinpestäviä osia akun virtanavoista äläkä hävitä akkua polttamalla. Akussa ja laturissa ei ole huollettavia osia. Voi aiheuttaa tulipalon tai loukkaantumisen.

■ Laite on irrotettava verkkovirrasta ennen käyttöä tai ennen kuin akku irrotetaan laitteesta laitteen hävittämistä varten. Jos akku vuotaa, vältä ihokosketusta ja ota yhteyttä numeroon +800 2672 6677.

SÄILYTÄ OPAS TULEVAA KÄYTTÖÄ VARTEN

Kiitos!

Kiitos Dirt Devil -tuotteen ostamisesta. Toivomme, että sinulle on paljon iloa laitteestasi ja kiitämme sinua ostoksestasi.

Lisätietoa tuotteesta löytyy näistä käyttöohjeista ja verkkosivustoltamme osoitteesta www.dirtdevil.de. Dirt Devilin asiakaspalveluosaston yhteystiedot ovat sivulla 2.

Tekniset tiedot

Laitteen tyyppi	Johdoton pölynimuri
Malli	DD778,DD778 (-0/.../-9)
Ladattava akku	Li-ion 32 V
Maks. käyttöaika	noin 45 minuuttia
Maks. latausaika	noin 4 tuntia
Verkkoadapteri	Tulo: 100 – 240 V ~, 1 A Lähtö: 34 V, 600 mA
Pölysäiliön tilavuus	0,3 l maks. täyttö; 0,6 l maks. tilavuus
Teho	234 W
Paino	3,1 kg

Ympäristönsuojelu ja hävittäminen

Jos haluat hävittää laitteen, irrota sen akku ja hävitä akku ja laite erikseen.



Laitetta, sen akkua ja verkkoadapteria ei saa hävittää talousjätteen mukana.



Toimita laite, akku ja verkkoadapteri erikseen asianmukaisiin jätteen keräyspisteisiin hävitettäväksi.

Li-ion

Takuu

Mikäli laitteen on hankkinut kuluttaja Euroopan Unionin alueella, vähimmäistakuustandardina sovelletaan asianomaisen maan EU:n direktiivin 2011/83/EU mukaista kansallista lainsäädäntöä. EU:n ulkopuolisissa maissa sovelletaan asianomaisen maan takuita koskevia vähimmäisvaatimuksia. Tämä ei koske paristoja tai akkuja, jotka ovat vioittuneet tai joiden käyttöikä on lyhentynyt normaalin kulumisen tai epäasianmukaisen käsittelyn vuoksi.



Tuotetta parannetaan jatkuvasti, joten oikeudet teknisiin ja suunnittelumuutoksiin pidätetään.

© Royal Appliance International GmbH

LAITTEESEEN TUTUSTUMINEN

Kuva 1

- A. Kantokahva
- B. Pölysäiliö
- C. Pölyn vapautuspainike
- D. Suodattimen päällys ja suodatin
- E. Pölysäilön vapautussalpa
- F. Akun latauksen merkkivalo
- G. Tehostuspainike
- H. Harjatan PÄÄLLE/POIS-painike
- I. Virtapainike
- J. Latausportti
- K. Imurin varsi
- L. Moottorisuulake
- M. Harjatela
- N. Laturi
- O. Seinäteline, 2 ruuvia ja seinätulpa
- P. Rakosuuttimen säilytyspidike

Sisältö kuva 2

- A. Rakosuutin
- B. Pölyharja

Purkaminen pakkauksesta ja kokoaminen

1. Pura pakkauksen sisältö ja tarkasta, että sisältö on täydellinen (kuvat 1 ja 2).
2. Kiinnitä imurin varsi ja moottorisuulake rikkaimuriin. Ne lukkiutuvat paikoilleen napsahtaen (kuva 3).
3. Paina rakosuuttimen säilytyspidike imurin varren alaosaan kiinni ja aseta suutin paikalleen (kuva 4).

Seinätelineen kiinnittäminen

1. Irrota rikkaimuri imurin varresta ja moottorisuulakkeesta ja paina varren yläosan takaosa säilytyspidikkeeseen (kuva 5/1).
2. Valitse säilytyspaikka varsi-imurille. Sopiva paikka on virtalähteen lähellä mutta ei kuitenkaan suoraan pistorasian ylä- tai alapuolella. Aseta

varsi-imurin moottorisuulake ja varsi seinää vasten ja varmista, että moottorisuulake on tasaisesti lattialla.

3. Paina seinäpidikettä lujasti seinää vasten ja merkitse ruuvien paikat lyijykynällä (kuva 5/2). Kiinnitä seinäpidike seinälle ruuvien ja seinätulppien avulla.

4. Laturin johdon ja pölyharjan voi kiinnittää seinäpidikkeeseen (kuva 6).

5. Kokoa varsi-imuri ja kiinnitä se seinätelineeseen painamalla sitä lujasti. Varmista, että varsi-imuri on lukittuna paikalleen.

Varsi-imurin lataaminen

OHJE Ensimmäinen lataus kestää 4 tuntia ja laite on ladattava ennen ensimmäistä käyttöä. Jos akkua ei ladata täysin ennen ensimmäistä käyttöä, akun suorituskyky voi heikentyä. Akun käyttöikä vaihtelee varsi-imurin käytön mukaan.

1. Kiinnitä varsi-imuri tukevasti seinätelineeseen ladattavaksi. Imurin voi ladata myös rikkaimurina. Irrota varsi-imuri ja suulakkeet varresta ja aseta imuri tasaiselle ja vakaalle alustalle.
2. Pistä laturin johto rikkaimurin kantokahvan latausporttiin (kuva 1/J) ja kiinnitä laturin pistoke pistorasiaan.
3. Kun akku latautuu, akun merkkivalot syttyvät yksi kerrallaan kunnes kaikki neljä valoa ovat syttyneet (kuvat 7/1 ja 7/2). Kun akku on latautunut täyteen, valot sammuvat. Ensimmäisellä latauskerralla latausaika on 4 tuntia.
4. Kun varsi-imuri on käytössä, akun merkkivalot osoittavat, kuinka paljon latausta on jäljellä. Kun latausta on jäljellä alle 20 %, alin valo vilkkuu

punaisena. Tämä tarkoittaa, että akun lataus on vähissä ja että akku on ladattava (kuva 7/3).

Varsi-imurin käyttö



VAROITUS: Moottorisuulakkeen harjatelä pyörii jatkuvasti harjatelän ollessa päällä. Älä puhdistaa moottorisuulakkeella samaa kohtaa pitkän aikaa, sillä harjatelä voi vahingoittaa lattian pintaa. Kytke moottorisuulakkeen harjatelä pois päältä aina kovia lattiapintoja puhdistaussasi. Testaa ensin huomaamattomalla lattia-alueella mahdollisten vaurioiden välttämiseksi.



HUOMIO: Jos moottorisuulakkeen harjatelä on tukossa, harjatelän moottorin suojausanturi on voinut aktivoitua. Harjatelä pysähtyy ja moottorisuulakkeen merkkivalo syttyy palamaan punaisena (kuva 18). Resetoi se katkaisemalla harjatelästä ja varsi-imurista virta. Irrota sitten moottorisuulake varresta / rikkaimurista ja poista tukos. Odota yksi minuutti ennen moottorisuulakkeen asentamista takaisin paikalleen. Käynnistä varsi-imuri ja paina harjatelän PÄÄLLE/POIS -painiketta.

1. Aseta jalka moottorisuulakkeelle (kuva 8/1) ja kallista imuria vetämällä kahvasta taaksepäin (kuva 8/2).
2. Käynnistä varsi-imuri painamalla kahvassa olevaa virtapainiketta (kuva 9/1). Virtapainike ja kahvassa olevat akun merkkivalot syttyvät (kuva 7/2).
3. Imua voi lisätä erityisen likaisilla ja ylimääräistä puhdistusta vaativilla alueilla käyttämällä tehostustilaa (kuva 9/3).

4. Käynnistä harjatelä painamalla harjatelän PÄÄLLE/POIS -painiketta (kuva 9/2). Moottorisuulakkeen valo ja harjatelän PÄÄLLE/POIS -valot syttyvät, kun harjatelä on päällä, ja harjatelä pyörii tällöin jatkuvasti. Harjatelän saa pois päältä painamalla PÄÄLLE/POIS -painiketta uudestaan.

OHJE: Moottorisuulakkeen harjatelän tulee olla PÄÄLLÄ mattoja imuroidessa ja POIS PÄÄLTÄ kovia latioita imuroidessa. Tehostustilan ja harjatelän jatkuva käyttö lyhentävät akun käyttöaikaa.

5. Kaikki lisävarusteet, mukaan lukien moottorisuulake, voidaan kiinnittää suoraan joko rikkaimuriin (kuva 10) tai imurin varteen. Rakosuuttimella ja pölyharjalla voidaan puhdistaa paikkoja, joihin on hankala ylettyä tai jotka ovat lattiatasoa korkeammalla.

VARSIMURIN HUOLTO



VAROITUS: Katkaise aina varsi-imurista virta ja irrota se laturista ja virtalähteestä ennen huoltotoimenpiteitä tai vikojen korjaamista.

Pölysäiliön irrottaminen ja asettaminen takaisin paikalleen

1. Vapauta pölysäiliö painamalla sen vapautussalpa alas (kuva 11/1) ja irrota se varsi-imurista kallistamalla ja nostamalla (kuva 11/2).

OHJE: Jos erottimen sisältävän säiliön kansi on poistettu puhdistamista varten, varmista, että erotin on asennettu takaisin ja että kansi on lukkiutunut paikalleen ennen uudelleen asentamista (kuva 13/1).

2. Aseta pölysäiliö takaisin paikalleen kohdistamalla se varsi-imurin kahvan liitoskohtaan (kuva **12/1**). Paina pölysäiliön vapautussalpa (kuva **12/2**) ja paina pölysäiliö kiinni varsi-imuriin. Pölysäiliö lukkiutuu paikalleen, kun päästät irti salvasta.
3. Oikein asennettuna kaikki kolme liitäntäpistettä ovat kohdillaan ja suorassa (kuva **13**).

Pölysäiliön tyhjentäminen

1. Vapauta pölysäiliö painamalla sen vapautussalpa alas (kuva **11/1**) ja irrota se varsi-imurista kallistamalla ja nostamalla (kuva **11/2**).
2. Pidä pölysäiliötä roska-astian yllä ja paina pölyn vapautuspainiketta. Pöly ja roskat putoavat roska-astiaan (kuvat **14/1** ja **2**).
3. Sulje säiliö painamalla lian vapautusluukkaa kunnes se lukkiutuu paikalleen. (kuva **14/3**).



HUOMIO: Älä anna pölysäiliön täyttyä liian täyteen, jotta ilman kulku varsi-imurin läpi ei esty. Parhaan puhdistustuloksen saa tyhjentämällä pölysäiliön jokaisen käyttökerran jälkeen. Poista pöly ja lika suodattimista koputtamalla niitä roska-astian yllä 4–6 käyttökerran välein ja pese suodattimet 3 kuukauden välein. Suodattimet on vaihdettava 6–9 kuukauden välein käyttömäärästä riippuen.

Suodattimen ja erottimen puhdistaminen

1. Tyhjennä pölysäiliö (kuva **14**).
2. Nosta pölysäiliön kannessa oleva kieleke (kuvat **15/1** ja **2**). Nosta suodattimen päällys ja erotin pois pölysäiliöstä (kuva **15/3**).

3. Irrota erottimessa oleva lika ja roskat koputtamalla sitä roska-astian yllä. Pyyhi metalliosa kuivalla liinalla (kuva **16/1**).
4. Irrota suodatin erottimesta vetämällä suodattimen kielekkeestä (kuva **16/2**). Irrota mahdollinen pöly ja lika koputtamalla suodatinta roska-astiaa vasten (kuva **16/3**).
5. Pese suodatin juoksevan veden alla (enintään 40 °C) (kuva **17**). Anna kuivua vähintään 24 tuntia tai kunnes suodatin on täysin kuiva ennen sen asentamista takaisin paikalleen.

Moottorisuulakkeen harjattelan puhdistaminen ja asentaminen takaisin paikalleen

1. Vapauta harjattela painamalla ja kääntämällä harjattelan lukkoa vastapäivään kolikon avulla (kuva **19/1**).
2. Vedä harjattela ulos kotelostaan (kuva **20/1**).
3. Langat tai hiukset voi irrottaa harjattelasta työntämällä saksien terän harjattelan uraan ja leikkaamalla uran suuntaisesti. Poista päätykappaleista ja moottorisuulakkeen kotelosta lika/roskat (kuva **21**).
4. Aseta harjattela takaisin paikalleen (kuva **20/2**) ja lukitse se kääntämällä harjattelan lukkoa myötäpäivään (kuva **19/2**).

Moottorisuulakkeen päätyhihnan irrottaminen ja asentaminen takaisin paikalleen

1. Irrota suulakkeen kolme ruuvia ristipääruuvimeisselillä ja poista suoja (kuva **22/1**).

2. Jos vanha hihna on rikki, poista se ja puhdista roskat hammaspyöristä. Aseta hihna paikalleen kiertämällä se ensin pienen hammaspyörän yli. Vedä hihna suuren hammaspyörän päälle ja kierrä hihnaa ja hammaspyörää vastapäivään. Hihna luiskahtaa hammaspyörään kun sitä kierretään (kuva **22**/2).
3. Aseta hihnan suoja takaisin paikalleen ja kiristä ruuvit.

Tukokset

1. Paina rikkaimurin vapautuspainiketta ja irrota imurin varsi. Puhdista mahdollinen lika ja roskat rikkaimurin liitospisteestä ja säiliön suulta (kuva **23**/1).
2. Tarkasta, onko moottorisuulakkeessa tukoksia ja poista tukokset tylpän esineen avulla (kuva **23**/2).
3. Jos haluat tarkastaa, onko varressa tukos, pudota varteen pieni paperipallo. Jos varressa ei ole tukosta, paperipallo tulee toisesta päästä ulos. Mahdollisen tukoksen voi poistaa luudanvarren tai vastaavan tylpän esineen avulla (kuva **23**/3).

LISÄVARUSTEET JA VARAOSAT

Lisävarusteet ja varaosat

Vieraile luonamme internetissä osoitteessa:

www.dirtdevil.de

Verkkosivustomme sisältää suuren valikoiman varaosia & lisätarvikkeita sekä käytännöllisiä ohjeita & vinkkejä Dirt Devil -tuotteeseesi liittyen.

VIKOJEN KORJAAMINEN

Lisävaruste puuttuu

Tarkasta sisältö (kuva **2**).

Miksi varsi-imuriin ei tule virtaa?

■ Varsi-imurin akku täytyy ehkä ladata.

Katso **Varsi-imurin lataaminen**.

■ Moottorin termostaatti on voinut katkaista virran. Tyhjennä pölysäiliö ja tarkasta, onko laitteessa tukoksia. Puhdista suodattimet ja anna varsi-imurin jäähtyä noin tunnin ajan. Jos olet pessyt suodattimet, odota 24 tuntia kunnes ne ovat täysin kuivat ennen kuin asennat ne takaisin varsi-imuriin.

Miksi varsi-imuri ei ime?

■ Pölysäiliö voi olla asennettu väärin. Katso **Pölysäiliön irrottaminen ja asettaminen takaisin paikalleen**.

■ Pölysäiliö voi olla tukossa. Tarkasta, onko pölysäiliössä tai rikkaimurin suulla tukoksia. Katso **Pölysäiliön tyhjentäminen**.

■ Suodatin voi olla tukossa. Katso **Suodattimen ja erottimen puhdistaminen**.

■ Imurissa voi olla tukos. Katso **Tukokset**.

■ Moottorisuulakkeen harjatelaa ei ole laitettu päälle. Katso **Varsi-imurin käyttö**.

■ Moottorisuulake voi olla tukossa. Katso **Moottorisuulakkeen harjattelan puhdistaminen ja asentaminen takaisin paikalleen**.

■ Varsi-imuri, moottorisuulake tai varsi voi olla asennettu väärin. Katso **Purkaminen pakkauksesta ja kokoaminen**.

Miksi yksikössä palaa punainen valo?

■ Akun lataus on vähissä (<20 %).

Katso **Varsi-imurin lataaminen**.

Miksi moottorisuulakkeessa palaa punainen valo?

■ Moottorisuulakkeen harjatelaa on tukkeutunut.

Katso **Moottorisuulakkeen harjattelan puhdistaminen ja asentaminen takaisin paikalleen**.

Miksi moottorisuulake ei käänny?

■ Moottorisuulakkeen harjatelaa ei ole laitettu päälle. Katso **Varsi-imurin käyttö**.

■ Suulake/harjatelaa voi olla tukkeutunut. Katso **Moottorisuulakkeen harjattelan puhdistaminen ja asentaminen takaisin paikalleen**.

■ Varsi-imuri, moottorisuulake tai varsi voi olla asennettu väärin. Katso **Purkaminen pakkauksesta ja kokoaminen**.

■ Suulakkeen hihna voi olla rikki. Katso **Moottorisuulakkeen päätyhihnan irrottaminen ja asentaminen takaisin paikalleen**.

Ennen kuin otat yhteyttä Dirt Devilin asiakaspalveluun tai lähetät asiakaspalveluun laitteen, katso verkkosivustomme palveluosio, josta löytyy paljon lisätietoja ongelmien ratkaisemiseen.

www.dirtdevil.de/service

SÄKERHETSINFORMATION

Om denna bruksanvisning

Läs igenom hela denna bruksanvisning innan du använder maskinen. Spara bruksanvisningen för framtida bruk. Om du lämnar över maskinen till tredje part måste du även lämna över denna bruksanvisning. Om du inte följer instruktionerna i denna bruksanvisning riskerar du allvarliga personskador eller skador på maskinen. Vi tar inget ansvar för skador som uppstår på grund av att instruktionerna i denna bruksanvisning inte har följts. Viktig information som inte ingår i detta kapitel anges på följande sätt:



VARNING: Varnar för hälsorisker och identifierar möjliga skaderisker.



VIKTIGT: Behandlar möjliga faror för maskinen eller för andra föremål.

OBS: Lyfter fram tips och information.

Allmän användning

Denna skaftdammsugare är endast avsedd för användning i hemmet, INTE i kommersiell eller industriell miljö.

- Använd endast skaftdammsugaren inomhus på torra ytor, och se till att området som du städar är väl upplyst.
- Sug inte upp hårda eller vassa föremål som t.ex. glas, spikar, skruvar, mynt osv.
- Sug inte upp glödighet kol, cigarettfimpar, tändstickor eller föremål som brinner eller ryker.
- Använd inte maskinen i utrymmen som är våta eller där det kan finnas skadliga vätskor (klor, blekmedel och avloppsrensningssmedel med ammoniak).
- Försök inte att ta bort det som täpper till med vassa föremål eftersom det kan skada din skaftdammsugare.

- Använd endast laddare, munstycken och tillbehör som rekommenderas av Dirt Devil till denna skaftdammsugare, och kontrollera alltid att golvmunstycket och tillbehören är fria från skador, smuts och skräp innan du använder dem.
- Stäng alltid av eller koppla bort skaftdammsugaren från laddaren innan du utför underhåll. Läs alltid igenom det aktuella avsnittet i bruksanvisningen så att du vet vilka försiktighetsåtgärder du ska vidta.
- Försäkra dig om att skaftdammsugarens separator och filter är korrekt monterade innan du använder den.
- Håll alla öppningar fria från skräp och smuts eftersom detta kan inverka på luftflödet/suget.
- Var särskilt försiktig när du använder skaftdammsugaren i trappor.



VARNING: Stäng alltid av skaftdammsugaren och koppla bort den från laddaren samt elnätet innan du utför underhåll eller felsökning.



VIKTIGT: Låt inte dammbehållaren bli överfull så att den blockerar luftflödet genom skaftdammsugaren. Bäst resultat får du om du tömmer dammbehållaren efter varje användning. Skaka ur dammsugarens filter över en sophink efter fyra till sex användningstillfällen för att avlägsna smuts och skräp. Tvätta dem var tredje månad. Dammsugarens filter bör bytas ut efter sex till nio månader, beroende på hur mycket den används.

Säkerhet

- Denna skaftdammsugare kan användas av barn från åtta år och uppåt och av personer med fysiska, kognitiva eller mentala funktionshinder eller med bristande erfarenhet och kunskap, förutsatt att de har fått vägledning eller instruktioner om hur

man använder skaftdammsugaren på ett säkert sätt och förstår farorna. Barn får inte leka med skaftdammsugaren. Barn får inte rengöra eller utföra användarunderhåll utan uppsyn.

■ När du använder skaftdammsugaren ska du tänka på att hålla fingrar, hår och löst sittande kläder borta från öppningar och delar av maskinen som är i rörelse.

■ Använd inte skaftdammsugaren om den har tappats, skadats, sänkts ned i vatten eller lämnats utomhus.

■ Hantera inte laddningskontakten eller skaftdammsugaren med våta händer.

■ Använd inte skaftdammsugarens laddare om laddarens sladd eller kontakt är skadad.

■ Koppla inte ur laddaren genom att dra ut dess sladd.

Strömförsörjning

■ Ladda inte skaftdammsugaren utomhus, och lämna inte laddaren ansluten till elnätet när den inte används.

■ Använd inte fel laddare till skaftdammsugaren eftersom det kan orsaka produkt- eller personskada. Information om korrekt laddare anges på etiketten med märkspänningen.

■ Använd alltid den laddare som medföljer skaftdammsugaren. Om du använder en förlängningssladd när du laddar skaftdammsugaren får du endast använda en CE-godkänd sladd på 13 A. Icke-godkända förlängningssladdar kan bli överhettade. Du bör ha uppsikt över förlängningssladden eftersom man kan snubbla över den.

Borstvals



VARNING: Borstvalsens i golvmunstycket roterar konstant när dammsugaren är påslagen. Använd aldrig golvmunstycket på ett och samma område under en längre stund eftersom borstvalsens kan skada golvytan. Stäng alltid av golvmunstyckets borstvals när du rengör hårda golv. För att undvika permanenta skador bör du testa på en dold del av golvet först.



VIKTIGT: Om borstvalsens i golvmunstycket har blockerats kan det hända att borstvalsens motorskydssensor har aktiverats. Borstvalsens stannar och lampan på golvmunstycket lyser rött. För att återställa maskinen stänger du av borstvalsens och skaftdammsugaren, avlägsnar golvmunstycket från skaffet och avlägsnar eventuella föremål som sitter fast. Vänta en minut innan du monterar på golvmunstycket igen, slå på skaftdammsugaren och tryck på borstvalsens PÅ-/AV-knapp.

Förvaring

■ Förvara din skaftdammsugare på en sval och torr plats. När du har rengjort dammsugarens filter enligt instruktionerna i bruksanvisningen ska du försäkra dig om att de är helt torra innan du ställer undan dem. Denna skaftdammsugare kan inte stå för sig själv utan behöver konstant stöd. När den inte används lägger du den plant ner på golvet på en lämplig plats där du inte riskerar att snubbla över eller trampa på den.

Batteri och bortskaffning



VIKTIGT: Batteriet i denna maskin kan utgöra en brandrisk eller en risk för kemiska brännskador om det används felaktigt. Försök inte att plocka isär det, värm inte upp det över den maximala temperaturgräns som tillverkaren angivit (60 °C) och försök inte heller att förbränna det. Att använda ett annat batteri kan innebära en brand- eller explosionsrisk.

■ Batteriet måste tas ur dammsugaren innan du bortskaffar den, och det uttjanta batteriet måste omedelbart bortskaffas på ett säkert sätt. Håll utrustningen utom räckhåll för barn. Innan du bortskaffar maskinen ska du skydda exponerade anslutningar med kraftig isoleringstejp för att förebygga kortslutning. Batteriet ska bortskaffas på ett säkert sätt vid din lokala återvinningsstation som tar emot batterier.

■ Försök inte att plocka isär batteriet eller avlägsna några komponenter som skjuter ut från batterianslutningarna, och försök aldrig bränna upp batteriet. Batteriet och laddaren har inga komponenter som användaren kan utföra underhåll på. Att försöka utföra underhåll kan orsaka brand eller personskador.

■ Maskinen måste kopplas bort från elnätet före användning och innan batteriet avlägsnas vid bortskaffning. Om batteriet läcker ska du undvika kontakt med huden. Ring +800 2672 6677.

BEHÅLL BRUKSANVISNINGEN FÖR FRAMTIDA BRUK

Tack!

Vi är glada över att du har valt att köpa en Dirt Devil-produkt. Vi hoppas att du kommer att tycka om att använda denna maskin, och vi vill tacka dig för ditt köp.

Du finner mer information om din produkt i denna bruksanvisning och på vår webbplats: www.dirtdevil.de. På sidan 2 finns kontaktuppgifter till vår Dirt Devil-serviceavdelning.

Tekniska data

Urustningstyp	Sladdlös dammsugare
Modell	DD778,DD778 (-0/.../-9)
Laddningsbart batteri	Li-ion 32V
maximal driftstid	cirka 45 min
maximal laddningstid	cirka 4 timmar
Nätadapter	Ingång: 100–240 V ~, 1A Utgång: 34 V, 600 mA
Dammbehållarens kapacitet	0,3 l maxfyllnad, 0,6 l maxkapacitet
Effekt	234 W
Vikt	3,1 kg

Miljöskydd och bortskaffning

Om du vill bortskaffa produkten ska du först avlägsna det laddningsbara batteriet. Batteriet och produkten ska bortskaffas separat.



Själva produkten, det laddningsbara batteriet och nätadaptern får inte slängas i hushållssoporna.



Produkten, det laddningsbara batteriet och nätadaptern ska bortskaffas separat vid din lokala återvinningsanläggning.

Li-ion

Garanti

Om du har köpt produkten som konsument inom EU gäller den nationella lagstiftningen genomförd i enlighet med EU-direktivet 2011/83/EU som minimigaranti. I länder som inte ingår i EU gäller det enskilda landets minimigaranti. Detta gäller inte för batterier eller laddningsbara batterier som har blivit defekta eller som har en reducerad livslängd på grund av normalt slitage eller felaktig hantering.



Vi förbehåller oss rätten att göra ändringar beträffande tekniska specifikationer och designspecifikationer i syfte att göra kontinuerliga produktförbättringar.

© Royal Appliance International GmbH

LÄR KÄNNA PRODUKTEN

Fig. 1

- A. Bärhandtag
- B. Dammbehållare
- C. Dammtömningsknapp
- D. Filterlock och filter
- E. Dammbehållarens spärrhake
- F. Indikatorlampa för batterinivå
- G. Boost-knapp
- H. Borstvalsens PÅ-/AV-knapp
- I. PÅ-/AV-knapp
- J. Laddningsport
- K. Skaft
- L. Golvmunstycke
- M. Borstvals
- N. Laddare
- O. Väggfäste, 2 skruvar och väggpluggar
- P. Förvaringsfäste för fogmunstycke

Innehåll Fig. 2

- A. Fogmunstycke
- B. Dammborste

Uppackning och montering

1. Packa upp innehållet och kontrollera att samtliga delar medföljer. (Fig. 1 och 2).
2. Montera skaftet och golvmunstycket till handenheten. Du hör ett klickljud när de låses på plats (fig. 3).
3. Tryck in förvaringsfästet för fogmunstycket på nedre delen av skaftet och placera munstycket i fästet (fig. 4).

Montera väggfästet

1. Montera av skaftet och golvmunstycket från handenheten. Tryck sedan på väggfästet på skaftets övre, bakre del. (Fig. 5/1).
2. Välj en plats där skaftdammsugaren ska förvaras. Vi rekommenderar en plats nära ett eluttag, men inte direkt ovanför eller nedanför själv uttaget. Luta

golvmunstycket och skaftet mot väggen och se till att golvmunstycket vilar plant mot golvet.

3. Håll väggfästet stabilt mot väggen och använd en penna för att markera var de två skruvarna ska sitta. (fig. 5/2) Montera fästet på väggen med hjälp av skruvarna och pluggarna.
4. Laddarkabeln och dammborsten kan förvaras på väggfästet (fig. 6).
5. Montera ihop alla delar på skaftdammsugaren och tryck in den i väggfästet så att den sitter fast ordentligt. Försäkra dig alltid om att skaftdammsugaren sitter säkert på plats.

OBS: Den första laddningen tar fyra timmar. Du måste ladda upp produkten innan du kan börja använda den. Om batteriet inte är helt fulladdat innan det första användningstillfället kommer det inte att fungera optimalt. Batteriets livslängd varierar beroende på hur du använder skaftdammsugaren.

Ladda skaftdammsugaren

1. För att ladda skaftdammsugaren skjuter du in den på väggfästet så att den sitter fast ordentligt. Du kan även ladda den som handenhet. Montera av skaftet och munstyckena och placera enheten på en plan, stabil yta.
2. För in laddningsstiftet i laddningsporten (fig. 1/J) som sitter på handenhetens bärhandtag, och koppla in laddarkontakten i eluttaget.
3. Lamporna som visar batterinivån tänds när batteriet börjar laddas upp. Samtliga fyra lampor kommer att tändas (fig. 7/1 och 7/2) När produkten är färdigladdad släcks lamporna. När du laddar upp produkten för första gången är laddningstiden fyra timmar.

4. När skaftdammsugaren används tänds lamporna som visar batterinivån, och därmed ser du hur mycket batterikraft du har kvar. När batterinivån är mindre än 20 % blinkar den nedersta lampan rött vilket indikerar att du behöver ladda upp enheten (fig. 7/3).

Använda skaftdammsugaren



WARNING: Borstvalsen i golvmunstycket roterar konstant när det är påslaget.

Använd aldrig golvmunstycket på ett och samma område under en längre stund eftersom borstvalsen kan skada golvytan. Stäng alltid av golvmunstyckets borstvals när du rengör hårda golv. För att undvika permanenta skador bör du testa på en dold del av golvet först.



VIKTIGT: Om borstvalsen i golvmunstycket har blockerats kan det hända att

borstvalsens motorskydssensor har aktiverats. Borstvalsen slutar rotera och lampan på golvmunstycket lyser då rött (fig. 18). För att återställa maskinen stänger du av borstvalsen och skaftdammsugaren, avlägsnar golvmunstycket från skaftet och avlägsnar eventuella föremål som sitter fast. Vänta en minut innan du monterar på golvmunstycket igen, slå på skaftdammsugaren och tryck på borstvalsens PÅ-/AV-knapp.

1. Sätt en fot på golvmunstycket (fig. 8/1) och dra handtaget bakåt för att luta dammsugaren bakåt (fig. 8/2).

2. Tryck på PÅ-/AV-knappen på handtaget för att slå på skaftdammsugaren. (Fig. 9/1) På-/Av-knappen och lamporna som visar batterinivån på handtaget tänds (fig. 7/2).

3. För att öka sugeffekten på särskilt smutsiga områden kan du aktivera boost-funktionen (fig. 9/3).

4. För att koppla in borstvalsen trycker du på borstvalsens PÅ-/AV-knapp (fig. 9/2). Lampan på golvmunstycket och borstvalsens PÅ-/AV-lampa tänds när borstvalsen är på. Borstvalsen roterar då kontinuerligt. Tryck på borstvalsens PÅ-/AV-knapp igen för att stänga av borstvalsen.

OBS: Golvmunstyckets borstvals ska vara PÅ när du dammsuger mattor och AV när du dammsuger hårda golv. Om boost-läget och borstvalsen används konstant måste batteriet laddas oftare.

5. Alla tillbehör, inklusive golvmunstycket, kan monteras direkt på handenheten (fig. 10) eller på skaftet. Fogmunstycket och dammborsten kan användas för utrymmen som är svåra att nå och som befinner sig på olika höjder över golvet.

SKÖTSEL AV SKAFTDAMMSUGAREN



WARNING: Stäng alltid av skaftdammsugaren och koppla bort den från laddaren samt elnätet innan du utför underhåll eller felsökning.

Avlägsna och montera på dammbehållaren

1. Tryck ner spärrhaken på dammbehållaren (fig. 11/1) för att frigöra den, vinkla och lyft upp för att avlägsna behållaren från skaftdammsugaren (fig. 11/2).

OBS: Om locket till behållaren med separatorn har avlägsnats för rengöring måste du, före påmontering, se till att separatorn har monterats på igen och locket har låsts på plats (Fig. 13/1).

2. För att montera på behållaren igen placerar du dess anslutning i linje med skaftdammsugarens handtag. (Fig. 12/1) Tryck på dammbehållarens spärrhake (fig. 12/2) och tryck fast dammbehållaren på skaftdammsugaren.

Frigör dammbehållarens spärrhake för att låsa dammbehållaren på plats.

3. När enheten är korrekt monterad befinner sig samtliga tre anslutningspunkter i linje med varandra och i jämnhöjd (fig. 13).

Tömma dammbehållaren

1. Tryck ner spärrhaken på dammbehållaren (fig. 11/1) för att frigöra den, vinkla och lyft upp för att avlägsna behållaren från skaftdamsugaren (fig. 11/2).

2. Håll dammbehållaren över en sophink och tryck på dammtömningsknappen så att damm och smuts trillar ut. (Fig. 14/1 & 2).

3. För att stänga trycker du in dammtömningsluckan tills den låses på plats. (Fig. 14/3).



VIKTIGT: Låt inte dammbehållaren bli överfull så att den blockerar luftflödet genom skaftdamsugaren. Bäst resultat får du om du tömmer dammbehållaren efter varje användning. Skaka ur damsugarens filter över en sophink efter fyra till sex användningstillfällen för att avlägsna smuts och skräp. Tvätta dem var tredje månad. Damsugarens filter bör bytas ut efter sex till nio månader, beroende på hur mycket den används.

Rengöra filter och separator

1. Töm dammbehållaren (fig. 14).

2. Lyft upp stroppen på dammbehållarens lock (fig. 15/1 & 2). Lyft av filterlocket och separatorn från dammbehållaren (fig. 15/3).

3. Skaka ur separatorn över en sophink för att avlägsna damm och smuts, och torka av metallhöljet med en torr trasa (fig. 16/1).

4. Dra i fliken på filtret för att avlägsna det från separatorn (fig. 16/2). Knacka filtret mot sophinken för att avlägsna damm och smuts (fig. 16/3).

5. Tvätta filtret under rinnande vatten (max 40 °C) (Fig. 17). Låt det torka i minst 24 timmar, eller tills det är helt torrt, innan du sätter in det igen.

Rengöra och sätta tillbaka golvmunstyckets borstvals

1. Använd ett mynt för att trycka in och vrida borstvalsens lås moturs så att borstvalsen frigörs (fig. 19/1).

2. Dra ut borstvalsen från dess hölje (fig. 20/1).

3. För att avlägsna trådar eller hår använder du en sax och låter ena bladet glida in i borsvalsens spår. Avlägsna damm och smuts från ändhuvorna och från insidan av golvmunstyckets kåpa (fig. 21).

4. Sätt tillbaka borstvalsen (fig. 20/2) och vrid borstvalsens lås medurs för att låsa den (fig. 19/2).

Avlägsna och sätta tillbaka golvmunstyckets rem

1. Använd en kryssmejsel för att skruva ur de tre skruvarna och avlägsna kåpan (fig. 22/1).

2. Om remmen har gått sönder avlägsnar du den och rengör kuggarna. För att byta remmen hakar du den först över den lilla kuggen. Låt remmen sedan glida över ovan delen på den stora kuggen, och rotera sedan remmen samt kuggen moturs. Under den roterande rörelsen kommer remmen att glida på kuggen (fig. 22/2).

3. Sätt tillbaka remkåpan och dra åt skruvarna så att den sitter ordentligt fast.

Hitta tilltäppningar

1. Tryck på lossningsknappen på handenheten och ta av skaftet. Kontrollera om det finns damm eller smuts på handenhetens anslutningspunkt och på inloppet till dammbehållaren. Avlägsna smuts och damm. (Fig. 23/1).

2. Kontrollera om det finns tilltäppningar i golvmunstycket, och använd ett trubbigt föremål för att avlägsna dem. (Fig. 23/2).

3. För att testa om det finns tilltäppningar i skaftröret släpper du en liten pappersboll i röret och kontrollerar att den trillar igenom. Om bollen trillar igenom är röret inte blockerat. Använd ett kvastskäft eller ett liknande trubbigt föremål för att ta bort tilltäppningar (fig. 23/3).

TILLBEHÖR OCH RESERVDELAR

Besök oss på Internet på:

www.dirtdevil.de

På vår webbplats hittar du ett stort utbud av reservdelar och tillbehör samt praktiska tips och trick som rör din Dirt-Devil-produkt.

FELSÖKNING

Ett tillbehör saknas

Kontrollera innehållet (fig. 2).

Varför saknar skaftdammsugaren ström?

- Skaftdammsugaren kan behöva laddas upp. Gå till **Ladda skaftdammsugaren**.
- Motorns termostat kan ha slagits från. Töm dammbehållaren och hitta eventuella tilltäppningar. Rengör skaftdammsugarens filter och låt den svalna under cirka 1 timme. Om du har tvättat dammsugarens filter väntar du 24 timmar så att de torkar ordentligt innan du sätter tillbaka dem på skaftdammsugaren.

Varför suger skaftdammsugaren inte upp smutsen?

- Dammbehållaren är kanske inte korrekt monterad. Gå till **Avlägsna och montera på dammbehållaren igen**.
- Dammbehållaren kan vara tilltäppt. Hitta eventuella tilltäppningar i smutsbehållaren och handenhetens inlopp. Gå till **Tömma dammbehållaren**.
- Dammsugarens filter kan vara igensatta. Gå till **Rengöra filter och separator**.
- Det kan finnas tilltäppningar. Gå till **Hitta tilltäppningar**.
- Borstvalsen i golvmunstycket är inte aktiverad. Gå till **Använda skaftdammsugaren**.
- Golvmunstycket kan vara tilltäppt. Gå till **Rengöra och sätta tillbaka golvmunstyckets borstvals**.
- Skaftdammsugaren, golvmunstycket och skaftet kanske inte är korrekt monterade. Gå till **Uppackning och montering**.

Varför lyser en lampa rött på enheten?

- Låg batterinivå (<20 %). Gå till **Ladda skaftdammsugaren**.

Varför lyser en lampa rött på golvmunstycket?

- Golvmunstyckets borstvals är blockerad. Gå till **Rengöra och sätta tillbaka golvmunstyckets borstvals**.

Varför rör inte golvmunstycket på sig?

- Borstvalsen i golvmunstycket är inte aktiverad. Gå till **Använda skaftdammsugaren**.
- Munstycket/borstvalsen kan vara blockerad. Gå till **Rengöra och sätta tillbaka golvmunstyckets borstvals**.
- Skaftdammsugaren, golvmunstycket och skaftet kanske inte är korrekt monterade. Gå till **Uppackning och montering**.
- Remmen i munstycket kan vara sönder. Gå till **Avlägsna och sätta tillbaka golvmunstyckets rem**.

Innan du kontaktar vår Dirt Devil-kundserviceavdelning eller skickar produkten till kundserviceavdelningen rekommenderar vi att du läser informationen som finns på servicesidan på vår webbplats. Där hittar du mycket information som kan hjälpa dig att lösa problemet själv.
www.dirtdevil.de/service

SIKKERHEDSINFORMATION

Om denne brugervejledning

Læs denne brugervejledning helt, inden du bruger maskinen. Opbevar denne brugervejledning som reference. Hvis du afhænder din maskine til tredjepart, skal denne brugervejledning følge med. Manglende overholdelse af denne brugervejledning kan medføre alvorlige personskader eller beskadigelse af maskinen. Vi påtager os intet ansvar for skader som følge af manglende overholdelse af denne brugervejledning. Vigtige oplysninger, der ikke er medtaget i dette kapitel, er angivet som følger:



ADVARSEL: Advarer om sundhedsfarer og identificerer mulige risici for personskader.



FORSIGTIGT: Angiver mulige farer for maskinen eller andre genstande.

BEMÆRK Fremhæver tips og oplysninger.

Generel brug

Denne stangstøvsuger er kun beregnet til brug i hjemmet og IKKE til erhvervsbrug eller industriel brug.

- Stangstøvsugeren må kun anvendes indendørs, og området, du rengør, skal være godt oplyst.
- Du må ikke suge hårde eller skarpe genstande op som f.eks. glas, søm, skruer, mønter o.l.
- Du må ikke suge varme gløder, cigaretskodder, tændstikker eller genstande, der brænder eller ryger, op.
- Du må ikke anvende den i et område, der er vådt, eller hvor der kan være skadelige væsker (klor, blegemiddel og ammoniakafløbsrensere).
- Forsøg ikke at fjerne blokeringer forårsaget

af skarpe objekter fordi det kan skade stangstøvsugeren.

- Kun opladere, værktøj og tilbehør, der anbefales af Dirt Devil, bør anvendes sammen med stangstøvsugeren. Kontroller altid før brug, at gulvmundstykke og tilbehør er fri for skade, snavs og brokker.
- Sluk altid stangstøvsugeren, eller tag stikket ud af opladeren, inden der udføres vedligeholdelse. Se venligst det relevante afsnit i brugervejledningen for at gennemgå de nødvendige forholdsregler.
- Sørg altid for, at separatoren og filtrene er monteret korrekt, inden du bruger stangstøvsugeren.
- Sørg for at alle åbninger er rene og fjern rester fordi det kan påvirke lufttilførslen/sugeevnen.
- Vær ekstra forsigtig, når du bruger stangstøvsugeren på trapper.



ADVARSEL: Sluk altid stangstøvsugeren, og tag stikket ud af opladeren og lysnettet før udførelse af vedligeholdelse eller fejlfinding.



FORSIGTIGT: Overfyld ikke støvbeholderen for at undgå at blokere luft- strømmen gennem stangstøvsugeren. For de bedste rengøringsresultater skal du tømme støvbeholderen efter hver brug. Filtre skal bankes ud over en affaldsspand efter hver 4.-6. anvendelse for at fjerne snavs og vaskes hver 3. måned. Filtre bør udskiftes hver 6.-9. måned, afhængigt af anvendelsesniveauet.

Sikkerhed

- Stangstøvsugeren kan bruges af børn fra 8 år og derover og personer med nedsat fysiske, sensoriske

eller mentale evner eller med manglende erfaring og viden, hvis de gives en introduktion til brugen eller anden instruktion vedrørende sikker brug og forståelse for farerne involveret med brugen. Børn må ikke lege med stangstøvsugeren. Rengørings- og vedligeholdelse igennem bruger må ikke udføres af børn uden at de er under opsyn.

■ Hold fingrene, håret og løstsiddende tøj væk fra de dele af stangstøvsugeren, som er i bevægelse, samt fra åbninger når stangstøvsugeren er i brug.

■ Brug ikke stangstøvsugeren, hvis du har tabt den, den er beskadiget eller har stået udendørs.

■ Ingen betjening af opladerstikket eller stangstøvsugeren med våde hænder.

■ Brug ikke stangstøvsugerens oplader, hvis opladerkablet eller stikket er beskadiget.

■ Du må ikke afbryde opladeren ved at trække opladerkablet.

Strømforsyning

■ Opladeren må ikke oplades udendørs, og opladeren må heller ikke være tilsluttet lysnettet, når den ikke er i brug.

■ Brug ikke stangstøvsugeren med en ukorrekt oplader, idet det kan forårsage skader eller kvæste brugeren. De korrekte opladeroplysninger er vist på mærkningsetiketten.

■ Brug altid opladeren, der følger med stangstøvsugeren. Hvis stangstøvsugeren oplades gennem en forlængerledning, skal du altid bruge CE-godkendte 13amp forlængerledninger. Ikke-godkendte forlængerledninger kan overophedes. Der skal tages højde for, hvordan du ligger ledningen under brug af maskinen så du ikke falder over den.

Børstestang



ADVARSEL: Børstestangen roterer

konstant i det eldrevne mundstykke, når den er tændt. Brug aldrig det eldrevne hoved på et sted i længere tid ad gangen, da børstestangen kan beskadige gulvfladen. Sluk altid for strømmen i det eldrevne mundstykkets børstestand ved rengøringen af hårde gulve. For at undgå, at der opstår skade, skal du først prøve på et ikke iøjnefaldende område af gulvet.



FORSIGTIGT: Hvis børstestangen i det

eldrevne hoved er blevet blokeret, Kan børstestangens motorbeskyttelsesføler være blevet aktiveret. Børstestangen stopper, og lyset på det eldrevne mundstykke lyser rødt. For at nulstille slukkes børstestangen og stangstøvsugeren, det eldrevne mundstykke fjernes fra røret/den håndholdte enhed og eventuelle tilstopninger fjernes. Vent 1 minut, inden du sætter det eldrevne mundstykke på igen, tænd stangstøvsugeren, og tryk på børstestangens tænd/sluk-knap.

Opbevaring

■ Stangstøvsugeren skal opbevares et køligt, tørt sted. Hvis filtre er blevet rensset i henhold til instruktionerne i brugervejledningen, skal du sikre, at de er blevet grundigt tørre, før de gemmes væk. Denne stangstøvsuger holder sig ikke oprejst uden konstant støtte. Mellem brug skal den ligge fladt på gulvet på et passende sted, så den ikke bliver en snubelfare eller kan trædes på.

Batteri og bortskaffelse



FORSIGTIG: Batteriet, der bruges i denne enhed, kan udgøre en fare for brand eller ætsning, hvis det behandles ukorrekt. Det må hverken skilles ad eller opvarme til over fabrikantens maksimale temperaturgrænse (60 °C/140 °F) eller brændes. Brug af et andet batteri kan udgøre en risiko for brand eller eksplosion.

- Batteriet skal fjernes fra apparatet før bortskaffelse, og det brugte batteri skal bortskaffes sikkert og hurtigt. Hold det uden for børns rækkevidde. Før bortskaffelse skal du beskytte eksponerede klemrækker med kraftigt tape for at forhindre en kortslutning. Batteriet skal bortskaffes sikkert via dit lokale batterigenbrugscenter.
- Forsøg ikke at adskille batteriet, fjerne en komponent fra batteriterminalerne eller smid det på ilden. Batteriet og opladeren har ingen dele, der kan serviceres. Det kan føre til brand eller personskader.
- Apparatet skal afbrydes fra strømforsyningen, før det bruges, eller når batteriet fjernes før bortskaffelsen. I tilfælde af batterilækage undgå kontakt med huden, og ring til +800 2672 6677.

GEM DENNE BRUGERVEJLEDNING TIL SENERE BRUG

Tak!

Vi er glade for, at du har besluttet dig for at købe et Dirt Devil produkt. Vi håber, du får fornøjelse af at bruge dit apparat, og vil gerne takke for købet.

Du finder yderligere oplysninger om dit produkt i denne brugsanvisning og på vores hjemmeside, www.dirtdevil.com. For at kontakte vores Dirt Devil serviceafdeling henvises til kontaktoplysningerne på side 2.

Tekniske data

Type af apparat	Trådløs støvsuger
Model	DD778, DD778 (-0/.../-9)
Genopladeligt batteri	Li-ion 32V
maks. driftstid	ca. 45 min
maks. opladningsvarighed	ca. 4 timer
Netadapter	Input: 100 – 240 V ~, 1A Output: 34 V, 600 mA
Støvopsamlerens kapacitet	0,3 l maks. fyldning, 0,6l maks. kap
Energiforbrug	234 W
Vægt	3,1 kg

Miljøbeskyttelse og bortskaffelse

Hvis du ønsker at bortskaffe apparatet, skal du fjerne det genopladelige batteri og bortskaffe det genopladelige batteri og apparatet separat.



Bortskaf ikke apparatet, det genopladelige batteri eller netadapteren med husholdningsaffaldet.



Bortskaf apparatet, det genopladelige batteri og netadapteren separat på de relevante opsamlingspunkter.

Li-ion

Garanti

Hvis du har købt apparatet som forbruger inden for EU, gælder den respektive nationale lovgivning som implementeret i henhold til EU-direktiv 2011/83 / EU som minimumsgarantiniveau. I tredjelande gælder minimumsgarantikravene i det pågældende land. Dette gælder ikke batterier eller genopladelige batterier, som er blevet defekte eller har en reduceret levetid som følge af normalt slid eller ukorrekt håndtering.



Vi forbeholder os ret til at foretage ændringer i de tekniske og designspecifikationer i forbindelse med kontinuerlig produktforbedring.

© Royal Appliance International GmbH

KEND DIN MASKINE

Fig. 1

- A. Bærehåndtag
- B. Støvbeholder
- C. Smudsfrigørelsesknappen
- D. Filterdæksel og filter
- E. Fastgørelseslåse til støvbeholder
- F. Batteriniveauindikatorlampe
- G. Boost-knap
- H. Børstestang tænd/slukknap
- I. Tænd/slukknap
- J. Opladningsport
- K. Forlængelsesstang
- L. Eldrevet mundstykke
- M. Børstestang
- N. Oplader
- O. Vægmontering, 2 skruer og rawlplugs
- P. Opbevaringsbeholder for sprækkeværktøj

Indhold fig. 2

- A. Sprækkeværktøj B. Støvborste

Udpakning og montering

1. Udpak indholdet, og kontroller, at det er komplet. (Fig. 1 og 2).
2. Fastgør forlængelsesstangen og det eldrevne mundstykke til den håndholdte enhed. De klikker, når de er låst på plads (fig. 3).
3. Skub sprækkeværktøjets opbevaringsbeholder på bunden af forlængelsesstangen, og luk værktøjet på plads (fig. 4).

Fastgørelse af vægmonteringen

1. Tryk vægbeslaget på toppen og bagsiden af forlængelsesstangen uden at den håndholdte enhed sidder på forlængelsesstangen og det eldrevne mundstykke. (Fig. 5/1).
2. Vælg et opbevaringssted for stangstøvsugeren, helst tæt på, men ikke direkte over eller under en stikkontakt. Læn stangstøvsugerens eldrevne

mundstykke og stang mod væggen, og sørg for at det eldrevne mundstykke står fladt på gulvet.

3. Hold vægbeslaget mod væggen, brug en blyant til at lave et lille mærke for hver skrue. (Fig. 5/2) Brug skrue og rawlpluggene til at fastgøre vægbeslaget på væggen.
4. Opladerledningen og støvbørsten kan monteres på vægbeslaget (fig. 6).
5. Fuldt stangstøvsugeren helt, og tryk stangstøvsugeren godt ind i vægbeslaget, så den sidder fast. Sørg altid for, at stangstøvsugeren er låst på plads.

Opladning af stangstøvsugeren

BEMÆRK Den oprindelige opladning er 4 timer, og opladning er påkrævet inden første brug. Hvis batteriet ikke oplades fuldt ud inden første brug, kan det medføre dårlig batteriydelse. Batteriets levetid varierer afhængigt af brugen af stangstøvsugeren.

1. For at oplade stangstøvsugeren fastgør stangstøvsugeren i vægbeslaget. Du kan også oplade den som en håndholdt enhed. Tag stangstøvsugeren af forlængelsesstangen og værktøjet, og læg den på en plan, stabil overflade.
2. Sæt opladeren i opladningsporten (fig. 1/J) på den håndholdte enheds håndtag, og sæt opladerkontakten i stikkontakten.
3. Batteriindikatorlamperne tændes én efter én, mens batteriet oplades, indtil alle fire lamper lyser (Fig. 7/1 og 7/2) Når batteriet er fuldt opladet, slukkes lamperne. Ved første opladning er opladningstiden 4 timer.
4. Når stangstøvsugeren bruges, lyser batteriindikatorlamperne og angiver, hvor meget opladning der er tilbage. Når der er mindre end 20 % opladning tilbage, blinker bundlampen rødt,

hvilket angiver, at batteriet er ved at være dødt og har brug for opladning (fig. 7/3).

Brugen af stangstøvsugeren



ADVARSEL: Børstestangen roterer i det drevne hoved når den er tændt. Brug aldrig det eldrevne hoved på et sted i længere tid ad gangen, da børstestangen kan beskadige gulvfladen. Sluk altid for strømmen i det eldrevne mundstykkets børstestand ved rengøringen af hårde gulve. For at undgå, at der opstår skade, skal du først prøve på et ikke iøjnefaldende område af gulvet.



FORSIGTIGT: Hvis børstestangen i det eldrevne hoved er blevet blokeret, kan børstestangens motorbeskyttelsesføler være blevet aktiveret. Børstestangen stopper, og lyset på det eldrevne mundstykke lyser rødt (fig. 18). For at nulstille slukkes børstestangen og stangstøvsugeren, det eldrevne mundstykke fjernes fra røret/den håndholdte enhed og eventuelle tilstopninger fjernes. Vent 1 minut, inden du sætter det eldrevne mundstykke på igen, tænd stangstøvsugeren, og tryk på børstestangens tænd/sluk-knap.

1. Placer din fod på det eldrevne mundstykke (fig. 8/1), og træk håndtaget baglæns for at sætte det fast (fig. 8/2).

2. For at tænde stangstøvsugeren tryk på tænd/slukknappen på håndtaget. (Fig. 9/1) Tænd/slukknappen og batteriindikatorlamperne på håndtaget tændes (fig. 7/2).

3. For at øge sugningen i særligt tilsmudsede områder, der kræver ekstra rengøring, kan boost-tilstanden aktiveres (fig. 9/3).

4. For at tænde børstestangen skal du trykke på børstestangens tænd/sluk-knap (fig. 9/2). Lyset på det eldrevne mundstykke og børstestangens tænd/sluklampe tændes, når børstestangen er tændt, og børstestangen roterer konstant. Tryk igen på børstestangens tænd/slukknop for at slukke for børstestangen.

BEMÆRK: Den eldrevne mundstykkets børstestang bør være tændt for tæpper og slukket for hårde gulve. Konstant brug af boost-funktionen og børstestangen vil reducere batteridriftstiden.

5. Alt tilbehør, herunder det eldrevne mundstykke, kan tilsluttes direkte til den håndholdte enhed (fig. 10) eller forlængelsesstangen. Sprækkeværktøjet og støvbørsten kan bruges til at nå vanskelige steder og i forskellige højder til rengøring over gulvhøjde.

VEDLIGEHOLDELSE AF STANGSTØVSUGEREN



ADVARSEL: Sluk altid stangstøvsugeren, og tag stikket ud af opladeren og lysnettet før udførelse af vedligeholdelse eller fejlfinding.

Fjernelse og genmontering af støvbeholderen

1. Skub låsen på støvbeholderen (fig. 11/1) for at frigøre, vippe og løfte støvbeholderen fra stangstøvsugeren (fig. 11/2).

BEMÆRK: Hvis beholderens låg blev fjernet sammen med separatoren for at blive rengjort, kontroller da før påsætningen at separatoren er blevet monteret igen, og at låget er låst på plads (fig. 13/1).

2. For at sætte den tilbage, skal støvbeholderen flugte med stangstøvsugerens håndtag. (Fig. 12/1) Tryk støvbeholderens udløserknap (fig. 12/2), og skub støvbeholderen op på stangstøvsugeren. Frigiv støvbeholderens lås for at låse støvbeholderen på plads.
3. Når de er korrekt monteret, vil alle 3 forbindelsespunkter være justeret og flugte (fig. 13).

Tømning af støvbeholderen

1. Skub låsen på støvbeholderen ned (fig. 11/1) for at frigøre, vippe og løfte støvbeholderen af stangstøvsugeren (fig. 11/2).
2. Hold støvbeholderen ud over en affaldsspand, og tryk på støvudløserknappen, så støv og snavs kan falde ud. (Fig. 14/1 og 2).
3. Luk ved at skubbe til støvlågen, indtil den låses på plads (Fig. 14/3).



FORSIGTIGT: Overfyld ikke støvbeholderen for at undgå at blokere luftstrømmen gennem stangstøvsugeren. For de bedste rengøringsresultater skal du tømme støvbeholderen efter hver brug. Filtre skal bankes ud over en affaldsspand efter hver 4.-6. anvendelse for at fjerne snavs og vaskes hver 3. måned. Filtre bør udskiftes hver 6.-9. måned, afhængigt af anvendelsesniveauet.

Rengøring af filter og separator

1. Tømning af støvbeholderen (fig. 14).
2. Løft ringen på støvbeholderdækslet (fig. 15/1 og 2). Løft filterdækslet og separatoren af støvbeholderen (fig. 15/3).

3. Bank på separatoren over en affaldsspand for at fjerne støv og snavs, og tør metalvævet af med en tør klud (fig. 16/1).
4. Træk i fligen på filteret for at fjerne det fra separatoren (fig. 16/2). Bank filteret mod affaldsspanden for at fjerne støv og snavs (fig. 16/3).
5. Vask filteret under rindende vand (maks. 40 °C) (fig. 17). Lad det tørre i mindst 24 timer eller indtil det er helt tørt, inden du sætter det tilbage.

Rengøring og påsætning af det ældre mundstykkets børstestang

1. Ved hjælp af en mønt skal du trykke og dreje børstestangens lås mod uret for at løsne børstestangen (fig. 19/1).
2. Træk børstestangen ud af børstehuset (fig. 20/1).
3. For at fjerne eventuelle tråde eller hår føres en saks ind i rillen på børsten, og der klippes langs rillen. Fjern eventuelt støv/affald fra endedækslerne og inde i det ældre mundstykkets hus (fig. 21).
4. Sæt børstestangen (fig. 20/2) på igen, og drej børstestangens lås med uret for at låse den (fig. 19/2).

Fjernelse og udskiftning af det ældre mundstykkets rem

1. Skru de 3 skruer ud med en krydskærvsskruetrækker, og fjern skærmen (fig. 22/1).
2. Hvis remmen er knækket, skal du fjerne den gamle rem og rense eventuelt snavs fra tandhjulene. For at udskifte remmen skal du først lægge remmen over det lille tandhjul. Skub remmen over toppen af det store tandhjul, og drej remmen og tandhjulet mod uret. Under omdrejning vil remmen glide op på tandhjulet (fig. 22/2).

3. Sæt remskærmen på igen, og stram skruerne for at fastgøre det.

Kontrol for blokeringer

1. Tryk på den håndholdte enheds udløserknop, og fjern forlængelsesstangen. Kontroller og fjern eventuelt støv og snavs fra den håndholdte enheds tilslutningspunkt og spandens åbning. (Fig. 23/1).

2. Kontroller det drevne mundstykke for eventuelle blokeringer, og brug et stump objekt til at fjerne blokeringen. (Fig. 23/2).

3. For at teste for en blokering i forlængelsesstangen skal du kaste en lille papirkugle ned i stangen. Hvis papiret falder igennem, er stangen tom. Brug et kosterkaft eller lignende stump objekt for at fjerne eventuelle blokeringer (fig. 23/3).

TILBEHØR OG RESERVEDELE

Besøg os på internettet på:

www.dirtdevil.de

På vores websted finder du et stort udvalg af reserve- og tilbehørsdele samt praktiske tips og tips til dit Dirt-Devil-produkt.

FEJLFINDING

Der mangler tilbehør.

Kontroller indholdet (fig. 2).

Hvorfor har min stangstøvsuger ingen strøm?

■ Stangstøvsugeren skal muligvis genoplades.

Gå til **Opladning af stangstøvsugeren**

■ Motorens termostat er måske blevet udløst.

Tøm støvbeholderen, og kontroller for blokeringer.

Rengør filtrene, og lad stangstøvsugeren afkøle i ca. 1 time. Hvis du har vasket filtrene, skal du vente 24 timer, før de er helt tørre, inden du sætter dem tilbage på stangstøvsugeren.

Hvorfor suger stangstøvsugeren intet op?

■ Støvbeholderen er måske ikke monteret korrekt. Gå til **Fjernelse og genmontering af støvbeholderen**.

■ Støvbeholderen kan være blokeret.

Kontroller støvbeholderen og indgangen for den håndholdte enhed til blokering. Gå til **Tømning af støvbeholderen**.

■ Filtrene er måske tilstoppede. Gå til **Rengøring af filter og separator**.

■ Der kan være en blokering. Gå til **Kontrol for blokeringer**.

■ Børstestangen i det eldrevne hoved er ikke aktiveret. Gå til **Brug af stangstøvsugeren**

■ Det eldrevne mundstykke kan være blokeret. Gå til **Rengøring og påsætning af den eldrevne mundstykke-børstestang**.

■ Stangstøvsugeren, det eldrevne mundstykke og forlængelsesstangen er måske ikke monteret korrekt. Gå til **Udpakning og montering**.

Hvorfor er der et rødt lys på enheden?

■ Batteriladningen løber lavt (<20%).

Gå til **Opladning af stangstøvsugeren**

Hvorfor er der et rødt lys på det eldrevne mundstykke?

■ Det eldrevne mundstykkets børstestang er blevet blokeret. Gå til **Rengøring og påsætning af det eldrevne mundstykkets børstestang**.

Hvorfor kan det eldrevne mundstykke ikke drejes?

■ Børstestangen i det eldrevne hoved er ikke aktiveret. Gå til **Brug af stangstøvsugeren**

■ Værktøjet/børstestangen kan være blokeret. Gå til **Rengøring og påsætning af det eldrevne mundstykkets børstestang**.

■ Stangstøvsugeren, det eldrevne mundstykke og forlængelsesstangen er måske ikke monteret korrekt. Gå til **Udpakning og montering**.

■ Remmen er måske knækket. Gå til **Fjernelse og udskiftning af det eldrevne mundstykkets rem**.

Inden du kontakter Dirt Devils kundeserviceafdeling eller sender apparatet til Dirt Devils kundeserviceafdeling, finder du mange yderligere oplysninger i serviceområdet på vores hjemmeside, som vil hjælpe dig med at løse problemer.

www.dirtdevil.de/service

BEZPEČNOSTNÉ INFORMÁCIE

O tomto návode na obsluhu

Pred používaním zariadenia si najskôr prečítajte celý tento návod na obsluhu. Uchovajte si tento návod na obsluhu na neskoršie použitie. Ak svoje zariadenie postúpite inému používateľovi, musíte k nemu pripojiť aj tento návod na obsluhu. Pri nedodržaní pokynov uvedených v tomto návode na obsluhu môže dôjsť k závažným zraneniam alebo poškodeniu zariadenia. Za škody spôsobené nedodržaním pokynov v tomto návode na obsluhu nepreberáme žiadnu záruku. Dôležité informácie neuvedené v tejto kapitole sú označené nasledovne:



VÝSTRAHA: Upozorňuje na ohrozenie zdravia a označuje možné riziká zranenia.



POZOR: Označuje možné riziká pre zariadenie alebo iné predmety.

UPOZORNENIE Označuje rady a informácie.

Všeobecný účel použitia

Tento tyčový vysávač je určený výlučne na používanie v domácnosti a NIE na komerčné ani priemyselné účely.

- Tyčový vysávač používajte iba v interiéri na suchých povrchoch a pri dostatočnom osvetlení.
- Nevysávajte pomocou zariadenia tvrdé ani ostré predmety, ako je sklo, klince, skrutky, mince a pod.
- Nevysávajte horúce uhličky, cigaretové ohorky, zápalky ani predmety, ktoré horia alebo tlejú.
- Nepoužívajte zariadenie v mokrých oblastiach ani v oblastiach s výskytom škodlivých tekutín (chlór, bielicidlo a amoniakový čistič odtokov).
- Nepokúšajte sa odstrániť upchanie pomocou ostrých predmetov, pretože by mohlo dôjsť k poškodeniu tyčového vysávača.
- S týmto tyčovým vysávačom sa smie používať iba odporúčaná nabíjačka, náradie a

príslušenstvo značky Dirt Devil. Pred používaním vždy skontrolujte, či je nadstavec na podlahy a príslušenstvo v bezchybnom stave a neobsahuje špinu a nečistoty.

- Pred vykonaním údržby vždy najskôr vypnite tyčový vysávač a odpojte ho od nabíjačky. Potrebné bezpečnostné opatrenia si naštudujte v príslušnej kapitole návodu na obsluhu.
- Pred používaním tyčového vysávača vždy skontrolujte, či je správne vložený odlučovač a filtre.
- Všetky otvory udržiavajte voľne priechodné a čisté, v opačnom prípade by mohlo dôjsť k narušeniu prúdenia vzduchu/nasávania.
- Buďte mimoriadne opatrní pri používaní tyčového vysávača na schodoch.



VÝSTRAHA: Vždy vypnite tyčový vysávač a odpojte ho od nabíjačky a elektrickej siete pred vykonávaním údržby alebo odstraňovaním porúch.



POZOR: Nádobu na nečistoty nenechajte nadmerne naplniť, aby ste predišli upchaniu prúdenia vzduchu cez tyčový vysávač. Na dosiahnutie najlepších výsledkov vyprázdňte nádobu na nečistoty po každom použití. Filtre je potrebné po každých 4 – 6 použitiach vyčistiť od špiny a nečistôt poklepaním nad odpadkovým košom a raz za 3 mesiace opláchnuť vodou. V závislosti od používania je potrebné vymeniť filtre každých 6 – 9 mesiacov.

Bezpečnosť

- Tento tyčový vysávač môžu používať deti staršie ako 8 rokov a osoby so zníženými fyzickými, zmyslovými alebo mentálnymi schopnosťami alebo s nedostatkom skúseností a vedomostí iba prípade, ak sú pod dozorom a boli poučené o bezpečnom používaní tyčového vysávača a sú im jasné všetky s tým spojené riziká. Deti nesmú tyčový vysávač používať ako hračku.

Deti bez dozoru nesmú vykonávať čistenie ani údržbu spotrebiča.

- Počas používania tyčového vysávača udržiajte prsty, vlasy a voľné oblečenie v bezpečnej vzdialenosti od pohybujúcich sa dielov a otvorov.
- Nepoužívajte tento tyčový vysávač, ak spadol, je poškodený, bol ponorený do vody alebo ponechaný vonku.
- Nedotýkajte sa nabíjacej zástrčky a nepoužívajte tyčový vysávač mokrymi rukami.
- Nepoužívajte nabíjačku tyčového vysávača, ak je poškodený nabíjací kábel alebo zástrčka.
- Nabíjačku neodpájajte ťahaním za nabíjací kábel.

Elektrické napájanie

- Tyčový vysávač nenabíjajte vonku a ak sa nabíjačka nepoužíva, nenechávajte ju pripojenú k elektrickej sieti.
- Tyčový vysávač nepoužívajte s nesprávnou nabíjačkou, pretože by tým mohlo dôjsť k poškodeniu zariadenia alebo zraneniu používateľa. Informácie o správnej nabíjačke sú uvedené na výkonovom štítku.
- Vždy používajte nabíjačku dodanú s tyčovým vysávačom. Ak tyčový vysávač nabíjate prostredníctvom predlžovacieho kábla, používajte iba 13 amp predlžovacie káble certifikované podľa CE, pretože necertifikované predlžovacie káble sa môžu prehrievať. Predlžovací kábel je potrebné viesť opatrne, aby nehrozilo riziko zakopnutia.

Kefový nástavec



VÝSTRAHA: Kefový nástavec v poháňanom podlahovom nastavci sa neustále otáča, keď je spotrebič zapnutý. Nikdy nepoužívajte poháňaný nástavec dlhší čas na jednom mieste, pretože kefový nástavec by mohol poškodiť podlahu. Pri čistení tvrdých podláh vždy vypnite kefový nástavec v poháňanom nastavci. Aby ste predišli trvalému poškodeniu podlahy, najskôr vyskúšajte nástavec v menej nápadnej oblasti podlahy.



POZOR: Ak sa kefový nástavec v poháňanom nastavci zasekne, môže sa aktivovať snímač na ochranu motora kefového nástavca. Kefový nástavec sa zastaví a svetelná kontrolka na poháňanom nastavci sa rozsvieti načerveno. Na odstránenie problému najskôr vypnite kefový nástavec aj tyčový vysávač, odpojte poháňaný nástavec od trubicového nástavca/ručnej jednotky a odstráňte zaseknutie. Pred opätovným pripojením poháňaného nastavca počkajte 1 minútu, zapnite tyčový vysávač a stlačte vypínač kefového nástavca.

Uskladnenie

- Tyčový vysávač skladujte na chladnom a suchom mieste. Po vyčistení filtrov podľa pokynov v návode na obsluhu ich pred odložením nechajte dôkladne vysušiť. Tento tyčový vysávač nedokáže pevne stáť v kolmej polohe bez trvalej podpory. Medzi použitiami ho položte na podlahu na také miesto, kde nebude predstavovať riziko zakopnutia ani naň nikto nestúpi.

Batéria a likvidácia



POZOR: Batéria použitá v tomto zariadení môže v prípade nesprávneho používania spôsobiť požiar alebo popáleniny chemickými látkami. Nerozoberajte ju, nezahrievajte na teplotu vyššiu, ako je maximálny limit stanovený výrobcom (60 °C/140 °F) ani ju nevhadzujte do ohňa. Pri použití inej batérie hrozí riziko požiaru alebo výbuchu.

- Pred likvidáciou sa musí zo spotrebiča vybrať batéria a použitá batéria sa musí bezpečne a bezodkladne zlikvidovať. Uchovávajte mimo dosahu detí. Pred likvidáciou zakryte voľne dostupné póly batérie hrubou izolačnou páskou, aby nedošlo k skratu. Batéria sa musí bezpečne zlikvidovať v miestnom stredisku na recykláciu batérií.
- Nepokúšajte sa batériu rozoberať, odstrániť akúkoľvek súčasť trčiacu z pólov batérie a nevhadzujte batériu do ohňa. Batéria ani nabíjačka neobsahujú žiadne diely, ktoré by mohol opraviť používateľ. Mohlo by dôjsť k požiaru alebo zraneniu.
- Pred používaním alebo vybratím batérie pred likvidáciou sa musí spotrebič odpojiť od elektrickej siete. Ak dôjde k vytečeniu batérie, zabráňte styku s pokožkou a zavolajte na číslo +800 2672 6677.

TIETO POKYNY SI USCHOVAJTE PRE PRÍPAD POTREBY V BUDÚCNOSTI

Ďakujeme!

Sme veľmi radi, že ste sa rozhodli zakúpiť si výrobok značky Dirt Devil. Dúfame, že bude pre vás používanie tohto spotrebiča príjemné a ďakujeme vám za prejavenu dôveru.

Ďalšie informácie o výrobku nájdete v tomto návode na obsluhu a na našej webovej stránke www.dirtdevil.de. Ak bude potrebné kontaktovať servisné oddelenie spoločnosti Dirt Devil, kontaktné údaje sú uvedené na str. 2.

Technické údaje

Typ spotrebiča	Akumulátorový vysávač
Model	DD778, DD778 (-0/.../-9)
Nabíjateľný akumulátor	Lítium-iónový 32 V
Max. doba prevádzky	Pribl. 45 min
Max. doba nabíjania	Pribl. 4 hodiny
Sieťový adaptér	Vstup: 100 – 240 V ~, 1 A Výstup: 34 V, 600 mA
Kapacita nádoby na nečistoty	0,3 l max. naplnenie, 0,6 l max. kapacita
Výkon	234 W
Hmotnosť	3,1 kg

Ochrana životného prostredia a likvidácia

Ak chcete spotrebič zlikvidovať, odstráňte z neho nabíjateľný akumulátor a potom samostatne zlikvidujte nabíjateľný akumulátor a spotrebič.



Spotrebič, nabíjateľný akumulátor ani sieťový adaptér nevyhadzujte spolu s odpadom z domácnosti.



Spotrebič, nabíjateľný akumulátor a sieťový adaptér zlikvidujte separovane na príslušných zberných miestach.

Lítium-iónový

Záruka

Ak ste spotrebič zakúpili ako spotrebiteľ v rámci Európskej únie, vzťahujú sa naň minimálne záručné štandardy podľa príslušnej národnej legislatívy zavedenej v súlade so smernicou EÚ 2011/83/EÚ. V štátoch mimo EÚ platia minimálne záručné požiadavky platné v príslušnej krajine. To neplatí pre batérie ani nabíjateľné akumulátory, pri ktorých došlo k poruche alebo skráteniu prevádzkovej životnosti v dôsledku bežného opotrebovania alebo nesprávneho zaobchádzania.



Vyhradujeme si právo na vykonávanie zmien technických a konštrukčných parametrov v rámci neustáleho zdokonaľovania výrobku.

© Royal Appliance International GmbH

PREHĽAD SÚČASTÍ ZARIADENIA

Obr. 1

- A. Držadlo
- B. Nádoba na nečistoty
- C. Tlačidlo na vysypanie nečistôt
- D. Kryt filtra a filter
- E. Poistka na uvoľnenie nádoby na nečistoty
- F. Svetelný ukazovateľ nabitia akumulátora
- G. Tlačidlo zvýšenia sacieho výkonu
- H. Vypínač kefového nástavca
- I. Vypínač
- J. Nabíjací konektor
- K. Trubicový nástavec
- L. Poháňaný nadstavec
- M. Kefový nástavec
- N. Nabíjačka
- O. Nástenný držiak, 2 skrutky a príchytky do steny
- P. Držiak na odkladanie štrbinového nadstavca

Obsah obr. 2

- A. Štrbinový nadstavec
- B. Prachová kefka

Rozbalenie a zostavenie

1. Vybalte obsah balenia a skontrolujte jeho úplnosť. (Obr. 1 a 2).
2. Pripojte trubicový nástavec a poháňaný nadstavec k ručnej jednotke. Pri zaistení v správnej polohe budete počuť cvaknutie (obr. 3).
3. Na spodnú časť trubicového nástavca nasadte držiak na odkladanie štrbinového nadstavca a zasuňte doň nástroj (obr. 4).

Montáž nástenného držiaka

1. Keď je ručná jednotka odpojená od trubicového nástavca a poháňaného nadstavca, zatlačte nástenný držiak na vrchnú a zadnú časť trubicového nástavca. (obr. 5 /1).
2. Vyberte miesto, kde chcete odkladať tyčový vysávač, ideálne v blízkosti zdroja elektrického napájania, no nie priamo nad ani pod elektrickou zásuvkou. Poháňaný nadstavec a trubicu tyčového vysávača oprite o stenu tak, aby bol nadstavec rovno položený na podlahe.

3. Nástenný držiak pevne pridržte na stene a pomocou ceruzky označte miesto otvoru pre každú zo skrutiek. (Obr. 5 /2) Pomocou skrutiek a príchytiek namontujte nástenný držiak na stenu.

4. Nabíjací kábel a prachovú kefku je možné prichytiť na nástenný držiak (obr. 6).

5. Poskladajte tyčový vysávač a pevným zatlačením do nástenného držiaka upevnite tyčový vysávač na stenu. Vždy skontrolujte, či je tyčový vysávač pevne zaistený v držiaku.

UPOZORNENIE Prvé nabíjanie trvá 4 hodiny a pred prvým použitím je potrebné nabiť akumulátor. Ak pred prvým použitím akumulátor úplne nenabijete, môže sa znížiť výkon akumulátora. Dĺžka prevádzkovej životnosti akumulátora sa líši v závislosti od spôsobu používania tyčového vysávača.

Nabíjanie tyčového vysávača

1. Ak chcete tyčový vysávač nabíjať, najskôr ho bezpečne vložte do nástenného držiaka. Môžete ho nabíjať aj prostredníctvom ručnej jednotky – od tyčového vysávača odpojte trubicový nástavec a nástroje a potom ho položte na rovný a stabilný povrch.
2. Nabíjací kábel pripojte k nabíjacíemu konektoru (obr. 1 /J), ktorý sa nachádza na držadle ručnej jednotky, a nabíjaciu zástrčku pripojte do elektrickej siete.
3. Počas nabíjania sa budú postupne rozsvetovať svetelné ukazovatele nabitia akumulátora, až kým nebudú svietiť všetky štyri svetelné ukazovatele (obr. 7 /1 a 7 /2) Po úplnom nabití svetelné ukazovatele zhasnú. Pri úplne prvom nabíjaní trvá nabitie 4 hodiny.
4. Počas používania tyčového vysávača budú svetelné ukazovatele nabitia akumulátora signalizovať zostávajúcu kapacitu nabitia. Keď kapacita nabitia klesne pod 20 %, spodný svetelný ukazovateľ bude blikať načerveno, čím signalizuje,

že sa akumulátor vybíja a je potrebné ho nabiť (obr. 7/3).

Používanie tyčového vysávača



VÝSTRAHA: Kefový nástavec v poháňanom podlahovom nastavci sa neustále otáča, keď je spotrebič zapnutý. Nikdy nepoužívajte poháňaný nástavec dlhší čas na jednom mieste, pretože kefový nástavec by mohol poškodiť podlahu. Pri čistení tvrdých podláh vždy vypnite kefový nástavec v poháňanom nastavci. Aby ste predišli trvalému poškodeniu podlahy, najskôr vyskúšajte nástavec v menej nápadnej oblasti podlahy.



POZOR: Ak sa kefový nástavec v poháňanom nastavci zasekne, môže sa aktivovať snímač na ochranu motora kefového nástavca. Kefový nástavec sa zastaví a svetelná kontrolka na poháňanom nastavci sa rozsvieti načerveno (obr. 18). Na odstránenie problému najskôr vypnite kefový nástavec aj tyčový vysávač, odpojte poháňaný nástavec od trubicového nástavca/ručnej jednotky a odstráňte zaseknutie. Pred opätovným pripojením poháňaného nastavca počkajte 1 minútu, zapnite tyčový vysávač a stlačte vypínač kefového nástavca.

1. Položte nohu na poháňaný nástavec (obr. 8/1) a potiahnutím dozadu zakloňte rukoväť (obr. 8/2).
2. Stlačením vypínača na rukoväti zapnite tyčový vysávač. (Obr. 9/1) Tlačidlo vypínača a svetelné ukazovatele úrovne nabitia akumulátora sa rozsvietia (obr. 7/2).
3. Ak je potrebné zvýšiť saciu silu na povysávanie veľmi znečistených miest, je možné aktivovať prídavný režim zvýšenia sacieho výkonu (obr. 9/3).
4. Ak chcete zapnúť kefový nástavec, stlačte vypínač kefového nástavca (obr. 9/2). Keď je kefový nástavec zapnutý a neustále sa otáča, bude svietiť

svetelný ukazovateľ na poháňanom nastavci a ukazovateľ zapnutia kefového nástavca. Kefový nástavec vypnete opätovným stlačením jeho vypínača.

UPOZORNENIE: Pri čistení kobercov by mal byť kefový nástavec v poháňanom nastavci ZAPNUTÝ a pri čistení tvrdých podláh ZASA VYPNUTÝ. Súvislé používanie režimu zvýšenia sacieho výkonu a kefového nástavca skráti dobu chodu akumulátora.

5. Všetko príslušenstvo vrátane poháňaného nastavca je možné pripojiť buď priamo k ručnej jednotke (obr. 10), alebo k trubicovému nastavcu. Štrbinový nástavec a prachovú kefkú je možné používať na čistenie ťažko dostupných, ako aj vyššie položených miest nachádzajúcich sa nad podlahou.

ÚDRŽBA TYČOVÉHO VYSÁVAČA



VÝSTRAHA: Vždy vypnite tyčový vysávač a odpojte ho od nabíjačky a elektrickej siete pred vykonávaním údržby alebo odstraňovaním porúch.

Vybratie a vloženie nádoby na nečistoty

1. Stlačením poistky na nádobe na nečistoty (obr. 11/1) nádobu uvoľníte a potom ju naklonením a zdvihnutím vyberte z tyčového vysávača (obr. 11/2).

UPOZORNENIE: Ak ste odstránili veko nádoby s odlučovačom na vyčistenie, pred opätovnou montážou sa uistite, že je odlučovač vložený späť a veko je zaistené v správnej polohe (obr. 13/1).

2. Pri opätovnom vložení zarovnajte prípojku nádoby na nečistoty s rukoväťou tyčového vysávača. (Obr. 12/1) Stlačte poistku na uvoľnenie nádoby na nečistoty (obr. 12/2) a zatlačením vložte nádobu späť do tyčového vysávača.

Uvoľnením poistky zaistíte nádobu na nečistoty v správnej polohe.

3. Pri správnom vložení musia byť všetky 3 prípojné body zarovnané a presne dosadať (obr. 13).

Vyprázdnenie nádoby na nečistoty

1. Stlačením poistky na nádobu na nečistoty (obr. 11/1) uvoľníte nádobu na nečistoty, potom ju naklonením a zdvihnutím vyberte z tyčového vysávača (obr. 11/2).

2. Nádobu na nečistoty podržte nad košom a stlačením tlačidla na vysypanie nečistôt nechajte špinu vypadnúť do koša. (Obr. 14/1 a 2).

3. Ak ju chcete zatvoriť, zatlačte dvierka na vysýpanie nečistôt, až kým sa nezaistia. (Obr. 14/3).



POZOR: Nádobu na nečistoty nenechajte nadmerne naplniť, aby ste predišli upchaniu prúdenia vzduchu cez tyčový vysávač. Na dosiahnutie najlepších výsledkov vyprázdňte nádobu na nečistoty po každom použití. Filtre je potrebné po každých 4 – 6 použitíach vyčistiť od špiny a nečistôt poklepaním nad odpadkovým košom a raz za 3 mesiace opláchnuť vodou. V závislosti od používania je potrebné vymeniť filtre každých 6 – 9 mesiacov.

Vyčistenie filtra a odľučovača

1. Vyprázdňte nádobu na nečistoty (obr. 14).

2. Nadvihnite západku na vekú nádobu na nečistoty (obr. 15/ 1 a 2). Nadvihnutím vyberte kryt filtra a odľučovač z nádoby na nečistoty (obr. 15/3).

3. Poklepaním nad odpadkovým košom odstráňte z odľučovača špinu a nečistoty a jeho kovové puzdro utrite suchou handrou (obr. 16/1).

4. Potiahnutím západky na filtri ho odstráňte z odľučovača (obr. 16/2). Poklepaním filtra o stenu odpadkového koša odstráňte z filtra špinu a nečistoty (obr. 16/3).

5. Filter opláchnite pod tečúcou vodou (max. 40 °C) (obr. 17). Pred vložení späť nechajte filter sušiť aspoň 24 hod alebo dotedy, kým nie je úplne suchý.

Vyčistenie a výmena kefového nástavca v poháňanom nadstavci

1. Pomocou mince zatlačte a otočte poistkou kefového nástavca smerom doľava, čím uvoľníte kefový nástavec (obr. 19/1).

2. Kefový nástavec vyťahnite z puzdra nástavca (obr. 20/1).

3. Ak chcete z nástavca odstrániť namotané vlákna alebo vlasy, zasuňte do drážky kefového nástavca čepel' nožnic a prestrihnite ich. Z koncoviek a puzdra poháňaného nadstavca odstráňte prípadné nečistoty/špinu (obr. 21).

4. Kefový nástavec vložte späť (obr. 20/2) a otočením poistky smerom doprava zaistíte kefový nástavec v puzdre (obr. 19/2).

Demontáž a spätná montáž remeňa poháňaného nadstavca

1. Pomocou krížového skrutkovača odskrutkujte 3 skrutky a demontujte kryt (obr. 22/1).

2. Ak je remeň poškodený, vyberte ho a z ozubených koliesok odstráňte všetky nečistoty. Pri spätnej montáži remeň najskôr založte na malé ozubené koliesko. Remeň nasuňte na veľké ozubené koliesko a otočte remeňom a kolieskom smerom doľava. Počas otáčania remeň zapadne do ozubenia na koliesku (obr. 22/2).

3. Znova nasadte kryt remeňa a pevne dotiahnite skrutky.

Kontrola upchania

1. Stlačte tlačidlo na uvoľnenie ručnej jednotky a odpojte trubicový nástavec. Skontrolujte, či nie sú v bode pripojenia ručnej jednotky a vstupnom otvore do nádoby usadené nečistoty a v prípade potreby ich odstráňte. (Obr. 23/1).

2. Skontrolujte, či nie je upchaný poháňaný nástavec a prípadné upchanie odstráňte pomocou tupého predmetu. (Obr. 23/2).

3. Ak chcete skontrolovať, či nie je upchaný trubicový nástavec, vhodte doň zvrchu guľôčku papiera. Ak je nástavec voľne priechodný, guľôčka z neho vypadne. Ak je trubica upchaná, uvoľnite ju rúčkou od metly alebo podobným predmetom (obr. 23/3).

PRÍSLUŠENSTVO A NÁHRADNÉ DIELY

Navštívte nás na internete na:

www.dirtdevil.de

Na našej webovej stránke nájdete veľký výber náhradných dielov & príslušenstva, ako aj praktické tipy & triky ku vášmu produktu Dirt Devil.

RIEŠENIE PROBLÉMOV

Chýba príslušenstvo

Skontrolujte obsah balenia (obr. 2).

Prečo nefunguje napájanie tyčového vysávača?

■ Môže byť potrebné nabiť akumulátor tyčového vysávača. Prejdite na kapitolu **Nabíjanie tyčového vysávača**.

■ Mohla sa aktivovať tepelná poistka motora. Vyprázdnite nádobu na nečistoty a skontrolujte, či nie je upchaná. Vyčistite filtre a nechajte tyčový vysávač približne 1 hodinu vychladnúť. Ak ste opláchlili filtre vodou, pred ich spätným vložením do vysávača počkajte 24 hodín, aby úplne vyschli.

Prečo tyčový vysávač nevysáva nečistoty?

■ Môže byť nesprávne vložená nádoba na nečistoty. Prejdite na kapitolu **Vybratie a vloženie nádoby na nečistoty**.

■ Nádoba na nečistoty môže byť upchaná. Skontrolujte, či nie je upchaná nádoba na nečistoty a vstupný otvor do ručnej jednotky. Prejdite na kapitolu **Vyprázdnenie nádoby na nečistoty**.

■ Môžu byť zanesené filtre. Prejdite na kapitolu **Vyčistenie filtra a odlučovača**.

■ Zariadenie môže byť upchané. Prejdite na kapitolu **Kontrola upchania**.

■ Kefový nástavec v poháňanom nadstavci sa nespustil. Prejdite na kapitolu **Používanie tyčového vysávača**.

■ Poháňaný nadstavec môže byť zaseknutý. Prejdite na kapitolu **Vyčistenie a výmena kefového nástavca v poháňanom nadstavci**.

■ Tyčový vysávač, poháňaný nadstavec a trubicový nástavec môžu byť nesprávne zostavené. Prejdite na kapitolu **Rozbalenie a zostavenie**.

Prečo na jednotke svieti červené svetlo?

■ Kapacita nabitia akumulátora je nízka (< 20 %). Prejdite na kapitolu **Nabíjanie tyčového vysávača**.

Prečo na poháňanom nadstavci svieti červené svetlo?

■ Kefový nástavec v poháňanom nadstavci sa zasekol. Prejdite na kapitolu **Vyčistenie a výmena kefového nástavca v poháňanom nadstavci**.

Prečo sa neotáča poháňaný nadstavec?

■ Kefový nástavec v poháňanom nadstavci sa nespustil. Prejdite na kapitolu **Používanie tyčového vysávača**.

■ Nástroj/kefový nástavec môže byť zaseknutý. Prejdite na kapitolu **Vyčistenie a výmena kefového nástavca v poháňanom nadstavci**.

■ Tyčový vysávač, poháňaný nadstavec a trubicový nástavec môžu byť nesprávne zostavené. Prejdite na kapitolu **Rozbalenie a zostavenie**.

■ Môže byť pretrhnutý remeň v nástroji. Prejdite na kapitolu **Demontáž a spätná montáž remeňa poháňaného nadstavca**.

Pred kontaktovaním oddelenia služieb zákazníkom spoločnosti Dirt Devil alebo zaslaním spotrebiča do oddelenia služieb zákazníkom spoločnosti Dirt Devil si pozrite ďalšie užitočné informácie v servisnej oblasti na našej webovej stránke, ktoré vám pomôžu vyriešiť prípadné problémy.

www.dirtdevil.de/service

SIKKERHETSINFORMASJON

Om denne bruksanvisningen

Les hele bruksanvisningen før du bruker maskinen. Ta vare på den til senere bruk. Hvis du overlater maskinen til andre, må bruksanvisningen følge med. Unnlattelse av å følge bruksanvisningen kan føre til alvorlige skader eller skade på maskinen. Vi påtar oss intet ansvar for skader som skyldes at bruksanvisningen ikke er fulgt. Viktig informasjon som ikke omhandles i dette kapitlet, angis slik:



ADVARSEL: Varsler om helsefare og identifiserer ulykkesrisiko.



FORSIKTIG: Indikerer mulig fare for maskinen eller andre objekter.

MERK Fremhever tips og informasjon.

Bruksområde

Denne støvsugeren er kun beregnet for bruk i hjemmet og IKKE for kommersiell eller industriell bruk.

- Støvsugeren må bare brukes innendørs på tørre flater. Sørg for at området er godt opplyst.
- Unngå å støvsuge harde eller skarpe objekter slik som glass, spikre, skruer mynter osv.
- Ikke støvsug glør, sigarettneiper, fyrstikker eller objekter som brenner eller ryker.
- Må ikke brukes i våte områder eller der det kan være farlige væsker (avløpsrenser med klor eller amoniakk).
- Du må ikke forsøke å fjerne blokkeringer med skarpe objekter. Dette kan skade støvsugeren.

■ Bruk kun lader, verktøy og tilbehør anbefalt av Dirt Devil sammen med støvsugeren, og sjekk alltid at munnstykket og tilbehør ikke er skadet, tilsmusset eller tilstoppet før bruk.

■ Du må alltid slå av eller trekke ut ledningen fra laderen til støvsugeren før det utføres vedlikehold. Se aktuelt kapittel i bruksanvisninger for nødvendige forholdsregler.

■ Påse alltid at utskiller og filter er satt inn korrekt før bruk av støvsugeren.

■ Sørg for at det ikke er noe som tetter til åpningene og stenger for luftgjennomstrømningen.

■ Vær ekstra forsiktig når støvsugeren brukes i trapper.



ADVARSEL: Slå alltid av støvsugeren og koble fra laderen og nettkontakten før det utføres vedlikehold eller feilsøking.



FORSIKTIG: Beholderen må ikke overfylles. Dette kan blokkere luftstrømmen gjennom støvsugeren. For best mulig rengjøringsresultater bør beholderen tømmes hver gang etter bruk. Filtrene dunkes over en søppelbøtte når støvsugeren er brukt 4-6 ganger for å fjerne skitt og smuss og vaskes hver 3. måned. Filtrene bør skiftes ut etter 6-9 måneder, avhengig av bruk.

Sikkerhet

■ Støvsugeren kan brukes av barn over åtte år og personer med fysisk eller mentalt handikapp eller med manglende erfaring og kunnskap hvis de har fått opplæring i bruk av støvsugeren på en trygg måte og forstår risikoene. Barn må ikke leke med støvsugeren.

Rengjøring og vedlikehold må ikke utføres av barn uten tilsyn.

- Hold fingre, hår og løstsittende klær unna bevegelige deler og åpninger når du bruker støvsugeren.
- Ikke bruk støvsugeren hvis den har falt i gulvet, er skadet, har ligget i vann eller har stått utendørs.
- Ikke håndter laderpluggen eller bruk støvsugeren hvis du er våt på hendene.
- Ikke bruk støvsugeren hvis laderledningen eller -pluggen er skadet.
- Ikke trekk i laderledningen når du kobler fra laderen.

Strømtilførsel

- Ikke lad støvsugeren utendørs, eller la laderen være tilkoblet nettstrøm når den ikke er i bruk.
- Ikke bruk støvsugeren med feil lader. Dette kan forårsake skade på eiendom eller brukeren. Korrekt ladeinformasjon er oppført på merkeplaten.
- Bruk alltid laderen som følger med støvsugeren. Hvis den lades via skjøteledning, må det bare benyttes CE-merket, 13 amp skjøteledning. Andre skjøteledninger kan bli overopphetet. Legg skjøteledningen slik at ingen snubler i den.

Børstevalse



ADVARSEL: Børstevalsen i munnstykket roterer kontinuerlig når den er slått på.

La aldri munnstykket være lenge på ett punkt. Da kan børstevalsen skade gulvoverflaten. Slå alltid av børstevalsen i munnstykket ved rengjøring av harde gulv. For å hindre at det oppstår skader, test på et lite iøynefallende område av gulvet først.



FORSIKTIG: Hvis børstevalsen i munnstykket har blitt tilstoppet,

kan beskyttelsessensoren på børstevalsemotoren ha blitt aktivert. Børstevalsen stopper og lampen på munnstykket lyser rødt. For å tilbake stille, slå av børstevalsen og støvsugeren, ta av munnstykket fra skaftet/håndholdt del og fjern hindringen. Vent ett minutt før du setter på munnstykket igjen, slå på støvsugeren og trykk inn PÅ/AV-knappen på børstevalsen.

Oppbevaring

- Oppbevar støvsugeren tørt og kjølig. Etter at filterne er rengjort i henhold til bruksanvisningen, må de være fullstendig tørre før de legges vekk. Denne støvsugeren står ikke oppreist av seg selv. Når den ikke brukes, legges den flatt ned et sted ingen kan snuble over den.

Batteri og avhending



FORSIKTIG: Batteriet som brukes i dette apparatet kan utgjøre en brannfare eller gi kjemisk brannskade hvis det mishandles. Må ikke demonteres eller varmes opp over produsentens maks. temperaturgrense (60 °C/140 °F) eller forbrennes. Bruk av annet batteri kan gi risiko for brann eller eksplosjon.

■ Batteriet må fjernes fra apparatet for det avhendes, og de brukte batteriene deponeres på forskriftsmessig måte. Oppbevares utilgjengelig for barn. Før avhending må eksponerte terminaler beskyttes med kraftig isoleringsteip for å unngå kortslutning. Batteriet skal avhendes etter lokale forskrifter.

■ Du må ikke forsøke å demontere batteriet, fjerne komponenter som stikker ut fra batteriterminalene eller brenne det. Batteriet og laderen har ingen deler brukeren kan reparere selv. Dette kan forårsake brann eller skade.

■ Apparatet må frakobles nettstrøm før bruk eller når batteriet fjernes før avhending. Ved batterilekkasje, unngå kontakt med øyne og hud. Ring +800 2672 6677.

OPPBEVAR BRUKSANVISNINGEN TIL SENERE BRUK

Takk!

Vi er glad for at du valgte å kjøpe Dirt Devil-produkt. Vi håper du blir fornøyd med apparatet. Du finner mer informasjon om produktet i denne brukerveiledningen og på vår nettside www.dirtdevil.de. For å kontakte Dirt Devils serviceavdeling, se kontaktopplysningene på side 2.

Tekniske data

Type apparat	Batteridrevet støvsuger
Modell	DD778, DD778 (-0/.../-9)
Oppladbart batteri	Li-ion 32V
maks. driftstid	ca. 45 min
maks. ladetid	ca. 4 timer
Nettadapter	Inngang: 100 – 240 V ~, 1 A Utgang: 34 V, 600 mA
Kapasitet på støvoppsamler	0,3 l maks. oppfylling, 0,6 l maks. kap.
Effekt	234 W
Vekt	3,1 kg

Miljøvern og avhending

Hvis du ønsker å avhende apparatet, fjern det oppladbare batteriet og deponer det og apparatet hver for seg.



Du må ikke kaste apparatet, det oppladbare batteriet og nettadapteren sammen med husholdsavfallet.



Deponer apparatet, det oppladbare batteriet og nettadapteren hver for seg på relevante oppsamlingspunktene.

Li-ion

Garanti

Hvis du har kjøpt apparatet som forbruker i EU, gjelder de respektive nasjonale lovgivningene i henhold til EU-direktiv 2011/83/EU som minste garantistandard. I land utenfor EU gjelder minimumsgarantikravene i de respektive landene. Dette gjelder ikke batterier eller oppladbare batterier som har sviktet eller har redusert levetid som følge av vanlig slitasje eller ukorrekt håndtering.



Vi reserverer oss retten til å endre tekniske og designmessige spesifikasjoner med henblikk på kontinuerlige produktforbedringer.
© Royal Appliance International GmbH

BLI KJENT MED APPARATET

Fig. 1

- A. Bærehåndtak
- B. Beholder
- C. Tømmeknapp
- D. Filterdeksel og filter
- E. Utløserklaff for beholder
- F. Lampe for batterinivå
- G. Boost-knapp
- H. Børstevalse PÅ/AV-knapp
- I. PÅ/AV-knapp
- J. Ladeport
- K. Skaft
- L. Munnstykke
- M. Børstevalse
- N. Lader
- O. Veggfeste, 2 skruer og veggplugg
- P. Holder til fugemunnstykke

Innhold Fig. 2

- A. Fugemunnstykke
- B. Støvbørste

Utpakking og montering

1. Pakk ut innholdet og sjekk at det er komplett. (Fig. 1 og 2).
2. Fest skaftet og munnstykket til den håndholdte delen. Det kan høres et klikk når de låses på plass (Fig. 3).
3. Sett holderen til fugemunnstykket nederst på skaftet og skyv den på plass (Fig. 4).

Montere veggfestet

1. Før den håndholdte delen er festet til skaftet og munnstykket, skyver du inn veggbraketten øverst og bak på skaftet. (Fig. 5/1).
2. Velg stedet der støvsugeren skal oppbevares, helst nær en stikkontakt, men ikke rett over eller under. Plasser munnstykket og skaftet til

støvsugeren mot veggen. Pass på at munnstykket ligger flatt mot gulvet.

3. Hold veggbraketten stødig mot veggen og lag et merke med blyant for hver skrue. (Fig. 5/2) Bruk skruene og veggpluggene for å feste veggbraketten til veggen.
4. Laderledningen og støvbørsten kan festes i veggbraketten (Fig. 6).
5. Sett sammen hele støvsugeren og fest den godt inn i veggbraketten. Pass alltid på at støvsugeren sitter godt på plass.

Lade støvsugeren

MERK Den første ladingen tar 4 timer, og lading er nødvendig før første gangs bruk. Hvis ikke batteriet lades fullt opp før første gangs bruk, kan det føre til dårlig batteriytelse. Forventet levetid for batteriet vil variere avhengig av hvor mye støvsugeren brukes.

1. Sett støvsugeren godt på plass i veggbraketten. Du kan også lade som en håndholdt enhet; koble støvsugeren fra skaftet og tilbehøret, og legg den på et flatt, stabilt underlag.
2. Koble laderledningen til laderporten (Fig. 1/J) på bærehåndtaket til den håndholdte delen og sett laderpluggen i en stikkontakt.
3. Lampen for batteriladenivå lyser etter hverandre mens batteriet lades. Til slutt lyser alle fire lampene (Fig. 7/1 og 7/2). Når batteriet er fulladet, slukkes lampene. Ved første gangs lading er ladetiden 4 timer.
4. Når støvsugeren er i bruk, vil lampen for batteriladenivå lyse for å indikere gjenværende lading. Når det er mindre enn 20 % lading igjen, vil den nedre lampen blinke rødt for å indikere at batteriet er svakt og trenger lading (Fig. 7/3).

Bruke støvsugeren



ADVARSEL: Børstevalsen i munnstykket roterer kontinuerlig når den er slått på.

La aldri munnstykket bli værende lenge på ett sted. Da kan børstevalsen skade gulvoverflaten. Slå alltid av børstevalsen i munnstykket når du rengjør harde gulv. For å hindre at det oppstår skader, test på et lite iøynefallende område av gulvet først.



FORSIKTIG: Hvis børstevalsen i munnstykket har blitt tilstoppet, kan beskyttelsessensoren på børsevalsemotoren ha blitt aktivert. Børstevalsen stopper og lampen på munnstykket lyser rødt (Fig. 18). For å tilbake stille, slå av børstevalsen og støvsugeren, ta av munnstykket fra skaftet/håndholdt del og fjern hindringen. Vent ett minutt før du setter på munnstykket igjen, slå på støvsugeren og trykk inn PÅ/AV-knappen på børstevalsen.

1. Plasser foten din på munnstykket (Fig. 8/1) og trekk håndtaket bakover (Fig. 8/2).
2. Slå på støvsugeren ved å trykke inn PÅ/AV-knappen som sitter på håndtaket. (Fig. 9/1) PÅ/AV-knappen og batterinivålampene på håndtaket lyser (Fig. 7/2).
3. For økt sugekraft på særlig skitne områder kan man aktivere en ekstra kraftig sugemodus (Fig. 9/3).
4. Slå på børstevalsen ved å trykke inn PÅ/AV-knappen (Fig. 9/2). Lampen på munnstykket og børstevalsens PÅ/AV-lampe lyser når børstevalsen er på, og børstevalsen roterer kontinuerlig. Trykk

inn PÅ/AV-knappen til børstevalsen igjen for å slå den av.

MERK Børstevalsen skal være PÅ for tepper og AV for harde gulv. Kontinuerlig bruk av ekstra kraftig modus og børstevalsen vil redusere batteriets levetid.

5. Alle tilbehørsenheter, inkludert munnstykket, kan festes rett på den håndholdte delen (Fig. 10) eller skaftet. Fugemunnstykket og støvbørsten kan brukes på vanskelig tilgjengelige steder og i ulike høyder over gulvet.

VEDLIKEHOLDE STØVSUGEREN



ADVARSEL: Slå alltid av støvsugeren og koble fra laderen og nettkontakten før det utføres vedlikehold eller feilsøking.

Ta av og sette på beholderen

1. Skyv ned klaffen til beholderen (Fig. 11/1) for å løse ut og fjerne beholderen fra støvsugeren (Fig. 11/2).

MERK: Hvis beholderdekslet med utskiller har vært fjernet for rengjøring, må det først påses at utskilleren er satt på plass og dekslet er låst på plass (Fig. 13/1).

2. Når den skal settes på igjen, stiller du inn beholderen mot håndtaket på støvsugeren. (Fig. 12/1) Trykk inn utløserklaffen på beholderen (Fig. 12/2) og skyv beholderen inn på støvsugeren. Frigjør beholderklaffen for å låse beholderen på plass.
3. Når den sitter korrekt, skal alle tre koblingspunkter stå overfor hverandre og være i flukt (Fig. 13).

Tømme beholderen

1. Skyv ned klaffen til beholderen (Fig. 11/1) for å frigjøre den og fjern den fra støvsugeren (Fig. 11/2).
2. Hold beholderen over en søppelbøtte og trykk inn utløserknappen for å tømme innholdet (Fig. 14/1 & 2).
3. Skyv inn døren til den klikker på plass (Fig. 14/3).



FORSIKTIG: Beholderen må ikke overfylles. Dette kan blokkere luftstrømmen gjennom støvsugeren. For best mulig rengjøringsresultater bør beholderen tømmes hver gang etter bruk. Filtrene dunkes over en søppelbøtte når støvsugeren er brukt 4-6 ganger for å fjerne skitt og smuss og vaskes hver 3. måned. Filtrene bør skiftes ut etter 6-9 måneder, avhengig av bruk.

Rengjøre filter og utskiller

1. Tøm beholderen (Fig. 14).
2. Trekk opp klaffen på beholderlokket (Fig. 15/1 og 2) og ta ut dekslet og utskilleren fra beholderen (Fig. 15/3).
3. Dunk utskilleren over en søppelbøtte for å fjerne smuss og partikler, og tørk over metalldekslet med en tørr klut (Fig. 16/1).
4. Trekk i filterklaffen for å fjerne det fra utskilleren (Fig. 16/2). Dunk filteret mot søppelbøtten for å fjerne smuss og partikler (Fig. 16/3).

5. Vask filteret under rennende vann (maks. 40 °C) (Fig. 17). La det tørke minst 24 timer eller til det er fullstendig tørt før det settes inn igjen.

Rengjøre og sette inn børstevalsen i munnstykket

1. Bruk en mynt til å trykke inn og vri børstevalselåsen mot klokken for å frigjøre børstevalsen (Fig. 19/1).
2. Trekk den ut fra børstevalsheuset (Fig. 20/1).
3. For å fjerne tråder eller hår, skyver du bladet på en saks inn i sporet på børstevalsen og klipper langs sporet. Fjern smuss/partikler fra endestykkene og inne i munnstykkehuset (Fig. 21).
4. Sett inn børstevalsen igjen (Fig. 20/2) og vri den med klokken for å låse den på plass (Fig. 19/2).

Fjerne og sette inn munnstykkebeltet

1. Bruk en stjerneskrutrekker for å skru opp de tre skruene og ta av dekslet (Fig. 22/1).
2. Hvis beltet har røket, tar du ut det gamle beltet og fjerner eventuelle partikler fra hjulene. Sett på beltet ved først å feste det over det lille hjulet. Trekk beltet over toppen på det store hjulet, og roter beltet og hjulet mot klokken. Under roteringen vil beltet smette på plass på hjulet (Fig. 22/2).
3. Sett beltedekslet på igjen og skru til skruene.

Se etter blokkeringer

1. Trykk inn utløserknappen på den håndholdte delen og fjern skaftet. Se etter og fjern eventuelt smuss og partikler fra åpningen til den håndholdte delen og til beholderen. (Fig. 23/1).
2. Sjekk om det er blokkeringer i munnstykket, og bruk en stump gjenstand for å fjerne blokkeringen. (Fig. 23/2).
3. Test om det er blokkeringer i skaftet ved å slippe en liten papirball gjennom det. Papirballen faller gjennom hvis det ikke er blokkeringer. Bruk et kosterkaft eller lignende stump gjenstand for å fjerne eventuell blokkering (Fig. 23/3).

TILBEHØR OG RESERVEDELER

Besøk oss på internett under:

www.dirtdevil.de

På nettsiden vår finner du et stort utvalg av reservedeler og tilbehør, pluss praktiske tips og råd om ditt Dirt-Devil-produkt.

FEILSØKING

En tilbehørsenhet mangler

Sjekk innholdet (Fig. 2).

Hvorfor er det ikke strøm på støvsugeren?

■ Støvsugeren må kanskje lades.

■ Gå til **Lade støvsugeren**.

■ Termostaten i motoren kan være utkoblet. Tøm beholderen og se etter blokkeringer. Rengjør filtrene og la støvsugeren kjøles ned i ca. 1 time. Hvis du har vasket filtrene, la dem tørke i 24 timer før de settes tilbake i støvsugeren.

Hvorfor vil ikke støvsugeren suge?

■ Beholderen er kanskje ikke korrekt satt inn.

■ Gå til **Ta ut og sette inn beholderen**.

■ Beholderen kan være blokkert. Sjekk beholderen og innløpet til den håndholdte delen for blokkeringer. Gå til **Tømme beholderen**.

■ Filtrene kan være tilstoppet. Gå til **Rengjøre filter og utskiller**.

■ Det kan være en blokkering. Gå til **Se etter blokkeringer**.

■ Børstevalsen i munnstykket har ikke blitt aktivert. Gå til **Bruke støvsugeren**.

■ Munnstykket kan være blokkert. Gå til **Rengjøre og sette inn børstevalsen i munnstykket**.

■ Støvsugeren, munnstykket og skaftet er kanskje ikke riktig festet. Gå til **Pakke ut og montere**.

Hvorfor er det et rødt lys på enheten?

■ Batteriladingen begynner å bli svak (<20 %).

■ Gå til **Lade støvsugeren**.

Hvorfor er det et rødt lys på munnstykket?

■ Børstevalsen i munnstykket er blokkert.

■ Gå til **Rengjøre og sette inn børstevalsen i munnstykket**.

Hvorfor vil ikke munnstykket rotere?

■ Børstevalsen i munnstykket har ikke blitt aktivert. Gå til **Bruke støvsugeren**.

■ Munnstykket/børstevalsen kan være tilstoppet. Gå til **Rengjøre og sette inn børstevalsen i munnstykket**.

■ Støvsugeren, munnstykket og skaftet er kanskje ikke korrekt festet. Gå til **Pakke ut og montere**.

■ Beltet i munnstykket kan ha røket. Gå til **Fjerne og sette inn munnstykkebeltet**.

Før du kontakter eller sender apparatet til Dirt Devil kundeservice, finner du en mengde tilleggsinformasjon på nettstedet vårt, under service, som vil hjelpe deg med å løse problemer. www.dirtdevil.de/service

ΠΛΗΡΟΦΟΡΙΕΣ ΓΙΑ ΤΗΝ ΑΣΦΑΛΕΙΑ

Σχετικά με αυτό το εγχειρίδιο χρήσης

Πριν από τη χρήση του μηχανήματος, διαβάστε αυτό το εγχειρίδιο χρήσης πλήρως. Φυλάξτε αυτό το εγχειρίδιο χρήσης για αναφορά. Αν μεταβιβάσετε το μηχανήμα σας σε τρίτον, πρέπει να συνοδεύεται από αυτό το εγχειρίδιο χρήσης. Η μη συμμόρφωση με αυτό το εγχειρίδιο χρήσης ενδέχεται να οδηγήσει σε σοβαρούς τραυματισμούς ή πρόκληση ζημιών στο μηχανήμα. Δεν αναλαμβάνουμε καμία ευθύνη για ζημιές που θα προκληθούν λόγω μη συμμόρφωσης με όσα αναφέρονται σε αυτό το εγχειρίδιο χρήσης. Οι σημαντικές πληροφορίες που δεν περιλαμβάνονται σε αυτό το κεφάλαιο υποδεικνύονται ως εξής:



ΠΡΟΕΙΔΟΠΟΙΗΣΗ: Προειδοποιεί για κινδύνους για την υγεία και υποδεικνύει ενδεχόμενους κινδύνους τραυματισμού.



ΠΡΟΣΟΧΗ: Υποδεικνύει ενδεχόμενους κινδύνους για το μηχανήμα ή άλλα αντικείμενα.

ΣΗΜΕΙΩΣΗ Υποδεικνύει συμβουλές και πληροφορίες.

Γενική χρήση

Αυτή η σκούπα stick (με στέλεχος) προορίζεται μόνο για οικιακή χρήση και ΟΧΙ για εμπορική ή βιομηχανική χρήση.

- Χρησιμοποιείτε τη σκούπα stick μόνο σε εσωτερικούς χώρους, σε στεγνές επιφάνειες και να διατηρείτε καλά φωτισμένη την περιοχή που καθαρίζετε.
- Μη χρησιμοποιείτε τη σκούπα για αναρρόφηση σκληρών ή αιχμηρών αντικειμένων, όπως γυαλί, καρφιά, βίδες, νομίσματα κ.λπ.
- Μη χρησιμοποιείτε τη σκούπα για να αναρρόφηση ζεστών κάρβουνων, αποτοίγαρων, σπέρτων ή αντικειμένων που καίγονται ή καπνίζουν.
- Μη χρησιμοποιείτε τη σκούπα σε χώρους που είναι βρεγμένοι, υγροί ή όπου ενδέχεται να υπάρχουν επιβλαβή υγρά (χλώριο, λευκαντικά και καθαριστικά για αποχετεύσεις με αμμωνία).
- Μην επιχειρήσετε να αφαιρέσετε αντικείμενα που

έχουν φράξει τη σκούπα χρησιμοποιώντας αιχμηρά αντικείμενα, καθώς αυτό μπορεί να προκαλέσει ζημιά στη σκούπα stick σας.

- Μόνο ο συνιστώμενος φορτιστής, τα εργαλεία και τα εξαρτήματα Dirt Devil πρέπει να χρησιμοποιούνται με αυτή τη σκούπα stick. Πριν από τη χρήση, να βεβαιώνετε πάντοτε ότι το πέλμα δαπέδου και τα εξαρτήματα δεν φέρουν ζημιές, ρύπους και υπολείμματα.
- Να απενεργοποιείτε ή να αποσυνδέετε τη σκούπα stick από τον φορτιστή πάντοτε προτού εκτελέσετε οποιαδήποτε εργασία συντήρησης. Ανατρέχετε στην αντίστοιχη ενότητα του εγχειριδίου χρήσης για να δείτε τις απαραίτητες προφυλάξεις.
- Προτού χρησιμοποιήσετε τη σκούπα stick, να βεβαιώνετε πάντοτε ότι ο διαχωριστής και τα φίλτρα έχουν τοποθετηθεί σωστά.
- Διατηρείτε όλα τα ανοίγματα καθαρά και χωρίς υπολείμματα, καθώς διαφορετικά μπορεί να επηρεαστεί η ροή του αέρα/η αναρρόφηση.
- Δείτε ιδιαίτερη προσοχή κατά τη χρήση της σκούπας stick σε σκαλοπάτια.



ΠΡΟΕΙΔΟΠΟΙΗΣΗ: Να απενεργοποιείτε πάντοτε τη σκούπα stick και να την αποσυνδέετε από τον φορτιστή και την πρίζα δικτύου, προτού εκτελέσετε εργασίες συντήρησης ή αντιμετώπισης προβλημάτων.



ΠΡΟΣΟΧΗ: Μην αφήνετε να γεμίζει υπερβολικά το δοχείο σκόνης, ώστε να μην εμποδίζεται η ροή αέρα μέσα από τη σκούπα stick. Για καλύτερα αποτελέσματα καθαρισμού, να αδειάζετε το δοχείο σκόνης μετά από κάθε χρήση. Τα φίλτρα θα πρέπει να τινάζονται επάνω από κάδο απορριμμάτων μετά από κάθε 4-6 χρήσεις, για την απομάκρυνση των ρύπων και των υπολειμμάτων και να πλένονται κάθε 3 μήνες. Τα φίλτρα θα πρέπει να αντικαθίστανται κάθε 6-9 μήνες, ανάλογα με τη χρήση.

Ασφάλεια

- Αυτή η σκούπα stick μπορεί να χρησιμοποιηθεί από παιδιά ηλικίας από 8 ετών και άνω και από άτομα με περιορισμένες σωματικές, αισθητηριακές ή διανοητικές ικανότητες ή έλλειψη εμπειρίας και γνώσεων, αν τους

παρέχεται επίβλεψη ή καθοδήγηση όσον αφορά τη χρήση της σκούπας stick με ασφαλή τρόπο και αν κατανοούν τους κινδύνους που ενέχονται. Τα παιδιά δεν πρέπει να παίζουν με τη σκούπα stick. Ο καθαρισμός και οι εργασίες συντήρησης που προβλέπονται για τον χρήστη δεν πρέπει να πραγματοποιούνται από παιδιά, χωρίς επίβλεψη.

- Κρατήστε τα δάκτυλα, τα μαλλιά και τον ρουχισμό μακριά από κινούμενα μέρη και ανοίγματα ενώ χρησιμοποιείτε τη σκούπα stick.
- Μη χρησιμοποιείτε τη σκούπα stick αν έχει πέσει κάτω, έχει υποστεί ζημιά, έχει βυθιστεί σε νερό ή έχει παραμείνει σε εξωτερικό χώρο.
- Μην πιάνετε το φως του φορτιστή και μη χρησιμοποιείτε τη σκούπα stick με βρεγμένα χέρια.
- Μη χρησιμοποιείτε το φορτιστή της σκούπας stick αν το καλώδιο ή το φως του φορτιστή έχει υποστεί ζημιά.
- Μην αποσυνδέετε τον φορτιστή από την πρίζα τραβώντας το καλώδιο ρεύματός του.

Τροφοδοσία ρεύματος

- Μη φορτίζετε τη σκούπα stick στο ύπαιθρο και μην αφήνετε τον φορτιστή συνδεδεμένο σε παροχή δικτύου όταν δεν τον χρησιμοποιείτε.
- Μη χρησιμοποιείτε τη σκούπα stick με λανθασμένο φορτιστή, καθώς αυτό μπορεί να οδηγήσει σε πρόκληση βλάβης ή σε τραυματισμό του χρήστη. Τα σωστά στοιχεία του φορτιστή αναφέρονται στην ετικέτα ονομαστικών τιμών.
- Να χρησιμοποιείτε πάντοτε τον φορτιστή που συνοδεύει τη σκούπα stick. Αν φορτίζετε τη σκούπα stick με τη χρήση καλωδίου επέκτασης, να χρησιμοποιείτε αποκλειστικά καλώδια προέκτασης 13 amp με έγκριση CE. Τα μη εγκεκριμένα καλώδια προέκτασης ενδέχεται να υπερθερμανθούν. Απαιτείται προσοχή με την τακτοποίηση του καλωδίου προέκτασης, καθώς υπάρχει κίνδυνος να σκοντάψει κανείς σε αυτό.

Ράβδος βούρτσας



ΠΡΟΕΙΔΟΠΟΙΗΣΗ: Η ράβδος βούρτσας στο ηλεκτρικό πέλμα περιστρέφεται συνεχώς όταν είναι ενεργοποιημένη. Μη χρησιμοποιείτε ποτέ το ηλεκτρικό πέλμα σε ένα σημείο για παρατεταμένο χρονικό διάστημα, καθώς η ράβδος βούρτσας ενδέχεται να προκαλέσει ζημιά στην επιφάνεια του δαπέδου. Να απενεργοποιείτε πάντοτε την ράβδο βούρτσας του ηλεκτρικού πέλματος όταν καθαρίζετε σκληρά δάπεδα. Για να αποτρέψετε την πρόκληση μόνιμης ζημιάς, να ελέγχετε πρώτα σε ένα σημείο του δαπέδου που δεν φαίνεται.



ΠΡΟΣΟΧΗ: Αν υπάρχει κάποιο εμπόδιο στη ράβδο βούρτσας στο ηλεκτρικό πέλμα, ενδέχεται να έχει ενεργοποιηθεί ο αισθητήρας προστασίας του μοτέρ της ράβδου βούρτσας. Η ράβδος βούρτσας θα σταματήσει να λειτουργεί και η ενδεικτική λυχνία στο ηλεκτρικό πέλμα θα ανάψει με κόκκινο χρώμα. Προκειμένου να απενεργοποιήσετε τη ράβδο βούρτσας και τη σκούπα stick, αφαιρέστε το ηλεκτρικό πέλμα από την επεκτεινόμενη ράβδο/το εξάρτημα χειρός και απομακρύνετε οποιοδήποτε εμπόδιο. Περιμένετε 1 λεπτό προτού επανατοποθετήσετε το εργαλείο του ηλεκτρικού πέλματος, ενεργοποιήστε τη σκούπα stick και πατήστε το κουμπί λειτουργίας (ON/OFF) της ράβδου βούρτσας.

Φύλαξη

- Φυλάσσετε τη σκούπα stick σε δροσερό, στεγνό χώρο. Αν τα φίλτρα έχουν καθαριστεί σύμφωνα με το εγχειρίδιο χρήσης, βεβαιωθείτε ότι έχουν στεγνώσει καλά πριν από τη φύλαξη. Αυτή η σκούπα stick δεν παραμένει σε όρθια θέση χωρίς υποστήριξη. Μεταξύ των χρήσεων, να την ακουμπάτε επίπεδα στο δάπεδο σε κατάλληλη θέση ώστε να μην την πατούν και να μην σκοντάφτουν επάνω της.

Μπαταρία και απόρριψη



ΠΡΟΣΟΧΗ: Η μπαταρία που χρησιμοποιείται σε αυτή τη συσκευή ενδέχεται να συνιστά κίνδυνο πυρκαγιάς ή χημικού εγκαύματος, σε περίπτωση λανθασμένου χειρισμού. Μην αποσυναρμολογείτε και μη θερμαίνετε περισσότερο από το μέγιστο όριο θερμοκρασίας του κατασκευαστή (60°C/140°F) και μην αποτεφρώνετε. Η χρήση άλλης μπαταρίας ενδέχεται να ενέχει κίνδυνο πυρκαγιάς ή έκρηξης.

■ Η μπαταρία πρέπει να αφαιρείται από τη συσκευή πριν από την απόρριψη και η μεταχειρισμένη μπαταρία να απορρίπτεται άμεσα και με ασφάλεια. Διατηρείτε μακριά από τα παιδιά. Πριν από την απόρριψη, να προστατεύετε τους εκτεθειμένους ακροδέκτες με μονωτική ταινία βαριάς χρήσης ώστε να αποτρέπεται το βραχυκύκλωμα. Η μπαταρία πρέπει να απορρίπτεται με ασφάλεια, στο τοπικό κέντρο ανακύκλωσης μπαταριών.

■ Μην επιχειρείτε να αποσυναρμολογήσετε την μπαταρία, να απομακρύνετε οποιοδήποτε εξάρτημα που προεξέχει από τους ακροδέκτες της και μη ρίχνετε την μπαταρία στη φωτιά. Η μπαταρία και ο φορτιστής δεν περιέχουν κανένα εξάρτημα που μπορεί να υποβληθεί σε σέρβις από τον χρήστη. Ενδέχεται να προκληθεί πυρκαγιά ή τραυματισμός.

■ Η συσκευή πρέπει να αποσυνδέεται από την πρίζα δικτύου πριν από τη χρήση ή κατά την αφαίρεση της μπαταρίας πριν από την απόρριψη. Σε περίπτωση διαρροών από την μπαταρία, αποφύγετε την επαφή με το δέρμα και καλέστε στον αριθμό +800 2672 6677.

ΦΥΛΑΞΤΕ ΤΙΣ ΟΔΗΓΙΕΣ ΓΙΑ ΜΕΛΛΟΝΤΙΚΗ ΧΡΗΣΗ.

Ευχαριστούμε!

Χαιρόμαστε που αποφασίσατε να αγοράσετε ένα προϊόν Dirt Devil. Ελπίζουμε να απολαύσετε τη χρήση της συσκευής σας και θα θέλαμε να σας ευχαριστήσουμε για την αγορά που κάνατε. Θα βρείτε περισσότερες πληροφορίες σχετικά με το προϊόν που αγοράσατε σε αυτό το εγχειρίδιο λειτουργίας και στη διαδικτυακή τοποθεσία μας, στη διεύθυνση: www.dirtdevil.de. Για να επικοινωνήσετε με το τμήμα σέρβις της Dirt Devil, ανατρέξτε στα στοιχεία επικοινωνίας στη σελίδα 2.

Τεχνικά στοιχεία

Τύπος συσκευής	Ασύρματη ηλεκτρική σκούπα
Μοντέλο	DD778, DD778 (-0/.../-9)
Επαναφορτιζόμενη μπαταρία	Ιόντων λιθίου 32 V
μέγ. διάρκεια λειτουργίας	περίπου 45 λεπτά
μέγ. διάρκεια φόρτισης	περίπου 4 ώρες
Τροφοδοτικό	Είσοδος: 100 – 240 V ~, 1 A Έξοδος: 34 V, 600 mA
Χωρητικότητα δοχείου σκόνης	Μέγ. πλήρ. 0,3 l, Μέγ. χωρ. 0,6 l
Ισχύς	234 W
Βάρος	3,1 kg

Προστασία του περιβάλλοντος και απόρριψη

Αν θέλετε να απορρίψετε τη συσκευή, αφαιρέστε την επαναφορτιζόμενη μπαταρία και απορρίψτε την επαναφορτιζόμενη μπαταρία και τη συσκευή ξεχωριστά.



Μην απορρίπτετε τη συσκευή, την επαναφορτιζόμενη μπαταρία ή το τροφοδοτικό δικτύου μαζί με τα οικιακά απορρίμματα.



Απορρίψτε τη συσκευή, την επαναφορτιζόμενη μπαταρία και το τροφοδοτικό δικτύου ξεχωριστά, σε κατάλληλα σημεία συλλογής.

Ιόντα
λιθίου

Εγγύηση

Αν έχετε αγοράσει τη συσκευή ως καταναλωτής εντός της Ευρωπαϊκής Ένωσης, ισχύει η αντίστοιχη εθνική νομοθεσία που εφαρμόζεται σύμφωνα με την Οδηγία της ΕΕ 2011/83/ΕΕ, ως το ελάχιστο πρότυπο εγγύησης. Στις χώρες εκτός της ΕΕ, ισχύουν οι ελάχιστες απαιτήσεις εγγύησης της αντίστοιχης χώρας. Αυτό δεν ισχύει για τις μπαταρίες ή τις επαναφορτιζόμενες μπαταρίες που είναι ελαττωματικές ή έχουν μειωμένη διάρκεια ζωής, ως αποτέλεσμα φυσιολογικής φθοράς ή ακατάλληλων χειρισμών.



Επιφυλασσόμαστε του δικαιώματος να κάνουμε αλλαγές στις τεχνικές προδιαγραφές και τις προδιαγραφές σχεδίασης, με σκοπό τη συνεχή βελτίωση του προϊόντος.
© Royal Appliance International GmbH

ΕΞΟΙΚΕΙΩΣΗ ΜΕ ΤΟ ΜΗΧΑΝΗΜΑ ΣΑΣ

Εικ. 1

- A. Λαβή μεταφοράς
- B. Δοχείο ρύπων
- C. Κουμπί απασφάλισης ρύπων
- D. Κάλυμμα φίλτρου και φίλτρο
- E. Ασφάλεια απασφάλισης δοχείου ρύπων
- F. Ενδεικτική λυχνία στάθμης μπαταρίας
- G. Κουμπί ενίσχυσης
- H. Κουμπί ενεργοποίησης/απενεργοποίησης (ON/OFF) ράβδου βούρτσας
- I. Κουμπί λειτουργίας (ON/OFF)
- J. Θύρα φόρτισης
- K. Επεκτεινόμενη ράβδος
- L. Ηλεκτρικό πέλμα
- M. Ράβδος βούρτσας
- N. Φορτιστής
- O. Επίτοιχη βάση, 2 βίδες και ούπατ
- P. Θήκη φύλαξης εργαλείου χαραμάδων

Περιεχόμενα Εικ. 2

- A. Εργαλείο χαραμάδων
- B. Βούρτσα ξεσκονίσματος

Αποσυσκευασία και συναρμολόγηση

1. Αποσυσκευάστε τα περιεχόμενα και βεβαιωθείτε ότι υπάρχουν όλα. (Εικ. 1 και 2).
2. Προσαρτήστε την επεκτεινόμενη ράβδο και το ηλεκτρικό πέλμα στο εξάρτημα χειρός. Θα κουμπώσουν μεταξύ τους με έναν ήχο «κλικ» (Εικ. 3).
3. Ωθήστε τη θήκη φύλαξης του εργαλείου χαραμάδων στο κάτω μέρος της επεκτεινόμενης ράβδου και περάστε το εργαλείο στη θέση του (Εικ. 4).

Τοποθέτηση της επίτοιχης βάσης

1. Χωρίς το εξάρτημα χειρός τοποθετημένο στην επεκτεινόμενη ράβδο και στο ηλεκτρικό πέλμα, ωθήστε το στήριγμα τοίχου στο επάνω και πίσω μέρος της επεκτεινόμενης βάσης. (Εικ. 5/1).
2. Επιλέξτε μια θέση φύλαξης της σκούπας stick, κατά προτίμηση κοντά σε μια πρίζα δικτύου, όχι ακριβώς επάνω ή κάτω από την πρίζα δικτύου. Στηρίξτε το ηλεκτρικό πέλμα και τη ράβδο της σκούπας stick στον τοίχο, διασφαλίζοντας ότι το ηλεκτρικό πέλμα ακουμπά επίπεδα στο δάπεδο.

3. Συγκρατώντας το στήριγμα τοίχου ακουμπισμένο με ασφάλεια στον τοίχο, χρησιμοποιήστε ένα μολύβι για να δημιουργήσετε ένα μικρό σημάδι για κάθε βίδα. (Εικ. 5/2) Χρησιμοποιήστε τις βίδες και τα ούπατ για να στερεώσετε το στήριγμα τοίχου στον τοίχο.

4. Το καλώδιο του φορτιστή και η βούρτσα ξεσκονίσματος μπορούν να τοποθετηθούν στο στήριγμα τοίχου (Εικ. 6).

5. Συναρμολογήστε πλήρως τη σκούπα stick και πιέστε την σταθερά επάνω στο στήριγμα τοίχου, για να τη στερεώσετε. Να βεβαιώνεστε πάντοτε ότι η σκούπα stick έχει στερεωθεί με ασφάλεια στη θέση της.

Φόρτιση της σκούπας stick

ΣΗΜΕΙΩΣΗ Η αρχική φόρτιση διαρκεί 4 ώρες και θα χρειαστεί φόρτιση πριν από την πρώτη χρήση. Αν δεν φορτιστεί η μπαταρία πριν από την πρώτη χρήση ενδέχεται να μειωθεί η απόδοσή της. Η αναμενόμενη διάρκεια ζωής της μπαταρίας θα ποικίλει ανάλογα με τη χρήση της σκούπας stick.

1. Για να φορτίσετε τη σκούπα stick, στερεώστε την σταθερά στο στήριγμα τοίχου. Μπορείτε επίσης να την φορτίσετε ως εξάρτημα χειρός. Αποσπάστε τη σκούπα stick από την επεκτεινόμενη ράβδο και τα εργαλεία και τοποθετήστε την σε μια επίπεδη, σταθερή επιφάνεια.
2. Συνδέστε το καλώδιο του φορτιστή στη θύρα φόρτισης (Εικ. 1/1) που υπάρχει στη λαβή μεταφοράς και συνδέστε το φις του φορτιστή στην πρίζα δικτύου.
3. Οι ενδεικτικές λυχνίες στάθμης της μπαταρίας θα ανάψουν με τη σειρά, καθώς φορτίζεται η μπαταρία, ωστόσο ανάψουν και οι τέσσερις λυχνίες (Εικ. 7/1 και 7/2). Αφού η μπαταρία φορτιστεί πλήρως, οι ενδεικτικές λυχνίες θα σβήσουν. Αν η φόρτιση γίνεται για πρώτη φορά, ο αρχικός χρόνος φόρτισης είναι 4 ώρες.
4. Όταν η σκούπα stick βρίσκεται σε χρήση, οι ενδεικτικές λυχνίες στάθμης της μπαταρίας θα ανάψουν, υποδεικνύοντας πόσος χρόνος φόρτισης απομένει. Όταν απομένει λιγότερη από 20% ισχύς φόρτισης, η κάτω λυχνία θα αναβοσβήνει με κόκκινο χρώμα, γεγονός που υποδεικνύει ότι η ισχύς της μπαταρίας εξαντλείται και απαιτείται φόρτιση (Εικ. 7/3).

Χρήση της σκούπας stick



ΠΡΟΕΙΔΟΠΟΙΗΣΗ: Η ράβδος βούρτσας στο ηλεκτρικό πέλμα περιστρέφεται συνεχώς όταν είναι ενεργοποιημένη. Μη χρησιμοποιείτε ποτέ το ηλεκτρικό πέλμα σε ένα σημείο για παρατεταμένο χρονικό διάστημα, καθώς η ράβδος βούρτσας ενδέχεται να προκαλέσει ζημιά στην επιφάνεια του δαπέδου. Να απενεργοποιείτε πάντοτε την ράβδο βούρτσας του ηλεκτρικού πέλματος όταν καθαρίζετε σκληρά δάπεδα. Για να αποτρέψετε την πρόκληση μόνιμης ζημιάς, να ελέγχετε πρώτα σε ένα σημείο του δαπέδου που δεν φαίνεται.



ΠΡΟΣΟΧΗ: Αν υπάρχει κάποιο εμπόδιο στη ράβδο βούρτσας στο ηλεκτρικό πέλμα, ενδέχεται να έχει ενεργοποιηθεί ο αισθητήρας προστασίας του μοτέρ της ράβδου βούρτσας. Η ράβδος βούρτσας θα σταματήσει να λειτουργεί και η ενδεικτική λυχνία στο ηλεκτρικό πέλμα θα ανάψει με κόκκινο χρώμα (Εικ. 18). Προκειμένου να απενεργοποιηθεί η ράβδο βούρτσας και τη σκούπα stick, αφαιρέστε το ηλεκτρικό πέλμα από την επεκτεινόμενη ράβδο/το εξάρτημα χειρός και απομακρύνετε οποιοδήποτε εμπόδιο. Περιμένετε 1 λεπτό προτού επανατοποθετήσετε το εργαλείο του ηλεκτρικού πέλματος, ενεργοποιήστε τη σκούπα stick και πατήστε το κουμπί λειτουργίας (ON/OFF) της ράβδου βούρτσας.

1. Τοποθετήστε το πόδι σας στο ηλεκτρικό πέλμα (Εικ. 8 /1) και τραβήξτε τη λαβή προς τα πίσω για ανάκλιση (Εικ. 8 /2).
2. Για να ενεργοποιήσετε τη σκούπα stick, πατήστε το κουμπί λειτουργίας (ON/OFF) που υπάρχει στη λαβή. (Εικ. 9 /1) Το κουμπί λειτουργίας (On/Off) και οι ενδεικτικές λυχνίες στάθμης φόρτισης μπαταρίας στη λαβή θα ανάψουν (Εικ. 7 /2).
3. Για να αυξηθεί η ισχύς αναρρόφησης για πολύ βρώμικες περιοχές που χρειάζονται πρόσθετο καθαρίσμα, μπορεί να ενεργοποιηθεί η λειτουργία ενίσχυσης (Εικ. 9 /3).
4. Για να ενεργοποιήσετε τη ράβδο βούρτσας, πατήστε το κουμπί λειτουργίας (ON/OFF) της ράβδου βούρτσας

(Εικ. 9 /2). Η ενδεικτική λυχνία στο ηλεκτρικό πέλμα και η ενδεικτική λυχνία λειτουργίας (ON/OFF) της ράβδου βούρτσας θα ανάψουν όταν η ράβδος βούρτσας είναι ενεργοποιημένη και η ράβδος βούρτσας θα περιστρέφεται σταθερά. Πατήστε και πάλι το κουμπί λειτουργίας (ON/OFF) της ράβδου βούρτσας για να απενεργοποιήσετε τη ράβδο βούρτσας.

ΣΗΜΕΙΩΣΗ: Η ράβδος βούρτσας του ηλεκτρικού πέλματος πρέπει να είναι ενεργοποιημένη (ON) για τα χαλιά και απενεργοποιημένη (OFF) για τα σκληρά δάπεδα. Η συνεχής χρήση της λειτουργίας ενίσχυσης και της ράβδου βούρτσας θα περιορίσει τον χρόνο λειτουργίας της μπαταρίας.

5. Όλα τα εξαρτήματα, συμπεριλαμβανομένου του ηλεκτρικού πέλματος μπορούν να συνδεθούν απευθείας στο εξάρτημα χειρός (Εικ. 10) ή στην επεκτεινόμενη ράβδο. Το εργαλείο για τις χαραμάδες και η βούρτσα ξεσκονίσματος μπορούν να χρησιμοποιούνται για τα δυσπρόσιτα σημεία, καθώς και σε σημεία διαφορετικού ύψους για καθαρίσμα ψηλότερα από το δάπεδο.

ΣΥΝΤΗΡΗΣΗ ΤΗΣ ΣΚΟΥΠΑΣ STICK



ΠΡΟΕΙΔΟΠΟΙΗΣΗ: Να απενεργοποιείτε πάντοτε τη σκούπα stick και να την αποσυνδέετε από τον φορτιστή και την πρίζα δικτύου, προτού εκτελέσετε εργασίες συντήρησης ή αντιμετώπισης προβλημάτων.

Αφαίρεση και επανατοποθέτηση του δοχείου ρύπων

1. Πιέστε προς τα κάτω την ασφάλεια που υπάρχει επάνω στο δοχείο ρύπων (Εικ. 11 /1) για να την απελευθερώσετε, γείρετέ την και ανασηκώστε την για να αφαιρέσετε το δοχείο ρύπων από τη σκούπα stick (Εικ. 11 /2).

ΣΗΜΕΙΩΣΗ: Πριν από την επανατοποθέτηση, εάν το καπάκι του δοχείου με τον διαχωριστή έχει αφαιρεθεί για λόγους καθαρισμού, βεβαιωθείτε ότι ο διαχωριστής έχει επανατοποθετηθεί και ότι το καπάκι έχει ασφαλίσει στη θέση του (Εικ. 13 /1).

2. Για επανατοποθέτηση, ευθυγραμμίστε το σημείο σύνδεσης του δοχείου ρύπων με τη λαβή της σκούπας stick. (Εικ. 12/1) Πατήστε την ασφάλεια απασφάλισης του δοχείου ρύπων (Εικ. 12/2) και πιέστε το δοχείο ρύπων επάνω στη σκούπα stick.

Απασφαλίστε την ασφάλεια του δοχείου ρύπων, για να ασφαλίσετε το δοχείο ρύπων στη θέση του.

3. Όταν η τοποθέτηση έχει γίνει σωστά, και τα 3 θα είναι ευθυγραμμισμένα και θα εδράζουν ευθύγραμμα (Εικ. 13).

Εκκένωση του δοχείου ρύπων

1. Πιέστε προς τα κάτω την ασφάλεια που υπάρχει επάνω στο δοχείο ρύπων (Εικ. 11/1) για να την απελευθερώσετε, γείρετέ την και ανασηκώστε την για να αφαιρέσετε το δοχείο ρύπων από τη σκούπα stick (Εικ. 11/2).
2. Συγκρατήστε το δοχείο ρύπων επάνω από έναν κάδο απορριμμάτων και πατήστε το κουμπί απασφάλισης ρύπων για να πέσουν οι ρύποι και τα υπολείμματα. (Εικ. 14/1 & 2).
3. Πιέστε τη θύρα απασφάλισης ρύπων ωστόσο κουμπώσει στη θέση της, ώστε να κλείσει. (Εικ. 14/3).



ΠΡΟΣΟΧΗ: Μην αφήνετε να γεμίζει υπερβολικά το δοχείο σκόνης, ώστε να μην εμποδίζεται η ροή αέρα μέσα από τη σκούπα stick. Για καλύτερα αποτελέσματα καθαρισμού, να αδειάζετε το δοχείο σκόνης μετά από κάθε χρήση. Τα φίλτρα θα πρέπει να τινάζονται επάνω από κάδο απορριμμάτων μετά από κάθε 4-6 χρήσεις, για την απομάκρυνση των ρύπων και των υπολειμμάτων και να πλένονται κάθε 3 μήνες. Τα φίλτρα θα πρέπει να αντικαθίστανται κάθε 6-9 μήνες, ανάλογα με τη χρήση.

Καθαρισμός του φίλτρου και του διαχωριστή

1. Εκκενώστε το δοχείο ρύπων (Εικ. 14).
2. Ανασηκώστε τη γλωττίδα επάνω στο κάλυμμα του δοχείου ρύπων (Εικ. 15/1 & 2). Ανασηκώστε το κάλυμμα του φίλτρου και τον διαχωριστή από το δοχείο ρύπων (Εικ. 15/3).

3. Χτυπήστε ελαφρά τον διαχωριστή επάνω από έναν κάδο απορριμμάτων για να αφαιρέσετε τους ρύπους και τα υπολείμματα και σκουπίστε το μεταλλικό κάλυμμα με ένα στεγνό πανί (Εικ. 16/1).

4. Τραβήξτε τη γλωττίδα επάνω στο φίλτρο για να το αφαιρέσετε από τον διαχωριστή (Εικ. 16/2). Χτυπήστε το φίλτρο επάνω στον κάδο απορριμμάτων για να αφαιρέσετε τυχόν ρύπους και υπολείμματα (Εικ. 16/3).

5. Πλύνετε το φίλτρο κάτω από τρεχούμενο νερό (μέγ. 40°C) (Εικ. 17). Αφήστε επί τουλάχιστον 24 ώρες ή ωστόσο στεγνώσει τελείως, προτού το επανατοποθετήσετε.

Καθαρισμός και επανατοποθέτηση της ράβδου βούρτσας του ηλεκτρικού πέλματος

1. Χρησιμοποιώντας ένα κέρμα, πιέστε και περιστρέψτε την ασφάλεια της ράβδου βούρτσας αριστερόστροφα, για να απασφαλίσετε τη ράβδο βούρτσας (Εικ. 19/1).
2. Τραβήξτε τη ράβδο βούρτσας έξω από το περιβλήμα της (Εικ. 20/1).
3. Για να αφαιρέσετε τυχόν νήματα ή τρίχες, περάστε τη λεπίδα ενός ψαλιδιού μέσα στην εγκοπή που υπάρχει επάνω στη ράβδο βούρτσας και κόψτε κατά μήκος της. Καθαρίστε τυχόν ρύπους/υπολείμματα από τα τερματικά πόματα και το εσωτερικό του περιβλήματος του ηλεκτρικού πέλματος (Εικ. 21).
4. Επανατοποθετήστε τη ράβδο βούρτσας (Εικ. 20/2) και περιστρέψτε την ασφάλειά της δεξιόστροφα για να ασφαλίσει (Εικ. 19/2).

Αφαίρεση και επανατοποθέτηση του ιμάντα του ηλεκτρικού πέλματος

1. Χρησιμοποιώντας ένα σταυροκατσάβιδο, ξεβιδώστε τις 3 βίδες και αφαιρέστε το κάλυμμα (Εικ. 22/1).
2. Αν ο ιμάντας έχει σπάσει, αφαιρέστε τον παλιό ιμάντα και καθαρίστε τυχόν υπολείμματα από τους τροχούς. Για να αντικαταστήσετε τον ιμάντα, πρώτα αγκιστρώστε τον επάνω από τον μικρό τροχό. Περάστε τον ιμάντα επάνω από το επάνω μέρος του μεγάλου τροχού και περιστρέψτε τον ιμάντα και τον τροχό αριστερόστροφα. Κατά τη διάρκεια της περιστροφής, ο ιμάντας θα ολισθήσει επάνω στον τροχό (Εικ. 22/2).

3. Επανατοποθετήστε το κάλυμμα του ιμάντα και σφίξτε τις βίδες για να το στερεώσετε.

Έλεγχος για εμφράξεις

1. Πατήστε το κουμπί απασφάλισης του εξαρτήματος χειρός και αφαιρέστε την επεκτεινόμενη ράβδο. Ελέγξτε και απομακρύνετε τυχόν ρύπους και υπολείμματα από το σημείο σύνδεσης του εξαρτήματος χειρός και από την είσοδο του κάδου. (Εικ. **23**/1).

2. Ελέγξτε το ηλεκτρικό πέλμα για εμφράξεις και χρησιμοποιήστε ένα αμβλύ εργαλείο για να αφαιρέσετε τα υλικά που έχουν προκαλέσει την έμφραξη. (Εικ. **23**/2).

3. Για να ελέγξετε για τυχόν έμφραξη στη επεκτεινόμενη ράβδο, ρίξτε ένα σφαιρίδιο χαρτιού στο εσωτερικό της ράβδου. Αν το χαρτί περάσει από μέσα, η ράβδος είναι καθαρή. Χρησιμοποιήστε ένα κοντάρι από σκούπα ή κάποιο παρόμοιο αμβλύ αντικείμενο για να απομακρύνετε τυχόν υλικά έμφραξης (Εικ. **23**/3).

ΑΞΕΣΟΥΑΡ ΚΑΙ ΑΝΤΑΛΛΑΚΤΙΚΑ

Επισκεφθείτε μας στο διαδίκτυο στη διεύθυνση:

www.dirtdevil.de

Στον ιστότοπό μας θα βρείτε μια μεγάλη επιλογή ανταλλακτικών & αξεσουάρ καθώς και έξυπνες & πρακτικές συμβουλές για το προϊόν Dirt-Devil.

ΑΝΤΙΜΕΤΩΠΙΣΗ ΠΡΟΒΛΗΜΑΤΩΝ

Λείπει κάποιο εξάρτημα

Ελέγξτε τα περιεχόμενα (Εικ. 2).

Γιατί η σκούπα stick δεν λειτουργεί;

■ Μπορεί η σκούπα stick να χρειάζεται επαναφόρτιση. Ανατρέξτε στην ενότητα **Φόρτιση της σκούπας stick**.

■ Ο θερμοστάτης του μοτέρ μπορεί να έχει ενεργοποιηθεί. Εκκενώστε το δοχείο ρύπων και ελέγξτε για εμφράξεις. Καθαρίστε τα φίλτρα και αφήστε τη σκούπα stick να ψυχθεί, επί περίπου 1 ώρα. Αν έχετε πλύνει τα φίλτρα, περιμένετε 24 ώρες να στεγνώσει τελείως, προτού τα επανατοποθετήσετε στη σκούπα stick.

Γιατί δεν τραβεί η σκούπα stick;

■ Το δοχείο ρύπων μπορεί να μην έχει τοποθετηθεί καλά. Μεταβείτε στην ενότητα **Αφαίρεση και επανατοποθέτηση του δοχείου ρύπων**.

■ Το δοχείο ρύπων μπορεί να έχει έμφραξη. Ελέγξτε το δοχείο ρύπων και την είσοδο της συσκευής χειρός για εμφράξεις. Μεταβείτε στην ενότητα **Εκκένωση του δοχείου ρύπων**.

■ Τα φίλτρα μπορεί να είναι φραγμένα. Ανατρέξτε στην ενότητα **Καθαρισμός του φίλτρου και του διαχωριστή**.

■ Μπορεί να υπάρχει έμφραξη. Ανατρέξτε στην ενότητα **Έλεγχος για εμφράξεις**.

■ Η ράβδος σκούπας στο ηλεκτρικό πέλμα δεν έχει ενεργοποιηθεί. Ανατρέξτε στην ενότητα **Χρήση της σκούπας stick**.

■ Το ηλεκτρικό πέλμα μπορεί να έχει έμφραξη. Ανατρέξτε στην ενότητα **Καθαρισμός και επανατοποθέτηση της ράβδου βούρτσας του ηλεκτρικού πέλματος**.

■ Η βούρτσα stick, το ηλεκτρικό πέλμα και η επεκτεινόμενη ράβδος μπορεί να μην έχουν τοποθετηθεί σωστά. Ανατρέξτε στην ενότητα **Αποσυσκευασία και συναρμολόγηση**.

Γιατί υπάρχει ένα κόκκινο φως επάνω στη μονάδα;

■ Η ισχύς φόρτισης της μπαταρίας είναι χαμηλή (<20%). Ανατρέξτε στην ενότητα **Φόρτιση της σκούπας stick**.

Γιατί υπάρχει ένα κόκκινο φως επάνω στη μονάδα;

■ Η ράβδος βούρτσας του ηλεκτρικού πέλματος έχει έμφραξη. Ανατρέξτε στην ενότητα **Καθαρισμός και επανατοποθέτηση της ράβδου βούρτσας του ηλεκτρικού πέλματος**.

Γιατί δεν περιστρέφεται το ηλεκτρικό πέλμα;

■ Η ράβδος σκούπας στο ηλεκτρικό πέλμα δεν έχει ενεργοποιηθεί. Ανατρέξτε στην ενότητα **Χρήση της σκούπας stick**.

■ Το εργαλείο/η ράβδος βούρτσας μπορεί να έχει έμφραξη. Ανατρέξτε στην ενότητα **Καθαρισμός και επανατοποθέτηση της ράβδου βούρτσας του ηλεκτρικού πέλματος**.

■ Η βούρτσα stick, το ηλεκτρικό πέλμα και η επεκτεινόμενη ράβδος μπορεί να μην έχουν τοποθετηθεί σωστά. Ανατρέξτε στην ενότητα **Αποσυσκευασία και συναρμολόγηση**.

■ Ο ιμάντας επάνω στο εργαλείο μπορεί να έχει σπάσει. Ανατρέξτε στην ενότητα **Αφαίρεση και επανατοποθέτηση του ιμάντα του ηλεκτρικού πέλματος**.

Προτού επικοινωνήσετε με το τμήμα εξυπηρέτησης πελατών της Dirt Devil ή στείλετε τη συσκευή στο τμήμα εξυπηρέτησης πελατών της Dirt Devil, θα βρείτε πολλές πρόσθετες πληροφορίες στην ενότητα σέρβις της διαδικτυακής τοποθεσίας της εταιρείας μας, που θα σας βοηθήσουν να λύσετε τα προβλήματα.

www.dirtdevil.de/service

INFORMAȚII PRIVIND SIGURANȚA

Informații privind manualul de utilizare

Citiți în întregime prezentul manual de utilizare înainte de a utiliza aparatul. Păstrați manualul de utilizare pentru consultare ulterioară. În cazul în care predați aparatul unei terțe părți, acesta trebuie predat împreună cu prezentul manual de utilizare. Nerespectarea instrucțiunilor din prezentul manual de utilizare poate cauza vătămări grave sau deteriorarea aparatului. Nu ne asumăm răspunderea pentru deteriorările rezultate ca urmare a nerespectării instrucțiunilor din prezentul manual de utilizare. Informațiile importante care nu sunt incluse în acest capitol sunt indicate după cum urmează:



AVERTISMENT: Avertizează cu privire la pericole și identifică posibile riscuri de rănire.



PRECAUȚIE: Indică posibile pericole la aparat sau alte obiecte.

ATENȚIE Evidențiază recomandări și informații.

Utilizare generală

Acest aspirator vertical este destinat exclusiv uzului casnic și NU folosirii în regim comercial sau industrial.

- Utilizați acest aspirator vertical doar în spațiu interior, pe suprafețe uscate și păstrați bine iluminată zona pe care o curățați.
- Nu aspirați obiecte dure sau tăioase ca de ex. sticlă, cuie, șuruburi, monede etc.
- Nu aspirați cărbuni aprinși, mucuri de țigară, chibrituri sau alte obiecte care fumegă sau ard.
- Nu utilizați aparatul într-o zonă umedă sau unde pot exista lichide dăunătoare (clor, înălbitori și soluții de desfundat țevi de scurgere cu amoniac).
- Nu încercați să eliminați blocajele cu obiecte ascuțite deoarece acestea pot deteriora aspiratorul vertical.

- Trebuie utilizate numai încărcătorul, instrumentele și accesoriile recomandate de Dirt Devil în combinație cu acest aspirator vertical și trebuie verificate întotdeauna accesoriile și peria de podea cu privire la deteriorări, murdărie și resturi înainte de utilizare.

- Oprțiți întotdeauna sau decuplați aspiratorul vertical de la încărcător înainte de a efectua orice lucrare de întreținere. Vă rugăm să consultați secțiunea aferentă din prezentul manual de utilizare, pentru a vedea precauțiile necesare.

- Asigurați-vă întotdeauna că separatorul și filtrele sunt corect montate înainte de a utiliza aspiratorul vertical.

- Mențineți toate deschiderile curate și libere de resturi, deoarece acestea pot afecta fluxul de aer/aspirație.

- Acordați o atenție specială când utilizați aspiratorul vertical pe scări.



AVERTISMENT: Oprțiți întotdeauna aspiratorul vertical și decuplați-l de la încărcător și sursa principală de alimentare înainte de a efectua lucrările de întreținere sau remediere a defectăunilor.



PRECAUȚIE: Nu încărcăți în exces recipientul de praf, pentru a evita blocarea jetului de aer din aspiratorul vertical. Pentru rezultate optime de curățare, goliți recipientul de praf după fiecare utilizare. Filtrele trebuie scuturate deasupra unui coș de gunoi la fiecare 4-6 utilizări, pentru a îndepărta murdăria și resturile, și trebuie spălate la fiecare 3 luni. Filtrele trebuie înlocuite la fiecare 6-9 luni, în funcție de gradul de utilizare.

Siguranța

- Acest aspirator vertical poate fi utilizat de copii cu vârsta de peste 8 ani și de persoane cu capacități fizice, senzoriale sau mentale reduse, sau fără experiență și cunoștințe dacă acestea sunt supravegheate sau au primit instrucțiuni cu privire

la utilizarea aspiratorului vertical în siguranță și dacă înțeleg pericolele implicate. Este interzis copiilor să se joace cu aspiratorul vertical. Curățarea și întreținerea destinată utilizatorului nu trebuie efectuate de copii fără supraveghere.

■ În timpul utilizării aspiratorului vertical, țineți degetele, părul și articolele de îmbrăcăminte largi la distanță de piese mobile și deschideri.

■ Nu utilizați aspiratorul vertical dacă acesta a fost scăpat din mână, deteriorat, imersat în apă sau lăsat în aer liber.

■ Nu manevrați conectorul încărcătorului și nu utilizați aspiratorul vertical cu mâinile umede.

■ Nu utilizați încărcătorul aspiratorului vertical în cazul în care cablul sau conectorul încărcătorului este deteriorat.

■ Nu deconectați încărcătorul de la rețea trăgând de cablul încărcătorului.

Sursa de alimentare

■ Nu încărcați aspiratorul vertical în spațiul exterior și nu lăsați încărcătorul conectat la sursa de alimentare atunci când nu este utilizat.

■ Nu utilizați aspiratorul vertical cu un încărcător necorespunzător, deoarece acesta poate produce deteriorări sau vătămarea utilizatorului. Informațiile cu privire la încărcătorul corespunzător sunt specificate pe plăcuța de caracteristici.

■ Utilizați întotdeauna încărcătorul furnizat pentru aspiratorul vertical. În cazul în care aspiratorul vertical se încarcă prin intermediul unui cablu prelungitor, utilizați numai cabluri prelungitoare aprobate CE de 13 amp; cablurile prelungitoare neaprobate se pot supraîncălzi. Aveți grijă la aranjarea cablului prelungitor, deoarece acesta poate prezenta un pericol de împiedicare.

Rola perie



AVERTISMENT: Rola perie din capul de periere se rotește constant atunci când este pornită. Nu utilizați niciodată capul de periere într-un singur loc pentru o perioadă lungă de timp, deoarece rola perie poate deteriora suprafața podelei. Opriți întotdeauna rola perie a capului de periere atunci când curățați podele dure. Pentru a preveni deteriorarea, testați mai întâi pe o suprafață ascunsă a podelei.



PRECAUȚIE: În cazul în care rola perie din capul de periere a fost obstrucționată, este posibil să fie activat senzorul de protecție a motorului rolei perie. Rola perie se va opri și becul de pe capul de periere va lumina roșu. Pentru a reseta, opriți rola perie și aspiratorul vertical, îndepărtați capul de periere de la tubul telescopic/mâner și îndepărtați obiectele care obstrucționează. Așteptați un minut înainte de a atașa din nou capul de periere, conectați aspiratorul vertical și apăsați butonul PORNIT/OPRIT de la rola perie.

Depozitare

■ Depozitați aspiratorul vertical într-un loc răcoros și uscat. În cazul în care filtrele au fost curățate conform instrucțiunilor din manualul de utilizare, asigurați-vă că acestea sunt uscate complet înainte de depozitare. Acest aspirator vertical nu stă în poziție verticală fără susținere constantă. Între utilizări, așezați-l în poziție orizontală într-un loc adecvat, astfel încât să nu devină un pericol de împiedicare sau să fie călcat.

Bateria și eliminarea



PRECAUȚIE: Bateria utilizată în acest aparat poate prezenta risc de producere a incendiului sau arsuri chimice în caz de utilizare necorespunzătoare. Nu demontați și nu încălziți peste limita maximă de temperatură specificată de producător (60°C/140°F) și nu aruncați în foc. Utilizarea unei alte baterii poate prezenta risc de producere a unui incendiu sau de explozie.

- Bateria consumată trebuie înlăturată din aparat înainte de eliminare și trebuie eliminată în mod prompt și corespunzător din punct de vedere al siguranței. Păstrați într-un loc inaccesibil copiilor. Înainte de eliminare, protejați bornele expuse cu bandă de izolare, pentru a preveni scurtcircuitarea. Bateria trebuie eliminată în mod corespunzător din punct de vedere al siguranței la centrul dumneavoastră local de reciclare a bateriilor.
- Nu încercați să dezasamblați bateria, să îndepărtați componentele proeminente ale bornelor bateriei și nu o aruncați în foc. Bateria și încărcătorul nu conțin piese care pot fi reparate de către utilizator. Poate fi provocat un incendiu sau răniri.
- Aparatul trebuie deconectat de la sursa principală de alimentare înainte de utilizare sau atunci când se scoate bateria în vederea eliminării. În cazul în care există scurgeri ale bateriei, evitați contactul cu pielea și apelați +800 2672 6677.

PĂSTRAȚI INSTRUCȚIUNILE PENTRU UTILIZARE ULTERIOARĂ

Vă mulțumim!

Ne bucurăm că ați optat pentru un produs Dirt Devil. Sperăm să vă bucurați de utilizarea aparatului dumneavoastră și dorim să vă mulțumim pentru achiziție.

Veți găsi informații suplimentare cu privire la produsul dumneavoastră în prezentul manual de utilizare și pe website-ul nostru www.dirtdevil.de. Pentru a contacta departamentul nostru de service Dirt Devil, consultați datele de contact de la pagina 2.

Date tehnice

Tipul aparatului	Aspirator fără fir
Model	DD778, DD778 (-0/.../-9)
Baterie reîncărcabilă	Li-ion 32 V
Durata max. de funcționare	Aprox. 45 de minute
Durata max. de încărcare	Aprox. 4 ore
Adaptor de rețea	Intrare: 100 – 240 V ~, 1A Ieșire: 34 V, 600 mA
Capacitatea recipientului de colectare a prafului	Cantitate max. de umplere 0,3 l Capacitate max. 0,6 l
Putere	234 W
Greutate	3,1 kg

Protejarea mediului și eliminarea

În cazul în care doriți să eliminați aparatul, scoateți bateria reîncărcabilă și eliminați-o separat de aparat.



Nu eliminați aparatul, bateria reîncărcabilă sau adaptorul de rețea împreună cu deșeurile menajere.



Eliminați aparatul, bateria reîncărcabilă și adaptorul de rețea separat, la punctele de colectare adecvate.

Li-ion

Garanție

În cazul în care ați achiziționat aparatul în calitate de consumator din Uniunea Europeană, legislația națională respectivă implementată în conformitate cu Directiva UE 2011/83/UE se aplică sub forma standardului minim de garanție. În țările non-UE, se aplică cerințele minime de garanție din țara respectivă. Acestea nu se aplică pentru bateriile sau bateriile reîncărcabile care s-au deteriorat sau au avut o durată de viață redusă ca urmare a uzurii normale sau utilizării necorespunzătoare.



Ne rezervăm dreptul de a efectua modificări ale specificațiilor tehnice și de design în scopul îmbunătățirii continue a produsului.

© Royal Appliance International GmbH

PREZENTAREA APARATULUI

Fig. 1

- A. Mâner pentru transport
- B. Recipient de praf
- C. Buton de evacuare a prafului
- D. Capac filtru și filtru
- E. Buton de eliberare recipient de praf
- F. Indicator luminos pentru nivelul bateriei
- G. Buton boost (creștere a puterii de aspirare)
- H. Buton PORNIT/OPRIT pentru rola perie
- I. Buton PORNIT/OPRIT
- J. Port de încărcare
- K. Tub telescopic
- L. Cap de periere
- M. Rolă perie
- N. Încărcător
- O. Suport de perete, 2 șuruburi și dibluri
- P. Locaș pentru accesoriul pentru spații înguste

Conținut figură 2

- A. Accesoriu pentru spații înguste
- B. Perie de praf

Despachetarea și asamblarea

1. Despachetați conținutul livrării și verificați dacă este complet. (Fig. 1 și 2).
2. Atașați tubul telescopic și capul de periere la mâner. Atunci când sunt fixate în poziție, se va auzi un clic (fig. 3).
3. Apăsați locașul pentru accesoriul pentru spații înguste pe partea inferioară a tubului telescopic și fixați accesoriul în poziția sa (fig. 4).

Atașarea suportului pentru perete

1. Fără ca mânerul să fie atașat la tubul telescopic și capul de periere, împingeți suportul pentru perete pe partea superioară și în spatele tubului telescopic. (fig. 5/1).
2. Alegeți un loc pentru depozitarea aspiratorului vertical, de preferat lângă o sursă de alimentare, dar nu direct deasupra sau dedesubtul prizei. Poziționați capul de periere al aspiratorului vertical și tubul lângă perete, pentru a vă asigura că acesta este poziționat orizontal pe podea.

3. Mențineți suportul în mod sigur pe perete și utilizați un creion pentru a realiza un mic semn pentru fiecare șurub. (fig. 5/2) Utilizați șuruburile și diblurile pentru a fixa suportul pe perete.

4. Cablul încărcătorului și peria de praf pot fi atașate la suportul de perete (fig. 6).

5. Asamblați complet aspiratorul vertical și apăsați ferm aspiratorul vertical în suportul de perete pentru a-l fixa. Asigurați-vă întotdeauna că aspiratorul vertical este fixat în siguranță în poziție.

Încărcarea aspiratorului vertical

ATENȚIE Prima încărcare durează 4 ore și va fi necesară înainte de prima utilizare. În cazul în care bateria nu este încărcată complet înainte de prima utilizare, rezultatul poate fi o performanță redusă a bateriei. Durata de viață a bateriei va varia în funcție de modul de utilizare a aspiratorului vertical.

1. Pentru a încărca aspiratorul vertical, fixați în siguranță aspiratorul vertical în suportul de perete. Îl puteți încărca și în poziție portabilă; detașați aspiratorul vertical de la tubul telescopic și poziționați-l pe o suprafață plană, stabilă.
2. Introduceți conectorul încărcătorului în portul de încărcare (fig. 1/J) localizat pe mânerul pentru transport al mânerului și cuplați fișa încărcătorului la sursa de alimentare.
3. Indicatorii luminoși pentru nivelul bateriei vor începe să lumineze pe măsură ce bateria se încarcă, până când luminează toate cele patru indicatoare luminoase (fig. 7/1 și 7/2) După ce încărcarea s-a finalizat, indicatorii luminoși se vor stinge. În cazul în care se încarcă pentru prima oară, durata pentru prima încărcare este de 4 ore.
4. În cazul în care aspiratorul vertical este în uz, indicatorii luminoși pentru nivelul bateriei vor lumina, indicând nivelul de încărcare rămas. Atunci când nivelul de încărcare este mai mic de 20%, indicatorul luminos inferior va lumina roșu

intermitent, indicând faptul că bateria este descărcată și că este necesară încărcarea (fig. 7 /3).

Utilizarea aspiratorului vertical

1. Puneți piciorul pe capul de periere (fig. 8 /1) și trageți mânerul spre spate pentru a-l înclina (fig. 8 /2).



AVERTISMENT: Rola perie din capul de periere se rotește constant atunci când este pornită. Nu utilizați niciodată capul de periere într-un singur loc pentru o perioadă lungă de timp, deoarece rola perie poate deteriora suprafața podelei. Opriti întotdeauna rola perie a capului de periere atunci când curățați podele dure. Pentru a preveni deteriorarea, testați mai întâi pe o suprafață ascunsă a podelei.



PRECAUȚIE: În cazul în care rola perie din capul de periere a fost obstrucționată, este posibil să fie activat senzorul de protecție a motorului rolei perie. Rola perie se va opri și becul de pe capul de periere va lumina roșu (fig. 18). Pentru a reseta, opriti rola perie și aspiratorul vertical, îndepărtați capul de periere de la tubul telescopic/mâner și îndepărtați obiectele care obstrucționează. Așteptați un minut înainte de a atașa din nou capul de periere, conectați aspiratorul vertical și apăsați butonul PORNIT/OPRIT de la rola perie.

2. Pentru a porni aspiratorul vertical, apăsați butonul PORNIT/OPRIT aflat pe mâner. (Fig. 9 /1) Butonul pornit/oprit și indicatoarele luminoase pentru nivelul bateriei de pe mâner vor lumina (fig. 7 /2).

3. Pentru a crește puterea de aspirare pentru zonele cu un grad mare de murdărie, care necesită o curățare suplimentară, poate fi activat modul boost (creștere putere de aspirare) (fig. 9 /3).

4. Pentru a porni rola perie, apăsați butonul PORNIT/OPRIT al rolei perie (fig. 9 /2). Becurile PORNIT/OPRIT

de pe capul de periere și de pe rola perie vor lumina atunci când rola perie este pornită și aceasta se va roti constant. Apăsați din nou butonul PORNIT/OPRIT al rolei perie pentru a o opri.

ATENȚIE: Rola perie de periere a capului trebuie să fie PORNITĂ pentru covoare și OPRITĂ pentru podele dure. Utilizarea constantă a modului boost și a rolei perie va reduce durata de viață a bateriei.

5. Toate accesoriile, inclusiv capul de periere, pot fi atașate direct la mâner (fig. 10) sau la tubul telescopic. Accesoriul pentru spații înguste și peria pentru praf pot fi utilizate pentru locurile greu accesibile și la diferite înălțimi pentru curățarea podelelor suspendate.

ÎNTREȚINEREA ASPIRATORULUI VERTICAL

Scoaterea și remontarea recipientului de praf



AVERTISMENT: Opriti întotdeauna aspiratorul vertical și decuplați-l de la încărcător și sursa principală de alimentare înainte de a efectua lucrările de întreținere sau remediere a defecțiunilor.

1. Apăsați butonul de eliberare de la recipientul de praf (fig. 11 /1) pentru a-l elibera, apoi înclinați și ridicați recipientul de praf pentru a-l scoate din aspiratorul vertical (fig. 11 /2).

ATENȚIE: În cazul în care capacul unui recipient cu separator a fost îndepărtat pentru curățare, înainte de remontare asigurați-vă că separatorul a fost montat la loc și capacul a fost fixat în poziție (fig. 13 /1).

2. Pentru a-l monta din nou, aliniați conectorul recipientului de praf cu mânerul aspiratorului vertical. (Fig. 12 /1) Apăsați butonul de eliberare a recipientului de praf (fig. 12 /2) și împingeți recipientul de praf pe aspiratorul vertical.

Eliberați butonul de eliberare a recipientului de praf pentru a fixa în poziție recipientul de praf.

3. Atunci când este montat corect, toate cele 3 puncte de cuplare vor fi aliniate și se vor afla la același nivel (fig. 13).

Golirea recipientului de praf

1. Apăsăți butonul de eliberare a recipientului de praf (fig. 11/1) pentru a-l elibera, apoi înclinați și ridicați recipientul de praf pentru a-l scoate din aspiratorul vertical (fig. 11/2).

2. Țineți recipientul de praf deasupra unui coș de gunoi și apăsați butonul pentru evacuarea prafului pentru a permite prafului și resturilor să cadă. (Fig. 14/1 & 2).

3. Pentru a-l închide, apăsați clapeta de evacuare a murdăriei până când este fixată în poziție (Fig. 14/3).



PRECAUȚIE: Nu încărcăți în exces

recipientul de praf, pentru a evita blocarea jetului de aer din aspiratorul vertical. Pentru rezultate optime de curățare, goliți recipientul de praf după fiecare utilizare. Filtrele trebuie scuturate deasupra unui coș de gunoi la fiecare 4-6 utilizări, pentru a îndepărta murdăria și resturile, și trebuie spălate la fiecare 3 luni. Filtrele trebuie înlocuite la fiecare 6-9 luni, în funcție de gradul de utilizare.

Curățarea filtrului și separatorului

1. Goliți recipientul de praf (fig. 14).

2. Ridicați elementul de prindere de pe capacul recipientului de murdărie (fig. 15/1 și 2). Ridicați capacul filtrului și separatorul din recipientul de murdărie (fig. 15/3).

3. Scuturați separatorul deasupra unui coș de gunoi pentru a îndepărta murdăria și resturile și ștergeți carcasa cu o lavetă uscată (fig. 16/1).

4. Trageți elementul de prindere pe filtru pentru a-l îndepărta de la separator (fig. 16/2). Scuturați filtrul la coșul de gunoi pentru a îndepărta murdăria și reziduurile (fig. 16/3).

5. Spălați filtrul sub jet de apă (40°C max.) (fig. 17). Lăsați-l 24 de ore sau până se usucă complet înainte de a-l monta la loc.

Curățarea și remontarea rolei perie a capului de periere

1. Utilizând o monedă, apăsați și rotiți rola perie în sens anti-orar pentru a o elibera (fig. 19/1).

2. Trageți rola perie din carcasa acesteia (fig. 20/1).

3. Pentru a îndepărta toate firele textile sau firele de păr, introduceți lama unei foarfece în fanta de pe rola perie și tăiați de-a lungul fantei. Curățați murdăria/resturile din capacele finale și din interiorul carcasei capului de periere (fig. 21).

4. Montați la loc rola perie (fig. 20/2) și rotiți dispozitivul de blocare a rolei perie în sens orar pentru a o bloca (fig. 19/2).

Îndepărtarea și remontarea curelei capului de periere

1. Utilizând o șurubelniță cu cap în formă de cruce, deșurubați cele 3 șuruburi și scoateți capacul (fig. 22/1).

2. În cazul în care cureaua este ruptă, scoateți cureaua uzată și îndepărtați resturile dintre rotițe. Pentru a repositiona cureaua, prindeți mai întâi cureaua de rotița mică. Împingeți cureaua deasupra rotiței mari și rotiți cureaua și rotița în sens anti-orar. În timpul rotirii, cureaua va aluneca pe rotiță (fig. 22/2).

3. Montați la loc capacul curelei și strângeți șuruburile pentru a-l fixa.

Verificarea cu privire la blocaje

1. Apăsăți butonul de eliberare a mânerului și scoateți tubul telescopic. Verificați și curățați murdăria și resturile de pe punctul de cuplare a mânerului și orificiul de admisie al recipientului de praf. (fig. 23/1).
2. Verificați capul de periere cu privire la blocaje și utilizați un obiect neascuțit pentru a elimina blocajul. (fig. 23/2).
3. Pentru a verifica dacă există blocaje în tubul telescopic, introduceți o biluță de hârtie în tub. Dacă tubul este curat, hârtia va trece prin acesta. Utilizați o coadă de mătură sau un obiect neascuțit asemănător pentru a elimina blocajele (fig. 23/3).

ACCESORII ȘI PIESE DE SCHIMB

Vizitați-ne pe Internet la:

www.dirtdevil.de

Pe pagina noastră web găsiți o mare varietate de Piese de schimb & Accesorii, precum și Recomandări & Sfaturi practice cu privire la produsul Dirt-Devil.

REMEDIEREA DEFECȚIUNILOR

Lipsește un accesoriu

Verificați conținutul setului de livrare (fig. 2).

De ce nu pornește aspiratorul vertical?

■ Este posibil să fie necesară încărcarea aspiratorului vertical. Consultați **Încărcarea aspiratorului vertical**.

■ Termostatul motorului s-a declanșat. Goliți recipientul de praf și verificați cu privire la blocaje. Curățați filtrele și lăsați aspiratorul vertical să se răcească timp de aproximativ 1 oră. În cazul în care ați spălat filtrele, așteptați 24 de ore pentru a se usca complet înainte de a le monta la loc în aspiratorul vertical.

De ce nu aspiră aspiratorul vertical?

■ Este posibil ca recipientul de praf să nu fie corect montat. Consultați **Scoaterea și remontarea recipientului de praf**.

■ Este posibil ca recipientul de praf să fie blocat. Verificați recipientul de praf și orificiul de admisie al mânerului cu privire la blocaje. Consultați **Golirea recipientului de praf**.

■ Este posibil ca filtrele să fie colmatate. Consultați **Curățarea filtrului și separatorului**.

■ Este posibil să existe un blocaj. Consultați

Verificarea cu privire la blocaje.

■ Rola perie de la capul de periere nu a fost activată. Consultați **Utilizarea aspiratorului vertical**.

■ Este posibil să fie blocat capul de periere. Consultați **Curățarea și remontarea rolei perie a capului de periere**.

■ Este posibil ca aspiratorul vertical, capul de periere și tubul telescopic să nu fie corect montate. Consultați **Despachetarea și asamblarea**.

De ce luminează un bec roșu pe unitate?

■ Bateria este descărcată (<20%).

Consultați **Încărcarea aspiratorului vertical**.

De ce luminează un bec roșu pe capul de periere?

■ Rola perie a capului de periere a fost obstrucționată. Consultați **Curățarea și remontarea rolei perie a capului de periere**.

De ce nu pornește capul de periere?

■ Rola perie de la capul de periere nu a fost activată. Consultați **Utilizarea aspiratorului vertical**.

■ Este posibil ca accesoriul/rola perie să fie obstrucționat/ă. Consultați **Curățarea și remontarea rolei perie a capului de periere**.

■ Este posibil ca aspiratorul vertical, capul de periere și tubul telescopic să nu fie corect montate. Consultați **Despachetarea și asamblarea**.

■ Este posibil să fie ruptă cureaua. Consultați **Îndepărtarea și remontarea curelei capului de periere**.

Înainte de a contacta departamentul serviciului pentru clienți Dirt Devil sau de a trimite aparatul la departamentul serviciului pentru clienți Dirt Devil, veți găsi o mulțime de informații suplimentare în zona de service de pe website-ul nostru, care vă vor ajuta să vă soluționați problemele.

www.dirtdevil.de/service

ИНФОРМАЦИЯ ЗА БЕЗОПАСНОСТТА

За това ръководство за потребителя

Преди да използвате машината, прочетете изцяло това ръководство за потребителя. Запазете го за бъдещи справки. При предаване на трети лица машината трябва да бъде придружена от това ръководство за потребителя. Неспазването на това ръководство за потребителя може да доведе до тежки наранявания или повреда на машината. Не поемаме отговорност за щети, причинени в резултат на неспазване на това ръководство за потребителя. Важната информация, която не е включена в тази глава, е обозначена, както следва:



ПРЕДУПРЕЖДЕНИЕ: Предупреждава за опасности за здравето и идентифицира възможни рискове от нараняване.



ВНИМАНИЕ: Обозначава възможни опасности за машината или други предмети.

ЗАБЕЛЕЖКА Посочва съвети и информация.

Обща употреба

Този вертикална прахосмукачка е предназначена само за домашна, а НЕ за търговска или промишлена употреба.

- Използвайте вертикалната прахосмукачка само на закрито за сухи повърхности и поддържайте зоната, която почиствате, добре осветена.
- Не засмуквайте твърди или остри предмети като стъкла, гвоздеи, винтове, монети и т.н.
- Не засмуквайте горещи въглени, угарки от цигари, кибритени клечки или каквито и да са горещи или горящи предмети.
- Не използвайте в мокри помещения или на места, където може да има вредни течности (хлор, белина, амоняк, очистител за дренажни тръби и т.н).
- Не опитвайте да отстранявате запушвания с остри предмети, тъй като това може да повреди вертикалната прахосмукачка.

■ Използвайте само препоръчани от Dirt Devil зарядни устройства, накрайници и приставки. Преди употреба винаги проверявайте дали по накрайника за под и приставките няма повреди, прах и замърсявания.

■ Винаги спирайте или изключвайте вертикалната прахосмукачка от зарядното устройство преди извършване на поддръжка. Направете справка в съответния раздел от ръководството за потребителя, за да се запознаете с необходимите предпазни мерки.

■ Винаги проверявайте дали сепараторът и филтрите са поставени правилно преди използване на вертикалната прахосмукачка.

■ Поддържайте всички отвори открити и без замърсяване, тъй като това може да повлияе на въздушния поток/всмукуването.

■ Когато чистите стълбище с вертикалната прахосмукачка, подхождайте с особено внимание.

Безопасност



ПРЕДУПРЕЖДЕНИЕ: Винаги спирайте и изключвайте вертикалната прахосмукачка от зарядното устройство и електрическата мрежа преди извършване на поддръжка или откриване и отстраняване на неизправности.



ВНИМАНИЕ: Не препълвайте контейнера за прах, за да избегнете блокиране на въздушния поток през вертикалната прахосмукачка. За да постигнете оптимални резултати от почистването, след всяка употреба изпразвайте контейнера за прах. Филтрите трябва да се изтупват над кошче за боклук на всеки 4-6 употреби, за да се премахнат замърсяванията и праха, и да се изпират на всеки 3 месеца. Филтрите трябва да се сменят на всеки 6-9 месеца в зависимост от степента на употреба.

■ Тази вертикална прахосмукачка може да бъде използвана от деца на възраст над 8 години и лица с понижени физически, сетивни или ментални

възможности и от лица без опит и познания, ако те бъдат наблюдавани или инструктирани по отношение на използването на вертикалната прахосмукачка по безопасен начин и разберат свързаните с това опасности. Вертикалната прахосмукачка не е предназначена за игра от деца. Почистването и поддръжката, извършвана от страна на потребителя, не трябва да се прави от деца, които са без надзор.

- Пазете пръстите, косата си и свободните дрехи на разстояние от подвижни части и отвори, докато използвате вертикалната прахосмукачка.

- Не използвайте вертикалната прахосмукачка, ако е била изпусната, повредена, потопена във вода или оставена на открито.

- Не включвайте щепсела на зарядното устройство и не използвайте вертикалната прахосмукачка с мокри ръце.

- Не използвайте зарядното устройство на вертикалната прахосмукачка, ако защитният кабел или щепселът са повредени.

- Не изключвайте зарядното устройство чрез дърпане на кабела.

Захранване

- Не зареждайте вертикалната прахосмукачка на открито и не оставяйте зарядното устройство свързано към електрическата мрежа, когато не се използва.

- Не използвайте вертикалната прахосмукачка с неподходящо зарядно устройство, тъй като това може да предизвика повреда или да нарани потребителя. Информацията за подходящото зарядно устройство е описана на етикета, предоставящ техническа информация.

- Винаги използвайте зарядното устройство, доставено с вертикалната прахосмукачка. Ако зареждате вертикалната прахосмукачка чрез удължител, използвайте само 13-амперови удължители с CE маркировка, тъй като неодобрените удължители може да прегреят. При разполагането на удължителя трябва да се внимава, тъй като той може да представлява риск от спъване.

Въртяща се четка



ПРЕДУПРЕЖДЕНИЕ: Четката в

задвижваната глава се върти непрекъснато, когато е включена. Никога не използвайте задвижваната глава на едно и също място за дълъг период от време, тъй като въртящата се четка може да повреди повърхността на пода. Винаги изключвайте въртящата се четка на задвижваната глава, когато почиствате твърди подови настилки. За да предотвратите повреда, първо тествайте на не толкова видима част от подовата настилка.



ВНИМАНИЕ: Ако въртящата се четка в

задвижваната глава е блокирала, сензорът за защита на мотора на въртящата се четка може да се е задействал. Въртящата се четка ще спре да се движи, а индикаторът на задвижваната глава ще светне в червено. За да нулирате, изключете въртящата се четка и вертикалната прахосмукачка, свалете задвижваната глава от телескопичната тръба/ръчния уред и почистете запушванията. Изчакайте 1 минута, преди да поставите отново задвижваната глава, включете вертикалната прахосмукачка и натиснете бутон ON/OFF за въртящата се четка.

Съхранение

- Съхранявайте вертикалната прахосмукачка на прохладно и сухо място. Ако филтрите са били почистени съгласно инструкциите в ръководството за потребителя, проверете дали са напълно изсъхнали, преди да ги приберете. Тази вертикална прахосмукачка не може да стои изправена без непрекъснато придържане. Когато не използвате прахосмукачката за кратко, оставяйте я легнала на подходящо място на пода, така че да не представлява риск от спъване и да не бъде настъпвана.

Батерия и изхвърляне



ВНИМАНИЕ: Ако се третира неправилно, батерията, използвана в този уред, може да създаде риск от пожар или химическо изгаряне. Не разглобявайте, не изгаряйте и не нагривайте над максималната температура, предписана от производителя (60°C/140°F). Използването на друга батерия може да създаде риск от пожар или експлозия.

■ Батерията трябва да се извади от уреда преди изхвърляне. Използваната батерия трябва да се изхвърли безопасно и своевременно. Пазете далеч от деца. Преди изхвърляне защитете откритите клеми с изолационна лента, за да предотвратите късо съединение. Батерията трябва да се изхвърли по безопасен начин в местния пункт за рециклиране на батерии.

■ Не правете опити да разглобявате батерията, да вадите компонентите ѝ, които стърчат от клемите, и не я хвърляйте в огън. Батерията и зарядното устройство нямат части, които могат да се обслужват от потребителя. Това може да доведе до пожар или нараняване.

■ Уредът трябва да се изключва от захранването преди употреба или изваждане на батерията за изхвърляне. В случай на изтичане на батерията избягвайте контакт с кожата и се обадете на телефон +800 2672 6677.

ЗАПАЗЕТЕ ИНСТРУКЦИИТЕ ЗА БЪДЕЩА УПОТРЕБА

Благодарим ви!

Радваме се, че сте решили да купите продукт на Dirt Devil. Надяваме се, че се наслаждавате на уреда си и бихме искали да ви благодарим за покупката.

Допълнителна информация за продукта ще намерите в това ръководство за работа или на нашия уебсайт www.dirtdevil.de. За да се свържете с отдела за обслужване на клиенти на Dirt Devil, вижте данните за контакт на страница 2.

Технически данни

Тип на уреда	Безжична прахосмукачка
Модел	DD778, DD778 (-0/.../-9)
Акумулаторна батерия	Li-ion 32V
Макс. време на работа	прибл. 45 мин.
Макс. време за зареждане	прибл. 4 часа
Захранващ адаптер	Вход: 100 – 240 V ~, 1A Изход: 34 V, 600 mA
Капацитет на колектора за прах	макс. напълване 0.3l, макс. капацитет 0.6l
Мощност	234 W
Тегло	3,1 kg

Защита на околната среда и изхвърляне

Ако желаете да изхвърлите уреда, извадете акумулаторната батерия. Акумулаторната батерия и уреда се изхвърлят поотделно.



Не изхвърляйте уреда, акумулаторната батерия и захранващия адаптер с битовите отпадъци.



Изхвърлете уреда, акумулаторната батерия и захранващия адаптер поотделно в съответните пунктове за събиране.

Li-ion

Гаранция

Ако сте закупили уреда в рамките на Европейския съюз, като минимален стандарт за гаранцията се прилага приложимото национално законодателство на базата на Директива 2011/83/ЕС. В държавите извън ЕС са в сила минималните изисквания за гаранция на съответната страна. Това не се отнася за стандартни или акумулаторни батерии, които са дефектни или са с намален експлоатационен живот в резултат на нормално износване или неправилно боравене.



Запазваме си правото да извършваме промени по техническите и конструктивните спецификации в интерес на непрекъснатото усъвършенстване на продукта.

© Royal Appliance International GmbH

ЗАПОЗНАВАНЕ С МАШИНАТА

Фиг. 1

- A. Дръжка за носене
- B. Контейнер за прах
- C. Бутон за освобождаване на замърсяванията
- D. Капак на филтъра и филтър
- E. Ключалка за освобождаване на контейнера за прах
- F. Индикатор за нивото на батерията
- G. Турбо бутон
- H. Бутон за включване/изключване (ON/OFF) на въртящата се четка
- I. Бутон за включване/изключване (ON/OFF)
- J. Порт за зареждане
- K. Телескопична тръба
- L. Задвижвана глава
- M. Въртяща се четка
- N. Зарядно устройство
- O. Стойка за стена, 2 винта и дюбели
- P. Скоба за съхранение на крайника за фуги и ъгли

Съдържание Фиг. 2

- A. Крайник за фуги и ъгли
- B. Четка за прах

Разопаковане и сглобяване

1. Разопакувайте съдържанието и го проверете за липси. (Фиг. 1 и 2).
2. Закрепете телескопичната тръба и задвижваната глава за ръчния уред. Те ще изщракат, когато се заключат (Фиг. 3).
3. Натиснете скобата за съхранение на крайника за фуги и ъгли върху долната част на телескопичната тръба и намерете правилното място (Фиг. 4).

Поставяне на стойката за стена

1. Без ръчния уред да е закачен към телескопичната тръба и задвижваната глава, натиснете стенната конзола върху горната и задната част на телескопичната тръба. (Фиг. 5/1).
2. Изберете място за съхранение на вертикалната прахосмукачка. За предпочитане е в близост до електрическото хранване, но не директно

над или под контакта. Изправете задвижваната глава и телескопичната тръба на вертикалната прахосмукачка до стената и проверете дали задвижваната глава лежи на пода.

3. Придържайте добре стенната конзола към стената и с помощта на молив отбележете леко местоположението на всеки винт. (Фиг. 5/2) Използвайте винтовете и дюбелите, за да фиксирате конзолата за стената.
4. Захранващият кабел и четката за прах може да се закачат на стенната конзола (Фиг. 6).
5. Сглобете цялата вертикална прахосмукачка и я натиснете, за да се фиксира в стенната конзола. винаги проверявайте дали вертикалната прахосмукачка е добре заключена.

Зареждане на вертикалната прахосмукачка

ЗАБЕЛЕЖКА Първоначалното зареждане продължава 4 часа и трябва да се извърши преди първата употреба. Непълното зареждане преди първата употреба може да доведе до ниска ефективност на батерията. Очакваната продължителност на живота на батерията варира в зависимост от използването на вертикалната прахосмукачка.

1. За да заредите вертикалната прахосмукачка, фиксирайте я в стенната конзола. Можете да я заредите и като ръчен уред; разкачете вертикалната прахосмукачка от телескопичната тръба и крайниците и я поставете върху стабилна равна повърхност.
2. Включете кабела на зарядното устройство в порта за зареждане (Фиг. 1/1), разположен на дръжката за носене на ръчния уред, и вкарайте щепсела на зарядното устройство в електрическата мрежа.
3. Индикаторите за нивото на батерията светват и изгасват един след друг, докато батерията се зарежда (Фиг. 7/1 и 7/2). След като батерията се зареди напълно, индикаторите ще изгаснат. Първоначалното време за зареждане е 4 часа.
4. По време на използване на вертикалната прахосмукачка индикаторите за ниво на батерията

светят и показват оставащия заряд. Когато зарядът падне под 20%, долният индикатор ще започне да мига в червено, което показва, че батерията е изтощена и трябва да се зареди (Фиг. 7/3).

Използване на вертикалната прахосмукачка



ПРЕДУПРЕЖДЕНИЕ: Четката в задвижваната глава се върти непрекъснато, когато е включена. Никога не използвайте задвижваната глава на едно и също място за дълъг период от време, тъй като въртящата се четка може да повреди повърхността на пода. Винаги изключвайте въртящата се четка на задвижваната глава, когато почиствате твърди подови настилки. За да предотвратите повреда, първо тествайте на не толкова видима част от подовата настилка.



ВНИМАНИЕ: Ако въртящата се четка в задвижваната глава е блокирала, сензорът за защита на мотора на въртящата се четка може да се е задействал. Въртящата се четка ще спре да се движи, а индикаторът на задвижваната глава ще светне в червено. (Фиг. 18). За да нулирате, изключете въртящата се четка и вертикалната прахосмукачка, свалете задвижваната глава от телескопичната тръба/ръчния уред и почиствате запушванията. Изчакайте 1 минута, преди да поставите отново задвижваната глава, включете вертикалната прахосмукачка и натиснете бутон ON/OFF за въртящата се четка.

1. Сложете крака си върху задвижваната глава (Фиг. 8/1) и издърпайте дръжката назад, за да се наклони (Фиг. 8/2).
2. За да включите вертикалната прахосмукачка, натиснете бутона ON/OFF, разположен на дръжката. (Фиг. 9/1) Бутонът On/Off и индикаторите за ниво на батерията на дръжката ще светнат (Фиг. 7/2).
3. За да увеличите всмукателната мощност при наличието на силно замърсени места, които изискват допълнително почистване, можете да активирате турбо режима (Фиг. 9/3).

4. За да включите въртящата се четка, натиснете бутон ON/OFF за въртящата се четка (Фиг. 9/2). Индикаторът за задвижваната глава и индикаторът за включване/изключване на въртящата се четка светят, когато четката е включена и се върти непрекъснато. За да изключите въртящата се четка, натиснете отново бутона ON/OFF за въртящата се четка.

ЗАБЕЛЕЖКА: Въртящата се четка на задвижващата трябва трябва да е включена (ON) при почистването на килими и изключена (OFF) при почистването на твърди подови настилки. Непрекъснатото използване на турбо режима и на въртящата се четка ще намали времето за работа на батерията.

5. Всички приставки, включително задвижваната глава, могат да се закачат директно към ръчния уред (Фиг. 10) или телескопичната тръба. Накрайникът за фуги и ъгли и четката за прах могат да се използват за почистване на труднодостъпни места и почистване на различни височини.

ПОДДРЪЖКА НА ВЕРТИКАЛНАТА ПРАХОСМУКАЧКА



ПРЕДУПРЕЖДЕНИЕ: Винаги спирайте и изключвайте вертикалната прахосмукачка от зарядното устройство и електрическата мрежа преди извършване на поддръжка или откриване и отстраняване на неизправности.

Сваляне и поставяне на контейнера за прах

1. Натиснете ключалката на контейнера за прах (Фиг. 11/1), за да го освободите. Наклонете и повдигнете контейнера за прах, за да го извадите от вертикалната прахосмукачка. (Фиг. 11/2).

ЗАБЕЛЕЖКА: Ако капакът на контейнера със сепаратор е бил свален за почистване, преди да го върнете, проверете дали сепараторът е поставен и дали капакът е заключен. (Фиг. 13/1).

2. За да го поставите отново, изравнете конектора на контейнера с дръжката на вертикалната прахосмукачка. (Фиг. 12/1) Натиснете ключалката за освобождаване на контейнера за прах (Фиг. 12/2) и вкарайте контейнера за прах във вертикалната прахосмукачка. Освободете ключалката на контейнера за прах, за да заключите контейнера за прах.

3. При правилно поставяне и трите точки на свързване ще бъдат изравнени (Фиг. 13).

Изпражнение на контейнера за прах

1. Натиснете ключалката на контейнера за прах (Фиг. 11/1), за да го освободите. Наклонете и повдигнете контейнера за прах, за да го извадите от вертикалната прахосмукачка (Фиг. 11/2).

2. Задръжте контейнера за прах над кошче за боклук и натиснете бутона за освобождаване на замърсяванията, за да паднат замърсяванията и праха. (Фиг. 14/1 и 2).

3. За да затворите, натиснете вратата за освобождаване на замърсяванията, докато се заключи (Фиг. 14/3).



ВНИМАНИЕ: Не препълвайте контейнера за прах, за да избегнете блокиране на въздушния поток през вертикалната прахосмукачка. За да постигнете оптимални резултати от почистването, след всяка употреба изпражвайте контейнера за прах. Филтрите трябва да се изтупват над кошче за боклук на всеки 4-6 употреби, за да се премахнат замърсяванията и праха, и да се изпират на всеки 3 месеца. Филтрите трябва да се сменят на всеки 6-9 месеца в зависимост от степента на употреба.

Почистване на филтъра и сепаратора

1. Изпразнете контейнера за прах (Фиг. 14).

2. Вдигнете езичето на капака на контейнера за прах (Фиг. 15/1 и 2). Вдигнете капака на филтъра и сепаратора от контейнера за прах (Фиг. 15/3).

3. Изтупайте сепаратора над кошче за боклук, за да премахнете праха и замърсяванията, и избършете металния кожух със суха кърпа (Фиг. 16/1).

4. Издърпайте езичето на филтъра, за да го извадите от сепаратора (Фиг. 16/2). Изтупайте филтъра над кошчето за боклук, за да премахнете праха и замърсяванията (Фиг. 16/3).

5. Измийте филтъра под течаща вода (макс. 40°C) (Фиг. 17). Преди да го поставите отново, оставете го да съхне минимум 24 часа или до пълно изсъхване.

Почистване и смяна на въртящата се четка в задвижваната глава

1. С помощта на монета натиснете и завъртете заключващия елемент на въртящата се четка срещу часовниковата стрелка, за да освободите въртящата се четка (Фиг. 19/1).

2. Издърпайте въртящата се четка от корпуса (Фиг. 20/1).

3. За да премахнете нишките и космите, плъзнете острието на ножиците в жлеба на въртящата се четка и изрежете по жлеба. Почистете праха/ замърсяванията от крайните капачки и корпуса на задвижваната глава (Фиг. 21).

4. Поставете отново въртящата се четка (Фиг. 20/2) и завъртете заключващия елемент на въртящата се четка по часовниковата стрелка, за да го заключите (Фиг. 19/2).

Сваляне и смяна на ремъка на задвижваната глава

1. С помощта на кръстата отвертка развийте трите винта и свалете капака (Фиг. 22/1).

2. Ако ремъкът е повреден, извадете го и почистете замърсяванията по зъбните колела. За да смените ремъка, първо го закачете за малкото зъбно колело. Преместете ремъка над горната част на голямото зъбно колело, след което завъртете ремъка и зъбното колело обратно на часовниковата стрелка. По време на въртенето ремъкът ще се намести върху зъбното колело (Фиг. 22/2).

3. Поставете отново капака на ремъка и затегнете винтовете, за да фиксирате.

Проверка за запушвания

1. Натиснете бутона за освобождаване на ръчния уред и махнете телескопичната тръба. Проверете и евентуално почистете праха и замърсяванията в точката на свързване на ръчния уред и входа. (Фиг. 23/1).

2. Проверете задвижваната глава за запушвания и използвайте тъп предмет, за да премахнете запушването. (Фиг. 23/2).

3. За да тествате дали е премахнато запушването в телескопичната тръба, пуснете топченце хартия в тръбата. Ако няма запушвания, хартията ще падне от другата страна. За да премахнете запушванията, използвайте дръжката на метла или подобен тъп предмет (Фиг. 23/3).

ПРИНАДЛЕЖНОСТИ И РЕЗЕРВНИ ЧАСТИ

Посетете ни в интернет на адрес:

www.dirtdevil.de

На нашия уебсайт ще намерите голям асортимент от резервни части и аксесоари, както и практични съвети и трикове за Вашия продукт Dirt Devil.

ОТКРИВАНЕ И ОТСТРАНЯВАНЕ НА НЕИЗПРАВНОСТИ

Някоя от приставките липсва

Проверете съдържанието (Фиг. 2).

Защо липсва мощност на вертикалната прахосмукачка?

■ Вертикалната прахосмукачка вероятно трябва да се презареди. Отидете на раздел **Зареждане на вертикалната прахосмукачка**.

■ Термостатът на двигателя може да се е задействал. Изпразнете контейнера за прах и проверете за запушвания. Почистете филтрите и оставете вертикалната прахосмукачка да се охлажда в продължение на приблизително 1 час. Ако сте изпрали филтрите, изчакайте 24 часа, за да изсъхнат напълно, преди да ги върнете обратно във вертикалната прахосмукачка.

Защо не смуче вертикалната прахосмукачка?

■ Контейнерът за прах може да не е поставен правилно. Вижте **Сваляне и поставяне на контейнера за прах**.

■ Контейнерът за прах може да е блокирал. Проверете контейнера за прах и отвора на ръчния уред за запушвания. Отидете на раздел **Изпразване на контейнера за прах**.

■ Филтрите може да са запушени. Отидете на раздел **Почистване на филтъра и сепаратора**.

■ Може да има запушване. Отидете на раздел **Проверка за запушвания**.

■ Въртящата се четка в задвижваната глава не е била задействана. Отидете на раздел **Използване на вертикалната прахосмукачка**.

■ Задвижваната глава може да е блокирала. Отидете на раздел **Почистване и смяна на въртящата се четка в задвижваната глава**.

■ Вертикалната прахосмукачка, задвижваната глава и телескопичната тръба може да не са поставени правилно. Отидете на раздел **Разопаковане и сглобяване**.

Защо има червена светлина на уреда?

■ Зарядът на батерията е нисък (<20%).

Отидете на раздел **Зареждане на вертикалната прахосмукачка**.

Защо има червена светлина на задвижваната глава?

■ Въртящата се четка в задвижваната глава е блокирала. Отидете на раздел **Почистване и смяна на въртящата се четка в задвижваната глава**.

Защо не може да се включи задвижваната глава?

■ Въртящата се четка в задвижваната глава не е била задействана. Отидете на раздел **Използване на вертикалната прахосмукачка**.

■ Накрайникът/въртящата се четка може да е блокирал/а. Отидете на раздел **Почистване и смяна на въртящата се четка в задвижваната глава**.

■ Вертикалната прахосмукачка, задвижваната глава и телескопичната тръба може да не са поставени правилно. Отидете на раздел **Разопаковане и сглобяване**.

■ Ремъкът на крайника може да е повреден. Отидете на раздел **Почистване и смяна на ремъка на задвижваната глава**.

Преди да се свържете с отдела за обслужване на клиенти или изпратите уреда в сервиза на Dirt Devil, посетете нашия уебсайт, където в раздел „Сервиз“ ще намерите много допълнителна информация, която ще Ви помогне да разрешите някои от проблемите.

www.dirtdevil.de/service

SIGURNOSNE INFORMACIJE

O ovom korisničkom vodiču

Prije upotrebe uređaja pročitajte u cijelosti ovaj korisnički vodič. Čuvajte ovaj korisnički vodič kao referencu. Ako uređaj prosljedite trećoj strani, s njim joj morate dati i ovaj korisnički vodič. Nepridržavanje uputa iz ovog korisničkog vodiča može dovesti do ozbiljnih ozljeda ili oštećenja uređaja. Ne preuzimamo odgovornost za štetu nastalu zbog nepridržavanja uputa iz ovog korisničkog vodiča. Važne informacije koje nisu uključene u ovo poglavlje navedene su u nastavku:



UPOZORENJE: Upozorava na opasnosti za zdravlje i upućuje na moguće rizike od ozljeda.



OPREZ: Označava moguće opasnosti za uređaj ili druge predmete.

NAPOMENA Ističe savjete i informacije.

Opća uporaba

Ovaj štapni usisivač namijenjen je samo za kućnu upotrebu, NE za komercijalnu ili industrijsku uporabu.

- Štapni usisivač upotrebljavajte samo u zatvorenim prostorima i na suhim površinama, a područje koje čistite treba biti dobro osvijetljeno.
- Ne usisavajte tvrde ili oštre predmete kao što su staklo, čavli, vijci, kovanice itd.
- Ne usisavajte užareni ugljen, opuške cigarete, šibice ili predmete koji gore ili dime.
- Ne upotrebljavajte proizvod u mokrim područjima ili ondje gdje bi moglo biti štetnih tekućina (klor, izbjeljivači i amonijak za odčepljivanje odvoda).
- Ne pokušavajte odstraniti začepjenja oštrim predmetima jer bi to moglo oštetiti vaš štapni usisivač.

- Sa štapnim usisivačem trebali bi se upotrebljavati samo preporučeni punjač, alati i dodatni pribor marke Dirt Devil te je prije upotrebe uvijek potrebno provjeriti da na podnoj četki i dodatnom priboru nema oštećenja, prljavštine i otpadaka.
- Prije bilo kakvog održavanja uvijek isključite štapni usisivač ili ga iskopčajte iz punjača. Pročitajte odgovarajući odjeljak u korisničkom vodiču da biste pregledali potrebne mjere opreza.
- Prije upotrebe štapnog usisivača uvijek provjerite jesu li separator i filtri pravilno namješteni.
- Održavajte sve otvore čistima i slobodnima od otpadaka jer oni mogu utjecati na protok zraka / usis.
- Budite dodatno oprezni prilikom uporabe štapnog usisivača na stepenicama.



UPOZORENJE: Uvijek isključite štapni usisivač i iskopčajte ga iz punjača i električne mreže prije izvođenja bilo kojeg zahvata za održavanje ili rješavanje problema.



OPREZ: Nemojte prepunjavati spremnik za prljavštinu kako se ne bi blokirao protok zraka kroz štapni usisivač. Za najbolje rezultate čišćenja, spremnik za prljavštinu ispraznite nakon svake uporabe. Filtre bi trebalo otresti iznad kante za smeće svakih 4 – 6 uporaba kako bi se uklonila prljavština i otpaci te oprati svaka tri mjeseca. Filtre bi trebalo zamijeniti svakih 6 – 9 mjeseci ovisno o stupnju uporabe.

Sigurnost

- Ovim se štapnim usisivačem mogu koristiti djeca u dobi od 8 i više godina i osobe sa smanjenim fizičkim, osjetilnim ili mentalnim sposobnostima ili osobe koje nemaju dovoljno iskustva i znanja ako ih se nadzire ili uputi u sigurnu uporabu štapnog usisivača te ako razumiju povezane opasnosti. Djeca se ne smiju igrati sa štapnim usisivačem. Čišćenje i održavanje uređaja ne smiju obavljati djeca bez nadzora.

- Dok upotrebljavate štapni usisivač držite prste, kosu i lepršavu odjeću dalje od dijelova u pokretu i otvora.
- Ne upotrebljavajte štapni usisivač ako vam je pao, ako je oštećen, ako je bio uronjen u vodu ili ostavljen na otvorenom.
- Ne rukujte utikačem punjača niti upotrebljavajte štapni usisivač mokrim rukama.
- Ne upotrebljavajte punjač štapnog usisivača ako su kabel ili utikač punjača oštećeni.
- Ne iskopčavajte punjač tako da potežete za njegov kabel.

Napajanje

- Ne puniti štapni usisivač na otvorenom niti ostavljate punjač priključen na električnu mrežu kada nije u upotrebi.
- Ne upotrebljavajte štapni usisivač s neodgovarajućim punjačem jer to može dovesti do oštećenja ili ozljede korisnika. Točni podaci o punjaču navedeni su na oznaci sa specifikacijama.
- Uvijek upotrebljavajte punjač koji ste dobili sa štapnim usisivačem. Ako štapni usisivač puniti preko produžnog kabela, upotrebljavajte samo produžne kabele od 13 A s oznakom odobrenja CE jer se neodobreni produžni kabele mogu pregrijati. Potrebno je obratiti pozornost prilikom polaganja produžnog kabela jer može predstavljati opasnost od spoticanja.

Rotirajuća četka



UPOZORENJE: Rotirajuća četka u

motoriziranoj glavi za usisavanje konstantno se okreće kada se uključi. Nikada ne upotrebljavajte motoriziranu glavu za usisavanje na jednom mjestu dulje vrijeme jer rotirajuća četka može oštetiti površinu poda. Kada čistite tvrde podove uvijek isključite rotirajuću četku u motoriziranoj glavi za usisavanje. Kako biste izbjegli nastanak oštećenja, prvo ispitajte djelovanje na neupadljivom području podne površine.



OPREZ: Ako dođe do začepjenja

rotirajuće četke u motoriziranoj glavi za usisavanje, može se aktivirati senzor za zaštitu motora rotirajuće četke. Rotirajuća četka će se zaustaviti, a svjetlo na motoriziranoj glavi za usisavanje svijetlit će crveno. Za resetiranje isključite rotirajuću četku i štapni usisivač, uklonite motoriziranu glavu sa štapa / ručnog usisivača i očistite je od začepjenja. Pričekajte jednu minutu prije nego ponovno namjestite motoriziranu glavu, uključite štapni usisivač i pritisnite tipku ON/OFF za rotirajuću četku.

Skladištenje

- Čuvajte štapni usisivač na hladnom i suhom mjestu. Ako ste očistili filtre slijedeći upute u korisničkom priručniku, uvjerite se da su potpuno suhi prije nego ih spremite. Ovaj štapni usisivač ne stoji uspravno ako nema stalni oslonac. Između dviju uporaba položite ga na pod na prikladno mjesto na kojem neće predstavljati opasnost od spoticanja ni na kojem ga se neće gaziti.

Baterija i zbrinjavanje



OPREZ: Baterija upotrijebljena u ovom uređaju može predstavljati rizik od požara ili kemijskog zapaljenja ako se s njom pogrešno postupa. Ne rastavljajte je, ne zagrijavajte iznad ograničenja maksimalne temperature koju je naveo proizvođač (60 °C / 140 °F) niti palite. Upotreba druge baterije može predstavljati rizik od požara ili eksplozije.

■ Baterija se prije zbrinjavanja mora ukloniti iz uređaja, a iskorištena baterija mora se odložiti na siguran i odgovarajući način. Držite uređaj dalje od djece. Prije odlaganja zaštitite izložene terminalne priključke debelom izolir-trakom kako bi se spriječili kratki spojevi. Bateriju je potrebno odložiti na siguran način u lokalnom centru za recikliranje baterija.

■ Ne pokušavajte rastaviti bateriju, uklanjati komponente koje izlaze iz polova baterije niti bacati bateriju u vatru. Baterija i punjač ne sadrže dijelove koje korisnicima mogu biti upotrebljivi. Može doći do požara ili ozljeda.

■ Uređaj mora biti iskopčan iz struje prije uporabe ili kada se baterija uklanja prije njegova zbrinjavanja. U slučaju curenja iz baterije izbjegavajte svaki kontakt s kožom i obratite se na broj +800 2672 6677.

ČUVAJTE UPUTE ZA BUDUĆU UPORABU

Hvala vam!

Zadovoljstvo nam je što ste odlučili kupiti proizvod Dirt Devil. Nadamo se da uživate u uporabi svog uređaja i želimo vam se zahvaliti na njegovoj kupnji.

Dodatne informacije o proizvodu pronaći ćete u ovom priručniku o radu te na našoj web-lokaciji www.dirtdevil.de. Servisnoj službi tvrtke Dirt Devil možete se obratiti putem podataka za kontakt navedenih na stranici 2.

Tehnički podaci

Vrsta uređaja	Bežični usisivač
Model	DD778, DD778 (-0/.../-9)
Punjiva baterija	Li-ion 32 V
maks. vrijeme rada	cca 45 min.
maks. vrijeme punjenja	cca 4 sata
Mrežni adapter	Ulaz: 100 – 240 V ~, 1 A Izlaz: 34 V, 600 mA
Kapacitet spremnika za prašinu	0,3 l maks. napunjenost, 0,6 l maks. kapacitet
Snaga	234 W
Masa	3,1 kg

Zaštita okoliša i zbrinjavanje

Ako želite zbrinuti uređaj, odstranite punjivu bateriju pa zbrinite punjivu bateriju i uređaj odvojeno.



Ne odlažite uređaj, punjivu bateriju ili mrežni adapter zajedno s kućnim otpadom.



Odložite uređaj, punjivu bateriju i mrežni adapter odvojeno na odgovarajućim mjestima za njihovo prikupljanje.

Li-ion

Jamstvo

Ako ste uređaj kupili kao potrošač unutar Europske unije, kao standard za minimalno jamstvo primjenjuje se nacionalno zakonodavstvo usvojeno u skladu s Direktivom EU-a 2011/83/EU. U zemljama koje nisu članice EU-a primjenjuju se zahtjevi za minimalno jamstvo pojedine zemlje. To se ne primjenjuje na baterije ili punjive baterije koje su postale neispravne ili kojima je skraćen radni vijek zbog uobičajenog trošenja ili nepravilnog rukovanja.



Pridržavamo pravo izmjene tehničkih i projektnih specifikacija radi stalnog unapređenja proizvoda.
© Royal Appliance International GmbH

UPOZNAVANJE S UREĐAJEM

Sl. 1

- A. Ručka za nošenje
- B. Spremnik za prljavštinu
- C. Gumb za otpuštanje prljavštine
- D. Poklopac filtra i filter
- E. Ručica za otpuštanje spremnika za prljavštinu
- F. Svjetlosni indikator razine baterije
- G. Gumb za ubrzanje (boost)
- H. Gumb ON/OFF za uključenje/isključenje rotirajuće četke
- I. Gumb ON/OFF za uključenje/isključenje
- J. Ulaz za punjenje
- K. Štap
- L. Motorizirana glava
- M. Rotirajuća četka
- N. Punjač
- O. Zidni nosač, 2 vijka i tipli
- P. Nosač za uski nastavak

Sadržaji Sl. 2

- A. Uski nastavak
- B. Četka za prašinu

Raspakiranje i sastavljanje

1. Raspakirajte sadržaj i provjerite da ništa ne nedostaje (sl. 1 i 2).
2. Priključite štap i motoriziranu glavu na ručni usisivač. Čut ćete klik kada sjednu na svoje mjesto (sl. 3).
3. Utisnite nosač za uski nastavak na donji dio štapa i utaknite nastavak u njega (sl. 4).

Pričvršćivanje zidnog nosača

1. Bez ručnog usisivača na štapu i motorizirane glave, utisnite zidni nosač na gornji dio štapa s njegove stražnje strane sl. 5/1).
2. Odaberite mjesto na koje želite spremati štapni usisivač. Po mogućnosti neka to bude u blizini napajanja, premda ne izravno iznad ili ispod električne utičnice. Postavite motoriziranu glavu

i štap usisivača uza zid vodeći računa o tome da motorizirana glava leži ravno na podu.

3. Držeći čvrsto zidni nosač uza zid, pomoću olovke napravite malu oznaku za svaki vijak (sl. 5/2). Pomoću vijaka i tipli pričvrstite zidni nosač za zid.
4. Kabel za punjenje i četka za prašinu mogu se pričvrstiti za zidni nosač (sl. 6).
5. Sastavite cijeli štapni usisivač i snažno ga utisnite u zidni nosač kako bi ga čvrsto pričvršćen. Uvijek provjerite stoji li štapni usisivač čvrsto na mjestu.

Punjenje štapnog usisivača

NAPOMENA Prije prve upotrebe uređaj je potrebno napuniti, a prvo punjenje traje četiri sata. Nepotpuno punjenje baterije prije prve uporabe može dovesti do njezine loše izvedbe. Očekivani životni vijek baterije ovisi o uporabi štapnog usisivača.

1. Da biste punili štapni usisivač, čvrsto ga postavite u zidni nosač. Možete ga puniti i kao ručni usisivač tako da odvojite usisivač od štapa i pribora i postavite ga na ravnu i stabilnu površinu.
2. Utaknite kabel punjača u ulaz za punjenje (sl. 1/J) koji se nalazi na ručki za nošenje ručnog usisivača i ukopčajte punjač u električnu mrežu.
3. Svjetla koja označavaju razinu napunjenosti baterije palit će se redom kako se baterija bude punila dok sva četiri svjetla ne budu upaljena (sl. 7/1 i 7/2). Kada se baterija do kraja napuni, svjetla će se ugasiti. Ako usisivač puniti prvi put, početno vrijeme punjenja iznosi 4 sata.
4. Kada je štapni usisivač u upotrebi, svjetlosni indikator razine baterije svijetlit će pokazujući koliko je baterije preostalo. Kada preostane manje od 20 % napunjenosti baterije, donje svjetlo će svijetliti crveno pokazujući da je baterija prazna i da ju je potrebno napuniti (sl. 7/3).

Uporaba štapnog usisivača



UPOZORENJE: Rotirajuća četka u motoriziranoj glavi za usisavanje konstantno se okreće kada se uključi. Nikada ne upotrebljavajte motoriziranu glavu za usisavanje na jednom mjestu dulje vrijeme jer rotirajuća četka može oštetiti površinu poda. Kada čistite tvrde podove uvijek isključite rotirajuću četku u motoriziranoj glavi za usisavanje. Kako biste izbjegli nastanak oštećenja, prvo ispitajte djelovanje na neupadljivom području podne površine.



OPREZ: Ako dođe do začepjenja rotirajuće četke u motoriziranoj glavi za usisavanje, može se aktivirati senzor za zaštitu motora rotirajuće četke. Rotirajuća četka zaustavit će se, a svjetlo na motoriziranoj glavi za usisavanje svijetlit će crveno (sl. 18). Za resetiranje isključite rotirajuću četku i štapni usisivač, uklonite motoriziranu glavu sa štapa / ručnog usisivača i očistite je od začepjenja. Pričekajte jednu minutu prije nego ponovno namjestite motoriziranu glavu, uključite štapni usisivač i pritisnite tipku ON/OFF za rotirajuću četku.

1. Stavite stopalo na motoriziranu glavu (sl. 8 /1) i povucite ručku prema natrag kako biste je nagnuli (sl. 8 /2).
2. Da biste uključili štapni usisivač, pritisnite dugme ON/OFF koje se nalazi na ručki (sl. 9 /1). Gumb ON/OFF i svjetla koja pokazuju razinu napunjenosti baterije zasvijetlit će (sl. 7 /2).
3. Za snažniji usis na posebno prljavim područjima za koja je potrebna dodatna snaga čišćenja, može se aktivirati pojačani (boost) način rada (sl. 9 /3).
4. Da biste uključili rotirajuću četku, pritisnite gumb ON/OFF rotirajuće četke (sl. 9 /2). Svjetlo na motoriziranoj glavi i ON/OFF svjetlo rotirajuće četke zasvijetlit će se kada je rotirajuća četka uključena,

a rotirajuća četka će se konstantno vrtjeti. Da biste isključili rotirajuću četku, ponovno pritisnite gumb ON/OFF rotirajuće četke.

NAPOMENA: Rotirajuća četka motorizirane glave trebala bi biti uključena za tapete, a isključena za tvrde podne obloge. Stalna uporaba pojačnog načina rada i rotirajuće četke smanjit će trajanje baterije.

5. Sav dodatni pribor, uključujući motoriziranu glavu, može se priključiti izravno na ručni usisivač (sl. 10) ili na štap. Uski nastavak i četka za prašinu mogu se upotrebljavati za teško dostupna mjesta te na različitim visinama za čišćenje površina koje nisu podne.

ODRŽAVANJE ŠTAPNOG USISIVAČA



UPOZORENJE: Uvijek isključite štapni usisivač i iskopčajte ga iz punjača i električne mreže prije izvođenja bilo kojeg zahvata za održavanje ili rješavanje problema.

Uklanjanje i ponovno postavljanje spremnika za prljavštinu

1. Pritisnite ručicu na spremniku za prljavštinu prema dolje (sl. 11 /1) kako biste ga otpustili, a zatim nagnite i odstranite spremnik za prljavštinu sa štapnog usisivača (sl. 11 /2).

NAPOMENA: Ako je poklopac spremnika sa separatorom bio odstranjen radi čišćenja, prije ponovnog postavljanja provjerite je li separator ponovno namješten i je li poklopac blokiran na svom mjestu (sl. 13 /1).

2. Da biste ga ponovno postavili, uskladite priključak spremnika za prljavštinu s ručkom štapnog usisivača (sl. 12 /1) Pritisnite ručicu spremnika za prljavštinu (sl. 12 /2) i utaknite spremnik za prljavštinu na štapni usisivač.

Otpustite ručicu spremnika za prljavštinu kako biste blokirali spremnik u njegov položaj.

3. Ako se postavljenje pravilno izvede, sve tri priključne točke bit će usklađene i u istoj ravnini (sl. 13).

Pražnjenje spremnika za prljavštinu

1. Pritisnite ručicu na spremniku za prljavštinu prema dolje (sl. 11/1) kako biste ga otpustili, a zatim nagnite i odstranite spremnik za prljavštinu sa štapnog usisivača (sl. 11/2).

2. Držite spremnik za prljavštinu iznad kante za smeće i pritisnite dugme za otpuštanje prljavštine kako biste omogućili prljavštini i otpacima da ispadnu vani (sl. 14/1).

3. Da biste ga zatvorili, pritisnite vratašca za pražnjenje prljavštine sve dok ne sjednu na svoje mjesto (sl. 14/3).



OPREZ: Nemojte prepunjavati spremnik za prljavštinu kako se ne bi blokirao protok zraka kroz štapni usisivač. Za najbolje rezultate čišćenja, spremnik za prljavštinu ispraznite nakon svake uporabe. Filtre bi trebalo otresti iznad kante za smeće svakih 4 – 6 uporaba kako bi se uklonila prljavština i otpaci te oprati svaka tri mjeseca. Filtre bi trebalo zamijeniti svakih 6 – 9 mjeseci ovisno o stupnju uporabe.

Čišćenje filtra i separatora

1. Ispraznite spremnik za prljavštinu (sl. 14).

2. Podignite jezičak na poklpcu spremnika za prljavštinu (sl. 15/1 i 2). Podignite poklopac filtra i separatora sa spremnika za prljavštinu (sl. 15/3).

3. Otsesite separator iznad kante za smeće kako bi se odstranila prljavština i otpaci pa suhom tkaninom prebrišite metalno kućište (sl. 16/1).

4. Povucite jezičak na filtru kako biste ga odvojili od separatora (sl. 16/2). Otsesite filtar o kantu za smeće kako bi se odstranili nečistoća i otpaci (sl. 16/3).

5. Operite filtar pod tekućom vodom (maks. 40 °C) (sl. 17). Prije vraćanja na mjesto ostavite ga najmanje 24 sata ili dok se potpuno ne osuši.

Čišćenje i ponovno namještanje rotirajuće četke motorizirane glave

1. Pomoću kovanice pritisnite i okrenite bravicu rotirajuće četke u smjeru suprotnom od kazaljke na satu kako biste je otpustili (sl. 19/1).

2. Izvucite rotirajuću četku iz njezina kućišta (sl. 20/1).

3. Da biste uklonili niti ili dlake, uvucite oštricu nožica u brazdu rotirajuće četke i režite uzduž brazde. Izvucite svu prljavštinu/otpatke iz rubnih kapica i kućišta motorizirane glave (sl. 21).

4. Ponovno namjestite rotirajuću četku (sl. 20/2) pa zaokrenite bravicu rotirajuće četke u smjeru kazaljke na satu (sl. 19/2).

Uklanjanje i ponovno namještanje remena motorizirane glave

1. Pomoću križnog odvijača odvijte tri vijka i uklonite poklopac (sl. 22/1)

2. Ako je remen pukao, uklonite stari remen i očistite zupčanike od svih otpadaka. Da biste ponovno namjestili remen, prvo ga zakačite oko malog zupčanika. Klizite remenom preko gornjeg dijela velikog zupčanika i vrtite remen i zupčanik u smjeru suprotnom od smjera kazaljke na satu. Tijekom rotacije remen će uklizati u zupčanik (sl. 22/2).

3. Ponovno namjestite poklopac remena i pritegnite vijke kako biste da pričvrstili.

Provjera začepljenosti

1. Pritisnite gumb za otpuštanje ručnog usisivača i odstranite štap. Provjerite i očistite svu prljavštinu i otpatke iz priključne točke ručnog usisivača i ulaza u spremnik za prljavštinu (sl. 23/1).
2. Provjerite da motorizirana glava nije začepljena i upotrijebite tupi predmet da biste je odčepili (sl. 23/2).
3. Da biste provjerili je li štap začepljen, ubacite malu papirantu kuglicu u štap. Ako je štap čist, kuglica će izaći vani. Upotrijebite štap od metle ili sličan tupi predmet kako biste uklonili začepljenje (sl. 23/3).

PRIBOR I REZERVNI DIJELOVI

Posjetite nas na Internetu na:

www.dirtdevil.de

Na našoj web stranici naći ćete veliki izbor rezervnih dijelova i pribora kao i praktične savjete i trikove za svoj Dirt Devil proizvod.

RJEŠAVANJE PROBLEMA

Nedostaje pribor

Provjerite sadržaj (sl. 2).

Zašto štapni usisivač nema snage?

- Možda je štapni usisivač potrebno napuniti. Pogledajte odjeljak **Punjenje štapnog usisivača**.
- Možda je termostatski motor blokiran. Ispraznite spremnik za prljavštinu i provjerite da u njemu nema začepjenja. Očistite filtre i ostavite štapni usisivač da se hladi nekih sat vremena. Ako ste oprali filtre pričekajte 24 sata da se potpuno osuše prije nego li ih postavite natrag na štapni usisivač.

Zašto štapni usisivač ne usisava?

- Možda spremnik za prašinu nije pravilno namješten. Pogledajte odjeljak **Uklanjanje i ponovno postavljanje spremnika za prljavštinu**.
- Možda je spremnik za prljavštinu začepljen. Provjerite da ulazi u spremnik za prljavštinu i ručni usisivač nisu blokirani. Pogledajte odjeljak **Pražnjenje spremnika za prljavštinu**.
- Filtiri su možda začepljeni. Pogledajte odjeljak **Čišćenje filtra i separatora**.
- Možda je došlo do začepjenja. Pogledajte odjeljak **Provjera začepljenosti**.
- Rotirajuća četka na motoriziranoj glavi nije aktivirana. Pogledajte odjeljak **Uporaba štapnog usisivača**.
- Možda je motorizirana glava blokirana. Pogledajte odjeljak **Čišćenje i ponovno namještanje rotirajuće četke motorizirane glave**.
- Štapni usisivač, motorizirana glava i štap možda nisu pravilno namješteni. Pogledajte odjeljak **Raspakiranje i sastavljanje**.

Zašto je na jedinici upaljeno crveno svjetlo?

- Baterija se ispraznila (< 20 %). Pogledajte odjeljak **Punjenje štapnog usisivača**.

Zašto je na motoriziranoj glavi upaljeno crveno svjetlo?

- Rotirajuća četka motorizirane glave začepljena je. Pogledajte odjeljak **Čišćenje i ponovno namještanje rotirajuće četke motorizirane glave**.

Zašto se motorizirana glava ne okreće?

- Rotirajuća četka na motoriziranoj glavi nije aktivirana. Pogledajte odjeljak **Uporaba štapnog usisivača**.
- Možda su pribor / rotirajuća četka začepljeni. Pogledajte odjeljak **Čišćenje i ponovno namještanje rotirajuće četke motorizirane glave**.
- Štapni usisivač, motorizirana glava i štap možda nisu pravilno namješteni. Pogledajte odjeljak **Raspakiranje i sastavljanje**.
- Možda je pukao remen na priboru. Pogledajte odjeljak **Uklanjanje i ponovno namještanje remena motorizirane glave**.

Prije nego li se obratite našoj korisničkoj službi Dirt Devil ili joj pošaljete svoj uređaj, puno dodatnih informacije možete pronaći na stranici za servisne usluge na našoj web-lokaciji koje će vam pomoći da riješite probleme.

www.dirtdevil.de/service

SAUGOS INFORMACIJA

Apie šį naudotojo vadovą

Iki galo perskaitykite šį naudotojo vadovą prieš naudodami prietaisą. Saugokite šį naudotojo vadovą, nes jo gali prireikti ateityje. Perduodami savo prietaisą trečiosioms šalims, kartu pateikite šį naudotojo vadovą. Nesilaikant šio naudotojo vadovo, galima patirti sunkių sužalojimų arba sugadinti prietaisą. Mes neprisiimame jokios atsakomybės už žalą, kuri gali būti padaryta nesilaikant šio naudotojo vadovo. Šiame skyriuje nenurodyta svarbi informacija pateikiama toliau.



ĮSPĖJIMAS. Įspėjama apie pavojus sveikatai ir nustatomas galimas susižeidimo pavojus.



PERSPĖJIMAS. Nustatomi galimi pavojai prietaisui ar kitiems objektams.

PASTABA. Pagrindiniai patarimai ir informacija.

Bendras naudojimas

Šis dulkių siurblys-šluotuvas yra numatytas naudoti tik buityje ir NĖRA skirtas komerciniam ar pramoniniam naudojimui.

- Dulkių siurblių-šluotuvą naudokite tik patalpose sausiesiems paviršiams valyti, o vieta, kurią valote, turi būti gerai apšviesta.
- Nesiurbkite kietų ar aštrių daiktų, pvz., stiklo duženy, nagų, varžtų, monetų ir t. t.
- Nesiurbkite karštų anglių, nuorūkų, degtukų arba dalykų, kurie dega ar rūksta.
- Nenaudokite jo vietose, kurios yra šlapios ar kuriose gali būti kenksmingų skysčių (chloro, balinimo medžiagų ir išsiliejusio amoniako valiklio).
- Nemėginkite pašalinti kliudančių elementų su aštriais daiktais, nes jūsų dulkių siurblys-šluotuvas gali sugesti.

■ Su šiuo dulkių siurbliu-šluotuvu turi būti naudojamas tik „Dirt Devil“ rekomenduojamas kroviklis, įrankiai ir priedai. Visada patikrinkite, ar prieš naudojant grindų siurbimo antgalį ir priedus jie nėra sugadinti, nešvarūs ir nekelia pavojaus.

■ Prieš atlikdami bet kokią dulkių siurblio-šluotuvo techninę priežiūrą, visada išjunkite arba atjunkite jį nuo kroviklio. Žr. atitinkamą naudotojo vadovo skirsnį, norėdami peržiūrėti būtinas atsargumo priemones.

■ Prieš naudodami dulkių siurblių-šluotuvą, visada įsitikinkite, kad skirtuvas ir filtrai yra tinkamai sumontuoti.

■ Visos angos turi būti švarios ir jose neturi būti šiukšlių, nes tai gali daryti poveikį oro srovei ir (arba) siurbimui.

■ Ypač būkite atsargūs naudodami siurblių-šluotuvą ant laiptų.



ĮSPĖJIMAS. Visada išjunkite dulkių siurblių-šluotuvą ir atjunkite jį nuo kroviklio ir elektros maitinimo tinklo prieš atlikdami bet kokią techninę priežiūrą ar prieš šalindami gedimus.



PERSPĖJIMAS. Neperpildykite nešvarumų rinktuvo, kad nebūtų užblokuotas oro tekėjimas per dulkių siurblių-šluotuvą. Norėdami pasiekti geriausių valymo rezultatų, kaskart panaudoję prietaisą ištuštinkite nešvarumų rinktuvą. Filtrai turi būti iškratomi virš šiukšlių dėžės panaudojus juos 4–6 kartus, kad būtų pašalinti nešvarumai ir šiukšlės, o plaunami kas 3 mėnesius. Filtrai turi būti keičiami kas 6–9 mėnesius, priklausomai nuo jų naudojimo dažnumo.

Sauga

■ Šį dulkių siurblių-šluotuvą gali naudoti vaikai nuo 8 metų ir ribotų fizinių, jutimo ar protinių gebėjimų asmenys arba asmenys, neturintys patirties ir

žinių, kaip reikia naudotis šiuo gaminiu, jei jie yra prižiūrėti ar jiems buvo suteikti nurodymai, kaip reikia saugiai naudotis šiuo dulkių siurbliu-šluotuvu, ir jie supranta susijusius pavojus. Stebėkite, kad vaikai nežaistų su šiuo dulkių siurbliu-šluotuvu. Vaikams draudžiama valyti ir atlikti naudotojo techninę priežiūrą, jeigu jie nėra prižiūrėti.

- Naudodami dulkių siurbli-šluotuvą, laikykite pirštus, plaukus ir laisvus drabužius toliau nuo judamųjų dalių ir angų.
- Nenaudokite dulkių siurblio-šluotuvo, jeigu jis buvo numestas, sugadintas, buvo įkritęs į vandenį ar buvo paliktas lauke.
- Nelieskite kroviklio kištuko ar nenaudokite dulkių siurblio-šluotuvo šlapiomis rankomis.
- Nenaudokite dulkių siurblio-šluotuvo, jeigu kroviklio laidas ar kištukas yra pažeistas.
- Neatjunkite kroviklio traukdami kroviklio laidą.

Elektros energijos tiekimas

- Nekraukite dulkių siurblio-šluotuvo lauke ir nepalikite kroviklio įjungto į elektros maitinimo tinką, jei jo nenaudojate.
- Nenaudokite dulkių siurblio-šluotuvo su netinkamu krovikliu, nes naudotojas gali susižaloti. Informacija apie tinkamą kroviklį yra pateikta prietaiso etiketėje.
- Visada naudokite kartu su dulkių siurbliu-šluotuvu pateiktą kroviklį. Jei kraunate dulkių siurbli-šluotuvą naudodami ilginuvą, naudokite tik CE patvirtintus 13 A ilginuvus. Nepatvirtinti ilginuvai gali perkaisti. Turėtų būti pasirūpinta, kad ilginuvas būtų tinkamai įrengtas, nes už jo galima užkliūti.

Šepetys



ĮSPĖJIMAS. Elektra maitinamo antgalio šepetys nuolat sukasi, kai jis yra įjungtas.

Niekada nenaudokite elektra maitinamo antgalio vienoje vietoje ilgą laiką, nes šepetys gali sugadinti grindų paviršių. Valydami grindis kietu paviršiumi, visada išjunkite elektra maitinimo antgalio šepetį. Norėdami išvengti bet kokios žalos, pirmiausia patikrinkite sunkiai pastebimas grindų vietas.



PERSPĖJIMAS. Užsikimšus elektra maitinimo antgalio šepėčiui, gali būti aktyvintas šepėčio variklio apsaugos jutiklis. Šepetys sustos ir ant elektra maitinamo antgalio esanti lemputė pradės šviesti raudonai. Norėdami iš naujo išjungti šepetį ir dulkių siurbli-šluotuvą, nuimkite elektra maitinamą antgalį nuo koto ir (arba) rankenos ir išvalykite bet kokį kliudantį elementą. Palaukite 1 minutę prieš iš naujo pritvirtindami elektra maitinamo antgalio įrankį, įjunkite dulkių siurbli-šluotuvą ir paspauskite šepėčio įjungimo / išjungimo mygtuką.

Laikymas

- Dulkių siurbli-šluotuvą laikykite vėsioje sausoje vietoje. Jeigu filtrai buvo išvalyti taip, kaip nurodyta naudotojo vadovo instrukcijose, užtikrinkite, kad jie būtų visiškai sausi prieš juos padedant į laikymo vietą. Šis dulkių siurblys-šluotuvas nestovi vertikalioje padėtyje, jeigu jis nėra nuolat prilaikomas. Kol nenaudojate dulkių siurblio-šluotuvo, paguldykite jį horizontaliai ant grindų į tinkamą padėtį taip, kad jis nekeltų pavojaus norint praeiti ar kad kas nors ant jo neužmintų.

Baterija ir išmetimas



PERSPĖJIMAS. Netinkamai elgiantis šiame prietaise naudojama baterija gali sukelti gaisro pavojų arba cheminį užsidegimą. Negalima išardyti ar kaitinti virš gamintojo nustatytos aukščiausios temperatūros ribos (60 °C/140 °F) arba deginti. Naudojant kitą bateriją, gali kilti gaisro arba sprogimo pavojus.

- Baterija turi būti išimta iš prietaiso prieš ją išmetant. Panaudota baterija turi būti saugiai ir skubiai išmetama. Saugoti nuo vaikų. Prieš išmesdami neuždengtus elektros gnybtus, apvyniokite juos stora izoliacine juosta, kad būtų išvengta trumpojo jungimo. Baterija turi būti saugiai sunaikinta jūsų vietiniame baterijų perdirbimo centre.
- Nemėginkite išardyti baterijos ir pašalinti bet kokį komponentą ištraukdami jį iš baterijos gnybtų ir nemeskite jo į ugnį. Baterijoje ir kroviklyje nėra dalių, kurias naudotojas galėtų tinkamai panaudoti. Gali kilti gaisras arba galima susižeisti.
- Prieš naudojant prietaisą arba išimant bateriją prieš ją išmetant, jis turi būti atjungtas nuo elektros maitinimo šaltinio. Ištekėjus skysčiui iš baterijos, venkite bet kokio jo sąlyčio su oda ir skambinkite telefonu + 800 2672 6677.

LAIKYKITĖS TOLESNIO NAUDOJIMO NURODYMŲ

Dėkojame!

Mes džiaugiamės, kad nusprendėte įsigyti „Dirt Devil“ gaminį. Mes tikimės, kad jums patiks naudotis prietaisu, ir norėtume jums padėkoti už pirkinį.

Šiame eksploataavimo vadove ir mūsų svetainėje adresu www.dirtdevil.de rasite papildomos informacijos apie savo gaminį. Norėdami susisiekti su mūsų „Dirt Devil“ aptarnavimo skyriumi, žr. 2 puslapyje pateiktą kontaktinę informaciją.

Techniniai duomenys

Prietaiso tipas	Belaidis dulkių siurblys
Modelis	DD778, DD778 (-0/.../-9)
Įkraunama baterija	Ličio jonų, 32 V
ilgiausias veikimo laikas	maždaug 45 minutės
ilgiausias įkrovimo laikas	maždaug 4 valandos
Maitinimo adapteris	Įėjimo įtampa: ~ 100–240 V, 1 A Išėjimo įtampa: 34 V, 600 mA
Dulkių rinktuvo talpa	ne didesnis kaip 0,3 l užpildymas, ne didesnė kaip 0,6 l talpa
Galia	234 W
Svoris	3,1 kg

Gamtos apsauga ir šalinimas

Norėdami išmesti prietaisą, išimkite iš jo įkraunamą bateriją ir išmeskite įkraunamą bateriją ir prietaisą atskirai.



Nemeskite prietaiso, įkraunamos baterijos ar maitinimo adapterio kartu su buitinėmis atliekomis.



Išmeskite prietaisą, įkraunamą bateriją ir maitinimo adapterį atskirai atitinkamuose surinkimo punktuose.

Ličio jonų

Garantija

Jeigu įsigijote prietaisą kaip vartotojas Europos Sąjungoje, yra taikomi atitinkami nacionalinės teisės aktai, įgyvendinti pagal ES Direktyvą 2011/83/ES, kaip minimalus garantijos standartas. Ne ES šalyse yra taikomi minimalūs atitinkamos šalies garantijos reikalavimai. Tai netaikoma baterijoms ar įkraunamoms baterijoms, kurios sugedo ar kurių naudojimo laikas sutrumpėjo dėl įprasto dėvėjimosi ar netinkamo naudojimo.



Pasiekame teisę daryti techninių ir dizaino specifikacijų pakeitimus siekdami nuolat tobulinti gaminį.

© „Royal Appliance International GmbH“

SUŽINOKITE APIE SAVO PRIETAISĄ

pav. 1

- A. Laikiklis
- B. Nešvarumų rinktuvas
- C. Nešvarumų išpylimo mygtukas
- D. Filtro dangtelis ir filtras
- E. Nešvarumų rinktuvo atidarymo fiksatorius
- F. Baterijos įkrovimo lygio signalinė lemputė
- G. Stiprinimo mygtukas
- H. Šepečio įjungimo / išjungimo mygtukas
- I. Įjungimo / išjungimo mygtukas
- J. Įkrovimo prievadas
- K. Kotas
- L. Elektra maitinamas antgalis
- M. Šepetys
- N. Kroviklis
- O. Sieninis montavimo įtaisas, 2 varžtai ir sieniniai kištukai
- P. Plyšių siurbimo įrankių laikymo krepšys

Turinio pav. 2

- A. Plyšių siurbimo įrankis
- B. Dulkių šepetys

Išpakavimas ir surinkimas

1. Išpakuokite turinį ir patikrinkite, ar nieko netrūksta. (1 ir 2 pav.).
2. Sujunkite kotą ir elektra maitinamą antgalį su rankena. Jie spragtelės, kai užsifiksuos (3 pav.).
3. Paspauskite plyšių siurbimo įrankių laikymo krepšį į koto apačią ir įdėkite įrankį į jam skirtą vietą (4 pav.).

Sieninio montavimo įtaiso pritvirtinimas

1. Be rankenos, pritvirtintos prie koto ir elektra maitinamo antgalio, pastumkite sieninį laikiklį į koto viršų ir atgal. (5/1 pav.).
2. Pasirinkite vietą, kurioje dulkių siurblys-šluotuvus bus laikomas. Pageidautina, kad jis būtų šalia maitinimo šaltinio, tačiau ne tiesiai virš ar žemiau elektros lizdo. Pastatykite dulkių siurblio-šluotuvo elektra maitinamą antgalį ir kotą prie sienos,

įsitikinę, kad elektra maitinamas antgalis guli horizontaliai ant grindų.

3. Saugiai laikydami sieninį laikiklį prie sienos, naudokite pieštuką pasižymėti mažą žymę kiekvienam varžtui įsukti. (5/2 pav.) Naudokite varžtus ir sieninius kištukus, norėdami pritvirtinti sieninį laikiklį prie sienos.
4. Įkrovimo laidas ir dulkių šepetys gali būti pritvirtinti prie sieninio laikiklio (6 pav.).
5. Visiškai surinkite dulkių siurblys-šluotuvą ir tvirtai įspauskite jį į sieninį laikiklį, norėdami jį pritvirtinti. Visada įsitikinkite, kad dulkių siurblys-šluotuvus yra saugiai užfiksuotas.

Dulkių siurblio-šluotuvo įkrovimas

PASTABA. Pradinis įkrovimas trunka 4 valandas ir baterijos įkrovimas bus reikalingas prieš naudojant ją pirmą kartą. Neįkrovus visiškai baterijos prieš pradėdant ją naudoti pirmą kartą, ji gali prastai veikti. Baterijos veikimo trukmė gali skirtis, priklausomai nuo dulkių siurblio-šluotuvo naudojimo.

1. Norėdami įkrauti dulkių siurblys-šluotuvą, saugiai pritvirtinkite jį prie sieninio laikiklio. Taip pat galite įkrauti kaip rankeną. Atskirkite dulkių siurblys-šluotuvą nuo koto ir įrankių ir padėkite ant plokščio stabilaus paviršiaus.
2. Įkiškite kroviklio laidą į įkrovimo prievadą (1/J pav.), esantį ant rankenos laikiklio, ir įjunkite kroviklio kištuką į elektros maitinimo tinklą.
3. Baterijos indikatorius lygio šviesos šviesą įjungus, kai baterija krausis, kol pradės šviesti visos keturios šviesos (7/1 ir 7/2 pav.). Baterijai visiškai įsikrovus, šviesos užges. Kraunant pirmą kartą, pradinio įkrovimo laikas yra 4 valandos.
4. Naudojant dulkių siurblys-šluotuvą, baterijos įkrovimo lygio signalinės lemputės šviečia nurodamos, koks yra įkrovimo lygis. Jeigu

įkrovimo lygis yra mažiau nei 20 %, apatinė lemputė pradės šviesti raudonai, nurodydama, kad baterija išsikrauna ir ją reikia įkrauti (7/3 pav.).

Dulkių siurblio-šluotuvo naudojimas



ĮSPĖJIMAS. Elektra maitinamo antgalio šepetys nuolat sukasi, kai jis yra įjungtas. Niekada nenaudokite elektra maitinamo antgalio vienoje vietoje ilgą laiką, nes šepetys gali sugadinti grindų paviršių. Valydami grindis kietu paviršiumi, visada išjunkite elektra maitinimo antgalio šepetį. Norėdami išvengti bet kokios žalos, pirmiausia patikrinkite sunkiai pastebimas grindų vietas.



PERSPĖJIMAS. Užsikimšus elektra maitinimo antgalio šepėčiui, gali būti aktyvintas šepėčio variklio apsaugos jutiklis. Šepetys sustos ir ant elektra maitinamo antgalio esanti lemputė pradės šviesti raudonai (18 pav.). Norėdami iš naujo išjungti šepetį ir dulkių siurblių-šluotuvą, nuimkite elektra maitinamą antgalį nuo koto ir (arba) rankenos ir išvalykite bet kokią kliudantį elementą. Palaukite 1 minutę prieš iš naujo pritvirtindami elektra maitinamo antgalio įrankį, įjunkite dulkių siurblių-šluotuvą ir paspauskite šepėčio įjungimo / išjungimo mygtuką.

1. Padėkite savo pėdą ant elektra maitinamo antgalio (8/1 pav.) ir traukite rankeną atgal ją nuleisdami (8/2 pav.).

2. Norėdami įjungti dulkių siurblių-šluotuvą, paspauskite ant rankenos esantį įjungimo / išjungimo mygtuką. (9/1 pav.) Švies ant rankenos esantis įjungimo / išjungimo mygtukas ir baterijos įkrovimo lygio signalinės lemputės (7/2 pav.).

3. Norint padidinti ypač nešvarių vietų, kurioms reikalingas papildomas valymas, siurbimą, galima aktyvinti stiprinimo režimą (9/3 pav.).

4. Norėdami įjungti šepetį, paspauskite šepėčio įjungimo / išjungimo mygtuką (9/2 pav.). Ant elektra maitinamo antgalio esanti lemputė ir šepėčio įjungimo / išjungimo lemputė švies, kai šepetys bus įjungtas, o šepetys nuolat suksis. Paspauskite šepėčio įjungimo / išjungimo mygtuką vėl norėdami išjungti šepetį.

PASTABA. Elektra maitinamo antgalio šepetys turi būti įjungtas valant kilimus ir išjungtas valant grindis kietu paviršiumi. Nuolat naudojant stiprinimo režimą ir šepetį, sutrumpės baterijos veikimo laikas.

5. Visi priedai, įskaitant elektra maitinamą antgalį, gali būti tiesiogiai tvirtinami prie rankenos (10 pav.) arba koto. Plyšių siurbimo įrankis ir dulkių šepetys gali būti naudojami sunkiai pasiekiamoms vietoms ir skirtingo aukščio grindims valyti.

DULKIŲ SIURBLIO-ŠLUOTUVO TECHNINĖ PRIEŽIŪRA



ĮSPĖJIMAS. Visada išjunkite dulkių siurblių-šluotuvą ir atjunkite jį nuo kroviklio ir elektros maitinimo tinklo prieš atlikdami bet kokią techninę priežiūrą ar prieš šalindami gedimus.

Nešvarumų rinktuvo nuėmimas ir pakartotinis montavimas

1. Nuspauskite ant nešvarumų rinktuvo esantį fiksatorių (11/1 pav.) norėdami jį atlaisvinti, pakreipkite ir pakelkite norėdami nuimti nešvarumų rinktuvą nuo dulkių siurblio-šluotuvo (11/2 pav.).

PASTABA. Jeigu rinktuvo su skirtuvu dangtelis buvo nuimtas norint jį išvalyti, prieš pakartotinai montuodami, įsitikinkite, kad dalytuvas yra iš naujo sumontuotas, o dangtelis yra užfiksuotas (13/1 pav.).

- Norėdami pakartotinai sumontuoti, nešvarumų rinktuvo jungtį pritvirtinkite prie dulkių siurblio-šluotuvo rankenos. (12/1 pav.) Paspauskite nešvarumų rinktuvo atidarymo fiksatorių (12/2 pav.) ir stumkite nešvarumų rinktuvą ant dulkių siurblio-šluotuvo. Atlaisvinkite nešvarumų rinktuvo fiksatorių, kad užfiksuotumėte nešvarumų rinktuvą.
- Tinkamai sumontavus visus 3 sujungimo atgalius, atgaliai susilygins ir sutaps (13 pav.).

Nešvarumų rinktuvo ištuštinimas

- Nuspauskite ant nešvarumų rinktuvo esantį fiksatorių (11/1 pav.) norėdami jį atlaisvinti, pakreipkite ir pakelkite norėdami nuimti nešvarumų rinktuvą nuo dulkių siurblio-šluotuvo (11/2 pav.).
- Laikykite nešvarumų rinktuvą virš šiukšlių dėžės ir paspauskite nešvarumų išpylimo mygtuką, kad nešvarumai ir šiukšlės galėtų iškristi. (14/1 ir 2 pav.).
- Norėdami uždaryti nešvarumų išpylimo dureles, spauskite jas, kol jos užsifiksuos. (14/3 pav.).



PERSPĖJIMAS. Neperpildykite nešvarumų rinktuvo, kad nebūtų užblokuotas oro tekėjimas per dulkių siurblio-šluotuvą. Norėdami pasiekti geriausių valymo rezultatų, kaskart panaudoję prietaisą ištuštinkite nešvarumų rinktuvą. Filtrai turi būti iškratomi virš šiukšlių dėžės panaudojus juos 4–6 kartus, kad būtų pašalinti nešvarumai ir šiukšlės, o plaunami kas 3 mėnesius. Filtrai turi būti keičiami kas 6–9 mėnesius, priklausomai nuo jų naudojimo dažnumo.

Filtro ir skirtuvo valymas

- Ištuštinkite nešvarumų rinktuvą (14 pav.).
- Pakelkite ant nešvarumų rinktuvo dangtelio esančią ašelę (15/1 ir 2 pav.). Pakelkite filtro dangtelį ir skirtuvą nuo nešvarumų rinktuvo (15/3 pav.).

- Pakratykite skirtuvą virš šiukšlių dėžės norėdami pašalinti nešvarumus ir šiukšles ir nuvalykite metalinį gaubtą šlapiu šluoste (16/1 pav.).
- Patraukite ant filtro esančią ašelę norėdami nuimti jį nuo skirtuvo (16/2 pav.). Pakratykite filtrą prie šiukšlių dėžės norėdami pašalinti visus nešvarumus ir šiukšles (16/3 pav.).
- Plaukite filtrą po tekančiu vandeniu (ne didesnėje kaip 40 °C temperatūroje) (17 pav.). Palikite jį bent 24 valandoms arba kol jis visiškai išdžius prieš jį pakeičiant.

Elektra maitinamo antgalio šepetio valymas ir pakeitimas

- Naudodamiesi moneta pastumkite ir pasukite šepetio užraktą prieš laikrodžio rodyklę, norėdami nuimti šepetį (19/1 pav.).
- Ištraukite šepetį iš šepetio korpuso (20/1 pav.).
- Norėdami pašalinti bet kokius siūlus ar plaukus, nulenkite žirklių ašmenis į šepetėlio griovelį ir kirpkite palei griovelį. Išvalykite visus nešvarumus ir (arba) šiukšles nuo galinių dangtelių ir iš elektra maitinamo antgalio korpuso vidaus (21 pav.).
- Iš naujo pritvirtinkite šepetį (20/2 pav.) ir pasukite šepetį pagal laikrodžio rodyklę norėdami jį užfiksuoti (19/2 pav.).

Elektra maitinamo antgalio diržo nuėmimas ir pakeitimas

- Kryžminiu atsuktuvu atsukite 3 varžtus ir nuimkite dangtelį (22/1 pav.).
- Jeigu diržas nutrūko, nuimkite seną diržą ir išvalykite visas šiukšles iš krumplių. Norėdami pakeisti diržą, pirmiausia apsukite diržą per mažąjį krumpį. Užlenkite diržą per didžiojo krumplio viršų ir sukite diržą bei krumpį prieš laikrodžio rodyklę. Sukant diržas užsilenks ant krumplio (22/2 pav.).
- Iš naujo įstatykite diržo dangtelį ir priveržkite varžtus, norėdami jį pritvirtinti.

Kliudančių elementų patikrinimas

1. Paspauskite rankenos atlaisvinimo mygtuką ir nuimkite kotą. Patikrinkite ir išvalykite visus nešvarumus ir šiukšles iš rankenos jungties vietos ir šiukšlių dėžės įleidimo angos. (23/1 pav.).
2. Patikrinkite elektra maitinamą antgalį, ar nėra jame kokių nors kliudančių elementų, ir naudokite buką daiktą, norėdami pašalinti kliudantį elementą. (23/2 pav.).
3. Norėdami patikrinti, ar kote nėra kliudančio elemento, įmeskite mažą popieriaus rutuliuką į kotą. Popierius nusileis, jei kotas bus švarus. Norėdami pašalinti bet kokį kliudantį elementą, naudokite šluotos kotą ar panašų buką daiktą (23/3 pav.).

PRIEDAI IR ATSARGINĖS DALYS

Apsilankykite mūsų interneto svetainėje:

www.dirtdevil.de

Mūsų interneto svetainėje rasite didelį atsarginių dalių ir priedų asortimentą, taip pat praktinių patarimų apie „Dirt Devil“ produktus.

GEDIMŲ ŠALINIMAS

Trūksta priedų

Patikrinkite turinį (2 pav).

Kodėl dulkių siurblys-šluotuvas neveikia?

■ Gali tekti iš naujo įkrauti dulkių siurblių-šluotuvą. Eikite į **Dulkių siurblio-šluotuvo įkrovimas**.

■ Variklio termostatas gali būti užstrigęs. Ištuštinkite nešvarumų rinktuvą ir patikrinkite, ar jame nėra kliudančių elementų. Išvalykite filtrus ir leiskite dulkių siurbliui-šluotuvui vesti maždaug 1 valandą. Nuplovę filtrus palaukite 24 valandas, kol jie visiškai išdžius, prieš padėdami dulkių siurblių-šluotuvą atgal į vietą.

Kodėl dulkių siurblys-šluotuvas nesuirbia?

■ Nešvarumų rinktuvas gali būti netinkamai sumontuotas. Eikite į **Nešvarumų rinktuvo nuėmimas ir pakartotinis montavimas**.

■ Nešvarumų rinktuvas gali būti užsikimšęs. Patikrinkite, ar nešvarumų rinktuve ir rankenos angoje nėra įstrigusių kliudančių elementų. Eikite į **Nešvarumų rinktuvo ištuštinimas**.

■ Filtrai gali būti užsikimšę. Eikite į **Filtro ir skirtuvo valymas**.

■ Gali būti įstrigęs kliudantis elementas. Eikite į **Kliudančių elementų patikrinimas**.

■ Elektra maitinamo antgalio šepetys nebuvo aktyvintas. Eikite į **Dulkių siurblio-šluotuvo naudojimas**.

■ Elektra maitinamas antgalis gali būti užsikimšęs. Eikite į **Elektra maitinamo antgalio šepetio valymas ir pakeitimas**.

■ Dulkių siurblys-šluotuvą, elektra maitinamas antgalis ir kotas gali būti netinkamai sumontuoti. Eikite į **Išpakavimas ir surinkimas**.

Kodėl ant įrenginio dega raudona lemputė?

■ Baterija išsikrauna (< 20 %). Eikite į **Dulkių siurblio-šluotuvo įkrovimas**.

Kodėl ant elektra maitinamo antgalio dega raudona lemputė?

■ Elektra maitinamo antgalio šepetys užsikimšo. Eikite į **Elektra maitinamo antgalio šepetio valymas ir pakeitimas**.

Kodėl elektra maitinamas antgalis neįsijungia?

■ Elektra maitinamo antgalio šepetys nebuvo aktyvintas. Eikite į **Dulkių siurblio-šluotuvo naudojimas**.

■ Įrankis ir (arba) šepetys gali būti užsikimšę. Eikite į **Elektra maitinamo antgalio šepetio valymas ir pakeitimas**.

■ Dulkių siurblys-šluotuvą, elektra maitinamas antgalis ir kotas gali būti netinkamai sumontuoti. Eikite į **Išpakavimas ir surinkimas**.

■ Įrankio diržas gali būti nutrūkęs. Eikite į **Elektra maitinamo antgalio diržo nuėmimas ir pakeitimas**.

Prieš susisiekdami su mūsų „Dirt Devil“ klientų aptarnavimo skyriumi ar prieš siųsdami prietaisą mūsų „Dirt Devil“ klientų aptarnavimo skyriui, rasite daug papildomos informacijos, pateiktos mūsų svetainės aptarnavimo srityje, kuri padės jums išspręsti iškilusias problemas.

www.dirtdevil.de/service

DROŠĪBAS INFORMĀCIJA

Par šo lietošanas rokasgrāmatu

Pirms ierīces lietošanas izlasiet visu lietošanas rokasgrāmatu. Saglabājiet šo rokasgrāmatu turpmākai uzziņai. Nododot šo ierīci trešām personām, tai jāpievieno arī šī lietošanas rokasgrāmata. Ja netiek ievēroti šīs lietošanas rokasgrāmatas norādījumi, var gūt smagus ievainojumus vai sabojāt ierīci. Mēs neuzņemamies atbildību par bojājumiem, kas radušies, ja nav ievēroti šīs lietošanas rokasgrāmatas norādījumi. Svarīga informācija, kas nav iekļauta šajā sadaļā, tiek attēlot šādi:



BRĪDINĀJUMS! Brīdina par kaitējumu veselībai un iespējamu ievainojumu risku.



UZMANĪBU! Liecina par iespējamu ierīces vai citu priekšmetu apdraudējumu.

PIEZĪME. Izceļ ieteikumus un informāciju.

Vispārējā lietošana

Šis rokas putekļsūcējs paredzēts tikai lietošanai mājās apstākļos, bet ne komerciālai vai rūpnieciskai lietošanai.

- Lietojiet rokas putekļsūcēju tikai telpās un sausu virsmu tīrīšanai; tīrāmajai zonai jābūt labi apgaismotai.
- Tas nav paredzēts cietu vai asu priekšmetu, piemēram, stikla, naglu, skrūvju, monētu utt. savākšanai.
- Tas nav paredzēts karstu ogļu, cigarešu izdedžu, sērkokciņu vai degošu un dūmojošu priekšmetu savākšanai.
- Nelietojiet vietā, kas ir slapja vai kurā var būt kaitīgi šķidrums (noteku tīrītājs, kura sastāvā ir hlors, balinātājs vai amonjaks).
- Nemēģiniet atbrīvot nosprostojumu ar asiem priekšmetiem, jo tie var sabojāt rokas putekļsūcēju.

- Šim rokas putekļsūcējam jālieto tikai Dirt Devil ieteiktais lādētājs, darbarīki un piederumi, kā arī pirms lietošanas jāpārbauda, vai grīdas suka un piederumi nav bojāti, netīri un aizsērējuši.
- Pirms apkopes veikšanas rokas putekļsūcējs jāizslēdz vai jāatvieno no lādētāja. Visus vajadzīgos piesardzības pasākumus skatiet attiecīgajā lietošanas rokasgrāmatas sadaļā.
- Pirms rokas putekļsūcēja lietošanas vienmēr pārbaudiet, vai separators un filtri ir pareizi uzstādīti.
- Visām atverēm jābūt tīrām, tās nedrīkst būt aizsērējušas, citādi mazinās gaisa plūsma un sūkšanas jauda.
- Ievērojiet īpašu piesardzību, strādājot ar rokas putekļsūcēju uz kāpnēm.



BRĪDINĀJUMS! Pirms apkopes veikšanas vai problēmu novēršanas rokas putekļsūcējs jāizslēdz un jāatvieno no lādētāja.



UZMANĪBU! Raugieties, lai putekļu tvertne nebūtu pārpildīta, citādi tiek traucēta rokas putekļsūcēja gaisa plūsma. Lai panāktu labāko tīrīšanas efektivitāti, ikreiz pēc darba iztukšojiet putekļu tvertni. Filtri jānokrata virs atkritumu tvertnes ik pēc 4–6 lietošanas reizēm, lai notīrītu putekļus, un jāmazgā ik pēc 3 mēnešiem. Filtri jānomaina ik pēc 6–9 mēnešiem atkarībā no tā, cik intensīvi ierīce tiek lietota.

Drošība

- Šo rokas putekļsūcēju var ekspluatēt bērni vecumā no 8 gadiem un personas, kam ir ierobežotas fiziskās, sensorās vai psihiskās spējas vai trūkst pieredzes un zināšanu, ja šīs personas vai bērni tiek uzraudzīti vai apmācīti rokas putekļsūcēja drošā lietošanā un ja viņi izprot visus riskus saistībā ar to. Nedrīkst ļaut bērniem spēlēties ar rokas putekļsūcēju. Bērni drīkst tīrīt ierīci un veikt tai apkopi tikai pieaugušo uzraudzībā.

- Strādājot ar rokas putekļsūcēju, netuviniet pirkstus, matus un vaļīgu apģērbu kustīgajām detaļām un atverēm.
- Nelietojiet rokas putekļsūcēju, ja tas nomests zemē, sabojāts, iegremdēts ūdenī vai turēts ārpus telpām.
- Nepieskarieties lādētāja kontaktdakšai un rokas putekļsūcējam ar slapjām rokām.
- Nelietojiet rokas putekļsūcēja lādētāju, ja ir bojāts tā vads vai kontaktdakša.
- Neatvienojiet lādētāju no barošanas avota, raujot aiz lādētāja vada.

Barošana

- Neuzlādējiet rokas putekļsūcēju ārpus telpām un neatstājiet lādētāju pievienotu barošanas avotam, ja tas netiek lietots.
- Neuzlādējiet rokas putekļsūcēju ar nepareizu lādētāju, jo var sabojāt ierīci vai lietotājs gūt ievainojumus. Informācija par pareizo lādētāju ir norādīta datu plāksnītē.
- Vienmēr lietojiet tikai to lādētāju, kas iekļauts rokas putekļsūcēja komplektācijā. Ja rokas putekļsūcēja uzlādēšanai tiek izmantots pagarinājuma vads, lietojiet tikai 13 A pagarinājuma vadus ar CE marķējumu; neatzīti pagarinājuma vadi var pārkarst. Rūpīgi izvietojiet pagarinājuma vadu tā, lai aiz tā nevarētu paklupt.

Grīdas suka



BRĪDINĀJUMS! Ieslēdzot ierīci, tās instrumentgalvā griežas grīdas sukas sari.

Neturiet instrumentgalvu nekustīgi ilgu laiku vienā virsmas laukumā, jo grīdas suka var sabojāt grīdas segumu. Tīrot cietos grīdas segumus, vienmēr izslēdziet grīdas suku. Lai nesabojātu virsmu, vispirms izmēģiniet ierīci neuzkritošā vietā.



UZMANĪBU! Ja grīdas suka

instrumentgalvā ir nosprostota, var tikt aktivizēts grīdas sukas motora aizsardzības sensors. Grīdas suka pārstāj darboties, un uz instrumentgalvas iedegas sarkans indikators. Lai atiestatītu rokas putekļsūcēju, izslēdziet to un grīdas suku, noņemiet instrumentgalvu no teleskopiskā kāta vai korpusa un iztīriet nosprostojumu. Nogaidiet 1 minūti, tad uzstādiet instrumentgalvu atpakaļ, ieslēdziet rokas putekļsūcēju un nospiediet grīdas sukas ieslēgšanas/izslēgšanas pogu.

Uzglabāšana

- Uzglabājiet rokas putekļsūcēju vēsā, sausā vietā. Ja filtri ir iztīrīti saskaņā ar lietošanas rokasgrāmatas norādījumiem, tie rūpīgi jāizžāvē pirms novietošanas uzglabāšanā. Šis rokas putekļsūcējs nevar patstāvīgi atrasties vertikālā pozīcijā bez balsta. Starp lietošanas reizēm novietojiet to līdzīgi uz zemes piemērotā vietā, lai aiz tā nevar paklupt vai uz to uzkāpt.

Akumulators un nodošana atkritumos



UZMANĪBU! Ja ar šīs ierīces akumulatoru nerīkojas pareizi, tas var aizdegties vai radīt ķīmiskus apdegumus. Neizjauciet akumulatoru un nesildiet to temperatūrā, kas pārsniedz maksimālo ierobežojumu (60 °C / 140 °F), kā arī nesadedziniet. Ja tiek lietots citu akumulators, var rasties ugunsgrēka vai sprādziena risks.

■ Ja ierīce tiek nodota atkritumos, no tās jāizņem akumulators, kurš pēc tam uzreiz jānodod atkritumos nekaitīgā veidā. Glabājiet bērniem nepieejamā vietā. Pirms nodošanas atkritumos aptiniet atsegtās spaiļes ar biezu izolācijas lentu, lai neizraisītu īssavienojumu. Nolietotais akumulators jānogādā vietējā akumulatoru otrreizējās pārstrādes punktā.

■ Neizjauciet akumulatoru, neatvienojiet detaļas no akumulatora spailēm un nesadedziniet akumulatoru ugunī. Lietotājam nav paredzēts patstāvīgi veikt akumulatora un lādētāja remontu. Šāda rīcība var izraisīt ugunsgrēku vai ievainojumus.

■ Pirms darba ar ierīci un pirms akumulatora izņemšanas no ierīces, lai to nodotu atkritumos, ierīcei jābūt atvienotai no barošanas avota. Ja akumulatoram radusies noplūde, raugieties, lai nenotiek saskare ar ādu, un zvaniet pa tālr.: +800 2672 6677.

SAGLABĀJIET ŠOS NORĀDĪJUMUS TURPMĀKĀM UZZIŅĀM

Paldies!

Priecājamies, ka izvēlējāties Dirt Devil ierīci. Ceram, ka šī ierīce atbilst jūsu vajadzībām, un pateicamies par pirkumu.

Sīkāku informāciju par ierīci atradīsiet šajā rokasgrāmatā un mūsu tīmekļa vietnē www.dirtdevil.de.

Ja vēlaties sazināties ar Dirt Devil klientu apkalpošanas dienestu, skatiet kontaktinformāciju 2. lpp.

Tehniskie dati

Ierīces veids	Bezvadu putekļsūcējs
Modelis	DD778, DD778 (-0/.../-9)
Uzlādējams akumulators	Litija jonu, 32 V
maks. darba ilgums	aptuveni 45 min.
maks. uzlādes ilgums	aptuveni 4 stundas
Elektrotīkla adapters	Ieeja: 100–240 V ~, 1 A Izeja: 34 V, 600 mA
Putekļu tvertnes tilpums	Maks. līmenis: 0,3 l; maks. tilpums: 0,6 l
Jauda	234 W
Svars	3,1 kg

Vides aizsardzība un nodošana atkritumos

Ja vēlaties nodot ierīci atkritumos, izņemiet uzlādējamo akumulatoru no ierīces un nododiet to atkritumos atsevišķi no ierīces.



Neizmetiet ierīci, uzlādējamo akumulatoru vai elektrotīkla adapteru sadzīves atkritumos.



Nogādājiet ierīci, uzlādējamo akumulatoru un elektrotīkla adapteru atsevišķos savākšanas punktos.

Litija jonu

Garantija

Ja ierīce ir iegādāta Eiropas Savienībā, minimālais garantijas standarts tiek noteikts pēc attiecīgajiem valsts tiesību aktiem, kuri ieviesti saskaņā ar ES Direktīvu 2011/83/ES. Valstis ārpus ES tiek piemēroti konkrētās valsts minimālās garantijas prasības. Tas neattiecas uz akumulatoriem un uzlādējamiem akumulatoriem, kuri ir bojāti vai kam samazinājies darbības laiks parasta nolietojuma vai nepareizas lietošanas rezultātā.



Mēs paturam tiesības mainīt tehniskos un konstrukcijas datus, lai nepārtraukti pilnveidotu ierīci.

© Royal Appliance International GmbH

IERĪCES DETALU APRAKSTS

Att. 1

- A. Pārnēsāšanas rokturis
- B. Putekļu tvertne
- C. Putekļu iztukšošanas poga
- D. Filtra vāks un filtrs
- E. Putekļu tvertnes atbrīvošanas svira
- F. Akumulatora uzlādes līmeņa indikators
- G. Pilnas jaudas poga
- H. Grīdas sukas ieslēgšanas/izslēgšanas poga
- I. Ieslēgšanas/izslēgšanas poga
- J. Uzlādēšanas ligzda
- K. Teleskopiskais kāts
- L. Instrumentgalva
- M. Grīdas suka
- N. Lādētājs
- O. Sienas kronšteins, 2 skrūves un sienas dībeļi
- P. Spraugu tīrīšanas uzgaļa turētājs

Saturs, att. 2

- A. Spraugu tīrīšanas uzgalis
- B. Putekļu suka

Izņemšana no iepakojuma un montāža

1. Izņemiet saturu no iepakojuma un pārbaudiet, vai komplektā ir visas detaļas (att. 1 un 2).
2. Piestipriniet teleskopisko kātu un instrumentgalvu pie korpusa. Tie tiek nofiksēti paredzētajā vietā (att. 3).
3. Uzstūmiet spraugu tīrīšanas uzgaļa turētāju uz teleskopiskā kāta apakšdaļas un ievietojiet tajā uzgali (att. 4).

Sienas kronšteina piestiprināšana

1. Kamēr korpusš vēl nav piestiprināts pie teleskopiskā kāta un instrumentgalvas, uzstūmiet teleskopiskā kāta augšpusē sienas kronšteinu tā, lai tas atrastos aizmugurē (att. 5/1).
2. Izvēlieties vietu, kur uzglabāsiet rokas putekļsūcēju: vēlams, barošanas kontaktlīdzdas tuvumā, tomēr ne

tieši virs vai zem tās. Atbalstiet rokas putekļsūcēja instrumentgalvu un teleskopisko kātu pret sienu tā, lai instrumentgalva būtu līdzeni uz grīdas.

3. Stingri turiet sienas kronšteinu pie sienas un ar zīmuli atzīmējiet skrūvju vietas uz sienas (att. 5/2). Iesiet sienā dībeļus un pieskrūvējiet pie tiem sienas kronšteinu.
4. Lādētāja vadu un putekļu suku var piekārt pie sienas kronšteina (att. 6).
5. Samontējiet visu rokas putekļsūcēju un stingri iespiediet to sienas kronšteinā. Vienmēr pārliecinieties, vai rokas putekļsūcējs ir cieši nofiksēts.

PIEZĪME. Pirms lietošanas pirmoreiz jāuzlādē akumulators. Sākotnējā uzlāde jāveic 4 stundas. Ja akumulators netiek pilnībā uzlādēts pirms lietošanas pirmoreiz, var zūst akumulatora efektivitāte. Akumulatora kalpošanas laiks ir atkarīgs no tā, cik intensīvi tiek lietots rokas putekļsūcējs.

Rokas putekļsūcēja uzlādēšana

1. Lai uzlādētu rokas putekļsūcēju, stingri iespiediet to sienas kronšteinā. Tāpat to var uzlādēt arī bez teleskopiskā kāta: atvienojiet rokas putekļsūcēju no teleskopiskā kāta un piederumiem, tad novietojiet uz līdzenas, stabilas virsmas.
2. Iespraudiet lādētāja vadu uzlādēšanas ligzdā (att. 1/J), kas atrodas korpusa pārnēsāšanas rokturī, un pievienojiet lādētāja kontaktdakšu barošanas kontaktlīdzdai.
3. Uzlādējot akumulatoru, pa vienam pēc kārtas iedegas akumulatora uzlādes līmeņa indikatori, līdz deg visi četri (att. 7/1 un 7/2). Kad uzlāde ir pabeigta, indikatori izdziest. Uzlādējot pirmoreiz, sākotnējās uzlādes laiks ir 4 stundas.
4. Strādājot ar rokas putekļsūcēju, akumulatora uzlādes līmeņa indikatori norāda akumulatora

atlikušo uzlādes līmeni. Ja atlicis mazāk par 20 %, apakšējais indikators mirgo sarkanā krāsā, norādot, ka akumulators drīz būs tukšs un ir jāuzlādē (att. 7 /3).

Rokas putekļsūcēja lietošana



BRĪDINĀJUMS! Ieslēdzot ierīci, tās instrumentgalvā griežas grīdas sukas sari.

Neturiet instrumentgalvu nekustīgi ilgu laiku vienā virsmas laukumā, jo grīdas suka var sabojāt grīdas segumu. Tīrot cietos grīdas segumus, vienmēr izslēdziet grīdas suku. Lai nesabojātu virsmu, vispirms izmēģiniet ierīci neuzkrītošā vietā.



UZMANĪBU! Ja grīdas suka instrumentgalvā ir nosprostota, var tikt aktivizēts grīdas sukas motora aizsardzības sensors. Grīdas suka pārstāj darboties, un uz instrumentgalvas iedegas sarkans indikators (att. 18). Lai atiestatītu rokas putekļsūcēju, izslēdziet to un grīdas suku, noņemiet instrumentgalvu no teleskopiskā kāta vai korpusa un iztīriet nosprostojumu. Nogaidiet 1 minūti, tad uzstādiet instrumentgalvu atpakaļ, ieslēdziet rokas putekļsūcēju un nospiediet grīdas sukas ieslēgšanas/izslēgšanas pogu.

1. Ar kāju piespiediet instrumentgalvu (att. 8 /1) un velciet rokturi atpakaļ, lai noliektu ierīci uz aizmuguri (att. 8 /2).
2. Lai ieslēgtu rokas putekļsūcēju, nospiediet ieslēgšanas/izslēgšanas pogu uz roktura (att. 9 /1). Iedegas ieslēgšanas/izslēgšanas poga un akumulatora uzlādes līmeņa indikatori uz roktura (att. 7 /2).
3. Lai palielinātu sūkšanas jaudu īpaši netīru vietu tīrīšanai, aktivizējiet pilnas jaudas režīmu (att. 9 /3).
4. Lai ieslēgtu grīdas suku, nospiediet grīdas sukas ieslēgšanas/izslēgšanas pogu (att. 9 /2). Ja grīdas

suka ir ieslēgta, iedegas instrumentgalvas un grīdas sukas ieslēgšanas/izslēgšanas indikators, un grīdas suka sāk griezties. Lai izslēgtu grīdas suku, vēlreiz nospiediet grīdas sukas ieslēgšanas/izslēgšanas pogu.

PIEZĪME. Tīrot paklājus, grīdas sukai instrumentgalvā jābūt ieslēgtai; tīrot cietus grīdas segumus, tai jābūt izslēgtai. Nepārtraukti lietojot pilnas jaudas režīmu un grīdas slotu, saīsinās akumulatora darbības laiks.

5. Visus piederumus, tostarp instrumentgalvu, var piestiprināt pie korpusa (att. 10) vai teleskopiskā kāta. Spraugu tīrīšanas uzgali un putekļu suku var izmantot grūti aizsādzamam vietu tīrīšanai un virsmu tīrīšanai dažādos augstumos.

ROKAS PUTEKĻSŪCĒJA APKOPE



BRĪDINĀJUMS! Pirms apkopes veikšanas vai problēmu novēršanas rokas putekļsūcējs jāizslēdz un jāatvieno no lādētāja.

Putekļu tvertnes noņemšana un novietošana atpakaļ

1. Nospiediet putekļu tvertnes sviru (att. 11/1), lai atbrīvotu putekļu tvertni, tad sasveriet to un nolieciet nost no rokas putekļsūcēja (att. 11/2).

PIEZĪME. Ja separators un tvertnes vāks tika noņemti no ierīces, lai tos iztīrītu, pirms putekļu tvertnes uzstādīšanas atpakaļ pārlicinieties, vai separators ir vietā un tvertnes vāks ir cieši nofiksēts (att. 13/1).

2. Lai putekļu tvertni piestiprinātu atpakaļ, savietojiet tās fiksatoru ar rokas putekļsūcēja rokturi (att. 12/1). Nospiediet putekļu tvertnes sviru (att. 12/2) un piespiediet putekļu tvertni pie rokas putekļsūcēja.

Atlaidiet putekļu tvertnes sviru, lai nofiksētu tvertni vietā.

3. Ja uzstādīta pareizi, visi 3 savienojuma punkti ir pareizi savietoti un līdzīgi (att. 13).

Putekļu tvertnes iztukšošana

1. Nospiediet putekļu tvertnes sviru (att. 11/1), lai atbrīvotu putekļu tvertni, tad sasveriet to un noceliet nost no rokas putekļsūcēja (att. 11/2).

2. Turiet putekļu tvertni virs atkritumu tvertnes un nospiediet putekļu iztukšošanas pogu, lai izbirtu visi netīrumi un putekļi (att. 14/1, 2).

3. Lai aizvērtu, uzspiediet atpakaļ putekļu iztukšošanas vāku, līdz tas nofiksējas (att. 14/3).



UZMANĪBU! Raugieties, lai putekļu tvertne nebūtu pārpildīta, citādi tiek traucēta rokas putekļsūcēja gaisa plūsma. Lai panāktu labāko tīrīšanas efektivitāti, ikreiz pēc darba iztukšojiet putekļu tvertni. Filtri jānokrata virs atkritumu tvertnes ik pēc 4–6 lietošanas reizēm, lai notīrītu putekļus, un jāmazgā ik pēc 3 mēnešiem. Filtri jānomaina ik pēc 6–9 mēnešiem atkarībā no tā, cik intensīvi ierīce tiek lietota.

Filtra un separatora tīrīšana

1. Iztukšojiet putekļu tvertni (att. 14).

2. Paceliet putekļu tvertnes vāku mēlīti (att. 15/1, 2) un noceliet filtra vāku un separatoru nost no putekļu tvertnes (att. 15/3).

3. Pakratiet separatoru virs atkritumu tvertnes, lai notīrītu putekļus, un ar sausu lupatiņu noslaukiet metāla apmali (att. 16/1).

4. Pavelciet filtra mēlīti, lai izņemtu filtru no separatora (att. 16/2). Pasītiat filtru pret atkritumu tvertni, lai notīrītu putekļus (att. 16/3).

5. Nomazgājiet filtru tekošā ūdenī (maks. 40 °C) (att. 17). Žāvējiet vismaz 24 stundas vai tīkmēr, kamēr pilnībā izžuvis, un tad novietojiet atpakaļ uz ierīces.

Instrumentgalvas grīdas suku tīrīšana un piestiprināšana atpakaļ

1. Ar monētu iespiediet un pagrieziet grīdas suku fiksatoru pretēji pulksteņrādītāja virzienam, lai atbrīvotu grīdas suku (att. 19/1).

2. Izvelciet grīdas suku ārā no tās korpusa (att. 20/1).

3. Lai iztīrītu no diegiem un matiem, virziet šķēres pa grīdas suku rievu visā garumā un nogrieziet diegus un matus. Iztīriet putekļus un netīrumus no uzgaļiem un instrumentgalvas korpusa (att. 21).

4. Uzstādiet atpakaļ grīdas suku (att. 20/2) un pagrieziet grīdas suku fiksatoru pulksteņrādītāja virzienā (att. 19/2).

Instrumentgalvas siksnas noņemšana un nomaiņa

1. Ar krustiņskrūvgriezi atskrūvējiet 3 skrūves un noņemiet pārsegu (att. 22/1).

2. Ja sikсна ir bojāta, noņemiet to no zobratņiem un notīriet zobratņus. Uzlieciet jauno siksnu vispirms uz mazākā zobratņa. Pārbīdīet siksnu tālāk uz lielākā zobratņa virsmas un tad grieziet siksnu un zobratņi pretēji pulksteņrādītāja virzienam. Griežot zobratņi, sikсна tiek pamazām uzstumta uz tā (att. 22/2).

3. Uzstādiet atpakaļ siksnas pārsegu un pievelciet skrūves.

Nosprostoju pārbaude

1. Nospiediet korpusa atbrīvošanas pogu un noņemiet teleskopisko kātu. Pārbaudiet, vai korpusa savienojuma vietā un tvertnes ieejā nav uzkrājušies netīrumi un putekļi, un iztīriet tos (att. 23/1).

2. Pārbaudiet, vai instrumentgalva nav nosprostota, un, ja ir, ar trulu priekšmetu aizvāciet nosprostojumu (att. **23**/2).

3. Lai pārbaudītu, vai teleskopiskais kāts nav nosprostots, iemetiet tajā bumbiņā savīstītu papīra gabalu. Ja teleskopiskais kāts ir tīrs, papīrs izkritīs cauri. Lai aizvāktu nosprostojumu, izmantojiet slotas kātu vai tamlīdzīgu trulu priekšmetu (att. **23**/3).

PIEDERUMI UN REZERVES DAĻAS

Apmeklējiet mūsu tīmekļa vietni:

www.dirtdevil.de

Mūsu tīmekļa vietnē plašā izvēlē ir pieejams rezerves daļu un piederumu klāsts, kā arī praktiski padomi un ieteikumi, kā varat lietot savu Dirt Devil ražojumu.

PROBLĒMU NOVĒRŠANA

Trūkst kāds no piederumiem

Pārbaudiet iepakojuma saturu (att. 2).

Kāpēc rokas putekļsūcēju nevar ieslēgt?

- Iespējams, rokas putekļsūcējs ir jāuzlādē. Skatiet sadaļu **Rokas putekļsūcēja uzlādēšana**.
- Iespējams, atvienots motora termostats. Iztukšojiet putekļu tvertni un pārbaudiet, vai nav nosprostojumu. Iztīriet filtrus un nogaidiet aptuveni 1 stundu, līdz rokas putekļsūcējs atdziest. Ja filtri ir izmazgāti, ļaujiet tiem pilnībā izžūt 24 stundas un tikai tad uzstādiet atpakaļ rokas putekļsūcējam.

Kāpēc rokas putekļsūcējs nesavāc putekļus?

- Iespējams, putekļu tvertne nav pareizi uzstādīta. Skatiet sadaļu **Putekļu tvertnes noņemšana un novietošana atpakaļ**.
- Iespējams, putekļu tvertne ir nosprostota. Pārbaudiet, vai putekļu tvertnē un korpusa ieejā nav nosprostojumu. Skatiet sadaļu **Putekļu tvertnes iztukšošana**.
- Iespējams, filtri ir aizsērējuši. Skatiet sadaļu **Filtra un separatora tīrīšana**.
- Iespējams, ierīce ir nosprostota. Skatiet sadaļu **Nosprostojuma pārbaude**.
- Grīdas suka instrumentgalvā nav aktivizēta. Skatiet sadaļu **Rokas putekļsūcēja lietošana**.
- Iespējams, instrumentgalva ir nosprostota. Skatiet sadaļu **Instrumentgalvas grīdas sukas tīrīšana un piestiprināšana atpakaļ**.
- Iespējams, rokas putekļsūcējs, instrumentgalva un teleskopiskais kāts nav pareizi uzstādīti. Skatiet sadaļu **Izņemšana no iepakojuma un montāža**.

Kāpēc uz ierīces deg sarkans indikators?

- Akumulatora uzlādes līmenis ir zems (< 20 %). Skatiet sadaļu **Rokas putekļsūcēja uzlādēšana**.

Kāpēc uz instrumentgalvas deg sarkans indikators?

- Grīdas suka instrumentgalvā ir nosprostota. Skatiet sadaļu **Instrumentgalvas grīdas sukas tīrīšana un piestiprināšana atpakaļ**.

Kāpēc instrumentgalva negriežas?

- Grīdas suka instrumentgalvā nav aktivizēta. Skatiet sadaļu **Rokas putekļsūcēja lietošana**.
- Iespējams, ierīce vai grīdas suka ir nosprostota. Skatiet sadaļu **Instrumentgalvas grīdas sukas tīrīšana un piestiprināšana atpakaļ**.
- Iespējams, rokas putekļsūcējs, instrumentgalva un teleskopiskais kāts nav pareizi uzstādīti. Skatiet sadaļu **Izņemšana no iepakojuma un montāža**.
- Iespējams, bojāta instrumentgalvas sikсна. Skatiet sadaļu **Instrumentgalvas siksnas noņemšana un nomaināna**.

Pirms sazināties ar Dirt Devil klientu apkalpošanas dienestu vai nosūtāt ierīci Dirt Devil klientu apkalpošanas dienestam aicinām apmeklēt mūsu tīmekļa vietni, kurā atradīsiet plašu klāstu lietderīgas informācijas, kas palīdzēs novērst problēmas.
www.dirtdevil.de/service

OHUTUSTEAVE

Teave selle kasutusjuhendi kohta

Lugege see kasutusjuhend enne seadme kasutamist täielikult läbi. Hoidke kasutusjuhend vaatamiseks alles. Kui annate oma seadme üle kolmandale poolele, peab sellega kaasa panema ka kasutusjuhendi. Kasutusjuhendi mittejärgimine võib põhjustada raskeid vigastusi või masina kahjustumist. Me ei võta mingit vastutust kahjude eest, mis on tingitud kasutusjuhendi mittejärgimisest. Oluline teave, mida selles peatükis pole nimetatud, on tähistatud järgmiselt.



HOIATUS. Hoiatab terviseohust ja näitab ära võimalikud vigastusohud.



ETTEVAATUST! Näitab võimalikke ohte seadmele või muudele esemetele.

MÄRKUS. Tõstab esile näpunäiteid ja teavet.

Üldine kasutus

See varstolmuimeja on ette nähtud kasutamiseks ainult koduses majapidamises, MITTE kommerts-ja tööstustingimustes.

- Kasutage varstolmuimejat ainult sisetingimustes ja hoidke puhastatav ala hästi valgustatud.
- Ärge imege seadmesse kõvasid ega teravaid esemeid, nagu klaas, naelad, kruvid või mündid jne.
- Ärge imege seadmesse kuuma sütt, sigaretikonisid, tikke ega muid põlevaid või suitsevaid esemeid.
- Ärge kasutage seadet märjal alal ega kohas, kus võib olla ohtlikke vedelikke (kloor, pleegiti või ammoniaaki sisaldav torupuhastusvahend).
- Ärge üritage eemaldada ummistusi teravate esemetega, see võib varstolmuimejat kahjustada.

- Kasutage selle varstolmuimejaga ainult Dirt Devili soovitatud laadijat, tööriistu ja lisatarvikuid ning kontrollige enne kasutamist alati, ega pörandaotsakul ja lisatarvikutel ei ole kahjustusi, mustust ning prahti.

- Enne mis tahes hooldust lülitage varstolmuimeja alati välja või eemaldage laadijast. Vajalikke ettevaatusabinõusid vaadake kasutusjuhendi asjakohasest jaotisest.

- Enne varstolmuimeja kasutamist veenduge alati, et vaheleht ja filtrid oleksid õigesti paigaldatud.

- Hoidke kõik avad avatuna ja vabana prahist, kuna see võib mõjutada õhuvoolu/imemist.

- Olge eriti ettevaatlikud varstolmuimeja kasutamisel trepil.



HOIATUS. Lülitage varstolmuimeja alati välja ning eemaldage see laadijast ja vooluvõrgust, enne kui teete mis tahes hooldustöid või tõrkeotsingut.



ETTEVAATUST! Ärge täitke prahikonteinerit üle, et vältida õhuvoolu blokeerimist läbi varstolmuimeja. Parima koristustulemuse saamiseks tühjendage prahikonteiner pärast iga kasutuskorda. Filtreid tuleb prügikasti kohal koputada mustuse ja prahi eemaldamiseks iga 4–6 kasutuskorra järel ja pesta iga 3 kuu järel. Filtrid tuleb välja vahetada iga 6–9 kuu järel olenevalt kasutussagedusest.

Ohutus

- Seda varstolmuimejat on lubatud kasutada üle 8 aasta vanustel lastel ja vähenenud füüsiliste, sensoorsete ning vaimsete võimetega isikutel või kogemusteta ja teadmista isikutel järelevalve all või kui neile on õpetatud seadme ohutut kasutamist ning nad on teadlikud selle kasutamisega seotud ohtudest. Lapsed ei tohi varstolmuimejaga mängida. Lapsed ei tohi seadet järelevalveta puhastada ja hooldada.

- Hoidke varstolmuimeja kasutamise ajal näpud, juuksed ja lahtised riideesemed masina liikuvatest osadest ning avadest eemal.
- Ärge kasutage varstolmuimejat, kui see on maha kukkunud, kahjustatud või jäetud välitingimustesse.
- Ärge puudutage laadija pistikut ega kasutage varstolmuimejat niiskete kätega.
- Ärge kasutage varstolmuimeja laadijat, kui laadija juhe või pistik on kahjustunud.
- Ärge eemaldage laadijat vooluvõrgust juhtmest tõmmates.

Toiteallikas

- Ärge laadige varstolmuimejat välitingimustes ega jätke laadijat vooluvõrku, kui seda ei kasutata.
- Ärge kasutage varstolmuimejat sobimatu laadijaga, kuna see võib kahjustada masinat või vigastada masina kasutajat. Sobiva laadija teave on näidatud andmesildil.
- Kasutage alati varstolmuimejaga kaasas olevat laadijat. Kui laete varstolmuimejat pikendusjuhtme abil, kasutage ainult CE heakskiiduga 13 A pikendusjuhete. Heakskiiduta pikendusjuhtmed võivad üle kuumeneda. Pikendusjuhtme kasutamisel olge ettevaatlikud, kuna see võib põhjustada komistamist.

Hari



HOIATUS. Elektrilises otsakus olev hari pöörleb sisselülitatud olekus pidevalt.

Ärge kunagi kasutage elektrilist otsakut pikka aega ühes kohas, kuna hari võib põrandapinda kahjustada. Kõvade põrandate puhastamisel lülitage elektrilise otsaku hari alati välja. Püsikahjustuste ennetamiseks katsetage esmalt põranda varjatud osal.



ETTEVAATUST! Kui elektrilises otsakus

olev hari kiilub kinni, võib harja mootorikaitseandur aktiveeruda. Hari seiskub ja elektrilise otsaku tuli süttib punaselt. Lähetestamiseks lülitage hari ja varstolmuimeja välja, eemaldage elektriline otsak pikendusvarre/käepideme küljest ning kõrvaldage takistus. Oodake 1 minut, enne kui elektrilise otsaku tagasi panete, seejärel lülitage varstolmuimeja sisse ja vajutage harja toitenuppu.

Hoiustamine

- Hoidke varstolmuimejat jahedas ja kuivas kohas. Filtrite puhastamisel kasutusjuhendi suuniste järgi veenduge, et need oleksid täiesti kuivad, enne kui panete need hoiule. See varstolmuimeja ei seisa ilma püsitoeta püsti. Kasutuskordade vahel asetage see pikali põrandale kohta, kus see ei põhjusta komistamisohtu ja kus sellele ei astuta peale.

Aku ja kõrvaldamine



ETTEVAATUST! Seadmes kasutatav aku võib valesti käsitlemisel põhjustada tuleohtu või kemikaalipõletuse ohtu. Ärge võtke akut lahti ja hoidke see eemal suuremast kuumusest kui tootja määratud maksimaalne temperatuuripiirang (60 °C / 140 °F), samuti ärge põletage seda. Muu aku kasutamine võib põhjustada tulekahju- või plahvatusohtu.

- Enne seadme kõrvaldamist tuleb aku sellest välja võtta ning ohutult ja kohe kasutuselt kõrvaldada. Hoidke laste käeulatuses eemal. Enne kõrvaldamist kaitske paljastatud klemmid tugeva isoleerteibiga, et vältida lühist. Aku tuleb kõrvaldada ohutult, viies selle kohalikku akukäitluskeskusse.
- Ärge püüdke akut lahti võtta, eemaldada ühtki aku klemmidelt eenduvat osa ega visake seda tulle. Akul ja laadijal pole kasutaja hooldatavaid osi. Võib põhjustada tulekahju või vigastusi.
- Seade tuleb enne kasutamist või kasutusest kõrvaldamisel enne aku eemaldamist vooluvõrgust lahutada. Akulekke korral vältige akuvedeliku nahale sattumist ja helistage numbril +800 2672 6677.

**HOIDKE SUUNISED EDASPIDISEKS
KASUTAMISEKS ALLES**

Aitäh!

Meil on hea meel, et otsustasite osta Dirt Devili toote. Loodame, et naudite oma seadme kasutamist, ja soovime teid ostu eest tänada.

Lisateavet oma toote kohta leiate sellest kasutusjuhendist ja meie veebisaidilt www.dirtdevil.de. Dirt Devili teenindusosakonnaga ühenduse võtmiseks vaadake kontaktandmeid lk 2.

Tehnilised andmed

Seadme tüüp	Juhtmeta tolmuimeja
Mudel	DD778, DD778 (-0/.../-9)
Laetav aku	Liitiumioonaku, 32 V
Max tööaeg	Ligikaudu 45 min
Max laadimisaeg	Ligikaudu 4 tundi
Vooluvõrguadapter	Sisend: 100–240 V vahelduvvool, 1 A Väljund: 34 V, 600 mA
Tolmukoguri maht	max täitemaht 0,3 l, kogumaht 0,6 l
Toide	234 W
Mass	3,1 kg

Keskonnakaitse ja kõrvaldamine

Kui soovite seadme kasutuselt kõrvaldada, võtke laetav aku välja ning kõrvaldage aku ja seade eraldi.



Ärge visake seadet, laetavat akut ega vooluvõrguadapterit olmejäätmete sekka.



Viige seade, laetav aku ja vooluvõrguadapter eraldi sobivatesse kogumispunktidesse.

Li-ion

Garantii

Kui olete seadme ostnud tarbijana Euroopa Liidus, kehtib minimaalne garantiistandardina Euroopa Liidu direktiivi 2011/83/EL alusel rakendatud vastav riiklik seadusandlus. Euroopa Liidu välistes riikides kehtivad asjaomase riigi minimaalsed garantiitingimused. See ei kehti patareidele ega laetavatele akudele, mille rike või vähenenud tööaeg on põhjustatud normaalsest kulumisest või valest käsitsemisest.



Jätame endale õiguse muuta tehnilisi andmeid ja kujundust toote jätkuva parendamise huvides.

© Royal Appliance International GmbH

SEADME TUNDMAÕPPIMINE

Joonis 1

- A. Kandepide
- B. Prahikonteiner
- C. Prahivabastusnupp
- D. Filtrikate ja filter
- E. Prahikonteineri vabastusriiv
- F. Akutaseme märgutuli
- G. Võimendusnupp
- H. Harja toitenupp
- I. Toitenupp
- J. Laadimisport
- K. Pikendusvars
- L. Elektriline otsak
- M. Hari
- N. Laadija
- O. Seinakinnitus, 2 kruvi ja tüüblit
- P. Praootsaku hoiupesa

Karbi sisu, joonis 2

- A. Praootsak
- B. Tolmuhari

Lahtipakkimine ja kokkupanek

1. Pakkige karbi sisu lahti ja kontrollige, kas kõik osad on olemas (joonised 1 ja 2).
2. Kinnitage pikendusvars ja elektriline otsak käepideme külge. Paika lukustumisel kõlab klõps (joonis 3).
3. Lükake praootsaku hoiupesa pikendusvarre otsa ja pange otsak pessa (joonis 4).

Seinakinnituse paigaldamine

1. Lükake seinakinnitus käepidemeta pikendusvarre ja elektrilise otsaku ülaotsale tagumisele küljele (joonis 5/1).
2. Valige välja koht, kus soovite varstolmuimejat hoiustada, soovitatavalt elektrikontakti lähedal, kuid mitte otse selle kohal või all. Asetage varstolmuimeja elektriline otsak ja vars vastu seinast püsti, jälgides, et elektriline otsak oleks pörandaga ühetasa.

3. Hoides seinakinnitust kindlalt vastu seinast, tehke mõlema kruvi jaoks väike märge. (Joonis 5/2) Kinnitage seinakinnitus kruvide ja tüüblite abil seinale.

4. Laadija juhtme ja tolmuharja saab kinnitada seinakinnitusele (joonis 6).

5. Pange varstolmuimeja täielikult kokku ja suruge see tugevasti seinakinnitusse. Veenduge alati, et varstolmuimeja oleks kindlalt paika kinnitunud.

Varstolmuimeja laadimine

1. Varstolmuimeja laadimiseks kinnitage see tugevasti seinakinnitusse. Laadimine on võimalik ka käepidemega. Selleks eemaldage varstolmuimeja pikendusvarre ja otsakute küljest ning asetage tasasele kindlale pinnale.

MÄRKUS. Esmane laadimine kestab 4 tundi ja enne esimest kasutuskorda on laadimine nõutav. Aku laadimata jätmine enne esmakasutust võib põhjustada aku kehva jõudlust. Aku eeldatav tööiga erineb olenevalt varstolmuimeja kasutamisest.

2. Sisestage laadija juhe laadimispeassa (joonis 1/J), mis asub käepideme kandepideme küljes, ja ühendage laadija pistik vooluvõrku.
3. Akutaseme märgutuled süttivad järjest aku laadimisel, kuni kõik neli tuld põlevad (joonised 7/1 ja 7/2). Kui aku on täis, siis tuled kustuvad. Esmakordsel laadimisel kulub laadimiseks 4 tundi.
4. Varstolmuimeja kasutamise ajal põlevad akutaseme märgutuled, näidates järelejäänud laetust. Kui laetuse tase on alla 20%, vilgub alumine märgutuli punaselt, näidates, et aku on tühjenemas ja peate seda laadima (joonis 7/3).

Varstolmuimeja kasutamine



HOIATUS. Elektrilises otsakus olev hari pöörleb sisselülitatudolekus pidevalt.

Ärge kunagi kasutage elektrilist otsakut pikka aega ühes kohas, kuna hari võib pörandapinda kahjustada. Kõvade pörandate puhastamisel lülitage elektrilise otsaku hari alati välja. Püsi kahjustuste ennetamiseks katsetage esmalt pöranda varjatud osal.



ETTEVAATUST! Kui elektrilises otsakus olev hari kiilub kinni, võib harja mootorikaitseandur aktiveeruda. Hari seiskub ja elektrilise otsaku tuli süttib punaselt (joonis 18). Lähtestamiseks lülitage hari ja varstolmuimeja välja, eemaldage elektriline otsak pikendusvarre/käepideme küljest ning kõrvaldage takistus. Oodake 1 minut, enne kui elektrilise otsaku tagasi panete, seejärel lülitage varstolmuimeja sisse ja vajutage harja toitenuppu.

1. Pange oma jalg elektrilisele otsakule (joonis 8/1) ja tõmmake käepide tahapoole kaldu (joonis 8/2).
2. Varstolmuimeja sisselülitamiseks vajutage käepidemel olevat toitenuppu (joonis 9/1). Toitenupp ja akutaseme märgutuled käepidemel süttivad (joonis 7/2).
3. Imemisvõimsuse suurendamiseks eriti mustal alal, mis nõuavad lisapuhastust, saab aktiveerida võimendusrežiimi (joonis 9/3).
4. Harja sisselülitamiseks vajutage harja toitenuppu (joonis 9/2). Elektrilise otsaku tuli ja harja toitetuli süttivad harja sisselülitamisel ja hari hakkab pidevalt pöörlema. Harja väljalülitamiseks vajutage uuesti harja toitenuppu.

MÄRKUS. Elektrilise otsaku hari peab olema vaipade puhul SISSE lülitatud ja kõvade pörandate puhul VÄLJA lülitatud. Võimendusrežiimi ja harja pidev kasutamine vähendab aku tööaega.

5. Kõik lisatarvikud, sh elektrilise otsaku, saab kinnitada otse käepideme (joonis 10) või pikendusvarre külge. Praootsakut ja tolmuharja saab kasutada raskesti juurdepääsetavate kohtade puhul ja erinevatel kõrgustel pörandast kõrgemate kohtade puhastamiseks.

VARSTOLMUIMEJA HOOLDAMINE



HOIATUS. Lülitage varstolmuimeja alati välja ning eemaldage see laadijast ja vooluvõrgust, enne kui teete mis tahes hooldustöid või tõrkeotsingut.

Prahikonteineri eemaldamine ja tagasipanek

1. Lükake prahikonteineril olev vabastusriiv alla (joonis 11/1), kallutage prahikonteinerit ja eemaldage see varstolmuimeja küljest (joonis 11/2).

MÄRKUS. Kui konteineri kaas koos vahelehega on puhastamiseks eemaldatud, siis enne tagasipanekut veenduge, et vaheleht oleks tagasi pandud ja kaas lukustuks paika (joonis 13/1).

2. Tagasipanekuks seadke prahikonteineri ühenduskoht varstolmuimeja käepidemega kohakuti (joonis 12/1). Vajutage prahikonteineri vabastushooba (joonis 12/2) ja suruge prahikonteiner varstolmuimeja külge.

Vabastage prahikonteineri hoob, et prahikonteiner paika lukustuks.

3. Õige paigalduse korral on kõik kolm ühenduspunkti joondatud ja korrektselt paigas (joonis 13).

Prahikonteineri tühjendamine

1. Lükake prahikonteineril olev vabastusriiv alla (joonis 11/1), kallutage prahikonteinerit ja eemaldage see varstolmuimeja küljest (joonis 11/2).

2. Hoidke prahikonteinerit prügikasti kohal ja vajutage prahivabastusnuppu, et lasta prahil väljuda (joonised 14 / 1 ja 2).

3. Sulgemiseks vajutage prahivabastusluuki, nii et see klõpsab paika. (joonis 14/3).



ETTEVAATUST! Ärge täitke prahikonteinerit üle, et vältida õhuvoolu blokeerimist läbi varstolmuimeja. Parima koristustulemuse saamiseks tühjendage prahikonteiner pärast iga kasutuskorda. Filtreid tuleb prügikasti kohal koputada mustuse ja prahi eemaldamiseks iga 4–6 kasutuskorra järel ja pesta iga 3 kuu järel. Filtrid tuleb välja vahetada iga 6–9 kuu järel olenevalt kasutussagedusest.

Filtri ja vahelehe puhastamine

1. Tühjendage prahikonteiner (joonis 14).

2. Tõstke prahikonteineri kaanel olevat sakk (joonis 15/1 ja 2). Tõstke filtrikate ja vaheleht prahikonteinerilt ära (joonis 15/3).

3. Koputage vahelehte prügikasti kohal, et praht eemaldada, ning pühkige metallkate üle kuiva lapiga (joonis 16/1).

4. Tõmmake filtril olevat sakk, et see vahelehe küljest eemaldada (joonis 16/2). Koputage filtrit vastu prügikasti, et kogu praht eemaldada (joonis 16/3).

5. Peske filtrit voolava vee all (kuni 40 °C) (joonis 17). Enne tagasipanekut laske sel kuivada vähemalt 24 tundi või seni, kuni see on täiesti kuiv.

Elektrilise otsaku harja puhastamine ja tagasipanek

1. Vajutage ja pöörake harja lukk mündi abil vastupäeva, et hari vabastada (joonis 19/1).

2. Tõmmake hari harjakorpusest välja (joonis 20/1).

3. Niitide või juuksekarvade eemaldamiseks lükake kääriteri harja soonde ja löigake piki soont. Kõrvaldage mustus/praht otsakorkidest ja elektrilise harja korpusest (joonis 21).

4. Pange hari tagasi (joonis 20/2) ja pöörake harja lukk päripäeva kinni (joonis 19/2).

Elektrilise otsaku rihma eemaldamine ja tagasipanek

1. Keerake ristpeakruvikeeraja abil lahti kolm kruvi ja eemaldage kate (joonis 22/1).

2. Kui rihm on katki, võtke see ära ja eemaldage hammasrataste vahelt kogu praht. Rihma paigaldamiseks haakige see esmalt väikese hammasratta külge. Libistage rihm suure hammasratta ülaosale ning pöörake rihma ja hammasrattast vastupäeva. Pööramise ajal libiseb rihm hammasrattale (joonis 22/2).

3. Pange rihma kate tagasi ja keerake kruvid kinni.

Ummistuste kontrollimine

1. Vajutage käepideme vabastusnuppu ja eemaldage pikendusvars. Kontrollige prahi olemasolu käepideme ühenduskohas ja prahi väljastusavas. (joonis 23/1).
2. Kontrollige elektrilist otsakut ummistuste suhtes ja eemaldage ummistus nüri eseme abil. (joonis 23/2).
3. Pikendusvarre ummistuste kontrollimiseks visake väike paberikuul varre sisse. Kui vars on puhas, kukub paber sellest läbi. Ummistuse eemaldamiseks kasutage harjavart või muud sarnast nüri eset (joonis 23/3).

LISATARVIKUD JA VARUOSAD

Küalstage meid internetis aadressil

www.dirtdevil.de

Meie veebilehelt leiate suure valiku varuosi ja tarvikuid ning praktilisi näpunäiteid ja nippe oma Dirt Devili toote kohta.

TÖRKEOTSING

Mõni lisatarvik on puudu

Kontrollige karbi sisu (joonis **2**).

Miks ei ole varstolmuimejal toidet?

■ Varstolmuimeja võib vajada laadimist. Vaadake jaotist **Varstolmuimeja laadimine**.

■ Mootori termostaat on aktiveeritud. Tühjendage prahikonteiner ja kontrollige võimalikke ummistusi. Puhastage filtrid ja laske varstolmuimejal umbes üks tund jahtuda. Kui olete filtreid pesnud, siis laske neil 24 tundi täieliku kuivamiseni seista, enne kui need varstolmuimejasse tagasi panete.

Miks ei tõmba varstolmuimeja prahti sisse?

■ Prahikonteiner ei pruugi olla õigesti paigaldatud. Vaadake jaotist **Prahikonteineri eemaldamine ja tagasipanek**.

■ Prahikonteiner võib olla ummistunud. Kontrollige prahikonteinerit ja käepideme sisestusava ummistuste suhtes. Vaadake jaotist **Prahikonteineri tühjendamine**.

■ Filtrid võivad olla ummistunud. Vaadake jaotist **Filtri ja vahelehe puhastamine**.

■ Tekkinud võib olla ummistus. Vaadake jaotist **Ummistuste kontrollimine**.

■ Elektrilises otsakus olev hari pole aktiveerunud. Vaadake jaotist **Varstolmuimeja kasutamine**.

■ Elektriline otsak võib olla ummistunud. Vaadake jaotist **Elektrilise otsaku harja puhastamine ja tagasipanek**.

■ Varstolmuimeja, elektriline otsak ja pikendusvars ei pruugi olla õigesti paigaldatud. Vaadake jaotist **Lahtipakkimine ja kokkupanek**.

Miks põleb seadmel punane tuli?

■ Aku on tühjenemas (< 20%). Vaadake jaotist **Varstolmuimeja laadimine**.

Miks põleb elektrilisel otsakul punane tuli?

■ Elektrilise otsaku hari on kinni kiilunud. Vaadake jaotist **Elektrilise otsaku harja puhastamine ja tagasipanek**.

Miks elektriline otsak ei pöörle?

■ Elektrilises otsakus olev hari pole aktiveerunud. Vaadake jaotist **Varstolmuimeja kasutamine**.

■ Otsak/hari võib olla kinni kiilunud. Vaadake jaotist **Elektrilise otsaku harja puhastamine ja tagasipanek**.

■ Varstolmuimeja, elektriline otsak ja pikendusvars ei pruugi olla õigesti paigaldatud. Vaadake jaotist **Lahtipakkimine ja kokkupanek**.

■ Otsaku rihm võib olla katki. Vaadake jaotist **Elektrilise otsaku rihma eemaldamine ja tagasipanek**.

Enne kui võtate ühendust Dirt Devili klienditeenindusosakonnaga või saadate neile seadme, leiate rohkesti lisateavet meie veebisaidi hooldusjaotisest, mis aitab teil probleeme lahendada. www.dirtdevil.de/service

VARNOSTNE INFORMACIJE

O navodilih za uporabo

Pred uporabo naprave v celoti preberite ta navodila za uporabo. Hranite ta navodila za uporabo za referenco. Če boste napravo posredovali tretjim osebam, ji morate priložiti ta navodila za uporabo. Neupoštevanje teh navodil za uporabo lahko povzroči resne poškodbe ali škodo na napravi. Za škodo, nastalo zaradi neupoštevanja teh navodil za uporabo, ne prevzemamo odgovornosti. Pomembne informacije, ki niso vključene v to poglavje, so navedene kot sledi:



OPOZORILO: Opozarja o nevarnostih za zdravje in ugotavlja možna tveganja za poškodbe.



POZOR: Opozarja na možne nevarnosti za napravo in druge predmete.

OPOMBA Poudarja nasvete in informacije.

Splošna uporaba

Ta čistilnik preprog je namenjen zgolj za gospodinjstvo in NE za komercialno ali industrijsko uporabo.

- Čistilnik preprog uporabljajte samo v zaprtih prostorih na suhih površinah, območje čiščenja pa naj bo dobro osvetljeno.
- Ne sesajte trdih ali ostrih predmetov kot so steklo, žblji, vijaki, kovanci itd.
- Ne sesajte vročega oglja, cigaretnih ogorkov, vžgalic ali predmetov, ki gorijo ali se dimijo.
- Naprave ne uporabljajte na mokrem območju ali območju, kjer se morda nahajajo škodljive tekočine (klor, belilo in amoniakovo čistilo za odtok).

- Zamašitve ne poskušajte odstraniti z ostrimi predmeti, saj to lahko povzroči škodo vašemu čistilniku preprog.

- S tem čistilnikom preprog uporabljajte samo polnilec, orodja ali dodatke, ki jih priporoča Dirt Devil, in pred uporabo vedno preverite, da nastavek za sesanje in dodatki niso poškodovani ter ne vsebujejo umazanije in drobnih delcev.

- Čistilnik preprog pred izvajanjem kakršnega koli vzdrževanja vedno izklopite ali odklopite iz polnilca. Prosimo, da za pregled potrebnih varnostnih ukrepov gledate ustrezen razdelek v teh navodilih za uporabo.

- Pred uporabo vašega čistilnika preprog se vedno prepričajte, da so separator in filtri pravilno nameščeni.

- Vse odprtine naj bodo čiste in brez delcev, saj lahko to vpliva na pretok zraka/sesanje.

- Še zlasti bodite pozorni, ko čistilnik preprog uporabljate na stopnicah.



OPOZORILO: Čistilnik preprog pred vzdrževalnimi deli ali odpravljanjem napak vedno izključite ter ga izklopite iz polnilca.



POZOR: Da bi se izognili blokiranju zračnega pretoka skozi sesalnik, posode za smeti ne smete prekomerno napolniti. Da boste dosegli najboljši učinek čiščenja, po vsaki uporabi spraznite posodo za smeti. Filtre otresite nad smetnjakom vsakih 4-6 uporab, da boste odstranili umazanijo in drobne delce, in jih umijte vsake 3 mesece. Odvisno od stopnje uporabe je treba filtre zamenjati vsakih 6-9 mesecev.

Varnost

- Ta čistilnik preprog lahko uporabljajo otroci, starejši od 8 let, in osebe z zmanjšanimi fizičnimi, čutilnimi ali mentalnimi zmožnostmi ali osebe brez izkušenj ali znanja, če so pravilno nadzorovane ali če so prejele navodila o varni uporabi čistilnika preprog in razumejo tveganje, ki ga s tem prevzemajo. Otroci se ne smejo igrati s čistilnikom preprog. Otroci ne smejo čistiti in vzdrževati napravo brez nadzora.
- Prste, lase in ohlapna oblačila med uporabo čistilnika preprog držite stran od premičnih delov in odprtih.
- Čistilnika preprog ne uporabljajte, če je padel na tla ali v vodo, je poškodovan ali ste ga pustili na prostem.
- Ne dotikajte se napajalnega vtiča in ne uporabljajte čistilnika preprog z mokrimi rokami.
- Ne uporabljajte polnilca čistilnika naprav, če sta napajalni kabel ali vtič poškodovana.
- Čistilnika preprog ne izklaplajte tako, da povlečete napajalni kabel.

Napajanje

- Čistilnika preprog ne polnite na prostem in polnilec ne puščajte priključenega na omrežno napetost, ko ni v uporabi.
- Čistilnika preprog ne uporabljajte z neprimernim polnilcem, saj to lahko povzroči škodo ali poškoduje uporabnika. Pravilni podatki o polnilcu so navedeni na tipski ploščici.
- Vedno uporabljajte polnilec, ki je dobavljen skupaj s čistilnikom preprog. Če čistilnik preprog polnite preko podaljška, uporabite samo 13-amporne podaljške s CE oznako; neodobreni podaljški se lahko pregrejejo. Previdno razporedite podaljšek, saj obstaja nevarnost spotikanja.

Krtača



OPOZORILO: Ko je krtača v električni glavi vključena, se stalno vrti. Električne glave nikoli ne uporabljajte dlje časa na enem mestu, saj krtača lahko poškoduje talno površino. Ko čistite trda tla, krtačo električne glave vedno izključite. Da bi preprečili škodo, napravo najprej preizkusite na neopaznem mestu na tleh.



POZOR: Če je krtača v električni glavi ovirana, se je morda aktiviral zaščitni senzor za motor krtače. Krtača bo nehala delovati in luč na električni glavi bo zasijala rdeče. Za ponastavitev izklopite krtačo in čistilnik preprog, električno glavo odstranite iz sesalne palice/držala in odstranite vse ovire. Preden ponovno namestite električno glavo, počakajte 1 minuto, vklopite čistilnik preprog in pritisnite na gumb za VKLOP/IZKLOP krtače (ON/OFF).

Shranjevanje

- Čistilnik preprog hranite na suhem, hladnem mestu. Če ste filtre očistili v skladu z navodili za uporabo, se pred shranjevanjem prepričajte, da so popolnoma suhi. Ta čistilnik preprog ne stoji samostojno brez stalne podpore. Med uporabami ga odložite na tla na primerno mesto, kjer ne bo predstavljal nevarnosti spotika in nanj ne bo mogoče stopiti.

Baterije in odlaganje



POZOR: Baterija, ki jo uporablja ta naprava, lahko predstavlja tveganje požara ali kemične opekline, če se jo uporablja nepravilno. Naprave ne razstavljajte ali segrevajte nad najvišjo temperaturno mejo proizvajalca (60 °C/140 °F) in je ne sežigajte. Uporaba druge baterije lahko predstavlja tveganje požara ali eksplozije.

- Preden zavržete baterijo, jo morate vzeti iz naprave, uporabljeno baterijo pa morate zavreči varno in nemudoma. Hranite izven dosega otrok. Pred odlaganjem baterije zaščitite izpostavljene terminale z močnim izolirnim trakom, da boste preprečili kratek stik. Baterijo morate varno odložiti v vašem lokalnem centru za recikliranje baterij.
- Ne poskušajte razstavljati baterije, odstranjevati katerih koli sestavnih delov, ki štrlijo iz terminalov baterije, in je ne odstranjujte med požarom. Baterija in polnilec ne vsebujeta za uporabnika uporabnih delov. Lahko pride do požara ali poškodb.
- Preden uporabite napravo ali iz nje odstranite baterijo, ki jo boste zavrgli, mora biti naprava izklopljena iz omrežnega napajanja. V primeru puščanja baterije se izogibajte stiku s kožo in pokličite +800 2672 6677.

PROSIMO, DA NAVODILA HRANITE ZA POZNEJŠO UPORABO

Hvala!

Veseli nas, da ste se odločili za nakup izdelka Dirt Devil. Upamo, da boste uživali v uporabi vaše naprave in se vam zahvaljujemo za vaš nakup.

Več informacij o vašem izdelku boste našli v teh navodilih za uporabo in na naši spletni strani www.dirtdevil.de. Če želite stopiti v stik z našim servisnim oddelkom Dirt Devil, glejte kontaktne podatke na 2. strani.

Tehnični podatki

Vrsta naprave	Brezžični vakuumski sesalnik
Model	DD778, DD778 (-0/.../-9)
Polnilna baterija	Li-ion 32 V
maks. trajanje obratovanja	pribl. 45 min
maks. trajanje polnjenja	pribl. 4 ure
Omrežni adapter	Vhod: 100 – 240 V ~, 1 A Izhod: 34 V, 600 mA
Kapaciteta zbiralnika prahu	0,3 l maks. kapaciteta polnjenja, 0,6 l maks. zgornja meja
Moč	234 W
Teža	3,1 kg

Varstvo okolja in odstranjevanje

Če želite zavreči napravo, najprej odstranite polnilno baterijo, nato pa ločeno odstranite polnilno baterijo in napravo.



Naprave, polnilne baterije ali omrežnega adapterja ne odstranjujte skupaj z gospodinjskimi odpadki.



Napravo, polnilno baterijo in omrežni adapter odstranite ločeno v primerna zbirna mesta.

Li-ion

Garancija

Če ste kupili napravo kot potrošnik znotraj Evropske unije, potem kot minimalni garancijski standard velja zavezna nacionalna zakonodaja, ki se izvaja v skladu z Direktivo EU 2011/83/EU. V državah zunaj EU veljajo minimalne garancijske zahteve zadevne države. To ne velja za baterije ali polnilne baterije, ki so okvarjene ali imajo krajšo življenjsko dobo zaradi običajne obrabe ali nepravilnega rokovanja.



Pridržujemo si pravico do spreminjanja tehničnih ali oblikovnih specifikacij v interesu nenehnega izboljševanja izdelka.

© Royal Appliance International GmbH

SPOZNAJTE SVOJO NAPRAVO

Slika 1

- A. Nosilni ročaj
- B. Posoda za smeti
- C. Tipka za izločanje smeti
- D. Pokrov filtra in filter
- E. Zapah za sproščanje posode za smeti
- F. Luč indikatorja napolnjenosti baterije
- G. Tipka za povečanje sesalne moči
- H. Tipka za VKLOP/IZKLOP krtače (ON/OFF)
- I. Tipka za VKLOP/IZKLOP (ON/OFF)
- J. Vhod za polnjenje
- K. Sesalna palica
- L. Električna glava
- M. Krtača
- N. Polnilec
- O. Pritrjevalo za steno, 2 vijaka in zidni vložki
- P. Shranjevalnik za nastavek

Kazalo slik 2

- A. Nastavek
- B. Metlica za prah

Odpiranje embalaže in montaža

1. Razpakirajte vsebino in se prepričajte, da je kompletna. (Slika 1 in 2).
2. Namestite sesalno palico in električno glavo na držalo. Ko bosta na svojem mestu, bosta kliknili (slika 3).
3. Potisnite shranjevalnik za nastavke na dno sesalne palice in vstavite orodje na mesto (slika 4).

Namestitev pritrjevala za steno

1. Potisnite zidni nosilec na zgornjo in spodnjo stran sesalne palice, brez da bi bilo držalo pritrjeno na palico in električno glavo. (slika 5/1).
2. Izberite mesto, kjer boste hranili čistilnik preprog, po možnosti v bližini omrežnega napajanja, vendar ne neposredno pod ali nad omrežno vtičnico. Postavite električno glavo

- čistilnika preprog in sesalno palico ob steno in se prepričajte, da električna glava stoji ravno na tleh.
3. Medtem ko držite zidni nosilec varno ob steno, s svinčnikom naredite majhno oznako za posamezen vijak. (Slika 5/2) Uporabite vijake in zidne vložke, da pritrдите zidni nosilec v steno.
4. Napajalni kabel in metlico za prah lahko pritrдите na zidni nosilec (slika 6).
5. Sestavite čistilnik preprog in ga trdno potisnite v zidni nosilec, da bo čistilnik preprog varno nameščen. Vedno se prepričajte, da je čistilnik preprog varno na mestu.

Polnjenje čistilnika preprog

OPOMBA Prvo polnjenje traja 4 ure in pred prvo uporabo je polnjenje potrebno. Nepopolno polnjenje baterije pred prvo uporabo lahko povzroči slabo delovanje baterije. Življenjska doba baterije bo odvisna od uporabe čistilnika preprog.

1. Za polnjenje čistilnika preprog ga varno nataknite v zidni nosilec. Prav tako ga lahko polnite tudi kot držalo; snemite čistilnik preprog iz držala in orodij in ga položite na ravno, stabilno površino.
2. Vstavite vstavek polnilca v vhod za polnjenje (slika 1/J), ki se nahaja na nosilnem ročaju držala in priključite napajalni vtič v napetostno omrežje.
3. Medtem, ko se bo polnila baterija, bodo ena za drugo zasvetile luči indikatorja napolnjenosti baterije, dokler ne bodo svetile vse štiri luči (slika 7/1 in 7/2) Ko bo naprava popolnoma napolnjena, se bodo luči ugasnile. Prvo polnjenje baterije traja 4 ure.
4. Ko je čistilnik preprog v uporabi, zasvetijo luči indikatorja napolnjenosti baterije, ki označujejo, koliko baterije je preostalo. Ko ostane manj kot 20 % baterije, zasveti rdeče spodnja luč, ki

označuje, da je baterija skoraj prazna ter da je potrebno polnjenje (slika 7/3).

Uporaba čistilnika preprog

1. Postavite nogo na električno glavo (slika 8/1) in potegnite ročaj nazaj, da se bo nagnil (slika 8/2).



OPOZORILO: Ko je krtača v električni glavi vključena, se stalno vrti. Električne glave nikoli ne uporabljajte dlje časa na enem mestu, saj krtača lahko poškoduje talno površino. Ko čistite trda tla, vedno izključite krtačo električne glave. Da bi preprečili nastanek škode, napravo najprej preizkusite na neopaznem mestu na tleh.



POZOR: Če je krtača v električni glavi ovirana, se je morda aktiviral senzor za zaščito motorja krtače. Krtača bo nehala delovati in luč na električni glavi bo zasijala rdeče (slika 18). Za ponastavitev izklopite krtačo in čistilnik preprog, iz sesalne palice/držala odstranite električno glavo in odstranite morebitno oviro. Preden boste ponovno namestili električno glavo, počakajte 1 minuto, nato vklopite čistilnik preprog in pritisnite na gumb za VKLOP/IZKLOP krtače (ON/OFF).

2. Za vklop čistilnika preprog pritisnite tipko ON/OFF, ki se nahaja na ročaju. (Slika 9/1) Tipka On/Off in luči indikatorja napolnjenosti baterije bodo zasvetile (slika 7/2).

3. Če želite povečati moč sesanja za zlasti umazana območja, ki potrebujejo dodatno čiščenje, lahko aktivirate način povečane sesalne moči (slika 9/3).

4. Za vklop krtače pritisnite tipko ON/OFF na krtači (slika 9/2). Ko je krtača vklopljena, svetita luč na električni glavi in luč ON/OFF na krtači, krtača pa se

bo stalno vrtela. Za izklop krtače ponovno pritisnite tipko ON/OFF.

OPOMBA: Krtača električne glave naj bo VKLOPLJENA (ON) za uporabo na preprogah in IZKLOPLJENA (OFF) za uporabo na trdih tleh. Stalna uporaba krtače in načina povečane sesalne moči bo zmanjšala trajanje delovanja baterije.

5. Vse dodatke, vključno z električno glavo, lahko namestite neposredno na držalo (slika 10) ali na sesalno palico. Nastavek in metlica za prah se lahko uporabljata za težko dosegljiva mesta in na različnih višinah, ko z napravo čistimo nad tlemi.

VZDRŽEVANJE ČISTILNIKA PREPROG



OPOZORILO: Čistilnik preprog pred izvajanjem vzdrževalnih del ali odpravljanjem napak vedno izključite ter ga izklopite iz polnilca.

Odstranjevanje in ponovna namestitvev posode za smeti

1. Če želite sprostiti posodo za smeti, potisnite zapah na posodi navzdol (slika 11/1) ter zavrtite in dvignite posodo, da jo boste odstranili iz čistilnika preproge (slika 11/2).



OPOMBA: Če ste zaradi čiščenja odstranili pokrov posode za smeti s separatorjem, se pred ponovno namestitvijo prepričajte, da je bil separator ponovno nameščen ter da se je pokrov zaskočil (slika 13/1).

2. Za ponovno namestitev posode za smeti poravnajte priključek posode z ročajem čistilnika preproge. (Slika 12/1) Pritisnite zapah za sprostitvev posode za smeti (slika 12/2) in potisnite posodo za smeti na čistilnik preprog.

Sprostite zapah posode za smeti, da boste zaklenili posodo na mestu.

3. Ko bo posoda pravilno nameščena, bodo vse 3 priključne točke poravnane in izravnane (slika 13).

Praznjenje posode za smeti

1. Če želite sprostiti posodo za smeti, potisnite zapah na posodi navzdol (slika 11/1) ter zavrtite in dvignite posodo, da jo boste odstranili iz čistilnika preproge (slika 11/2).

2. Držite posodo nad smetnjakom in pritisnite tipko za izločanje smeti, da boste sprostili umazanijo in drobne delce. (slika 14/1 & 2).

3. Če želite zapreti posodo, pritisnite vrata za izločanje smeti, da se zaskočijo. (slika 14/3).



POZOR: Da bi se izognili blokiranju zračnega pretoka skozi sesalnik, posode za smeti ne pustite preveč napolnjene. Da bi dosegli najboljši učinek čiščenja, spraznite posodo za smeti po vsaki uporabi. Filtre otesite nad smetnjakom vsakih 4-6 uporab, da boste odstranili umazanijo in drobne delce, in jih umijte vsake 3 mesece. Odvisno od ravni uporabe je treba filter zamenjati vsakih 6-9 mesecev.

Čiščenje filtra in separatorja

1. Spraznite posodo za smeti (slika 14).

2. Dvignite jeziček na pokrovu posode za smeti (slika 15/1 & 2). Odstranite pokrov filtra in separator iz posode za smeti (slika 15/3).

3. Stresite separator ob rob smetnjaka, da boste odstranili umazanijo in drobne delce, ter s suho krpo obrišite kovinsko zaščitno ohišje (slika 16/1).

4. Potegnite jeziček na filtru posode za smeti da boste odstranili separator (slika 16/2). Stresite filter ob rob smetnjaka, da boste odstranili umazanijo in drobne delce (slika 16/3).

5. Sperite filter pod tekočo vodo (maks. 40 °C) (slika 17). Pred menjavo pustite filter stati vsaj 24 ur oz. dokler ni popolnoma suh.

Čiščenje in menjava krtače električne glave

1. S kovancem potisnite in zavrtite zaklep krtače v nasprotni smeri urinega kazalca, da sprostite krtačo (slika 19/1).

2. Povlecite krtačo iz ohišja krtače (slika 20/1).

3. Če želite odstraniti vlakna ali lase, spustite rezilo škarij v zarezo krtače in režite vzdolž zareze. Iz navojev odstranite umazanijo/ drobne delce (slika 21).

4. Ponovno namestite krtačo (slika 20/2) in obrnite zaklep krtače v smer urinega kazalca, da se bo zaklenila (Fig. 19/2).

Odstranjevanje in menjava traku električne glave

1. S križnim izvijačem odvijte 3 vijake in odstranite pokrov (slika 22/1).

2. Če je jermen okvarjen, odstranite star jermen in očistite drobne delce iz zobatega kolesa. Če želite zamenjati jermen, ga najprej natakните na majhno zobato kolo. Potisnite jermen čez vrh velikega zobatega kolesa ter ga zavrtite skupaj z zobatim kolom v nasprotni smeri urinega kazalca. Med vrtenjem bo jermen zdrsnil na zobato kolo (slika 22/2).

3. Ponovno namestite pokrov jermena in privijte vijake.

Preverjanje zamašitev

1. Pritisnite gumb za sproščanje držala in odstranite sesalno palico. Preverite in odstranite umazanijo in drobne delce iz priključne točke držala in odprtine za smetnjak. (slika **23**/1).
2. Preverite, če je električna glava zamašena, in s topim predmetom sprostite morebitno zamašitev. (Slika **23**/2).
3. Če želite preveriti, ali je sesalna palica zamašena, spustite skozi majhno papirnato kroglico. Če je sesalna palica čista, bo kroglica padla skozi. Z ročajem metle ali podobnim topim predmetom odstranite morebitno zamašitev (slika **23**/3).

DODATKI IN NADOMESTNI DELI

Obiščite nas na spletni strani:

www.dirtdevil.de

Na naši spletni strani so na voljo velika izbira nadomestnih delov in pribora ter praktični nasveti in namigi za vašo napravo Dirt Devil.

ODPRAVLJANJE NAPAK

Manjka dodatek

Preverite vsebino (slika **2**).

Zakaj čistilnik preprog nima napajanja?

- Čistilnik preprog je morda treba napolniti. Glejte **Polnjenje čistilnika preprog**.
- Morda se je sprožil termostat na motorju. Spraznite posodo za smeti in preverite, ali je zamašena. Očistite filtre in pustite čistilnik preprog, da se ohlaja približno 1 uro. Če ste umili filtre, počakajte 24 ur, da se popolnoma posušijo, preden jih namestite nazaj na čistilnik preprog.

Zakaj čistilnik preprog ne pobira umazanije?

- Posoda za smeti morda ni pravilno nameščena. Pojdite na **Odstranjevanje in ponovna namestitev posode za smeti**.
- Morda je zamašena posoda za smeti. Preverite, ali sta zamašeni posoda za smeti in ročna odprtina. Glejte **Praznjenje posode za smeti**.
- Filtri so morda zamašili. Glejte **Čiščenje filtra in separatorja**.
- Morda je prisotna zamašitev. Glejte **Preverjanje zamašitev**.
- Krtača na električni glavi ni bila aktivirana. Glejte **Uporaba čistilnika preprog**.
- Morda je zamašena električna glava. Glejte **Čiščenje in menjava krtače električne glave**.
- Čistilnik preprog, električna glava ali sesalna palica morda niso pravilno nameščeni. Glejte **Odpiranje embalaže in montaža**.

Zakaj na enoti sveti rdeča luč?

- Napajanje baterije slabi (< 20%). Glejte **Polnjenje čistilnika preprog**.

Zakaj na električni glavi sveti rdeča luč?

- Krtača električne glave je ovirana. Glejte **Čiščenje in menjava krtače električne glave**.

Zakaj se električna glava noče vklopiti?

- Krtača na električni glavi ni bila aktivirana. Glejte **Uporaba čistilnika preprog**.
- Nastavek/krtača sta morda ovirana. Glejte **Čiščenje in menjava krtače električne glave**.
- Čistilnik preprog, električna glava ali sesalna palica morda niso pravilno nameščeni. Glejte **Odpiranje embalaže in montaža**.
- Morda je okvarjen jermen na nastavku. Glejte **Odstranjevanje in menjava traku električne glave**.

Preden stopite v stik z našo službo za pomoč strankam Dirt Devil ali napravo pošljete naši službi za pomoč strankam Dirt Devil, lahko veliko dodatnih informacij prejmete v servisnem razdelku na naši spletni strani, s pomočjo katere boste lahko rešili težave.

www.dirtdevil.de/service