



BORN INNOVATIVE

# HOOVER

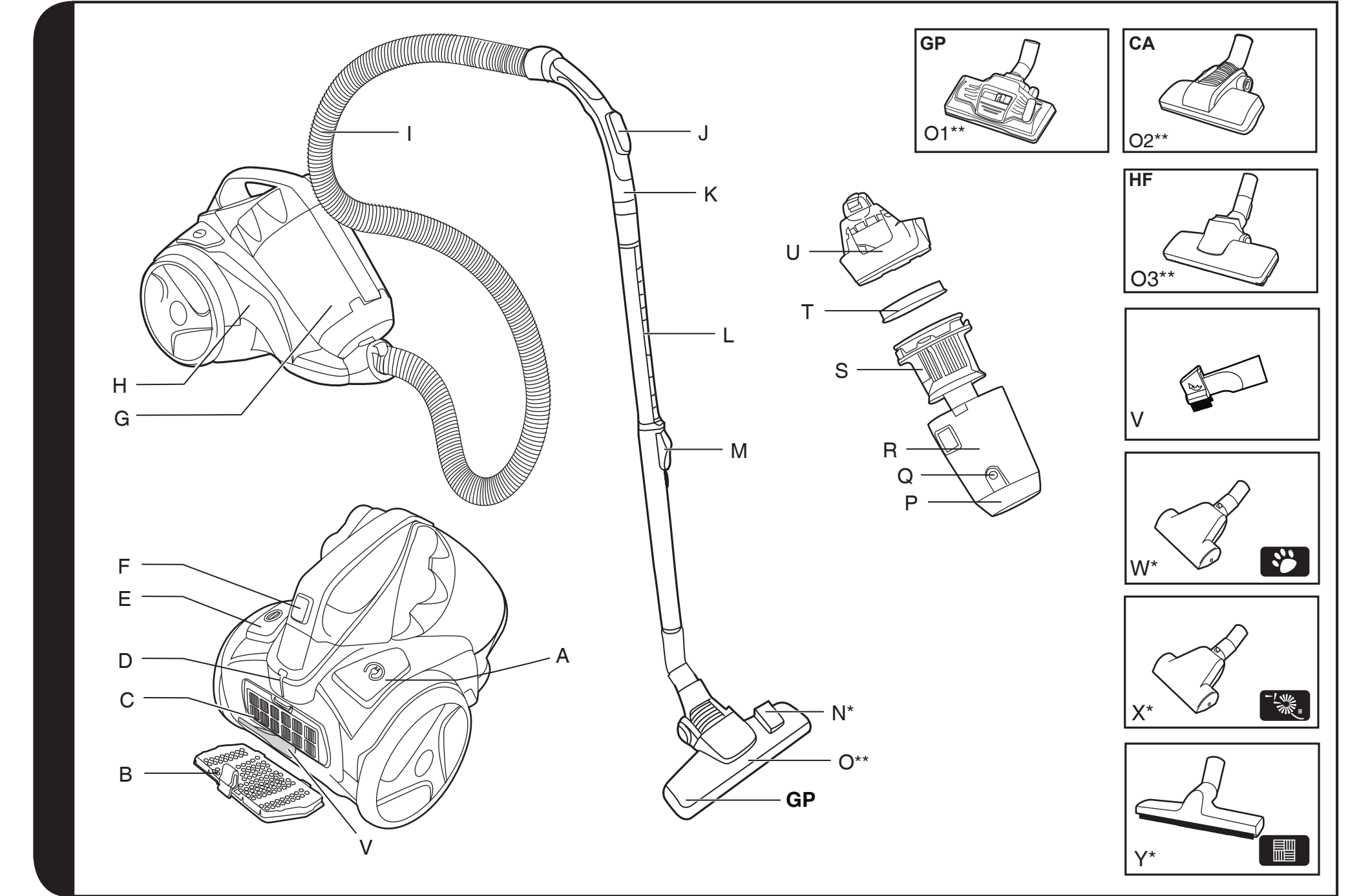


USER MANUAL (GB) .....P 01  
 MANUEL D'UTILISATION (FR) .....P 04  
 BEDIENUNGSANLEITUNG (DE) .....P 08  
 MANUALE ISTRUZIONI (IT) .....P 11  
 MANUAL DE INSTRUCCIONES (ES) .....P 15  
 BRUGERVEJLEDNING (DK) .....P 22  
 BRUKSANVISNING (NO) .....P 25  
 INSTRUKTIONSMANUAL (SE) .....P 29  
 KÄYTTÖOHJE (FI) .....P 32  
 ΟΔΗΓΙΕΣ ΧΡΗΣΕΩΣ (GR) .....P 36  
 INSTRUKCJA OBSŁUGI (PL) .....P 39  
 NÁVOD K OBSLUZE (CZ) .....P 43  
 UŽÍVATEĽSKÁ PRÍRUČKA (SK) .....P 46  
 KULLANIM KILAVUZU (TR) .....P 50  
 HASZNÁLATI ÚTMUTATÓ (HU) .....P 53



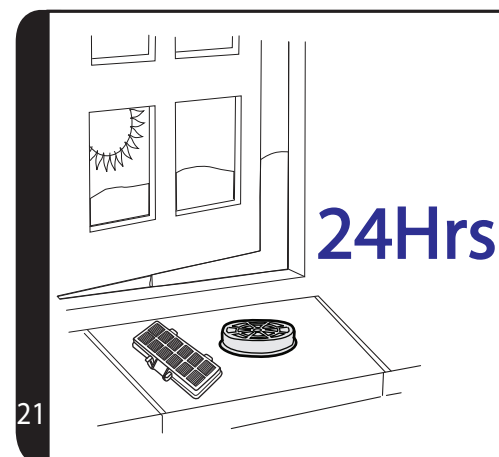
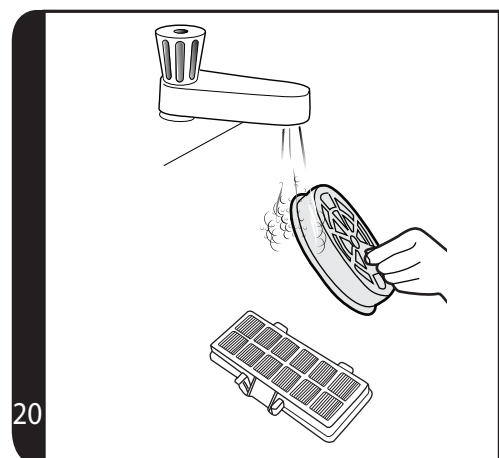
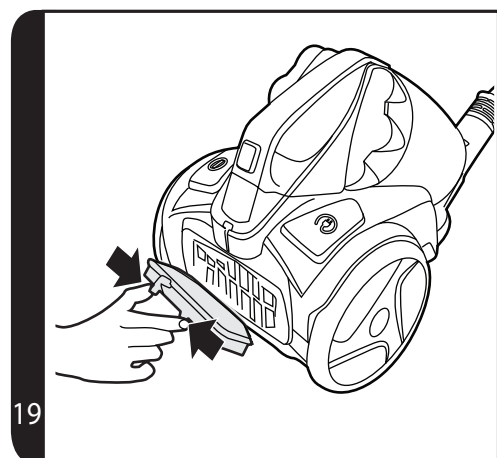
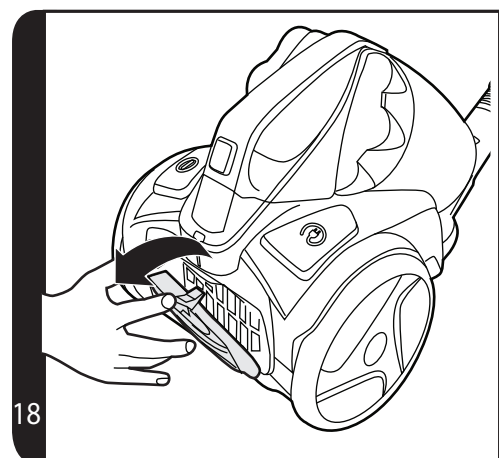
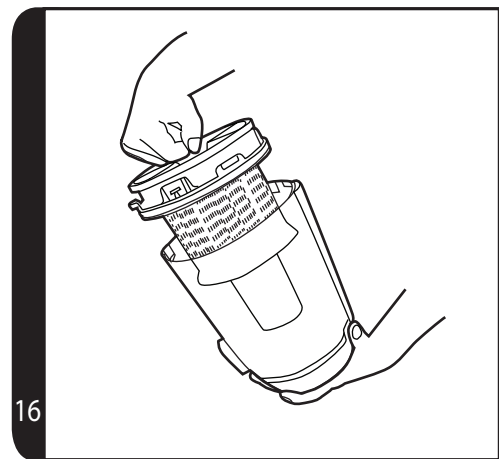
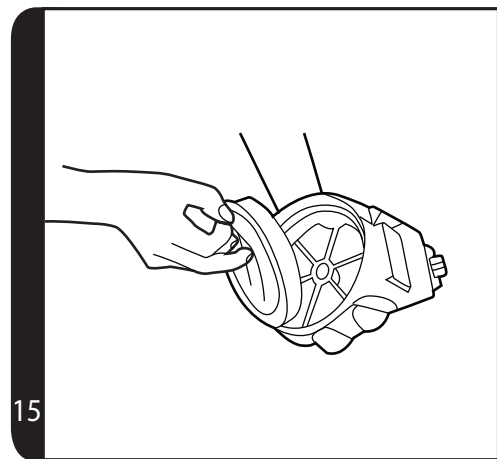
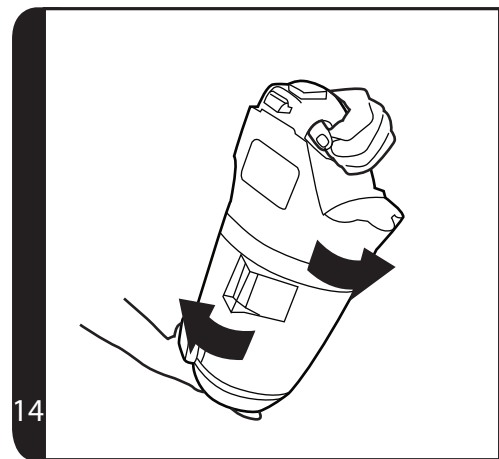
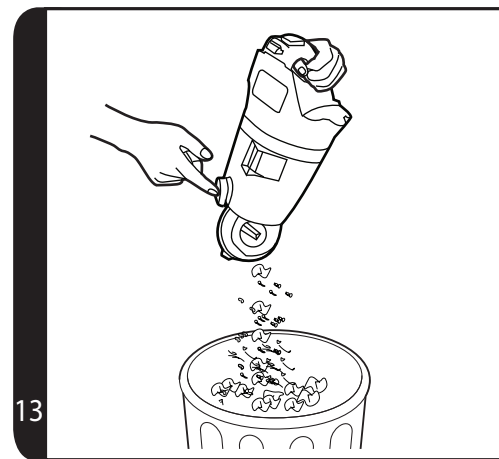
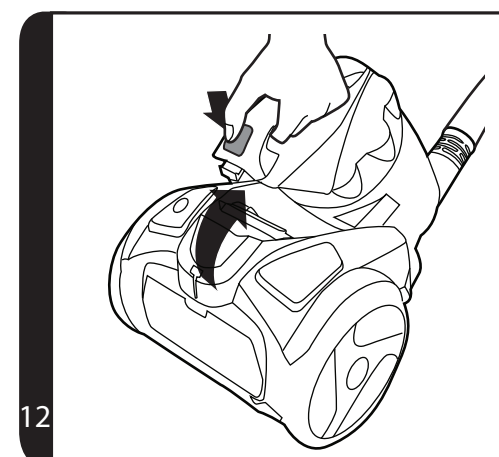
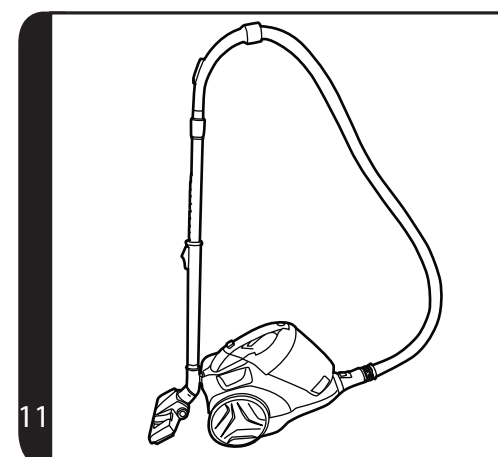
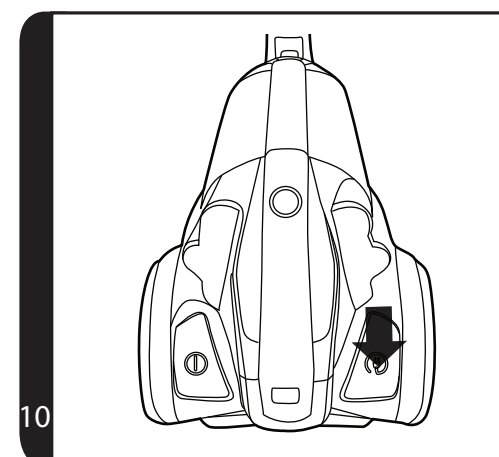
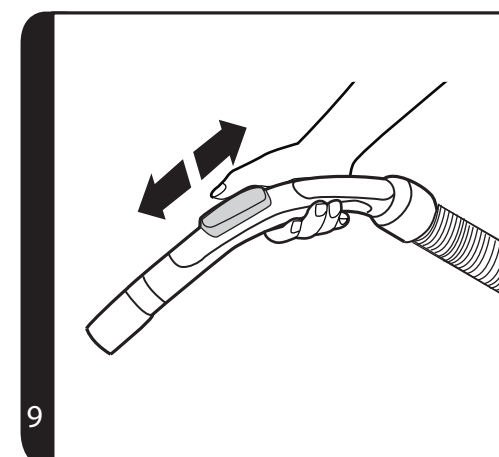
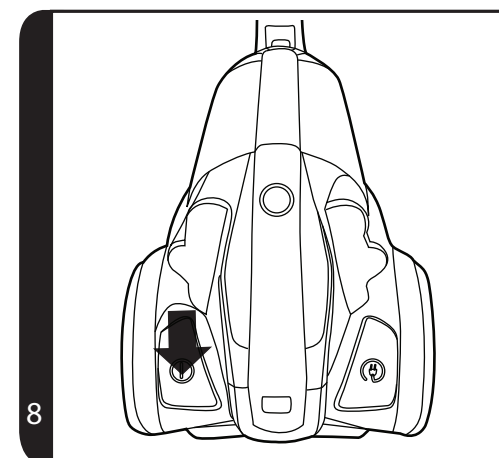
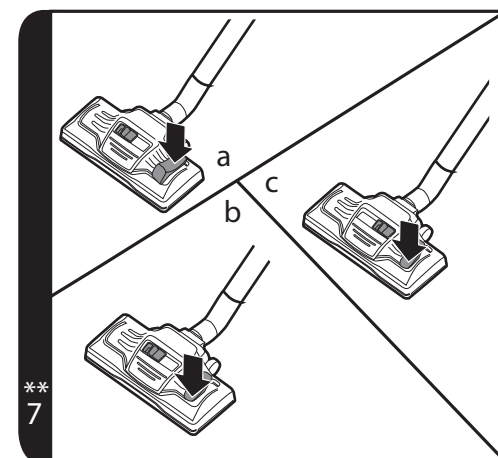
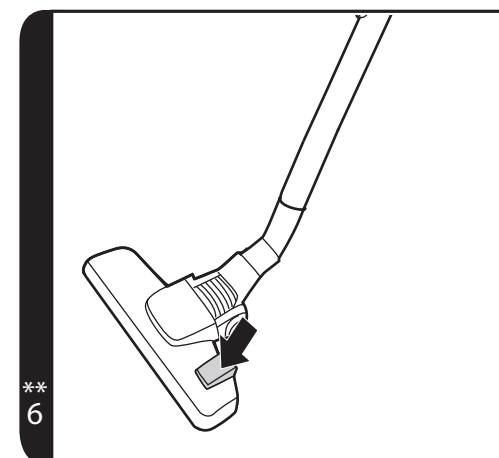
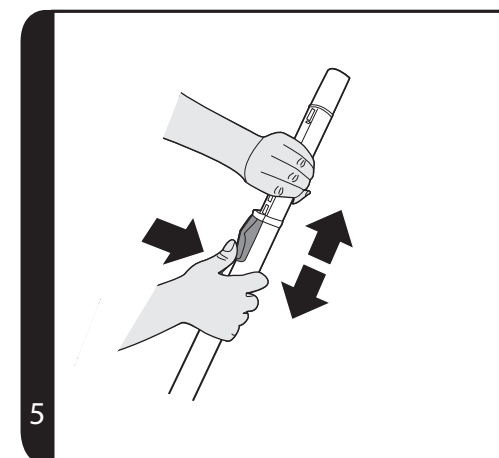
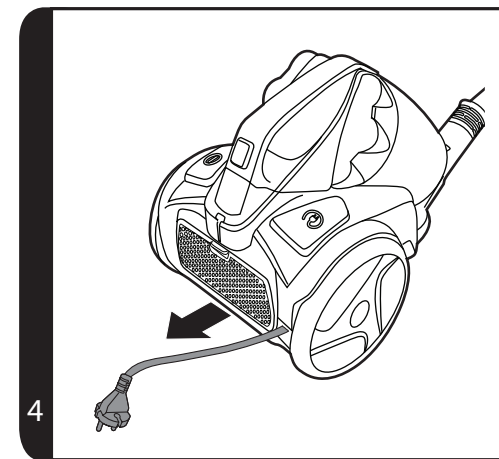
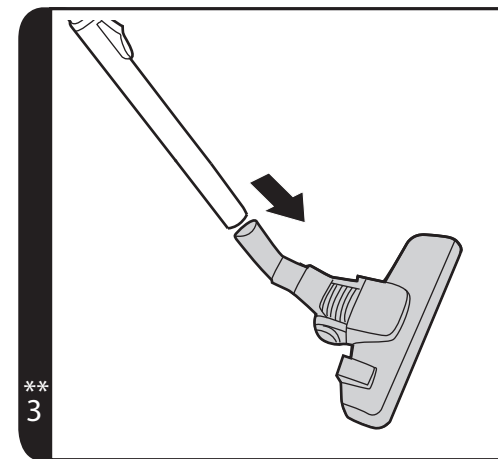
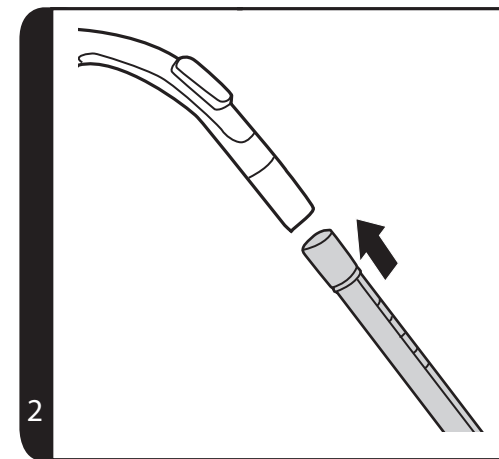
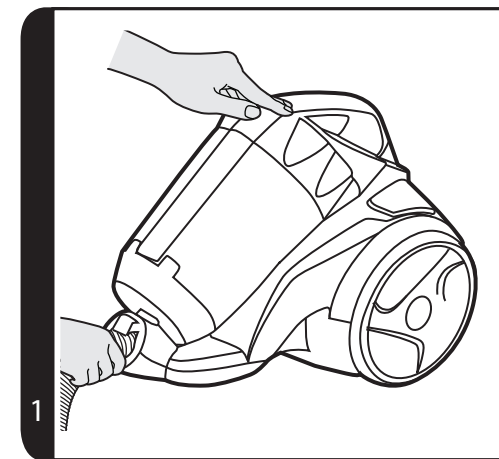
BORN INNOVATIVE

PRINTED IN P.R.C.  
48022388



\* Certain models only

\*\* Certain models only, nozzles may vary according to model



## INSTRUCTIONS FOR SAFE USE

This appliance should only be used for domestic cleaning, as described in this user guide. Please ensure that this guide is fully understood before operating the appliance.

Do not leave the appliance plugged in. Always switch off and remove the plug from the socket after use, or before cleaning the appliance or any maintenance task.

This appliance can be used by children aged from 8 years and above and persons with reduced physical, sensory or mental capabilities or lack of experience and knowledge if they have been given supervision or instruction concerning use of the appliance in a safe way and understand the hazards involved. Children shall not play with the appliance. Cleaning and user maintenance shall not be made by children without supervision.

If the power cord is damaged stop using the appliance immediately. To avoid a safety hazard, an authorised HOOVER service engineer must replace the power cord.

Keep hands, feet, loose clothing and hair away from rotating brushes.

Use only attachments, consumables or spares recommended or supplied by HOOVER.

**Static electricity:** Some carpets can cause a small build up of static electricity. Any static discharge is not hazardous to health.

Do not use your appliance out of doors or on any wet surface or for wet pick up.

Do not pick up hard or sharp objects, matches, hot ashes, cigarette ends or other similar items.

Do not spray with or pick up flammable liquids, cleaning fluids, aerosols or their vapours.

Do not run over the power cord when using your appliance or remove the plug by pulling on the power cord.

Do not continue to use your appliance if it appears faulty.

**HOOVER service:** To ensure the continued safe and efficient operation of this appliance we recommend that any servicing or repairs are only carried out by an authorised HOOVER service engineer.

Do not stand on or wrap the cord around arms or legs when using your appliance.

Do not use the appliance to clean animals or people.

Do not position the appliance above you when cleaning the stairs.

### The Environment

The symbol on this appliance indicates that this appliance may not be treated as household waste. Instead it must be handed over to the applicable collection point for the recycling of electrical and electronic equipment. Disposal must be carried out in accordance with local environmental regulations for waste disposal. For more detailed information about treatment, recovery and recycling of this appliance, please contact your local city office, your household and waste disposal service or the shop where you purchased the appliance.



**CE** This appliance complies with the European Directives 2014/35/EU, 2014/30/EU and 2011/65/EU.

CANDY HOOVER GROUP S.r.l. Via Privata Eden Fumagalli, 20861 Brugherio (MB) Italy

## GETTING TO KNOW YOUR CLEANER

- A. Cord Reel Pedal
- B. Exhaust Filter Cover
- C. Exhaust Filter
- D. Parking Slot
- E. On/Off Pedal
- F. Dust Bin Release Button
- G. Dust Container Assembly
- H. Main Body
- I. Hose
- J. Suction Regulator
- K. Hose Handle
- L. Telescopic Tube
- M. Telescopic Tube Adjuster
- N. Floor Type Selector Pedal\*
- O. & O1. Carpet and Floor Nozzle (GP)\*\*
- O2. Carpet Nozzle (CA)\*\*
- O3. Hard Floor Nozzle (HF)\*\*
- P. Dust container flap
- Q. Dust container flap release button
- R. Dust Container
- S. Multi-cyclone separation unit
- T. Pre-motor filter
- U. Dust container cover
- V. 2 in 1 Accessory
- W. Pet Hair Remover Mini Turbo Nozzle\*
- X. Allergen Remover Mini Turbo Nozzle\*
- Y. Parquet Nozzle\*

## ASSEMBLING YOUR CLEANER

Remove all components from the packaging.

1. Connect the hose to the cleaner main body, ensuring it clips and locks into position. To release: simply press the button on the hose end and pull. [1]
2. Connect the hose handle to the upper end of the extension tube [2], or accessories if required.
3. Connect the lower end of the extension tube to the Carpet & Floor nozzle\*\* [3] or accessories if required.

## USING YOUR CLEANER

1. Extract power cord and plug it into the power supply. Do not pull the cord beyond the red marker. [4]
2. Adjust the telescopic tube to the desired height by moving the telescopic tube adjuster up and raise or lower the handle to the most comfortable cleaning position. [5]

\*Certain Models Only

\*\* Certain models only, nozzles may vary according to model

3. Carpet and Floor Nozzle\*\* - Press the floor type selector on the nozzle [6] to select the ideal cleaning mode for the floor type.

**Hard Floor** – Brushes are lowered to protect the floor.

**Carpet** – Brushes are raised for deeper cleaning.

### Carpet & Floor Nozzle\*\*: [7]

- **Hard floors Cleaning:** Press the pedal on the nozzle on Hard Floor mode and adjust the slider on the nozzle on ALL FLOORS. In this position brushes, wheels and wiper blade are lowered to protect hard floors. [7a]
  - **Standard Carpet & Rugs Cleaning:** Press the pedal on the nozzle on Carpet mode and adjust the slider on the nozzle on ALL FLOORS. In this position brushes and wiper blade are raised while wheels are lowered to allow a perfect ease of movement on such surfaces. [7b]
  - **Deep Carpet Cleaning:** Press the pedal on the nozzle on Carpet mode and adjust the slider on the nozzle on DEEP CARPET CLEANING. In this position brushes, wheels and wiper blade are raised for a deeper cleaning of your carpet. [7c]
- WARNING: It is recommended to avoid potential scratching of wooden floors that the pedal is not set on hard floor mode and the slider on deep carpet cleaning.**
4. Switch the cleaner on by pressing the on/off Pedal on the cleaner main body. [8]
  5. Adjust the suction regulator on the handle to the desired level. [9]
  6. Switch off at the end of use by pressing the on/off Pedal. Unplug and press the cord reel pedal to wind the power cord back into the cleaner. [10]

## PARKING AND STORAGE SECTION

The tube and the nozzle can be parked on the back of the cleaner for storage or temporary storage while in use. [11]

## ACCESSORIES AND NOZZLES

To obtain the best performance and energy efficiency #1 it is recommended that the correct nozzles are used for the main cleaning operations. These nozzles are indicated in the diagrams by the letters **GP**, **HF** or **CA**.

A nozzle type **GP** can be used to clean both carpet and hard floor.

A nozzle type **HF** is suitable for use only on hard floor.

A nozzle of type **CA** is suitable for use only on carpet.

The other nozzles are accessories for specialist cleaning tasks and are recommended for occasional use only.

It is important to note that this vacuum cleaner is supplied with an Energy Label as required by European Regulation (EU) 665/2013.

If the label shows a red prohibition circle on the left covering the carpet symbol, then this indicates that the vacuum cleaner is not suitable use on carpets.

If the label shows a red prohibition circle on the right covering the hard floor symbol, then this indicates that the vacuum cleaner is not suitable for use on hard floors.

#1 **NOTE:** Dust pick up ability carpet, dust pick up ability hard floor, and energy efficiency in accord with Commission Regulations (EU) 665/2013 and (EU) 666/2013.

All accessories can be fitted to the end of the hose handle or to the end of the telescopic tube.

**2 in 1 tool** – Combines several functions into one tool: [V]

**Dusting Brush** – For bookshelves, frames, keyboards and other delicate areas.

**Crevice Tool** – For corners and hard to reach areas.

**Parquet Nozzle\*** – For parquet floors and other delicate floors. [Y]

**Pet Hair Remover Mini Turbo Nozzle\*** - Use the mini turbo nozzle on stairs or for deep cleaning on textile surfaces and other hard to clean areas. Particularly suitable for pet hairs removal. [W]

**Allergen Remover Mini Turbo Nozzle\*** – Use the mini turbo nozzle on stairs or for deep cleaning on textile surfaces and other hard to clean areas. Particularly suitable for allergen removal. [X]

**IMPORTANT:** Do not use the Mini Turbo nozzles on rugs with long fringes, animal hides and carpet pile deeper than 15mm. **Do not keep the nozzle stationary while the brush is rotating.**

## CLEANER MAINTENANCE

### Emptying the Dust Container

When the dust reaches the max level indicator in the container empty the dust container.

**IMPORTANT:** To maintain optimum performance do not allow the dust to sit higher than the max level.

1. Turn off the cleaner pressing on/off pedal and unplug the power cable. [8]
2. Press the dust container release button and remove the dust container assembly from the cleaner. [12]
3. Hold the dust container with one hand and press the dust container empty button to empty the dust. [13]
4. Close the dust container flap and refit to the main body.

### Cleaning the washable filters

The cleaner is fitted with pre-motor filter and exhaust filter. To maintain optimum cleaning performance, regularly remove the filters and tap against the side of the dust container to release dust. The filters should be washed every 5 cassette empties or when the filters have excessive dust level.

**IMPORTANT:** All bagless cleaners require regular filter cleaning. Failure to clean your filters may result in air blockage, overheating and product failure. This may invalidate your guarantee.

**IMPORTANT:** Regularly check and maintain the filters.

**IMPORTANT:** Always ensure the the filters are fully dry before use.

#### To access the pre-motor filter:

1. Remove the dust container from the cleaner by pressing the dust container release button. [12]
2. Hold the dust container with one hand and remove the dust container cover by rotating anti-clockwise with the other hand. [14]
3. Remove the pre-motor filter assembly from dust container assembly. [15]
4. Gently tap and wash the pre-motor filter. Do not use hot water or detergents. Remove excess water from the filter and leave to dry fully before re-using. [20,21]
5. Reassemble the pre-motor filter assembly once fully dry and refit to the cleaner.

\*Certain Models Only

\*\* Certain models only, nozzles may vary according to model

#### To access the exhaust filter:

1. Unclip the exhaust filter cover from the rear of the cleaner main body. [18]
2. Remove the exhaust filter from the rear of the cleaner. [19]
3. Gently tap and wash the filter using warm water. Do not use hot water or detergents. Remove excess water from the filter and leave to dry fully before re-using. [20,21]
4. Refit the exhaust filter to the rear of the cleaner once fully dry and refit the exhaust filter cover.

**IMPORTANT:** Do not use the product without the filter pack fitted.

### Cleaning the dust container / separation unit

This cleaner uses a separation system unique to Hoover. If necessary, the separation unit can be disassembled from the dust container and cleaned.

1. Press the dust container release button and remove the dust container assembly from the cleaner. [12]
2. Hold the dust container with one hand and remove the dust container cover by rotating anti-clockwise with the other hand. [14]
3. Remove pre-motor filter assembly from the dust container assembly. And then remove the multi-cyclone separation unit from the dust container by pulling it. [15,16]
4. If necessary, use a cloth to remove excessive dust from the multi-cyclone separation unit surface. [17]
5. If necessary rinse the dust container with lukewarm water. Wash internal surfaces of the dust container with water only. DO NOT use soap detergents to wash the internals of the dust container.
6. Reassemble the internal and the pre-motor filter to the dust container.
7. Reassemble the dust container cover to the dust container. Refit the dust container to the cleaner main body.

### Removing a blockage

1. Check if the dust container is full. If so refer to 'Emptying the dust container'.
2. If the dust container is empty but suction is still low:
  - A. Do the filters need cleaning? If so refer to 'Cleaning the washable filters'.
  - B. Check if there is any other blockage in the system - Use a rod or pole to remove any blockage from the extension tube or flexible hose.
  - C. Check if pre-motor filter is fitted.
  - D. Check if the separation unit needs to be cleaned. Refer to 'Cleaning the separation unit'.

## USER CHECKLIST

Should you have a problem with the product, complete this simple user checklist before calling your local Hoover service.

- Is there a working electricity supply to the cleaner? Please check with another electrical appliance.
- Is the dust container over-filled? Please refer to 'Cleaner Maintenance'.
- Is the filter blocked? Please refer to 'Cleaner Maintenance'.
- Is the hose or nozzle blocked? Please refer to 'Removing a blockage from the system'.
- Has the cleaner overheated? If so, it will take approximately 30 minutes to automatically reset.

## IMPORTANT INFORMATION

### Hoover spares and Consumables

Always replace parts with genuine Hoover spares. These are available from your local Hoover dealer or direct from Hoover. When ordering parts always quote your model number.

### Hoover Service

Should you require service at any time, please contact your local Hoover Service Office.

### Quality

Hoover's factories have been independently assessed for quality. Our products are made using a quality system which meets the requirements of ISO 9001.

### Your Guarantee

The guarantee conditions for this appliance are as defined by our representative in the country in which it is sold. Details regarding these conditions can be obtained from the dealer from whom the appliance was purchased. The bill of sale or receipt must be produced when making any claim under the terms of this guarantee.

Subject to change without notice.

## INSTRUCTIONS DE SÉCURITÉ D'UTILISATION

Cet appareil ne doit être utilisé que pour un nettoyage domestique, conformément à ce guide d'utilisation. Veuillez vous assurer que ces instructions sont parfaitement comprises avant d'utiliser l'appareil.

Ne laissez pas l'appareil branché. Eteignez et débranchez toujours l'appareil après l'avoir utilisé, ou avant de le nettoyer ou de procéder à son entretien.

Cet appareil peut être utilisé par des enfants âgés d'au moins 8 ans et par des personnes ayant des capacités physiques, sensorielles ou mentales réduites, ou n'ayant pas d'expérience ou de connaissances en la matière. Ces dernières doivent recevoir des instructions sur l'utilisation de l'appareil en toute sécurité et comprendre les risques impliqués. Les enfants ne doivent pas jouer avec l'appareil. Le nettoyage et l'entretien ne devraient pas être effectués par des enfants sans supervision.

Si le cordon d'alimentation est endommagé, arrêtez immédiatement d'utiliser l'appareil. Pour éviter les risques d'accident, un réparateur HOOVER agréé doit remplacer le cordon d'alimentation.

Maintenez les mains, pieds, vêtements et cheveux à distance des brosses rotatives.

N'utilisez que les accessoires, consommables ou pièces détachées recommandés ou fournis par HOOVER.

**Électricité statique :** Certains tapis peuvent entraîner une petite accumulation d'électricité statique. Les décharges d'électricité statique ne sont pas dangereuses pour la santé.

N'utilisez pas votre appareil à l'extérieur, sur une surface humide ou pour un ramassage humide.

N'aspirez pas d'objets durs ou tranchants, d'allumettes, de cendres chaudes, de mégots de cigarettes ou d'autres objets similaires.

Ne pulvérisez ou n'aspirez pas des liquides inflammables, des produits d'entretien liquides, des aérosols ou leurs vapeurs.

Ne marchez pas sur le cordon d'alimentation lorsque vous utilisez votre appareil et ne le débranchez pas de la prise en tirant sur le cordon d'alimentation.

Ne continuez pas à utiliser votre appareil s'il semble défectueux.

**Service HOOVER :** Pour assurer l'utilisation sûre et efficace de cet appareil, nous recommandons de n'en confier l'entretien ou les réparations qu'à un réparateur HOOVER agréé.

Ne marchez pas sur le cordon d'alimentation ou ne l'enroulez pas sur vos bras ou vos jambes quand vous utilisez l'appareil.

N'utilisez pas l'appareil sur des personnes ou des animaux.

Lors du nettoyage des escaliers, ne placez pas l'appareil dans une position plus haute que la vôtre.

#### Environnement

Le symbole figurant sur cet appareil indique qu'il ne peut pas être considéré comme ordures ménagères. Vous devez le déposer dans un centre de recyclage des déchets électriques et électroniques. La mise au rebut doit être effectuée conformément à la réglementation locale en matière de déchets. Pour obtenir des compléments d'information sur le traitement, la récupération et le recyclage de cet appareil, veuillez contacter votre municipalité, le service local d'élimination des ordures ménagères ou le revendeur de l'appareil.



**CE** Cet appareil est conforme aux Directives européennes 2014/35/UE, 2014/30/UE et 2011/65/UE.

CANDY HOOVER GROUP S.r.l. Via Privata Eden Fumagalli, 20861 Brugherio (MB) Italy

## PREMIÈRE UTILISATION

- A. Pédale d'enroulement du cordon
- B. Couvercle du filtre d'évacuation
- C. Filtre d'évacuation
- D. Fente de rangement
- E. Bouton marche/arrêt
- F. Bouton de verrouillage du bac à poussière
- G. Ensemble de bac à poussière
- H. Corps principal
- I. Flexible
- J. Variateur de puissance
- K. Poignée du flexible
- L. Tube télescopique
- M. Bouton de réglage du tube télescopique
- N. Sélecteur de type de sol\*
- O. & O1. Brosse pour moquette et sol dur **(GP)\*\***
- O2. Brosse pour moquette **(CA)\*\***
- O3. Brosse pour sols durs **(HF)\*\***
- P. Volet du bac à poussière
- Q. Bouton de déverrouillage du volet du bac à poussière
- R. Bac à poussière
- S. Unité de séparation multi-cyclone
- T. Filtre de protection du moteur
- U. Couvercle du bac à poussière
- V. Accessoire 2-en-1
- W. Mini turbobrosse pour élimination des poils d'animaux domestiques\*
- X. Mini turbobrosse pour élimination des poils d'animaux domestiques, limitant la prolifération des bactéries\*
- Y. Brosse parquet\*

## MONTAGE DE VOTRE NETTOYEUR VAPEUR

Sortez tous les composants de l'emballage.

1. Raccordez le flexible à l'aspirateur en veillant à ce qu'il se fixe bien et se verrouille correctement. Pour le détacher : il suffit d'appuyer sur le bouton du tuyau et de tirer. **[1]**
2. Connectez la poignée du tuyau à l'extrémité supérieure du tube de rallonge **[2]**, ou aux accessoires, si nécessaire.
3. Connectez l'extrémité inférieure du tube de rallonge à la brosse combinée sols durs et moquettes\*\* **[3]** ou aux accessoires, si nécessaire.

## UTILISATION DE L'ASPIRATEUR

- Sortez le cordon d'alimentation et branchez-le sur la prise d'alimentation. Ne sortez pas le cordon au-delà du repère rouge. [4]
- Réglez le tube télescopique à la hauteur désirée en poussant vers le haut le bouton de réglage du tube télescopique et rehaussez ou abaissez la poignée au niveau le plus confortable pour vous. [5]
- Brosse pour moquette et sol dur\*\* - Appuyez sur la pédale de sélection du type de sol situé sur la brosse [6] pour sélectionner le mode d'aspiration idéal pour le type de sol.

**Sol dur** – Les brosses sont baissées pour protéger le sol.

**Moquette** – Des brosses sont formulées pour un nettoyage en profondeur.

### Brosse moquette et sol dur\*\* : [7]

- **Dépoussiérage sur sols durs** : Appuyez sur la pédale de la brosse pour sélectionner le mode Sols Durs et ajustez le curseur sur la brosse sur TOUS LES SOLS. Dans cette position, les brosses, les roulettes et le balai d'essuie-glace sont baissés pour protéger le sol. [7a]
- **Nettoyage standard de moquette et tapis** : Appuyez sur la pédale de la brosse pour sélectionner le mode Sols Durs et ajustez le curseur de la brosse sur TOUS LES SOLS. Dans cette position, les brosses et le balai d'essuie-glace sont soulevés pendant que les roulettes sont baissées pour favoriser une parfaite liberté de mouvement. [7b]
- **Nettoyage en profondeur de moquette** : Appuyez sur la pédale de la brosse pour sélectionner le mode Moquette et ajustez le curseur de la brosse sur NETTOYAGE EN PROFONDEUR DE MOQUETTE. Dans cette position, les roulettes et le balai d'essuie-glace sont soulevés pour un nettoyage en profondeur de votre moquette. [7c]

**MISE EN GARDE : Il est recommandé d'éviter d'éventuelles rayures du parquet sur lequel la pédale n'est pas réglée sur le mode sol dur et le curseur sur le mode nettoyage en profondeur de moquette.**

- Allumez l'aspirateur en appuyant sur la pédale de marche/arrêt placé sur le corps principal de l'aspirateur. [8]
- Réglez le variateur d'aspiration sur la poignée au niveau désiré. [9]
- Eteignez l'aspirateur après utilisation en appuyant sur la pédale de marche/arrêt. Débranchez l'aspirateur et enroulez le cordon d'alimentation dans l'aspirateur en appuyant sur la pédale d'enroulement du cordon. [10]

### SECTION PARKING ET RANGEMENT

Le tube et la brosse peuvent être rangés à l'arrière de l'aspirateur pour le stocker ou l'entreposer provisoirement pendant l'utilisation. [11]

## ACCESSOIRES ET BROSSES

Pour obtenir la meilleure performance et efficacité énergétique<sup>#1</sup>, il est conseillé d'utiliser les bonnes brosses pour les principales opérations de nettoyage. Ces brosses sont indiquées dans les diagrammes par les lettres **GP**, **HF** ou **CA**.

Le type de brosse **GP** peut être utilisé pour nettoyer la moquette et les sols durs.

Le type de brosse **HF** n'est adapté que pour les sols durs.

Le type de brosse **CA** n'est adapté que pour les moquettes.

Les autres brosses sont des accessoires de nettoyage spécialisés et sont conseillées pour des usages occasionnels uniquement.

Il est important de souligner que cet aspirateur est fourni avec une étiquette énergétique comme l'exige la réglementation européenne (UE) 665/2013.

Si l'étiquette présente un cercle d'interdiction rouge à gauche et recouvre le symbole de moquette, cela signifie qu'il n'est pas approprié d'utiliser l'aspirateur sur des moquettes.

Si l'étiquette présente un cercle d'interdiction rouge à droite et recouvre le symbole des sols durs, cela signifie qu'il n'est pas approprié d'utiliser l'aspirateur sur des sols durs.

**#1 REMARQUE** : Performance de dépoussiérage sur moquette, performance de dépoussiérage sur sol dur et efficacité énergétique en conformité à la réglementation de la Commission (UE) 665/2013 et (UE) 666/2013.

Tous les accessoires s'adaptent à la poignée du flexible ou à l'extrémité du tube télescopique.

**Accessoire 2-en-1** – combine plusieurs fonctions en un seul outil : [V]

**Brosse meuble** – Pour étagères, cadres, claviers et autres surfaces délicates.

**Suceur plat** – Pour coins et endroits difficiles d'accès.

**Brosse parquet\*** – Pour parquets et autres sols délicats. [Y]

**Mini turbobrosse pour élimination des poils d'animaux domestiques\*** - Mini turbo brosse pour escaliers ou nettoyage en profondeur des surfaces textiles et autres surfaces difficiles à aspirer. Particulièrement efficace pour éliminer les poils d'animaux. [W]

**Mini turbobrosse pour élimination des poils d'animaux domestiques, limitant la prolifération des bactéries\*** – Mini turbo brosse pour escaliers ou nettoyage en profondeur des surfaces textiles et autres surfaces difficiles à aspirer. Particulièrement efficace pour éliminer les allergènes. [X]

**IMPORTANT** : Ne pas utiliser les Suceur mini turbo sur les tapis à franges longues, les peaux d'animaux ou les moquettes à poils de plus de 15 mm de longueur. **Ne pas laisser la brosse tourner sur place.**

## ENTRETIEN DE L'ASPIRATEUR

### Vidage du bac à poussière

Lorsque la poussière atteint le repère de niveau maximum, videz le bac à poussière.

**IMPORTANT** : Afin de maintenir la performance optimale de l'appareil, ne laissez pas la poussière s'accumuler au-delà du niveau maximum.

- Éteignez l'appareil en appuyant sur la pédale de marche/arrêt et débranchez le câble d'alimentation. [8]
- Appuyez sur le bouton de déverrouillage du bac à poussière et retirez l'ensemble du bac à poussière de l'aspirateur. [12]
- Tenez le bac à poussière d'une main et appuyez sur le bouton rouge de déverrouillage pour vider la poussière. [13]
- Fermez le volet du bac à poussière et replacez-le dans le corps principal de l'aspirateur.

### Nettoyage des filtres lavables

L'aspirateur est équipé d'un pré-moteur et d'un filtre d'évacuation. Pour maintenir une performance optimale de nettoyage, enlevez régulièrement les filtres et tapez-les sur le

\*Sur certains modèles uniquement

\*\* Sur certains modèles uniquement, les brosses peuvent varier selon le modèle.



côté pour le libérer de la poussière. Les filtres doivent être lavés après 5 vidages de la cassette ou lorsque le niveau de poussière du filtre est excessif.

**IMPORTANT :** Tous les aspirateurs sans sac nécessitent un nettoyage régulier du filtre. Un défaut de nettoyage des filtres peut entraîner un blocage d'air, une surchauffe et un défaut du produit. Ceci peut annuler votre garantie.

**IMPORTANT :** Contrôlez et entretenez régulièrement les filtres.

**IMPORTANT :** Toujours s'assurer que les filtres sont complètement secs avant utilisation.

#### Pour accéder au filtre pré-moteur

1. Détacher le bac à poussière de l'aspirateur en appuyant sur le bouton de déverrouillage du bac à poussière. [12]
2. Tenez le bac à poussière d'une main et avec l'autre main, retirez le couvercle du bac à poussière en le tournant dans le sens inverse des aiguilles d'une montre. [14]
3. Retirez le filtre pré-moteur de l'ensemble de bac à poussière. [15]
4. Tapotez doucement et lavez le filtre pré-moteur. N'utilisez pas d'eau chaude ou de détergents. Éliminez l'excédent d'eau du filtre et laissez-le sécher complètement avant de le réutiliser. [20,21]
5. Remontez l'ensemble du filtre pré-moteur une fois qu'il est entièrement sec et remettez-le sur l'aspirateur.

#### Pour accéder au filtre d'évacuation

1. Déclipsez le couvercle du filtre d'évacuation de l'arrière du corps principal de l'aspirateur. [18]
2. Retirez le filtre d'évacuation de l'arrière de l'aspirateur. [19]
3. Tapotez doucement et lavez le filtre avec de l'eau tiède. N'utilisez pas d'eau chaude ou de détergents. Éliminez l'excédent d'eau du filtre et laissez-le sécher complètement avant de le réutiliser. [20,21]
4. Remettez le filtre d'évacuation à l'arrière de l'aspirateur une fois qu'il est complètement sec et remettez le couvercle du filtre d'évacuation.

**IMPORTANT :** N'utilisez pas l'aspirateur sans les filtres.

#### Nettoyage du bac à poussière/de l'unité de séparation

Cet aspirateur dispose d'un système de séparation unique à Hoover. Si nécessaire, vous pouvez démonter l'unité de séparation du bac à poussière pour la nettoyer.

1. Appuyez sur le bouton de déverrouillage du bac à poussière et retirez l'ensemble du bac à poussière de l'aspirateur. [12]
2. Tenez le bac à poussière d'une main et avec l'autre main, retirez le couvercle du bac à poussière en le tournant dans le sens inverse des aiguilles d'une montre. [14]
3. Retirez l'ensemble du filtre pré-moteur de l'ensemble de bac à poussière. Retirez l'unité de séparation multi-cyclonique du bac à poussière en le tirant. [15,16]
4. Si nécessaire, éliminez la poussière de la surface de l'unité de séparation multi-cyclone à l'aide d'un chiffon. [17]
5. Si nécessaire, lavez le bac à poussière à l'eau tiède. Nettoyez les surfaces internes du bac à poussière avec de l'eau uniquement. N'UTILISEZ EN AUCUN CAS un détergent pour nettoyer l'intérieur du bac à poussière.
6. Remontez le filtre interne et pré-moteur sur le bac à poussière.
7. Remontez le couvercle du bac à poussière sur celui-ci. Remettez le bac à poussière dans le corps principal de l'aspirateur.

\*Sur certains modèles uniquement

\*\* Sur certains modèles uniquement, les brosses peuvent varier selon le modèle.

#### Élimination d'une obstruction

1. Vérifiez si le bac à poussière est plein. Si c'est le cas, voir « Pour vider le bac à poussière ».
2. Si le bac à poussière est vide mais que l'aspirateur aspire mal :
  - A. Les filtres ont-ils besoin d'être nettoyés ? Si c'est le cas, voir « Pour nettoyer les filtres lavables ».
  - B. Vérifiez qu'il n'y ait pas de blocage à un autre endroit du système. - Si les obstructions sont dans le tube de rallonge, le flexible ou encore la brosse, enlevez-les à l'aide d'une tige.
  - C. Vérifiez que le filtre pré-moteur est en place.
  - D. Vérifiez si l'unité de séparation doit être nettoyée. Reportez-vous à « Nettoyage du système de séparation Airvolution ».

#### LISTE DES VÉRIFICATIONS À EFFECTUER

En cas de problèmes avec l'appareil, effectuez les vérifications de la liste de vérifications avant d'appeler le service après-vente Hoover.

- L'aspirateur est-il alimenté en électricité ? Veuillez vérifier la prise utilisée avec un autre appareil électrique.
- Le bac à poussière est-il saturé ? Veuillez vous reporter à « Entretien de l'aspirateur ».
- Le filtre est-il encrassé ? Veuillez vous reporter à « Entretien de l'aspirateur ».
- Le tube ou le flexible est-il bouché ? Veuillez vous reporter à « Pour éliminer un blocage dans le système ».
- L'aspirateur a-t-il surchauffé ? Si c'est le cas, il lui faudra environ 30 minutes pour se réinitialiser automatiquement.

#### INFORMATIONS IMPORTANTES

##### Pièces détachées et consommables Hoover

Toujours remplacer les pièces par des pièces détachées de la marque Hoover. Celles-ci sont disponibles auprès de votre revendeur Hoover. Lors de la commande de pièces, veuillez toujours préciser le numéro de votre modèle.

##### Service Hoover

Pour toute intervention à tout moment, veuillez contacter le service après-vente Hoover le plus proche.

##### Qualité

La qualité des usines Hoover a fait l'objet d'une évaluation indépendante. Nos produits sont fabriqués selon un système de qualité conforme à la norme ISO 9001.

##### Votre garantie

Les conditions de garantie de cet appareil sont définies par notre représentant dans le pays où il est vendu et peuvent être obtenues auprès de votre revendeur. Les détails concernant ces conditions peuvent être obtenues auprès du revendeur auprès duquel l'appareil a été acheté. La facture d'achat ou le reçu doivent être présentés pour toutes réclamations relevant des conditions de cette garantie.

Ces conditions peuvent être modifiées sans préavis.

## HINWEISE FÜR DIE SICHERE BENUTZUNG

Dieses Gerät ist nur zum Gebrauch im Haushalt und nicht für gewerbliche Zwecke bestimmt. Sie sollten das Gerät ausschließlich gemäß den Angaben in dieser Bedienungsanleitung verwenden. Vor dem Gebrauch des Gerätes muss die vorliegende Bedienungsanleitung vollständig gelesen und verstanden worden sein.

Ziehen Sie den Netzstecker nach Gebrauch aus der Steckdose. Vor der Reinigung oder Wartung das Gerät stets ausschalten, den Netzstecker aus der Steckdose ziehen und abkühlen lassen.

Dieses Gerät darf von Kindern ab 8 Jahren, sowie körperlich, geistig oder sensorisch behinderten Personen bzw. Personen ohne Erfahrung und Kenntnisse im Gebrauch nur unter Aufsicht oder unter Anleitung für die sichere Benutzung und den damit verbundenen Gefahren benutzt werden. Kinder sollten nicht unbeaufsichtigt mit dem Gerät spielen. Reinigungs- und Wartungsarbeiten dürfen von Kindern nur unter Aufsicht ausgeführt werden.

Ist das Netzkabel beschädigt, darf das Gerät NICHT mehr benutzt werden. Im Falle eines Defektes darf das Netzkabel nur durch einen autorisierten HOOVER-Kundendiensttechniker ausgetauscht werden.

Hände, Füße, lose Kleidung und Haare von den rotierenden Bürsten fernhalten.

Verwenden Sie nur von HOOVER empfohlene oder gelieferte Zubehörteile, Verbrauchsmaterialien und Ersatzteile.

**Statische Aufladung:** Manche Teppiche können die Bildung statischer Elektrizität verursachen. Diese ist jedoch sehr gering und bei Entladung nicht gesundheitsschädlich.

Benutzen Sie das Gerät nicht im Freien, auf nassen Oberflächen oder zur Aufnahme von feuchtem Schmutz.

Vermeiden Sie es, harte oder scharfe Gegenstände, Streichhölzer, heiße Asche, Zigarettenkippen oder Ähnliches aufzusaugen.

Niemals entzündliche Flüssigkeiten, Reinigungsmittel, Aerosole oder deren Dämpfe auf das Gerät sprühen oder damit aufsaugen.

Während des Betriebs nicht über das Netzkabel fahren. Nicht am Kabel ziehen, um den Gerätestecker aus der Steckdose zu ziehen.

Stellen Sie die Verwendung des Gerätes ein, wenn ein Defekt am Gerät vermutet wird.

**HOOVER-Kundendienst:** Um auf Dauer den sicheren und effizienten Betrieb dieses Gerätes zu gewährleisten, empfehlen wir, Wartungs- und Reparaturarbeiten ausschließlich von einem zugelassenen HOOVER-Kundendienst durchführen zu lassen.

Treten Sie beim Gebrauch des Gerätes nicht auf das Netzkabel und wickeln es sich nicht um Arme oder Beine.

Benutzen Sie das Gerät nicht zur Reinigung von Menschen oder Tieren.

Positionieren Sie das Gerät bei der Reinigung von Treppen nicht oberhalb von Ihnen.

### Umweltschutz

Das am Gerät angebrachte Symbol gibt an, dass dieses Gerät nicht als Hausmüll behandelt werden darf, sondern an einer entsprechenden Sammelstelle für das Recycling von elektrischen und elektronischen Geräten zu entsorgen ist. Die Entsorgung ist in Übereinstimmung mit allen geltenden Vorschriften für die umweltgerechte Abfallentsorgung vorzunehmen. Ausführlichere Informationen über die Müllbehandlung und das Recycling dieses Gerätes erhalten Sie von der zuständigen Umweltbehörde, der Müllentsorgungsstelle Ihrer Kommune oder dem Händler, bei dem Sie das Gerät erworben haben.



**CE** Dieses Gerät erfüllt die Europäischen Richtlinien 2014/35/EU, 2014/30/EU und 2011/65/EU.

CANDY HOOVER GROUP S.r.l. Via Privata Eden Fumagalli, 20861 Brugherio (MB) Italy

## BEZEICHNUNG DER TEILE

- A. Fußtaste für automatische Kabelaufwicklung
- B. Abdeckung für Abluftfilter
- C. Abluftfilter
- D. Parkhalterung
- E. EIN-/AUS-Schalter
- F. Taste zur Entfernung des Staubbehälters
- G. Staubbehälterbaugruppe
- H. Gerätechassis
- I. Saugschlauch
- J. Nebenluftregelung
- K. Handgriff
- L. Rasterteleskoprohr
- M. TeleskoprohrLängenverstellung
- N. Bodenbelagswahlschalter\*
- O. & O1. Umschaltbare Bodendüse (GP)\*\*
  - O2. Teppichbodendüse (CA)\*\*
  - O3. Hartbodendüse (HF)\*\*
- P. Staubbehälterklappe
- Q. Staubbehälterklappen-Freigabetaste
- R. Staubbehälter
- S. Multizyklonabscheidereinheit
- T. Vormotorfilter
- U. Staubbehälterdeckel
- V. 2in1-Zubehör
- W. Miniturbodüse\*
- X. Miniturbodüse\*
- Y. Hartbodendüse\*

## ZUSAMMENBAU DES GERÄTES

Nehmen Sie alle Teile des Gerätes aus dem Karton.

1. Befestigen Sie das eine Ende des Saugschlauches am Gerätekörper, so dass es spürbar einrastet. Freigabe: Drücken Sie die Schlauchentriegelungstaste am Ende des Saugschlauches und ziehen den Schlauch heraus. [1]
2. Schließen Sie den Schlauchhandgriff oder, wenn benutzt, das Zubehör am oberen Ende des Verlängerungsrohr [2] an.
3. Schließen Sie das untere Ende des Verlängerungsrohrs an der umschaltbaren Bodendüse\*\* [3], oder wenn benutzt, am Zubehör an.

## GEBRAUCH DES GERÄTES

1. Ziehen Sie das Netzkabel raus und schließen es an eine Steckdose an. Ziehen Sie das Kabel keinesfalls weiter, als bis zur roten Markierung heraus. [4]
2. Stellen Sie das Teleskoprohr auf die gewünschte Höhe ein, indem Sie den Freigabeknopf nach oben schieben und den Griff auf die Höhe einstellen, die zur Reinigung für Sie am bequemsten ist. [5]
3. Umschaltbare Bodendüse\*\* - Drücken Sie das Pedal an der Düse [6], um die gewünschte Bodenart auszuwählen.

**Hartboden** – Der Borstenkranz wird zum Schutz des Bodens abgesenkt.

**Teppichboden** – Besonders gründliche Reinigung durch Anheben der Bürsten.

### Umschaltbare Bodendüse\*\*: [7]

- **Hartbodenreinigung:** Drücken Sie das Pedal auf der Düse auf Hartbodenmodus und stellen Sie den Schieberegler auf der Düse auf ALLE BÖDEN. In dieser Position werden die Bürsten, Räder und das Wischblatt zu Schutz des Hartbodens abgesenkt. [7a]
  - **Normale Teppichboden- und Vorlegerreinigung:** Drücken Sie das Pedal auf der Düse auf Teppichbodenmodus und stellen Sie den Schieberegler auf der Düse auf ALLE BÖDEN. In dieser Position werden die Bürsten und das Wischblatt angehoben, während die Räder abgesenkt bleiben, um die perfekte Bewegung auf diesen Böden zu erleichtern. [7b]
  - **Tiefgehende Teppichreinigung:** Drücken Sie das Pedal auf der Düse auf Teppichbodenmodus und stellen Sie den Schieberegler auf der Düse auf TIEFGEHENDE TEPPICHREINIGUNG. In dieser Position werden die Bürsten, Räder und das Wischblatt für eine tiefgehende Reinigung Ihres Teppichbodens angehoben. [7c]
- WARNUNG: Um mögliche Kratzer auf Holzböden zu vermeiden, wird empfohlen, das Pedal nicht auf den Hartbodenmodus und den Schieberegler nicht auf tiefgehende Teppichreinigung einzustellen.**
4. Schalten Sie das Gerät ein, indem Sie die Ein-/Aus-Taste betätigen. [8]
  5. Stellen Sie den Nebenluftregler am Handgriff auf die gewünschte Stufe ein. [9]
  6. Nach Gebrauch durch erneutes Betätigen der Ein-/Aus-Taste ausschalten. Ziehen Sie den Stecker raus und drücken die Kabelaufwickeltaste, wodurch das Netzkabel in das Gerät eingezogen wird. [10]

### AUFBEWAHRUNG

Besonders gründliche Reinigung durch Anheben der Bürsten. [11]

## ZUBEHÖR UND DÜSEN

Um die beste Leistung und Energieeffizienz zu erzielen<sup>#1</sup> wird empfohlen, dass die richtigen Düsen für den Hauptreinigungsbetrieb verwendet werden. Die Düsen werden in den Diagrammen mit den Bezeichnungen **GP**, **HF** oder **CA** gekennzeichnet. Die Düse mit der Bezeichnung **GP** kann zur Reinigung von Teppichen und Hartböden verwendet werden.

Die Düse mit der Bezeichnung **HF** ist nur für die Reinigung von Hartböden geeignet.

Die Düse mit der Bezeichnung **CA** ist nur für die Reinigung von Teppichen geeignet.

Die anderen Düsen sind Zubehör für besondere Reinigungsaufgaben und werden nur für die fallweise Benutzung empfohlen.

Es ist wichtig, darauf hinzuweisen, dass dieser Staubsauger mit einem Etikett zur Energieverbrauchskennzeichnung gemäß Europäischer Richtlinie (EU) 665/2013 geliefert wird (EnergieLabel).

Wenn das Etikett links auf dem Teppichsymbol einen roten Verbotskreis aufweist, bedeutet dies, dass der Staubsauger nicht für die Reinigung von Teppichböden geeignet ist.

Wenn das Etikett rechts auf dem Hartbodensymbol einen roten Verbotskreis aufweist, bedeutet dies, dass der Staubsauger nicht für die Reinigung von Hartböden geeignet ist.

**#1 HINWEIS:** Die Werte für die Staubaufnahmekapazität auf Teppichen, auf Hartböden und Energieeffizienz wurden in Übereinstimmung mit den Verordnungen der Kommission (EU) 665/2013 und (EU) 666/2013 ermittelt.

Alle Zubehörteile können entweder am Ende des Schlauchgriffs oder des Teleskoprohrs befestigt werden.

**2in1-Zubehör** – Vereint verschiedene Funktionen in einem Zubehörteil: **[V]**

**Möbelpinsel** – Für Bücherregale, Bilderrahmen, Tastaturen und andere empfindliche Bereiche.

**Fugendüse** – Ideal zur Reinigung von Ecken und schwer zugänglichen Bereichen.

**Hartbodendüse\*** – Ideal zur Reinigung von Parkettböden und anderen empfindlichen Hartböden. **[Y]**

**Miniturbodüse\*** – Die Miniturbodüse eignet sich speziell zur Reinigung von Matratzen und Polstermöbeln. Besonders geeignet zur Entfernung von Tierhaaren. **[W]**

**Miniturbodüse\*** – Die Miniturbodüse eignet sich speziell zur Reinigung von Matratzen und Polstermöbeln. Reinigt Matratzen und Polstermöbel besonders gründlich. **[X]**

**WICHTIG:** Benutzen Sie die Miniturbodüse nicht auf Teppichen und Vorlegern mit langen Fransen, auf Tierfellen und auf über 15 mm tiefem Teppichflor. **Halten Sie die Düse bei sich drehender Bürstwalze nicht still.**

## WARTUNG DES GERÄTES

### Leeren des Staubbehälters

Der Staubbehälter muss geleert werden, wenn die MAX.-Marke am Behälter erreicht ist.

**WICHTIG:** Bitte beachten Sie, dass zur Aufrechterhaltung der optimalen Leistungsfähigkeit Ihres Gerätes der Staubbehälter nicht über die MAX.-Marke gefüllt sein sollte.

1. Schalten Sie den Staubsauger mit der Ein-/Aus-Taste aus und ziehen Sie den Stecker vom Netzkabel aus der Steckdose. **[8]**
2. Drücken Sie die Staubbehälter-Freigabetaste und nehmen Sie die Staubbehälterbaugruppe vom Staubsauger ab. **[12]**
3. Halten Sie den Staubbehälter mit einer Hand fest und drücken Sie mit der anderen auf die Staubbehälterklappen-Freigabetaste um den Staub zu entleeren. **[13]**
4. Schließen Sie die Staubbehälterklappe und setzen den Staubbehälter wieder in den Gerätekorpus ein.

### Reinigung der waschbaren Filter

Der Staubsauger ist mit einem Vormotor- und Abluftfilter ausgestattet. Um die optimale Reinigungsleistung sicherzustellen, entfernen Sie regelmäßig die Filter klopfen Sie gegen

die Seite des Staubbehälter, um den Staub zu lösen. Die Filter müssen spätestens nach 5 Entleerungen der Staubkassetten oder wenn diese sehr stark verschmutzt sind, mit lauwarmen Wasser ausgewaschen werden.

**WICHTIG:** Alle beutellosen Staubsauger müssen regelmäßig gereinigt und gewartet werden. Werden die Filter nicht gereinigt, kann dies zu Verstopfung, Überhitzung und damit zu einem Produktausfall führen. Dadurch erlischt möglicherweise Ihre Garantie.

**WICHTIG:** Die Filter regelmäßig überprüfen und warten.

**WICHTIG:** Die Filter dürfen erst wieder benutzt werden, wenn sie vollständig getrocknet sind.

#### So entfernen Sie den Vormotorfilter:

1. Zum Entfernen des Staubbehälters vom Staubsauger drücken Sie auf die Staubbehälter-Freigabetaste. **[12]**
2. Halten Sie den Staubbehälter mit einer Hand fest und entfernen Sie den Staubbehälterdeckel, in dem Sie ihn mit der anderen Hand entgegen dem Uhrzeigersinn drehen. **[14]**
3. Nehmen Sie den Vormotorfilterbaugruppe von der Staubbehälterbaugruppe ab. **[15]**
4. Klopfen Sie den Vormotorfilter vorsichtig aus und waschen Sie ihn. Verwenden Sie kein heißes Wasser und keine Reinigungsmittel. Entfernen Sie das überschüssige Wasser aus dem Filter und lassen Sie ihn vor erneuter Verwendung gründlich trocknen. **[20,21]**
5. Bauen Sie den Vormotorfilter, nachdem er vollständig getrocknet ist, wieder zusammen und setzen Sie diesen wieder in den Staubsauger ein.

#### Entfernen des Abluftfilters:

1. Lösen Sie die Abdeckung des Abluftfilters an der Rückseite des Staubsaugergehäuses. **[18]**
2. Entfernen Sie den Abluftfilter von der Rückseite des Staubsaugers. **[19]**
3. Klopfen Sie den Filter unter lauwarmem Wasser vorsichtig aus. Verwenden Sie kein heißes Wasser und keine Reinigungsmittel. Entfernen Sie das überschüssige Wasser aus dem Filter und lassen Sie ihn vor erneuter Verwendung gründlich trocknen. **[20,21]**
4. Montieren Sie den Abluftfilter, nachdem er vollständig getrocknet ist, wieder an der Rückseite des Staubsaugers und befestigen danach die Abdeckung des Abluftfilters.

**WICHTIG:** Das Gerät darf auf keinen Fall ohne die Filter benutzt werden.

### Reinigung des Staubbehälters/der Airvolution-Funktionseinheit

Dieser Staubsauger nutzt eine spezielle Schmutzabscheidereinheit. Bei Bedarf kann diese aus dem Staubbehälter ausgebaut und gereinigt werden.

1. Drücken Sie die Staubbehälter-Freigabetaste und nehmen Sie die Staubbehälterbaugruppe vom Staubsauger ab. **[12]**
2. Halten Sie den Staubbehälter mit einer Hand fest und entfernen Sie den Staubbehälterdeckel, in dem Sie ihn mit der anderen Hand entgegen dem Uhrzeigersinn drehen. **[14]**
3. Nehmen Sie den Vormotorfilterbaugruppe von der Staubbehälterbaugruppe ab. Ziehen Sie danach die Multizyklonabscheidereinheit vom Staubbehälter ab. **[15,16]**
4. Bei starker Verschmutzung können Sie die Oberfläche der Multizyklonabscheidereinheit mit einem Tuch abwischen. **[17]**
5. Falls erforderlich, können Sie den Staubbehälter mit lauwarmen Wasser ausspülen. Waschen Sie die Innenseiten des Behälters nur mit Wasser aus. Verwenden Sie KEINE Seife und keine Reinigungsmittel zur Reinigung der Innenseiten des Staubbehälters.
6. Befestigen Sie den Innen- und Vormotorfilter wieder am Staubbehälter.
7. Befestigen Sie den Staubbehälterdeckel wieder am Staubbehälter. Befestigen Sie den Staubbehälter wieder am Reinigerhauptgehäuse.

\*Geräteausstattung ist modellabhängig

\*\* Nur bei bestimmten Modellen können die Düsen modellabhängig sein

## Entfernen einer Verstopfung

1. Prüfen Sie, ob der Staubbehälter voll ist. Ist er voll, siehe „Leeren des Staubbehälters“.
2. Falls der Staubbehälter leer ist und die Saugkraft dennoch schwach ist, folgendes prüfen:
  - A. Müssen die Filter gereinigt werden? Falls ja, siehe Kapitel „Reinigung der waschbaren Filter“.
  - B. Prüfen Sie, ob der Saugtrakt an einer anderen Stelle verstopft ist. - Entfernen Sie Verstopfungen im Teleskoprohr oder im Saugschlauch mit einem Stab.
  - C. Prüfen Sie, ob der Vormotorvorfilter richtig eingebaut ist.
  - D. Prüfen Sie, ob die Multizykloneinheit gereinigt werden muss. Weitere Informationen finden Sie unter „Reinigung der AirVolution-Funktionseinheit“.

## PRÜFLISTE ZUR FEHLERSUCHE

Bitte prüfen Sie zunächst die einzelnen Punkte dieser Prüfliste, bevor Sie sich bei einem Problem an Ihre zuständige Hoover-Kundendienststelle wenden.

- Ist die Stromversorgung in Ordnung? Bitte überprüfen Sie diese mit einem anderen elektrischen Gerät.
- Ist der Staubbehälter überfüllt? Siehe „Wartung des Staubsaugers“.
- Ist einer der Filter zugesetzt? Siehe „Wartung des Staubsaugers“.
- Ist der Saugschlauch oder die Düse verstopft? Siehe „Verstopfung des Saugtraktes beheben“.
- Ist der Staubsauger überhitzt? Falls ja, dauert es ca. 30 Minuten, bis der Überhitzungsschutz sich automatisch abschaltet.

## WICHTIGE INFORMATIONEN

### Hoover Ersatzteile und Verbrauchsmaterial

Verwenden Sie stets Originalersatzteile von Hoover. Diese sind über den Hoover-Kundendienst erhältlich. Geben Sie bei der Bestellung von Ersatzteilen bitte stets die komplette 16stellige Artikelnummer (Typenplakette auf der Rückseite des Gerätes) Ihres Gerätemodells an.

### Hoover-Kundendienst

Zur Wartung oder Reparatur Ihres Produktes wenden Sie sich bitte an Ihre zuständige Hoover-Kundendienststelle.

### Qualität

Die Hoover-Werke wurden unabhängig voneinander jeweils einer Qualitätsprüfung unterzogen. Unsere Produkte werden nach einem Qualitätsstandard hergestellt, der die Anforderungen von ISO 9001 erfüllt.

### Garantieerklärung

Die Garantiebestimmungen für dieses Gerät entsprechen den Richtlinien des Landes, in dem Sie das Gerät erworben haben. Weitere Einzelheiten dazu erhalten Sie vom Händler, bei dem Sie das Gerät erworben haben oder aus dem roten Garantieheft, das der Verpackung beiliegt. Bitte bewahren Sie den Kaufbeleg sorgfältig auf, denn er wird für eventuell auftretende Garantieansprüche benötigt.

Änderungen vorbehalten.

## ISTRUZIONI PER UN USO SICURO

Questo apparecchio deve essere utilizzato esclusivamente in ambito domestico per interventi di pulizia, secondo le istruzioni riportate nel presente documento. Accertarsi di aver compreso le istruzioni prima di mettere in funzione l'apparecchio.

Non lasciare l'apparecchio collegato alla corrente. Prima di procedere alla pulizia dell'apparecchiatura o di effettuare qualsiasi operazione di manutenzione, spegnere sempre l'apparecchio e scollegare la spina.

Questo elettrodomestico non è destinato a essere utilizzato da persone dalle ridotte capacità fisiche, sensoriali o mentali (bambini inclusi), senza una adeguata assistenza o controllo da parte di una persona adulta responsabile della loro sicurezza. Controllare che i bambini non giochino con l'apparecchio. Pulizia e manutenzione non possono essere eseguite da bambini senza sorveglianza da parte di una persona responsabile.

Se il cavo di alimentazione è danneggiato, interrompere immediatamente l'utilizzo dell'apparecchio. Per evitare pericoli, il cavo di alimentazione dovrà essere sostituito da un tecnico del servizio assistenza autorizzato HOOVER.

Tenere le mani, i piedi, i capi di abbigliamento non atillati e i capelli lontani dalle spazzole rotanti.

Utilizzare solo accessori o parti di consumo e di ricambio consigliati o forniti da HOOVER.

**Elettricità statica:** Alcuni tappeti possono produrre un piccolo accumulo di elettricità statica. Le cariche di elettricità statica non sono pericolose per la salute.

Non utilizzare l'apparecchio all'aperto, su superfici bagnate o per aspirare liquidi.

Non aspirare oggetti solidi o appuntiti, fiammiferi, ceneri calde, mozziconi di sigaretta o simili.

Non vaporizzare o aspirare liquidi infiammabili, detergenti, aerosol o i loro vapori.

Non calpestare il cavo di alimentazione durante l'utilizzo dell'apparecchio o scollegare la spina dalla presa tirando il cavo di alimentazione.

Non continuare a utilizzare l'apparecchio in caso di presunto guasto.

**Assistenza HOOVER:** Per garantire un funzionamento sempre sicuro ed efficiente dell'apparecchiatura, si consiglia di fare eseguire eventuali interventi di assistenza o di riparazione dai tecnici del servizio assistenza autorizzato HOOVER.

Non calpestare il cavo di alimentazione o avvolgerlo intorno alle braccia o alle gambe mentre si usa l'apparecchio.

Non utilizzare l'apparecchio per l'igiene della persona o degli animali.

Non collocare l'apparecchio in una posizione più bassa rispetto alla propria quando si puliscono delle scale.

#### Ambiente:

Il simbolo apposto sul prodotto indica che lo stesso non può essere smaltito come i normali rifiuti domestici, bensì deve essere portato al punto di raccolta o al centro di riciclaggio delle apparecchiature elettriche ed elettroniche più vicino. Lo smaltimento deve essere eseguito in conformità alle normative locali vigenti per la salvaguardia dell'ambiente e lo smaltimento dei rifiuti. Per ulteriori informazioni sul trattamento, il recupero e il riciclaggio di questo prodotto, contattare l'unità territoriale competente per il servizio di smaltimento o il negozio in cui il prodotto è stato acquistato.



**CE** Questo prodotto è conforme alle Direttive Europee 2014/35/EU, 2014/30/EU e 2011/65/EU.

CANDY HOOVER GROUP S.r.l. Via Privata Eden Fumagalli, 20861 Brugherio (MB) Italy

## DESCRIZIONE DELL'APPARECCHIO:

- A. Pedale di riavvolgimento del cavo
- B. Coperchio del filtro in uscita
- C. Filtro in uscita
- D. Stazionamento
- E. Pulsante a pedale Accensione/Spegnimento
- F. Pulsante sblocco contenitore raccogli-polvere
- G. Gruppo contenitore raccogli-polvere.
- H. Corpo principale dell'apparecchio
- I. Tubo flessibile
- J. Regolatore forza aspirante
- K. Impugnatura tubo
- L. Tubo telescopico
- M. Dispositivo di controllo del tubo telescopico
- N. Selettore tipo pavimento\*
- O. & O1. Spazzola per tappeti e pavimenti **(GP)\*\***
- O2. Spazzola per tappeti **(CA)\*\***
- O3. Spazzola per pavimenti duri **(HF)\*\***
- P. Sportello del contenitore raccogli-polvere.
- Q. Pulsante di sblocco dello sportello contenitore raccogli-polvere
- R. Contenitore raccogli-polvere
- S. Unità di separazione Multiciclonica
- T. Filtro Pre-Motore
- U. Coperchio contenitore raccogli-polvere
- V. Accessori 2 in 1
- W. Mini turbospazzola per rimuovere i peli di animali domestici\*
- X. Mini turbospazzola per rimuovere gli allergeni\*
- Y. Spazzola Parquet\*

## MONTAGGIO DELL'APPARECCHIO

Disimballare tutti i componenti.

1. Collegare il tubo flessibile al corpo principale dell'apparecchio, assicurandosi che si agganci e si blocchi in posizione. Per disinserire il tubo, è sufficiente premere il pulsante all'estremità del tubo flessibile e tirare per estrarlo. **[1]**
2. Collegare l'impugnatura del tubo flessibile all'estremità superiore della prolunga del tubo **[2]** o, se necessario, agli accessori.
3. Collegare l'estremità inferiore della prolunga del tubo alla spazzola\*\* **[3]** per tappeti e pavimenti o, se necessario, agli accessori.

## UTILIZZO DELL'APPARECCHIO

1. Estrarre il cavo di alimentazione e inserirlo in una presa di corrente. Non tirare il cavo oltre l'indicatore rosso. [4]
2. Regolare il tubo telescopico all'altezza desiderata spostando verso l'alto il dispositivo di controllo del tubo telescopico e sollevando o abbassando l'impugnatura fino a trovare la posizione di pulizia più confortevole. [5]
3. Spazzola per tappeti e pavimenti\*\* - Premere il selettore tipo pavimento sulla spazzola [6] per selezionare la modalità di pulizia ideale per il tipo di superficie da pulire.

**Pavimento** – Le setole si abbassano per proteggere il pavimento.

**Tappeto/moquette** – Le spazzole si sollevano per garantire una pulizia più in profondità.

### Spazzola per tappeti e pavimenti\*\*:[7]

- **Pulizia pavimenti duri:** Premere il pedale sulla spazzola in modalità "Pavimenti Duri" e selezionare con il cursore sulla spazzola la modalità "TUTTI I PAVIMENTI". In questa modalità spazzole, ruote e spatole tergitristallo vengono abbassate per proteggere i pavimenti duri. [7a]
- **Pulizia standard per tappeti e moquette:** Premere il pedale sulla spazzola in modalità "Tappeti" e selezionare con il cursore sulla spazzola la modalità "TUTTI I PAVIMENTI". In questa modalità spazzole e spatole tergitristallo vengono sollevate, mentre le ruote sono abbassate per facilitare il movimento su queste superfici. [7b]
- **Pulizia profonda per tappeti:** Premere il pedale sulla spazzola in modalità "Tappeti" e selezionare con il cursore sulla spazzola la modalità "PULIZIA PROFONDA TAPPETI". In questa modalità spazzole, ruote e spatole tergitristallo vengono sollevate per pulire a fondo il tappeto. [7c]

**ATTENZIONE: Per evitare graffiature a pavimenti in legno prestare attenzione e non posizionare il pedale in modalità "Pavimenti duri" e il cursore in modalità "PULIZIA PROFONDA TAPPETI".**

4. Accendere l'apparecchio premendo il pulsante a pedale di accensione/spengimento sul corpo principale dell'aspirapolvere. [8]
5. Posizionare il regolatore di forza aspirante sull'impugnatura al livello desiderato. [9]
6. Dopo l'uso, spegnere l'apparecchio premendo il pulsante a pedale di accensione/spengimento. Staccare la spina e premere il pedale di riavvolgimento del cavo per riavvolgere il cavo di alimentazione nell'aspirapolvere. [10]

### STAZIONAMENTO E PARCHEGGIO

Il tubo e la spazzola possono essere parcheggiati sul retro dell'apparecchio per essere riposti o per uno stazionamento temporaneo durante l'uso. [11]

## ACCESSORI E SPAZZOLE

Per ottenere prestazioni ottimali ed efficienza energetica<sup>#1</sup>, è consigliato usare le spazzole appropriate per le principali operazioni di pulizia. Queste spazzole sono indicate nel diagramma con le lettere **GP**, **HF** o **CA**.

La spazzola di tipo **GP** è adatta per pulire sia tappeti che pavimenti duri.

La spazzola di tipo **HF** è adatta solo per la pulizia dei pavimenti duri.

La spazzola di tipo **CA** è adatta solo per la pulizia dei tappeti.

Le altre spazzole sono accessorie per operazioni di pulizia speciale e sono raccomandate solo per usi occasionali.

È importante notare che questo aspirapolvere è provvisto di Etichetta Energetica conformemente alla Normativa Europea (EU) 665/2013.

Se l'etichetta riporta a sinistra un cerchio rosso di divieto che ricopre il simbolo del tappeto, significa che l'aspirapolvere non è adatto per la pulizia dei tappeti.

Se l'etichetta riporta a destra un cerchio rosso di divieto che ricopre il simbolo di pavimenti duri, significa che l'aspirapolvere non è adatto per la pulizia dei pavimenti duri.

**#1 NOTA:** Capacità di raccolta della polvere sui tappeti, capacità di raccolta della polvere sui pavimenti duri ed efficienza energetica conformi alle Normative della Commissione (EU) 665/2013 e (EU) 666/2013.

Tutti gli accessori possono essere inseriti all'estremità dell'impugnatura del tubo flessibile o all'estremità del tubo telescopico.

**Bocchetta 2 in 1** – Combina diverse funzioni in un unico dispositivo: [V]

**Spazzola a pennello** – Per librerie, cornici, tastiere e altre superfici delicate.

**Bocchetta per fessure** – Per angoli e punti difficili da raggiungere.

**Spazzola Parquet\*** – Per parquet e pavimenti delicati. [Y]

**Mini turbospazzola per rimuovere i peli di animali domestici\*** - utilizzare la mini turbospazzola per la pulizia profonda di superfici tessili e imbottiti e per altre aree difficili. Particolarmente adatta per rimuovere i peli degli animali domestici. [W]

**Mini turbospazzola per rimuovere gli allergeni\*** – utilizzare la mini turbospazzola per la pulizia profonda di superfici tessili e imbottiti e per altre aree difficili. Particolarmente adatta per rimuovere gli allergeni. [X]

**IMPORTANTE:** Non utilizzare La miNi turbospazzola su pellicce e su tappeti a frange o con pelo di oltre 15 mm. **Non tenere ferma la spazzola sul tappeto con il rullo in rotazione.**

## MANUTENZIONE DELL'APPARECCHIO

### Svuotamento del contenitore raccogli-polvere

Quando la polvere raggiunge l'indicatore di livello massimo, svuotare il contenitore raccogli-polvere.

**IMPORTANTE:** per ottenere prestazioni ottimali, non consentire che la polvere si accumuli oltre il livello massimo.

1. Spegnere l'apparecchio premendo il pedale di accensione/spengimento e scollegare il cavo di alimentazione. [8]
2. Premere il pulsante di sblocco del contenitore raccogli-polvere e rimuovere il gruppo contenitore dall'apparecchio. [12]
3. Con una mano tenere il contenitore raccogli-polvere e premere il pulsante di rilascio dello stesso contenitore raccogli-polvere per svuotarlo. [13]
4. Chiudere lo sportello contenitore raccogli-polvere e riposizionarlo sul corpo principale dell'apparecchio.

### Pulizia dei filtri lavabili

L'apparecchio è dotato di filtro pre-motore e di filtro in uscita. Per mantenere prestazioni ottimali, rimuovere periodicamente i filtri e picchiettarli contro il lato del contenitore raccogli-polvere per eliminarne la polvere. I filtri devono essere lavati ogni 5 svuotamenti della cassetta o ogni volta che la polvere in essi contenuta risulti eccessiva.

**IMPORTANTE:** Tutti gli apparecchi senza sacchetto richiedono una regolare pulizia del filtro. La mancata pulizia dei filtri può causare il blocco, il surriscaldamento e il danneggiamento dell'apparecchio. Tutto ciò può invalidare la garanzia.

**IMPORTANTE:** Controllare i filtri sistematicamente e sottoporli a regolare manutenzione.

**IMPORTANTE:** Prima dell'utilizzo, accertarsi sempre che i filtri siano completamente asciutti.

#### Per accedere al filtro Pre-motore:

1. Rimuovere il contenitore raccogli-polvere dall'apparecchio premere il pulsante di rilascio dello stesso contenitore raccogli-polvere. **[12]**
2. Con una mano tenere il contenitore raccogli-polvere e con l'altra togliere il coperchio del contenitore raccogli-polvere ruotandolo in senso antiorario. **[14]**
3. Estrarre il gruppo filtro pre-motore dal gruppo contenitore raccogli-polvere. **[15]**
4. Picchiare e lavare il filtro pre-motore. Non utilizzare acqua bollente o detersivi. Eliminare l'acqua in eccesso dal filtro e lasciarlo asciugare completamente prima di riutilizzarlo. **[20,21]**
5. Una volta asciutto, riassemblare il gruppo filtri e rimontarlo sull'apparecchio.

#### Per accedere al filtro in uscita:

1. Sganciare il coperchio del filtro in uscita dal retro del corpo principale dell'apparecchio. **[18]**
2. Rimuovere il filtro in uscita dal retro dell'apparecchio. **[19]**
3. Picchiare e lavare il filtro con acqua calda. Non utilizzare acqua bollente o detersivi. Eliminare l'acqua in eccesso dal filtro e lasciarlo asciugare completamente prima di riutilizzarlo. **[20,21]**
4. Una volta completamente asciutto, rimontare il filtro in uscita nel retro dell'apparecchio e rimettere il coperchio del filtro in uscita.

**IMPORTANTE:** Non utilizzare il prodotto senza aver prima montato l'unità filtro.

### Pulizia del contenitore raccogli-polvere / unità di separazione

Questo apparecchio utilizza un sistema di separazione esclusivo di Hoover. Se necessario, l'unità di separazione può essere smontata dal contenitore raccogli-polvere e pulita.

1. Premere il pulsante di sblocco del contenitore raccogli-polvere e rimuovere il gruppo contenitore dall'apparecchio. **[12]**
2. Con una mano tenere il contenitore raccogli-polvere e con l'altra togliere il coperchio del contenitore raccogli-polvere ruotandolo in senso antiorario. **[14]**
3. Estrarre il gruppo filtro pre-motore dal gruppo contenitore raccogli-polvere. Quindi rimuovere l'unità di separazione multiciclonica, dal contenitore raccogli-polvere, tirandola. **[15,16]**
4. Se necessario, utilizzare un panno per rimuovere la polvere in eccesso dalla superficie dell'unità di separazione multiciclonica. **[17]**
5. Se necessario, sciacquare il contenitore raccogli-polvere con acqua tiepida. Lavare le superfici interne del contenitore raccogli-polvere solo con acqua. NON utilizzare saponi detersivi per lavare le parti interne del contenitore raccogli-polvere.
6. Rimontare l'interno e il filtro pre-motore nel contenitore raccogli-polvere.
7. Rimettere al contenitore raccogli-polvere il suo coperchio. Riposizionare il contenitore raccogli-polvere sul corpo principale dell'apparecchio.

\*Solo su alcuni modelli

\*\* Solo su alcuni modelli, le spazzole possono variare secondo il modello

### Rimozione di un'ostruzione

1. Controllare che il contenitore raccogli-polvere non sia pieno. Se è pieno, vedere "Svuotamento del contenitore raccogli-polvere".
2. Se il contenitore raccogli-polvere non è pieno ma l'aspirazione è ancora scarsa:
  - A. Potrebbe essere necessario pulire i filtri. In questo caso, vedere la sezione "Pulizia dei filtri lavabili".
  - B. Controllare che non vi siano altre ostruzioni nel sistema. - Utilizzare un'asticella o un bastoncino per rimuovere eventuali ostruzioni dal tubo telescopico o dal tubo flessibile.
  - C. Verificare che il filtro pre-motore sia installato.
  - D. Verificare se l'unità di separazione debba essere pulita. Fare riferimento al paragrafo "Pulizia dell'unità di separazione".

### CHECKLIST UTENTE

In caso di problemi, completare questa semplice checklist utente prima di chiamare il centro assistenza Hoover.

- La presa elettrica a cui è collegato l'apparecchio è funzionante? Controllare collegando un altro elettrodomestico.
- Il contenitore raccogli-polvere è pieno? Vedere "Manutenzione dell'apparecchio".
- Il filtro è ostruito? Vedere "Manutenzione dell'apparecchio".
- Il tubo flessibile o la bocchetta sono ostruiti? Vedere "Rimozione di un'ostruzione dal sistema".
- L'aspirazione si è surriscaldato? In questo caso, il reset automatico richiede circa 30 minuti.

### INFORMAZIONI IMPORTANTI

#### Parti di ricambio e di consumo Hoover

Utilizzare sempre parti di ricambio originali Hoover, che è possibile acquistare dal distributore locale Hoover o direttamente sul sito internet Hoover. Quando si ordinano delle parti di ricambio, ricordarsi sempre di fornire il numero di modello dell'apparecchio utilizzato.

#### Assistenza Hoover

Per richiedere assistenza in qualsiasi momento, contattare il centro assistenza Hoover più vicino.

#### Qualità

La qualità degli stabilimenti Hoover è stata sottoposta a valutazione indipendente. I nostri prodotti vengono realizzati mediante un sistema di qualità che soddisfa i requisiti ISO 9001.

#### Regolamento per la garanzia

Le condizioni di garanzia relative a questo apparecchio sono definite dal rappresentante Hoover nel Paese di vendita. Per conoscere in dettaglio le condizioni, rivolgersi al distributore Hoover presso il quale l'apparecchio è stato acquistato. Per ogni contestazione ai sensi dei termini della garanzia, è necessario mostrare la fattura o un documento di acquisto equipollente.

Queste condizioni potrebbero venire modificate senza obbligo di preavviso.



## INSTRUCCIONES PARA UN USO SEGURO

Este aparato solo debe utilizarse para la limpieza doméstica habitual, como se describe en este manual de usuario. Asegúrese de haber comprendido todo el contenido de este manual antes de poner en funcionamiento el aparato.

No deje enchufado el aparato. Apague y desenchufe siempre el aparato antes de limpiarlo o de realizar cualquier labor de mantenimiento.

Este aparato puede ser usado por niños de 8 años en adelante y personas con capacidades físicas, sensoriales o mentales reducidas, así como falta de experiencia y conocimiento. Siempre bajo supervisión y con una explicación segura y comprensible de las instrucciones con respecto al uso del aparato y los riesgos implicados. Los niños no deben jugar con el aparato. Los niños no deben limpiar ni dar mantenimiento sin supervisión.

Si el cable de alimentación está dañado, deje de utilizar el aparato inmediatamente. Para evitar peligros de seguridad, solo profesionales del Servicio Técnico de Hoover deben reemplazar el cable de alimentación.

Mantener pies, manos, ropa suelta y cabello lejos de los cepillos rotatorios.

Utilizar únicamente accesorios, consumibles o recambios recomendados o suministrados por HOOVER.

**Electricidad estática:** Algunas alfombras pueden provocar una pequeña acumulación de electricidad estática. Las descargas estáticas no son peligrosas para la salud.

No utilice el aparato al aire libre, en superficies húmedas o para recoger líquidos.

No aspire objetos duros o afilados, cerillas, cenizas calientes, colillas de cigarrillo u objetos similares.

No rocíe, ni aspire líquidos inflamables, aerosoles para limpiar o sus vapores.

No pase por encima del cable de alimentación cuando utilice el aparato, ni lo desenchufe tirando del cable.

No siga utilizando su aparato si parece tener algún defecto.

**Servicio Técnico HOOVER:** Para garantizar el funcionamiento seguro y eficaz del aparato, recomendamos que las tareas de mantenimiento y reparación sean realizadas exclusivamente por profesionales autorizados del Servicio Técnico de Hoover.

No pise el cable ni lo enrolle en los brazos, ni piernas al utilizar el aparato.

No utilice el aparato en personas ni animales.

No sitúe el aparato por encima de usted cuando esté limpiando las escaleras.

### El Medio Ambiente:

El símbolo que puede verse en el producto indica que este no puede tratarse como residuo doméstico. En su lugar, se debe entregar en un punto de recogida de electrodomésticos para el reciclaje de equipos eléctricos y electrónicos. La eliminación debe llevarse a cabo según los reglamentos medioambientales locales sobre eliminación de residuos. Para información más detallada sobre el tratamiento, la recuperación y el reciclaje de este aparato, póngase en contacto con su Ayuntamiento, su servicio de recogida de residuos domésticos o con el establecimiento donde haya comprado el producto.



**CE** Este electrodoméstico cumple con las Directivas Europeas 2014/35/UE, 2014/30/UE y 2011/65/UE.

CANDY HOOVER GROUP S.r.l. Via Privata Eden Fumagalli, 20861 Brugherio (MB) Italy

## INFORMACIÓN SOBRE SU ASPIRADOR

- A. Pedal recogecable
- B. Tapa del filtro de salida
- C. Filtro de salida
- D. Estacionamiento
- E. Pedal de encendido/apagado
- F. Botón de liberación del recolector de polvo
- G. Montaje del contenedor de polvo
- H. Cuerpo principal
- I. Manguera
- J. Regulador de succión
- K. Empuñadura de la manguera
- L. Tubo telescópico
- M. Regulador del tubo telescópico
- N. Pedal selector de tipo de suelos\*
- O. & O1. Tobera para alfombras y suelos **(GP)\*\***
- O2. Tobera para alfombras **(CA)\*\***
- O3. Tobera para suelos duros **(HF)\*\***
- P. Tapa del contenedor de polvo
- Q. Botón de liberación de la tapa del contenedor de polvo
- R. Depósito de suciedad
- S. Unidad de separación Multi-Ciclónica
- T. Filtro pre-motor
- U. Tapa del contenedor de polvo
- V. Accesorio 2 en 1
- W. Tobera Mini Turbo eliminador de pelo de mascotas\*
- X. Tobera Mini Turbo eliminador de alérgenos\*
- Y. Tobera Parquet\*

## MONTAJE DEL ASPIRADOR

Saque todas las piezas del embalaje.

1. Conecte la manguera a la estructura central del aspirador, asegurándose de que quede encajado y bien sujeto. Para sacar la manguera: solo hay que ejercer presión sobre el botón que se encuentra en el extremo de la manguera y tirar. **[1]**
2. Conecte la empuñadura de la manguera al extremo superior del tubo extensible [2], o de ser necesario, a los accesorios.
3. Conecte el extremo inferior del tubo extensible a la tobera para suelos y alfombras\*\* [3] o, de ser necesario, a los accesorios.

## UTILIZACIÓN DEL ASPIRADOR

1. Extraiga el cable de alimentación y enchúfelo a la toma de corriente. No debe continuar tirando del cable cuando llegue a la marca roja. **[4]**
2. Regule el tubo telescópico a la altura deseada desplazando hacia arriba el regulador del tubo telescópico y levantando o bajando la empuñadura hasta encontrar la posición de limpieza más cómoda. **[5]**
3. Tobera para alfombras y suelos\*\* - Pulse el selector del tipo de suelos en la tobera **[6]** para seleccionar el modo de limpieza adecuado.

**Suelos duros** – Los cepillos bajan para proteger el suelo.

**Alfombra** – Los cepillos se elevan para una limpieza a fondo.

**Tobera para suelos duros y alfombras\*\*:** **[7]**

- **Limpieza de suelos duros:** Presione el pedal de la tobera, póngalo en modo Suelos Duros y ajuste el control deslizante de la tobera colocándolo en **TODOS LOS SUELOS**. En esta posición los cepillos, las ruedas y la rasqueta se bajan para proteger los suelos duros. **[7a]**
  - **Limpieza de alfombras y tapetes estándar:** Presione el pedal de la tobera, póngalo en modo Alfombra y regule el control deslizante de la tobera colocándolo en **TODOS LOS SUELOS**. En esta posición, los cepillos y la rasqueta se levantan mientras que las ruedas se bajan para permitir una perfecta facilidad de movimiento en dichas superficies. **[7b]**
  - **Limpieza profunda de alfombras:** Presione el pedal de la tobera, colóquelo en modo Alfombra y regule colocando el control deslizante de la tobera en **LIMPIEZA PROFUNDA DE ALFOMBRAS**. En esta posición, los cepillos, las ruedas y la rasqueta se levantan para una limpieza profunda de la alfombra. **[7c]**
- ADVERTENCIA: Para evitar que se puedan rayar los suelos de madera, se recomienda que el pedal no se encuentre en modo suelos duros y el control deslizante en limpieza profunda de las alfombras.**
4. Encienda el aspirador pulsando el pedal de encendido/apagado en el cuerpo principal del aspirador. **[8]**
  5. Ajuste el regulador de succión ubicado en el mango en el nivel deseado. **[9]**
  6. Apague el aparato tras su uso pulsando el pedal de encendido/apagado. Desenchufe y accione el pedal para enrollar el cable de alimentación en el aspirador. **[10]**

## SECCIÓN DE ESTACIONAMIENTO Y ALMACENAMIENTO

El tubo y la tobera se pueden estacionar en la parte trasera del aspirador para almacenarlos o guardarlos temporalmente durante el uso. **[11]**

## ACCESORIOS Y TOBERAS

Para obtener el mejor rendimiento y eficiencia energética <sup>#1</sup> se recomienda utilizar toberas adecuadas para las principales operaciones de limpieza. Estas toberas se indican en los diagramas con las letras **GP**, **HF** o **CA**.

Una tobera de tipo **GP** se puede utilizar para limpiar tanto alfombras, como suelos duros.

Una tobera de tipo **HF** es adecuada solo para la limpieza de suelos duros.

Una tobera de tipo **CA** es adecuada solo para la limpieza de alfombras.

Las demás toberas son accesorios para efectuar tareas de limpieza especializadas y se recomiendan solo para un uso ocasional.

Es importante indicar que este aspirador se suministra con una etiqueta energética de conformidad con el reglamento europeo (UE) 665/2013.

Si en la etiqueta aparece un círculo rojo de prohibición en el lado izquierdo, cubriendo el símbolo de la alfombra, esto indica que el aspirador no es adecuado para utilizarse en alfombras.

Si en la etiqueta aparece un círculo rojo de prohibición en el lado derecho, cubriendo el símbolo de suelos duros, esto indica que el aspirador no es adecuado para utilizarse en suelos duros.

**#1 NOTA:** La capacidad de recogida de polvo de las alfombras, la capacidad de recogida de polvo de los suelos duros y la eficiencia energética son de conformidad con los reglamentos de la Comisión (UE) 665/2013 y (UE) 666/2013.

Todos los accesorios pueden instalarse en la empuñadura de la manguera o en el extremo del tubo telescópico.

**Accesorio 2 en 1** – Combina varias funciones en un sólo accesorio: [V]

**Cepillo para polvo** – Para estanterías, marcos, teclados y demás áreas delicadas.

**Accesorio para rincones** – Para rincones y zonas de difícil acceso.

**Tobera Parquet\*** – Para suelos de parquet y demás suelos delicados. [Y]

**Tobera Mini Turbo eliminador de pelo de mascotas\*** - Emplee la tobera mini turbo para la limpieza de escaleras o para la limpieza a fondo de tejidos y demás áreas difíciles de limpiar. Especialmente adecuada para eliminar los pelos de las mascotas. [W]

**Tobera Mini Turbo eliminador de alérgenos\*** – Emplee la tobera mini turbo para la limpieza de escaleras o para la limpieza a fondo de tejidos y demás áreas difíciles de limpiar. Particularmente adecuada para eliminar los alérgenos. [X]

**IMPORTANTE:** No utilice la tobera Mini Turbo para alfombras que tengan flecos largos, estén hechas de piel animal, ni sean de un espesor superior a 15 mm. **No mantenga la tobera inmóvil mientras el cepillo esté girando.**

## MANTENIMIENTO DEL ASPIRADOR

### Vaciado del depósito de suciedad

Vacíe el depósito cuando la suciedad acumulada llegue al indicador de nivel máximo.

**IMPORTANTE:** Para que su aspirador mantenga un rendimiento óptimo, no deje que la suciedad acumulada supere el nivel máximo.

1. Apague el aspirador presionando el pedal de encendido/apagado y desenchufe el cable de alimentación. [8]
2. Presione el botón de liberación del depósito de suciedad y extraiga el ensamblaje del depósito del aspirador. [12]
3. Sujete el contenedor de polvo con una mano y presione el botón de vaciado para eliminar el polvo. [13]
4. Cierre la tapa del contenedor de polvo y vuelva a encajar en el cuerpo principal.

### Limpieza de los filtros lavables

El aspirador está dotado de filtro pre-motor y filtros de salida. Para mantener resultados de

limpieza perfectos, extraiga regularmente los filtros y sacúdalos contra un lado del contenedor de polvo para desincrustar la suciedad. Los filtros deben lavarse después de vaciar 5 veces el depósito o cuando los filtros acumulen una cantidad excesiva de suciedad.

**IMPORTANTE:** Todos los aspiradores sin bolsa requieren una limpieza regular de los filtros. De no hacerlo, sus filtros pueden producir bloqueos de aire, recalentamiento y fallos en el producto, lo cual puede invalidar la garantía.

**IMPORTANTE:** Compruebe los filtros con regularidad y manténgalos en buen estado.

**IMPORTANTE:** Asegúrese siempre de que los filtros estén totalmente secos antes del uso.

#### Para acceder al filtro Pre-Motor:

1. Extraiga el depósito del aspirador presionando el botón de liberación del depósito. [12]
2. Sujete el depósito de suciedad con una mano y con la otra extraiga la tapa del depósito girando en sentido contrario a las agujas del reloj. [14]
3. Extraiga el ensamblaje del filtro pre-motor del contenedor de polvo. [15]
4. Golpee suavemente y lave el filtro pre-motor. No usar agua caliente o detergentes. Eliminar el exceso de agua del filtro y dejar que se seque completamente antes de usarlo nuevamente. [20,21]
5. Vuelva a ensamblar el filtro pre-motor una vez que esté totalmente seco y vuelva a encajar en el aspirador.

#### Para acceder al filtro:

1. Desenganche la cubierta del filtro de salida de aire de la parte trasera del cuerpo principal del aspirador. [18]
2. Extraiga el filtro de salida de aire de la parte trasera del aspirador. [19]
3. Golpear levemente y lavar el filtro utilizando agua templada. No usar agua caliente o detergentes. Eliminar el exceso de agua del filtro y dejar que se seque completamente antes de usarlo nuevamente. [20,21]
4. Vuelva a encajar el filtro de salida de aire en la parte trasera del aspirador una vez que esté completamente seco y vuelva a encajar la cubierta del filtro de salida de aire.

**IMPORTANTE:** No utilice el aparato si el paquete de filtros no está instalado.

### Limpieza del contenedor de polvo / unidad de separación

Este equipo usa un sistema de separación exclusivo de Hoover. De ser necesario, se puede desmontar y limpiar la unidad de separación del contenedor de polvo.

1. Presione el botón de liberación del depósito de suciedad y extraiga el ensamblaje del depósito del aspirador. [12]
2. Sujete el depósito de suciedad con una mano y con la otra extraiga la tapa del depósito girando en sentido contrario a las agujas del reloj. [14]
3. Extraiga el ensamblaje del filtro pre-motor del ensamblaje del depósito de suciedad. Luego extraiga la unidad de separación multiciclónica del depósito de polvo tirando de ella. [15,16]
4. De ser necesario, utilice un paño para eliminar el exceso de polvo de la superficie de la unidad de separación multiciclónica. [17]
5. De ser necesario, aclare el contenedor de polvo con agua tibia. Lavar las superficies internas del depósito de polvo solo con agua. NO usar detergentes a base de jabón para lavar las partes internas del depósito de polvo.
6. Vuelva a montar el filtro pre-motor y el interno en el depósito de polvo.
7. Vuelva a montar la tapa del depósito de polvo en dicho depósito. Vuelva a encajar el depósito de polvo en el cuerpo principal del aspirador.

\*Solo algunos modelos

\*\* Sólo para algunos modelos, las toberas pueden variar según modelo.

## Eliminación de obstrucciones

1. Compruebe si el depósito de suciedad está lleno. En caso afirmativo, consulte el apartado "Vaciado del depósito de suciedad".
2. Si el depósito de suciedad está vacío y, aun así, hay poca potencia de aspiración:
  - A. ¿Es preciso limpiar los filtros? En caso afirmativo, consulte el apartado "Limpieza de los filtros lavables".
  - B. Compruebe si existe alguna otra obstrucción en el sistema - Utilice una varilla o una barra para eliminar cualquier obstrucción del tubo de extensión o de la manguera flexible.
  - C. Compruebe que el filtro pre-motor se encuentre instalado.
  - D. Compruebe si es necesario limpiar la unidad multiciclónica. En caso afirmativo, véase el capítulo "Limpieza de la unidad de separación"

## LISTA DE COMPROBACIONES POR EL USUARIO

Si surgiera algún problema con el producto, lleve a cabo las sencillas comprobaciones que se enumeran a continuación antes de llamar a su Servicio Técnico Hoover más cercano.

- ¿Hay suministro de corriente para el aspirador? Pruebe con otro aparato eléctrico.
- ¿El contenedor recolector de polvo está lleno? Véase el apartado "Mantenimiento del Aspirador".
- ¿Está obstruido el filtro? Véase el apartado "Mantenimiento del Aspirador".
- ¿Está obstruida la manguera o la tobera? Véase el apartado "Eliminar las obstrucciones del sistema".
- ¿Se ha recalentado el aspirador? En caso afirmativo, tardará aproximadamente 30 minutos en reiniciarse automáticamente.

## INFORMACIÓN IMPORTANTE

### Piezas de repuesto y consumibles Hoover

Utilice siempre piezas de repuesto originales de Hoover. Puede adquirirlas a través de su Servicio Técnico de Hoover. Cuando realice pedidos de piezas, indique siempre el número de modelo de su aspirador.

### Servicio técnico Hoover

Si en cualquier momento necesitara efectuar reparaciones, diríjase al servicio técnico de Hoover más próximo a su hogar.

### Calidad

Las fábricas de Hoover han sido sometidas a inspecciones de calidad independientes. Nuestros productos se fabrican de conformidad con un sistema de calidad que cumple los requisitos de la norma ISO 9001.

### Su garantía

Las condiciones de garantía para este aparato vienen definidas por nuestro representante en el país de venta. Puede obtener los detalles acerca de estas condiciones en el establecimiento donde haya adquirido este aparato. Debe mostrar la factura de compra o el recibo al hacer alguna reclamación en virtud de las condiciones de garantía.

Sujeto a cambios sin previo aviso.

## INSTRUCTIES VOOR VEILIG GEBRUIK

Dit toestel mag enkel gebruikt worden voor reiniging in het huis, zoals beschreven in deze gebruikersgids. Zorg ervoor dat u de instructies volledig begrijpt voordat u het apparaat in gebruik neemt.

Laat het toestel nooit aangesloten achter. Schakel het toestel altijd uit en verwijder de stekker uit het stopcontact na gebruik, of voor het reinigen van het toestel of bij elke onderhoudstaak.

Dit toestel kan gebruikt worden door kinderen vanaf 8 jaar en ouder en personen met verminderde lichamelijke, zintuiglijke of mentale capaciteiten of een gebrek aan ervaring of kennis indien ze toezicht of onderricht gehad hebben betreffende het veilig gebruik van het toestel en het begrip van de gevaren in kwestie. Kinderen mogen niet met het toestel spelen. Reinigings- en gebruiksonderhoud mag niet uitgevoerd worden door kinderen zonder toezicht.

Indien het stroomsnoer beschadigd is, onmiddellijk stoppen met het toestel te gebruiken. Om veiligheidsgevaar te vermijden, mag enkel een erkende HOOVER dienstingenieur de stroomkabel vervangen.

Houd handen, voeten, losse kleding en haar uit de buurt van roterende borstels.

Gebruik enkel verlengstukken, verbruiksartikelen of reserveonderdelen aanbevolen of geleverd door HOOVER.

**Statische elektriciteit:** Sommige tapijten kunnen een kleine opbouw van statische elektriciteit veroorzaken. Ontladingen van statische elektriciteit zijn onschadelijk voor uw gezondheid.

Gebruik je toestel nooit buiten of op natte oppervlaktes of om vocht op te nemen.

Raap geen harde of scherpe objecten op zoals lucifers, hete

assen, sigaretten of andere gelijkaardige items.

Spuit niet met ontvlambare vloeistoffen, reinigingsvloeistoffen, aerosols of hun dampen en zuig ze ook niet op.

Loop niet over het stroomsnoer wanneer je het toestel gebruikt of verwijder de stekker niet door aan het stroomsnoer te trekken.

Blijf dit toestel niet gebruiken wanneer het defect blijkt.

**HOOVER dienstverlening:** Om de blijvende veilige en efficiënte werking van dit toestel te verzekeren, bevelen we aan dat alle herstellingen uitgevoerd worden door een erkende HOOVER dienstingenieur.

Niet op het snoer staan of het snoer rond armen of benen winden terwijl je het toestel gebruikt.

Gebruik het toestel niet om dieren of mensen te reinigen.

Plaats het toestel niet boven je tijdens het reinigen van de trap.

#### Het milieu

Het symbool op dit toestel duidt aan dat dit toestel niet mag behandeld worden als huishoudelijk afval. In de plaats daarvan moet het overhandigd worden aan het geschikte verzamelpunt voor de recyclage van elektrische en elektronische uitrusting. U moet het toestel weggooien in overeenstemming met de lokale voorschriften voor afvalverwerking. Voor meer gedetailleerde informatie over behandeling, herstel en recyclage van dit toestel, gelieve je lokale gemeentebestuur te contacteren, je dienst voor huishoud- en afvalverwerking of de winkel waar je het toestel kocht.



**CE** Dit apparaat voldoet aan de Europese Richtlijnen 2014/35/EU, 2014/30/EU en 2011/65/EU.

CANDY HOOVER GROUP S.r.l. Via Privata Eden Fumagalli, 20861 Brugherio (MB) Italy

## ALLES OVER UW STOFZUIGER

- A. Snoerprolpedaal
- B. Deksel uitlaatfilter
- C. Uitlaat Filter
- D. Parkeerstand
- E. Aan/uit-knop
- F. Stofbak ontgrendelknop
- G. Stofreservoir
- H. Romp
- I. Slang
- J. Zuigkrachtregeling
- K. Handvat
- L. Telescopische buis
- M. Regelaar voor telescopische buis
- N. Keuzeknop vloertype\*
- O. & O1. Tapijt en vloermondstuk **(GP)\*\***
- O2. Tapijt Mondstuk. **(CA)\*\***
- O3. Mondstuk voor harde vloer **(HF)\*\***
- P. Klep stofreservoir
- Q. Ontgrendelknop klep stofreservoir
- R. Stofreservoir
- S. Multi-cyclone separatie-eenheid
- T. Pre-motor filter
- U. Deksel stofreservoir
- V. 2-in-1-accessoire
- W. Miniturbozuigmond voor dierenharen\*
- X. Miniturbozuigmond voor allergene stoffen\*
- Y. Parketzuigmond\*

## DE STOFZUIGER MONTEREN

Verwijder alle onderdelen uit de verpakking.

1. Steek de slang in de stofzuiger en klik deze erin vast. Verwijderen: druk de knop op het uiteinde van de slang in en trek de slang eruit. **[1]**
2. Sluit, indien noodzakelijk, het handvat van de slang aan op het bovenste uiteinde van de verlengbuis **[2]** of de accessoires.
3. Sluit, indien noodzakelijk, het onderste uiteinde van de verlengbuis aan op het tapijt- en vloermondstuk\*\* **[3]** of de accessoires.

## DE STOFZUIGER GEBRUIKEN

1. Trek het netsnoer uit de stofzuiger en steek de stekker in het stopcontact. Trek het snoer niet verder uit dan de rode markering. [4]
2. Stel de telescopische buis in op de gewenste hoogte door de instelknop naar boven te bewegen en het handvat naar boven of naar beneden te bewegen tot hij in de meest comfortabele stand staat. [5]
3. Tapijt en vloermondstuk\*\* - Druk op de keuzeknop op de zuigmond [6] om de juiste stand voor het vloertype in te stellen.

**Harde vloer** – De borstels wijzen naar beneden en beschermen zo de vloer.

**Tapijt** – Voor een grondigere reiniging worden de borstels omhoog gehaald.

### Tapijt en vloermondstuk\*\*: [7]

- **Reiniging van de harde vloer:** Druk de knop op het mondstuk naar de harde-vloer-stand en zet de schuifknop op het mondstuk op ALLE VLOERTYPEN. In deze stand worden de borstels, wielen en wisser omlaag gebracht om harde vloeren te beschermen. [7a]
  - **Standaardreiniging van tapijt en vloerkleden:** Druk de knop op het mondstuk naar de tapijtstand en zet de schuifknop op het mondstuk op ALLE VLOERTYPEN. In deze stand worden de borstels en de wisser omhoog gehaald en zijn de wielen omlaag gebracht zodat eenvoudig over elk oppervlak kan worden bewogen. [7b]
  - **Grondige reiniging van tapijt:** Druk de knop op het mondstuk naar de tapijtstand en zet de schuifknop op het mondstuk op GRONDIGE REINIGING TAPIJT. In deze stand zijn de borstels, wielen en wisser omhoog gehaald voor een grondigere reiniging van het tapijt. [7c]
- WAARSCHUWING: Om eventuele krassen op houten vloeren te vermijden, wordt geadviseerd om de knop niet op de harde-vloer-stand te plaatsen en de schuifknop niet op de grondige reiniging tapijt te zetten.**
4. Zet de stofzuiger aan door het aan/uit-pedaal op de stofzuigeenheid in te drukken. [8]
  5. Stel de zuigregulator op het handvat in op het gewenste niveau. [9]
  6. Schakel aan het einde van gebruik uit door te drukken op de aan/uit pedaal. Koppel het snoer los en druk op de spoelpedaal van het snoer om het snoer terug in de reiniger op te winden. [10]

### PARKEER- en OPBERGSECTIE

De buis en het mondstuk kunnen aan de achterkant van de stofzuiger worden aangebracht voor het opbergen of tijdelijk opbergen tijdens het gebruik. [11]

## ACCESSOIRES EN ZUIGMONDEN

Voor optimaal functioneren en energie efficiëntie<sup>#1</sup> is het aan te bevelen dat de juiste mondstukken voor de voornaamste schoonmaak taken worden gebruikt. Deze mondstukken worden in de diagrammen afgebeeld met de letters **GP**, **HF** of **CA**.

Een **GP** type mondstuk kan gebruikt worden voor schoonmaak van zowel tapijt als harde vloer.

Een **HF** type mondstuk is enkel geschikt voor gebruik op harde vloer.

Een **CA** type mondstuk is enkel geschikt voor gebruik op tapijt.

De andere mondstukken zijn accessoires voor gespecialiseerde schoonmaaktaken en worden

<sup>#1</sup>Alleen bepaalde modellen

\*\* Alleen bepaalde modellen, mondstukken kunnen variëren afhankelijk van het model.

alleen aanbevolen voor occasioneel gebruik.

Het is belangrijk om op te merken dat deze stofzuiger een Energielabel heeft zoals wordt vereist door Europese Regelgeving (EU) 665/2013.

Als er links op het label over het tapijt symbool een rode verbodcirkel staat, betekent dit dat de stofzuiger niet geschikt is voor gebruik op tapijten.

Als er rechts op het label over het harde vloer symbool een rode cirkel van verbod staat, betekent dit dat de stofzuiger niet geschikt is voor gebruik op harde vloeren.

**#1 OPMERKING:** Stofopname capaciteit tapijt, stofopname capaciteit harde vloer en energie efficiëntie in overeenstemming met Commissie Regelgeving (EU) 665/2013 en (EU) 666/2013.

Alle accessoires kunnen op de handgreep van de slang of op het uiteinde van de telescopische buis worden geplaatst.

**2 in 1 hulpstuk** – Combineert diverse functies in één hulpstuk: [V]

**Stofborstel** – Voor boekenrekken, kozijnen, toetsenborden en andere delicate plaatsen.

**Kierenmondstuk** – Voor hoeken en moeilijk bereikbare plaatsen.

**Parketuigmond\*** – Voor parketvloeren en andere kwetsbare vloeren. [Y]

**Miniturbozuigmond voor dierenharen\*** - Gebruik het miniturbomondstuk voor trappen of voor het grondig reinigen van textielproducten en andere moeilijk schoon te maken plekken. Vooral geschikt voor het verwijderen van haren van huisdieren. [W]

**Miniturbozuigmond voor allergene stoffen\*** – Gebruik het miniturbomondstuk voor trappen of voor het grondig reinigen van textielproducten en andere moeilijk schoon te maken plekken. Vooral geschikt voor het verwijderen van allergene stoffen. [X]

**BELANGRIJK:** Gebruik het miniturbomondstuk niet op tapijten met lange franjes, op dierenhuiden of op tapijten dikker dan 15 mm. **Houd het mondstuk niet stil wanneer de borstel draait.**

## ONDERHOUD STOFZUIGER

### De stofcontainer leegmaken

Maak het stofreservoir leeg zodra het stof de markering 'max. niveau' in het reservoir bereikt.

**BELANGRIJK:** Zorg ervoor dat het stof niet boven het aangegeven maximale niveau uitkomt als u wilt dat uw stofzuiger optimaal presteert.

1. Schakel de stofzuiger uit door op de on/off-knop te drukken en haal de voedingskabel uit het stopcontact. [8]
2. Druk de stofbak ontgrendelknop in en verwijder de stofbak uit de stofzuiger. [12]
3. Houd het stofreservoir met één hand vast en druk met de andere hand op het stofreservoir ledig knop om het stof te verwijderen. [13]
4. Sluit de klep van het stofreservoir en plaats het in de behuizing terug.

### De wasbare filters reinigen

De stofzuiger is uitgerust met een pre-motorfilter en een uitlaatfilter. Verwijder de filters regelmatig en klop tegen de zijkant van de stofbak om het stof los te krijgen en de optimale

zuigprestaties te behouden. Was de filters elke 5 keer dat de stofbak leeggemaakt wordt of wanneer de filters te veel stof bevatten.

**BELANGRIJK:** Bij alle zakloze stofzuigers moeten de filters regelmatig worden gereinigd. Het niet reinigen van de filters kan leiden tot verstopping, oververhitting en storing van het product. Hierdoor kan uw garantie komen te vervallen.

**BELANGRIJK:** Controleer en reinig de filters regelmatig.

**BELANGRIJK:** Controleer altijd of de filters volledig droog zijn voordat u de stofzuiger gebruikt.

#### Om bij de pre-motor filter te komen:

1. Verwijder het stofreservoir uit de stofzuiger door de stofreservoir ontgrendelknop in te drukken. [12]
2. Houd het stofreservoir met één hand vast en verwijder het deksel van het stofreservoir met de andere hand door het linksom te draaien. [14]
3. Verwijder het pre-motorfilter uit de stofbak. [15]
4. Voorzichtig op de pre-motor filter tikken en deze wassen. Gebruik geen heet water of schoonmaakmiddelen. Verwijder het overtollige water uit de filter en laat hem helemaal opdrogen alvorens hem opnieuw te gebruiken. [20,21]
5. Eenmaal volledig droog, hermonteer de pre-motor samenstelling en plaats terug in de stofzuiger.

#### Voor toegang tot het uitlaatfilter:

1. Klik het deksel van de uitlaatfilter los van de achterzijde van de stofzuiger. [18]
2. Verwijder de uitlaatfilter van de achterkant van de stofzuiger. [19]
3. Tik voorzichtig op de filter en spoel deze vervolgens met warm water af. Gebruik geen heet water of schoonmaakmiddelen. Verwijder het overtollige water uit de filter en laat hem helemaal opdrogen alvorens hem opnieuw te gebruiken. [20,21]
4. Eenmaal volledig droog, plaats de uitlaatfilter terug op de achterzijde van de stofzuiger en plaats het deksel van de uitlaatfilter terug.

**BELANGRIJK:** Gebruik het product niet zonder filterpakket.

#### Het schoonmaken van de stofcontainer/ scheidingseenheid

Deze stofzuiger is uitgerust met een separatie-eenheid dat uniek is bij Hoover. Wanneer nodig kan de separatie-eenheid uit de stofzuiger gehaald en gereinigd worden.

1. Druk de stofbak ontgrendelknop in en verwijder de stofbak uit de stofzuiger. [12]
2. Houd het stofreservoir met één hand vast en verwijder het deksel van het stofreservoir met de andere hand door het linksom te draaien. [14]
3. Verwijder het pre-motorfilter uit het stofreservoir. Trek de multi-cyclone separatie-eenheid uit het stofreservoir. [15,16]
4. Verwijder, indien noodzakelijk, overtollig stof met een doek van het oppervlak van de multi-cyclone separatie-eenheid. [17]
5. Spoel, indien noodzakelijk, het stofreservoir met lauwwarm water. Was de interne vlakken van de vuilnisbak alleen af met water. GEBRUIK GEEN zeep of afwasproducten om de binnenzijde van de vuilnisbak te reinigen.
6. Plaats de inwendige filter en de pre-motorfilter terug in het stofreservoir.

\*Alleen bepaalde modellen

\*\* Alleen bepaalde modellen, mondstukken kunnen variëren afhankelijk van het model.

7. Breng het deksel weer op het stofreservoir aan. Plaats het stofreservoir terug in de stofzuiger.

#### Een verstopping verwijderen

1. Controleer of het stofreservoir vol is. Zo ja, zie 'Het stofreservoir leegmaken'.
2. Wanneer het stofreservoir leeg is, maar de zuigkracht nog steeds niet voldoende is:
  - A. Moeten de filters worden gereinigd? Zo ja, zie 'Wasbare filters reinigen'.
  - B. Controleer of niets het systeem blokkeert. - Gebruik een staaf of stok om eventuele verstoppingen uit de verlengbuis of zuigslang te verwijderen.
  - C. Controleer of de pre-motorfilter is geplaatst.
  - D. Controleer of de scheidingseenheid gereinigd moet worden. Zie 'Reinigen van de separatie-eenheid'.

#### CHECKLIST GEBRUIKER

Mocht u problemen ondervinden met dit product, loop dan deze eenvoudige checklist na voordat u uw Hoover dealer belt.

- Krijgt de stofzuiger wel stroom? Controleer dit met een ander elektrisch toestel.
- Is het stofreservoir vol? Zie 'Onderhoud stofzuiger'.
- Is de filter verstopt? Zie 'Onderhoud stofzuiger'.
- Is de slang of de zuigmond geblokkeerd? Zie 'Verstoppingen uit het systeem verwijderen'.
- Is de stofzuiger oververhit? Zo ja, dan duurt het ongeveer dertig minuten voordat het toestel weer gebruiksklaar is.

#### BELANGRIJKE INFORMATIE

##### Originele reserveonderdelen en toebehoren van Hoover

Gebruik uitsluitend originele reserveonderdelen van Hoover. Deze zijn verkrijgbaar bij uw Hoover dealer. Als u onderdelen bestelt, vermeld dan altijd het modelnummer.

##### Hoover Service

Mocht u gebruik willen maken van de service, neem dan contact op met uw Hoover dealer.

##### Kwaliteit

De fabrieken van Hoover zijn op onafhankelijke wijze getest op kwaliteit. Onze producten worden vervaardigd aan de hand van een kwaliteitssysteem dat voldoet aan de vereisten van ISO 9001.

##### Uw garantie

De garantievoorwaarden voor dit toestel worden bepaald door onze vertegenwoordiger in het land waar het toestel wordt verkocht. Bijzonderheden omtrent deze voorwaarden zijn verkrijgbaar bij de dealer waar u het toestel hebt gekocht. Wanneer u aanspraak wilt maken op deze garantie, dan moet u het verkoop- of ontvangstbewijs voorleggen.

Wijzigingen zijn zonder voorafgaande kennisgeving mogelijk.

## INSTRUKTIONER FOR SIKKER ANVENDELSE

Denne støvsuger må kun anvendes til almindelig husholdningsrengøring, som beskrevet i brugsanvisningen. Du bør sikre dig, at du har forstået indholdet af denne brugervejledning fuldt ud, inden apparatet tages i brug.

Efterlad ikke støvsugeren tilsluttet. Inden du rengør eller foretager vedligeholdelse af støvsugeren, skal du altid slukke for den og tage stikket ud af stikkontakten.

Dette udstyr kan anvendes af børn, der er 8 år gamle og derover, og af personer med nedsatte fysiske, sensoriske eller mentale evner eller manglende erfaring og viden, hvis de er under opsyn eller vejledning i at bruge udstyret på en sikker måde og forstår de risici, der er involveret. Børn må ikke lege med udstyret. Rengøring og vedligeholdelse må ikke udføres af børn uden en voksen tilstede.

Hvis netledningen er ødelagt, skal du stoppe med at bruge støvsugeren øjeblikkeligt. For at undgå en sikkerhedsrisiko, skal en autoriseret HOOVER servicetekniker udskifte strømkablet.

Hold hænder, fødder, løstsiddende tøj og hår væk fra roterende børster.

Brug kun tilbehør, forbrugsvarer eller reservedele, som anbefalet eller leveret af Hoover.

**Statisk elektricitet:** Visse tæpper kan forårsage en mindre akkumulering af statisk elektricitet. Udledning af statisk elektricitet er ikke sundhedsfarligt.

Brug ikke støvsugeren udendørs eller på våde overflader eller til opugning af væsker.

Undlad at opsuge hårde eller skarpe genstande, tændstikker, varm aske, cigaretstumper eller andre lignende genstande.

Undlad at sprøjte med eller opsuge brændbare væsker, rensesæsker, spraydåser eller spray fra disse.

Undlad at køre over strømkablet når du bruger din støvsuger og undlad at trække stikket ud ved at trække i strømkablet, men hold fast i stikket.

Lad være med at fortsætte at bruge støvsugeren, hvis den ser ud til at være defekt.

**HOOVER-SERVICE:** For at sikre løbende sikker og effektiv drift af dette apparat anbefaler vi, at eftersyn eller reparationer udelukkende udføres af en autoriseret Hoover-servicetekniker.

Snur hverken ledningen om arme eller ben eller stå på den, mens du bruger støvsugeren.

Undlad at bruge apparatet på at rengøre mennesker eller dyr.

Undlad at lade støvsugeren stå oven for dig, når du rengør trapper.

### Miljøet

Symbolet på produktet angiver, at produktet ikke må behandles som husholdningsaffald. Det skal i stedet afleveres til en relevant affaldsstation for genbrug af elektrisk og elektronisk udstyr. Bortskaffelse skal ske i overensstemmelse med de lokale miljøregler vedrørende bortskaffelse af affald. For mere detaljeret information om behandling, genvinding og genbrug af dette produkt, henvend dig da til den lokale kommune, til dit affaldsselskab eller den forretning hvor du købte produktet.



**CE** Dette apparat overholder bestemmelserne i EU-direktiverne 2014/35/EU, 2014/30/EU og 2011/65/EU.

CANDY HOOVER GROUP S.r.l. Via Privata Eden Fumagalli, 20861 Brugherio (MB) Italy



## KEND DIN STØVSUGER

- A. Pedalknap til ledningsoprulning
- B. Dæksel til udsugningsfilter
- C. Udsugningsfilter
- D. Parkeringslås
- E. Tænd/sluk-pedalknap
- F. Støvbeholderens udløserknap
- G. Støvbeholder
- H. Hoveddel
- I. Slange
- J. Sug kontrol
- K. Håndtag
- L. Teleskoprør
- M. Reguleringsanordning til teleskoprør
- N. Gulvtypevælger\*
- O. & O1. Tæppe- og gulvmundstykke (GP)\*\*
- O2. Tæppemundstykke (CA)\*\*
- O3. Mundstykke til hårde gulve (HF)\*\*
- P. Støvbeholderens låg
- Q. Støvbeholderens udløserknap
- R. Støvbeholder
- S. Multi-cyklonisk separationsenhed
- T. Præ-Motor Filter
- U. Støvbeholderens dæksel
- V. 2-i-1 tilbehør
- W. Mini-turbomundstykke til dyrehår\*
- X. Mini-turbomundstykke til allergener\*
- Y. Parketgulvs mundstykke\*

## MONTERING AF STØVSUGEREN

Udtag alle komponenter fra emballagen.

1. Tilslut slangen til støvsugerens hoveddel, og sørg for, at den klikker og låses på plads. Sådan tages den af: tryk blot på knappen knappen for enden af slangen, og træk. [1]
2. Tilslut slangehåndtaget til den øverste del af forlængerrøret [2], eller evt. andet tilbehør.
3. Tilslut forlængerrørets nedre del til tæppe- og gulvmundstykket\*\* [3] eller evt. andet tilbehør.

## BRUG AF STØVSUGEREN

1. Træk strømledningen ud, og sæt den i stikkontakten. Træk ikke ledningen længere ud end det røde mærke. [4]
2. Indstil teleskoprøret i den ønskede højde ved at skubbe teleskoprørets justeringsanordning opad og løfte eller sænke håndtaget til den ønskede rengøringsposition. [5]

\*Kun til visse modeller

\*\* Kun på visse modeller kan mundstykkerne variere alt efter modeltype

3. Tæppe- og gulvmundstykke\*\* - Tryk på gulvtypevælgeren på mundstykket [6] for at vælge den ideelle indstilling afhængig af gulvtypen.

**Hårdt gulv** – Børsterne sænkes for at beskytte gulvet.

**Tæppe** – Børsterne løftes for dyb rengøring.

### Tæppe- og gulvmundstykke\*\*: [7]

- **Rengøring af hårde gulve:** Tryk pedalen på mundstykket i indstilling for hårde gulve og justér glideren på mundstykket til ALLE GULVE. I denne stilling sænkes børsterne, hjulene og viskerbladet for at beskytte hårde gulve. [7a]
  - **Standardrengøring af gulvtæpper og løse tæpper:** Tryk pedalen på mundstykket i indstilling for gulvtæpper og justér glideren på mundstykket til ALLE GULVE. I denne stilling løftes børsterne og viskerbladet, mens hjulene sænkes for at give en perfekt bevægelsesfrihed på sådanne overflader. [7b]
  - **Dyb rengøring af gulvtæpper:** Tryk pedalen på mundstykket i indstilling for gulvtæpper og justér glideren på mundstykket til DYB RENGØRING AF GULVTÆPPER. I denne stilling løftes børsterne, hjulene og viskerbladet for en dybere rengøring af dit gulvtæppe. [7c]
- ADVARSEL: Det anbefales at undgå eventuelle ridser af trægulve, da pedalen ikke er sat i indstillingen for hårde gulve og glideren på dyb rengøring af gulvtæpper.**
4. Sluk for støvsugeren ved at trykke på tænd/sluk-knappen på støvsugerens korpus. [8]
  5. Justér sugekontrollen på håndtaget til det ønskede niveau. [9]
  6. Sluk efter brug ved at trykke på tænd/sluk-pedalknappen. Træk stikket ud af stikkontakten, og tryk på pedalen til ledningsoprulning for at rulle ledningen tilbage i støvsugeren. [10]

### AFSNIT OM OPBEVARING

Røret og mundstykket kan placeres på bagsiden af støvsugeren for opbevaring eller midlertidig opbevaring under brug. [11]

## TILBEHØR OG MUNDSTYKKER

For at opnå den bedste ydeevne og effektive udnyttelse af energien #1, anbefales det at de korrekte mundstykker anvendes til de vigtigste rengøringsformål. Disse mundstykker er vist i illustrationerne ved bogstaverne **GP**, **HF** og **CA**.

Mundstykketypen **GP** anvendes for at rengøre både tæpper og hårde gulve.

Mundstykketypen **HF** er kun velegnet til brug på hårde gulve.

Et mundstykke af typen **CA** er kun velegnet på tæpper

De andre mundstykker er tilbehør for specielle rengøringsopgaver og er kun anbefalede til lejlighedsvis anvendelse.

Det er vigtigt at være opmærksom på at denne støvsuger er forsynet med Energimærke som påkrævet ved Europæisk Bekendtgørelse (EU) 665/2013.

Hvis etiketten viser en rød forbudscirkel til venstre, der dækker symbolet for tæpper, indikerer dette, at støvsugeren ikke er velegnet til brug på tæpper.

Hvis etiketten viser en rød forbudscirkel til højre, der dækker symbolet for hårde gulve, indikerer dette, at støvsugeren ikke er velegnet til brug på hårde gulve.

#1 **BEMÆRK:** Evnen til at suge støv op fra tæpper, evnen til at suge støv op fra hårde gulve og

energimærkning er i overensstemmelse med Kommissionens Bekendtgørelser (EU) 665/2+13 og (EU) 666/2013

Alt tilbehør kan monteres på slangens håndtag eller for enden af teleskoprøret.

**2-i-1 værktøj** – Kombinerer flere funktioner i et redskab: [V]

**Børstemundstykke** – Til bogreoler, rammer, tastaturer og andre sarte områder.

**Fugemundstykke** – Til hjørner og områder, der er vanskelige at komme til.

**Parketgulvs mundstykke\*** – Til parketgulve og andre sarte gulve. [Y]

**Mini-turbomundstykke til dyrehår\*** – Brug mini-turbomundstykket på trapper eller til rengøring af tekstiloverflader i dybden og andre områder, der er svære at rengøre. Især velegnet til fjernelse af dyrehår. [W]

**Mini-turbomundstykke til allergener\*** – Brug mini-turbomundstykket på trapper eller til rengøring af tekstiloverflader i dybden og andre områder, der er svære at rengøre. Især velegnet til fjernelse af allergener. [X]

**VIGTIGT:** Brug ikke minitUrbo-Mundstykkerne på tæpper med lange frynser, skind og på tæppefliser, der er dybere end 15 mm. **Hold ikke mundstykket stille, mens børsten roterer.**

## VEDLIGEHOJDELSE AF STØVSUGEREN

### Tømning af støvbeholderen

Når støvet når maksimumsindikatoren i beholderen, skal støvbeholderen tømmes.

**VIGTIGT:** For at opnå optimal ydelse må støvet ikke nå højere end til maks.niveauet.

1. Sluk støvsugeren ved at trykke på tænd/sluk-pedalen, og tag ledningen ud. [8]
2. Tryk på udløsningsknappen til støvbeholderen, og tag støvbeholderen ud af støvsugeren. [12]
3. Hold støvbeholderen med den ene hånd, og tryk på knappen til tømning af støvbeholderen for at tømme den. [13]
4. Luk støvbeholderens låg, og monter beholderen på hoveddelen igen.

### Rengøring af de vaskbare filtre

Støvsugeren er udstyret med præmotor- og udsugningsfilter. For at opretholde optimal rengøringsydelse skal filtrene regelmæssigt fjernes og bankes mod siden af støvbeholderen for at frigive støv. Filtrene skal vaskes efter 5 tømninger af kassetten, eller når filtrene indeholder større mængder støv.

**VIGTIGT:** Alle poseløse støvsuger kræver regelmæssig rensning af filtre. Hvis du ikke renser din filtre, kan det resultere i luftblokering, overophedning og beskadigelse af produktet. Dette kan gøre din garanti ugyldig.

**VIGTIGT:** Kontroller og vedligehold filtrene regelmæssigt.

**VIGTIGT:** Sørg altid for, at filtrene er helt tørre før brug.

### Sådan får du adgang til for-motorfilteret:

1. Tag støvbeholderen ud af støvsugeren ved at trykke på støvbeholderens udløsningskanp. [12]
2. Hold støvbeholderen med den ene hånd og fjern dækslet til støvbeholderen ved at dreje

\*Kun til visse modeller    \*\* Kun på visse modeller kan mundstykkerne variere alt efter modeltype

3. det mod uret med den anden hånd. [14]
3. Fjern præmotorfilteret fra støvbeholderen. [15]
4. Bank forsigtigt filteret og vask det. Brug ikke meget varmt vand eller rengøringsmidler Fjern det overskydende vand fra filteret, og lad det tørre helt, før det genbruges. [20,21]
5. Genmonter præmotorfilteret når det er helt tørt og sæt det tilbage på støvsugeren.

### Adgang til udblæsningsfilteret:

1. Afhægt dækslet til udblæsningsfiltret fra bagenden af støvsugerens hoveddel. [18]
2. Fjern udsugningsfilteret fra støvsugerens bagende. [19]
3. Bank filteret forsigtigt, og vask det med varmt vand. Brug ikke meget varmt vand eller rengøringsmidler Fjern det overskydende vand fra filteret, og lad det tørre helt, før det genbruges. [20,21]
4. Sæt udsugningsfilteret tilbage på støvsugerens bagende, når det er helt tørt og sæt dækslet til udsugningsfilteret på igen.

**VIGTIGT:** Produktet må ikke bruges uden filterpakken monteret.

### Rengøring af støvbeholderen / separeringsenheden

Denne støvsuger har en separeringsenhed, som kun findes hos Hoover. Om nødvendigt, kan separationsenheden afmonteres fra støvbeholderen og rengøres.

1. Tryk på udløsningsknappen til støvbeholderen, og tag støvbeholderen ud af støvsugeren. [12]
2. Hold støvbeholderen med den ene hånd og fjern dækslet til støvbeholderen ved at dreje det mod uret med den anden hånd. [14]
3. Fjern præmotorfilteret fra støvbeholderen. Træk den multi-cykloniske separationsenhed ud af støvbeholderen. [15,16]
4. Om nødvendigt, brug en klud til at fjerne overskydende støv fra den multi-cykloniske separationsenheds overflade. [17]
5. Om nødvendigt, skyl støvbeholderen med lunken vand. Vask kun beholderens indvendige flader med vand. Brug IKKE sæbemidler til afvaskning af støvbeholderens indvendige dele.
6. Monter det indvendige filter og præmotorfilteret i støvbeholderen igen.
7. Monter støvbeholderens dæksel igen på støvbeholderen. Sæt støvbeholderen i støvsugerens hoveddel igen.

### Fjernelse af en tilstopning

1. Kontroller, om støvbeholderen er fuld. Hvis det er tilfældet, skal du se "Tømning af støvbeholderen".
2. Hvis støvbeholderen er tom, men suget stadig er lavt:
  - A. Trænger filtrene til at blive rensede? Hvis det er tilfældet, skal du se "Rensning af de vaskbare filtre".
  - B. Kontrollér, om der er andre tilstopninger i systemet - Brug en stang eller lignende til at fjerne eventuelle tilstopninger fra forlængerrøret eller den bøjelige slange.
  - C. Kontroller, om for-motorfilteret er monteret.
  - D. Kontroller, om separeringsenheden skal renses. Se "Rengøring af separeringsenheden".

## BRUGERENS CHECKLISTE

Hvis du får et problem med produktet, skal du udfylde denne enkle brugercheckliste, før du ringer til den lokale Hoover-service.

- Virker strømforsyningen til støvsugeren? Kontroller venligst på et andet elektrisk apparat.

- Er støvbeholderen overfylt? Se venligst under "Vedligeholdelse af støvsugeren".
- Er filteret tilstoppet? Se venligst under "Vedligeholdelse af støvsugeren".
- Er slangen eller mundstykket tilstoppet? Se "Sådan fjerner du en tilstopning fra systemet".
- Er støvsugeren overophedet? Hvis den er, vil det vare ca. 30 minutter at nulstille automatisk.

## VIGTIGE OPLYSNINGER

### Hoover reservedele og forbrugsstoffer

Udskift altid dele med ægte Hoover reservedele. Disse fås fra Hoovers reservedelsforhandler, check [www.hoover.dk](http://www.hoover.dk) Når du bestiller dele, skal du altid opgive modelnummer.

### Hoover-service

Hvis du ønsker service på dine produkter, skal du kontakte det lokale Hoover-servicekontor.

### Kvalitet

Hoovers fabrikker er blevet vurderet uafhængigt for kvalitet. Vores produkter fremstilles med brug af et kvalitetssystem, der opfylder kravene i henhold til ISO 9001.

### Din reklamationsret

Garantibetingelserne for dette apparat er som defineret af vores repræsentant i det land, hvor det er solgt. Oplysninger vedrørende disse betingelser kan indhentes hos den forhandler, apparatet er købt hos. Kvitteringen skal fremvises i forbindelse med ethvert krav under disse garantibetingelser.

Ret til ændringer uden varsel forbeholdes

## INSTRUKSJONER FOR SIKKER BRUK

Dette apparatet må kun brukes til husrengjøring, og slik denne bruksanvisningen beskriver. Sørg for at denne veiledningene er forstått fullstendig før du bruker apparatet.

Apparatet må ikke forlates mens det er tilkoblet strømmettet. Slå alltid av apparatet og koble fra støpselet etter bruk samt før apparatet rengjøres eller vedlikeholdes.

Apparatet kan brukes av barn fra 8 år, og av personer med nedsatte fysiske, sanselige eller mentale evner, eller manglende erfaring og kunnskap, dersom de er under oppsyn eller har fått opplæring i sikker bruk av apparatet og forstår farene bruk av apparatet kan medføre. Barn skal ikke leke med apparatet. Rengjøring og vedlikehold skal ikke utføres av barn uten oppsyn.

Bruken av apparatet må opphøre umiddelbart dersom strømledningen er skadet. Unngå sikkerhetsfarer ved å la en autorisert HOOVER-tekniker skifte ut strømledningen.

Hold hender, føtter, løse klær og hår unna roterende børster.

Bruk kun tilbehør, forbruksvarer eller reservedeler som anbefales eller leveres av HOOVER.

**Statisk elektrisitet:** Enkelte tepper kan bygge opp små mengder statisk elektrisitet. Utladning av statisk elektrisitet er ikke helseskadelig.

Du må ikke bruke apparatet utendørs, på våte overflater eller til å støvsuge væske.

Du må ikke støvsuge harde eller skarpe objekter, varm aske, sigarettneiper eller andre liknende gjenstander.

Apparatet må ikke utsettes for eller støvsuge opp brennbare væsker, rengjøringsmidler, aerosoler eller damp fra slike væsker.

Unngå å kjøre over ledningen eller trekke ut støpselet under bruk.

All bruk av apparatet må opphøre hvis det viser tegn på feilfunksjon.

**HOOVER-service:** For å sikre at apparatet fortsetter å fungerer på en trygg og effektiv måte, anbefaler vi at service- og reparasjonsarbeid kun utføres av autoriserte HOVER-teknikere.

Du må ikke stå på ledningen eller la den vikle seg rundt armene eller bena dine under bruk.

Du må ikke bruke apparatet til å rengjøre dyr eller mennesker.

Apparatet må ikke være plassert ovenfor deg under rengjøring av trapper.

#### Miljøet

Symbolet på dette apparatet indikerer at det ikke kan betraktes som husholdningsavfall. Ved avhending må apparatet overleveres til en egnet miljøstasjon for resirkulering av elektrisk og elektronisk utstyr. Avhendingen må gjennomføres i samsvar med lokale miljøforskrifter for avfallshåndtering. Du kan få mer detaljert informasjon om avfallsbehandling, gjenvinning og resirkulering av dette apparatet ved å ta kontakt med vårt nærmeste lokalkontor, renovasjonsetaten eller forretningen du kjøpte apparatet hos.



**CE** Dette apparatet er i overensstemmelse med EU-direktivene 2014/35/EU, 2014/30/EU og 2011/65/EU.

CANDY HOOVER GROUP S.r.l. Via Privata Eden Fumagalli, 20861 Brugherio (MB) Italy

### BLI KJENT MED STØVSUGEREN DIN

- A. Fotpedal for innrulling av ledning
- B. Avgassfilterets deksel
- C. Avgassfilter
- D. Parkeringsspor
- E. På/av-knapp
- F. Utløserknapp for støvbeholder
- G. Støvbeholderenhet
- H. Hoveddel
- I. Slange
- J. Sugeregulator
- K. Håndtak
- L. Teleskoprør
- M. Teleskoprørjustering
- N. Gulvtypevelger\*
- O. & O1. Munnstykke til teppe og gulv (**GP**)\*\*
- O2. Munnstykke for harde gulv (**CA**)\*\*
- O3. Dyse for harde gulv (**HF**)\*\*
- P. Støvbeholderklaff
- Q. Utløserknapp for støvbeholderklaff
- R. Støvbeholder
- S. Multisyklon-separasjonsenhet
- T. Pre-motor filter
- U. Støvbeholderlokk
- V. 2 i 1 Tilbehør
- W. Miniturbomunnstykke for dyrehår\*
- X. Miniturbomunnstykke for allergen\*
- Y. Munnstykke for parkett\*

### MONTERE STØVSUGEREN

Fjern alle komponenter fra emballasjen.

1. Koble slangen til støvsugerens hoveddel, og påse at den smetter på plass og låses fast. For å utløse: trykk inn knappen på slangen og trekk. [1]
2. Koble slangens håndtak til det øvre endestykket til forlengelsesrøret [2] eller til tilbehøret hvis påkrevd.
3. Koble forlengelsesrørets nedre del til teppe- og gulvmunnstykket\*\* [3] eller tilbehør, hvis nødvendig.

### BRUKE STØVSUGEREN

1. Trekk ut strømledningen og sett den inn i stikkkontakten. Ikke trekk ledningen utover det røde merket. [4]
2. Juster teleskoprøret til ønsket høyde ved å bevege teleskoprørjusteringen oppover og heve eller senke håndtaket for å gi en mest mulig komfortabel rengjøringsposisjon. [5]

3. Munnstykke til teppe og gulv\*\* - Trykk på gulvtypevelgeren på munnstykket [6] for å velge ideell rensemodus for gulvtypen.

**Hardt gulv** – Børstene senkes for å beskytte gulvet.

**Teppe** – Børsteen heves for en dypere rengjøring.

#### Munnstykke til teppe og gulv\*\*: [7]

- **Rengjøring av hardt gulv:** Trykk på pedalen på munnstykket for hard gulv-modus og juster glidebryteren på munnstykket til ALLE GULV. I denne posisjonen vil børster, hjul og viskeblad senkes for å beskytte harde gulv. [7a]
  - **Standard rengjøring av Tepper & Pledd:** Trykk på munnstykkepedalen for teppemodus og juster glidebryteren til munnstykket for ALLE GULV. I denne posisjonen vil børster og viskerbladet løftes mens hjulene senkes for å lette rengjøringen på disse overflatene. [7b]
  - **Dyp tepperens:** Trykk på munnstykkets pedal i teppemodus og juster glidebryteren på munnstykket for DYP TEPPERENS. I denne posisjonen vil børster og viskerblad heves for en dypere rens av teppet. [7c]
- ADVARSEL: For å unngå oppskraping av tregulv er det anbefalt å ikke sette pedalen i hardt gulv - modus og glidebryteren på dyp gulvrens.**
4. Skru på støvsugeren ved å trykke på av/på-knappen på støvsugeren. [8]
5. Juster sugeregulatoren på håndtaket til ønsket nivå. [9]
6. Slå av apparatet ved å trykke på av/på-pedalen på enden. Koble fra støpselet og trykk på pedalen for innrulling av ledningen for å trekke ledningen inn i støvsugeren. [10]

#### AVSNITT OM PARKERING OG OPPBEVARING

Røret og munnstykket kan festes bak på støvsugeren til lagring eller midlertidig lagring når støvsugeren er i bruk. [11]

### TILBEHØR OG MUNNSTYKKER

For å oppnå optimal ytelse og energieffektivitet #1 anbefales det at det brukes riktig munnstykke for de største rengjøringsjobbene. Munnstykkene indikeres i diagrammene med bokstavene **GP**, **HF** eller **CA**.

Et **GP**-munnstykke kan brukes til å støvsuge både tepper og harde gulv.

Et **HF**-munnstykke egner seg kun for bruk på harde gulv.

Et **CA**-munnstykke egner seg kun for bruk på tepper.

De andre munnstykkene er tilbehør for spesialiserte rengjøringsjobber. Det anbefales kun å bruke disse til spesialiserte oppgaver.

Det er viktig å merke seg at denne støvsugeren leveres med en energietikett, slik det kreves av EU-forskrift (EU) 665/2013.

Hvis etiketten viser en rød "forbudt"-sirkel over teppesymbolet på venstre side, betyr dette at støvsugeren ikke er egnet for bruk på tepper.

Hvis etiketten viser en rød "forbudt"-sirkel over symbolet for harde gulv på høyre side, betyr dette at støvsugeren ikke er egnet for bruk på harde gulv.

#1 **MERK:** Evne til å støvsuge på tepper, evne til å støvsuge på harde gulv og energieffektivitet i henhold til kommisjonsforordningene (EU) 665/2013 og (EU) 666/2013.

Alt tilbehør kan monteres på enden av slangen eller enden på teleskoprøret.

**2 i 1-verktøy** – Kombinerer flere funksjoner i ett verktøy: [V]

**støvbørste** – for bokhyller, rammer, tastatur og andre ømfintlige områder.

**flatt munnstykke**, – til hjørner og steder som er vanskelige å komme til.

**Munnstykke for parkett\*** – for parkettgulv og andre ømtålige gulv. [Y]

**Miniturbomunnstykke for dyrehår\*** - Bruk miniturbomunnstykket i trapper eller for dyp rengjøring av tekstiler og andre områder som er vanskelige å rengjøre. Er spesielt godt egnet til fjerning av dyrehår. [W]

**Miniturbomunnstykke for allergen\*** – Bruk miniturbomunnstykket i trapper eller for dyp rengjøring av tekstiler og andre områder som er vanskelige å rengjøre. Er spesielt godt egnet til fjerning av allergener. [X]

**VIKTIG:** Ikke bruk miniturbomunnstykkene på tepper med lange frynser, dyreskinn eller på tepper med en tråddybde på mer enn 15 mm. **Munnstykket må holdes i stadig bevegelse mens børsten roterer.**

### VEDLIKEHOLD AV STØVSUGEREN

#### Tømme støvbeholderen

Når støvet når indikatoren for maksimalnivået i beholderen, må støvbeholderen tømmes..

**VIKTIG:** For å vedlikeholde optimal ytelse, ikke la støvmengden komme høyere opp enn maksimalnivået.

1. Skru av støvsugeren ved å dreie på på/av pedalen og kople fra strømledningen. [8]
2. Trykk på støvbeholderens utløserknapp og ta støvbeholderen ut av rengjøringsapparatet. [12]
3. Hold i støvbeholderen med én hånd og trykk på støvbeholderens tømmeknapp for å tømme beholderen for støv. [13]
4. Lukk støvbeholderens klaff og sett den tilbake i støvsugeren hoveddel.

#### Rengjøre de vaskbare filtrene

Støvsugeren er montert med pre-motorfilter og utløpsfilter. For å oppnå optimal rengjøring, fjern filtrene regelmessig og bank dem forsiktig mot siden av støvbeholderen for å løsne støvet. Filten skal vaskes for hver 5. gang de tømmes, eller når filtrene er fylt med for mye støv.

**VIKTIG:** Alle poseløse rengjøringsmaskiner trenger regelmessig rens av filtrene. Manglende rengjøring av filtrene kan resultere i tilstopping av luft, overopphetning og produktsvikt. Dette kan gjøre garantien ugyldig.

**VIKTIG:** Jevnlig kontroller og oppretthold filtrene.

**VIKTIG:** Påse alltid at filtrene er fullstendig tørre før bruk.

**For å få tilgang til Pre-Motor filteret:**

1. Trykk på støvbeholderens utløserknapp for å ta støvbeholderen ut av rengjøringsapparatet. [12]
2. Hold støvbeholderen med en hånd og med den andre hånden tar du av støvbeholderlokket ved å rotere det mot klokken. [14]
3. Fjern pre-motorfilteretenheten fra støvbeholderen. [15]
4. Bank forsiktig på og vask pre-motor-filteret. Ikke bruk for varmt vann eller vaskemidler. Tørk bort overflødig vann fra filteret, og la det tørke helt før du bruker det på nytt. [20,21]
5. Sett sammen formotorfilteret så snart det er helt tørt, og sett det tilbake i rengjøringsapparatet.

**Gjør følgende for å få tilgang til utsugingsfilteret:**

1. Løsne utslippsfilterdekselet fra baksiden av rengjøringsapparatets hoveddel. [18]
2. Ta utslippsfilteret ut fra rengjøringsapparatets bakside. [19]
3. Bank forsiktig på filteret og vask det med varmt vann. Ikke bruk for varmt vann eller vaskemidler. Tørk bort overflødig vann fra filteret, og la det tørke helt før du bruker det på nytt. [20,21]
4. Sett utslippsfilteret tilbake på baksiden av rengjøringsapparatet så snart det er helt tørt, og sett utslippsfilterdekselet tilbake på plass.

**VIKTIG:** Ikke bruk produktet uten montert filterpakke.

**Rengjøre støvbeholderen / separasjonsenheten**

Denne støvsugeren bruker et separasjonssystem som kun brukes av Hoover. Hvis nødvendig kan separasjonsenheten fjernes fra støvbeholderen og rengjøres.

1. Trykk på støvbeholderens utløserknapp og ta støvbeholderen ut av rengjøringsapparatet. [12]
2. Hold støvbeholderen med en hånd og med den andre hånden tar du av støvbeholderlokket ved å rotere det mot klokken. [14]
3. Fjern pre-motorfilteretenheten fra støvbeholderen. Fjern multisyklon-separasjonsenheten fra støvbeholderen ved å trekke i den. [15,16]
4. Hvis det trengs, bruk en klut for å fjerne støv fra overflaten på multisyklon-separasjonsenheten. [17]
5. Om nødvendig kan støvbeholderen vaskes i lunkent vann. Vask bare med vann på innsiden av støvbeholderen. IKKE BRUK såpe eller rengjøringsmidler til å vaske innsiden av støvbeholderen.
6. Sett det innvendige filteret og pre-motorfilteret tilbake i støvbeholderen.
7. Sett støvbeholderens lokk tilbake på støvbeholderen. Sett støvbeholderen tilbake i støvsugeren hoveddel.

**Fjerne en tilstopping**

1. Kontroller om støvbeholderen er full. Hvis det er tilfellet, sjekk "Tømme støvbeholderen".
2. Hvis støvbeholderen er tom men sugkraften er dårlig:
  - A. Trenger filteret å bli rensset? Hvis det er tilfellet, sjekk "Rense de vaskbare filterene".
  - B. Kontroller om det finnes andre tilstoppinger i systemet - bruk en stake eller annen lang gjenstand til å fjerne tilstoppingen fra røret eller slangen.
  - C. Kontroller om premotorfilteret er montert.
  - D. Kontroller om separasjonsenheten trenger å rengjøres. Se kapittelet "Rengjøre separasjonsenheten".

**SJEKKLISTE FOR BRUKER**

Hvis du har problemer med produktet, går du gjennom denne enkle kontrollisten før du ringer ditt lokale Hoover-servicekontor.

- Får støvsugeren tilført strøm? Prøv å koble annet elektrisk utstyr til stikkkontakten.
- Er støvbeholderen overfylt? Vennligst sjekk "Vedlikehold av Støvsugeren".
- Er filteret blokkert? Vennligst sjekk "Vedlikehold av Støvsugeren".
- Er slangen eller munnstykket blokkert? Vennligst sjekk "Fjerne en blokkering fra systemet".
- Har støvsugeren blitt overopphetet? Hvis det er tilfellet vil det ta omtrent 30 minutter før den blir automatisk nullstilt.

**VIKTIGE OPPLYSNINGER****Originaldeler fra Hoover**

Bruk alltid originale deler fra Hoover. Disse er tilgjengelige fra din lokale Hoover-forhandler eller direkte fra Hoover. Når du bestiller deler, må du alltid oppgi modellnummeret ditt.

**Hoover-service**

Hvis du på noe tidspunkt skulle trenge service, ber vi deg kontakte ditt lokale Hoover-servicekontor.

**Kvalitet**

Hoovers fabrikker har blitt uavhengig kvalitetsvurdert. Våre produkter produseres ved å bruke et kvalitetssystem som er i samsvar med ISO 9001.

**Din garanti**

Garantibetingelsene for dette apparatet er som definert av vår representant i det landet der det ble solgt. Detaljer vedrørende disse betingelsene fås fra forhandleren der apparatet ble kjøpt. Salgskvitteringen må fremvises ved fremsetting av krav under betingelsene i denne garantien..

Kan endres uten forvarsel.

## INSTRUKTIONER FÖR SÄKER ANVÄNDNING

Som beskrivs i denna bruksanvisning, får denna apparat endast användas vid städning av hemmet. Se till att du förstår anvisningarna helt innan du börjar använda maskinen.

Lämna aldrig denna apparat inkopplad. Stäng alltid av apparaten och dra ut kontakten ur vägguttaget efter användning eller innan rengöring av produkten eller utföring av en underhållsåtgärd.

Den här apparaten kan användas av barn från 8 års ålder och personer med en nedsatt fysisk, sensorisk eller mental förmåga och som inte har den erfarenhet och kunskaper som behövs, förutsatt att de övervakas eller har fått instruktioner om hur apparaten används på ett säkert vis och förstår riskerna som är involverade. Barn får inte leka med apparaten. Rengöring och underhåll som användaren ska utföra, får inte göras av barn utan överinseende.

Om nätsladden är skadad, sluta då omedelbart att använda produkten. För att undvika en säkerhetsrisker, måste en auktoriserad servicetekniker från HOOVER byta nätsladden.

Håll händer, fötter, lösa klädesplagg och hår borta från roterande borstar.

Använd endast tillbehör, förbrukningsartiklar eller reservdelar som rekommenderas eller levererats av HOOVER.

**Statisk elektricitet:** Vissa mattor kan orsaka en liten uppbyggnad av statisk elektricitet. Elektrostatiska urladdningar är inte hälsofarliga.

Använd inte apparaten ut ur dörrar eller på något vått underlag eller för våtupptagning.

Plocka inte upp hårda eller vassa föremål, tändstickor, het aska, fimpar eller andra liknande föremål.

Plocka inte upp eller spraya med brandfarliga vätskor, rengöringsmedel, aerosoler eller ångor.

Kör inte över sladden när du använder apparaten eller dra ut kontakten genom att dra i sladden.

Fortsätt inte att använda apparaten om den verkar defekt.

**HOOVER service:** För att säkerställa en fortsatt säker och effektiv drift av denna apparat rekommenderar vi att service eller reparationer endast utförs av en auktoriserad servicetekniker från HOOVER.

Stå inte på sladden eller vira den runt armar eller ben när du använder apparaten.

Använd inte apparaten för att rengöra djur eller människor.

Placera inte apparaten ovanför dig när du rengör trappor.

### Miljön

Symbolen på apparaten indikerar att denna produkt inte får behandlas som hushållsavfall. Den måste i stället lämnas in på uppsamlingsplats för återvinning av elektrisk och elektronisk utrustning. Avfallshanteringen ska utföras enligt de lokala miljöbestämmelserna. För mer information om hantering, återvinning och återanvändning av denna produkt, kontakta din kommun, lokala myndigheter och renhållningsverk eller den butik där du köpte apparaten.



Denna apparat uppfyller de europeiska direktiven 2014/35/EU, 2014/30/EU och 2011/65/EU.

CANDY HOOVER GROUP S.r.l. Via Privata Eden Fumagalli, 20861 Brugherio (MB) Italy

## BEKANTA DIG MED DAMMSUGAREN

- A. Pedal till sladdvinda
- B. Skydd för utblåsningfilter
- C. Utblåsningfilter
- D. Parkeringshake
- E. På/av-pedal
- F. Frigörningsknapp för dammbehållarens lock
- G. Montera dammbehållare
- H. Huvuddel
- I. Slang
- J. Sugreglerare
- K. Handtag
- L. Teleskoprör
- M. Teleskoprörsreglage
- N. Golvtypväljare\*
- O. & O1. Matt- och golvmunstycke (GP)\*\*
- O2. Munstycke för mattor (CA)\*\*
- O3. Munstycke för hårda golv (HF)\*\*
- P. Dammbehållarklaff
- Q. Knapp för frigörande av dammbehållarklaffen
- R. Dammbehållare
- S. Multi-cyklon separationsenhet
- T. Förmotorfilter
- U. Dammbehållarlock
- V. 2-i-1-tillbehör
- W. Miniturbomunstycke för borttagning av djurhår\*
- X. Allergenavlägsnande miniturbomunstycke\*
- Y. Parkettmunstycke\*

## SÄTTA IHOP DAMMSUGAREN

Ta ur alla delar ur förpackningen.

1. Koppla i slangen i dammsugarkroppen och se till så att den knäpper i läge. För att ta loss: tryck bara ned knappen på slangändan och dra. [1]
2. Anslut slanghandtaget till änden av det övre förlängningsröret [2] eller tillbehöret vid behov.
3. Koppla förlängningsrörets nedre ände till matt- och golvmunstycket\*\* [3] eller till tillbehöret vid behov.

## ANVÄNDA DAMMSUGAREN

1. Dra ur nätsladden och koppla in den i ett vägguttag. Dra inte ut sladden längre än till den röda markeringen. [4]
2. Ställ in teleskopröret på önskad längd genom att hålla i handtaget och flytta rörreglaget uppåt eller nedåt till den position som är bekvämast. [5]

3. Matt- och golvmunstycke\*\* - Tryck på golvtypväljaren på munstycket [6] för att välja rätt rengöringsläge för den aktuella golvtypen.

**Hårt golv** – Borstarna sänks ned för att skydda golvet.

**Matta** – Borstarna dras upp för djupare rengöring.

### Matt- och golvmunstycke\*\* : [7]

- **Rengöring av hårda golv:** Tryck på munstyckets pedal för att välja hårdgolvsläget och justera reglaget på munstycket till ALLA GOLV. I det här läget sänks borstar, hjul och torkarblad för att skydda hårda golv. [7a]
- **Rengöring av standardmattor:** Tryck pedalen på munstycket till mattläget och justera reglaget på munstycket till ALLA GOLV. I det här läget lyfts alla borstar och torkarblad medan hjuler sänks för att tillåta len enkel förflyttning på en sådan yta. [7b]
- **Djup mattrengöring:** Tryck pedalen på munstycket till mattläget och justera reglaget på munstycket till DJUP MATTRENGÖRING. I det här läget lyfts borstar, hjul och torkarblad för en djupare rengöring av din matta. [7c]

**VARNING: Vi rekommenderar att pedalen inte ställs in på hårdgolvsläget och reglaget på djup mattrengöring för att undvika eventuella repor på trägolv.**

4. Sätt på dammsugaren genom att trycka på på/av Pedalen på dammsugarkroppen. [8]
5. Justera sugregleraren på handtaget till önskad nivå. [9]
6. När du inte använder produkten, stänger du av den genom att trycka på On / Off pedalen. Koppla ur och tryck på pedalen till sladdvindan för att linda tillbaka nätsladden i dammsugaren. [10]

### PARKERINGS OCH FÖRVARINGS AVSNITT

Röret och munstycket kan placeras på dammsugarens baksida för långvarig förvaring eller tillfällig förvaring när den används. [11]

## TILLBEHÖR OCH MUNSTYCKEN

För att uppnå bästa prestanda och energieffektivitet #1 rekommenderas det att rätt munstycke används för de huvudsakliga städarbetena. Dessa munstycken visas i diagrammen med beteckningarna GP, HF och CA.

Ett munstycke av typen GP kan användas till att rengöra både mattor och hårda golv.

Ett munstycke av typen HF är endast lämpligt för användning på hårda golv.

Ett munstycke av typen CA är endast lämpligt för användning på mattor.

De andra munstyckena är tillbehör för specialrengöring och rekommenderas endast för enstaka rengöringstillfällen.

Det är viktigt att observera att denna dammsugare är försedd med en energimärkning som krävs enligt förordning (EU) 665/2013.

Om märket har en röd förbudscirkel till vänster som täcker mattsymbolen, visar detta att dammsugaren inte är lämplig för användning på mattor.

Om märket har en röd förbudscirkel till höger som täcker symbolen för hårt golv, visar detta att dammsugaren inte är lämplig för användning på hårda golv.

**#1 OBS!** Dammupptagningsförmåga på mattor, dammupptagningsförmåga på hårda golv

\*Endast vissa modeller      \*\* Endast vissa modeller, munstycken kan variera beroende på modell



samt energieffektivitet i enlighet med kommissionens förordning (EU) 665/2013 och (EU) 66/2013.

Alla tillbehör kan monteras på slangen eller i änden av teleskopröret.

**2-i-1-verktyg** – Kombinerar flera funktioner i ett verktyg: [V]

**Dammborste** – För bokhyllor, ramar, tangentbord och andra känsliga utrymmen.

**Verktyg för springor** – För hörn och svåråtkomliga utrymmen.

**Parkettmunstycke\*** – För parkettgolv och andra känsliga golv. [Y]

**Miniturbomunstycke för borttagning av djurhår\*** - Använd miniturbomunstycket i trappor eller för djuprengöring av textilytor och andra svårrengjorda ytor. Särskilt lämpligt för borttagning av djurhår. [W]

**Allergenavlägsnande miniturbomunstycke\*** – Använd miniturbomunstycket i trappor eller för djuprengöring av textilytor och andra svårrengjorda ytor. Särskilt lämpligt för allergenborttagning. [X]

**VIKTIGT:** Använd inte miniturbomunstycket på mattor med långa fransar, djurfällar eller mattor med högre lugg än 15 mm. **Håll inte munstycket stilla på en plats när borsten roterar.**

## UNDERHÅLL AV ÅNGRENGÖRAREN

### Tömma dammbehållaren

När dammet når maxnivån tömmer du dammbehållaren.

**VIKTIGT:** För att bibehålla optimal kapacitet får dammet inte överskrida maxnivån.

1. Slå av dammsugaren med på-/av-pedalen och dra ut strömsladden. [8]
2. Tryck på dammbehållarens frigöringsknapp och ta bort behållaren från dammsugaren. [12]
3. Håll i dammbehållaren med en hand och tryck på dammbehållarens frigöringsknapp för att tömma ut dammet. [13]
4. Stäng dammbehållareklaffen och sätt tillbaka den i huvuddelen.

### Rengöra de tvättbara filtren

Dammsugaren är försedd med förmotorfilter och utblåsningsfilter. För att bibehålla optimal rengöringskapacitet bör du regelbundet ta bort filtren och knacka på innerkanten för att få bort damm. Filtret bör rengöras vid var femte kassetttömning eller när filtret har nått en alltför hög dammnivå.

**VIKTIGT:** Filtren måste rengöras regelbundet på alla påslösa dammsugare. Om filtren inte rengörs kan detta leda till att luften blockeras, överhettning och produktfel. Dessutom kan garantin upphöra att gälla.

**VIKTIGT:** Kontrollera och underhåll filtren regelbundet.

**VIKTIGT:** Se alltid till att filtren är helt torra innan de används.

**Så här kommer du åt förmotorfiltret:**

1. Ta bort dammbehållaren från dammsugaren genom att trycka på dammbehållarens frigöringsknapp. [12]
2. Håll behållaren i en hand och med den andra handen tar du loss dammbehållarens lock genom att vrida det moturs. [14]

\*Endast vissa modeller

\*\* Endast vissa modeller, munstycken kan variera beroende på modell

3. Ta bort förmotorfiltret från dammbehållaren. [15]
4. Knacka försiktigt på förmotorfiltret och tvätta det. Använd inte hett vatten eller rengöringsmedel. Ta bort överflödigt vatten från filtret och låt det torka helt innan du använder det igen. [20,21]
5. Återmontera förmotorfiltret när det är helt torrt och sätt tillbaka det i dammsugaren.

**Så här kommer du åt utblåsningsfiltret:**

1. Haka loss skyddet för utblåsningsfiltret bak på dammsugarens kropp. [18]
2. Avlägsna utblåsningsfiltret bak på dammsugaren. [19]
3. Knacka försiktigt och tvätta filtret med hjälp av varmt vatten. Använd inte hett vatten eller rengöringsmedel. Ta bort överflödigt vatten från filtret och låt det torka helt innan du använder det igen. [20,21]
4. Sätt tillbaka utblåsningsfiltret bak på dammsugaren när det är helt torrt och sätt tillbaka skyddet för utblåsningsfiltret.

**VIKTIGT:** Använd inte produkten utan filtersatsen.

### Rengöring av dammbehållaren/separationsenheten

Den här dammsugaren använder ett separationssystem som är unikt för Hoover. Om det är nödvändigt kan separationsenheten demonteras från dammbehållaren och rengöras.

1. Tryck på dammbehållarens frigöringsknapp och ta bort behållaren från dammsugaren. [12]
2. Håll behållaren i en hand och med den andra handen tar du loss dammbehållarens lock genom att vrida det moturs. [14]
3. Ta bort förmotorfiltret från dammbehållaren. Ta sedan bort multi-cyklon separationsenheten från dammbehållaren genom att dra ut den. [15,16]
4. Torka vid behov bort damm från multi-cyklon separationsenheten yta med en trasa. [17]
5. Vid behov, skölj av dammbehållaren i ljummet vatten. Tvätta insidan av dammbehållaren med enbart vatten. ANVÄND INTE tvåbaserade rengöringsmedel för att tvätta dammbehållarens insida.
6. Sätt tillbaka internt filter och förmotorfilter på dammbehållaren.
7. Sätt tillbaka dammbehållarens lock på dammbehållaren. Sätt tillbaka dammbehållaren på dammsugarens huvuddel.

### Åtgärda stopp

1. Kontrollera om dammbehållaren är full. Gå i så fall till "Tömma dammbehållaren".
2. Om dammbehållaren är tom och sugkraften ändå är låg:
  - A. Behöver filtren rengöras? Gå i så fall till avsnittet "Rengöra de tvättbara filtren".
  - B. Kontrollera om det är något annat stopp i systemet. - Använd en stång eller liknande för att ta bort det som eventuellt blockerar teleskopröret eller den böjliga slangen.
  - C. Kontrollera att förmotorfiltret sitter på plats.
  - D. Kontrollera om separationsenheten behöver rengöras. Se "Rengöra separationsenheten".

## CHECKLISTA FÖR ANVÄNDAREN

Om du får problem med produkten fyller du i den här enkla kontrollistan innan du ringer till den lokala Hoover-servicerepresentanten.

- Har dammsugaren tillgång till fungerande strömförsörjning? Kontrollera genom att koppla in en annan eldriven apparat.
- Är dammbehållaren överfylld? Se "Underhåll av dammsugaren".

- Är filtret igensatt? Se "Underhåll av dammsugaren".
- Är slangen eller munstycket igensatt? Se "Ta bort ett stopp i systemet".
- Är dammsugaren överhettad? Om så är fallet tar det cirka 30 minuter för en automatisk återställning.

## VIKTIG INFORMATION

### Reserv- och förbrukningsdelar från Hoover

Använd alltid originaldelar från Hoover vid byte. Du kan beställa delar från närmaste Hoover-återförsäljare eller direkt från Hoover. Uppge alltid modellnummer när du beställer delar.

### Hoover-service

Kontakta ditt närmaste Hoover-servicekontor om du behöver service.

### Kvalitet

Hoovers fabriker har kvalitetsbedömts av oberoende organisationer. Våra produkter tillverkas enligt ett kvalitetssystem som uppfyller kraven för ISO 9001.

### Garanti

Garantivillkoren för produkten definieras av vår representant i det land där produkten säljs. Du kan få uppgifter om aktuella villkor från återförsäljaren. Kvittot måste visas upp när man kräver ersättning enligt garantin.

Specifikationerna kan ändras utan föregående meddelande.

## OHJEET TURVALLISTA KÄYTTÖÄ VARTEN

Tämä laite on tarkoitettu ainoastaan kotikäyttöön tämän käyttöoppaan kuvaamalla tavalla. Tutustu tähän käyttöoppaaseen huolellisesti ennen laitteen käyttöä.

Älä jätä laitetta kytketyksi virtaan. Kytke laitteesta virta ja irrota virtajohto virtalähteestä aina käytön jälkeen ja ennen kuin puhdistat laitteen tai teet huoltotoimenpiteitä.

Tätä laitetta voivat käyttää yli 8-vuotiaat lapset ja henkilöt joilla on vähentynyt fyysinen, aistillinen tai henkinen kyky tai joilla ei kokemusta tai tietoja, mikäli heille on annettu ohjausta ja valvontaa koskien laitteen turvallista käyttöä ja ymmärtävät käyttöön liittyvät vaaratekijät. Lapset eivät saa leikkiä laitteella. Käyttäjän suorittamaa puhdistusta ja huoltoa ei tule suorittaa lasten toimesta ilman valvontaa.

Lopeta laitteen käyttö välittömästi, jos virtajohto on vahingoittunut. Turvallisuusrisikin välttämiseksi valtuutetun Hoover-huoltoliikkeen tulee vaihtaa virtajohto.

Pidä kädet, jalat, löysät vaatteet ja hiukset loitolla pyörivistä harjoista.

Käytä ainoastaan Hooverin toimittamia tai suosittelemia kiinnityskappaleita, lisävarusteita tai varaosia.

**Staattinen sähkö:** Jotkin matot voivat aiheuttaa vähäisen määrän staattista sähköä. Staattisen sähkön purkaus ei ole vaarallista terveydelle.

Älä käytä laitettasi ulkona tai märällä alustalla. Älä imuroi nesteitä.

Älä imuroi kovia tai teräviä esineitä, tulitikkuja, kuumaa

tuhkaa, tupakantumppeja tai muita vastaavia esineitä.

Älä ruiskuta laitteelle tai imuroi laitteella syttyviä nesteitä, puhdistusnesteitä, aerosoleja tai näiden höyryjä.

Älä aja laitteella verkkojohdon yli tai irrota pistoketta virtalähteestä johdosta vetämällä.

Älä käytä laitetta, jos se vaikuttaa vialliselta.

**HOOVER-huolto** Laitteen käyttöturvallisuuden ja tehokkaan toiminnan varmistamiseksi huolto ja korjaukset kannattaa antaa valtuutetun Hoover-huoltoliikkeen tehtäväksi.

Älä seiso johdon päällä tai kierrä sitä käsien tai jalkojen ympärille laitetta käyttäessäsi.

Älä käytä laitetta ihmisten tai eläinten puhdistamiseen.

Älä aseta laitetta yläpuolellesi, kun imuroit portaita.

#### Ympäristö

Tässä laitteessa oleva symboli osoittaa, että laitetta ei saa hävittää kotitalousjätteenä. Se täytyy luovuttaa sähkö- ja elektroniikkalaitteiden keräyspisteeseen kierrätystä varten. Hävittäminen on suoritettava paikallisten jätteiden hävittämistä koskevien ympäristösäännösten mukaisesti. Saat lisätietoja tämän laitteen käsitlemisestä, hyötykäytöstä ja kierrätyksestä paikallisilta viranomaisilta, kotitalouksien ja muiden jätteiden jätehuollosta tai liikkeestä, josta ostit laitteen.



**CE** Tämä laite on EU:n direktiivien 2014/35/EU, 2014/30/EU ja 2011/65/EU mukainen.

CANDY HOOVER GROUP S.r.l. Via Privata Eden Fumagalli, 20861 Brugherio (MB) Italy

#### LAITTEEN OSAT

- A. Johdonkeräyspoljin
- B. Poistoilmansuodattimen kansi
- C. Poistoilmansuodatin
- D. Kiinnitysura
- E. Virtapainike
- F. Pölysäiliön vapautuspainike
- G. Pölysäiliökokonaisuus
- H. Runko-osa
- I. Letku
- J. Imutehon säädin
- K. Kahva
- L. Teleskooppiputki
- M. Teleskooppiputken säädin
- N. Lattiatyypin valitsin\*
- O. & O1. Matto- ja lattiasuulake (GP)\*\*
- O2. Mattosuulake (CA)\*\*
- O3. Lauta-, parketti- tai laminaattilattian suulake (HF)\*\*
- P. Pölysäiliön läppä
- Q. Pölysäiliön läpän vapautuspainike
- R. Pölysäiliö
- S. Multicyclone-erotinyksikkö
- T. Moottorin edessä oleva suodatin
- U. Pölysäiliön kansi
- V. Kaksitoimisuutin
- W. Miniturbosuulake eläintenkarvojen imurointiin\*
- X. Miniturbosuulake allergeenien poistoon\*
- Y. Parkettisuulake\*

#### LAITTEEN KOKOAMINEN

Pura kaikki osat pakkauksesta.

1. Liitä letku imurin runkoon ja varmista, että se naksahtaa ja lukittuu paikalleen. Irrotus: paina letkun päässä olevaa painiketta ja vedä. [1]
2. Liitä letkun kahva jatkoputken yläpäähän [2], tai tarvittaessa lisävaruste.
3. Liitä jatkoputken alapää matto- ja lattiasuulakkeeseen\*\* [3] tai tarvittaessa lisävarusteeseen.

#### LAITTEEN KÄYTTÖ

1. Vedä verkkojohto esiin ja kytke pistoke virtalähteeseen. Vedä johto ulos enintään punaiseen merkkiin asti. [4]
2. Säädä teleskooppiputki sopivalle korkeudelle siirtämällä teleskooppiputken sovitin ylös ja siirtämällä kädensija ylös tai alas mukavimpaan työskentelyasentoon. [5]

3. Matto- ja lattiasuulake\*\* - Paina suulakkeen [6] lattiatyyppin valitsinta ja valitse lattiaan sopiva imurointitapa.

**Kova lattia:** – Harjakset ovat alhaalla lattian suojaamiseksi.

**Matto:** – Harjat nostetaan ylös tarkempaa puhdistusta varten.

#### **Matto- ja lattiasuutin\*\*:** [7]

- **Kovien lattiapintojen puhdistus:** Paina suulakkeessa oleva poljin Kova lattia -tilaan ja säädä suulakkeessa oleva liukukytkin tilaan KAIKKI LATTIAT. Tässä asennossa harjat, pyörät ja pyyhkijäsulka ovat alhaalla kovan lattian suojaamiseksi. [7a]
  - **Tavallinen maton & pitkähapsullisen maton puhdistus:** Paina suulakkeessa oleva poljin matto-tilaan ja säädä suulakkeessa oleva liukukytkin asentoon KAIKKI LATTIAT. Tässä asennossa harjat ja pyyhkijäsulka on nostettu ylös, kun taas pyörät on laskettu niin, että liikkuminen tällaisilla pinnoilla on helppoa. [7b]
  - **Mattojen syväpuhdistus:** Paina suulakkeessa oleva poljin matto-tilaan ja säädä suulakkeessa oleva liukukytkin asentoon MATTOJEN SYVÄPUHDISTUS. Tässä asennossa harjat, pyörät ja pyyhkijäsulka on nostettu ylös maton syvempää puhdistusta varten. [7c]
- VAROITUS: Puulattioiden mahdollisen naarmuuntumisen välttämiseksi poljinta ei tule asettaa kova lattia -tilaan, ja liukukytkimen tulee olla maton syväpuhdistuksen asennossa.**
4. Käynnistä imuri painamalla rungon käynnistyspoljinta. [8]
5. Asenna imutehon säädin kahvaan halutulle tasolle. [9]
6. Sammuta käytön päätyttyä painamalla käynnistys/sammutuspoljinta. Irrota pistoke virtalähteestä ja kela virtajohto takaisin imuriin johdonkeräyspoljinta painamalla. [10]

#### **SÄILYTYS JA VARASTOINTI -OSIO**

Putki ja suutin voidaan laittaa imurin taakse talteen tai väliaikaiseen säilöön käytön aikana. [11]

### **LISÄVARUSTEET JA SUULAKKEET**

Parhaan suorituskyvyn ja energiatehokkuuden #1 saavuttamiseksi on suositeltavaa käyttää oikeanlaisia suulakkeita. Kaavioissa näihin suulakkeisiin viitataan kirjainyhdistelmillä **GP**, **HF** ja **CA**.

Suulaketyyppi **GP** soveltuu sekä mattojen että kovan lattian puhdistukseen.

Suulaketyyppi **HF** soveltuu ainoastaan kovan lattian puhdistukseen.

Suulaketyyppi **CA** soveltuu ainoastaan mattojen puhdistukseen.

Muut suulakkeet ovat lisävarusteita erityisiä puhdistustoimenpiteitä varten ja niitä suositellaan käytettävän vain satunnaisesti.

On tärkeää huomata, että tällä imurilla on komission asetuksen (EU) 665/2013 mukainen energiamerkintä.

Jos energiamerkin vasemmassa laidassa on matto-symbolin peittävä punainen kieltoympyrä, imuri ei sovellu käytettäväksi matoilla.

Jos energiamerkin oikeassa laidassa on kova lattia -symbolin peittävä punainen kieltoympyrä, imuri ei sovellu käytettäväksi kovalla lattialla.

#1 **HUOMAA:** Komission asetusten (EU) 665/2013 ja (EU) 666/2013 mukaiset energiatehokkuus, kyky kerätä pöly matolta ja kyky kerätä pöly kovalta lattialta.

Kaikki lisävarusteet sopivat letkun kädensijaan tai teleskoopiputken päähän.

**Kaksitoimisuulake** – Yhdistää useita toimintoja yhteen varusteeseen: [V]

**Pölyharja** – Kirjahyllyjä, kehyksiä, näppäimistöjä ja muita kevyttä imutehoa vaativia paikkoja varten.

**Rakosuulake** – Nurkkia ja vaikeapääsyisiä kohteita varten.

**Parkettisuulake\*** – Parketin ja muiden arkojen lattiapintojen imurointiin. [Y]

**Miniturbosuulake eläintenkarvojen imurointiin\*** - Pienellä miniturbosuulakkeella voit imuroida portaita tai syväpuhdistaa tekstiilipintoja ja muita vaikeasti puhdistettavia paikkoja. Sopii erityisesti eläinten karvojen imurointiin. [W]

**Miniturbosuulake allergenien poistoon\*** – Pienellä miniturbosuulakkeella voit imuroida portaita tai syväpuhdistaa tekstiilipintoja ja muita vaikeasti puhdistettavia paikkoja. Sopii erityisesti allergiaa aiheuttavien kohteiden imurointiin. [X]

**TÄRKEÄÄ:** Älä käytä mini TurboSuulakkeita imuroidessasi pitkähapsullisia mattoja, eläinten taljoja tai mattoja, joiden nukan pituus on yli 15 mm. **Älä pidä suulaketta paikoillaan yhdessä kohdassa harjan pyöriessä.**

### **LAITTEEN KUNNOSSAPITO**

#### **Pölysäiliön tyhjennys**

Tyhjennä pölykasetti, kun pölymäärämittari osoittaa kasetin olevan täynnä.

**TÄRKEÄÄ:** Älä imuroi enää sen jälkeen, kun mittari osoittaa kasetin olevan täynnä.

1. Sammuta imuri painamalla on/off-poljinta ja irrota virtajohto. [8]
2. Paina pölysäiliön vapautuspainiketta ja irrota pölysäiliökokonaisuus imurista. [12]
3. Pitele pölysäiliötä yhdellä kädellä ja paina pölysäiliön tyhjennyspainiketta pölyn tyhjentämiseksi. [13]
4. Sulje pölysäiliön läppä ja aseta takaisin laitteen runkoon.

#### **Pestävien suodattimien puhdistus**

Imurissa on moottorin edessä suodatin ja poistosuodatin. Jotta imurin suorituskyky säilyy hyvänä, irrota suodattimet säännöllisesti ja kopauta niitä pölysäiliön reunaan pölyn poistamiseksi. Suodattimet tulee pestä joka 5. pölysäiliön tyhjennyksen jälkeen tai kun suodattimessa on liikaa pölyä.

**TÄRKEÄÄ:** Kaikkien pölypussittomien imurien suodattimet on puhdistettava säännöllisesti. Jos suodattimia ei puhdisteta, ilman virtaus voi tukkeutua, imuri ylikuumentaa ja rikkoutua. Myös takuu voi mitätöityä.

**TÄRKEÄÄ:** Tarkista suodatinten kunto säännöllisesti ja huolla tarvittaessa.

**TÄRKEÄÄ:** Varmista aina ennen käyttöä, että suodattimet ovat täysin kuivia.

### Moottorin edessä olevan suodattimen poistaminen:

1. Irrota pölysäiliö imurista painamalla pölysäiliön vapautuspainiketta. [12]
2. Pitele pölysäiliötä toisella kädellä ja irrota toisella kädellä pölysäiliön kansi kiertämällä sitä vastapäivään. [14]
3. Irrota moottorin edessä oleva suodatinkokonaisuus pölysäiliökokonaisuudesta. [15]
4. Napauta kevyesti moottorin edessä olevaa suodatinta ja pese se. Älä käytä kuumaa vettä tai pesuaineita. Poista suodattimesta liika vesi ja anna kuivua kokonaan, ennen kuin asennat sen takaisin. [20,21]
5. Kokoa moottorin edessä oleva suodatin uudelleen, kun se on täysin kuiva, ja asenna se takaisin imuriin.

### Poistoilmansuodattimen puhdistus:

1. Avaa poistoilmansuodattimen kansi imurin rungon takaosassa. [18]
2. Irrota poistoilmansuodatin imurin takaosasta. [19]
3. Napauta suodatinta kevyesti ja pese se lämpimällä vedellä. Älä käytä kuumaa vettä tai pesuaineita. Poista suodattimesta liika vesi ja anna kuivua kokonaan, ennen kuin asennat sen takaisin. [20,21]
4. Asenna poistoilmansuodatin imurin takaosaan, kun se on täysin kuiva, ja asenna poistoilmansuodattimen kansi.

**TÄRKEÄÄ:** Älä käytä imuria ilman suodatinpakkausta.

### Pölysäiliön / Erotusyksikön puhdistaminen

Tässä imurissa on ainutlaatuinen Hoover-erottelujärjestelmä. Erotusyksikkö voidaan tarvittaessa irrottaa pölysäiliöstä puhdistusta varten.

1. Paina pölysäiliön vapautuspainiketta ja irrota pölysäiliökokonaisuus imurista. [12]
2. Pitele pölysäiliötä toisella kädellä ja irrota toisella kädellä pölysäiliön kansi kiertämällä sitä vastapäivään. [14]
3. Irrota moottorin edessä oleva suodatinkokonaisuus pölysäiliökokonaisuudesta. Irrota sitten multicyclone-erotusyksikkö pölysäiliöstä vetämällä sitä. [15,16]
4. Pyyhi tarvittaessa multicyclone-erotusyksikön pinnalle kertynyt liiallinen pöly pois liinalla. [17]
5. Huuhtelee tarvittaessa pölysäiliö haalealla vedellä. Pese pölysäiliön sisäpinnat pelkällä vedellä. ÄLÄ käytä saippuapohjaisia pesuaineita pölysäiliön sisäosien pesuun.
6. Laita sisäinen ja moottorin edessä oleva suodatin takaisin pölysäiliöön.
7. Asenna pölysäiliön kansi takaisin pölysäiliöön. Asenna pölysäiliö takaisin imurin runkoon.

### Tukoksen poistaminen

1. Tarkista, onko pölysäiliö täynnä. Tyhjennä se tarvittaessa kohdan "Pölykasetin tyhjennys" ohjeiden mukaan.
2. Jos pölykasetti on tyhjä, mutta imuteho on silti heikko:
  - A. Ovatko suodattimet puhdistuksen tarpeessa? Jos ovat, katso lisätietoja kohdasta "Pestävien suodattimien puhdistus".
  - B. Tarkasta, onko laitteessa muuta tukosta. - Poista tukos jatkoputkesta tai letkusta kepin tms. avulla.
  - C. Tarkasta, onko imuriin asennettu esisuodatin.
  - D. Tarkasta, tarvitseeko erotusosa puhdistusta. Katso lisätietoja kohdasta "Erotusosan puhdistus".

## KÄYTTÄJÄN TARKISTUSLISTA

Jos laitteen käytössä ilmenee ongelmia, käy läpi nämä vianmääritysohjeet ennen kuin otat yhteyttä paikalliseen Hoover-huoltoon.

- Toimiiko virtalähde? Tarkista tämä toisella sähkölaitteella.
- Onko pölysäiliö liian täynnä? Katso lisätietoja kohdasta "Laitteen huolto".
- Onko suodatin tukossa? Katso lisätietoja kohdasta "Laitteen huolto".
- Onko letku tai suulake tukossa? Katso lisätietoja kohdasta "Tukoksen poistaminen".
- Onko imuri ylikuumentunut? Jäähtyminen kestää noin 30 minuuttia.

## TÄRKEÄÄ TIETOA

### Hoover-varaosat ja tarvikkeet

Käytä vain alkuperäisiä Hoover-varaosia. Niitä on saatavana paikalliselta Hoover-jälleenmyyjältä tai valtuutetusta huoltoliikkeestä. Mainitse varaosatilauksen yhteydessä laitteen tyyppinumero.

### Hoover-huolto

Ota huoltoon liittyvissä asioissa yhteyttä paikalliseen Hoover-huoltoon.

### Laatu

Hooverin tehtaat on arvioitu laadun suhteen riippumattoman tahon toimesta. Tuotantoprosessimme täyttävät ISO 9001 -laatujohtajärjestelmän vaatimukset.

### Takuu

Tämän laitteen takuehdot määrittelee ostomaan Hoover-edustaja. Yksityiskohtaiset tiedot näistä ehdoista saa laitteen myyneeltä jälleenmyyjältä. Tämän takuun mukaisia vaateita esitettäessä on esitettävä myyntitodistus tai ostokuitti.

Oikeus muutoksiin pidätetään.

## ΟΔΗΓΙΕΣ ΑΣΦΑΛΟΥΣ ΧΡΗΣΗΣ

Η συσκευή πρέπει να χρησιμοποιείται αποκλειστικά για οικιακή χρήση, σύμφωνα με τις οδηγίες χρήσης. Πριν δοκιμάσετε να χρησιμοποιήσετε τη συσκευή, βεβαιωθείτε ότι έχετε κατανοήσει τις οδηγίες που περιέχει το βιβλίο που κρατάτε στα χέρια σας.

Μην αφήνετε τη συσκευή συνδεδεμένη στην πρίζα. Πριν τον καθαρισμό της συσκευής ή οποιασδήποτε εργασία συντήρησης, πρέπει να απενεργοποιείτε τη συσκευή και να την αποσυνδέετε από την πρίζα.

Η χρήση της συσκευής από παιδιά άνω των 8 ετών, ηλικιωμένους και ΑΜΕΑ προϋποθέτει την παρουσία ενήλικα που θα φέρει την ευθύνη για την ασφαλεία τους. Η χρήση της συσκευής από άτομα που δεν έχουν εξοικειωθεί στη χρήση παρόμοιων συσκευών μπορεί να γίνει μόνο αφού γίνει κατανοητός ο κίνδυνος που ενέχει η χρήση της συσκευής. Μην αφήνετε τα παιδιά να παίζουν με τη συσκευή. Οι εργασίες καθαρισμού και συντήρησης της συσκευής δεν πρέπει να γίνονται από τα παιδιά χωρίς την επίβλεψη ενήλικα που θα φέρει την ευθύνη για την ασφαλεία τους.

Εάν το καλώδιο σύνδεσης με το δίκτυο παροχής εμφανίσει φθορές διακόψτε την λειτουργία της συσκευής αμέσως. Για λόγους ασφάλειας η αντικατάσταση του καλωδίου πρέπει να γίνει αποκλειστικά από εξουσιοδοτημένο προς τούτο τεχνικό HOOVER.

Μην πλησιάζετε τις περιστρεφόμενες βούρτσες με τα χέρια, τα πόδια, τα μαλιά ή τα ρούχα σας.

Χρησιμοποιείτε αποκλειστικά γνήσια εξαρτήματα, ανταλλακτικά και αναλώσιμα HOOVER.

**Στατικός ηλεκτρισμός:** Ορισμένα χαλιά μπορεί να προκαλέσουν συσσώρευση στατικού ηλεκτρισμού. Τυχόν στατικές εκκενώσεις δεν είναι επικίνδυνες για την υγεία.

Μην χρησιμοποιείτε τη συσκευή σας σε εξωτερικούς χώρους, σε

υγρή επιφάνεια ή για τη συλλογή υγρών.

Μην συλλέγετε με τη συσκευή σκληρά ή αιχμηρά αντικείμενα, καυτή στάχτη, αποτσίγαρο ή άλλα παρόμοια αντικείμενα.

Μην ψεκάζετε ή συλλέγετε εύφλεκτα υγρά, υγρά καθαρισμού, αερολύματα ή τους ατμούς τους.

Ενώσω χρησιμοποιείτε τη συσκευή δεν πρέπει να πατάτε επάνω στο καλώδιο, μην τραβάτε το καλώδιο για να αποσυνδέσετε τη συσκευή από την παροχή.

Εάν η συσκευή εμφανίσει κάποια βλάβη μην συνεχίσετε να την χρησιμοποιείτε.

**Τεχνική Υποστήριξη Hoover :** Για την διατήρηση της ασφαλούς και αποτελεσματικής λειτουργίας της συσκευής οι επεμβάσεις συντήρησης και αποκατάστασης βλαβών πρέπει να γίνονται αποκλειστικά μέσω των εξουσιοδοτημένων τεχνικών HOOVER.

Μην στέκεστε πάνω στο καλώδιο και μην το περιτυλίγετε γύρω από τα χέρια ή τα πόδια σας ενώσω η συσκευή βρίσκεται σε λειτουργία.

Μην χρησιμοποιείτε τη συσκευή για να καθαρίζετε ζώα ή άτομα.

Μην τοποθετείτε πάνω σας τη συσκευή όταν καθαρίζετε τις σκάλες.

### Περιβάλλον

Το σύμβολο πάνω σε αυτή τη συσκευή υποδεικνύει ότι αυτή η συσκευή δεν μπορεί να αντιμετωπιστεί σαν κοινό οικιακό απόρριμα. Αντίθετα, πρέπει να παραδοθεί στο πλησιέστερο κέντρο συλλογής για την ανακύκλωση ηλεκτρικού και ηλεκτρονικού εξοπλισμού. Η απόρριψη της συσκευής πρέπει να γίνει σύμφωνα με την ισχύουσα κατά τόπο νομοθεσία για την απόρριψη ηλεκτρονικών και ηλεκτρικών αποβλήτων. Για πιο λεπτομερείς πληροφορίες σχετικά με την επεξεργασία, την ανάκτηση και την ανακύκλωση αυτής της συσκευής, επικοινωνήστε με την κατά τόπους αρμόδια αρχή, την υπηρεσία αποκομιδής οικιακών απορριμμάτων ή το κατάστημα από το οποίο αγοράσατε τη συσκευή.

 Αυτή η συσκευή συμμορφώνεται με τις Ευρωπαϊκές Οδηγίες 2014/35/ΕΕ, 2014/30/ΕΕ και 2011/65/ΕΕ.

CANDY HOOVER GROUP S.r.l. Via Privata Eden Fumagalli, 20861 Brugherio (MB) Italy

## ΕΞΟΙΚΕΙΩΣΗ ΜΕ ΤΗ ΣΚΟΥΠΑ

- A. Πεντάλ περιέλιξης καλωδίου
- B. Κάλυμμα φίλτρου εξόδου
- C. Φίλτρο απαγωγής
- D. Εγκοπή στάθμευσης
- E. Πεντάλ (On/Off)
- F. Κουμπί απασφάλισης δοχείου σκόνης
- G. Σύστημα δοχείου σκόνης
- H. Κυρίως σώμα
- I. Εύκαμπτος σωλήνας
- J. Ρυθμιστής αναρρόφησης
- K. Λαβή εύκαμπτου σωλήνα
- L. Τηλεσκοπικός σωλήνας
- M. Μηχανισμός ρύθμισης τηλεσκοπικού σωλήνα
- N. Επιλογέας τύπου δαπέδου\*
- O. & O1. Πέλμα χαλιών και δαπέδων: **(GP)\*\***
  - O2. Ακροφύσιο χαλιών **(CA)\*\***
  - O3. Ακροφύσιο (στόμιο) για σκληρά δάπεδα **(HF)\*\***
- P. Πτερύγιο δοχείου σκόνης
- Q. Πλήκτρο απελευθέρωσης πτερυγίου δοχείου σκόνης
- R. Δοχείο συλλογής σκόνης
- S. Πολυκυκλωνική μονάδα διαχωρισμού
- T. Φίλτρο πριν το μοτέρ
- U. Καπάκι δοχείου σκόνης
- V. Αξεσουάρ 2 σε 1
- W. Πέλμα Mini Turbo για τρίχες κατοικίδιων\*
- X. Πέλμα Mini Turbo για την απομάκρυνση αλλεργιογόνων ουσιών\*
- Y. Πέλμα παρκέ\*

## ΣΥΝΑΡΜΟΛΟΓΗΣΗ ΤΗΣ ΣΥΣΚΕΥΗΣ

Αφαιρέστε όλα τα εξαρτήματα από τη συσκευασία.

1. Συνδέστε τον εύκαμπτο σωλήνα στο κυρίως σώμα της σκούπας, διασφαλίζοντας ότι έχει κουμπώσει και ασφαλίσει στη σωστή θέση. Για να τον απασφαλίσετε: απλώς πατήστε το κουμπί στο άκρο του εύκαμπτου σωλήνα και τραβήξτε. **[1]**
2. Συνδέστε τη λαβή του εύκαμπτου σωλήνα στο επάνω άκρο του σωλήνα επέκτασης **[2]**, ή των αξεσουάρ αν χρειάζεται.
3. Συνδέστε το κάτω άκρο σωλήνα επέκτασης στο ακροφύσιο χαλιών και δαπέδου\*\* **[3]** ή των αξεσουάρ αν χρειάζεται.

## ΟΔΗΓΙΕΣ ΧΡΗΣΗΣ ΤΗΣ ΣΥΣΚΕΥΗΣ ΚΑΘΑΡΙΣΜΟΥ

1. Ξετυλίξτε το καλώδιο ρεύματος και συνδέστε το σε μια πρίζα. Μην τραβάτε το καλώδιο πέραν της κόκκινης σήμανσης. **[4]**
  2. Ρυθμίστε τον τηλεσκοπικό σωλήνα στο επιθυμητό ύψος μετακινώντας το ρυθμιστή τηλεσκοπικού σωλήνα επάνω και ανυψώστε ή χαμηλώστε τη λαβή στην πιο άνετη θέση καθαρισμού. **[5]**
  3. Πέλμα χαλιών και δαπέδων:\*\* - Πιέστε τον επιλογέα τύπου δαπέδου στο ακροφύσιο **[6]** για να επιλέξετε την ιδανική λειτουργία καθαρισμού για τον τύπο του δαπέδου.
    - Σκληρά δάπεδα** – Οι βούρτσες χαμηλώνουν στο ανάλογο επίπεδο για να μην φθείρουν το δάπεδο.
    - Χαλί** – Οι βούρτσες ανασηκώνονται για βαθύτερο καθαρισμό.
- Πέλμα χαλιών και δαπέδων\*\*:** **[7]**
- **Καθαρισμός σκληρών δαπέδων** Πατήστε το πεντάλ\* στο ακροφύσιο στη λειτουργία σκληρών δαπέδων και ρυθμίστε το ακροφύσιο στην επιλογή ΟΛΑ ΤΑ ΔΑΠΕΔΑ. Σε αυτή τη θέση οι βούρτσες, οι τροχοί και η λεπίδα καθαρισμού κατεβαίνουν για την προστασία των σκληρών δαπέδων. **[7a]**
  - **Κανονικός καθαρισμός χαλιών & μοκετών:** Πατήστε το πεντάλ\* στο ακροφύσιο στη λειτουργία χαλιών και ρυθμίστε το ακροφύσιο στην επιλογή ΟΛΑ ΤΑ ΔΑΠΕΔΑ. Σε αυτή τη θέση οι βούρτσες, οι τροχοί και η λεπίδα καθαρισμού κατεβαίνουν για ευκολία κίνησης σε αυτές τις επιφάνειες. **[7b]**
  - **Βαθύς καθαρισμός χαλιών:** Πατήστε το πεντάλ στο ακροφύσιο στη λειτουργία χαλιών και ρυθμίστε το ακροφύσιο στην επιλογή ΒΑΘΥΣ ΚΑΘΑΡΙΣΜΟΣ ΧΑΛΙΩΝ. Σε αυτή τη θέση οι βούρτσες, οι τροχοί και η λεπίδα καθαρισμού ανεβαίνουν για βαθύτερο καθαρισμό του χαλιού σας. **[7c]**
- ΠΡΟΣΟΧΗ : Συνιστάται για να αποφύγετε πιθανότητα γδαρσίματος των ξύλινων δαπέδων το πεντάλ να μην έχει ρυθμιστεί στη λειτουργία σκληρού δαπέδου και το πέλμα στον βαθύ καθαρισμό χαλιών.**
4. Ενεργοποιήστε τη σκούπα πατώντας το πεντάλ on/off στον κύριο σώμα της σκούπας. **[8]**
  5. Βάλτε τον ρυθμιστή αναρρόφησης στο επιθυμητό επίπεδο. **[9]**
  6. Πατείστε το πεντάλ on/off για να απενεργοποιήσετε τη συσκευή μετά το πέρας του καθαρισμού. Βγάλτε το φισ από την πρίζα και πατήστε το πεντάλ περιέλιξης του καλωδίου για να τυλίξετε το καλώδιο μέσα στη σκούπα. **[10]**

## ΑΠΟΘΕΣΗ ΚΑΙ ΑΠΟΘΗΚΕΥΣΗ ΣΥΣΚΕΥΗΣ

Ο σωλήνας και το ακροφύσιο μπορούν να στερεωθούν στο πίσω μέρος μέρος της σκούπας για αποθήκευση ή προσωρινά κατά τη διάρκεια της λειτουργίας. **[11]**

## ΕΞΑΡΤΗΜΑΤΑ ΚΑΙ ΑΚΡΟΦΥΣΙΑ

Για να πετύχετε την καλύτερη επίδοση και ενεργειακή αποδοτικότητα <sup>#1</sup> συνιστάται να χρησιμοποιείτε τα σωστά ακροφύσια στις βασικές εργασίες καθαρισμού. Αυτά τα πέλματα απεικονίζονται στα σχέδια με τα γράμματα **GP**, **HF** ή **CA**.

Το πέλμα τύπου **GP** μπορεί να χρησιμοποιηθεί τόσο για τον καθαρισμό χαλιών όσο και πατωμάτων.

Το πέλμα τύπου **HF** είναι κατάλληλο για χρήση μόνο σε σκληρά δάπεδα.

Το ακροφύσιο τύπου **CA** είναι κατάλληλο για χρήση μόνο σε χαλί.

Τα υπόλοιπα ακροφύσια προορίζονται για ειδικές εργασίες καθαρισμού και πρέπει να χρησιμοποιούνται μόνο για το συγκεκριμένο σκοπό.

Είναι σημαντικό να σημειωθεί ότι η ηλεκτρική σκούπα συνοδεύεται από ενεργειακή ετικέτα

\*Μόνο ορισμένα μοντέλα

\*\* Μόνο για ορισμένα μοντέλα, τα πέλματα ενδέχεται να διαφέρουν ανάλογα με το μοντέλο

σύμφωνα με τα ισχύοντα από την 665/2013 Ευρωπαϊκή οδηγία .

Εάν η ετικέτα εμφανίζει έναν κόκκινο απαγορευτικό κύκλο στα αριστερά που καλύπτει ένα σύμβολο χαλιού, αυτό είναι ένδειξη ότι η σκούπα δεν είναι κατάλληλη για χρήση σε χαλιά.

Όταν στην ετικέτα στα δεξιά υπάρχει το απαγορευτικό σύμβολο με το κύκλο που καλύπτει ένα σύμβολο πατώματος, σημαίνει ότι η σκούπα είναι ακατάλληλη για χρήση σε σκληρά δάπεδα.

**#1 ΣΗΜΕΙΩΣΗ:** Η ικανότητα απορρόφησης σκόνης σε χαλιά και σκόνης σε σκληρά δάπεδα όπως και η ενεργειακή απόδοση ανταποκρίνονται στις υπαρίθμ. 665/2013 και 666/2013 της Ε.Ε.

Όλα τα εξαρτήματα μπορούν να τοποθετηθούν στη λαβή του σωλήνα ή στο άκρο του τηλεσκοπικού σωλήνα.

**Εργαλείο 2 σε 1** – Συνδυάζει διάφορες λειτουργίες σε ένα εργαλείο: **[V]**

**Βούρτσα ξεσκονίσματος** – Για ράφια, πλαίσια, πληκτρολόγια και άλλες ευαίσθητες περιοχές.

**Ρύγχος καθαρισμού** – Για γωνίες και δυσπρόσιτα σημεία.

**Πέλμα παρκέ\*** – Για παρκέ και άλλα ευαίσθητα δάπεδα. **[Y]**

**Πέλμα Mini Turbo για τρίχες κατοικίδιων\*** - Χρησιμοποιήστε το πέλμα μίνι τούρμπο για τις σκάλες ή για τον βαθύ καθαρισμό υφασμάτων επιφανειών και άλλων σημείων που καθαρίζονται δύσκολα. Ιδιαίτερα κατάλληλο για την απομάκρυνση τριχών κατοικίδιων. **[W]**

**Πέλμα Mini Turbo για την απομάκρυνση αλλεργιογόνων ουσιών\*** – Χρησιμοποιήστε το πέλμα μίνι τούρμπο για τις σκάλες ή για τον βαθύ καθαρισμό υφασμάτων επιφανειών και άλλων σημείων που καθαρίζονται δύσκολα. Ιδιαίτερα κατάλληλο για την απομάκρυνση αλλεργιογόνων. **[X]**

**ΕΠΙΣΗΜΑΝΣΗ:** Μη χρησιμοποιείτε τα μίνι ακροφύσια τούρμπο σε χαλιά με μακριά κρόσσια, σε φλοκάτες και χαλιά με πέλος μεγαλύτερο των 15 mm. **Μην κρατάτε το πέλμα ακίνητο ενώ περιστρέφεται η βούρτσα.**

## ΣΥΝΤΗΡΙΣΗ ΚΑΙ ΚΑΘΑΡΙΣΜΟΣ

### Άδειασμα του δοχείου σκόνης

Όταν η σκόνη φτάσει στην μέγιστη ένδειξη του δοχείου, αδειάστε το.

**ΕΠΙΣΗΜΑΝΣΗ:** Για βέλτιστη απόδοση μην αφήνετε τη σκόνη να υπερβεί τη μέγιστη ένδειξη.

1. Κλείστε τη σκούπα πατώντας το πεντάλ on/off και βγάλτε το καλώδιο ρεύματος από τη πρίζα. **[8]**
2. Πατήστε το κουμπί απελευθέρωσης του δοχείου σκόνης και αφαιρέστε το συγκρότημα κάδου από τη σκούπα. **[12]**
3. Κρατήστε το δοχείο σκόνης με το ένα χέρι και πατήστε το κουμπί αδειάσματος του δοχείου σκόνης για να αδειάσετε τη σκόνη. **[13]**
4. Κλείστε το περὺγιο του δοχείου σκόνης και τοποθετήστε ξανά το δοχείο στο κυρίως σώμα της σκούπας.

### Καθαρισμός των πλενόμενων φίλτρων

Η σκούπα είναι εξοπλισμένη με ένα φίλτρο πριν το μοτέρ και ένα φίλτρο εξόδου. Για να διατηρήσετε τη βέλτιστη απόδοση καθαρισμού, πρέπει να αφαιρείτε τακτικά τα φίλτρα και να τα χτυπάτε στο πλάι του δοχείου σκόνης για να απομακρύνετε τη σκόνη. Τα φίλτρα πρέπει να πλένονται κάθε 5 αδειάσματα της κασέτας ή όταν έχουν μαζέψει υπερβολική σκόνη.

**ΕΠΙΣΗΜΑΝΣΗ:** Όλες οι σκούπες χωρίς σακούλα απαιτούν συχνό καθαρισμό του φίλτρου. Η αποτυχία

\*Μόνο ορισμένα μοντέλα

\*\* Μόνο για ορισμένα μοντέλα, τα πέλματα ενδέχεται να διαφέρουν ανάλογα με το μοντέλο

καθαρισμού των φίλτρων μπορεί να έχει σαν αποτέλεσμα την εμπλοκή αέρα, την υπερθέρμανση και την αστοχία του προϊόντος. Αυτό μπορεί να καταστήσει άκυρη την εγγύησή σας.

**ΕΠΙΣΗΜΑΝΣΗ:** Ελέγχετε και συντηρείτε τακτικά τα φίλτρα.

**ΕΠΙΣΗΜΑΝΣΗ:** Πρέπει να διασφαλίζετε πάντα ότι τα φίλτρα είναι απόλυτα στεγνά πριν τη χρήση.

### Για πρόσβαση στο φίλτρο πριν το μοτέρ:

1. Αφαιρέστε το δοχείο σκόνης από τη σκούπα πατώντας το πλήκτρο απελευθέρωσης του δοχείου σκόνης. **[12]**
2. Κρατήστε το δοχείο σκόνης με το ένα χέρι και με το άλλο χέρι αφαιρέστε το καπάκι του δοχείου σκόνης περιστρέφοντάς αριστερόστροφα. **[14]**
3. Αφαιρέστε το φίλτρο πριν τον κινητήρα από το το συγκρότημα δοχείου σκόνης. **[15]**
4. Τινάζτε απαλά και πλύνετε το φίλτρο πριν από το μοτέρ. Μη χρησιμοποιείτε καυτό νερό ή απορρυπαντικό. Απομακρύνετε τα υπολείμματα νερού από το φίλτρο και αφήστε το να στεγνώσει εντελώς πριν το ξαναχρησιμοποιήσετε. **[20,21]**
5. Συναρμολογήστε ξανά το συγκρότημα φίλτρων πριν από τον κινητήρα αφού στεγνώσει εντελώς και βάλτε το και πάλι στη σκούπα.

### Για πρόσβαση στο φίλτρο εξόδου:

1. Ξεκουμπώστε το κάλυμμα του φίλτρου εξόδου από το πίσω μέρος του κύριου σώματος της σκούπας. **[18]**
2. Αφαιρέστε το φίλτρο εξόδου από το πίσω μέρος της σκούπας. **[19]**
3. Τινάζτε ελαφρά και πλύνετε με χλιαρό νερό το φίλτρο. Μη χρησιμοποιείτε καυτό νερό ή απορρυπαντικό. Απομακρύνετε τα υπολείμματα νερού από το φίλτρο και αφήστε το να στεγνώσει εντελώς πριν το ξαναχρησιμοποιήσετε. **[20,21]**
4. Τοποθετήστε ξανά το φίλτρο εξόδου στο πίσω μέρος της σκούπας όταν στεγνώσει τελείως και έπειτα τοποθετήστε το κάλυμμα του φίλτρου εξόδου στη θέση του.

**ΕΠΙΣΗΜΑΝΣΗ:** Μη χρησιμοποιείτε το προϊόν εάν προηγουμένως δεν έχετε τοποθετήσει σωστά το σύστημα φίλτρων.

### Καθαρισμός του κάδου απορριμάτων / της μονάδας διαχωρισμού

Η συσκευή χρησιμοποιεί ένα σύστημα διαχωρισμού, μοναδικό για την Hoover. Η μονάδα διαχωρισμού, αν χρειαστεί, μπορεί να αποσυναρμολογηθεί από το δοχείο σκόνης και να καθαριστεί.

1. Πατήστε το κουμπί απελευθέρωσης του δοχείου σκόνης και αφαιρέστε το συγκρότημα κάδου από τη σκούπα. **[12]**
2. Κρατήστε το δοχείο σκόνης με το ένα χέρι και με το άλλο χέρι αφαιρέστε το καπάκι του δοχείου σκόνης περιστρέφοντάς αριστερόστροφα. **[14]**
3. Αφαιρέστε το συγκρότημα φίλτρου πριν τον κινητήρα από το το συγκρότημα δοχείου σκόνης. Αφαιρέστε την πολυκυκλωνική μονάδα διαχωρισμού από το δοχείο σκόνης τραβώντας την. **[15,16]**
4. Χρησιμοποιήστε ένα πανί αν χρειαστεί, για να αφαιρέστε την υπερβολική ποσότητα σκόνης από την επιφάνεια της πολυκυκλωνικής μονάδας διαχωρισμού. **[17]**
5. Εάν χρειάζεται, ξεπλύνετε το δοχείο σκόνης με χλιαρό νερό. Πλύνετε τις εσωτερικές επιφάνειες του δοχείου σκόνης μόνο με νερό. ΜΗ χρησιμοποιήσετε απορρυπαντικά σαπουνιού για να πλύνετε το εσωτερικό του δοχείου σκόνης.
6. Επανασυναρμολογήστε το εσωτερικό φίλτρο και το φίλτρο πριν από τον κινητήρα στο δοχείο σκόνης.
7. Επανασυναρμολογήστε το καπάκι του δοχείου σκόνης στο δοχείο σκόνης. Βάλτε ξανά το δοχείο σκόνης στο κύριο σώμα της σκούπας.



## Απομάκρυνση σκουπιδιού

1. Ελέγξτε εάν το δοχείο σκόνης είναι γεμάτο. Εάν ναι, ανατρέξτε στην ενότητα «Άδειασμα του δοχείου σκόνης».
2. Εάν το δοχείο σκόνης είναι άδειο αλλά η αναρρόφηση εξακολουθεί να είναι χαμηλή:
  - A. Μήπως χρειάζονται καθάρισμα τα φίλτρα; Εάν ναι, ανατρέξτε στην ενότητα «Καθαρισμός των πλενόμενων φίλτρων».
  - B. Ελέγξτε εάν έχει φράξει κάπου αλλού το σύστημα - Χρησιμοποιήστε μια ράβδο ή ένα κοντάρι για να αφαιρέσετε τυχόν σκουπίδια από το σωλήνα επέκτασης ή από τον εύκαμπτο σωλήνα.
  - C. Ελέγξτε εάν είναι τοποθετημένο το φίλτρο πριν το μοτέρ
  - D. Ελέγξτε εάν η μονάδα διαχωρισμού χρειάζεται καθαρισμό. Ανατρέξτε στην ενότητα «Καθαρισμός της μονάδας διαχωρισμού»

## ΚΑΤΑΛΟΓΟΣ ΕΛΕΓΧΟΥ ΧΡΗΣΤΗ

Εάν αντιμετωπίσετε πρόβλημα με το προϊόν, πριν απευθυνθείτε στις υπηρεσίες τεχνικής υποστήριξης Τεχνική Υποστήριξη Hoover, κάντε τους ελέγχους που ακολουθούν.

- Υπάρχει ρεύμα στην πρίζα που έχει συνδεθεί η ηλεκτρική σκούπα; Ελέγξτε το με κάποια άλλη ηλεκτρική συσκευή.
- Το δοχείο σκόνης είναι υπερπλήρες; Ανατρέξτε στην ενότητα «Συντήρηση σκούπας».
- Είναι φραγμένο το φίλτρο; Ανατρέξτε στην ενότητα «Συντήρηση σκούπας».
- Είναι φραγμένο το πέλμα ή ο εύκαμπτος σωλήνας; Ανατρέξτε στο κεφάλαιο «Απομάκρυνση σκουπιδιού από το σύστημα».
- Μήπως υπερθερμάνθηκε η σκούπα; Εάν ναι, η αυτόματη επαναφορά θα διαρκέσει περίπου 30 λεπτά.

## ΣΗΜΑΝΤΙΚΕΣ ΠΛΗΡΟΦΟΡΙΕΣ

### Ανταλλακτικά και αναλώσιμα Hoover

Όταν παραστεί η ανάγκη χρησιμοποιείτε αποκλειστικά γνήσια ανταλλακτικά Hoover. Τα ανταλλακτικά Hoover διατίθενται από τον τοπικό αντιπρόσωπο Hoover ή απευθείας από τη Hoover. Κατά την παραγγελία εξαρτημάτων να αναφέρετε πάντα τον αριθμό μοντέλου.

### Τεχνική Υποστήριξη Hoover

Όποτε χρειαστεί να γίνει κάποια επισκευή στη συσκευή σας, επικοινωνήστε με το πλησιέστερο κέντρο τεχνικής υποστήριξης Gias Service

### Ποιότητα

Τα εργοστάσια Hoover έχουν ελεγχθεί από ανεξάρτητους φορείς ποιοτικού ελέγχου. Τα προϊόντα μας κατασκευάζονται μέσω ενός συστήματος ποιότητας το οποίο πληροί τις προδιαγραφές του προτύπου ISO 9001.

### Η εγγύησή σας

Οι όροι ισχύος της εγγύησης της συσκευής καθορίζονται από τον αντιπρόσωπο της χώρας στην οποία έχει πραγματοποιηθεί η πώληση. Περισσότερες πληροφορίες σχετικά με τους όρους εγγύησης μπορείτε να ζητήσετε από τον αντιπρόσωπο που αγοράσατε τη συσκευή. Η προσκόμιση του τιμολογίου ή της απόδειξης αγοράς είναι βασική προϋπόθεση για την ισχύ της εγγύησης.

Ο κατασκευαστής διατηρεί το δικαίωμα να επιφέρει αλλαγές χωρίς προγενέστερη ενημέρωση.

## INSTRUKCJE BEZPIECZNEGO UŻYTKOWANIA

Urządzenie to jest przeznaczone wyłącznie do użytku domowego w sposób opisany w niniejszej instrukcji użytkownika. Prosimy o dokładne zapoznanie się z instrukcją przed rozpoczęciem używania odkurzacza.

Nie pozostawiać urządzenia podłączonego do gniazdka zasilającego. Należy zawsze wyłączać urządzenie i wyjmować wtyczkę przewodu zasilającego z gniazdka po zakończeniu użytkowania, a także przed przystąpieniem do czyszczenia lub wykonywania jakichkolwiek czynności konserwacyjnych.

Urządzenie mogą obsługiwać dzieci w wieku co najmniej 8 lat, osoby o ograniczonych zdolnościach fizycznych, sensorycznych lub mentalnych, a także osoby nieposiadające odpowiedniego doświadczenia oraz wiedzy, jedynie pod warunkiem że odbywać się będzie to pod nadzorem lub po przeszkoleniu na temat bezpiecznego użycia urządzenia oraz związanych z nim zagrożeń. Dzieci nie mogą bawić się urządzeniem. Urządzenia nie powinny czyścić ani konserwować dzieci bez nadzoru.

Jeśli przewód zasilający uległ uszkodzeniu, należy natychmiast zaprzestać korzystania z urządzenia. Ze względów bezpieczeństwa przewód zasilający powinien być wymieniany wyłącznie przez serwisanta autoryzowanego punktu serwisowego HOOVER.

Nie zbliżać rąk, stóp, luźnej odzieży ani włosów do obracających się szczotek.

Należy korzystać wyłącznie z końcówek, materiałów eksploatacyjnych oraz części zamiennych zalecanych lub dostarczonych przez firmę HOOVER.

**Ładunki elektrostatyczne:** Odkurzanie niektórych dywanów może powodować niewielkie naelektryzowanie się urządzenia. Tego rodzaju ładunki elektrostatyczne nie stanowią zagrożenia dla zdrowia.

Nie używać urządzenia na zewnątrz domu, do odkurzania mokrych powierzchni ani do zbierania wody.

Nie wolno wciągać twardych lub ostrych przedmiotów, zapalek, gorącego popiołu, niedopałków papierosów ani innych podobnych przedmiotów.

Nie spryskiwać łatwopalnymi cieczami, środkami czyszczącymi w aerozolu ani parą.

Nie stąpać po przewodzie zasilającym podczas korzystania z urządzenia i nie wyjmować wtyczki, ciągnąc za przewód zasilający.

Nie kontynuować eksploatacji uszkodzonego urządzenia.

**Serwis firmy HOOVER:** Aby zapewnić bezpieczne i sprawne działanie tego urządzenia, zalecamy zlecenie prac serwisowych lub napraw wyłącznie serwisantom autoryzowanego punktu serwisowego firmy HOOVER.

Nie stawać na przewodzie zasilającym i nie owijać go sobie wokół rąk lub nóg podczas korzystania z urządzenia.

Nie używać urządzenia do odkurzania ludzi lub zwierząt.

Nie ustawiać urządzenia powyżej swojego poziomu podczas odkurzania schodów.

#### Ochrona środowiska

Symbol umieszczony na urządzeniu oznacza, że nie jest ono klasyfikowane jako odpad z gospodarstwa domowego. Urządzenie należy zdać w odpowiednim punkcie utylizacji w celu recyklingu komponentów elektrycznych i elektronicznych. Urządzenie należy złomować zgodnie z lokalnymi przepisami w sprawie utylizacji odpadów. Dodatkowe informacje na temat sposobu utylizacji, złomowania i recyklingu urządzenia można uzyskać w lokalnym urzędzie miejskim, w komunalnym zakładzie utylizacji odpadów lub w sklepie, w którym produkt został zakupiony.



 Urządzenie spełnia wymogi europejskich norm 2014/35/WE, 2014/30/WE oraz 2011/65/WE.

CANDY HOOVER GROUP S.r.l. Via Privata Eden Fumagalli, 20861 Brugherio (MB) Italy

### ELEMENTY ODKURZACZA

- A. Pedał zwijania przewodu
- B. Pokrywa filtra wywiewnego
- C. Filtr wylotowy
- D. Gniazdo
- E. Pedał wł./wył.
- F. Przycisk zwalniający pojemnik na kurz
- G. Zestaw pojemnika na kurz
- H. Obudowa
- I. Wąż
- J. Regulator siły ssania
- K. Uchwyt na wąż
- L. Rura teleskopowa
- M. Regulacja rury teleskopowej
- N. Przełącznik typu podłogi\*
- O. & O1. Szczotka dywanowo-podłogowa (GP)\*\*
- O2. Ssawka do dywanów (CA)\*\*
- O3. Ssawka do twardych podłóg (HF)\*\*
- P. Klapka pojemnika na kurz
- Q. Przycisk zwalniający klapkę pojemnika na kurz
- R. Pojemnik na kurz
- S. Separator wielocyklonowy
- T. Filtr przed silnikiem
- U. Pokrywa pojemnika na kurz
- V. Szczotka 2 w 1
- W. Turboszczotka mini do usuwania sierści zwierząt\*
- X. Turboszczotka mini do usuwania alergenów\*
- Y. Szczotka do parkietów\*

### MONTAŻ ODKURZACZA

Wyjmij wszystkie elementy z opakowania.

1. Podłącz wąż do obudowy głównej odkurzacza, upewniając się, że został zatrzaśnięty i zablokowany na swoim miejscu. Aby zwolnić: naciśnij przycisk na końcówce węża i pociągnij. [1]
2. Podłącz uchwyt węża do górnej końcówki rury przedłużającej [2] lub zamocuj ewentualne akcesoria.
3. Połącz dolny koniec teleskopowej rury do ssawki do dywanów i podłogi \*\* [3] lub, w razie potrzeby, z odpowiednim akcesorium.

### KORZYSTANIE Z ODKURZACZA

1. Wyciągnij przewód zasilający i podłącz go do zasilania. Nie należy wyciągać przewodu poza czerwony znacznik. [4]
2. Ustaw rurę teleskopową na żądaną wysokość, przesuwając jej regulację w górę i

- podnosząc lub opuszczając uchwyt do najwygodniejszego położenia. [5]
- Szczotka dywanowo-podłogowa\*\* - Naciśnij przełącznik typu podłogi na szczotce [6], aby wybrać tryb odkurzania właściwy dla danego typu powierzchni.
    - Twarda podłoga** – Szczotki są obniżone, aby chronić podłogę.
    - Dywan** – Szczotki są podniesione, aby umożliwić głębsze czyszczenie.
- Szczotka dywanowo-podłogowa\*\*:** [7]
- Czyszczenie twardych podłóg:** Naciśnij stopą przełącznik znajdujący się na ssawce i ustaw go w pozycji TWARDA PODŁOGA, a następnie ustaw suwak na ssawce w pozycji WSZYSTKIE RODZAJE PODŁÓG. W tej pozycji szczotki, kółka i pióra wycieraczki są obniżone, aby ochronić twardą podłogę. [7a]
  - Standardowe czyszczenie dywanów i chodników:** Naciśnij stopą przełącznik znajdujący się na ssawce i ustaw go w pozycji DYWANY, a następnie ustaw suwak na ssawce w pozycji WSZYSTKIE RODZAJE PODŁÓG. W tej pozycji szczotki i pióra wycieraczki są podniesione, a kółka obniżone, aby ułatwić przesuwanie szczotki po powierzchni dywanu. [7b]
  - Głębokie czyszczenie dywanów:** Naciśnij stopą przełącznik znajdujący się na ssawce i ustaw go w pozycji DYWANY, a następnie ustaw suwak na ssawce w pozycji GŁĘBOKIE CZYSZCZENIE DYWANÓW. W tej pozycji szczotki, kółka i pióra wycieraczki są podniesione, aby umożliwić dogłębne wyczyszczenie dywanu. [7c]
- Ostrzeżenie: Aby uniknąć ryzyka zadrapania drewnianej podłogi, zaleca się, aby nie pozostawiać przełącznika w pozycji TWARDA PODŁOGA, a suwaka w pozycji GŁĘBOKIE CZYSZCZENIE DYWANÓW.**
- Włącz urządzenie naciskając przycisk on/off. [8]
  - Ustaw moc ssania na uchwycie na żądany poziom. [9]
  - Po zakończeniu pracy wyłącz odkurzacz za pomocą pedału Wł./Wył. Wyjmij wtyczkę z gniazdka i naciśnij pedał zwijania przewodu, aby zwinąć go z powrotem do odkurzacza. [10]

#### PRZERWA W PRACY I PRZECHOWYWANIE

Na czas, kiedy odkurzacz nie jest używany lub w celu jego przechowania, rurę z zamocowaną ssawką można zaparkować na tylnej ścianie odkurzacza. [11]

### AKCESORIA I KOŃCÓWKI

Aby uzyskać optymalne wyniki oraz wydajność energetyczną<sup>#1</sup>, zaleca się stosowanie prawidłowych końcówek podczas głównych czynności czyszczenia. Ssawki są wskazane na schematach i oznaczone literami **GP**, **HF** lub **CA**.

Ssawką typu **GP** można odkurzać zarówno dywany, jak i twarde podłogi.

Ssawka typu **HF** jest odpowiednia tylko do odkurzania twardych podłóg.

Ssawka typu **CA** jest odpowiednia tylko do odkurzania dywanów.

Pozostałe ssawki to akcesoria do specjalistycznych zadań czyszczących. Zaleca się używać ich jedynie okazjonalnie.

Należy podkreślić, że niniejszy odkurzacz jest dostarczany wraz z etykietą energetyczną zgodnie z wymogami Rozporządzenia (UE) 665/2013.

Jeśli na etykiecie znajduje się czerwony znak zakazu umieszczony na symbolu dywanu, oznacza to, że ten odkurzacz nie nadaje się do odkurzania dywanów.

Jeśli na etykiecie znajduje się czerwony znak zakazu umieszczony na symbolu twardej podłogi, oznacza to, że ten odkurzacz nie nadaje się do odkurzania twardych podłóg

**#1 UWAGA:** Wskaźnik zbierania kurzu na dywanie, wskaźnik zbierania kurzu na dywanie oraz klasa efektywności energetycznej zgodnie z Regulacjami Komisji (UE) 665/2013 i 666/2013.

Wszystkie akcesoria mogą zostać zamocowane na uchwycie węża lub końca rury teleskopowej.

**Szczotka 2 w 1** – Łączy kilka funkcji w jednym narzędziu: [V]

**Szczotka do kurzu** – Do półek z książkami, ram obrazów, klawiatur i innych delikatnych miejsc.

**Ssawka szczelinowa** – Do odkurzania kątów i innych trudno dostępnych miejsc.

**Szczotka do parkietów\*** – Do parkietów i innych delikatnych powierzchni podłogowych. [Y]

**Turboszczotka mini do usuwania sierści zwierząt\*** - Turboszczotka mini służy do odkurzania schodów lub głębokiego odkurzania powierzchni pokrytych tkaninami i innych trudnych do czyszczenia powierzchni. Nadaje się w szczególności do usuwania sierści zwierząt. [W]

**Turboszczotka mini do usuwania alergenów\*** – Turboszczotka mini służy do odkurzania schodów lub głębokiego odkurzania powierzchni pokrytych tkaninami i innych trudnych do czyszczenia powierzchni. Nadaje się w szczególności do usuwania alergenów. [X]

**WAŻNE:** Nie należy korzystać z turboszczotek mini do odkurzania dywaników z długimi frędzlami, skór zwierzęcych i puszystych dywanów o włosie dłuższym niż 15mm. **Nie trzymać ssawki nieruchomo, gdy szczotka się obraca.**

### KONSERWACJA URZĄDZENIA

#### Opróżnianie pojemnika na kurz

Gdy poziom kurzu osiągnie maksymalny poziom na wskaźniku zapelnienia pojemnika, należy opróżnić pojemnik na kurz.

**WAŻNE:** Aby uzyskać optymalną wydajność, nie wolno pozwolić, aby poziom kurzu przekroczył maksymalny poziom.

- Wyłącz odkurzacz, naciskając stopą przycisk on/off i wyjmij kabel zasilający z gniazdka. [8]
- Naciśnij przycisk zwalnający pojemnik na kurz i wyjmij z odkurzacza zestaw pojemnika na kurz. [12]
- Jedną ręką trzymaj pojemnik na kurz, a drugą naciśnij znajdujący się na nim przycisk, aby opróżnić pojemnik. [13]
- Zamknij klapę pojemnika na kurz i wyrównaj jej poziom z korpusem odkurzacza.

#### Czyszczenie filtrów zmywalnych

Odkurzacz jest wyposażony w filtr przed silnikiem oraz w filtr wylotowy. Aby utrzymać optymalną wydajność odkurzacza, należy regularnie wyjmować filtry i oczyszczać je z nadmiaru kurzu, opukując o brzeg pojemnika. Filtry należy myć po każdym 5. opróżnieniu pojemnika lub gdy zgromadziła się na nich nadmierna ilość kurzu.

**WAŻNE:** Wszystkie bezworkowe odkurzacze wymagają regularnego czyszczenia filtrów. Niedostateczne czyszczenie filtrów może doprowadzić do zapchania, przegrzania i uszkodzenia odkurzacza. Może to spowodować wygaśnięcie gwarancji.

**WAŻNE:** Należy regularnie sprawdzać i konserwować filtry.

**WAŻNE:** Przed użyciem odkurzacza zawsze upewnij się, że filtry są całkowicie suche.

#### Aby uzyskać dostęp do filtra przed silnikiem:

1. Naciśnij przycisk zwalniający pojemnik na kurz i wyjmij go z odkurzacza. [12]
2. Jedną ręką trzymaj pojemnik na kurz, a drugą zdejmij z niego pokrywę, obracając ją w kierunku przeciwnym do ruchu wskazówek zegara. [14]
3. Wyjmij zestaw filtra przed silnikiem z zestawu pojemnika na kurz. [15]
4. Delikatnie opukać i umyć filtr przed silnikiem. Nie stosować gorącej wody ani detergentów. Wyciśnij nadmiar wody z filtra i pozostaw do całkowitego wyschnięcia przed ponownym założeniem. [20,21]
5. Po całkowitym wyschnięciu zmontować zestaw filtra przed silnikiem i zamocować z powrotem w odkurzaczu.

#### Aby uzyskać dostęp do filtra wylotowego:

1. Zwolnić pokrywę filtra wywiewnego w tylnej części odkurzacza. [18]
2. Wyjąć filtr wywiewny z tylnej części odkurzacza. [19]
3. Ostrożnie usuń kurz i umyć w ciepłej wodzie filtr. Nie stosować gorącej wody ani detergentów. Wyciśnij nadmiar wody z filtra i pozostaw do całkowitego wyschnięcia przed ponownym założeniem. [20,21]
4. Po całkowitym wyschnięciu zamontować filtr wylotowy w tylnej części odkurzacza i założyć pokrywę filtra.

**WAŻNE:** Nie należy używać urządzenia bez założonego zestawu filtra.

#### Czyszczenie pojemnika na kurz/separatora

W odkurzaczu zastosowany system separacji opracowany przez firmę Hoover. W razie potrzeby separator można zdemontować z pojemnika na kurz, aby go wyczyścić.

1. Naciśnij przycisk zwalniający pojemnik na kurz i wyjmij z odkurzacza zestaw pojemnika na kurz. [12]
2. Jedną ręką trzymaj pojemnik na kurz, a drugą zdejmij z niego pokrywę, obracając ją w kierunku przeciwnym do ruchu wskazówek zegara. [14]
3. Wyjmij zestaw filtra przed silnikiem z zestawu pojemnika na kurz. Następnie pociągnij separator wielocyklonowy, aby go wyjąć z pojemnika na kurz. [15,16]
4. W razie potrzeby użyj szmatki, aby usunąć nagromadzony kurz z powierzchni separatora cyklonowego. [17]
5. W razie potrzeby wypłucz pojemnik na kurz letnią wodą. Wewnętrzne powierzchnie pojemnika na kurz należy czyścić tylko wodą. NIE używać detergentów na bazie mydła do czyszczenia wewnętrznych części pojemnika na kurz.
6. Ponownie zamontuj filtr wewnętrzny i filtr przed silnikiem w pojemniku na kurz.
7. Załóż ponownie pokrywę na pojemniku na kurz. Ponownie zamontuj pojemnik na kurz w odkurzaczu.

#### Usuwanie niedrożności

1. Sprawdź, czy pojemnik na kurz jest pełny. Jeśli tak, zobacz rozdział „Opróżnianie pojemnika na kurz”.

2. Jeśli pojemnik na kurz jest pusty, ale siła ssania jest nadal niedostateczna:
  - A. Czy trzeba wyczyścić filtry? Jeśli tak, zobacz rozdział „Czyszczenie filtrów zmywalnych”.
  - B. Sprawdź, czy występują jakiegokolwiek niedrożności w układzie. - Za pomocą patyka lub pręta przetkaj rurę przedłużającą lub przewód giętki.
  - C. Sprawdź, czy filtr przed silnikiem jest zamocowany.
  - D. Sprawdź, czy separator wymaga czyszczenia. Zobacz rozdział „Czyszczenie separatora”.

### LISTA KONTROLNA UŻYTKOWNIKA

W razie wystąpienia problemu z urządzeniem należy skorzystać z poniższej prostej listy kontrolnej użytkownika przed skontaktowaniem się z lokalnym serwisem firmy Hoover.

- Czy gniazdko, do którego podłączono odkurzacze, jest pod napięciem? Sprawdź gniazdko elektryczne, podłączając do niego inne urządzenie elektryczne.
- Czy pojemnik na kurz jest przepelniony? Zobacz rozdział „Konserwacja odkurzacza”.
- Czy filtr jest niedrożny? Zobacz rozdział „Konserwacja odkurzacza”.
- Czy wąż lub szczotki są zatkane? Zobacz rozdział „Usuwanie niedrożności z układu”.
- Czy nie nastąpiło przegrzanie odkurzacza? W przypadku przegrzania odkurzacze automatycznie ponownie uruchomi się po około 30 minutach.

### WAŻNE INFORMACJE

#### Części zapasowe i materiały eksploatacyjne firmy Hoover

Należy zawsze wymieniać części na oryginalne części zapasowe firmy Hoover. Można je nabyć w lokalnym serwisie firmy Hoover lub bezpośrednio w firmie Hoover. Przy zamawianiu części zawsze należy podać numer danego modelu.

#### Serwis firmy Hoover

Jeśli kiedykolwiek wymagana będzie naprawa, należy skontaktować się z lokalnym punktem serwisowym firmy Hoover.

#### Jakość

Fabryki firmy Hoover zostały poddane niezależnej kontroli pod kątem jakości. Nasze produkty zostały wytworzone z wykorzystaniem systemu kontroli jakości spełniającego wymogi normy ISO 9001.

#### Gwarancja

Warunki gwarancji na niniejsze urządzenie są określone przez naszego przedstawiciela w kraju, w którym urządzenie jest sprzedawane. Szczegółowe informacje na temat warunków gwarancji można uzyskać w punkcie, w którym urządzenie zostało nabyte. Przy zgłaszaniu wszelkich roszczeń w ramach gwarancji należy przedstawić dowód sprzedaży lub pokwitowanie.

Zastrzegamy sobie możliwość wprowadzania zmian bez wcześniejszego powiadomienia.

## NÁVOD K BEZPEČNÉMU POUŽITÍ

Tento vysavač by měl být používán pouze pro úklid domácnosti a v souladu s touto uživatelskou příručkou. Než začnete spotřebič používat, ujistěte se, že rozumíte tomuto návodu.

Nenechávejte zařízení zapnuté v zásuvce. Před čištěním nebo jakoukoli údržbou zařízení vždy vypněte a síťovou šňůru vytáhněte ze zásuvky.

Tento přístroj smí používat děti od 8 let výše a osoby se sníženými fyzickými, smyslovými nebo mentálními schopnostmi nebo s nedostatkem zkušeností a znalostí, pokud jsou pod dohledem nebo jim byly dány pokyny týkající se bezpečného používání tohoto přístroje a byly seznámeny s možnými riziky jeho používání. S přístrojem si nesmí hrát děti. Čištění a údržbu nesmí provádět děti bez dohledu.

Jestliže je poškozena síťová šňůra, okamžitě přestaňte zařízení používat. abyste se vyhnuli ohrožení bezpečnosti, napájecí kabel musí být vyměněn autorizovaným technikem společnosti HOOVER.

Udržujte dostatečnou vzdálenost rukou, nohou, volného oděvu a vlasů z dosahu otočných kartáčů.

Používejte výhradně příslušenství, spotřební materiál a náhradní díly doporučené nebo dodávané firmou HOOVER.

**Statická elektřina:** Při čištění některých koberců vzniká malé množství statické elektřiny. Výboje statické elektřiny neohrožují zdraví.

Nepoužívejte Vaše zařízení venku, na mokré povrchy nebo na mokrá vysávání.

Nevysávejte tvrdé nebo ostré předměty, zápalky, žhavý popel, cigaretové nedopalky a podobné předměty.

Nestříkejte nebo nevysávejte hořlavé kapaliny, čisticí tekutiny, aerosoly nebo jejich výpary.

Během použití zařízení nepřejíždějte přes síťovou šňůru a nevytahujte síťový kabel ze zásuvky taháním za šňůru.

Nepoužívejte zařízení, pokud Vám připadá vadné.

**Servis HOOVER:** Pro zajištění vždy bezpečné a efektivní práce s přístrojem doporučujeme, aby jakékoliv servisní práce nebo opravy prováděl pouze autorizovaný servisní pracovník společnosti Hoover.

Během použití zařízení nestůjte na síťové šňůře ani si ji neovíjejte kolem paží či nohou.

Nepoužívejte zařízení pro čištění zvířat a osob.

Při úklidu schodů nestavte zařízení na vyšší schod, než se nacházíte vy.

### Životní prostředí

Symbol na tomto zařízení označuje, že tento výrobek nesmí být likvidován jako domovní odpad. Zařízení musí být předáno do příslušného sběrného místa pro likvidaci elektrických a elektronických zařízení. Likvidace musí proběhnout v souladu s místními ekologickými předpisy pro likvidaci odpadu. Pro další podrobné informace o zacházení, regeneraci a likvidaci tohoto zařízení prosím kontaktujte Váš místní úřad, společnost pro sběr odpadu nebo obchod, kde jste jej zakoupili.



**CE** Tento spotřebič je v souladu s evropskými směnicemi 2014/35/EU, 2014/30/EU a 2011/65/EU.

CANDY HOOVER GROUP S.r.l. Via Privata Eden Fumagalli, 20861 Brugherio (MB) Italy

## SEZNÁMENÍ S VYSAVAČEM

- A. Pedál navíjení kabelu
- B. Kryt výstupního filtru
- C. Výstupní filtr
- D. Parkovací štěrbinu
- E. Pedál zapnutí/vypnutí
- F. Tlačítko pro uvolnění zásobníku na nečistoty
- G. Soustava zásobníku na prach
- H. Hlavní část vysavače
- I. Hadice
- J. Regulátor sání
- K. Madlo hadice
- L. Teleskopická trubka
- M. Nastavení teleskopické trubky
- N. Volič typu podlahy\*
- O. & O1. Hubice na koberce a podlahy (GP)\*\*
  - O2. Hubice na koberce (CA)\*\*
  - O3. Hubice na tvrdé podlahy (HF)\*\*
- P. Klapka zásobníku na prach
- Q. Tlačítko k uvolnění klapky a vyprázdnění zásobníku
- R. Zásobník na prach
- S. Multi-cyklonová separační jednotka
- T. Filtr před motorem
- U. Kryt zásobníku na prach
- V. Příslušenství 2 v 1
- W. Mini turbo hubice pro odstranění zvířecí srsti\*
- X. Mini turbo hubice pro odstranění alergenů\*
- Y. Parketová hubice\*

## SESTAVENÍ VYSAVAČE

Vybalte všechny díly vysavače.

1. Připojte hadici k vysavači a přesvědčte se, že je spolehlivě zajištěna v provozní poloze. Při uvolnění: jednoduše stiskněte dvě tlačítka na hadici a zatáhněte za ni. [1]
2. Připojte madlo hadice k horní teleskopické trubici [2], případně k příslušenství.
3. Připojte spodní konec trubice k horní teleskopické trubici na koberce a podlahu\*\* [3], případně k příslušenství.

## JAK POUŽÍVAT VYSAVAČ

1. Vytáhněte síťovou šňůru a zapojte ji do zásuvky. Netahejte šňůru za červenou značku. [4]
2. Nastavte teleskopickou trubici do požadované výšky přesunutím seřizovacího tlačítka teleskopické trubice a pohybujte držadlem nahoru nebo dolů do polohy nejpohodlnější pro vysávání. [5]
3. Hubice na koberce a podlahy\*\* - Sešlápněte volič druhu podlahy na hubici [6] a zvolte režim čištění vhodný pro daný typ podlahy.

**Tvrdá podlaha** – Štětiny jsou vysunuté, aby nedošlo k poškrábání podlahy.

**Koberce** – Štětiny jsou zasunuté, aby bylo zajištěno účinné čištění.

### Hubice na koberce a podlahy\*\*: [7]

- **Čištění tvrdých podlah:** Pomocí pedálu na hubici přepněte na režim tvrdé podlahy a upravte posuvník na hubici na VŠECHNY PODLAHY. V této poloze jsou štětiny, kolečka i stírací lišta vysunuty, aby nedošlo k poškrábání tvrdé podlahy. [7a]
  - **Čištění běžných koberců:** Pomocí pedálu na hubici přepněte na režim koberce a upravte posuvník na hubici na VŠECHNY PODLAHY. V této poloze jsou štětiny a stírací lišta zasunuty a kolečka jsou vysunuta, aby byl zajištěn bezproblémový pohyb po podlaze. [7b]
  - **Hloubkové čištění koberců.** Pomocí pedálu na hubici přepněte na režim koberce a upravte posuvník na hubici na HLOUBKOVÉ ČIŠTĚNÍ KOBERCŮ. V této poloze jsou štětiny, stírací lišta i kolečka zasunuty, aby bylo zajištěno hloubkové čištění vašeho koberce. [7c]
- VAROVÁNÍ: Abyste nepoškrábali dřevěné podlahy, nedoporučujeme kombinaci pedálu v poloze pro tvrdé podlahy a posuvník v poloze pro hloubkové čištění.**
4. Zapněte čistič stlačením pedálu Zap/Vyp na hlavní části čističe. [8]
  5. Regulátor sání na madle uveďte do požadované polohy. [9]
  6. Po ukončení čištění vypněte čistič stlačením pedálu Zap/Vyp. Vytáhněte zástrčku síťové šňůry ze zásuvky a stisknutím pedálu navíječe navíňte šňůru do vysavače. [10]

### PARKOVACÍ A SKLADOVACÍ POZICE

Pro uskladnění nebo dočasné uložení v během používání lze trubici přichytit k zadní straně čističe. [11]

## NÁSTAVCE A PŘÍSLUŠENSTVÍ

Chcete-li získat co nejlepší výkon a energetickou účinnost #1 je doporučeno, aby byly použité správné trysky pro hlavní čisticí operace. Tyto nástavce jsou uvedeny v diagramech symboly **GP**, **HF** nebo **CA**.

Nástavec typu **GP** lze použít jak pro čištění koberce tak na tvrdé podlahy.

Nástavec typu **HF** je vhodný pouze pro použití na tvrdé podlahy.

Nástavec typu **CA** je vhodný pouze pro použití na koberce.

Další nástavce jsou příslušenství pro specializovaná čištění a jsou doporučeny pouze pro příležitostná použití.

Je důležité si uvědomit, že tento vysavač je dodáván s energetickým štítkem podle požadavků Evropského nařízení (EU) 665/2013.

Je-li označení na štítku zákazový červený kruh na levé straně pokrývající symbol koberce, pak to znamená, že vysavač není vhodné použít na koberec.

Je-li označení na štítku zákazový červený kruh na pravé straně pokrývající symbol tvrdé podlahy, pak to znamená, že vysavač není vhodné použít na tvrdé podlahy.

**#1 POZNÁMKA:** Schopnost vyzvednout prach z koberce, schopnost vyzvednout prach z tvrdé podlahy a energetická účinnost v souladu s Nařízením Komise (EU) 665/2013 a (EU) 666/2013.

Veškeré příslušenství lze upevnit na konec hadice nebo na teleskopické trubice.

**Nástroj 2 v 1** – Kombinuje řadu funkcí v jednom nástroji: **[V]**

**Prachový kartáč** – Pro šetrné čištění knihoven, rámu, klávesnic apod.

**Štěrbínový nástavec** – Na rohy a obtížně přístupná místa.

**Parketová hubice\*** – Pro parketové podlahy a jiné citlivé podlahy. **[Y]**

**Mini turbo hubice pro odstranění zvířecí srsti\*** – Mini turbo hubici používejte pro úklid schodišť nebo pro hloubkové čištění textilních povrchů a jiných obtížně přístupných ploch. Vhodné zejména pro odstraňování chlupů zvířat. **[W]**

**Mini turbo hubice pro odstranění alergenů\*** – Mini turbo hubici používejte pro úklid schodišť nebo pro hloubkové čištění textilních povrchů a jiných obtížně přístupných ploch. Vhodné zejména pro odstraňování alergenů. **[X]**

**DŮLEŽITÉ UPOZORNĚNÍ:** Nepoužívejte miNiturBohubici na čištění koberců s dlouhými trásněmi, pelíšků domácích zvířat a koberců s vlasem delším než 15 mm. **Pokud se kartáče otáčejí, hubice nesmí zůstat na jednom místě.**

## ÚDRŽBA VYSAVAČE

### Vyprázdnění zásobníku na prach

Jestliže ukazatel na zásobníku ukazuje, že množství prachu dosáhlo maximálního množství, je třeba zásobník vyprázdnit.

**DŮLEŽITÉ UPOZORNĚNÍ:** Pokud chcete dosáhnout optimální funkce vysavače, množství prachu nesmí přesáhnout úroveň označenou značkou Max.

1. Hlavním spínačem vypněte čistič a odpojte napájecí kabel ze zásuvky. **[8]**
2. Uvolněte zásobník na prach stisknutím tlačítka uvolnění zásobníku a vyjměte zásobník na prach z vysavače. **[12]**
3. Podržte zásobník prachu jednou rukou a stiskněte tlačítko vyprázdnění zásobníku a vysypte prach. **[13]**
4. Zavřete klapku zásobníku a vložte zpět do vysavače.

### Čištění omyvatelného filtru

Vysavač je vybaven vstupním a výstupním filtrem. K zajištění optimálního výkonu čištění

filtry pravidelně vyndejte a vyklepejte prach o okraj popelnice. Filtry je třeba umývat při každém pátém vyprázdnění kazet nebo při nadměrném zanesení filtru prachem.

**DŮLEŽITÉ UPOZORNĚNÍ:** Všechny bezsáčkové vysavače vyžadují pravidelné čištění filtrů. V opačném případě může dojít k zablokování vzduchu, přehřátí a závadě spotřebiče. Může to vést ke ztrátě záruky.

**DŮLEŽITÉ UPOZORNĚNÍ:** Filtry je třeba pravidelně kontrolovat a čistit.

**DŮLEŽITÉ UPOZORNĚNÍ:** Před použitím musí být filtry vždy zcela suché.

#### Přístup k filtru před motorem:

1. Stiskněte tlačítko uvolnění zásobníku a vyjměte zásobník na prach z vysavače. **[12]**
2. Jednou rukou podržte nádobu na prach a druhou rukou sundejte víko otočením doleva. **[14]**
3. Vyndejte vstupní filtr ze soustavy nádoby na prach. **[15]**
4. Jemně poklepejte a umyjte vstupní filtr motoru. Nepoužívejte horkou vodu nebo mycí prostředky. Odstraňte přebytečnou vodu z filtru a před použitím filtr nechte dokonale vyschnout. **[20,21]**
5. Když je vstupní filtr úplně suchý, znovu jej sestavte a vložte do vysavače.

#### Zpřístupnění výstupního filtru:

1. Odjste víko výstupního filtru na zadní straně vysavače. **[18]**
2. Odpojte výstupní filtr ze zadní strany vysavače. **[19]**
3. Filtr opatrně vyklepejte a umyjte v teplé vodě. Nepoužívejte horkou vodu nebo mycí prostředky. Odstraňte přebytečnou vodu z filtru a před použitím filtr nechte dokonale vyschnout. **[20,21]**
4. Když je výstupní filtr úplně suchý, znovu jej vložte do zadní strany vysavače a nasadte zpět kryt výstupního filtru.

**DŮLEŽITÉ UPOZORNĚNÍ:** Nepoužívejte vysavač bez instalovaného filtru.

### Čištění nádoby na prach / oddělující jednotky

Tento čisticí systém používá separační systém, který je jedinečný pro firmu Hoover. V případě potřeby je možné odmontovat separační jednotku z nádoby na prach a vyčistit ji.

1. Uvolněte zásobník na prach stisknutím tlačítka uvolnění zásobníku a vyjměte zásobník na prach z vysavače. **[12]**
2. Jednou rukou podržte nádobu na prach a druhou rukou sundejte víko otočením doleva. **[14]**
3. Vyndejte vstupní filtr ze soustavy nádoby na prach. Poté vytáhněte multi-cyklonickou separační jednotku ze zásobníku na prach. **[15,16]**
4. V případě potřeby použijte hadřík pro odstranění přebytečného prachu z povrchu multi-cyklonické jednotky. **[17]**
5. V případě potřeby omyjte zásobník ve vlažné vodě. Vnitřní plochy zásobníku omyvejte pouze vodou. K čištění vnitřního prostoru zásobníku NEPOUŽÍVEJTE mýdlové čisticí prostředky.
6. Znovu vložte vnitřní a vstupní filtr do zásobníku na prach.
7. Znovu připevněte kryt zásobníku na prach. Vložte zásobník na prach zpět do vysavače.

### Odstranění překážky

1. Zkontrolujte, zda není zásobník na prach plný. Pokud tomu tak je, postupujte podle části „Vyprázdnění zásobníku na prach“.

\* Pouze u některých modelů

\*\* Pouze některé modely, hubice se může lišit dle modelu

2. Zásobník na prach je prázdný, avšak podtlak je stále nedostatečný.
- Je třeba vyčistit filtry? Pokud ano, viz část „Čištění omyvatelného filtru“.
  - Zkontrolujte, zda není v systému jiná překážka - k odstranění jakékoliv překážky z teleskopické trubice nebo hadice použijte vhodnou tyč apod.
  - Zkontrolujte, zda je nasazený vstupní filtr.
  - Zkontrolujte, zda není nutné vyčistit odstředivý filtr. Viz část „Čištění odstředivé jednotky“.

## KONTROLNÍ SEZNAM UŽIVATELE

Pokud máte jakýkoli problém s výrobkem, proveďte kontrolu podle tohoto seznamu, než se obrátíte na servisní středisko Hoover.

- Funguje správně elektrická zásuvka, k níž je připojen vysavač? Zkontrolujte ji pomocí jiného spotřebiče.
- Není zásobník na prach přeplněný? Viz „Údržba vysavače“.
- Není ucpaný filtr? Viz „Údržba vysavače“.
- Není ucpaná hadice nebo hubice? Viz „Odstranění překážky ze systému“.
- Není vysavač přehřátý? Pokud ano, vyčkejte cca 30 minut, než se vysavač vrátí do funkčního stavu.

## DŮLEŽITÉ INFORMACE

### Náhradní díly a spotřební materiály Hoover

Vždy používejte originální náhradní díly společnosti Hoover. Získáte je u místního prodejce výrobků Hoover nebo u servisních partnerů. V objednávce dílů laskavě vždy uvádějte číslo modelu.

### Servis společnosti Hoover

S opravami se obraťte vždy na místní servisní středisko společnosti Hoover.

### Kvalita

Kvalita výroby ve výrobních závodech společnosti Hoover byla posouzena nezávislou organizací. Naše výrobky jsou vyráběny podle systému jakosti, který splňuje požadavky ISO 9001.

### Záruka

Záruční podmínky pro tento spotřebič stanovuje náš zástupce v zemi, v níž je spotřebič prodáván. Přesné znění podmínek vám poskytne prodejce, u něhož jste si zařízení zakoupili. Při reklamaci podle těchto záručních podmínek je nutno předložit doklad o koupi nebo převzetí.

Právo změny bez předchozího upozornění vyhrazeno.

## POKYNY PRE BEZPEČNÉ POUŽITIE

Tento spotřebič je určený na domáce čistenie, ako je uvedené v tejto používateľskej príručke. Pred použitím spotrebiča sa uistite, že ste tejto príručke plne porozumeli.

Spotřebič nenechávajte zapojený do elektrickej siete. Spotřebič vypnite a vyťahnite zástrčku zo zásuvky vždy po jeho použití, pred čistením, alebo akoukoľvek údržbou.

Tento spotřebič môžu používať deti staršie ako 8 rokov a osoby s obmedzenými fyzickými, zmyslovými alebo duševnými schopnosťami, alebo nedostatočnými skúsenosťami a znalosťami vtedy, ak sú pod pohľadom alebo im boli dané pokyny týkajúce sa bezpečného použitia spotrebiča a rozumejú možným rizikám. Deti sa so spotrebičom nesmú hrať. Čistenie a údržbu nesmú vykonávať deti bez dozoru.

Ak je napájací kábel poškodený, okamžite prestaňte spotřebič používať. Aby nedošlo k ohrozeniu bezpečnosti, napájací kábel musí vymeniť autorizovaný servisný technik spoločnosti HOOVER.

Ruky, nohy, voľné oblečenie a vlasy držte v bezpečnej vzdialenosti od rotujúcich kief.

Používajte iba príslušenstvo, spotrebný materiál alebo náhradné diely odporúčané alebo dodávané spoločnosťou HOOVER.

**Statická elektrina:** Niektoré koberce môžu spôsobiť menšie nahromadenie statickej elektriny. Prípadný statický výboj nie je zdraviu škodlivý.

Nepoužívajte spotřebič vonku, na akomkoľvek mokrom povrchu alebo na mokré vysávanie.

Nevysávajte tvrdé alebo ostré predmety, zápalky, horúci



popol, ohorky cigariet alebo iné podobné veci.

Nesprejujte alebo nevysávajte horľavé kvapaliny, čistiace roztoky, aerosóly alebo ich pary.

Pri používaní spotrebiča neprechádzajte cez napájací kábel a nevyťahujte zástrčku ťahaním za napájací kábel.

Spotrebič prestaňte používať, ak nefunguje správne.

**HOOVER servis:** Pre zaistenie dlhého, bezpečného a účinného fungovania tohto spotrebiča odporúčame, aby všetky servisné úkony alebo opravy vykonával len autorizovaný servisný technik spoločnosti HOOVER.

Počas používania spotrebiča nestojte na kábli ani ho neobtáčajte okolo paží alebo nôh.

Nepoužívajte spotrebič na čistenie zvierat alebo ľudí.

Pri čistení schodov neumiestňujte spotrebič nad seba.

#### Prostredie

Tento symbol na spotrebiči informuje, že s týmto spotrebičom sa nesmie zaobchádzať ako s domovým odpadom. Je potrebné ho odovzdať na príslušnom zbernom mieste na recykláciu elektrických a elektronických zariadení. Likvidácia musí byť vykonaná v súlade s miestnymi predpismi pre likvidáciu odpadu. Pre podrobnejšie informácie o nakladaní so spotrebičom, jeho obnove a recyklácii sa obráťte na váš obecný úrad, odpadkovú službu pre domácnosti a alebo obchod, kde ste spotrebič zakúpili.



**CE** Tento spotrebič je v súlade s európskymi smernicami 2014/35/EÚ 2014/30/EÚ a 2011/65/EÚ.

CANDY HOOVER GROUP S.r.l. Via Privata Eden Fumagalli, 20861 Brugherio (MB) Italy

## ČASTI VYSÁVAČA

- A. Pedál pre navinutie kábla
- B. Kryt výfukového filtra
- C. Výfukový filter
- D. Parkovacia pozícia
- E. Pedál zapnutia/vypnutia
- F. Tlačidlo na uvoľnenie nádoby na prach
- G. Jednotka nádoby na prach
- H. Hlavná časť vysávača
- I. Hadica
- J. Regulátor sania
- K. Držiak hadice
- L. Teleskopická trubica
- M. Nastavenie teleskopickkej trubice
- N. Pedál výberu typu podlahy\*
- O. & O1. Kobercová a podlahová hubica **(GP)\*\***
- O2. Kobercová hubica **(CA)\*\***
- O3. Hubica na tvrdú podlahu **(HF)\*\***
- P. Klapka nádoby na prach
- Q. Tlačidlo na uvoľnenie klapky nádoby na prach
- R. Nádobá na prach
- S. Viaccyklónová separačná jednotka
- T. Predfilter motora
- U. Kryt nádoby na prach
- V. Príslušenstvo 2 v 1
- W. Mini turbo hubica na odstránenie chlpcov zvierat\*
- X. Mini turbo hubica na odstránenie alergénov\*
- Y. Parketová hubica\*

## AKO ZLOŽIŤ VYSÁVAČ

Vyberte všetky súčasti z obalu.

1. Pripojte hadicu k hlavnému telesu vysávača a uistite sa, že dosadla a zapadla na svoje miesto. Pre uvoľnenie: stlačte tlačidlo na hadici a ťahajte. **[1]**
2. Pripojte držiak hadice k horného koncu predlžovacej tyče **[2]** alebo prípadne k príslušenstvu.
3. Pripojte spodný koniec predlžovacej trubice k hubici na koberce a podlahy\*\* **[3]** alebo prípadne k príslušenstvu.

## POUŽÍVANIE VYSÁVAČA

1. Vytiahnite sieťový kábel a zapojte ho do elektrickej zásuvky. Kábel nevyťahujte viac ako určíte červená značka. [4]
  2. Upravte teleskopickú trubicu do požadovanej výšky pohybom nastavenia teleskopической trubice smerom nahor a predĺžte alebo skráťte rukoväť na najpohodlnejšiu pozíciu pre vysávanie. [5]
  3. Kobercová a podlahová hubica\*\* - Stlačte volič typu podlahy na hubici [6] a zvolte najvhodnejší režim vysávania pre daný typ podlahy.
    - Tvrdá podlaha** – Kefy sú spustené, aby chránili podlahu.
    - Koberec** – Kefy sú zdvihnuté pre hlbšie vysávanie.
- Kobercová a podlahová hubica\*\*:** [7]
- **Vysávanie tvrdej podlahy:** Stlačte pedál na hubici do režimu tvrdej podlahy a presuňte posuvník na hubici na ALL FLOORS (všetky podlahy). V tejto polohe sú kefy, kolieska a stieracia lišta spustené, aby chránili podlahu. [7a]
  - **Štandardné vysávanie kobercov a koberčekov** Stlačte pedál na hubici do režimu koberca a presuňte posuvník na hubici na ALL FLOORS (všetky podlahy). V tejto polohe sú kefy a stieracia lišta zdvihnuté a kolieska sú spustené, aby bol možný jednoduchý pohyb na tomto typu povrchu. [7b]
  - **Hĺbkové vysávanie kobercov:** Stlačte pedál na hubici do režimu koberca a presuňte posuvník na hubici na DEEP CARPET CLEANING (hĺbkové vysávanie kobercov). V tejto polohe sú kefy, kolieska a stieracia lišta zdvihnuté, aby bolo možné hlbšie vysávanie koberca. [7c]
- UPOZORNENIE: Na zabránenie možnému poškriabaniu drevených podláh odporúčame, aby nebol pedál nastavený do režimu tvrdej podlahy a posuvník na hĺbkovom vysávaní kobercov.**
4. Vysávač zapnite stlačením pedálu zapnutia/vypnutia na hlavnom tele vysávača. [8]
  5. Upravte nastavenie sacieho výkonu na držiaku na požadovanú úroveň. [9]
  6. Po ukončení používania vypnite stlačením pedálu zapnutia/vypnutia. Vytiahnite zo zásuvky a stlačte pedál navinutia kábla pre navinutie napájacieho kábla naspäť to vysávača. [10]

## ODKLADANIE A USKLADNENIE

Trubicu a hubicu je možné uložiť na zadnú stranu vysávača pri uskladnení alebo pri krátkodobom uložení počas používania. [11]

## PRÍSLUŠENSTVO A HUBICE

Pre čo najlepší výkon a vynikajúcu energetickú<sup>#1</sup> účinnosť sa pri hlavnom vysávaní odporúča používanie správnych hubíc. Tieto hubice sú uvedené v grafoch pod písmenami **GP**, **HF** alebo **CA**.

Typ hubice **GP** sa dá použiť na vysávanie kobercov aj tvrdej podlahy.

Typ hubice **HF** je vhodný pre použitie len na tvrdej podlahe.

Typ hubice **CA** je vhodný pre použitie iba na koberci.

<sup>#1</sup>Iba u niektorých modelov

<sup>\*\*</sup>Iba u niektorých modelov, hubice sa môžu meniť v závislosti od modelu

Ďalšie hubice sú príslušenstvom pre špeciálne vysávanie a odporúčajú sa iba na príležitostné použitie.

Všimnite si, že tento vysávač je vybavený energetickým štítkom v zmysle Európskeho nariadenia (EÚ) 665/2013.

Ak štítok zobrazuje na ľavej strane červený kruhový zákaz, ktorý prekrýva symbol koberca, znamená to, že vysávač nie je vhodný pre použitie na kobercoch.

Ak štítok zobrazuje na pravej strane červený kruhový zákaz, ktorý prekrýva symbol tvrdej podlahy, znamená to, že vysávač nie je vhodný pre použitie na tvrdých podlahách.

**#1 POZNÁMKA:** Schopnosť vysať prach z koberca, schopnosť vysať prach z tvrdej podlahy a energetická účinnosť v súlade s nariadeniami Komisie (EÚ) 665/2013 a (EÚ) 666/2013.

Všetko príslušenstvo sa dá upevniť na koniec držiaku hadice alebo na koniec teleskopической trubice.

**Nástroj 2 v 1** – Kombinuje viacero funkcií do jedného nástroja: [V]

**Oprašovacia kefka** – Na police s knihami, rámy, klávesnice a iné úzke miesta.

**Nástavec na štrbiny** – Na rohy a ťažko prístupné miesta.

**Parketová hubica\*** – Pre parketové podlahy a iné jemné podlahy. [Y]

**Mini turbo hubica na odstránenie chlív zvierat\*** - Mini turbo hubica sa používa na schodoch alebo na hĺbkové vysávanie textilných povrchov a iných miest, ktoré sa ťažko vysávajú. Zvlášť vhodná na odstraňovanie zvieracích chlív. [W]

**Mini turbo hubica na odstránenie alergénov\*** – Mini turbo hubica sa používa na schodoch alebo na hĺbkové vysávanie textilných povrchov a iných miest, ktoré sa ťažko vysávajú. Zvlášť vhodná na odstraňovanie alergénov. [X]

**DÔLEŽITÉ** Nepoužívajte MiNiturBohubicu na čistenie kobercov s dlhými strapcami, peľochov domácich zvierat a kobercov s vlasom dlhším než 15 mm. **Keď sa kefa otáča, hubica nesmie zostať na jednom mieste.**

## ÚDRŽBA VYSÁVAČA

### Vyprázdenie nádoby na prach

Keď prach v nádobe dosiahne ukazovateľ maximálnej hladiny, nádobu na prach vyprázdnite.

**DÔLEŽITÉ** Pre udržanie čo najlepšieho výkonu nedovoľte, aby bol prach nad indikátorom maximálnej hladiny.

1. Vypnite vysávač stlačením pedálu zapnutia/vypnutia a vytiahnite napájací kábel zo zásuvky. [8]
2. Stlačte tlačidlo uvoľnenia nádoby na prach a vytiahnite jednotku nádoby na prach z vysávača. [12]
3. Nádobu na prach držte jednou rukou a na vyprázdenie prachu stlačte uvoľňovacie tlačidlo nádoby na prach. [13]
4. Zatvorte klapku nádoby na prach a uložte nádobu naspäť do hlavného telesa vysávača.

## Čistenie umývateľných filtrov

Vysávač je vybavený predfiltrom motora a výstupným filtrom. Na zaistenie optimálneho výkonu čistenia, pravidelne vyberte filtre a odstráňte z nich prach oklepaním o okraj nádoby na prach. Filtre je potrebné čistiť po 5tich vysypaniach nádoby na prach alebo ak sú filtre zanesené.

**DÔLEŽITÉ** Všetky bezsáčkové vysávače si vyžadujú pravidelné čistenie filtrov. V prípade nevyčistenia filtrov môže dôjsť k upchatiu prívodu vzduchu, prehriatiu a zlyhaniu výrobku. Môže to spôsobiť zrušenie záruky.

**DÔLEŽITÉ** Filtre pravidelne kontrolujte a starajte sa o ne.

**DÔLEŽITÉ** Vždy pred použitím sa uistite, že sú filtre úplne vysušené.

### Pre prístup k predfiltromu motora:

1. Stlačte tlačidlo uvoľnenia nádoby na prach a vytiahnite nádobu na prach z vysávača. **[12]**
2. Nádobu na prach držte jednou rukou a odstráňte kryt nádoby na prach otáčaním druhou rukou v smere doľava. **[14]**
3. Vyberte jednotku predfiltra motora z jednotky nádoby na prach. **[15]**
4. Predfiltrom motora jemne poklopte a umyte ho. Nepoužívajte horúcu vodu alebo čistiace prostriedky. Z filtra odstráňte prebytočnú vodu a pred opakovaným použitím ho nechajte úplne vyschnúť. **[20,21]**
5. Po úplnom vysušení znovu zložte jednotku predfiltra motora a založte do vysávača.

### Pre prístup k výfukovému filtru:

1. Odopnite kryt výstupného filtra od zadnej časti hlavného telesa vysávača. **[18]**
2. Vyberte výstupný filter zo zadnej časti vysávača. **[19]**
3. Filter jemne poklopte a umyte teplou vodou. Nepoužívajte horúcu vodu alebo čistiace prostriedky. Z filtra odstráňte prebytočnú vodu a pred opakovaným použitím ho nechajte úplne vyschnúť. **[20,21]**
4. Po úplnom vysušení znovu založte výfukový filter do zadnej časti vysávača a upevnite kryt výfukového filtra.

**DÔLEŽITÉ** Nepoužívajte výrobok bez toho, aby bol založený prefilter motora.

## Čistenie nádoby na prach/separačnej jednotky

Tento vysávač používa špeciálny separačný systém spoločnosti Hoover. V prípade potreby je možné separačnú jednotku odmontovať od nádoby na prach a vyčistiť.

1. Stlačte tlačidlo uvoľnenia nádoby na prach a vytiahnite jednotku nádoby na prach z vysávača. **[12]**
2. Nádobu na prach držte jednou rukou a odstráňte kryt nádoby na prach otáčaním druhou rukou v smere doľava. **[14]**
3. Vyberte jednotku predfiltra motora z jednotky nádoby na prach. Následne potiahnutím vyberte viaccyklónovú separačnú jednotku z nádoby na prach. **[15,16]**
4. V prípade potreby použite handru na odstránenie prachu z povrchu viaccyklónovej separačnej jednotky. **[17]**
5. V prípade potreby opláchnite nádobu na prach letnou vodou. Vnútorne povrchy nádoby na prach umývajte iba vodou. Na umývanie vnútorných častí nádoby na prach **NEPOUŽÍVAJTE** mydlové čistiace prostriedky.
6. Znovu zložte vnútorné časti a prefilter motora do nádoby na prach.
7. Znovu pripevnite kryt nádoby na prach na nádobu na prach. Nádobu na prach uložte naspäť do hlavného tela vysávača.

\*Iba u niektorých modelov

\*\* Iba u niektorých modelov, hubice sa môžu meniť v závislosti od modelu

## Odstránenie zablokovania

1. Skontrolujte, či nie je nádoba na prach plná. Ak áno, prečítajte si "Vyprázdnenie nádoby na prach".
2. Ak je nádoba na prach prázdna, ale sací výkon je aj tak nízky:
  - A. Je potrebné vyčistiť filtre? Ak áno, prečítajte si časť Čistenie umývateľných filtrov.
  - B. Skontrolujte, či v systéme nedošlo k inému upchatiu. - Na odstránenie upchatia predlžovacej trubice alebo ohybnej hadice použite tyč alebo palicu.
  - C. Skontrolujte umiestnenie predfiltra motora.
  - D. Skontrolujte, či nie je potrebné vyčistiť separačnú jednotku. Prečítajte si časť "Čistenie separačnej jednotky".

## KONTROLNÝ ZOZNAM POUŽÍVATEĽA

Ak máte problém s výrobkom, pred obrátením sa na miestny servis spoločnosti Hoover vykonajte kontrolu podľa tohto zoznamu.

- Funguje elektrické napájanie vysávača? Skontrolujte pomocou iného elektrického spotrebiča.
- Je nádoba na prach preplnená? Preštudujte si časť „Údržba vysávača“.
- Nie je upchatý filter? Preštudujte si časť „Údržba vysávača“.
- Nie je upchatá hadica alebo hubica? Preštudujte si časť "Odstránenie zablokovania zo systému".
- Nie je vysávač prehriaty? Ak áno, automatický reset potrvá približne 30 minút.

## DÔLEŽITÁ INFORMÁCIA

### Náhradné diely a spotrebný materiál Hoover

Vždy nahraďte diely originálnymi náhradnými dielmi od spoločnosti Hoover. Môžete si ich zakúpiť u svojho miestneho distribútora spoločnosti Hoover alebo priamo od spoločnosti Hoover. Pri objednávaní náhradných dielov vždy uvádzajte číslo modelu.

### Hoover Servis

So všetkými požiadavkami na služby sa prosím obráťte na miestne servisné stredisko spoločnosti Hoover.

### Kvalita

Kvalita v továrňach spoločnosti Hoover bola nezávisle posúdená. Naše výrobky sú vyrobené s využitím systému kvality, ktorý spĺňa požiadavky normy ISO 9001.

### Vaša záruka

Záručné podmienky pre tento spotrebič sú definované našim zástupcom v krajine, v ktorej sa predáva. Podrobnosti týkajúce sa týchto podmienok je možné získať u obchodníka, u ktorého bol spotrebič zakúpený. Pri uplatňovaní nárokov podľa podmienok tejto záruky je nutné predložiť doklad o predaji alebo úhrade.

Môžu sa zmeniť bez predchádzajúceho upozornenia.

## GÜVENLİ KULLANIM TALİMATLARI

Bu ürün kullanım kılavuzunda belirtildiği gibi yalnızca ev temizliği için kullanılmalıdır. Lütfen ürünü kullanmadan önce bu kılavuzun tam olarak anlaşıldığından emin olun.

Süpürge fişini prize takılı bırakmayın. Cihazı kullanmadan veya temizlemeden önce ya da herhangi bir bakım işleminden önce daima kapalı konuma getirin ve fişi prizden çekin.

Bu cihaz 8 yaş ve üzeri çocuklar ve yetersiz fiziksel, duyuşsal veya zihinsel kabiliyete sahip kişiler ya da deneyim ve bilgi yoksunu kişiler tarafından bir yetişkinin gözetiminde veya cihazın güvenli bir şekilde kullanımı ile ilgili talimatı ve bulunan tehlikelerin açıkça anlatılması ile kullanılabilirler. Çocuklar cihaz ile oynamamalıdır. Temizleme ve bakım işlemi denetimsiz şekilde çocuklar tarafından yapılmamalıdır.

Güç kablosu hasar görürse cihazı kullanmayı derhal bırakın. Güvenliğin riske atılmaması için, elektrik kablosu mutlaka yetkili HOOVER servis teknisyeni tarafından değiştirilmelidir.

Ellerinizi, ayaklarınızı, bol giysileri ve saçlarınızı dönen fırçalardan uzak tutun.

Yalnızca HOOVER tarafından önerilen veya sağlanan ek birimleri, sarf malzemelerini ya da yedek parçaları kullanın.

**Statik elektrik:** Bazı halılar statik elektrik oluşuma neden olabilir. Statik elektrik deşarjı sağlığa zararlı değildir.

Cihazınızı dış mekanlarda veya ıslak yüzeylerde ya da ıslak toplama için kullanmayın.

Sert veya keskin nesnelere, kibritleri, sıcak külleri, sigara izmaritleri veya diğer benzeri öğeleri toplamayın.

Yanıcı sıvıları, temizleme sıvılarını, aerosolleri veya spreyleri püskürtmeyin ya da toplamayın.

Cihazı kullanırken güç kablosu üzerine basmayın veya güç kablosundan çekerek prizden çıkarmayın.

Arızalı görünüyorsa cihazınızı kullanmaya devam etmeyin.

**HOOVER servisi:** Cihazın her zaman güvenli ve verimli bir şekilde kullanılabilmesi için, her türlü bakım veya onarım işinin sadece yetkili HOOVER servis teknisyenleri tarafından yapılmasını öneririz.

Cihazınızı kullanırken kablonun üzerinde durmayın veya kabloyu kolunuza ya da bacaklarınıza sarmayın.

Cihazı hayvanları veya insanları temizlemek için kullanmayın.

Merdivenleri temizlerken cihazı sizden daha yükseğe yerleştirmeyin.

### Çevre

Bu aygıtta bulunan sembol aygıtın ev atığı gibi işlem yapılamayacağını belirtir. Bunun yerine uygun elektrikli ve elektronik ekipman geri dönüşüm toplama noktasına teslim edilmelidir. İmha, atık imhası için düzenlenen yerel çevre yönetmeliklerine uygun olarak yapılmalıdır. Bu aygıtın ait işlem, kurtarma ve geri dönüşümle ilgili daha ayrıntılı bilgi için, lütfen yerel şehir ofisiniz, ev atığı ve çöp atma servisiniz ya da aygıtı satın aldığınız mağaza ile irtibata geçin.



**CE** Bu cihaz, 2014/35/EU, 2014/30/EU ve 2011/65/EU sayılı Avrupa Direktifleri ile uyumludur.

CANDY HOOVER GROUP S.r.l. Via Privata Eden Fumagalli, 20861 Brugherio (MB) Italy

## SÜPÜRGENİZİN YAKINDAN TANIYIN

- A. Kablo Sarma Makarası Pedalı
- B. Çıkış Filtresi Kapağı
- C. Çıkış Filtresi
- D. Park mandalı
- E. Açma/Kapama Pedalı
- F. Çöp Kutusu Serbest Bırakma Düğmesi
- G. Toz Haznesi Tertibatı
- H. Ana Gövde
- I. Hortum
- J. Emiş Kontrolü
- K. Hortum Sapı
- L. Teleskobik Boru
- M. Teleskopik Boru Ayarlayıcısı
- N. Yüzey seçme pedalı\*
- O. & O1. Halı ve Zemin Başlığı (GP)\*\*  
O2. Halı Başlığı (CA)\*\*  
O3. Sert Zemin Başlığı (HF)\*\*
- P. Toz haznesi kapağı
- Q. Toz haznesi kapağı ayırma düğmesi
- R. Toz Haznesi
- S. Multi siklon ayırıştırma ünitesi
- T. Ön-motor filtresi
- U. Toz haznesi kılıfı
- V. 2'si 1 arada Aksesuar
- W. Evcil Hayvan Tüyü Giderici Mini Turbo Başlık\*
- X. Alerjen Giderici Mini Turbo Başlık\*
- Y. Parke Başlığı\*

## SÜPÜRGENİZİN KURULMASI

Tüm parçaları ambalajından çıkartın.

1. Hortumu süpürgenin ana gövdesine takın, yerine oturduğundan ve kilitlendiğinden emin olun. Çözmek için: Hortum sonunun üzerindeki düğmeye basitçe basın ve çekin. [1]
2. Hortum kolunu uzatma borusunun üst ucuna[2] ya da gerekirse aksesuarlara bağlayın.
3. Uzatma borusu alt ucunu Halı ve Zemin başlığına\*\* [3] ya da gerekirse aksesuarlara bağlayın.

## SÜPÜRGENİZİ KULLANIRKEN

1. Güç kablosunu uzatın ve güç kaynağına (prize) takın. Kabloyu kırmızı işaretli bölgeden öteye çekmeyin. [4]
2. Konforlu temizlik için teleskopik boruyu, teleskopik boru ayarlayıcısı yukarı doğru

\*Sadece bazı modeller için \*\* Yalnızca belirli modeller, başlıklar modele göre değişiklik gösterebilir

- hareket ettirerek veya tutacağı aşağı kaydırarak istenilen yüksekliğe ayarlayın. [5]
3. Halı ve Zemin Başlığı\*\* - Zemin türü için ideal temizleme modunu seçmek için başlıktaki zemin türü seçiciye [6] basın.

**Sert Zemin** – Fırçalar zemini korumak için geri çekilir.

**Halı** – Daha derin temizlik için fırçalar yukarı kaldırılır.

**Halı & Yer başlığı\*\*:** [7]

- **Sert zemin Temizliği:** Sert Zemin modunda başlığın üzerindeki pedala basın ve başlığın üzerindeki kaydırıcıyı TÜM ZEMİNLER üzerine getirin. Bu konumda, sert zeminlerin korunması için fırçalar, tekerlekler ve silecek lastiği aşağı indirilir. [7a]
  - **Standart Halı ve Kilim Temizliği:** Başlığın üzerindeki pedala basarak Halı moduna getirin ve başlık üzerindeki kaydırıcıyı TÜM ZEMİNLER olarak ayarlayın. Bu konumda fırçalar ve silecek lastiği yukarı kaldırılır ancak yüzeyde hareket kolaylığı için tekerlekler indirilir. [7b]
  - **Derinlemesine Halı Temizliği:** Başlığın üzerindeki pedala basarak Halı moduna getirin ve başlık üzerindeki kaydırıcıyı DERİNLEMESİNE HALI TEMİZLİĞİ olarak ayarlayın. Bu konumda fırçalar, silecek lastiği ve tekerlekler halınızın derinlemesine temizlenmesi için yukarı kaldırılır. [7c]
- UYARI: Pedalın sert zemin, kaydırıcının ise derinlemesine halı temizliği olarak ayarlandığı durumlarda ahşap zeminlerin çizilmesinin önlenmesi önerilir.**
4. Temizleyici ana gövdesindeki açma/kapatma pedalına basarak temizleyiciyi açın. [8]
  5. Kol üzerindeki emiş regülatörünü istenilen seviyeye ayarlayın. [9]
  6. Kullandıktan sonra açma/kapatma pedalına basarak kapatın. Fişi prizden çıkarın ve güç kablosunu temizleyiciye geri sarmak için kablo sarma makarası pedalına basın. [10]

## PARK ETME VE DEPOLAMA KISMI

Boru ve başlık, depolama için ya da kullanım sırasında geçici depolama için süpürgenin arkasına bırakılabilir. [11]

## AKSESUARLAR VE BAŞLIKLAR

En iyi performans ve enerji verimliliği için\*1 ana temizleme işlemlerinde doğru başlıkların kullanılması önerilir. Bu başlıklar, şemalarda GP, HF veya CA harfleri ile gösterilmiştir.

**GP** tip başlıklar halı ve sert zemin temizliğinde kullanılabilir.

**HF** tip başlıklar yalnızca sert zemin üzerinde kullanıma uygundur.

**CA** tip başlıklar sadece halı üzerinde kullanım için uygundur

Diğer başlıklar uzman temizlik işlemleri içindir ve bu başlıkların yalnızca arada sırada kullanılması önerilir.

Bu vakumlu temizleyicide Avrupa Yönetmeliği (AB) 665/2013'ün gerekli koştuğu Enerji Etiketleri bulunmaktadır.

Etiketin sol tarafında halı sembolünü kapsayan kırmızı çember varsa, bu işaret vakumlu temizleyicinin halı üzerinde kullanımına uygun olmadığını gösterir.

Etiketin sağ tarafında sert zeminler sembolünü kapsayan kırmızı çember varsa, bu işaret vakumlu temizleyicinin sert zeminler üzerinde kullanımına uygun olmadığını gösterir.

#1 **NOT:** Halıda toz çekebilme, sert zeminde toz çekebilme ve Komisyon Düzenlemeleri (AB) 655/2013 ve (AB) 666/2013 ile uyumlu enerji verimliliği.

Tüm aksesuarlar, hortumun ucuna veya teleskopik borunun ucuna takılabilir.

**2'si 1 arada aparat** – Birkaç işlevi tek bir araçta bir araya getirir: **[V]**

**Toz Alma Fırçası** – Kitaplık rafları, çerçeveler, klavyeler ve diğer hassas alanlar içindir.

**Kenar Köşe Aparatı** – Köşeler ve ulaşılması zor alanlar içindir.

**Parke Başlığı\*** – Parke ve diğer hassas zeminler içindir. **[Y]**

**Evcil Hayvan Tüyü Giderici Mini Turbo Başlık\*** - Merdivenler veya tekstil yüzeylerinde derinlemesine temizlik sağlar; temizlenmesi zor alanlar için mini turbo başlığı kullanılabilir. Özellikle hayvan tüylerinin giderilmesi için uygundur. **[W]**

**Alerjen Giderici Mini Turbo Başlık\*** – Merdivenler veya tekstil yüzeylerinde derinlemesine temizlik sağlar; temizlenmesi zor alanlar için mini turbo başlığı kullanılabilir. Özellikle alerjenlerin temizlenmesi için uygundur. **[X]**

**ÖNEMLİ:** Mini turbo başlıklar uzun saçaklı halılarda, hayvan postlarında, 15 mm'den daha uzun havlı halılarda kullanmayın. **Fırça dönerken başlığı sabit tutmayın.**

## SÜPÜRGENİZİN BAKIMI

### Toz Haznesinin Boşaltılması

Toz, kaptaki maksimum seviye göstergesine ulaştığında, toz haznesinin boşaltılması gerekir.

**ÖNEMLİ:** Optimum performansı sürdürebilmek için tozun maksimum seviyeden daha yüksek seviyeye çıkmasına izin vermeyin.

1. Açma/kapama pedalına basarak süpürgeyi kapatın ve güç kablosunu prizden çekin. **[8]**
2. Toz haznesi ayırma düğmesine basın ve toz haznesi tertibatını süpürgeден çıkarın. **[12]**
3. Toz haznesini tek elinizle tutun ve tozu boşaltmak için toz haznesini boşaltma düğmesine basın. **[13]**
4. Toz haznesi kapağını kapatın ve ana gövdeye geri takın.

### Yıkanebilir filtrelerin temizlenmesi

Süpürge ön motor filtresi ve çıkış filtresiyle donatılmıştır. En iyi temizleme performansını korumak için filtreleri düzenli olarak çıkarın ve tozları toz haznesinin yanlarına vurarak boşaltın. Filtreler her 5 kaset boşaltımında veya filtreler aşırı toz seviyesine ulaştığında yıkanmalıdır.

**ÖNEMLİ:** Tüm torbasız süpürgeler, düzenli olarak filtre temizliğine ihtiyaç duyarlar. Hava tıkanıklığı, fazla ısınma ve ürün arızası, filtrelerinizi yıkamayı aksatmanızın sonucu olabilir. Bu garantinizi geçersiz kılabilir.

**ÖNEMLİ:** Filtrelerinizi düzenli olarak denetleyin ve bakımını yapın.

**ÖNEMLİ:** Kullanmadan önce her zaman filtrelerin tamamen kuru olduğundan emin olun.

### Ön motor filtresine erişmek için:

1. Toz haznesi ayırma düğmesine basarak toz haznesini süpürgeден çıkarın. **[12]**
2. Toz haznesini tek elinizle tutarken, diğer elinizle toz haznesi kapağını saat yönünün tersine çevirerek çıkarın. **[14]**
3. Ön motor filtresi tertibatını toz haznesi tertibatından çıkarın. **[15]**
4. Ön motor filtresine hafifçe vurun ve yıkayın. Sıcak su veya deterjan kullanmayın. Filtredeki fazla suyu giderin ve tekrar kullanmadan önce tamamen kurumaya bırakın. **[20,21]**
5. Ön motor filtre tertibatını tamamen kuruduktan sonra yeniden monte edin ve süpürgeye yeniden sabitleyin.

### Çıkış filtresine erişmek için:

1. Egzoz filtresinin klipsini süpürge ana gövdesinin arkasından çıkartın. **[18]**
2. Egzoz filtresini süpürge arkasından çıkarın. **[19]**
3. Filtreyi nazikçe vurun ve ılık su kullanarak yıkayın. Sıcak su veya deterjan kullanmayın. Filtredeki fazla suyu giderin ve tekrar kullanmadan önce tamamen kurumaya bırakın. **[20,21]**
4. Tamamen kuruduktan sonra egzoz filtresini süpürge arkasına yeniden takın ve egzoz filtresi kapağını yerine takın.

**ÖNEMLİ:** Filtre paketini yerleştirmeden ürünü kullanmayın.

### Toz haznesini temizleme / ayırma ünitesini temizleme

Bu süpürge, Hoover'e özel ayrı bir sistem kullanmaktadır. Gerekli olduğunda, ayırma ünitesi toz haznesinden çıkarılarak temizlenebilir.

1. Toz haznesi ayırma düğmesine basın ve toz haznesi tertibatını süpürgeден çıkarın. **[12]**
2. Toz haznesini tek elinizle tutarken, diğer elinizle toz haznesi kapağını saat yönünün tersine çevirerek çıkarın. **[14]**
3. Ön motor filtresini toz haznesi tertibatından çıkarın. Ardından, çekerek multi siklon ayırma ünitesini toz haznesinden çıkarın. **[15,16]**
4. Gerekli olduğunda, multi siklon ayırma ünitesi yüzeyinden fazla tozu gidermek için bir bez kullanın. **[17]**
5. Gerekliyse, toz haznesini ılık suyla durulayın. Toz haznesinin iç yüzeylerini yalnızca suyla yıkayın. Toz haznesinin iç kısımlarını yıkamak için sabunlu deterjanlar KULLANMAYIN.
6. İç filtreyi ve ön motor filtresini toz haznesine geri takın.
7. Toz haznesi kapağını toz haznesine geri takın. Toz haznesini süpürge arkasına geri takın.

### Sistemde Oluşan Tıkanıklığın Giderilmesi

1. Toz haznesinin doluluğunu kontrol edin. Doluysa 'toz haznesi boşaltımı' bölümüne başvurun.
2. Toz haznesi boş ise fakat emiş gücü hala düşükse:
  - A. Filtrelerin temizlenmeye mi ihtiyacı var? Eğer ihtiyaç varsa 'Yıkanebilir filtreleri temizleme' bölümüne başvurun.
  - B. Sistemde başka herhangi bir tıkanıklık olup olmadığını kontrol edin. - Borunun iç hattından veya esnek hortumdan herhangi bir tıkanıklığı gidermek için rod veya karşı uç kullanın.
  - C. Ön motor filtresinin takılı olup olmadığını kontrol edin.
  - D. Ayırma ünitesinin temizlenmesi gerekip gerekmediğini kontrol edin. 'Ayırma ünitesini temizleme' bölümüne başvurun.

## KULLANICI KONTROL LİSTESİ

Ürün ile ilgili bir problem olduğunda, yetkili Hoover servisini aramadan önce bu basit kullanıcı kontrol listesini tamamlayın.

- Süpürgeye elektrik geliyor mu? Lütfen başka bir elektrikli cihaz ile kontrol edin.
- Toz haznesi dolmuş aşamasında mı? Lütfen 'Süpürge Bakımı' bölümüne başvurunuz.
- Filtre tıkalı mı? Lütfen 'Süpürge Bakımı' bölümüne başvurunuz.
- Hortum veya başlık tıkalı mı? Lütfen 'Sistemden tıkanıklık giderilmesi' bölümüne başvurunuz.
- Süpürge fazla mı ısındı? Eğer öyleyse, otomatik sıfırlama 30 dakika sürecektir.

## ÖNEMLİ BİLGİ

### Hoover yedek parça ve sarf malzemeleri

Parçaları daima orijinal Hoover parçaları ile değiştirin. Bu parçaları Hoover servislerinden tedarik edebilirsiniz. Parça siparişi verirken mutlaka cihazın model numarasını belirtin.

### Hoover Servisi

Herhangi bir hizmete ihtiyacınız olduğunda, lütfen bölgenizdeki Hoover Müşteri Hizmetleri ile irtibata geçiniz.

### Kalite

Hoover fabrikalarının kalitesi bağımsız olarak takdir almıştır. Ürünlerimiz, ISO 9001 gereksinimlerini içeren bir kalite sistemi kullanılarak üretilmektedir.

### Garanti

Bu cihaz için garanti koşulları, cihazın satıldığı ülkedeki temsilcimiz tarafından tanımlanmaktadır. Bu koşullara ilişkin ayrıntılar cihazın satın alındığı bayiden edinilebilmektedir. Bu garanti koşulları altında yapılan talepte satış fişi (faturası) ve makbuzu ibraz edilmiş olmalıdır.

Haber verilmeksizin değişiklikler yapılabilir.

## BIZTONSÁGOS HASZNÁLAT

Ezt a készüléket kizárólag háztartási célra, a felhasználói útmutatóban leírtak szerint lehet használni. Kérjük, a készülék használatára elótt bizonyosodjon meg róla, hogy az összes utasítást megértette-e.

A készüléket ne hagyja a hálózatra csatlakoztatva. A használatot követően, illetve tisztítási vagy karbantartási műveletek elótt mindig kapcsolja ki a készüléket és távolítsa el a csatlakozót az aljzatból.

Ezen készüléket 8 éves, vagy annál idősebb gyerekek, valamint csökkent fizikai, érzékelési, vagy mentális képességekkel, továbbá tapasztalat nélküli személyek csak felügyelet mellett használhatják, továbbá ha a készülék használatára vonatkozó útmutatásokat megkapták, és biztonságosan tudják a készüléket használni, és megértették az azzal járó veszélyeket. Gyerekek nem játszhatnak a készülékkel. A tisztítás, és a karbantartást nem végezheti el gyerek, felügyelet nélkül.

Ha a tápvezeték megsérült, akkor azonnal hagyja abba a készülék működtetését. A biztonsági kockázat elkerülése érdekében egy HOOVER szakszerviznek kell kicserélnie a tápvezetékét.

A forgó keféktől tartsa távol kezét, lábát, a laza ruházatot és haját.

Csak a HOOVER által javasolt tartozékokat, fogyóeszközöket és pótalkatrészeket használja.

**Statikus elektromosság:** Bizonyos szőnyegek esetében kis mértékű statikus elektromosság keletkezhet. A statikus kisülések nem életveszélyesek.

A készüléket ne használja kültéren, nedves felületen, illetve nedvesség felszívására.

Ne szívjon fel kemény vagy éles tárgyakat, gyufát, forró

hamut, cigarettacsikket vagy hasonló tárgyakat.

A készüléket ne szórja le vagy szívjon fel vele gyúlékony folyadékokat, tisztítófolyadékokat, aerosolokat vagy ezek gőzeit.

Készüléke használatakor azt ne vezesse át a tápvezetéken, és a csatlakozót az aljzatból ne a tápvezeték meghúzásával távolítsa el.

Ha hibásnak tűnik, akkor ne használja tovább a készüléket.

**HOOVER szerviz:** A készülék folyamatos biztonságának és hatékony működésének biztosítása érdekében javasoljuk, hogy minden szervizelési és javítási munkát HOOVER szakszervizben végeztessen el.

A készülék használatakor ne álljon a tápvezetékre és ne tekerje karjára vagy lábára.

A készüléket ne használja állatok vagy személyek tisztítására.

Lépcsők tisztításakor ne helyezze önnél magasabbra a készüléket.

#### Környezetvédelem

A terméken lévő szimbólum azt jelzi, hogy a készülék nem kezelhető háztartási hulladékként. A készüléket egy elektromos és elektronikus berendezések gyűjtésére szakosodott helyen kell leadni. A leselejtezést a helyi környezetvédelmi előírásoknak megfelelően kell végrehajtani. A kezeléssel és újrahajósításával kapcsolatos részletesebb információkért vegye fel a kapcsolatot a helyi önkormányzattal, hulladékkezelő társaságával, vagy az üzlettel, ahol a készüléket vásárolta.



**CE** Ez a készüléket megfelel a 2014/35/EU, 2014/30/EU és 2011/65/EU európai direktíváknak.

CANDY HOOVER GROUP S.r.l. Via Privata Eden Fumagalli, 20861 Brugherio (MB) Italy

## A PORSZÍVÓ BEMUTATÁSA

- A. Vezetéktekerceselő pedál
- B. Kimeneteli szűrő burkolat
- C. Kimeneteli szűrő
- D. Parkoló pozíció
- E. Kapcsolópedál
- F. Porzsák kioldógomb
- G. Portartályegység összeszerelése
- H. Fő rész
- I. Tömlő
- J. Szívóerő szabályzó
- K. Fogantyú
- L. Teleszkópos cső
- M. Teleszkópos cső beállító
- N. Padlótípus választó pedál\*
- O. & O1. Szőnyeg & padló szívófej (GP)\*\*
- O2. Szőnyeg szívófej (CA)\*\*
- O3. Keménypadló szívófej (HF)\*\*
- P. Portartály csapózára
- Q. Portartály fedelének kioldógombja
- R. Portartály
- S. Multiciklonos szűrő egység
- T. Elő-motor szűrő
- U. Portartály fedele
- V. 2 az 1-ben tartozék
- W. Állatszór eltávolító mini turbó fej\*
- X. Allergén eltávolító, mini turbó fej\*
- Y. Parkettatisztító fej\*

## A PORSZÍVÓ ÖSSZESZERELÉSE

Minden tartozékot vegyen ki a csomagolásból.

1. Csatlakoztassa a tömlőt a készülékhez, és biztosítsa, hogy a cső a helyére kattanjon. A kioldáshoz egyszerűen csak nyomja meg a tömlőn lévő gombot, majd húzza meg. [1]
2. Szükség esetén csatlakoztassa a cső fogantyúját a hosszabbítócső felső végéhez [2], vagy a tartozékokhoz.
3. Szükség esetén csatlakoztassa a cső alsó végét a szőnyeg- vagy padló szívófejhez\*\* [3] vagy a tartozékokhoz.

## A PORSZÍVÓ HASZNÁLATA

1. Húzza ki a tápkábelt, majd csatlakoztassa a konnektorhoz. A tápkábelt soha ne húzza túl a piros jelölésen. [4]
2. Állítsa be a teleszkópos csövet a kívánt magasságra úgy, hogy a teleszkópos cső állítóját



felfelé mozdítja, majd a kart a legkényelmesebb tisztítási helyzetbe emeli. [5]

3. Szőnyeg & padló szívófej\*\* - Az adott padlótípushoz ideális tisztítási mód kiválasztásához nyomja meg a fejen[6] található padlótípus választót.

**Keménypadló** – A padló védelme érdekében a kefék leereszkednek.

**Szőnyeg** – A mélyebb tisztítás érdekében a kefék felemelkednek.

#### Szőnyeg- és padlótisztító fej\*\* [7]

- **Keménypadló tisztítása:** Nyomja a szívócsövön lévő pedált Keménypadló (Keménypadló) módba és állítsa a szívócsövön lévő csúszkát ALL FLOORS (Minden padlótípus) állásba. Ebben a pozícióban a kefék, kerekek és a törölőlapát a keménypadló védelme érdekében leereszkednek. [7a]

- **Hagyományos szőnyegek tisztítása:** Nyomja a szívócsövön lévő pedált Carpet (Szőnyeg) módba és állítsa a szívócsövön lévő csúszkát ALL FLOORS (Minden padlótípus) állásba. Ebben a pozícióban a kefék és a törölőlapát megemelkednek, a kerekek pedig az ilyen felületen történő tökéletes mozgás biztosítása érdekében leereszkednek. [7b]

- **Szőnyeg mélytisztítása:** Nyomja a szívócsövön lévő pedált Carpet (Szőnyeg) módba és állítsa a szívócsövön lévő csúszkát DEEP CARPET CLEANING (Szőnyeg mélytisztítása) állásba. Ebben a pozícióban a kefék, kerekek és a törölőlapát a szőnyeg mélyebb tisztítása érdekében felemelkednek. [7c]

**FIGYELEM: A fa padlók karcolódásának lehetséges elkerülése érdekében javasoljuk, hogy a pedált NE állítsa keménypadló módba, a csúszkát pedig szőnyeg mélytisztítási állásba.**

4. Kapcsolja be a tisztítógépet a tisztítógép házán lévő kapcsolópedál megnyomásával. [8]  
5. Állítsa be a fogantyún lévő szívásszabályzást a kívánt szintre. [9]  
6. Kapcsolja ki a használat végén a kapcsolópedál megnyomásával. Húzza ki és nyomja meg a vezetékterkeres pedálját a tápkábel porszívóba történő visszatekeréséhez. [10]

#### ELHELYEZÉS ÉS TÁROLÁS

A cső és a szívófej a porszívó hátulján tárolható használaton kívül illetve használat során ideiglenes jelleggel. [11]

### KIEGÉSZÍTŐK ÉS FEJEK

A legjobb teljesítmény és energiahatékonyság #1 elérése érdekében javasolt a megfelelő szívófejet használni a fő tisztítási műveletekhez. Ezeket a szívófejeket az ábrákon a **GP**, **HF** vagy **CA** betűk jelzik.

A **GP** típusú szívófej a szőnyeg és keménypadló tisztítására használható.

A **HF** típusú szívófej kizárólag keménypadlóhoz alkalmas.

A **CA** típusú szívófej kizárólag szőnyegen használható.

A többi szívófej különleges feladatokhoz való tartozék, és csak alkalmanként javasolt a használatuk.

Fontos megjegyezni, hogy ezt a porszívót 665/2013 Európai (EU) energiahatékonysági szabályzás szerinti jelöléssel látták el.

Ha a címke bal oldalán egy vörös tiltó jel látható egy szőnyeg szimbólum felett, akkor ez azt jelzi, hogy a porszívó nem használható szőnyeghez.

Ha a címkén a keménypadló szimbóluma fölött egy áthúzott piros kör látható, akkor az azt jelzi, hogy a porszívó nem alkalmas keménypadlón történő használatra.

**#1 MEGJEGYZÉS:** Porfelszívás szőnyegen, porfelszívás keménypadlón és energiahatékonyság az (EU) 665/2013 és (EU) 666/2013 bizottsági szabályzás szerint.

A kiegészítők a tömlőmarkolathoz és a teleszkópos cső végéhez is felcsatlakozhatnak.

**2 az 1-ben eszköz** – Számos funkciót kombinál egyetlen eszközben: [V]

**Porkefe** – Könyvespolcok, képeretek, billentyűzetek és egyéb kényes területek tisztításához.

**Réztisztító eszköz** – Sarkok és nehezen elérhető területek tisztításához.

**Parkettatisztító fej\*** – Parketta és egyéb kényes padlók tisztításához. [Y]

**Állatszőr eltávolító mini turbó fej\*** - A mini turbó tisztítófejet lépcsőkhöz, vagy textilfelületek mélytisztításához vagy egyéb kemény felületek tisztításához használja. Különösen alkalmas háziállatok szőrének eltávolításához. [W]

**Allergén eltávolító, mini turbó fej\*** - A mini turbó tisztítófejet lépcsőkhöz, vagy textilfelületek mélytisztításához vagy egyéb kemény felületek tisztításához használja. Különösen alkalmas allergének eltávolításához. [X]

**FONTOS:** A mini turbó tisztítófejet ne használja hosszú szálakat tartalmazó szőnyegek, állatok bundáján vagy 15 mm-nél vastagabb padlószőnyegen. **A kefe forgása során soha ne hagyja egy helyben a tisztítófejet.**

### A PORSZÍVÓ KARBANTARTÁSA

#### A portartály ürítése

Ha a por eléri a tartály maximális töltöttségi szintjét jelző jelölést, ürítse ki a portartályt.

**FONTOS:** Az optimális teljesítmény fenntartása érdekében ne hagyja, hogy a por szintje a maximális szint fölé emelkedjen.

1. Kapcsolja ki a porszívót a pedál segítségével és húzza ki a tápkábelt. [8]
2. Nyomja meg a portartály kioldógombját és vegye ki a portartályt a porszívóból. [12]
3. Tartsa meg egy kézzel a portartályt majd nyomja meg a portartály ürítógombját a por kiürítéséhez. [13]
4. Zárja le a portartály fedelét és helyezze vissza a tartályt a főegységre.

#### A mosható szűrők tisztítása

A porszívó egy előmotor és egy kimeneti szűrővel rendelkezik. Az optimális tisztítási teljesítmény érdekében távolítsa el rendszeresen a szűrőket, majd a por feloldásához és eltávolításához ütögesse neki a tartály oldalához. A szűrőket a portartály minden ötödik ürítését követően, illetve akkor kell kimosni, amikor a szűrőben nagyon sok por van.

**FONTOS:** Az összes porzsák nélküli porszívó a szűrőt rendszeres tisztítását igényli. A szűrők tisztításának elmulasztása a levegőáramlás megszűnését, túlmelegedést és a termék

\*Csak bizonyos modellek esetén

\*\* Csak bizonyos típusok esetén, a szívófejek típusonként eltérőek lehetnek

meghibásodását okozhatja. Ez garanciavesztést okozhat.

**FONTOS:** Ellenőrizze és tartsa karban rendszeresen a szűrőket.

**FONTOS:** Visszahelyezés előtt mindig győződjön meg arról, hogy a szűrők teljesen megszáradtak-e.

#### Az előmotor szűrő elhelyezkedése:

1. Távolítsa el a portartályt a porszívóból a portartály kioldógombjának megnyomásával. **[12]**
2. Tartsa meg a portartályt az egyik kezével, és a másik kézzel az óramutató járásval ellentétes irányba forgatva távolítsa el a tartályt. **[14]**
3. Távolítsa el az előmotor szűrőt a portartály egységből. **[15]**
4. Enyhén ütögesse meg és/vagy mossa ki a motor előtti szűrőt. Ne használjon forró vizet vagy tisztítószeret. Rázza ki a vizet a szűrőből, majd az ismételt használat előtt, hagyja, hogy teljesen megszáradjon. **[20,21]**
5. Miután teljesen megszáradt, szerelje vissza az előmotor szűrőegységet és helyezze vissza azt a porszívóba.

#### A kipufogó előtti szűrő eléréséhez:

1. Csíptesse le a kimeneti szűrőt a porszívó törzsének hátsó részéről. **[18]**
2. Távolítsa el a kimeneti szűrőt a porszívó hátuljáról. **[19]**
3. Finoman veregesse, rázogassa a meg a szűrőt és mossa ki meleg vízzel. Ne használjon forró vizet vagy tisztítószeret. Rázza ki a vizet a szűrőből, majd az ismételt használat előtt, hagyja, hogy teljesen megszáradjon. **[20,21]**
4. Megszáradást követően illessze vissza a kimeneti szűrőt a porszívó hátuljára és helyezze vissza a kimeneti szűrő fedelét.

**FONTOS:** Ne használja a terméket beszerelt szűrőegység nélkül.

#### A portartály / szűrő egység tisztítása:

A gép egyedi Hoover szűrőrendszert használ. A szűrőrendszer egység szükség esetén leszerelhető a portartályról és megtisztítható.

1. Nyomja meg a portartály kioldógombját és vegye ki a portartályt a porszívóból. **[12]**
2. Tartsa meg a portartályt az egyik kezével, és a másik kézzel az óramutató járásval ellentétes irányba forgatva távolítsa el a tartályt. **[14]**
3. Távolítsa el az előmotor motor szűrőegységet a portartályról. Ezt követően húzással távolítsa el a multiciklonos szűrőrendszert a portartályról. **[15,16]**
4. Szükség esetén távolítsa el egy törlőronggyal a felesleges port a multiciklonos szűrőrendszer felületéről. **[17]**
5. Szükség esetén öblítse ki a portartályt langyos vízben. A portartály belső felületeit csak vízzel tisztítsa. NE használjon szappanos tisztítószereket a portartály belsejének tisztításához.
6. Szerelje vissza a belső részt és az előmotor szűrőt a portartályra.
7. Szerelje vissza a portartály fedelét a portartályra. Illesze vissza a portartályt a porszívó törzsére.

#### Eltömődés megszüntetése

1. Ellenőrizze, hogy a portartály megtelt-e. Ha igen, akkor lásd a "Portartály ürítése" részt.

2. Amennyiben a portartály üres, de a szívóerő ennek ellenére is gyenge:

- A. A szűrők tisztítására van szükség: Amennyiben igen, olvassa el "A mosható szűrők tisztítása" című fejezetet.
- B. Ellenőrizze, hogy nincs-e másfajta dugulás a rendszerben. - Használjon egy rudat vagy pálcát a csőben vagy a rugalmas tömlőben lévő elzáródások eltávolításához.
- C. Ellenőrizze, hogy az előmotor szűrőt felszerelték-e.
- D. Ellenőrizze, hogy a porszívó egységet meg kell-e tisztítani. Lásd a "Porszívó egység tisztítása részt".

### FELHASZNÁLÓI ELLENŐRZŐLISTA

Amennyiben problémát észlel a termék működése során, a Hoover szerviz felhívása előtt ellenőrizze a következőket.

- A porszívó konnektora megfelelően működik-e? Kérjük, egy másik elektromos berendezés segítségével próbálja ki.
- A portartály túl van töltve? Kérjük, tekintse meg "A porszívó karbantartása" című fejezetet.
- A szűrő eltömődött? Kérjük, tekintse meg "A porszívó karbantartása" című fejezetet.
- A tömlő vagy a szívófej eltömődött? Lásd a "Rendszer eltömődésének megszüntetése" részt.
- A porszívó túlmelegedett? Ha igen, akkor körülbelül 30 percig tart az automatikus törlés.

### FONTOS INFORMÁCIÓK

#### Hoover alkatrészek és fogyóeszközök

Az alkatrészeket minden esetben eredeti Hoover pótalkatrészekkel cserélje ki. Ezeket a helyi Hoover kereskedőtől vagy közvetlenül a Hoover-től vásárolhatja meg. Az alkatrészek rendelésekor mindig adja meg a készülék modellszámát.

#### Hoover szerviz

Amennyiben szervizelésre van szüksége, kérjük, vegye fel a kapcsolatot a legközelebbi Hoover Szervizközponttal.

#### Minőség

A Hoover gyáraiban független minőségbiztosítás történik. A termékeket olyan minőségi rendszerek segítségével gyártjuk, melyek megfelelnek az ISO 9001 által támasztott összes követelménynek.

#### Garancia

A garanciális feltételeket a termék értékesítési országában lévő képviselőnk határozza meg. Ezzel kapcsolatos információkat attól a kereskedőtől kérhet, ahol a terméket megvásárolta. A garanciális igények érvényesítéséhez a termék vásárlását igazoló blokk vagy számla bemutatására van szükség.

A változtatás jogát előzetes bejelentés nélkül fenntartjuk.