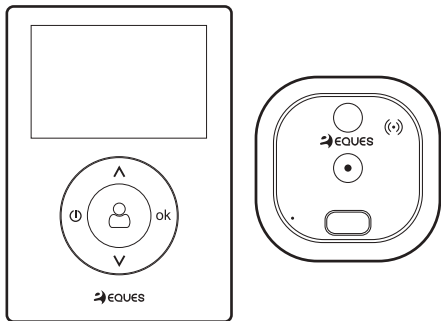


# VEIU mini

Smart Video Doorbell

Smart and Safe



User Manual

 **EQUES**

# 01 | Package Contents



Camera  
1 piece



Screen  
1 piece



USB cable  
1 piece



Bracket  
1 piece



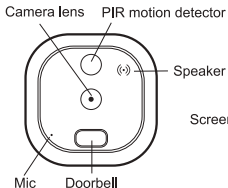
Bolts  
2 pairs



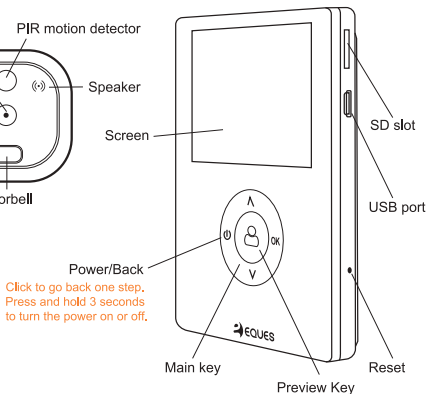
Charger  
1 piece

## 02 | Component Diagram

### Camera



### Screen

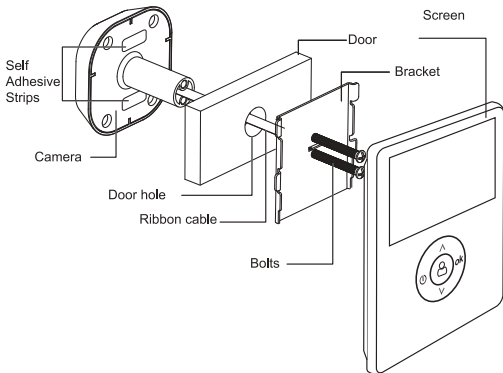


## Technical Specifications

Battery: 3600 mAh lithium battery (Built-in)

Battery Standby time: 2 weeks

## 03 | Installation Diagram



**Install Device with 1 screwdriver within 5 minutes**

### Tips:

1. When fastening the outdoor camera, attach bolts into its poles first
2. When fastening the LCD Screen, align it to the notch of the bracket.

## 04 | Installation



**1.** Attach two bolts to the camera loosely.



**2.** Peel off the protective film from the adhesive strips.



**3.** Pass the ribbon cable through the door hole.



**4.** Fasten the camera by pressing it firmly onto the door.



**5.** Hold the bracket upright (see the UP arrow on the bracket), slide the ribbon cable through the middle slot on the bracket.



**6.** Align the round end of the top and bottom slots on the bracket with the two bolts on the camera, then slide the bracket toward the camera.



**7.** Slide the bracket to the left and tighten the bolts.



**8.** Plug the ribbon cable into the port on the back of the screen.



**9.** Align four notches on the back of the screen with four tabs on the brackets.



**10.** Press the screen against the bracket and slide it downward.



**11.** Press and hold the Power key for 3 seconds to turn the power on.

## 05 | Register and Add Your Device

### 5.1 | Download App

Scan QR code to download the app, or search **"Eques"** on App store/Google play.



IOS



Android

### 5.2 | Start App

After installing the app, click



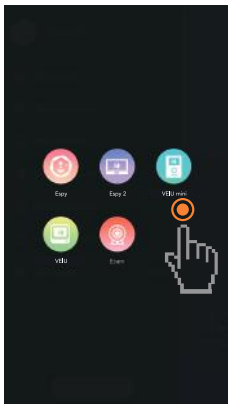
to start it.



## 5.3 | Register, Login and Add Devices



Fill the information as pictured then click **"register"**. After completed, use this account to login. Make sure you remember your login info.



In the "Device Manager" panel, click **"+"** to add a new device. Choose the device above as pictured.

## 5.4 | Input WiFi Information, Scan QR Code



Input WiFi name and password as per UI prompt then click **"Start Binding"**. (Notes: the UI will prompt to enter the menu of searching QR code.)



Click **"Prepare Scan"** on the previous step then generate a QR code, use the outdoor camera to scan this code. **If you don't know how to scan, you can click "Have a problem scanning QR Code?" on the previous step.**

## 5.5 | Bind Device

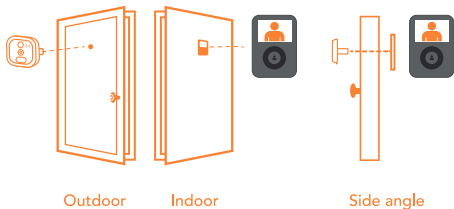
1. Turn on power key and go to setting



2. Click "Settings" → choose "Scan QR code"



## 06 | Applicable Door Thickness



Applicable door thickness: 1.4in - 4.3in (35mm ~ 110 mm)

Applicable peephole: 0.6in - 2.2in (14mm ~ 50mm)

When choosing bolts to install the outdoor camera, you must know your door's thickness.

### Notes:

For the door thickness between 1.4in - 2.6in (35mm ~ 65mm), choose 1.4in (35mm) short bolts;

For the door thickness between 2.6in - 3.7in (65mm ~ 95mm), choose 2.6in (65mm) long bolts;

For the door thickness above 3.7in (95mm), use your own M3 bolts around 3.2in (80mm).

## 07 | Safety Guideline



- **Try to avoid placing the device in high-temperature, high humidity, dusty or other harsh environments as this may reduce its lifespan.**
- **Don't forcibly squeeze the camera lens and the black ball on the top of the outdoor subcomponent; otherwise it can cause hardware damage.**
- **Treat the ribbon cable with care during installation, don't forcibly drag, scrape or cut the ribbon cable. (The device will be out of warranty if it is damaged by inappropriate installation.)**
- **Make sure you use the charger that is included in the package. Unqualified chargers might cause damage to the device.**

# | CONTACT PAGE

**CUSTOMER SERVICE EMAIL:**

[cs@equeshome.com](mailto:cs@equeshome.com)

**ADDRESS:**

2100 Geng Road, Suite 210,  
Palo Alto, CA 94303, USA

**WEBSITE:**

[www.equeshome.com](http://www.equeshome.com)