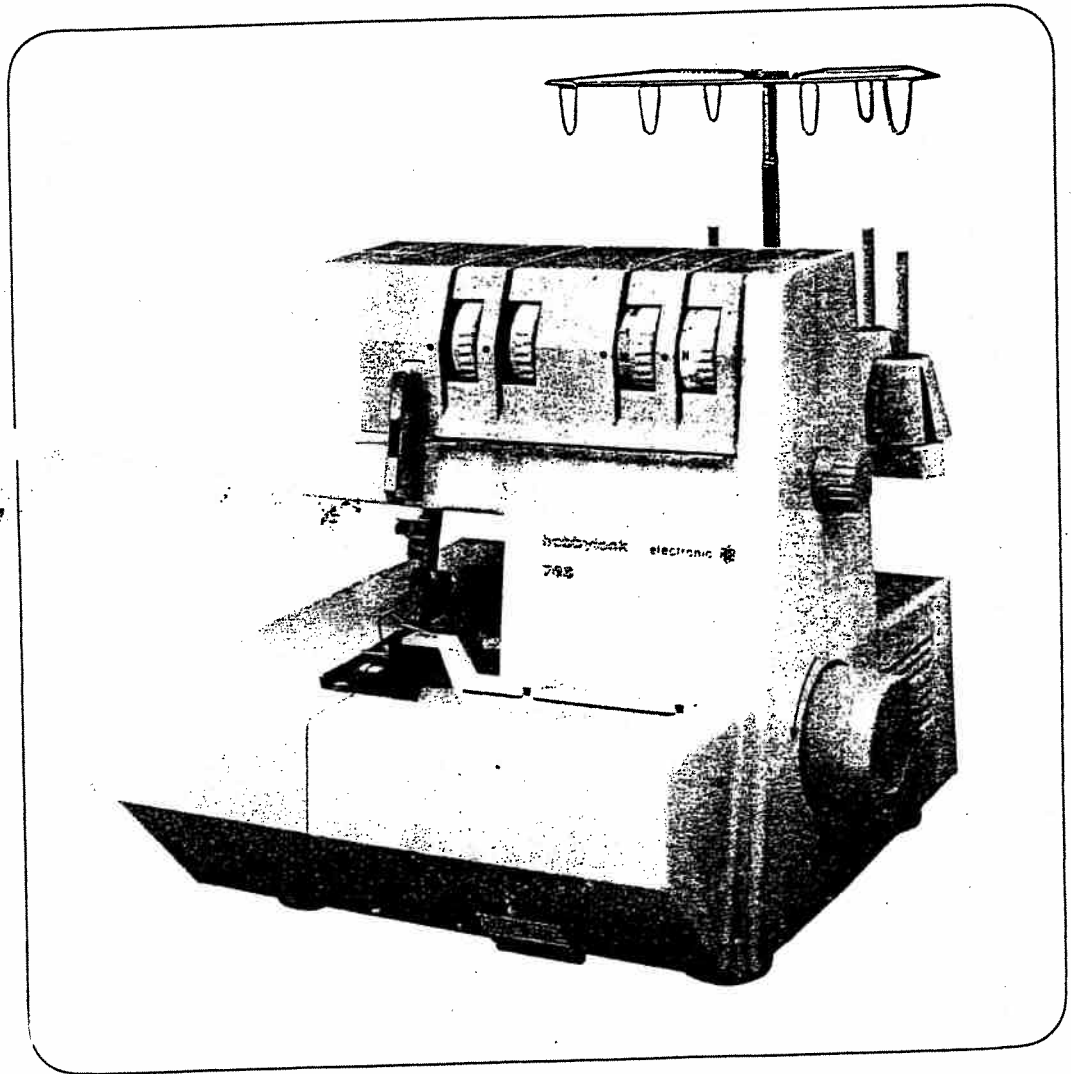


PFAFF

hobbylock

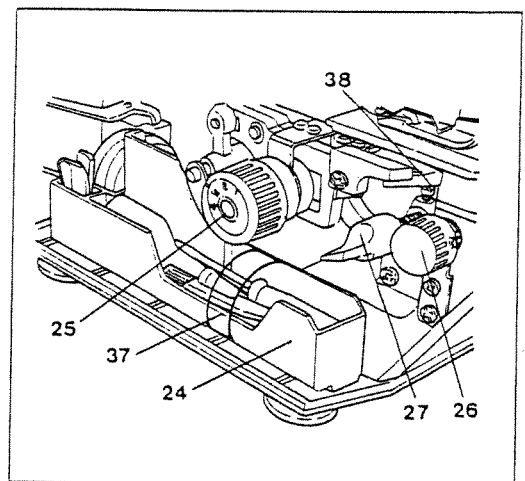
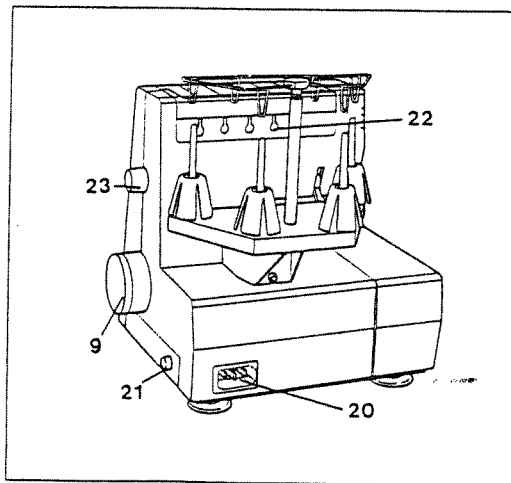
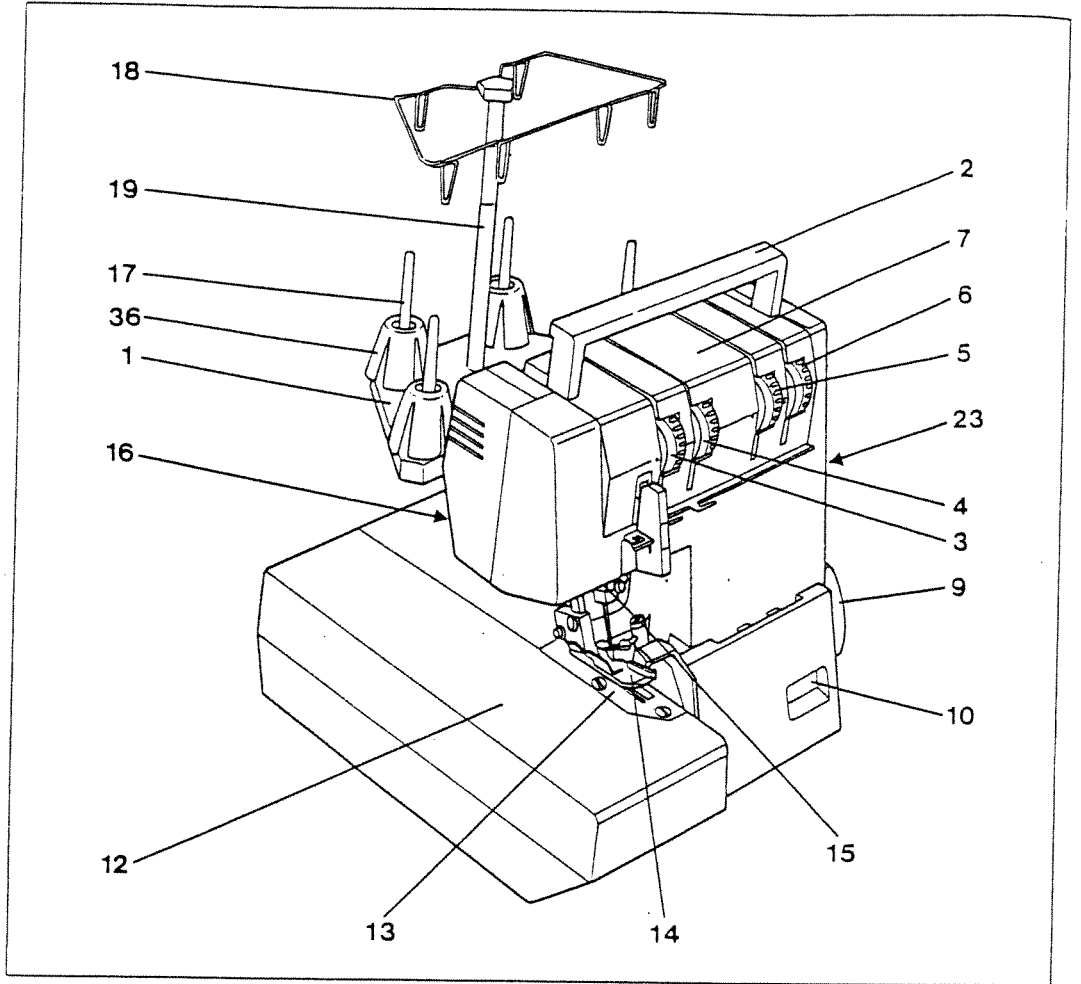
784-786

Instruction manual



Notes on safety

- A) Owing to the up and down movement of the needles and the upper knife, the user must take sufficient care to avoid injury and observe the sewing area continuously while sewing.
- B) When leaving the machine, changing parts or accessories, the machine must be disconnected from the power source.**
- C) The maximum approved wattage of the light bulb is 15 watts.
- D) The drive belt must never be adjusted by anyone but an authorized Pfaff agent.

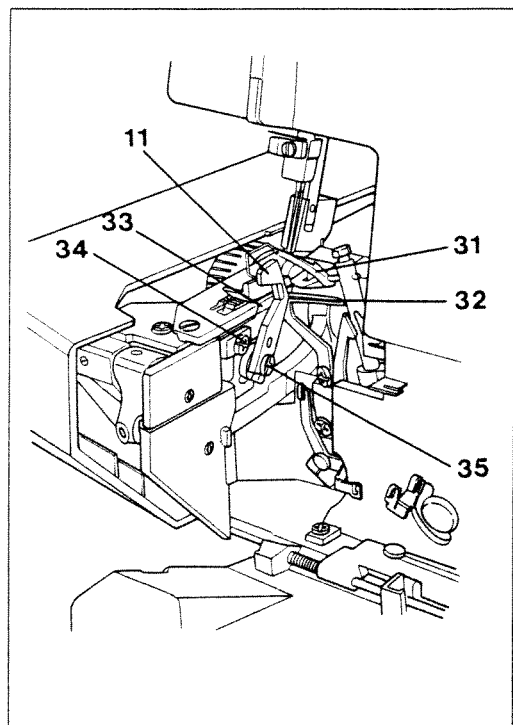
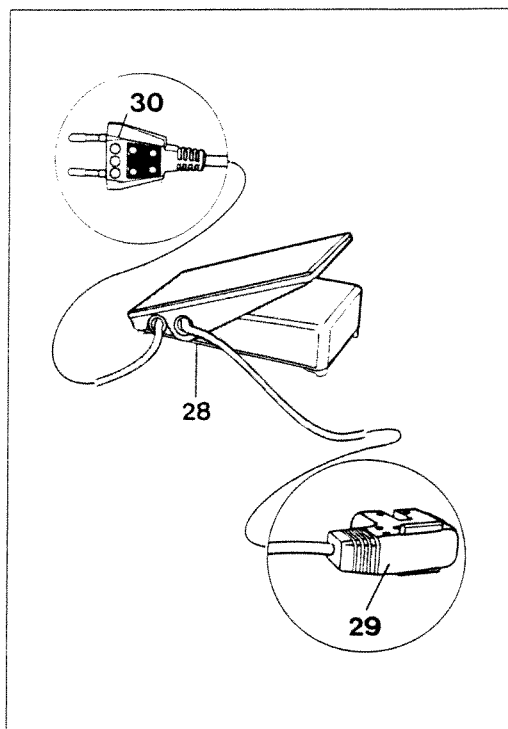
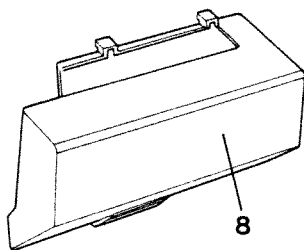


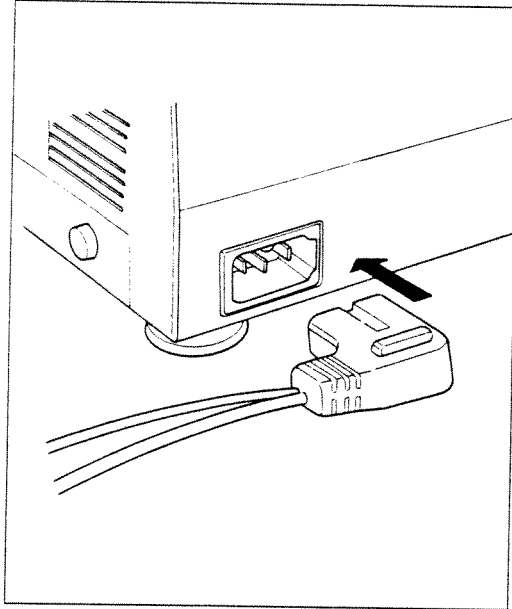
Contents

Controls of the sewing machine	2, 3
Electrical connection	4
Master switch and sewing light	4
Foot control	5
Notes on safety	5
Installing the thread spool stand	6
Opening the looper cover	7
Threading guide wires 18 and the thread guides behind the carrying handle	7
4-thread overedge seam	8
Threading the right looper	8
Threading the left looper	9
Threading the left and right needle	10
Thread reel change on threaded machine	10
Inserting the lint box	11
Seam allowance	11
Sewing test	12
Points to observe during sewing	13
Securing the seam	14
Axial blocking of the upper knife	14
Setting the standard thread tensions	15
Correcting the thread tensions	16
3-thread overedge seam	17
Thread chart	18
Adjusting the stitch length on hobbylock 784 and 786	18
Adjusting the differential feed (hobbylock 786)	19, 20
Disengaging the upper knife	21
Adjusting the seam width	21
Changing the sewing foot	22
Changing the light bulb	23
Cleaning the thread tensions	23
Rolled hems	24, 25
Changing the needles	26
Changing the knives	26
Changing the upper knife	27
Changing the lower knife	28
Oiling the machine	29
Sewing problems and their removal	30
Accessories	31
Thread spool net/thread unreeling disc	31
Specifications	32
Contents of the cardboard box	32

Controls of the sewing machine

- 1 Thread spool stand
- 2 Carrying handle
- 3 Left needle thread tension dial
- 4 Right needle thread tension dial
- 5 Right looper thread tension dial
- 6 Left looper thread tension dial
- 7 Thread tension cover
- 8 Lint box
- 9 Handwheel
- 10 Looper cover with recess
- 11 Upper knife
- 12 Work support (swivel-type)
- 13 Needle plate
- 14 Sewing foot
- 15 Needle bar
- 16 Sewing foot lifting lever
- 17 Thread spool holder
- 18 Thread guides
- 19 Thread guide bar
- 20 Machine socket
- 21 Master switch
- 22 Rear thread guide (4 x)
- 23 Differential feed adjustment knob
- 24 Accessory box
- 25 Stitch length adjustment knob
- 26 Seam width adjustment knob
- 27 Rotary lever for upper knife disengagement
- 28 Foot control
- 29 Foot control plug for machine socket
- 30 Mains plug
- 31 Right looper
- 32 Left looper
- 33 Lower knife
- 34 Lower knife screw
- 35 Retaining screw of upper knife
- 36 Thread spool centering piece
- 37 Accessories retainer
- 38 Retaining screw for blocking the upper knife



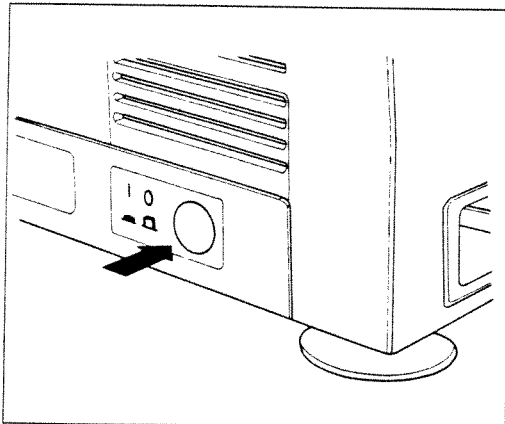


Electrical connection

Use this machine only on a flat surface or on a special sewing table.

Connecting the foot control: Insert the plug of the control in the machine socket. Then connect the mains plug to a power source.

Caution: When the machine is not in use, switch it off at the master switch and disconnect the plug from the power source. Do not place any objects on the foot control.

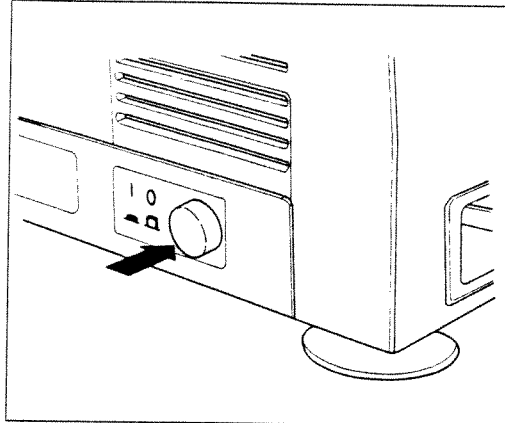


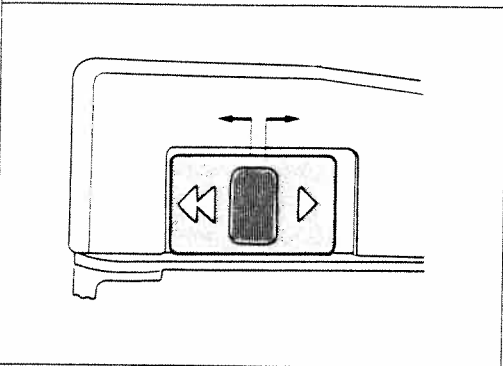
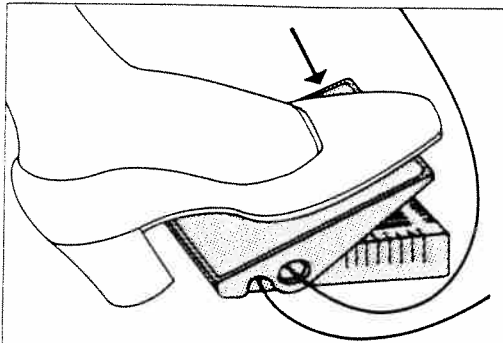
Switching the machine ON and OFF

Power and sewing light are switched on and off simultaneously with master switch 12.

Switching on:
Press switch. Machine and sewing light are switched on.

Switching off:
Press switch again. Machine and sewing light are switched off.





Foot control

The speed of the Hobbylock is regulated as follows:

The more you press the foot control down, the faster the machine will sew.

Electronic foot control

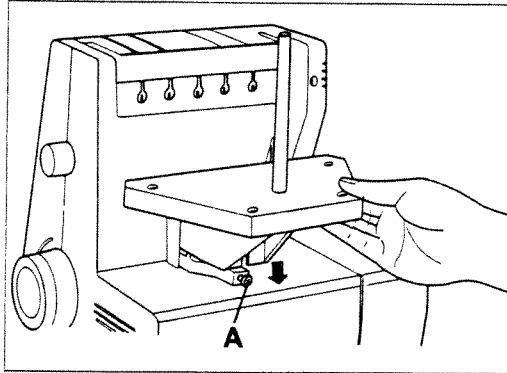
Maximum speed can be pre-selected in two steps by the switch on the foot control.

Position ► = Half speed

Position ◄◄ = Full speed

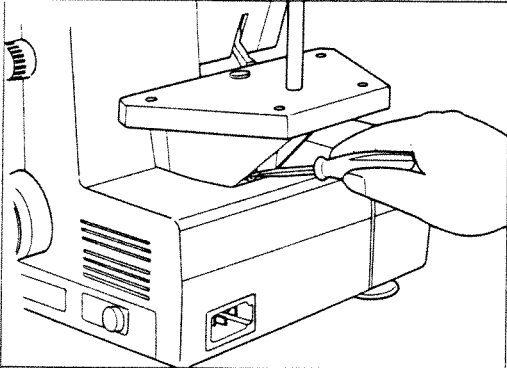
Notes on safety

- A) Owing to the up and down movement of the needles and the upper knife, the user must take sufficient care to avoid injury and observe the sewing area continuously while sewing.
- B) When leaving the machine, changing parts or accessories, the machine must be disconnected from the power source.**
- C) The maximum approved wattage of the light bulb is 15 watts.
- D) The drive belt must never be adjusted by anyone but an authorized Pfaff agent.

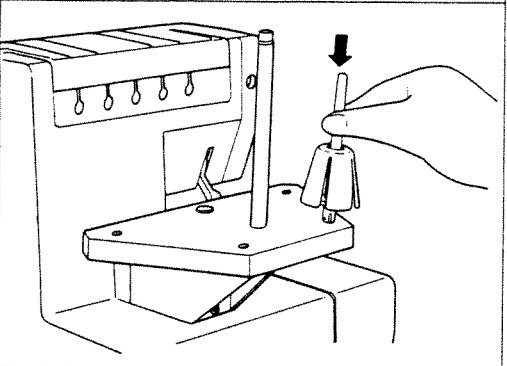


Installing the thread spool stand

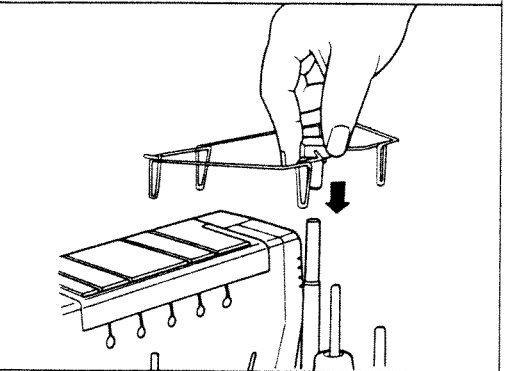
Loosen clamp screw A a little and pull washer up to the screw head. Insert thread spool stand 1 from the top.



Tighten clamp screw A securely.

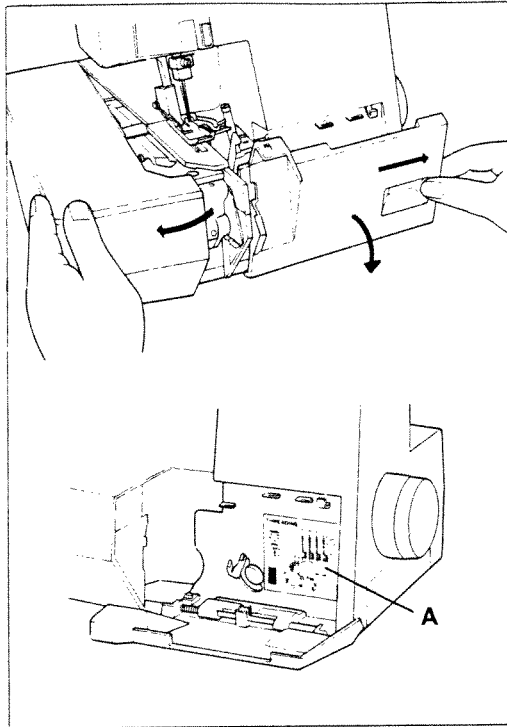


Insert four thread spool holders 17 with centering pieces 36 fully in the holes of the thread spool stand.



Push thread guiding part 18 into guide bar 19.

Pull up guide bar and align it so that thread guides 18 are exactly above the spool holders.



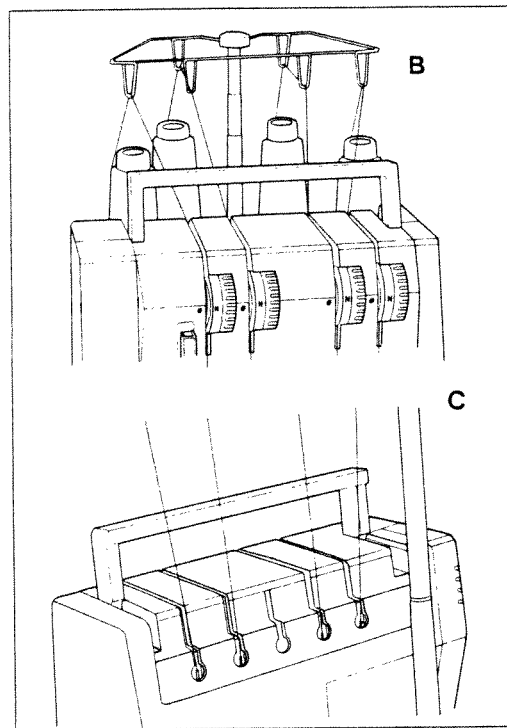
Opening and closing looper cover and work support

Push looper cover fully to the right, hold it, and swing it down.

To close the looper cover, push it up until it locks.

To open work support 12, push it to the left. To close the work support, push it to the right until it locks.

A threading diagram is fixed to the machine behind the looper cover. This diagram shows the different threading paths by different colors (see Fig. A).



Threading the guide wire of the thread spool stand and the thread guides behind the carrying handle

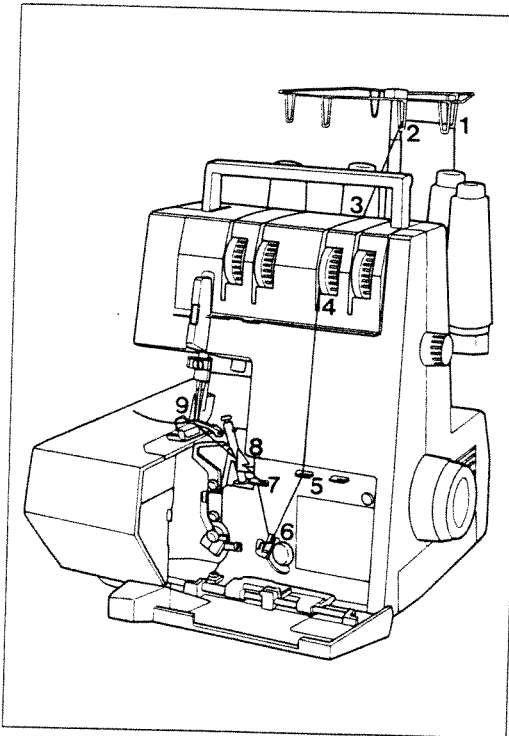
The machine must be threaded correctly. First pull the respective threads through their corresponding guides (Figs. B and C).

Then thread the tensions in the following sequence:

1. right looper (red)
2. left looper (yellow)
3. right needle (green)
4. left needle (blue)

Figure B shows the threading path of the individual threads for thread guides 18. For threading the guides behind carrying handle 2, the handle must be pulled up (Fig. C).

After threading, carrying handle 2 must be pushed down again.



4-thread overedge seam

This seam is sewn with two needle threads and two looper threads.

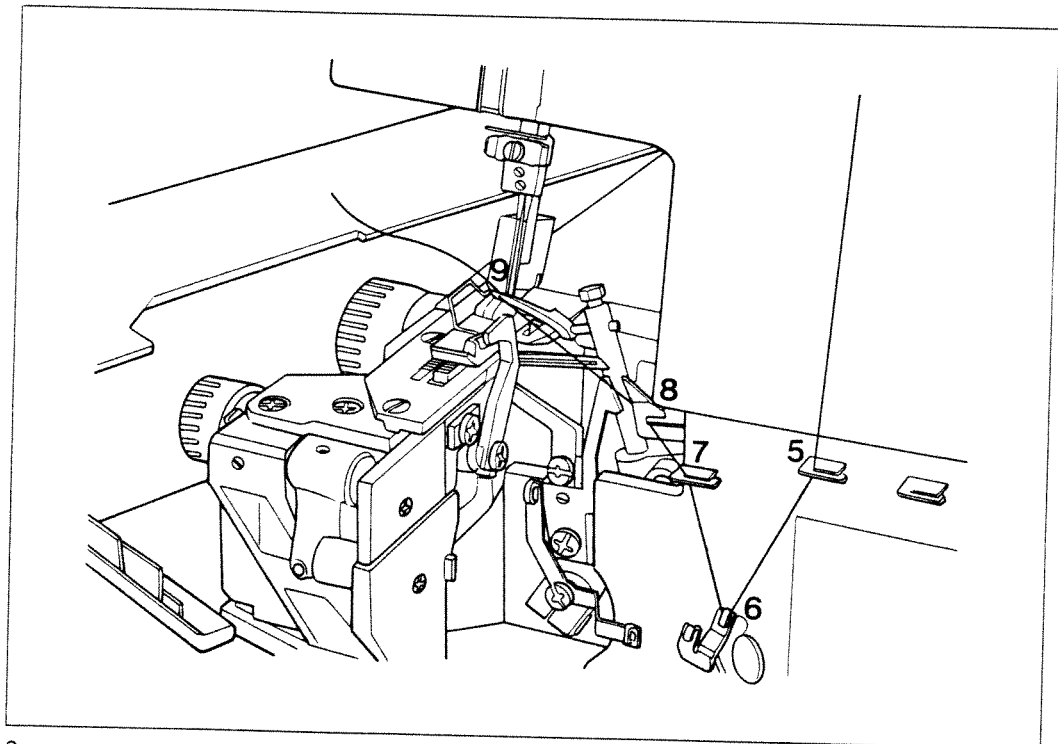
The 3-thread overedge seam is described on page 17.

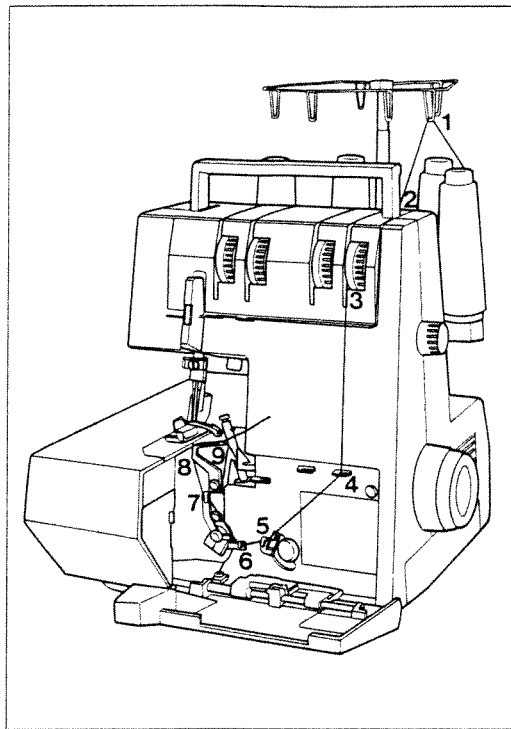
Threading the right looper:

Thread the right looper in sequence 1 to 9 and pull approximately 10 cm (4") of thread through the looper eye (the thread path is marked red).

Important:

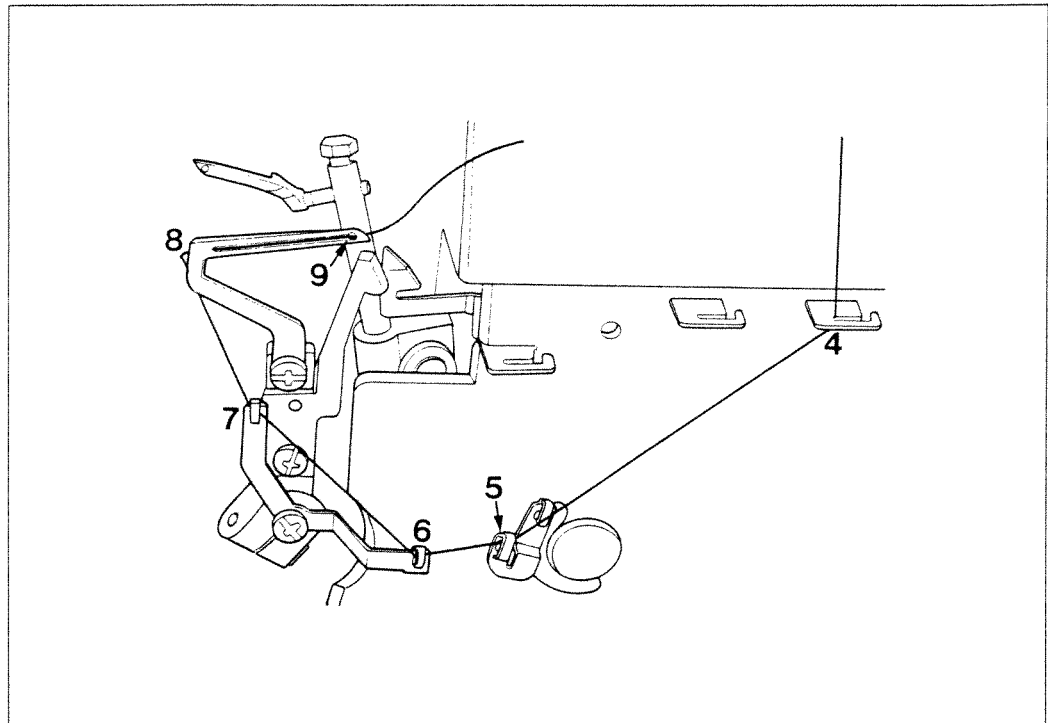
In order to obtain perfect sewing results, the thread must be pulled between the tension discs when threading the tensions.

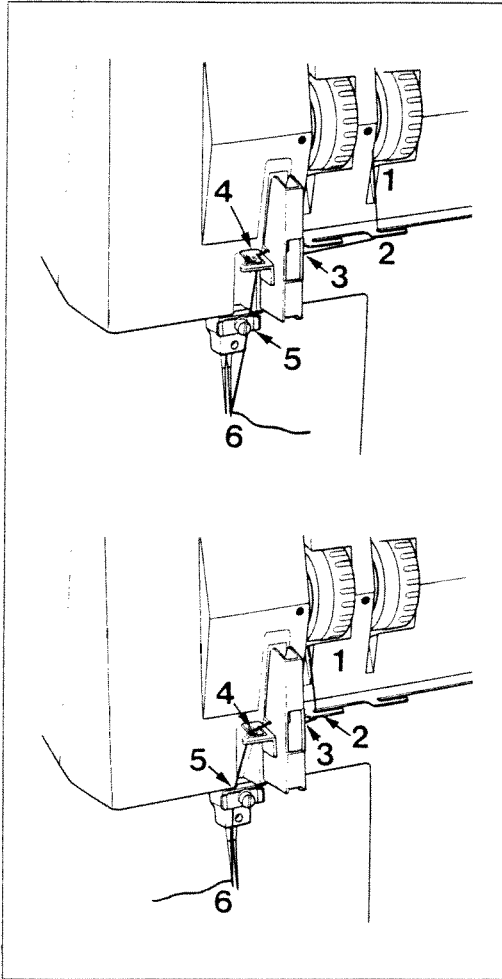




Threading the left looper:

Insert the left looper thread in sequence 1 to 9 and pull approximately 10 cm (4") of thread through the looper eye (the thread path is marked yellow).





Threading the right needle

Threading of guide wires 18 and of the thread guide behind the carrying handle is shown on page 7.

In the left-hand illustration the threading path is shown from the green tension (1) up to the right needle (6). At point 5 the thread must be pulled behind the thread retainer.

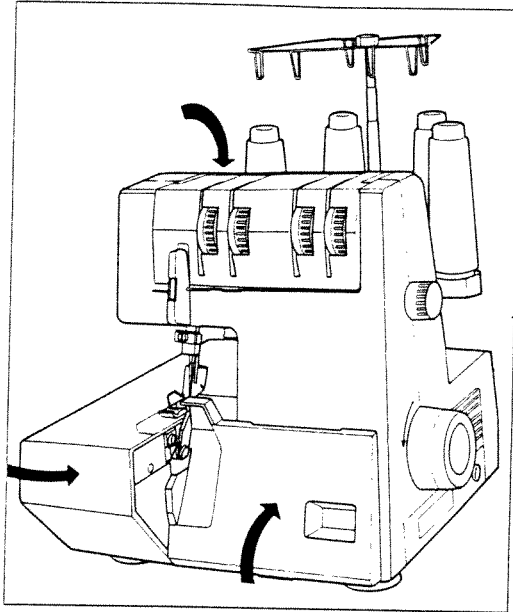
Threading the left needle

Threading of guide wires 18 and of the thread guide behind the carrying handle is shown on page 7.

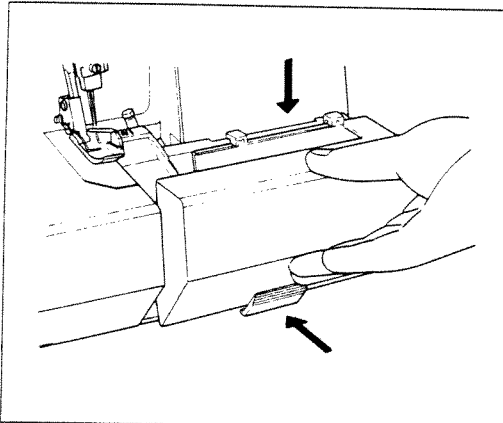
In the left-hand illustration the threading path is shown from the blue tension (1) up to the left needle (6). At point 5 the thread must be pulled behind the thread retainer.

Thread spool change on threaded machine

Cut the threads close to the thread spool. Place new thread spools on spool holders 17. Tie the threads still in the machine and the new threads together. **Pull the needle threads out of the needles.** Now pull at the thread ends until the knots are about 15 cm past the last thread guide before the needles. Cut the knots off and pull the threads through the respective needle eyes. The **looper threads** can be pulled until past the looper eyes without interruption. Pull about 10 cm of thread through the looper eye.



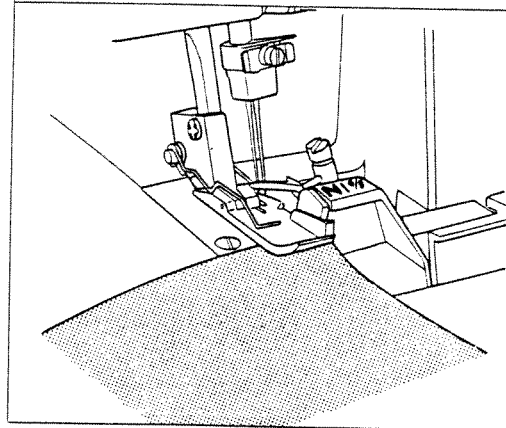
After threading the machine, push handle 2 down, and close work support 12 and looper cover 10.



Inserting the lint box:

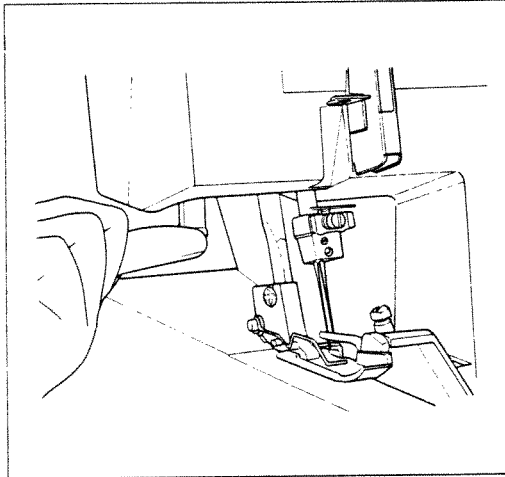
Insert the two tabs of the lint box downwards in the recess of the looper cover. Then push the bottom of the box against the machine.

For **removal** of the lint box, use the reverse order.



Seam allowance

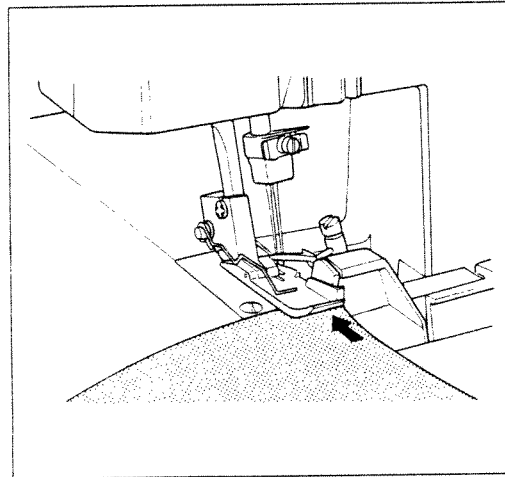
If the cutting is guided along below marking **N** on the looper cover, a **seam allowance of 16 mm must be taken into consideration when cutting the fabric.**



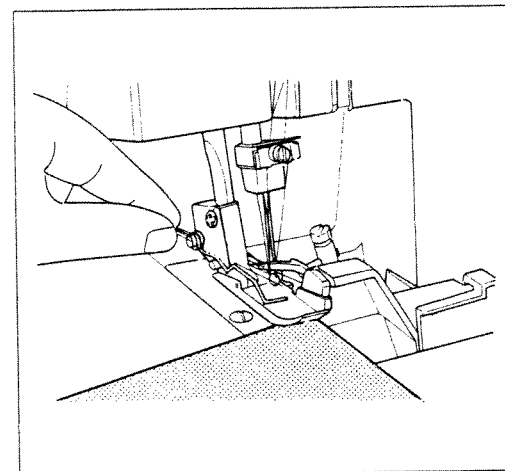
Sewing test

After threading, a sewing test should be made.

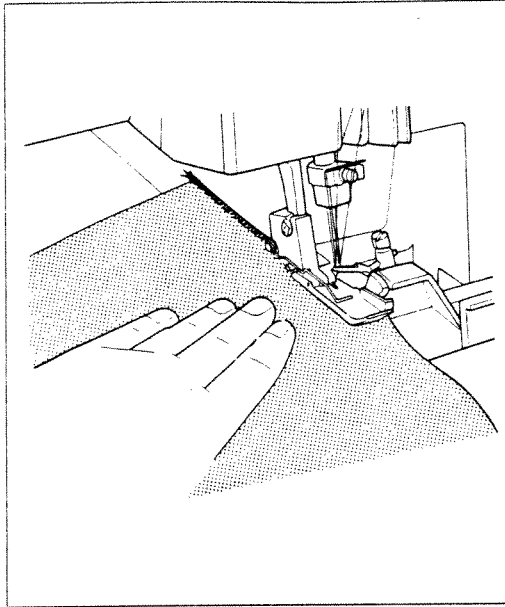
Raise sewing foot lever 16, as shown in the illustration.



Insert test fabric up to the upper knife and lower the sewing foot.



Hold thread ends with your left hand while turning hand wheel with your right hand in the direction indicated by the arrow on the wheel. Lay the threads back under the sewing foot. Make sure that threads have interlocked correctly.

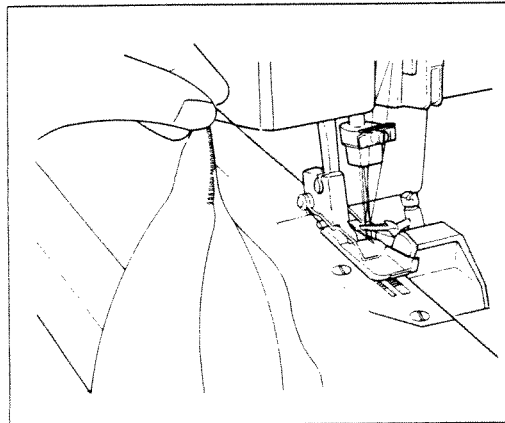


Points to observe during sewing

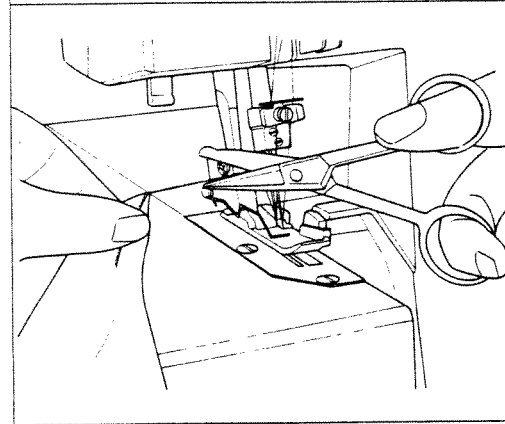
Place the fabric completely under the sewing foot when starting to sew. (Also after the machine has been rethreaded.)

Sew the first stitches slowly.

Since the fabric is fed automatically, do not pull or push the fabric. Use your hand for guiding only.



Sew approximately 5 cm beyond the end of the seam and use a scissors to cut the thread chain.



Securing the seam:

Knot the thread chain. For knit fabrics, a crochet needle can be used to pull the thread chain into the seam.

Or:

Sew about 5 cm (2") beyond the end of seam. Then turn the workpiece around and sew a few stitches over the seam just sewn without cutting the thread chain.

Blocking the upper knife

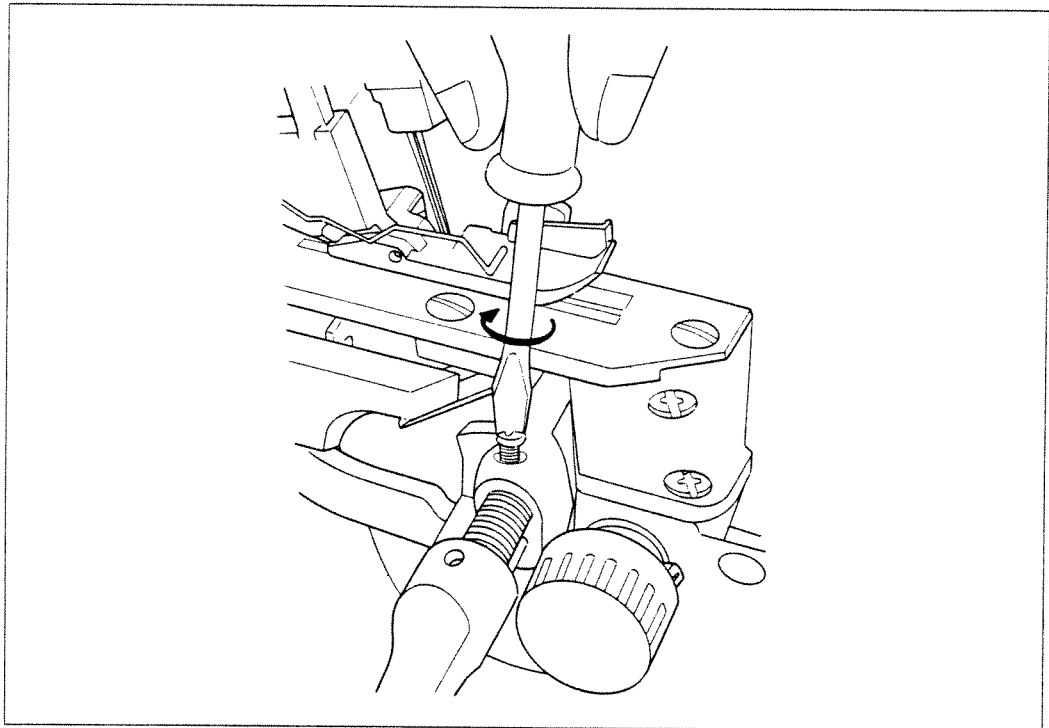
Sewing very thick fabrics and workpieces with different thicknesses:

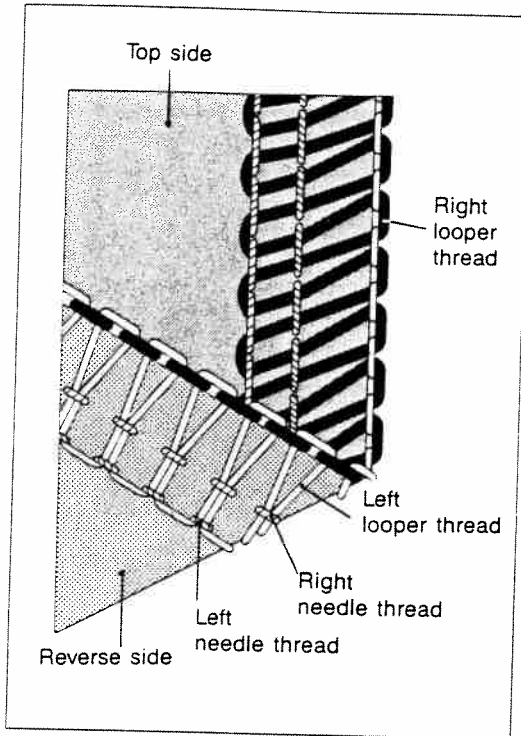
On this machine, all kinds of fabric from extremely thin to extremely thick can be processed. When sewing extremely thick fabrics or workpieces with different thicknesses, the screw of the upper knife must be tightened, as shown in the illustration.

By tightening the screw, axial movement of the upper knife is inhibited.

Note:

When sewing thin or medium fabrics, the screw of the upper knife holder must be loosened by about 2 turns, so that the upper knife can move axially.





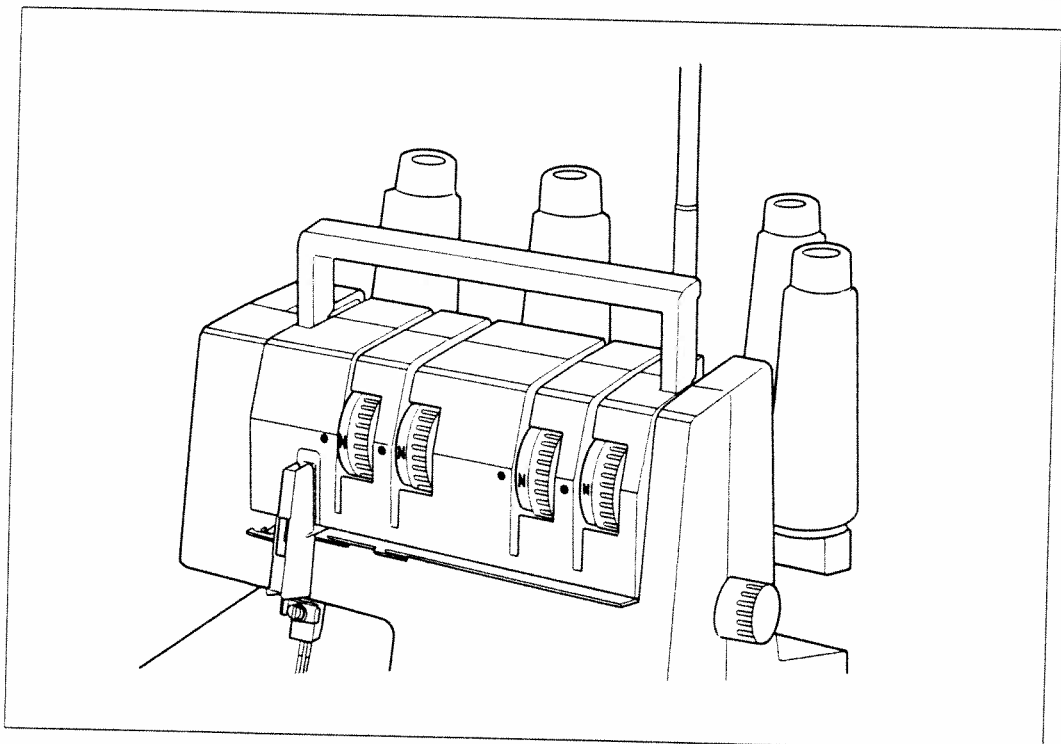
Setting the standard thread tension N

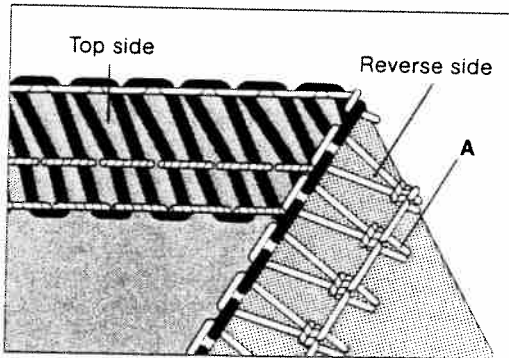
The thread tension to be set depends on the fabric type and thread size used.

Set the **N** on the thread tension dials opposite the round symbol (see illustration below).

Make the correct adjustment after examination of the interlocking of threads (the illustration on the left shows a correct seam).

Page 16 lists examples for correction of the individual thread tensions.

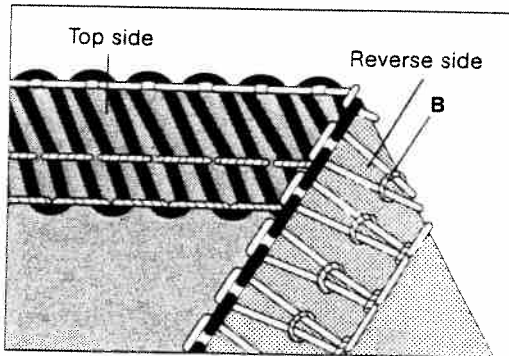




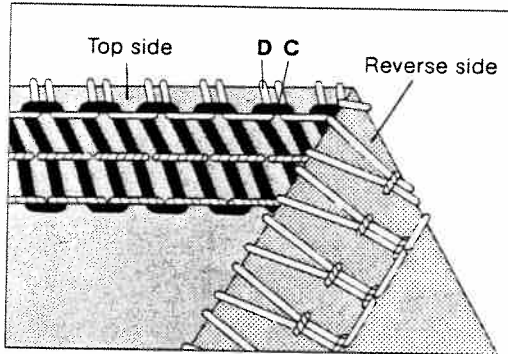
Correcting the thread tensions

When the thread tension is turned in (+) direction, the tension is increased. When turned in (-) direction it is decreased.

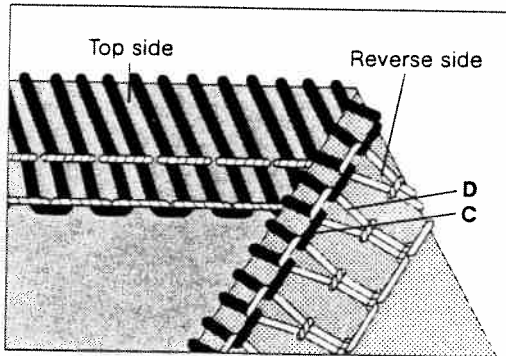
The left needle thread **A** is too loose (blue thread tension).



The right needle thread **B** is too loose (green thread tension).



The right looper thread **C** is too tight (red thread tension) or the left looper thread **D** too loose (yellow thread tension).



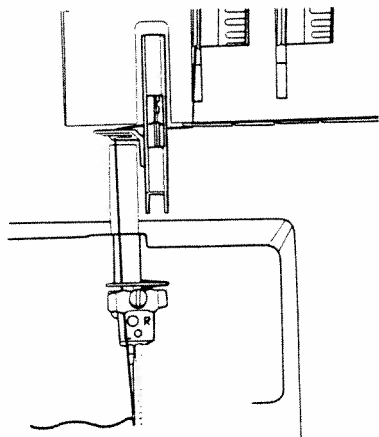
The left looper thread **D** is too tight (yellow thread tension) or the right looper thread **C** too loose (red thread tension).

3-thread overedge seam:

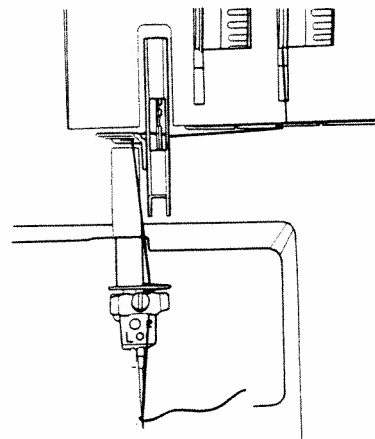
The 3-thread overedge seam is sewn with **two looper threads** and **one needle thread**.
The left or right needle must be removed.

3-thread overedge seam

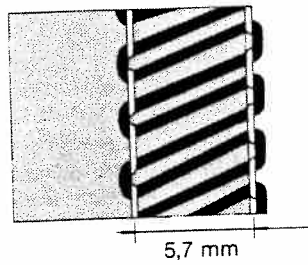
Left needle



Right needle

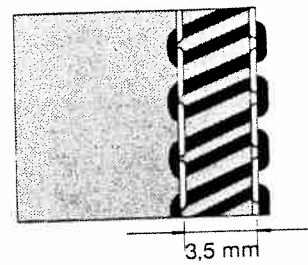


Standard seam width N



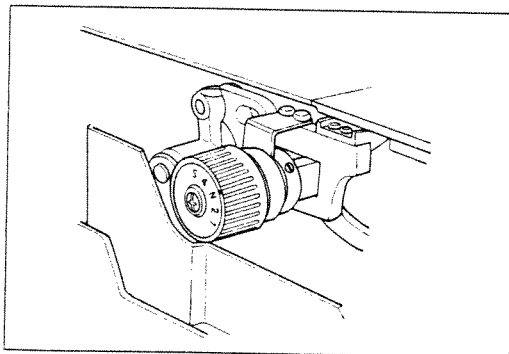
Max. seam width 7.2 mm

Standard seam width N

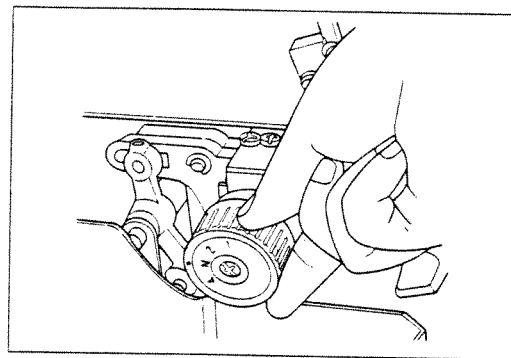


Max. seam width 5 mm

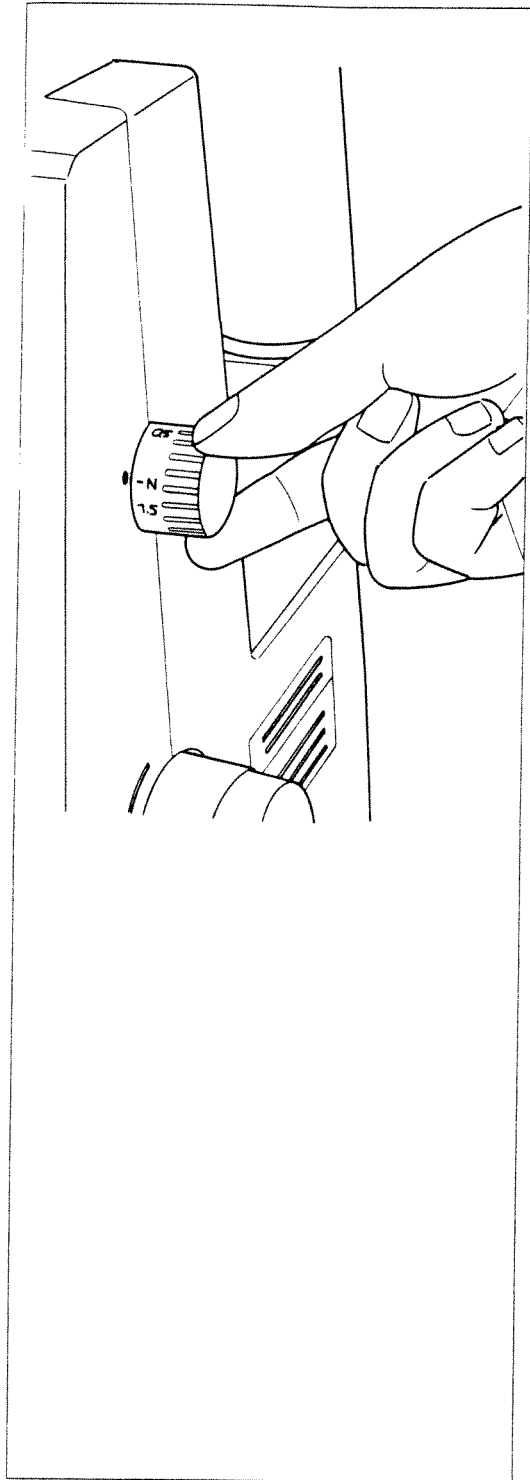
Thread chart for 4-thread overedge seam		
Material	Thread	Stitch length
Light materials: Organdy, light-knit fabric, Taffeta, silk, lining materials	Cotton No. 80-100 Silk No. 80-100 Synthetic thread No. 70-140	2.0 to 4.0 mm
Medium-heavy materials: Cotton, tricot, linen, dress materials	Cotton No. 60-100 Silk No. 50-100 Synthetic thread No. 70-140	2.0 to 4.0 mm
Heavy materials: Tweed, suit materials, denim, heavy cloth	Cotton No. 40-60 Silk No. 40-60 Synthetic thread No. 70-140	2.0 to 5.0 mm (784) 2.0 to 4.0 mm (786)
Knit fabrics:	Cotton No. 40-60 Silk No. 40-60 Synthetic thread No. 70-140	2.0 to 5.0 mm (784) 2.0 to 4.0 mm (786)
Rolled hem	Polyester thread No. 120-140 Mercerized thread (bulk thread)	1.0 to 2.0 mm



Setting the stitch length on the hobbylock 784 without differential feed
 Open work support 12. Hold hand wheel 9 fast and set stitch-length adjustment knob 25 at the stitch length desired between 1 and 5 mm. Standard setting N is 3 mm.



Setting the stitch length on the hobbylock 786 with differential feed
 Open work support 12. Hold hand wheel 9 fast and set stitch-length adjustment knob 25 at the stitch length desired between 1 and 4 mm. Standard setting N is 3 mm.



Adjusting the differential feed on the hobbylock 786

The differential feed prevents inter-ply shift. It consists of two feed dogs, arranged one behind the other, which both pick up and move the workpiece at the same time.

The feed amount of either feed dog can be set separately. It is possible to have the workpiece moved more by the front feed dog than by the rear one and vice versa. Owing to that very good sewing results are accomplished. Set the differential feed according to the material you wish to process (see table on page 20). The following settings at button 23 are possible:

- Setting **0.5** = Short stroke of front feed dog, long stroke of rear feed dog
- Setting **-N** = Same stroke of both feed dogs
- Setting **1.5** = Long stroke of front feed dog, short stroke of rear feed dog
- Setting **2** = Front feed dog set for longest possible stroke, rear feed dog set for shortest possible stroke

The differential feed can be set infinitely from 0.5 to 2, also during sewing.

Note:

The following variants can be employed to obtain fashionable effects on garments:

The **gather effect** is obtained at a differential feed setting of 1.5 - 2 when light fabrics are processed.

The **wave effect** is obtained at a differential feed setting of 0.5 when medium to heavy elastic fabrics are processed.

This table indicates possible settings of the differential feed. In order to make sure about the setting required for the fabric you wish to process, a sewing test has to be made. The differential feed can also be set during sewing.

Setting of differential feed	Illustration	Correct seam	Fabric
0.5 to — N	1	a	Nylon, tricot, lining fabrics, satin, poplin, and silk
— N	2	c	Light cotton, jeans (normal fabrics)
1.5	3	d	Jersey, medium cotton, nicki fabrics, light knittings
1.5 – 2	4	f	Heavy knitwear, very elastic fabrics, rib stitch goods

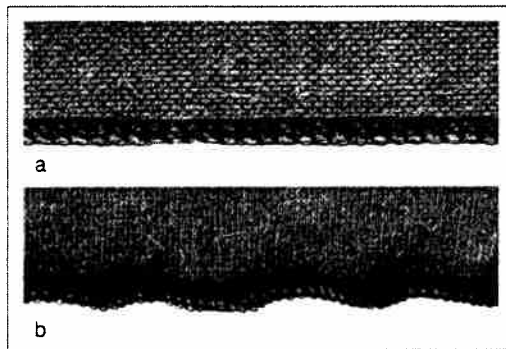


Fig. 1

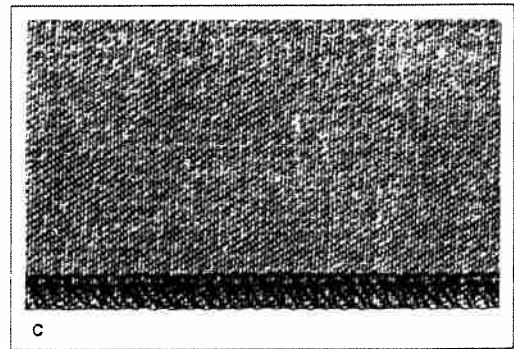


Fig. 2

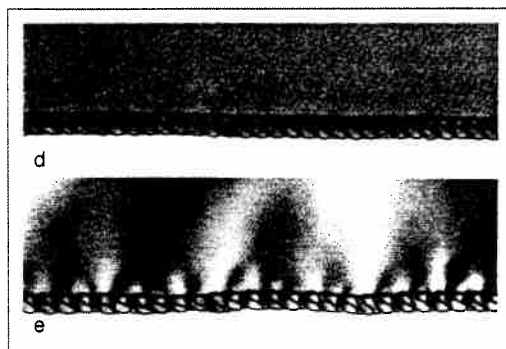


Fig. 3

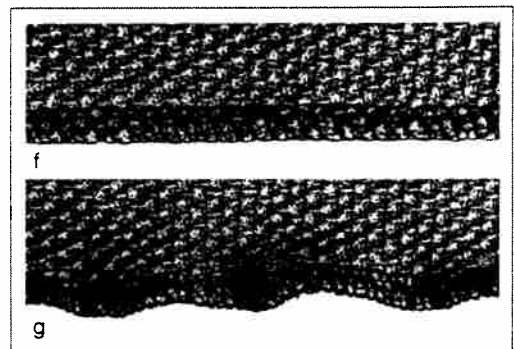
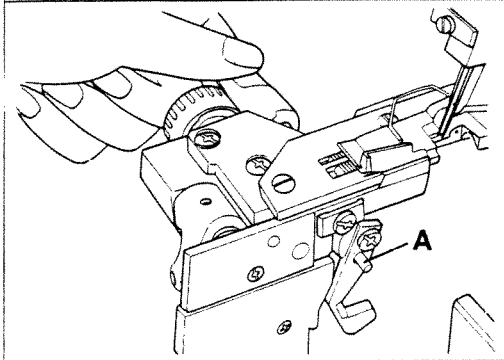
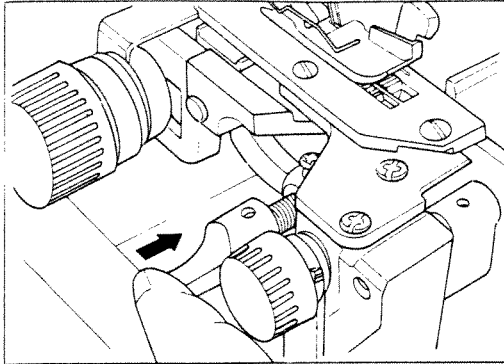


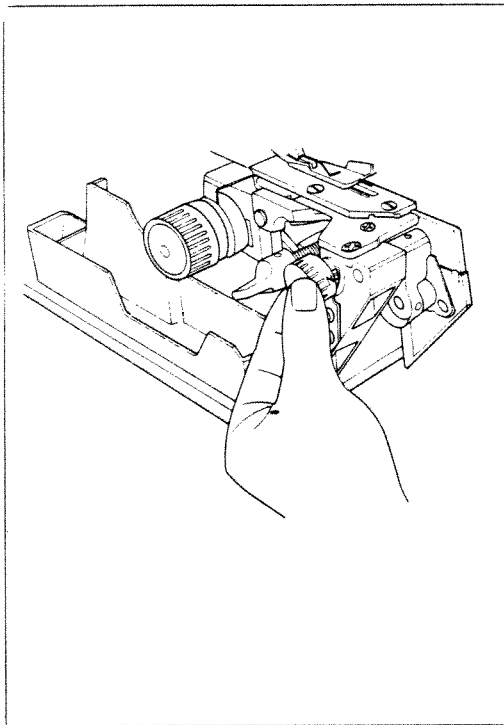
Fig. 4



Disengaging the upper knife

Remove lint box 8. Open work support 12 and looper cover 10. If necessary, loosen screw 38 for axial upper knife blocking.

Push rotary lever 27 of the axial upper knife guide fully to the right, hold it, and turn it forwards until **pin A** engages in the hole of the knife. Now the upper knife is disengaged.



Adjusting the seam width

The standard seam width setting is marked with N (3.5 mm).

Disengage the upper knife according to the above description.

The desired seam width is set with adjusting knob 26. The scale on the seam-width adjustment knob ranges from 2.5 to 5.

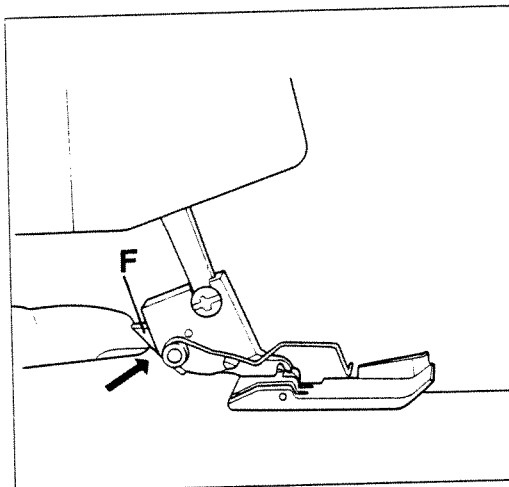
Set the upper knife at its basic position again and close the looper cover.

When processing thick fabrics, securely tighten screw 38 for blocking the upper knife, see page 14.

Sew a test seam.

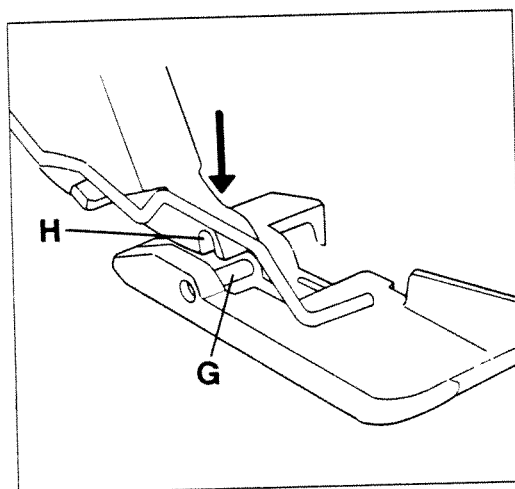
Note:

After adjusting the seam width, it may be necessary to re-adjust the thread tension.



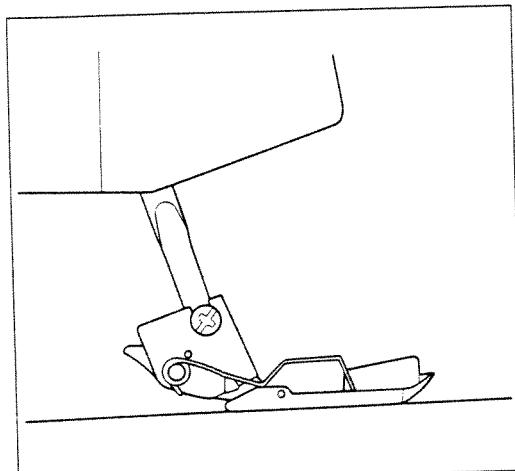
Changing the sewing foot

Raise sewing foot lifting lever 16.
Disengage the sewing foot by pressing lever F.

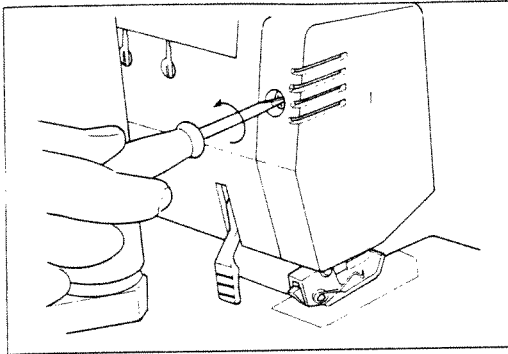


Engage the sewing foot.

Place the sewing foot under the sewing foot holder so that when you lower the sewing foot lifting lever, crosspiece G of the foot engages in groove H of the sewing foot holder.



The illustration on the left shows a correctly engaged sewing foot.



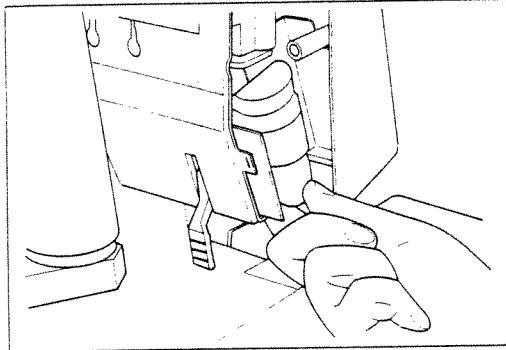
Changing the light bulb:

Pull out the mains plug.

Loosen the housing cover retaining screw.

Open the housing cover.

Behind it, the light bulb of the sewing light is situated.



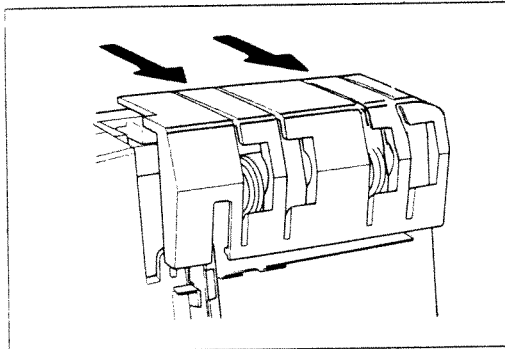
Removing the light bulb:

Push the light bulb upwards and turn it fully to the left.

Inserting the light bulb:

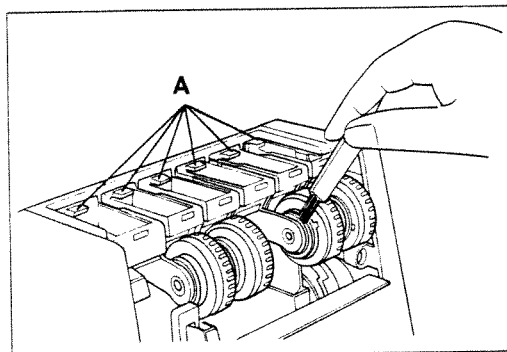
Insert the new bulb (15 Watt max.) with the pins in the slots, push it up and turn it fully to the right.

Close and fasten housing cover.



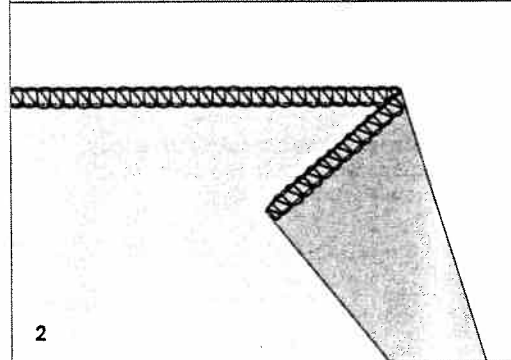
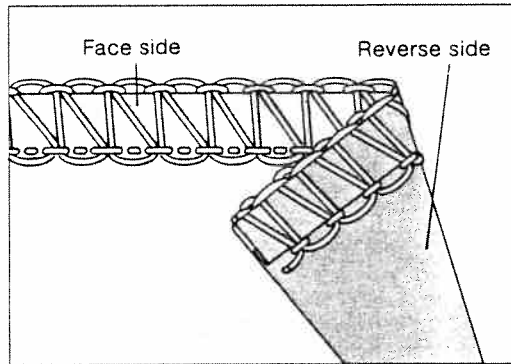
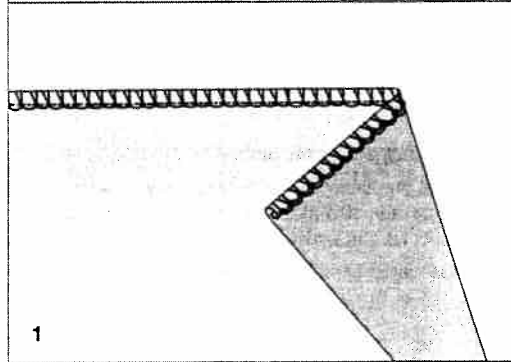
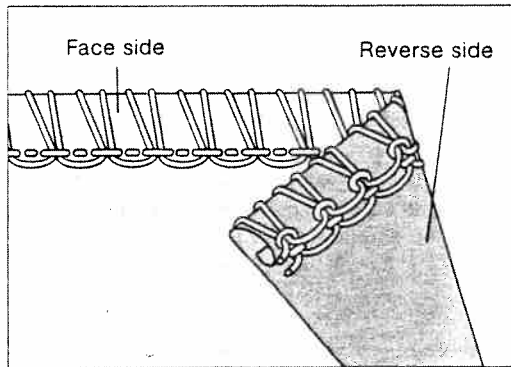
Cleaning the thread tensions:

Pull thread tension cover 7 with both hands to the front (direction of arrow) and remove it.



Use the brush provided with the accessories to remove dust and lint from between the tensions.

Replace the thread tension cover by engaging the tabs of the cover in retainers A of the housing.



Rolled hem

sewn with polyester thread 120-140.

A rolled hem is used for light, delicate fabrics and is an attractive finish for open edges. Without any effort you can sew professional rolled hems on neck scarves, shawls and valances.

A rolled hem is sewn with three threads (see page 25).

Rolled hem with polyester thread

Preparation of the sewing machine:

Needle: **remove left needle**
Sewing foot: engage rolled hem foot "R"
Seam width: from 3.0 to 4.0 mm (depending on material)
Stitch length: from 1.0 to 2.0 (short stitch length)
Thread: polyester thread 120-140 for green, red and yellow thread tensions

Threading path:

- | | |
|------------------------------|------------------|
| 1. right looper, red path | polyester thread |
| 2. left looper, yellow path | polyester thread |
| 3. needle thread, green path | polyester thread |

For threading of needle and loopers, see pages 7 to 11.

Tension setting:

	round edge, Fig. 1	flat edge, Fig. 2
Red thread tension, right looper	approx. "N"	approx. +5
Yellow thread tension, left looper	+5	approx. "N" to -1
Green thread tension, needle thread	approx. "N"	approx. "N" to +1

Depending on material and thread, the respective thread tension must be set higher or lower.

Rolled hem, sewn with bulk thread:

This hem requires three threads, one bulk thread and two polyester threads 120-140.

Preparation of the machine, as described above.

Thread: bulk thread - red tension
polyester thread 120-140 for green and yellow tensions

Threading path:

- | | |
|------------------------------|--------------------------|
| 1. right looper, red path | bulk thread |
| 2. left looper, yellow path | polyester thread 120-140 |
| 3. needle thread, green path | polyester thread 120-140 |

For threading of needle and loopers, see pages 7 to 11.

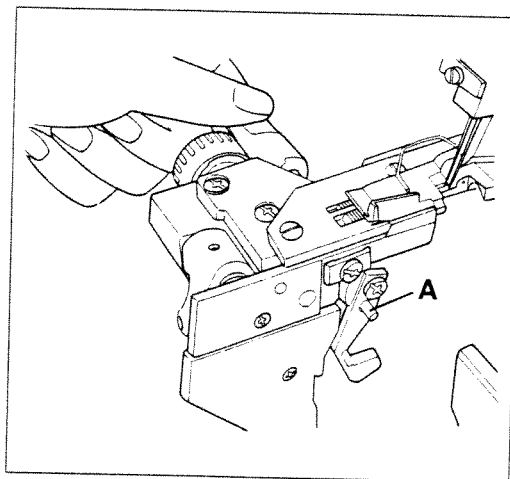
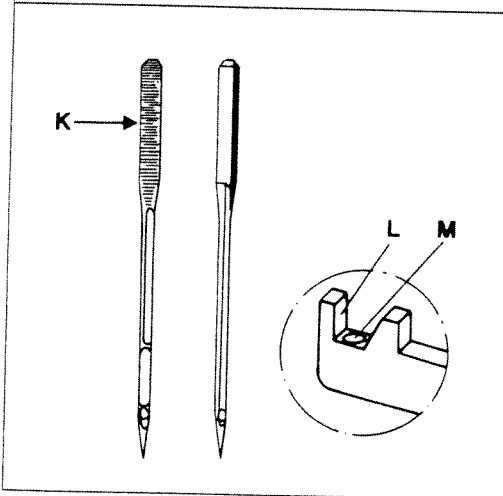
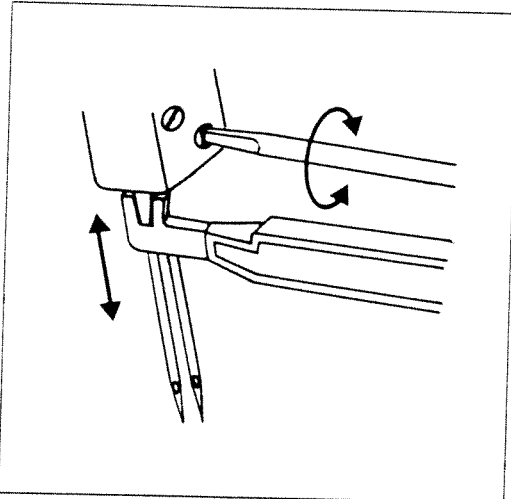
Tension setting:

	round edge, Fig. 1	flat edge, Fig. 2
Red thread tension, right looper	approx. "N" to -3	approx. "N" to +5
Yellow thread tension, left looper	approx. +5	approx. "N"
Green thread tension, needle thread	approx. "N"	approx. "N"

Note:

Rolled hems can also be sewn with two bulk threads and one polyester thread.
The bulk threads must then be threaded in the left and right looper.

Depending on material and thread, the respective thread tension must be set higher or lower.



Changing the needles

Pull out the mains plug. Lower the sewing foot. Turn the hand wheel in the direction of the arrow until the needle bar is at its highest position. Use the needle change tool from the accessories (see p. 31, item 11) as follows: Insert the needle in hole **M** of the needle change tool. Loosen the set screw of the needle with the screw driver. Remove the needle by pulling it downwards.

Inserting the needle

Insert the needle in hole **M** of the needle change tool in such a way that flat side **K** of the needle shank faces surface **L** of the needle change tool. Then push the needle up into the needle holder as far as it will go.

Tighten needle set screw securely. Remove needle change tool from the needle.

Notes:

The following needles are used on these machines:

System 130/705 H (75–90)

Although the correct needle size depends on the material and the thread size used, we recommend needle size 75–90.

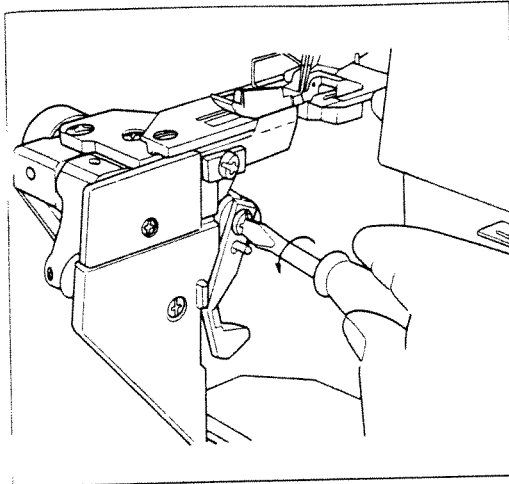
An incorrectly inserted needle will cause thread breakage and skipped stitches.

Changing the knives

Knives are available as spare parts.

Pull out the mains plug.

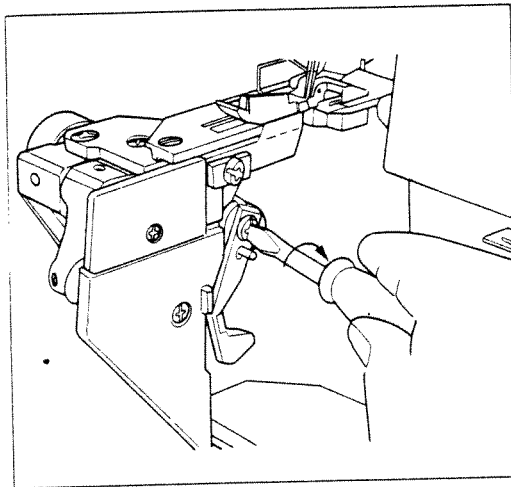
Disengage the upper knife, see page 21.



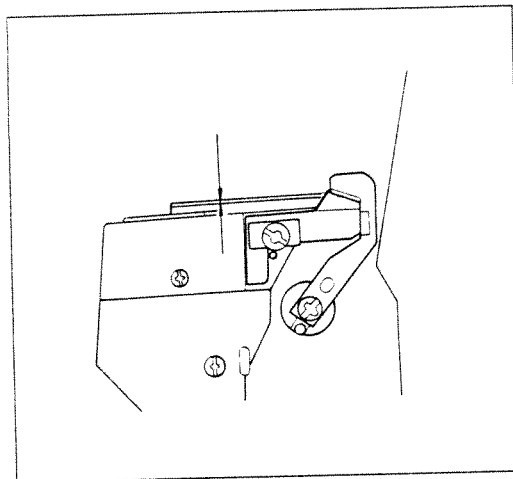
Changing the upper knife:

Pull out the mains plug.

Unscrew the knife retaining screw and remove upper knife.

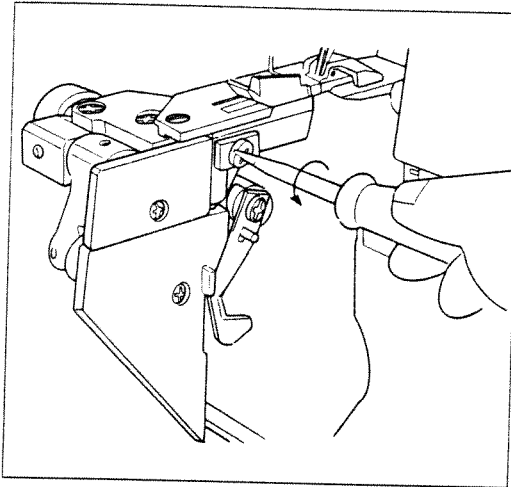


Insert the new upper knife and tighten its retaining screw securely.



Set upper knife with knife guide 27 up (cutting position). Turn the handwheel until the upper knife is at its lowest position.

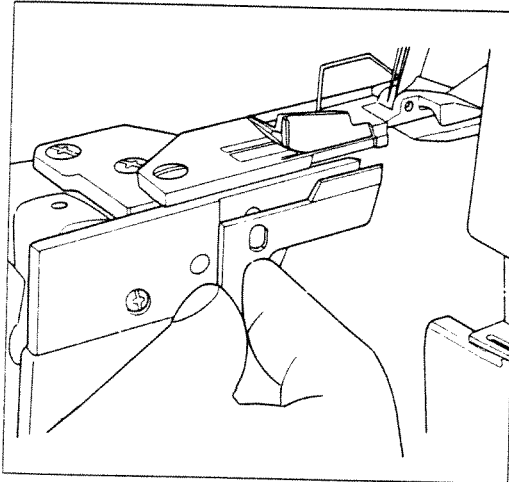
In this position, the front edge of the upper knife must be **0.5 to 1 mm below** the needle plate surface.



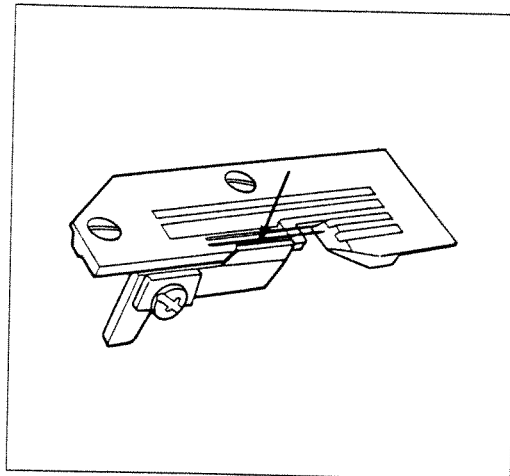
Changing the lower knife

Pull out the mains plug!

Disengage the upper knife (see page 21).
Remove the retaining screw of the lower knife.



Place the new lower knife against the left
guide of the lower knife holder and push
it up, as shown in the illustration.
Replace the screw with the pressure
plate.

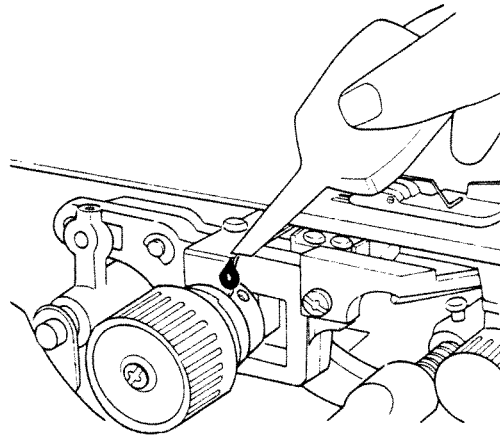
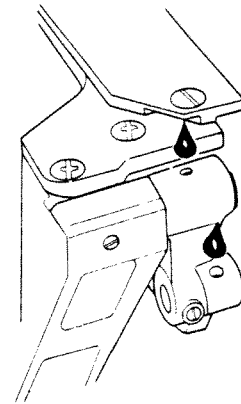
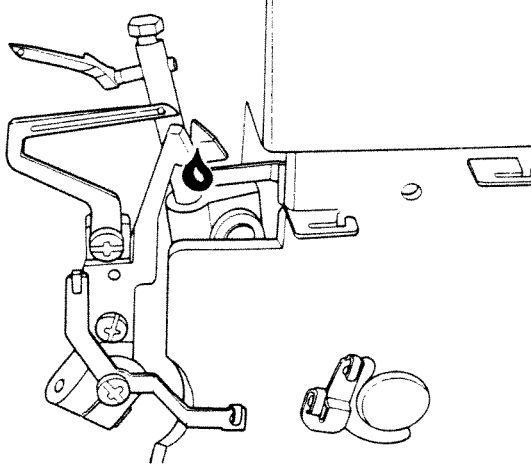


Align the cutting edge of the lower knife
so that it is flush with the needle plate
surface.

Before tightening the retaining screw,
align the pressure plate. Reset the
upper knife to cutting position.

Oiling the machine:

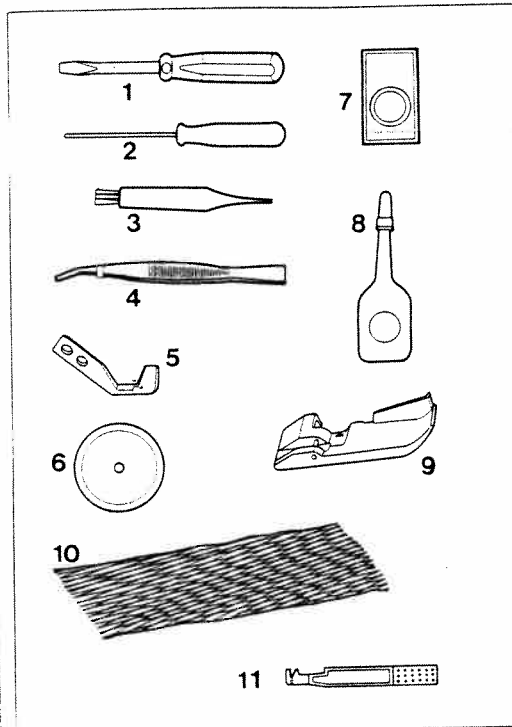
Every time before you take the machine into operation, you should apply a little oil to the places indicated. The bushings and other important moving parts are made of special material and need to be oiled only once or twice a month. One to two drops of high-quality sewing machine oil are sufficient for oiling.



Sewing problems and solutions

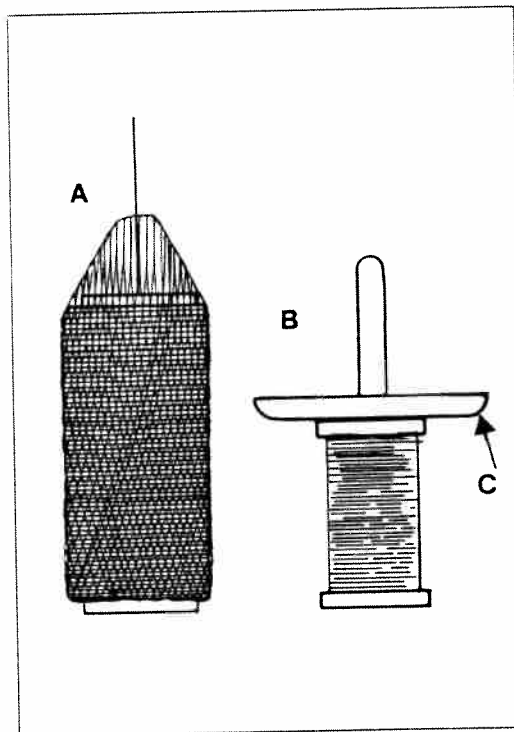
These machines have been developed for easy operation, and there are no difficult adjustments to be made. Sewing problems of the kind described below may occur due to minor adjustment- and operation errors. They can easily be corrected by following the instructions below.

Problem	Cause	Solution
Needle breakage	Needle bent or point damaged. Needle not fully inserted. Material pulled.	Insert new needle. Insert new needle correctly (see page 26). Do not pull material during sewing.
Thread breakage	Incorrectly threaded. Thread has caught. Thread tension too tight. Needle not fully inserted. Incorrect needle used.	Thread correctly (see pages 7–10). Check whether thread catches at the reel stand, etc. Regulate tension, (pages 15, 16). Insert needle correctly (page 26). Use needle system 130/705 H
Skipped stitches	Needle bent or point damaged. Needle not fully inserted. Incorrect needle used. Incorrectly threaded.	Insert new needle. Insert needle correctly (page 26). Use needle system 130/705 H Thread correctly (pages 7–10).
Incorrect stitch formation	Incorrect setting of thread tensions.	Set thread tensions correctly (pages 15, 16).
Puckered seams	Thread tension too tight. Incorrect setting of differential feed. Thread has caught due to incorrect threading.	Reduce thread tension (especially for light materials) (pages 15, 16). Re-adjust differential feed. Thread correctly (pages 7–10).



Accessories

- 1 Screwdriver (big)
- 2 Screwdriver (small)
- 3 Lint brush
- 4 Tweezers
- 5 Upper knife
- 6 Thread unreeling disc
- 7 Needles
- 8 Sewing machine oil
- 9 Rolled hem sewing foot
- 10 Thread spool net
- 11 Needle change tool



Thread spool net

Very useful for synthetic threads which tend to become loose, unravel and slip down (Fig. 1).

Thread unreeling disc

The thread unreeling disc shown as item 6 of the accessories is used for smaller thread spools.

Remove thread spool centering piece 36 from the thread reel pin.

Put the thread spool on the thread reel pin and place the thread unreeling disc on top of it, with rounded-off section C facing down, as shown in Fig. B.

Specifications:

Maximum sewing speed	1,300 stitches/min.
Seam width	3 - 7.2 mm
Stitch length	1 - 4 mm (HL-786) 1 - 5 mm (HL-784)
Sewing foot	Hinged
Lubrication	Manual
Sewing foot height	5 mm
Needle system	130/705 H (no. 75 - no. 90)
Number of threads	4
Dimensions	315 x 280 x 330 mm
Weight	approx. 8.0 kg

Contents of cardboard box

- 1 machine with motor
- 1 foot control
- 1 instruction manual/guarantee certificate
- 1 lint box
- 1 thread spool stand
- 4 thread spool stand bars
- 1 thread guide
- 1 machine cover