



SHENZHEN FENDA TECHNOLOGY CO.,LTD.,GUANGDONG,PRC
 ADD: Fenda Hi-Tech Park, Zhoushi Road, Shiyuan, Baoan, Shenzhen, Guangdong, PRC
 Tel: +86-755-27486668 (800 line) Fax: +86-755-27486663 P.C.: 518108



F380X User Manual

2.1 Computer Multimedia Speaker

1 Sound unwired



CAUTION

- Do not place the system in the high-temp and humid environment, prevent it from raining or rough handling and strong shock.
- In order to avoid electric shock and other accidents, do not open the right side panel cover for repair without any professional guidance.
- In case fragments or other liquids are accidentally sprinkled inside the cabinet, please switch off the power immediately. In case of repair, please come to the professional maintenance for help.
- Switch off the power and take off the plug from the power jack when the system is not on work.
- Keep it safe from water drops or splashing water, and no liquid container allowed to be put on its top side.
- Keep the cabinet vent far from the wall by 20mm at least and the air vent should not be blocked. Do not keep it close to the fire.

FEATURES

- Seamlessly stream music from your iPad, iPhone, Android device, laptop or other Bluetooth-enabled devices. No wires means your mobile devices stay mobile.
- Bluetooth & NFC enabled speaker allowed you to stream your music from your smart device.
- Innovative, colorful LED brightens the listening experience.
- USB/SD/FM/AUX you can play your entire collection with ease
- Built-in OCL Amplifier, super-bass design for subwoofer and with the output of 3 channel.
- Powerful and perfect transformer to assure transforming efficiency and strong power output.
- Adaptable to any equipments with audio system such as PC, VCD, DVD, LCD & TV etc.

SYSTEM COMPOSITION

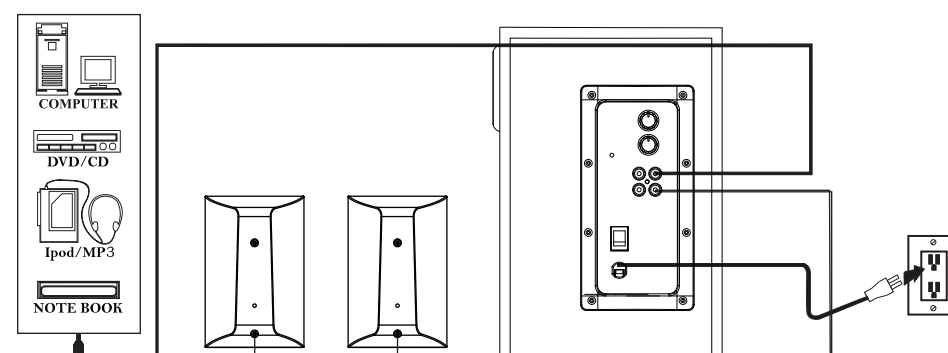
- Subwoofer unit 1pc
- Plastic satellite speakers 2pcs
- Remote control 1pc
- Operation manual 1pc
- 3.5mm to RCA stereo cable 1pc
- RCA to RCA stereo cable 1pc (optional)



2 Sound unwired

INSTALLATION GUIDE: (See the below guiding pictures)

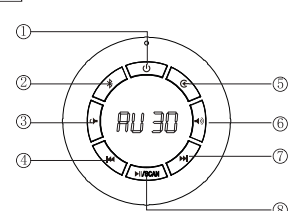
- Connect the satellite speaker cable to the output port of subwoofer in respective color port
- Insert input signal cable (RCA Socket) into subwoofer input port and the other end with output port of your Audio/Video system in respective color port.



3 Sound unwired



Front panel keys



- Standby button
- Bluetooth button
- Volume decrease button
- Previous/CH- button
- Source button
- Volume increase button
- Next/CH+ button
- Play/Pause/FM auto scan button

Function of Panel keys

- A. : Turn on/off unit.
- B. : short press to Bluetooth mode, long press entering pairing mode, display will flash fast.
- C. : Decrease or increase the volume level.
- D. : Switch between BT, AUX, USB/SD and FM mode.
- E. : **PLAY/PAUSE**
- USB/SD Mode: short press for play/pause music.
 - FM Mode: Short press to start Auto Search & this will store the found frequencies (channels) automatically.
 - Bluetooth mode: short press to play/pause music.
- F. : **PREVIOUS/NEXT**
- USB/SD mode: Short press to select previous song and long press to select previous folder.
 - FM mode: Short press to select previous stored station.
 - Bluetooth mode: short press to select previous song.

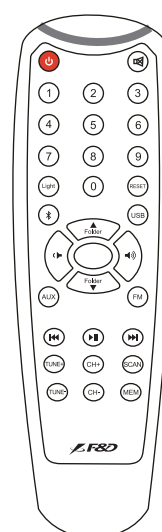


4 Sound unwired

- G. : **FM**
- USB/SD mode: Short press to select next song and long press to select next folder.
 - FM mode: Short press to select next stored station.
 - Bluetooth mode: short press to select next song.

Remote control

- Remote control keys function
- A. : turn on/off unit.
- B. AUX, : USB (For USB /SD Mode) and FM key: short press the keys to switch to respective modes.
- C. : press it to mute or unmute the sound.
- D. : increase or decrease master volume.
- E. Tune +/- : FM mode:
 Fine Tuning: Short press to increase or decrease one step (100KHz),
 Manual Tuning: Long press of this key works for Manual tuning.
- F. MEM: Short press of this key work to store tuned station through Fine or Manual tuning.
- G. CH+/-FM mode: select stored station.
- H. Scan: FM mode: Short press to start Auto Search & this will store the found frequencies (channels) automatically.
- I. Enter: confirm selection and return to main screen.
- J. Light: Short press to turn on/off the lights.
- K. 0-9 number keys:
 1. USB/SD source: directly press numeric keys through remote to select your favorite song if you know the song number in the folder. The system will automatically play the last song of the folder if you press number excess of song number of that folder.



5 Sound unwired



2. FM source: directly press numeric keys through remote to select your favorite station if you know the station number (1-100). Or press 3 or 4 digits of frequency to play that station, for example, 1026 for 102.6 MHz station.
- K. Play/Pause: USB/SD and BT source, short press to play or pause.
- L. Prev: USB/SD and BT source, short press to select previous song.
- M. Next: USB/SD and BT source, short press to select next song.
- N. Folder / : USB/SD source, short press to select next/previous folder.
- O. : short press to Bluetooth mode and Long press entering pairing mode, the display will flash fast.
- P. Reset: short press to go to default settings.

Pairing a bluetooth device supporting NFC

If your Bluetooth device supports Near Field Communication (NFC), make sure that NFC feature is activated. Touch the NFC area of your Bluetooth device to top of F380X in order to automatically pairing.
 Note: 1. If your phone has NFC support but it is running an OS below Android 4.1, you will need to download an NFC Bluetooth APP from Google play or a similar online store.

Notice: After switch to Bluetooth source, the unit will automatically search the Bluetooth device and connect it. If the device paired before. If can't find paired device, it will enter pairing mode automatically and the LCD display will flash quickly. Bluetooth device should activate "Bluetooth" function during pairing and search for "Fenda F380X".

Compatibility

Compatible with Smartphones and tablets supporting Bluetooth (A2DP) protocol



6 Sound unwired

Specifications

- Output power(RMS): 28W+13WX2
 Speaker unit:
 Full Range Speaker: 3", Subwoofer: 5.25"
 Frequency response:
 Subwoofer: 30Hz-90Hz
 Satellite: 110Hz-20KHz
 Power supply: 220-240V~50/60Hz 0.4A
- Signal input: RCA jack
 S/N Ratio: ≥70dB
 Separation: ≥40dB
 Unit size:
 Subwoofer: W195XD260XH296MM
 Satellite: W115XD104XH176mm
 Net Weight: 4Kg

Troubleshooting

Problem	Possible Cause	Solution
F&D system does not turn on	Power cable not connected to the power outlet and/or F&D System	Check connection
Sound reproduction too soft	Volume of F&D System set too low	Increase the volume using the "Volume" button, increase the volume of the source device
F&D System does not respond to remote control.	The battery is empty	Replace battery, observe correct polarity at insertion
No sound reproduction	Source device not producing any signal.	Digital output on the source device not activated
	Cable not correctly connected/faulty cable.	Check the connection of the source device to the F&D System and change the cable if necessary.
	Distance is far from device in Bluetooth mode	Put your Bluetooth device close to the speaker
Speaker can not connect to desktop or notebook through Bluetooth	Bluetooth device not connected successfully	Please restart the speaker and try again
	No right Bluetooth driver software installed in desktop or notebook	Find desktop or notebook service to get right Bluetooth driver software and install

WARRANTY TERMS & CONDITIONS

The warranty will be effective only if the warranty card is completed and returned to the company within 14 days from the date of purchase. We guarantee the provision of free services of F&D product within the warranty period from its date of purchase from our Authorised Dealer.

- The period and conditions of our warranty service are as follows:
- The warranty covers services by our F&D Authorised Dealer. This warranty card together with the receipt must be presented when servicing is required. This warranty card is irreplaceable in the event of loss.
 - Repair services will be provided for defects arising from normal usage for the following period, commencing from the date of purchase from our F&D Authorised Dealer. (Parts would be replaced when necessary)
 - Parts:..... 1 year
 - Technical service free..... 1 year

- Under the following circumstances, service and parts will be chargeable even within the warranty period:
 - Failure to present the warranty card and receipt when servicing is required. Full particulars not clearly shown or alterations made against the actual information. For e.g.: Alteration of the date of purchase, serial numbers-altered or removed.
 - This unit being tampered with, altered in any way by any unauthorised technicians or which has been subjected to misuse, negligence or accident. This guarantee does not cover damage occurring in transit by or from the customer.
 - The defect is caused by the attack of household pests, fire, lighting, natural disasters, pollution, abnormal voltage or the usage of generator.

Shenzhen Fenda Technology Co., Ltd.
 Add : Fenda Hi-Tech Park, Zhoushi Road, Shiyuan, Baoan, Shenzhen, China
 P.C. : 518108 Http://www.fenda.com



WARRANTY CARD END-USER'S COPY WARRANTY REGISTRATION CERTIFICATE

Mr./Mrs/Ms First Name: _____
 Last Name: _____
 Address: _____
 Contact No.: _____
 Product Name: _____
 Model No.: _____
 Serial No.: _____
 Date Purchased: _____
 Invoice No.: _____
 Retail Outlet Where Purchased: _____

(Please print the name & address)

SECTION 1

WARRANTY TERMS & CONDITIONS

The warranty will be effective only if the warranty card is completed and returned to the company within 14 days from the date of purchase. We guarantee the provision of free services of F&D product within the warranty period from its date of purchase from our Authorised Dealer.

- The period and conditions of our warranty service are as follows:
- The warranty covers services by our F&D Authorised Dealer. This warranty card together with the receipt must be presented when servicing is required. This warranty card is irreplaceable in the event of loss.
 - Repair services will be provided for defects arising from normal usage for the following period, commencing from the date of purchase from our F&D Authorised Dealer. (Parts would be replaced when necessary)
 - Parts:..... 1 year
 - Technical service free..... 1 year

- Under the following circumstances, service and parts will be chargeable even within the warranty period:
 - Failure to present the warranty card and receipt when servicing is required. Full particulars not clearly shown or alterations made against the actual information. For e.g.: Alteration of the date of purchase, serial numbers-altered or removed.
 - This unit being tampered with, altered in any way by any unauthorised technicians or which has been subjected to misuse, negligence or accident. This guarantee does not cover damage occurring in transit by or from the customer.
 - The defect is caused by the attack of household pests, fire, lighting, natural disasters, pollution, abnormal voltage or the usage of generator.

Shenzhen Fenda Technology Co., Ltd.
 Add : Fenda Hi-Tech Park, Zhoushi Road, Shiyuan, Baoan, Shenzhen, China
 P.C. : 518108 Http://www.fenda.com



WARRANTY CARD DISTRIBUTOR'S COPY WARRANTY REGISTRATION CERTIFICATE

Mr./Mrs/Ms First Name: _____
 Last Name: _____
 Address: _____
 Contact No.: _____
 Product Name: _____
 Model No.: _____
 Serial No.: _____
 Date Purchased: _____
 Invoice No.: _____
 Retail Outlet Where Purchased: _____

(Please print the name & address)

SECTION 2

展开尺寸	290X110MM
成型尺寸	145X110MM
材质要求	128G铜板纸
印刷要求	单黑印刷
工艺要求	书钉
页码数(页)	

F&D 奋达科技		时间	20150717	订单号	自然切换
品牌	F&D	公司型号	F380X	客户型号	F380X
版本	A0	设计内容	说明书	料号	17.7.030.0740
电子		电声结构		项目经理	
设计者	杨改改	标准化		PLM编号	
复核		业务		核准	